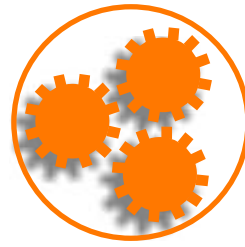


REPRINT
2008

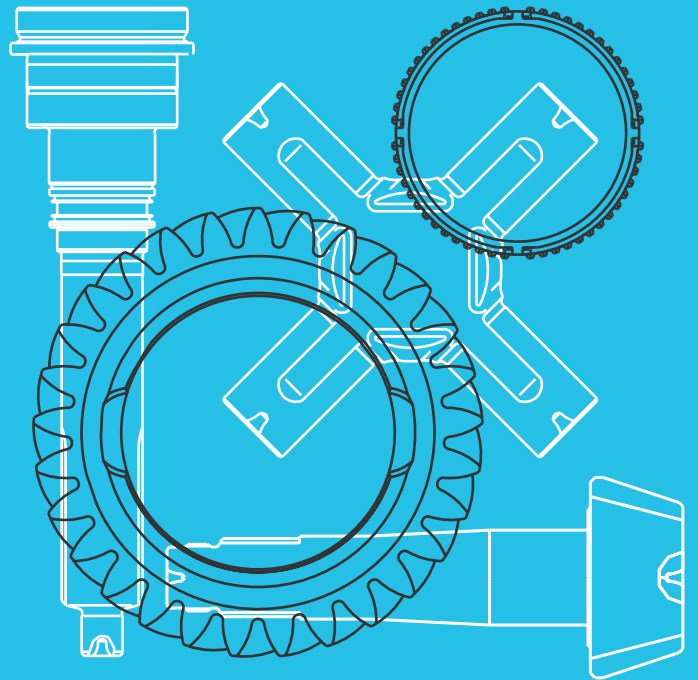


CEI

HIGH FIDELITY SPARE PARTS



Z.F. Old Range



n°
095



ISO 9001

Luglio 2008

S P A R E P A R T S



Italia

CERTIFICATO

Nr 50 100 3413 - Rev. 01

Si attesta che / *This is to certify that*

IL SISTEMA QUALITÀ DI
THE QUALITY SYSTEM OF

C.E.I.

COSTRUZIONE EMILIANA INGRANAGGI S.p.A.

SEDE PRINCIPALE: SEDE PRODUTTIVA:
VIA EMILIA 239 VIA DEL LAVORO 78
I-40011 ANZOLA EMILIA (BO) I-40056 CREPELLANO (BO)

È CONFORME AI REQUISITI DELLA NORMA
HAS BEEN FOUND TO CONFORM TO THE REQUIREMENTS OF

UNI EN ISO 9001:2000

Questo certificato è valido per il seguente campo di applicazione
This certificate is valid for the following product or service range

**Progettazione, produzione e assemblaggi di parti ed
accessori di ricambio per veicoli industriali (EA 22a)**

***Design, manufacture and assembling of spare parts and
accessories for industrial vehicles (EA 22a)***

Data/date

2006-10-11

SINCERT

ACCREDITAMENTO ORGANISMI DI CERTIFICAZIONE E ISPEZIONE

SGQ N° 049A
SGA N° 018D
SCR N° 009F
SSI N° 005G
PRD N° 081B

Membro degli Accordi di Mutuo Riconoscimento EA e IAF
Signatory of EA and IAF Mutual Recognition Agreements

Per l'Organismo di Certificazione
For the Certification Body
TÜV Italia S.r.l.


Alessio Galiazso
Technical Responsible



Rinnovo del certificato emesso per la prima volta in data 2003-10-21

"La validità del presente certificato è subordinata a sorveglianza periodica a 12 mesi e al riesame completo del sistema di gestione aziendale con periodicità triennale"

"The validity of the present certificate depends on the annual surveillance every 12 months and on the complete review of company's management system after three-years."

ELENCO CATALOGHI DISPONIBILI PER LE SEGUENTI GAMME DI NOSTRA PRODUZIONE

LIST OF THE AVAILABLE CATALOGUES FOR THE FOLLOWING PRODUCTION LINES
LISTE DES CATALOGUES DISPONIBLES POUR LES GAMMES DE PRODUCTION SUIVANTES
KATALOGE FÜR DIE FOLGENDEN PRODUKTION LINIEN
LISTADO DE LOS CATALOGOS PARA LAS LINEAS SIGUIENTES



400.001 IVECO



400.025 DAF Axles



400.050 MERCEDES



400.055 M.A.N.Axles



400.075 RENAULT V.I.



400.080 SCANIA



400.090 VOLVO



400.095 ZF Old Range



400.195 ZF Ecosplit



400.295 ZF Ecomid



400.901 Ricambi



Figures part denominations references and data contained in this catalogue are not binding.
CEI reserves the right to introduce any changes at any time without prior notice.

Le figure, le denominazioni, i riferimenti ed i dati contenuti nel presente catalogo non sono impegnativi.
La CEI si riserva di apportare in ogni momento e senza preavviso tutte le variazioni che riterrà opportune.

Les figures, les dénominations, les références et les spécifications contenues dans ce catalogue ne sont pas engageantes.
La CEI se réserve le droit d'apporter à tout moment et sans préavis les variantes éventuelles qu'elle croit utiles.

Die in diesem Katalog enthalten Abbildungen, Benennungen Zeichen und Angaben sind unverbindlich.
Die Firma CEI behält sich das Recht vor, jederzeit und ohne Viranzeige Änderungen vorzunehmen.

Las figuras, las denominaciones, las referencias y los datos contenidos en el presente catálogo no son empeñativos.
CEI puede hacer en cada momento y sin preaviso todas las variaciones que sean oportunas.

INTERCHANGEABILITY GUARANTY

Our spare parts are interchangeable with the originals ones; our products bear our trade-mark.
The original part numbers listed in this catalogue are for reference only.

GARANZIA DI INTERCAMBIABILITÀ

I nostri ricambi sono intercambiabili con gli originali; la nostra produzione riporta il nostro marchio.
I riferimenti originali sono esposti a semplice titolo indicativo.

GARANTIE D'INTERCHANGEABILITE

Nos pieces detachees sont interchangeables avec les originaux.
Nôtre production porte nôtre marque.
Les numeros originaux mentionné dans ce catalogue sont seulement à titre indicatif.

AUSTAUSCHBARKEITS-GARANTIE

Unsere ersatzteile sind austauschbar mit den Originalzahnradern.
Auf unseren Erzeugnissen ist unsere Schutzmarke aufgetragen.
Die im gegenwärtigen Kalatolg genannten Originalnummern nur zum Hinweis dienen.

GARANTIA DE INTERCAMBIABILIDAD

Nuestros recambios son intercambiables con los originales.
Todos nuestros productos, llevan grabada nuestra marca.
Las referencias originales impresas en nuestro catalogo figuran exclusivamente a titulo indicativo.

Suitable To :

ZF ÷ MERCEDES

Old Range

S5-35/2

GV80
AK-680 and AK-680+GV80
S-680 and S680+GV80

GV90
AK-690 and AK-690+GV90
S-690 and S690+GV90

5K90GP/GPA
5K91GP/GPA
5S90 GP/GPA - 5S92

GV91
5K110GP/GPA
5K110GP/GPA+GV91
5S110GP/GPA
5S110GP/GPA+GV91

GV90/1
5S111GP
5S111GP+GV90/1
5S111GPA



E' vietato a chiunque utilizzare le immagini ed i dati di questo catalogo per fini diversi dalla semplice consultazione. CEI perseguirà penalmente, nelle opportuni sedi giudiziarie, chi dovesse utilizzare servilmente, anche tramite semplice fotocopiatura, scanner ecc., le immagini di questo catalogo per propri fini.

It is forbidden to use pictures and data contained in this catalogue for aims other than reference purpose. CEI will prosecute those using the imaging contained here in for one's own purpose, even by means of photocopier or scanner, in the appropriate forum.

Il est interdit à quiconque d'utiliser les images et les informations de ce catalogue dans un but autre qu'une simple consultation. CEI poursuivra civilement et pénalement, dans les sièges juridiques opportuns, tous ceux qui utiliseront servilement, y compris par simple photocopie, scannage, etc. (même à simple titre d'exemple), les images de ce catalogue pour des objectifs autres que ceux prévus par Cei spa.

Queda prohibido a toda persona utilizar las imágenes y los datos de este catálogo con otra finalidad que no sea la de consulta. CEI perseguirá civil y penalmente, ante la jurisdicción que corresponda, a toda persona que incurra en imitación servil, incluso mediante el simple fotocopiado, escaneado, etc. (la indicación vale sólo a título de ejemplo), de las imágenes de este catálogo, con finalidades ajenas a las de CEI S.p.a.

Die Anwendung der Bilder und Daten dieses Katalogs für andere Zwecke als die des Nachschlagens ist verboten. CEI behält sich vor, gegen diejenigen bei den entsprechend zuständigen Gerichtsstellen zivil- und strafrechtlich vorzugehen, die die Bilder dieses Katalogs auch nur durch einfaches Kopieren, Einscannen, usw. für andere Zwecke als die der Firma Cei spa verwenden sollten.

suitable to :

Z.F.

Old Range

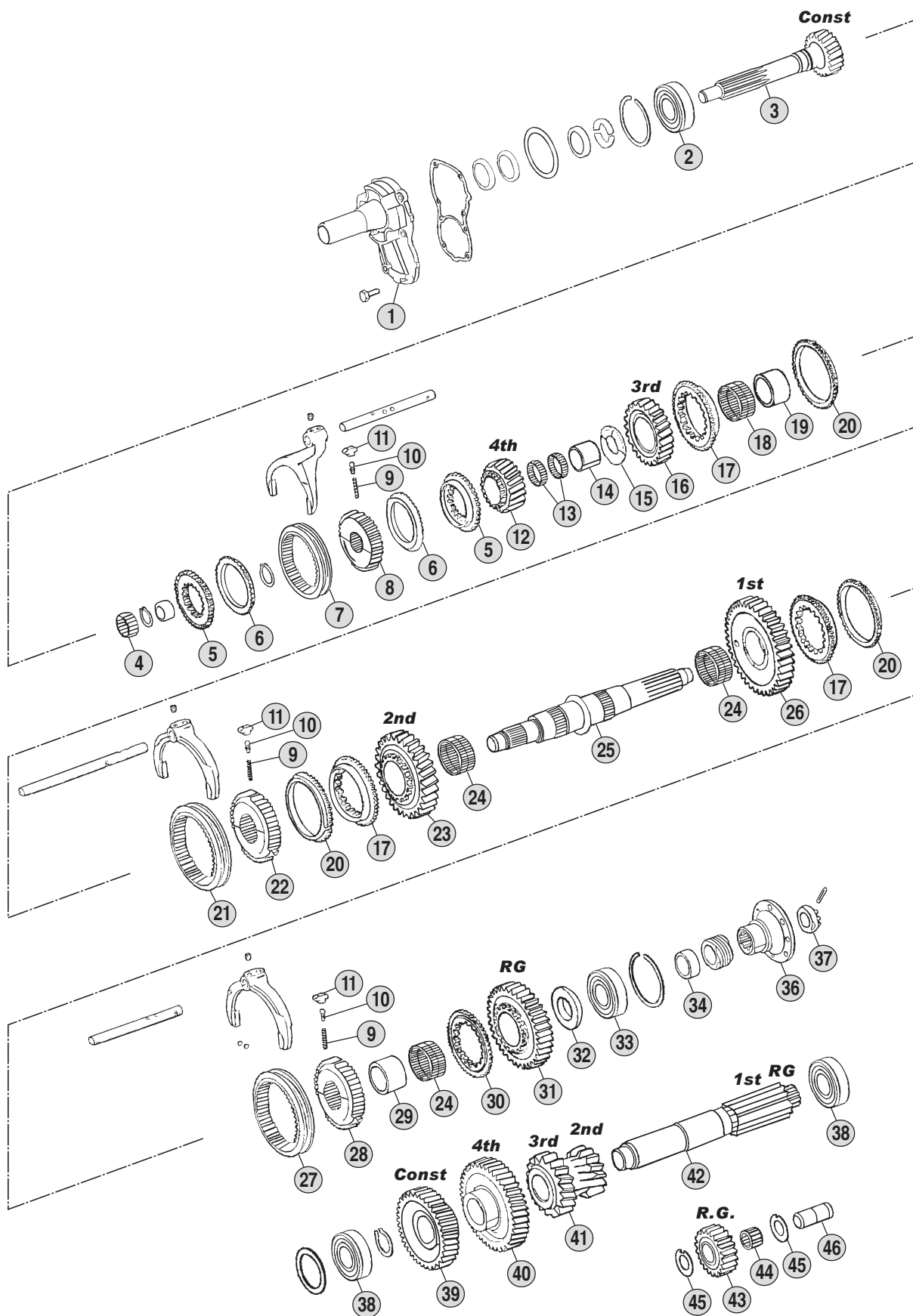
S5-35/2

(1238 xxx xxx)

Ratios

Ratio	Note
6,75-1,000	A
7,65-1,000	B
8,02-1,000	C

OLD RANGE
S5-35/2

Suitable To : **ZF****S5-35/2**

All original equipment manufacturers numbers, symbols, pictures, models and description used in this catalogue are for reference only, and it is not implied that any part listed is the product of these manufacturers. Tutti i nostri particolari non sono originali ma con essi intercambiabili. I riferimenti originali, le figure, i modelli sono esposti a semplice titolo indicativo. La nostra produzione riporta il nostro marchio.

Ratios

S5-35/2 Ratio: 6,75 - 1,00

S5-35/2 Ratio: 7,65 - 1,00

S5-35/2 Ratio: 8,02 - 1,00

R. 6,75 - 1,00
R. 7,65 - 1,00
R. 8,02 - 1,00

Fig.	CEI no.	O.E.M. Reference		Description	Q.ty	Note	Ratio					
		ZF no.	MB no.									
1		1238 302 098		Front cover	1			●				
1	128.138	1238 302 099		Front cover	1			●	●	●		
1		1238 302 138		Front cover	1			●	●	●		
1		1238 302 294		Front cover	1			●		●		
1		1238 302 174		Front cover	1			●	●	●		
1		1238 302 331		Front cover	1			●				
1		1238 302 118		Front cover	1				●			
1		1238 302 325		Front cover	1				●			
1		1238 302 340		Front cover	1				●			
1		1238 302 094		Front cover	1					●		
2	130.178	0735 410 029	001 981 2418	Roller bearing	1			●	●	●		
3		1238 302 100		Input shaft 21 T	1			●				
3		1238 302 172		Input shaft 21 T	1			●				
3		1238 302 306		Input shaft 21 T	1			●				
3		1238 302 157		Input shaft 21 T	1			●				
3		1238 302 313		Input shaft 21 T	1			●				
3		1238 302 103		Input shaft 19 T	1				●			
3		1238 302 347		Input shaft 19 T	1				●			
3	102.224	1238 302 299		Input Shaft 19 T	1				●			
3		1238 302 323		Input shaft 19 T	1				●			
3		1238 302 341		Input shaft 19 T	1				●			
3		1238 302 137		Input shaft 19 T	1				●			
3	102.146	1238 302 142		Input shaft 19 T	1					●		
3		1238 302 197		Input shaft 19 T	1					●		
3		1238 302 168		Input shaft 19 T	1					●		
3		1238 302 173		Input shaft 19 T	1					●		
3		1238 302 364		Input shaft 19 T	1					●		
3	102.225	1238 302 297		Input Shaft 19 T	1					●		
4	137.100	0735 358 014	001 981 7312	Needle bearing	1			●	●	●		
5	109.099	1238 304 383	000 262 2036	Synchronizer cone	2			●	●	●		
6	119.137	6002 304 729	000 262 2534	Synchronizer ring	2			●	●	●		
7	154.117	1262 304 036	000 262 5723	Sliding sleeve	1			●	●	●		
8	155.156	1238 304 584	000 262 4835	Synchronizer hub	1			●	●	●		
9	156.140	0732 040 409	005 993 6101	Spring D.6,5x23,5	3	x 3 PCS		●	●	●		
10	160.143	1249 304 222	000 262 0674	Plunger	3	x 3 PCS		●	●	●		
11	188.096	1238 304 394	000 262 0018	Pressure Piece	3	x 3 PCS		●	●	●		
12	145.323	1238 304 060		Gear 4th Speed 22 T	1		AF	●		●		
12	145.332	1238 304 097	000 262 1214	Gear 4th Speed 19 T	1		B	●				
12	145.457	1238 304 550		Gear 4th Speed 21 T	1		C		●			
12		1238 304 087		Gear 4th Speed 23 T	1		D		●			
12		1238 304 433		Gear 4th Speed 21 T	1		E		●			
13	137.097	0735 320 211	006 981 1610	Needle bearing	2			●	●	●		
14	117.222	1238 304 006	000 262 0850	Bush	1			●	●	●		
14		1238 304 350		Bush	1				●			
15	169.437	1238 304 223	000 262 2662	Thrust washer	1			●	●	●		

Notes

(A-B-C) Respect the coupling as the assembling.

Date

05 / 2006

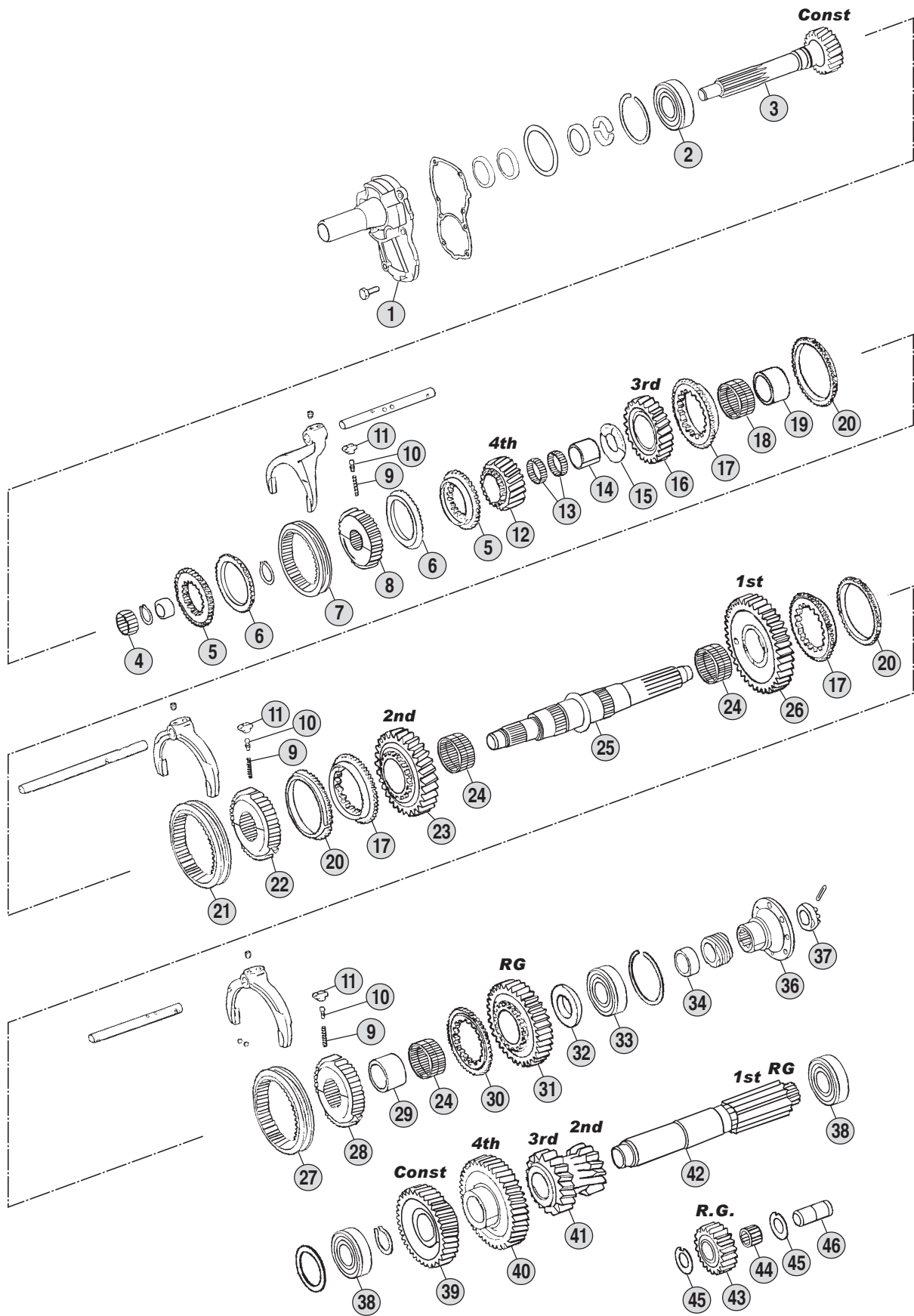
Table

0005

All original equipment manufacturers numbers, symbols, pictures, models and description used in this catalogue are for reference only, and it is not implied that any part listed is the product of these manufactures.
Tutti i nostri particolari non sono originali ma con essi intercambiabili. I riferimenti originali, le figure, i modelli sono esposti a semplice titolo indicativo. La nostra produzione riporta il nostro marchio.

Suitable To : **ZF**

S5-35/2



All original equipment manufacturers numbers, symbols, pictures, models and description used in this catalogue are for reference only, and it is not implied that any part listed is the product of these manufacturers. Tutti i nostri particolari non sono originali ma con essi intercambiabili. I riferimenti originali, le figure, i modelli sono esposti a semplice titolo indicativo. La nostra produzione riporta il nostro marchio.

Ratios

S5-35/2 Ratio: 6,75 - 1,00

S5-35/2 Ratio: 7,65 - 1,00

S5-35/2 Ratio: 8,02 - 1,00



R. 6,75 - 1,00
R. 7,65 - 1,00
R. 8,02 - 1,00

Fig.	CEI no.	O.E.M. Reference		Description	Q.ty	Note	Ratio							
		ZF no.	MB no.											
16	145.458	1238 304 297	000 262 5613	Gear 3rd Speed 22 T	1		AC	●	●					
16	145.333	1238 304 088	000 262 1013	Gear 3rd Speed 24 T	1		BD	●	●					
16		1238 304 376		Gear 3rd Speed 22 T	1		E		●					
16	145.324	1238 304 061		Gear 3rd Speed 23 T	1		F			●				
17	109.100	1290 304 264	000 262 2436	Synchronizer cone	3			●	●	●				
18	137.098	0735 320 210	006 981 1710	Needle bearing	1			●	●	●				
19	117.223	1238 304 231	000 262 1050	Bush	1			●	●	●				
20	119.072	1238 304 420	000 262 2634	Synchronizer Ring	3	Old type		●	●	●				
20	119.138	1290 304 473	000 262 7634	Synchronizer Ring	3	New type		●	●	●				
21	154.118	1238 304 390	000 262 5823	Sliding sleeve	1			●	●	●				
22	155.157	1238 304 520	000 262 5035	Synchronizer hub	1			●	●	●				
23	145.459	1238 304 532	000 262 4812	Gear 2nd Speed 28 T	1		ACE	●	●					
23	145.308	1238 304 093	000 262 0912	Gear 2nd Speed 29 T	1		BFD	●	●	●				
24	137.099	0735 320 411	007 981 1910	Needle bearing	3			●	●	●				
25	103.066	1238 304 345	000 262 1205	Main shaft	1			●	●	●				
26	145.325	1238 304 059	000 262 1811	Gear 1st Speed 39 T	1			●	●	●				
27	154.118	1238 304 390	000 262 5823	Sliding sleeve	1			●	●	●				
28	155.158	1238 204 017	000 262 4935	Synchronizer hub	1			●	●	●				
29	117.224	1238 304 232	000 262 0950	Bush	1			●	●	●				
30		1238 304 571		Synchronizer cone	1			●	●	●				
31	145.326	1238 304 227	000 262 1911	Reverse gear 35 T	1			●	●	●				
32	169.438	1238 304 317	000 262 2562	Washer	1			●	●	●				
33	130.267	0735 410 034	005 981 1205	Bearing D.45x100x25	1			●	●	●				
34	169.459	1203 304 037	000 262 1353	Shim	1			●						
36		1238 304 336		Output flange	1			●	●	●				
36	155.155	1238 304 334		Output flange	1			●	●	●				
36		1238 304 405		Output flange	1			●	●	●				
36		1238 304 332		Output flange	1			●	●	●				
36		1238 304 349		Output flange	1			●	●	●				
36		1238 304 333		Output flange	1			●	●	●				
36		1238 304 348		Output flange	1			●	●	●				
37	187.453	1203 304 020	325 990 0055	Nut	1			●	●	●				
38		0750 117 664		Roller bearing	2			●	●	●				
39		1238 303 098		Constant gear 40 T	1			●						
39	146.372	1238 303 061	000 263 2010	Constant gear 41 T	1				●					
39	146.243	1238 303 054		Constant gear 43 T	1					●				
40	146.244	1238 303 055		Gear 4th Speed 31 T	1		AF	●		●				
40		1238 303 099		Gear 4th speed 24 T	1		B	●						
40		1238 303 062		Gear 4th Speed 30 T	1		D		●					
40	146.371	1238 303 069		Gear 4th Speed 32 T	1		CE		●					
41	143.091	1238 303 110		Double gear 15/21 T	1		ACE	●	●					
41		1238 303 117		Double gear 14-19 T	1		BD	●	●					
41	143.071	1238 303 112		Double gear 14-19 T	1		F			●				
42	105.071	1238 203 019	000 263 1502	Countershaft 11 T	1			●	●	●				
43	147.103	1238 305 018	000 263 1131	Reverse gear 20 T	1			●	●	●				

Notes

(A-B-C) Respect the coupling as the assembling.

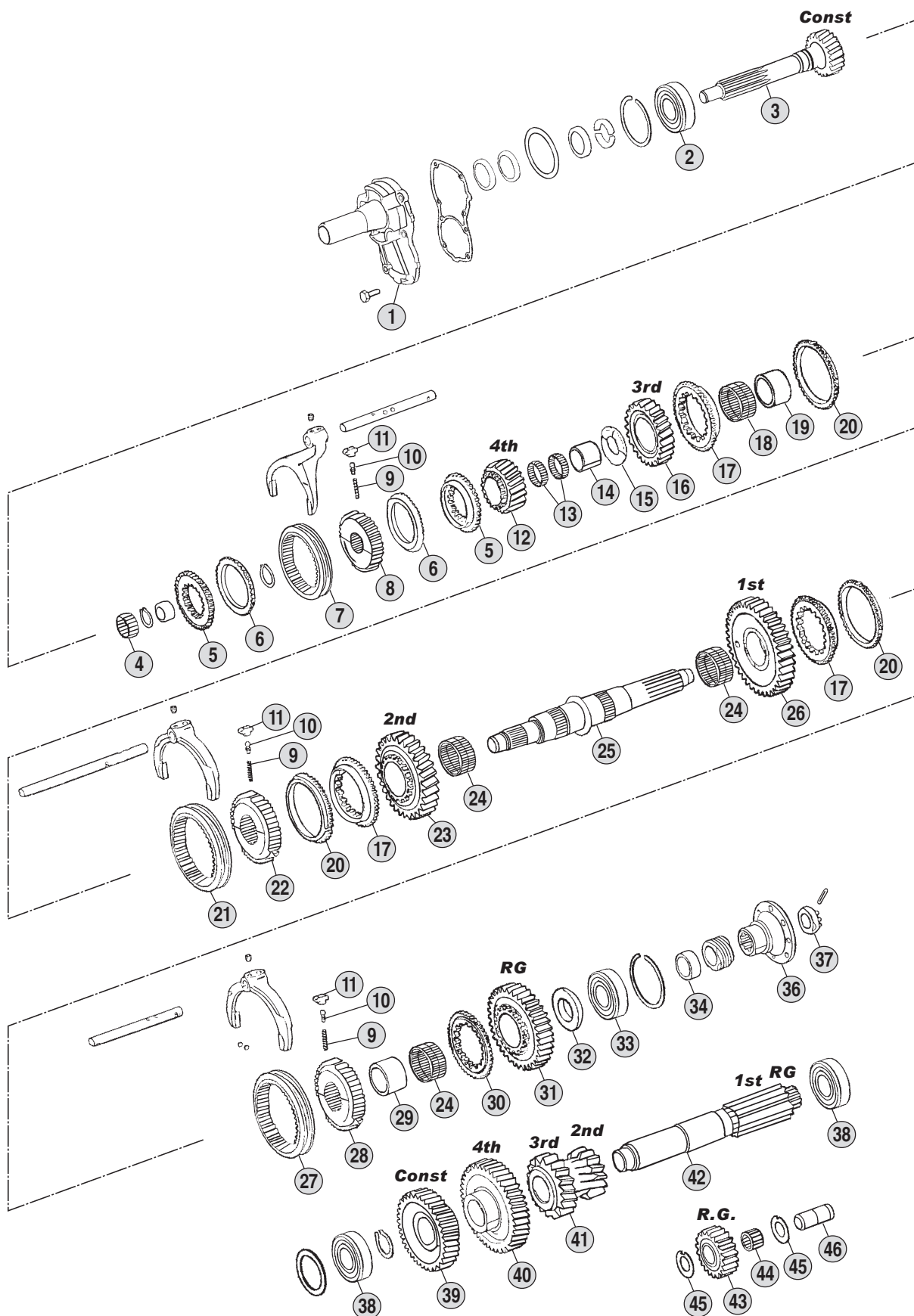
Date

05 / 2006

Table

0005

All original equipment manufacturers numbers, symbols, pictures, models and description used in this catalogue are for reference only, and it is not implied that any part listed is the product of these manufactures.
Tutti i nostri particolari non sono originali ma con essi intercambiabili. I riferimenti originali, le figure, i modelli sono esposti a semplice titolo indicativo. La nostra produzione riporta il nostro marchio.

Suitable To : **ZF****S5-35/2**

All original equipment manufacturers numbers, symbols, pictures, models and description used in this catalogue are for reference only, and it is not implied that any part listed is the product of these manufacturers. Tutti i nostri particolari non sono originali ma con essi intercambiabili. I riferimenti originali, le figure, i modelli sono esposti a semplice titolo indicativo. La nostra produzione riporta il nostro marchio.

Ratios

S5-35/2 Ratio: 6,75 - 1,00

S5-35/2 Ratio: 7,65 - 1,00

S5-35/2 Ratio: 8,02 - 1,00

suitable to :

Z.F.
Old Range
GV80
(1250 xxx xxx)

Ratios

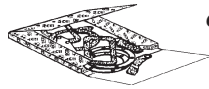
Ratio	Note
6,70-0,690	A
7,67-0,780	B
8,90-0,840	C
9,00-0,835	D

OLD RANGE
GV80

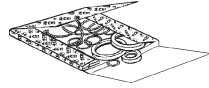
Suitable To : **ZF**

GV80

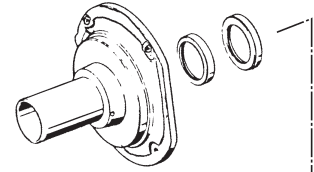
Kits



**Gasket Kit
24**

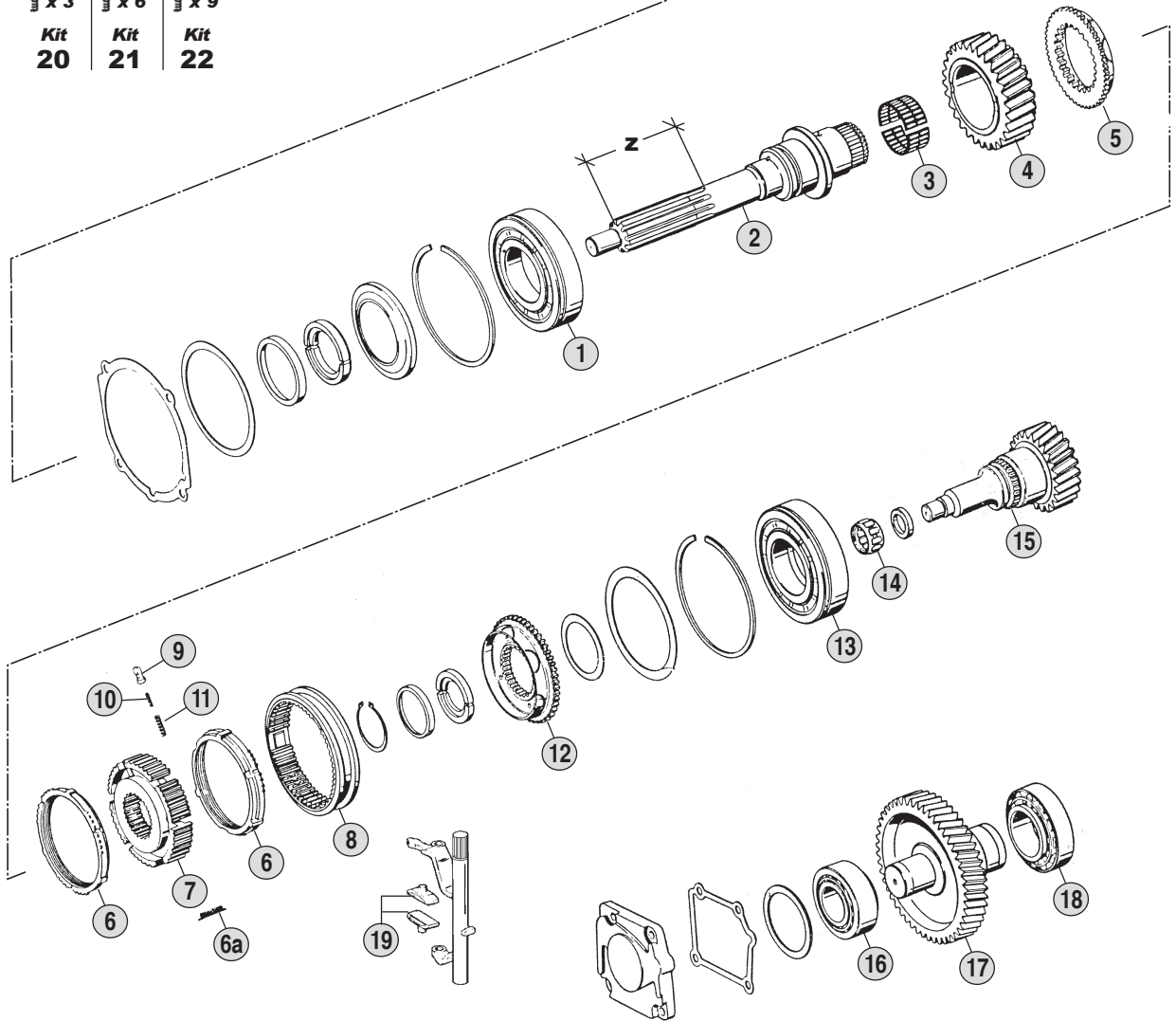


**Oil Seal Kit
23**



Springs & Slides Kits

x 3	x 6	x 9
x 3	x 6	x 9
x 3	x 6	x 9
Kit 20	Kit 21	Kit 22



All original equipment manufacturers numbers, symbols, models and description used in this catalogue are for reference only, and it is not implied that any part listed is the product of these manufacturers. Tutti i nostri particolari non sono originali ma con essi intercambiabili. I riferimenti originali, le figure, i modelli sono esposti a semplice titolo indicativo. La nostra produzione riporta il nostro marchio.

Ratios

GV80 A : 6,70 - 0,690 B : 7,67 - 0,780 C : 8,90 - 0,840 D : 9,00 - 0,835

Fig.	CEI no.	O.E.M. Reference		Description	Q.ty	Note	Ratio	GV80				
		ZF no.	MB no.									
1	130.699	0750 118 081	005 981 8701	Bearing D.70x150x35	1			●				
2	102.145	1250 312 291		Input Shaft	1	Z=83 mm		●				
2	102.165	1250 312 171	336 264 0106	Input Shaft	1	Z=88 mm		●				
2		1250 312 172		Input shaft	1	Z=105 mm		●				
2	103.049	1250 312 247	000 264 1706	Input Shaft	1	Z=116 mm		●				
3	137.108	0750 115 089	011 981 1210	Needle Cage D.68x74x45	1			●				
4		1250 312 083		Gear 23 T	1		A	●				
4		1250 312 077		Gear 25 T	1		B	●				
4	146.123	1250 312 161	366 262 0310	Gear 25 T	1		CD	●				
5	109.037	1250 312 366	000 264 0846	Synchronizer Cone	1			●				
6	119.080	1250 304 417	000 262 1934	Synchronizer Ring	2			●				
6	119.069	1240 304 384	000 262 0434	Synchronizer Ring	2	Old (*)		●				
6A	156.025	0732 020 030	336 264 0893	Spring L=31,50	3	Old		●				
7	155.090	1250 312 323	000 262 3635	Synchronizer Hub	1			●				
8	154.064	1240 304 272	000 262 0623	Sliding Sleeve	1			●				
8		1240 312 073	336 264 0023	Sliding sleeve	1	Old (**)		●				
9	160.116	1240 304 278	336 264 0239	Pressure Piece	3			●				
10	156.036	0732 040 386	336 264 0793	Inner Spring De.3x34	3			●				
11	156.037	0732 040 385	336 264 0693	Outer Spring De.6x34	3			●				
12	109.038	1250 312 364	000 264 0746	Synchronizer Cone	1			●				
13	130.258	0750 118 082	005 981 8501	Bearing D.70x150x35	1			●				
14	137.268	0735 358 032	002 981 3410	Needle Bearing D.22x38x19	1			●				
15		1250 312 124		Intermediate shaft 25 T	1		A	●				
15	105.041	1250 312 130	336 264 0205	Intermediate Shaft 23 T	1		B	●				
15		1250 312 308		Intermediate shaft 22 T	1		C	●				
15	105.040	1250 312 126	366 264 0105	Intermediate Shaft 19 T	1		D	●				
16	130.234	0750 117 083	009 981 3301	Bearing D.50,8x95,2x27,7	1			●				
17		1250 312 271		Gear 37 T	1		A	●				
17		1250 312 266		Gear 46 T	1		B	●				
17	146.124	1250 312 270	000 262 1510	Gear 45 T	1		CD	●				
18		1246 203 011		Bearing	1			●				
19	141.146	1268 312 057	000 264 0749	Slide	2			●				
20	198.339	1268 298 938	CEI 198339	Spring Slide Set	1			●				
21	198.564	CEI 198564		Spring Slide Set	1			●				
22	198.842	1295 298 933		Spring Slide Set	1			●				
23	198.417	1250 298 907	CEI 198417	Oil Seal Kit	1			●				
24	198.418	1250 298 910	CEI 198418	Gasket Kit	1			●				

Notes

- (*) Old Version with 3 spring holes. To be used with spring 156.025 (fig. 6A)
 (**) Old Version with bearing instead of bronze slide. To be used with 1st gen. only.
 Do no Mix

Date

05 / 2006

Table

0010

All original equipment manufacturers' numbers, symbols, pictures, models and description used in this catalogue are for reference only, and it is not implied that any part listed is the product of these manufacturers.
 Tutti i nostri particolari non sono originali ma con essi intercambiabili. I riferimenti originali, le figure, i modelli sono esposti a semplice titolo indicativo. La nostra produzione riporta il nostro marchio.

suitable to :

Z.F.**Old Range****AK6-80+GV80****(1250 xxx xxx)****Ratios**

Ratio	Note
6,70-0,690	A
7,67-0,780	B
9,00-0,835	D

AK6-80**(1250 xxx xxx)****Ratios**

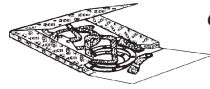
Ratio	Note
6,70-0,730	E
6,70-0,820	F
7,53-0,820	G
9,00-1,000	H

OLD RANGE
AK6-80 & GV80

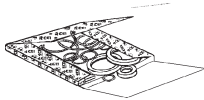
Suitable To: **ZF**

AK6-80 and **AK6-80+GV**

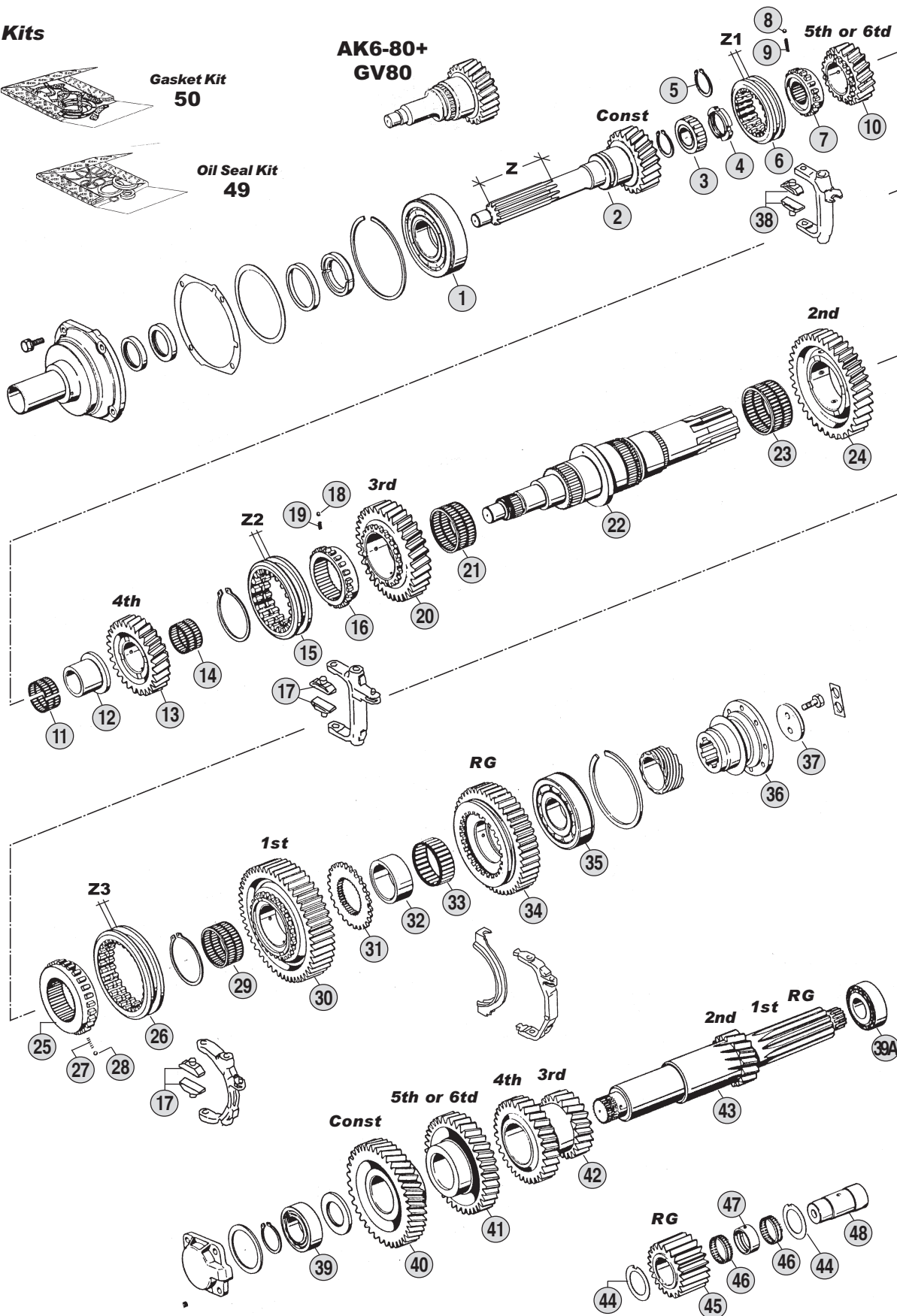
Kits



Gasket Kit 50



Oil Seal Kit 49



Ratios

AK+GV	A: 6,70 - 0,690	B: 7,67 - 0,780	C:	D: 9,00 - 0,835
AK6-80	E: 6,70 - 0,730	F: 6,70 - 0,820	G: 7,53 - 0,820	H: 9,00 - 1,000



All original equipment manufacturers' numbers, symbols, pictures, models and description used in this catalogue are for reference only, and it is not implied that any part listed is the product of these manufactures. Tutti i nostri particolari non sono originali ma con essi intercambiabili. I riferimenti originali, le figure, i modelli sono esposti a semplice titolo indicativo. La nostra produzione riporta il nostro marchio.

AK6-80+GV80
AK6-80

Fig.	CEI no.	O.E.M. Reference		Description	Q.ty	Note	Ratio						
		ZF no.	MB no.					AK6-80+GV80	AK6-80				
1	130.258	0750 118 082	005 981 8501	Bearing D.70x150x35	1			●					
2	102.073	1250 302 199	343 262 0102	Input Shaft 23 T	1	Z=90 mm	E	●					
2	102.362	1250 302 287		Input Shaft 23 T	1	Z=127 mm	E	●					
2	102.188	1250 302 259		Input shaft 23 T	1	Z=115 mm	EF	●					
2	102.363	1250 302 187		Input Shaft 21 T	1		G(#)	●					
2	102.364	1250 302 452		Input Shaft 21 T	1		G(@)	●					
2	102.140	1250 302 192		Input shaft 19 T	1	Z=104 mm	H(#)	●					
2	102.080	1250 302 196	366 262 0102	Input Shaft 19 T	1	Z=90 mm	H(#)	●					
2	102.160	1250 302 258	000 262 2502	Input shaft 19 T	1	Z=112 mm	H(#)	●					
2	102.365	1250 302 294		Input Shaft 19 T	1	Z=82 mm	H(#)	●					
2		1250 302 464		Input shaft 19 t.	1		H(@)	●					
3	130.691	0750 118 090	006 981 4701	Bearing D.30x60x28	1			●	●				
4	187.245	0737 502 168	343 990 0360	Grooved nut M40x1,5	1	Old Type		●	●				
5	111.018	0630 531 057	001 994 8841	Snap Ring M45x2,5	1	New Type		●	●				
6	154.099	1250 304 141	343 262 0323	Sliding Sleeve	1	Z1=12,0 mm (*)		●	●				
6	154.053	1250 304 362	000 262 2323	Sliding Sleeve	1	Z1=19,50 mm		●	●				
6	154.053	1250 304 362	000 262 2323	Sliding Sleeve	1	Z1=19,50 mm	GH(#)	●	●				
6	154.100	1250 304 440	000 262 3723	Sliding Sleeve	1	Z1=19,50 mm	GH(@)	●	●				
7	155.076	1250 304 185	343 262 0427	Synchronizer Hub	1			●	●				
7	155.076	1250 304 185	343 262 0427	Synchronizer Hub	1		GH(#)	●	●				
7	155.143	1272 304 124	000 262 1927	Synchronizer Hub	1		GH(@)	●	●				
8	171.014	0635 460 010	002 981 5685	Ball D.6	3			●	●				
9	156.150	1203 321 009	002 993 1801	Spring De.5,50x12	3			●	●				
10	145.203	1250 304 127	343 262 0115	Gear 6th Speed 22 T	1		AF	●	●				
10	145.841	1250 304 404		Gear 6th Speed 19 T	1		B	●	●				
10	145.216	1250 304 210	366 262 0115	Gear 5th Speed 24 T	1		D	●	●				
10	145.197	1250 304 384	000 262 1515	Gear 6th Speed 19 T	1		E	●	●				
10	145.197	1250 304 384	000 262 1515	Gear 6th Speed 19 T	1		G(#)	●	●				
10		1250 304 490		Gear 6th Speed 19 T	1		G(@)	●	●				
10	145.216	1250 304 210	366 262 0115	Gear 5th Speed 24 T	1		H(#)	●	●				
10		1250 304 461		Gear 5th Speed 24 T	1		H(@)	●	●				
11	137.091	0735 320 314	005 981 0510	Needle Cage D.57x63x42,5	1			●	●				
12	117.100	1250 304 142	343 262 0250	Bush	1			●	●				
13	145.842	1250 304 172		Gear 4th Speed 28 T	1		A	●	●				
13	145.198	1250 304 178	343 262 0114	Gear 4th Speed 26 T	1		BEF	●	●				
13	145.217	1250 304 217	366 262 0114	Gear 4th Speed 26 T	1		D	●	●				
13	145.198	1250 304 178	343 262 0114	Gear 4th Speed 26 T	1		G(#)	●	●				
13		1250 304 488		Gear 4th Speed 26 T	1		G(@)	●	●				
13	145.217	1250 304 217	366 262 0114	Gear 4th Speed 26 T	1		H(#)	●	●				
13		1250 304 487		Gear 4th Speed 26 T	1		H(@)	●	●				
14	137.092	0750 115 284	013 981 9110	Needle Bearing D.58x65x35,50	1			●	●				
15	154.057	1250 304 306	343 262 0423	Sliding Sleeve	1	Z2=16,30 mm (**)		●	●				
15	154.056	1250 304 233	000 262 1023	Sliding Sleeve	1	Z2=19,50 mm		●	●				
15	154.056	1250 304 233	000 262 1023	Sliding Sleeve	1	L2=19,50 mm	GH(#)	●	●				
15	154.101	1250 304 441	000 262 3823	Sliding Sleeve	1	L2=19,50 mm	GH(@)	●	●				

Notes

(# - @) Different coupling cone versions.To be coupled together. **DO NO MIX**The new version (@) **dont use** balls and springs

(*) Old version with smaller sliding block. Use Sleeve 154.099 with sliding 141.062

(**) Old version without sliding block.

Date

05 / 2006

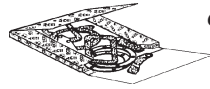
Table

0020

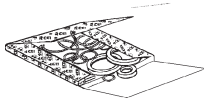
Suitable To: **ZF**

AK6-80 and **AK6-80+GV**

Kits

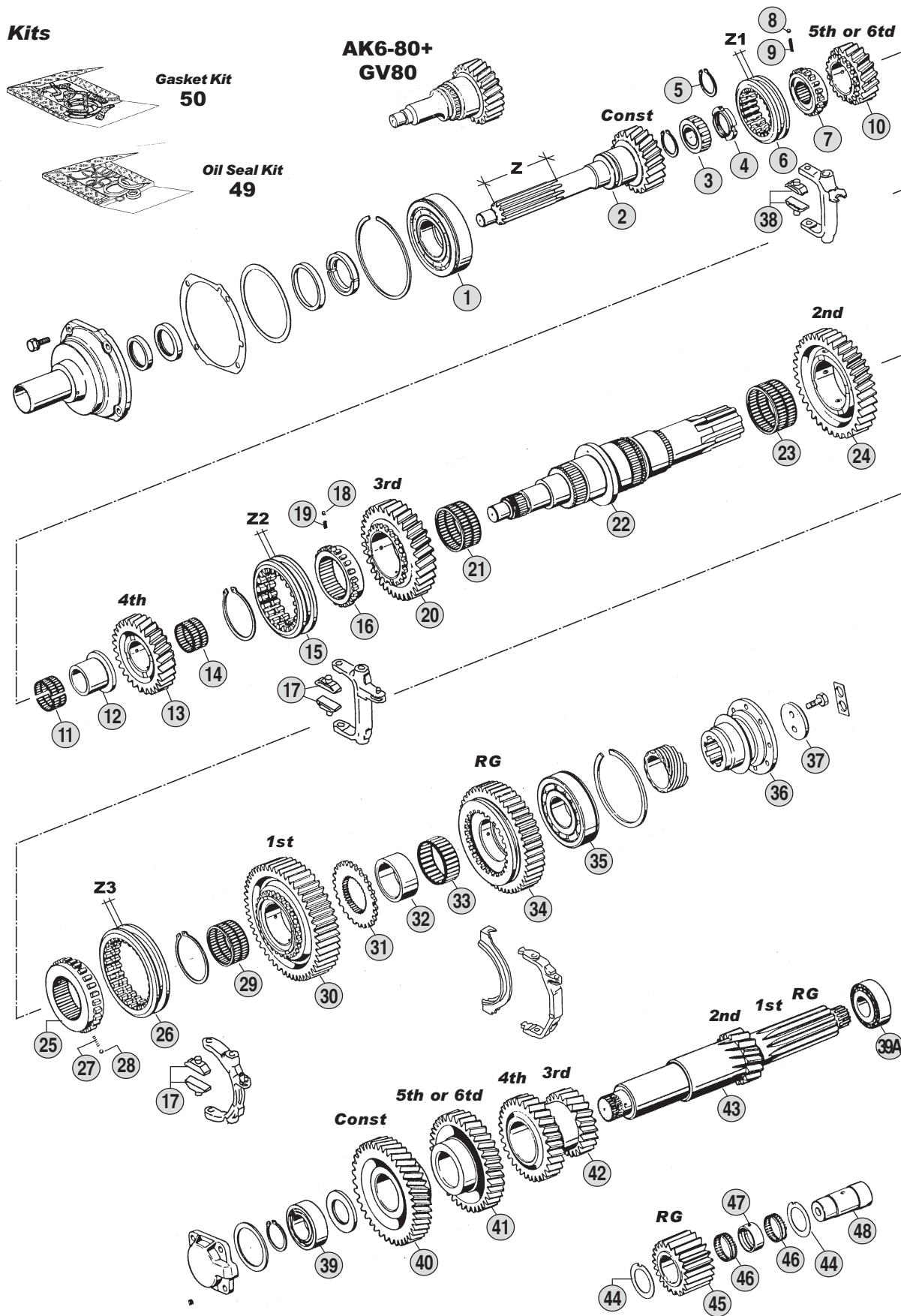


Gasket Kit 50



Oil Seal Kit 49

AK6-80+GV80



Ratios

AK+GV	A: 6,70 - 0,690	B: 7,67 - 0,780	C:	D: 9,00 - 0,835
AK6-80	E: 6,70 - 0,730	F: 6,70 - 0,820	G: 7,53 - 0,820	H: 9,00 - 1,000



All original equipment manufacturers' numbers, symbols, pictures, models and description used in this catalogue are for reference only, and it is not implied that any part listed is the product of these manufactures. Tutti i nostri particolari non sono originali ma con essi intercambiabili. I riferimenti originali, le figure, i modelli sono esposti a semplice titolo indicativo. La nostra produzione riporta il nostro marchio.

AK6-80+GV80
AK6-80

Fig.	CEI no.	O.E.M. Reference		Description	Q.ty	Note	Ratio						
		ZF no.	MB no.					AK6-80+GV80	AK6-80				
16	155.077	1250 304 234	343 262 0527	Synchronizer Hub	1			●	●				
16	155.077	1250 304 234	343 262 0527	Synchronizer Hub	1		GH(#)		●				
16	155.226	1250 304 454	000 262 2427	Synchronizer Hub	1		GH(@)		●				
17	141.068	1295 306 132	000 268 0849	Bronze Slide	2			●	●				
18	171.014	0635 460 010	002 981 5685	Ball D.6	3			●	●				
19	156.124	0732 040 497	343 264 0993	Spring De.6x7	3			●	●				
20	145.843	1250 304 173		Gear 3rd Speed 34 T	1		A	●					
20	145.199	1250 304 179	343 262 0113	Gear 3rd Speed 32 T	1		BDEF	●	●				
20	145.199	1250 304 179	343 262 0113	Gear 3rd Speed 32 T	1		GH(#)		●				
20		1250 304 453		Gear 3rd Speed 32 T	1		GH(@)		●				
21	137.093	0750 115 134	012 981 5910	Needle Cage D.80x88x39,50	1			●	●				
22	103.076	1250 304 129	343 262 0105	Main Shaft (8 Splines)	1	Old type w/nut		●	●				
22	103.041	1250 304 474	000 262 2405	Main Shaft (8 Splines)	1	New Type w/seeger		●	●				
22	103.040	1250 304 388	000 262 1405	Main Shaft (34 Splines)	1	Old type w/nut		●	●				
22	103.048	1250 304 473	000 262 2305	Main Shaft (34 Splines)	1	New type w/seeger		●	●				
23	137.094	0750 115 282	013 981 9210	Needle Cage D.95x103x39,5	1			●	●				
24	145.200	1250 304 029	343 262 0012	Gear 2nd Speed 36 T	1		ABDEF	●	●				
24	145.200	1250 304 029	343 262 0012	Gear 2nd Speed 36 T	1		GH(#)		●				
24		1250 304 448		Gear 2nd Speed 36 T	1		GH(@)		●				
25	155.078	1250 304 235	000 262 1527	Synchronizer Hub	1			●	●				
25	155.078	1250 304 235	000 262 1527	Synchronizer Hub	1		GH(#)		●				
25		1250 304 451		Hub	1		GH(@)		●				
26	154.058	1250 304 004	343 262 0023	Sliding Sleeve	1	Z3=16,30 mm (**)		●	●				
26	154.054	1250 304 236	000 262 1123	Sliding Sleeve	1	Z3=19,50 mm		●	●				
26	154.054	1250 304 236	000 262 1123	Sliding Sleeve	1	Z3=19,50 mm	GH(#)		●				
26	154.367	1246 304 237	000 262 5223	Sliding Sleeve	1	Z3=19,50 mm	GH(@)		●				
27	156.150	1203 321 009	002 993 1801	Spring De.5,50x12	3			●	●				
28	171.014	0635 460 010	002 981 5685	Ball D.6	3			●	●				
29	137.095	0750 115 283	002 981 1710	Needle Cage D.80x88x46	1			●	●				
30	145.201	1250 304 240	336 262 0011	Gear 1st Speed 50 T	1		ABDEF	●	●				
30	145.201	1250 304 240	336 262 0011	Gear 1st Speed 50 T	1		GH(#)		●				
30		1250 304 446		Gear 1st Speed 50 T	1		GH(@)		●				
31	109.030	1250 304 006	343 262 0036	Follower Ring	1			●	●				
32	117.101	0730 160 344	343 262 0350	Bush D.70x84x48,70	1			●	●				
33	137.096	0735 320 154	001 981 7410	Needle Cage D.84x96x36	1			●	●				
34	147.066	1250 304 140	343 262 0211	Reverse Gear 47 T	1			●	●				
35	130.264	0635 333 049	000 981 9025	Bearing D.70x150x35	1			●	●				
36	155.075	1250 304 107	343 262 0145	Output Flange D.150	1	8 spl.		●	●				
36	155.079	1250 204 008	366 260 0017	Output Flange D.165	1	8 spl.		●	●				
36	155.102	1268 304 136	000 262 0745	Output Flange D.150	1	34 spl.		●	●				
36	197.067	1268 304 148	000 264 1445	Output Flange D.165	1	34 spl.		●	●				
37	188.070	1240 304 117	343 262 0062	Stop Washer	1			●	●				
38	141.068	1295 306 132	000 268 0849	Bronze Slide	1			●	●				
38	141.062	1240 306 234	000 265 0549	Slide	1	Old (*)		●	●				
39	130.234	0750 117 083	009 981 3301	Bearing D.50,8x95,2x27,7	1			●	●				

Notes

- (# - @) Different coupling cone versions.To be coupled together. **DO NO MIX**
The new version (@) **dont use** balls and springs
(*) Old version with smaller sliding block. Use Sleeve 154.099 with sliding 141.062
(**) Old version without sliding block.

Date

05 / 2006

Table

0020

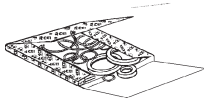
Suitable To: **ZF**

AK6-80 and **AK6-80+GV**

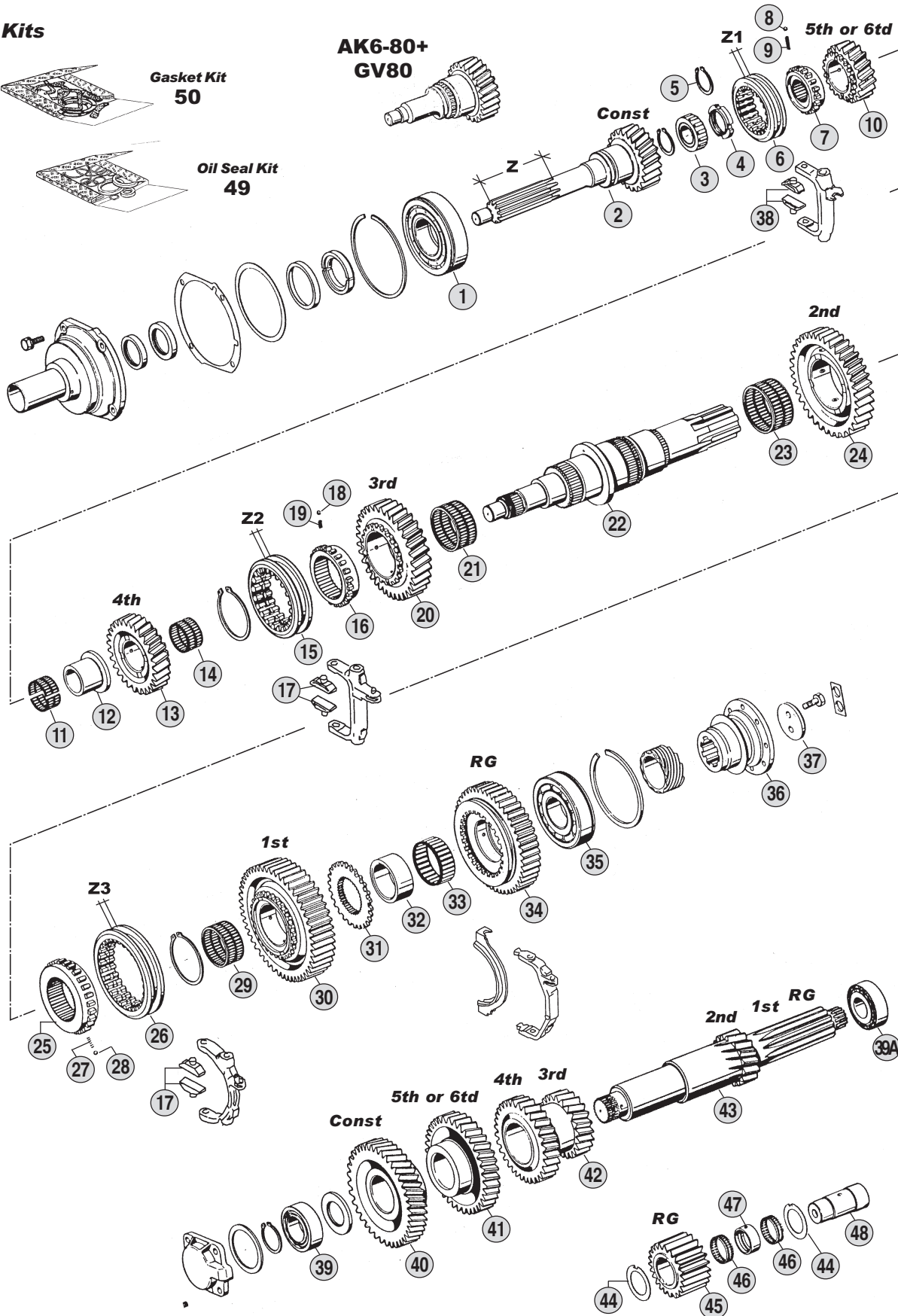
Kits



Gasket Kit 50



Oil Seal Kit 49



Ratios

AK+GV	A : 6,70 - 0,690	B : 7,67 - 0,780	C :	D : 9,00 - 0,835
AK6-80	E : 6,70 - 0,730	F : 6,70 - 0,820	G : 7,53 - 0,820	H : 9,00 - 1,000



All original equipment manufacturers' numbers, symbols, pictures, models and description used in this catalogue are for reference only, and it is not implied that any part listed is the product of these manufactures. Tutti i nostri particolari non sono originali ma con essi intercambiabili. I riferimenti originali, le figure, i modelli sono esposti a semplice titolo indicativo. La nostra produzione riporta il nostro marchio.

AK6-80+GV80
AK6-80

Fig.	CEI no.	O.E.M. Reference		Description	Q.ty	Note	Ratio						
		ZF no.	MB no.										
39A	130.233	1246 203 008	001 980 9602	Roller Bearing D.44,45x95,25x28	1			●	●				
40	146.591	1250 303 116		Constant Gear 34 T	1		A	●					
40	146.098	1250 303 111	000 263 1610	Constant Gear 37 T	1		BEF	●	●				
40	146.103	1250 303 112	000 263 1710	Constant Gear 41 T	1		DH	●	●				
40	146.592	1250 303 113	000 263 1810	Constant Gear 38 T	1		G		●				
41	146.102	1250 303 048	343 263 0215	Gear 6th Speed 43 T	1		AF	●	●				
41	146.593	1250 303 060		Gear 6th Speed 39 T	1		B	●					
41	146.104	1250 303 074	366 263 0015	Gear 5th Speed 36 T	1		DH	●	●				
41	146.099	1250 303 058	336 263 0115	Gear 6th Speed 42 T	1		EG		●				
42	143.126	1250 303 049		Double Gear 3rd/4th-21/26 T	1		A	●					
42	143.035	1250 303 056	343 263 0114	Double Gear 3rd/4th-22/29 T	1		BEFG	●	●				
42	143.037	1250 303 062	366 263 0114	Double Gear 3rd/4th-22/27 T	1		DH	●	●				
43	105.038	1250 203 002	000 260 0224	Countershaft 12/15 T	1			●	●				
44	169.234	0730 150 064	343 263 0062	Thrust Washer	2			●	●				
45	147.065	1250 305 033	000 263 2631	Reverse Gear 21 T	1			●	●				
46	137.007	0750 115 011	010 981 1010	Needle Cage D.45x53x21	2			●	●				
47	169.443	1250 305 006	000 263 0650	Spacer	1			●	●				
48	107.072	1250 305 003	343 263 0030	Reverse Pin	1			●	●				
49	198.417	1250 298 907	CEI 198417	Oil Seal Kit	1			●	●				
50	198.418	1250 298 910	CEI 198418	Gasket Kit	1			●	●				

AK6-80
1250 xxx xxx

All original equipment manufacturers' numbers, symbols, pictures, models and description used in this catalogue are for reference only, and it is not implied that any part listed is the product of these manufactures.
Tutti i nostri particolari non sono originali ma con essi intercambiabili. I riferimenti originali, le figure, i modelli sono esposti a semplice titolo indicativo. La nostra produzione riporta il nostro marchio.

Notes

- (# - @) Different coupling cone versions. To be coupled together. **DO NO MIX**
The new version (@) **dont use** balls and springs
(*) Old version with smaller sliding block. Use Sleeve 154.099 with sliding 141.062
(**) Old version without sliding block.

Date

05 / 2006

Table**0020**

suitable to :

Z.F.**Old Range*****S6-80+GV80******(1250 xxx xxx)******Ratios***

Ratio	Note
6,70-0,690	A
7,67-0,780	B
8,90-0,840	C
9,00-0,835	D

S6-80***(1250 xxx xxx)******Ratios***

Ratio	Note
6,10-0,660	E
6,99-0,820	F
6,70-0,730	G
6,70-0,780	H
6,70-0,820	L
7,41-1,000	M
7,53-0,820	N
8,90-1,000	P
9,00-1,000	Q
9,00-1,000	R

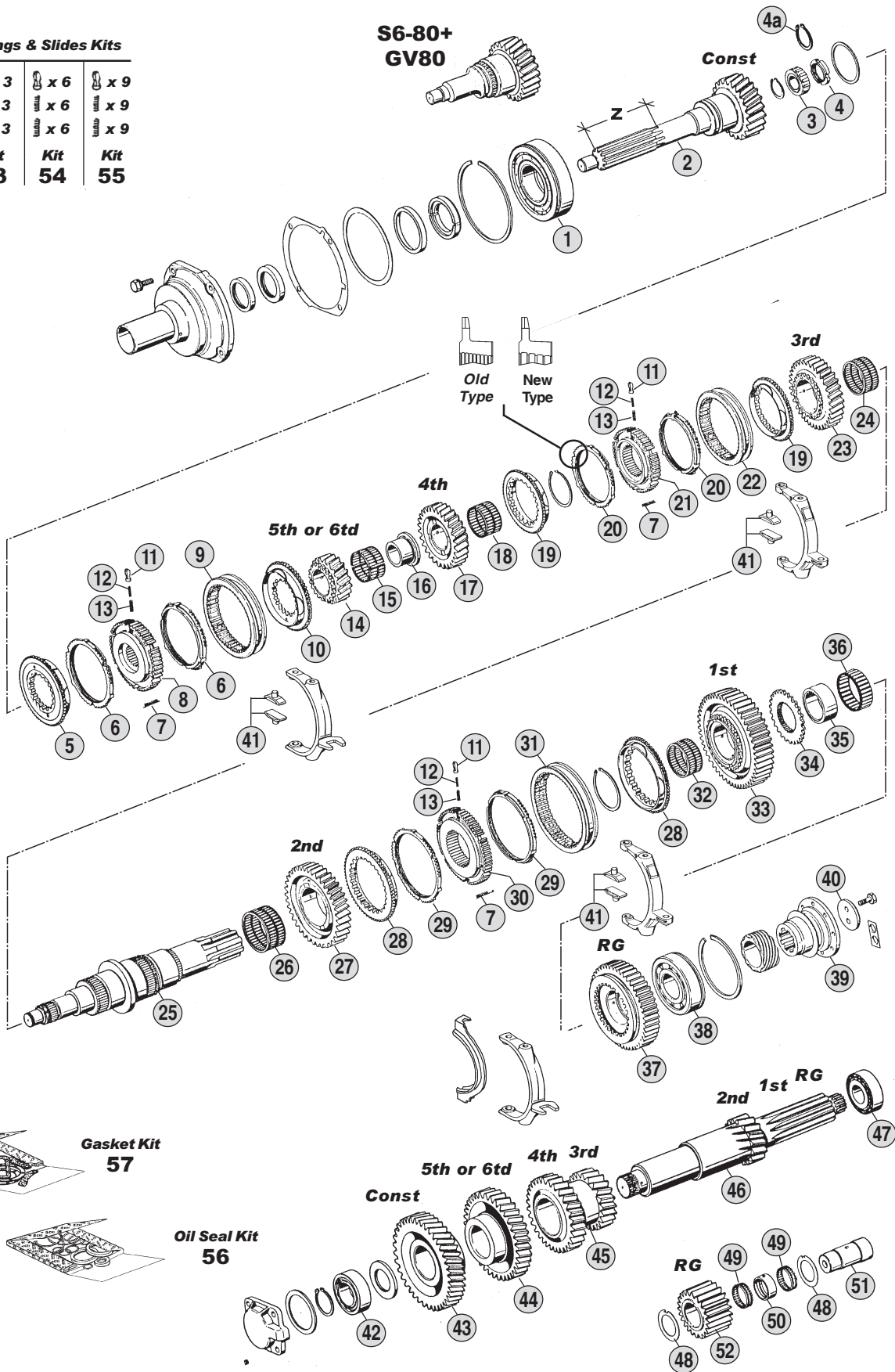
OLD RANGE
S6-80 & GV80

Suitable To : **ZF**

S6-80 and **S6-80+GV**

Springs & Slides Kits

x 3	x 6	x 9
x 3	x 6	x 9
x 3	x 6	x 9
Kit 53	Kit 54	Kit 55



Kits



Gasket Kit 57



Oil Seal Kit 56

Ratios

S680+GV	A : 6,70 - 0,690	B : 7,67 - 0,780	C : 8,90 - 0,840	D : 9,00 - 0,835
S6-80	E : 6,10 - 0,660	F : 6,99 - 0,820	G : 6,70 - 0,730	H : 6,70 - 0,780
	M : 7,41 - 1,000	N : 7,53 - 0,820	P : 8,90 - 1,000	Q : 9,00 - 1,000
			R : 9,00 - 1,000	



All original equipment manufacturers' numbers, symbols, pictures, models and description used in this catalogue are for reference only, and it is not implied that any part listed is the product of these manufactures. Tutti i nostri particolari non sono originali ma con essi intercambiabili. I riferimenti originali, le figure, i modelli sono esposti a semplice titolo indicativo. La nostra produzione riporta il nostro marchio.

Fig.	CEI no.	O.E.M. Reference		Description	Q.ty	Note	Ratio	S6-80+GV80					
		ZF no.	MB no.					S6-80					
1	130.258	0750 118 082	005 981 8501	Bearing D.70x150x35	1			●					
2	102.139	1250 302 303		Input Shaft 24 T	1	Z=112 mm	E	●					
2	102.366	1250 302 392		Input Shaft 28 T	1		F	●					
2	102.362	1250 302 287		Input Shaft 23 T	1	Z=127 mm	G	●					
2	102.188	1250 302 259		Input shaft 23 T	1	Z=115 mm	GHL	●					
2	102.367	1250 302 186		Input Shaft 23 T	1	Z=102 mm	L	●					
2	102.211	1250 302 378		Input Shaft 27 T	1	Z=127 mm	M	●					
2	102.200	1250 302 260	000 262 3402	Input Shaft 27 T	1	Z=113 mm	M	●					
2	102.210	1250 302 445		Input Shaft 27 T	1	Z=89 mm	M	●					
2	102.363	1250 302 187		Input Shaft 21 T	1		N	●					
2	102.368	1250 302 304		Input Shaft 22 T	1	Z=110 mm	P	●					
2	102.140	1250 302 192		Input shaft 19 T	1	Z=104 mm	Q	●					
2	102.080	1250 302 196	366 262 0102	Input Shaft 19 T	1	Z=90 mm	Q	●					
2	102.160	1250 302 258	000 262 2502	Input shaft 19 T	1	Z=112 mm	QR	●					
2	102.365	1250 302 294		Input Shaft 19 T	1	Z=82 mm	Q	●					
3	130.691	0750 118 090	006 981 4701	Bearing D.30x60x28	1			●	●				
4	187.245	0737 502 168	343 990 0360	Grooved nut M40x1,5	1	Old Type		●	●				
4A	111.018	0630 531 057	001 994 8841	Snap Ring M45x2,5	1	New Type		●	●				
5	109.028	1272 304 136	000 262 1740	Synchronizer Cone	1			●	●				
6	119.042	1272 304 076	000 262 1334	Synchronizer Ring	2	Old Type		●	●				
6	119.163	1272 304 166	000 262 8834	Synchronizer Ring	2	New Type		●	●				
6	119.054	1250 304 226	336 262 0734	Synchronizer Ring	2	Oldest(*)		●	●				
7	156.025	0732 020 030	336 264 0893	Spring L=31,50	3	Oldest		●	●				
8	155.060	1272 304 078	000 262 2235	Synchronizer Hub	1			●	●				
9	154.032	1272 304 077	000 262 1923	Sliding Sleeve	1			●	●				
10	109.031	1250 304 292	336 262 0240	Synchronizer Cone	1			●	●				
11	160.116	1240 304 278	336 264 0239	Pressure Piece	3			●	●				
12	156.036	0732 040 386	336 264 0793	Inner Spring De.3x34	3			●	●				
13	156.037	0732 040 385	336 264 0693	Outer Spring De.6x34	3			●	●				
14	145.844	1250 304 514		Gear 6th Speed 22 T	1		AL	●	●				
14	145.841	1250 304 404		Gear 6th Speed 19 T	1		BH	●	●				
14	145.845	1250 304 400		Gear 5th Speed 27 T	1		CP	●	●				
14	145.846	1250 304 502	000 262 4015	Gear 5th Speed 24 T	1		DQ	●	●				
14	145.847	1250 304 513		Gear 6th Speed 19 T	1		EGN	●	●				
14	145.848	1250 304 299		Gear 6th Speed 26 T	1		F	●	●				
14	145.421	1250 304 305	000 262 0615	Gear 5th Speed 30 T	1		M	●	●				
14	145.849	1250 304 135		Gear 5th Speed 23 T	1		R	●	●				
15	137.091	0735 320 314	005 981 0510	Needle Cage D.57x63x42,5	1			●	●				
16	117.100	1250 304 142	343 262 0250	Bush	1			●	●				
17	145.842	1250 304 172		Gear 4th Speed 28 T	1		A	●	●				
17	145.198	1250 304 178	343 262 0114	Gear 4th Speed 26 T	1		BEGHL	●	●				
17	145.850	1250 304 399		Gear 4th Speed 31 T	1		CP	●	●				
17	145.217	1250 304 217	366 262 0114	Gear 4th Speed 26 T	1		DQ	●	●				
17	145.851	1250 304 444		Gear 4th Speed 31 T	1		F	●	●				
17	145.440	1250 304 256	000 262 0414	Gear 4th Speed 29 T	1		M	●	●				

Notes

(*) Old Version with 3 spring holes. To be used with spring 156.025 (fig. 7)

Date

05 / 2006

Table

0030

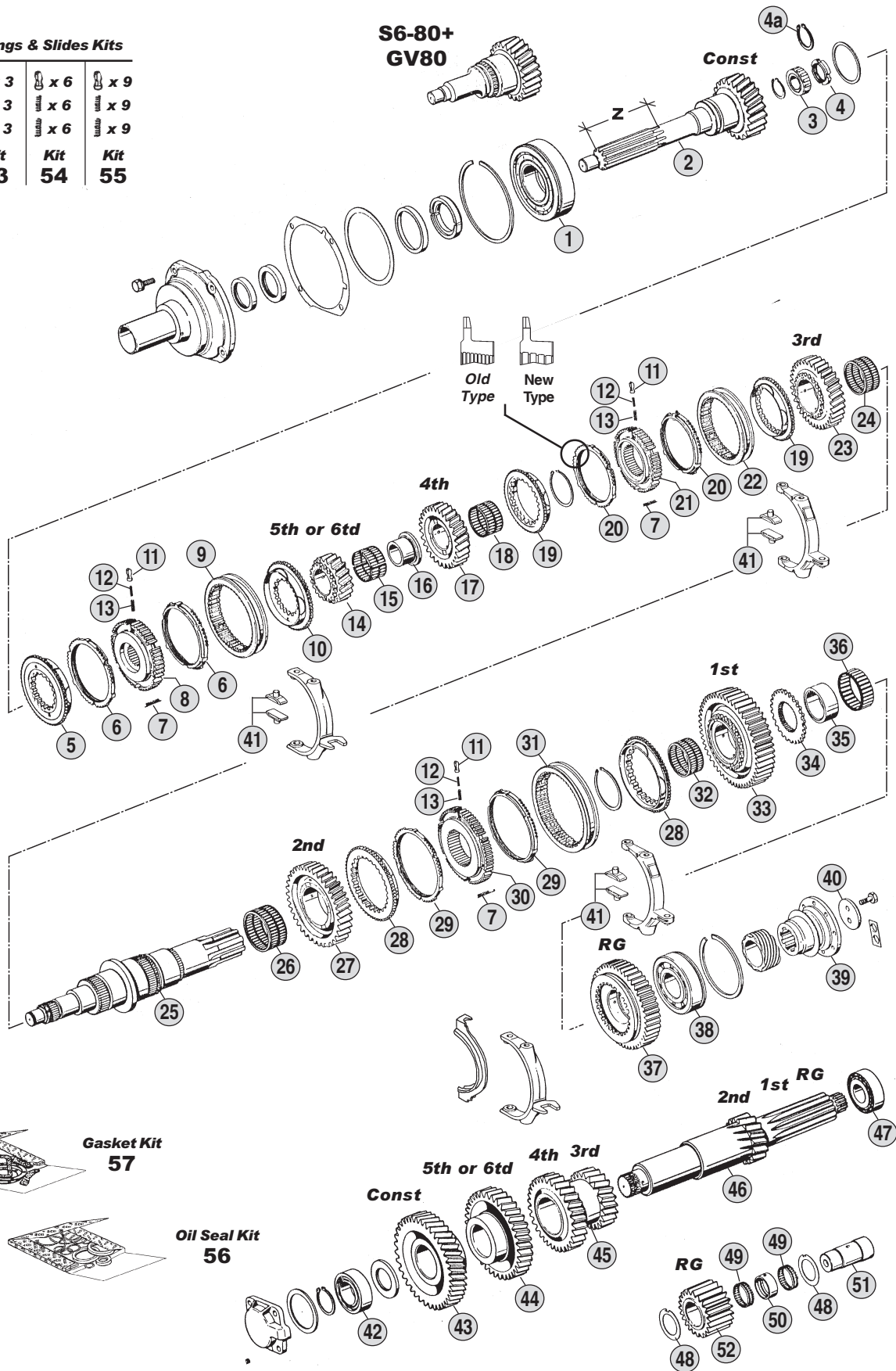
All original equipment manufacturers numbers, symbols, pictures, models and description used in this catalogue are for reference only, and it is not implied that any part listed is the product of these manufactures. Tutti i nostri particolari non sono originali ma con essi intercambiabili. I riferimenti originali, le figure, i modelli sono esposti a semplice titolo indicativo. La nostra produzione riporta il nostro marchio.

Suitable To : **ZF**

S6-80 and **S6-80+GV**

Springs & Slides Kits

x 3	x 6	x 9
x 3	x 6	x 9
x 3	x 6	x 9
Kit 53	Kit 54	Kit 55



Kits



Gasket Kit 57



Oil Seal Kit 56

Ratios

S680+GV	A : 6,70 - 0,690	B : 7,67 - 0,780	C : 8,90 - 0,840	D : 9,00 - 0,835
S6-80	E : 6,10 - 0,660	F : 6,99 - 0,820	G : 6,70 - 0,730	H : 6,70 - 0,780
	M : 7,41 - 1,000	N : 7,53 - 0,820	P : 8,90 - 1,000	Q : 9,00 - 1,000



All original equipment manufacturers' numbers, symbols, pictures, models and description used in this catalogue are for reference only, and it is not implied that any part listed is the product of these manufactures. Tutti i nostri particolari non sono originali ma con essi intercambiabili. I riferimenti originali, le figure, i modelli sono esposti a semplice titolo indicativo. La nostra produzione riporta il nostro marchio.

Fig.	CEI no.	O.E.M. Reference		Description	Q.ty	Note	Ratio	S6-80+GV80 S6-80						
		ZF no.	MB no.											
17	145.198	1250 304 178	343 262 0114	Gear 4th Speed 26 T	1		NR	●						
18	137.092	0750 115 284	013 981 9110	Needle Bearing D.58x65x35,50	1			●	●					
19	109.022	1250 304 351	000 262 0340	Synchronizer Cone	2			●	●					
20	119.042	1272 304 076	000 262 1334	Synchronizer Ring	2	Old Type		●	●					
20	119.162	1272 304 165	000 262 6834	Synchronizer Ring	2	New Type		●	●					
20	119.054	1250 304 226	336 262 0734	Synchronizer Ring	2	Oldest(*)		●	●					
21	155.061	1250 304 396	000 262 3035	Synchronizer Hub	1			●	●					
22	154.032	1272 304 077	000 262 1923	Sliding Sleeve	1			●	●					
23	145.843	1250 304 173		Gear 3rd Speed 34 T	1		A	●						
23	145.199	1250 304 179	343 262 0113	Gear 3rd Speed 32 T	1		BDEGHL	●	●					
23	145.852	1250 304 443		Gear 3rd Speed 33 T	1		F	●						
23	145.853	1250 304 398		Gear 3rd Speed 33 T	1		CP	●	●					
23	145.422	1250 304 257	000 262 0413	Gear 3rd Speed 34 T	1		M	●						
23	145.199	1250 304 179	343 262 0113	Gear 3rd Speed 32 T	1		NQR	●						
24	137.093	0750 115 134	012 981 5910	Needle Cage D.80x88x39,50	1			●	●					
25	103.076	1250 304 129	343 262 0105	Main Shaft (8 Splines)	1	Old type w/nut		●	●					
25	103.041	1250 304 474	000 262 2405	Main Shaft (8 Splines)	1	New type w/seeger		●	●					
25	103.040	1250 304 388	000 262 1405	Main Shaft (34 Splines)	1	Old type w/nut		●	●					
25	103.048	1250 304 473	000 262 2305	Main Shaft (34 Splines)	1	New type w/seeger		●	●					
26	137.094	0750 115 282	013 981 9210	Needle Cage D.95x103x39,5	1			●	●					
27	145.200	1250 304 029	343 262 0012	Gear 2nd Speed 36 T	1			●	●					
28	109.029	1250 304 350	000 262 0240	Synchronizer cone	2			●	●					
29	119.055	1250 304 472		Synchronizer Ring	2	Old Type		●	●					
29	119.164	1250 304 391	000 262 1634	Synchronizer Ring	2	New Type		●	●					
29	119.068	1250 304 227	336 262 0634	Synchronizer Ring	2	Oldest(*)		●	●					
30	155.062	1250 304 401	000 262 2935	Synchronizer Hub	1			●	●					
31	154.051	1257 304 020	336 262 0023	Sliding Sleeve 1st-2nd Speed	1			●	●					
32	137.095	0750 115 283	002 981 1710	Needle Cage D.80x88x46	1			●	●					
33	145.201	1250 304 240	336 262 0011	Gear 1st Speed 50 T	1			●	●					
34	109.030	1250 304 006	343 262 0036	Follower Ring	1			●	●					
35	117.101	0730 160 344	343 262 0350	Bush D.70x84x48,70	1			●	●					
36	137.096	0735 320 154	001 981 7410	Needle Cage D.84x96x36	1			●	●					
37	147.066	1250 304 140	343 262 0211	Reverse Gear 47 T	1			●	●					
38	130.258	0750 118 082	005 981 8501	Bearing D.70x150x35	1			●	●					
39	155.075	1250 304 107	343 262 0145	Output Flange D.150	1	8 Spl.		●	●					
39	155.079	1250 204 008	366 260 0017	Output Flange D.165	1	8 spl.		●	●					
39	155.102	1268 304 136	000 262 0745	Output Flange D.150	1	34 spl.		●	●					
39	155.132	1269 338 028	000 264 0845	Output Flange D.165 (8 holes)	1	34 spl.		●	●					
40	188.070	1240 304 117	343 262 0062	Stop Washer	1			●	●					
41	141.061	1272 334 003	000 268 0149	Bronze Slide	2			●	●					
42	130.234	0750 117 083	009 981 3301	Bearing D.50,8x95,2x27,7	1			●	●					
43	146.591	1250 303 116		Constant Gear 34 T	1		A	●						
43	146.098	1250 303 111	000 263 1610	Constant Gear 37 T	1		BGHL	●	●					
43	146.594	1250 303 138		Constant Gear 47 T	1		CP	●	●					
43	146.103	1250 303 112	000 263 1710	Constant Gear 41 T	1		DQR	●	●					

Notes

(*) Old Version with 3 spring holes. To be used with spring 156.025 (fig. 7)

Date

05 / 2006

Table

0030

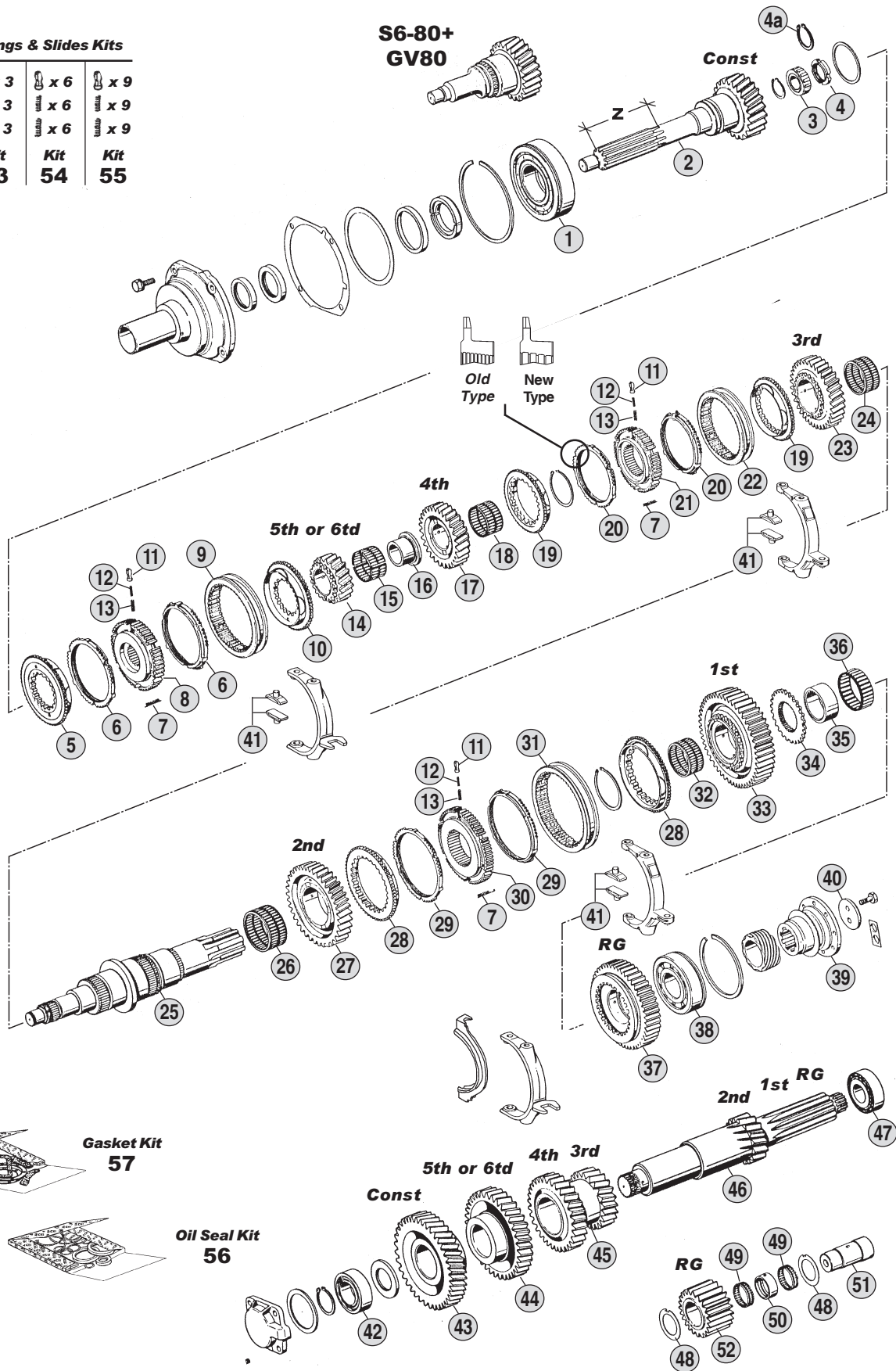
All original equipment manufacturers numbers, symbols, pictures, models and description used in this catalogue are for reference only, and it is not implied that any part listed is the product of these manufactures. Tutti i nostri particolari non sono originali ma con essi intercambiabili. I riferimenti originali, le figure, i modelli sono esposti a semplice titolo indicativo. La nostra produzione riporta il nostro marchio.

Suitable To : **ZF**

S6-80 and **S6-80+GV**

Springs & Slides Kits

x 3	x 6	x 9
x 3	x 6	x 9
x 3	x 6	x 9
Kit 53	Kit 54	Kit 55



Kits



Gasket Kit 57



Oil Seal Kit 56

Ratios

S680+GV	A : 6,70 - 0,690	B : 7,67 - 0,780	C : 8,90 - 0,840	D : 9,00 - 0,835
S6-80	E : 6,10 - 0,660	F : 6,99 - 0,820	G : 6,70 - 0,730	H : 6,70 - 0,780
	M : 7,41 - 1,000	N : 7,53 - 0,820	P : 8,90 - 1,000	Q : 9,00 - 1,000
			R : 9,00 - 1,000	



All original equipment manufacturers' numbers, symbols, pictures, models and description used in this catalogue are for reference only, and it is not implied that any part listed is the product of these manufacturers. Tutti i nostri particolari non sono originali ma con essi intercambiabili. I riferimenti originali, le figure, i modelli sono esposti a semplice titolo indicativo. La nostra produzione riporta il nostro marchio.

Fig.	CEI no.	O.E.M. Reference		Description	Q.ty	Note	Ratio	S6-80+GV80				
		ZF no.	MB no.					S6-80				
43	146.237	1250 303 115		Constant Gear 35 T	1		E	●				
43	146.595	1250 303 154		Constant Gear 45 T	1		F	●				
43	146.351	1250 303 114	000 263 1310	Constant Gear 48 T	1		M	●				
43	146.592	1250 303 113	000 263 1810	Constant Gear 38 T	1		N	●				
44	146.102	1250 303 048	343 263 0215	Gear 6th Speed 43 T	1		AL	●	●			
44	146.593	1250 303 060		Gear 6th Speed 39 T	1		BH	●	●			
44	146.596	1250 303 137		Gear 5th Speed 41 T	1		CP	●	●			
44	146.104	1250 303 074	366 263 0015	Gear 5th Speed 36 T	1		DQ	●	●			
44	146.099	1250 303 058	336 263 0115	Gear 6th Speed 42 T	1		EGN	●				
44	146.597	1250 303 088		Gear 6th Speed 51 T	1		F	●				
44	146.352	1250 303 094	000 263 0515	Gear 5th Speed 43 T	1		M	●				
44	146.098	1250 303 111	000 263 1610	Constant Gear 37 T	1		R	●				
45	143.126	1250 303 049		Double Gear 3rd/4th-21/26 T	1		A	●				
45	143.035	1250 303 056	343 263 0114	Double Gear 3rd/4th-22/29 T	1		BEGHL	●	●			
45	143.127	1250 303 136		Double Gear 3rd/4th-23/32 T	1		CP	●	●			
45	143.037	1250 303 062	366 263 0114	Double Gear 3rd/4th-22/27 T	1		DQ	●	●			
45	143.128	1250 303 159		Double Gear 3rd/4th-24/37 T	1		F	●				
45	143.035	1250 303 056	343 263 0114	Double Gear 3rd/4th-22/29 T	1		NR	●				
45	143.087	1250 303 084	000 263 0414	Double Gear 3rd/4th-22/28 T	1		M	●				
46	105.038	1250 203 002	000 260 0224	Countershaft 12/15 T	1			●	●			
47	130.233	1246 203 008	001 980 9602	Roller Bearing D.44,45x95,25x28	1			●	●			
48	169.234	0730 150 064	343 263 0062	Thrust Washer	2			●	●			
49	137.007	0750 115 011	010 981 1010	Needle Cage D.45x53x21	2			●	●			
50	169.443	1250 305 006	000 263 0650	Spacer	1			●	●			
51	107.072	1250 305 003	343 263 0030	Reverse Pin	1			●	●			
52	147.065	1250 305 033	000 263 2631	Reverse Gear 21 T	1			●	●			
53	198.339	1268 298 938	CEI 198339	Spring Slide Set	1			●	●			
54	198.564	CEI 198564		Spring Slide Set	1			●	●			
55	198.842	1295 298 933		Spring Slide Set	1			●	●			
56	198.417	1250 298 907	CEI 198417	Oil Seal Kit	1			●	●			
57	198.418	1250 298 910	CEI 198418	Gasket Kit	1			●	●			

S6-80

1250 xxx xxx

Notes

(*) Old Version with 3 spring holes. To be used with spring 156.025 (fig. 7)

Date

05 / 2006

Table

0030

suitable to :

Z.F.

Old Range

GV90

(1268 xxx xxx)

Ratios

Ratio	Note
6,98-0,820	A
7,03-0,580	B
7,03-0,700	C
9,01-0,820	D

OLD RANGE
GV90

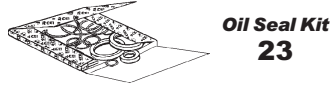
Suitable To : **ZF**

GV90

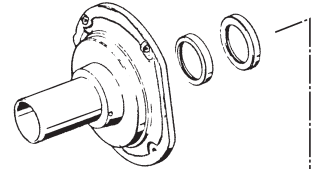
Kits



**Gasket Kit
24**

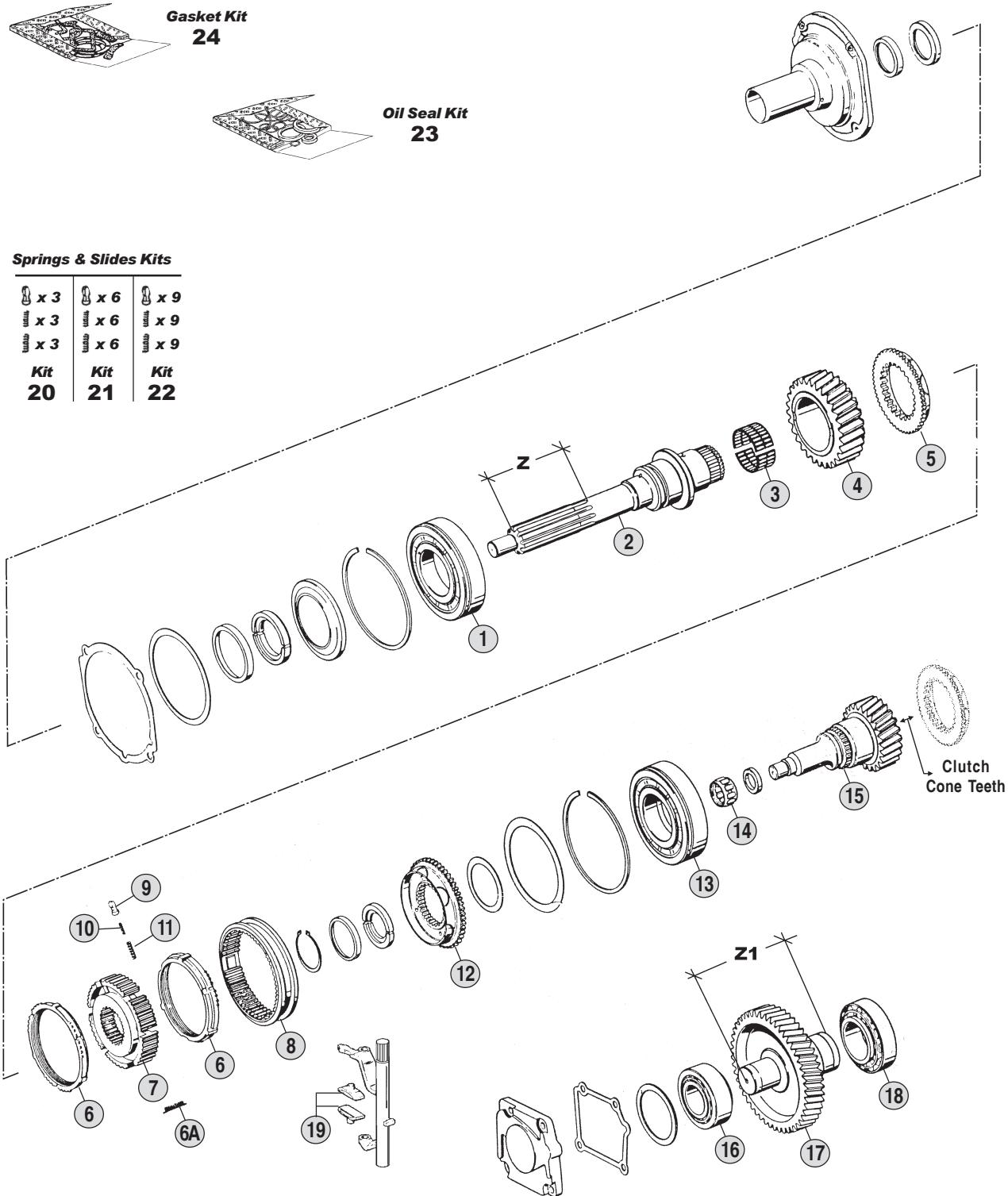


**Oil Seal Kit
23**



Springs & Slides Kits

x 3	x 6	x 9
x 3	x 6	x 9
x 3	x 6	x 9
Kit 20	Kit 21	Kit 22



All original equipment manufacturers' numbers, symbols, pictures, models and description used in this catalogue are for reference only, and it is not implied that any part listed is the product of these manufactures. Tutti i nostri particolari non sono originali ma con essi intercambiabili. I riferimenti originali, le figure, i modelli sono esposti a semplice titolo indicativo. La nostra produzione riporta il nostro marchio.

Ratios

GV90 A : 6,98 - 0,820 B : 7,03 - 0,580 C : 7,03 - 0,700 D : 9,01 - 0,820



Fig.	O.E.M. Reference		Description	Q.ty	Note	Ratio	GV90						
	CEI no.	ZF no.					MB no.						
1	130.699	0750 118 081	005 981 8701	Bearing D.70x150x35	1		●						
2	102.145	1250 312 291		Input Shaft	1	Z=83 mm	●						
2	102.165	1250 312 171	336 264 0106	Input Shaft	1	Z=88 mm	●						
2		1250 312 172		Input shaft	1	Z=105 mm	●						
2	103.049	1250 312 247	000 264 1706	Input Shaft	1	Z=116 mm	●						
2	102.228	1268 312 128		Input Shaft	1	Z=116 mm	●						
2	102.198	1268 312 113	000 264 3706	Input Shaft	1	Z=130 mm	●						
3	137.108	0750 115 089	011 981 1210	Needle Cage D.68x74x45	1		●						
4	146.392	1268 312 010	000 262 0210	Gear 37 T	1		ABC	●					
4	146.162	1268 312 003	000 262 0110	Gear 31 T	1		D	●					
5	109.037	1250 312 366	000 264 0846	Synchronizer Cone	1			●					
6	119.080	1250 304 417	000 262 1934	Synchronizer Ring	2			●					
6	119.069	1240 304 384	000 262 0434	Synchronizer Ring	2	Old(*)		●					
6A	156.025	0732 020 030	336 264 0893	Spring L=31,50	3	Old		●					
7	155.090	1250 312 323	000 262 3635	Synchronizer Hub	1			●					
8	154.064	1240 304 272	000 262 0623	Sliding Sleeve	1			●					
9	160.116	1240 304 278	336 264 0239	Pressure Piece	3			●					
10	156.036	0732 040 386	336 264 0793	Inner Spring De.3x34	3			●					
11	156.037	0732 040 385	336 264 0693	Outer Spring De.6x34	1			●					
12	109.038	1250 312 364	000 264 0746	Synchronizer Cone	1			●					
13	130.258	0750 118 082	005 981 8501	Bearing D.70x150x35	1			●					
14	137.268	0735 358 032	002 981 3410	Needle Bearing D.22x38x19	1			●					
15	105.098	1268 312 139		Intermediate Shaft 28 T	1	18 Teeth clutch	A	●					
15	105.097	1268 312 142		Intermediate Shaft 28 T	1	46 Teeth clutch	A	●					
15	102.102	1268 312 009	000 264 0805	Intermediate Shaft 29 T	1	19 Teeth clutch	BC	●					
15	102.083	1268 312 124	000 264 0705	Intermediate Shaft 25 T	1	19 teeth clutch	D	●					
16	130.242	0750 117 010	001 980 8102	Bearing D.50,80x100x35	1			●					
17	146.166	1268 312 051	000 262 1310	Gear 50 T	1		ABC	●					
17	146.304	1268 312 052	000 262 1410	Gear 54 T	1	Z1=143 mm	D	●					
17	146.163	1268 312 055	000 262 1810	Gear 54 t.	1	Z1=151 mm	D	●					
18		0750 117 203		Bearing D.66,6x112,7x30,1	1			●					
19	141.146	1268 312 057	000 264 0749	Slide	2			●					
20	198.339	1268 298 938	CEI 198339	Spring Slide Set	1			●					
21	198.564	CEI 198564		Spring Slide Set	1			●					
22	198.842	1295 298 933		Spring Slide Set	1			●					
23	198.419	1268 298 903		Oil Seal Kit	1			●					
24	198.420	1268 298 904	CEI 198420	Gasket Kit	1			●					

Notes

(*) Old Version with 3 spring holes. To be used with spring 156.025 (fig. 6A)

Date

05 / 2006

Table

0040

All original equipment manufacturers numbers, symbols, pictures, models and description used in this catalogue are for reference only, and it is not implied that any part listed is the product of these manufactures.
Tutti i nostri particolari non sono originali ma con essi intercambiabili. I riferimenti originali, le figure, i modelli sono esposti a semplice titolo indicativo. La nostra produzione riporta il nostro marchio.

suitable to :

Z.F.**Old Range****AK6-90+GV90****(1268 xxx xxx)****Ratios**

Ratio	Note
7,03-0,580	B
9,01-0,820	D

AK6-90**(1268 xxx xxx)****Ratios**

Ratio	Note
5,67-0,700	E
7,03-0,700	F
7,03-0,810	G
9,01-1,000	H

OLD RANGE
AK6-90 & GV90

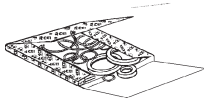
Suitable To: **ZF**

AK6-90 and **AK6-90+GV**

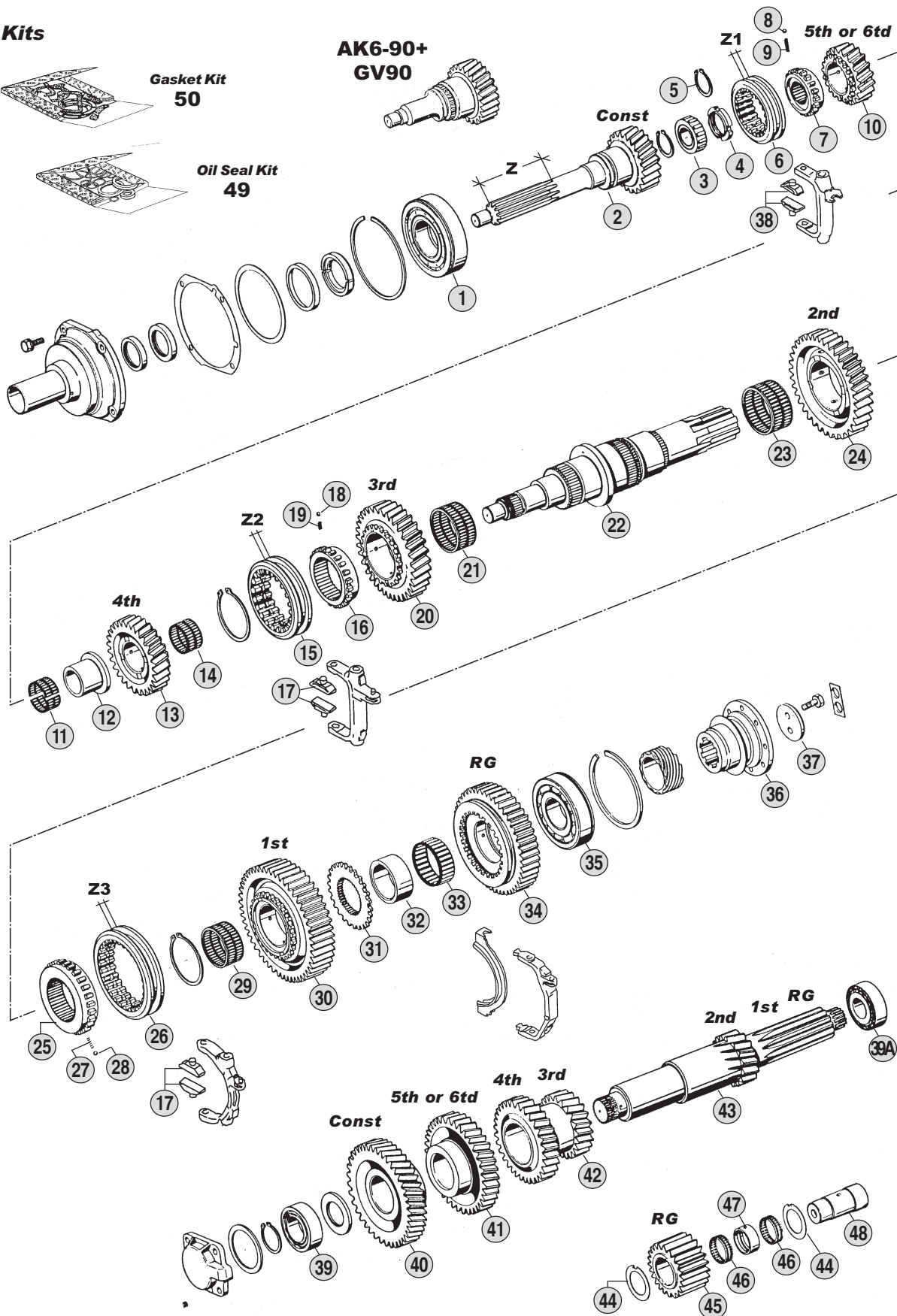
Kits



Gasket Kit 50



Oil Seal Kit 49



Ratios

AK+GV	A:	B: 7,03 - 0,580	C:	D: 9,01 - 0,820
AK6-90	E: 5,67 - 0,700	F: 7,03 - 0,700	G: 7,03 - 0,810	H: 9,01 - 1,000



All original equipment manufacturers' numbers, symbols, pictures, models and description used in this catalogue are for reference only, and it is not implied that any part listed is the product of these manufactures. Tutti i nostri particolari non sono originali ma con essi intercambiabili. I riferimenti originali, le figure, i modelli sono esposti a semplice titolo indicativo. La nostra produzione riporta il nostro marchio.

AK6-90+GV90
AK6-90

Fig.	CEI no.	O.E.M. Reference		Description	Q.ty	Note	Ratio						
		ZF no.	MB no.					AK6-90+GV90	AK6-90				
1	130.258	0750 118 082	005 981 8501	Bearing D.70x150x35	1			●					
2	102.369	1268 302 044		Input Shaft 33 T	1		E	●					
2	102.155	1268 302 132	000 262 4702	Input shaft 29 T	1	Z=113 mm	F(#)	●					
2	102.370	1268 302 124		Input Shaft 29 T	1	Z=113 mm	F(@)	●					
2	102.078	1268 302 042	000 262 1202	Input Shaft 29 T	1	Z=90 mm	G	●					
2	102.371	1268 302 048		Input Shaft 29 T	1	Z=105 mm	G	●					
2	102.199	1268 302 047	000 262 2602	Input Shaft 25 T	1	Z=115 mm	H(#)	●					
2	102.079	1268 302 001	000 262 1302	Input Shaft 25 T	1	Z=90 mm	H(#)	●					
2	102.185	1268 302 104	000 262 9902	Input Shaft 25 T	1	Z=112 mm	H(#)	●					
2	102.372	1268 302 049		Input Shaft 25 T	1	Z=107 mm	H(#)	●					
2	102.220	1268 302 126	001 262 1202	Input Shaft 25 T	1	Z=114 mm	H(@)	●					
2	102.373	1268 302 098		Input Shaft 25 T	1		H(@)	●					
3	130.691	0750 118 090	006 981 4701	Bearing D.30x60x28	1			●	●				
4	187.245	0737 502 168	343 990 0360	Grooved nut M40x1,5	1	Old Type		●	●				
5	111.018	0630 531 057	001 994 8841	Snap Ring M45x2,5	1	New Type		●	●				
6	154.099	1250 304 141	343 262 0323	Sliding Sleeve	1	Z1=12,00(*)		●	●				
6	154.053	1250 304 362	000 262 2323	Sliding Sleeve	1	Z1=19,50 mm		●	●				
6	154.053	1250 304 362	000 262 2323	Sliding Sleeve	1	Z1=19,50 mm	FH(#)	●	●				
6	154.100	1250 304 440	000 262 3723	Sliding Sleeve	1	Z1=19,50 mm	FH(@)	●	●				
7	155.076	1250 304 185	343 262 0427	Synchronizer Hub	1			●	●				
7	155.076	1250 304 185	343 262 0427	Synchronizer Hub	1		FH(#)	●	●				
7	155.143	1272 304 124	000 262 1927	Synchronizer Hub	1		FH(@)	●	●				
8	171.014	0635 460 010	002 981 5685	Ball D.6	3			●	●				
9	156.150	1203 321 009	002 993 1801	Spring De.5,50x12	3			●	●				
10	145.274	1268 304 094		Gear 6th Speed 26 T	1		B	●					
10	145.213	1268 304 005	000 262 0915	Gear 5th Speed 24 T	1		D	●					
10	145.854	1268 304 012		Gear 6th Speed 28 T	1		E	●					
10	145.274	1268 304 094		Gear 6th Speed 26 T	1		F(#)	●					
10	145.855	1268 304 269		Gear 6th Speed 26 T	1		F(@)	●					
10	145.209	1268 304 015	000 262 0815	Gear 6th Speed 29 T	1		G	●					
10	145.213	1268 304 005	000 262 0915	Gear 5th Speed 24 T	1		H(#)	●					
10	145.856	1268 304 262	000 262 3515	Gear 5th Speed 24 T	1		H(@)	●					
11	137.091	0735 320 314	005 981 0510	Needle Cage D.57x63x42,5	1			●	●				
12	117.100	1250 304 142	343 262 0250	Bush	1			●	●				
13	145.208	1268 304 010	000 262 0614	Gear 4th Speed 30 T	1		BG	●	●				
13	145.214	1268 304 004	000 262 0714	Gear 4th Speed 29 T	1		D	●					
13	145.857	1268 304 013		Gear 4th Speed 33 T	1		E	●					
13	145.208	1268 304 010	000 262 0614	Gear 4th Speed 30 T	1		F(#)	●					
13	145.858	1268 304 268		Gear 4th Speed 30 T	1		F(@)	●					
13	145.214	1268 304 004	000 262 0714	Gear 4th Speed 29 T	1		H(#)	●					
13	145.859	1268 304 237	000 262 3514	Gear 4th Speed 29 T	1		H(@)	●					
14	137.092	0750 115 284	013 981 9110	Needle Bearing D.58x65x35,50	1			●	●				
15	154.056	1250 304 233	000 262 1023	Sliding Sleeve	1	Z2=19,50 mm		●	●				
15	154.056	1250 304 233	000 262 1023	Sliding Sleeve	1	Z2=19,50 mm	FH(#)	●	●				
15	154.101	1250 304 441	000 262 3823	Sliding Sleeve	1	Z2=19,50 mm	FH(@)	●	●				

Notes

- (# - @) Different coupling cone versions.To be coupled together. **DO NO MIX**
The new version (@) **dont use** balls and springs
(*) Old version with smaller sliding block. Use Sleeve 154.099 with sliding 141.062

Date

05 / 2006

Table

0050

All original equipment manufacturers numbers, symbols, pictures, models and description used in this catalogue are for reference only, and it is not implied that any part listed is the product of these manufactures.
Tutti i nostri particolari non sono originali ma con essi intercambiabili. I riferimenti originali, le figure, i modelli sono esposti a semplice titolo indicativo. La nostra produzione riporta il nostro marchio.

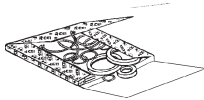
Suitable To: **ZF**

AK6-90 and **AK6-90+GV**

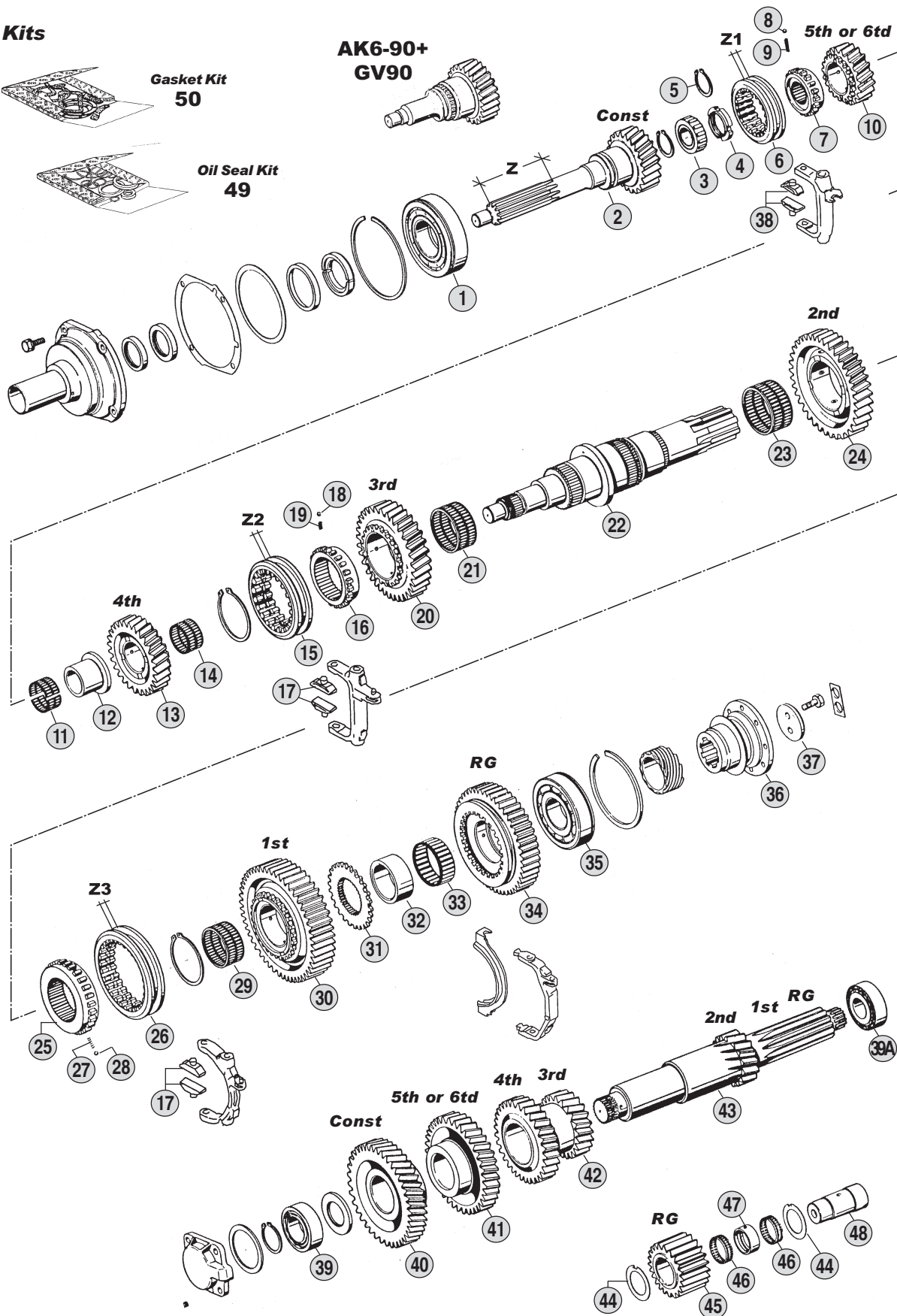
Kits



Gasket Kit 50



Oil Seal Kit 49



Ratios

AK+GV	A:	B: 7,03 - 0,580	C:	D: 9,01 - 0,820
AK6-90	E: 5,67 - 0,700	F: 7,03 - 0,700	G: 7,03 - 0,810	H: 9,01 - 1,000



All original equipment manufacturers' numbers, symbols, pictures, models and description used in this catalogue are for reference only, and it is not implied that any part listed is the product of these manufactures. Tutti i nostri particolari non sono originali ma con essi intercambiabili. I riferimenti originali, le figure, i modelli sono esposti a semplice titolo indicativo. La nostra produzione riporta il nostro marchio.

AK6-90+GV90
AK6-90

Fig.	CEI no.	O.E.M. Reference		Description	Q.ty	Note	Ratio						
		ZF no.	MB no.					AK6-90+GV90	AK6-90				
16	155.077	1250 304 234	343 262 0527	Synchronizer Hub	1			●	●				
16	155.077	1250 304 234	343 262 0527	Synchronizer Hub	1		FH(#)		●				
16	155.226	1250 304 454	000 262 2427	Synchronizer Hub	1		FH(@)		●				
17	141.068	1295 306 132	000 268 0849	Bronze Slide	2			●	●				
18	171.014	0635 460 010	002 981 5685	Ball D.6	3			●	●				
19	156.124	0732 040 497	343 264 0993	Spring De.6x7	3			●	●				
20	145.210	1268 304 009	000 262 0513	Gear 3rd Speed 34 T	1		BG		●	●			
20	145.215	1268 304 003	000 262 0613	Gear 3rd Speed 35 T	1		D		●				
20	145.860	1268 304 014		Gear 3rd Speed 38 T	1		E		●				
20	145.210	1268 304 009	000 262 0513	Gear 3rd Speed 34 T	1		F(#)		●				
20	145.861	1268 304 267		Gear 3rd Speed 34 T	1		F(@)		●				
20	145.215	1268 304 003	000 262 0613	Gear 3rd Speed 35 T	1		H(#)		●				
20	145.862	1268 304 235	000 262 5113	Gear 3rd Speed 35 T	1		H(@)		●				
21	137.093	0750 115 134	012 981 5910	Needle Cage D.80x88x39,50	1			●	●				
22	103.076	1250 304 129	343 262 0105	Main Shaft (8 Splines)	1	Olt type w/nut		●	●				
22	103.041	1250 304 474	000 262 2405	Main Shaft (8 Splines)	1	New type w/seeger		●	●				
22	103.040	1250 304 388	000 262 1405	Main Shaft (34 Splines)	1	Old type w/nut		●	●				
22	103.048	1250 304 473	000 262 2305	Main Shaft (34 Splines)	1	New type w/seeger		●	●				
23	137.094	0750 115 282	013 981 9210	Needle Cage D.95x103x39,5	1			●	●				
24	145.211	1268 304 204	000 262 2112	Gear 2nd Speed 42 T	1			●	●				
24	145.211	1268 304 204	000 262 2112	Gear 2nd Speed 42 T	1		FH(#)		●				
24	145.863	1268 304 244	000 262 4312	Gear 2nd Speed 42 T	1		FH(@)		●				
25	155.081	1268 304 006	000 262 0827	Synchronizer Hub	1			●	●				
25	155.081	1268 304 006	000 262 0827	Synchronizer Hub	1		FH(#)		●				
25	155.227	1268 304 246	000 262 2327	Synchronizer Hub	1		FH(@)		●				
26	154.054	1250 304 236	000 262 1123	Sliding Sleeve	1			●	●				
26	154.054	1250 304 236	000 262 1123	Sliding Sleeve	1		FH(#)		●				
26	154.367	1246 304 237	000 262 5223	Sliding Sleeve	1		FH(@)		●				
27	156.150	1203 321 009	002 993 1801	Spring De.5,50x12	3			●	●				
28	171.014	0635 460 010	002 981 5685	Ball D.6	3			●	●				
29	137.095	0750 115 283	002 981 1710	Needle Cage D.80x88x46	1			●	●				
30	145.212	1268 304 213	000 262 4611	Gear 1st Speed 51 T	1			●	●				
30	145.212	1268 304 213	000 262 4611	Gear 1st Speed 51 T	1		FH(#)		●				
30	145.864	1268 304 245	000 262 7411	Gear 1st Speed 51 T	1		FH(@)		●				
31	109.030	1250 304 006	343 262 0036	Follower Ring	1			●	●				
32	117.101	0730 160 344	343 262 0350	Bush D.70x84x48,70	1			●	●				
33	137.096	0735 320 154	001 981 7410	Needle Cage D.84x96x36	1			●	●				
34	147.072	1268 304 008	000 262 1111	Reverse Gear 47 T	1			●	●				
35	130.264	0635 333 049	000 981 9025	Bearing D.70x150x35	1			●	●				
36	155.075	1250 304 107	343 262 0145	Output Flange D.150	1	8 spl.		●	●				
36	155.079	1250 204 008	366 260 0017	Output Flange D.165	1	8 spl.		●	●				
36	155.102	1268 304 136	000 262 0745	Output Flange D.150	1	34 spl.		●	●				
36	197.067	1268 304 148	000 264 1445	Output Flange D.165	1	34 spl.		●	●				
36	155.132	1269 338 028	000 264 0845	Output Flange D.165 (8 holes)	1	34 spl.		●	●				
36	155.113	1269 338 020	000 264 0945	Output Flange D.180 (10 holes)	1	34 spl.		●	●				

Notes

- (# - @) Different coupling cone versions.To be coupled together. **DO NO MIX**
The new version (@) **dont use** balls and springs
(*) Old version with smaller sliding block. Use Sleeve 154.099 with sliding 141.062

Date

05 / 2006

Table

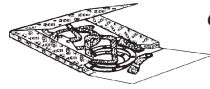
0050

All original equipment manufacturers numbers, symbols, pictures, models and description used in this catalogue are for reference only, and it is not implied that any part listed is the product of these manufactures.
Tutti i nostri particolari non sono originali ma con essi intercambiabili. I riferimenti originali, le figure, i modelli sono esposti a semplice titolo indicativo. La nostra produzione riporta il nostro marchio.

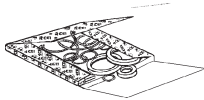
Suitable To: **ZF**

AK6-90 and **AK6-90+GV**

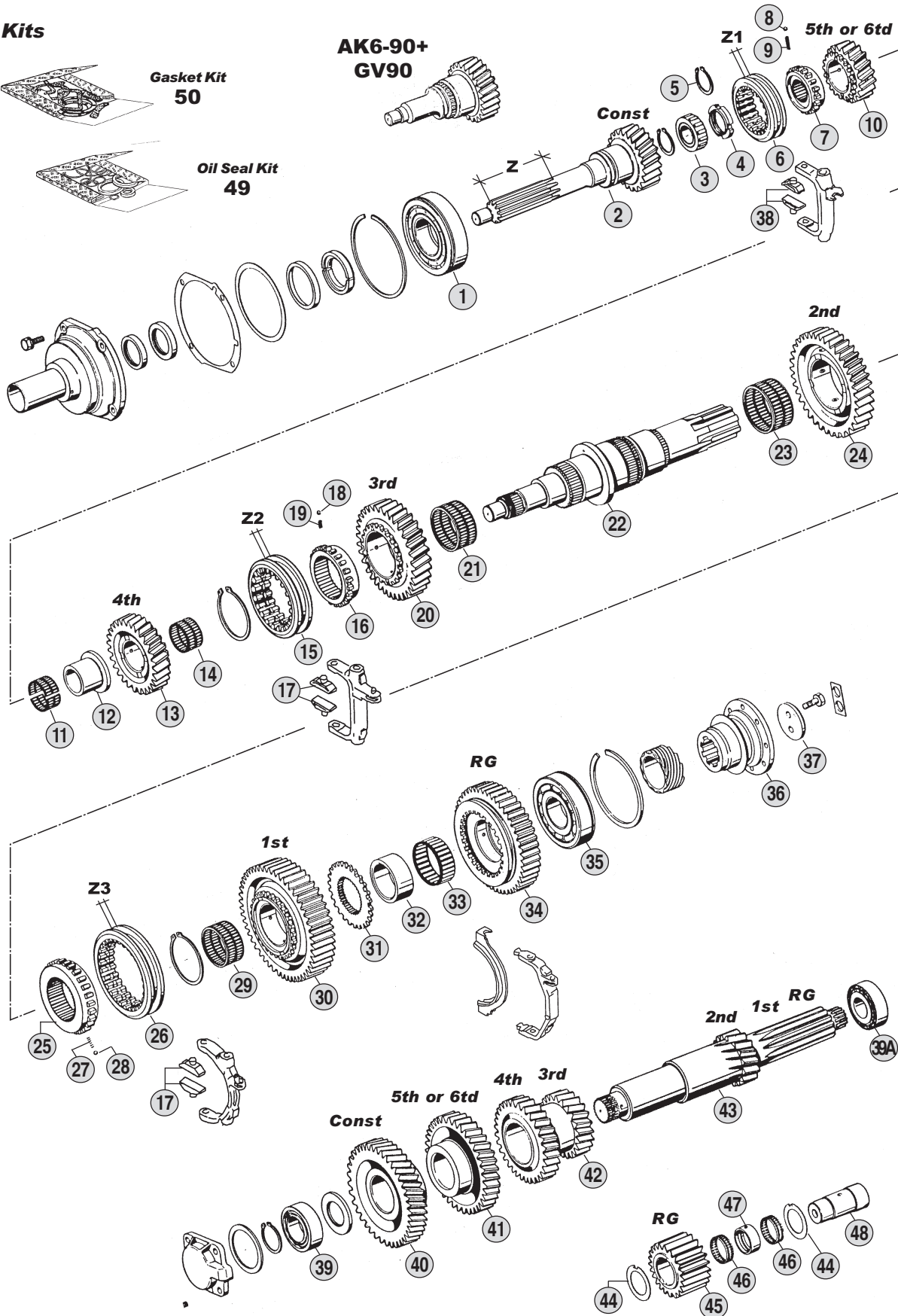
Kits



Gasket Kit 50



Oil Seal Kit 49



Ratios

AK+GV	A:	B: 7,03 - 0,580	C:	D: 9,01 - 0,820
AK6-90	E: 5,67 - 0,700	F: 7,03 - 0,700	G: 7,03 - 0,810	H: 9,01 - 1,000

All original equipment manufacturers' numbers, symbols, pictures, models and description used in this catalogue are for reference only, and it is not implied that any part listed is the product of these manufactures. Tutti i nostri particolari non sono originali ma con essi intercambiabili. I riferimenti originali, le figure, i modelli sono esposti a semplice titolo indicativo. La nostra produzione riporta il nostro marchio.



Fig.	CEI no.	O.E.M. Reference		Description	Q.ty	Note	Ratio	AK6-90+GV90 AK6-90							
		ZF no.	MB no.												
37	188.070	1240 304 117	343 262 0062	Stop Washer	1			●	●						
38	141.068	1295 306 132	000 268 0849	Bronze Slide	2			●	●						
38	141.062	1240 306 234	000 265 0549	Slide	2	Old(*)		●	●						
39	130.242	0750 117 010	001 980 8102	Bearing D.50,80x100x35	1			●	●						
39A	130.263	0750 117 778	004 981 1305	Bearing D.45x100x38,2	1			●	●						
40	146.108	1268 303 057	000 263 1410	Constant Gear 48 T	1		BFG	●	●						
40	146.107	1268 303 056	000 263 1510	Constant Gear 53 T	1		DH	●	●						
40	146.598	1268 303 059		Constant Gear 44 T	1		E		●						
41	146.208	1268 303 007		Gear 6th Speed 61 T	1		BF	●	●						
41	146.106	1268 303 004	000 263 0815	Gear 5th Speed 34 T	1		DH	●	●						
41	146.599	1268 303 010		Gear 6th Speed 53 T	1		E		●						
41	146.105	1268 303 012	000 263 0715	Gear 6th Speed 59 T	1		G		●						
42	143.038	1268 303 006	000 263 0613	Double Gear 3rd/4th-23/33 T	1		BFG	●	●						
42	143.039	1268 303 005	000 263 0713	Double Gear 3rd/4th-23/28 T	1		DH	●	●						
42	143.129	1268 303 011		Double Gear 3rd/4th-23/30 T	1		E		●						
43	105.042	1268 203 001	000 260 0124	Countershaft 12/17 T	1			●	●						
44	169.234	0730 150 064	343 263 0062	Thrust Washer	2			●	●						
45	147.071	1268 305 009	343 263 0062	Reverse Gear 20 T	1			●	●						
46	137.007	0750 115 011	010 981 1010	Needle Cage D.45x53x21	2			●	●						
47	169.443	1250 305 006	000 263 0650	Spacer	1			●	●						
48	107.072	1250 305 003	343 263 0030	Reverse Pin	1			●	●						
49	198.419	1268 298 903		Oil Seal Kit	1			●	●						
50	198.420	1268 298 904	CEI 198420	Gasket Kit	1			●	●						

AK6-90
1268 xxx xxx

All original equipment manufacturers' numbers, symbols, pictures, models and description used in this catalogue are for reference only, and it is not implied that any part listed is the product of these manufactures.
Tutti i nostri particolari non sono originali ma con essi intercambiabili. I riferimenti originali, le figure, i modelli sono esposti a semplice titolo indicativo. La nostra produzione riporta il nostro marchio.

Notes

- (# - @) Different coupling cone versions. To be coupled together. **DO NO MIX**
The new version (@) **dont use** balls and springs
(*) Old version with smaller sliding block. Use Sleeve 154.099 with sliding 141.062

Date

05 / 2006

Table

0050

suitable to :

Z.F.**Old Range*****S6-90+GV90******(1268 xxx xxx)******Ratios***

Ratio	Note
6,98-0,820	A
7,03-0,580	B
7,03-0,700	C
9,01-0,820	D

S6-90***(1268 xxx xxx)******Ratios***

Ratio	Note
5,66-0,700	E
6,37-0,820	F
6,37-1,000	G
6,37-1,000	H
6,98-1,000	L
6,98-1,000	M
7,03-0,810	N
7,03-1,000	P
9,01-1,000	Q
9,08-1,000	R

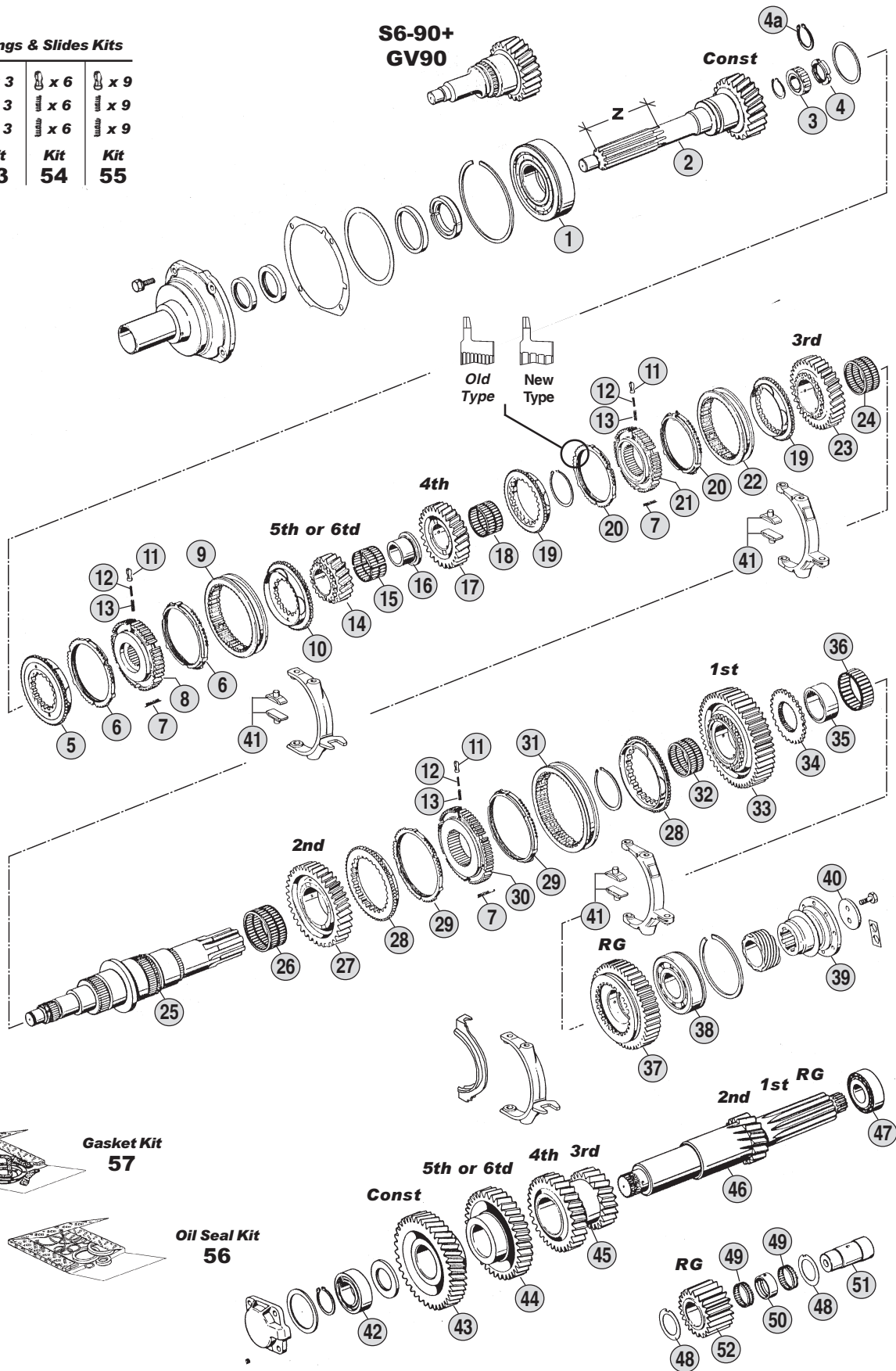
OLD RANGE
S6-90 & GV90

Suitable To : **ZF**

S6-90 and **S6-90+GV**

Springs & Slides Kits

x 3	x 6	x 9
x 3	x 6	x 9
x 3	x 6	x 9
Kit 53	Kit 54	Kit 55



Kits



Gasket Kit 57



Oil Seal Kit 56

Ratios

S690+GV	A : 6,98 - 0,820	B : 7,03 - 0,580	C : 7,03 - 0,700	D : 9,01 - 0,820
S6-90	E : 5,66 - 0,700	F : 6,37 - 0,820	G : 6,37 - 1,000	H : 6,37 - 1,000
	M : 6,98 - 1,000	N : 7,03 - 0,810	P : 7,03 - 1,000	Q : 9,01 - 1,000
			R : 9,08 - 1,000	



All original equipment manufacturers' numbers, symbols, models and description used in this catalogue are for reference only, and it is not implied that any part listed is the product of these manufactures. Tutti i nostri particolari non sono originali ma con essi intercambiabili. I riferimenti originali, le figure, i modelli sono esposti a semplice titolo indicativo. La nostra produzione riporta il nostro marchio.

S6-90+GV90
S6-90

Fig.	CEI no.	O.E.M. Reference		Description	Q.ty	Note	Ratio						
		ZF no.	MB no.					S6-90+GV90	S6-90				
1	130.258	0750 118 082	005 981 8501	Bearing D.70x150x35	1			●					
2	102.374	1268 302 109		Input Shaft 33 T	1	Z=115 / 19 Teeth	E	●					
2	102.375	1268 302 094		Input Shaft 28 T	1	19 Teeth	F	●					
2	102.376	1268 202 009		Input Shaft 26 T	1	18 Teeth	G	●					
2	102.377	1268 302 110		Input Shaft	1	18 Teeth	H	●					
2	102.378	1268 302 095		Input Shaft 28 T	1	Z=113 / 18 Teeth	L	●					
2	102.181	1268 302 164	001 262 4302	Input Shaft 28 T	1	L=113 / 46 Teeth	L	●					
2	102.379	1268 302 127	001 262 2302	Input Shaft 28 T	1	Z=113 / 18 Teeth	M	●					
2	102.380	1268 302 167		Input Shaft 28 T	1	Z=113 / 46 Teeth	M	●					
2	102.078	1268 302 042	000 262 1202	Input Shaft 29 T	1	Z=90 / 19 Teeth	N	●					
2	102.371	1268 302 048		Input Shaft 29 T	1	Z=105 / 19 Teeth	N	●					
2	102.155	1268 302 132	000 262 4702	Input shaft 29 T	1	Z=113 / 19 Teeth	P	●					
2	102.199	1268 302 047	000 262 2602	Input Shaft 25 T	1	Z=115 / 19 Teeth	Q	●					
2	102.079	1268 302 001	000 262 1302	Input Shaft 25 T	1	Z=90 / 19 Teeth	Q	●					
2	102.185	1268 302 104	000 262 9902	Input Shaft 25 T	1	Z=112 / 19 Teeth	Q	●					
2	102.372	1268 302 049		Input Shaft 25 T	1	Z=107 / 19 Teeth	Q	●					
2	102.383	1268 302 079		Input Shaft 22 T	1	19 Teeth	R	●					
3	130.692	0735 455 012	003 981 6001	Bearing D.30x68x26	1		AGHLM	●	●				
3	130.691	0750 118 090	006 981 4701	Bearing D.30x60x28	1		BCD	●					
3	130.691	0750 118 090	006 981 4701	Bearing D.30x60x28	1		EFNPQR	●					
4	187.245	0737 502 168	343 990 0360	Grooved nut M40x1,5	1	Old Type		●	●				
4A	111.018	0630 531 057	001 994 8841	Snap Ring M45x2,5	1	New Type		●	●				
5	109.028	1272 304 136	000 262 1740	Synchronizer Cone	1	19 Teeth clutch	BCD	●					
5	109.028	1272 304 136	000 262 1740	Synchronizer Cone	1	19 Teeth clutch	EFNPQR	●					
5	109.127	1268 304 142	000 262 0740	Synchronizer Cone	1	18 Teeth clutch	ALM	●	●				
5	109.126	1268 304 537	000 262 3640	Synchronizer Cone	1	46 Teeth clutch	ALM	●	●				
5	109.127	1268 304 142	000 262 0740	Synchronizer Cone	1	18 Teeth clutch	GH	●					
6	119.042	1272 304 076	000 262 1334	Synchronizer Ring	2	Old Type		●	●				
6	119.163	1272 304 166	000 262 8834	Synchronizer Ring	2	New Type		●	●				
6	119.054	1250 304 226	336 262 0734	Synchronizer Ring	2	Oldest(*)		●	●				
7	156.025	0732 020 030	336 264 0893	Spring L=31,50	3	Oldest		●	●				
8	155.178	1268 304 143	000 262 1835	Synchronizer Hub	1		AGHLM	●	●				
8	155.060	1272 304 078	000 262 2235	Synchronizer Hub	1		BCD	●					
8	155.060	1272 304 078	000 262 2235	Synchronizer Hub	1		EFNPQR	●					
9	154.032	1272 304 077	000 262 1923	Sliding Sleeve	1			●	●				
10	109.031	1250 304 292	336 262 0240	Synchronizer Cone	1	19 Teeth clutch	BCD	●					
10	109.031	1250 304 292	336 262 0240	Synchronizer Cone	1	19 Teeth clutch	EFNPQR	●					
10	109.021	1269 304 137	000 262 1736	Synchronizer Cone	1	18 Teeth clutch	ALM	●	●				
10	109.111	1268 304 538	000 262 3740	Synchronizer Cone	1	46 Teeth clutch	ALM	●	●				
10	109.398	1268 304 198		Synchronizer Cone	1	18 Teeth clutch	G	●					
10	109.021	1269 304 137	000 262 1736	Synchronizer Cone	1	18 Teeth clutch	H	●					
11	160.116	1240 304 278	336 264 0239	Pressure Piece	3			●	●				
12	156.036	0732 040 386	336 264 0793	Inner Spring De.3x34	3			●	●				
13	156.037	0732 040 385	336 264 0693	Outer Spring De.6x34	3			●	●				
14	145.492	1268 304 247		Gear 5th Speed 32 T	1	18 Teeth clutch	AL	●	●				

Notes

(*) Old Version with 3 spring holes. To be used with spring 156.025 (fig. 7)

Date

05 / 2006

Table

0060

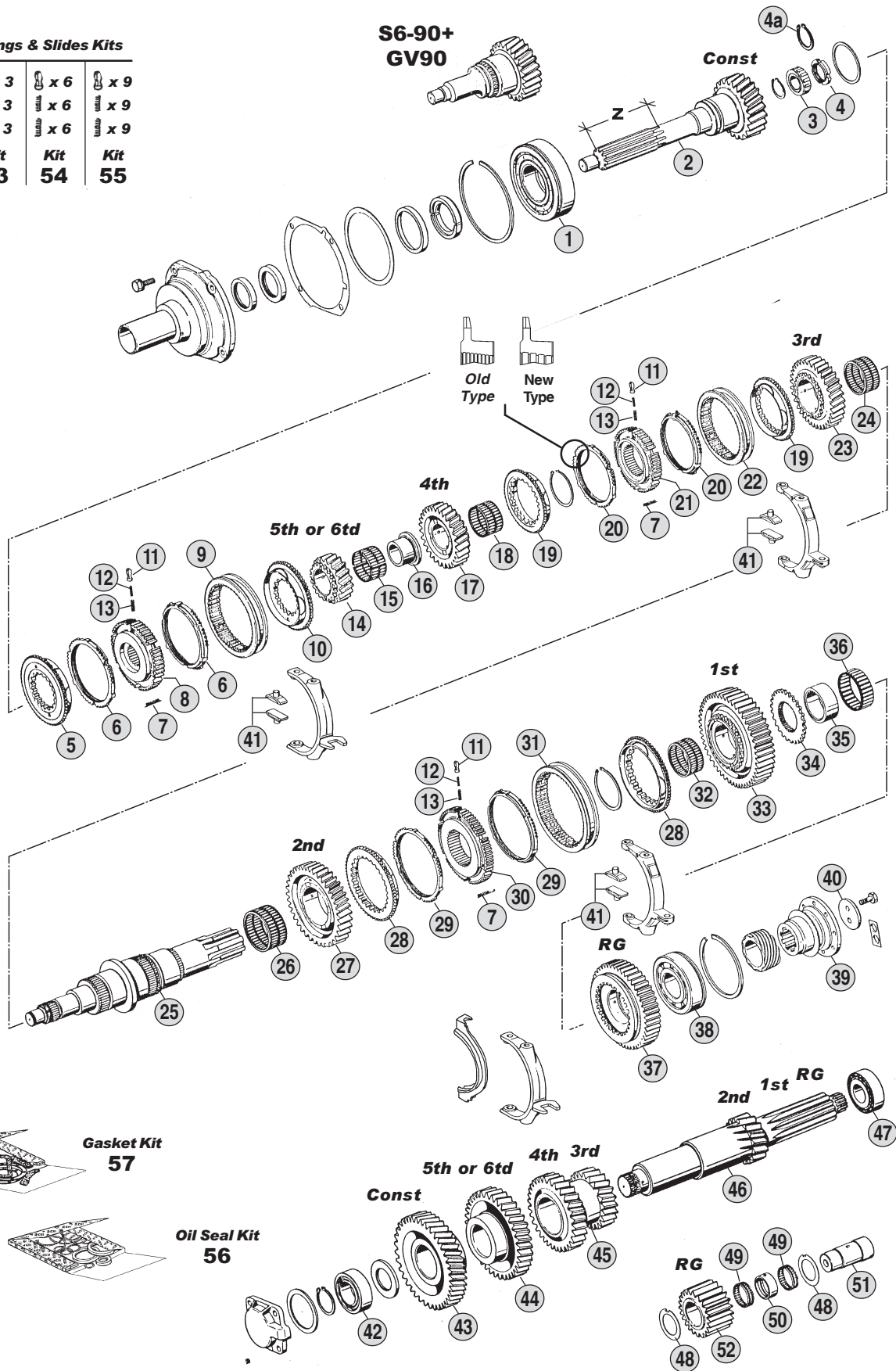
All original equipment manufacturers numbers, symbols, pictures, models and description used in this catalogue are for reference only, and it is not implied that any part listed is the product of these manufacturers. Tutti i nostri particolari non sono originali ma con essi intercambiabili. I riferimenti originali, le figure, i modelli sono esposti a semplice titolo indicativo. La nostra produzione riporta il nostro marchio.

Suitable To : **ZF**

S6-90 and **S6-90+GV**

Springs & Slides Kits

x 3	x 6	x 9
x 3	x 6	x 9
x 3	x 6	x 9
Kit 53	Kit 54	Kit 55



Kits



Ratios

S690+GV	A : 6,98 - 0,820	B : 7,03 - 0,580	C : 7,03 - 0,700	D : 9,01 - 0,820
S6-90	E : 5,66 - 0,700	F : 6,37 - 0,820	G : 6,37 - 1,000	H : 6,37 - 1,000
	L : 6,98 - 1,000	M : 6,98 - 1,000	N : 7,03 - 0,810	P : 7,03 - 1,000
	Q : 9,01 - 1,000	R : 9,08 - 1,000		



All original equipment manufacturers' numbers, symbols, pictures, models and description used in this catalogue are for reference only, and it is not implied that any part listed is the product of these manufacturers. Tutti i nostri particolari non sono originali ma con essi intercambiabili. I riferimenti originali, le figure, i modelli sono esposti a semplice titolo indicativo. La nostra produzione riporta il nostro marchio.

Fig.	CEI no.	O.E.M. Reference		Description	Q.ty	Note	Ratio	S6-90+GV90 S6-90						
		ZF no.	MB no.											
14	145.438	1268 304 535		Gear 5th Speed 32 T	1	46 Teeth clutch	AL	●	●					
14	145.866	1268 304 292		Gear 6th Speed 26 T	1	19 Teeth clutch	BC	●						
14	145.867	1268 304 287		Gear 5th Speed 24 T	1	19 Teeth clutch	DQ	●	●					
14	145.868	1268 304 372		Gear 6th Speed 28 T	1	19 Teeth clutch	E		●					
14	145.869	1268 304 229		Gear 6th Speed 25 T	1	19 Teeth clutch	F		●					
14	145.870	1268 304 373		Gear 5th Speed 28 T	1	18 Teeth clutch	G		●					
14	145.492	1268 304 247		Gear 5th Speed 32 T	1	18 Teeth clutch	H		●					
14	145.493	1268 304 250		Gear 5th Speed 31 T	1	18 Teeth clutch	M		●					
14	145.360	1268 304 536	000 262 4515	Gear 5th Speed 31 T	1	46 Teeth clutch	M		●					
14	145.209	1268 304 015	000 262 0815	Gear 6th Speed 29 T	1	19 Teeth clutch	N		●					
14	145.871	1268 304 040		Gear 5th Speed 28 T	1	19 Teeth clutch	P		●					
14	145.872	1268 304 168		Gear 5th Speed 29 T	1	19 Teeth clutch	R		●					
15	137.107	0735 320 499	009 981 9010	Needle Bearing D.62x70x40	1		AGHLM	●	●					
15	137.091	0735 320 314	005 981 0510	Needle Cage D.57x63x42,5	1		BCD	●						
15	137.091	0735 320 314	005 981 0510	Needle Cage D.57x63x42,5	1		EFNPQR		●					
16	117.238	1268 304 141	000 262 1150	Bush	1		AGHLM	●	●					
16	117.100	1250 304 142	343 262 0250	Bush	1		BCD	●						
16	117.100	1250 304 142	343 262 0250	Bush	1		EFNPQR		●					
17	145.873	1268 304 248		Gear 4th Speed 32 T	1		AHL	●	●					
17	145.208	1268 304 010	000 262 0614	Gear 4th Speed 30 T	1		BCN	●	●					
17	145.214	1268 304 004	000 262 0714	Gear 4th Speed 29 T	1		DQ	●	●					
17	145.857	1268 304 013		Gear 4th Speed 33 T	1		E		●					
17	145.439	1268 304 230		Gear 4th Speed 29 T	1		F		●					
17	145.356	1268 304 251	000 262 2915	Gear 4th Speed 31 T	1		M		●					
17	145.875	1268 304 041	000 262 1314	Gear 4th Speed 30 T	1		GP		●					
17	145.876	1268 304 167		Gear 4th Speed 31 T	1		R		●					
18	137.092	0750 115 284	013 981 9110	Needle Bearing D.58x65x35,50	1			●	●					
19	109.022	1250 304 351	000 262 0340	Synchronizer Cone	2			●	●					
20	119.042	1272 304 076	000 262 1334	Synchronizer Ring	2	Old Type		●	●					
20	119.163	1272 304 166	000 262 8834	Synchronizer Ring	2	New Type		●	●					
20	119.054	1250 304 226	336 262 0734	Synchronizer Ring	2	Oldest(*)		●	●					
21	155.061	1250 304 396	000 262 3035	Synchronizer Hub	1			●	●					
22	154.032	1272 304 077	000 262 1923	Sliding Sleeve	1			●	●					
23	145.877	1268 304 249		Gear 3th Speed 35 T	1		AHL	●	●					
23	145.210	1268 304 009	000 262 0513	Gear 3rd Speed 34 T	1		BCN	●	●					
23	145.215	1268 304 003	000 262 0613	Gear 3rd Speed 35 T	1		DQ	●	●					
23	145.860	1268 304 014		Gear 3rd Speed 38 T	1		E		●					
23	145.879	1268 304 231		Gear 3rd Speed 33 T	1		F		●					
23	145.880	1268 304 018	000 262 1113	Gear 3rd Speed 36 T	1		GP		●					
23	145.357	1268 304 252	000 262 2713	Gear 3rd Speed 35 T	1		M		●					
23	145.881	1268 304 166		Gear 3rd Speed 35 T	1		R		●					
24	137.093	0750 115 134	012 981 5910	Needle Cage D.80x88x39,50	1			●	●					
25	103.107	1268 304 274	000 262 3305	Main Shaft (34 Splines)	1	New w/seeger	AGHLM	●	●					
25	103.076	1250 304 129	343 262 0105	Main Shaft (8 Splines)	1	Old w/nut	BCD	●						
25	103.076	1250 304 129	343 262 0105	Main Shaft (8 Splines)	1	Old w/nut	EFNPQR	●						

Notes

(*) Old Version with 3 spring holes. To be used with spring 156.025 (fig. 7)

Date

05 / 2006

Table

0060

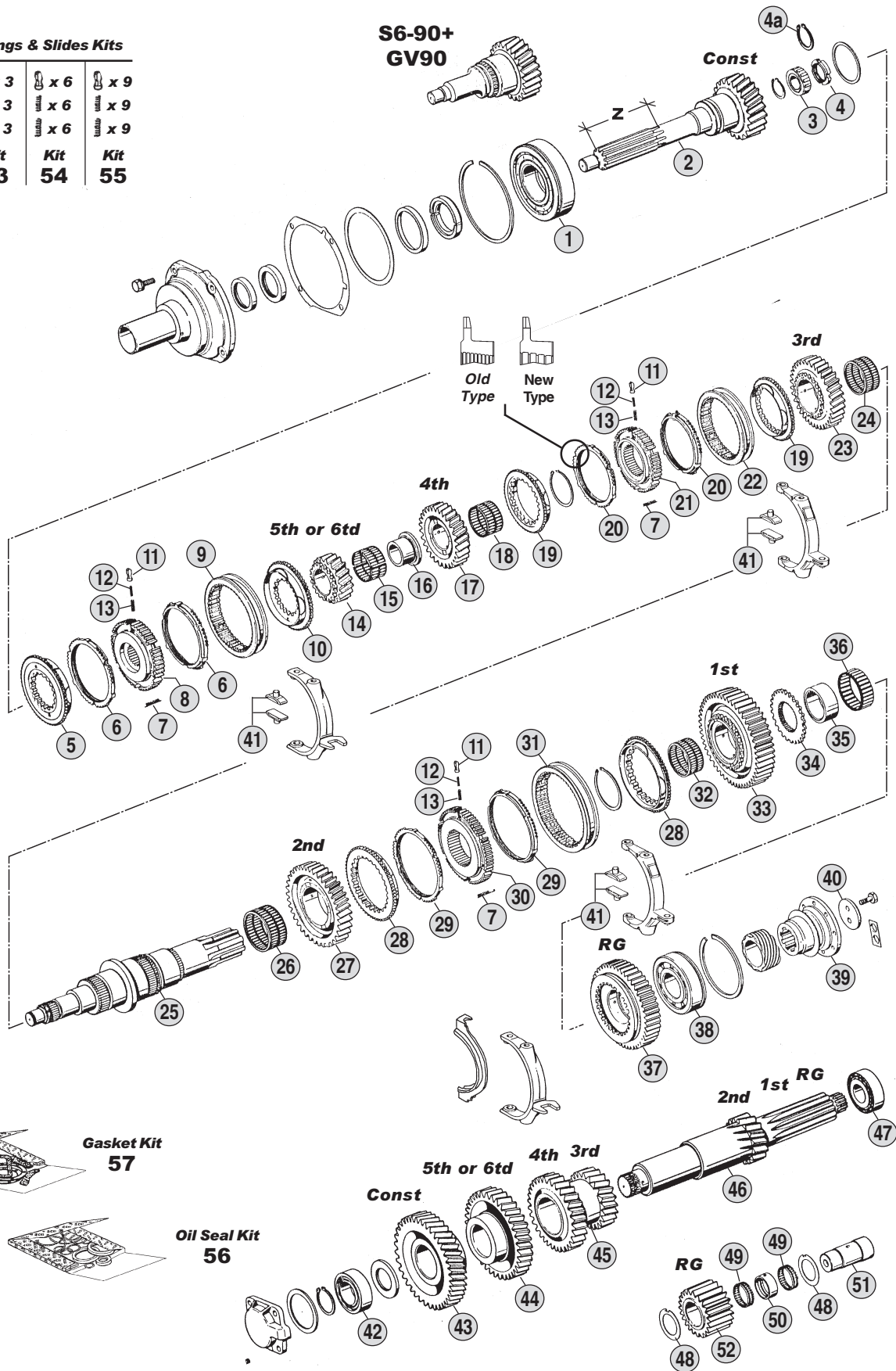
All original equipment manufacturers numbers, symbols, pictures, models and description used in this catalogue are for reference only, and it is not implied that any part listed is the product of these manufactures. Tutti i nostri particolari non sono originali ma con essi intercambiabili. I riferimenti originali, le figure, i modelli sono esposti a semplice titolo indicativo. La nostra produzione riporta il nostro marchio.

Suitable To : **ZF**

S6-90 and **S6-90+GV**

Springs & Slides Kits

x 3	x 6	x 9
x 3	x 6	x 9
x 3	x 6	x 9
Kit 53	Kit 54	Kit 55



Kits



Ratios

S690+GV	A : 6,98 - 0,820	B : 7,03 - 0,580	C : 7,03 - 0,700	D : 9,01 - 0,820	
S6-90	E : 5,66 - 0,700	F : 6,37 - 0,820	G : 6,37 - 1,000	H : 6,37 - 1,000	L : 6,98 - 1,000
	M : 6,98 - 1,000	N : 7,03 - 0,810	P : 7,03 - 1,000	Q : 9,01 - 1,000	R : 9,08 - 1,000



All original equipment manufacturers' numbers, symbols, and description used in this catalogue are for reference only, and it is not implied that any part listed is the product of these manufacturers. Tutti i nostri particolari non sono originali ma con essi intercambiabili. I riferimenti originali, le figure, i modelli sono esposti a semplice titolo indicativo. La nostra produzione riporta il nostro marchio.

Fig.	CEI no.	O.E.M. Reference		Description	Q.ty	Note	Ratio	S6-90+GV90 S6-90						
		ZF no.	MB no.											
25	103.040	1250 304 388	000 262 1405	Main Shaft (34 Splines)	1	Old w/nut	BCD	●						
25	103.040	1250 304 388	000 262 1405	Main Shaft (34 Splines)	1	Old w/nut	EFNPQR	●						
25	103.041	1250 304 474	000 262 2405	Main Shaft (8 Splines)	1	New w/seeger	BCD	●						
25	103.041	1250 304 474	000 262 2405	Main Shaft (8 Splines)	1	New w/seeger	EFNPQR	●						
25	103.048	1250 304 473	000 262 2305	Main Shaft (34 Splines)	1	New w/seeger	BCD	●						
25	103.048	1250 304 473	000 262 2305	Main Shaft (34 Splines)	1	New w/seeger	EFNPQR	●						
26	137.094	0750 115 282	013 981 9210	Needle Cage D.95x103x39,5	1			●	●					
27	145.211	1268 304 204	000 262 2112	Gear 2nd Speed 42 T	1			●	●					
27	145.882	1268 304 273		Gear 2nd Speed 43 T	1		Only H		●					
28	109.029	1250 304 350	000 262 0240	Synchronizer cone	2			●	●					
29	119.055	1250 304 472		Synchronizer Ring	2	Old Type		●	●					
29	119.164	1250 304 391	000 262 1634	Synchronizer Ring	2	New Type		●	●					
29	119.068	1250 304 227	336 262 0634	Synchronizer Ring	2	Oldest(*)		●	●					
30	155.091	1268 304 150	000 262 3135	Synchronizer Hub	1			●	●					
31	154.051	1257 304 020	336 262 0023	Sliding Sleeve 1st-2nd Speed	1			●	●					
32	137.095	0750 115 283	002 981 1710	Needle Cage D.80x88x46	1			●	●					
33	146.125	1268 304 256	000 262 4111	Gear 1st Speed 51 T	1			●	●					
34	109.030	1250 304 006	343 262 0036	Follower Ring	1			●	●					
35	117.101	0730 160 344	343 262 0350	Bush D.70x84x48,70	1			●	●					
36	137.096	0735 320 154	001 981 7410	Needle Cage D.84x96x36	1			●	●					
37	147.072	1268 304 008	000 262 1111	Reverse Gear 47 T	1			●	●					
38	130.258	0750 118 082	005 981 8501	Bearing D.70x150x35	1			●	●					
39	155.075	1250 304 107	343 262 0145	Output Flange D.150	1	8 spl.		●	●					
39	155.079	1250 204 008	366 260 0017	Output Flange D.165	1	8 spl.		●	●					
39	155.102	1268 304 136	000 262 0745	Output Flange D.150	1	34 spl.		●	●					
39	197.067	1268 304 148	000 264 1445	Output Flange D.165	1	34 spl.		●	●					
39	155.132	1269 338 028	000 264 0845	Output Flange D.165 (8 holes)	1	34 spl.		●	●					
39	155.113	1269 338 020	000 264 0945	Output Flange D.180 (10 holes)	1	34 spl.		●	●					
40	188.070	1240 304 117	343 262 0062	Stop Washer	1			●	●					
41	141.061	1272 334 003	000 268 0149	Bronze Slide	2			●	●					
42	130.242	0750 117 010	001 980 8102	Bearing D.50,80x100x35	1			●	●					
43	146.281	1268 303 093	000 263 2910	Constant Gear 46 T	1		ALM	●	●					
43	146.108	1268 303 057	000 263 1410	Constant Gear 48 T	1		BCNP	●	●					
43	146.107	1268 303 056	000 263 1510	Constant Gear 53 T	1		DQ	●	●					
43	146.598	1268 303 059		Constant Gear 44 T	1		E	●	●					
43	146.601	1268 303 084		Constant Gear 42 T	1		FH	●	●					
43	146.602	1268 303 058	000 263 2310	Constant Gear 39 T	1		G	●	●					
43	146.603	1268 303 074		Constant Gear 47 T	1		R	●	●					
44	146.604	1268 303 094		Gear 5th Speed 37 T	1		AHL	●	●					
44	146.208	1268 303 007		Gear 6th Speed 61 T	1		BC	●	●					
44	146.106	1268 303 004	000 263 0815	Gear 5th Speed 34 T	1		DQ	●	●					
44	146.599	1268 303 010		Gear 6th Speed 53 T	1		E	●	●					
44	146.606	1268 303 085		Gear 6th Speed 46 T	1		F	●	●					
44	146.607	1268 303 038	000 263 1315	Gear 5th Speed 33 T	1		GP	●	●					
44	146.280	1268 303 096	000 263 1815	Gear 5th Speed 39 T	1		M	●	●					

Notes

(*) Old Version with 3 spring holes. To be used with spring 156.025 (fig. 7)

Date

05 / 2006

Table

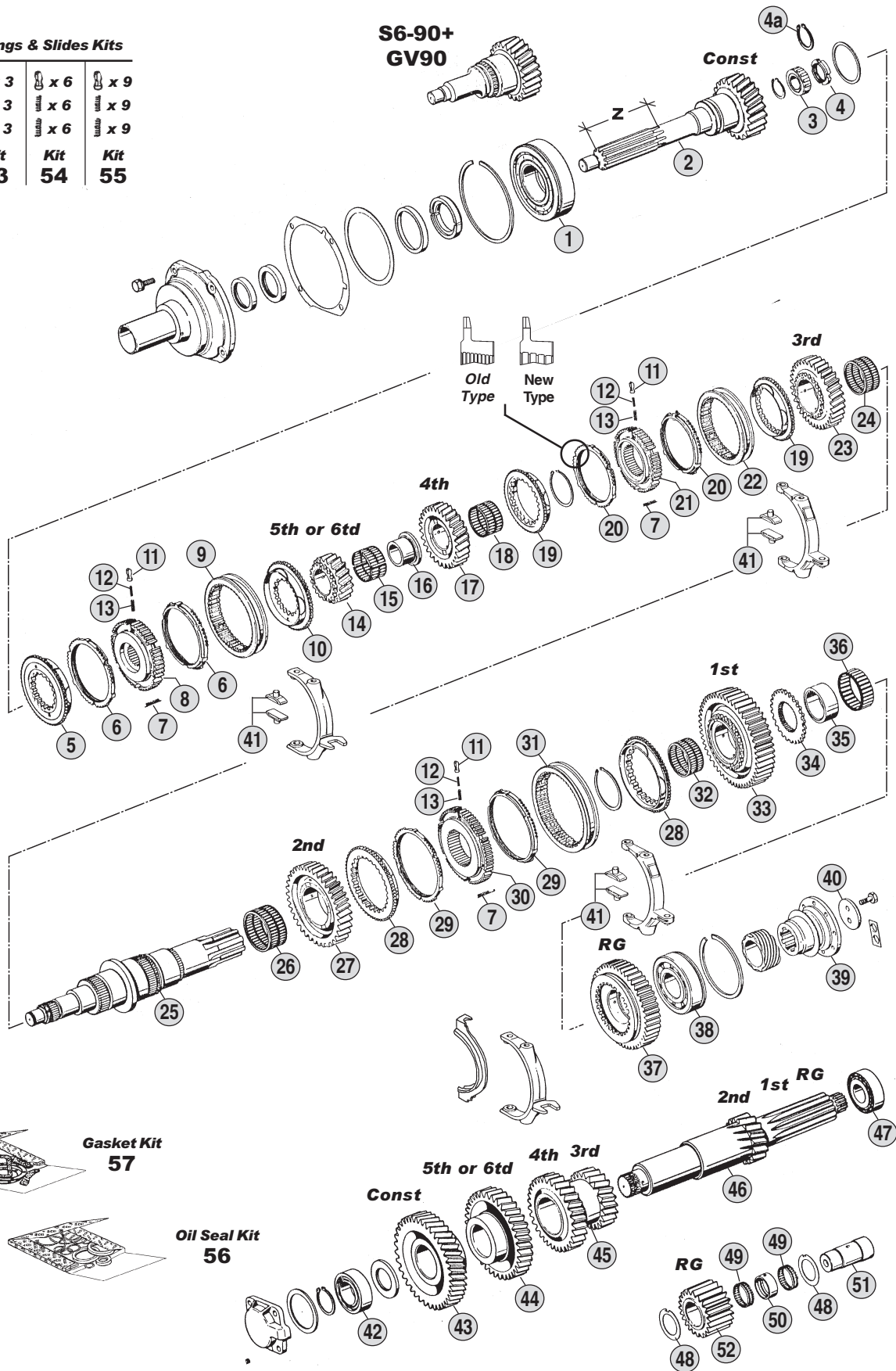
0060

Suitable To : **ZF**

S6-90 and **S6-90+GV**

Springs & Slides Kits

x 3	x 6	x 9
x 3	x 6	x 9
x 3	x 6	x 9
Kit 53	Kit 54	Kit 55



Kits



Ratios

S690+GV	A : 6,98 - 0,820	B : 7,03 - 0,580	C : 7,03 - 0,700	D : 9,01 - 0,820
S6-90	E : 5,66 - 0,700	F : 6,37 - 0,820	G : 6,37 - 1,000	H : 6,37 - 1,000
	L : 6,98 - 1,000	M : 6,98 - 1,000	N : 7,03 - 0,810	P : 7,03 - 1,000
			Q : 9,01 - 1,000	R : 9,08 - 1,000



All original equipment manufacturers' numbers, symbols, and description used in this catalogue are for reference only, and it is not implied that any part listed is the product of these manufacturers. Tutti i nostri particolari non sono originali ma con essi intercambiabili. I riferimenti originali, le figure, i modelli sono esposti a semplice titolo indicativo. La nostra produzione riporta il nostro marchio.

Fig.	CEI no.	O.E.M. Reference		Description	Q.ty	Note	Ratio							
		ZF no.	MB no.					S6-90+GV90	S6-90					
44	146.105	1268 303 012	000 263 0715	Gear 6th Speed 59 T	1		N	●						
44	146.608	1268 303 073		Gear 5th Speed 42 T	1		R	●						
45	143.130	1268 303 095		Double Gear 3/4th-20/26 T	1		AHL	●	●					
45	143.038	1268 303 006	000 263 0613	Double Gear 3rd/4th-23/33 T	1		BCN	●	●					
45	143.039	1268 303 005	000 263 0713	Double Gear 3rd/4th-23/28 T	1		DQ	●	●					
45	143.129	1268 303 011		Double Gear 3rd/4th-23/30 T	1		E	●						
45	143.132	1268 303 086		Double Gear 3/4th-23/32 T	1		F	●						
45	143.133	1268 303 039	000 263 1113	Double Gear 3/4th-27/22 T	1		GP	●						
45	143.073	1268 303 097	000 263 2013	Double Gear 21/27 T	1		M	●						
45	143.134	1268 303 072		Double Gear 3/4th Speed	1		R	●						
46	105.042	1268 203 001	000 260 0124	Countershaft 12/17 T	1			●	●					
46	105.190	1268 203 061		Countershaft 12/17 T	1		Only H	●						
47	130.263	0750 117 778	004 981 1305	Bearing D.45x100x38,2	1			●	●					
48	169.234	0730 150 064	343 263 0062	Thrust Washer	2			●	●					
49	137.007	0750 115 011	010 981 1010	Needle Cage D.45x53x21	2			●	●					
50	169.443	1250 305 006	000 263 0650	Spacer	1			●	●					
51	107.072	1250 305 003	343 263 0030	Reverse Pin	1			●	●					
52	147.071	1268 305 009	343 263 0062	Reverse Gear 20 T	1			●	●					
53	198.339	1268 298 938	CEI 198339	Spring Slide Set	1			●	●					
54	198.564	CEI 198564		Spring Slide Set	1			●	●					
55	198.842	1295 298 933		Spring Slide Set	1			●	●					
56	198.419	1268 298 903		Oil Seal Kit	1			●	●					
57	198.420	1268 298 904	CEI 198420	Gasket Kit	1			●	●					

S6-90

1268 xxx xxx

Notes

(*) Old Version with 3 spring holes. To be used with spring 156.025 (fig. 7)

Date

05 / 2006

Table

0060

suitable to :

Z.F.

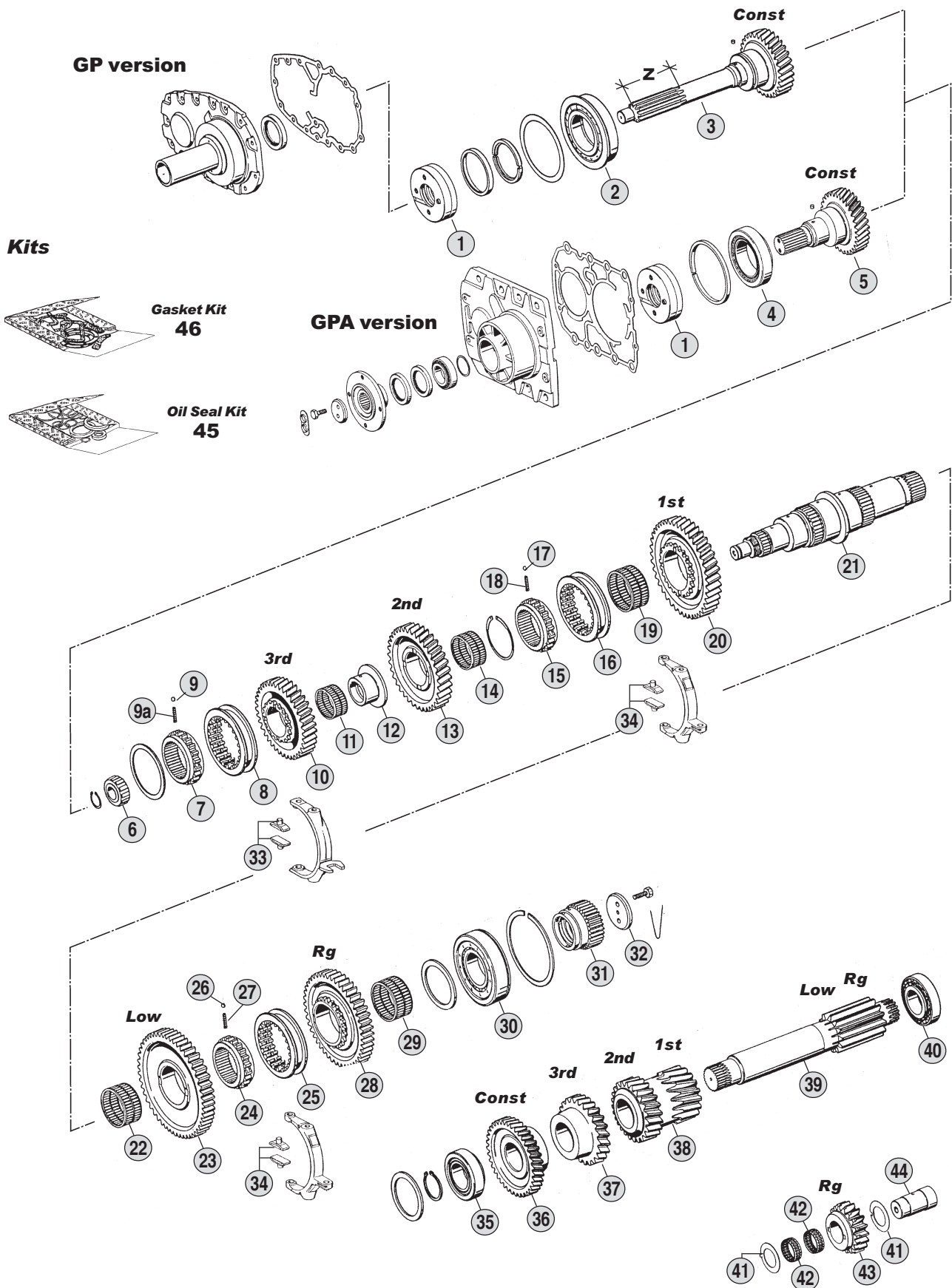
Old Range

5K90 GP
5K90 GPA
5K91 GP
5K91 GPA

5S90 GP
5S92 GP
5S90 GPA

(1272 xxx xxx)

OLD RANGE
5K/590-91-92

Suitable To : **ZF****5K90GP/GPA and 5K91GP/GPA**

All original equipment manufacturers' numbers, symbols, pictures, models and description used in this catalogue are for reference only, and it is not implied that any part listed is the product of these manufactures. Tutti i nostri particolari non sono originali ma con essi intercambiabili. I riferimenti originali, le figure, i modelli sono esposti a semplice titolo indicativo. La nostra produzione riporta il nostro marchio.

Ratios

5K90GP	13,00-1,00
5K91GP	13,00-1,00
5K90GPA	13,32-1,02
5K91GPA	13,32-1,02

Fig.	CEI no.	O.E.M. Reference		Description	Q.ty	Note	Ratio	5K-90GP				5K-91GP				5K-90GPA				5K-91GPA			
		ZF no.	MB no.																				
1	280.303	1269 202 104	000 260 1090	Oil Pump	1			●	●	●	●												
1	280.348	1295 202 041	000 260 1290	Oil Pump	1	Can Repl.1269 202 104		●	●	●	●												
2	130.235	0735 370 033	005 981 5005	Bearing D.80x140x25	1			●	●														
3	190.202	1272 298 904	000 262 6102	Input Shaft 33 T	1	Z=116 mm	(#)	●	●														
3	190.398	1272 298 911		Input Shaft 33 T	1	Z=110 mm	(@)	●	●														
4	130.693	0750 117 381		Bearing D.80x140x28,2	1							●	●										
5	102.134	1272 298 907	000 262 8402	Input Shaft 33 T	5		(#)							●	●								
5	102.381	1272 298 914	000 262 9802	Input Shaft 33 T	1		(@)									●	●						
6	137.087	0750 118 019	004 981 5801	Roller Cage D.30x60x26	1			●	●	●	●												
7	155.076	1250 304 185	343 262 0427	Synchronizer Hub	1		(#)	●	●	●	●												
7	155.143	1272 304 124	000 262 1927	Synchronizer Hub	1		(@)	●	●	●	●												
8	154.053	1250 304 362	000 262 2323	Sliding Sleeve	1		(#)	●	●	●	●												
8	154.100	1250 304 440	000 262 3723	Sliding Sleeve	1		(@)	●	●	●	●												
9	171.014	0635 460 010	002 981 5685	Ball D.6	3			●	●	●	●												
9A	156.150	1203 321 009	002 993 1801	Spring De.5,50x12	3			●	●	●	●												
10	145.155	1272 304 139	000 262 4513	Gear 3rd Speed 33 T	1		(#)	●	●	●	●												
10	145.313	1272 304 123	000 262 3613	Gear 3rd Speed 33 T	1		(@)	●	●	●	●												
11	137.265	0735 320 731	012 981 7810	Needle Cage D.57x63x18,5	1			●	●	●	●												
12	117.145	1283 304 004	000 262 0750	Bushing D.45x57x84	1			●	●	●	●												
13	145.283	1272 304 080	000 262 1212	Gear 2nd Speed 38 T	1		(#)	●	●	●	●												
13	145.314	1272 304 121	000 262 2912	Gear 2nd Speed 38 T	1		(@)	●	●	●	●												
14	137.266	0735 320 732	012 981 7910	Needle Cage D.65x73x16,4	1			●	●	●	●												
15	155.077	1250 304 234	343 262 0527	Synchronizer Hub	1		(#)	●	●	●	●												
15	155.153	1272 304 125	000 262 2027	Synchronizer Hub	1		(@)	●	●	●	●												
16	154.056	1250 304 233	000 262 1023	Sliding Sleeve	1		(#)	●	●	●	●												
16	154.101	1250 304 441	000 262 3823	Sliding Sleeve	1		(@)	●	●	●	●												
17	171.014	0635 460 010	002 981 5685	Ball D.6	3			●	●	●	●												
18	156.124	0732 040 497	343 264 0993	Spring De.6x7	3			●	●	●	●												
19	137.074	0750 115 227	005 981 9910	Needle Bearing D.75x83x40	1			●	●	●	●												
20	145.282	1272 304 079	000 262 2811	Gear 1st Speed 43 T	1		(#)	●	●	●	●												
20	145.315	1272 304 119	000 262 5511	Gear 1st Speed 43 T	1		(@)	●	●	●	●												
21	103.077	1272 304 058	000 262 1505	Main Shaft (GP version)	1			●	●														
21	103.078	1272 304 065	000 262 1605	Main Shaft (GPA version)	1					●	●												
22	137.075	0735 320 377	006 981 6410	Needle Cage D.75x83x33	1			●	●	●	●												
23	145.268	1283 304 007	000 262 2211	Gear Low Speed 44 T	1			●	●	●	●												
24	155.139	1246 304 136	000 262 1627	Synchronizer Hub	1			●	●	●	●												
25	154.056	1250 304 233	000 262 1023	Sliding Sleeve	1			●	●	●	●												
26	171.014	0635 460 010	002 981 5685	Ball D.6	1			●	●	●	●												
27	156.124	0732 040 497	343 264 0993	Spring De.6x7	3			●	●	●	●												
28	145.269	1283 304 022	000 262 2411	Reverse Gear 38 T	1			●	●	●	●												
29	137.267	0735 320 417	012 981 7910	Needle cage D.65x73x33	1			●	●	●	●												
30	130.694	0750 118 015	005 981 5201	Bearing D.55x120x29	1			●	●	●	●												
31	157.102	1285 304 038	000 262 2210	Sun Gear 35 T	1			●	●	●	●												
32	188.076	1272 304 021	000 262 2762	Stop Washer	1			●	●	●	●												
33	141.079	1283 306 003	000 268 0249	Bronze slide (Bronze)	2			●	●	●	●												

All original equipment manufacturers numbers, symbols, pictures, models and description used in this catalogue are for reference only, and it is not implied that any part listed is the product of these manufactures.
Tutti i nostri particolari non sono originali ma con essi intercambiabili. I riferimenti originali, le figure, i modelli sono esposti a semplice titolo indicativo. La nostra produzione riporta il nostro marchio.

Notes

(# - @) Different coupling cone versions.To be coupled together. **DO NO MIX**
The new version (@) **dont use** balls and springs

Date

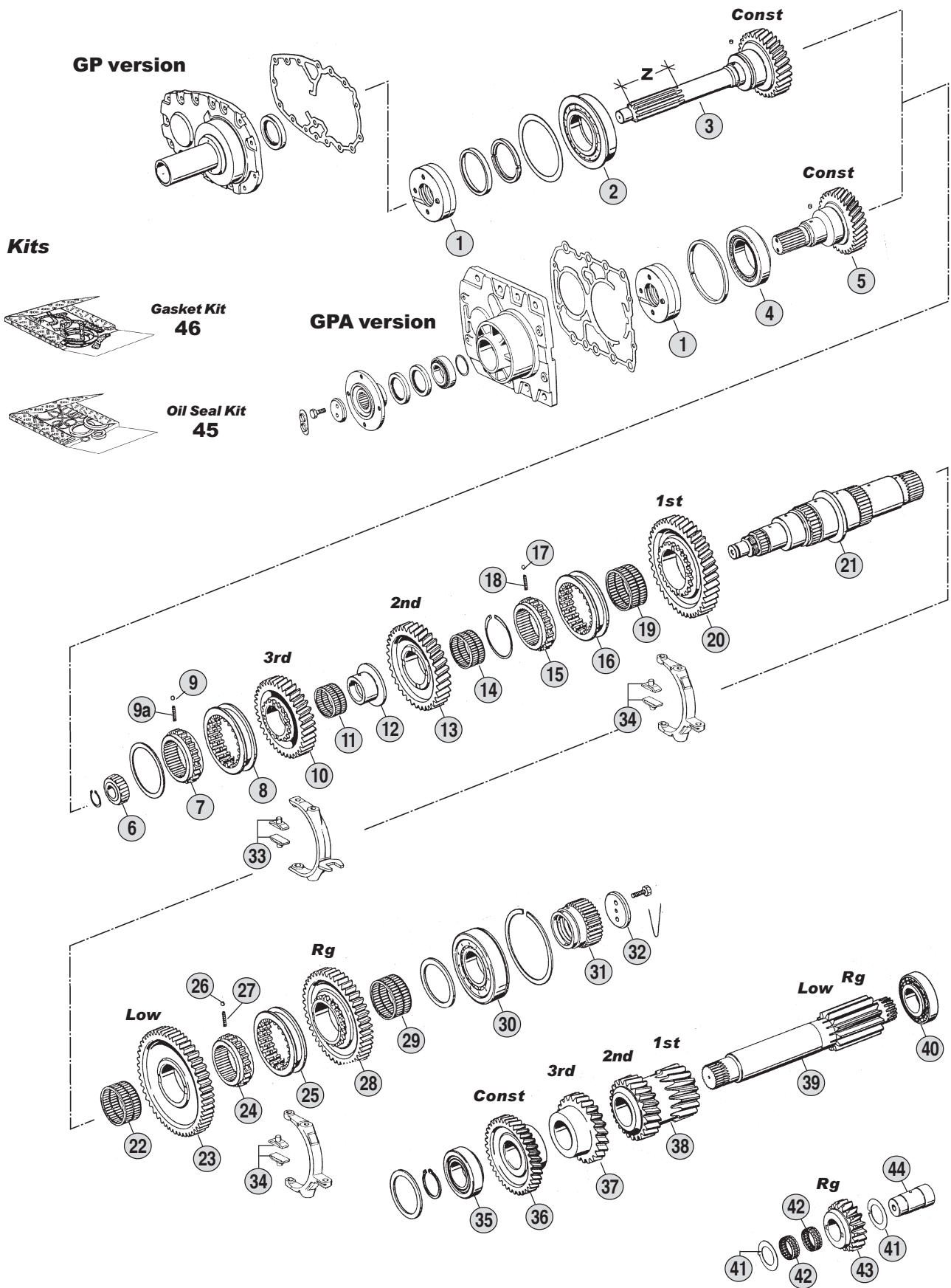
05 / 2006

Table

0070/A

Suitable To : **ZF**

5K90GP/GPA and 5K91GP/GPA



All original equipment manufacturers' numbers, symbols, pictures, models and description used in this catalogue are for reference only, and it is not implied that any part listed is the product of these manufactures. Tutti i nostri particolari non sono originali ma con essi intercambiabili. I riferimenti originali, le figure, i modelli sono esposti a semplice titolo indicativo. La nostra produzione riporta il nostro marchio.

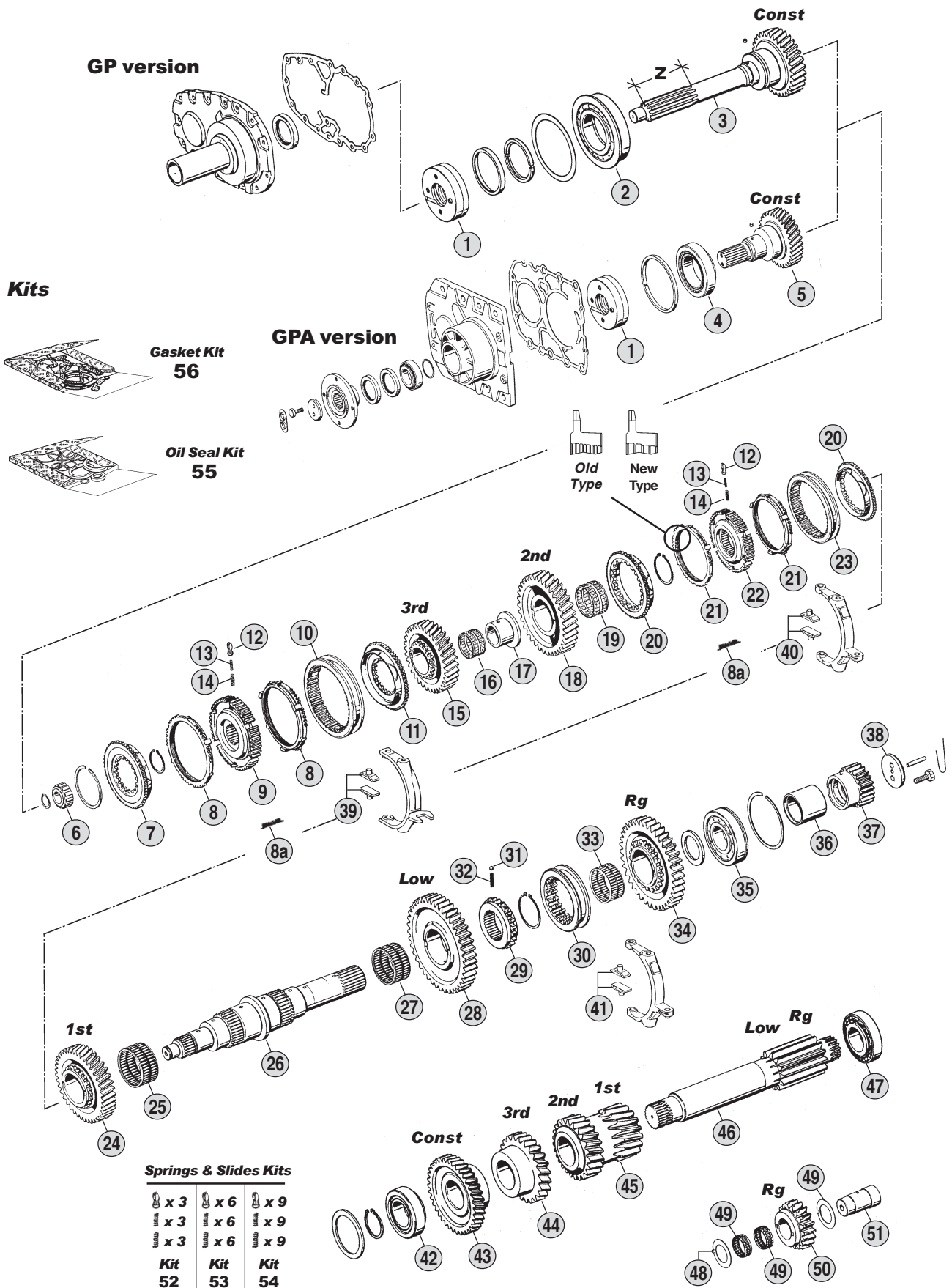
Ratios

5K90GP	13,00-1,00
5K91GP	13,00-1,00
5K90GPA	13,32-1,02
5K91GPA	13,32-1,02



Suitable To : **ZF**

5S90GP/GPA and 5S92GP



All original equipment manufacturers' numbers, symbols, pictures, models and description used in this catalogue are for reference only, and it is not implied that any part listed is the product of these manufactures. Tutti i nostri particolari non sono originali ma con essi intercambiabili. I riferimenti originali, le figure, i modelli sono esposti a semplice titolo indicativo. La nostra produzione riporta il nostro marchio.

Ratios

5S90GP	13,00-1,00
5S92GP	13,01-1,00
5S90GPA	13,32-1,02

Fig.	CEI no.	O.E.M. Reference		Description	Q.ty	Note	Ratio							
		ZF no.	MB no.					5S-90GP	5S-92GP	5S-90GPA				
1	280.303	1269 202 104	000 260 1090	Oil Pump	1			●	●	●				
1	280.348	1295 202 041	000 260 1290	Oil Pump	1	Can Repl. 1269 202 104		●	●	●				
2	130.235	0735 370 033	005 981 5005	Bearing D.80x140x25	1			●	●					
3	190.202	1272 298 904	000 262 6102	Input Shaft 33 T	1	Z=116 mm		●						
3	190.187	1272 298 909	000 262 9202	Input Shaft 33 T	1	Z=125 mm		●						
3	102.132	1272 298 915	001 262 0002	Input Shaft 33 T	1	Z=110 mm			●					
3	102.382	1272 298 917		Input Shaft 33 T	1	Z=116 mm			●					
3	190.204	1272 298 918	001 262 0502	Input Shaft 33 T	1	Z=125 mm			●					
4	130.693	0750 117 381		Bearing D.80x140x28,2	1					●				
5	102.133	1272 298 903	000 262 6202	Input Shaft 33 T	1					●				
6	137.087	0750 118 019	004 981 5801	Roller Cage D.30x60x26	1			●	●	●				
7	109.031	1250 304 292	336 262 0240	Synchronizer Cone	1			●		●				
7	109.028	1272 304 136	000 262 1740	Synchronizer Cone	1				●					
8	119.042	1272 304 076	000 262 1334	Synchronizer Ring	2	Old Type		●	●	●				
8	119.163	1272 304 166	000 262 8834	Synchronizer Ring	2	New Type		●	●	●				
8	119.054	1250 304 226	336 262 0734	Synchronizer Ring	2	Oldest(*)		●	●	●				
8A	156.025	0732 020 030	336 264 0893	Spring L=31,50	3	Oldest		●	●	●				
9	155.060	1272 304 078	000 262 2235	Synchronizer Hub	1			●		●				
9	155.141	1272 304 135	000 262 4135	Synchronizer Hub	1				●					
10	154.032	1272 304 077	000 262 1923	Sliding Sleeve	1			●	●	●				
11	109.028	1272 304 136	000 262 1740	Synchronizer Cone	1			●	●	●				
12	160.116	1240 304 278	336 264 0239	Pressure Piece	3			●	●	●				
13	156.036	0732 040 386	336 264 0793	Inner Spring De.3x34	3			●	●	●				
14	156.037	0732 040 385	336 264 0693	Outer Spring De.6x34	3			●	●	●				
15	145.155	1272 304 139	000 262 4513	Gear 3rd Speed 33 T	1			●		●				
15	145.284	1272 304 134	000 262 4313	Gear 3rd Speed 37 T	1				●					
16	137.265	0735 320 731	012 981 7810	Needle Cage D.57x63x18,5	1			●	●	●				
17	117.145	1283 304 004	000 262 0750	Bushing D.45x57x84	1			●	●	●				
18	145.283	1272 304 080	000 262 1212	Gear 2nd Speed 38 T	1			●		●				
18	145.288	1272 304 131	000 262 3412	Gear 2nd Speed 40 T	1				●					
19	137.266	0735 320 732	012 981 7910	Needle Cage D.65x73x16,4	1			●	●	●				
20	109.022	1250 304 351	000 262 0340	Synchronizer Cone	2			●	●	●				
21	119.042	1272 304 076	000 262 1334	Synchronizer Ring	2	Old Type		●	●	●				
21	119.163	1272 304 166	000 262 8834	Synchronizer Ring	2	New Type		●	●	●				
21	119.054	1250 304 226	336 262 0734	Synchronizer Ring	1	Oldest(*)		●	●	●				
22	155.123	1272 304 075	000 262 2135	Synchronizer Hub	1			●		●				
22	155.142	1272 304 130	000 262 4035	Synchronizer Hub	1				●					
23	154.032	1272 304 077	000 262 1923	Sliding Sleeve	1			●	●	●				
24	145.282	1272 304 079	000 262 2811	Gear 1st Speed 43 T	1			●		●				
24	145.290	1272 304 132	000 262 6511	Gear 1st Speed 43 T	1				●					
25	137.074	0750 115 227	005 981 9910	Needle Bearing D.75x83x40	1			●	●	●				
26	103.077	1272 304 058	000 262 1505	Main Shaft (GP version)	1			●	●					
26	103.078	1272 304 065	000 262 1605	Main Shaft (GPA version)	1					●				
27	137.075	0735 320 377	006 981 6410	Needle Cage D.75x83x33	1			●	●	●				
28	145.268	1283 304 007	000 262 2211	Gear Low Speed 44 T	1			●		●				

Notes

(*) Old Version with 3 spring holes. To be used with spring 156.025 (fig. 8A)

Date

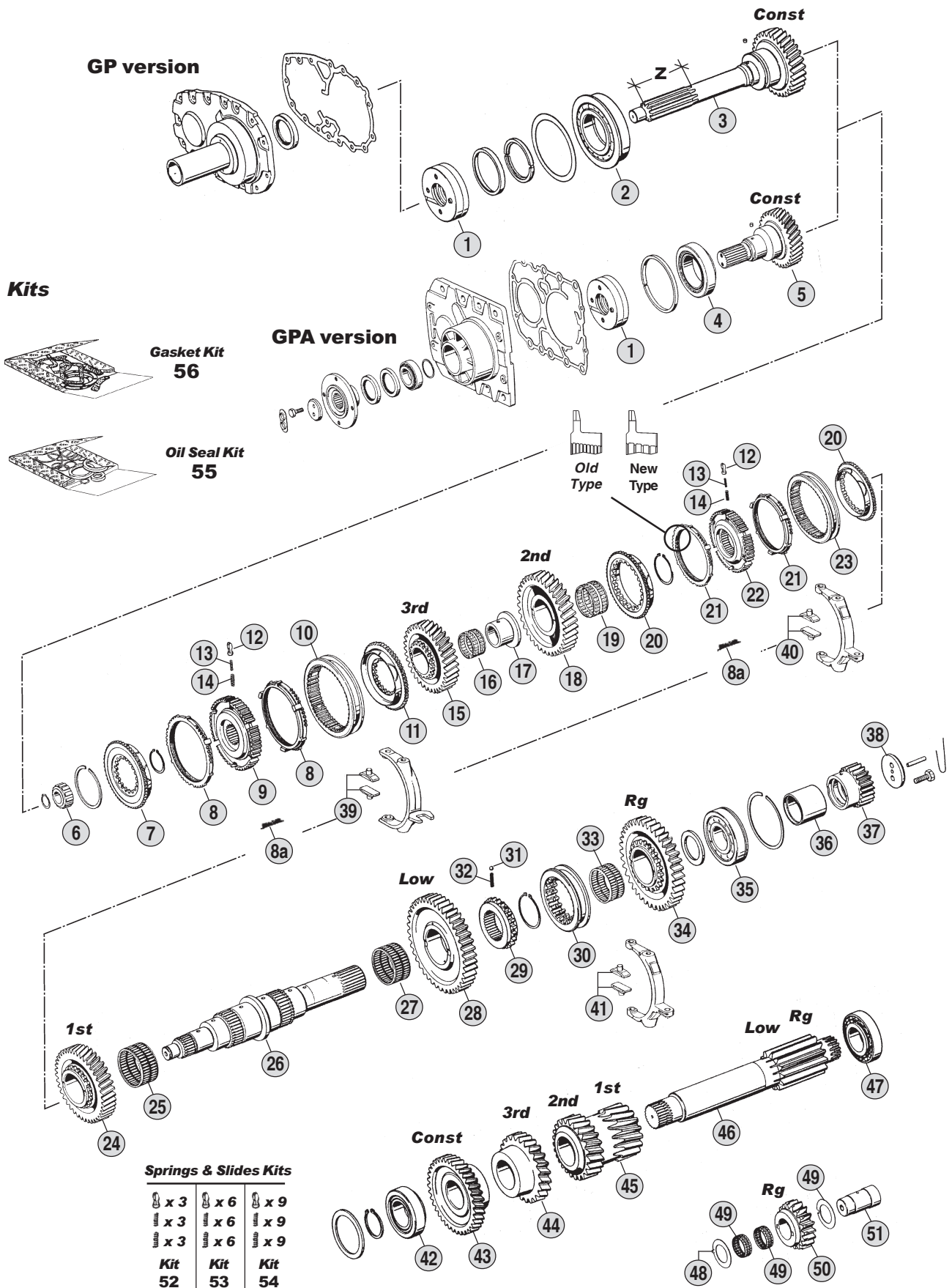
05 / 2006

Table

0070 / B

Suitable To : **ZF**

5S90GP/GPA and 5S92GP



All original equipment manufacturers numbers, symbols, pictures, models and description used in this catalogue are for reference only, and it is not implied that any part listed is the product of these manufactures. Tutti i nostri particolari non sono originali ma con essi intercambiabili. I riferimenti originali, le figure, i modelli sono esposti a semplice titolo indicativo. La nostra produzione riporta il nostro marchio.

Ratios

5S90GP	13,00-1,00
5S92GP	13,01-1,00
5S90GPA	13,32-1,02



Fig.	CEI no.	O.E.M. Reference		Description	Q.ty	Note	Ratio					
		ZF no.	MB no.					5S-90GP	5S-92GP	5S-90GPA		
28	145.291	1272 304 133	000 262 6611	Gear Low Speed 44 T	1			●				
29	155.139	1246 304 136	000 262 1627	Synchronizer Hub	1			●	●	●		
30	154.056	1250 304 233	000 262 1023	Sliding Sleeve	1			●	●	●		
31	171.014	0635 460 010	002 981 5685	Ball D.6	3			●	●	●		
32	156.124	0732 040 497	343 264 0993	Spring De.6x7	3			●	●	●		
33	137.267	0735 320 417	012 981 7910	Needle cage D.65x73x33	1			●	●	●		
34	145.269	1283 304 022	000 262 2411	Reverse Gear 38 T	1			●	●	●		
35	130.694	0750 118 015	005 981 5201	Bearing D.55x120x29	1			●	●	●		
36	117.204	1272 304 066	000 262 1553	Bushing	1			●	●	●		
37	157.102	1285 304 038	000 262 2210	Sun Gear 35 T	1			●	●	●		
38	188.076	1272 304 021	000 262 2762	Stop Washer	1			●	●	●		
39	141.079	1283 306 003	000 268 0249	Bronze slide (Bronze)	2			●	●	●		
40	141.061	1272 334 003	000 268 0149	Bronze Slide	2			●	●	●		
41	141.068	1295 306 132	000 268 0849	Bronze Slide	2			●	●	●		
42	130.234	0750 117 083	009 981 3301	Bearing D.50,8x95,2x27,7	1			●	●	●		
43	146.207	1272 303 025	000 263 2410	Constant gear 37 T	1			●	●	●		
44	146.206	1272 303 027	000 263 1313	Gear 3rd Speed 27 T	1			●		●		
44	146.214	1272 303 042	000 263 2613	Gear 3rd Speed 32 T	1				●			
45	143.065	1272 303 026	000 263 1213	Double Gear 1st/2nd-19/23 T	1			●		●		
45	143.066	1272 303 041	000 263 2513	Double Gear 1st/2nd-20/26 T	1				●			
46	105.059	1283 303 002	000 263 1602	Countershaft 13 T	1			●		●		
46	105.061	1272 303 040	000 263 3002	Countershaft 13 T	1				●			
47	130.233	1246 203 008	001 980 9602	Roller Bearing D.44,45x95,25x28	1			●	●	●		
48	169.234	0730 150 064	343 263 0062	Thrust Washer	2			●	●	●		
49	137.007	0750 115 011	010 981 1010	Needle Cage D.45x53x21	2			●	●	●		
50	147.117	1283 305 004	000 263 1331	Reverse Gear 21 T	1			●	●	●		
51	107.088	1269 305 003	000 263 0530	Reverse Pin	1			●	●	●		
52	198.339	1268 298 938	CEI 198339	Spring Slide Set	1			●	●	●		
53	198.564	CEI 198564		Spring Slide Set	1			●	●	●		
54	198.842	1295 298 933		Spring Slide Set	1			●	●	●		
55	298.029	1272 298 922		Oil Seal Kit	1			●	●			
56	298.030	1272 298 921		Gasket Kit	1			●	●			

Notes

(*) Old Version with 3 spring holes. To be used with spring 156.025 (fig. 8A)

Date

05 / 2006

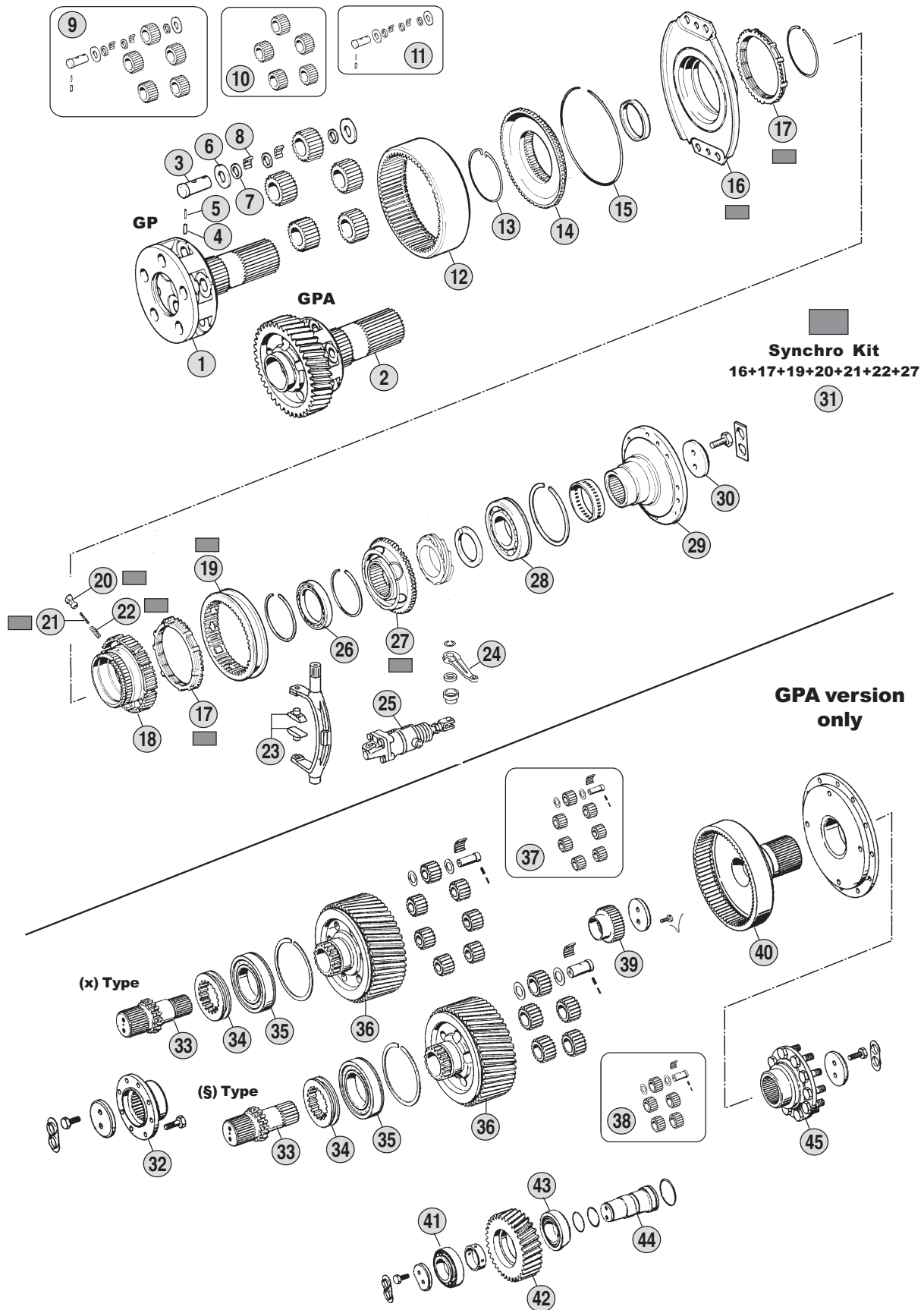
Table

0070 / B

All original equipment manufacturers numbers, symbols, pictures, models and description used in this catalogue are for reference only, and it is not implied that any part listed is the product of these manufactures. Tutti i nostri particolari non sono originali ma con essi intercambiabili. I riferimenti originali, le figure, i modelli sono esposti a semplice titolo indicativo. La nostra produzione riporta il nostro marchio.

Suitable To : **ZF**

5K/S90-91 GP/GPA and 5S92GP



All original equipment manufacturers' numbers, symbols, pictures, models and description used in this catalogue are for reference only, and it is not implied that any part listed is the product of these manufactures. Tutti i nostri particolari non sono originali ma con essi intercambiabili. I riferimenti originali, le figure, i modelli sono esposti a semplice titolo indicativo. La nostra produzione riporta il nostro marchio.

Ratios

5K/S 90-91 GP	13,00-1,00
5S92GP	13,01-1,00
5K/S 90-91 GPA	13,32-1,02

Fig.	CEI no.	O.E.M. Reference		Description	Q.ty	Note	Ratio						
		ZF no.	MB no.					5K/S 90-91 GP	5S-92GP	5K/S 90-91 GPA			
1	190.182	1285 232 003	000 260 0661	Planet Carrier	1			●	●				
2	190.399	1272 232 014	000 260 1661	Planet Carrier (GPA)	1					●			
3	107.100	1285 332 011	000 264 1818	Pin	5			●	●	●			
4	160.151	0631 329 048	001481 005026	Lock Pin D.5x20	5			●	●	●			
5	160.152	0631 329 016	001481 003021	Lock Pin D.3x20	5			●	●	●			
6	169.396	0501 304 692	002 264 5152	Thrust Washer 1,50	10			●	●	●			
7	169.397	0730 103 102	002 264 5252	Spacer Ring 1,50	15			●	●	●			
8	171.015	0735 470 027	001 981 0087	Needle D.5x13,80	200			●	●	●			
9	198.449	1272 298 925	000 262 0006	Planetary Gear Set (complete)	1			●	●	●			
10	198.337	1285 232 901	000 260 0397	Planetary Gear Set (5 pcs)	1			●	●	●			
11	198.448	CEI 198448	CEI 198448	Overhaul Planetary Gear Kit	1	Complete (For 5 series)		●	●	●			
12	123.159	1285 332 005	000 264 2021	Crown Gear 85 T	1			●	●	●			
13	111.266	0730 505 027	001 994 0135	Lock Ring	1			●	●	●			
14	150.109	1285 332 006	000 264 1576	Carrier Hub 85 T	1			●	●	●			
15	111.267	0730 505 054	001 994 4135	Lock Ring A=2	1			●	●	●			
16	135.077	1285 233 007	000 262 1937	Synchronizer Cone	1			●	●	●			
17	119.078	1272 333 019	000 262 1434	Synchronizer Ring	2			●	●	●			
18	155.126	1272 333 020	000 262 2335	Synchronizer Hub	1			●	●	●			
19	154.081	1285 333 020	000 262 3923	Sliding Sleeve	1			●	●	●			
20	160.127	1285 333 007	000 262 0840	Pressure Piece	6			●	●	●			
21	156.036	0732 040 386	336 264 0793	Inner Spring De.3x34	6			●	●	●			
22	156.037	0732 040 385	336 264 0693	Outer Spring De.6x34	6			●	●	●			
23	141.068	1295 306 132	000 268 0849	Bronze Slide	2			●	●	●			
24	149.207	1285 334 023	000 264 2424	Shift Lever	1			●	●	●			
25	280.630	0750 132 019	000 260 4663	Cylinder	1			●	●	●			
26	130.265	0735 340 080	002 981 7825	Bearing D.70x90x10	1			●	●	●			
27	109.066	1285 333 021	000 262 1637	Synchronizer Cone	1			●	●	●			
28	130.266	0750 116 036	003 981 9925	Bearing D.65x120x23	1			●	●	●			
29	155.138	1285 338 004	000 262 1045	Output Flange	1			●	●				
29	155.137	1285 338 005	000 264 1545	Output Flange	1			●	●				
30	188.070	1240 304 117	343 262 0062	Stop Washer	1			●	●				
31	198.757	1269 298 978		Synchronizer Kit	1			●	●	●			
32	197.138	1269 339 048	000 260 0717	Output Flange (GPA)	1					●			
33	101.140	1272 339 009	000 262 6002	Shaft 34 T (GPA)	1		(x)			●			
33	101.141	1272 339 008	000 262 5302	Shaft (GPA)	1		(S)			●			
34	154.368	1272 339 003	000 262 2223	Guide Sleeve	1					●			
35	130.695	0635 416 273	005412 520217	Bearing D.85x150x28	1					●			
36	190.400	1272 237 008	000 260 1161	Planet Carrier (GPA)	1		(x)			●			
36	190.401	1272 237 007	000 260 1061	Planet Carrier (GPA)	1		(S)			●			
37	298.031	1272 298 927	000 262 0206	Repair kit (7 pcs.)	1		(x)			●			
38	298.032	1272 298 926	000 262 0106	Repair kit (5 pcs.)	1		(S)			●			
39	145.883	1272 339 007	000 262 2410	Gear 33 T (GPA)	1		(S)			●			
40	103.193	1272 338 021	000 262 5202	Shaft (GPA)	1					●			
41	130.696	0635 373 008		Bearing D.60x110x29,75	1					●			
42	145.884	1272 336 025	000 264 2221	Gear (GPA)	1					●			

Notes

(x - S) Different versions.To be coupled together. DO NO MIX

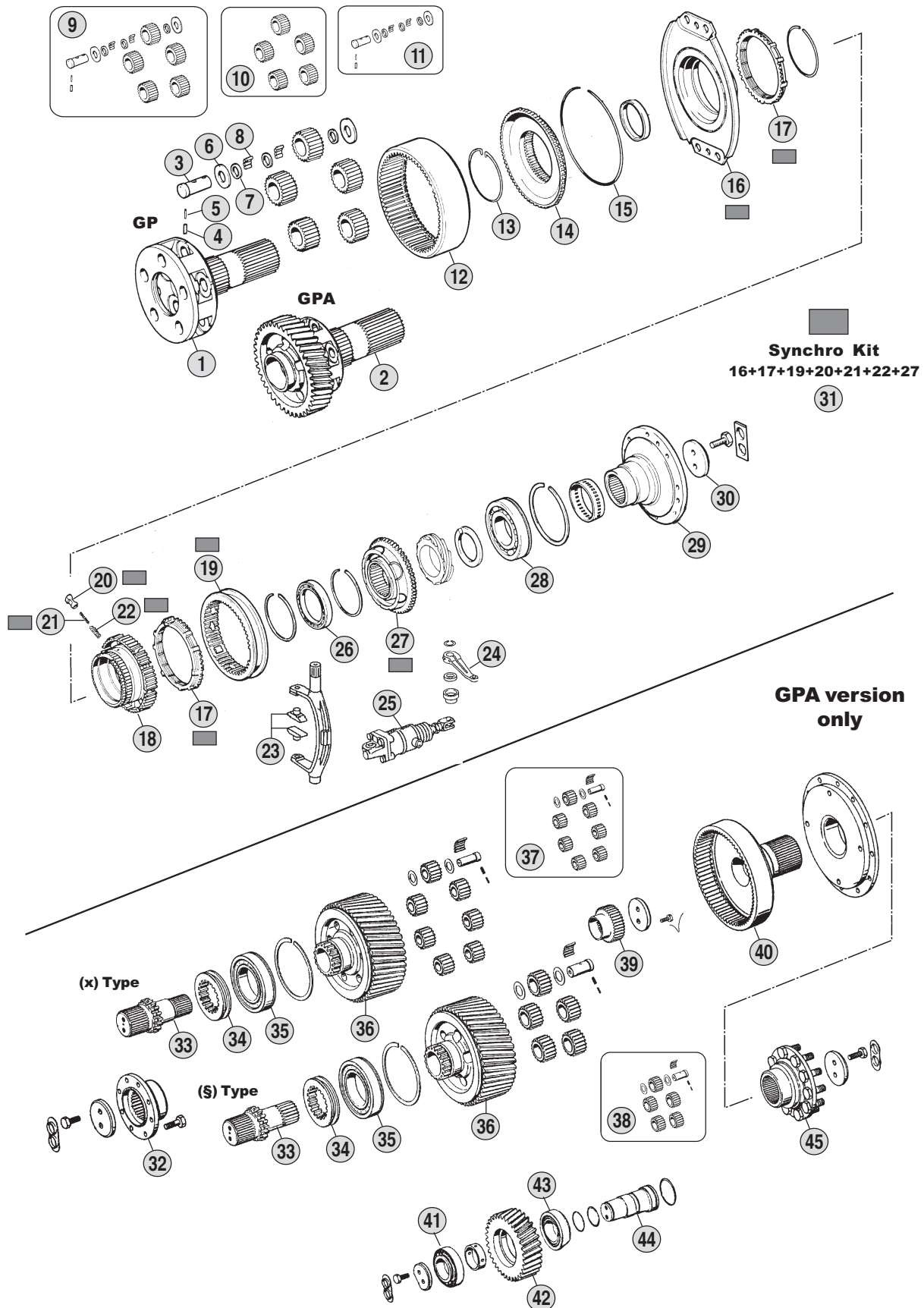
Date

05 / 2006

Table

0070 /c

All original equipment manufacturers numbers, symbols, pictures, models and description used in this catalogue are for reference only, and it is not implied that any part listed is the product of these manufactures.
Tutti i nostri particolari non sono originali ma con essi intercambiabili. I riferimenti originali, le figure, i modelli sono esposti a semplice titolo indicativo. La nostra produzione riporta il nostro marchio.

Suitable To : **ZF****5K/S90-91 GP/GPA** and **5S92GP**

All original equipment manufacturers' numbers, symbols, pictures, models and description used in this catalogue are for reference only, and it is not implied that any part listed is the product of these manufactures. Tutti i nostri particolari non sono originali ma con essi intercambiabili. I riferimenti originali, le figure, i modelli sono esposti a semplice titolo indicativo. La nostra produzione riporta il nostro marchio.

Ratios

5K/S 90-91 GP	13,00-1,00
5S92GP	13,01-1,00
5K/S 90-91 GPA	13,32-1,02

suitable to :

Z.F.

Old Range

GV90/1

5K110 GP

5K110 + GV90/1

5K110 GPA

5K110GPA+GV90/1

5S110 GP

5S110 + GV90/1

5S110 GPA

5S110GPA+GV90/1

(1269 xxx xxx)

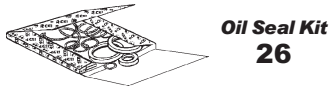
Suitable To : **ZF**

GV90/1 For 5K/S 110 GP/GPA

Kits

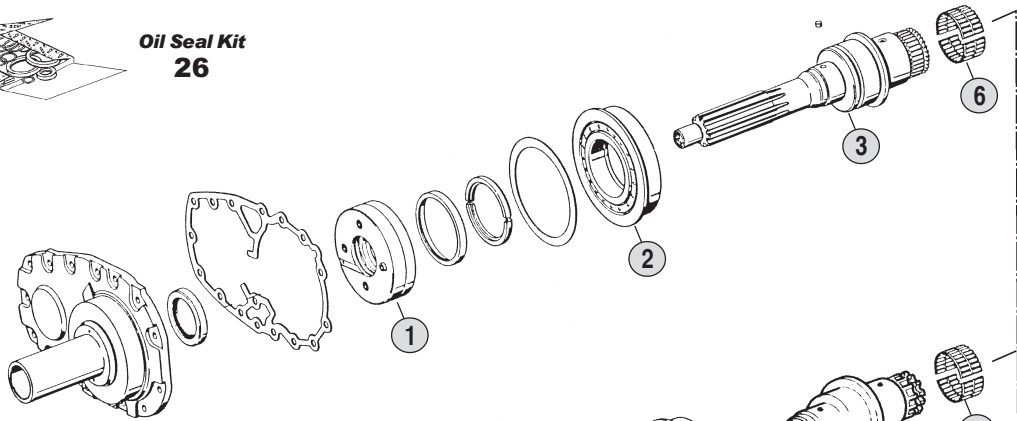


**Gasket Kit
27**

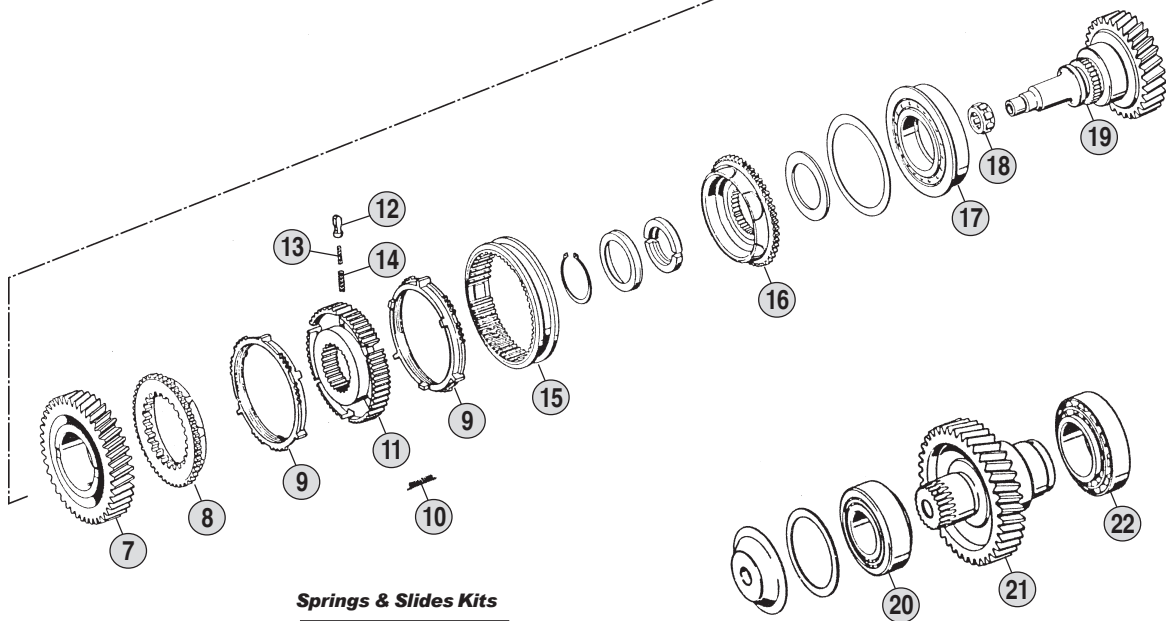
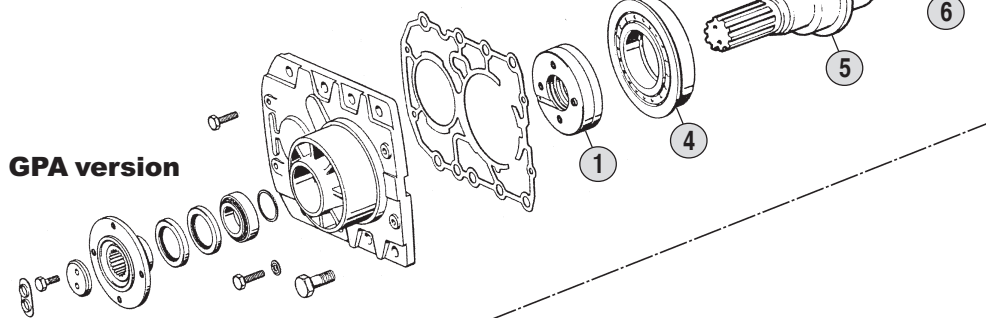


**Oil Seal Kit
26**

GP version



GPA version



Springs & Slides Kits

x 3	x 6	x 9
x 3	x 6	x 9
x 3	x 6	x 9
Kit 23	Kit 24	Kit 25

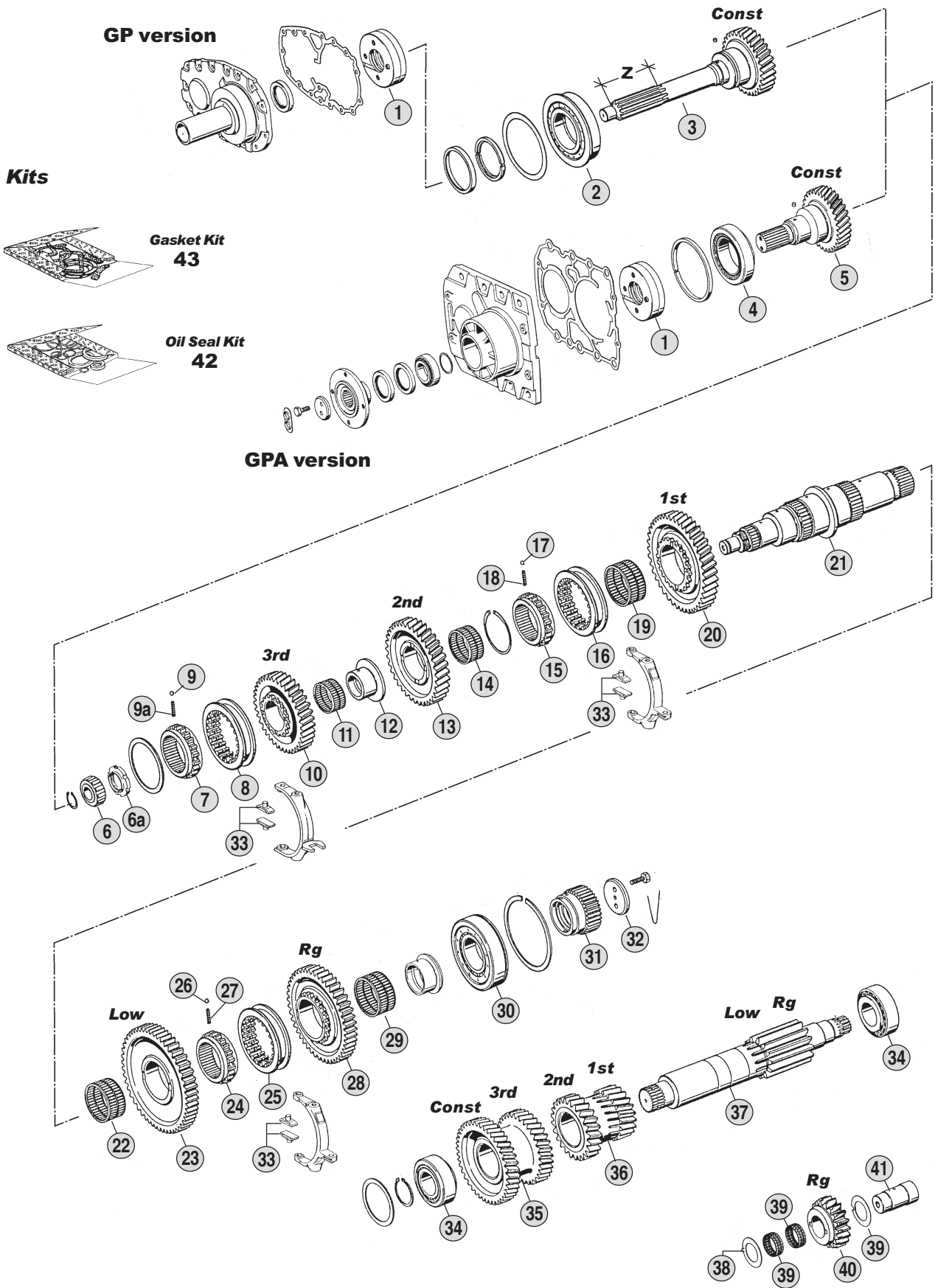
All original equipment manufacturers' numbers, symbols, pictures, models and description used in this catalogue are for reference only, and it is not implied that any part listed is the product of these manufactures. Tutti i nostri particolari non sono originali ma con essi intercambiabili. I riferimenti originali, le figure, i modelli sono esposti a semplice titolo indicativo. La nostra produzione riporta il nostro marchio.

Ratios

GV90/1 5K/S 110 GP : 13,10 - 0,860

GV90/1 5K/S 110 GPA : 13,40 - 0,870

Suitable To : **ZF 5K110GP/GPA** and **5K110GP/GPA+GV90/1**



All original equipment manufacturers' numbers, symbols, models and description used in this catalogue are for reference only, and it is not implied that any part listed is the product of these manufactures. Tutti i nostri particolari non sono originali ma con essi intercambiabili. I riferimenti originali, le figure, i modelli sono esposti a semplice titolo indicativo. La nostra produzione riporta il nostro marchio.

Ratios

5K110GP	13,10-1,00
5K110GP+GV90/1	13,10-0,86
5K110GPA	13,40-1,02
5K110GPA+GV90/1	13,40-0,87



O.E.M. Reference

Fig.	CEI no.	O.E.M. Reference		Description	Q.ty	Note	Ratio				
		ZF no.	MB no.					5K110GP	5K110GP+GV90/1	5K110GPA	5K110GPA+GV90/1
1	280.303	1269 202 104	000 260 1090	Oil Pump	1			●	●		
1	280.348	1295 202 041	000 260 1290	Oil Pump	1	Can Repl. 1269 202 104		●	●		
2	130.697	0750 118 129	007 981 0301	Bearing D.84,9x150x27,5	1			●			
3	102.129	1269 298 908	000 262 6602	Input Shaft 34 T	1	Z=61 mm		●			
3	102.385	1269 298 902		Input Shaft 34 T	1	Z=85 mm		●			
3	102.135	1269 298 938	000 260 1720	Input Shaft 34 T	1	Z=115 mm		●			
3	190.185	1269 202 913	000 260 1120	Input Shaft 34 T	1	Z=116 mm		●			
4	130.698	0750 117 078	010 981 1501	Bearing D.85x150x30,50	1				●		
5	102.386	1269 298 939		Input Shaft 34 T	1				●		
6	137.087	0750 118 019	004 981 5801	Roller Cage D.30x60x26	1			●	●	●	●
6A	187.343	0737 502 152	000 990 1360	Grooved Nut M45x1,5	1			●	●	●	●
7	157.101	1269 304 018	000 262 1127	Synchronizer Hub	1			●	●	●	●
8	154.090	1269 304 069	000 262 1523	Sliding Sleeve	1			●	●	●	●
9	171.014	0635 460 010	002 981 5685	Ball D.6	3			●	●	●	●
9A	156.150	1203 321 009	002 993 1801	Spring De.5,50x12	3			●	●	●	●
10	145.243	1269 304 139	000 262 1513	Gear 3rd Speed 34 T	1			●	●	●	●
11	137.077	0735 320 396	008 981 1010	Needle bearing D.62x70x36,5	1			●	●	●	●
12	117.153	1269 304 003	000 262 0350	Bushing D.51x62x94	1			●	●	●	●
13	145.244	1269 304 131	000 262 1112	Gear 2nd Speed 37 T	1			●	●	●	●
14	137.078	0735 320 493	008 981 0910	Needle Bearing D.70x78x36,50	1			●	●	●	●
15	155.136	1269 304 016	000 262 1027	Synchronizer Hub	1			●	●	●	●
16	154.095	1269 304 017	000 262 1423	Sliding Sleeve	1			●	●	●	●
17	171.014	0635 460 010	002 981 5685	Ball D.6	3			●	●	●	●
18	156.124	0732 040 497	343 264 0993	Spring De.6x7	3			●	●	●	●
19	137.079	0735 320 371	005 981 8710	Needle Bearing D.82x90x37	1			●	●	●	●
20	145.245	1269 304 132	000 262 2511	Gear 1st Speed 42 T	1			●	●	●	●
21	103.065	1269 304 061	000 262 0905	Main Shaft	1			●	●		
21	103.194	1269 304 060	000 262 1005	Main Shaft (GPA)	1					●	●
22	137.079	0735 320 371	005 981 8710	Needle Bearing D.82x90x37	1			●	●	●	●
23	145.246	1269 304 072	000 262 1411	Gear Low Speed 51 T	1			●	●	●	●
24	157.081	1269 304 071	000 262 0927	Synchronizer Hub	1			●	●	●	●
25	154.056	1250 304 233	000 262 1023	Sliding Sleeve	1			●	●	●	●
26	171.014	0635 460 010	002 981 5685	Ball D.6	3			●	●	●	●
27	156.124	0732 040 497	343 264 0993	Spring De.6x7	3			●	●	●	●
28	145.247	1269 304 068	000 262 1511	Reverse Gear 45 T	1			●	●	●	●
29	137.079	0735 320 371	005 981 8710	Needle Bearing D.82x90x37	1			●	●	●	●
30	130.699	0750 118 081	005 981 8701	Bearing D.70x150x35	1			●	●	●	●
31	157.082	1286 304 022	000 262 0910	Sun Gear 35 T	1			●	●	●	●
32	188.212	1269 304 070	000 262 2362	Stop Washer	1			●	●	●	●
33	141.068	1295 306 132	000 268 0849	Bronze Slide	2			●	●	●	●
34	130.242	0750 117 010	001 980 8102	Bearing D.50,80x100x35	2			●	●	●	●
35	143.053	1269 303 053	000 263 0914	Double Gear 3rd/4th-30/41 T	1			●	●	●	●
36	143.054	1269 303 006	000 263 0413	Double Gear 1st/2nd-20/24 T	1			●	●	●	●
37	105.056	1269 303 041	000 263 1302	Countershaft 16 T	1			●	●	●	●
38	169.234	0730 150 064	343 263 0062	Thrust Washer	2			●	●	●	●

Notes

Date

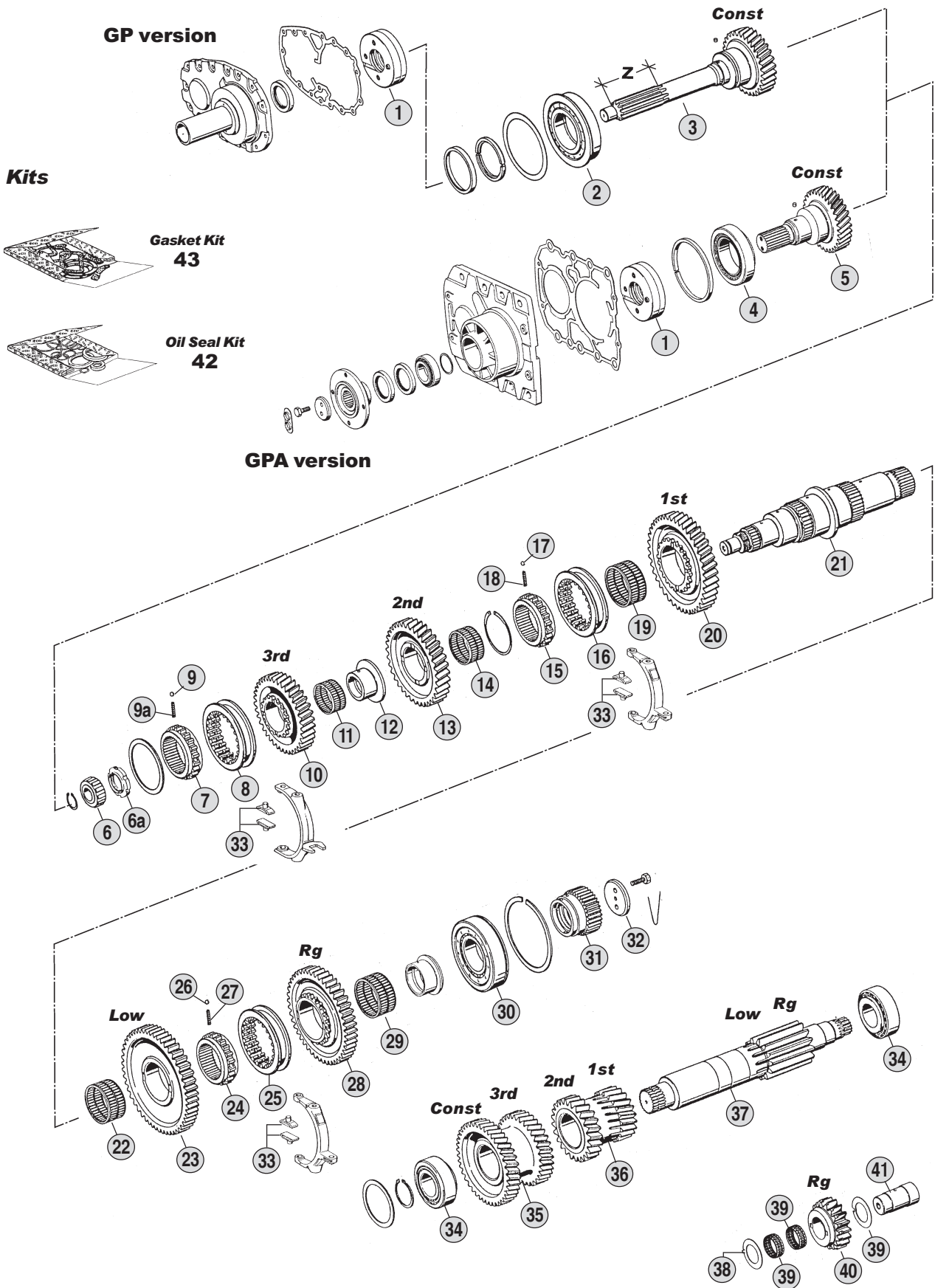
05 / 2006

Table

0080 / B

All original equipment manufacturers numbers, symbols, pictures, models and description used in this catalogue are for reference only, and it is not implied that any part listed is the product of these manufactures.
Tutti i nostri particolari non sono originali ma con essi intercambiabili. I riferimenti originali, le figure, i modelli sono esposti a semplice titolo indicativo. La nostra produzione riporta il nostro marchio.

Suitable To : **ZF 5K110GP/GPA** and **5K110GP/GPA+GV90/1**



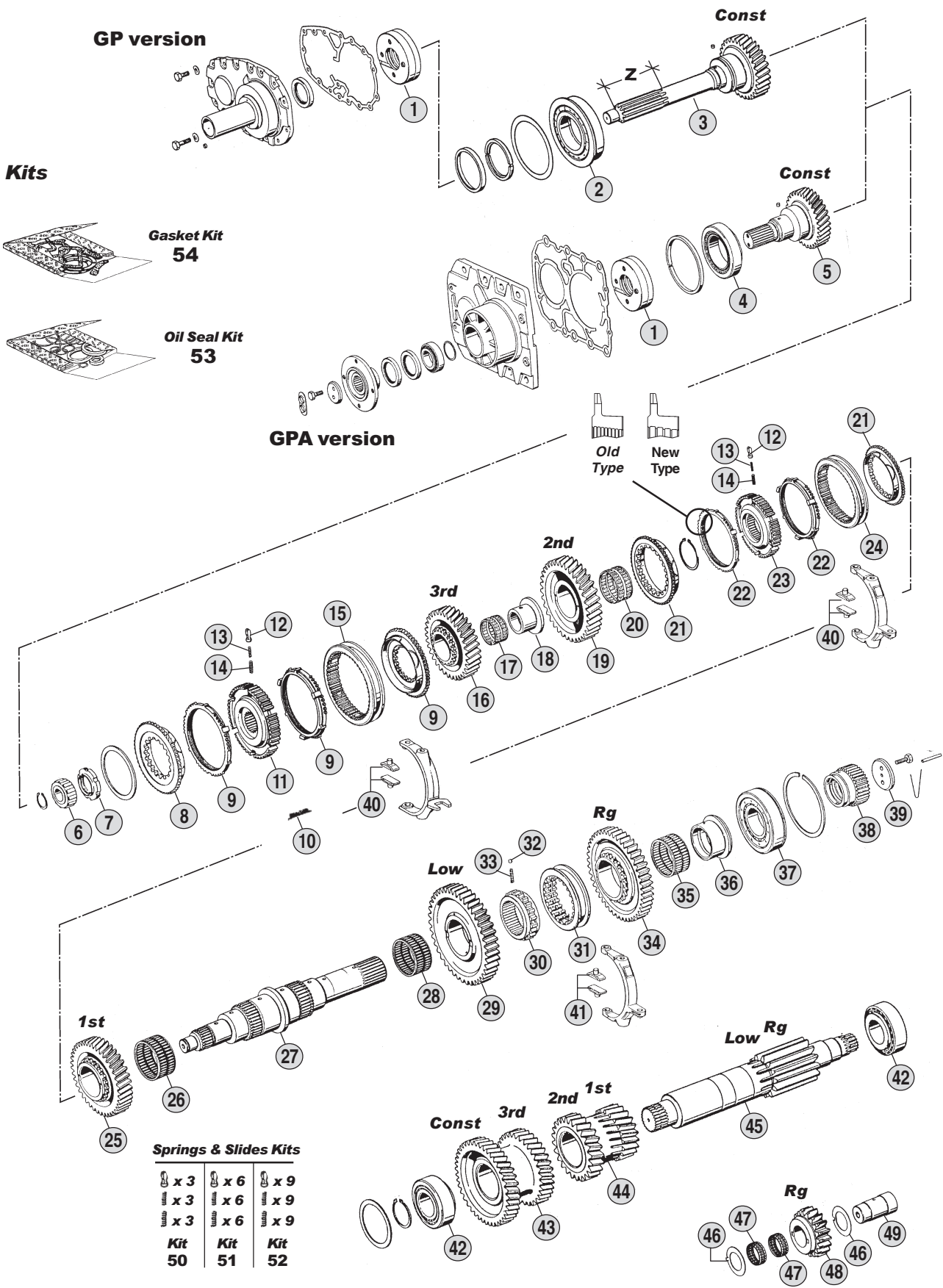
All original equipment manufacturers' numbers, symbols, pictures, models and description used in this catalogue are for reference only, and it is not implied that any part listed is the product of these manufactures. Tutti i nostri particolari non sono originali ma con essi intercambiabili. I riferimenti originali, le figure, i modelli sono esposti a semplice titolo indicativo. La nostra produzione riporta il nostro marchio.

Ratios

5K110GP	13,10-1,00
5K110GP+GV90/1	13,10-0,86
5K110GPA	13,40-1,02
5K110GPA+GV90/1	13,40-0,87



Suitable To: **ZF 5S110GP/GPA** and **5S110GP/GPA+GV90/1**



All original equipment manufacturers numbers, symbols, models and description used in this catalogue are for reference only, and it is not implied that any part listed is the product of these manufactures. Tutti i nostri particolari non sono originali ma con essi intercambiabili. I riferimenti originali, le figure, i modelli sono esposti a semplice titolo indicativo. La nostra produzione riporta il nostro marchio.

Ratios

5S110GP	13,10-1,00
5S110GP+GV90/1	13,10-0,86
5S110GPA	13,40-1,02
5S110GPA+GV90/1	13,40-0,87



Fig.	CEI no.	O.E.M. Reference		Description	Q.ty	Note	Ratio					
		ZF no.	MB no.					5S110GP	5S110GP+GI90/1	5S110GPA	5S110GPA+GI90/1	
1	280.303	1269 202 104	000 260 1090	Oil Pump	1			●				
1	280.348	1295 202 041	000 260 1290	Oil Pump	1	Can Repl. 1295 202 041		●	●			
2	130.697	0750 118 129	007 981 0301	Bearing D.84,9x150x27,5	1			●				
3	102.129	1269 298 908	000 262 6602	Input Shaft 34 T	1	Z=61 mm		●				
3	102.385	1269 298 902		Input Shaft 34 T	1	Z=85 mm		●				
2	102.135	1269 298 938	000 260 1720	Input Shaft 34 T	1	Z=115 mm		●				
3	190.185	1269 202 913	000 260 1120	Input Shaft 34 T	1	Z=116 mm		●				
4	130.698	0750 117 078	010 981 1501	Bearing D.85x150x30,50	1				●			
5	102.386	1269 298 939		Input Shaft 34 T	1				●			
6	137.087	0750 118 019	004 981 5801	Roller Cage D.30x60x26	1			●	●	●	●	
7	187.343	0737 502 152	000 990 1360	Grooved Nut M45x1,5	1			●	●	●	●	
8	109.021	1269 304 137	000 262 1736	Synchronizer Cone	1			●	●	●	●	
9	119.042	1272 304 076	000 262 1334	Synchronizer Ring	2	Old Type		●	●	●	●	
9	119.163	1272 304 166	000 262 8834	Synchronizer Ring	2	New Type		●	●	●	●	
9	119.054	1250 304 226	336 262 0734	Synchronizer Ring	2	Oldest(*)		●	●	●	●	
10	156.025	0732 020 030	336 264 0893	Spring L=31,50	3	Oldest		●	●	●	●	
11	157.079	1269 304 128	000 262 2735	Synchronizer hub	1			●	●	●	●	
12	160.116	1240 304 278	336 264 0239	Pressure Piece	3			●	●	●	●	
13	156.036	0732 040 386	336 264 0793	Inner Spring De.3x34	3			●	●	●	●	
14	156.037	0732 040 385	336 264 0693	Outer Spring De.6x34	3			●	●	●	●	
15	154.032	1272 304 077	000 262 1923	Sliding Sleeve	1			●	●	●	●	
16	145.243	1269 304 139	000 262 1513	Gear 3rd Speed 34 T	1			●	●	●	●	
17	137.077	0735 320 396	008 981 1010	Needle bearing D.62x70x36,5	1			●	●	●	●	
18	117.153	1269 304 003	000 262 0350	Bushing D.51x62x94	1			●	●	●	●	
19	145.244	1269 304 131	000 262 1112	Gear 2nd Speed 37 T	1			●	●	●	●	
20	137.078	0735 320 493	008 981 0910	Needle Bearing D.70x78x36,50	1			●	●	●	●	
21	109.022	1250 304 351	000 262 0340	Synchronizer Cone	2			●	●	●	●	
22	119.042	1272 304 076	000 262 1334	Synchronizer Ring	2	Old Type		●	●	●	●	
22	119.163	1272 304 166	000 262 8834	Synchronizer Ring	2	Nnew Type		●	●	●	●	
22	119.054	1250 304 226	336 262 0734	Synchronizer Ring	2	Oldest(*)		●	●	●	●	
23	157.080	1269 304 129	000 262 2635	Synchronizer hub	1			●	●	●	●	
24	154.033	1240 304 375	000 262 0823	Sliding Sleeve	1			●	●	●	●	
25	145.245	1269 304 132	000 262 2511	Gear 1st Speed 42 T	1			●	●	●	●	
26	137.079	0735 320 371	005 981 8710	Needle Bearing D.82x90x37	1			●	●	●	●	
27	103.065	1269 304 061	000 262 0905	Main Shaft	1			●	●			
27	103.194	1269 304 060	000 262 1005	Main Shaft (GPA)	1				●	●		
28	137.079	0735 320 371	005 981 8710	Needle Bearing D.82x90x37	1			●	●	●	●	
29	145.246	1269 304 072	000 262 1411	Gear Low Speed 51 T	1			●	●	●	●	
30	157.081	1269 304 071	000 262 0927	Synchronizer Hub	1			●	●	●	●	
31	154.056	1250 304 233	000 262 1023	Sliding Sleeve	1			●	●	●	●	
32	171.014	0635 460 010	002 981 5685	Ball D.6	3			●	●	●	●	
33	156.124	0732 040 497	343 264 0993	Spring De.6x7	3			●	●	●	●	
34	145.247	1269 304 068	000 262 1511	Reverse Gear 45 T	1			●	●	●	●	
35	137.079	0735 320 371	005 981 8710	Needle Bearing D.82x90x37	1			●	●	●	●	
36	117.154	1269 304 004	000 262 0450	Bushing	1			●	●	●	●	

Notes

(*) Old Version with 3 spring holes. To be used with spring 156.025 (fig. 10)

Date

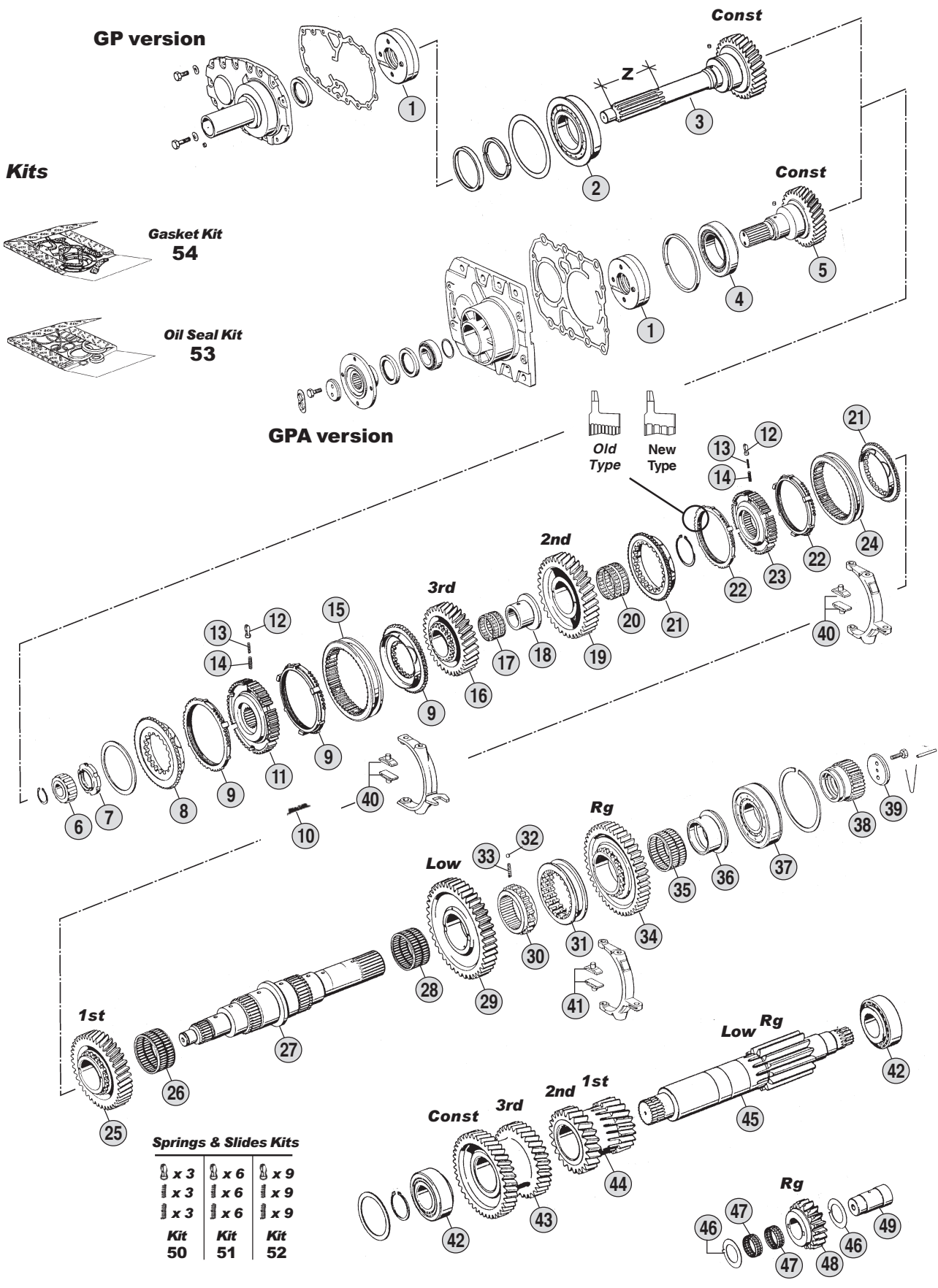
05 / 2006

Table

0080 / c

All original equipment manufacturers numbers, symbols, pictures, models and description used in this catalogue are for reference only, and it is not implied that any part listed is the product of these manufactures. Tutti i nostri particolari non sono originali ma con essi intercambiabili. I riferimenti originali, le figure, i modelli sono esposti a semplice titolo indicativo. La nostra produzione riporta il nostro marchio.

Suitable To: **ZF 5S110GP/GPA** and **5S110GP/GPA+GV90/1**



All original equipment manufacturers numbers, symbols, models and description used in this catalogue are for reference only, and it is not implied that any part listed is the product of these manufactures. Tutti i nostri particolari non sono originali ma con essi intercambiabili. I riferimenti originali, le figure, i modelli sono esposti a semplice titolo indicativo. La nostra produzione riporta il nostro marchio.

Ratios

5S110GP	13,10-1,00
5S110GP+GV90/1	13,10-0,86
5S110GPA	13,40-1,02
5S110GPA+GV90/1	13,40-0,87

Fig.	CEI no.	O.E.M. Reference		Description	Q.ty	Note	Ratio						
		ZF no.	MB no.					5S110GP	5S110GP+GI/90/1	5S110GPA	5S110GPA+GI/90/1		
37	130.699	0750 118 081	005 981 8701	Bearing D.70x150x35	1			●	●	●	●		
38	157.082	1286 304 022	000 262 0910	Sun Gear 35 T	1			●	●	●	●		
39	188.212	1269 304 070	000 262 2362	Stop Washer	1			●	●	●	●		
40	141.061	1272 334 003	000 268 0149	Bronze Slide	2			●	●	●	●		
41	141.068	1295 306 132	000 268 0849	Bronze Slide	2			●	●	●	●		
42	130.242	0750 117 010	001 980 8102	Bearing D.50,80x100x35	2			●	●	●	●		
43	143.053	1269 303 053	000 263 0914	Double Gear 3rd/4th-30/41 T	1			●	●	●	●		
44	143.054	1269 303 006	000 263 0413	Double Gear 1st/2nd-20/24 T	1			●	●	●	●		
45	105.056	1269 303 041	000 263 1302	Countershaft 16 T	1			●	●	●	●		
46	169.234	0730 150 064	343 263 0062	Thrust Washer	2			●	●	●	●		
47	137.007	0750 115 011	010 981 1010	Needle Cage D.45x53x21	2			●	●	●	●		
48	147.084	1269 305 005	000 263 1031	Reverse Gear 21 T	1			●	●	●	●		
49	107.088	1269 305 003	000 263 0530	Reverse Pin	1			●	●	●	●		
50	198.339	1268 298 938	CEI 198339	Spring Slide Set	1			●	●	●	●		
51	198.564	CEI 198564		Spring Slide Set	1			●	●	●	●		
52	198.842	1295 298 933		Spring Slide Set	1			●	●	●	●		
53	198.421	1269 298 928	CEI 198421	Oil Seal Kit	1			●	●	●	●		
54	198.422	1269 298 933	CEI 198422	Gasket Kit	1			●	●	●	●		

Notes

(*) Old Version with 3 spring holes. To be used with spring 156.025 (fig. 10)

Date

05 / 2006

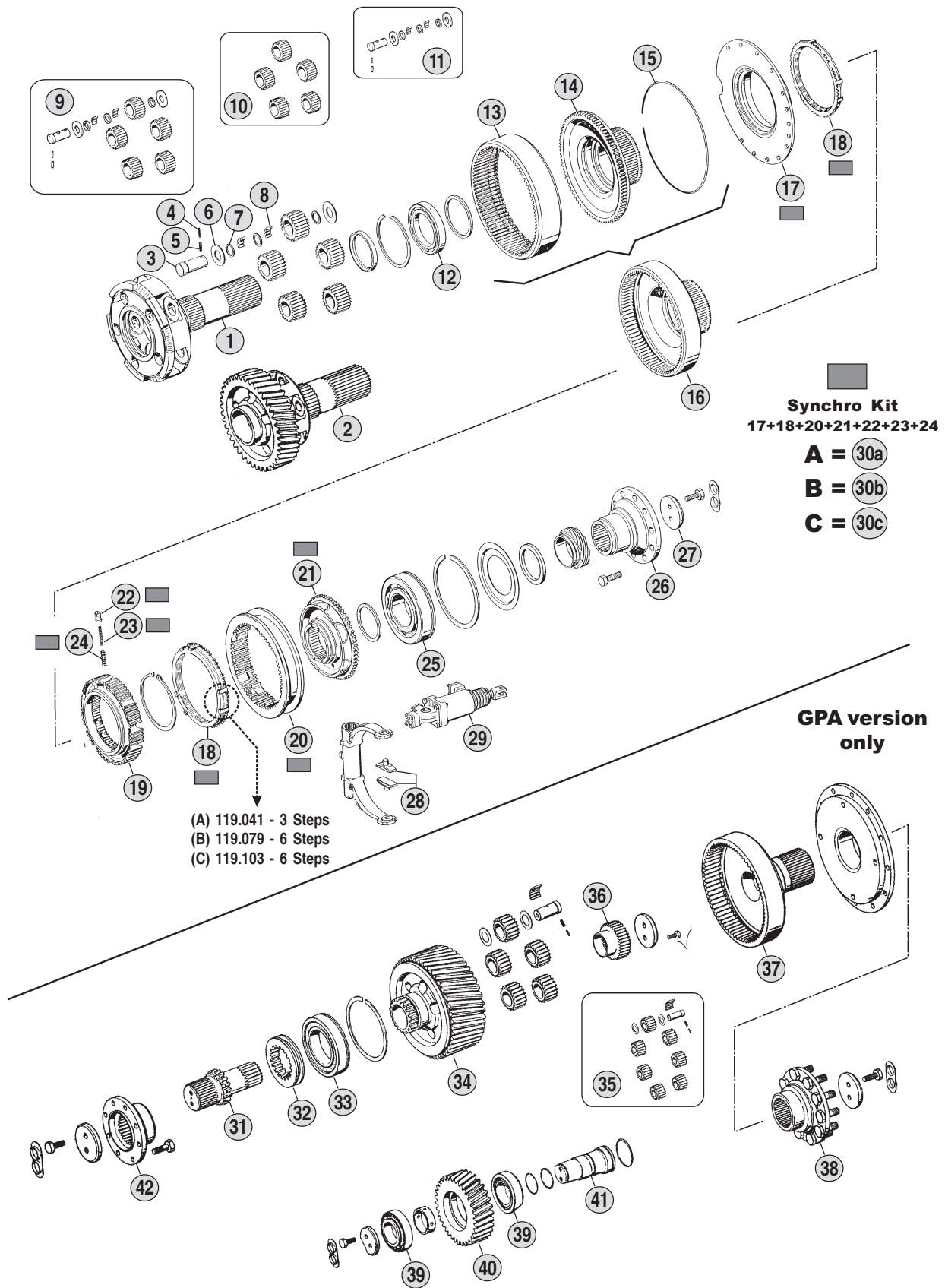
Table

0080 / c

All original equipment manufacturers' numbers, symbols, pictures, models and description used in this catalogue are for reference only, and it is not implied that any part listed is the product of these manufactures.
Tutti i nostri particolari non sono originali ma con essi intercambiabili. I riferimenti originali, le figure, i modelli sono esposti a semplice titolo indicativo. La nostra produzione riporta il nostro marchio.

Suitable To : **ZF**

5K/S110GP/GPA and 5K/S110GP/GPA



All original equipment manufacturers' numbers, symbols, pictures, models and description used in this catalogue are for reference only, and it is not implied that any part listed is the product of these manufactures. Tutti i nostri particolari non sono originali ma con essi intercambiabili. I riferimenti originali, le figure, i modelli sono esposti a semplice titolo indicativo. La nostra produzione riporta il nostro marchio.

Ratios

5K/S 110GP	13,10-1,00
5K/S 110GP+GV90/1	13,10-0,86
5K/S 110GPA	13,40-1,02
5K/S 110GPA+GV90/1	13,40-0,87

Fig.	CEI no.	O.E.M. Reference		Description	Q.ty	Note	Ratio	5K/S110GP				5K/S110GPA			
		ZF no.	MB no.					5K/S110GP	5K/S110GP+GV90/1	5K/S110GPA	5K/S110GPA+GV90/1	5K/S110GPA	5K/S110GPA+GV90/1		
1	190.402	1269 232 041	000 260 3961	Planet Carrier	1			●	●						
2	190.403	1269 232 037	000 260 2861	Planet Carrier	1					●	●				
3	107.089	1269 332 036	000 264 1618	Planetary pin	5			●	●						
3	107.208	1269 332 050	000 264 2918	Pin	5							●	●		
4	160.152	0631 329 016	001481 003021	Lock Pin D.3x20	5			●	●	●	●				
5	160.151	0631 329 048	001481 005026	Lock Pin D.5x20	5			●	●	●	●				
6	169.408	0501 305 887	003 264 2252	Thrust Washer D.29x57,5x1,5	10			●	●	●	●				
7	169.410	0730 103 846	003 264 2052	Spacer Ring D.29x39x1,00	15			●	●	●	●				
8	171.016	0735 470 057	001 981 1187	Roller D.6x14,75	180			●	●	●	●				
9	198.414	1269 298 958	000 262 0606	Planetary Gear Set (Complete)	1			●	●						
10	198.371	1286 298 902	000 260 1197	Planetary Gear Set (5 pcs)	1			●	●	●	●				
11	198.447	CEI 198447		Overhaul Planetary Gear Kit	1	Complete (For 5 series)		●	●						
12	130.700	0635 330 050		Bearing D.75x115x13	1			●	●	●	●				
13	123.163	1269 332 055	000 264 2821	Crown Gear 85 T	1			●	●	●	●				
14	150.113	1269 332 054	000 262 0325	Carrier Hub 85 T	1			●	●	●	●				
15	111.175	0730 505 053	000 264 0673	Locking Wire 2,50	1			●	●	●	●				
16	123.145	1269 332 020	000 264 1721	Crown Gear 85 T	1	Old Type		●	●	●	●				
17	135.060	1269 233 010	000 262 2037	Synchronizer Flange	1		(AB)	●	●	●	●				
17	135.111	1269 233 012	000 262 3340	Synchronizer Flange	1		(C)	●	●	●	●				
18	119.041	1269 328 254	000 262 0734	Synchronizer Ring	2		(A)	●	●	●	●				
18	119.079	1269 328 289	000 262 2234	Synchronizer Ring	2		(B)	●	●	●	●				
18	119.103	1269 328 291	000 262 3534	Synchronizer Ring	2		(C)	●	●	●	●				
19	157.115	1269 333 057	000 263 0835	Synchronizer Hub	1		(ABC)	●	●	●	●				
20	154.031	1269 333 047	000 262 4123	Sliding Sleeve	1		(ABC)	●	●	●	●				
21	109.020	1269 333 048	000 262 1537	Synchronizer cone	1		(AB)	●	●	●	●				
21	109.120	1269 333 056	000 262 3240	Synchronizer cone	1		(C)	●	●	●	●				
22	160.126	1269 328 234	000 263 0140	Pressure Piece	6			●	●	●	●				
23	156.125	0732 040 929	003 993 9201	Spring D. 6x36	6			●	●	●	●				
24	156.120	0732 040 736	002 993 7501	Spring D.10x36	6			●	●	●	●				
25	130.264	0635 333 049	000 981 9025	Bearing D.70x150x35	1			●	●	●	●				
26	155.132	1269 338 028	000 264 0845	Output Flange D.165 (8 holes)	1			●	●						
26	155.167	1269 338 026		Output Flange D.180 (8 holes)	1			●	●						
26	155.113	1269 338 020	000 264 0945	Output Flange D.180 (10 holes)	1			●	●						
27	188.070	1240 304 117	343 262 0062	Stop Washer	1			●	●						
28	141.088	1295 334 027	000 268 0549	Bronze Slide	2			●	●			●	●		
29	280.630	0750 132 019	000 260 4663	Cylinder	1			●	●	●	●				
29	280.366	0750 132 009	000 260 5363	Cylinder	1			●	●	●	●				
30A	198.966	CEI 198966		Synchronizer Kit	1		(A)	●	●	●	●				
30B	198.515	1269 298 979		Synchronizer Kit	1		(B)	●	●	●	●				
30C	198.717	1269 298 980		Synchronizer Kit	1		(C)	●	●	●	●				
31	101.142	1269 339 024	000 262 5802	Shaft (GPA)	1		(x)					●	●		
31	101.143	1269 339 025	000 262 5902	Shaft (GPA)	1		(§)					●	●		
32	154.369	1269 339 003	000 262 1323	Sliding sleeve	1							●	●		
33	130.701	0635 332 132	000 625 536 219	Bearing D.95x170x32	1							●	●		
34	190.404	1269 237 013	000 260 0761	Planet Carrier (GPA)	1		(x)					●	●		

Notes

- (A) 1st Generation. To be coupled together.
 (B) 2ns Generation. To be coupled together.
 (C) 3rd Generation. Reinforced. To be coupled together. **Do no MIX**
 (x - §) Different versions. To be coupled together. **DO NO MIX**

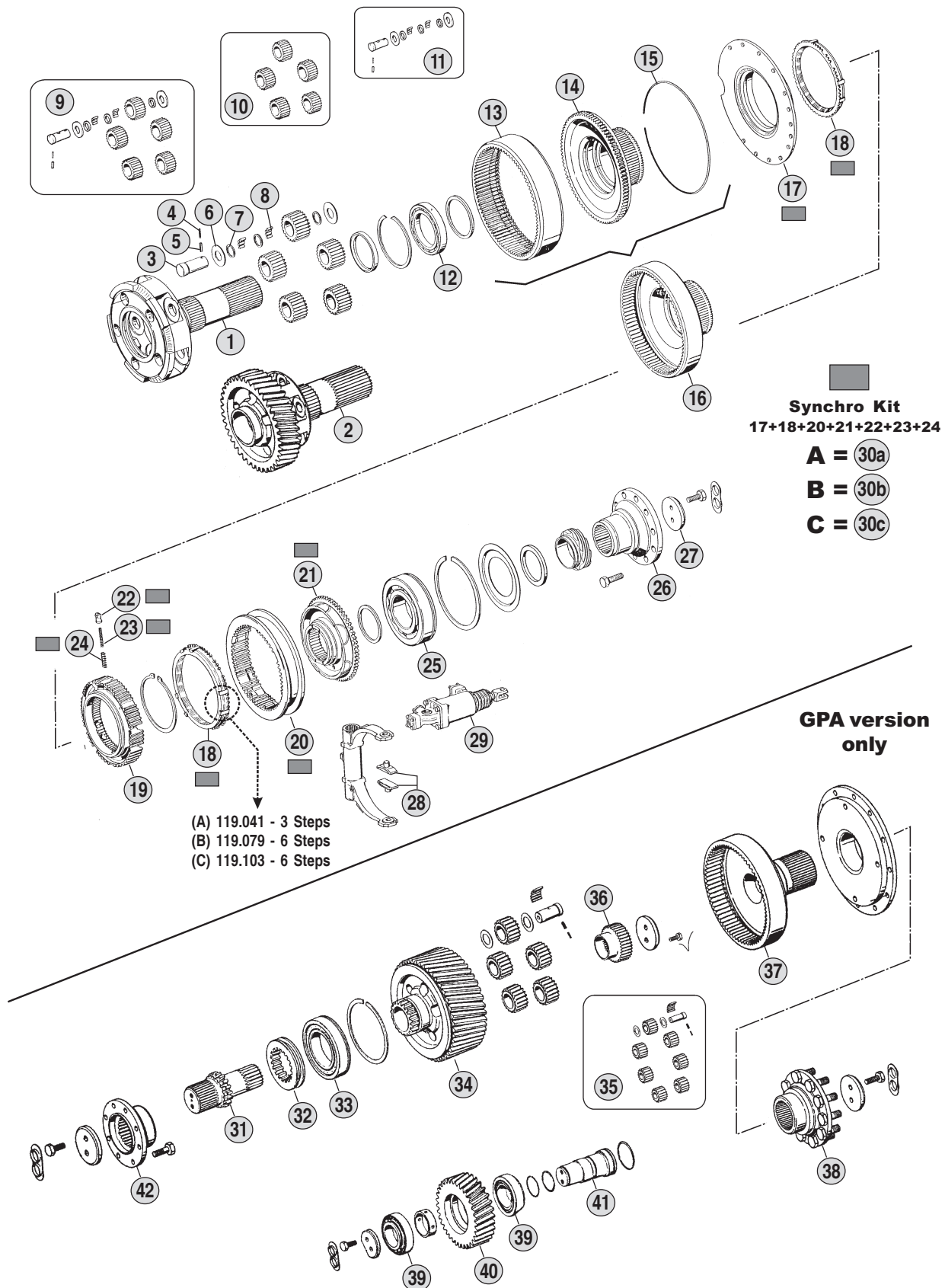
Date

05 / 2006

Table

0080 / D

All original equipment manufacturers numbers, symbols, pictures, models and description used in this catalogue are for reference only, and it is not implied that any part listed is the product of these manufactures.
 Tutti i nostri particolari non sono originali ma con essi intercambiabili. I riferimenti originali, le figure, i modelli sono esposti a semplice titolo indicativo. La nostra produzione riporta il nostro marchio.

Suitable To : **ZF****5K/S110GP/GPA and 5K/S110GP/GPA**

All original equipment manufacturers' numbers, symbols, pictures, models and description used in this catalogue are for reference only, and it is not implied that any part listed is the product of these manufactures.
Tutti i nostri particolari non sono originali ma con essi intercambiabili. I riferimenti originali, le figure, i modelli sono esposti a semplice titolo indicativo. La nostra produzione riporta il nostro marchio.

Ratios

5K/S 110GP	13,10-1,00
5K/S 110GP+GV90/1	13,10-0,86
5K/S 110GPA	13,40-1,02
5K/S 110GPA+GV90/1	13,40-0,87

suitable to :

Z.F.

Old Range

GV90/1

5S111 GP
5S111 + GV90/1
5S111 GPA

(1292 xxx xxx)

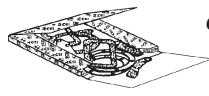
All original equipment manufacturers' numbers, symbols, pictures, models and description used in this catalogue are for reference only, and it is not implied that any part listed is the product of these manufacturers.
Tutti i nostri particolari non sono originali ma con essi intercambiabili. I riferimenti originali, le figure, i modelli sono esposti a semplice titolo indicativo. La nostra produzione riporta il nostro marchio.

OLD RANGE
5S 111

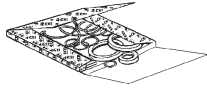
Suitable To : **ZF**

GV90/1 For 5S 111 GP

Kits

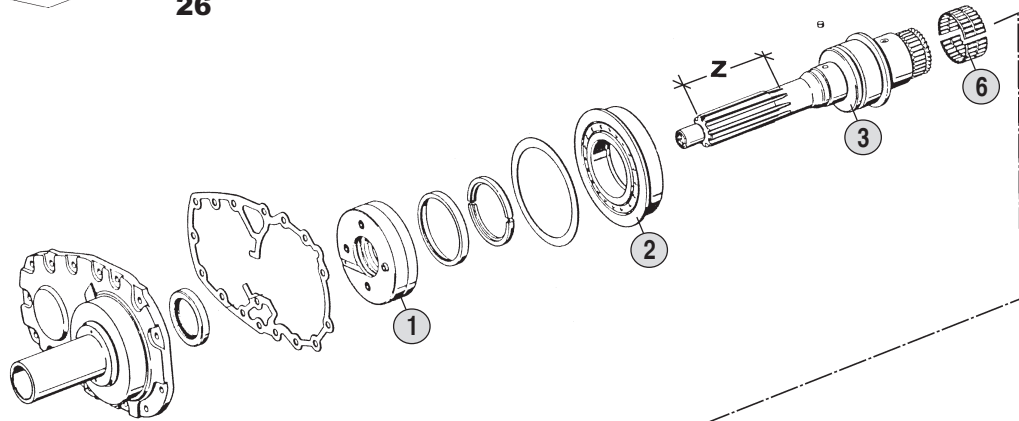


**Gasket Kit
27**

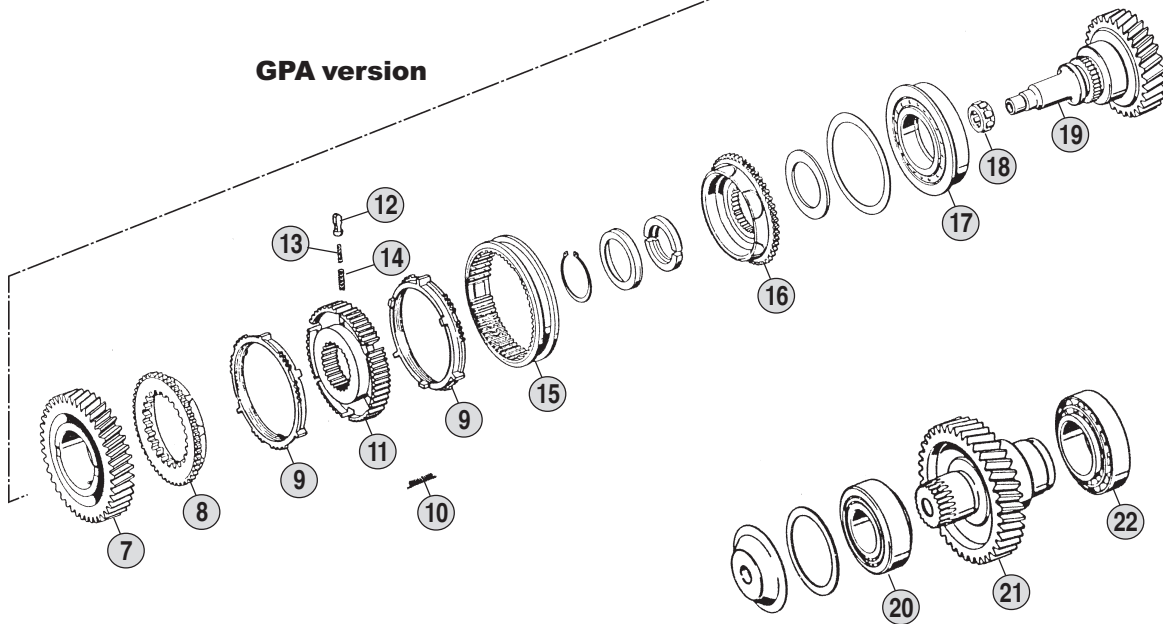


**Oil Seal Kit
26**

GP version



GPA version



Springs & Slides Kits

x 3	x 6	x 9
x 3	x 6	x 9
x 3	x 6	x 9
Kit 23	Kit 24	Kit 25

All original equipment manufacturers' numbers, symbols, models and description used in this catalogue are for reference only, and it is not implied that any part listed is the product of these manufactures. Tutti i nostri particolari non sono originali ma con essi intercambiabili. I riferimenti originali, le figure, i modelli sono esposti a semplice titolo indicativo. La nostra produzione riporta il nostro marchio.

Ratios

GV90/1 5S 111 GP : 13,10 - 0,860

GV90/1 With GP

Fig.	O.E.M. Reference		Description	Q.ty	Note	Ratio							
	CEI no.	ZF no.					MB no.						
1	280.303	1269 202 104	000 260 1090	Oil Pump	1		●						
1	280.348	1295 202 041	000 260 1290	Oil Pump	1	Can Repl. 1269 202 104	●						
2	130.697	0750 118 129	007 981 0301	Bearing D.84,9x150x27,5	1		●						
3	190.150	1269 212 006	000 260 0920	Input Shaft	1	Z=115 mm	●						
3	190.197	1285 212 005	000 262 0101	Input shaft	1	Z=128 mm	●						
6	137.108	0750 115 089	011 981 1210	Needle Cage D.68x74x45	1		●						
7	145.255	1269 312 005	000 262 1710	Gear 42 T	1		●						
8	109.037	1250 312 366	000 264 0846	Synchronizer Cone	1		●						
9	119.080	1250 304 417	000 262 1934	Synchronizer Ring	2		●						
9	119.069	1240 304 384	000 262 0434	Synchronizer Ring	2	Old(*)	●						
10	156.025	0732 020 030	336 264 0893	Spring L=31,50	3	Old	●						
11	155.090	1250 312 323	000 262 3635	Synchronizer Hub	1		●						
12	160.116	1240 304 278	336 264 0239	Pressure Piece	3		●						
13	156.036	0732 040 386	336 264 0793	Inner Spring De.3x34	3		●						
14	156.037	0732 040 385	336 264 0693	Outer Spring De.6x34	3		●						
15	154.064	1240 304 272	000 262 0623	Sliding Sleeve	1		●						
16	109.038	1250 312 364	000 264 0746	Synchronizer Cone	1		●						
17	130.697	0750 118 129	007 981 0301	Bearing D.84,9x150x27,5	1		●						
18	137.268	0735 358 032	002 981 3410	Needle Bearing D.22x38x19	1		●						
19	190.151	1269 298 909	000 264 2205	Intermed Shaft 34 T	1		●						
20	130.242	0750 117 010	001 980 8102	Bearing D.50,80x100x35	1		●						
21	146.186	1269 312 049	000 263 5110	Gear 43 T	1		●						
22		1269 298 951		Bearing D.66,6x112,7x30,1	1		●						
23	198.339	1268 298 938	CEI 198339	Spring Slide Set	1		●						
24	198.564	CEI 198564		Spring Slide Set	1		●						
25	198.842	1295 298 933		Spring Slide Set	1		●						
26	198.421	1269 298 928	CEI 198421	Oil Seal Kit	1		●						
27	198.422	1269 298 933	CEI 198422	Gasket Kit	1		●						

Notes

(*) Old Version with 3 spring holes. To be used with spring 156.025 (fig. 10)

Date

05 / 2006

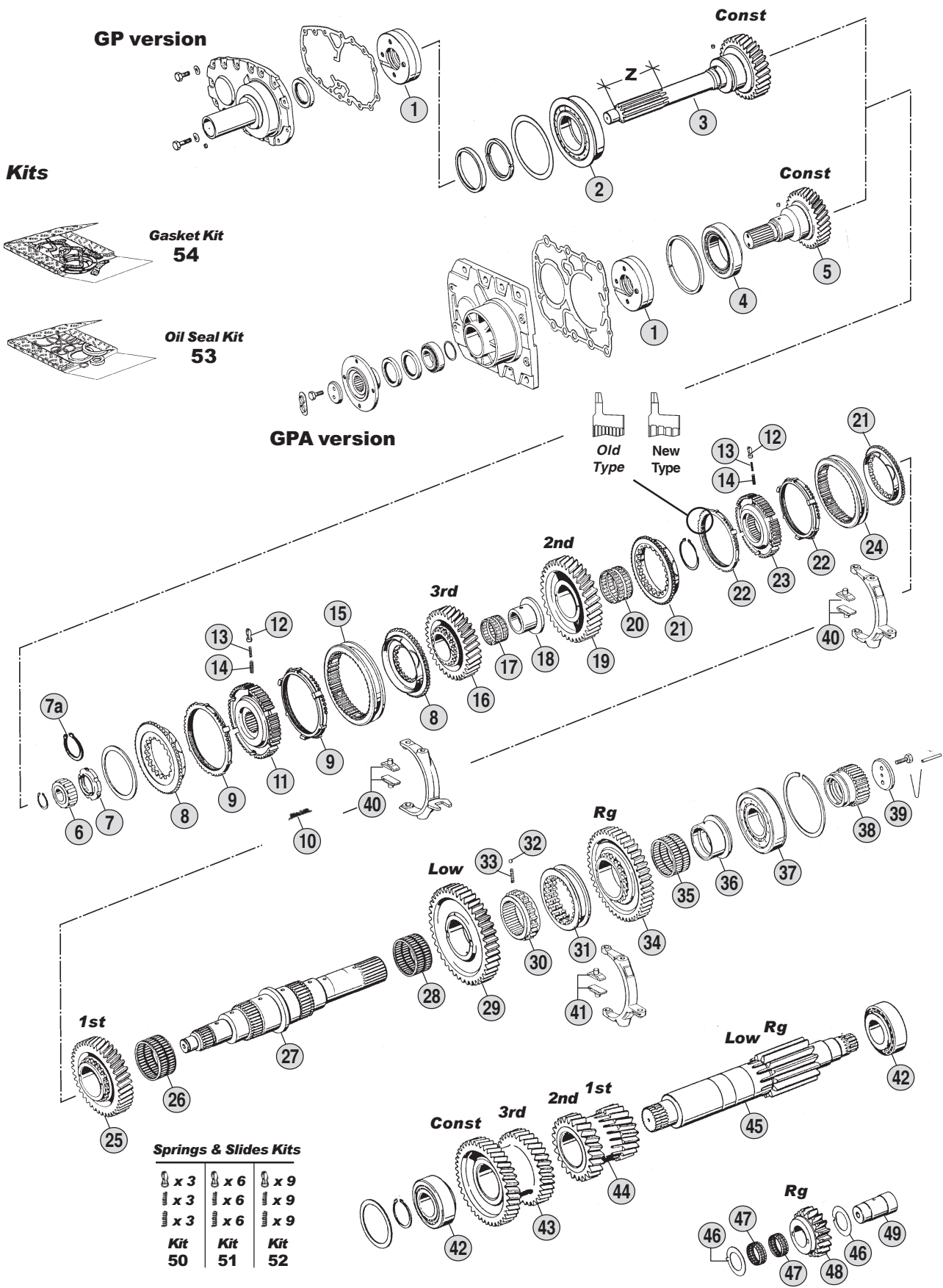
Table

0090 / A

All original equipment manufacturers' numbers, symbols, pictures, models and description used in this catalogue are for reference only, and it is not implied that any part listed is the product of these manufactures.
 Tutti i nostri particolari non sono originali ma con essi intercambiabili. I riferimenti originali, le figure, i modelli sono esposti a semplice titolo indicativo. La nostra produzione riporta il nostro marchio.

Suitable To: **ZF**

5S111GP/GPA and 5S111GP+GV90/1



All original equipment manufacturers numbers, symbols, models and description used in this catalogue are for reference only, and it is not implied that any part listed is the product of these manufactures. Tutti i nostri particolari non sono originali ma con essi intercambiabili. I riferimenti originali, le figure, i modelli sono esposti a semplice titolo indicativo. La nostra produzione riporta il nostro marchio.

Ratios

5S111GP	13,10-1,00
5S111GP+GV90/1	13,10-0,85
5S111GPA	13,40-1,02

Fig.	CEI no.	O.E.M. Reference		Description	Q.ty	Note	Ratio							
		ZF no.	MB no.					5S111GP	5S111GP-CV90/1	5S111GPA				
1	280.303	1269 202 104	000 260 1090	Oil Pump	1			●	●	●				
1	280.348	1295 202 041	000 260 1290	Oil Pump	1	Can Repl. 1269 202 104		●	●	●				
2	130.697	0750 118 129	007 981 0301	Bearing D.84,9x150x27,5	1			●	●	●				
3	102.135	1269 298 938	000 260 1720	Input Shaft 34 T	1	Z=115 mm		●						
3	190.198	1269 298 942	000 260 1820	Input Shaft 34 T	1	Z=124 mm		●						
4	130.698	0750 117 078	010 981 1501	Bearing D.85x150x30,50	1				●					
5	102.386	1269 298 939		Input Shaft 34 T	1				●					
6	137.087	0750 118 019	004 981 5801	Roller Cage D.30x60x26	1			●	●	●				
7	187.343	0737 502 152	000 990 1360	Grooved Nut M45x1,5	1	Old Type		●	●	●				
7A		0630 501 118		Seeger rig 2,60 mm	1	New Type		●	●	●				
8	109.078	1269 304 196	000 262 1240	Synchronizer Cone	1			●	●	●				
9	119.042	1272 304 076	000 262 1334	Synchronizer Ring	2	Old Type		●	●	●				
9	119.163	1272 304 166	000 262 8834	Synchronizer Ring	1	New Type		●	●	●				
9	119.054	1250 304 226	336 262 0734	Synchronizer Ring	2	Oldest(*)		●	●	●				
10	156.025	0732 020 030	336 264 0893	Spring L=31,50	3	Oldest		●	●	●				
11	157.095	1292 304 041	000 262 3735	Synchronizer Hub	1			●	●	●				
12	160.116	1240 304 278	336 264 0239	Pressure Piece	3			●	●	●				
13	156.036	0732 040 386	336 264 0793	Inner Spring De.3x34	3			●	●	●				
14	156.037	0732 040 385	336 264 0693	Outer Spring De.6x34	3			●	●	●				
15	154.032	1272 304 077	000 262 1923	Sliding Sleeve	1			●	●	●				
16	145.272	1292 304 047	000 262 3413	Gear 3rd Speed 35 T	1			●	●	●				
17	137.107	0735 320 499	009 981 9010	Needle Bearing D.62x70x40	1			●	●	●				
18	117.231	1269 304 197	000 262 1750	Bushing D.51x62x94	1			●	●	●				
19	145.293	1292 304 046	000 262 2812	Gear 2nd Speed 38 T	1			●	●	●				
20	137.236	0735 320 465	009 981 9310	Needle bearing D.70x78x42.8	1			●	●	●				
21	109.022	1250 304 351	000 262 0340	Synchronizer Cone	2			●	●	●				
22	119.042	1272 304 076	000 262 1334	Synchronizer Ring	2	Old Type		●	●	●				
22	119.163	1272 304 166	000 262 8834	Synchronizer Ring	2	New Type		●	●	●				
22	119.054	1250 304 226	336 262 0734	Synchronizer Ring	2	Oldest(*)		●	●	●				
23	157.116	1292 304 052	000 262 3835	Synchronizer Hub	1			●	●	●				
24	154.033	1240 304 375	000 262 0823	Sliding Sleeve	1			●	●	●				
25	145.294	1292 304 045	000 262 5411	Gear 1st Speed 41 T	1			●	●	●				
26	137.084	0735 320 418	010 981 3510	Needle Cage D.82x90x49	1			●	●	●				
27	103.108	1292 304 035	000 262 2205	Main Shaft	1	Old Type w/nut		●	●					
27	103.079	1292 304 069	000 262 3905	Main Shaft	1	New Type w/seeger		●	●					
27		1292 304 070	000 262 4005	Main Shaft (GPA Version)	1					●				
28	137.235	0735 320 466	009 981 9210	Needle bearing D.80x88x34,6	1			●	●	●				
29	145.262	1292 304 018	000 262 4311	Gear Low Speed 41 T	1			●	●	●				
30	157.117	1292 304 026	000 262 1827	Synchronizer Hub	1			●	●	●				
31	154.102	1292 304 025	000 262 3523	Sliding Sleeve	1			●	●	●				
32	171.014	0635 460 010	002 981 5685	Ball D.6	3			●	●	●				
33	156.124	0732 040 497	343 264 0993	Spring De.6x7	3			●	●	●				
34	145.261	1292 304 017	000 262 4411	Reverse Gear 37 T	1			●	●	●				
35	137.235	0735 320 466	009 981 9210	Needle bearing D.80x88x34,6	1			●	●	●				
36	117.205	1292 304 027	000 262 1850	Bushing	1			●	●	●				

Notes

(*) Old Version with 3 spring holes. To be used with spring 156.025 (fig. 10)

Date

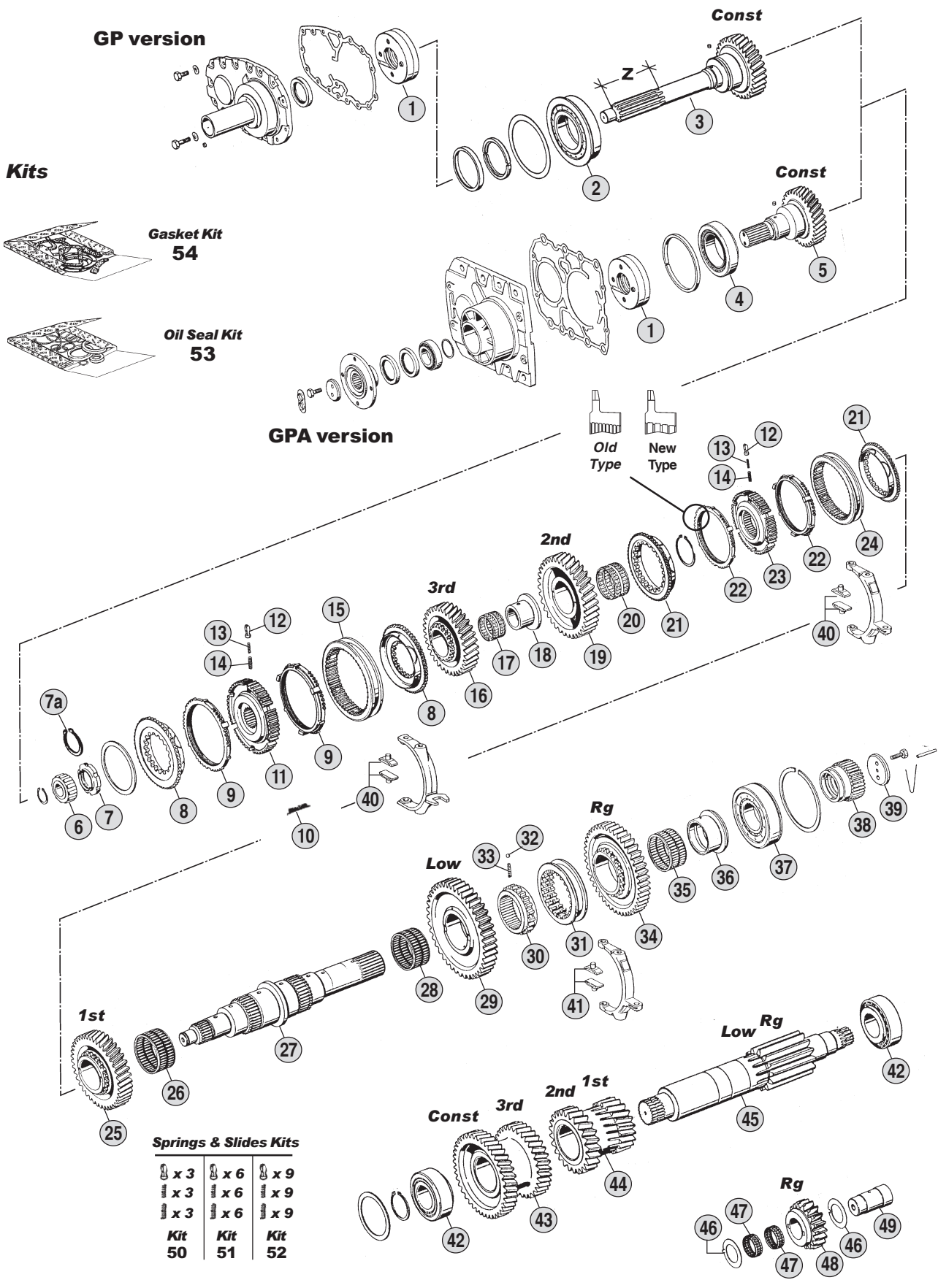
05 / 2006

Table

0090 / B

Suitable To: **ZF**

5S111GP/GPA and 5S111GP+GV90/1



All original equipment manufacturers numbers, symbols, models and description used in this catalogue are for reference only, and it is not implied that any part listed is the product of these manufactures. Tutti i nostri particolari non sono originali ma con essi intercambiabili. I riferimenti originali, le figure, i modelli sono esposti a semplice titolo indicativo. La nostra produzione riporta il nostro marchio.

Ratios

5S111GP	13,10-1,00
5S111GP+GV90/1	13,10-0,85
5S111GPA	13,40-1,02

Fig.	CEI no.	O.E.M. Reference		Description	Q.ty	Note	Ratio						
		ZF no.	MB no.					5S111GP	5S111GP-CV90/1	5S111GPA			
37	130.699	0750 118 081	005 981 8701	Bearing D.70x150x35	1			●	●	●			
38	157.082	1286 304 022	000 262 0910	Sun Gear 35 T	1			●	●	●			
39	188.212	1269 304 070	000 262 2362	Stop Washer	1			●	●	●			
40	141.061	1272 334 003	000 268 0149	Bronze Slide	2			●	●	●			
41	141.068	1295 306 132	000 268 0849	Bronze Slide	2			●	●	●			
42	130.242	0750 117 010	001 980 8102	Bearing D.50,80x100x35	2			●	●	●			
43	143.067	1292 303 005	000 263 2213	Double gear 33/41 T	1			●	●	●			
44	143.068	1292 303 006	000 263 2113	Double Gear 20/26 T	1			●	●	●			
45	105.062	1292 303 004	000 260 0924	Countershaft 13 T	1			●	●	●			
46	169.234	0730 150 064	343 263 0062	Thrust Washer	2			●	●	●			
47	137.007	0750 115 011	010 981 1010	Needle Cage D.45x53x21	2			●	●	●			
48	147.095	1292 305 004	000 263 3831	Reverse Gear 17 T	1			●	●	●			
49	107.088	1269 305 003	000 263 0530	Reverse Pin	1			●	●	●			
50	198.339	1268 298 938	CEI 198339	Spring Slide Set	1			●	●	●			
51	198.564	CEI 198564		Spring Slide Set	1			●	●	●			
52	198.842	1295 298 933		Spring Slide Set	1			●	●	●			
53	198.421	1269 298 928	CEI 198421	Oil Seal Kit	1			●	●				
54	198.422	1269 298 933	CEI 198422	Gasket Kit	1			●	●				

Notes

(*) Old Version with 3 spring holes. To be used with spring 156.025 (fig. 10)

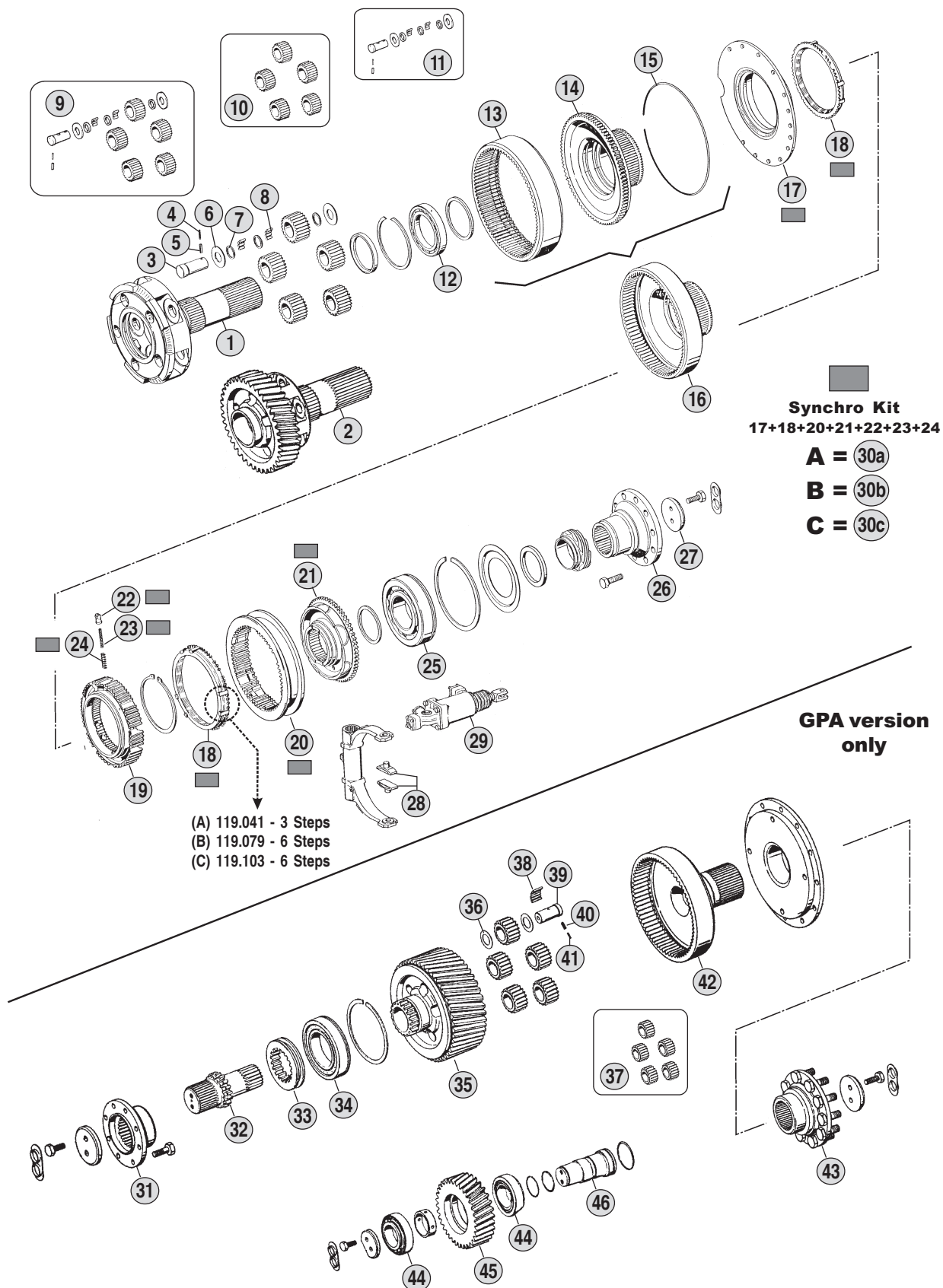
Date

05 / 2006

Table

0090 / B

All original equipment manufacturers' numbers, symbols, pictures, models and description used in this catalogue are for reference only, and it is not implied that any part listed is the product of these manufactures.
Tutti i nostri particolari non sono originali ma con essi intercambiabili. I riferimenti originali, le figure, i modelli sono esposti a semplice titolo indicativo. La nostra produzione riporta il nostro marchio.

Suitable To : **ZF****5S111GP/GPA** and **5S111GP+GV90/1**

All original equipment manufacturers' numbers, symbols, pictures, models and description used in this catalogue are for reference only, and it is not implied that any part listed is the product of these manufactures.
Tutti i nostri particolari non sono originali ma con essi intercambiabili. I riferimenti originali, le figure, i modelli sono esposti a semplice titolo indicativo. La nostra produzione riporta il nostro marchio.

Ratios

5S111GP	13,10-1,00
5S111GP+GV90/1	13,10-0,85
5S111GPA	13,40-1,02

Fig.	CEI no.	O.E.M. Reference		Description	Q.ty	Note	Ratio						
		ZF no.	MB no.					5S111GP	5S111GP+G190/1	5S111GPA			
1	190.402	1269 232 041	000 260 3961	Planet Carrier	1			●	●				
2	190.403	1269 232 037	000 260 2861	Planet Carrier	1					●			
3	107.089	1269 332 036	000 264 1618	Planetary pin	5			●	●				
3	107.208	1269 332 050	000 264 2918	Pin	5					●			
4	160.152	0631 329 016	001481 003021	Lock Pin D.3x20	5			●	●	●			
5	160.151	0631 329 048	001481 005026	Lock Pin D.5x20	5			●	●	●			
6	169.408	0501 305 887	003 264 2252	Thrust Washer D.29x57,5x1,5	10			●	●	●			
7	169.410	0730 103 846	003 264 2052	Spacer Ring D.29x39x1,00	15			●	●	●			
8	171.016	0735 470 057	001 981 1187	Roller D.6x14,75	180			●	●	●			
9	198.414	1269 298 958	000 262 0606	Planetary Gear Set (Complete)	1			●	●				
10	198.371	1286 298 902	000 260 1197	Planetary Gear Set (5 pcs)	1			●	●	●			
11	198.447	CEI 198447		Overhaul Planetary Gear Kit	1	Complete (For 5 series)		●	●				
12	130.700	0635 330 050		Bearing D.75x115x13	1			●	●	●			
13	123.163	1269 332 055	000 264 2821	Crown Gear 85 T	1			●	●	●			
14	150.113	1269 332 054	000 262 0325	Carrier Hub 85 T	1			●	●	●			
15	111.175	0730 505 053	000 264 0673	Locking Wire 2,50	1			●	●	●			
16	123.145	1269 332 020	000 264 1721	Crown Gear 85 T	1	Old Type		●	●	●			
17	135.060	1269 233 010	000 262 2037	Synchronizer Flange	1		(AB)	●	●	●			
17	135.111	1269 233 012	000 262 3340	Synchronizer Flange	1		(C)	●	●	●			
18	119.041	1269 328 254	000 262 0734	Synchronizer Ring	2		(A)	●	●	●			
18	119.079	1269 328 289	000 262 2234	Synchronizer Ring	2		(B)	●	●	●			
18	119.103	1269 328 291	000 262 3534	Synchronizer Ring	2		(C)	●	●	●			
19	157.115	1269 333 057	000 263 0835	Synchronizer Hub	1		(ABC)	●	●	●			
20	154.031	1269 333 047	000 262 4123	Sliding Sleeve	1		(ABC)	●	●	●			
21	109.020	1269 333 048	000 262 1537	Synchronizer cone	1		(AB)	●	●	●			
21	109.120	1269 333 056	000 262 3240	Synchronizer cone	1		(C)	●	●	●			
22	160.126	1269 328 234	000 263 0140	Pressure Piece	6			●	●	●			
23	156.125	0732 040 929	003 993 9201	Spring D. 6x36	6			●	●	●			
24	156.120	0732 040 736	002 993 7501	Spring D.10x36	6			●	●	●			
25	130.264	0635 333 049	000 981 9025	Bearing D.70x150x35	1			●	●	●			
26	155.132	1269 338 028	000 264 0845	Output Flange D.165 (8 holes)	1			●	●				
26	155.167	1269 338 026		Output Flange D.180 (8 holes)	1			●	●				
26	155.113	1269 338 020	000 264 0945	Output Flange D.180 (10 holes)	1			●	●				
27	188.070	1240 304 117	343 262 0062	Stop Washer	1			●	●				
28	141.088	1295 334 027	000 268 0549	Bronze Slide	2			●	●	●			
29	280.630	0750 132 019	000 260 4663	Cylinder	1			●	●	●			
29	280.366	0750 132 009	000 260 5363	Cylinder	1			●	●	●			
30A	198.966	CEI 198966		Synchronizer Kit	1		(A)	●	●	●			
30B	198.515	1269 298 979		Synchronizer Kit	1		(B)	●	●	●			
30C	198.717	1269 298 980		Synchronizer Kit	1		(C)	●	●	●			
31	197.138	1269 339 048	000 260 0717	Output Flange (GPA)	1					●			
32	101.143	1269 339 025	000 262 5902	Shaft (GPA)	1					●			
33	154.369	1269 339 003	000 262 1323	Sliding sleeve	1					●			
34	130.701	0635 332 132	000 625 536 219	Bearing D.95x170x32	1					●			
35	190.405	1269 237 012	000 260 0861	Planet Carrier (GPA)	1					●			

Notes

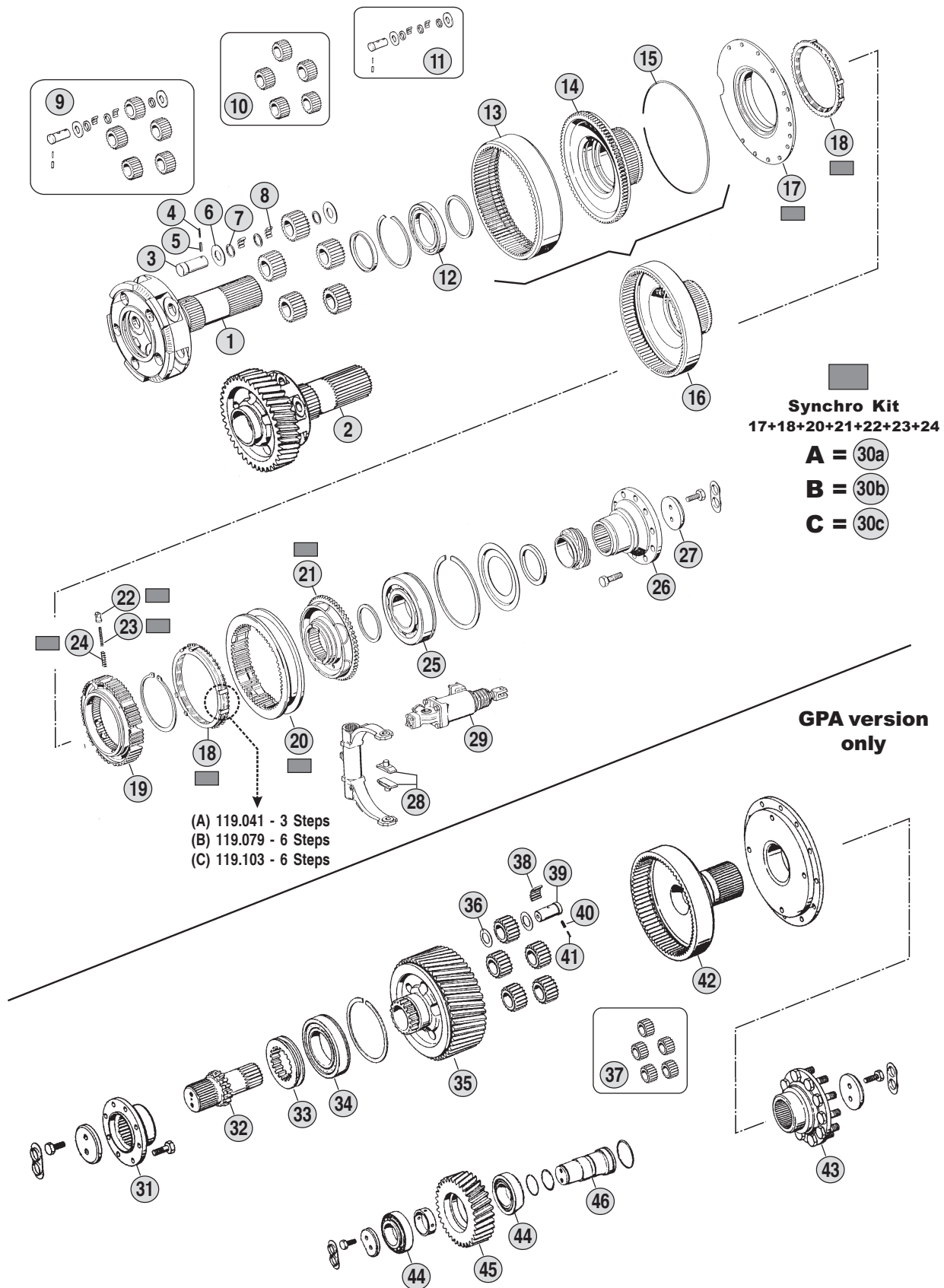
- (A) 1st Generation. To be coupled together.
 (B) 2ns Generation. To be coupled together.
 (C) 3rd Generation. Reinforced. To be coupled together. **Do no MIX**

Date

05 / 2006

Table

0090 / C

Suitable To : **ZF****5S111GP/GPA** and **5S111GP+GV90/1**

All original equipment manufacturers' numbers, symbols, pictures, models and description used in this catalogue are for reference only, and it is not implied that any part listed is the product of these manufactures.
Tutti i nostri particolari non sono originali ma con essi intercambiabili. I riferimenti originali, le figure, i modelli sono esposti a semplice titolo indicativo. La nostra produzione riporta il nostro marchio.

Ratios

5S111GP	13,10-1,00
5S111GP+GV90/1	13,10-0,85
5S111GPA	13,40-1,02

ZF Index

ZF no.	CEI no.	MB no.	Tav.	Fig.	ZF no.	CEI no.	MB no.	Tav.	Fig.
0501 001 947	See	0750 132 009			0635 460 010	171.014	002 981 5685	0050	8
0501 304 692	169.396	002 264 5152	0070/C	6	0635 460 010	171.014	002 981 5685	0050	18
0501 305 887	169.408	003 264 2252	0080/D	6	0635 460 010	171.014	002 981 5685	0050	28
0501 305 887	169.408	003 264 2252	0090/C	6	0635 460 010	171.014	002 981 5685	0070/A	9
0630 501 118			0090/B	7A	0635 460 010	171.014	002 981 5685	0070/A	17
0630 531 057	111.018	001 994 8841	0020	5	0635 460 010	171.014	002 981 5685	0070/A	26
0630 531 057	111.018	001 994 8841	0030	4A	0635 460 010	171.014	002 981 5685	0070/B	31
0630 531 057	111.018	001 994 8841	0050	5	0635 460 010	171.014	002 981 5685	0080/B	9
0630 531 057	111.018	001 994 8841	0060	4A	0635 460 010	171.014	002 981 5685	0080/B	17
0631 329 014			0090/C	41	0635 460 010	171.014	002 981 5685	0080/B	26
0631 329 016	160.152	001481 003021	0070/C	5	0635 460 010	171.014	002 981 5685	0080/C	32
0631 329 016	160.152	001481 003021	0080/D	4	0635 460 010	171.014	002 981 5685	0090/B	32
0631 329 016	160.152	001481 003021	0090/C	4	0635 501 398	See	1246 203 008		
0631 329 046		001 481 005 017	0090/C	40	0635 501 400	See	1246 203 007		
0631 329 048	160.151	001481 005026	0070/C	4	0635 501 408	See	1246 203 011		
0631 329 048	160.151	001481 005026	0080/D	5	0635 900 109	See	0635 333 049		
0631 329 048	160.151	001481 005026	0090/C	5	0730 002 088		000 264 1062	0090/C	36
0631 329 048	See	0501 315 917			0730 060 644	See	1250 305 006		
0635 330 016	See	0635 330 050			0730 103 102	169.397	002 264 5252	0070/C	7
0635 330 050	130.700		0080/D	12	0730 103 846	169.410	003 264 2052	0080/D	7
0635 330 050	130.700		0090/C	12	0730 103 846	169.410	003 264 2052	0090/C	7
0635 332 058	See	0750 116 036			0730 150 064	169.234	343 263 0062	0020	44
0635 332 132	130.701	000 625 536 219	0080/D	33	0730 150 064	169.234	343 263 0062	0030	48
0635 332 132	130.701	000 625 536 219	0090/C	34	0730 150 064	169.234	343 263 0062	0050	44
0635 333 049	130.264	000 981 9025	0020	35	0730 150 064	169.234	343 263 0062	0060	48
0635 333 049	130.264	000 981 9025	0050	35	0730 150 064	169.234	343 263 0062	0070/A	41
0635 333 049	130.264	000 981 9025	0080/D	25	0730 150 064	169.234	343 263 0062	0070/B	48
0635 333 049	130.264	000 981 9025	0090/C	25	0730 150 064	169.234	343 263 0062	0080/B	38
0635 338 028	See	0735 340 080			0730 150 064	169.234	343 263 0062	0080/C	46
0635 371 029	See	0750 117 078			0730 150 064	169.234	343 263 0062	0090/B	46
0635 373 008	130.696		0070/C	41	0730 150 767	See	0501 304 692		
0635 373 008	130.696		0070/C	43	0730 160 240	See	0730 160 344		
0635 374 019	See	0750 117 778			0730 160 344	117.101	343 262 0350	0020	32
0635 416 273	130.695	005412 520217	0070/C	35	0730 160 344	117.101	343 262 0350	0030	35
0635 421 166	See	0735 410 029			0730 160 344	117.101	343 262 0350	0050	32
0635 421 189	See	0750 118 015			0730 160 344	117.101	343 262 0350	0060	35
0635 421 206	See	0735 410 034			0730 505 027	111.266	001 994 0135	0070/C	13
0635 421 254	See	0750 118 082			0730 505 029	See	0730 505 054		
0635 421 276	See	0750 118 081			0730 505 046	See	0730 505 053		
0635 457 037	See	1269 298 966			0730 505 053	111.175	000 264 0673	0080/D	15
0635 460 010	171.014	002 981 5685	0020	8	0730 505 053	111.175	000 264 0673	0090/C	15
0635 460 010	171.014	002 981 5685	0020	18	0730 505 054	111.267	001 994 4135	0070/C	15
0635 460 010	171.014	002 981 5685	0020	28	0732 020 030	156.025	336 264 0893	0010	6A

All original equipment manufacturers numbers, symbols, pictures, models and description used in this catalogue are for reference only, and it is not implied that any part listed is the product of these manufacturers. Tutti i nostri particolari non sono originali ma con essi intercambiabili. I riferimenti originali, le figure, i modelli sono esposti a semplice titolo indicativo. La nostra produzione riporta il nostro marchio.

Date

05 / **2006**

Table

Index

ZF no.	CEI no.	MB no.	Tav. Fig.	ZF no.	CEI no.	MB no.	Tav. Fig.
0732 020 030	156.025	336 264 0893	0030 7	0735 320 042	See	0750 115 011	
0732 020 030	156.025	336 264 0893	0040 6A	0735 320 105	See	0750 115 227	
0732 020 030	156.025	336 264 0893	0060 7	0735 320 110	See	0750 115 134	
0732 020 030	156.025	336 264 0893	0070/B 8A	0735 320 111	See	0750 115 282	
0732 020 030	156.025	336 264 0893	0080/A 10	0735 320 114	137.101	006 981 1410	0005 44
0732 020 030	156.025	336 264 0893	0080/C 10	0735 320 150	See	0735 320 154	
0732 020 030	156.025	336 264 0893	0090/A 10	0735 320 154	137.096	001 981 7410	0020 33
0732 020 030	156.025	336 264 0893	0090/B 10	0735 320 154	137.096	001 981 7410	0030 36
0732 040 385	156.037	336 264 0693	0010 11	0735 320 154	137.096	001 981 7410	0050 33
0732 040 385	156.037	336 264 0693	0030 13	0735 320 154	137.096	001 981 7410	0060 36
0732 040 385	156.037	336 264 0693	0040 11	0735 320 154	See	1268 298 936	
0732 040 385	156.037	336 264 0693	0060 13	0735 320 203	See	0735 320 314	
0732 040 385	156.037	336 264 0693	0070/B 14	0735 320 204	See	0750 115 284	
0732 040 385	156.037	336 264 0693	0070/C 22	0735 320 206	See	0750 115 283	
0732 040 385	156.037	336 264 0693	0080/A 14	0735 320 210	137.098	006 981 1710	0005 18
0732 040 385	156.037	336 264 0693	0080/C 14	0735 320 211	137.097	006 981 1610	0005 13
0732 040 385	156.037	336 264 0693	0090/A 14	0735 320 212	See	0735 320 411	
0732 040 385	156.037	336 264 0693	0090/B 14	0735 320 261	See	0735 320 396	
0732 040 386	156.036	336 264 0793	0010 10	0735 320 262	See	0735 320 493	
0732 040 386	156.036	336 264 0793	0030 12	0735 320 314	137.091	005 981 0510	0020 11
0732 040 386	156.036	336 264 0793	0040 10	0735 320 314	137.091	005 981 0510	0030 15
0732 040 386	156.036	336 264 0793	0060 12	0735 320 314	137.091	005 981 0510	0050 11
0732 040 386	156.036	336 264 0793	0070/B 13	0735 320 314	137.091	005 981 0510	0060 15
0732 040 386	156.036	336 264 0793	0070/C 21	0735 320 314	137.091	005 981 0510	0060 15
0732 040 386	156.036	336 264 0793	0080/A 13	0735 320 314	See	9999 888 662	
0732 040 386	156.036	336 264 0793	0080/C 13	0735 320 371	137.079	005 981 8710	0080/B 19
0732 040 386	156.036	336 264 0793	0090/A 13	0735 320 371	137.079	005 981 8710	0080/B 22
0732 040 386	156.036	336 264 0793	0090/B 13	0735 320 371	137.079	005 981 8710	0080/B 29
0732 040 409	156.140	005 993 6101	0005 9	0735 320 371	137.079	005 981 8710	0080/C 26
0732 040 497	156.124	343 264 0993	0020 19	0735 320 371	137.079	005 981 8710	0080/C 28
0732 040 497	156.124	343 264 0993	0050 19	0735 320 371	137.079	005 981 8710	0080/C 35
0732 040 497	156.124	343 264 0993	0070/A 18	0735 320 374	See	0750 115 227	
0732 040 497	156.124	343 264 0993	0070/A 27	0735 320 377	137.075	006 981 6410	0070/A 22
0732 040 497	156.124	343 264 0993	0070/B 32	0735 320 377	137.075	006 981 6410	0070/B 27
0732 040 497	156.124	343 264 0993	0080/B 18	0735 320 380	See	0750 115 089	
0732 040 497	156.124	343 264 0993	0080/B 27	0735 320 388	See	0735 320 417	
0732 040 497	156.124	343 264 0993	0080/C 33	0735 320 396	137.077	008 981 1010	0080/B 11
0732 040 497	156.124	343 264 0993	0090/B 33	0735 320 396	137.077	008 981 1010	0080/C 17
0732 040 735	See	0732 040 929		0735 320 401	See	0735 320 418	
0732 040 736	156.120	002 993 7501	0080/D 24	0735 320 408	See	0750 115 282	
0732 040 736	156.120	002 993 7501	0090/C 24	0735 320 411	137.099	007 981 1910	0005 24
0732 040 929	156.125	003 993 9201	0080/D 23	0735 320 417	137.267	012 981 7910	0070/A 29
0732 040 929	156.125	003 993 9201	0090/C 23	0735 320 417	137.267	012 981 7910	0070/B 33

All original equipment manufacturers numbers, symbols, pictures, models and description used in this catalogue are for reference only, and it is not implied that any part listed is the product of these manufacturers. Tutti i nostri particolari non sono originali ma con essi intercambiabili. I riferimenti originali, le figure, i modelli sono esposti a semplice titolo indicativo. La nostra produzione riporta il nostro marchio.

ZF Index

ZF no.	CEI no.	MB no.	Tav. Fig.	ZF no.	CEI no.	MB no.	Tav. Fig.
0735 320 418	137.084	010 981 3510	0090/B 26	0750 115 011	137.007	010 981 1010	0030 49
0735 320 465	<i>137.236</i>	009 981 9310	0090/B 20	0750 115 011	137.007	010 981 1010	0050 46
0735 320 466	<i>137.235</i>	009 981 9210	0090/B 28	0750 115 011	137.007	010 981 1010	0060 49
0735 320 466	<i>137.235</i>	009 981 9210	0090/B 35	0750 115 011	137.007	010 981 1010	0070/A 42
0735 320 470	<i>See</i>	0750 115 284		0750 115 011	137.007	010 981 1010	0070/B 49
0735 320 484	<i>See</i>	0735 320 371		0750 115 011	137.007	010 981 1010	0080/B 39
0735 320 493	<i>137.078</i>	008 981 0910	0080/B 14	0750 115 011	137.007	010 981 1010	0080/C 47
0735 320 493	<i>137.078</i>	008 981 0910	0080/C 20	0750 115 011	137.007	010 981 1010	0090/B 47
0735 320 499	<i>137.107</i>	009 981 9010	0060 15	0750 115 089	<i>137.108</i>	011 981 1210	0010 3
0735 320 499	<i>137.107</i>	009 981 9010	0090/B 17	0750 115 089	<i>137.108</i>	011 981 1210	0040 3
0735 320 731	<i>137.265</i>	012 981 7810	0070/A 11	0750 115 089	<i>137.108</i>	011 981 1210	0080/A 6
0735 320 731	<i>137.265</i>	012 981 7810	0070/B 16	0750 115 089	<i>137.108</i>	011 981 1210	0090/A 6
0735 320 732	<i>137.266</i>	012 981 7910	0070/A 14	0750 115 134	<i>137.093</i>	012 981 5910	0020 21
0735 320 732	<i>137.266</i>	012 981 7910	0070/B 19	0750 115 134	<i>137.093</i>	012 981 5910	0030 24
0735 340 080	<i>130.265</i>	002 981 7825	0070/C 26	0750 115 134	<i>137.093</i>	012 981 5910	0050 21
0735 358 014	<i>137.100</i>	001 981 7312	0005 4	0750 115 134	<i>137.093</i>	012 981 5910	0060 24
0735 358 032	<i>137.268</i>	002 981 3410	0010 14	0750 115 227	<i>137.074</i>	005 981 9910	0070/A 19
0735 358 032	<i>137.268</i>	002 981 3410	0040 14	0750 115 227	<i>137.074</i>	005 981 9910	0070/B 25
0735 358 032	<i>137.268</i>	002 981 3410	0080/A 18	0750 115 282	<i>137.094</i>	013 981 9210	0020 23
0735 358 032	<i>137.268</i>	002 981 3410	0090/A 18	0750 115 282	<i>137.094</i>	013 981 9210	0030 26
0735 370 033	<i>130.235</i>	005 981 5005	0070/A 2	0750 115 282	<i>137.094</i>	013 981 9210	0050 23
0735 370 033	<i>130.235</i>	005 981 5005	0070/B 2	0750 115 282	<i>137.094</i>	013 981 9210	0060 26
0735 370 037	<i>See</i>	0750 117 381		0750 115 283	<i>137.095</i>	002 981 1710	0020 29
0735 370 055	<i>See</i>	0750 117 010		0750 115 283	<i>137.095</i>	002 981 1710	0030 32
0735 410 029	<i>130.178</i>	001 981 2418	0005 2	0750 115 283	<i>137.095</i>	002 981 1710	0050 29
0735 410 034	<i>130.267</i>	005 981 1205	0005 33	0750 115 283	<i>137.095</i>	002 981 1710	0060 32
0735 455 004	<i>See</i>	0750 118 019		0750 115 284	<i>137.092</i>	013 981 9110	0020 14
0735 455 012	<i>130.692</i>	003 981 6001	0060 3	0750 115 284	<i>137.092</i>	013 981 9110	0030 18
0735 470 027	<i>171.015</i>	001 981 0087	0070/C 8	0750 115 284	<i>137.092</i>	013 981 9110	0050 14
0735 470 045		001 981 0287	0090/C 38	0750 115 284	<i>137.092</i>	013 981 9110	0060 18
0735 470 057	171.016	001 981 1187	0080/D 8	0750 116 036	<i>130.266</i>	003 981 9925	0070/C 28
0735 470 057	171.016	001 981 1187	0090/C 8	0750 117 010	130.242	001 980 8102	0040 16
0737 502 003	<i>See</i>	0737 502 152		0750 117 010	130.242	001 980 8102	0050 39
0737 502 011	<i>See</i>	0737 502 168		0750 117 010	130.242	001 980 8102	0060 42
0737 502 152	<i>187.343</i>	000 990 1360	0080/B 6A	0750 117 010	130.242	001 980 8102	0080/A 20
0737 502 152	<i>187.343</i>	000 990 1360	0080/C 7	0750 117 010	130.242	001 980 8102	0080/B 34
0737 502 152	<i>187.343</i>	000 990 1360	0090/B 7	0750 117 010	130.242	001 980 8102	0080/C 42
0737 502 168	<i>187.245</i>	343 990 0360	0020 4	0750 117 010	130.242	001 980 8102	0090/A 20
0737 502 168	<i>187.245</i>	343 990 0360	0030 4	0750 117 010	130.242	001 980 8102	0090/B 42
0737 502 168	<i>187.245</i>	343 990 0360	0050 4	0750 117 030	<i>See</i>	0750 117 010	
0737 502 168	<i>187.245</i>	343 990 0360	0060 4	0750 117 078	<i>130.698</i>	010 981 1501	0080/A 4
0750 115 007	<i>See</i>	0735 320 499		0750 117 078	<i>130.698</i>	010 981 1501	0080/B 4
0750 115 011	137.007	010 981 1010	0020 46	0750 117 078	<i>130.698</i>	010 981 1501	0080/C 4

All original equipment manufacturers' numbers, symbols, pictures, models and description used in this catalogue are for reference only, and it is not implied that any part listed is the product of these manufactures. Tutti i nostri particolari non sono originali ma con essi intercambiabili. I riferimenti originali, le figure, i modelli sono esposti a semplice titolo indicativo. La nostra produzione riporta il nostro marchio.

Date

05 / 2006

Table

Index

ZF no.	CEI no.	MB no.	Tav. Fig.	ZF no.	CEI no.	MB no.	Tav. Fig.
0750 117 078	130.698	010 981 1501	0090/B 4	0750 118 129	130.697	007 981 0301	0090/A 2
0750 117 083	130.234	009 981 3301	0010 16	0750 118 129	130.697	007 981 0301	0090/A 17
0750 117 083	130.234	009 981 3301	0020 39	0750 118 129	130.697	007 981 0301	0090/B 2
0750 117 083	130.234	009 981 3301	0030 42	0750 132 009	280.366	000 260 5363	0080/D 29
0750 117 083	130.234	009 981 3301	0070/A 35	0750 132 009	280.366	000 260 5363	0090/C 29
0750 117 083	130.234	009 981 3301	0070/B 42	0750 132 019	280.630	000 260 4663	0070/C 25
0750 117 083	See	1246 203 007		0750 132 019	280.630	000 260 4663	0080/D 29
0750 117 203			0040 18	0750 132 019	280.630	000 260 4663	0090/C 29
0750 117 381	130.693		0070/A 4	1203 304 020	187.453	325 990 0055	0005 37
0750 117 381	130.693		0070/B 4	1203 304 037	169.459	000 262 1353	0005 34
0750 117 664			0005 38	1203 304 244	See	1203 304 020	
0750 117 778	130.263	004 981 1305	0050 39A	1203 321 009	156.150	002 993 1801	0020 9
0750 117 778	130.263	004 981 1305	0060 47	1203 321 009	156.150	002 993 1801	0020 27
0750 118 015	130.694	005 981 5201	0070/A 30	1203 321 009	156.150	002 993 1801	0050 9
0750 118 015	130.694	005 981 5201	0070/B 35	1203 321 009	156.150	002 993 1801	0050 27
0750 118 019	137.087	004 981 5801	0070/A 6	1203 321 009	156.150	002 993 1801	0070/A 9A
0750 118 019	137.087	004 981 5801	0070/B 6	1203 321 009	156.150	002 993 1801	0080/B 9A
0750 118 019	137.087	004 981 5801	0080/B 6	1229 305 004	169.458	000 263 0362	0005 45
0750 118 019	137.087	004 981 5801	0080/C 6	1238 203 010	See	1238 303 110	
0750 118 019	137.087	004 981 5801	0090/B 6	1238 203 012	See	1238 303 112	
0750 118 068	See	0750 118 129		1238 203 019	105.071	000 263 1502	0005 42
0750 118 081	130.699	005 981 8701	0010 1	1238 204 014	See	1238 204 017	
0750 118 081	130.699	005 981 8701	0040 1	1238 204 017	155.158	000 262 4935	0005 28
0750 118 081	130.699	005 981 8701	0080/B 30	1238 302 094			0005 1
0750 118 081	130.699	005 981 8701	0080/C 37	1238 302 098			0005 1
0750 118 081	130.699	005 981 8701	0090/B 37	1238 302 099	128.138		0005 1
0750 118 082	130.258	005 981 8501	0010 13	1238 302 100			0005 3
0750 118 082	130.258	005 981 8501	0020 1	1238 302 103			0005 3
0750 118 082	130.258	005 981 8501	0030 1	1238 302 118			0005 1
0750 118 082	130.258	005 981 8501	0030 38	1238 302 137			0005 3
0750 118 082	130.258	005 981 8501	0040 13	1238 302 138			0005 1
0750 118 082	130.258	005 981 8501	0050 1	1238 302 142	102.146		0005 3
0750 118 082	130.258	005 981 8501	0060 1	1238 302 157			0005 3
0750 118 082	130.258	005 981 8501	0060 38	1238 302 168			0005 3
0750 118 090	130.691	006 981 4701	0020 3	1238 302 172			0005 3
0750 118 090	130.691	006 981 4701	0030 3	1238 302 173			0005 3
0750 118 090	130.691	006 981 4701	0050 3	1238 302 174			0005 1
0750 118 090	130.691	006 981 4701	0060 3	1238 302 197			0005 3
0750 118 090	130.691	006 981 4701	0060 3	1238 302 294			0005 1
0750 118 129	130.697	007 981 0301	0080/A 2	1238 302 296	See	1238 302 297	
0750 118 129	130.697	007 981 0301	0080/A 17	1238 302 297	102.225		0005 3
0750 118 129	130.697	007 981 0301	0080/B 2	1238 302 298	See	1238 302 299	
0750 118 129	130.697	007 981 0301	0080/C 2	1238 302 299	102.224		0005 3

All original equipment manufacturers numbers, symbols, pictures, models and description used in this catalogue are for reference only, and it is not implied that any part listed is the product of these manufacturers. Tutti i nostri particolari non sono originali ma con essi intercambiabili. I riferimenti originali, le figure, i modelli sono esposti a semplice titolo indicativo. La nostra produzione riporta il nostro marchio.

ZF Index

ZF no.	CEI no.	MB no.	Tav. Fig.	ZF no.	CEI no.	MB no.	Tav. Fig.
1238 302 306			0005 3	1238 304 349			0005 36
1238 302 313			0005 3	1238 304 350			0005 14
1238 302 323			0005 3	1238 304 376			0005 16
1238 302 325			0005 1	1238 304 383	109.099	000 262 2036	0005 5
1238 302 331			0005 1	1238 304 384	<i>See</i>	1290 304 264	
1238 302 340			0005 1	1238 304 387	<i>See</i>	1238 304 584	
1238 302 341			0005 3	1238 304 388	<i>See</i>	1238 304 520	
1238 302 347			0005 3	1238 304 390	154.118	000 262 5823	0005 21
1238 302 364			0005 3	1238 304 390	154.118	000 262 5823	0005 27
1238 303 054	146.243		0005 39	1238 304 394	<i>188.096</i>	000 262 0018	0005 11
1238 303 055	<i>146.244</i>		0005 40	1238 304 405			0005 36
1238 303 061	146.372	000 263 2010	0005 39	1238 304 420	119.072	000 262 2634	0005 20
1238 303 062			0005 40	1238 304 433			0005 12
1238 303 069	<i>146.371</i>		0005 40	1238 304 486	<i>See</i>	1238 304 059	
1238 303 098			0005 39	1238 304 488	<i>See</i>	1238 304 227	
1238 303 099			0005 40	1238 304 520	<i>155.157</i>	000 262 5035	0005 22
1238 303 110	<i>143.091</i>		0005 41	1238 304 530	<i>See</i>	1238 304 093	
1238 303 112	<i>143.071</i>		0005 41	1238 304 532	<i>145.459</i>	000 262 4812	0005 23
1238 303 117			0005 41	1238 304 537	<i>See</i>	1238 304 297	
1238 303 122	<i>See</i>	1238 203 019		1238 304 550	<i>145.457</i>		0005 12
1238 304 006	<i>117.222</i>	000 262 0850	0005 14	1238 304 561	<i>See</i>	1238 304 584	
1238 304 059	<i>145.325</i>	000 262 1811	0005 26	1238 304 571			0005 30
1238 304 060	<i>145.323</i>		0005 12	1238 304 584	<i>155.156</i>	000 262 4835	0005 8
1238 304 061	<i>145.324</i>		0005 16	1238 305 018	<i>147.103</i>	000 263 1131	0005 43
1238 304 087			0005 12	1238 305 019	<i>107.114</i>	000 263 0630	0005 46
1238 304 088	<i>145.333</i>	000 262 1013	0005 16	1240 304 117	<i>188.070</i>	343 262 0062	0020 37
1238 304 093	<i>145.308</i>	000 262 0912	0005 23	1240 304 117	<i>188.070</i>	343 262 0062	0030 40
1238 304 094	<i>See</i>	1238 304 550		1240 304 117	<i>188.070</i>	343 262 0062	0050 37
1238 304 097	<i>145.332</i>	000 262 1214	0005 12	1240 304 117	<i>188.070</i>	343 262 0062	0060 40
1238 304 131	<i>See</i>	0735 320 210		1240 304 117	<i>188.070</i>	343 262 0062	0070/C 30
1238 304 223	<i>169.437</i>	000 262 2662	0005 15	1240 304 117	<i>188.070</i>	343 262 0062	0080/D 27
1238 304 227	<i>145.326</i>	000 262 1911	0005 31	1240 304 117	<i>188.070</i>	343 262 0062	0090/C
1238 304 231	<i>117.223</i>	000 262 1050	0005 19	1240 304 205	<i>See</i>	1240 304 272	
1238 304 232	<i>117.224</i>	000 262 0950	0005 29	1240 304 272	154.064	000 262 0623	0010 8
1238 304 296	<i>See</i>	1238 304 532		1240 304 272	154.064	000 262 0623	0040 8
1238 304 297	<i>145.458</i>	000 262 5613	0005 16	1240 304 272	154.064	000 262 0623	0080/A 15
1238 304 317	<i>169.438</i>	000 262 2562	0005 32	1240 304 272	154.064	000 262 0623	0090/A 15
1238 304 332			0005 36	1240 304 278	160.116	336 264 0239	0010 9
1238 304 333			0005 36	1240 304 278	160.116	336 264 0239	0030 11
1238 304 334	<i>155.155</i>		0005 36	1240 304 278	160.116	336 264 0239	0040 9
1238 304 336			0005 36	1240 304 278	160.116	336 264 0239	0060 11
1238 304 345	103.066	000 262 1205	0005 25	1240 304 278	160.116	336 264 0239	0070/B 12
1238 304 348			0005 36	1240 304 278	160.116	336 264 0239	0080/A 12

All original equipment manufacturers' numbers, symbols, pictures, models and description used in this catalogue are for reference only, and it is not implied that any part listed is the product of these manufacturers. Tutti i nostri particolari non sono originali ma con essi intercambiabili. I riferimenti originali, le figure, i modelli sono esposti a semplice titolo indicativo. La nostra produzione riporta il nostro marchio.

Date

05 / 2006

Table

Index

ZF no.	CEI no.	MB no.	Tav. Fig.	ZF no.	CEI no.	MB no.	Tav. Fig.
1240 304 278	160.116	336 264 0239	0080/C 12	1250 302 192	<i>102.140</i>		0020 2
1240 304 278	160.116	336 264 0239	0090/A 12	1250 302 192	<i>102.140</i>		0030 2
1240 304 278	160.116	336 264 0239	0090/B 12	1250 302 196	102.080	366 262 0102	0020 2
1240 304 305	<i>See</i>	1240 304 384		1250 302 196	102.080	366 262 0102	0030 2
1240 304 375	154.033	000 262 0823	0080/C 24	1250 302 199	<i>102.073</i>	343 262 0102	0020 2
1240 304 375	154.033	000 262 0823	0090/B 24	1250 302 205	<i>See</i>	1250 302 259	
1240 304 384	<i>119.069</i>	000 262 0434	0010 6	1250 302 242	<i>See</i>	1272 304 136	
1240 304 384	<i>119.069</i>	000 262 0434	0040 6	1250 302 258	<i>102.160</i>	000 262 2502	0020 2
1240 304 384	<i>119.069</i>	000 262 0434	0080/A 9	1250 302 258	<i>102.160</i>	000 262 2502	0030 2
1240 304 384	<i>119.069</i>	000 262 0434	0090/A 9	1250 302 259	<i>102.188</i>		0020 2
1240 306 171	<i>See</i>	1240 306 234		1250 302 259	<i>102.188</i>		0030 2
1240 306 234	<i>141.062</i>	000 265 0549	0020 38	1250 302 260	<i>102.200</i>	000 262 3402	0030 2
1240 306 234	<i>141.062</i>	000 265 0549	0050 38	1250 302 287	<i>102.362</i>		0020 2
1240 312 073		336 264 0023	0010 8	1250 302 287	<i>102.362</i>		0030 2
1246 203 008	<i>130.233</i>	001 980 9602	0020 39A	1250 302 294	<i>102.365</i>		0020 2
1246 203 008	<i>130.233</i>	001 980 9602	0030 47	1250 302 294	<i>102.365</i>		0030 2
1246 203 008	<i>130.233</i>	001 980 9602	0070/A 40	1250 302 303	<i>102.139</i>		0030 2
1246 203 008	<i>130.233</i>	001 980 9602	0070/B 47	1250 302 304	<i>102.368</i>		0030 2
1246 203 011			0010 18	1250 302 378	<i>102.211</i>		0030 2
1246 304 134	<i>See</i>	1272 304 075		1250 302 392	<i>102.366</i>		0030 2
1246 304 136	<i>155.139</i>	000 262 1627	0070/A 24	1250 302 445	<i>102.210</i>		0030 2
1246 304 136	<i>155.139</i>	000 262 1627	0070/B 29	1250 302 452	<i>102.364</i>		0020 2
1246 304 237	<i>154.367</i>	000 262 5223	0020 26	1250 302 464			0020 2
1246 304 237	<i>154.367</i>	000 262 5223	0050 26	1250 303 016	<i>See</i>	1250 303 056	
1249 304 215	<i>See</i>	1249 304 222		1250 303 027	<i>See</i>	1250 303 058	
1249 304 222	<i>160.143</i>	000 262 0674	0005 10	1250 303 032	<i>See</i>	1250 203 002	
1250 203 002	<i>105.038</i>	000 260 0224	0020 43	1250 303 034	<i>See</i>	1250 303 060	
1250 203 002	<i>105.038</i>	000 260 0224	0030 46	1250 303 046	<i>See</i>	1250 303 049	
1250 204 008	<i>155.079</i>	366 260 0017	0020 36	1250 303 047	<i>See</i>	1250 303 116	
1250 204 008	<i>155.079</i>	366 260 0017	0030 39	1250 303 048	<i>146.102</i>	343 263 0215	0020 41
1250 204 008	<i>155.079</i>	366 260 0017	0050 36	1250 303 048	<i>146.102</i>	343 263 0215	0030 44
1250 204 008	<i>155.079</i>	366 260 0017	0060 39	1250 303 049	<i>143.126</i>		0020 42
1250 204 072	<i>See</i>	1250 304 351		1250 303 049	<i>143.126</i>		0030 45
1250 298 907	198.417	CEI 198417	0010 23	1250 303 053	<i>See</i>	1250 303 113	
1250 298 907	198.417	CEI 198417	0020 49	1250 303 054	<i>See</i>	1250 303 112	
1250 298 907	198.417	CEI 198417	0030 56	1250 303 055	<i>See</i>	1250 303 111	
1250 298 907	<i>See</i>	1250 298 906		1250 303 056	<i>143.035</i>	343 263 0114	0020 42
1250 298 910	198.418	CEI 198418	0010 24	1250 303 056	<i>143.035</i>	343 263 0114	0030 45
1250 298 910	198.418	CEI 198418	0020 50	1250 303 056	<i>143.035</i>	343 263 0114	0030 45
1250 298 910	198.418	CEI 198418	0030 57	1250 303 058	<i>146.099</i>	336 263 0115	0020 41
1250 302 186	<i>102.367</i>		0030 2	1250 303 058	<i>146.099</i>	336 263 0115	0030 44
1250 302 187	<i>102.363</i>		0020 2	1250 303 060	<i>146.593</i>		0020 41
1250 302 187	<i>102.363</i>		0030 2	1250 303 060	<i>146.593</i>		0030 44

All original equipment manufacturers numbers, symbols, pictures, models and description used in this catalogue are for reference only, and it is not implied that any part listed is the product of these manufacturers. Tutti i nostri particolari non sono originali ma con essi intercambiabili. I riferimenti originali, le figure, i modelli sono esposti a semplice titolo indicativo. La nostra produzione riporta il nostro marchio.

ZF Index

ZF no.	CEI no.	MB no.	Tav.	Fig.	ZF no.	CEI no.	MB no.	Tav.	Fig.
1250 303 061	See	1250 303 115			1250 304 107	155.075	343 262 0145	0020	36
1250 303 062	143.037	366 263 0114	0020	42	1250 304 107	155.075	343 262 0145	0030	39
1250 303 062	143.037	366 263 0114	0030	45	1250 304 107	155.075	343 262 0145	0050	36
1250 303 073	See	1250 303 074			1250 304 107	155.075	343 262 0145	0060	39
1250 303 074	146.104	366 263 0015	0020	41	1250 304 123	See	1250 304 173		
1250 303 074	146.104	366 263 0015	0030	44	1250 304 127	145.203	343 262 0115	0020	10
1250 303 075	See	1250 303 062			1250 304 129	103.076	343 262 0105	0020	22
1250 303 084	143.087	000 263 0414	0030	45	1250 304 129	103.076	343 262 0105	0030	25
1250 303 088	146.597		0030	44	1250 304 129	103.076	343 262 0105	0050	22
1250 303 094	146.352	000 263 0515	0030	44	1250 304 129	103.076	343 262 0105	0060	25
1250 303 099	See	1250 203 002			1250 304 129	103.076	343 262 0105	0060	25
1250 303 111	146.098	000 263 1610	0020	40	1250 304 135	145.849		0030	14
1250 303 111	146.098	000 263 1610	0030	43	1250 304 137	See	1250 304 384		
1250 303 111	146.098	000 263 1610	0030	44	1250 304 140	147.066	343 262 0211	0020	34
1250 303 112	146.103	000 263 1710	0020	40	1250 304 140	147.066	343 262 0211	0030	37
1250 303 112	146.103	000 263 1710	0030	43	1250 304 141	154.099	343 262 0323	0020	6
1250 303 113	146.592	000 263 1810	0020	40	1250 304 141	154.099	343 262 0323	0050	6
1250 303 113	146.592	000 263 1810	0030	43	1250 304 142	117.100	343 262 0250	0020	12
1250 303 114	146.351	000 263 1310	0030	43	1250 304 142	117.100	343 262 0250	0030	16
1250 303 115	146.237		0030	43	1250 304 142	117.100	343 262 0250	0050	12
1250 303 116	146.591		0020	40	1250 304 142	117.100	343 262 0250	0060	16
1250 303 116	146.591		0030	43	1250 304 142	117.100	343 262 0250	0060	16
1250 303 136	143.127		0030	45	1250 304 160	See	1257 304 020		
1250 303 137	146.596		0030	44	1250 304 166	See	1250 304 396		
1250 303 138	146.594		0030	43	1250 304 172	145.842		0020	13
1250 303 154	146.595		0030	43	1250 304 172	145.842		0030	17
1250 303 159	143.128		0030	45	1250 304 173	145.843		0020	20
1250 304 004	154.058	343 262 0023	0020	26	1250 304 173	145.843		0030	23
1250 304 006	109.030	343 262 0036	0020	31	1250 304 178	145.198	343 262 0114	0020	13
1250 304 006	109.030	343 262 0036	0030	34	1250 304 178	145.198	343 262 0114	0020	13
1250 304 006	109.030	343 262 0036	0050	31	1250 304 178	145.198	343 262 0114	0030	17
1250 304 006	109.030	343 262 0036	0060	34	1250 304 178	145.198	343 262 0114	0030	17
1250 304 008	See	1250 304 179			1250 304 178	145.198	343 262 0114	0030	17
1250 304 028	See	1250 304 240			1250 304 179	145.199	343 262 0113	0020	20
1250 304 029	145.200	343 262 0012	0020	24	1250 304 179	145.199	343 262 0113	0020	20
1250 304 029	145.200	343 262 0012	0020	24	1250 304 179	145.199	343 262 0113	0030	23
1250 304 029	145.200	343 262 0012	0030	27	1250 304 179	145.199	343 262 0113	0030	23
1250 304 030	See	1250 304 235			1250 304 185	155.076	343 262 0427	0020	7
1250 304 042	See	1250 304 140			1250 304 185	155.076	343 262 0427	0020	7
1250 304 052	See	1250 304 217			1250 304 185	155.076	343 262 0427	0050	7
1250 304 070	See	1250 304 178			1250 304 185	155.076	343 262 0427	0070/A	7
1250 304 101	See	1250 304 350			1250 304 185	155.076	343 262 0427	0070/A	7
1250 304 102	See	1250 304 401			1250 304 210	145.216	366 262 0115	0020	10
					1250 304 210	145.216	366 262 0115	0020	10

All original equipment manufacturers' numbers, symbols, pictures, models and description used in this catalogue are for reference only, and it is not implied that any part listed is the product of these manufactures. Tutti i nostri particolari non sono originali ma con essi intercambiabili. I riferimenti originali, le figure, i modelli sono esposti a semplice titolo indicativo. La nostra produzione riporta il nostro marchio.

Date

05 / 2006

Table

Index

ZF no.	CEI no.	MB no.	Tav. Fig.	ZF no.	CEI no.	MB no.	Tav. Fig.
1250 304 214	See	1250 304 227		1250 304 292	109.031	336 262 0240	0060 10
1250 304 217	145.217	366 262 0114	0020 13	1250 304 292	109.031	336 262 0240	0060 10
1250 304 217	145.217	366 262 0114	0020 13	1250 304 292	109.031	336 262 0240	0070/B 7
1250 304 217	145.217	366 262 0114	0030 17	1250 304 293	See	1272 304 077	
1250 304 226	119.054	336 262 0734	0030 6	1250 304 299	<i>145.848</i>		0030 14
1250 304 226	119.054	336 262 0734	0030 20	1250 304 305	145.421	000 262 0615	0030 14
1250 304 226	119.054	336 262 0734	0060 6	1250 304 306	154.057	343 262 0423	0020 15
1250 304 226	119.054	336 262 0734	0060 20	1250 304 312	See	1250 304 351	
1250 304 226	119.054	336 262 0734	0070/B 8	1250 304 315	See	1250 304 226	
1250 304 226	119.054	336 262 0734	0070/B 21	1250 304 350	109.029	000 262 0240	0030 28
1250 304 226	119.054	336 262 0734	0080/C 9	1250 304 350	109.029	000 262 0240	0060 28
1250 304 226	119.054	336 262 0734	0080/C 22	1250 304 351	109.022	000 262 0340	0030 19
1250 304 226	119.054	336 262 0734	0090/B 9	1250 304 351	109.022	000 262 0340	0060 19
1250 304 226	119.054	336 262 0734	0090/B 22	1250 304 351	109.022	000 262 0340	0070/B 20
1250 304 227	<i>119.068</i>	336 262 0634	0030 29	1250 304 351	109.022	000 262 0340	0080/C 21
1250 304 227	<i>119.068</i>	336 262 0634	0060 29	1250 304 351	109.022	000 262 0340	0090/B 21
1250 304 229	See	1272 304 078		1250 304 352	See	1250 304 292	
1250 304 233	154.056	000 262 1023	0020 15	1250 304 362	154.053	000 262 2323	0020 6
1250 304 233	154.056	000 262 1023	0020 15	1250 304 362	154.053	000 262 2323	0020 6
1250 304 233	154.056	000 262 1023	0050 15	1250 304 362	154.053	000 262 2323	0050 6
1250 304 233	154.056	000 262 1023	0050 15	1250 304 362	154.053	000 262 2323	0050 6
1250 304 233	154.056	000 262 1023	0070/A 16	1250 304 362	154.053	000 262 2323	0070/A 8
1250 304 233	154.056	000 262 1023	0070/A 25	1250 304 384	<i>145.197</i>	000 262 1515	0020 10
1250 304 233	154.056	000 262 1023	0070/B 30	1250 304 384	<i>145.197</i>	000 262 1515	0020 10
1250 304 233	154.056	000 262 1023	0080/B 25	1250 304 388	<i>103.040</i>	000 262 1405	0020 22
1250 304 233	154.056	000 262 1023	0080/C 31	1250 304 388	<i>103.040</i>	000 262 1405	0030 25
1250 304 234	155.077	343 262 0527	0020 16	1250 304 388	<i>103.040</i>	000 262 1405	0050 22
1250 304 234	155.077	343 262 0527	0020 16	1250 304 388	<i>103.040</i>	000 262 1405	0060 25
1250 304 234	155.077	343 262 0527	0050 16	1250 304 388	<i>103.040</i>	000 262 1405	0060 25
1250 304 234	155.077	343 262 0527	0050 16	1250 304 389	See	1272 304 136	
1250 304 234	155.077	343 262 0527	0070/A 15	1250 304 391	<i>119.164</i>	000 262 1634	0030 29
1250 304 235	155.078	000 262 1527	0020 25	1250 304 391	<i>119.164</i>	000 262 1634	0060 29
1250 304 235	155.078	000 262 1527	0020 25	1250 304 396	155.061	000 262 3035	0030 21
1250 304 236	154.054	000 262 1123	0020 26	1250 304 396	155.061	000 262 3035	0060 21
1250 304 236	154.054	000 262 1123	0020 26	1250 304 398	<i>145.853</i>		0030 23
1250 304 236	154.054	000 262 1123	0050 26	1250 304 399	<i>145.850</i>		0030 17
1250 304 236	154.054	000 262 1123	0050 26	1250 304 400	<i>145.845</i>		0030 14
1250 304 240	<i>145.201</i>	336 262 0011	0020 30	1250 304 401	<i>155.062</i>	000 262 2935	0030 30
1250 304 240	<i>145.201</i>	336 262 0011	0020 30	1250 304 404	<i>145.841</i>		0020 10
1250 304 240	<i>145.201</i>	336 262 0011	0030 33	1250 304 404	<i>145.841</i>		0030 14
1250 304 256	<i>145.440</i>	000 262 0414	0030 17	1250 304 417	119.080	000 262 1934	0010 6
1250 304 257	145.422	000 262 0413	0030 23	1250 304 417	119.080	000 262 1934	0040 6
1250 304 292	109.031	336 262 0240	0030 10	1250 304 417	119.080	000 262 1934	0080/A 9

All original equipment manufacturers numbers, symbols, pictures, models and description used in this catalogue are for reference only, and it is not implied that any part listed is the product of these manufacturers.
Tutti i nostri particolari non sono originali ma con essi intercambiabili. I riferimenti originali, le figure, i modelli sono esposti a semplice titolo indicativo. La nostra produzione riporta il nostro marchio.

ZF Index

ZF no.	CEI no.	MB no.	Tav.	Fig.	ZF no.	CEI no.	MB no.	Tav.	Fig.
1250 304 417	119.080	000 262 1934	0090/A	9	1250 305 007	See	1250 305 033		
1250 304 440	154.100	000 262 3723	0020	6	1250 305 033	147.065	000 263 2631	0020	45
1250 304 440	154.100	000 262 3723	0050	6	1250 305 033	147.065	000 263 2631	0030	52
1250 304 440	154.100	000 262 3723	0070/A	8	1250 306 148	See	1272 334 003		
1250 304 441	154.101	000 262 3823	0020	15	1250 312 077			0010	4
1250 304 441	154.101	000 262 3823	0050	15	1250 312 083			0010	4
1250 304 441	154.101	000 262 3823	0070/A	16	1250 312 086	See	1250 312 323		
1250 304 443	145.852		0030	23	1250 312 087	See	1250 312 366		
1250 304 444	145.851		0030	17	1250 312 088	See	1250 312 364		
1250 304 446			0020	30	1250 312 124			0010	15
1250 304 448			0020	24	1250 312 126	105.040	366 264 0105	0010	15
1250 304 451			0020	25	1250 312 130	105.041	336 264 0205	0010	15
1250 304 453			0020	20	1250 312 159	See	1250 312 270		
1250 304 454	155.226	000 262 2427	0020	16	1250 312 161	146.123	366 262 0310	0010	4
1250 304 454	155.226	000 262 2427	0050	16	1250 312 171	102.165	336 264 0106	0010	2
1250 304 461			0020	10	1250 312 171	102.165	336 264 0106	0040	2
1250 304 472	119.055		0030	29	1250 312 172			0010	2
1250 304 472	119.055		0060	29	1250 312 172			0040	2
1250 304 473	103.048	000 262 2305	0020	22	1250 312 220	See	1250 312 291		
1250 304 473	103.048	000 262 2305	0030	25	1250 312 239	See	1250 312 270		
1250 304 473	103.048	000 262 2305	0050	22	1250 312 247	103.049	000 264 1706	0010	2
1250 304 473	103.048	000 262 2305	0060	25	1250 312 247	103.049	000 264 1706	0040	2
1250 304 473	103.048	000 262 2305	0060	25	1250 312 266			0010	17
1250 304 474	103.041	000 262 2405	0020	22	1250 312 270	146.124	000 262 1510	0010	17
1250 304 474	103.041	000 262 2405	0030	25	1250 312 271			0010	17
1250 304 474	103.041	000 262 2405	0050	22	1250 312 291	102.145		0010	2
1250 304 474	103.041	000 262 2405	0060	25	1250 312 291	102.145		0040	2
1250 304 474	103.041	000 262 2405	0060	25	1250 312 308			0010	15
1250 304 487			0020	13	1250 312 323	155.090	000 262 3635	0010	7
1250 304 488			0020	13	1250 312 323	155.090	000 262 3635	0040	7
1250 304 490			0020	10	1250 312 323	155.090	000 262 3635	0080/A	11
1250 304 502	145.846	000 262 4015	0030	14	1250 312 323	155.090	000 262 3635	0090/A	11
1250 304 513	145.847		0030	14	1250 312 364	109.038	000 264 0746	0010	12
1250 304 514	145.844		0030	14	1250 312 364	109.038	000 264 0746	0040	12
1250 305 003	107.072	343 263 0030	0020	48	1250 312 364	109.038	000 264 0746	0080/A	16
1250 305 003	107.072	343 263 0030	0030	51	1250 312 364	109.038	000 264 0746	0090/A	16
1250 305 003	107.072	343 263 0030	0050	48	1250 312 366	109.037	000 264 0846	0010	5
1250 305 003	107.072	343 263 0030	0060	51	1250 312 366	109.037	000 264 0846	0040	5
1250 305 004	See	1250 305 033			1250 312 366	109.037	000 264 0846	0080/A	8
1250 305 006	169.443	000 263 0650	0020	47	1250 312 366	109.037	000 264 0846	0090/A	8
1250 305 006	169.443	000 263 0650	0030	50	1257 304 020	154.051	336 262 0023	0030	31
1250 305 006	169.443	000 263 0650	0050	47	1257 304 020	154.051	336 262 0023	0060	31
1250 305 006	169.443	000 263 0650	0060	50	1257 304 021	See	1240 304 375		

All original equipment manufacturers numbers, symbols, pictures, models and description used in this catalogue are for reference only, and it is not implied that any part listed is the product of these manufacturers. Tutti i nostri particolari non sono originali ma con essi intercambiabili. I riferimenti originali, le figure, i modelli sono esposti a semplice titolo indicativo. La nostra produzione riporta il nostro marchio.

Date

05 / 2006

Table

Index

ZF no.	CEI no.	MB no.	Tav. Fig.	ZF no.	CEI no.	MB no.	Tav. Fig.
1262 304 036	154.117	000 262 5723	0005 7	1268 302 109	<i>102.374</i>		0060 2
1268 202 009	<i>102.376</i>		0060 2	1268 302 110	<i>102.377</i>		0060 2
1268 203 001	<i>105.042</i>	000 260 0124	0050 43	1268 302 124	<i>102.370</i>		0050 2
1268 203 001	<i>105.042</i>	000 260 0124	0060 46	1268 302 126	102.220	001 262 1202	0050 2
1268 203 055	<i>See</i>	1268 203 001		1268 302 127	<i>102.379</i>	001 262 2302	0060 2
1268 203 061	<i>105.190</i>		0060 46	1268 302 132	<i>102.155</i>	000 262 4702	0050 2
1268 204 003	<i>See</i>	1268 304 213		1268 302 132	<i>102.155</i>	000 262 4702	0060 2
1268 204 006	<i>See</i>	1268 304 213		1268 302 164	102.181	001 262 4302	0060 2
1268 204 018	<i>See</i>	1268 304 213		1268 302 167	<i>102.380</i>		0060 2
1268 298 903	198.419		0040 23	1268 303 003	<i>See</i>	1268 303 056	
1268 298 903	198.419		0050 49	1268 303 004	146.106	000 263 0815	0050 41
1268 298 903	198.419		0060 56	1268 303 004	146.106	000 263 0815	0060 44
1268 298 904	198.420	CEI 198420	0040 24	1268 303 005	143.039	000 263 0713	0050 42
1268 298 904	198.420	CEI 198420	0050 50	1268 303 005	143.039	000 263 0713	0060 45
1268 298 904	198.420	CEI 198420	0060 57	1268 303 006	143.038	000 263 0613	0050 42
1268 298 938	198.339	CEI 198339	0010 20	1268 303 006	143.038	000 263 0613	0060 45
1268 298 938	198.339	CEI 198339	0030 53	1268 303 007	146.208		0050 41
1268 298 938	198.339	CEI 198339	0040 20	1268 303 007	146.208		0060 44
1268 298 938	198.339	CEI 198339	0060 53	1268 303 008	<i>See</i>	1268 303 057	
1268 298 938	198.339	CEI 198339	0070/B 52	1268 303 009	<i>See</i>	1268 303 059	
1268 298 938	198.339	CEI 198339	0080/A 23	1268 303 010	<i>146.599</i>		0050 41
1268 298 938	198.339	CEI 198339	0080/C 50	1268 303 010	<i>146.599</i>		0060 44
1268 298 938	198.339	CEI 198339	0090/A 23	1268 303 011	<i>143.129</i>		0050 42
1268 298 938	198.339	CEI 198339	0090/B 50	1268 303 011	<i>143.129</i>		0060 45
1268 302 001	102.079	000 262 1302	0050 2	1268 303 012	146.105	000 263 0715	0050 41
1268 302 001	102.079	000 262 1302	0060 2	1268 303 012	146.105	000 263 0715	0060 44
1268 302 007	<i>See</i>	1268 302 047		1268 303 031	<i>See</i>	1268 303 058	
1268 302 015	<i>See</i>	1268 302 132		1268 303 032	<i>See</i>	1268 203 001	
1268 302 042	102.078	000 262 1202	0050 2	1268 303 038	<i>146.607</i>	000 263 1315	0060 44
1268 302 042	102.078	000 262 1202	0060 2	1268 303 039	<i>143.133</i>	000 263 1113	0060 45
1268 302 044	<i>102.369</i>		0050 2	1268 303 056	146.107	000 263 1510	0050 40
1268 302 047	102.199	000 262 2602	0050 2	1268 303 056	146.107	000 263 1510	0060 43
1268 302 047	102.199	000 262 2602	0060 2	1268 303 057	146.108	000 263 1410	0050 40
1268 302 048	<i>102.371</i>		0050 2	1268 303 057	146.108	000 263 1410	0060 43
1268 302 048	<i>102.371</i>		0060 2	1268 303 058	<i>146.602</i>	000 263 2310	0060 43
1268 302 049	<i>102.372</i>		0050 2	1268 303 059	<i>146.598</i>		0050 40
1268 302 049	<i>102.372</i>		0060 2	1268 303 059	<i>146.598</i>		0060 43
1268 302 079	<i>102.383</i>		0060 2	1268 303 072	<i>143.134</i>		0060 45
1268 302 094	<i>102.375</i>		0060 2	1268 303 073	<i>146.608</i>		0060 44
1268 302 095	<i>102.378</i>		0060 2	1268 303 074	<i>146.603</i>		0060 43
1268 302 098	<i>102.373</i>		0050 2	1268 303 078	<i>See</i>	1268 203 001	
1268 302 104	<i>102.185</i>	000 262 9902	0050 2	1268 303 084	<i>146.601</i>		0060 43
1268 302 104	<i>102.185</i>	000 262 9902	0060 2	1268 303 085	<i>146.606</i>		0060 44

All original equipment manufacturers numbers, symbols, pictures, models and description used in this catalogue are for reference only, and it is not implied that any part listed is the product of these manufactures.
Tutti i nostri particolari non sono originali ma con essi intercambiabili. I riferimenti originali, le figure, i modelli sono esposti a semplice titolo indicativo. La nostra produzione riporta il nostro marchio.

ZF Index

ZF no.	CEI no.	MB no.	Tav. Fig.	ZF no.	CEI no.	MB no.	Tav. Fig.
1268 303 086	143.132		0060 45	1268 304 136	155.102	000 262 0745	0050 36
1268 303 093	146.281	000 263 2910	0060 43	1268 304 136	155.102	000 262 0745	0060 39
1268 303 094	146.604		0060 44	1268 304 141	117.238	000 262 1150	0060 16
1268 303 095	143.130		0060 45	1268 304 142	109.127	000 262 0740	0060 5
1268 303 096	146.280	000 263 1815	0060 44	1268 304 142	109.127	000 262 0740	0060 5
1268 303 097	143.073	000 263 2013	0060 45	1268 304 143	155.178	000 262 1835	0060 8
1268 304 001	See	1268 304 256		1268 304 148	197.067	000 264 1445	0020 36
1268 304 002	See	1268 304 204		1268 304 148	197.067	000 264 1445	0050 36
1268 304 003	145.215	000 262 0613	0050 20	1268 304 148	197.067	000 264 1445	0060 39
1268 304 003	145.215	000 262 0613	0050 20	1268 304 150	155.091	000 262 3135	0060 30
1268 304 003	145.215	000 262 0613	0060 23	1268 304 159	See	1268 304 213	
1268 304 004	145.214	000 262 0714	0050 13	1268 304 166	145.881		0060 23
1268 304 004	145.214	000 262 0714	0050 13	1268 304 167	145.876		0060 17
1268 304 004	145.214	000 262 0714	0060 17	1268 304 168	145.872		0060 14
1268 304 005	145.213	000 262 0915	0050 10	1268 304 198	109.398		0060 10
1268 304 005	145.213	000 262 0915	0050 10	1268 304 204	145.211	000 262 2112	0050 24
1268 304 006	155.081	000 262 0827	0050 25	1268 304 204	145.211	000 262 2112	0050 24
1268 304 006	155.081	000 262 0827	0050 25	1268 304 204	145.211	000 262 2112	0060 27
1268 304 007	See	1268 304 150		1268 304 213	145.212	000 262 4611	0050 30
1268 304 008	147.072	000 262 1111	0050 34	1268 304 213	145.212	000 262 4611	0050 30
1268 304 008	147.072	000 262 1111	0060 37	1268 304 227	See	1268 304 256	
1268 304 009	145.210	000 262 0513	0050 20	1268 304 229	145.869		0060 14
1268 304 009	145.210	000 262 0513	0050 20	1268 304 230	145.439		0060 17
1268 304 009	145.210	000 262 0513	0060 23	1268 304 231	145.879		0060 23
1268 304 010	145.208	000 262 0614	0050 13	1268 304 235	145.862	000 262 5113	0050 20
1268 304 010	145.208	000 262 0614	0050 13	1268 304 237	145.859	000 262 3514	0050 13
1268 304 010	145.208	000 262 0614	0060 17	1268 304 244	145.863	000 262 4312	0050 24
1268 304 011	See	1268 304 094		1268 304 245	145.864	000 262 7411	0050 30
1268 304 012	145.854		0050 10	1268 304 246	155.227	000 262 2327	0050 25
1268 304 013	145.857		0050 13	1268 304 247	145.492		0060 14
1268 304 013	145.857		0060 17	1268 304 247	145.492		0060 14
1268 304 014	145.860		0050 20	1268 304 248	145.873		0060 17
1268 304 014	145.860		0060 23	1268 304 249	145.877		0060 23
1268 304 015	145.209	000 262 0815	0050 10	1268 304 250	145.493		0060 14
1268 304 015	145.209	000 262 0815	0060 14	1268 304 250	See	67967	
1268 304 018	145.880	000 262 1113	0060 23	1268 304 251	145.356	000 262 2915	0060 17
1268 304 040	145.871		0060 14	1268 304 252	145.357	000 262 2713	0060 23
1268 304 041	145.875	000 262 1314	0060 17	1268 304 256	146.125	000 262 4111	0060 33
1268 304 094	145.274		0050 10	1268 304 262	145.856	000 262 3515	0050 10
1268 304 094	145.274		0050 10	1268 304 267	145.861		0050 20
1268 304 130	See	0735 320 411		1268 304 268	145.858		0050 13
1268 304 136	155.102	000 262 0745	0020 36	1268 304 269	145.855		0050 10
1268 304 136	155.102	000 262 0745	0030 39	1268 304 273	145.882		0060 27

All original equipment manufacturers' numbers, symbols, pictures, models and description used in this catalogue are for reference only, and it is not implied that any part listed is the product of these manufactures. Tutti i nostri particolari non sono originali ma con essi intercambiabili. I riferimenti originali, le figure, i modelli sono esposti a semplice titolo indicativo. La nostra produzione riporta il nostro marchio.

Date

05 / 2006

Table

Index

ZF no.	CEI no.	MB no.	Tav. Fig.	ZF no.	CEI no.	MB no.	Tav. Fig.
1268 304 274	103.107	000 262 3305	0060 25	1269 202 913	190.185	000 260 1120	0080/C 3
1268 304 287	145.867		0060 14	1269 212 006	190.150	000 260 0920	0080/A 3
1268 304 290	See	1268 304 015		1269 212 006	190.150	000 260 0920	0090/A 3
1268 304 292	145.866		0060 14	1269 212 013	102.384	000 260 1020	0080/A 5
1268 304 372	145.868		0060 14	1269 212 901	See	1269 298 909	
1268 304 373	145.870		0060 14	1269 232 019	See	1269 232 041	
1268 304 535	145.438		0060 14	1269 232 034	See	1269 232 037	
1268 304 536	145.360	000 262 4515	0060 14	1269 232 037	190.403	000 260 2861	0080/D 2
1268 304 537	109.126	000 262 3640	0060 5	1269 232 037	190.403	000 260 2861	0090/C 2
1268 304 538	109.111	000 262 3740	0060 10	1269 232 041	190.402	000 260 3961	0080/D 1
1268 305 001	See	1268 305 009		1269 232 041	190.402	000 260 3961	0090/C 1
1268 305 003	See	1268 305 009		1269 233 002	See	1269 233 010	
1268 305 009	147.071	343 263 0062	0050 45	1269 233 009	See	1269 233 010	
1268 305 009	147.071	343 263 0062	0060 52	1269 233 010	135.060	000 262 2037	0080/D 17
1268 305 092	See	1269 304 003		1269 233 010	135.060	000 262 2037	0090/C 17
1268 312 003	146.162	000 262 0110	0040 4	1269 233 012	135.111	000 262 3340	0080/D 17
1268 312 005	See	1268 312 124		1269 233 012	135.111	000 262 3340	0090/C 17
1268 312 009	102.102	000 264 0805	0040 15	1269 237 012	190.405	000 260 0861	0080/D 34
1268 312 010	146.392	000 262 0210	0040 4	1269 237 012	190.405	000 260 0861	0090/C 35
1268 312 013	See	1250 312 247		1269 237 013	190.404	000 260 0761	0080/D 34
1268 312 024	See	1268 312 051		1269 237 902			0090/C 37
1268 312 025	See	1268 312 052		1269 238 015	197.137	000 260 0817	0070/C 45
1268 312 051	146.166	000 262 1310	0040 17	1269 238 015	197.137	000 260 0817	0080/D 38
1268 312 052	146.304	000 262 1410	0040 17	1269 238 015	197.137	000 260 0817	0090/C 43
1268 312 055	146.163	000 262 1810	0040 17	1269 298 902	102.385		0080/B 3
1268 312 057	141.146	000 264 0749	0010 19	1269 298 902	102.385		0080/C 3
1268 312 057	141.146	000 264 0749	0040 19	1269 298 908	102.129	000 262 6602	0080/B 3
1268 312 113	102.198	000 264 3706	0040 2	1269 298 908	102.129	000 262 6602	0080/C 3
1268 312 124	102.083	000 264 0705	0040 15	1269 298 909	190.151	000 264 2205	0080/A 19
1268 312 128	102.228		0040 2	1269 298 909	190.151	000 264 2205	0090/A 19
1268 312 139	105.098		0040 15	1269 298 928	198.421	CEI 198421	0080/A 26
1268 312 142	105.097		0040 15	1269 298 928	198.421	CEI 198421	0080/B 42
1269 202 027	See	1269 202 104		1269 298 928	198.421	CEI 198421	0080/C 53
1269 202 087	See	1295 202 041		1269 298 928	198.421	CEI 198421	0090/A 26
1269 202 104	280.303	000 260 1090	0070/A 1	1269 298 928	198.421	CEI 198421	0090/B 53
1269 202 104	280.303	000 260 1090	0070/B 1	1269 298 933	198.422	CEI 198422	0080/A 27
1269 202 104	280.303	000 260 1090	0080/A 1	1269 298 933	198.422	CEI 198422	0080/B 43
1269 202 104	280.303	000 260 1090	0080/B 1	1269 298 933	198.422	CEI 198422	0080/C 54
1269 202 104	280.303	000 260 1090	0080/C 1	1269 298 933	198.422	CEI 198422	0090/A 27
1269 202 104	280.303	000 260 1090	0090/A 1	1269 298 933	198.422	CEI 198422	0090/B 54
1269 202 104	280.303	000 260 1090	0090/B 1	1269 298 938	102.135	000 260 1720	0080/B 3
1269 202 909	See	1269 202 913		1269 298 938	102.135	000 260 1720	0080/C 2
1269 202 913	190.185	000 260 1120	0080/B 3	1269 298 938	102.135	000 260 1720	0090/B 3

Date

05 / 2006

Table

Index

All original equipment manufacturers numbers, symbols, pictures, models and description used in this catalogue are for reference only, and it is not implied that any part listed is the product of these manufacturers. Tutti i nostri particolari non sono originali ma con essi intercambiabili. I riferimenti originali, le figure, i modelli sono esposti a semplice titolo indicativo. La nostra produzione riporta il nostro marchio.

ZF Index

ZF no.	CEI no.	MB no.	Tav. Fig.	ZF no.	CEI no.	MB no.	Tav. Fig.
1269 298 939	102.386		0080/B 5	1269 304 060	103.194	000 262 1005	0080/C 27
1269 298 939	102.386		0080/C 5	1269 304 061	103.065	000 262 0905	0080/B 21
1269 298 939	102.386		0090/B 5	1269 304 061	103.065	000 262 0905	0080/C 27
1269 298 942	190.198	000 260 1820	0090/B 3	1269 304 068	145.247	000 262 1511	0080/B 28
1269 298 951			0080/A 22	1269 304 068	145.247	000 262 1511	0080/C 34
1269 298 951			0090/A 22	1269 304 069	154.090	000 262 1523	0080/B 8
1269 298 957	See	1269 298 958		1269 304 070	188.212	000 262 2362	0080/B 32
1269 298 958	198.414	000 262 0606	0080/D 9	1269 304 070	188.212	000 262 2362	0080/C 39
1269 298 958	198.414	000 262 0606	0090/C 9	1269 304 070	188.212	000 262 2362	0090/B 39
1269 298 960	298.034	000 262 0806	0080/D 35	1269 304 071	157.081	000 262 0927	0080/B 24
1269 298 962	298.035	000 262 1006	0080/D 35	1269 304 071	157.081	000 262 0927	0080/C 30
1269 298 966	298.036	002 981 2581	0080/D 39	1269 304 072	145.246	000 262 1411	0080/B 23
1269 298 966	298.036	002 981 2581	0090/C 44	1269 304 072	145.246	000 262 1411	0080/C 29
1269 298 978	198.757		0070/C 31	1269 304 128	157.079	000 262 2735	0080/C 11
1269 298 979	198.515		0080/D 30B	1269 304 129	157.080	000 262 2635	0080/C 23
1269 298 979	198.515		0090/C 30B	1269 304 131	145.244	000 262 1112	0080/B 13
1269 298 980	198.717		0080/D 30C	1269 304 131	145.244	000 262 1112	0080/C 19
1269 298 980	198.717		0090/C 30C	1269 304 132	145.245	000 262 2511	0080/B 20
1269 302 094	See	1269 202 913		1269 304 132	145.245	000 262 2511	0080/C 25
1269 302 153	See	1269 202 913		1269 304 137	109.021	000 262 1736	0060 10
1269 302 166	See	1269 298 902		1269 304 137	109.021	000 262 1736	0060 10
1269 302 230	See	1269 298 938		1269 304 137	109.021	000 262 1736	0080/C 8
1269 303 005	See	1269 303 053		1269 304 139	145.243	000 262 1513	0080/B 10
1269 303 006	143.054	000 263 0413	0080/B 36	1269 304 139	145.243	000 262 1513	0080/C 16
1269 303 006	143.054	000 263 0413	0080/C 44	1269 304 196	109.078	000 262 1240	0090/B 8
1269 303 040	See	1269 303 041		1269 304 197	117.231	000 262 1750	0090/B 18
1269 303 041	105.056	000 263 1302	0080/B 37	1269 305 003	107.088	000 263 0530	0070/A 44
1269 303 041	105.056	000 263 1302	0080/C 45	1269 305 003	107.088	000 263 0530	0070/B 51
1269 303 053	143.053	000 263 0914	0080/B 35	1269 305 003	107.088	000 263 0530	0080/B 41
1269 303 053	143.053	000 263 0914	0080/C 43	1269 305 003	107.088	000 263 0530	0080/C 49
1269 304 003	117.153	000 262 0350	0080/B 12	1269 305 003	107.088	000 263 0530	0090/B 49
1269 304 003	117.153	000 262 0350	0080/C 18	1269 305 004	See	1269 305 005	
1269 304 004	117.154	000 262 0450	0080/C 36	1269 305 005	147.084	000 263 1031	0080/B 40
1269 304 006	See	1269 304 131		1269 305 005	147.084	000 263 1031	0080/C 48
1269 304 011	See	1269 304 128		1269 312 005	145.255	000 262 1710	0080/A 7
1269 304 013	See	1269 304 129		1269 312 005	145.255	000 262 1710	0090/A 7
1269 304 016	155.136	000 262 1027	0080/B 15	1269 312 010	See	1269 212 006	
1269 304 017	154.095	000 262 1423	0080/B 16	1269 312 017	See	1269 298 909	
1269 304 018	157.101	000 262 1127	0080/B 7	1269 312 023	See	1269 212 013	
1269 304 021	See	1269 304 132		1269 312 025	See	1269 312 049	
1269 304 023	See	1269 304 137		1269 312 049	146.186	000 263 5110	0080/A 21
1269 304 055	See	1286 304 022		1269 312 049	146.186	000 263 5110	0090/A 21
1269 304 060	103.194	000 262 1005	0080/B 21	1269 312 050	See	1269 312 049	

All original equipment manufacturers' numbers, symbols, pictures, models and description used in this catalogue are for reference only, and it is not implied that any part listed is the product of these manufactures. Tutti i nostri particolari non sono originali ma con essi intercambiabili. I riferimenti originali, le figure, i modelli sono esposti a semplice titolo indicativo. La nostra produzione riporta il nostro marchio.

Date

05 / **2006**

Table

Index

ZF no.	CEI no.	MB no.	Tav. Fig.	ZF no.	CEI no.	MB no.	Tav. Fig.
1269 312 052	See	1269 298 909		1269 336 027	107.209	000 264 3018	0090/C 46
1269 321 048	See	1269 298 908		1269 337 036		000 264 2018	0090/C 39
1269 321 074	See	1269 298 908		1269 338 020	155.113	000 264 0945	0050 36
1269 328 234	160.126	000 263 0140	0080/D 22	1269 338 020	155.113	000 264 0945	0060 39
1269 328 234	160.126	000 263 0140	0090/C 22	1269 338 020	155.113	000 264 0945	0080/D 26
1269 328 245	See	1269 328 254		1269 338 020	155.113	000 264 0945	0090/C 26
1269 328 253	See	1269 328 234		1269 338 026	155.167		0080/D 26
1269 328 254	119.041	000 262 0734	0080/D 18	1269 338 026	155.167		0090/C 26
1269 328 254	119.041	000 262 0734	0090/C 18	1269 338 028	155.132	000 264 0845	0030 39
1269 328 289	119.079	000 262 2234	0080/D 18	1269 338 028	155.132	000 264 0845	0050 36
1269 328 289	119.079	000 262 2234	0090/C 18	1269 338 028	155.132	000 264 0845	0060 39
1269 328 291	119.103	000 262 3534	0080/D 18	1269 338 028	155.132	000 264 0845	0080/D 26
1269 328 291	119.103	000 262 3534	0090/C 18	1269 338 028	155.132	000 264 0845	0090/C 26
1269 332 020	123.145	000 264 1721	0080/D 16	1269 338 035	197.139	000 262 3002	0080/D 37
1269 332 020	123.145	000 264 1721	0090/C 16	1269 338 035	197.139	000 262 3002	0090/C 42
1269 332 025	See	1269 332 036		1269 339 003	154.369	000 262 1323	0080/D 32
1269 332 036	107.089	000 264 1618	0080/D 3	1269 339 003	154.369	000 262 1323	0090/C 33
1269 332 036	107.089	000 264 1618	0090/C 3	1269 339 015	157.705	000 262 1210	0080/D 36
1269 332 050	107.208	000 264 2918	0080/D 3	1269 339 024	101.142	000 262 5802	0080/D 31
1269 332 050	107.208	000 264 2918	0090/C 3	1269 339 025	101.143	000 262 5902	0080/D 31
1269 332 054	150.113	000 262 0325	0080/D 14	1269 339 025	101.143	000 262 5902	0090/C 32
1269 332 054	150.113	000 262 0325	0090/C 14	1269 339 048	197.138	000 260 0717	0070/C 32
1269 332 055	123.163	000 264 2821	0080/D 13	1269 339 048	197.138	000 260 0717	0080/D 42
1269 332 055	123.163	000 264 2821	0090/C 13	1269 339 048	197.138	000 260 0717	0090/C 31
1269 333 011	See	1269 333 048		1272 232 011	See	1272 232 014	
1269 333 017	See	1269 333 057		1272 232 014	190.399	000 260 1661	0070/C 2
1269 333 018	See	1269 333 047		1272 237 007	190.401	000 260 1061	0070/C 36
1269 333 024	See	1269 333 047		1272 237 008	190.400	000 260 1161	0070/C 36
1269 333 025	See	1269 333 048		1272 298 901	See	1272 298 904	
1269 333 043	See	1269 333 057		1272 298 903	102.133	000 262 6202	0070/B 5
1269 333 045	See	1269 333 048		1272 298 904	190.202	000 262 6102	0070/A 3
1269 333 047	154.031	000 262 4123	0080/D 20	1272 298 904	190.202	000 262 6102	0070/B 3
1269 333 047	154.031	000 262 4123	0090/C 20	1272 298 907	102.134	000 262 8402	0070/A 5
1269 333 048	109.020	000 262 1537	0080/D 21	1272 298 909	190.187	000 262 9202	0070/B 3
1269 333 048	109.020	000 262 1537	0090/C 21	1272 298 911	190.398		0070/A 3
1269 333 056	109.120	000 262 3240	0080/D 21	1272 298 914	102.381	000 262 9802	0070/A 5
1269 333 056	109.120	000 262 3240	0090/C 21	1272 298 915	102.132	001 262 0002	0070/B 3
1269 333 057	157.115	000 263 0835	0080/D 19	1272 298 917	102.382		0070/B 3
1269 333 057	157.115	000 263 0835	0090/C 19	1272 298 918	190.204	001 262 0502	0070/B 3
1269 336 001	See	1269 336 026		1272 298 921	298.030		0070/A 46
1269 336 026	145.885	000 264 2321	0080/D 40	1272 298 921	298.030		0070/B 56
1269 336 026	145.885	000 264 2321	0090/C 45	1272 298 922	298.029		0070/A 45
1269 336 027	107.209	000 264 3018	0080/D 41	1272 298 922	298.029		0070/B 55

All original equipment manufacturers numbers, symbols, pictures, models and description used in this catalogue are for reference only, and it is not implied that any part listed is the product of these manufacturers. Tutti i nostri particolari non sono originali ma con essi intercambiabili. I riferimenti originali, le figure, i modelli sono esposti a semplice titolo indicativo. La nostra produzione riporta il nostro marchio.

ZF Index

ZF no.	CEI no.	MB no.	Tav. Fig.	ZF no.	CEI no.	MB no.	Tav. Fig.
1272 298 925	198.449	000 262 0006	0070/C 9	1272 304 077	154.032	000 262 1923	0070/B 10
1272 298 926	<i>298.032</i>	000 262 0106	0070/C 38	1272 304 077	154.032	000 262 1923	0070/B 23
1272 298 927	<i>298.031</i>	000 262 0206	0070/C 37	1272 304 077	154.032	000 262 1923	0080/C 15
1272 302 033	<i>See</i>	1272 298 907		1272 304 077	154.032	000 262 1923	0090/B 15
1272 302 095	<i>See</i>	1272 298 909		1272 304 078	155.060	000 262 2235	0030 8
1272 302 097	<i>See</i>	1272 298 914		1272 304 078	155.060	000 262 2235	0060 8
1272 302 106	<i>See</i>	1272 298 915		1272 304 078	155.060	000 262 2235	0060 8
1272 302 110	<i>See</i>	1272 298 917		1272 304 078	155.060	000 262 2235	0070/B 9
1272 302 112	<i>See</i>	1272 298 918		1272 304 079	<i>145.282</i>	000 262 2811	0070/A 20
1272 303 025	146.207	000 263 2410	0070/A 36	1272 304 079	<i>145.282</i>	000 262 2811	0070/B 24
1272 303 025	146.207	000 263 2410	0070/B 43	1272 304 080	<i>145.283</i>	000 262 1212	0070/A 13
1272 303 026	<i>143.065</i>	000 263 1213	0070/A 38	1272 304 080	<i>145.283</i>	000 262 1212	0070/B 18
1272 303 026	<i>143.065</i>	000 263 1213	0070/B 45	1272 304 081	<i>See</i>	1272 304 139	
1272 303 027	<i>146.206</i>	000 263 1313	0070/A 37	1272 304 119	<i>145.315</i>	000 262 5511	0070/A 20
1272 303 027	<i>146.206</i>	000 263 1313	0070/B 44	1272 304 121	<i>145.314</i>	000 262 2912	0070/A 13
1272 303 040	<i>105.061</i>	000 263 3002	0070/B 46	1272 304 123	<i>145.313</i>	000 262 3613	0070/A 10
1272 303 041	<i>143.066</i>	000 263 2513	0070/B 45	1272 304 124	<i>155.143</i>	000 262 1927	0020 7
1272 303 042	146.214	000 263 2613	0070/B 44	1272 304 124	<i>155.143</i>	000 262 1927	0050 7
1272 304 021	<i>188.076</i>	000 262 2762	0070/A 32	1272 304 124	<i>155.143</i>	000 262 1927	0070/A 7
1272 304 021	<i>188.076</i>	000 262 2762	0070/B 38	1272 304 125	<i>155.153</i>	000 262 2027	0070/A 15
1272 304 058	<i>103.077</i>	000 262 1505	0070/A 21	1272 304 130	<i>155.142</i>	000 262 4035	0070/B 22
1272 304 058	<i>103.077</i>	000 262 1505	0070/B 26	1272 304 131	<i>145.288</i>	000 262 3412	0070/B 18
1272 304 060	<i>See</i>	1272 304 079		1272 304 132	<i>145.290</i>	000 262 6511	0070/B 24
1272 304 065	<i>103.078</i>	000 262 1605	0070/A 21	1272 304 133	<i>145.291</i>	000 262 6611	0070/B 28
1272 304 065	<i>103.078</i>	000 262 1605	0070/B 26	1272 304 134	145.284	000 262 4313	0070/B 15
1272 304 066	<i>117.204</i>	000 262 1553	0070/B 36	1272 304 135	<i>155.141</i>	000 262 4135	0070/B 9
1272 304 069	<i>See</i>	1272 304 139		1272 304 136	109.028	000 262 1740	0030 5
1272 304 070	<i>See</i>	1272 304 080		1272 304 136	109.028	000 262 1740	0060 5
1272 304 075	<i>155.123</i>	000 262 2135	0070/B 22	1272 304 136	109.028	000 262 1740	0060 5
1272 304 076	119.042	000 262 1334	0030 6	1272 304 136	109.028	000 262 1740	0070/B 7
1272 304 076	119.042	000 262 1334	0030 20	1272 304 136	109.028	000 262 1740	0070/B 11
1272 304 076	119.042	000 262 1334	0060 6	1272 304 139	145.155	000 262 4513	0070/A 10
1272 304 076	119.042	000 262 1334	0060 20	1272 304 139	145.155	000 262 4513	0070/B 15
1272 304 076	119.042	000 262 1334	0070/B 8	1272 304 165	<i>119.162</i>	000 262 6834	0030 20
1272 304 076	119.042	000 262 1334	0070/B 21	1272 304 166	<i>119.163</i>	000 262 8834	0030 6
1272 304 076	119.042	000 262 1334	0080/C 9	1272 304 166	<i>119.163</i>	000 262 8834	0060 6
1272 304 076	119.042	000 262 1334	0080/C 22	1272 304 166	<i>119.163</i>	000 262 8834	0060 20
1272 304 076	119.042	000 262 1334	0090/B 9	1272 304 166	<i>119.163</i>	000 262 8834	0070/B 8
1272 304 076	119.042	000 262 1334	0090/B 22	1272 304 166	<i>119.163</i>	000 262 8834	0070/B 21
1272 304 077	154.032	000 262 1923	0030 9	1272 304 166	<i>119.163</i>	000 262 8834	0080/C 9
1272 304 077	154.032	000 262 1923	0030 22	1272 304 166	<i>119.163</i>	000 262 8834	0080/C 22
1272 304 077	154.032	000 262 1923	0060 9	1272 304 166	<i>119.163</i>	000 262 8834	0090/B 9
1272 304 077	154.032	000 262 1923	0060 22	1272 304 166	<i>119.163</i>	000 262 8834	0090/B 22

All original equipment manufacturers' numbers, symbols, pictures, models and description used in this catalogue are for reference only, and it is not implied that any part listed is the product of these manufacturers. Tutti i nostri particolari non sono originali ma con essi intercambiabili. I riferimenti originali, le figure, i modelli sono esposti a semplice titolo indicativo. La nostra produzione riporta il nostro marchio.

Date

05 / 2006

Table

Index

ZF no.	CEI no.	MB no.	Tav. Fig.	ZF no.	CEI no.	MB no.	Tav. Fig.
1272 333 014	See	1272 333 019		1285 332 006	150.109	000 264 1576	0070/C 14
1272 333 019	119.078	000 262 1434	0070/C 17	1285 332 011	107.100	000 264 1818	0070/C 3
1272 333 020	155.126	000 262 2335	0070/C 18	1285 332 016	See	1285 232 901	
1272 334 003	141.061	000 268 0149	0030 41	1285 333 003	See	1272 333 020	
1272 334 003	141.061	000 268 0149	0060 41	1285 333 004	See	1285 333 021	
1272 334 003	141.061	000 268 0149	0070/A 34	1285 333 007	160.127	000 262 0840	0070/C 20
1272 334 003	141.061	000 268 0149	0070/B 40	1285 333 008	See	1285 333 020	
1272 334 003	141.061	000 268 0149	0080/C 40	1285 333 018	See	1285 333 021	
1272 334 003	141.061	000 268 0149	0090/B 40	1285 333 020	154.081	000 262 3923	0070/C 19
1272 336 004	See	1272 336 025		1285 333 021	109.066	000 262 1637	0070/C 27
1272 336 023	107.207	000 264 2118	0070/C 44	1285 334 021	See	1285 334 023	
1272 336 025	145.884	000 264 2221	0070/C 42	1285 334 023	149.207	000 264 2424	0070/C 24
1272 338 021	103.193	000 262 5202	0070/C 40	1285 338 004	155.138	000 262 1045	0070/C 29
1272 339 003	154.368	000 262 2223	0070/C 34	1285 338 005	155.137	000 264 1545	0070/C 29
1272 339 007	145.883	000 262 2410	0070/C 39	1286 298 902	198.371	000 260 1197	0080/D 10
1272 339 008	101.141	000 262 5302	0070/C 33	1286 298 902	198.371	000 260 1197	0090/C 10
1272 339 009	101.140	000 262 6002	0070/C 33	1286 304 022	157.082	000 262 0910	0080/B 31
1283 303 002	105.059	000 263 1602	0070/A 39	1286 304 022	157.082	000 262 0910	0080/C 38
1283 303 002	105.059	000 263 1602	0070/B 46	1286 304 022	157.082	000 262 0910	0090/B 38
1283 304 004	117.145	000 262 0750	0070/A 12	1286 332 001	See	1286 298 902	
1283 304 004	117.145	000 262 0750	0070/B 17	1290 304 264	109.100	000 262 2436	0005 17
1283 304 006	See	1283 304 022		1290 304 473	119.138	000 262 7634	0005 20
1283 304 007	145.268	000 262 2211	0070/A 23	1292 303 004	105.062	000 260 0924	0090/B 45
1283 304 007	145.268	000 262 2211	0070/B 28	1292 303 005	143.067	000 263 2213	0090/B 43
1283 304 022	145.269	000 262 2411	0070/A 28	1292 303 006	143.068	000 263 2113	0090/B 44
1283 304 022	145.269	000 262 2411	0070/B 34	1292 304 017	145.261	000 262 4411	0090/B 34
1283 304 026	See	1283 304 004		1292 304 018	145.262	000 262 4311	0090/B 29
1283 305 002	See	1283 305 004		1292 304 025	154.102	000 262 3523	0090/B 31
1283 305 003	See	1283 305 004		1292 304 026	157.117	000 262 1827	0090/B 30
1283 305 004	147.117	000 263 1331	0070/A 43	1292 304 027	117.205	000 262 1850	0090/B 36
1283 305 004	147.117	000 263 1331	0070/B 50	1292 304 035	103.108	000 262 2205	0090/B 27
1283 306 003	141.079	000 268 0249	0070/A 33	1292 304 040	See	1292 304 052	
1283 306 003	141.079	000 268 0249	0070/B 39	1292 304 041	157.095	000 262 3735	0090/B 11
1285 212 005	190.197	000 262 0101	0090/A 3	1292 304 045	145.294	000 262 5411	0090/B 25
1285 232 003	190.182	000 260 0661	0070/C 1	1292 304 046	145.293	000 262 2812	0090/B 19
1285 232 901	198.337	000 260 0397	0070/C 10	1292 304 047	145.272	000 262 3413	0090/B 16
1285 233 003	See	1285 233 007		1292 304 052	157.116	000 262 3835	0090/B 23
1285 233 006	See	1285 233 007		1292 304 053	See	1292 304 070	
1285 233 007	135.077	000 262 1937	0070/C 16	1292 304 069	103.079	000 262 3905	0090/B 27
1285 304 038	157.102	000 262 2210	0070/A 31	1292 304 070		000 262 4005	0090/B 27
1285 304 038	157.102	000 262 2210	0070/B 37	1292 305 002	See	1292 305 004	
1285 312 011	See	1285 212 005		1292 305 004	147.095	000 263 3831	0090/B 48
1285 332 005	123.159	000 264 2021	0070/C 12	1295 202 041	280.348	000 260 1290	0070/A 1

All original equipment manufacturers numbers, symbols, pictures, models and description used in this catalogue are for reference only, and it is not implied that any part listed is the product of these manufacturers. Tutti i nostri particolari non sono originali ma con essi intercambiabili. I riferimenti originali, le figure, i modelli sono esposti a semplice titolo indicativo. La nostra produzione riporta il nostro marchio.

CEI no.	ZF no.	MB no.	Tav. Fig.	CEI no.	ZF no.	MB no.	Tav. Fig.
101.140	1272 339 009	000 262 6002	0070/C 33	102.210	1250 302 445		0030 2
101.141	1272 339 008	000 262 5302	0070/C 33	102.211	1250 302 378		0030 2
101.142	1269 339 024	000 262 5802	0080/D 31	102.220	1268 302 126	001 262 1202	0050 2
101.143	1269 339 025	000 262 5902	0080/D 31	102.224	1238 302 299		0005 3
101.143	1269 339 025	000 262 5902	0090/C 32	102.225	1238 302 297		0005 3
102.073	1250 302 199	343 262 0102	0020 2	102.228	1268 312 128		0040 2
102.078	1268 302 042	000 262 1202	0050 2	102.362	1250 302 287		0020 2
102.078	1268 302 042	000 262 1202	0060 2	102.362	1250 302 287		0030 2
102.079	1268 302 001	000 262 1302	0050 2	102.363	1250 302 187		0020 2
102.079	1268 302 001	000 262 1302	0060 2	102.363	1250 302 187		0030 2
102.080	1250 302 196	366 262 0102	0020 2	102.364	1250 302 452		0020 2
102.080	1250 302 196	366 262 0102	0030 2	102.365	1250 302 294		0020 2
102.083	1268 312 124	000 264 0705	0040 15	102.365	1250 302 294		0030 2
102.102	1268 312 009	000 264 0805	0040 15	102.366	1250 302 392		0030 2
102.129	1269 298 908	000 262 6602	0080/B 3	102.367	1250 302 186		0030 2
102.129	1269 298 908	000 262 6602	0080/C 3	102.368	1250 302 304		0030 2
102.132	1272 298 915	001 262 0002	0070/B 3	102.369	1268 302 044		0050 2
102.133	1272 298 903	000 262 6202	0070/B 5	102.370	1268 302 124		0050 2
102.134	1272 298 907	000 262 8402	0070/A 5	102.371	1268 302 048		0050 2
102.135	1269 298 938	000 260 1720	0080/B 3	102.371	1268 302 048		0060 2
102.135	1269 298 938	000 260 1720	0080/C 2	102.372	1268 302 049		0050 2
102.135	1269 298 938	000 260 1720	0090/B 3	102.372	1268 302 049		0060 2
102.139	1250 302 303		0030 2	102.373	1268 302 098		0050 2
102.140	1250 302 192		0020 2	102.374	1268 302 109		0060 2
102.140	1250 302 192		0030 2	102.375	1268 302 094		0060 2
102.145	1250 312 291		0010 2	102.376	1268 202 009		0060 2
102.145	1250 312 291		0040 2	102.377	1268 302 110		0060 2
102.146	1238 302 142		0005 3	102.378	1268 302 095		0060 2
102.155	1268 302 132	000 262 4702	0050 2	102.379	1268 302 127	001 262 2302	0060 2
102.155	1268 302 132	000 262 4702	0060 2	102.380	1268 302 167		0060 2
102.160	1250 302 258	000 262 2502	0020 2	102.381	1272 298 914	000 262 9802	0070/A 5
102.160	1250 302 258	000 262 2502	0030 2	102.382	1272 298 917		0070/B 3
102.165	1250 312 171	336 264 0106	0010 2	102.383	1268 302 079		0060 2
102.165	1250 312 171	336 264 0106	0040 2	102.384	1269 212 013	000 260 1020	0080/A 5
102.181	1268 302 164	001 262 4302	0060 2	102.385	1269 298 902		0080/B 3
102.185	1268 302 104	000 262 9902	0050 2	102.385	1269 298 902		0080/C 3
102.185	1268 302 104	000 262 9902	0060 2	102.386	1269 298 939		0080/B 5
102.188	1250 302 259		0020 2	102.386	1269 298 939		0080/C 5
102.188	1250 302 259		0030 2	102.386	1269 298 939		0090/B 5
102.198	1268 312 113	000 264 3706	0040 2	103.040	1250 304 388	000 262 1405	0020 22
102.199	1268 302 047	000 262 2602	0050 2	103.040	1250 304 388	000 262 1405	0030 25
102.199	1268 302 047	000 262 2602	0060 2	103.040	1250 304 388	000 262 1405	0050 22
102.200	1250 302 260	000 262 3402	0030 2	103.040	1250 304 388	000 262 1405	0060 25

All original equipment manufacturers numbers, symbols, pictures, models and description used in this catalogue are for reference only, and it is not implied that any part listed is the product of these manufacturers.
Tutti i nostri particolari non sono originali ma con essi intercambiabili. I riferimenti originali, le figure, i modelli sono esposti a semplice titolo indicativo. La nostra produzione riporta il nostro marchio.

CEI Index

CEI no.	ZF no.	MB no.	Tav. Fig.	CEI no.	ZF no.	MB no.	Tav. Fig.
103.040	1250 304 388	000 262 1405	0060 25	105.071	1238 203 019	000 263 1502	0005 42
103.041	1250 304 474	000 262 2405	0020 22	105.097	1268 312 142		0040 15
103.041	1250 304 474	000 262 2405	0030 25	105.098	1268 312 139		0040 15
103.041	1250 304 474	000 262 2405	0050 22	105.190	1268 203 061		0060 46
103.041	1250 304 474	000 262 2405	0060 25	107.072	1250 305 003	343 263 0030	0020 48
103.041	1250 304 474	000 262 2405	0060 25	107.072	1250 305 003	343 263 0030	0030 51
103.048	1250 304 473	000 262 2305	0020 22	107.072	1250 305 003	343 263 0030	0050 48
103.048	1250 304 473	000 262 2305	0030 25	107.072	1250 305 003	343 263 0030	0060 51
103.048	1250 304 473	000 262 2305	0050 22	107.088	1269 305 003	000 263 0530	0070/A 44
103.048	1250 304 473	000 262 2305	0060 25	107.088	1269 305 003	000 263 0530	0070/B 51
103.048	1250 304 473	000 262 2305	0060 25	107.088	1269 305 003	000 263 0530	0080/B 41
103.049	1250 312 247	000 264 1706	0010 2	107.088	1269 305 003	000 263 0530	0080/C 49
103.049	1250 312 247	000 264 1706	0040 2	107.088	1269 305 003	000 263 0530	0090/B 49
103.065	1269 304 061	000 262 0905	0080/B 21	107.089	1269 332 036	000 264 1618	0080/D 3
103.065	1269 304 061	000 262 0905	0080/C 27	107.089	1269 332 036	000 264 1618	0090/C 3
103.066	1238 304 345	000 262 1205	0005 25	107.100	1285 332 011	000 264 1818	0070/C 3
103.076	1250 304 129	343 262 0105	0020 22	107.114	1238 305 019	000 263 0630	0005 46
103.076	1250 304 129	343 262 0105	0030 25	107.207	1272 336 023	000 264 2118	0070/C 44
103.076	1250 304 129	343 262 0105	0050 22	107.208	1269 332 050	000 264 2918	0080/D 3
103.076	1250 304 129	343 262 0105	0060 25	107.208	1269 332 050	000 264 2918	0090/C 3
103.076	1250 304 129	343 262 0105	0060 25	107.209	1269 336 027	000 264 3018	0080/D 41
103.077	1272 304 058	000 262 1505	0070/A 21	107.209	1269 336 027	000 264 3018	0090/C 46
103.077	1272 304 058	000 262 1505	0070/B 26	109.020	1269 333 048	000 262 1537	0080/D 21
103.078	1272 304 065	000 262 1605	0070/A 21	109.020	1269 333 048	000 262 1537	0090/C 21
103.078	1272 304 065	000 262 1605	0070/B 26	109.021	1269 304 137	000 262 1736	0060 10
103.079	1292 304 069	000 262 3905	0090/B 27	109.021	1269 304 137	000 262 1736	0060 10
103.107	1268 304 274	000 262 3305	0060 25	109.021	1269 304 137	000 262 1736	0080/C 8
103.108	1292 304 035	000 262 2205	0090/B 27	109.022	1250 304 351	000 262 0340	0030 19
103.193	1272 338 021	000 262 5202	0070/C 40	109.022	1250 304 351	000 262 0340	0060 19
103.194	1269 304 060	000 262 1005	0080/B 21	109.022	1250 304 351	000 262 0340	0070/B 20
103.194	1269 304 060	000 262 1005	0080/C 27	109.022	1250 304 351	000 262 0340	0080/C 21
105.038	1250 203 002	000 260 0224	0020 43	109.022	1250 304 351	000 262 0340	0090/B 21
105.038	1250 203 002	000 260 0224	0030 46	109.028	1272 304 136	000 262 1740	0030 5
105.040	1250 312 126	366 264 0105	0010 15	109.028	1272 304 136	000 262 1740	0060 5
105.041	1250 312 130	336 264 0205	0010 15	109.028	1272 304 136	000 262 1740	0060 5
105.042	1268 203 001	000 260 0124	0050 43	109.028	1272 304 136	000 262 1740	0070/B 7
105.042	1268 203 001	000 260 0124	0060 46	109.028	1272 304 136	000 262 1740	0070/B 11
105.056	1269 303 041	000 263 1302	0080/B 37	109.029	1250 304 350	000 262 0240	0030 28
105.056	1269 303 041	000 263 1302	0080/C 45	109.029	1250 304 350	000 262 0240	0060 28
105.059	1283 303 002	000 263 1602	0070/A 39	109.030	1250 304 006	343 262 0036	0020 31
105.059	1283 303 002	000 263 1602	0070/B 46	109.030	1250 304 006	343 262 0036	0030 34
105.061	1272 303 040	000 263 3002	0070/B 46	109.030	1250 304 006	343 262 0036	0050 31
105.062	1292 303 004	000 260 0924	0090/B 45	109.030	1250 304 006	343 262 0036	0060 34

Date

05 / 2006

Table

Index

CEI no.	ZF no.	MB no.	Tav. Fig.	CEI no.	ZF no.	MB no.	Tav. Fig.
109.031	1250 304 292	336 262 0240	0030 10	117.153	1269 304 003	000 262 0350	0080/C 18
109.031	1250 304 292	336 262 0240	0060 10	117.154	1269 304 004	000 262 0450	0080/C 36
109.031	1250 304 292	336 262 0240	0060 10	117.204	1272 304 066	000 262 1553	0070/B 36
109.031	1250 304 292	336 262 0240	0070/B 7	117.205	1292 304 027	000 262 1850	0090/B 36
109.037	1250 312 366	000 264 0846	0010 5	117.222	1238 304 006	000 262 0850	0005 14
109.037	1250 312 366	000 264 0846	0040 5	117.223	1238 304 231	000 262 1050	0005 19
109.037	1250 312 366	000 264 0846	0080/A 8	117.224	1238 304 232	000 262 0950	0005 29
109.037	1250 312 366	000 264 0846	0090/A 8	117.231	1269 304 197	000 262 1750	0090/B 18
109.038	1250 312 364	000 264 0746	0010 12	117.238	1268 304 141	000 262 1150	0060 16
109.038	1250 312 364	000 264 0746	0040 12	119.041	1269 328 254	000 262 0734	0080/D 18
109.038	1250 312 364	000 264 0746	0080/A 16	119.041	1269 328 254	000 262 0734	0090/C 18
109.038	1250 312 364	000 264 0746	0090/A 16	119.042	1272 304 076	000 262 1334	0030 6
109.066	1285 333 021	000 262 1637	0070/C 27	119.042	1272 304 076	000 262 1334	0030 20
109.078	1269 304 196	000 262 1240	0090/B 8	119.042	1272 304 076	000 262 1334	0060 6
109.099	1238 304 383	000 262 2036	0005 5	119.042	1272 304 076	000 262 1334	0060 20
109.100	1290 304 264	000 262 2436	0005 17	119.042	1272 304 076	000 262 1334	0070/B 8
109.111	1268 304 538	000 262 3740	0060 10	119.042	1272 304 076	000 262 1334	0070/B 21
109.120	1269 333 056	000 262 3240	0080/D 21	119.042	1272 304 076	000 262 1334	0080/C 9
109.120	1269 333 056	000 262 3240	0090/C 21	119.042	1272 304 076	000 262 1334	0080/C 22
109.126	1268 304 537	000 262 3640	0060 5	119.042	1272 304 076	000 262 1334	0090/B 9
109.127	1268 304 142	000 262 0740	0060 5	119.042	1272 304 076	000 262 1334	0090/B 22
109.127	1268 304 142	000 262 0740	0060 5	119.054	1250 304 226	336 262 0734	0030 6
109.398	1268 304 198		0060 10	119.054	1250 304 226	336 262 0734	0030 20
111.018	0630 531 057	001 994 8841	0020 5	119.054	1250 304 226	336 262 0734	0060 6
111.018	0630 531 057	001 994 8841	0030 4A	119.054	1250 304 226	336 262 0734	0060 20
111.018	0630 531 057	001 994 8841	0050 5	119.054	1250 304 226	336 262 0734	0070/B 8
111.018	0630 531 057	001 994 8841	0060 4A	119.054	1250 304 226	336 262 0734	0070/B 21
111.175	0730 505 053	000 264 0673	0080/D 15	119.054	1250 304 226	336 262 0734	0080/C 9
111.175	0730 505 053	000 264 0673	0090/C 15	119.054	1250 304 226	336 262 0734	0080/C 22
111.266	0730 505 027	001 994 0135	0070/C 13	119.054	1250 304 226	336 262 0734	0090/B 9
111.267	0730 505 054	001 994 4135	0070/C 15	119.054	1250 304 226	336 262 0734	0090/B 22
117.100	1250 304 142	343 262 0250	0020 12	119.055	1250 304 472		0030 29
117.100	1250 304 142	343 262 0250	0030 16	119.055	1250 304 472		0060 29
117.100	1250 304 142	343 262 0250	0050 12	119.068	1250 304 227	336 262 0634	0030 29
117.100	1250 304 142	343 262 0250	0060 16	119.068	1250 304 227	336 262 0634	0060 29
117.100	1250 304 142	343 262 0250	0060 16	119.069	1240 304 384	000 262 0434	0010 6
117.101	0730 160 344	343 262 0350	0020 32	119.069	1240 304 384	000 262 0434	0040 6
117.101	0730 160 344	343 262 0350	0030 35	119.069	1240 304 384	000 262 0434	0080/A 9
117.101	0730 160 344	343 262 0350	0050 32	119.069	1240 304 384	000 262 0434	0090/A 9
117.101	0730 160 344	343 262 0350	0060 35	119.072	1238 304 420	000 262 2634	0005 20
117.145	1283 304 004	000 262 0750	0070/A 12	119.078	1272 333 019	000 262 1434	0070/C 17
117.145	1283 304 004	000 262 0750	0070/B 17	119.079	1269 328 289	000 262 2234	0080/D 18
117.153	1269 304 003	000 262 0350	0080/B 12	119.079	1269 328 289	000 262 2234	0090/C 18

All original equipment manufacturers numbers, symbols, pictures, models and description used in this catalogue are for reference only, and it is not implied that any part listed is the product of these manufactures.
Tutti i nostri particolari non sono originali ma con essi intercambiabili. I riferimenti originali, le figure, i modelli sono esposti a semplice titolo indicativo. La nostra produzione riporta il nostro marchio.

CEI Index

CEI no.	ZF no.	MB no.	Tav. Fig.	CEI no.	ZF no.	MB no.	Tav. Fig.
119.080	1250 304 417	000 262 1934	0010 6	130.242	0750 117 010	001 980 8102	0080/C 42
119.080	1250 304 417	000 262 1934	0040 6	130.242	0750 117 010	001 980 8102	0090/A 20
119.080	1250 304 417	000 262 1934	0080/A 9	130.242	0750 117 010	001 980 8102	0090/B 42
119.080	1250 304 417	000 262 1934	0090/A 9	130.258	0750 118 082	005 981 8501	0010 13
119.103	1269 328 291	000 262 3534	0080/D 18	130.258	0750 118 082	005 981 8501	0020 1
119.103	1269 328 291	000 262 3534	0090/C 18	130.258	0750 118 082	005 981 8501	0030 1
119.137	6002 304 729	000 262 2534	0005 6	130.258	0750 118 082	005 981 8501	0030 38
119.138	1290 304 473	000 262 7634	0005 20	130.258	0750 118 082	005 981 8501	0040 13
119.162	1272 304 165	000 262 6834	0030 20	130.258	0750 118 082	005 981 8501	0050 1
119.163	1272 304 166	000 262 8834	0030 6	130.258	0750 118 082	005 981 8501	0060 1
119.163	1272 304 166	000 262 8834	0060 6	130.258	0750 118 082	005 981 8501	0060 38
119.163	1272 304 166	000 262 8834	0060 20	130.263	0750 117 778	004 981 1305	0050 39A
119.163	1272 304 166	000 262 8834	0070/B 8	130.263	0750 117 778	004 981 1305	0060 47
119.163	1272 304 166	000 262 8834	0070/B 21	130.264	0635 333 049	000 981 9025	0020 35
119.163	1272 304 166	000 262 8834	0080/C 9	130.264	0635 333 049	000 981 9025	0050 35
119.163	1272 304 166	000 262 8834	0080/C 22	130.264	0635 333 049	000 981 9025	0080/D 25
119.163	1272 304 166	000 262 8834	0090/B 9	130.264	0635 333 049	000 981 9025	0090/C 25
119.163	1272 304 166	000 262 8834	0090/B 22	130.265	0735 340 080	002 981 7825	0070/C 26
119.164	1250 304 391	000 262 1634	0030 29	130.266	0750 116 036	003 981 9925	0070/C 28
119.164	1250 304 391	000 262 1634	0060 29	130.267	0735 410 034	005 981 1205	0005 33
123.145	1269 332 020	000 264 1721	0080/D 16	130.691	0750 118 090	006 981 4701	0020 3
123.145	1269 332 020	000 264 1721	0090/C 16	130.691	0750 118 090	006 981 4701	0030 3
123.159	1285 332 005	000 264 2021	0070/C 12	130.691	0750 118 090	006 981 4701	0050 3
123.163	1269 332 055	000 264 2821	0080/D 13	130.691	0750 118 090	006 981 4701	0060 3
123.163	1269 332 055	000 264 2821	0090/C 13	130.691	0750 118 090	006 981 4701	0060 3
128.138	1238 302 099		0005 1	130.692	0735 455 012	003 981 6001	0060 3
130.178	0735 410 029	001 981 2418	0005 2	130.693	0750 117 381		0070/A 4
130.233	1246 203 008	001 980 9602	0020 39A	130.693	0750 117 381		0070/B 4
130.233	1246 203 008	001 980 9602	0030 47	130.694	0750 118 015	005 981 5201	0070/A 30
130.233	1246 203 008	001 980 9602	0070/A 40	130.694	0750 118 015	005 981 5201	0070/B 35
130.233	1246 203 008	001 980 9602	0070/B 47	130.695	0635 416 273	005412 520217	0070/C 35
130.234	0750 117 083	009 981 3301	0010 16	130.696	0635 373 008		0070/C 41
130.234	0750 117 083	009 981 3301	0020 39	130.696	0635 373 008		0070/C 43
130.234	0750 117 083	009 981 3301	0030 42	130.697	0750 118 129	007 981 0301	0080/A 2
130.234	0750 117 083	009 981 3301	0070/A 35	130.697	0750 118 129	007 981 0301	0080/A 17
130.234	0750 117 083	009 981 3301	0070/B 42	130.697	0750 118 129	007 981 0301	0080/B 2
130.235	0735 370 033	005 981 5005	0070/A 2	130.697	0750 118 129	007 981 0301	0080/C 2
130.235	0735 370 033	005 981 5005	0070/B 2	130.697	0750 118 129	007 981 0301	0090/A 2
130.242	0750 117 010	001 980 8102	0040 16	130.697	0750 118 129	007 981 0301	0090/A 17
130.242	0750 117 010	001 980 8102	0050 39	130.697	0750 118 129	007 981 0301	0090/B 2
130.242	0750 117 010	001 980 8102	0060 42	130.698	0750 117 078	010 981 1501	0080/A 4
130.242	0750 117 010	001 980 8102	0080/A 20	130.698	0750 117 078	010 981 1501	0080/B 4
130.242	0750 117 010	001 980 8102	0080/B 34	130.698	0750 117 078	010 981 1501	0080/C 4

Date

05 / 2006

Table

Index

CEI no.	ZF no.	MB no.	Tav. Fig.	CEI no.	ZF no.	MB no.	Tav. Fig.
130.698	0750 117 078	010 981 1501	0090/B 4	137.087	0750 118 019	004 981 5801	0090/B 6
130.699	0750 118 081	005 981 8701	0010 1	137.091	0735 320 314	005 981 0510	0020 11
130.699	0750 118 081	005 981 8701	0040 1	137.091	0735 320 314	005 981 0510	0030 15
130.699	0750 118 081	005 981 8701	0080/B 30	137.091	0735 320 314	005 981 0510	0050 11
130.699	0750 118 081	005 981 8701	0080/C 37	137.091	0735 320 314	005 981 0510	0060 15
130.699	0750 118 081	005 981 8701	0090/B 37	137.091	0735 320 314	005 981 0510	0060 15
130.700	0635 330 050		0080/D 12	137.092	0750 115 284	013 981 9110	0020 14
130.700	0635 330 050		0090/C 12	137.092	0750 115 284	013 981 9110	0030 18
130.701	0635 332 132	000 625 536 219	0080/D 33	137.092	0750 115 284	013 981 9110	0050 14
130.701	0635 332 132	000 625 536 219	0090/C 34	137.092	0750 115 284	013 981 9110	0060 18
135.060	1269 233 010	000 262 2037	0080/D 17	137.093	0750 115 134	012 981 5910	0020 21
135.060	1269 233 010	000 262 2037	0090/C 17	137.093	0750 115 134	012 981 5910	0030 24
135.077	1285 233 007	000 262 1937	0070/C 16	137.093	0750 115 134	012 981 5910	0050 21
135.111	1269 233 012	000 262 3340	0080/D 17	137.093	0750 115 134	012 981 5910	0060 24
135.111	1269 233 012	000 262 3340	0090/C 17	137.094	0750 115 282	013 981 9210	0020 23
137.007	0750 115 011	010 981 1010	0020 46	137.094	0750 115 282	013 981 9210	0030 26
137.007	0750 115 011	010 981 1010	0030 49	137.094	0750 115 282	013 981 9210	0050 23
137.007	0750 115 011	010 981 1010	0050 46	137.094	0750 115 282	013 981 9210	0060 26
137.007	0750 115 011	010 981 1010	0060 49	137.095	0750 115 283	002 981 1710	0020 29
137.007	0750 115 011	010 981 1010	0070/A 42	137.095	0750 115 283	002 981 1710	0030 32
137.007	0750 115 011	010 981 1010	0070/B 49	137.095	0750 115 283	002 981 1710	0050 29
137.007	0750 115 011	010 981 1010	0080/B 39	137.095	0750 115 283	002 981 1710	0060 32
137.007	0750 115 011	010 981 1010	0080/C 47	137.096	0735 320 154	001 981 7410	0020 33
137.007	0750 115 011	010 981 1010	0090/B 47	137.096	0735 320 154	001 981 7410	0030 36
137.074	0750 115 227	005 981 9910	0070/A 19	137.096	0735 320 154	001 981 7410	0050 33
137.074	0750 115 227	005 981 9910	0070/B 25	137.096	0735 320 154	001 981 7410	0060 36
137.075	0735 320 377	006 981 6410	0070/A 22	137.097	0735 320 211	006 981 1610	0005 13
137.075	0735 320 377	006 981 6410	0070/B 27	137.098	0735 320 210	006 981 1710	0005 18
137.077	0735 320 396	008 981 1010	0080/B 11	137.099	0735 320 411	007 981 1910	0005 24
137.077	0735 320 396	008 981 1010	0080/C 17	137.100	0735 358 014	001 981 7312	0005 4
137.078	0735 320 493	008 981 0910	0080/B 14	137.101	0735 320 114	006 981 1410	0005 44
137.078	0735 320 493	008 981 0910	0080/C 20	137.107	0735 320 499	009 981 9010	0060 15
137.079	0735 320 371	005 981 8710	0080/B 19	137.107	0735 320 499	009 981 9010	0090/B 17
137.079	0735 320 371	005 981 8710	0080/B 22	137.108	0750 115 089	011 981 1210	0010 3
137.079	0735 320 371	005 981 8710	0080/B 29	137.108	0750 115 089	011 981 1210	0040 3
137.079	0735 320 371	005 981 8710	0080/C 26	137.108	0750 115 089	011 981 1210	0080/A 6
137.079	0735 320 371	005 981 8710	0080/C 28	137.108	0750 115 089	011 981 1210	0090/A 6
137.079	0735 320 371	005 981 8710	0080/C 35	137.235	0735 320 466	009 981 9210	0090/B 28
137.084	0735 320 418	010 981 3510	0090/B 26	137.235	0735 320 466	009 981 9210	0090/B 35
137.087	0750 118 019	004 981 5801	0070/A 6	137.236	0735 320 465	009 981 9310	0090/B 20
137.087	0750 118 019	004 981 5801	0070/B 6	137.265	0735 320 731	012 981 7810	0070/A 11
137.087	0750 118 019	004 981 5801	0080/B 6	137.265	0735 320 731	012 981 7810	0070/B 16
137.087	0750 118 019	004 981 5801	0080/C 6	137.266	0735 320 732	012 981 7910	0070/A 14

All original equipment manufacturers numbers, symbols, pictures, models and description used in this catalogue are for reference only, and it is not implied that any part listed is the product of these manufacturers. Tutti i nostri particolari non sono originali ma con essi intercambiabili. I riferimenti originali, le figure, i modelli sono esposti a semplice titolo indicativo. La nostra produzione riporta il nostro marchio.

CEI Index

CEI no.	ZF no.	MB no.	Tav. Fig.	CEI no.	ZF no.	MB no.	Tav. Fig.
137.266	0735 320 732	012 981 7910	0070/B 19	143.054	1269 303 006	000 263 0413	0080/C 44
137.267	0735 320 417	012 981 7910	0070/A 29	143.065	1272 303 026	000 263 1213	0070/A 38
137.267	0735 320 417	012 981 7910	0070/B 33	143.065	1272 303 026	000 263 1213	0070/B 45
137.268	0735 358 032	002 981 3410	0010 14	143.066	1272 303 041	000 263 2513	0070/B 45
137.268	0735 358 032	002 981 3410	0040 14	143.067	1292 303 005	000 263 2213	0090/B 43
137.268	0735 358 032	002 981 3410	0080/A 18	143.068	1292 303 006	000 263 2113	0090/B 44
137.268	0735 358 032	002 981 3410	0090/A 18	143.071	1238 303 112		0005 41
141.061	1272 334 003	000 268 0149	0030 41	143.073	1268 303 097	000 263 2013	0060 45
141.061	1272 334 003	000 268 0149	0060 41	143.087	1250 303 084	000 263 0414	0030 45
141.061	1272 334 003	000 268 0149	0070/A 34	143.091	1238 303 110		0005 41
141.061	1272 334 003	000 268 0149	0070/B 40	143.126	1250 303 049		0020 42
141.061	1272 334 003	000 268 0149	0080/C 40	143.126	1250 303 049		0030 45
141.061	1272 334 003	000 268 0149	0090/B 40	143.127	1250 303 136		0030 45
141.062	1240 306 234	000 265 0549	0020 38	143.128	1250 303 159		0030 45
141.062	1240 306 234	000 265 0549	0050 38	143.129	1268 303 011		0050 42
141.068	1295 306 132	000 268 0849	0020 17	143.129	1268 303 011		0060 45
141.068	1295 306 132	000 268 0849	0020 38	143.130	1268 303 095		0060 45
141.068	1295 306 132	000 268 0849	0050 17	143.132	1268 303 086		0060 45
141.068	1295 306 132	000 268 0849	0050 38	143.133	1268 303 039	000 263 1113	0060 45
141.068	1295 306 132	000 268 0849	0070/A 34	143.134	1268 303 072		0060 45
141.068	1295 306 132	000 268 0849	0070/B 41	145.155	1272 304 139	000 262 4513	0070/A 10
141.068	1295 306 132	000 268 0849	0070/C 23	145.155	1272 304 139	000 262 4513	0070/B 15
141.068	1295 306 132	000 268 0849	0080/B 33	145.197	1250 304 384	000 262 1515	0020 10
141.068	1295 306 132	000 268 0849	0080/C 41	145.197	1250 304 384	000 262 1515	0020 10
141.068	1295 306 132	000 268 0849	0090/B 41	145.198	1250 304 178	343 262 0114	0020 13
141.079	1283 306 003	000 268 0249	0070/A 33	145.198	1250 304 178	343 262 0114	0020 13
141.079	1283 306 003	000 268 0249	0070/B 39	145.198	1250 304 178	343 262 0114	0030 17
141.088	1295 334 027	000 268 0549	0080/D 28	145.198	1250 304 178	343 262 0114	0030 17
141.088	1295 334 027	000 268 0549	0090/C 28	145.199	1250 304 179	343 262 0113	0020 20
141.146	1268 312 057	000 264 0749	0010 19	145.199	1250 304 179	343 262 0113	0020 20
141.146	1268 312 057	000 264 0749	0040 19	145.199	1250 304 179	343 262 0113	0030 23
143.035	1250 303 056	343 263 0114	0020 42	145.199	1250 304 179	343 262 0113	0030 23
143.035	1250 303 056	343 263 0114	0030 45	145.200	1250 304 029	343 262 0012	0020 24
143.035	1250 303 056	343 263 0114	0030 45	145.200	1250 304 029	343 262 0012	0020 24
143.037	1250 303 062	366 263 0114	0020 42	145.200	1250 304 029	343 262 0012	0030 27
143.037	1250 303 062	366 263 0114	0030 45	145.201	1250 304 240	336 262 0011	0020 30
143.038	1268 303 006	000 263 0613	0050 42	145.201	1250 304 240	336 262 0011	0020 30
143.038	1268 303 006	000 263 0613	0060 45	145.201	1250 304 240	336 262 0011	0030 33
143.039	1268 303 005	000 263 0713	0050 42	145.203	1250 304 127	343 262 0115	0020 10
143.039	1268 303 005	000 263 0713	0060 45	145.208	1268 304 010	000 262 0614	0050 13
143.053	1269 303 053	000 263 0914	0080/B 35	145.208	1268 304 010	000 262 0614	0050 13
143.053	1269 303 053	000 263 0914	0080/C 43	145.208	1268 304 010	000 262 0614	0060 17
143.054	1269 303 006	000 263 0413	0080/B 36	145.209	1268 304 015	000 262 0815	0050 10

Date

05 / 2006

Table

Index

CEI no.	ZF no.	MB no.	Tav. Fig.	CEI no.	ZF no.	MB no.	Tav. Fig.
145.209	1268 304 015	000 262 0815	0060 14	145.282	1272 304 079	000 262 2811	0070/A 20
145.210	1268 304 009	000 262 0513	0050 20	145.282	1272 304 079	000 262 2811	0070/B 24
145.210	1268 304 009	000 262 0513	0050 20	145.283	1272 304 080	000 262 1212	0070/A 13
145.210	1268 304 009	000 262 0513	0060 23	145.283	1272 304 080	000 262 1212	0070/B 18
145.211	1268 304 204	000 262 2112	0050 24	145.284	1272 304 134	000 262 4313	0070/B 15
145.211	1268 304 204	000 262 2112	0050 24	145.288	1272 304 131	000 262 3412	0070/B 18
145.211	1268 304 204	000 262 2112	0060 27	145.290	1272 304 132	000 262 6511	0070/B 24
145.212	1268 304 213	000 262 4611	0050 30	145.291	1272 304 133	000 262 6611	0070/B 28
145.212	1268 304 213	000 262 4611	0050 30	145.293	1292 304 046	000 262 2812	0090/B 19
145.213	1268 304 005	000 262 0915	0050 10	145.294	1292 304 045	000 262 5411	0090/B 25
145.213	1268 304 005	000 262 0915	0050 10	145.308	1238 304 093	000 262 0912	0005 23
145.214	1268 304 004	000 262 0714	0050 13	145.313	1272 304 123	000 262 3613	0070/A 10
145.214	1268 304 004	000 262 0714	0050 13	145.314	1272 304 121	000 262 2912	0070/A 13
145.214	1268 304 004	000 262 0714	0060 17	145.315	1272 304 119	000 262 5511	0070/A 20
145.215	1268 304 003	000 262 0613	0050 20	145.323	1238 304 060		0005 12
145.215	1268 304 003	000 262 0613	0050 20	145.324	1238 304 061		0005 16
145.215	1268 304 003	000 262 0613	0060 23	145.325	1238 304 059	000 262 1811	0005 26
145.216	1250 304 210	366 262 0115	0020 10	145.326	1238 304 227	000 262 1911	0005 31
145.216	1250 304 210	366 262 0115	0020 10	145.332	1238 304 097	000 262 1214	0005 12
145.217	1250 304 217	366 262 0114	0020 13	145.333	1238 304 088	000 262 1013	0005 16
145.217	1250 304 217	366 262 0114	0020 13	145.356	1268 304 251	000 262 2915	0060 17
145.217	1250 304 217	366 262 0114	0030 17	145.357	1268 304 252	000 262 2713	0060 23
145.243	1269 304 139	000 262 1513	0080/B 10	145.360	1268 304 536	000 262 4515	0060 14
145.243	1269 304 139	000 262 1513	0080/C 16	145.421	1250 304 305	000 262 0615	0030 14
145.244	1269 304 131	000 262 1112	0080/B 13	145.422	1250 304 257	000 262 0413	0030 23
145.244	1269 304 131	000 262 1112	0080/C 19	145.438	1268 304 535		0060 14
145.245	1269 304 132	000 262 2511	0080/B 20	145.439	1268 304 230		0060 17
145.245	1269 304 132	000 262 2511	0080/C 25	145.440	1250 304 256	000 262 0414	0030 17
145.246	1269 304 072	000 262 1411	0080/B 23	145.457	1238 304 550		0005 12
145.246	1269 304 072	000 262 1411	0080/C 29	145.458	1238 304 297	000 262 5613	0005 16
145.247	1269 304 068	000 262 1511	0080/B 28	145.459	1238 304 532	000 262 4812	0005 23
145.247	1269 304 068	000 262 1511	0080/C 34	145.492	1268 304 247		0060 14
145.255	1269 312 005	000 262 1710	0080/A 7	145.492	1268 304 247		0060 14
145.255	1269 312 005	000 262 1710	0090/A 7	145.493	1268 304 250		0060 14
145.261	1292 304 017	000 262 4411	0090/B 34	145.841	1250 304 404		0020 10
145.262	1292 304 018	000 262 4311	0090/B 29	145.841	1250 304 404		0030 14
145.268	1283 304 007	000 262 2211	0070/A 23	145.842	1250 304 172		0020 13
145.268	1283 304 007	000 262 2211	0070/B 28	145.842	1250 304 172		0030 17
145.269	1283 304 022	000 262 2411	0070/A 28	145.843	1250 304 173		0020 20
145.269	1283 304 022	000 262 2411	0070/B 34	145.843	1250 304 173		0030 23
145.272	1292 304 047	000 262 3413	0090/B 16	145.844	1250 304 514		0030 14
145.274	1268 304 094		0050 10	145.845	1250 304 400		0030 14
145.274	1268 304 094		0050 10	145.846	1250 304 502	000 262 4015	0030 14

All original equipment manufacturers numbers, symbols, pictures, models and description used in this catalogue are for reference only, and it is not implied that any part listed is the product of these manufacturers.
Tutti i nostri particolari non sono originali ma con essi intercambiabili. I riferimenti originali, le figure, i modelli sono esposti a semplice titolo indicativo. La nostra produzione riporta il nostro marchio.

CEI Index

CEI no.	ZF no.	MB no.	Tav. Fig.	CEI no.	ZF no.	MB no.	Tav. Fig.
145.847	1250 304 513		0030 14	146.099	1250 303 058	336 263 0115	0030 44
145.848	1250 304 299		0030 14	146.102	1250 303 048	343 263 0215	0020 41
145.849	1250 304 135		0030 14	146.102	1250 303 048	343 263 0215	0030 44
145.850	1250 304 399		0030 17	146.103	1250 303 112	000 263 1710	0020 40
145.851	1250 304 444		0030 17	146.103	1250 303 112	000 263 1710	0030 43
145.852	1250 304 443		0030 23	146.104	1250 303 074	366 263 0015	0020 41
145.853	1250 304 398		0030 23	146.104	1250 303 074	366 263 0015	0030 44
145.854	1268 304 012		0050 10	146.105	1268 303 012	000 263 0715	0050 41
145.855	1268 304 269		0050 10	146.105	1268 303 012	000 263 0715	0060 44
145.856	1268 304 262	000 262 3515	0050 10	146.106	1268 303 004	000 263 0815	0050 41
145.857	1268 304 013		0050 13	146.106	1268 303 004	000 263 0815	0060 44
145.857	1268 304 013		0060 17	146.107	1268 303 056	000 263 1510	0050 40
145.858	1268 304 268		0050 13	146.107	1268 303 056	000 263 1510	0060 43
145.859	1268 304 237	000 262 3514	0050 13	146.108	1268 303 057	000 263 1410	0050 40
145.860	1268 304 014		0050 20	146.108	1268 303 057	000 263 1410	0060 43
145.860	1268 304 014		0060 23	146.123	1250 312 161	366 262 0310	0010 4
145.861	1268 304 267		0050 20	146.124	1250 312 270	000 262 1510	0010 17
145.862	1268 304 235	000 262 5113	0050 20	146.125	1268 304 256	000 262 4111	0060 33
145.863	1268 304 244	000 262 4312	0050 24	146.162	1268 312 003	000 262 0110	0040 4
145.864	1268 304 245	000 262 7411	0050 30	146.163	1268 312 055	000 262 1810	0040 17
145.866	1268 304 292		0060 14	146.166	1268 312 051	000 262 1310	0040 17
145.867	1268 304 287		0060 14	146.186	1269 312 049	000 263 5110	0080/A 21
145.868	1268 304 372		0060 14	146.186	1269 312 049	000 263 5110	0090/A 21
145.869	1268 304 229		0060 14	146.206	1272 303 027	000 263 1313	0070/A 37
145.870	1268 304 373		0060 14	146.206	1272 303 027	000 263 1313	0070/B 44
145.871	1268 304 040		0060 14	146.207	1272 303 025	000 263 2410	0070/A 36
145.872	1268 304 168		0060 14	146.207	1272 303 025	000 263 2410	0070/B 43
145.873	1268 304 248		0060 17	146.208	1268 303 007		0050 41
145.875	1268 304 041	000 262 1314	0060 17	146.208	1268 303 007		0060 44
145.876	1268 304 167		0060 17	146.214	1272 303 042	000 263 2613	0070/B 44
145.877	1268 304 249		0060 23	146.237	1250 303 115		0030 43
145.879	1268 304 231		0060 23	146.243	1238 303 054		0005 39
145.880	1268 304 018	000 262 1113	0060 23	146.244	1238 303 055		0005 40
145.881	1268 304 166		0060 23	146.280	1268 303 096	000 263 1815	0060 44
145.882	1268 304 273		0060 27	146.281	1268 303 093	000 263 2910	0060 43
145.883	1272 339 007	000 262 2410	0070/C 39	146.304	1268 312 052	000 262 1410	0040 17
145.884	1272 336 025	000 264 2221	0070/C 42	146.351	1250 303 114	000 263 1310	0030 43
145.885	1269 336 026	000 264 2321	0080/D 40	146.352	1250 303 094	000 263 0515	0030 44
145.885	1269 336 026	000 264 2321	0090/C 45	146.371	1238 303 069		0005 40
146.098	1250 303 111	000 263 1610	0020 40	146.372	1238 303 061	000 263 2010	0005 39
146.098	1250 303 111	000 263 1610	0030 43	146.392	1268 312 010	000 262 0210	0040 4
146.098	1250 303 111	000 263 1610	0030 44	146.591	1250 303 116		0020 40
146.099	1250 303 058	336 263 0115	0020 41	146.591	1250 303 116		0030 43

Date

05 / 2006

Table

Index

CEI no.	ZF no.	MB no.	Tav. Fig.	CEI no.	ZF no.	MB no.	Tav. Fig.
146.592	1250 303 113	000 263 1810	0020 40	154.032	1272 304 077	000 262 1923	0070/B 10
146.592	1250 303 113	000 263 1810	0030 43	154.032	1272 304 077	000 262 1923	0070/B 23
146.593	1250 303 060		0020 41	154.032	1272 304 077	000 262 1923	0080/C 15
146.593	1250 303 060		0030 44	154.032	1272 304 077	000 262 1923	0090/B 15
146.594	1250 303 138		0030 43	154.033	1240 304 375	000 262 0823	0080/C 24
146.595	1250 303 154		0030 43	154.033	1240 304 375	000 262 0823	0090/B 24
146.596	1250 303 137		0030 44	154.051	1257 304 020	336 262 0023	0030 31
146.597	1250 303 088		0030 44	154.051	1257 304 020	336 262 0023	0060 31
146.598	1268 303 059		0050 40	154.053	1250 304 362	000 262 2323	0020 6
146.598	1268 303 059		0060 43	154.053	1250 304 362	000 262 2323	0020 6
146.599	1268 303 010		0050 41	154.053	1250 304 362	000 262 2323	0050 6
146.599	1268 303 010		0060 44	154.053	1250 304 362	000 262 2323	0050 6
146.601	1268 303 084		0060 43	154.053	1250 304 362	000 262 2323	0070/A 8
146.602	1268 303 058	000 263 2310	0060 43	154.054	1250 304 236	000 262 1123	0020 26
146.603	1268 303 074		0060 43	154.054	1250 304 236	000 262 1123	0020 26
146.604	1268 303 094		0060 44	154.054	1250 304 236	000 262 1123	0050 26
146.606	1268 303 085		0060 44	154.054	1250 304 236	000 262 1123	0050 26
146.607	1268 303 038	000 263 1315	0060 44	154.056	1250 304 233	000 262 1023	0020 15
146.608	1268 303 073		0060 44	154.056	1250 304 233	000 262 1023	0020 15
147.065	1250 305 033	000 263 2631	0020 45	154.056	1250 304 233	000 262 1023	0050 15
147.065	1250 305 033	000 263 2631	0030 52	154.056	1250 304 233	000 262 1023	0050 15
147.066	1250 304 140	343 262 0211	0020 34	154.056	1250 304 233	000 262 1023	0070/A 16
147.066	1250 304 140	343 262 0211	0030 37	154.056	1250 304 233	000 262 1023	0070/A 25
147.071	1268 305 009	343 263 0062	0050 45	154.056	1250 304 233	000 262 1023	0070/B 30
147.071	1268 305 009	343 263 0062	0060 52	154.056	1250 304 233	000 262 1023	0080/B 25
147.072	1268 304 008	000 262 1111	0050 34	154.056	1250 304 233	000 262 1023	0080/C 31
147.072	1268 304 008	000 262 1111	0060 37	154.057	1250 304 306	343 262 0423	0020 15
147.084	1269 305 005	000 263 1031	0080/B 40	154.058	1250 304 004	343 262 0023	0020 26
147.084	1269 305 005	000 263 1031	0080/C 48	154.064	1240 304 272	000 262 0623	0010 8
147.095	1292 305 004	000 263 3831	0090/B 48	154.064	1240 304 272	000 262 0623	0040 8
147.103	1238 305 018	000 263 1131	0005 43	154.064	1240 304 272	000 262 0623	0080/A 15
147.117	1283 305 004	000 263 1331	0070/A 43	154.064	1240 304 272	000 262 0623	0090/A 15
147.117	1283 305 004	000 263 1331	0070/B 50	154.081	1285 333 020	000 262 3923	0070/C 19
149.207	1285 334 023	000 264 2424	0070/C 24	154.090	1269 304 069	000 262 1523	0080/B 8
150.109	1285 332 006	000 264 1576	0070/C 14	154.095	1269 304 017	000 262 1423	0080/B 16
150.113	1269 332 054	000 262 0325	0080/D 14	154.099	1250 304 141	343 262 0323	0020 6
150.113	1269 332 054	000 262 0325	0090/C 14	154.099	1250 304 141	343 262 0323	0050 6
154.031	1269 333 047	000 262 4123	0080/D 20	154.100	1250 304 440	000 262 3723	0020 6
154.031	1269 333 047	000 262 4123	0090/C 20	154.100	1250 304 440	000 262 3723	0050 6
154.032	1272 304 077	000 262 1923	0030 9	154.100	1250 304 440	000 262 3723	0070/A 8
154.032	1272 304 077	000 262 1923	0030 22	154.101	1250 304 441	000 262 3823	0020 15
154.032	1272 304 077	000 262 1923	0060 9	154.101	1250 304 441	000 262 3823	0050 15
154.032	1272 304 077	000 262 1923	0060 22	154.101	1250 304 441	000 262 3823	0070/A 16

All original equipment manufacturers numbers, symbols, pictures, models and description used in this catalogue are for reference only, and it is not implied that any part listed is the product of these manufacturers. Tutti i nostri particolari non sono originali ma con essi intercambiabili. I riferimenti originali, le figure, i modelli sono esposti a semplice titolo indicativo. La nostra produzione riporta il nostro marchio.

CEI Index

CEI no.	ZF no.	MB no.	Tav. Fig.	CEI no.	ZF no.	MB no.	Tav. Fig.
154.102	1292 304 025	000 262 3523	0090/B 31	155.102	1268 304 136	000 262 0745	0020 36
154.117	1262 304 036	000 262 5723	0005 7	155.102	1268 304 136	000 262 0745	0030 39
154.118	1238 304 390	000 262 5823	0005 21	155.102	1268 304 136	000 262 0745	0050 36
154.118	1238 304 390	000 262 5823	0005 27	155.102	1268 304 136	000 262 0745	0060 39
154.367	1246 304 237	000 262 5223	0020 26	155.113	1269 338 020	000 264 0945	0050 36
154.367	1246 304 237	000 262 5223	0050 26	155.113	1269 338 020	000 264 0945	0060 39
154.368	1272 339 003	000 262 2223	0070/C 34	155.113	1269 338 020	000 264 0945	0080/D 26
154.369	1269 339 003	000 262 1323	0080/D 32	155.113	1269 338 020	000 264 0945	0090/C 26
154.369	1269 339 003	000 262 1323	0090/C 33	155.123	1272 304 075	000 262 2135	0070/B 22
155.060	1272 304 078	000 262 2235	0030 8	155.126	1272 333 020	000 262 2335	0070/C 18
155.060	1272 304 078	000 262 2235	0060 8	155.132	1269 338 028	000 264 0845	0030 39
155.060	1272 304 078	000 262 2235	0060 8	155.132	1269 338 028	000 264 0845	0050 36
155.060	1272 304 078	000 262 2235	0070/B 9	155.132	1269 338 028	000 264 0845	0060 39
155.061	1250 304 396	000 262 3035	0030 21	155.132	1269 338 028	000 264 0845	0080/D 26
155.061	1250 304 396	000 262 3035	0060 21	155.132	1269 338 028	000 264 0845	0090/C 26
155.062	1250 304 401	000 262 2935	0030 30	155.136	1269 304 016	000 262 1027	0080/B 15
155.075	1250 304 107	343 262 0145	0020 36	155.137	1285 338 005	000 264 1545	0070/C 29
155.075	1250 304 107	343 262 0145	0030 39	155.138	1285 338 004	000 262 1045	0070/C 29
155.075	1250 304 107	343 262 0145	0050 36	155.139	1246 304 136	000 262 1627	0070/A 24
155.075	1250 304 107	343 262 0145	0060 39	155.139	1246 304 136	000 262 1627	0070/B 29
155.076	1250 304 185	343 262 0427	0020 7	155.141	1272 304 135	000 262 4135	0070/B 9
155.076	1250 304 185	343 262 0427	0020 7	155.142	1272 304 130	000 262 4035	0070/B 22
155.076	1250 304 185	343 262 0427	0050 7	155.143	1272 304 124	000 262 1927	0020 7
155.076	1250 304 185	343 262 0427	0050 7	155.143	1272 304 124	000 262 1927	0050 7
155.076	1250 304 185	343 262 0427	0070/A 7	155.143	1272 304 124	000 262 1927	0070/A 7
155.077	1250 304 234	343 262 0527	0020 16	155.153	1272 304 125	000 262 2027	0070/A 15
155.077	1250 304 234	343 262 0527	0020 16	155.155	1238 304 334		0005 36
155.077	1250 304 234	343 262 0527	0050 16	155.156	1238 304 584	000 262 4835	0005 8
155.077	1250 304 234	343 262 0527	0050 16	155.157	1238 304 520	000 262 5035	0005 22
155.077	1250 304 234	343 262 0527	0070/A 15	155.158	1238 204 017	000 262 4935	0005 28
155.078	1250 304 235	000 262 1527	0020 25	155.167	1269 338 026		0080/D 26
155.078	1250 304 235	000 262 1527	0020 25	155.167	1269 338 026		0090/C 26
155.079	1250 204 008	366 260 0017	0020 36	155.178	1268 304 143	000 262 1835	0060 8
155.079	1250 204 008	366 260 0017	0030 39	155.226	1250 304 454	000 262 2427	0020 16
155.079	1250 204 008	366 260 0017	0050 36	155.226	1250 304 454	000 262 2427	0050 16
155.079	1250 204 008	366 260 0017	0060 39	155.227	1268 304 246	000 262 2327	0050 25
155.081	1268 304 006	000 262 0827	0050 25	156.025	0732 020 030	336 264 0893	0010 6A
155.081	1268 304 006	000 262 0827	0050 25	156.025	0732 020 030	336 264 0893	0030 7
155.090	1250 312 323	000 262 3635	0010 7	156.025	0732 020 030	336 264 0893	0040 6A
155.090	1250 312 323	000 262 3635	0040 7	156.025	0732 020 030	336 264 0893	0060 7
155.090	1250 312 323	000 262 3635	0080/A 11	156.025	0732 020 030	336 264 0893	0070/B 8A
155.090	1250 312 323	000 262 3635	0090/A 11	156.025	0732 020 030	336 264 0893	0080/A 10
155.091	1268 304 150	000 262 3135	0060 30	156.025	0732 020 030	336 264 0893	0080/C 10

Date

05 / 2006

Table

Index

CEI no.	ZF no.	MB no.	Tav. Fig.	CEI no.	ZF no.	MB no.	Tav. Fig.
156.025	0732 020 030	336 264 0893	0090/A 10	157.080	1269 304 129	000 262 2635	0080/C 23
156.025	0732 020 030	336 264 0893	0090/B 10	157.081	1269 304 071	000 262 0927	0080/B 24
156.036	0732 040 386	336 264 0793	0010 10	157.081	1269 304 071	000 262 0927	0080/C 30
156.036	0732 040 386	336 264 0793	0030 12	157.082	1286 304 022	000 262 0910	0080/B 31
156.036	0732 040 386	336 264 0793	0040 10	157.082	1286 304 022	000 262 0910	0080/C 38
156.036	0732 040 386	336 264 0793	0060 12	157.082	1286 304 022	000 262 0910	0090/B 38
156.036	0732 040 386	336 264 0793	0070/B 13	157.095	1292 304 041	000 262 3735	0090/B 11
156.036	0732 040 386	336 264 0793	0070/C 21	157.101	1269 304 018	000 262 1127	0080/B 7
156.036	0732 040 386	336 264 0793	0080/A 13	157.102	1285 304 038	000 262 2210	0070/A 31
156.036	0732 040 386	336 264 0793	0080/C 13	157.102	1285 304 038	000 262 2210	0070/B 37
156.036	0732 040 386	336 264 0793	0090/A 13	157.115	1269 333 057	000 263 0835	0080/D 19
156.036	0732 040 386	336 264 0793	0090/B 13	157.115	1269 333 057	000 263 0835	0090/C 19
156.037	0732 040 385	336 264 0693	0010 11	157.116	1292 304 052	000 262 3835	0090/B 23
156.037	0732 040 385	336 264 0693	0030 13	157.117	1292 304 026	000 262 1827	0090/B 30
156.037	0732 040 385	336 264 0693	0040 11	157.705	1269 339 015	000 262 1210	0080/D 36
156.037	0732 040 385	336 264 0693	0060 13	160.116	1240 304 278	336 264 0239	0010 9
156.037	0732 040 385	336 264 0693	0070/B 14	160.116	1240 304 278	336 264 0239	0030 11
156.037	0732 040 385	336 264 0693	0070/C 22	160.116	1240 304 278	336 264 0239	0040 9
156.037	0732 040 385	336 264 0693	0080/A 14	160.116	1240 304 278	336 264 0239	0060 11
156.037	0732 040 385	336 264 0693	0080/C 14	160.116	1240 304 278	336 264 0239	0070/B 12
156.037	0732 040 385	336 264 0693	0090/A 14	160.116	1240 304 278	336 264 0239	0080/A 12
156.037	0732 040 385	336 264 0693	0090/B 14	160.116	1240 304 278	336 264 0239	0080/C 12
156.120	0732 040 736	002 993 7501	0080/D 24	160.116	1240 304 278	336 264 0239	0090/A 12
156.120	0732 040 736	002 993 7501	0090/C 24	160.116	1240 304 278	336 264 0239	0090/B 12
156.124	0732 040 497	343 264 0993	0020 19	160.126	1269 328 234	000 263 0140	0080/D 22
156.124	0732 040 497	343 264 0993	0050 19	160.126	1269 328 234	000 263 0140	0090/C 22
156.124	0732 040 497	343 264 0993	0070/A 18	160.127	1285 333 007	000 262 0840	0070/C 20
156.124	0732 040 497	343 264 0993	0070/A 27	160.143	1249 304 222	000 262 0674	0005 10
156.124	0732 040 497	343 264 0993	0070/B 32	160.151	0631 329 048	001481 005026	0070/C 4
156.124	0732 040 497	343 264 0993	0080/B 18	160.151	0631 329 048	001481 005026	0080/D 5
156.124	0732 040 497	343 264 0993	0080/B 27	160.151	0631 329 048	001481 005026	0090/C 5
156.124	0732 040 497	343 264 0993	0080/C 33	160.152	0631 329 016	001481 003021	0070/C 5
156.124	0732 040 497	343 264 0993	0090/B 33	160.152	0631 329 016	001481 003021	0080/D 4
156.125	0732 040 929	003 993 9201	0080/D 23	160.152	0631 329 016	001481 003021	0090/C 4
156.125	0732 040 929	003 993 9201	0090/C 23	169.234	0730 150 064	343 263 0062	0020 44
156.140	0732 040 409	005 993 6101	0005 9	169.234	0730 150 064	343 263 0062	0030 48
156.150	1203 321 009	002 993 1801	0020 9	169.234	0730 150 064	343 263 0062	0050 44
156.150	1203 321 009	002 993 1801	0020 27	169.234	0730 150 064	343 263 0062	0060 48
156.150	1203 321 009	002 993 1801	0050 9	169.234	0730 150 064	343 263 0062	0070/A 41
156.150	1203 321 009	002 993 1801	0050 27	169.234	0730 150 064	343 263 0062	0070/B 48
156.150	1203 321 009	002 993 1801	0070/A 9A	169.234	0730 150 064	343 263 0062	0080/B 38
156.150	1203 321 009	002 993 1801	0080/B 9A	169.234	0730 150 064	343 263 0062	0080/C 46
157.079	1269 304 128	000 262 2735	0080/C 11	169.234	0730 150 064	343 263 0062	0090/B 46

All original equipment manufacturers numbers, symbols, pictures, models and description used in this catalogue are for reference only, and it is not implied that any part listed is the product of these manufactures.
Tutti i nostri particolari non sono originali ma con essi intercambiabili. I riferimenti originali, le figure, i modelli sono esposti a semplice titolo indicativo. La nostra produzione riporta il nostro marchio.

CEI Index

CEI no.	ZF no.	MB no.	Tav. Fig.	CEI no.	ZF no.	MB no.	Tav. Fig.
169.396	0501 304 692	002 264 5152	0070/C 6	188.070	1240 304 117	343 262 0062	0060 40
169.397	0730 103 102	002 264 5252	0070/C 7	188.070	1240 304 117	343 262 0062	0070/C 30
169.408	0501 305 887	003 264 2252	0080/D 6	188.070	1240 304 117	343 262 0062	0080/D 27
169.408	0501 305 887	003 264 2252	0090/C 6	188.070	1240 304 117	343 262 0062	0090/C 27
169.410	0730 103 846	003 264 2052	0080/D 7	188.076	1272 304 021	000 262 2762	0070/A 32
169.410	0730 103 846	003 264 2052	0090/C 7	188.076	1272 304 021	000 262 2762	0070/B 38
169.437	1238 304 223	000 262 2662	0005 15	188.096	1238 304 394	000 262 0018	0005 11
169.438	1238 304 317	000 262 2562	0005 32	188.212	1269 304 070	000 262 2362	0080/B 32
169.443	1250 305 006	000 263 0650	0020 47	188.212	1269 304 070	000 262 2362	0080/C 39
169.443	1250 305 006	000 263 0650	0030 50	188.212	1269 304 070	000 262 2362	0090/B 39
169.443	1250 305 006	000 263 0650	0050 47	190.150	1269 212 006	000 260 0920	0080/A 3
169.443	1250 305 006	000 263 0650	0060 50	190.150	1269 212 006	000 260 0920	0090/A 3
169.458	1229 305 004	000 263 0362	0005 45	190.151	1269 298 909	000 264 2205	0080/A 19
169.459	1203 304 037	000 262 1353	0005 34	190.151	1269 298 909	000 264 2205	0090/A 19
171.014	0635 460 010	002 981 5685	0020 8	190.182	1285 232 003	000 260 0661	0070/C 1
171.014	0635 460 010	002 981 5685	0020 18	190.185	1269 202 913	000 260 1120	0080/B 3
171.014	0635 460 010	002 981 5685	0020 28	190.185	1269 202 913	000 260 1120	0080/C 3
171.014	0635 460 010	002 981 5685	0050 8	190.187	1272 298 909	000 262 9202	0070/B 3
171.014	0635 460 010	002 981 5685	0050 18	190.197	1285 212 005	000 262 0101	0090/A 3
171.014	0635 460 010	002 981 5685	0050 28	190.198	1269 298 942	000 260 1820	0090/B 3
171.014	0635 460 010	002 981 5685	0070/A 9	190.202	1272 298 904	000 262 6102	0070/A 3
171.014	0635 460 010	002 981 5685	0070/A 17	190.202	1272 298 904	000 262 6102	0070/B 3
171.014	0635 460 010	002 981 5685	0070/A 26	190.204	1272 298 918	001 262 0502	0070/B 3
171.014	0635 460 010	002 981 5685	0070/B 31	190.398	1272 298 911		0070/A 3
171.014	0635 460 010	002 981 5685	0080/B 9	190.399	1272 232 014	000 260 1661	0070/C 2
171.014	0635 460 010	002 981 5685	0080/B 17	190.400	1272 237 008	000 260 1161	0070/C 36
171.014	0635 460 010	002 981 5685	0080/B 26	190.401	1272 237 007	000 260 1061	0070/C 36
171.014	0635 460 010	002 981 5685	0080/C 32	190.402	1269 232 041	000 260 3961	0080/D 1
171.014	0635 460 010	002 981 5685	0090/B 32	190.402	1269 232 041	000 260 3961	0090/C 1
171.015	0735 470 027	001 981 0087	0070/C 8	190.403	1269 232 037	000 260 2861	0080/D 2
171.016	0735 470 057	001 981 1187	0080/D 8	190.403	1269 232 037	000 260 2861	0090/C 2
171.016	0735 470 057	001 981 1187	0090/C 8	190.404	1269 237 013	000 260 0761	0080/D 34
187.245	0737 502 168	343 990 0360	0020 4	190.405	1269 237 012	000 260 0861	0080/D 34
187.245	0737 502 168	343 990 0360	0030 4	190.405	1269 237 012	000 260 0861	0090/C 35
187.245	0737 502 168	343 990 0360	0050 4	197.067	1268 304 148	000 264 1445	0020 36
187.245	0737 502 168	343 990 0360	0060 4	197.067	1268 304 148	000 264 1445	0050 36
187.343	0737 502 152	000 990 1360	0080/B 6A	197.067	1268 304 148	000 264 1445	0060 39
187.343	0737 502 152	000 990 1360	0080/C 7	197.137	1269 238 015	000 260 0817	0070/C 45
187.343	0737 502 152	000 990 1360	0090/B 7	197.137	1269 238 015	000 260 0817	0080/D 38
187.453	1203 304 020	325 990 0055	0005 37	197.137	1269 238 015	000 260 0817	0090/C 43
188.070	1240 304 117	343 262 0062	0020 37	197.138	1269 339 048	000 260 0717	0070/C 32
188.070	1240 304 117	343 262 0062	0030 40	197.138	1269 339 048	000 260 0717	0080/D 42
188.070	1240 304 117	343 262 0062	0050 37	197.138	1269 339 048	000 260 0717	0090/C 31

Date

05 / 2006

Table

Index

CEI no.	ZF no.	MB no.	Tav. Fig.	CEI no.	ZF no.	MB no.	Tav. Fig.
197.139	1269 338 035	000 262 3002	0080/D 37	198.515	1269 298 979		0090/C 30B
197.139	1269 338 035	000 262 3002	0090/C 42	198.564	CEI 198564		0010 21
198.337	1285 232 901	000 260 0397	0070/C 10	198.564	CEI 198564		0030 54
198.339	1268 298 938	CEI 198339	0010 20	198.564	CEI 198564		0040 21
198.339	1268 298 938	CEI 198339	0030 53	198.564	CEI 198564		0060 54
198.339	1268 298 938	CEI 198339	0040 20	198.564	CEI 198564		0070/B 53
198.339	1268 298 938	CEI 198339	0060 53	198.564	CEI 198564		0080/A 24
198.339	1268 298 938	CEI 198339	0070/B 52	198.564	CEI 198564		0080/C 51
198.339	1268 298 938	CEI 198339	0080/A 23	198.564	CEI 198564		0090/A 24
198.339	1268 298 938	CEI 198339	0080/C 50	198.564	CEI 198564		0090/B 51
198.339	1268 298 938	CEI 198339	0090/A 23	198.717	1269 298 980		0080/D 30C
198.339	1268 298 938	CEI 198339	0090/B 50	198.717	1269 298 980		0090/C 30C
198.371	1286 298 902	000 260 1197	0080/D 10	198.757	1269 298 978		0070/C 31
198.371	1286 298 902	000 260 1197	0090/C 10	198.842	1295 298 933		0010 22
198.414	1269 298 958	000 262 0606	0080/D 9	198.842	1295 298 933		0030 55
198.414	1269 298 958	000 262 0606	0090/C 9	198.842	1295 298 933		0040 22
198.417	1250 298 907	CEI 198417	0010 23	198.842	1295 298 933		0060 55
198.417	1250 298 907	CEI 198417	0020 49	198.842	1295 298 933		0070/B 54
198.417	1250 298 907	CEI 198417	0030 56	198.842	1295 298 933		0080/A 25
198.418	1250 298 910	CEI 198418	0010 24	198.842	1295 298 933		0080/C 52
198.418	1250 298 910	CEI 198418	0020 50	198.842	1295 298 933		0090/A 25
198.418	1250 298 910	CEI 198418	0030 57	198.842	1295 298 933		0090/B 52
198.419	1268 298 903		0040 23	198.966	CEI 198966		0080/D 30A
198.419	1268 298 903		0050 49	198.966	CEI 198966		0090/C 30A
198.419	1268 298 903		0060 56	280.303	1269 202 104	000 260 1090	0070/A 1
198.420	1268 298 904	CEI 198420	0040 24	280.303	1269 202 104	000 260 1090	0070/B 1
198.420	1268 298 904	CEI 198420	0050 50	280.303	1269 202 104	000 260 1090	0080/A 1
198.420	1268 298 904	CEI 198420	0060 57	280.303	1269 202 104	000 260 1090	0080/B 1
198.421	1269 298 928	CEI 198421	0080/A 26	280.303	1269 202 104	000 260 1090	0080/C 1
198.421	1269 298 928	CEI 198421	0080/B 42	280.303	1269 202 104	000 260 1090	0090/A 1
198.421	1269 298 928	CEI 198421	0080/C 53	280.303	1269 202 104	000 260 1090	0090/B 1
198.421	1269 298 928	CEI 198421	0090/A 26	280.348	1295 202 041	000 260 1290	0070/A 1
198.421	1269 298 928	CEI 198421	0090/B 53	280.348	1295 202 041	000 260 1290	0070/B 1
198.422	1269 298 933	CEI 198422	0080/A 27	280.348	1295 202 041	000 260 1290	0080/A 1
198.422	1269 298 933	CEI 198422	0080/B 43	280.348	1295 202 041	000 260 1290	0080/B 1
198.422	1269 298 933	CEI 198422	0080/C 54	280.348	1295 202 041	000 260 1290	0080/C 1
198.422	1269 298 933	CEI 198422	0090/A 27	280.348	1295 202 041	000 260 1290	0090/A 1
198.422	1269 298 933	CEI 198422	0090/B 54	280.348	1295 202 041	000 260 1290	0090/B 1
198.447	CEI 198447		0080/D 11	280.366	0750 132 009	000 260 5363	0080/D 29
198.447	CEI 198447		0090/C 11	280.366	0750 132 009	000 260 5363	0090/C 29
198.448	CEI 198448	CEI 198448	0070/C 11	280.630	0750 132 019	000 260 4663	0070/C 25
198.449	1272 298 925	000 262 0006	0070/C 9	280.630	0750 132 019	000 260 4663	0080/D 29
198.515	1269 298 979		0080/D 30B	280.630	0750 132 019	000 260 4663	0090/C 29

All original equipment manufacturers numbers, symbols, pictures, models and description used in this catalogue are for reference only, and it is not implied that any part listed is the product of these manufactures.
Tutti i nostri particolari non sono originali ma con essi intercambiabili. I riferimenti originali, le figure, i modelli sono esposti a semplice titolo indicativo. La nostra produzione riporta il nostro marchio.

Ai Clienti / Importatori / Distributori prodotti C.E.I. S.p.A.:

“CONFORMITA’ A LEGGI E/O REGOLAMENTI SPECIFICI DELLA NAZIONE IMPORTATRICE”

C.E.I. S.p.A. assicura che i propri prodotti sono conformi alle Leggi e Regolamenti del Mercato Europeo e declina ogni responsabilità per applicazioni soggette a Leggi e Regolamenti specifici del Paese importatore, lasciando allo stesso la responsabilità di verificare la conformità del prodotto C.E.I. S.p.A. ai vincoli cogenti di Leggi e/o Regolamenti locali.

C.E.I. S.p.A. si dichiara disponibile, su richiesta del cliente, a valutare la possibilità di adeguare i propri prodotti ad eventuali specifiche esigenze che ci venissero sottoposte.

To Customer / Importers / Distributors of CEI Spa products :

“COMPLIANCE WITH LAWS AND/OR SPECIFIC REGULATIONS OF THE IMPORT COUNTRY”

C.E.I. S.p.A. ensures that its products conform to the laws and regulations of the European Community and declines any responsibility for applications subject to specific laws and regulations of the import country which is responsible to ascertain the conformity of CEI S.p.A. products to the local laws and/or regulations in force.

C.E.I. S.p.A. is available to evaluate the possibility of adapting its products for specific applications on request, should the need arise from any customer.

Aux clients / importateurs / distributeurs produits C.E.I. S.p.A.

“ CONFORMITE AUX LOIS ET/OU REGLEMENTS SPECIFIQUES DU PAYS IMPORTATEUR “

La maison C.E.I. S.p.A. assure que ses produits sont conformes aux lois et règlements de la Communauté Européenne et décline toute responsabilité pour d'applications assujetties aux lois et règlements spécifiques du pays importateur , en laissant aux mêmes la responsabilité de vérifier la conformité du produit CEI aux obligations de lois et/ou règlements en vigueur propres du pays .

La maison C.E.I. S.p.A. se déclare disposée, sur requête du client, à évaluer la possibilité de conformer ses produits à d'éventuelles exigences spécifiques qui soient demandées.

A los clientes/importadores/distribidores del los productos CEI S.p.A.

“ CONFORMIDAD A LAS LEYES Y/O LAS REGLAMENTACIONES ESPECIFICAS DE LA NACION IMPORTADORA “

CEI S.p.A certifica que sus productos están conformes con la leyes y las reglamentaciones del Mercado Europeo y declina cada responsabilidad por aplicaciones sujetas a leyes y reglamentaciones específicos del país importador, dejando al mismo la responsabilidad de averiguar la conformidad del producto CEI con los vinculos en vigencia de leyes y/o reglamentaciones locales.

CEI está disponible, bajo petición del cliente a evaluar la posibilidad de conformar sus productos con eventuales exigencias específicas.