



Costruzione **E**miliana **I**ngranaggi



High Fidelity Spare Parts

2011
2012

n°
050

Suitable to / Adattabile a

MERCEDES



Figures part denominations references and data contained in this catalogue are not binding.
CEI reserves the right to introduce any changes at any time without prior notice.

Le figure, le denominazioni, i riferimenti ed i dati contenuti nel presente catalogo non sono impegnativi.
La CEI si riserva di apportare in ogni momento e senza preavviso tutte le variazioni che riterrà opportune.

Les figures, les dénominations, les références et les spécifications contenues dans ce catalogue ne sont pas engageantes.
La CEI se réserve le droit d'apporter à tout moment et sans préavis les variations éventuelles qu'elle croit utiles.

Die in diesem Katalog enthalten Abbildungen, Benennungen Zeichen und Angaben sind unverbindlich.
Die Firma CEI behält sich das Recht vor, jederzeit und ohne Viranzeige Änderungen vorzunehmen.

Las figuras, las denominaciones, las referencias y los datos contenidos en el presente catálogo no son empeñativos.
CEI puede hacer en cada momento y sin preaviso todas las variaciones que sean oportunas.

INTERCHANGEABILITY GUARANTY

Our spare parts are interchangeable with the originals ones; our products bear our trade-mark.
The original part numbers listed in this catalogue are for reference only.

GARANZIA DI INTERCAMBIABILITÀ

I nostri ricambi sono intercambiabili con gli originali; la nostra produzione riporta il nostro marchio.
I riferimenti originali sono esposti a semplice titolo indicativo.

GARANTIE D'INTERCHANGEABILITE

Nos pièces détachées sont interchangeables avec les originaux.
Nôtre production porte nôtre marque.
Les numeros originaux mentionnè dans ce catalogue sont seulement à titre indicatif.

AUSTAUSCHBARKEITS-GARANTIE

Unsere ersatzteile sind austauschbar mit den Originalzahnradern.
Auf unseren Erzeugnissen ist unsere Schutzmarke aufgetragen.
Die im gegenwärtigen Kalatolg genannten Originalnummern nur zum Hinweis dienen.

GARANTIA DE INTERCAMBIABILIDAD

Nuestros recambios son intercambiables con los originales.
Todos nuestros productos, llevan grabada nuestra marca.
Las referencias originales impresas en nuestro catalogo figuran exclusivamente a titulo indicativo.

Suitable To : **MERCEDES**

Gearboxes

GEARBOXES
Cambi

Intermediate Axles

INTERMEDIATE AXLES
Ponti intermedi

Rear Axles

REAR AXLES
Ponti posteriori

Hubs

HUBS
Mozzi

All original equipment manufacturers' numbers, symbols, pictures, models and description used in this catalogue are for reference only, and it is not implied that any part listed is the product of these manufacturers. Tutti i nostri particolari non sono originali ma con essi intercambiabili. I riferimenti originali, le figure, i modelli sono esposti a semplice titolo indicativo. La nostra produzione riporta il nostro marchio.

Adattabile a : **MERCEDES**

G3/50 - G3/60 - G3/61 (5 Speeds)

Models

NG (LP)

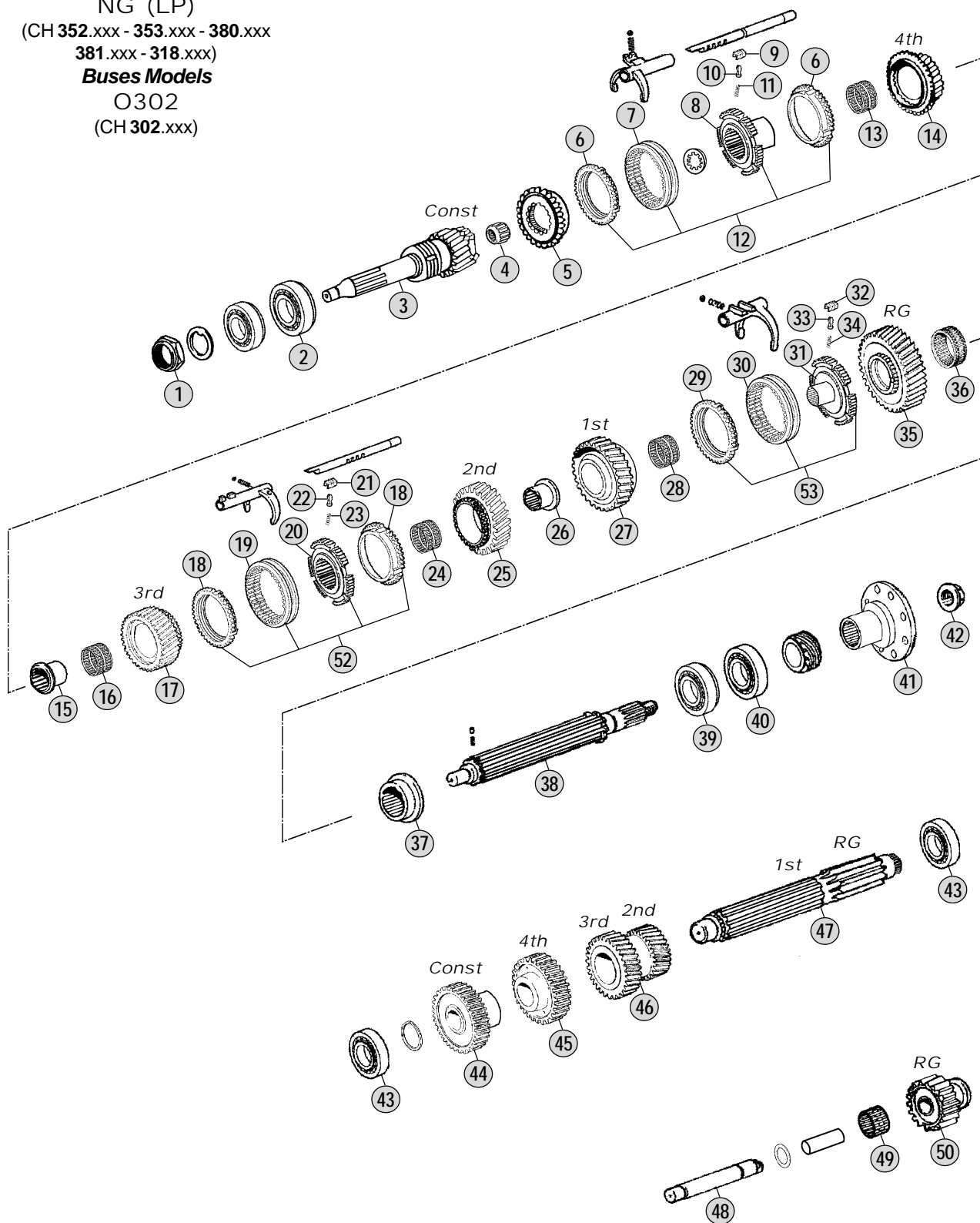
(CH 352.xxx - 353.xxx - 380.xxx

381.xxx - 318.xxx)

Buses Models

O302

(CH 302.xxx)

**Models**G3/50-5/8,5 **714.000-004-009-010-011-013-022-030-033-034-035-048-049-055-061-083**G3/60-5/7,5 **714.001-002-005-012-014-015-016-017-018-031-036-039-056-059-060-084-085-088**G3/61-5/6,1 **714.019-020-021-023-038-057**

All original equipment manufacturers' numbers, symbols, models and description used in this catalogue are for reference only, and it is not implied that any part listed is the product of these manufactures.
 Tutti i nostri particolari non sono originali ma con essi intercambiabili. I riferimenti originali, le figure, i modelli sono esposti a semplice titolo indicativo. La nostra produzione riporta il nostro marchio.

Fig.	CEI no.	Rif. MB	Description	Q.ty	Note						
						G3/50	G3/60	G3/61			
1	187.527	385 990 0351	Grooved Nut	1		●	●	●			
2	130.831	001 981 1701	Bearing	1		●	●	●			
3	102.526	381 262 0002	Input Shaft 16 T	1	Up to 014575	●					
3	102.189	381 262 0102	Input Shaft 16 T	1	From 014576	●					
3	102.451	383 262 0302	Input Shaft 17 T	1			●				
3	102.191	383 262 0802	Input Shaft 18 T	1				●			
4	130.917	001 981 0712	Bearing	1		●					
4	130.584	001 981 9412	Bearing 31x51x30,8	1			●				
4	137.330	001 981 9312	Needle Cage	1				●			
5	109.123	383 262 0134	Synchronizer Cone	1		●	●	●			
6	119.102	381 262 0037	Synchronizer Ring	2		●	●	●			
7	154.385	381 262 0023	Sliding Sleeve	1		●	●	●			
8	155.182	381 262 0035	Synchronizer Hub	1		●	●				
8	155.258	302 262 0535	Synchronizer Hub	1				●			
9	188.141	337 262 0140	Slide	3		●	●	●			
10	160.178	302 262 0174	Pin	3		●	●	●			
11	156.167	302 993 0901	Spring 6,50x25,50	3		●	●	●			
12	298.190	381 260 0345	Synchro Kit	1		●	●				
13	137.217	000 981 6712	Needle Cage	1				●			
14	196.224	381 260 1744	Gear 4th Speed 19 T	1		●	●				
14	146.692	307 260 4244	Gear 4th Speed 23 T	1				●			
15	117.421	337 262 2250	Bush H=42,10 mm	1		●	●	●			
15	117.271	337 262 2150	Bush H=42.00 mm	1		●	●	●			
16	137.322	327 981 0112	Needle Cage	1		●	●	●			
17	196.223	302 260 1544	Gear 3rd Speed 25 T	1		●	●				
17	196.210	302 260 1644	Gear 3rd Speed 28 T	1				●			
18	119.102	381 262 0037	Synchronizer Ring	2		●	●	●			
19	154.385	381 262 0023	Sliding Sleeve	1		●	●	●			
20	157.161	381 262 0135	Synchronizer Hub	1		●	●	●			
21	188.141	337 262 0140	Slide	3		●	●	●			
22	160.178	302 262 0174	Pin	3		●	●	●			
23	156.167	302 993 0901	Spring 6,50x25,50	3		●	●	●			
24	137.323	001 981 4612	Needle Cage	1		●	●	●			
25	196.222	302 262 0312	Gear 2nd Speed 32 T	1		●	●	●			
26	117.269	383 262 1450	Bush H=50.60 mm	1		●	●	●			
26	117.424	383 262 1350	Bush H=50,50 mm	1		●	●	●			
27	196.221	383 260 0142	Gear 1st Speed 39 T	1		●	●	●			
28	137.325	001 981 4012	Needle Cage	1		●	●	●			
29	119.102	381 262 0037	Synchronizer Ring	1		●	●	●			
30	154.156	383 262 0023	Sliding Sleeve	1		●	●	●			
31	155.181	383 262 0235	Synchronizer Hub	1		●	●	●			
32	160.266	383 262 0040	Slide	3		●	●	●			
33	160.178	302 262 0174	Pin	3		●	●	●			
34	156.167	302 993 0901	Spring 6,50x25,50	3		●	●	●			
35	147.264	383 262 0033	Reverse Gear 36 T	1		●	●	●			

Notes

Date

04/ 2011

Table

0010

All original equipment manufacturers numbers, symbols, pictures, models and description used in this catalogue are for reference only, and it is not implied that any part listed is the product of these manufactures.
Tutti i nostri particolari non sono originali ma con essi intercambiabili. I riferimenti originali, le figure, i modelli sono esposti a semplice titolo indicativo. La nostra produzione riporta il nostro marchio.

Adattabile a : **MERCEDES**

G3/50 - G3/60 - G3/61 (5 Speeds)

Models

NG (LP)

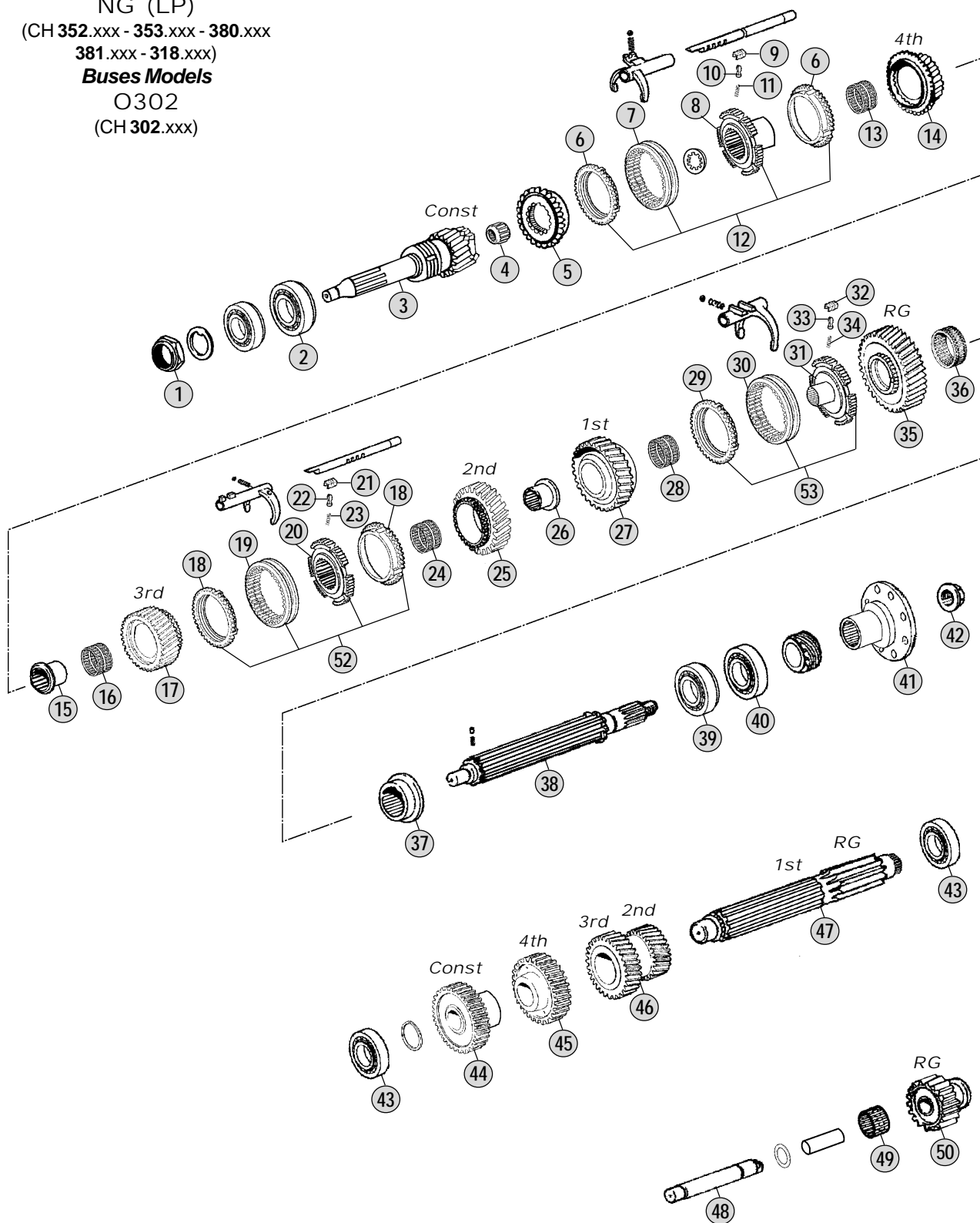
(CH 352.xxx - 353.xxx - 380.xxx

381.xxx - 318.xxx)

Buses Models

O302

(CH 302.xxx)



All original equipment manufacturers' numbers, symbols, models and description used in this catalogue are for reference only, and it is not implied that any part listed is the product of these manufacturers. Tutti i nostri particolari non sono originali ma con essi intercambiabili. I riferimenti originali, le figure, i modelli sono esposti a semplice titolo indicativo. La nostra produzione riporta il nostro marchio.

Models

G3/50-5/8,5 714.000-004-009-010-011-013-022-030-033-034-035-048-049-055-061-083

G3/60-5/7,5 714.001-002-005-012-014-015-016-017-018-031-036-039-056-059-060-084-085-088

G3/61-5/6,1 714.019-020-021-023-038-057

Fig.	CEI no.	Rif. MB	Description	Q.ty	Note	G3/50	G3/60	G3/61		
36	137.326	001 981 4112	Needle Cage	1		●	●	●		
37	117.422	383 262 0750	Bush H=28,30 mm	1		●	●	●		
37	117.270	383 262 0850	Bush H=28,40 mm	1		●	●	●		
37	117.423	383 262 0950	Bush H=28,50 mm	1		●	●	●		
38	103.116	381 262 0005	Main Shaft	1		●				
38	103.241	383 262 0005	Main Shaft	1			●			
38	103.102	337 262 0505	Main Shaft	1				●		
39	130.854	000 981 1201	Bearing	1		●	●	●		
40	130.855	000 981 2927	Bearing	1		●	●	●		
41	155.175	352 262 0045	Output Flange D.130	1		●	●	●		
41	155.188	322 262 0045	Output Flange D.120	1		●	●	●		
42	187.493	322 262 0072	Nut	1		●	●	●		
43	130.573	001 981 3105	Bearing 40x90x26	2		●	●	●		
44	146.325	302 263 0410	Constant Gear 38 T	1		●				
44	146.326	383 263 0010	Constant Gear 36 T	1			●			
44	146.684	307 263 0110	Constant Gear 31 T	1				●		
45	146.324	302 263 0314	Gear 4th Speed 29 T	1		●	●			
45	146.300	307 263 0614	Gear 4th Speed 27 T	1				●		
46	143.082	302 263 0313	Double Gear 2nd/3rd Speed 17/23T	1		●	●			
46	143.078	307 263 0513	Double Gear 2nd/3rd Speed 17/22T	1				●		
47	105.235	383 263 0202	Countershaft 11 T	1		●	●	●		
48	107.229	383 263 0230	Reverse Pin	1		●	●	●		
49	137.342	022 981 4510	Needle Cage	1		●	●	●		
50	147.114	383 263 0031	Reverse Gear 20 T	1		●	●	●		
52	198.677	381 260 0145	Synchro kit 3rd/2nd Speed	1		●	●	●		
53	298.191	383 260 0145	Synchro kit 1st Speed R.G.	1		●	●	●		

Notes

Date

04/ 2011

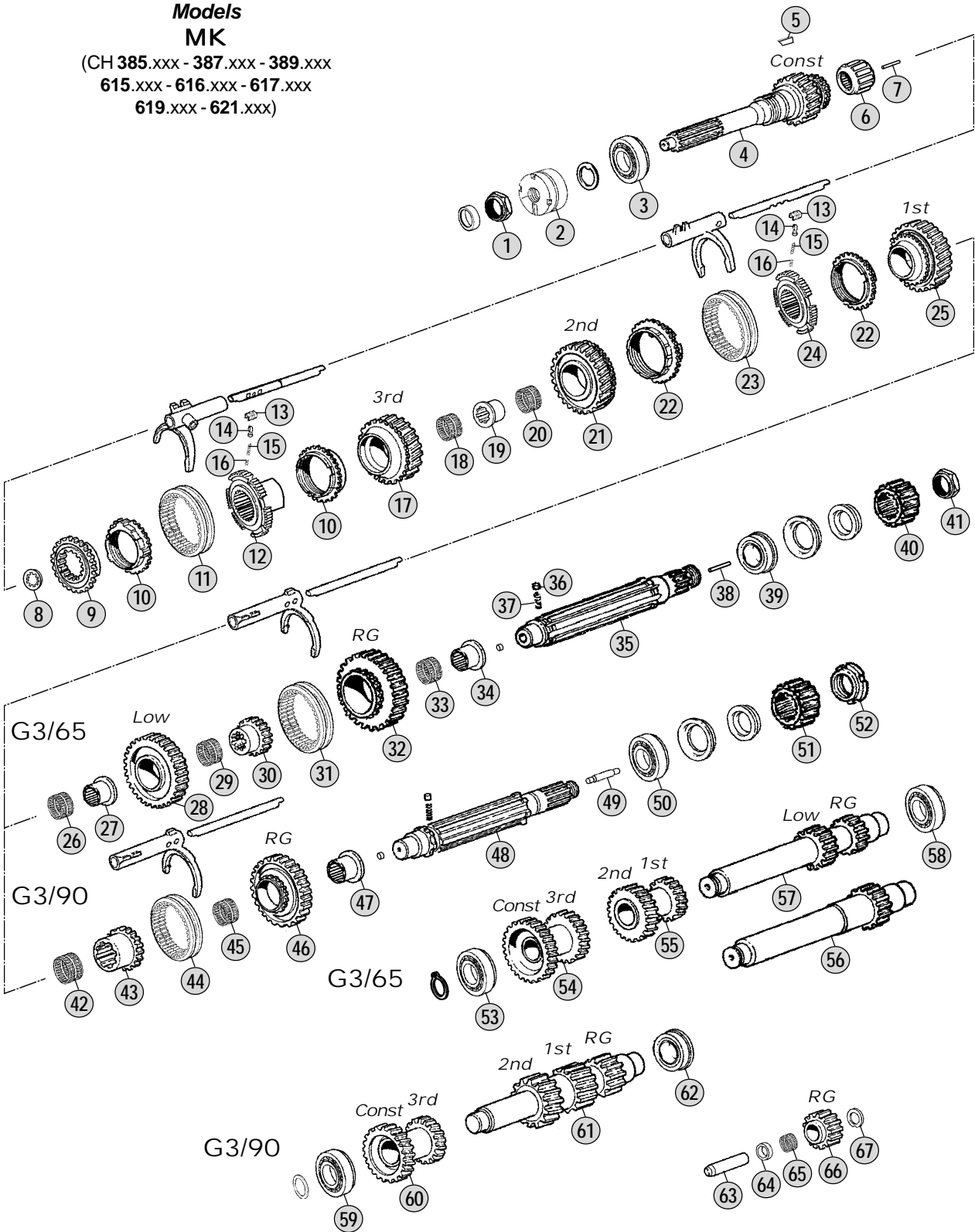
Table

Adattabile a : **MERCEDES**
Suitable To :

Modelli Cambio/ Gearbox Models
G3/65 - G3/90 (8 Speeds)

**Models
MK**

(CH 385.xxx - 387.xxx - 389.xxx
615.xxx - 616.xxx - 617.xxx
619.xxx - 621.xxx)



All original equipment manufacturers' numbers, symbols, pictures, models and description used in this catalogue are for reference only, and it is not implied that any part listed is the product of these manufactures. Tutti i nostri particolari non sono originali ma con essi intercambiabili. I riferimenti originali, le figure, i modelli sono esposti a semplice titolo indicativo. La nostra produzione riporta il nostro marchio.

Models

G3/65 - 8/9,29 714.200-201-202-207-213-230-234-235-239-305-306-333

G3/90 - 8/9,29 714.300-301-302-303-305-306-330-331-332-333-334



Fig.	CEI no.	Rif. MB	Description	Q.ty	Note	G3/65	G3/90			
1	187.527	385 990 0351	Grooved Nut	1		●	●			
2	280.708	385 260 0290	Oil Pump	1	(A)	●				
2	280.709	385 260 0390	Oil Pump	1	(B)	●				
2	280.709	385 260 0390	Oil Pump	1			●			
3	130.576	008 981 9501	Bearing	1		●	●			
4	102.194	385 262 0802	Input Shaft 23 T	1	(A)(1)	●				
4	102.196	385 262 2502	Input Shaft 23 T	1	(B)(1)	●				
4	102.195	385 262 1002	Input Shaft 23 T	1	(A)(2)	●				
4	102.197	385 262 2602	Input Shaft 23 T	1	(B)(2)	●				
4	102.468	385 262 2402	Input Shaft 23 T	1	(3)		●			
4	102.467	385 262 2702	Input Shaft	1	(4)		●			
4	102.469	385 262 3202	Input Shaft	1	(5)		●			
5	188.237	006888 003007	Key	1		●	●			
6	137.330	001 981 9312	Needle Cage	1		●				
6	137.331	001 981 9612	Needle Cage	1			●			
7	188.239	385 262 0353	Oil Plug	1	(A)	●				
7	188.240	385 269 0034	Oil Plug	1	(B)	●				
7	188.240	385 269 0034	Oil Plug	1			●			
8	169.667	317 262 4262	Washer	1		●	●			
8	269.347	317 262 4462	Washer	1		●	●			
8	269.348	317 262 4662	Washer	1		●	●			
8	269.349	317 262 4862	Washer	1		●	●			
8	269.350	317 262 5062	Washer	1		●	●			
9	109.125	385 262 0434	Synchronizer Cone	1		●				
9	109.811	385 262 1434	Synchronizer Cone	1			●			
10	119.111	425 262 0137	Synchronizer Ring	2		●	●			
11	154.385	381 262 0023	Sliding Sleeve	1		●	●			
12	157.156	385 262 0235	Synchronizer Hub	1		●				
12	157.742	385 262 0835	Synchronizer Hub	1			●			
13	188.141	337 262 0140	Slide	3	x 2	●	●			
14	160.178	302 262 0174	Pin	3	x 2	●	●			
15	156.196	385 993 2201	Spring	3	x 2	●	●			
16	156.167	302 993 0901	Spring 6,50x25,50	3	x 2	●	●			
17	196.176	385 260 1544	Gear 3rd Speed 27 T	1		●				
17	244.055	385 260 0944	Gear 3rd Speed 27 T	1			●			
18	137.332	001 981 2512	Needle Cage	1		●				
18	137.333	001 981 3512	Needle Cage	1			●			
19	117.274	385 262 0450	bush H= 46.40 mm	1		●				
19	117.425	385 262 2050	Bush	1			●			
20	137.217	000 981 6712	Needle Cage	1		●				
20	137.332	001 981 2512	Needle Cage	1			●			
21	196.177	385 260 1444	Gear 2nd Speed 32 T	1		●				
21	244.056	385 260 0744	Gear 2nd Speed 32 T	1			●			
22	119.111	425 262 0137	Synchronizer Ring	2		●	●			
23	154.385	381 262 0023	Sliding Sleeve	1		●	●			

8 Speeds
G3/65 - G3/90

All original equipment manufacturers numbers, symbols, pictures, models and description used in this catalogue are for reference only, and it is not implied that any part listed is the product of these manufactures.
Tutti i nostri particolari non sono originali ma con essi intercambiabili. I riferimenti originali, le figure, i modelli sono esposti a semplice titolo indicativo. La nostra produzione riporta il nostro marchio.

Notes

- (A-B) To be coupled together
 (1) For Series 714.200-202-234-239 (2) For Series 714.201-207-213-230-235
 (3) Excludes Series 714.305-306-333 (4) For Series 714.305-333
 (5) For Series 714.306
 (6) All Series Except 714.200-201-202-206-207-213-234-235
 (7) Only for the Series 714.200-20-202-206-207-213-234-235

Date

04 / 2011

Table

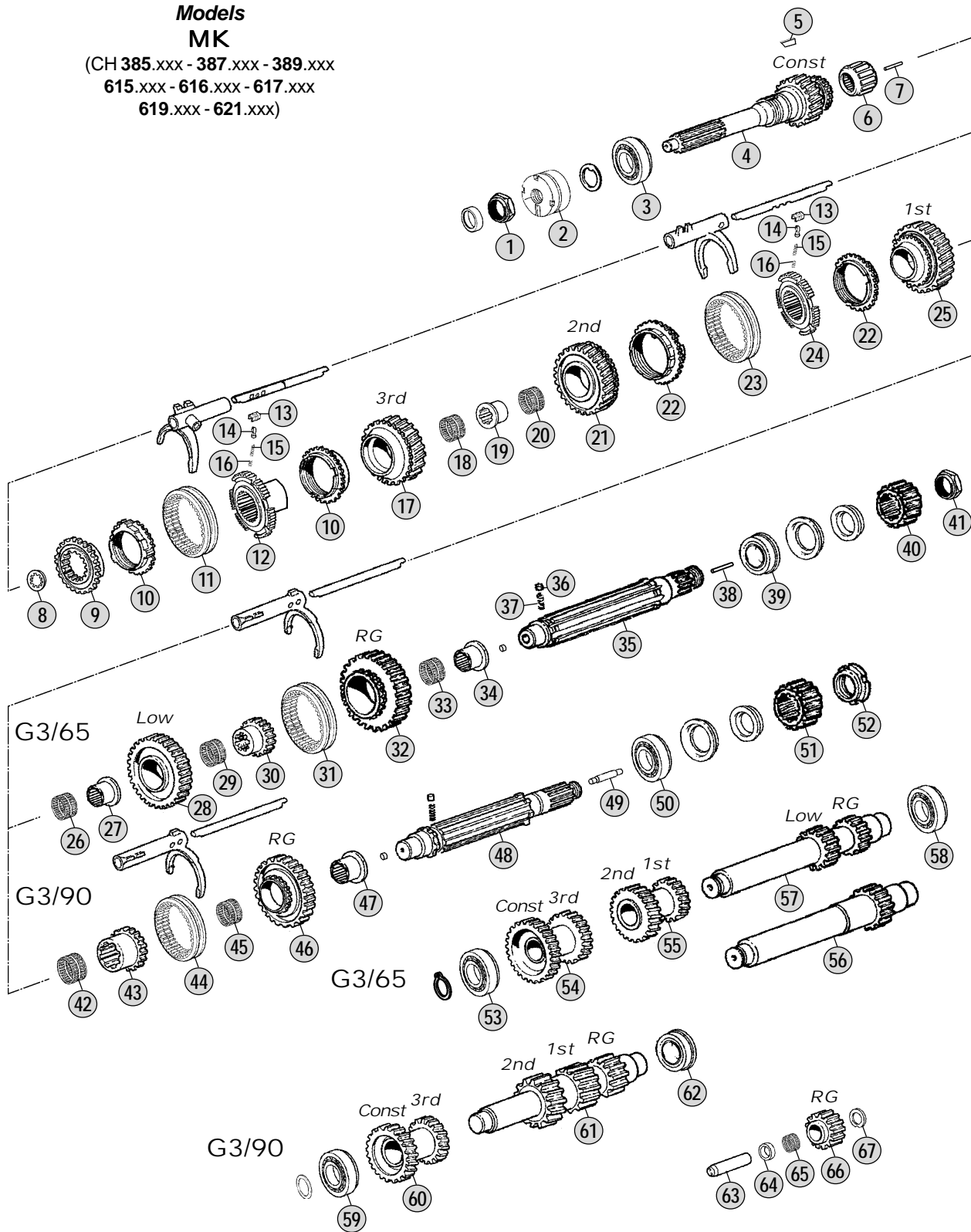
0020

Adattabile a : **MERCEDES**
Suitable To :

Modelli Cambio/ Gearbox Models
G3/65 - G3/90 (8 Speeds)

**Models
MK**

(CH 385.xxx - 387.xxx - 389.xxx
615.xxx - 616.xxx - 617.xxx
619.xxx - 621.xxx)



All original equipment manufacturers' numbers, symbols, pictures, models and description used in this catalogue are for reference only, and it is not implied that any part listed is the product of these manufactures. Tutti i nostri particolari non sono originali ma con essi intercambiabili. I riferimenti originali, le figure, i modelli sono esposti a semplice titolo indicativo. La nostra produzione riporta il nostro marchio.

Models

G3/65 - 8/9,29 714.200-201-202-207-213-230-234-235-239-305-306-333

G3/90 - 8/9,29 714.300-301-302-303-305-306-330-331-332-333-334



Fig.	CEI no.	Rif. MB	Description	Q.ty	Note	G3/65	G3/90			
24	157.161	381 262 0135	Synchronizer Hub	1		●	●			
25	145.316	385 262 0011	Gear 1st Speed 34 T	1		●				
25	244.057	385 262 0611	Gear 1st Speed 34 T	1			●			
26	137.323	001 981 4612	Needle Cage	1		●				
27	117.272	385 262 1450	Bushing H=50,50 mm	1		●				
28	145.417	385 262 0111	Low Gear 36 T	1		●				
29	137.334	001 981 3412	Needle Cage	1		●				
30	157.158	385 262 0036	Synchronizer Hub	1	(6)	●				
30	157.157	385 262 0536	Synchronizer Hub	1	(7)	●				
31	154.159	385 262 1523	Sliding Sleeve	1		●				
32	145.419	385 263 0533	Reverse Gear 30 T	1	(6)	●				
32	145.418	385 263 0133	Reverse Gear 23 T	1	(7)	●				
33	137.335	001 981 4812	Needle Cage	1		●				
34	117.273	385 262 1250	Bush H=34,50 mm	1		●				
35	103.120	385 262 0105	Main Shaft	1	(A)	●				
35	103.121	385 262 0505	Main Shaft 21 T	1	(B)	●				
36	160.270	385 262 1074	Pin	1		●				
37	156.201	312 993 1701	Spring	1		●				
38	188.241	308750 012000	Oil Plug	1		●				
39	130.576	008 981 9501	Bearing	1		●				
40	157.160	385 262 0109	Sun Gear 29 T	1		●				
41	287.039	385 262 0026	Nut	1		●				
42	137.335	001 981 4812	Needle Cage	1			●			
43	117.426	385 262 0636	Bush	1			●			
44	154.447	385 262 0623	Sliding Sleeve	1			●			
45	137.334	001 981 3412	Needle Cage	1			●			
46	147.265	385 263 0333	Reverse Gear 32 T	1			●			
47	117.427	385 262 2450	Bush H=39,10 mm	1			●			
48	103.242	385 262 0405	Main Shaft	1			●			
49	188.241	308750 012000	Oil Plug	1			●			
50	130.576	008 981 9501	Bearing	1			●			
51	157.160	385 262 0109	Sun Gear 29 T	1			●			
52	287.039	385 262 0026	Nut	1			●			
53	130.573	001 981 3105	Bearing 40x90x26	1		●				
54	143.085	385 263 0110	Double Gear 4th/5th Speed 19/33 T	1		●				
55	143.086	385 263 0113	Double Gear 2nd/3rd Speed 19/25 T	1		●				
56	105.084	385 263 1702	Countershaft 13/14/17 T	1	(6)	●				
57	105.085	385 263 0902	Countershaft 16/17 T	1	(7)	●				
58	130.838	001 981 8905	Bearing	1		●				
59	130.573	001 981 3105	Bearing 40x90x26	1			●			
60	143.141	385 263 0810	Double Gear 33/29 T	1			●			
61	105.248	385 263 1602	Countershaft	1			●			
62	130.573	001 981 3105	Bearing 40x90x26	1			●			
63	107.130	385 263 0130	Pin	1		●				
64	269.352	385 263 0353	Spacer	1			●			

8 Speeds
G3/65 - G3/90

All original equipment manufacturers numbers, symbols, pictures, models and description used in this catalogue are for reference only, and it is not implied that any part listed is the product of these manufactures.
Tutti i nostri particolari non sono originali ma con essi intercambiabili. I riferimenti originali, le figure, i modelli sono esposti a semplice titolo indicativo. La nostra produzione riporta il nostro marchio.

Notes

- (A-B) To be coupled together
 (1) For Series 714.200-202-234-239 (2) For Series 714.201-207-213-230-235
 (3) Excludes Series 714.305-306-333 (4) For Series 714.305-333
 (5) For Series 714.306
 (6) All Series Except 714.200-201-202-206-207-213-234-235
 (7) Only for the Series 714.200-20-202-206-207-213-234-235

Date

04 / 2011

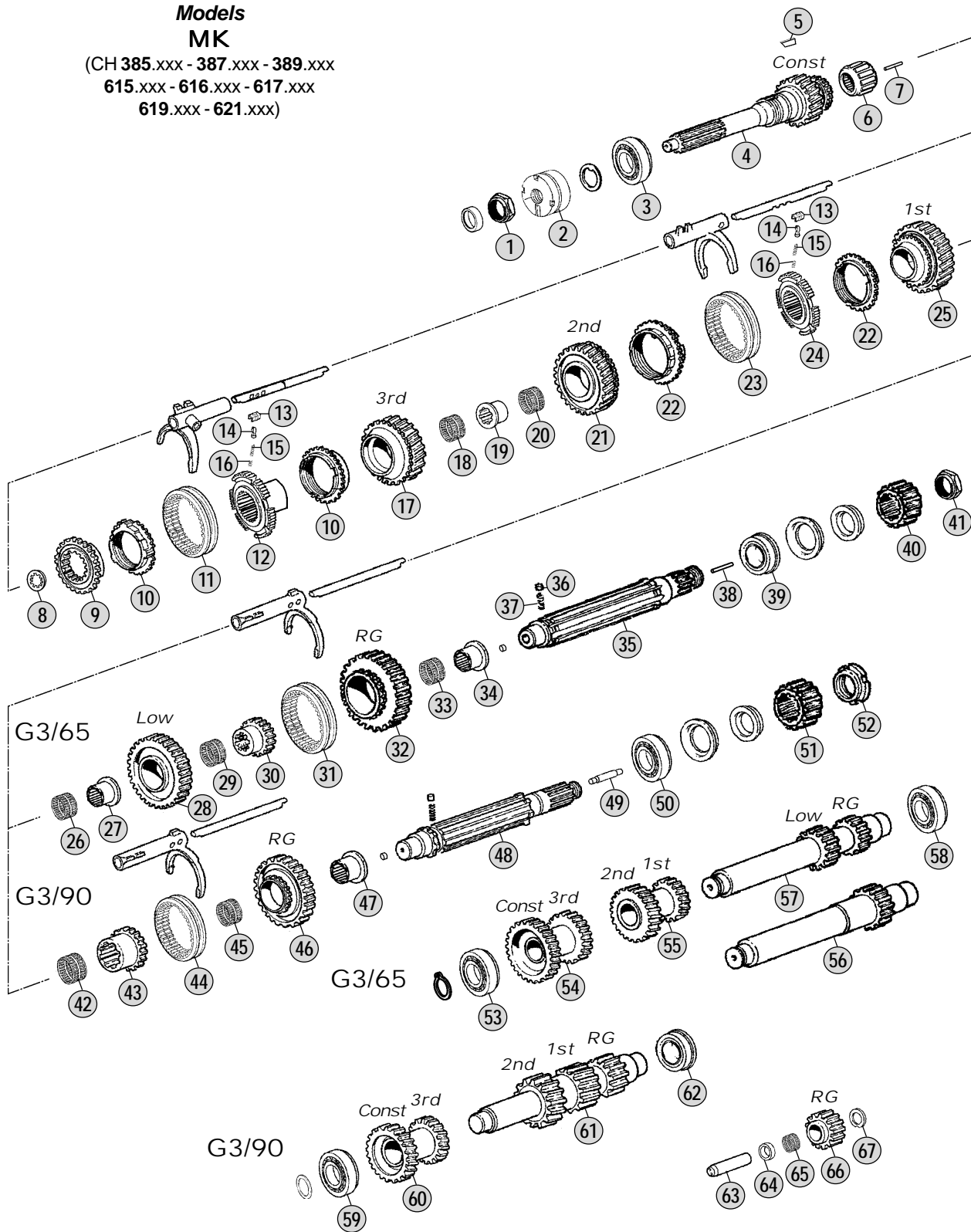
Table

Adattabile a : **MERCEDES**
 Suitable To :

Modelli Cambio/ Gearbox Models
G3/65 - G3/90 (8 Speeds)

**Models
 MK**

(CH 385.xxx - 387.xxx - 389.xxx
 615.xxx - 616.xxx - 617.xxx
 619.xxx - 621.xxx)



All original equipment manufacturers' numbers, symbols, pictures, models and description used in this catalogue are for reference only, and it is not implied that any part listed is the product of these manufactures.
 Tutti i nostri particolari non sono originali ma con essi intercambiabili. I riferimenti originali, le figure, i modelli sono esposti a semplice titolo indicativo. La nostra produzione riporta il nostro marchio.

Models

G3/65 - 8/9,29 **714.200-201-202-207-213-230-234-235-239-305-306-333**

G3/90 - 8/9,29 **714.300-301-302-303-305-306-330-331-332-333-334**



All original equipment manufacturers' numbers, symbols, pictures, models and description used in this catalogue are for reference only, and it is not implied that any part listed is the product of these manufactures. Tutti i nostri particolari non sono originali ma con essi intercambiabili. I riferimenti originali, le figure, i modelli sono esposti a semplice titolo indicativo. La nostra produzione riporta il nostro marchio.

Fig.	CEI no.	Rif. MB	Description	Q.ty	Note	G3/65	G3/90			
65	137.342	022 981 4510	Needle Cage	1		●	●			
66	147.266	385 263 1131	Reverse Gear 23 T	1 (6)		●				
66	147.267	385 263 0831	Reverse Gear	1 (7)		●				
66	147.268	385 263 0731	Reverse Gear 20 T	1			●			
67	269.366	385 263 0062	Washer	1		●	●			

8 Speeds
G3/65 - G3/90

Notes

- (A-B) To be coupled together
(1) For Series 714.200-202-234-239 (2) For Series 714.201-207-213-230-235
(3) Excludes Series 714.305-306-333 (4) For Series 714.305-333
(5) For Series 714.306
(6) All Series Except 714.200-201-202-206-207-213-234-235
(7) Only for the Series 714.200-20-202-206-207-213-234-235

Date

04 / 2011

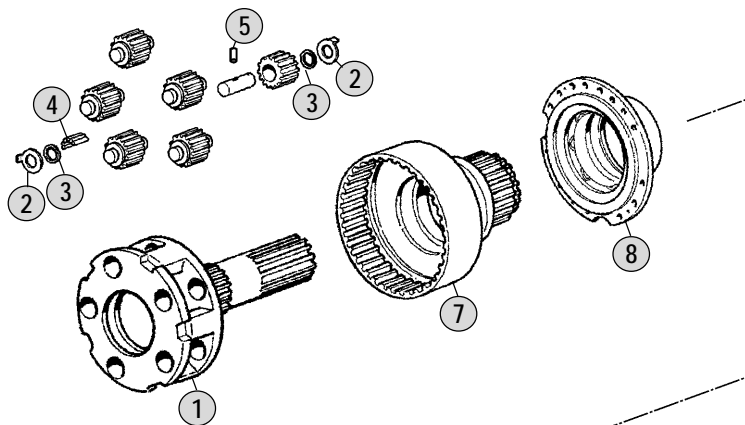
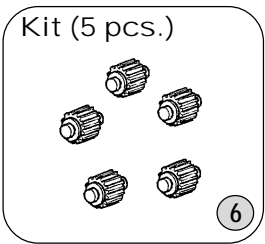
Table

0020

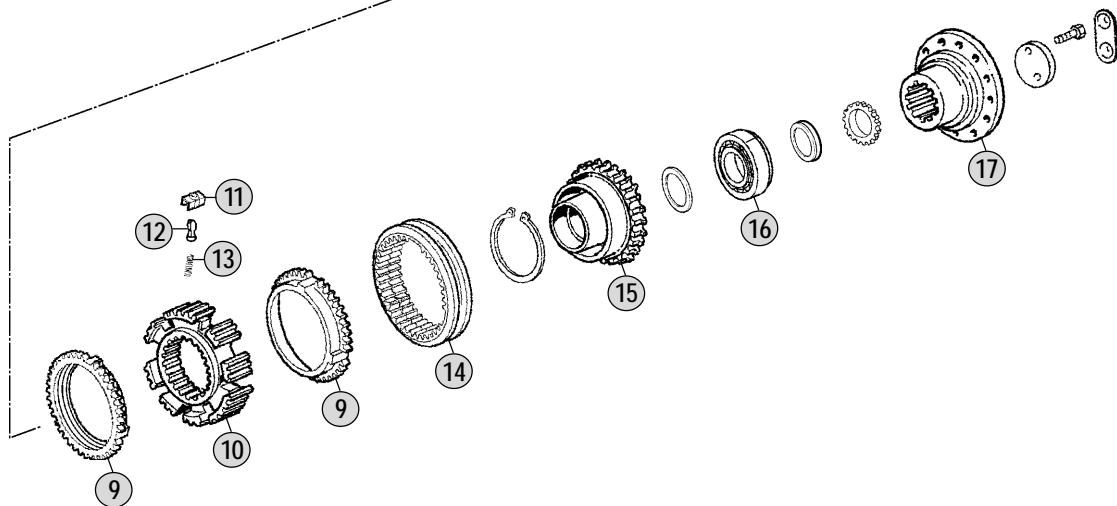


Adattabile a : **MERCEDES**
Suitable To :

Modelli Cambio/ Gearbox Models
G3/65 - G3/90 (8 Speeds)



Models
MK
(CH 385.xxx - 387.xxx - 389.xxx
615.xxx - 616.xxx - 617.xxx
619.xxx - 621.xxx)



All original equipment manufacturers' numbers, symbols and description used in this catalogue are for reference only, and it is not implied that any part listed is the product of these manufactures.
Tutti i nostri particolari non sono originali ma con essi intercambiabili. I riferimenti originali, le figure, i modelli sono esposti a semplice titolo indicativo. La nostra produzione riporta il nostro marchio.

Models

G3/65 - 8/9,29 **714.200-201-202-207-213-230-234-235-239-305-306-333**

G3/90 - 8/9,29 **714.300-301-302-303-305-306-330-331-332-333-334**



8 Speeds
G3/65 - G3/90

All original equipment manufacturers' numbers, symbols, pictures, models and description used in this catalogue are for reference only, and it is not implied that any part listed is the product of these manufactures.
Tutti i nostri particolari non sono originali ma con essi intercambiabili. I riferimenti originali, le figure, i modelli sono esposti a semplice titolo indicativo. La nostra produzione riporta il nostro marchio.

Fig.	CEI no.	Rif. MB	Description	Q.ty	Note	G3/65	G3/90			
1	190.201	385 260 3061	Planetary Carrier	1		●	●			
2	269.351	004 262 0062	Thrust washer	10		●	●			
3	169.642	385 262 0152	Spacer	10		●	●			
4	171.072	381 981 0087	Needle	5		●	●			
5	287.040	357 990 0079	Dowel Pin	5		●	●			
6	198.627	440 260 0097	Gear Set	1		●	●			
7	123.170	385 262 0208	Crown Gear 76 T	1		●	●			
8	198.392	385 260 3245	Synchronizer Cone	1		●	●			
9	119.100	385 262 1437	Synchronizer Ring	2		●	●			
10	157.142	385 262 1035	Synchronizer Hub	1		●	●			
11	188.235	425 262 0140	Slide	6		●	●			
12	160.271	385 262 0674	Pin	6		●	●			
13	156.202	385 993 1501	Spring	6		●	●			
14	154.223	389 262 1823	Sliding Sleeve	1		●	●			
15	109.097	385 262 1534	Synchronizer Cone	1		●	●			
16	130.839	002 981 3725	Bearing	1		●	●			
17	197.176	385 262 0645	Output Flange D.150	1		●	●			
17	197.177	385 262 0745	Output Flange D.165	1		●	●			

Notes _____

Date _____



04/ 2011

Table _____

0025

Adattabile a : **MERCEDES**
 Suitable To :

GO4/95 - GO4/110 (5 Speeds)

Models

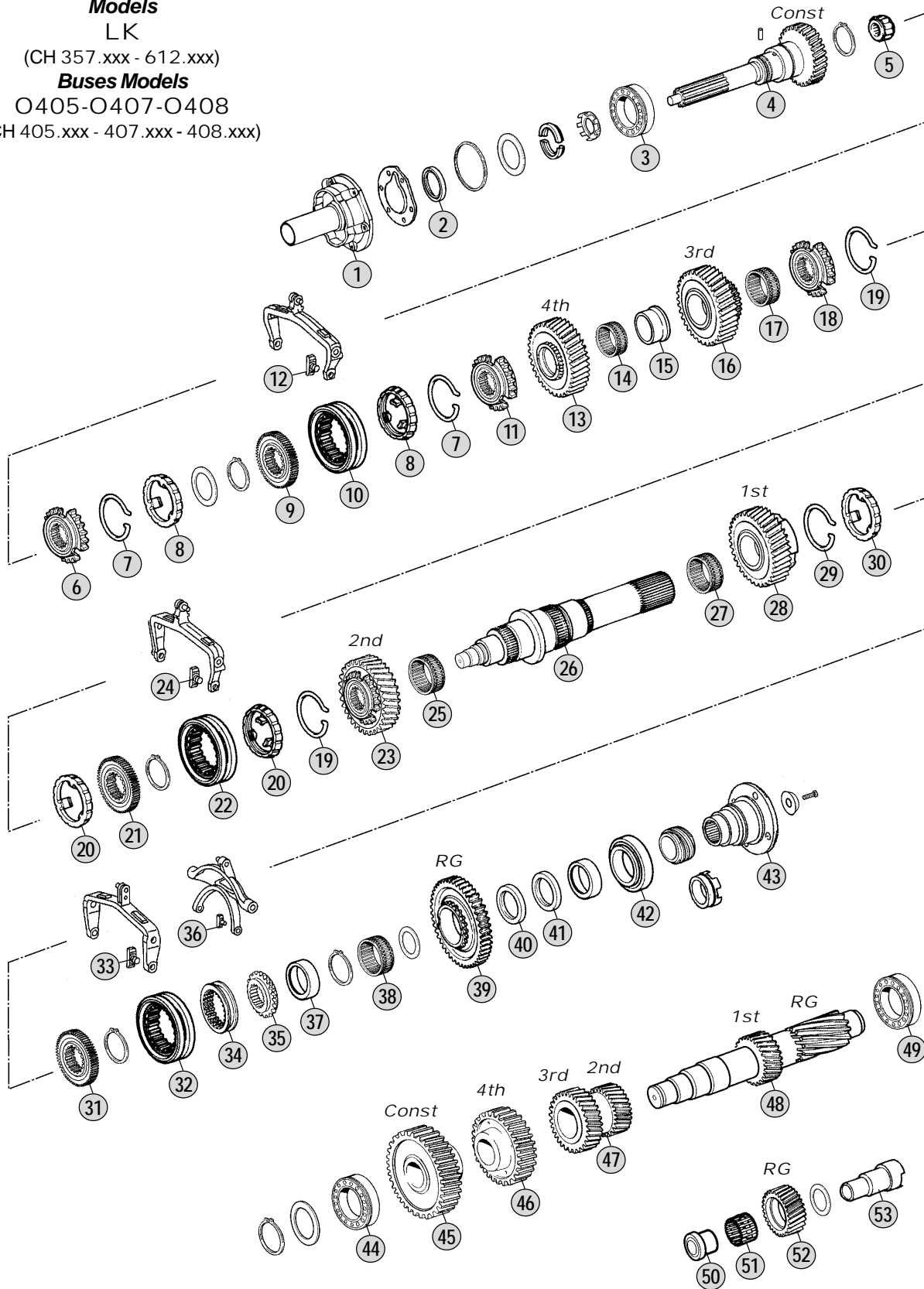
LK

(CH 357.xxx - 612.xxx)

Buses Models

O405-O407-O408

(CH 405.xxx - 407.xxx - 408.xxx)



All original equipment manufacturers' numbers, symbols, pictures and description used in this catalogue are for reference only, and it is not implied that any part listed is the product of these manufactures. Tutti i nostri particolari non sono originali ma con essi intercambiabili. I riferimenti originali, le figure, i modelli sono esposti a semplice titolo indicativo. La nostra produzione riporta il nostro marchio.

Models

GO4/95-5/5,1	714.604
GO4/110-5/5,1	714.624

Fig.	CEI no.	Rif. MB	Description	Q.ty	Note	GO4/95-5/5,1	GO4/110-5/5,1			
1	135.199	387 261 0918	Front Cover	1	Up to Gearbox 000516	●	●			
1	135.137	387 261 2218	Front Cover	1	From Gearbox 000517	●	●			
2	139.852	007 997 9647	Seal Ring	1	Up to Gearbox 000516	●	●			
2	139.548	015 997 0347	Seal Ring Th.8(64x45) mm	1	From Gearbox 000517	●	●			
3	130.574	008 981 5201	Bearing 65x140x33	1		●	●			
4	102.292	387 262 4202	Input Shaft	1		●				
4	102.293	387 262 4402	Input Shaft	1			●			
5	137.206	002 981 1312	Needle Cage 40x60x28	1		●	●			
6	109.344	387 262 5034	Synchronizer Cone	1		●	●			
7	111.204	387 262 1093	Elastic Ring	2		●	●			
8	119.112	389 262 0637	Synchronizer Ring	2		●	●			
8	119.226	389 262 3137	Synchronizer Ring	2	LONG LIFE	●	●			
9	157.611	387 262 2135	Synchronizer Hub	1		●	●			
10	154.215	387 262 1523	Sliding Sleeve	1		●	●			
10	154.430	M387 262 1523	Sliding Sleeve	1	LONG LIFE	●	●			
11	109.131	389 262 5634	Synchronizer Cone	1		●	●			
12	141.161	389 265 2349	Slide Fork	2	BRASS	●	●			
12	141.220	M389 265 2349	Slide Fork	2	IRON	●	●			
13	145.637	387 262 2015	Gear 4th Speed 22 T	1		●				
13	145.634	387 262 2315	Gear 4th Speed 22 T	1			●			
14	137.184	009 981 1410	Needle Cage 75x83x48	1		●				
14	137.182	008 981 8310	Needle Cage 75x83x55W	1			●			
15	117.330	387 262 0550	Bush H=54,00 mm	1		●				
15	117.279	387 262 0150	Bush H=61,00 mm	1			●			
16	145.628	387 262 3514	Gear 3rd Speed 24 T	1		●				
16	145.633	387 262 3814	Gear 3rd Speed 24 T	1			●			
17	137.187	009 981 1510	Needle Cage K78x86x35ZW	1		●				
17	137.205	008 981 9910	Needle Cage 78x86x40	1			●			
18	109.130	387 262 4534	Synchronizer Cone	1	(A)	●	●			
18	109.343	387 262 4834	Synchronizer Cone	1	(B)	●	●			
19	111.204	387 262 1093	Elastic Ring	2		●	●			
20	119.112	389 262 0637	Synchronizer Ring	2		●	●			
20	119.226	389 262 3137	Synchronizer Ring	2	LONG LIFE	●	●			
21	157.617	387 262 2035	Synchronizer Hub	1		●	●			
22	154.215	387 262 1523	Sliding Sleeve	1	(A)	●	●			
22	154.430	M387 262 1523	Sliding Sleeve	1	(A) LONG LIFE	●	●			
22	154.302	387 262 1423	Sliding Sleeve	1	(B)	●	●			
22	154.442	M387 262 1423	Sliding Sleeve	1	(B) LONG LIFE	●	●			
23	145.632	387 262 1813	Gear 2nd Speed 30 T	1	(A)	●				
23	145.631	387 262 4413	Gear 2nd Speed 30 T	1	(B)	●				
23	145.630	387 262 0813	Gear 3rd Speed 30 T	1	(A)		●			
23	145.629	387 262 5313	Gear 2nd Speed 30 T	1	(B)		●			
24	141.161	389 265 2349	Slide Fork	2	BRASS	●	●			
24	141.220	M389 265 2349	Slide Fork	1	IRON	●	●			
25	137.203	009 981 1710	Needle Cage 93x99x44	1		●				

Notes

- (A) GO4/95 Up to gearbox 348399
 (B) GO4/95 From gearbox 348400
 (C) GO4/95 Up to gearbox 124518
 (D) GO4/95 From gearbox 124519

- GO4/110 Up to gearbox 355346
 GO4/110 From gearbox 355347

Date

04 / 2011

Table

0030

All original equipment manufacturers numbers, symbols, pictures, models and description used in this catalogue are for reference only, and it is not implied that any part listed is the product of these manufactures.
 Tutti i nostri particolari non sono originali ma con essi intercambiabili. I riferimenti originali, le figure, i modelli sono esposti a semplice titolo indicativo. La nostra produzione riporta il nostro marchio.

Adattabile a : **MERCEDES**
Suitable To :

GO4/95 - GO4/110 (5 Speeds)

Models

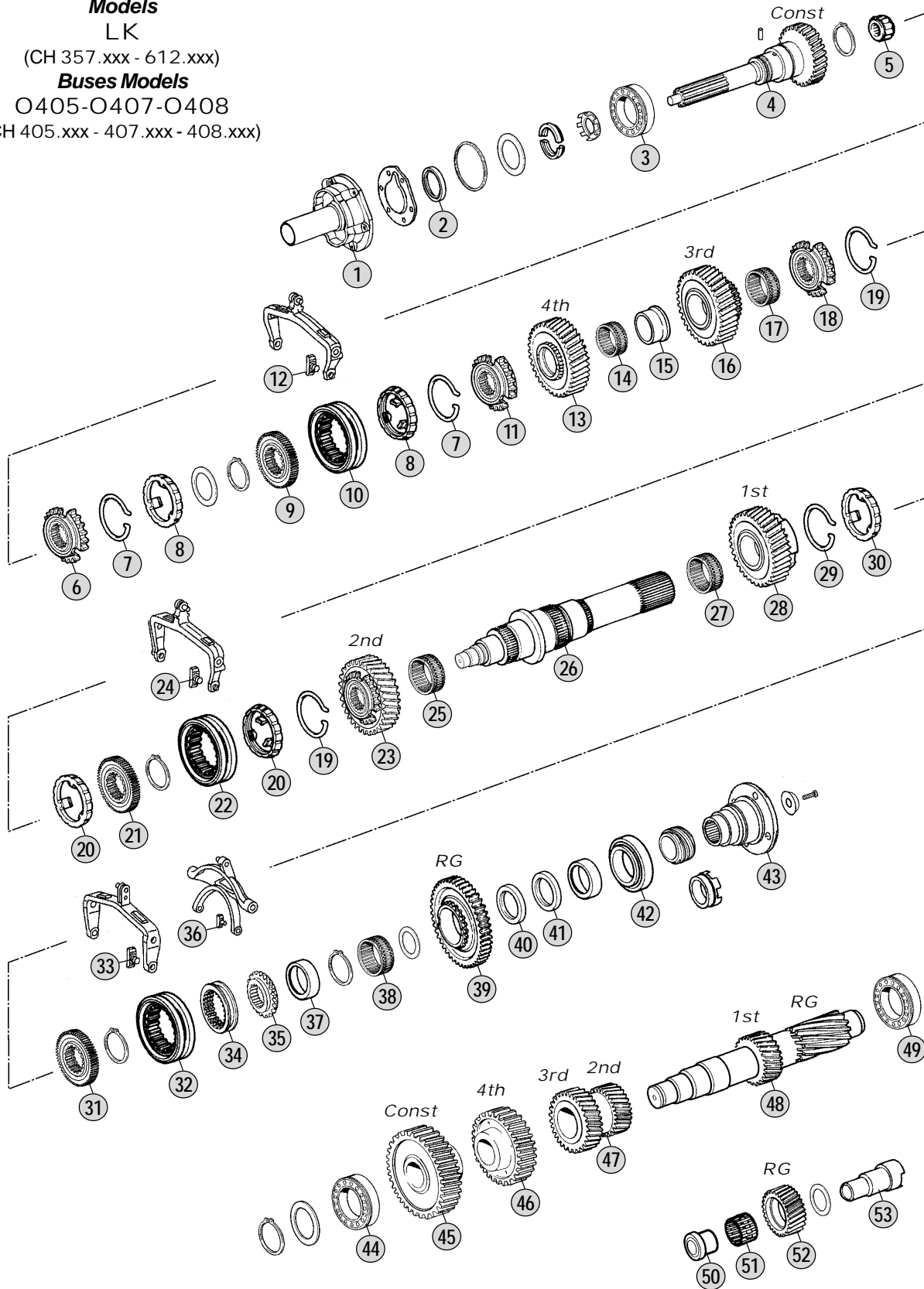
LK

(CH 357.xxx - 612.xxx)

Buses Models

O405-O407-O408

(CH 405.xxx - 407.xxx - 408.xxx)



All original equipment manufacturers' numbers, symbols, and description used in this catalogue are for reference only, and it is not implied that any part listed is the product of these manufactures. Tutti i nostri particolari non sono originali ma con essi intercambiabili. I riferimenti originali, le figure, i modelli sono esposti a semplice titolo indicativo. La nostra produzione riporta il nostro marchio.

Models

GO4/95-5/5,1 **714.604**

GO4/110-5/5,1 **714.624**

Fig.	CEI no.	Rif. MB	Description	Q.ty	Note	GO4/95-5/5,1	GO4/110-5/5,1			
25	137.204	007 981 5510	Needle Cage 92x100x49,5	1			●			
26	103.154	387 262 2105	Main Shaft	1	(C)	●				
26	103.155	387 262 2405	Main Shaft	1	(D)	●				
26	103.153	387 262 2005	Main Shaft	1			●			
27	137.201	009 981 1810	Needle Cage 102x100x44	1		●				
27	137.199	008 981 9710	Needle Cage 102,5x109,5x49	1			●			
28	145.636	387 262 0812	Gear 1st Speed 38 T	1	(A)	●				
28	145.635	387 262 3412	Gear 1st Speed 38 T	1	(B)	●				
28	145.627	387 262 0212	Gear 2nd Speed 38 T	1	(A)		●			
28	145.626	387 262 3212	Gear 2nd Speed 38 T	1	(B)		●			
29	111.205	387 262 0893	Elastic Ring	1		●	●			
30	119.161	389 262 0737	Synchronizer Ring	1		●	●			
30	119.225	389 262 3237	Synchronizer Ring	1	LONG LIFE	●	●			
31	157.615	387 262 2735	Synchronizer Hub	1	(A)	●	●			
31	157.616	387 262 3335	Synchronizer Hub	1	(B)	●	●			
32	154.216	387 262 0623	Sliding Sleeve	1	(A)	●	●			
32	154.431	M387 262 0623	Sliding Sleeve	1	(A) LONG LIFE	●	●			
32	154.301	387 262 1323	Sliding Sleeve	1	(B)	●	●			
32	154.441	M387 262 1323	Sliding Sleeve	1	(B) LONG LIFE	●	●			
33	141.161	389 265 2349	Slide Fork	2	BRASS	●	●			
33	141.220	M389 265 2349	Slide Fork	1	IRON	●	●			
34	154.229	387 262 0023	Sliding Sleeve	1		●	●			
35	157.613	387 262 0036	Synchronizer Hub	1	(C)	●				
35	157.612	387 262 0436	Synchronizer Hub	1	(D)	●				
35	157.613	387 262 0036	Synchronizer Hub	1			●			
36	141.160	945 265 0149	Slide Fork	2		●	●			
37	117.429	387 262 1550	Bush	1	(C)	●				
37	117.329	387 262 1450	Bush	1			●			
38	137.186	009 981 1610	Needle Cage K85x93x37ZW	1	(C)	●				
38	137.200	021 981 5710	Needle Cage 75x83x33W	1	(D)	●				
38	137.198	021 981 9410	Needle Cage 85x93x45W	1			●			
39	147.172	387 262 0233	Reverse Gear 47 T	1	(C)	●				
39	147.170	387 262 1033	Reverse Gear 47 T	1	(D)	●				
39	147.173	387 262 0033	Reverse Gear 47 T	1			●			
40	139.564	020 997 9947	Oil Seal 80x110x10	1		●	●			
41	139.563	023 997 8547	Oil Seal 80x100x12	1		●	●			
42	130.572	008 981 5301	Bearing 65x140x39,5	1		●	●			
43	197.088	387 262 0145	Output Flange D.150	1		●	●			
44	130.571	009 981 3105	Bearing 60x100x35,5	1		●	●			
45	146.512	387 263 1510	Constant Gear 43 T	1		●				
45	146.510	387 263 1810	Constant Gear 43 T	1			●			
46	146.511	387 263 0215	Gear 5th Speed 34 T	1		●				
46	146.509	387 263 0015	Gear 4th Speed 34 T	1			●			
47	143.110	387 263 0613	Double Gear 3nd/4th Sp.-25/21 T	1		●				
47	143.109	387 263 1313	Double Gear 3nd/4th Sp.-25/21 T	1			●			

Notes

(A) GO4/95 Up to gearbox 348399
 (B) GO4/95 From gearbox 348400
 (C) GO4/95 Up to gearbox 124518
 (D) GO4/95 From gearbox 124519

GO4/110 Up to gearbox 355346
 GO4/110 From gearbox 355347

Date

04 / 2011

Table

0030

Adattabile a : **MERCEDES**
Suitable To :

GO4/95 - GO4/110 (5 Speeds)

Models

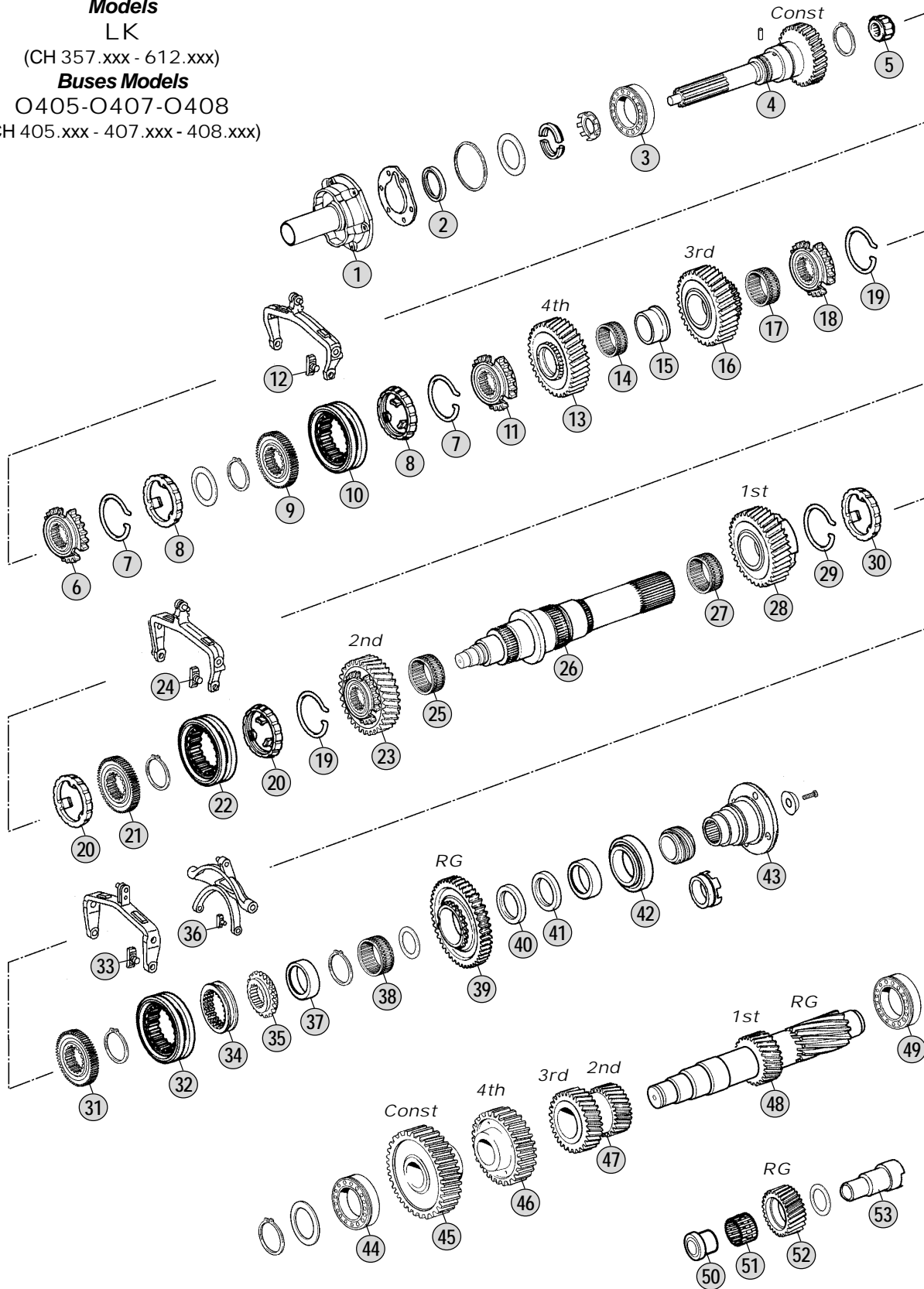
LK

(CH 357.xxx - 612.xxx)

Buses Models

O405-O407-O408

(CH 405.xxx - 407.xxx - 408.xxx)



All original equipment manufacturers' numbers, symbols, and description used in this catalogue are for reference only, and it is not implied that any part listed is the product of these manufactures. Tutti i nostri particolari non sono originali ma con essi intercambiabili. I riferimenti originali, le figure, i modelli sono esposti a semplice titolo indicativo. La nostra produzione riporta il nostro marchio.

Models

GO4/95-5/5,1 **714.604**

GO4/110-5/5,1 **714.624**

Fig.	CEI no.	Rif. MB	Description	Q.ty	Note	GO4/95-5/5,1	GO4/110-5/5,1		
48	105.136	387 263 1902	Countershaft 16/12 T	1		●			
48	105.135	387 263 2002	Countershaft	1			●		
49	130.571	009 981 3105	Bearing 60x100x35,5	1		●	●		
50	117.332	387 263 0850	Bush	1		●			
50	117.430	387 263 0950	Bush	1	With 107.237		●		
50	117.331	387 263 1250	Bush	1	With 107.177		●		
51	137.202	010 981 5110	Needle Cage	1		●			
51	137.207	010 981 5210	Needle Cage	1			●		
52	147.169	387 263 1231	Reverse Gear	1		●			
52	147.171	387 263 0631	Reverse Gear 21 T	1			●		
53	107.178	387 263 0830	Reverse Shaft	1		●			
53	107.237	387 263 0530	Reverse Shaft	1	With 117.430		●		
53	107.177	387 263 1430	Reverse Shaft	1	With 117.331		●		

All original equipment manufacturers' numbers, symbols, pictures, models and description used in this catalogue are for reference only, and it is not implied that any part listed is the product of these manufacturers.
Tutti i nostri particolari non sono originali ma con essi intercambiabili. I riferimenti originali, le figure, i modelli sono esposti a semplice titolo indicativo. La nostra produzione riporta il nostro marchio.

5 Speeds
GO4/95 - GO4/110

Notes

- (A) GO4/95 Up to gearbox 348399
 (B) GO4/95 From gearbox 348400
 (C) GO4/95 Up to gearbox 124518
 (D) GO4/95 From gearbox 124519

- GO4/110 Up to gearbox 355346
 GO4/110 From gearbox 355347

Date

04 / 2011

Table

0030

Adattabile a : **MERCEDES** G4/65 - 95 - 105 - 110(6 Speeds)
 Suitable To :

G4/65 - G4/95 - G4/110
 6 Speeds
Models

MK - SK - LK

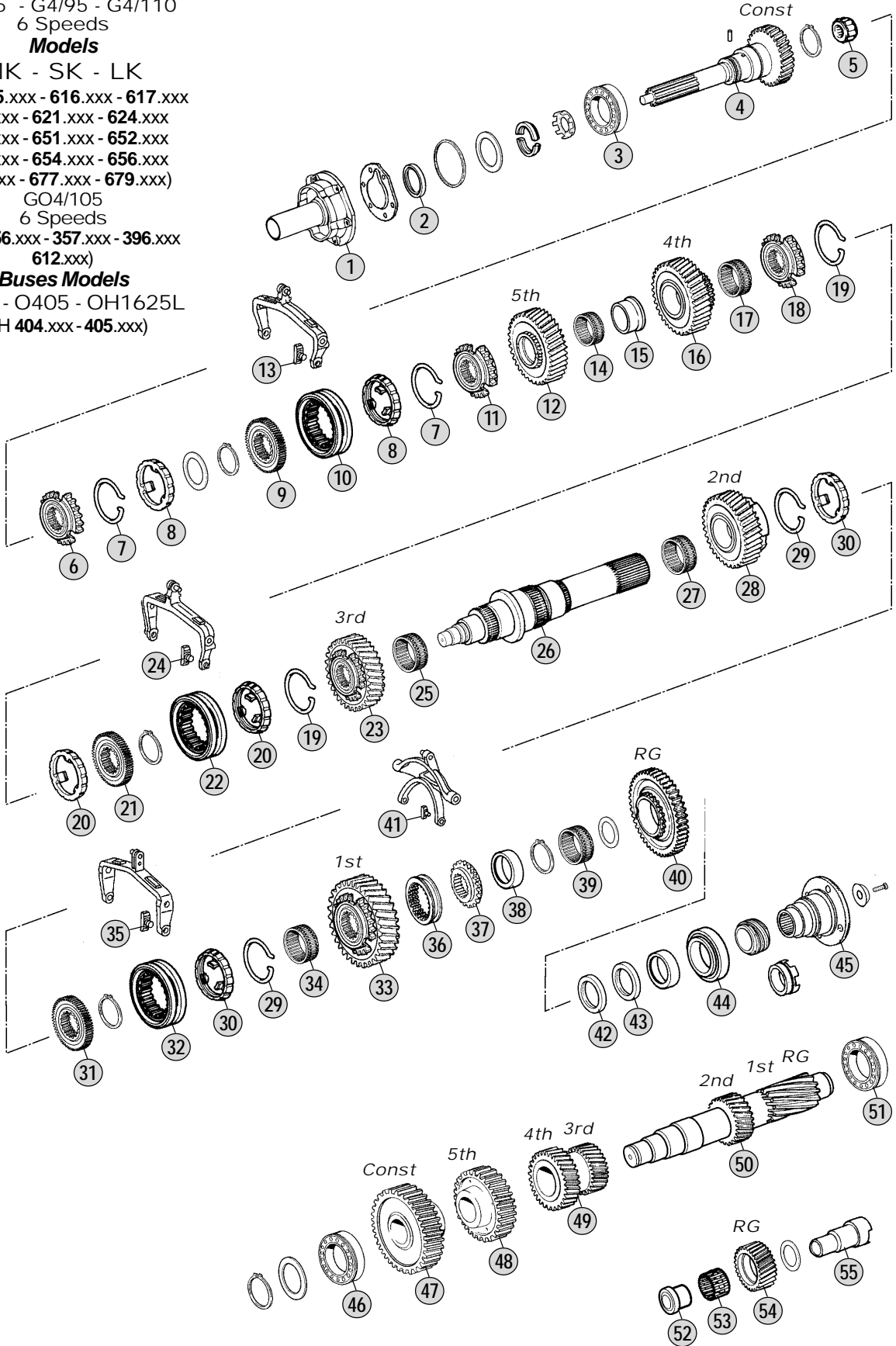
(CH 615.xxx - 616.xxx - 617.xxx
 619.xxx - 621.xxx - 624.xxx
 650.xxx - 651.xxx - 652.xxx
 653.xxx - 654.xxx - 656.xxx
 676.xxx - 677.xxx - 679.xxx)

GO4/105
 6 Speeds

(CH 356.xxx - 357.xxx - 396.xxx
 612.xxx)

Buses Models

O404 - O405 - OH1625L
 (CH 404.xxx - 405.xxx)



All original equipment manufacturers' numbers, symbols, pictures, models and description used in this catalogue are for reference only, and it is not implied that any part listed is the product of these manufactures.
 Tutti i nostri particolari non sono originali ma con essi intercambiabili. I riferimenti originali, le figure, i modelli sono esposti a semplice titolo indicativo. La nostra produzione riporta il nostro marchio.

Models

G4/65-6/9,0	714.400-401-402-403-404-430-431-432-433-434-435-436-437-438-439-440-441-442
G4/95-6/9,0	714.600-601-610-614-615-616-617-618 715.100-101-102-103-111-113
GO4/105-6/7,18	714.602-606
G4/110-6/9,0	714.620-621-626-630-631-664-670-674



Fig.	CEI no.	Rif. MB	Description	Q.ty	Note				
						G4/65-6/9,0	G4/95-6/9,0	GO4/105-6/7,18	G4/110-6/9,0
1	135.141	387 261 2418	Front Cover	1	(A) Excl.714.402-432-437	●			
1	135.142	387 261 2518	Front Cover	1	(A) Only 714.402-432-437	●			
1	135.145	387 261 2018	Front Cover	1	(B) Excl.714.402-432-437	●			
1	135.140	387 261 2718	Front Cover	1	(B) Only 714.402-432-437	●			
1	135.137	387 261 2218	Front Cover	1	Excl.715.100/1/2/3-111-113		●		
1	135.139	389 261 0018	Front Cover	1	Only 715.100-101-111-113		●		
1	135.138	387 261 2918	Front Cover	1	Only 715.102-103		●		
1	135.137	387 261 2218	Front Cover	1				●	
1	135.137	387 261 2218	Front Cover	1	Excl.714.626-670-674				●
1	135.139	389 261 0018	Front Cover	1	Only 714.626-670-674				●
2	139.852	007 997 9647	Seal Ring	1	Old Type	●	●	●	●
2	139.548	015 997 0347	Seal Ring Th.8(64x45) mm	1	New Type	●	●	●	●
2	139.549	024 997 3047	Seal Ring 52x68x8 mm	1	Only 715.100/1/2/3-111-113		●		
2	139.549	024 997 3047	Seal Ring 52x68x8 mm	1	Only 714.626-670-674				●
3	130.576	008 981 9501	Bearing	1	(A)	●			
3	130.577	007 981 2001	Bearing 60x110x22	1	(B)	●			
3	130.574	008 981 5201	Bearing 65x140x33	1			●	●	●
4	102.299	387 262 6002	Input Shaft 20 T	1	Excl.714.402/3/4-432/7-440/1	●			
4	102.296	387 262 7602	Input Shaft	1	Only 714.403-404-440-441	●			
4	102.295	387 262 4002	Input Shaft 20 T	1	Only 714.402-432-437	●			
4	102.292	387 262 4202	Input Shaft	1	Excl.715.100/1/2/3-111-113		●		
4	102.297	387 262 7202	Input Shaft	1	Only 715.100-101-111-113		●		
4	102.298	387 262 6402	Input Shaft	1	Only 715.102-103		●		
4	102.300	387 262 4302	Input Shaft 25 T	1				●	
4	102.293	387 262 4402	Input Shaft	1	Excl.714.626-670-674				●
4	102.301	387 262 6702	Input Shaft	1	Only 714.626-670-674				●
5	130.579	002 981 1412	Needle Bearing	1		●			
5	137.206	002 981 1312	Needle Cage 40x60x28	1			●	●	●
6	109.344	387 262 5034	Synchronizer Cone	1		●	●		●
6	109.129	387 262 5134	Synchronizer Cone	1				●	
7	111.204	387 262 1093	Elastic Ring	2		●	●	●	●
8	119.112	389 262 0637	Synchronizer Ring	2		●	●	●	●
8	119.226	389 262 3137	Synchronizer Ring	2	LONG LIFE	●	●	●	●
9	157.614	387 262 0935	Synchronizer Hub	1		●			
9	157.611	387 262 2135	Synchronizer Hub	1			●	●	●
10	154.215	387 262 1523	Sliding Sleeve	1		●	●	●	●
10	154.430	M387 262 1523	Sliding Sleeve	1	LONG LIFE	●	●	●	●
11	109.346	387 262 4934	Synchronizer Cone	1		●			
11	109.131	389 262 5634	Synchronizer Cone	1			●	●	●
12	145.649	387 262 0115	Gear 5th Speed 22 T	1		●			
12	145.637	387 262 2015	Gear 4th Speed 22 T	1			●		
12	145.645	387 262 2215	Gear 5th Speed 27 T	1				●	
12	145.634	387 262 2315	Gear 4th Speed 22 T	1					●
13	141.161	389 265 2349	Slide Fork	2	BRASS	●	●	●	●
13	141.220	M389 265 2349	Slide Fork	1	IRON	●	●		

Notes

(A) G4/65 Up to gearbox 157730
 (C) G4/65 Up to gearbox 345971
 (E) G4/95 - GO4/105 Up to gearbox 348399
 (F) G4/95 - GO4/105 From gearbox 348400
 (G) G4/95 - GO4/105 Up to gearbox 124518

(B) G4/65 From gearbox 157731
 (D) G4/65 From gearbox 345972
 G4/110 Up to gearbox 355346
 G4/110 From gearbox 355347
 (H) G4/95 - GO4/105 From gearbox 124519

Date

04 / 2011

Table

0040

All original equipment manufacturers numbers, symbols, pictures, models and description used in this catalogue are for reference only, and it is not implied that any part listed is the product of these manufactures.
 Tutti i nostri particolari non sono originali ma con essi intercambiabili. I riferimenti originali, le figure, i modelli sono esposti a semplice titolo indicativo. La nostra produzione riporta il nostro marchio.

Adattabile a : **MERCEDES** G4/65 - 95 - 105 - 110(6 Speeds)
 Suitable To :

G4/65 - G4/95 - G4/110
 6 Speeds

Models

MK - SK - LK

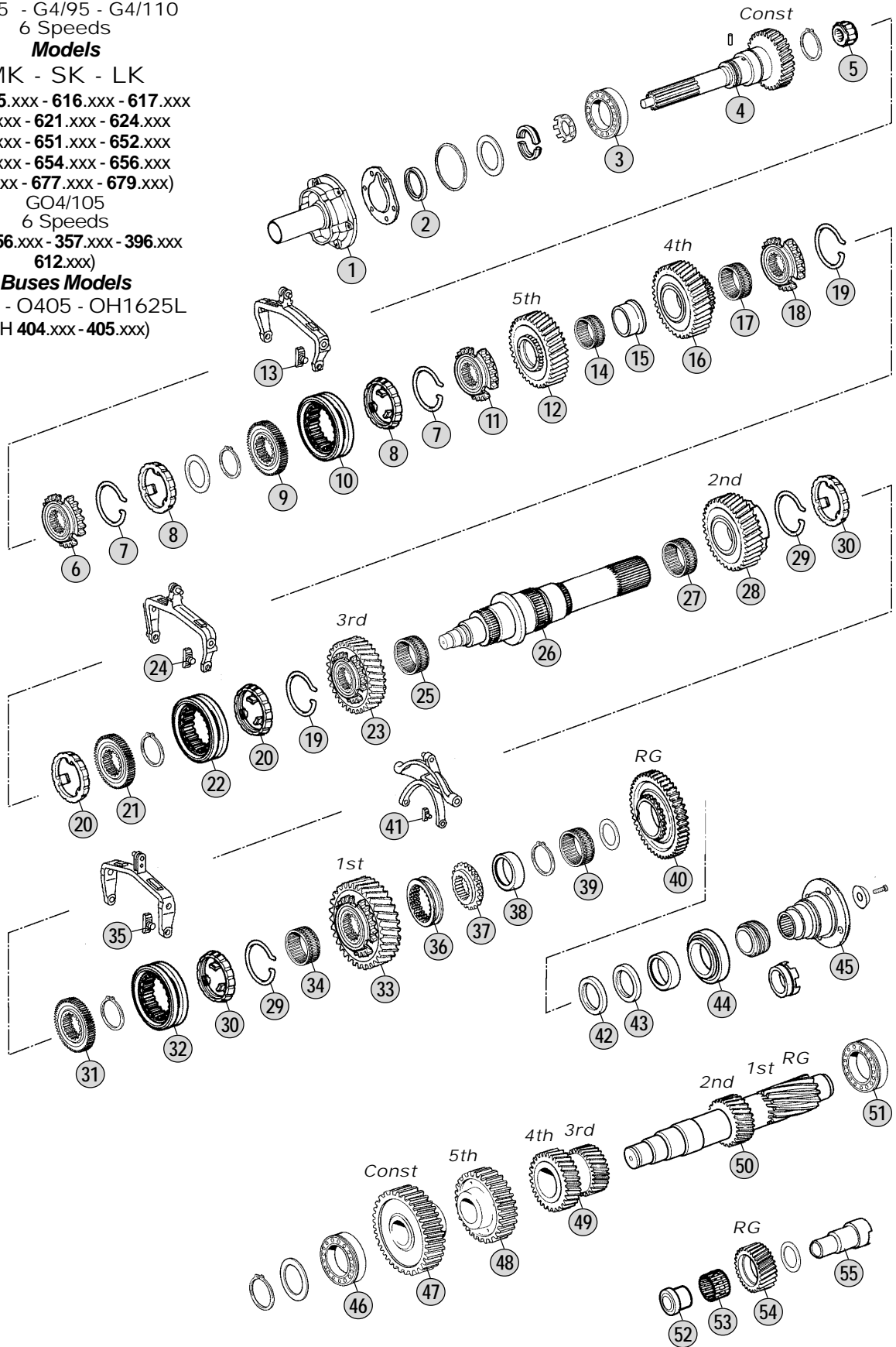
(CH 615.xxx - 616.xxx - 617.xxx
 619.xxx - 621.xxx - 624.xxx
 650.xxx - 651.xxx - 652.xxx
 653.xxx - 654.xxx - 656.xxx
 676.xxx - 677.xxx - 679.xxx)

GO4/105
 6 Speeds

(CH 356.xxx - 357.xxx - 396.xxx
 612.xxx)

Buses Models

O404 - O405 - OH1625L
 (CH 404.xxx - 405.xxx)



All original equipment manufacturers' numbers, symbols, pictures, models and description used in this catalogue are for reference only, and it is not implied that any part listed is the product of these manufactures.
 Tutti i nostri particolari non sono originali ma con essi intercambiabili. I riferimenti originali, le figure, i modelli sono esposti a semplice titolo indicativo. La nostra produzione riporta il nostro marchio.

Models

G4/65-6/9,0	714.400-401-402-403-404-430-431-432-433-434-435-436-437-438-439-440-441-442
G4/95-6/9,0	714.600-601-610-614-615-616-617-618 715.100-101-102-103-111-113
GO4/105-6/7,18	714.602-606
G4/110-6/9,0	714.620-621-626-630-631-664-670-674



Fig.	CEI no.	Rif. MB	Description	Q.ty	Note				
						G4/65-6/9,0	G4/95-6/9,0	GO4/105-6/7,18	G4/110-6/9,0
14	137.212	007 981 2810	Needle Cage	1		●			
14	137.184	009 981 1410	Needle Cage 75x83x48	1			●	●	
14	137.182	008 981 8310	Needle Cage 75x83x55W	1					●
15	117.334	387 262 0350	Bush	1		●			
15	117.330	387 262 0550	Bush H=54,00 mm	1			●	●	
15	117.279	387 262 0150	Bush H=61,00 mm	1					●
16	145.643	387 262 3414	Gear 4th Speed 24 T	1		●			
16	145.628	387 262 3514	Gear 3rd Speed 24 T	1			●		
16	145.644	387 262 3714	Gear 4th Speed 30 T	1				●	
16	145.633	387 262 3814	Gear 3rd Speed 24 T	1					●
17	137.208	009 981 0210	Needle Cage	1		●			
17	137.187	009 981 1510	Needle Cage K78x86x35ZW	1			●	●	
17	137.205	008 981 9910	Needle Cage 78x86x40	1					●
18	109.131	389 262 5634	Synchronizer Cone	1	(C)	●			
18	109.347	389 262 5934	Synchronizer Cone	1	(D)	●			
18	109.130	387 262 4534	Synchronizer Cone	1	(E)		●	●	●
18	109.343	387 262 4834	Synchronizer Cone	1	(F)		●	●	●
19	111.204	387 262 1093	Elastic Ring	2		●	●	●	●
20	119.112	389 262 0637	Synchronizer Ring	2		●	●	●	●
20	119.226	389 262 3137	Synchronizer Ring	2	LONG LIFE	●	●	●	●
21	157.620	387 262 0835	Synchronizer Hub	1		●			
21	157.617	387 262 2035	Synchronizer Hub	1			●	●	●
22	154.215	387 262 1523	Sliding Sleeve	1	(CE)	●	●	●	●
22	154.430	M387 262 1523	Sliding Sleeve	1	(CE) LONG LIFE	●	●	●	●
22	154.302	387 262 1423	Sliding Sleeve	1	(DF)	●	●	●	●
22	154.442	M387 262 1423	Sliding Sleeve	1	(DF) LONG LIFE	●	●	●	●
23	145.641	387 262 1613	Gear 3rd Speed 30 T	1	(C)	●			
23	145.642	387 262 4313	Gear 3rd Speed 30 T	1	(D)	●			
23	145.632	387 262 1813	Gear 2nd Speed 30 T	1	(E)		●		
23	145.631	387 262 4413	Gear 2nd Speed 30 T	1	(F)		●		
23	145.646	387 262 3813	Gear 3rd Speed 35 T	1	(E)			●	
23	145.650	387 262 4913	Gear 3rd Speed 35 T	1	(F)			●	
23	145.630	387 262 0813	Gear 3rd Speed 30 T	1	(E)				●
23	145.629	387 262 5313	Gear 2nd Speed 30 T	1	(F)				●
24	141.161	389 265 2349	Slide Fork	2	BRASS	●	●	●	●
24	141.220	M389 265 2349	Slide Fork	2	IRON	●	●	●	●
25	137.211	010 981 1210	Needle Cage 75,5x82,5x39,5	1		●			
25	137.203	009 981 1710	Needle Cage 93x99x44	1			●	●	
25	137.204	007 981 5510	Needle Cage 92x100x49,5	1					●
26	103.158	387 262 1705	Main Shaft	1		●			
26	103.154	387 262 2105	Main Shaft	1	(G)		●	●	
26	103.155	387 262 2405	Main Shaft	1	(H)		●	●	
26	103.153	387 262 2005	Main Shaft	1					●
27	137.211	010 981 1210	Needle Cage 75,5x82,5x39,5	1		●			
27	137.201	009 981 1810	Needle Cage 102x100x44	1			●	●	

Notes

(A) G4/65 Up to gearbox 157730
 (C) G4/65 Up to gearbox 345971
 (E) G4/95 - GO4/105 Up to gearbox 348399
 (F) G4/95 - GO4/105 From gearbox 348400
 (G) G4/95 - GO4/105 Up to gearbox 124518

(B) G4/65 From gearbox 157731
 (D) G4/65 From gearbox 345972
 G4/110 Up to gearbox 355346
 G4/110 From gearbox 355347
 (H) G4/95 - GO4/105 From gearbox 124519

Date

04 / 2011

Table

0040

Adattabile a : **MERCEDES** G4/65 - 95 - 105 - 110(6 Speeds)
 Suitable To :

G4/65 - G4/95 - G4/110
 6 Speeds

Models

MK - SK - LK

(CH 615.xxx - 616.xxx - 617.xxx
 619.xxx - 621.xxx - 624.xxx
 650.xxx - 651.xxx - 652.xxx
 653.xxx - 654.xxx - 656.xxx
 676.xxx - 677.xxx - 679.xxx)

GO4/105

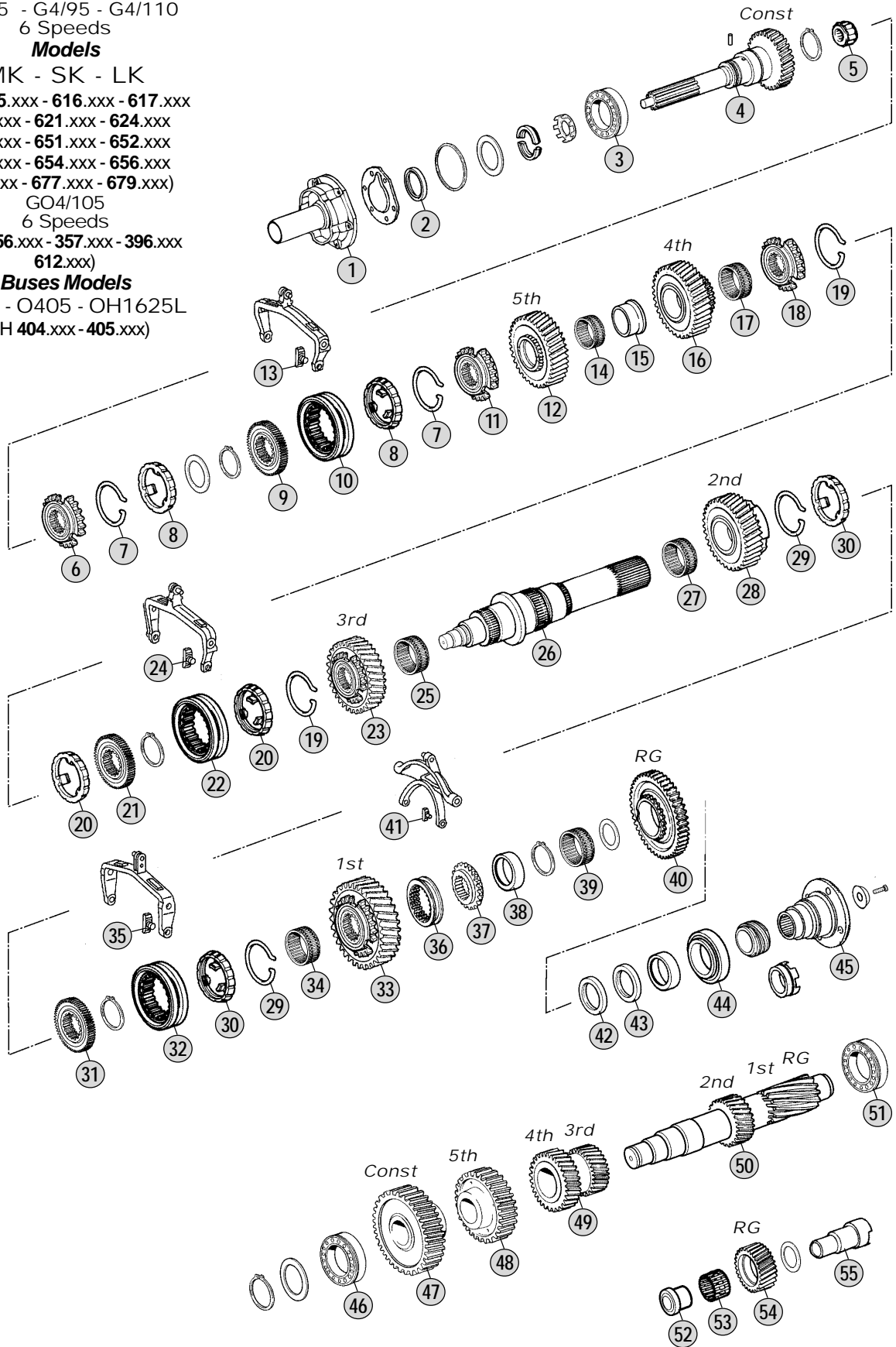
6 Speeds

(CH 356.xxx - 357.xxx - 396.xxx
 612.xxx)

Buses Models

O404 - O405 - OH1625L

(CH 404.xxx - 405.xxx)



All original equipment manufacturers' numbers, symbols, pictures, models and description used in this catalogue are for reference only, and it is not implied that any part listed is the product of these manufactures.
 Tutti i nostri particolari non sono originali ma con essi intercambiabili. I riferimenti originali, le figure, i modelli sono esposti a semplice titolo indicativo. La nostra produzione riporta il nostro marchio.

Models

G4/65-6/9,0	714.400-401-402-403-404-430-431-432-433-434-435-436-437-438-439-440-441-442
G4/95-6/9,0	714.600-601-610-614-615-616-617-618 715.100-101-102-103-111-113
GO4/105-6/7,18	714.602-606
G4/110-6/9,0	714.620-621-626-630-631-664-670-674



Fig.	CEI no.	Rif. MB	Description	Q.ty	Note				
						G4/65-6/9,0	G4/95-6/9,0	GO4/105-6/7,18	G4/110-6/9,0
27	137.199	008 981 9710	Needle Cage 102,5x109,5x49	1					●
28	145.429	387 262 0412	Gear 2nd Speed 38 T	1	(C)	●			
28	145.640	387 262 3312	Gear 2nd Speed 38 T	1	(D)	●			
28	145.636	387 262 0812	Gear 1st Speed 38 T	1	(E)		●		
28	145.635	387 262 3412	Gear 1st Speed 38 T	1	(F)		●		
28	145.651	387 262 2712	Gear 2nd Speed 42 T	1	(E)			●	
28	145.652	387 262 3912	Gear 2nd Speed 42 T	1	(F)			●	
28	145.627	387 262 0212	Gear 2nd Speed 38 T	1	(E)				●
28	145.626	387 262 3212	Gear 2nd Speed 38 T	1	(F)				●
29	111.205	387 262 0893	Elastic Ring	2		●	●	●	●
30	119.161	389 262 0737	Synchronizer Ring	2		●	●	●	●
30	119.225	389 262 3237	Synchronizer Ring	2	LONG LIFE	●	●	●	●
31	157.619	387 262 0735	Synchronizer Hub	1	(C)	●			
31	157.618	387 262 3535	Synchronizer Hub	1	(D)	●			
31	157.623	387 262 0435	Synchronizer Hub	1	(E)		●	●	●
31	157.622	387 262 3435	Synchronizer Hub	1	(F)		●	●	●
32	154.216	387 262 0623	Sliding Sleeve	1	(CE)	●	●	●	●
32	154.431	M387 262 0623	Sliding Sleeve	1	(CE) LONG LIFE	●	●	●	●
32	154.301	387 262 1323	Sliding Sleeve	1	(DF)	●	●	●	●
32	154.441	M387 262 1323	Sliding Sleeve	1	(DF) LONG LIFE	●	●	●	●
33	145.428	387 262 0411	Gear 1st Speed 50 T	1	(C)	●			
33	145.639	387 262 3011	Gear 1st Speed 50 T	1	(D)	●			
33	145.647	387 262 0911	Gear 1st Speed 50 T	1	(E)		●		
33	145.648	387 262 2611	Gear 1st Speed 50 T	1	(F)		●		
33	145.653	387 262 2011	Gear 1st Speed 49 T	1	(E)			●	
33	145.654	387 262 2911	Gear 1st Speed 49 T	1	(F)			●	
33	145.638	387 262 0211	Gear 1st Speed 50 T	1	(E)				●
33	145.657	387 262 2511	Gear 1st Speed 50 T	1	(F)				●
34	137.210	009 981 0110	Needle Cage 65x71x34,5	1		●			
34	137.186	009 981 1610	Needle Cage K85x93x37ZW	1			●	●	
34	137.198	021 981 9410	Needle Cage 85x93x45W	1					●
35	141.161	389 265 2349	Slide Fork	2	BRASS	●	●	●	●
35	141.220	M389 265 2349	Slide Fork	2	IRON	●	●	●	●
36	154.229	387 262 0023	Sliding Sleeve	1		●	●	●	●
37	157.621	387 262 0335	Synchronizer Hub	1		●			
37	157.613	387 262 0036	Synchronizer Hub	1	(G)		●	●	
37	157.612	387 262 0436	Synchronizer Hub	1	(H)		●	●	
37	157.613	387 262 0036	Synchronizer Hub	1					●
38	117.333	387 262 0850	Bush	1		●			
38	117.429	387 262 1550	Bush	1	(G)		●	●	
38	117.329	387 262 1450	Bush	1					●
39	137.209	010 981 1710	Needle Cage 66,5x73,5x29,5	1		●			
39	137.186	009 981 1610	Needle Cage K85x93x37ZW	1	(G)		●	●	
39	137.200	021 981 5710	Needle Cage 75x83x33W	1	(H)		●	●	
39	137.198	021 981 9410	Needle Cage 85x93x45W	1					●

Notes

(A) G4/65 Up to gearbox 157730
 (C) G4/65 Up to gearbox 345971
 (E) G4/95 - GO4/105 Up to gearbox 348399
 (F) G4/95 - GO4/105 From gearbox 348400
 (G) G4/95 - GO4/105 Up to gearbox 124518

(B) G4/65 From gearbox 157731
 (D) G4/65 From gearbox 345972
 G4/110 Up to gearbox 355346
 G4/110 From gearbox 355347
 (H) G4/95 - GO4/105 From gearbox 124519

Date

04 / 2011

Table

0040

Adattabile a : **MERCEDES** G4/65 - 95 - 105 - 110(6 Speeds)
Suitable To :

G4/65 - G4/95 - G4/110
6 Speeds
Models

MK - SK - LK

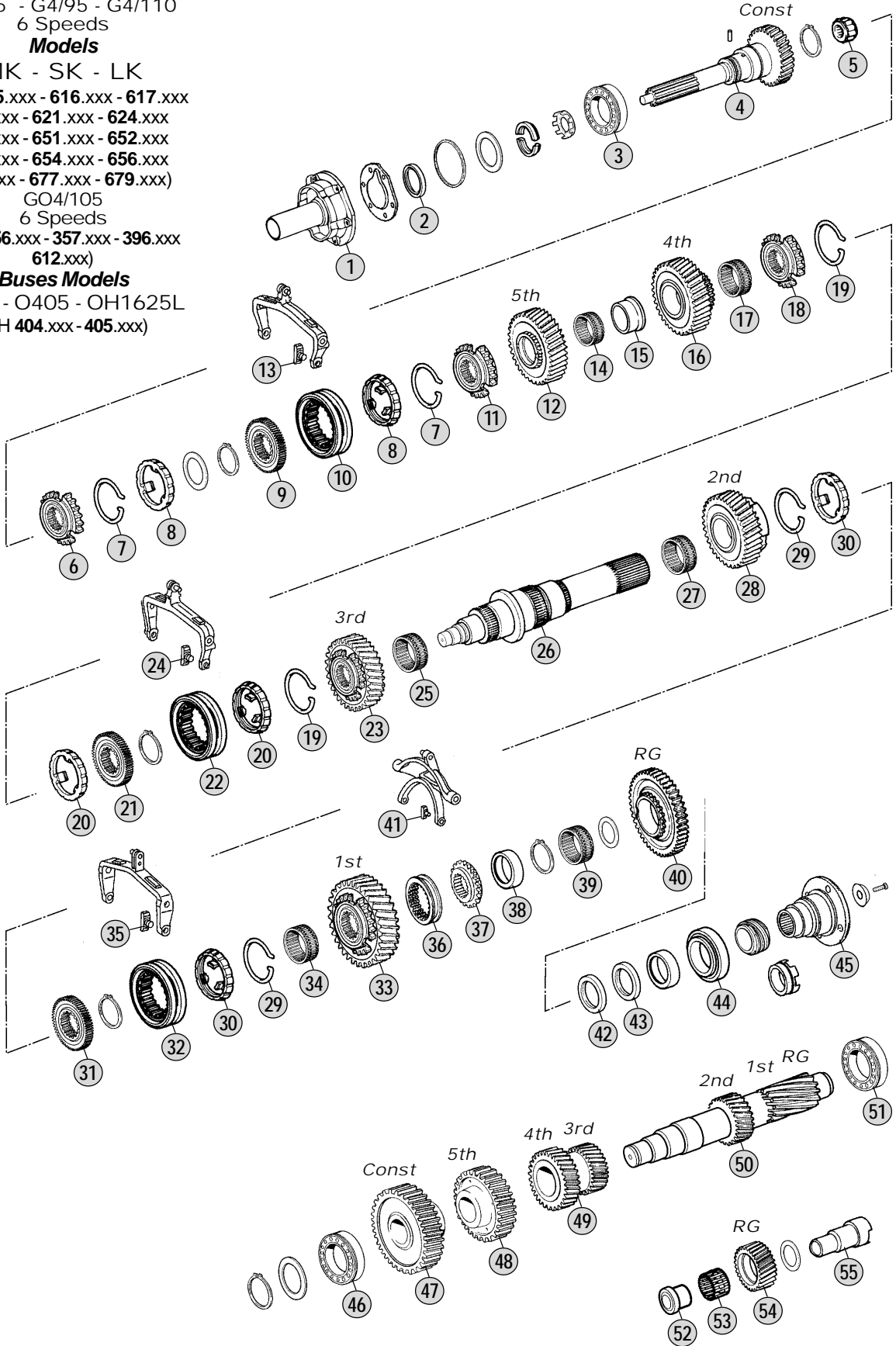
(CH 615.xxx - 616.xxx - 617.xxx
619.xxx - 621.xxx - 624.xxx
650.xxx - 651.xxx - 652.xxx
653.xxx - 654.xxx - 656.xxx
676.xxx - 677.xxx - 679.xxx)

GO4/105
6 Speeds

(CH 356.xxx - 357.xxx - 396.xxx
612.xxx)

Buses Models

O404 - O405 - OH1625L
(CH 404.xxx - 405.xxx)



All original equipment manufacturers' numbers, symbols, pictures, models and description used in this catalogue are for reference only, and it is not implied that any part listed is the product of these manufactures. Tutti i nostri particolari non sono originali ma con essi intercambiabili. I riferimenti originali, le figure, i modelli sono esposti a semplice titolo indicativo. La nostra produzione riporta il nostro marchio.

Models

G4/65-6/9,0	714.400-401-402-403-404-430-431-432-433-434-435-436-437-438-439-440-441-442
G4/95-6/9,0	714.600-601-610-614-615-616-617-618 715.100-101-102-103-111-113
GO4/105-6/7,18	714.602-606
G4/110-6/9,0	714.620-621-626-630-631-664-670-674



Fig.	CEI no.	Rif. MB	Description	Q.ty	Note				
						G4/65-6/9,0	G4/95-6/9,0	GO4/105-6/7,18	G4/110-6/9,0
40	147.175	387 262 0533	Reverse Gear 47 T	1		●			
40	147.172	387 262 0233	Reverse Gear 47 T	1	(G)		●		
40	147.170	387 262 1033	Reverse Gear 47 T	1	(H)		●		
40	147.287	387 262 0933	Reverse Gear 47 T	1	(G)		●		
40	147.288	387 262 1533	Reverse Gear 47 T	1	(H)		●		
40	147.173	387 262 0033	Reverse Gear 47 T	1					●
41	141.160	945 265 0149	Slide Fork	2		●	●	●	●
42	139.564	020 997 9947	Oil Seal 80x110x10	1		●	●	●	●
43	139.563	023 997 8547	Oil Seal 80x100x12	1		●	●	●	●
44	130.578	004 981 5525	Bearing	1		●			
44	130.572	008 981 5301	Bearing 65x140x39,5	1			●	●	●
45	197.089	387 262 0345	Output Flange D.150	1		●			
45	197.091	387 262 0845	Output Flange D.150	1		●			
45	197.090	387 262 1045	Output Flange D.150	1			●	●	●
45	197.088	387 262 0145	Output Flange D.150	1			●	●	
45	197.092	387 262 0745	Output Flange D.165	1			●		●
46	130.573	001 981 3105	Bearing 40x90x26	1		●			
46	130.571	009 981 3105	Bearing 60x100x35,5	1			●	●	●
47	146.513	387 263 0110	Constant Gear 43 T	1		●			
47	146.512	387 263 1510	Constant Gear 43 T	1			●		
47	146.514	387 263 2510	Constant Gear 44 T	1				●	
47	146.510	387 263 1810	Constant Gear 43 T	1					●
48	146.338	387 263 0115	Gear 5th Speed 34 T	1		●			
48	146.511	387 263 0215	Gear 5th Speed 34 T	1			●		
48	146.515	387 263 0815	Gear 5th Speed 38 T	1				●	
48	146.509	387 263 0015	Gear 4th Speed 34 T	1					●
49	143.088	387 263 0713	Double Gear 3rd/4th Sp.-25/21 T	1		●			
49	143.110	387 263 0613	Double Gear 3nd/4th Sp.-25/21 T	1			●		
49	143.111	387 263 1213	Double gear 4th/3rd Sp.-31/24 T	1				●	
49	143.109	387 263 1313	Double Gear 3nd/4th Sp.-25/21 T	1					●
50	105.137	387 263 0102	Countershaft 16/12 T	1		●			
50	105.136	387 263 1902	Countershaft 16/12 T	1			●		
50	105.138	387 263 2902	Countershaft 18/12 T	1				●	
50	105.135	387 263 2002	Countershaft	1					●
51	130.542	010 981 5905	Bearing 45x100x27,5	1		●			
51	130.571	009 981 3105	Bearing 60x100x35,5	1			●	●	●
52	117.332	387 263 0850	Bush	1		●	●	●	
52	117.430	387 263 0950	Bush	1	To Rev.Pin 107.237				●
52	117.331	387 263 1250	Bush	1	To Rev.Pin 107.177				●
53	137.202	010 981 5110	Needle Cage	1		●	●	●	
53	137.207	010 981 5210	Needle Cage	1					●
54	147.118	387 263 1131	Reverse Gear 21 T	1		●			
54	147.169	387 263 1231	Reverse Gear	1			●		
54	147.174	387 263 1631	Reverse Gear 20 T	1				●	
54	147.171	387 263 0631	Reverse Gear 21 T	1					●

Notes

(A) G4/65 Up to gearbox 157730
 (C) G4/65 Up to gearbox 345971
 (E) G4/95 - GO4/105 Up to gearbox 348399
 (F) G4/95 - GO4/105 From gearbox 348400
 (G) G4/95 - GO4/105 Up to gearbox 124518

(B) G4/65 From gearbox 157731
 (D) G4/65 From gearbox 345972
 G4/110 Up to gearbox 355346
 G4/110 From gearbox 355347
 (H) G4/95 - GO4/105 From gearbox 124519

Date

04 / 2011

Table

0040

Adattabile a : **MERCEDES** G4/65 - 95 - 105 - 110(6 Speeds)
 Suitable To :

G4/65 - G4/95 - G4/110
 6 Speeds

Models

MK - SK - LK

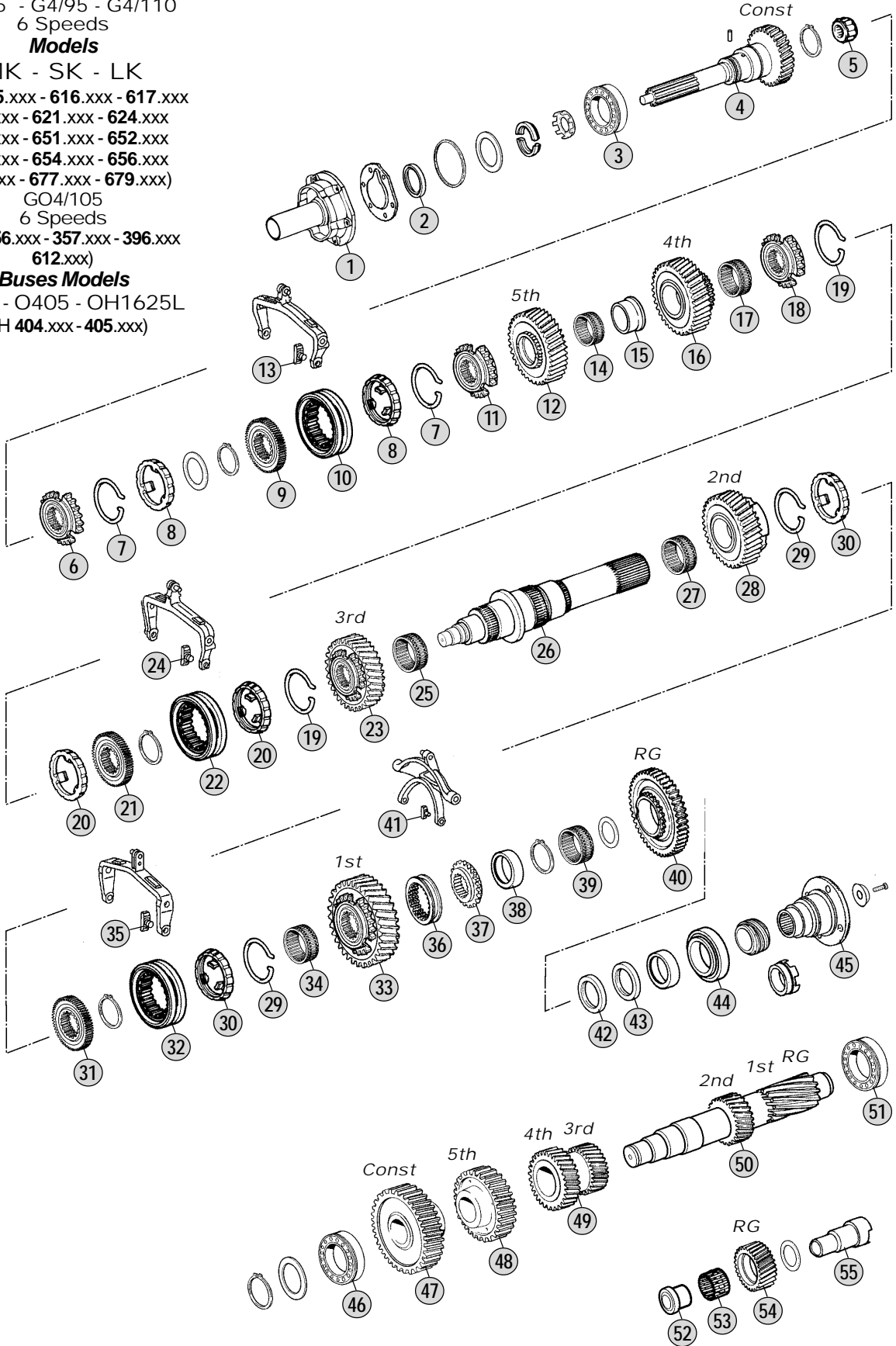
(CH 615.xxx - 616.xxx - 617.xxx
 619.xxx - 621.xxx - 624.xxx
 650.xxx - 651.xxx - 652.xxx
 653.xxx - 654.xxx - 656.xxx
 676.xxx - 677.xxx - 679.xxx)

GO4/105
 6 Speeds

(CH 356.xxx - 357.xxx - 396.xxx
 612.xxx)

Buses Models

O404 - O405 - OH1625L
 (CH 404.xxx - 405.xxx)



All original equipment manufacturers' numbers, symbols, pictures, models and description used in this catalogue are for reference only, and it is not implied that any part listed is the product of these manufactures.
 Tutti i nostri particolari non sono originali ma con essi intercambiabili. I riferimenti originali, le figure, i modelli sono esposti a semplice titolo indicativo. La nostra produzione riporta il nostro marchio.

Models

G4/65-6/9,0	714.400-401-402-403-404-430-431-432-433-434-435-436-437-438-439-440-441-442
G4/95-6/9,0	714.600-601-610-614-615-616-617-618 715.100-101-102-103-111-113
GO4/105-6/7,18	714.602-606
G4/110-6/9,0	714.620-621-626-630-631-664-670-674



Adattabile a : **MERCEDES**
 Suitable To :

GO4/120 - 130 - 160(6 Speeds)

GO4/120 - GO4/130 - GO4/160

6 Speeds

Models

LK

(CH 300.xxx - 356.xxx - 357.xxx

600.xxx - 312.xxx - 613.xxx

614.xxx - 618.xxx)

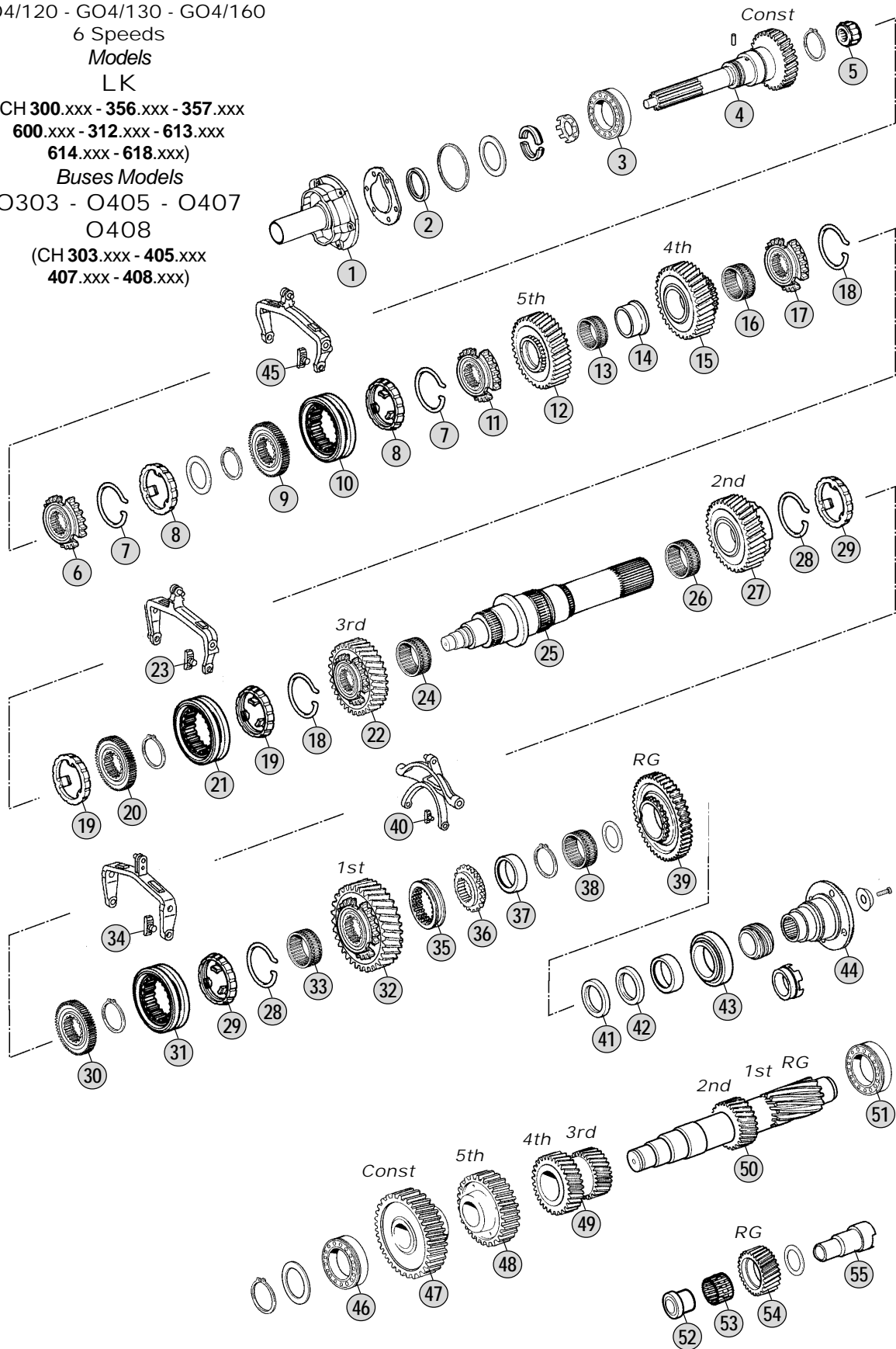
Buses Models

O303 - O405 - O407

O408

(CH 303.xxx - 405.xxx

407.xxx - 408.xxx)



Models

GO4/120-6/7,18 714.605-619

GO4/130-6/7,18 714.622-667

GO4/160-6/7,18 714.623-668-669(EPS)-671-675

All original equipment manufacturers' numbers, symbols, models and description used in this catalogue are for reference only, and it is not implied that any part listed is the product of these manufactures. Tutti i nostri particolari non sono originali ma con essi intercambiabili. I riferimenti originali, le figure, i modelli sono esposti a semplice titolo indicativo. La nostra produzione riporta il nostro marchio.

Fig.	CEI no.	Rif. MB	Description	Q.ty	Note	GO4/120-6/7, 18			GO4/130-6/7, 18			GO4/160-6/7, 18		
1	135.143	387 261 2318	Front Cover	1		●		●						
1	135.137	387 261 2218	Front Cover	1			●							
2	139.549	024 997 3047	Seal Ring 52x68x8 mm	1		●		●						
2	139.852	007 997 9647	Seal Ring	1	Old Type			●						
2	139.548	015 997 0347	Seal Ring Th.8(64x45) mm	1	New Type			●						
3	130.574	008 981 5201	Bearing 65x140x33	1		●		●		●				
4	102.303	387 262 6302	Input Shaft	1		●								
4	102.302	387 262 4502	Input Shaft 25 T	1				●						
4	102.205	387 262 6202	Input Shaft 25 T	1								●		
5	137.206	002 981 1312	Needle Cage 40x60x28	1		●		●		●				
6	109.129	387 262 5134	Synchronizer Cone	1		●		●		●				
7	111.204	387 262 1093	Elastic Ring	2		●		●		●				
8	119.112	389 262 0637	Synchronizer Ring	2		●		●		●				
8	119.226	389 262 3137	Synchronizer Ring	2	LONG LIFE	●		●		●				
9	157.611	387 262 2135	Synchronizer Hub	1		●		●		●				
10	154.215	387 262 1523	Sliding Sleeve	1		●		●		●				
10	154.430	M387 262 1523	Sliding Sleeve	1	LONG LIFE	●		●		●				
11	109.131	389 262 5634	Synchronizer Cone	1		●		●		●				
12	145.645	387 262 2215	Gear 5th Speed 27 T	1		●								
12	145.430	387 262 2515	Gear 5th Speed 27 T	1				●		●				
13	137.184	009 981 1410	Needle Cage 75x83x48	1		●								
13	137.182	008 981 8310	Needle Cage 75x83x55W	1				●		●				
14	117.330	387 262 0550	Bush H=54,00 mm	1		●								
14	117.279	387 262 0150	Bush H=61,00 mm	1				●		●				
15	145.644	387 262 3714	Gear 4th Speed 30 T	1		●								
15	145.568	387 262 4014	Gear 4th Speed 30 T	1				●		●				
16	137.187	009 981 1510	Needle Cage K78x86x35ZW	1		●								
16	137.205	008 981 9910	Needle Cage 78x86x40	1				●		●				
17	109.130	387 262 4534	Synchronizer Cone	1	(AC)	●		●		●				
17	109.343	387 262 4834	Synchronizer Cone	1	(BD)	●		●		●				
18	111.204	387 262 1093	Elastic Ring	2		●		●		●				
19	119.112	389 262 0637	Synchronizer Ring	2		●		●		●				
19	119.226	389 262 3137	Synchronizer Ring	2	LONG LIFE	●		●		●				
20	157.617	387 262 2035	Synchronizer Hub	1		●		●		●				
21	154.215	387 262 1523	Sliding Sleeve	1	(AC)	●		●		●				
21	154.430	M387 262 1523	Sliding Sleeve	1	(AC) LONG LIFE	●		●		●				
21	154.302	387 262 1423	Sliding Sleeve	1	(BD)	●		●		●				
21	154.442	M387 262 1423	Sliding Sleeve	1	(BD) LONG LIFE	●		●		●				
22	145.646	387 262 3813	Gear 3rd Speed 35 T	1	(A)	●								
22	145.650	387 262 4913	Gear 3rd Speed 35 T	1	(B)	●								
22	145.658	387 262 3713	Gear 3rd Speed 35 T	1	(C)			●		●				
22	145.659	387 262 4813	Gear 3rd Speed 35 T	1	(D)			●		●				
23	141.161	389 265 2349	Slide Fork	2	BRASS	●		●		●				
23	141.220	M389 265 2349	Slide Fork	2	IRON	●		●		●				
24	137.203	009 981 1710	Needle Cage 93x99x44	1		●								

Notes

- (A) GO4/120 Up to gearbox 348399 (B) GO4/120 From gearbox 348400
 (C) GO4/130 - 160 Up to gearbox 355346 (D) GO4/130 - 160 From gearbox 355347
 (E) GO4/120 Up to gearbox 124518 (F) GO4/120 From gearbox 124519
 (1) For Series 714.622 GO4/130 Up to gearbox 153191 is used 387 263 1602 Countershaft.
 This version is NOT interchangeable with 387 262 2802.

Date

04 / 2011

Table

0050

Adattabile a : **MERCEDES**
Suitable To :

GO4/120 - 130 - 160(6 Speeds)

GO4/120 - GO4/130 - GO4/160

6 Speeds

Models

LK

(CH 300.xxx - 356.xxx - 357.xxx

600.xxx - 312.xxx - 613.xxx

614.xxx - 618.xxx)

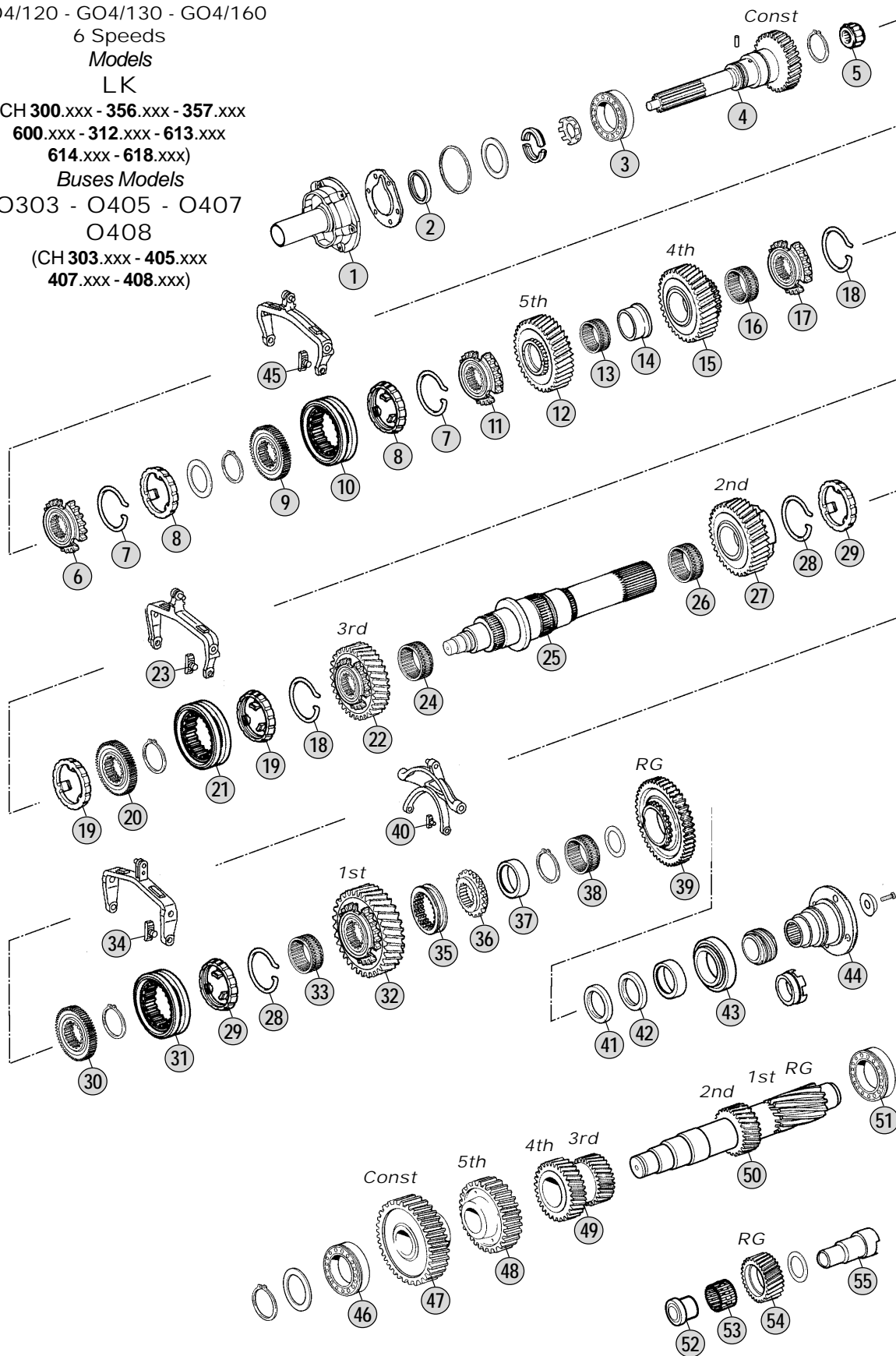
Buses Models

O303 - O405 - O407

O408

(CH 303.xxx - 405.xxx

407.xxx - 408.xxx)



All original equipment manufacturers' numbers, symbols, models and description used in this catalogue are for reference only, and it is not implied that any part listed is the product of these manufactures. Tutti i nostri particolari non sono originali ma con essi intercambiabili. I riferimenti originali, le figure, i modelli sono esposti a semplice titolo indicativo. La nostra produzione riporta il nostro marchio.

Models

GO4/120-6/7, 18 **714.605-619**

GO4/130-6/7, 18 **714.622-667**

GO4/160-6/7, 18 **714.623-668-669(EPS)-671-675**



Fig.	CEI no.	Rif. MB	Description	Q.ty	Note	GO4/120-6/7, 18	GO4/130-6/7, 18	GO4/160-6/7, 18		
24	137.204	007 981 5510	Needle Cage 92x100x49,5	1		●	●	●		
25	103.154	387 262 2105	Main Shaft	1	(E)	●				
25	103.155	387 262 2405	Main Shaft	1	(F)	●				
25	103.153	387 262 2005	Main Shaft	1			●	●		
26	137.201	009 981 1810	Needle Cage 102x100x44	1		●				
26	137.199	008 981 9710	Needle Cage 102,5x109,5x49	1			●	●		
27	145.651	387 262 2712	Gear 2nd Speed 42 T	1	(A)	●				
27	145.652	387 262 3912	Gear 2nd Speed 42 T	1	(B)	●				
27	145.660	387 262 2612	Gear 2nd Speed 42 T	1	(C)		●	●		
27	145.661	387 262 3812	Gear 2nd Speed 42 T	1	(D)		●	●		
28	111.205	387 262 0893	Elastic Ring	2		●	●	●		
29	119.161	389 262 0737	Synchronizer Ring	2		●	●	●		
29	119.225	389 262 3237	Synchronizer Ring	2	LONG LIFE	●	●	●		
30	157.623	387 262 0435	Synchronizer Hub	1	(AC)	●	●	●		
30	157.622	387 262 3435	Synchronizer Hub	1	(BD)	●	●	●		
31	154.216	387 262 0623	Sliding Sleeve	1	(AC)	●	●	●		
31	154.431	M387 262 0623	Sliding Sleeve	1	(AC) LONG LIFE	●	●	●		
31	154.301	387 262 1323	Sliding Sleeve	1	(BD)	●	●	●		
31	154.441	M387 262 1323	Sliding Sleeve	1	(BD) LONG LIFE	●	●	●		
32	145.653	387 262 2011	Gear 1st Speed 49 T	1	(A)	●				
32	145.654	387 262 2911	Gear 1st Speed 49 T	1	(B)	●				
32	145.662	387 262 1911	Gear 1st Speed 49 T	1	(C)		●	●		
32	145.663	387 262 2811	Gear 1st Speed 49 T	1	(D)		●	●		
33	137.186	009 981 1610	Needle Cage K85x93x37ZW	1		●				
33	137.198	021 981 9410	Needle Cage 85x93x45W	1			●	●		
34	141.161	389 265 2349	Slide Fork	2	BRASS	●	●	●		
34	141.220	M389 265 2349	Slide Fork	2	IRON	●	●	●		
35	154.229	387 262 0023	Sliding Sleeve	1		●	●			
35	154.229	387 262 0023	Sliding Sleeve	1	Excluded for 714.669			●		
35	154.455	387 262 0923	Sliding Sleeve	1	Only for 714.669			●		
36	157.613	387 262 0036	Synchronizer Hub	1	(E)	●				
36	157.612	387 262 0436	Synchronizer Hub	1	(F)	●				
36	157.613	387 262 0036	Synchronizer Hub	1			●	●		
37	117.429	387 262 1550	Bush	1	(E)	●				
37	117.329	387 262 1450	Bush	1			●	●		
38	137.186	009 981 1610	Needle Cage K85x93x37ZW	1	(E)	●				
38	137.200	021 981 5710	Needle Cage 75x83x33W	1	(F)	●				
38	137.198	021 981 9410	Needle Cage 85x93x45W	1			●	●		
39	147.176	387 262 1233	Reverse Gear	1	(E)	●				
39	147.177	387 262 1633	Reverse Gear 47 T	1	(F)	●				
39	147.178	387 262 0833	Reverse Gear 47 T	1			●			
39	147.179	387 262 1133	Reverse Gear 47 T	1				●		
40	141.160	945 265 0149	Slide Fork	2		●	●	●		
41	139.564	020 997 9947	Oil Seal 80x110x10	1		●	●	●		
42	139.563	023 997 8547	Oil Seal 80x100x12	1		●	●	●		

Notes

- (A) GO4/120 Up to gearbox 348399 (B) GO4/120 From gearbox 348400
 (C) GO4/130 - 160 Up to gearbox 355346 (D) GO4/130 - 160 From gearbox 355347
 (E) GO4/120 Up to gearbox 124518 (F) GO4/120 From gearbox 124519
 (1) For Series 714.622 GO4/130 Up to gearbox 153191 is used 387 263 1602 Countershaft.
 This version is NOT interchangeable with 387 262 2802.

Date

04 / 2011

Table

0050

Adattabile a : **MERCEDES**
 Suitable To :

GO4/120 - 130 - 160(6 Speeds)

GO4/120 - GO4/130 - GO4/160

6 Speeds

Models

LK

(CH 300.xxx - 356.xxx - 357.xxx

600.xxx - 312.xxx - 613.xxx

614.xxx - 618.xxx)

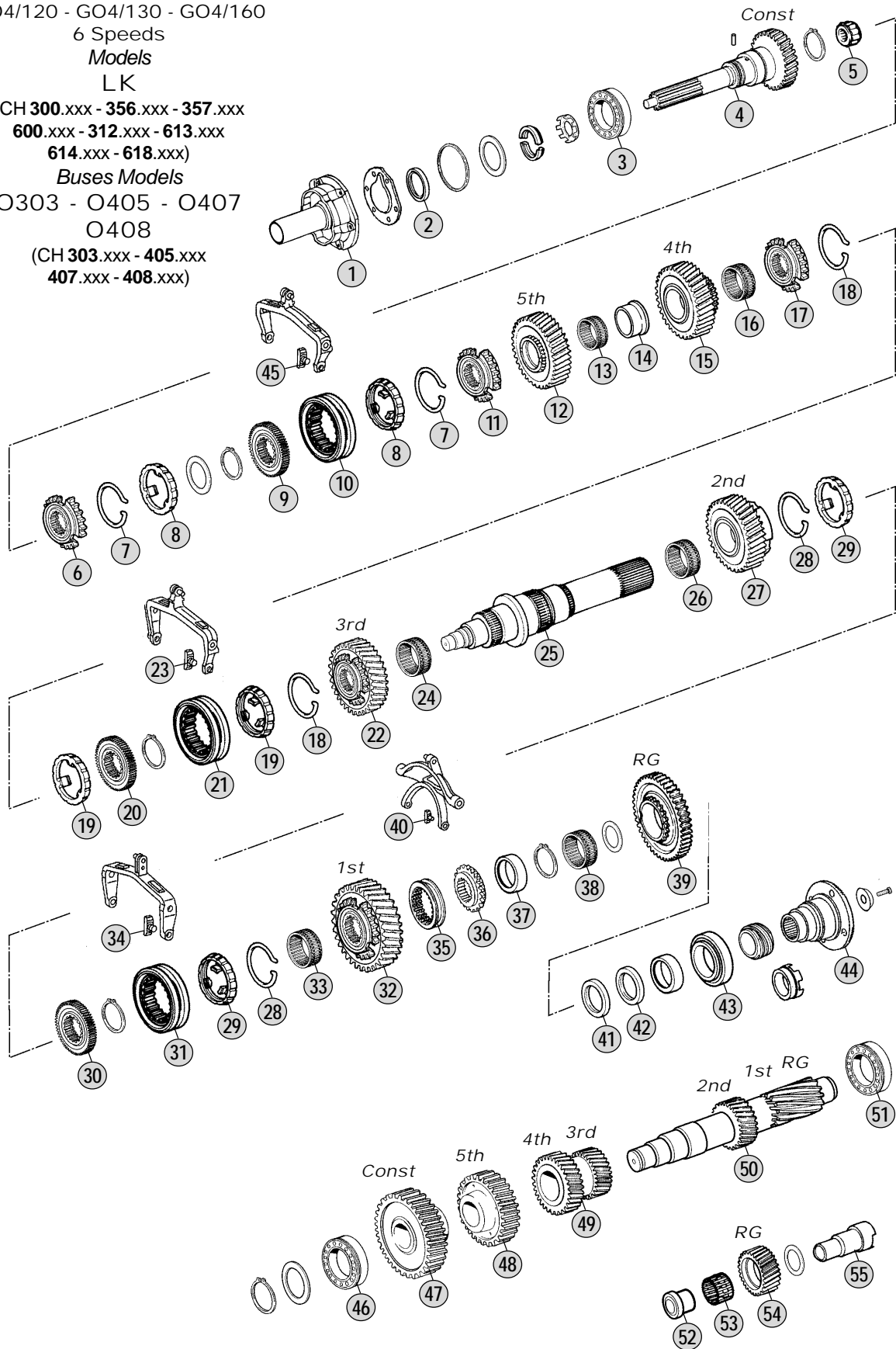
Buses Models

O303 - O405 - O407

O408

(CH 303.xxx - 405.xxx

407.xxx - 408.xxx)



Models

GO4/120-6/7,18 **714.605-619**

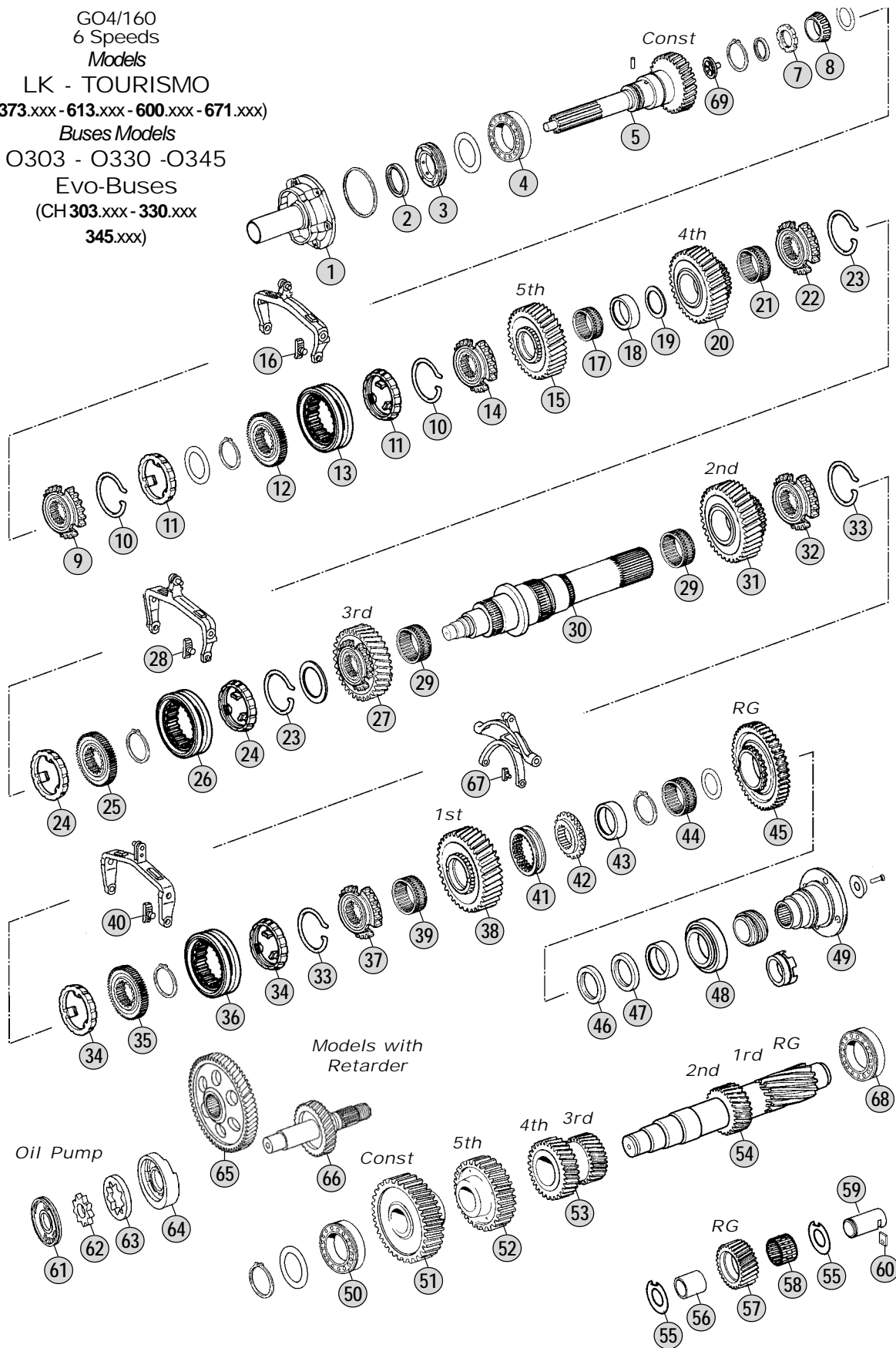
GO4/130-6/7,18 **714.622-667**

GO4/160-6/7,18 **714.623-668-669(EPS)-671-675**

All original equipment manufacturers' numbers, symbols, models and description used in this catalogue are for reference only, and it is not implied that any part listed is the product of these manufactures. Tutti i nostri particolari non sono originali ma con essi intercambiabili. I riferimenti originali, le figure, i modelli sono esposti a semplice titolo indicativo. La nostra produzione riporta il nostro marchio.

Adattabile a : **MERCEDES**
Suitable To :

GO4/160
6 Speeds
Models
LK - TOURISMO
(CH 373.xxx - 613.xxx - 600.xxx - 671.xxx)
Buses Models
O303 - O330 -O345
Evo-Buses
(CH 303.xxx - 330.xxx
345.xxx)



Models

GO4/160-6/8,2 714.690-691(EPS)-692-693-696(MPS)-697(MPS)-698(MPS)-699

All original equipment manufacturers' numbers, symbols, pictures, models and description used in this catalogue are for reference only, and it is not implied that any part listed is the product of these manufactures. Tutti i nostri particolari non sono originali ma con essi intercambiabili. I riferimenti originali, le figure, i modelli sono esposti a semplice titolo indicativo. La nostra produzione riporta il nostro marchio.

Fig.	CEI no.	Rif. MB	Description	Q.ty	Note	GO4/160-6/8,2				
1	135.144	389 261 4318	Front Cover	1		●				
2	139.549	024 997 3047	Seal Ring 52x68x8 mm	1		●				
3	139.555	389 261 0865	Diaphragm	1		●				
4	130.550	011 981 1305	Bearing 75x140x34,3	1		●				
5	102.263	389 262 3102	Input Shaft 26 T	1		●				
5	102.473	656 262 0402	Input Shaft 26 T	1		●				
5	102.474	656 262 0602	Input Shaft 26 T	1		●				
7	187.611	945 990 0050	Nut M30x1,5	1		●				
8	130.558	015 981 1605	Bearing 39,65x82,3x41	1		●				
9	109.328	389 262 1134	Synchronizer Cone	1	(A)	●				
9	109.348	389 262 8534	Synchronizer Cone	1	(B)	●				
10	111.204	387 262 1093	Elastic Ring	2		●				
11	119.112	389 262 0637	Synchronizer Ring	2		●				
11	119.226	389 262 3137	Synchronizer Ring	2	LONG LIFE	●				
12	157.628	389 262 1935	Synchronizer Hub	1	(A)	●				
12	157.625	389 262 4535	Synchronizer Hub	1	(B)	●				
13	154.221	945 262 0323	Sliding Sleeve	1	(A)	●				
13	154.408	M945 262 0323	Sliding Sleeve	1	(A) LONG LIFE	●				
13	154.303	389 262 2023	Sliding Sleeve	1	(B)	●				
13	154.443	M389 262 2023	Sliding Sleeve	1	(B) LONG LIFE	●				
14	109.329	945 262 4034	Synchronizer Cone	1	(A)	●				
14	109.333	945 262 5134	Synchronizer Cone	1	(B)	●				
15	145.567	389 262 0215	Gear 5th Speed 30 T	1		●				
16	141.165	947 265 0349	Slide Fork	2	BRASS	●				
16	141.221	M947 265 0349	Slide Fork	2	IRON	●				
17	137.213	011 981 7610	Needle Cage	1		●				
18	117.335	389 262 0650	Bush H=58,00 mm	1		●				
19	169.805	389 262 9052	Thrust Washer	1		●				
20	145.569	389 262 0914	Gear 4th Speed 35 T	1	With Washer Fig.19	●				
20	244.050	389 262 1014	Gear 4th Speed	1	W/out Washer Fig.19	●				
21	137.187	009 981 1510	Needle Cage K78x86x35ZW	1		●				
22	109.335	945 262 0334	Synchronizer Cone	1	(A)	●				
22	109.349	945 262 5034	Synchronizer Cone	1	(B)	●				
23	111.204	387 262 1093	Elastic Ring	2		●				
24	119.112	389 262 0637	Synchronizer Ring	2		●				
24	119.226	389 262 3137	Synchronizer Ring	2	LONG LIFE	●				
25	157.629	389 262 2735	Synchronizer Hub	1	(A)	●				
25	157.624	389 262 4435	Synchronizer Hub	1	(B)	●				
26	154.221	945 262 0323	Sliding Sleeve	1	(A)	●				
26	154.408	M945 262 0323	Sliding Sleeve	1	(A) LONG LIFE	●				
26	154.303	389 262 2023	Sliding Sleeve	1	(B)	●				
26	154.443	M389 262 2023	Sliding Sleeve	1	(B) LONG LIFE	●				
27	145.813	976 262 1113	Gear 3rd Speed 47 T	1	(A)	●				
27	145.666	389 262 4013	Gear 3rd Speed 47 T	1	(B)	●				
28	141.165	947 265 0349	Slide Fork	2	BRASS	●				

Notes

(A) Up to gearbox 439235
(C) Up to gearbox 372851

(B) From gearbox 439236
(D) From gearbox 372852

Date

04 / 2011

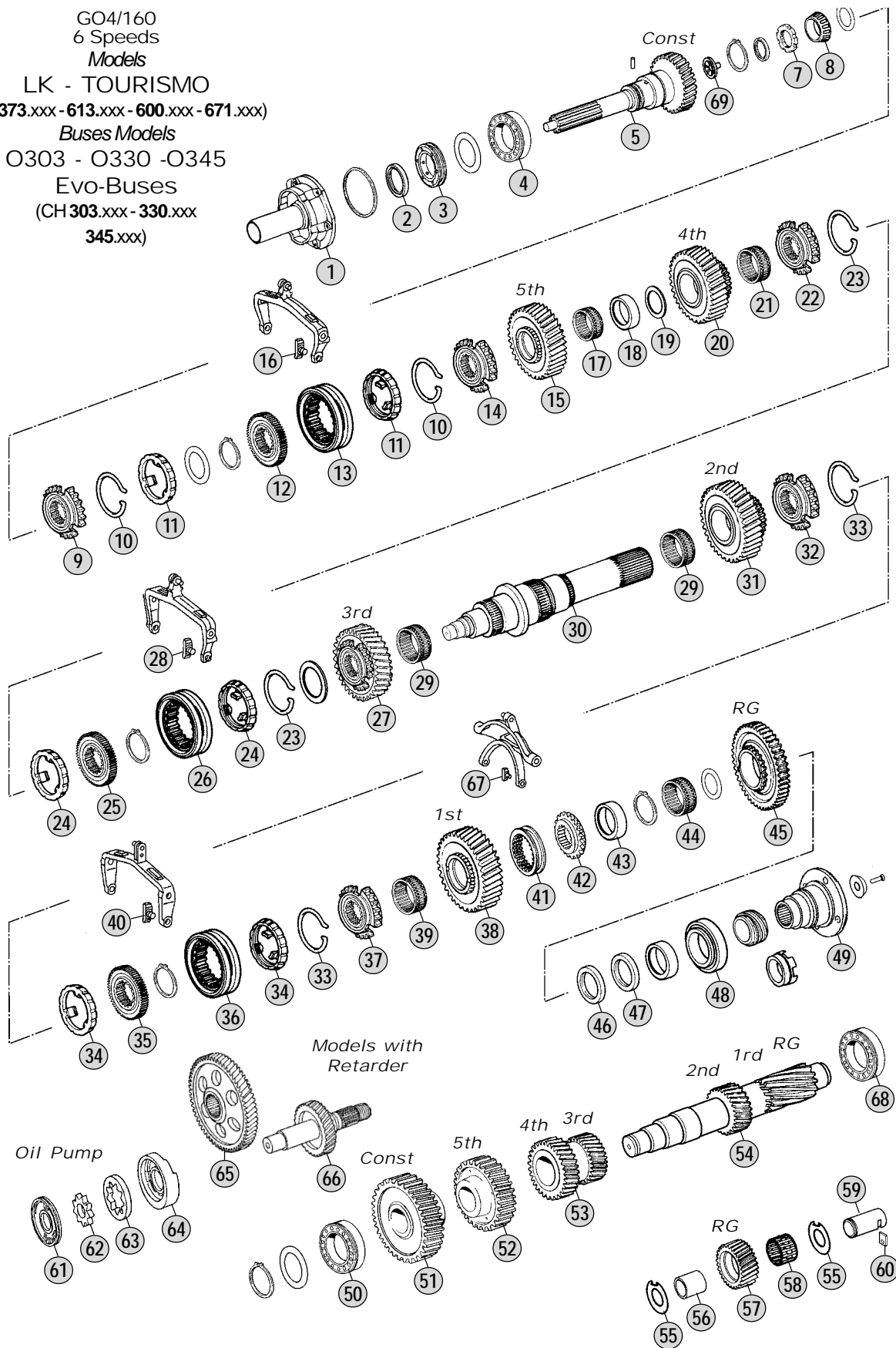
Table

0060

All original equipment manufacturers numbers, symbols, pictures, models and description used in this catalogue are for reference only, and it is not implied that any part listed is the product of these manufactures.
Tutti i nostri particolari non sono originali ma con essi intercambiabili. I riferimenti originali, le figure, i modelli sono esposti a semplice titolo indicativo. La nostra produzione riporta il nostro marchio.

Adattabile a : **MERCEDES**
Suitable To :

GO4/160
6 Speeds
Models
LK - TOURISMO
(CH 373.xxx - 613.xxx - 600.xxx - 671.xxx)
Buses Models
O303 - O330 -O345
Evo-Buses
(CH 303.xxx - 330.xxx
345.xxx)



Models

GO4/160-6/8,2 714.690-691(EPS)-692-693-696(MPS)-697(MPS)-698(MPS)-699

All original equipment manufacturers' numbers, symbols, pictures, models and description used in this catalogue are for reference only, and it is not implied that any part listed is the product of these manufactures. Tutti i nostri particolari non sono originali ma con essi intercambiabili. I riferimenti originali, le figure, i modelli sono esposti a semplice titolo indicativo. La nostra produzione riporta il nostro marchio.

Fig.	CEI no.	Rif. MB	Description	Q.ty	Note	GO4/160-6/8,2				
28	141.221	M947 265 0349	Slide Fork	2	IRON	●				
29	137.204	007 981 5510	Needle Cage 92x100x49,5	2		●				
30	103.159	389 262 1705	Main Shaft	1	(C)	●				
30	103.160	389 262 4405	Main Shaft	1	(D)	●				
31	145.665	389 262 3312	Gear 2nd Speed 45 T	1		●				
32	109.187	945 262 0434	Synchronizer Cone	1	(A)	●				
32	109.351	945 262 4934	Synchronizer Cone	1	(B)	●				
33	111.205	387 262 0893	Elastic Ring	2		●				
34	119.161	389 262 0737	Synchronizer Ring	2		●				
34	119.225	389 262 3237	Synchronizer Ring	2	LONG LIFE	●				
35	157.627	389 262 1135	Synchronizer Hub	1	(A)	●				
35	157.631	389 262 5635	Synchronizer Hub	1	(B)	●				
36	154.220	945 262 0423	Sliding Sleeve	1	(A)	●				
36	154.409	M945 262 0423	Sliding Sleeve	1	(A) LONG LIFE	●				
36	154.304	389 262 2123	Sliding Sleeve	1	(B)	●				
36	154.444	M389 262 2123	Sliding Sleeve	1	(B) LONG LIFE	●				
37	109.187	945 262 0434	Synchronizer Cone	1	(A)	●				
37	109.350	945 262 4834	Synchronizer Cone	1	(B)	●				
38	145.694	389 262 1911	Gear 1st Speed 50 T	1		●				
39	137.198	021 981 9410	Needle Cage 85x93x45W	1		●				
40	141.165	947 265 0349	Slide Fork	2	BRASS	●				
40	141.221	M947 265 0349	Slide Fork	2	IRON	●				
41	154.224	389 262 1723	Sliding Sleeve	1	With 157.630	●				
41	154.223	389 262 1823	Sliding Sleeve	1	With 157.626	●				
42	157.630	389 262 4135	Synchronizer Hub	1	With 154.224	●				
42	157.626	389 262 4235	Synchronizer Hub	1	With 154.223	●				
43	117.434	389 262 0950	Bush	1	(C)	●				
43	117.336	389 262 1750	Bush	1	(D)	●				
44	137.198	021 981 9410	Needle Cage 85x93x45W	1		●				
45	147.181	389 262 1333	Reverse Gear 47 T	1		●				
46	139.564	020 997 9947	Oil Seal 80x110x10	1		●				
47	139.563	023 997 8547	Oil Seal 80x100x12	1		●				
48	130.580	009 981 8905	Bearing	1	(C)	●				
48	130.581	012 981 3705	Bearing 65x140x13,5	1	(D)	●				
49	197.093	976 262 0145	Output Flange D.150mm	1	Up to Gearbox 498149	●				
49	197.166	947 262 0345	Output Flange D.150mm	1	From Gearbox 498150	●				
49	197.187	629 262 0245	Output Flange D.150 mm	1		●				
49	197.191	629 262 0045	Output Flange D.150 mm	1		●				
49	197.186	387 264 2445	Output Flange D.162 mm	1	For TELMA Retarder	●				
49	197.188	387 264 3445	Output Flange D.180 mm	1		●				
49	197.192	629 262 0145	Output Flange D.180 mm	1		●				
49	197.201	656 262 0145	Output Flange D.180mm	1		●				
49	197.190	387 264 3245	Output Flange D.182mm	1		●				
49	197.189	656 262 0045	Output Flange D.249 mm	1		●				
50	130.554	014 981 1405	Bearing 50,8x100x35	1		●				

Notes

(A) Up to gearbox 439235
(C) Up to gearbox 372851

(B) From gearbox 439236
(D) From gearbox 372852

Date

04 / 2011

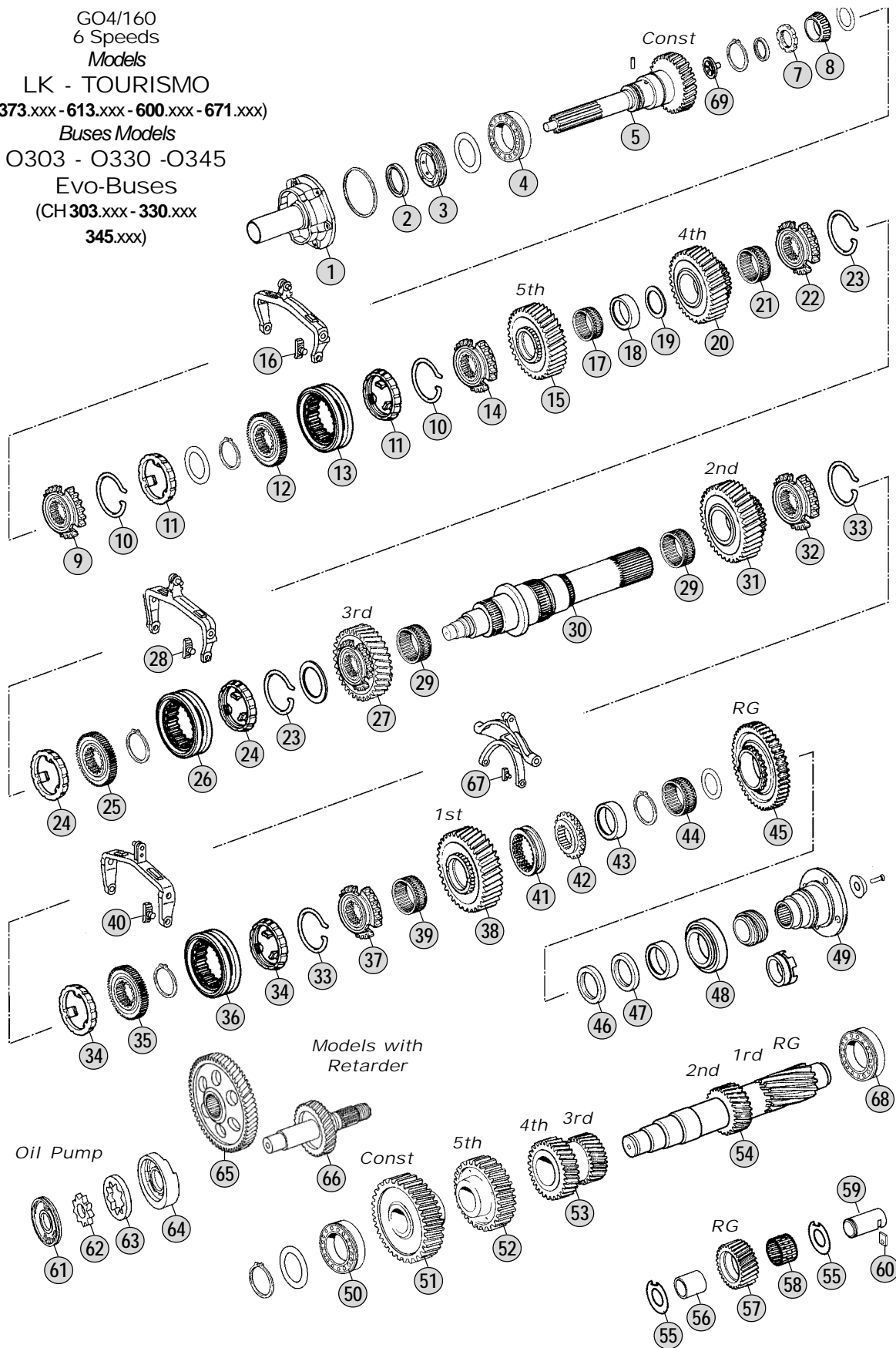
Table

0060

All original equipment manufacturers numbers, symbols, pictures, models and description used in this catalogue are for reference only, and it is not implied that any part listed is the product of these manufactures.
Tutti i nostri particolari non sono originali ma con essi intercambiabili. I riferimenti originali, le figure, i modelli sono esposti a semplice titolo indicativo. La nostra produzione riporta il nostro marchio.

Adattabile a : **MERCEDES**
Suitable To :

GO4/160
6 Speeds
Models
LK - TOURISMO
(CH 373.xxx - 613.xxx - 600.xxx - 671.xxx)
Buses Models
O303 - O330 -O345
Evo-Buses
(CH 303.xxx - 330.xxx
345.xxx)



Models

GO4/160-6/8,2 714.690-691(EPS)-692-693-696(MPS)-697(MPS)-698(MPS)-699

All original equipment manufacturers' numbers, symbols, pictures, models and description used in this catalogue are for reference only, and it is not implied that any part listed is the product of these manufactures. Tutti i nostri particolari non sono originali ma con essi intercambiabili. I riferimenti originali, le figure, i modelli sono esposti a semplice titolo indicativo. La nostra produzione riporta il nostro marchio.

Adattabile a : **MERCEDES**
 Suitable To :

Modelli Cambio/ Gearbox Models
 G4/65 - G4/95 (7 Speeds)

G4/65 - G4/95
 7 Speeds

Models

MK - SK - LK

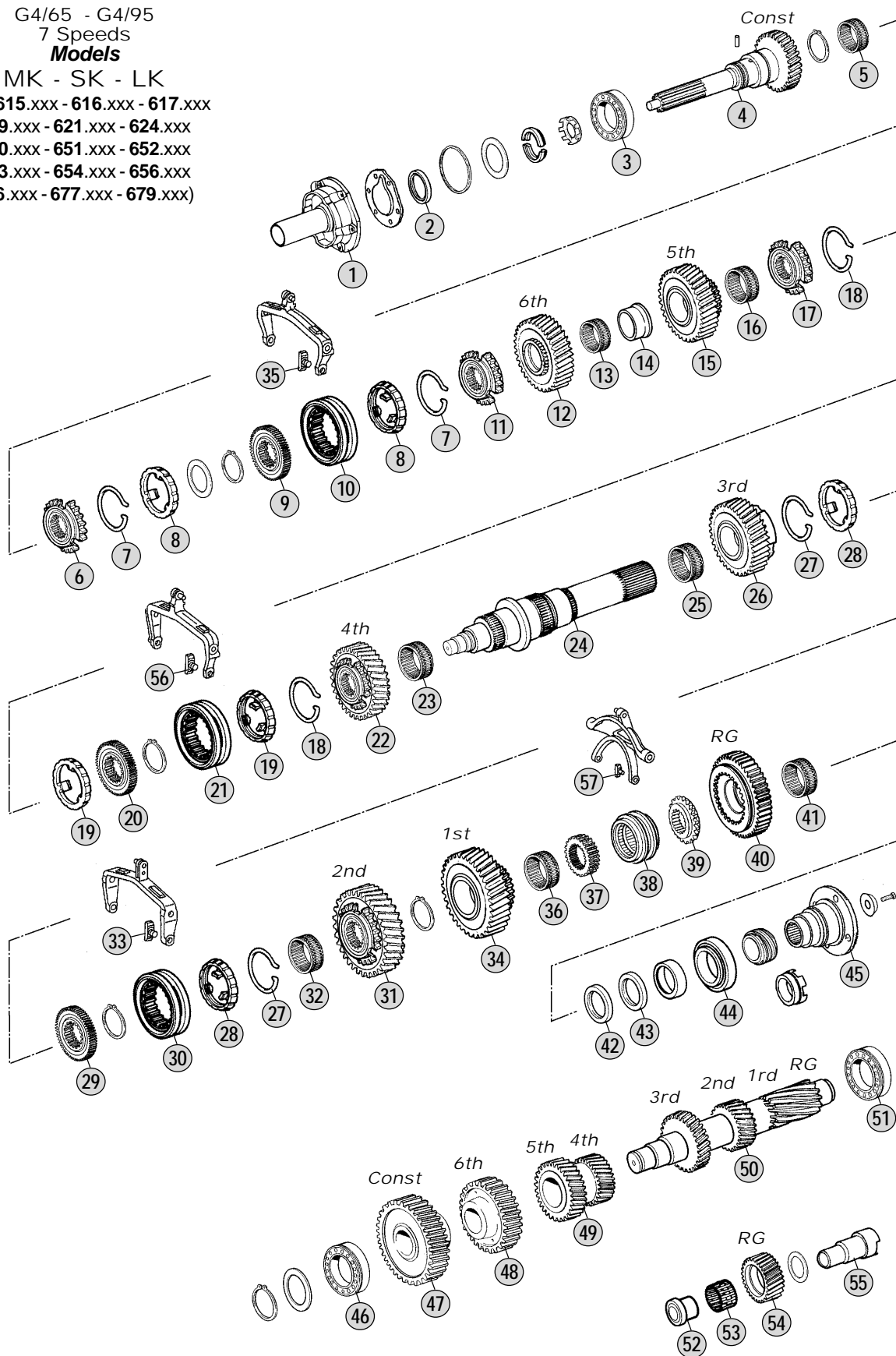
(CH 615.xxx - 616.xxx - 617.xxx

619.xxx - 621.xxx - 624.xxx

650.xxx - 651.xxx - 652.xxx

653.xxx - 654.xxx - 656.xxx

676.xxx - 677.xxx - 679.xxx)



All original equipment manufacturers' numbers, symbols, pictures, models and description used in this catalogue are for reference only, and it is not implied that any part listed is the product of these manufactures. Tutti i nostri particolari non sono originali ma con essi intercambiabili. I riferimenti originali, le figure, i modelli sono esposti a semplice titolo indicativo. La nostra produzione riporta il nostro marchio.

Models

G4/65-7/11,0 714.500-501-502-530-531-532-533-534-535-536

G4/95-7/11,0 714.640-641-642-643-644-650-651-652-653-654-655

Fig.	CEI no.	Rif. MB	Description	Q.ty	Note	G4/65-7/11,0	G4/95-7/11,0			
1	135.141	387 261 2418	Front Cover	1	(A) Excl.714.531-534-535-536	●				
1	135.145	387 261 2018	Front Cover	1	(B) Excl.714.531-534-535-536	●				
1	135.196	387 261 2618	Front Cover	1	Only 714.531	●				
1	135.137	387 261 2218	Front Cover	1	714.640-650-651-652-653-654		●			
1	135.139	389 261 0018	Front Cover	1	714.641-643-655		●			
1	135.138	387 261 2918	Front Cover	1	714.642-644		●			
2	139.852	007 997 9647	Seal Ring	1	Old Type	●				
2	139.548	015 997 0347	Seal Ring Th.8(64x45) mm	1	New Type	●				
2	139.548	015 997 0347	Seal Ring Th.8(64x45) mm	1	714.640-650-651-652-653-654		●			
2	139.549	024 997 3047	Seal Ring 52x68x8 mm	1	714.641-642-643-644-655		●			
3	130.576	008 981 9501	Bearing	1	(A)	●				
3	130.577	007 981 2001	Bearing 60x110x22	1	(B)	●				
3	130.574	008 981 5201	Bearing 65x140x33	1			●			
4	102.306	387 262 6102	Input Shaft 19 T	1	Excluded 714.502-531	●				
4	102.304	387 262 7702	Input Shaft	1	Only 714.502	●				
4	102.310	387 262 5202	Input Shaft	1	Only 714.531	●				
4	102.309	387 262 4602	Input Shaft	1	714.640-650-651-652-653-654		●			
4	102.307	387 262 6802	Input Shaft	1	714.641-655		●			
4	102.305	652 262 0002	Input Shaft	1	714.643		●			
4	102.308	387 262 7502	Input Shaft	1	714.642-644		●			
5	130.579	002 981 1412	Needle Bearing	1		●	●			
6	109.352	387 262 5234	Synchronizer Cone	1		●	●			
7	111.204	387 262 1093	Elastic Ring	2		●	●			
8	119.112	389 262 0637	Synchronizer Ring	2		●	●			
8	119.226	389 262 3137	Synchronizer Ring	2	LONG LIFE	●	●			
9	157.614	387 262 0935	Synchronizer Hub	1		●	●			
10	154.215	387 262 1523	Sliding Sleeve	1		●	●			
10	154.430	M387 262 1523	Sliding Sleeve	1	LONG LIFE	●	●			
11	109.346	387 262 4934	Synchronizer Cone	1		●	●			
12	145.667	387 262 0416	Gear 6th Speed	1		●				
12	145.671	387 262 0316	Gear 6th Speed 19 T	1			●			
13	137.220	009 981 3610	Needle Cage	1		●				
13	137.215	010 981 9510	Needle Cage	1			●			
14	117.339	387 262 0750	Bush	1		●				
14	117.337	387 262 1350	Bush	1			●			
15	145.679	387 262 1815	Gear 5th Speed	1		●				
15	145.669	387 262 2615	Gear 5th Speed	1			●			
16	137.226	009 981 3510	Needle Cage	1		●				
16	137.217	000 981 6712	Needle Cage	1			●			
17	109.130	387 262 4534	Synchronizer Cone	1	(CE)	●	●			
17	109.343	387 262 4834	Synchronizer Cone	1	(DF)	●	●			
18	111.204	387 262 1093	Elastic Ring	2		●	●			
19	119.112	389 262 0637	Synchronizer Ring	2		●	●			
19	119.226	389 262 3137	Synchronizer Ring	2	LONG LIFE	●	●			
20	157.639	387 262 1835	Synchronizer Hub	1		●				

All original equipment manufacturers numbers, symbols, pictures, models and description used in this catalogue are for reference only, and it is not implied that any part listed is the product of these manufactures. Tutti i nostri particolari non sono originali ma con essi intercambiabili. I riferimenti originali, le figure, i modelli sono esposti a semplice titolo indicativo. La nostra produzione riporta il nostro marchio.

Notes

- (A) G4/65 Up to gearbox 157730
 (B) G4/65 From gearbox 157731
 (C) G4/65 Up to gearbox 345691
 (D) G4/65 From gearbox 345692
 (E) G4/95 Up to gearbox 348399
 (F) G4/95 From gearbox 348400
 (G) G4/95 Up to gearbox 088676
 (H) G4/95 From gearbox 088677
 (I) Use with Note E or Note F for synchro parts and Note G or Note H for other parts

Date

04 / 2011

Table

0070

Adattabile a : **MERCEDES**
Suitable To :

Modelli Cambio/ Gearbox Models
G4/65 - G4/95 (7 Speeds)

G4/65 - G4/95
7 Speeds

Models

MK - SK - LK

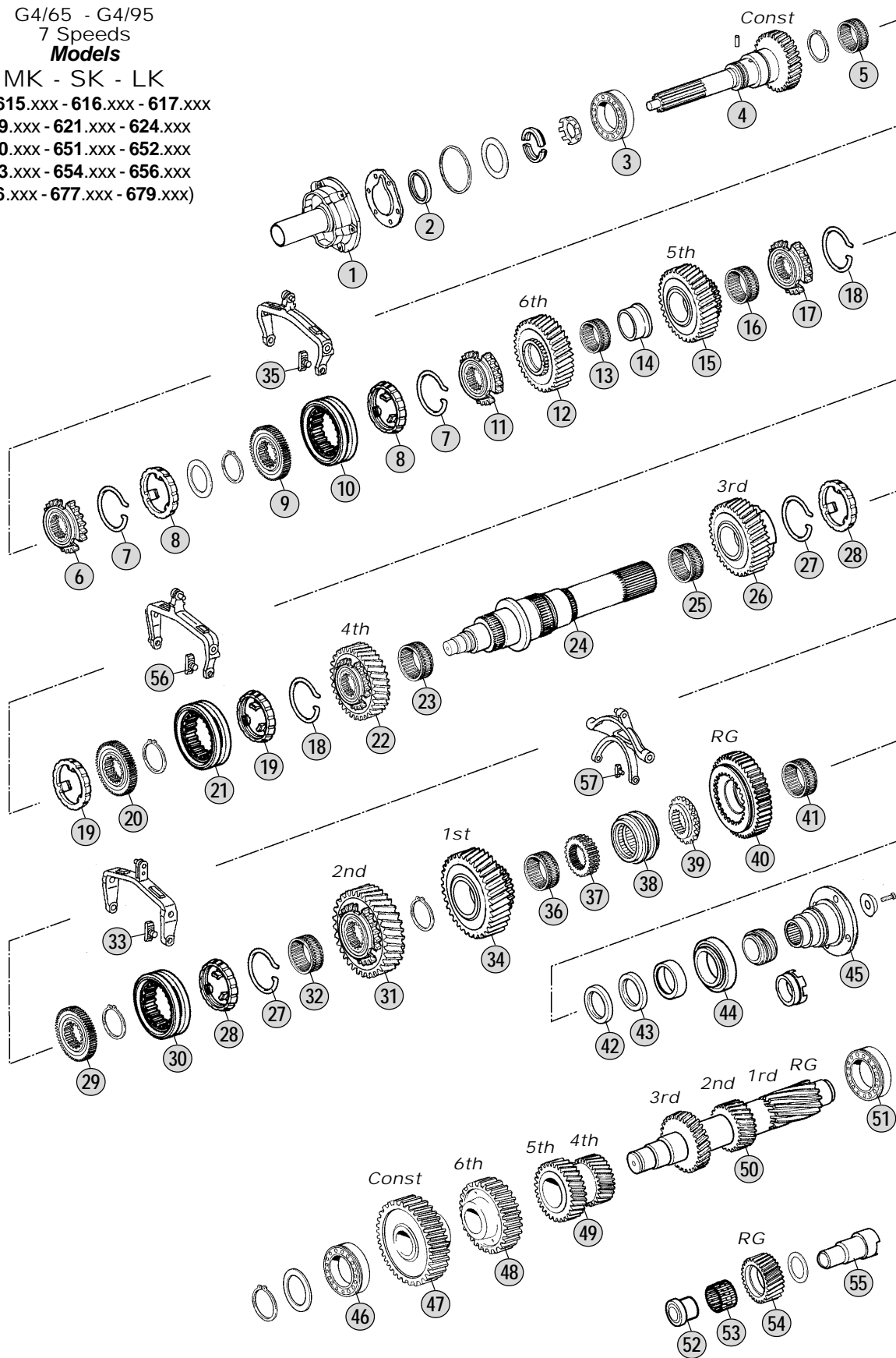
(CH 615.xxx - 616.xxx - 617.xxx

619.xxx - 621.xxx - 624.xxx

650.xxx - 651.xxx - 652.xxx

653.xxx - 654.xxx - 656.xxx

676.xxx - 677.xxx - 679.xxx)



Models

G4/65-7/11,0 714.500-501-502-530-531-532-533-534-535-536

G4/95-7/11,0 714.640-641-642-643-644-650-651-652-653-654-655

All original equipment manufacturers' numbers, symbols, pictures, models and description used in this catalogue are for reference only, and it is not implied that any part listed is the product of these manufactures. Tutti i nostri particolari non sono originali ma con essi intercambiabili. I riferimenti originali, le figure, i modelli sono esposti a semplice titolo indicativo. La nostra produzione riporta il nostro marchio.



Fig.	CEI no.	Rif. MB	Description	Q.ty	Note	G4/65-7/11,0	G4/95-7/11,0			
20	157.617	387 262 2035	Synchronizer Hub	1			●			
21	154.215	387 262 1523	Sliding Sleeve	1	(CE)	●	●			
21	154.430	M387 262 1523	Sliding Sleeve	1	(CE) LONG LIFE	●	●			
21	154.302	387 262 1423	Sliding Sleeve	1	(DF)	●	●			
21	154.442	M387 262 1423	Sliding Sleeve	1	(DF) LONG LIFE	●	●			
22	145.680	387 262 2514	Gear 4th Speed	1	(C)	●				
22	145.681	387 262 4214	Gear 4th Speed	1	(D)	●				
22	145.670	387 262 2814	Gear 4th Speed 25 T	1	(E)		●			
22	145.672	387 262 4414	Gear 4th Speed	1	(F)		●			
23	137.186	009 981 1610	Needle Cage K85x93x37ZW	1		●				
23	137.216	010 981 9310	Needle Cage	1			●			
24	103.161	387 262 1805	Main Shaft	1		●				
24	103.157	387 262 1905	Main Shaft	1			●			
25	137.186	009 981 1610	Needle Cage K85x93x37ZW	1		●				
25	137.201	009 981 1810	Needle Cage 102x100x44	1			●			
26	145.684	387 262 3613	Gear 2nd Speed	1	(C)	●				
26	145.685	387 262 5113	Gear 3rd Speed	1	(D)	●				
26	145.674	387 262 3113	Gear 3rd Speed 34 D	1	(E)		●			
26	145.673	387 262 5013	Gear 3rd Speed	1	(F)		●			
27	111.205	387 262 0893	Elastic Ring	2		●	●			
28	119.161	389 262 0737	Synchronizer Ring	2		●	●			
28	119.225	389 262 3237	Synchronizer Ring	2	LONG LIFE	●	●			
29	157.213	389 262 0035	Synchronizer Hub	1	(C)	●				
29	157.640	389 262 3435	Synchronizer Hub	1	(D)	●				
29	157.623	387 262 0435	Synchronizer Hub	1	(E)		●			
29	157.622	387 262 3435	Synchronizer Hub	1	(F)		●			
30	154.216	387 262 0623	Sliding Sleeve	1	(CE)	●	●			
30	154.431	M387 262 0623	Sliding Sleeve	1	(CE) LONG LIFE	●	●			
30	154.301	387 262 1323	Sliding Sleeve	1	(DF)	●	●			
30	154.441	M387 262 1323	Sliding Sleeve	1	(DF) LONG LIFE	●	●			
31	145.682	387 262 2412	Gear 2nd Speed	1	(C)	●				
31	145.683	387 262 3712	Gear 2nd Speed	1	(D)	●				
31	145.668	387 262 1912	Gear 2nd Speed	1	(E)(G)(1)		●			
31	145.676	387 262 2912	Gear 2nd Speed	1	(E)(H)(1)		●			
31	145.675	387 262 4012	Gear 2nd Speed	1	(F)(H)(1)		●			
32	137.211	010 981 1210	Needle Cage 75,5x82,5x39,5	1		●				
32	137.198	021 981 9410	Needle Cage 85x93x45W	1			●			
33	141.161	389 265 2349	Slide Fork	2	BRASS	●	●			
33	141.220	M389 265 2349	Slide Fork	2	IRON	●	●			
34	145.686	387 262 1511	Gear 1st Speed	1		●				
34	145.677	387 262 1811	Gear 1st Speed	1	(G)		●			
34	145.678	387 262 2211	Gear 1st Speed	1	(H)		●			
35	141.161	389 265 2349	Slide Fork	2	BRASS	●	●			
35	141.220	M389 265 2349	Slide Fork	2	IRON	●	●			
36	137.214	009 981 3110	Needle Cage	1		●				

Notes

- (A) G4/65 Up to gearbox 157730
 (B) G4/65 From gearbox 157731
 (C) G4/65 Up to gearbox 345691
 (D) G4/65 From gearbox 345692
 (E) G4/95 Up to gearbox 348399
 (F) G4/95 From gearbox 348400
 (G) G4/95 Up to gearbox 088676
 (H) G4/95 From gearbox 088677
 (I) Use with Note E or Note F for synchro parts and Note G or Note H for other parts

Date

04 / 2011

Table

0070

All original equipment manufacturers numbers, symbols, pictures, models and description used in this catalogue are for reference only, and it is not implied that any part listed is the product of these manufactures.
 Tutti i nostri particolari non sono originali ma con essi intercambiabili. I riferimenti originali, le figure, i modelli sono esposti a semplice titolo indicativo. La nostra produzione riporta il nostro marchio.

Adattabile a : **MERCEDES**
 Suitable To :

Modelli Cambio/ Gearbox Models
G4/65 - G4/95 (7 Speeds)

G4/65 - G4/95
 7 Speeds

Models

MK - SK - LK

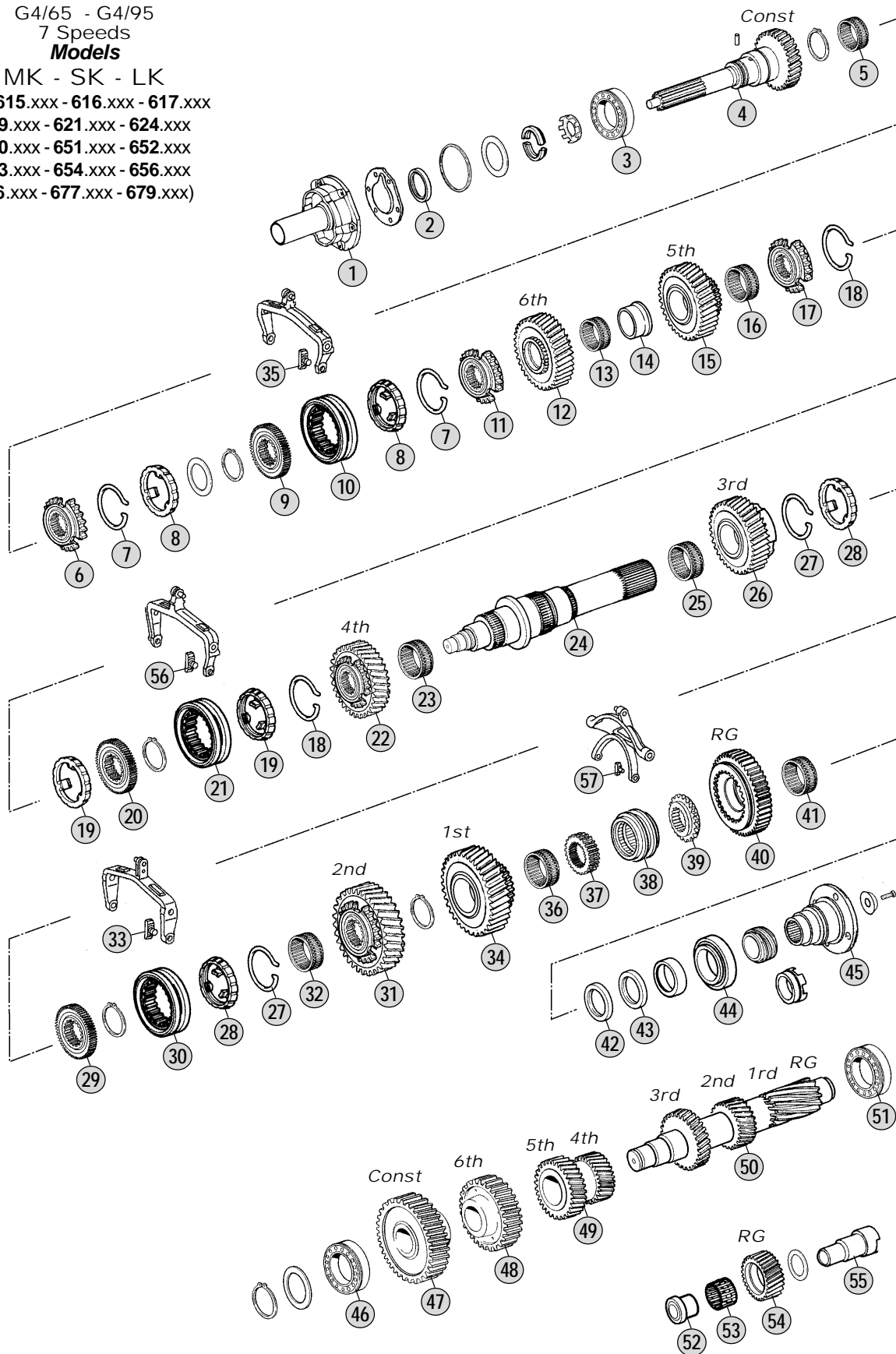
(CH 615.xxx - 616.xxx - 617.xxx

619.xxx - 621.xxx - 624.xxx

650.xxx - 651.xxx - 652.xxx

653.xxx - 654.xxx - 656.xxx

676.xxx - 677.xxx - 679.xxx)



All original equipment manufacturers' numbers, symbols, pictures, models and description used in this catalogue are for reference only, and it is not implied that any part listed is the product of these manufactures. Tutti i nostri particolari non sono originali ma con essi intercambiabili. I riferimenti originali, le figure, i modelli sono esposti a semplice titolo indicativo. La nostra produzione riporta il nostro marchio.

Models

G4/65-7/11,0 714.500-501-502-530-531-532-533-534-535-536

G4/95-7/11,0 714.640-641-642-643-644-650-651-652-653-654-655



Fig.	CEI no.	Rif. MB	Description	Q.ty	Note	G4/65-7/11,0	G4/95-7/11,0			
36	137.219	010 981 9210	Needle Cage	1			●			
37	157.634	387 262 0236	Synchronizer Hub	1		●				
37	157.632	387 262 0136	Synchronizer Hub	1	(G)		●			
37	157.633	387 262 2935	Synchronizer hub	1	(H)		●			
38	154.305	387 262 0323	Sliding Sleeve	1		●	●			
39	157.635	387 262 0140	Hub	1		●				
39	157.636	387 262 0040	Hub	1	(G)		●			
39	157.637	387 262 0240	Hub	1	(H) With 147.185		●			
39	157.638	387 262 0440	Hub	1	(H) With 147.184		●			
40	147.189	387 262 0433	Reverse Gear	1		●				
40	147.186	387 262 0733	Reverse Gear	1	(G)		●			
40	147.185	387 262 1433	Reverse Gear	1	(H) With 157.637		●			
40	147.184	387 262 1733	Reverse Gear	1	(H) With 157.638		●			
41	137.210	009 981 0110	Needle Cage 65x71x34,5	1		●				
41	137.211	010 981 1210	Needle Cage 75,5x82,5x39,5	1			●			
42	139.564	020 997 9947	Oil Seal 80x110x10	1		●	●			
43	139.563	023 997 8547	Oil Seal 80x100x12	1		●	●			
44	130.582	008 981 8901	Bearing	1		●				
44	130.572	008 981 5301	Bearing 65x140x39,5	1			●			
45	197.089	387 262 0345	Output Flange D.150	1	714.500-501-530-531-532	●				
45	197.091	387 262 0845	Output Flange D.150	1	714.502-533-534-535-536	●				
45	197.090	387 262 1045	Output Flange D.150	1	714.641/2/3/4-714.652/3/4/5		●			
45	197.088	387 262 0145	Output Flange D.150	1	714.650-651		●			
45	197.092	387 262 0745	Output Flange D.165	1	714.640		●			
46	130.573	001 981 3105	Bearing 40x90x26	1		●				
46	130.571	009 981 3105	Bearing 60x100x35,5	1			●			
47	146.519	387 263 1210	Constant Gear	1		●				
47	146.729	387 263 1310	Constant Gear	1	Excl. 714.643		●			
47	146.517	387 263 2710	Constant Gear	1	Only 714.643		●			
48	146.516	387 263 0416	Gear 6th Speed	1		●				
48	146.518	387 263 0316	Gear 6th Speed	1			●			
49	143.113	387 263 0514	Double Gear 5th/4th Speed	1		●				
49	143.150	387 263 0614	Double Gear 5th/4th Speed	1	Excl. 714.643		●			
49	143.112	387 263 0914	Double Gear 5th/4th Speed	1	Only 714.643		●			
50	105.143	387 263 2602	Countershaft	1		●				
50	105.141	387 263 2702	Countershaft	1	(G)		●			
50	105.142	387 263 3002	Countershaft 18/13/11 T	1	(H)		●			
51	130.542	010 981 5905	Bearing 45x100x27,5	1		●	●			
52	117.340	387 263 0750	Bush	1		●				
52	117.441	387 263 0650	Bush	1	(G)		●			
52	117.338	387 263 1150	Bush	1	(H)		●			
53	137.202	010 981 5110	Needle Cage	1		●	●			
54	147.182	387 263 1031	Reverse Gear 21 T	1		●				
54	147.187	387 263 1431	Reverse Gear	1	(G)		●			
54	147.188	387 263 1831	Reverse Gear	1	(H)		●			

Notes

- (A) G4/65 Up to gearbox 157730 (B) G4/65 From gearbox 157731
 (C) G4/65 Up to gearbox 345691 (D) G4/65 From gearbox 345692
 (E) G4/95 Up to gearbox 348399 (F) G4/95 From gearbox 348400
 (G) G4/95 Up to gearbox 088676 (H) G4/95 From gearbox 088677
 (I) Use with Note E or Note F for synchro parts and Note G or Note H for other parts

Date

04 / 2011

Table

0070

Adattabile a : **MERCEDES**
Suitable To :

Modelli Cambio/ Gearbox Models
G4/65 - G4/95 (7 Speeds)

G4/65 - G4/95
7 Speeds

Models

MK - SK - LK

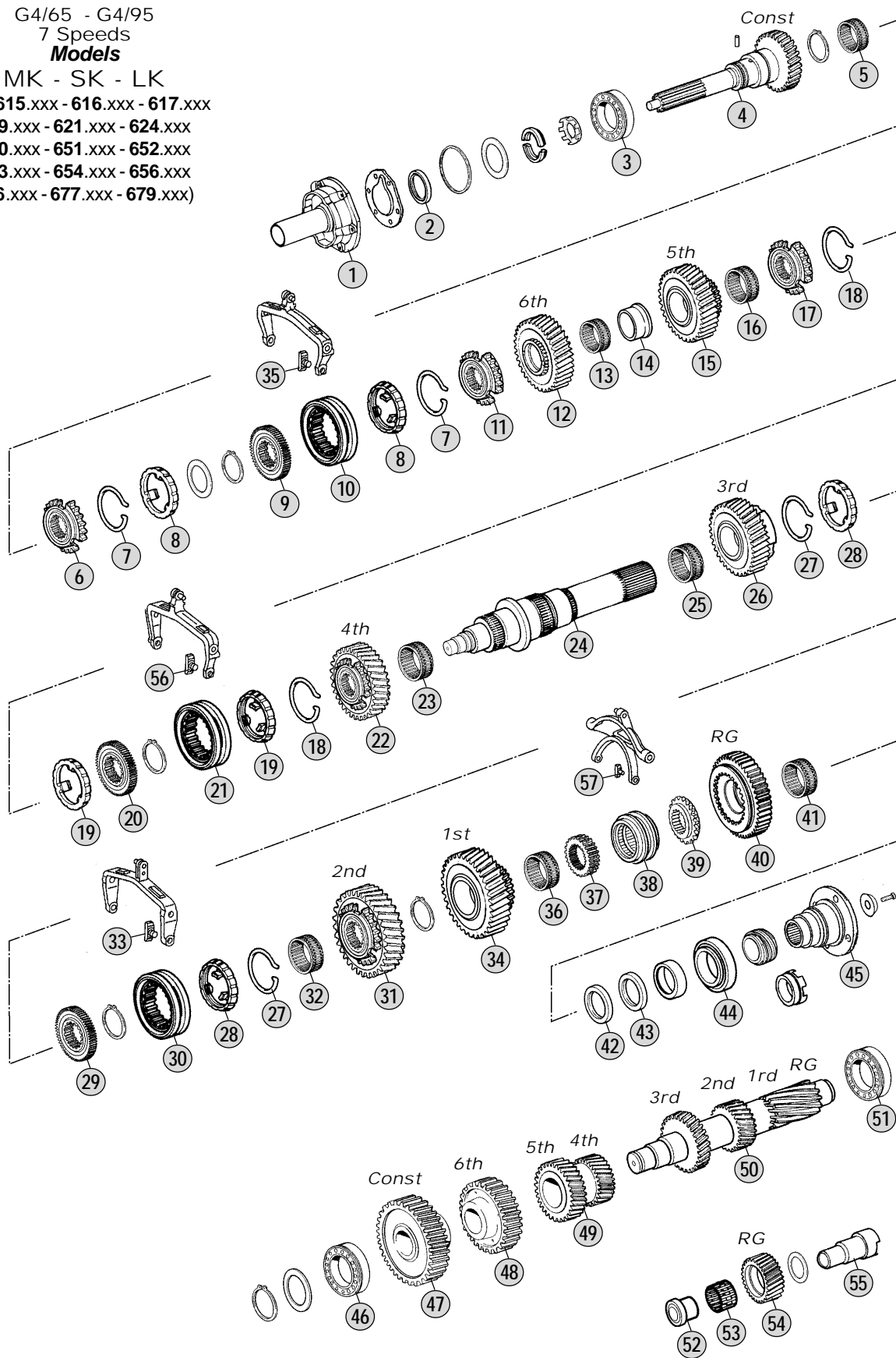
(CH 615.xxx - 616.xxx - 617.xxx

619.xxx - 621.xxx - 624.xxx

650.xxx - 651.xxx - 652.xxx

653.xxx - 654.xxx - 656.xxx

676.xxx - 677.xxx - 679.xxx)



All original equipment manufacturers' numbers, symbols, pictures, models and description used in this catalogue are for reference only, and it is not implied that any part listed is the product of these manufactures. Tutti i nostri particolari non sono originali ma con essi intercambiabili. I riferimenti originali, le figure, i modelli sono esposti a semplice titolo indicativo. La nostra produzione riporta il nostro marchio.

Models

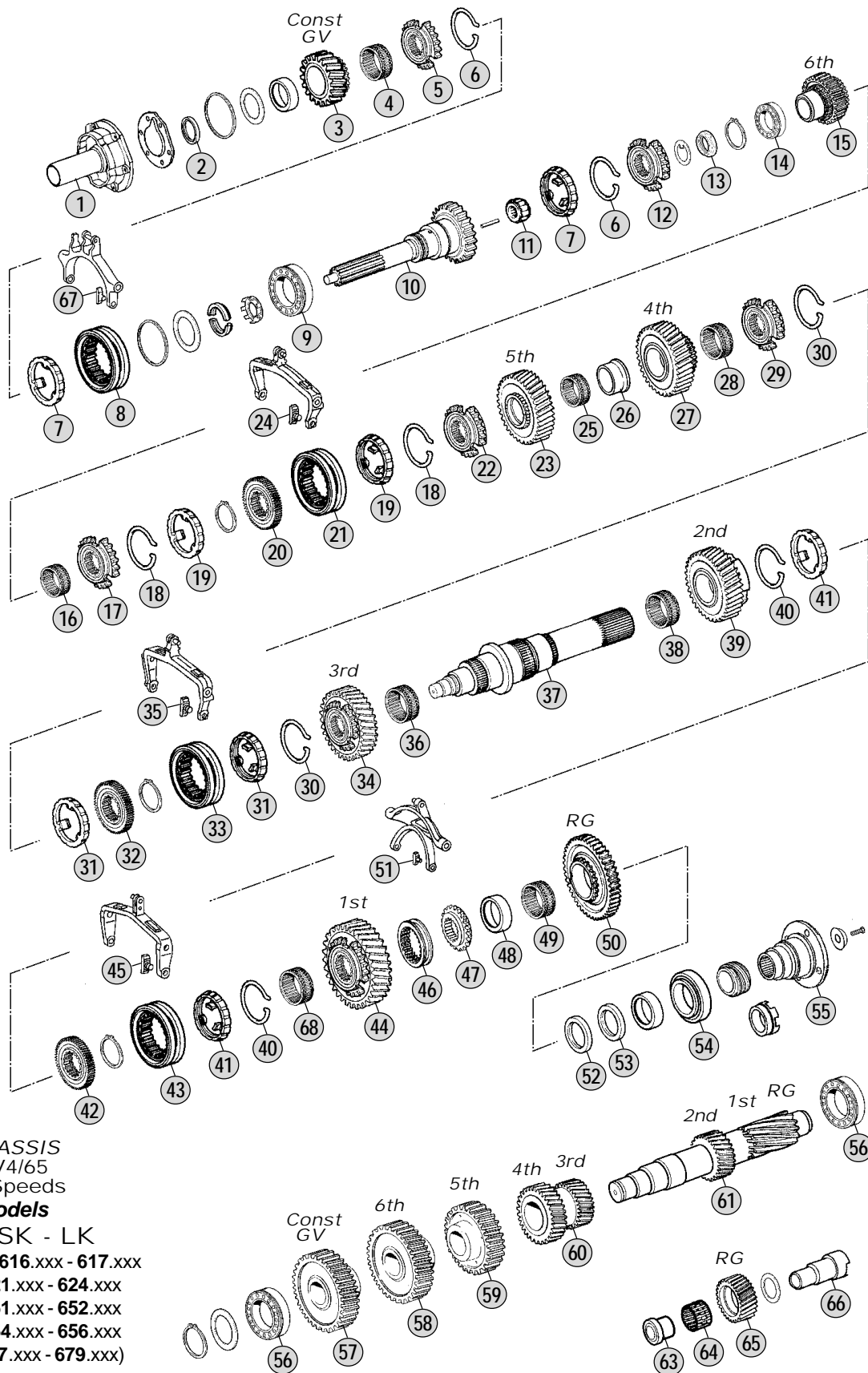
G4/65-7/11,0 714.500-501-502-530-531-532-533-534-535-536

G4/95-7/11,0 714.640-641-642-643-644-650-651-652-653-654-655



Adattabile a : **MERCEDES**
 Suitable To :

Modelli Cambio/ Gearbox Models
GV4/65 (12 Speeds)



CHASSIS
 GV4/65
 12 Speeds

Models

MK - SK - LK

(CH 615.xxx - 616.xxx - 617.xxx

619.xxx - 621.xxx - 624.xxx

650.xxx - 651.xxx - 652.xxx

653.xxx - 654.xxx - 656.xxx

676.xxx - 677.xxx - 679.xxx)

Models

GV4/65-6/12,0 714.680-681-682-683-688-689

All original equipment manufacturers' numbers, symbols, pictures, models and description used in this catalogue are for reference only, and it is not implied that any part listed is the product of these manufactures. Tutti i nostri particolari non sono originali ma con essi intercambiabili. I riferimenti originali, le figure, i modelli sono esposti a semplice titolo indicativo. La nostra produzione riporta il nostro marchio.

Fig.	CEI no.	Rif. MB	Description	Q.ty	Note	GV4/65 - 6/12,0				
1	135.141	387 261 2418	Front Cover	1	Up to Gearbox 157730	●				
1	135.145	387 261 2018	Front Cover	1	From Gearbox 157731	●				
2	139.548	015 997 0347	Seal Ring Th.8(64x45) mm	1		●				
3	145.690	387 262 0110	Constant Gear GV 23 T	1		●				
4	137.224	010 981 1510	Needle Cage 69x75,5x46,5	1		●				
5	109.331	387 262 2934	Synchronizer Cone	1		●				
6	111.204	387 262 1093	Elastic Ring	2		●				
7	119.112	389 262 0637	Synchronizer Ring	2		●				
7	119.226	389 262 3137	Synchronizer Ring	2	LONG LIFE	●				
8	154.215	387 262 1523	Sliding Sleeve	1		●				
8	154.430	M387 262 1523	Sliding Sleeve	1	LONG LIFE	●				
9	130.576	008 981 9501	Bearing	1	Up to Gearbox 157730	●				
9	130.577	007 981 2001	Bearing 60x110x22	1	From Gearbox 157731	●				
10	190.248	387 260 6420	Input Shaft	1		●				
11	130.584	001 981 9412	Bearing 31x51x30,8	1		●				
12	109.128	387 262 3034	Synchronizer Cone	1		●				
13	187.612	387 990 0251	Nut	1		●				
14	130.583	003 981 9125	Bearing	1		●				
15	145.565	387 262 0710	Gear 5th Speed 20 T	1		●				
16	137.223	010 981 4910	Needle Cage 53x65x56	1		●				
17	109.353	387 262 5334	Synchronizer Cone	1		●				
18	111.204	387 262 1093	Elastic Ring	2		●				
19	119.112	389 262 0637	Synchronizer Ring	2		●				
19	119.226	389 262 3137	Synchronizer Ring	2	LONG LIFE	●				
20	157.611	387 262 2135	Synchronizer Hub	1		●				
21	154.215	387 262 1523	Sliding Sleeve	1		●				
21	154.430	M387 262 1523	Sliding Sleeve	1	LONG LIFE	●				
22	109.330	387 262 2534	Synchronizer Cone	1		●				
23	145.689	387 262 0515	Gear 5th Speed 22 T	1		●				
24	141.161	389 265 2349	Slide Fork	2	BRASS	●				
24	141.220	M389 265 2349	Slide Fork	2	IRON	●				
25	137.211	010 981 1210	Needle Cage 75,5x82,5x39,5	1		●				
26	117.342	387 262 0950	Bush H=45,00 mm	1		●				
27	145.691	387 262 4114	Gear 4th Speed 24 T	1		●				
28	137.222	010 981 4410	Needle Cage 74x82x30	1		●				
29	109.131	389 262 5634	Synchronizer Cone	1	(A)	●				
29	109.347	389 262 5934	Synchronizer Cone	1	(B)	●				
30	111.204	387 262 1093	Elastic Ring	2		●				
31	119.112	389 262 0637	Synchronizer Ring	2		●				
31	119.226	389 262 3137	Synchronizer Ring	2	LONG LIFE	●				
32	157.641	387 262 2335	Synchronizer Hub	1		●				
33	154.215	387 262 1523	Sliding Sleeve	1	(A)	●				
33	154.430	M387 262 1523	Sliding Sleeve	1	(A) LONG LIFE	●				
33	154.302	387 262 1423	Sliding Sleeve	1	(B)	●				
33	154.442	M387 262 1423	Sliding Sleeve	1	(B) LONG LIFE	●				

Notes

(A) GV4/65 Up to gearbox 345971

(B) G4/65 From gearbox 345972

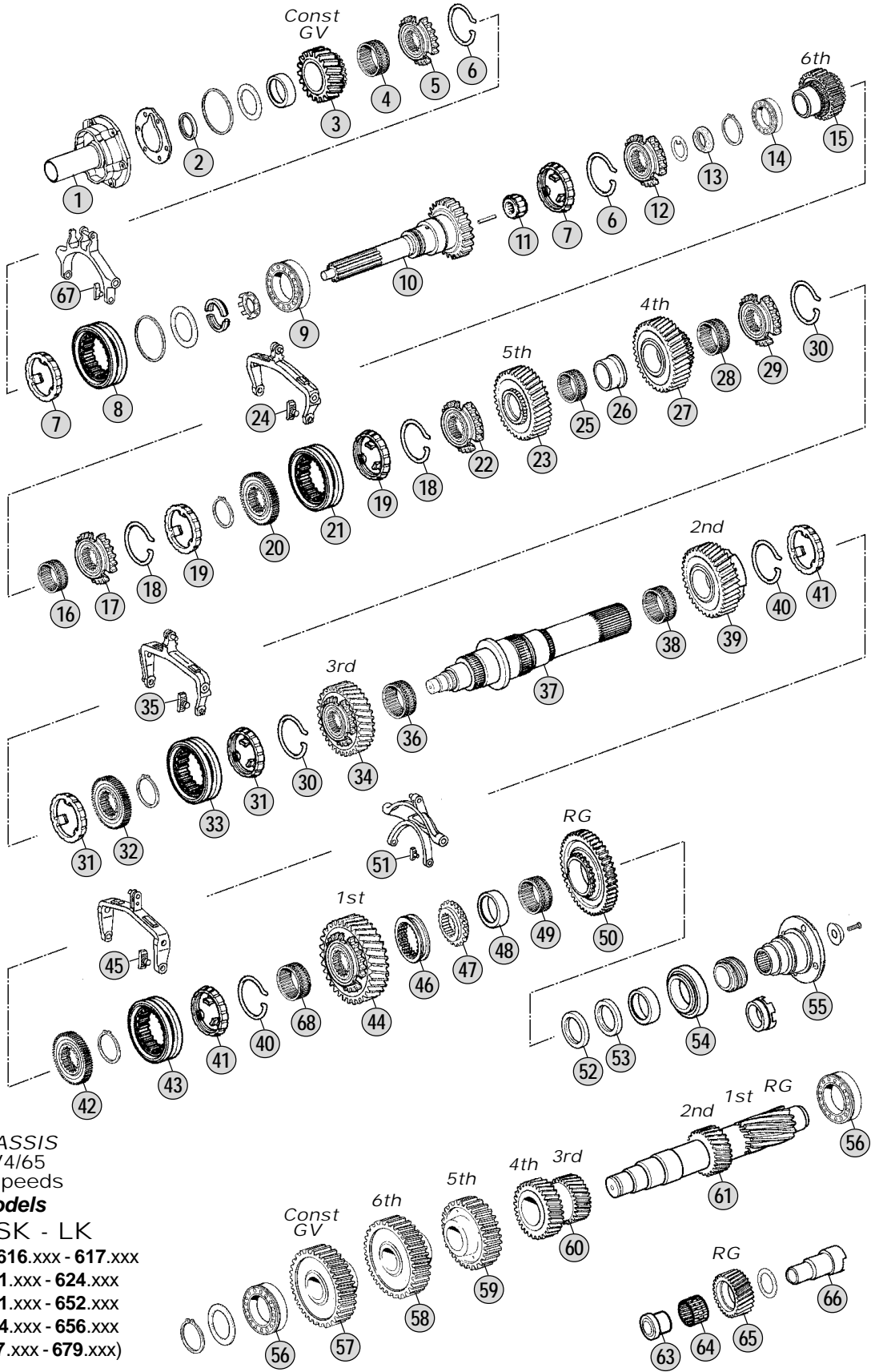
Date

04 / 2011

Table

0080

Adattabile a : **MERCEDES**
Suitable To :



CHASSIS
GV4/65
12 Speeds

Models

MK - SK - LK

- (CH 615.xxx - 616.xxx - 617.xxx
- 619.xxx - 621.xxx - 624.xxx
- 650.xxx - 651.xxx - 652.xxx
- 653.xxx - 654.xxx - 656.xxx
- 676.xxx - 677.xxx - 679.xxx)

Models

GV4/65-6/12,0 714.680-681-682-683-688-689

All original equipment manufacturers' numbers, symbols, pictures, models and description used in this catalogue are for reference only, and it is not implied that any part listed is the product of these manufactures. Tutti i nostri particolari non sono originali ma con essi intercambiabili. I riferimenti originali, le figure, i modelli sono esposti a semplice titolo indicativo. La nostra produzione riporta il nostro marchio.



Fig.	CEI no.	Rif. MB	Description	Q.ty	Note	GV4/65 - 6/12,0			
34	145.687	387 262 2713	Gear 3rd Speed 30 T	1	(A)	●			
34	145.688	387 262 4613	Gear 3rd Speed 30 T	1	(B)	●			
35	141.161	389 265 2349	Slide Fork	2	BRASS	●			
35	141.220	M389 265 2349	Slide Fork	2	IRON	●			
36	137.221	019 981 1510	Needle Cage 85x93x40	1		●			
37	103.144	387 262 0905	Main Shaft	1		●			
38	137.211	010 981 1210	Needle Cage 75,5x82,5x39,5	1		●			
39	145.429	387 262 0412	Gear 2nd Speed 38 T	1	(A)	●			
39	145.640	387 262 3312	Gear 2nd Speed 38 T	1	(B)	●			
40	111.205	387 262 0893	Elastic Ring	2		●			
41	119.161	389 262 0737	Synchronizer Ring	2		●			
41	119.225	389 262 3237	Synchronizer Ring	2	LONG LIFE	●			
42	157.619	387 262 0735	Synchronizer Hub	1	(A)	●			
42	157.618	387 262 3535	Synchronizer Hub	1	(B)	●			
43	154.216	387 262 0623	Sliding Sleeve	1	(A)	●			
43	154.431	M387 262 0623	Sliding Sleeve	1	(A) LONG LIFE	●			
43	154.301	387 262 1323	Sliding Sleeve	1	(B)	●			
43	154.441	M387 262 1323	Sliding Sleeve	1	(B) LONG LIFE	●			
44	145.428	387 262 0411	Gear 1st Speed 50 T	1	(A)	●			
44	145.639	387 262 3011	Gear 1st Speed 50 T	1	(B)	●			
45	141.161	389 265 2349	Slide Fork	2	BRASS	●			
45	141.220	M389 265 2349	Slide Fork	2	IRON	●			
46	154.229	387 262 0023	Sliding Sleeve	1		●			
47	157.621	387 262 0335	Synchronizer Hub	1		●			
48	117.333	387 262 0850	Bush	1		●			
49	137.209	010 981 1710	Needle Cage 66,5x73,5x29,5	1		●			
50	147.175	387 262 0533	Reverse Gear 47 T	1		●			
51	141.160	945 265 0149	Slide Fork	2		●			
52	139.564	020 997 9947	Oil Seal 80x110x10	1		●			
53	139.563	023 997 8547	Oil Seal 80x100x12	1		●			
54	130.578	004 981 5525	Bearing	1		●			
55	197.089	387 262 0345	Output Flange D.150	1	714.680-681-683-689	●			
55	197.091	387 262 0845	Output Flange D.150	1	714.682-688	●			
56	130.542	010 981 5905	Bearing 45x100x27,5	2		●			
57	146.339	387 263 1410	Constant Gear GV 41 T	1		●			
58	146.513	387 263 0110	Constant Gear 43 T	1		●			
59	146.338	387 263 0115	Gear 5th Speed 34 T	1		●			
60	143.088	387 263 0713	Double Gear 25/21 T	1		●			
61	105.087	387 263 1102	Countershaft 16/12 T	1		●			
63	117.332	387 263 0850	Bush	1		●			
64	137.202	010 981 5110	Needle Cage	1		●			
65	147.118	387 263 1131	Reverse Gear 21 T	1		●			
66	107.179	387 263 0630	Reverse Shaft	1		●			
67	141.162	389 265 2449	Slide Fork	2		●			
68	137.210	009 981 0110	Needle Cage 65x71x34,5	1		●			

Notes

(A) GV4/65 Up to gearbox 345971

(B) G4/65 From gearbox 345972

Date

04 / 2011

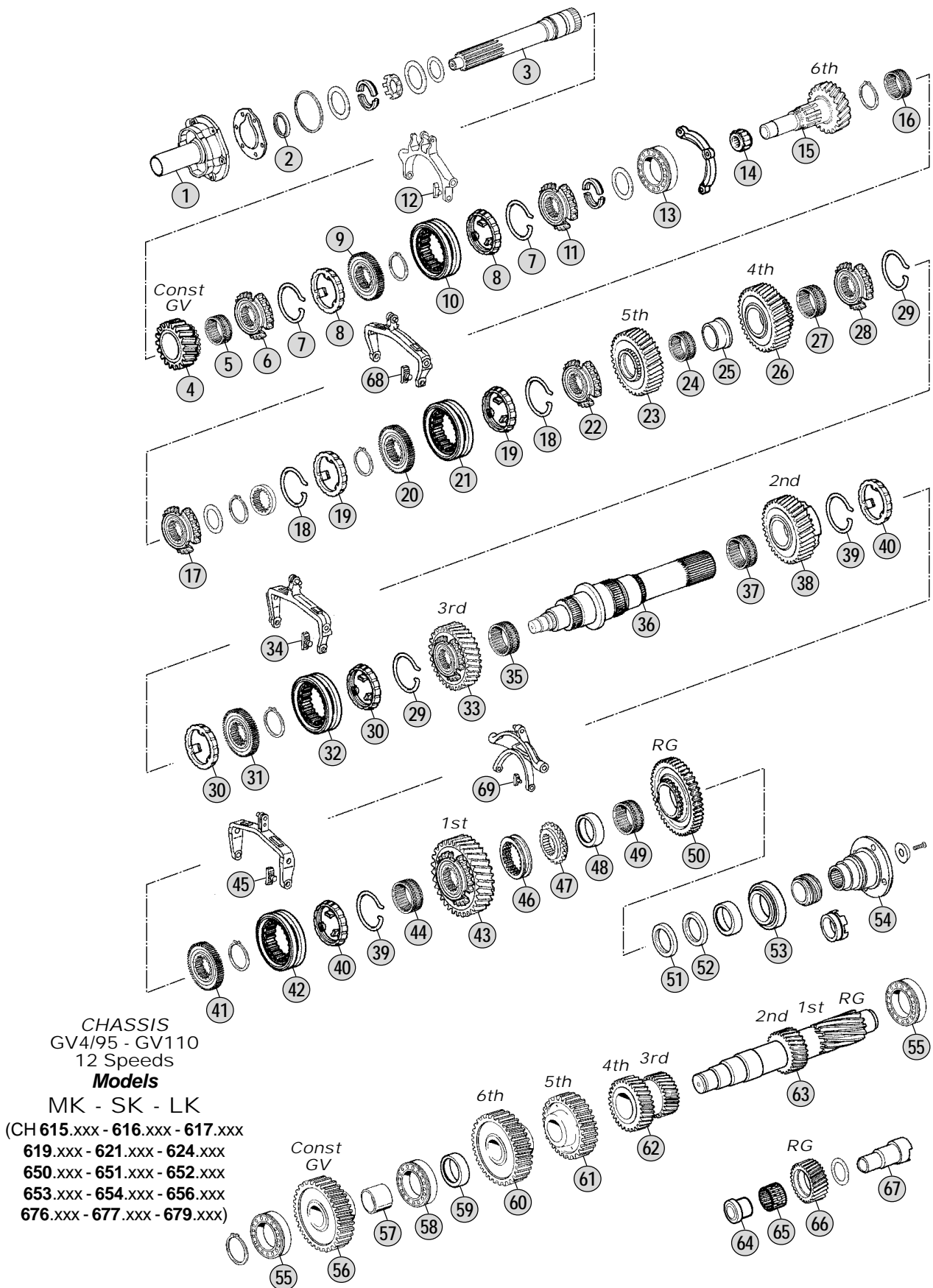
Table

0080

All original equipment manufacturers numbers, symbols, pictures, models and description used in this catalogue are for reference only, and it is not implied that any part listed is the product of these manufactures.
Tutti i nostri particolari non sono originali ma con essi intercambiabili. I riferimenti originali, le figure, i modelli sono esposti a semplice titolo indicativo. La nostra produzione riporta il nostro marchio.

Adattabile a : **MERCEDES**
 Suitable To :

Modelli Cambio/ Gearbox Models
 GV4/95 - 110 (12 Speeds)



Models

GV4/95-6/9,0 714.607-608-609 715.108-109

GV4/110-6/9,0 714.625-627-628-629-634-635-639-661-662-663-665-666-672-673 715.120

Fig.	CEI no.	Rif. MB	Description	Q.ty	Note	GV4/95-6/9,0	GV4/110-6/9,0			
1	135.137	387 261 2218	Front Cover	1	714.608-609	●				
1	135.139	389 261 0018	Front Cover	1	715.109	●				
1	135.138	387 261 2918	Front Cover	1	714.607-715.108	●				
1	135.137	387 261 2218	Front Cover	1	714.628/9-634/5/9-661/2/3/5/6		●			
1	135.139	389 261 0018	Front Cover	1	714.627-672-673-715.120		●			
1	135.138	387 261 2918	Front Cover	1	714.625		●			
2	139.548	015 997 0347	Seal Ring Th.8(64x45) mm	1	To 387 261 2218	●	●			
2	139.549	024 997 3047	Seal Ring 52x68x8 mm	1	To 398 261 0018/387 261 291	●	●			
3	102.312	387 262 1301	Input Shaft GV	1	714.608-609	●				
3	102.314	387 262 1501	Input Shaft	1	715.109	●				
3	102.313	387 262 1801	Input Shaft	1	714.607-715.108	●				
3	102.312	387 262 1301	Input Shaft GV	1	714.628/9-634/5/9-661/2/3/5/6		●			
3	102.314	387 262 1501	Input Shaft	1	714.627-672-673-715.120		●			
3	102.313	387 262 1801	Input Shaft	1	714.625		●			
4	145.692	387 262 0010	Constant Gear GV 23 T	1		●	●			
5	137.190	009 981 4510	Needle Cage 68x76x55	1		●	●			
6	109.332	387 262 3234	Synchronizer Cone	1		●	●			
7	111.204	387 262 1093	Elastic Ring	2		●	●			
8	119.112	389 262 0637	Synchronizer Ring	2		●	●			
8	119.226	389 262 3137	Synchronizer Ring	2	LONG LIFE	●	●			
9	157.642	387 262 2835	Synchronizer Hub	1		●	●			
10	154.215	387 262 1523	Sliding Sleeve	1		●	●			
10	154.430	M387 262 1523	Sliding Sleeve	1	LONG LIFE	●	●			
11	109.354	387 262 3634	Synchronizer Cone	1		●	●			
12	141.162	389 265 2449	Slide Fork	2	BRASS	●	●			
12	141.219	M389 265 2449	Slide Fork	2	IRON	●	●			
13	130.574	008 981 5201	Bearing 65x140x33	1		●	●			
14	130.586	001 981 8912	Bearing 34x45x24	1		●	●			
15	102.311	387 262 2202	Input Shaft 20 T	1		●				
15	102.315	387 262 2402	Input Shaft 20 T	1			●			
16	137.206	002 981 1312	Needle Cage 40x60x28	1		●	●			
17	109.344	387 262 5034	Synchronizer Cone	1		●	●			
18	111.204	387 262 1093	Elastic Ring	2		●	●			
19	119.112	389 262 0637	Synchronizer Ring	2		●	●			
19	119.226	389 262 3137	Synchronizer Ring	2	LONG LIFE	●	●			
20	157.611	387 262 2135	Synchronizer Hub	1		●	●			
21	154.215	387 262 1523	Sliding Sleeve	1		●	●			
21	154.430	M387 262 1523	Sliding Sleeve	1	LONG LIFE	●	●			
22	109.131	389 262 5634	Synchronizer Cone	1		●	●			
23	145.637	387 262 2015	Gear 4th Speed 22 T	1		●				
23	145.634	387 262 2315	Gear 4th Speed 22 T	1			●			
24	137.184	009 981 1410	Needle Cage 75x83x48	1		●				
24	137.182	008 981 8310	Needle Cage 75x83x55W	1			●			
25	117.330	387 262 0550	Bush H=54,00 mm	1		●				
25	117.279	387 262 0150	Bush H=61,00 mm	1			●			

Notes

- (A) GV4/95 Up to gearbox 348399 (B) G4/95 From gearbox 348400
 (C) GV4/110 Up to gearbox 355346 (D) GV4/110 From gearbox 355347
 GV4/110 Only 715.120 Up to gearbox 348399 GV4/110 Only 715.120 From gearbox 348400
 (E) GV4/95 Up to gearbox 124518 (F) G4/95 From gearbox 124519

Date

04 / 2011

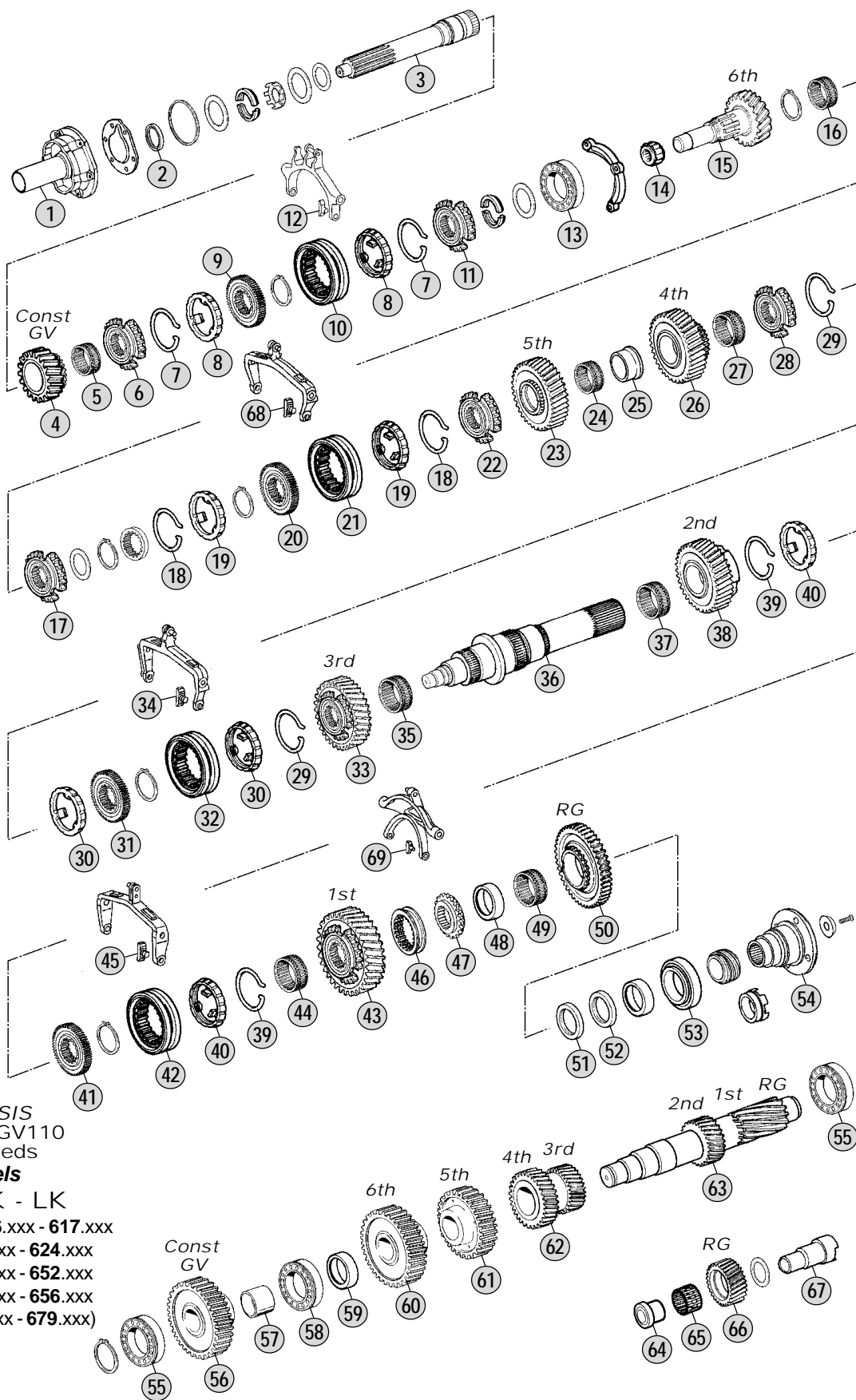
Table

0090

All original equipment manufacturers numbers, symbols, pictures, models and description used in this catalogue are for reference only, and it is not implied that any part listed is the product of these manufactures.
 Tutti i nostri particolari non sono originali ma con essi intercambiabili. I riferimenti originali, le figure, i modelli sono esposti a semplice titolo indicativo. La nostra produzione riporta il nostro marchio.

Adattabile a : **MERCEDES**
Suitable To :

Modelli Cambio/ Gearbox Models
GV4/95 - 110 (12 Speeds)



CHASSIS
GV4/95 - GV110
12 Speeds

Models

MK - SK - LK

(CH 615.xxx - 616.xxx - 617.xxx

619.xxx - 621.xxx - 624.xxx

650.xxx - 651.xxx - 652.xxx

653.xxx - 654.xxx - 656.xxx

676.xxx - 677.xxx - 679.xxx)

Models

GV4/95-6/9,0 714.607-608-609 715.108-109

GV4/110-6/9,0 714.625-627-628-629-634-635-639-661-662-663-665-666-672-673 715.120

All original equipment manufacturers' numbers, symbols, pictures, models and description used in this catalogue are for reference only, and it is not implied that any part listed is the product of these manufactures. Tutti i nostri particolari non sono originali ma con essi intercambiabili. I riferimenti originali, le figure, i modelli sono esposti a semplice titolo indicativo. La nostra produzione riporta il nostro marchio.



Fig.	CEI no.	Rif. MB	Description	Q.ty	Note	GV4/95-6/9,0	GV4/110-6/9,0			
26	145.628	387 262 3514	Gear 3rd Speed 24 T	1		●				
26	145.633	387 262 3814	Gear 3rd Speed 24 T	1	Excluded 715.120		●			
26	145.693	387 262 4514	Gear 4th Speed 24 T	1	Only 715.120		●			
27	137.187	009 981 1510	Needle Cage K78x86x35ZW	1		●				
27	137.205	008 981 9910	Needle Cage 78x86x40	1			●			
28	109.130	387 262 4534	Synchronizer Cone	1	(AC)	●	●			
28	109.343	387 262 4834	Synchronizer Cone	1	(BD)	●	●			
29	111.204	387 262 1093	Elastic Ring	2		●	●			
30	119.112	389 262 0637	Synchronizer Ring	2		●	●			
30	119.226	389 262 3137	Synchronizer Ring	2	LONG LIFE	●	●			
31	157.617	387 262 2035	Synchronizer Hub	1		●	●			
32	154.215	387 262 1523	Sliding Sleeve	1	(AC)	●	●			
32	154.430	M387 262 1523	Sliding Sleeve	1	(AC) LONG LIFE	●	●			
32	154.302	387 262 1423	Sliding Sleeve	1	(BD)	●	●			
32	154.442	M387 262 1423	Sliding Sleeve	1	(BD) LONG LIFE	●	●			
33	145.632	387 262 1813	Gear 2nd Speed 30 T	1	(A)	●				
33	145.631	387 262 4413	Gear 2nd Speed 30 T	1	(B)	●				
33	145.630	387 262 0813	Gear 3rd Speed 30 T	1	(C)		●			
33	145.629	387 262 5313	Gear 2nd Speed 30 T	1	(D)		●			
34	141.161	389 265 2349	Slide Fork	2	BRASS	●	●			
34	141.220	M389 265 2349	Slide Fork	2	IRON	●	●			
35	137.203	009 981 1710	Needle Cage 93x99x44	1		●				
35	137.204	007 981 5510	Needle Cage 92x100x49,5	1			●			
36	103.154	387 262 2105	Main Shaft	1	(E)	●				
36	103.155	387 262 2405	Main Shaft	1	(F)	●				
36	103.153	387 262 2005	Main Shaft	1			●			
37	137.201	009 981 1810	Needle Cage 102x100x44	1		●				
37	137.199	008 981 9710	Needle Cage 102,5x109,5x49	1			●			
38	145.636	387 262 0812	Gear 1st Speed 38 T	1	(A)	●				
38	145.635	387 262 3412	Gear 1st Speed 38 T	1	(B)	●				
38	145.627	387 262 0212	Gear 2nd Speed 38 T	1	(C)		●			
38	145.626	387 262 3212	Gear 2nd Speed 38 T	1	(D)		●			
39	111.205	387 262 0893	Elastic Ring	2		●	●			
40	119.161	389 262 0737	Synchronizer Ring	2		●	●			
40	119.225	389 262 3237	Synchronizer Ring	2	LONG LIFE	●	●			
41	157.623	387 262 0435	Synchronizer Hub	1	(AC)	●	●			
41	157.622	387 262 3435	Synchronizer Hub	1	(BD)	●	●			
42	154.216	387 262 0623	Sliding Sleeve	1	(AC)	●	●			
42	154.431	M387 262 0623	Sliding Sleeve	1	(AC) LONG LIFE	●	●			
42	154.301	387 262 1323	Sliding Sleeve	1	(BD)	●	●			
42	154.441	M387 262 1323	Sliding Sleeve	1	(BD) LONG LIFE	●	●			
43	145.647	387 262 0911	Gear 1st Speed 50 T	1	(A)	●				
43	145.648	387 262 2611	Gear 1st Speed 50 T	1	(B)	●				
43	145.638	387 262 0211	Gear 1st Speed 50 T	1	(C)		●			
43	145.657	387 262 2511	Gear 1st Speed 50 T	1	(D)		●			

Notes

- (A) GV4/95 Up to gearbox 348399 (B) G4/95 From gearbox 348400
 (C) GV4/110 Up to gearbox 355346 (D) GV4/110 From gearbox 355347
 GV4/110 Only 715.120 Up to gearbox 348399 GV4/110 Only 715.120 From gearbox 348400
 (E) GV4/95 Up to gearbox 124518 (F) G4/95 From gearbox 124519

Date

04 / 2011

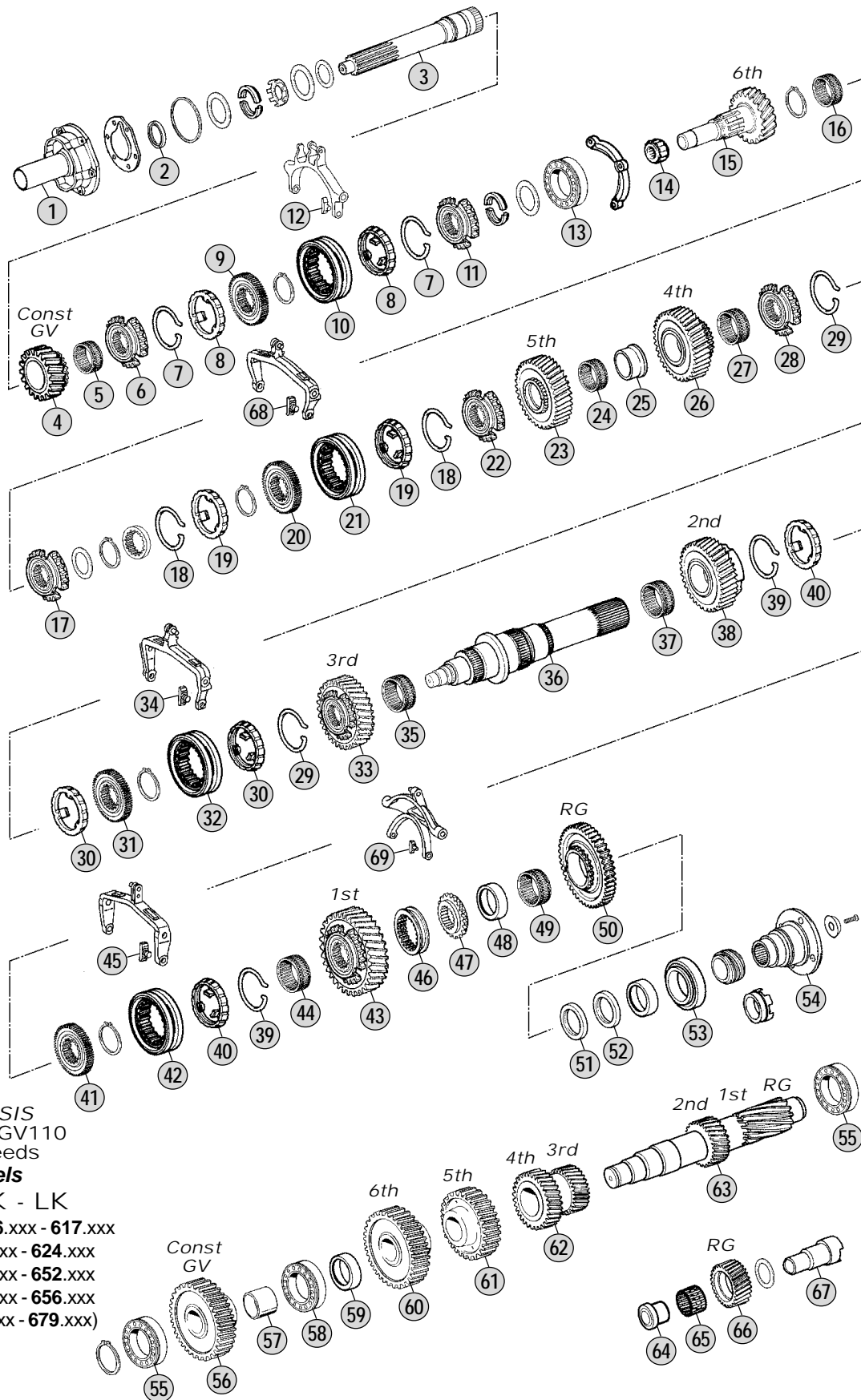
Table

0090

All original equipment manufacturers numbers, symbols, pictures, models and description used in this catalogue are for reference only, and it is not implied that any part listed is the product of these manufactures.
 Tutti i nostri particolari non sono originali ma con essi intercambiabili. I riferimenti originali, le figure, i modelli sono esposti a semplice titolo indicativo. La nostra produzione riporta il nostro marchio.

Adattabile a : **MERCEDES**
Suitable To :

Modelli Cambio/ Gearbox Models
GV4/95 - 110 (12 Speeds)



CHASSIS
GV4/95 - GV110
12 Speeds

Models

MK - SK - LK

(CH 615.xxx - 616.xxx - 617.xxx

619.xxx - 621.xxx - 624.xxx

650.xxx - 651.xxx - 652.xxx

653.xxx - 654.xxx - 656.xxx

676.xxx - 677.xxx - 679.xxx)

Models

GV4/95-6/9,0 714.607-608-609 715.108-109

GV4/110-6/9,0 714.625-627-628-629-634-635-639-661-662-663-665-666-672-673 715.120

All original equipment manufacturers' numbers, symbols, pictures, models and description used in this catalogue are for reference only, and it is not implied that any part listed is the product of these manufactures. Tutti i nostri particolari non sono originali ma con essi intercambiabili. I riferimenti originali, le figure, i modelli sono esposti a semplice titolo indicativo. La nostra produzione riporta il nostro marchio.



Fig.	CEI no.	Rif. MB	Description	Q.ty	Note	GV4/95-6/9,0	GV4/110-6/9,0			
44	137.186	009 981 1610	Needle Cage K85x93x37ZW	1		●				
44	137.198	021 981 9410	Needle Cage 85x93x45W	1			●			
45	141.161	389 265 2349	Slide Fork	2	BRASS	●	●			
45	141.220	M389 265 2349	Slide Fork	2	IRON	●	●			
46	154.229	387 262 0023	Sliding Sleeve	1		●	●			
47	157.613	387 262 0036	Synchronizer Hub	1	(E)	●				
47	157.612	387 262 0436	Synchronizer Hub	1	(F)	●				
47	157.613	387 262 0036	Synchronizer Hub	1			●			
48	117.429	387 262 1550	Bush	1	(E)	●				
48	117.329	387 262 1450	Bush	1			●			
49	137.186	009 981 1610	Needle Cage K85x93x37ZW	1	(E)	●				
49	137.200	021 981 5710	Needle Cage 75x83x33W	1	(F)	●				
49	137.198	021 981 9410	Needle Cage 85x93x45W	1			●			
50	147.172	387 262 0233	Reverse Gear 47 T	1	(E)	●				
50	147.170	387 262 1033	Reverse Gear 47 T	1	(F)	●				
50	147.173	387 262 0033	Reverse Gear 47 T	1			●			
51	139.564	020 997 9947	Oil Seal 80x110x10	1		●	●			
52	139.563	023 997 8547	Oil Seal 80x100x12	1		●	●			
53	130.572	008 981 5301	Bearing 65x140x39,5	1		●	●			
54	197.090	387 262 1045	Output Flange D.150	1		●	●			
54	197.092	387 262 0745	Output Flange D.165	1		●	●			
55	130.571	009 981 3105	Bearing 60x100x35,5	2		●	●			
56	146.520	387 263 2010	Constant Gear GV 41 T	1		●	●			
57	117.344	387 263 0050	Bush	1		●	●			
58	130.585	004 981 3601	Bearing	1		●	●			
59	117.343	387 263 0550	Bush	1		●	●			
60	146.512	387 263 1510	Constant Gear 43 T	1		●				
60	146.510	387 263 1810	Constant Gear 43 T	1			●			
61	146.511	387 263 0215	Gear 5th Speed 34 T	1		●				
61	146.509	387 263 0015	Gear 4th Speed 34 T	1			●			
62	143.110	387 263 0613	Double Gear 3nd/4th Sp.-25/21 T	1		●				
62	143.109	387 263 1313	Double Gear 3nd/4th Sp.-25/21 T	1			●			
63	105.144	387 263 2102	Countershaft	1		●				
63	105.145	387 263 2202	Countershaft 16/12 T	1			●			
64	117.332	387 263 0850	Bush	1		●				
64	117.430	387 263 0950	Bush	1	Old Type		●			
64	117.331	387 263 1250	Bush	1	New Type		●			
65	137.202	010 981 5110	Needle Cage	1		●				
65	137.207	010 981 5210	Needle Cage	1			●			
66	147.169	387 263 1231	Reverse Gear	1		●				
66	147.171	387 263 0631	Reverse Gear 21 T	1			●			
67	107.178	387 263 0830	Reverse Shaft	1		●				
67	107.237	387 263 0530	Reverse Shaft	1	Old Type		●			
67	107.177	387 263 1430	Reverse Shaft	1	New Type		●			
68	141.161	389 265 2349	Slide Fork	2	BRASS	●	●			

12 Speeds
GV4/95 - GV4/110

All original equipment manufacturers numbers, symbols, pictures, models and description used in this catalogue are for reference only, and it is not implied that any part listed is the product of these manufactures.
Tutti i nostri particolari non sono originali ma con essi intercambiabili. I riferimenti originali, le figure, i modelli sono esposti a semplice titolo indicativo. La nostra produzione riporta il nostro marchio.

Notes

- (A) GV4/95 Up to gearbox 348399 (B) G4/95 From gearbox 348400
 (C) GV4/110 Up to gearbox 355346 (D) GV4/110 From gearbox 355347
 GV4/110 Only 715.120 Up to gearbox 348399 GV4/110 Only 715.120 From gearbox 348400
 (E) GV4/95 Up to gearbox 124518 (F) G4/95 From gearbox 124519

Date

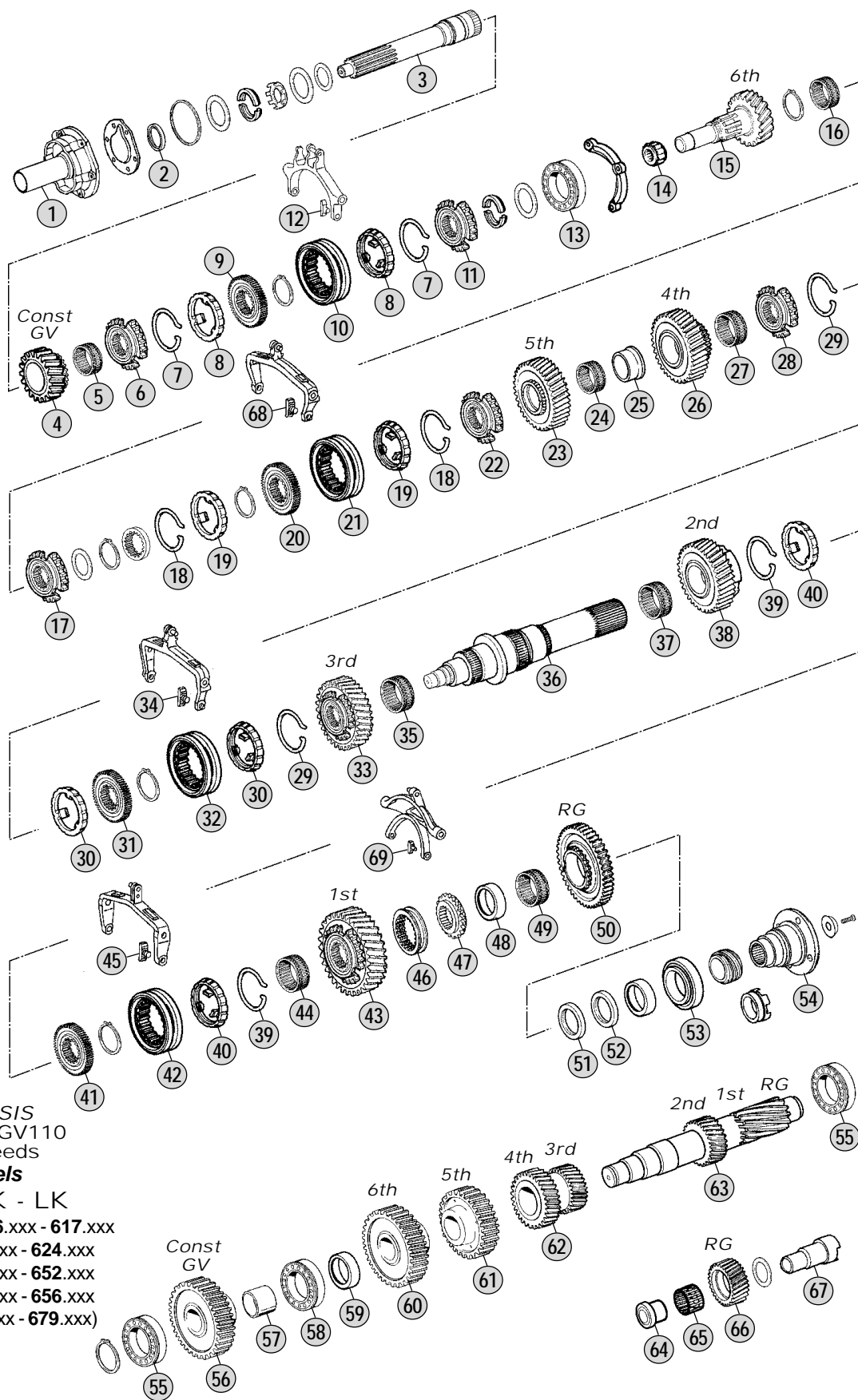
04 / 2011

Table

0090

Adattabile a : **MERCEDES**
Suitable To :

Modelli Cambio/ Gearbox Models
GV4/95 - 110 (12 Speeds)



CHASSIS
GV4/95 - GV110
12 Speeds

Models

MK - SK - LK

(CH 615.xxx - 616.xxx - 617.xxx

619.xxx - 621.xxx - 624.xxx

650.xxx - 651.xxx - 652.xxx

653.xxx - 654.xxx - 656.xxx

676.xxx - 677.xxx - 679.xxx)

Models

GV4/95-6/9,0 714.607-608-609 715.108-109

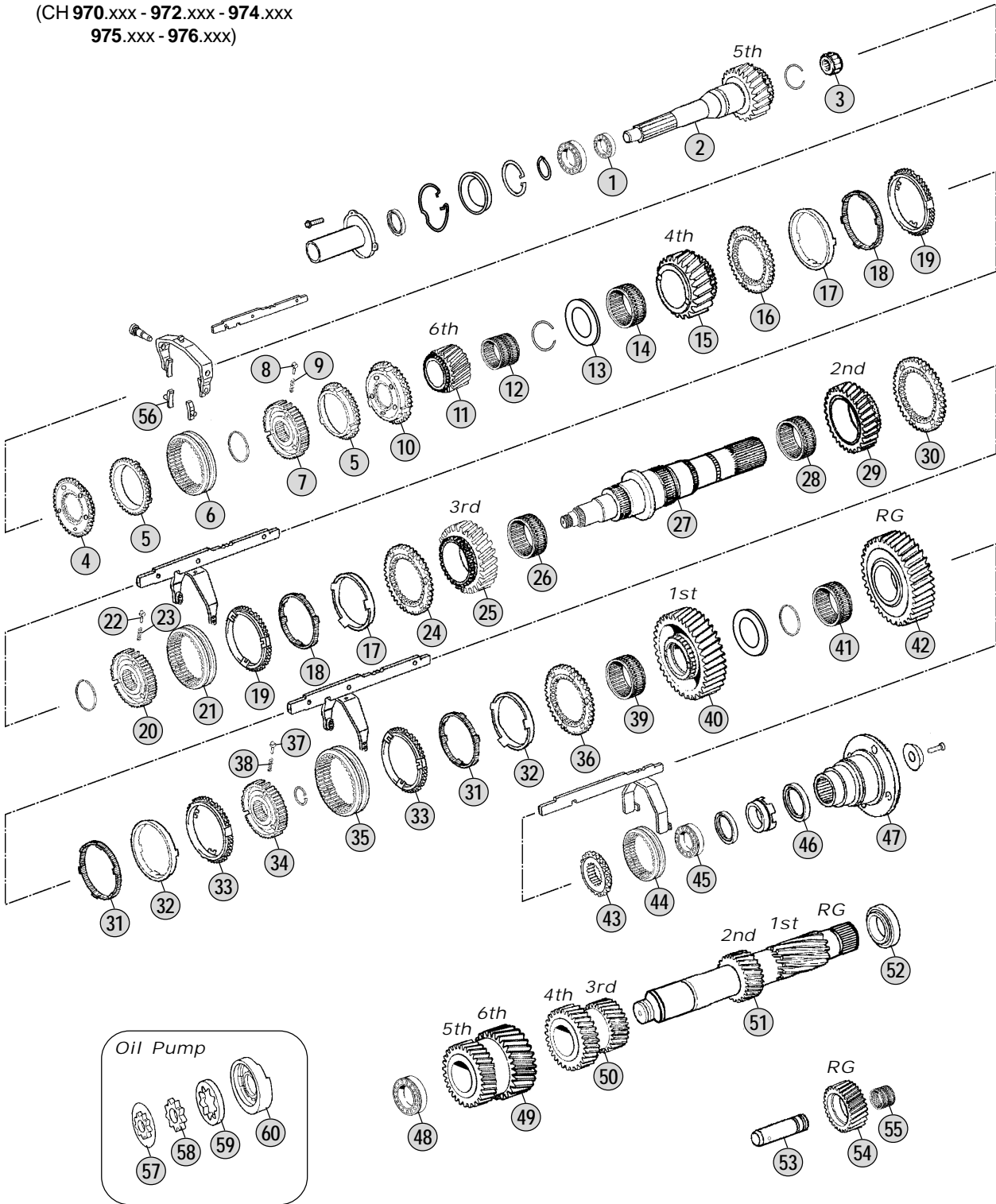
GV4/110-6/9,0 714.625-627-628-629-634-635-639-661-662-663-665-666-672-673 715.120

All original equipment manufacturers' numbers, symbols, pictures, models and description used in this catalogue are for reference only, and it is not implied that any part listed is the product of these manufactures. Tutti i nostri particolari non sono originali ma con essi intercambiabili. I riferimenti originali, le figure, i modelli sono esposti a semplice titolo indicativo. La nostra produzione riporta il nostro marchio.



Adattabile a : **MERCEDES**
Suitable To :

Models
ATEGO I - II
(CH 970.xxx - 972.xxx - 974.xxx
975.xxx - 976.xxx)



All original equipment manufacturers' numbers, symbols, models and description used in this catalogue are for reference only, and it is not implied that any part listed is the product of these manufactures. Tutti i nostri particolari non sono originali ma con essi intercambiabili. I riferimenti originali, le figure, i modelli sono esposti a semplice titolo indicativo. La nostra produzione riporta il nostro marchio.

Models

G 56 - 6 712.610-611-612-613-615

Fig.	CEI no.	Rif. MB	Description	Q.ty	Note	G 56 - 6				
1	130.841	017 981 3805	Bearing	1		●				
2	102.470	972 262 0602	Input Shaft 26 T	1		●				
2	102.475	971 262 2702	Input Shaft 26 T	1		●				
2	102.472	971 262 2902	Input Shaft 26 T	1		●				
2	102.527	971 262 3002	Input Shaft 26 T	1		●				
3	130.840	016 981 7105	Bearing	1		●				
4	109.813	971 262 0435	Synchronizer Cone	1		●				
5	119.227	970 262 3037	Synchronizer Ring	2		●				
6	154.450	971 262 1323	Sliding Sleeve	1		●				
7	157.746	971 262 0635	Synchronizer Hub	1		●				
8	160.259	970 262 0274	Pressure Piece	3		●				
9	156.199	970 993 6401	Spring	3		●				
10	109.814	971 262 0535	Synchronizer Cone	1		●				
11	244.063	974 262 0116	Gear 6th Speed	1		●				
12	137.337	003 981 2418	Needle Cage	1		●				
13	269.353	972 262 0262	Washer	1		●				
14	137.336	022 981 4210	Needle Cage	1		●				
15	244.062	974 262 0114	Gear 4th Speed	1		●				
16	109.812	971 262 0762	Synchronizer Cone	1		●				
17	119.294	972 262 0137	Synchronizer Ring Intermediate	2		●				
17	119.295	971 260 0945	Synchronizer Ring Intermediate	2		●				
18	119.297	972 262 0089	Synchronizer Ring Intermediate	2		●				
19	119.293	972 262 0337	Synchronizer Ring Outer	1		●				
20	157.745	972 262 0735	Synchronizer Hub	1		●				
21	154.449	971 262 1023	Sliding Sleeve	1		●				
22	160.259	970 262 0274	Pressure Piece	3		●				
23	156.199	970 993 6401	Spring	3		●				
24	109.815	971 262 0662	Synchronizer cone	1		●				
25	244.061	972 262 0713	Gear 3rd Speed	1		●				
26	137.324	022 981 4110	Needle Cage	1		●				
27	103.245	974 262 0005	Main Shaft	1	(A)	●				
27	103.246	971 262 0805	Main Shaft	1	(B)	●				
28	137.338	022 981 4010	Needle Cage	1		●				
29	244.064	972 262 0312	Gear 2nd Speed	1		●				
30	109.411	970 262 2534	Synchronizer Cone	1		●				
31	119.228	970 262 3134	Synchronizer Ring	2		●				
32	119.229	970 262 3537	Synchronizer Ring	2		●				
33	119.252	970 262 3937	Synchronizer Ring	2		●				
34	155.229	970 262 2535	Synchronizer Hub	1		●				
35	154.451	974 262 0823	Sliding Sleeve	1		●				
36	109.411	970 262 2534	Synchronizer Cone	1		●				
37	160.259	970 262 0274	Pressure Piece	3		●				
38	156.199	970 993 6401	Spring	3		●				
39	137.343	018 981 5310	Needle Cage 72x80x40	1		●				
40	244.065	974 262 0111	Gear 1st Speed	1		●				

Notes

(A - B) To be coupled together

Date

04 / 2011

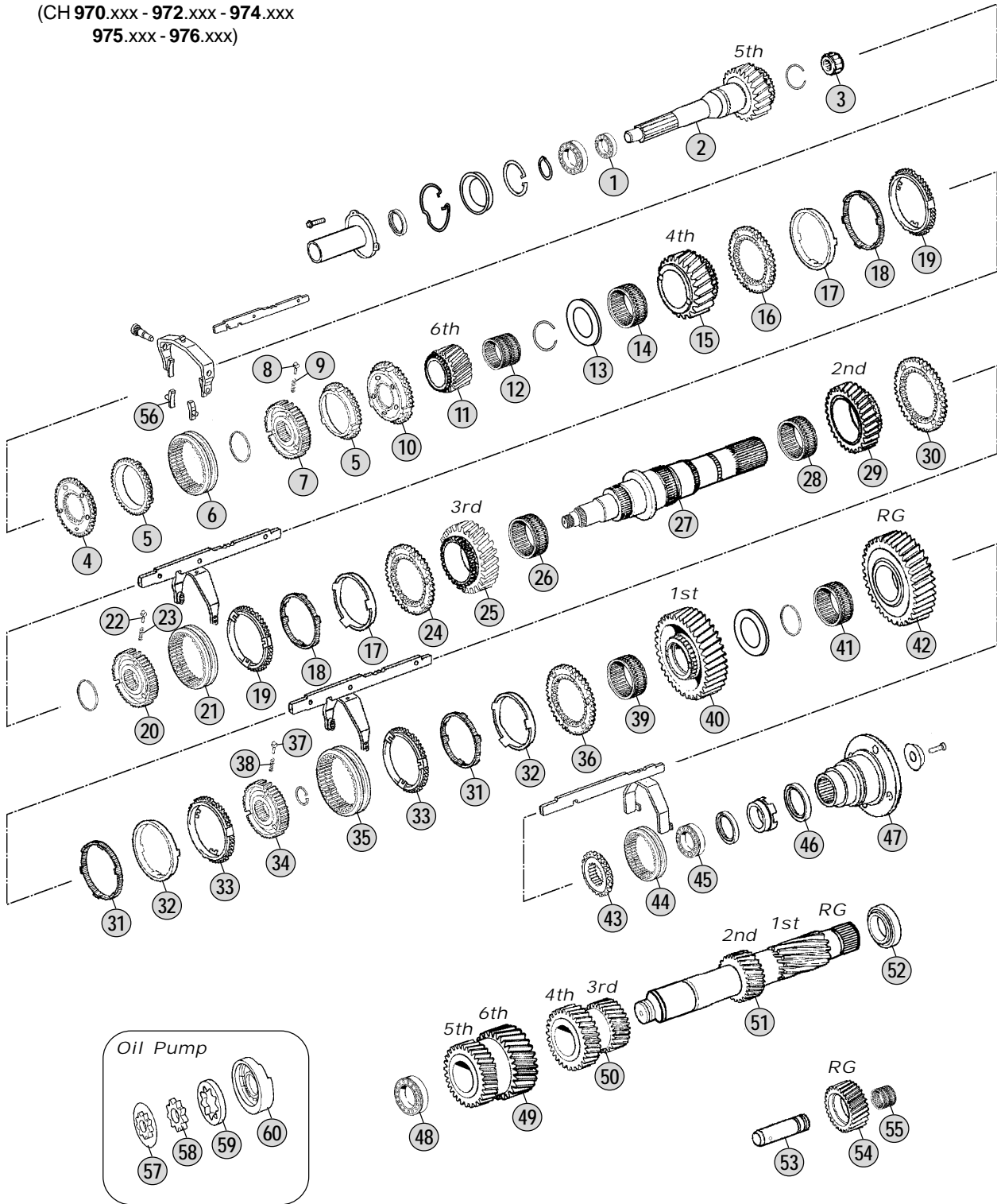
Table

0100

All original equipment manufacturers numbers, symbols, pictures, models and description used in this catalogue are for reference only, and it is not implied that any part listed is the product of these manufactures.
Tutti i nostri particolari non sono originali ma con essi intercambiabili. I riferimenti originali, le figure, i modelli sono esposti a semplice titolo indicativo. La nostra produzione riporta il nostro marchio.

Adattabile a : **MERCEDES**
Suitable To :

Models
ATEGO I - II
(CH 970.xxx - 972.xxx - 974.xxx
975.xxx - 976.xxx)



All original equipment manufacturers' numbers, symbols, models and description used in this catalogue are for reference only, and it is not implied that any part listed is the product of these manufactures. Tutti i nostri particolari non sono originali ma con essi intercambiabili. I riferimenti originali, le figure, i modelli sono esposti a semplice titolo indicativo. La nostra produzione riporta il nostro marchio.

Models

G 56 - 6 712.610-611-612-613-615

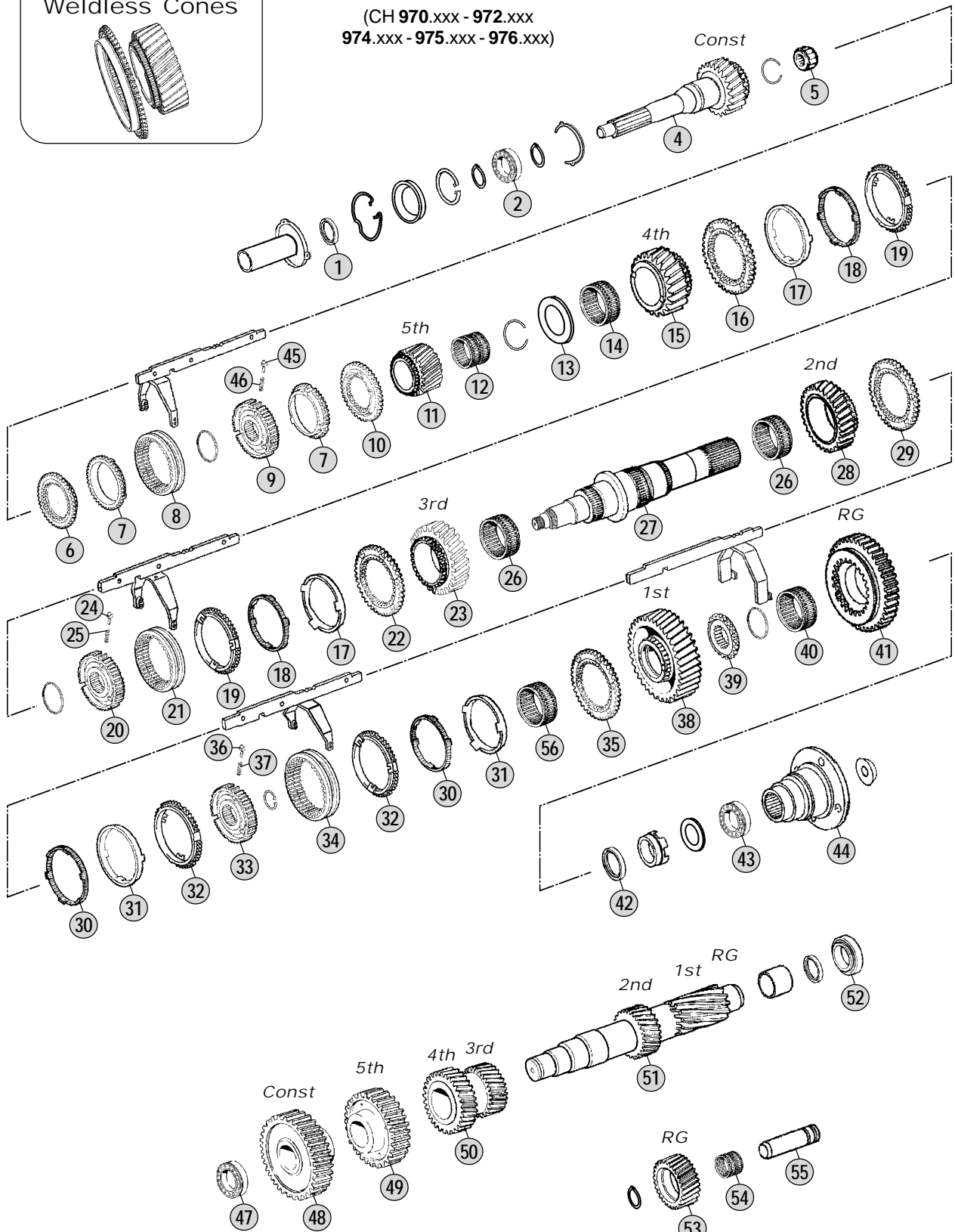


Adattabile a : **MERCEDES**
Suitable To :

G60 (6 Speeds)



Models
ATEGO I - II
(CH 970.xxx - 972.xxx
974.xxx - 975.xxx - 976.xxx)



All original equipment manufacturers' numbers, symbols, pictures, models and description used in this catalogue are for reference only, and it is not implied that any part listed is the product of these manufactures. Tutti i nostri particolari non sono originali ma con essi intercambiabili. I riferimenti originali, le figure, i modelli sono esposti a semplice titolo indicativo. La nostra produzione riporta il nostro marchio.

Models

G 60 - 6 712.620-621-622-623-624-625-641 715.050-051-053-054



Fig.	CEI no.	Rif. MB	Description	Q.ty	Note	G 60 - 6				
1	139.850	021 997 2547	Oil Seal 55x80x8	1		●				
2	130.844	009 981 5825	Ball Bearing 55x120x29	1		●				
4	102.411	970 262 2002	Input Shaft 24 T	1		●				
5	137.285	976 981 0012	Needle Bearing 56x36x32	1		●				
6	109.409	970 262 1534	Synchronizer Cone	1		●				
7	119.227	970 262 3037	Synchronizer Ring	2		●				
8	154.379	970 262 2923	Sliding Sleeve	1		●				
9	155.234	970 262 1535	Synchronizer Hub	1		●				
10	109.822	694 262 0034	Synchronizer Cone	1		●				
11	244.072	694 262 0115	Gear 5th Speed	1		●				
12	137.346	018 981 9710	Needle Cage 68x60x10	1		●				
13	269.367	976 262 0462	Washer	1		●				
14	137.345	017 981 5610	Needle Cage 72x80x31	1		●				
15	244.066	970 262 1114	Gear 4th Speed 35 T	1		●				
16	109.816	970 262 2434	Synchronizer Cone	1		●				
17	119.229	970 262 3537	Synchronizer Ring	2		●				
18	119.228	970 262 3134	Synchronizer Ring	2		●				
19	119.252	970 262 3937	Synchronizer Ring	2		●				
20	155.229	970 262 2535	Synchronizer Hub	1		●				
21	154.380	970 262 3423	Sliding Sleeve	1		●				
22	109.411	970 262 2534	Synchronizer Cone	1		●				
23	145.940	970 262 1213	Gear 3rd Speed 47 T	1		●				
24	160.259	970 262 0274	Pressure Piece	3		●				
25	156.199	970 993 6401	Spring	3		●				
26	137.344	018 981 5810	Needle Cage 86x94x44	2		●				
27	103.205	970 262 0405	Main Shaft	1		●				
28	244.012	970 262 1012	Gear 2nd Speed 45 T	1		●				
29	109.822	694 262 0034	Synchronizer Cone	1		●				
30	119.231	970 262 3034	Synchronizer Ring	2		●				
31	119.230	970 262 3437	Synchronizer Ring	2		●				
32	119.232	970 262 3837	Synchronizer Ring	2		●				
33	155.274	695 262 0035	Synchronizer Hub	1		●				
34	154.381	970 262 3323	Sliding Sleeve	1		●				
35	109.826	694 262 0234	Synchronizer Cone	1		●				
36	160.259	970 262 0274	Pressure Piece	3		●				
37	156.199	970 993 6401	Spring	3		●				
38	244.067	976 262 1411	Gear 1st Speed 50 T	1		●				
39	155.237	970 262 0835	Reverse Hub 27 T	1		●				
40	137.347	023 981 2910	Needle Cage	1		●				
41	145.944	970 262 0533	Reverse Gear 47 T	1		●				
42	139.851	024 997 3247	Oil Seal 70x88x10	1		●				
43	130.844	009 981 5825	Ball Bearing 55x120x29	1		●				
44	197.181	970 262 1345	Output Flange	1		●				
44	197.182	970 262 1745	Output Flange	1		●				
44	197.183	970 262 0545	Output Flange	1		●				

Notes

Date

04 / 2011

Table

0110

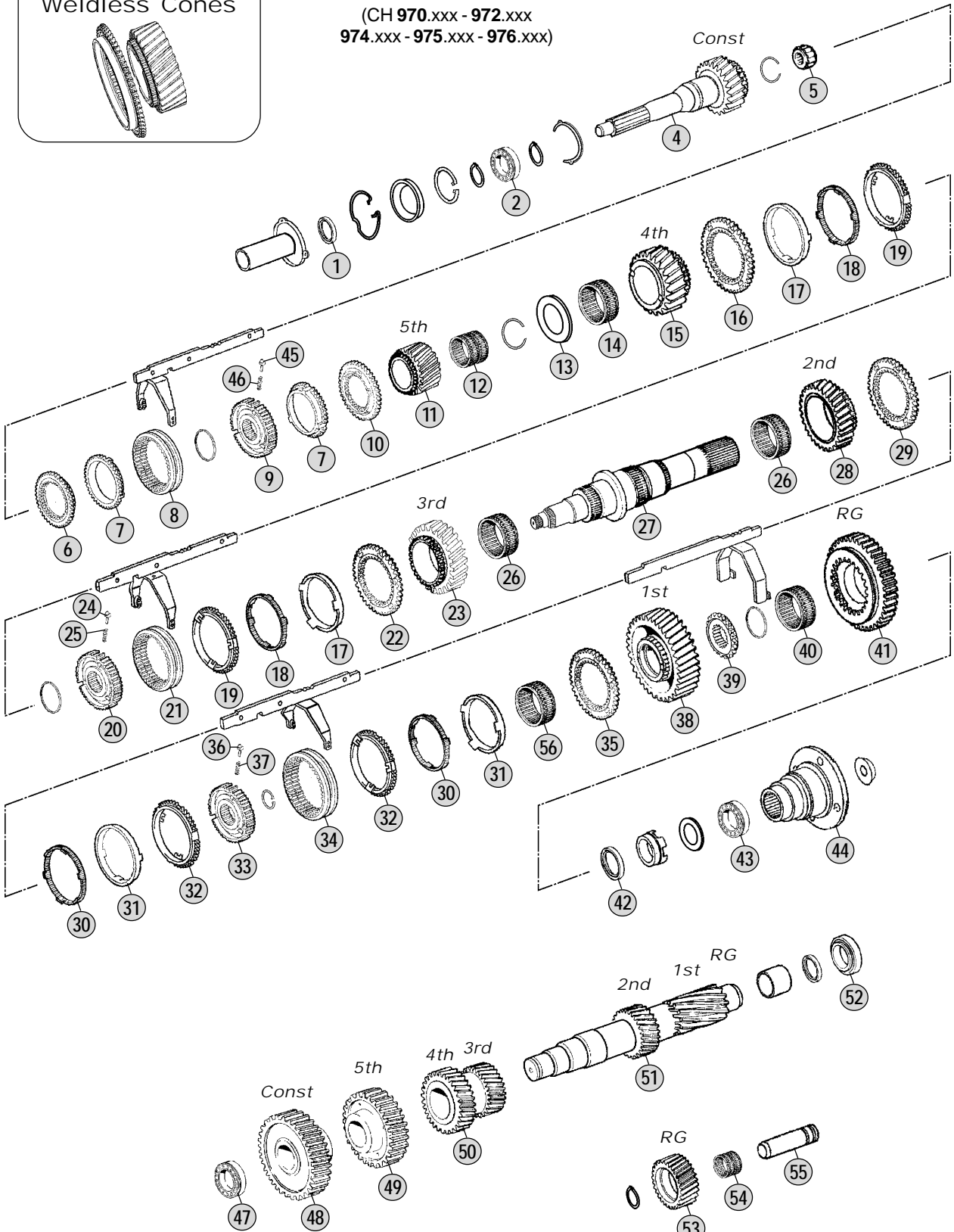
6 Speeds
G 60

Adattabile a : **MERCEDES**
Suitable To :

G60 (6 Speeds)



Models
ATEGO I - II
(CH 970.xxx - 972.xxx
974.xxx - 975.xxx - 976.xxx)



All original equipment manufacturers' numbers, symbols and description used in this catalogue are for reference only, and it is not implied that any part listed is the product of these manufactures. Tutti i nostri particolari non sono originali ma con essi intercambiabili. I riferimenti originali, le figure, i modelli sono esposti a semplice titolo indicativo. La nostra produzione riporta il nostro marchio.

Models

G 60 - 6 712.620-621-622-623-624-625-641 715.050-051-053-054

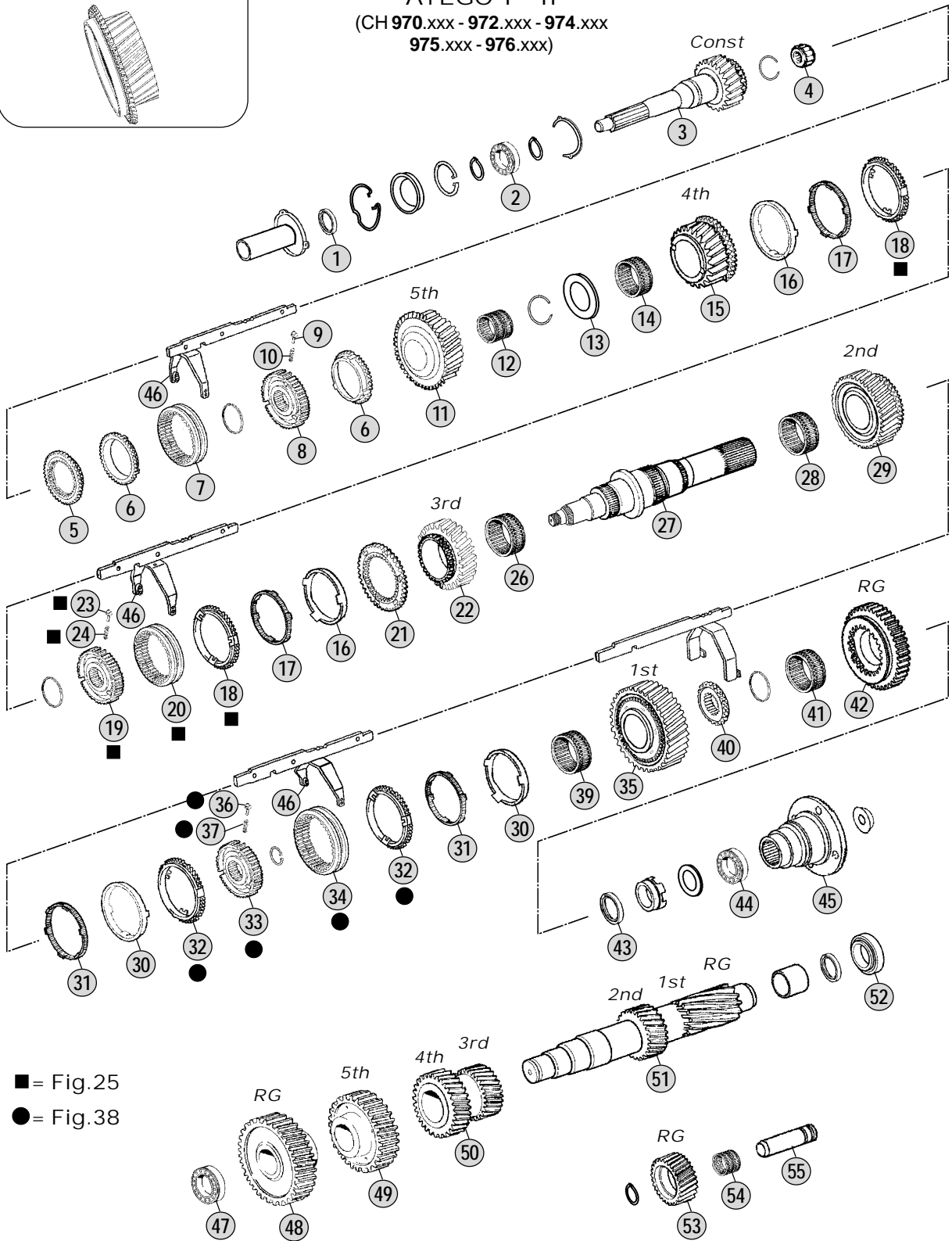


Adattabile a : **MERCEDES**
Suitable To :

G60 (6 Speeds)



Models
ATEGO I - II
(CH 970.xxx - 972.xxx - 974.xxx
975.xxx - 976.xxx)



All original equipment manufacturers' numbers, symbols, and description used in this catalogue are for reference only, and it is not implied that any part listed is the product of these manufacturers. Tutti i nostri particolari non sono originali ma con essi intercambiabili. I riferimenti originali, le figure, i modelli sono esposti a semplice titolo indicativo. La nostra produzione riporta il nostro marchio.

Models

G 60 - 6 712.620-621-622-623-624-625-641 715.050-051-053-054



Fig.	CEI no.	Rif. MB	Description	Q.ty	Note	G 60 - 6				
1	139.850	021 997 2547	Oil Seal 55x80x8	1		●				
2	130.844	009 981 5825	Ball Bearing 55x120x29	1		●				
3	102.411	970 262 2002	Input Shaft 24 T	1		●				
4	137.285	976 981 0012	Needle Bearing 56x36x32	1		●				
5	109.409	970 262 1534	Synchronizer Cone	1		●				
6	119.227	970 262 3037	Synchronizer Ring	2		●				
7	154.379	970 262 2923	Sliding Sleeve	1		●				
8	155.234	970 262 1535	Synchronizer Hub	1		●				
9	160.259	970 262 0274	Pressure Piece	3		●				
10	156.199	970 993 6401	Spring	3		●				
11	145.938	970 260 1944	Gear 5th Speed 28 T	1		●				
12	137.346	018 981 9710	Needle Cage 68x60x10	1		●				
13	269.358	970 262 0162	Spacer	1		●				
14	137.345	017 981 5610	Needle Cage 72x80x31	1		●				
15	145.939	970 260 2344	Gear 4th Speed 35 T	1		●				
16	119.229	970 262 3537	Synchronizer Ring	2		●				
17	119.228	970 262 3134	Synchronizer Ring	2		●				
18	119.252	970 262 3937	Synchronizer Ring	2	New Type	●				
19	155.229	970 262 2535	Synchronizer Hub	1	New Type	●				
20	154.380	970 262 3423	Sliding Sleeve	1	New Type	●				
21	109.411	970 262 2534	Synchronizer Cone	1		●				
22	145.940	970 262 1213	Gear 3rd Speed 47 T	1		●				
23	160.259	970 262 0274	Pressure Piece	3		●				
24	156.199	970 993 6401	Spring	3		●				
25	298.093	970 260 2944	Synchro kit 4th/3rd Speed	1	(1) New Type	●				
26	137.344	018 981 5810	Needle Cage 86x94x44	1		●				
27	103.212	970 262 0105	Main Shaft	1	Up to Gearbox 042297	●				
27	103.205	970 262 0405	Main Shaft	1	From Gearbox 042298	●				
28	137.344	018 981 5810	Needle Cage 86x94x44	1		●				
29	145.942	970 260 2544	Gear 2nd Speed 45 T	1		●				
30	119.231	970 262 3034	Synchronizer Ring	2		●				
31	119.230	970 262 3437	Synchronizer Ring	2		●				
32	119.232	970 262 3837	Synchronizer Ring	2	New Type	●				
33	155.230	970 262 2435	Synchronizer Hub	1	New Type	●				
34	154.381	970 262 3323	Sliding Sleeve	1	New Type	●				
35	145.943	970 260 0344	Gear 1st Speed 50 T	1		●				
36	160.259	970 262 0274	Pressure Piece	3		●				
37	156.199	970 993 6401	Spring	3		●				
38	298.094	970 260 2844	Synchro Kit 1st/2nd Speed	1	(2) New Type	●				
39	137.343	018 981 5310	Needle Cage 72x80x40	1		●				
40	155.237	970 262 0835	Reverse Hub 27 T	1		●				
41	137.368	018 981 5610	Needle Cage 72x64x45	1	Up to Gearbox 042297	●				
41	137.347	023 981 2910	Needle Cage	1	From Gearbox 042298	●				
42	145.944	970 262 0533	Reverse Gear 47 T	1		●				
42	244.092	970 262 0433	Reverse Gear 47 T	1		●				

Notes

- (1) The Kit replaces all previous versions using Synchronizer Ring 970 262 3237 and 970 262 2237
 (2) The Kit replaces all previous versions using Synchronizer Ring 970 262 3137 and 970 262 2137

Date

04 / 2011

Table

0120

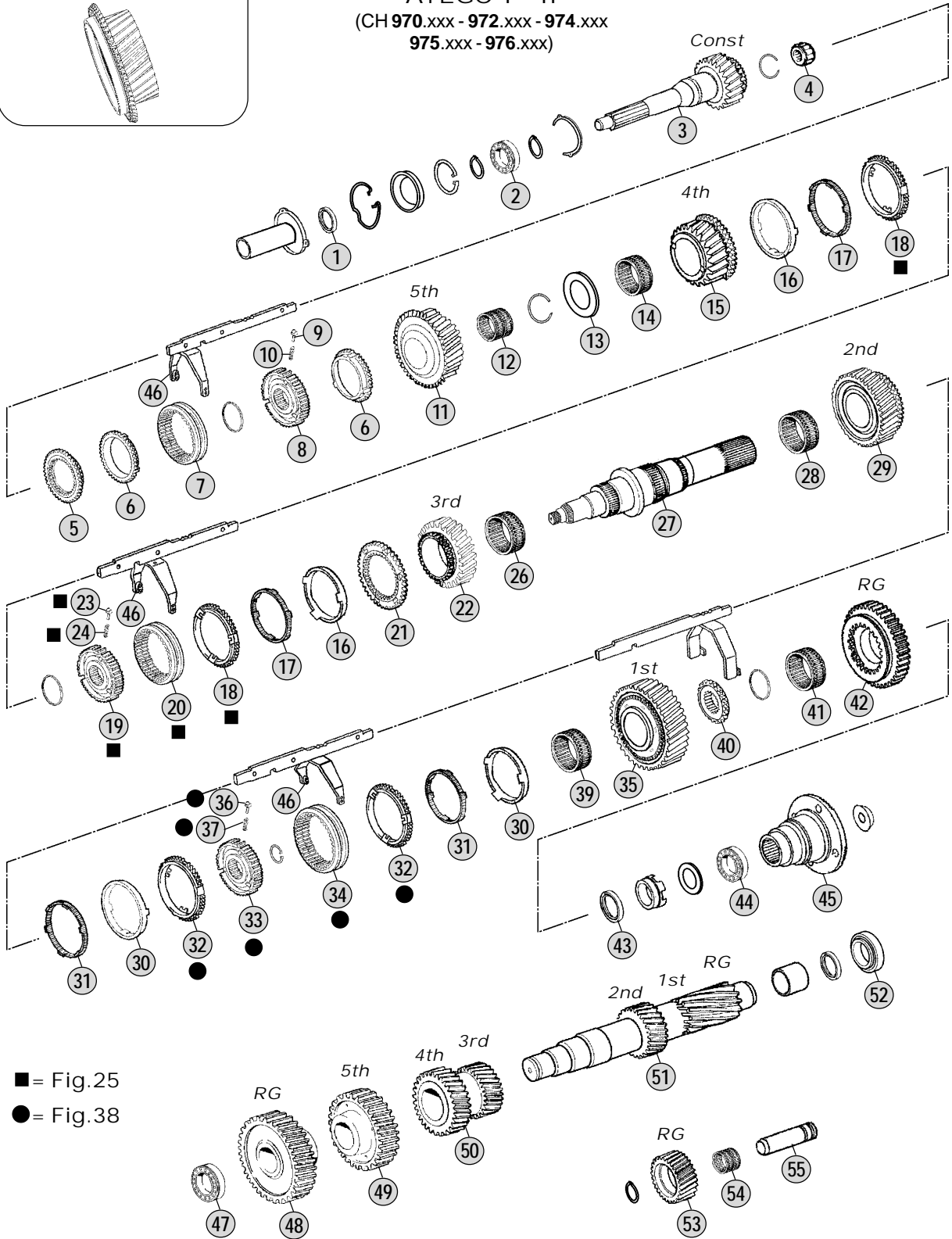
All original equipment manufacturers numbers, symbols, pictures, models and description used in this catalogue are for reference only, and it is not implied that any part listed is the product of these manufactures.
 Tutti i nostri particolari non sono originali ma con essi intercambiabili. I riferimenti originali, le figure, i modelli sono esposti a semplice titolo indicativo. La nostra produzione riporta il nostro marchio.

Adattabile a : **MERCEDES**
Suitable To :

G60 (6 Speeds)



Models
ATEGO I - II
(CH 970.xxx - 972.xxx - 974.xxx
975.xxx - 976.xxx)



Models

G 60 - 6 712.620-621-622-623-624-625-641 715.050-051-053-054

All original equipment manufacturers' numbers, symbols, pictures, models and description used in this catalogue are for reference only, and it is not implied that any part listed is the product of these manufactures. Tutti i nostri particolari non sono originali ma con essi intercambiabili. I riferimenti originali, le figure, i modelli sono esposti a semplice titolo indicativo. La nostra produzione riporta il nostro marchio.

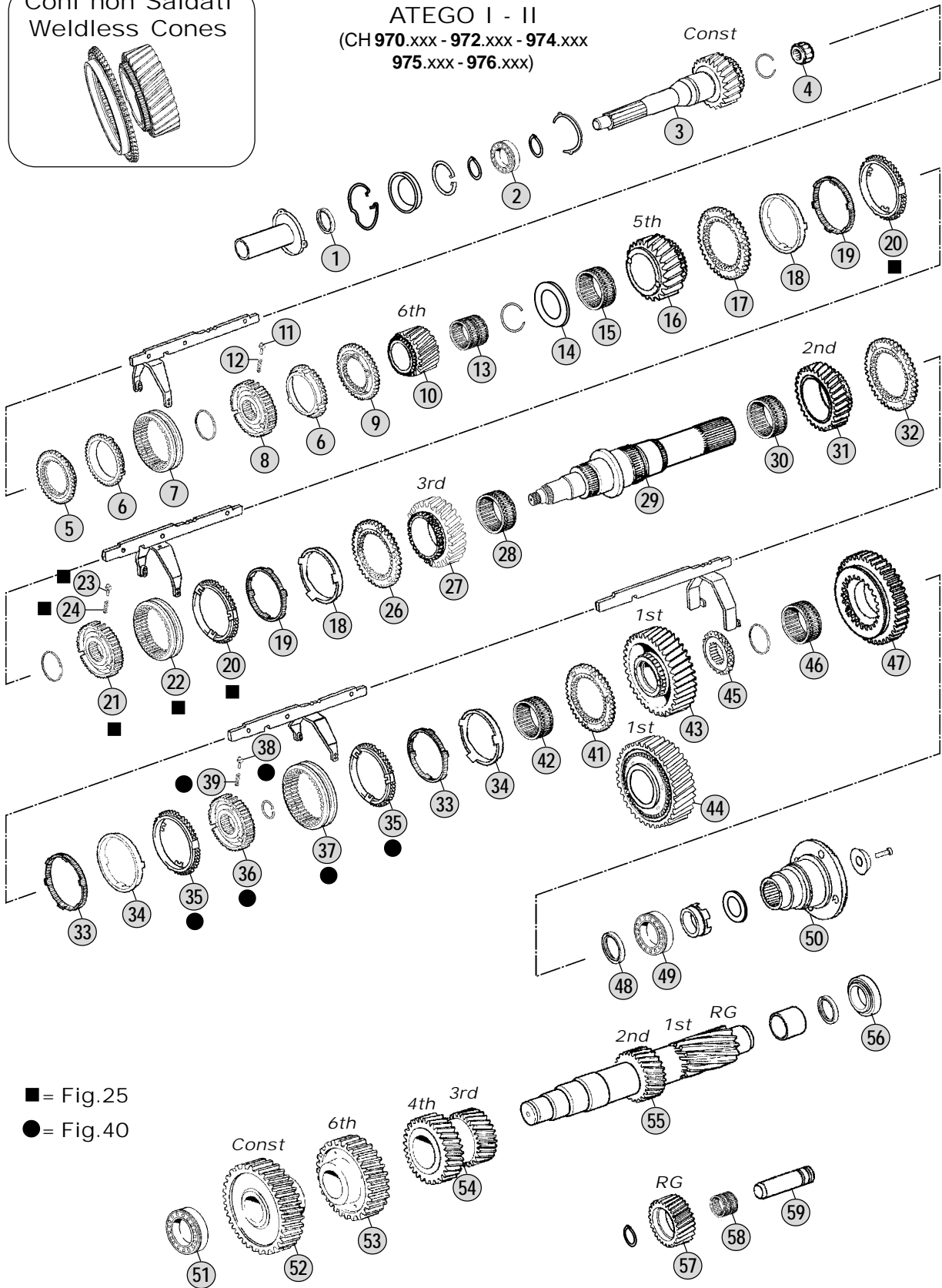


Adattabile a : **MERCEDES**
Suitable To :

G85 (6 Speeds)



Models
ATEGO I - II
(CH 970.xxx - 972.xxx - 974.xxx
975.xxx - 976.xxx)



Models

G 85 - 6 712.630-631-632-633-634-652-653 715.062-064

All original equipment manufacturers' numbers, symbols and description used in this catalogue are for reference only, and it is not implied that any part listed is the product of these manufactures. Tutti i nostri particolari non sono originali ma con essi intercambiabili. I riferimenti originali, le figure, i modelli sono esposti a semplice titolo indicativo. La nostra produzione riporta il nostro marchio.



Fig.	CEI no.	Rif. MB	Description	Q.ty	Note	G 85 - 6				
1	139.850	021 997 2547	Oil Seal 55x80x8	1		●				
2	130.844	009 981 5825	Ball Bearing 55x120x29	1		●				
3	102.477	976 262 1402	Input Shaft 28 T	1		●				
3	102.480	976 262 1702	Input Shaft 28 T	1		●				
3	102.479	976 262 0502	Input Shaft 28 T	1		●				
3	102.478	976 262 2302	Input Shaft 28 T	1		●				
4	137.285	976 981 0012	Needle Bearing 56x36x32	1		●				
5	109.409	970 262 1534	Synchronizer Cone	1		●				
6	119.227	970 262 3037	Synchronizer Ring	2		●				
7	154.379	970 262 2923	Sliding Sleeve	1		●				
8	155.274	695 262 0035	Synchronizer Hub	1	(A) Old Type	●				
8	157.720	976 262 0835	Synchronizer Hub	1	(B)	●				
9	109.820	695 262 0034	Synchronizer Cone	1	(A) Old Type	●				
9	109.821	976 262 1634	Synchronizer Cone	1	(B)	●				
10	244.071	976 262 1016	Gear 6th Speed 24 T	1	(A) Old Type	●				
10	146.669	976 262 0816	Gear 6th Speed 24 T	1	(B)	●				
11	160.259	970 262 0274	Pressure Piece	3		●				
12	156.199	970 993 6401	Spring	3		●				
13	137.350	018 981 3610	Needle Cage 50x56x44	1		●				
14	269.367	976 262 0462	Washer	1		●				
15	137.345	017 981 5610	Needle Cage 72x80x31	1		●				
16	244.066	970 262 1114	Gear 4th Speed 35 T	1		●				
17	109.816	970 262 2434	Synchronizer Cone	1		●				
18	119.229	970 262 3537	Synchronizer Ring	2		●				
19	119.228	970 262 3134	Synchronizer Ring	2		●				
20	119.252	970 262 3937	Synchronizer Ring	2		●				
21	155.229	970 262 2535	Synchronizer Hub	1		●				
22	154.380	970 262 3423	Sliding Sleeve	1		●				
23	160.259	970 262 0274	Pressure Piece	3		●				
24	156.199	970 993 6401	Spring	3		●				
25	298.093	970 260 2944	Synchro kit 4th/3rd Speed	1		●				
26	109.411	970 262 2534	Synchronizer Cone	1		●				
27	145.940	970 262 1213	Gear 3rd Speed 47 T	1		●				
28	137.344	018 981 5810	Needle Cage 86x94x44	1		●				
29	103.214	976 262 1205	Main Shaft	1	Up to Gearbox 042297	●				
29	103.247	976 262 1705	Main Shaft	1	From Gearbox 042298	●				
30	137.344	018 981 5810	Needle Cage 86x94x44	1		●				
31	244.012	970 262 1012	Gear 2nd Speed 45 T	1		●				
32	109.412	970 262 2334	Synchronizer Cone	1		●				
32	109.823	975 262 0234	Synchronizer Cone	1	(1) Old Type	●				
33	119.231	970 262 3034	Synchronizer Ring	2		●				
34	119.230	970 262 3437	Synchronizer Ring	2		●				
35	119.232	970 262 3837	Synchronizer Ring	2		●				
36	155.230	970 262 2435	Synchronizer Hub	1		●				
37	154.381	970 262 3323	Sliding Sleeve	1		●				

All original equipment manufacturers numbers, symbols, pictures, models and description used in this catalogue are for reference only, and it is not implied that any part listed is the product of these manufactures.
Tutti i nostri particolari non sono originali ma con essi intercambiabili. I riferimenti originali, le figure, i modelli sono esposti a semplice titolo indicativo. La nostra produzione riporta il nostro marchio.

Notes

- (A - B) To be coupled together
 (1) Replaced by 970 262 2334 + 970 262 1012 + 970 262 2435
 (2) Replaced by 970 262 0311 + 970 262 1734

Date

04 / 2011

Table

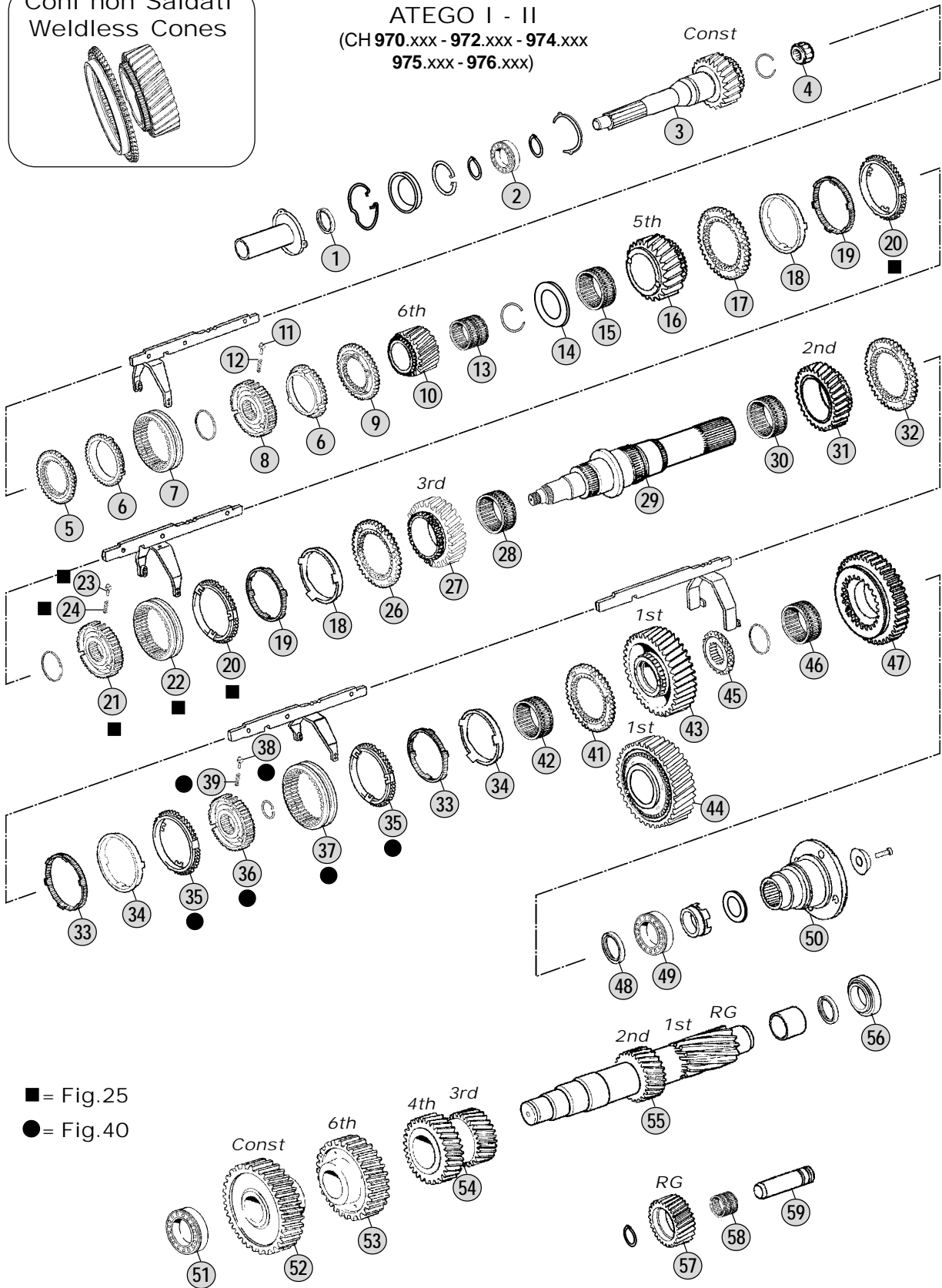
0130

Adattabile a : **MERCEDES**
Suitable To :

G85 (6 Speeds)



Models
ATEGO I - II
(CH 970.xxx - 972.xxx - 974.xxx
975.xxx - 976.xxx)



All original equipment manufacturers' numbers, symbols and description used in this catalogue are for reference only, and it is not implied that any part listed is the product of these manufactures. Tutti i nostri particolari non sono originali ma con essi intercambiabili. I riferimenti originali, le figure, i modelli sono esposti a semplice titolo indicativo. La nostra produzione riporta il nostro marchio.

Models

G 85 - 6 712.630-631-632-633-634-652-653 715.062-064



Fig.	CEI no.	Rif. MB	Description	Q.ty	Note	G 85 - 6				
38	160.259	970 262 0274	Pressure Piece	3		●				
39	156.199	970 993 6401	Spring	3		●				
40	298.094	970 260 2844	Synchro Kit 1st/2nd Speed	1		●				
41	109.413	970 262 1734	Synchronizer Cone	1		●				
42	137.343	018 981 5310	Needle Cage 72x80x40	1		●				
43	244.011	970 262 0311	Gear 1st Speed 50 T	1		●				
44	244.067	976 262 1411	Gear 1st Speed Z 50	1	(2)	●				
45	155.237	970 262 0835	Reverse Hub 27 T	1		●				
46	137.368	018 981 5610	Needle Cage 72x64x45	1	Up to Gearbox 042297	●				
46	137.347	023 981 2910	Needle Cage	1	From Gearbox 042298	●				
47	145.944	970 262 0533	Reverse Gear 47 T	1		●				
47	244.092	970 262 0433	Reverse Gear 47 T	1		●				
48	139.851	024 997 3247	Oil Seal 70x88x10	1		●				
49	130.844	009 981 5825	Ball Bearing 55x120x29	1		●				
50	197.181	970 262 1345	Output Flange	1		●				
50	197.184	970 262 1045	Output Flange	1		●				
50	197.198	976 262 0845	Output Flange	1		●				
50	197.185	970 262 1145	Output Flange	1		●				
51	130.845	009 981 5725	Ball Bearing 45x100x25	1		●				
52	145.966	976 263 1210	Constant Gear 45 T	1		●				
53	145.965	976 263 0216	Gear 6th Speed 53 T	1		●				
54	143.137	970 263 0713	Double Gear 3rd/4th Sp.-33/38 T	1		●				
55	105.204	970 263 0702	Countershaft 12/19 T	1		●				
56	130.846	010 981 4901	Bearing 47,5x80,1x26,4	1		●				
57	147.273	970 263 0331	Reverse Gear 21 T	1		●				
58	137.348	018 981 5710	Needle Cage 32x40x49,3	1		●				
59	117.428	976 262 0350	Bush	1		●				

6 Speeds
G 85

All original equipment manufacturers' numbers, symbols, pictures, models and description used in this catalogue are for reference only, and it is not implied that any part listed is the product of these manufacturers.
Tutti i nostri particolari non sono originali ma con essi intercambiabili. I riferimenti originali, le figure, i modelli sono esposti a semplice titolo indicativo. La nostra produzione riporta il nostro marchio.

Notes

- (A - B) To be coupled together
 (1) Replaced by 970 262 2334 + 970 262 1012 + 970 262 2435
 (2) Replaced by 970 262 0311 + 970 262 1734

Date

04 / 2011

Table**0130**

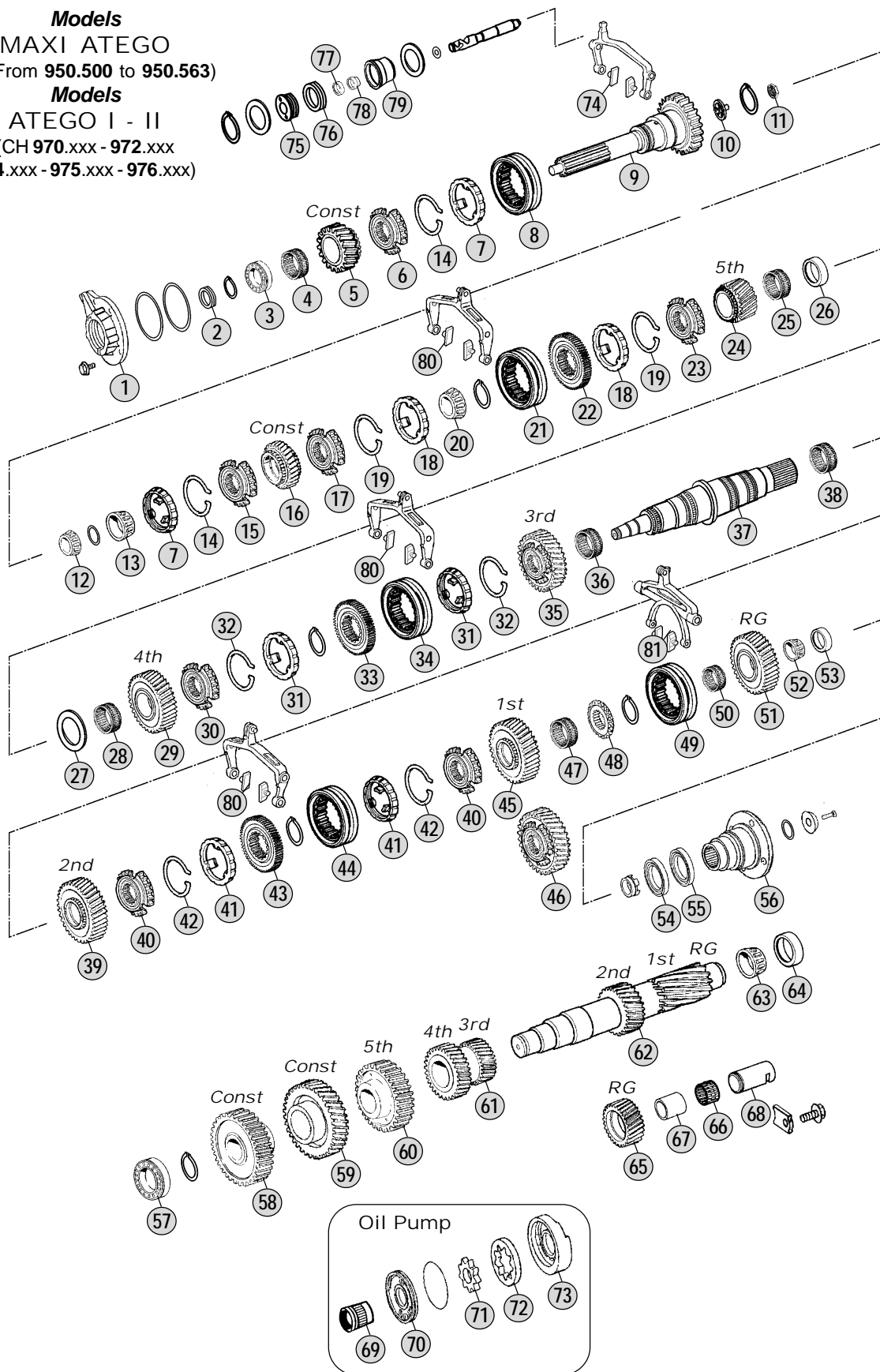
Adattabile a : **MERCEDES**
Suitable To :

Models

MAXI ATEGO
(CH From 950.500 to 950.563)

Models

ATEGO I - II
(CH 970.xxx - 972.xxx
974.xxx - 975.xxx - 976.xxx)



All original equipment manufacturers' numbers, symbols and description used in this catalogue are for reference only, and it is not implied that any part listed is the product of these manufactures.
Tutti i nostri particolari non sono originali ma con essi intercambiabili. I riferimenti originali, le figure, i modelli sono esposti a semplice titolo indicativo. La nostra produzione riporta il nostro marchio.

Models

G 100 - 6 715.320 - 715.321

Fig.	CEI no.	Rif. MB	Description	Q.ty	Note	G 100 - 6				
1	135.200	976 261 0318	Front Cover	1		●				
2	139.549	024 997 3047	Seal Ring 52x68x8 mm	1		●				
3	130.828	014 981 3905	Roller Bearing	1	Oem	●				
3	530.828	014 981 3905	Roller Bearing	1	A.Market	●				
4	137.351	018 981 0510	Needle Cage 75x67x37	1		●				
5	145.812	976 262 0210	Constant Gear I 26 T	1		●				
6	109.328	389 262 1134	Synchronizer Cone	1		●				
7	119.112	389 262 0637	Synchronizer Ring	2		●				
7	119.226	389 262 3137	Synchronizer Ring	2	LONG LIFE	●				
8	154.221	945 262 0323	Sliding Sleeve	1		●				
8	154.408	M945 262 0323	Sliding Sleeve	1	LONG LIFE	●				
9	102.414	976 262 2101	Input Shaft	1		●				
9	102.324	976 262 2501	Input Shaft	1		●				
10	139.749	976 269 0034	Oil Collector	1		●				
11	287.043	976 990 0150	Nut	1		●				
12	130.803	012 981 2805	Bearing 32x29,5	1		●				
13	130.827	013 981 0305	Roller Bearing 38,1x29,77	1	Oem	●				
13	530.827	013 981 0305	Roller Bearing 38,1x29,77	1	A.Market	●				
14	111.204	387 262 1093	Elastic Ring	2		●				
15	109.389	976 262 2834	Synchronizer Cone	1		●				
16	145.814	976 262 1510	Constant Gear II 23 T	1		●				
17	109.389	976 262 2834	Synchronizer Cone	1		●				
18	119.112	389 262 0637	Synchronizer Ring	2		●				
18	119.226	389 262 3137	Synchronizer Ring	2	LONG LIFE	●				
19	111.204	387 262 1093	Elastic Ring	2		●				
20	130.804	013 981 0405	Bearing	1		●				
21	154.221	945 262 0323	Sliding Sleeve	1		●				
21	154.408	M945 262 0323	Sliding Sleeve	1	LONG LIFE	●				
22	157.628	389 262 1935	Synchronizer Hub	1		●				
23	109.329	945 262 4034	Synchronizer Cone	1		●				
24	145.816	976 262 1515	Gear 5th Speed 28 T	1		●				
25	137.352	018 981 7710	Needle Cage	1		●				
26	117.428	976 262 0350	Bush	1		●				
27	269.368	976 262 0052	Washer	1		●				
28	137.187	009 981 1510	Needle Cage K78x86x35ZW	1		●				
29	145.569	389 262 0914	Gear 4th Speed 35 T	1		●				
30	109.335	945 262 0334	Synchronizer Cone	1		●				
31	119.112	389 262 0637	Synchronizer Ring	2		●				
31	119.226	389 262 3137	Synchronizer Ring	2	LONG LIFE	●				
32	111.204	387 262 1093	Elastic Ring	2		●				
33	157.629	389 262 2735	Synchronizer Hub	1		●				
34	154.221	945 262 0323	Sliding Sleeve	1		●				
34	154.408	M945 262 0323	Sliding Sleeve	1	LONG LIFE	●				
35	145.813	976 262 1113	Gear 3rd Speed 47 T	1		●				
36	137.204	007 981 5510	Needle Cage 92x100x49,5	1		●				

Notes

(1) Fig. 46 Could be replaced by Fig.40 + Fig.45

Date

04 / 2011

Table

0140

All original equipment manufacturers numbers, symbols, pictures, models and description used in this catalogue are for reference only, and it is not implied that any part listed is the product of these manufactures.
Tutti i nostri particolari non sono originali ma con essi intercambiabili. I riferimenti originali, le figure, i modelli sono esposti a semplice titolo indicativo. La nostra produzione riporta il nostro marchio.

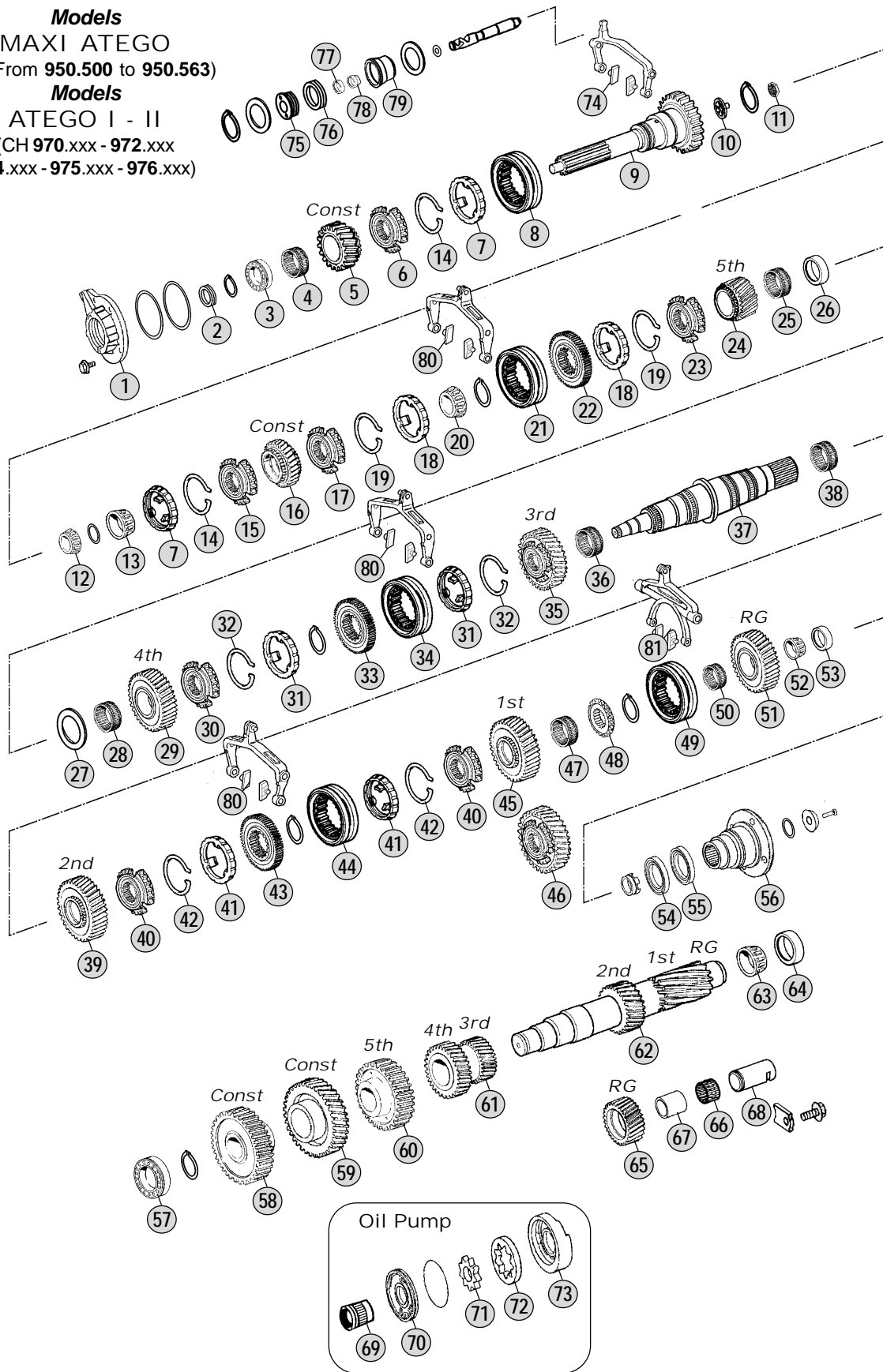
Adattabile a : **MERCEDES**
Suitable To :

Models

MAXI ATEGO
(CH From 950.500 to 950.563)

Models

ATEGO I - II
(CH 970.xxx - 972.xxx
974.xxx - 975.xxx - 976.xxx)



All original equipment manufacturers' numbers, symbols and description used in this catalogue are for reference only, and it is not implied that any part listed is the product of these manufactures. Tutti i nostri particolari non sono originali ma con essi intercambiabili. I riferimenti originali, le figure, i modelli sono esposti a semplice titolo indicativo. La nostra produzione riporta il nostro marchio.

Models

G 100 - 6 715.320 - 715.321

Fig.	CEI no.	Rif. MB	Description	Q.ty	Note	G 100 - 6				
37	103.171	976 262 2105	Main Shaft	1		●				
38	137.204	007 981 5510	Needle Cage 92x100x49,5	1		●				
39	145.815	976 262 1612	Gear 2nd Speed 45 T	1		●				
40	109.187	945 262 0434	Synchronizer Cone	2		●				
41	119.161	389 262 0737	Synchronizer Ring	2		●				
41	119.225	389 262 3237	Synchronizer Ring	2	LONG LIFE	●				
42	111.205	387 262 0893	Elastic Ring	2		●				
43	157.627	389 262 1135	Synchronizer Hub	1		●				
44	154.220	945 262 0423	Sliding Sleeve	1		●				
44	154.409	M945 262 0423	Sliding Sleeve	1	LONG LIFE	●				
45	145.912	976 262 1211	Gear 1st Speed 50 T	1		●				
46	196.439	976 262 0011	Gear 1st Speed	1	(1) Assy	●				
47	137.221	019 981 1510	Needle Cage 85x93x40	1		●				
48	157.714	976 262 0335	Synchronizer Hub	1		●				
49	154.224	389 262 1723	Sliding Sleeve	1		●				
50	137.251	018 981 8110	Needle Cage 75x83x48	1		●				
51	147.244	976 262 1333	Reverse Gear 47 T	1		●				
52	130.826	002 981 4581	Roller bearing 65x121,6x31	1	Oem	●				
52	530.826	002 981 4581	Roller bearing 65x121,6x31	1	A.Market	●				
53	269.369	001 981 9680	Ring	1		●				
54	139.852	007 997 9647	Seal Ring	1		●				
55	139.563	023 997 8547	Oil Seal 80x100x12	1		●				
56	197.166	947 262 0345	Output Flange D.150mm	1		●				
57	130.554	014 981 1405	Bearing 50,8x100x35	1		●				
58	146.579	976 263 1510	Constant Gear I 51 T	1		●				
59	146.580	976 263 0710	Constant Gear II 55 T	1		●				
60	146.578	976 263 0615	Gear 5th Speed 45 T	1		●				
61	143.098	389 263 2113	Double Gear 38/33 T	1		●				
62	105.198	976 263 0402	Countershaft 12/19 T	1		●				
63	130.829	002 981 4681	Roller bearing 45x97,2x30	1	Oem	●				
63	530.829	002 981 4681	Roller bearing 45x97,2x30	1	A.Market	●				
64	130.852	001 981 9780	Bearing Cup	1		●				
65	147.272	976 263 0031	Reverse Gear 21 T	1		●				
66	137.353	019 981 4610	Needle Cage	1		●				
67	117.431	976 263 0050	Bush	1		●				
68	107.174	976 263 0030	Reverse Shaft	1		●				
69	101.171	976 269 0010	Oil Pump Shaft	1		●				
69	101.170	976 269 0110	Oil Pump Shaft	1		●				
70	189.681	389 269 2001	Oil Pump Cover	1		●				
71	189.683	389 269 1606	Oil Pump Gear	1		●				
72	189.605	389 269 0706	Oil Pump Hub	1		●				
73	189.682	389 269 2101	Oil Pump Cover	1		●				
74	141.165	947 265 0349	Slide Fork	2	BRASS	●				
74	141.221	M947 265 0349	Slide Fork	2	IRON	●				
75	189.680	945 267 0218	Piston	1		●				

Notes

(1) Fig. 46 Could be replaced by Fig.40 + Fig.45

Date

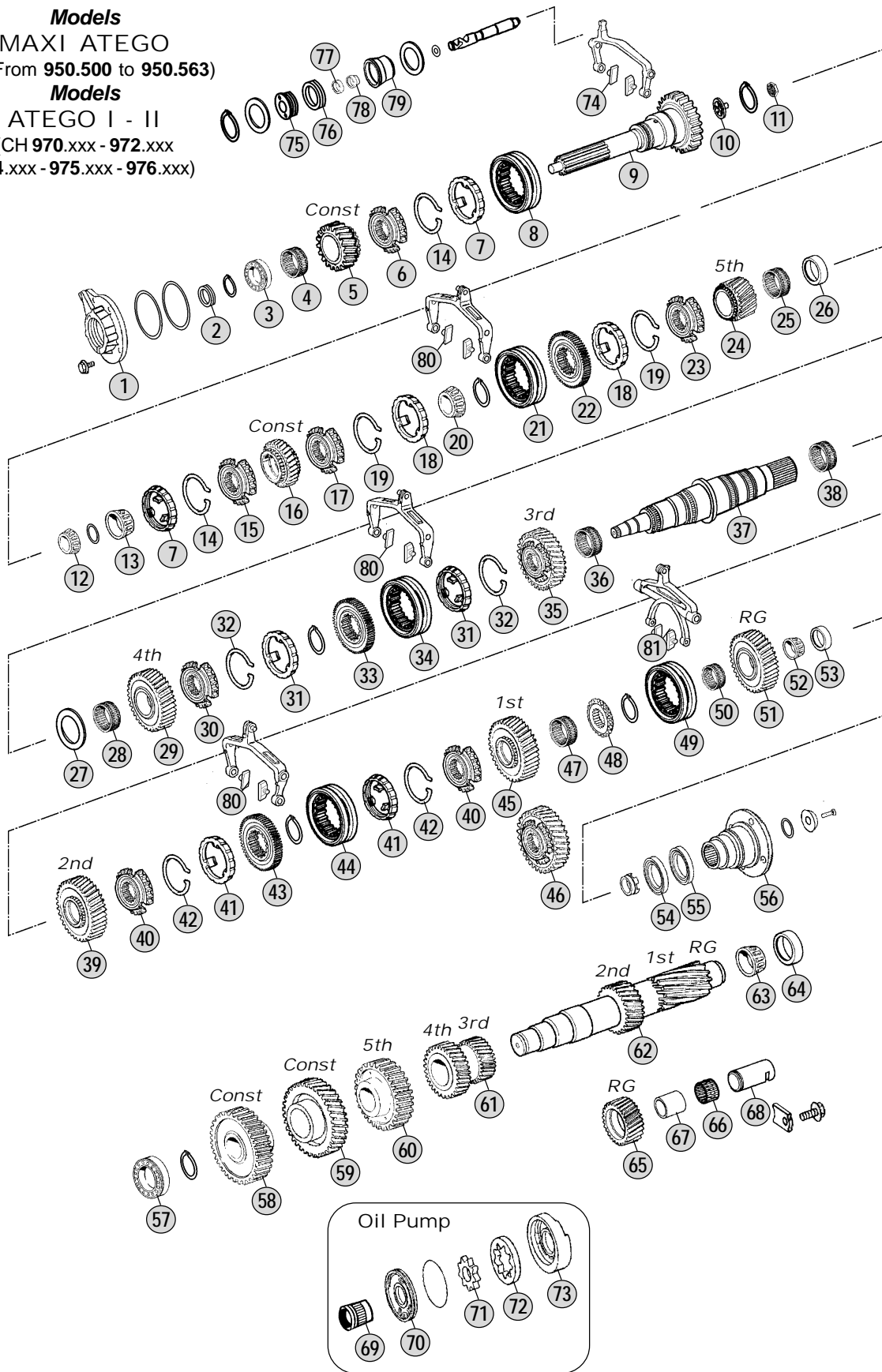
04 / 2011

Table

0140

Adattabile a : **MERCEDES**
Suitable To :

Models
MAXI ATEGO
(CH From 950.500 to 950.563)
Models
ATEGO I - II
(CH 970.xxx - 972.xxx
974.xxx - 975.xxx - 976.xxx)



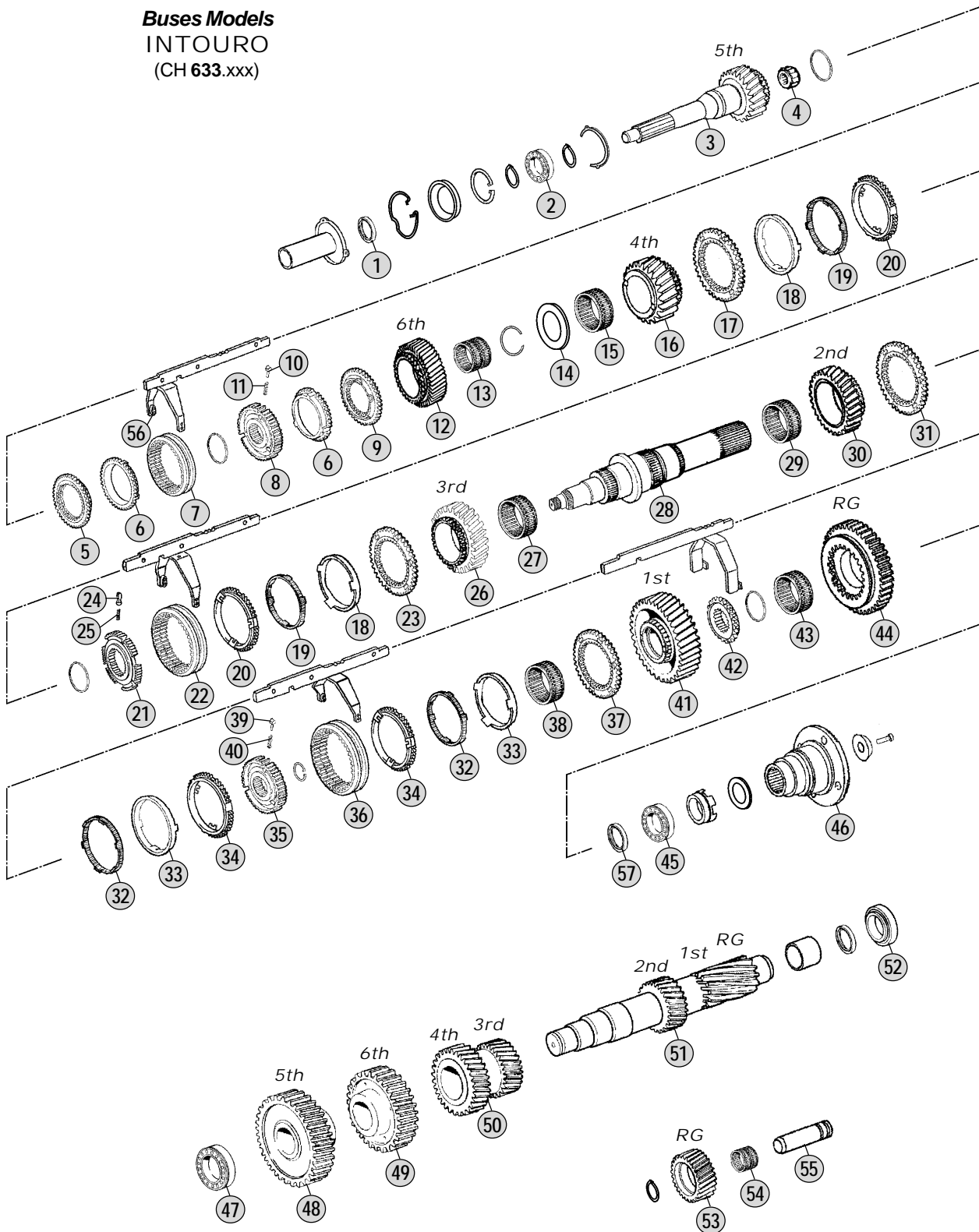
All original equipment manufacturers' numbers, symbols and description used in this catalogue are for reference only, and it is not implied that any part listed is the product of these manufactures.
Tutti i nostri particolari non sono originali ma con essi intercambiabili. I riferimenti originali, le figure, i modelli sono esposti a semplice titolo indicativo. La nostra produzione riporta il nostro marchio.

Models

G 100 - 6 715.320 - 715.321

Adattabile a : **MERCEDES**
Suitable To :

Buses Models
INTOURO
(CH 633.xxx)



All original equipment manufacturers' numbers, symbols and description used in this catalogue are for reference only, and it is not implied that any part listed is the product of these manufactures.
Tutti i nostri particolari non sono originali ma con essi intercambiabili. I riferimenti originali, le figure, i modelli sono esposti a semplice titolo indicativo. La nostra produzione riporta il nostro marchio.

Models

GO110 - 6 712.635-637

Fig.	CEI no.	Rif. MB	Description	Q.ty	Note	G0110 - 6				
1	139.850	021 997 2547	Oil Seal 55x80x8	1		●				
2	130.844	009 981 5825	Ball Bearing 55x120x29	1		●				
3	102.481	444 262 0002	Input Shaft	1		●				
4	137.285	976 981 0012	Needle Bearing 56x36x32	1		●				
5	109.409	970 262 1534	Synchronizer Cone	1		●				
6	119.227	970 262 3037	Synchronizer Ring	1		●				
7	154.379	970 262 2923	Sliding Sleeve	1		●				
8	155.274	695 262 0035	Synchronizer Hub	1		●				
9	109.820	695 262 0034	Synchronizer Cone	1		●				
10	160.259	970 262 0274	Pressure Piece	3		●				
11	156.199	970 993 6401	Spring	3		●				
12	244.070	444 262 0016	Gear 6th Speed	1		●				
13	137.350	018 981 3610	Needle Cage	1		●				
14	269.367	976 262 0462	Washer	1		●				
15	137.345	017 981 5610	Needle Cage 72x80x31	1		●				
16	244.066	970 262 1114	Gear 4th Speed	1		●				
17	109.816	970 262 2434	Synchronizer Cone	1		●				
18	119.229	970 262 3537	Synchronizer Ring	2		●				
19	119.228	970 262 3134	Synchronizer Ring	2		●				
20	119.252	970 262 3937	Synchronizer Ring	2		●				
21	155.229	970 262 2535	Synchronizer Hub	1		●				
22	154.380	970 262 3423	Sliding Sleeve	1		●				
23	109.411	970 262 2534	Synchronizer Cone	1		●				
24	160.259	970 262 0274	Pressure Piece	3		●				
25	156.199	970 993 6401	Spring	3		●				
26	145.940	970 262 1213	Gear 3rd Speed 47 T	1		●				
27	137.344	018 981 5810	Needle Cage 86x94x44	1		●				
28	103.247	976 262 1705	Main Shaft	1		●				
29	137.344	018 981 5810	Needle Cage 86x94x44	1		●				
30	244.012	970 262 1012	Gear 2nd Speed 45 T	1		●				
31	109.823	975 262 0234	Synchronizer Cone	1		●				
32	119.231	970 262 3034	Synchronizer Ring	2		●				
33	119.230	970 262 3437	Synchronizer Ring	2		●				
34	119.232	970 262 3837	Synchronizer Ring	2		●				
35	155.230	970 262 2435	Synchronizer Hub	1		●				
36	154.381	970 262 3323	Sliding Sleeve	1		●				
37	109.826	694 262 0234	Synchronizer Cone	1		●				
38	137.343	018 981 5310	Needle Cage 72x80x40	1		●				
39	160.259	970 262 0274	Pressure Piece	3		●				
40	156.199	970 993 6401	Spring	3		●				
41	244.067	976 262 1411	Gear 1st Speed Z 50	1		●				
42	155.237	970 262 0835	Reverse Hub 27 T	1		●				
43	137.347	023 981 2910	Needle Cage	1		●				
44	145.944	970 262 0533	Reverse Gear 47 T	1		●				
45	130.844	009 981 5825	Ball Bearing 55x120x29	1		●				

Notes

Date

04/ 2011

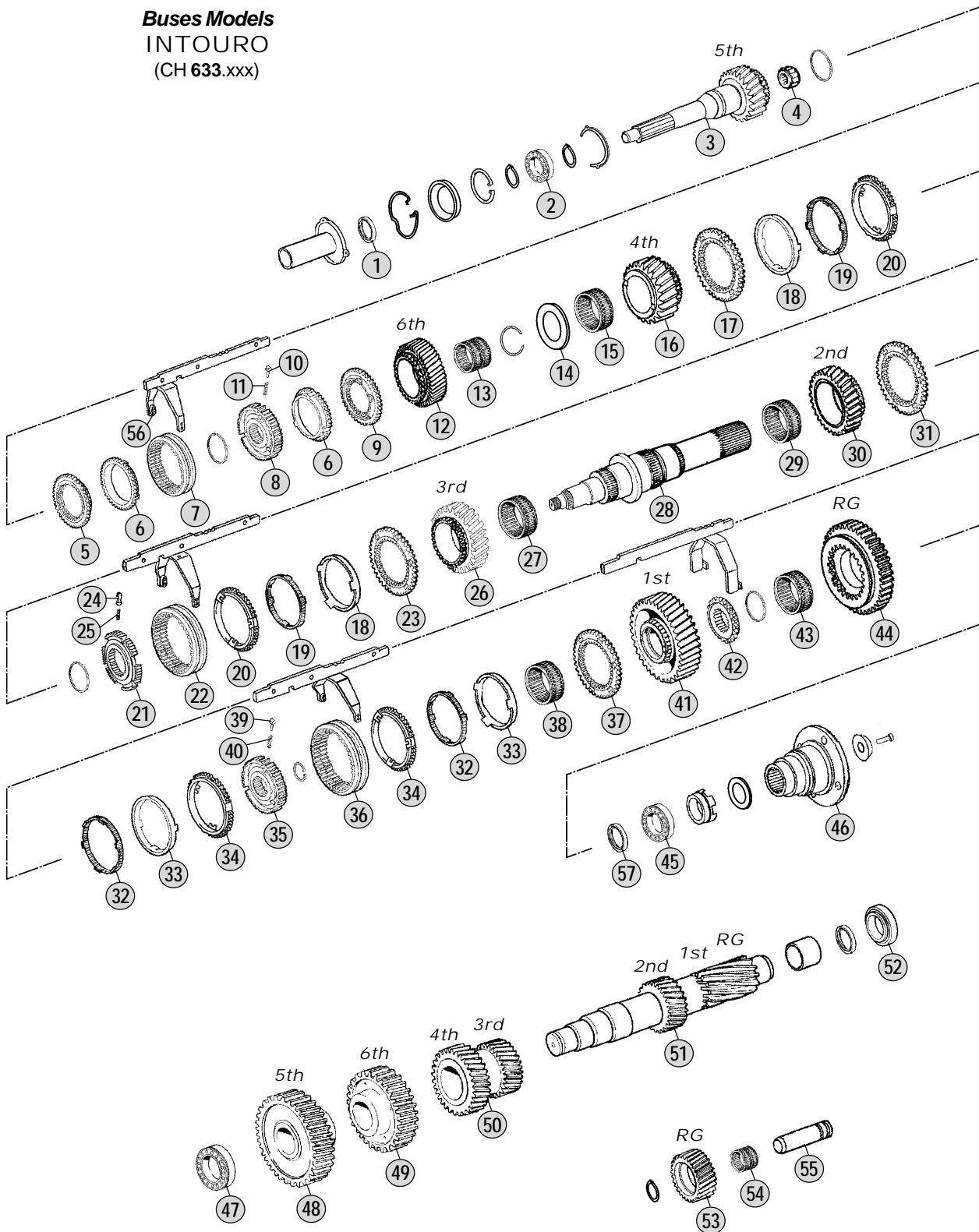
Table

0150

6 Speeds
G0110

Adattabile a : **MERCEDES**
Suitable To :

Buses Models
INTOURO
(CH 633.xxx)



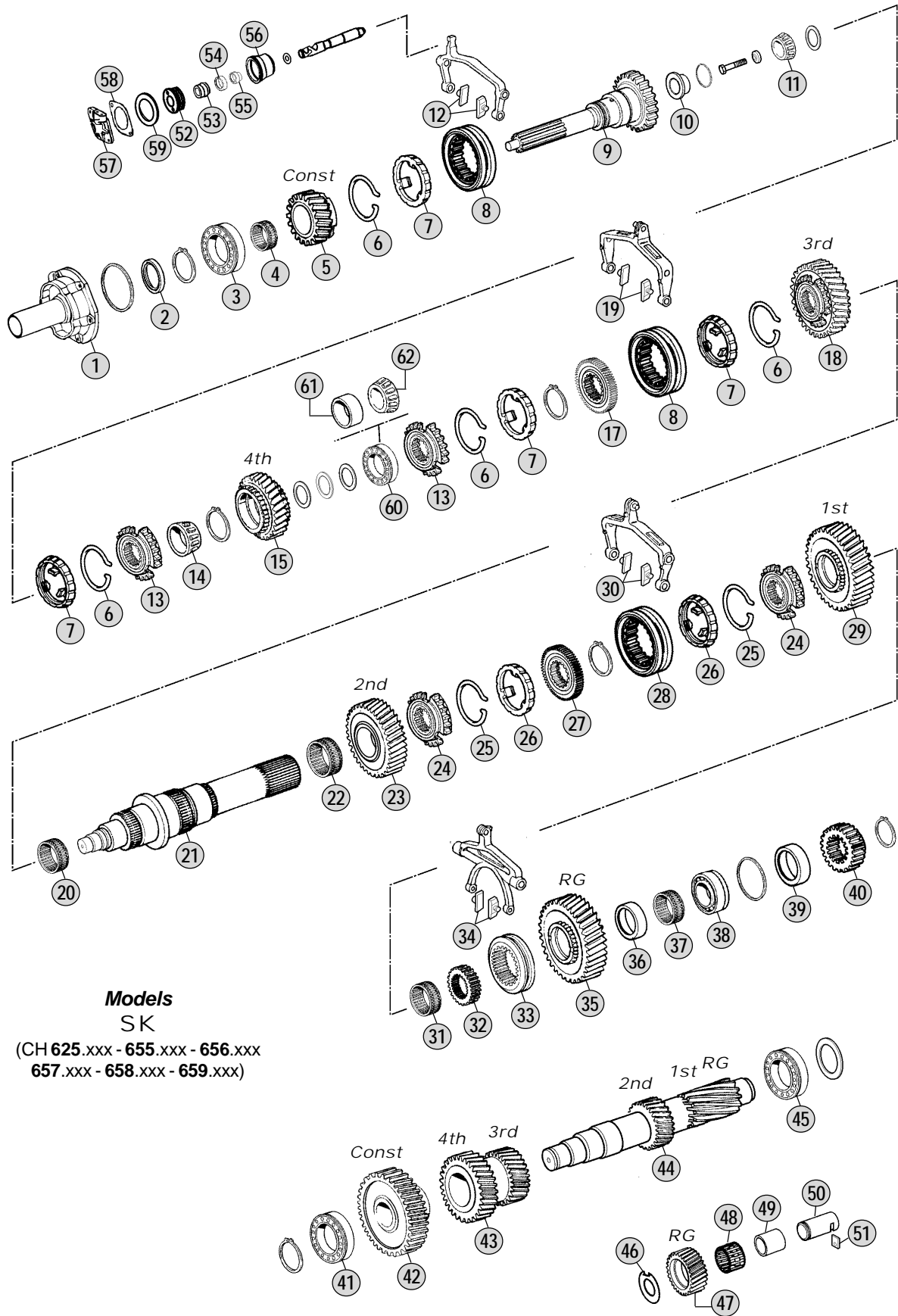
All original equipment manufacturers numbers, symbols and description used in this catalogue are for reference only, and it is not implied that any part listed is the product of these manufactures.
Tutti i nostri particolari non sono originali ma con essi intercambiabili. I riferimenti originali, le figure, i modelli sono esposti a semplice titolo indicativo. La nostra produzione riporta il nostro marchio.

Models

GO110 - 6 712.635-637

Adattabile a : **MERCEDES**
Suitable To :

Modelli Cambio/ Gearbox Models
G125 - G135 (16 Speeds)



Models
SK
(CH 625.xxx - 655.xxx - 656.xxx
657.xxx - 658.xxx - 659.xxx)

Models

G125-16 / 14,0 - 1,00	714.720(EPS)-721-724-730(EPS)-731-732-733
G135-16 / 11,9 - 0,88	714.722(EPS)-723



All original equipment manufacturers' numbers, symbols, models and description used in this catalogue are for reference only, and it is not implied that any part listed is the product of these manufactures. Tutti i nostri particolari non sono originali ma con essi intercambiabili. I riferimenti originali, le figure, i modelli sono esposti a semplice titolo indicativo. La nostra produzione riporta il nostro marchio.

Fig.	CEI no.	Rif. MB	Description	Q.ty	Note	G125-16/14,0-1,0	G135-16/11,9-0,88			
1	135.130	389 261 4418	Front Cover	1	714.720/1-730/1-732/3	●				
1	135.131	389 261 3318	Front Cover	1	714.724	●				
1	135.131	389 261 3318	Front Cover	1			●			
2	139.548	015 997 0347	Seal Ring Th.8(64x45) mm	1		●				
2	139.549	024 997 3047	Seal Ring 52x68x8 mm	1			●			
3	130.549	009 981 6205	Bearing 62x72x29,7	1		●	●			
4	137.173	013 981 6410	Needle Cage 82x90x35	1	(A)	●	●			
4	137.174	016 981 0210	Needle Cage 82x90x30	1	(B)	●	●			
5	145.593	389 262 1210	Constant Gear 22 T	1		●				
5	145.594	389 262 1410	Constant Gear 26 T	1			●			
6	111.204	387 262 1093	Elastic Ring	4		●	●			
7	119.112	389 262 0637	Synchronizer Ring	4		●	●			
7	119.226	389 262 3137	Synchronizer Ring	4	LONG LIFE	●	●			
8	154.214	389 262 3023	Sliding Sleeve	2		●	●			
8	154.407	M389 262 3023	Sliding Sleeve	2	LONG LIFE	●	●			
9	102.265	389 262 1501	Input Shaft	1	(A) 714.720/1-730/1-732/3	●				
9	102.267	389 262 2001	Input Shaft	1	(A) 714.724	●				
9	102.267	389 262 2001	Input Shaft	1	(A)		●			
9	102.266	389 262 3901	Input Shaft	1	(B) 714.720/1-730/1-732/3	●				
9	102.268	389 262 4201	Input Shaft	1	(B) 714.724	●				
9	102.268	389 262 4201	Input Shaft	1	(B)		●			
10	139.550	018 997 8447	Ring	1		●	●			
11	130.544	017 981 3205	Bearing 32x31	1		●	●			
12	141.162	389 265 2449	Slide Fork	2	BRASS	●	●			
12	141.219	M389 265 2449	Slide Fork	2	IRON	●	●			
13	109.131	389 262 5634	Synchronizer Cone	2		●	●			
14	130.545	010 981 2405	Bearing 45x90x25,7	1		●	●			
15	145.598	389 262 5410	Gear 4th Speed 24 T	1		●	●			
17	157.214	389 262 0635	Synchronizer Hub	1		●	●			
18	145.599	389 262 0713	Gear 3rd Speed 28 T	1		●	●			
19	141.161	389 265 2349	Slide Fork	2	BRASS	●	●			
19	141.220	M389 265 2349	Slide Fork	2	IRON	●	●			
20	137.176	014 981 3910	Needle Cage 85x93x43	1		●	●			
21	103.145	389 262 1605	Main Shaft	1	(A)	●	●			
21	103.146	389 262 2005	Main Shaft	1	(B)	●	●			
22	137.177	018 981 6610	Needle Cage K85x93x53ZWD	1		●	●			
23	145.596	389 262 1112	Gear 2nd Speed 32 T	1		●	●			
24	109.187	945 262 0434	Synchronizer Cone	2		●	●			
25	111.205	387 262 0893	Elastic Ring	2		●	●			
26	119.161	389 262 0737	Synchronizer Ring	2		●	●			
26	119.225	389 262 3237	Synchronizer Ring	2	LONG LIFE	●	●			
27	157.213	389 262 0035	Synchronizer Hub	1		●	●			
28	154.216	387 262 0623	Sliding Sleeve	1	(1)	●	●			
28	154.431	M387 262 0623	Sliding Sleeve	1	(1) LONG LIFE	●	●			
28	154.213	389 262 2923	Sliding Sleeve	1	(2)	●	●			

Notes

- (A) Up to gearbox 300439 (B) From gearbox 300440
 (C) Up to gearbox 176366 - See GP section (table 0165) for the coupling
 (D) From gearbox 176367 - See GP section (table 0165) for the coupling
 (E) Up to 06/96 (F) From 07/96
 (1) Up to gearbox 058288 (2) From gearbox 058289

Date

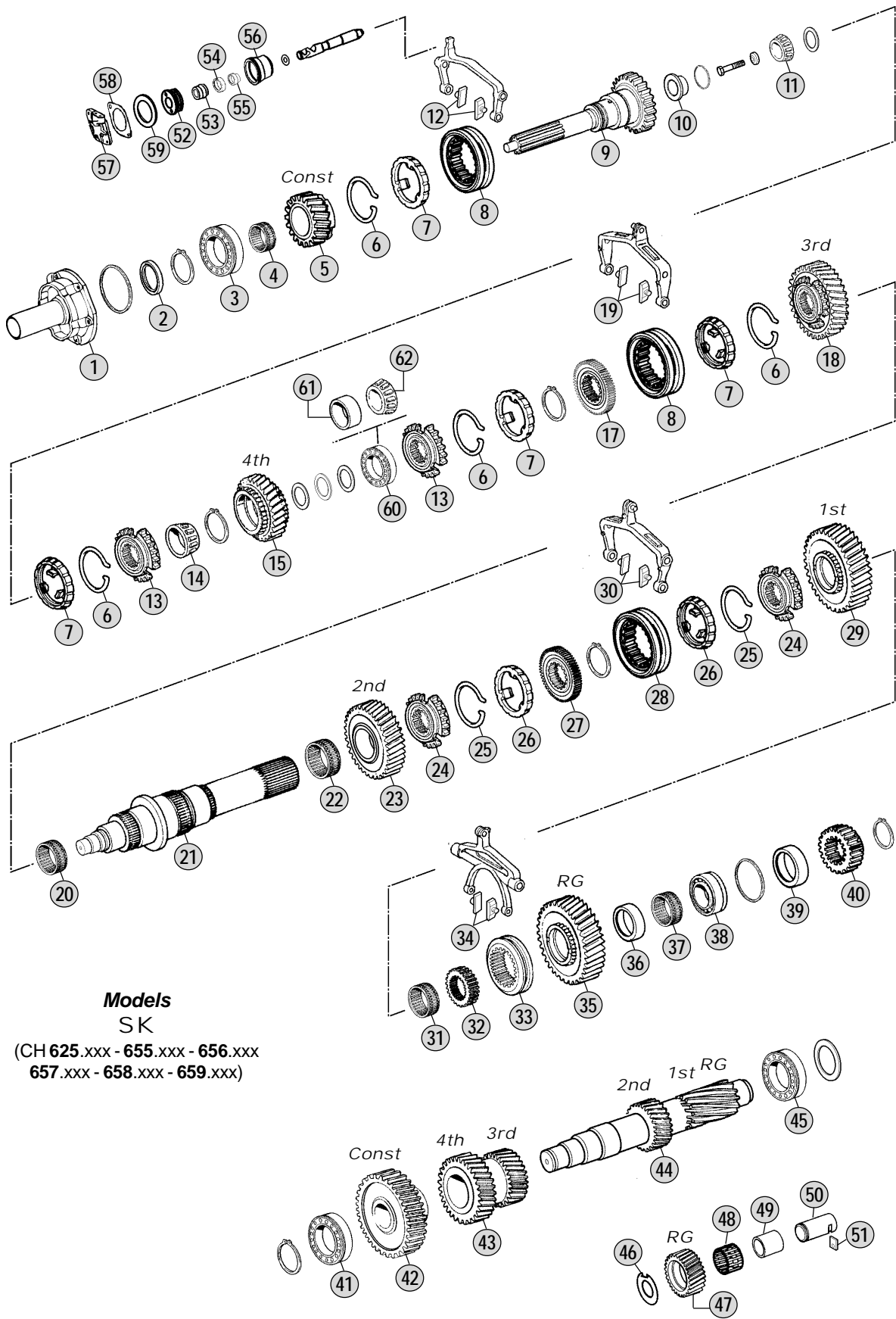
04 / 2011

Table

0160

All original equipment manufacturers numbers, symbols, pictures, models and description used in this catalogue are for reference only, and it is not implied that any part listed is the product of these manufactures.
 Tutti i nostri particolari non sono originali ma con essi intercambiabili. I riferimenti originali, le figure, i modelli sono esposti a semplice titolo indicativo. La nostra produzione riporta il nostro marchio.

Adattabile a : **MERCEDES**
Suitable To :



Models
SK
(CH 625.xxx - 655.xxx - 656.xxx
657.xxx - 658.xxx - 659.xxx)

Models

G125-16 / 14,0 - 1,00	714.720(EPS)-721-724-730(EPS)-731-732-733
G135-16 / 11,9 - 0,88	714.722(EPS)-723



All original equipment manufacturers' numbers, symbols, models and description used in this catalogue are for reference only, and it is not implied that any part listed is the product of these manufactures. Tutti i nostri particolari non sono originali ma con essi intercambiabili. I riferimenti originali, le figure, i modelli sono esposti a semplice titolo indicativo. La nostra produzione riporta il nostro marchio.

Fig.	CEI no.	Rif. MB	Description	Q.ty	Note	G125-16/14,0-1,0	G135-16/11,9-0,88			
28	154.405	M389 262 2923	Sliding Sleeve	1	(2)	LONG LIFE	●	●		
29	145.597	389 262 1411	Gear 1st Speed 38 T	1			●	●		
30	141.161	389 265 2349	Slide Fork	2		BRASS	●	●		
30	141.220	M389 265 2349	Slide Fork	2		IRON	●	●		
31	137.178	013 981 2510	Needle Cage	1	Up to Gearbox 073829		●	●		
31	137.179	014 981 4310	Needle Cage 75x83x45W	1	From Gearbox 073830		●	●		
32	157.603	389 262 0135	Synchronizer Hub	1			●	●		
33	154.223	389 262 1823	Sliding Sleeve	1	714.720-722-730		●	●		
33	154.224	389 262 1723	Sliding Sleeve	1	714.721/3/4-731/2/3		●	●		
34	141.160	945 265 0149	Slide Fork	2			●	●		
35	145.595	389 262 1633	Reverse Gear 34 T	1			●	●		
36	117.432	389 262 0150	Bush	1	(A)		●	●		
36	117.433	389 262 1250	Bush Th.33,00(78x62,6) mm	1	(B)		●	●		
37	137.180	013 981 1710	Needle Cage 78x86x33	1			●	●		
38	130.543	008 981 8005	Bearing 60x130x10,8	1			●	●		
39	269.370	389 262 6352	Spacer Th.14,6(74x60) mm	1			●	●		
40	157.558	389 262 0109	Sun Gear 25 T	1	(C)		●	●		
40	157.559	389 262 0309	Sun Gear 25 T	1	(D)		●	●		
41	130.542	010 981 5905	Bearing 45x100x27,5	1			●	●		
42	146.500	389 263 0510	Constant Gear 27 T	1			●			
42	146.501	389 263 0610	Constant Gear 23 T	1				●		
43	143.105	389 263 1513	Double Gear 4th/3rd Sp.-25/21 T	1			●	●		
44	105.127	389 263 0102	Countershaft 17/14 T	1	Up to Gearbox 073829		●	●		
44	105.128	389 263 0702	Countershaft 17/14 T	1	From Gearbox 073830		●	●		
45	130.541	010 981 5205	Bearing 55x110x28,4	1			●	●		
46	269.278	389 263 0062	Spacer Th.1,00(136,8x130) mm	1	(E)		●	●		
47	147.278	389 263 0131	Reverse Gear 18 T	1	(E)		●	●		
47	147.154	389 263 1431	Reverse Gear 18 T	1	(F)		●	●		
48	137.175	013 981 2210	Needle Cage 42x50x40	1			●	●		
49	117.442	389 263 0150	Bush	1	(E)		●	●		
49	117.323	389 263 0950	Bush (42x42) mm	1	(F)		●	●		
50	107.172	389 263 0130	Reverse Shaft	1			●	●		
51	188.236	945 263 0041	Key	1			●	●		
52	189.680	945 267 0218	Piston	1			●	●		
53	139.813	006 997 6447	Oil Seal 41x48x11,5	1			●	●		
54	117.412	387 267 0650	Bush Th.8(34x22) mm	1			●	●		
55	139.834	000 267 0197	Oil Seal 22x32x8	1			●	●		
56	132.068	389 267 3319	Cylinder	1			●	●		
57	132.067	389 267 2819	Cylinder	1			●	●		
58	139.818	387 263 3352	Gasket Th.0,20 mm	1			●	●		
58	169.844	387 263 3452	Gasket Th.0,40 mm	1			●	●		
58	139.819	387 263 3552	Gasket Th.0,60 mm	1			●	●		
58	139.820	387 263 3752	Gasket Th.1,00 mm	1			●	●		
59	139.596	007 997 4248	O Ring 63x3	1			●	●		
60	130.546	011 981 7705	Bearing 55x90x24	1	Old Type		●	●		

Notes

- (A) Up to gearbox 300439
 (B) From gearbox 300440
 (C) Up to gearbox 176366 - See GP section (table 0165) for the coupling
 (D) From gearbox 176367 - See GP section (table 0165) for the coupling
 (E) Up to 06/96
 (F) From 07/96
 (1) Up to gearbox 058288
 (2) From gearbox 058289

Date

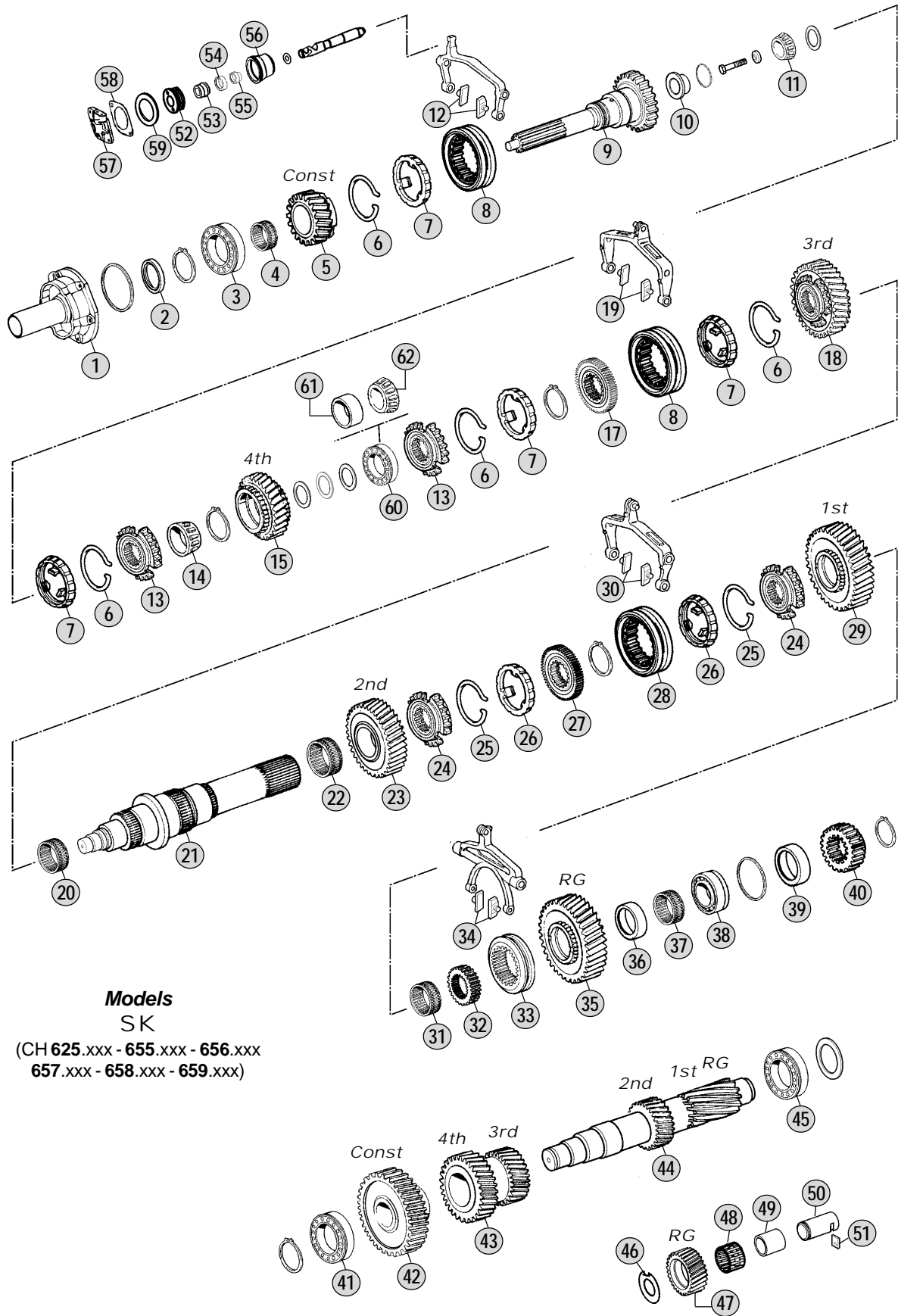
04 / 2011

Table

0160

Adattabile a : **MERCEDES**
Suitable To :

Modelli Cambio/ Gearbox Models
G125 - G135 (16 Speeds)



Models
SK
(CH 625.xxx - 655.xxx - 656.xxx
657.xxx - 658.xxx - 659.xxx)

Models

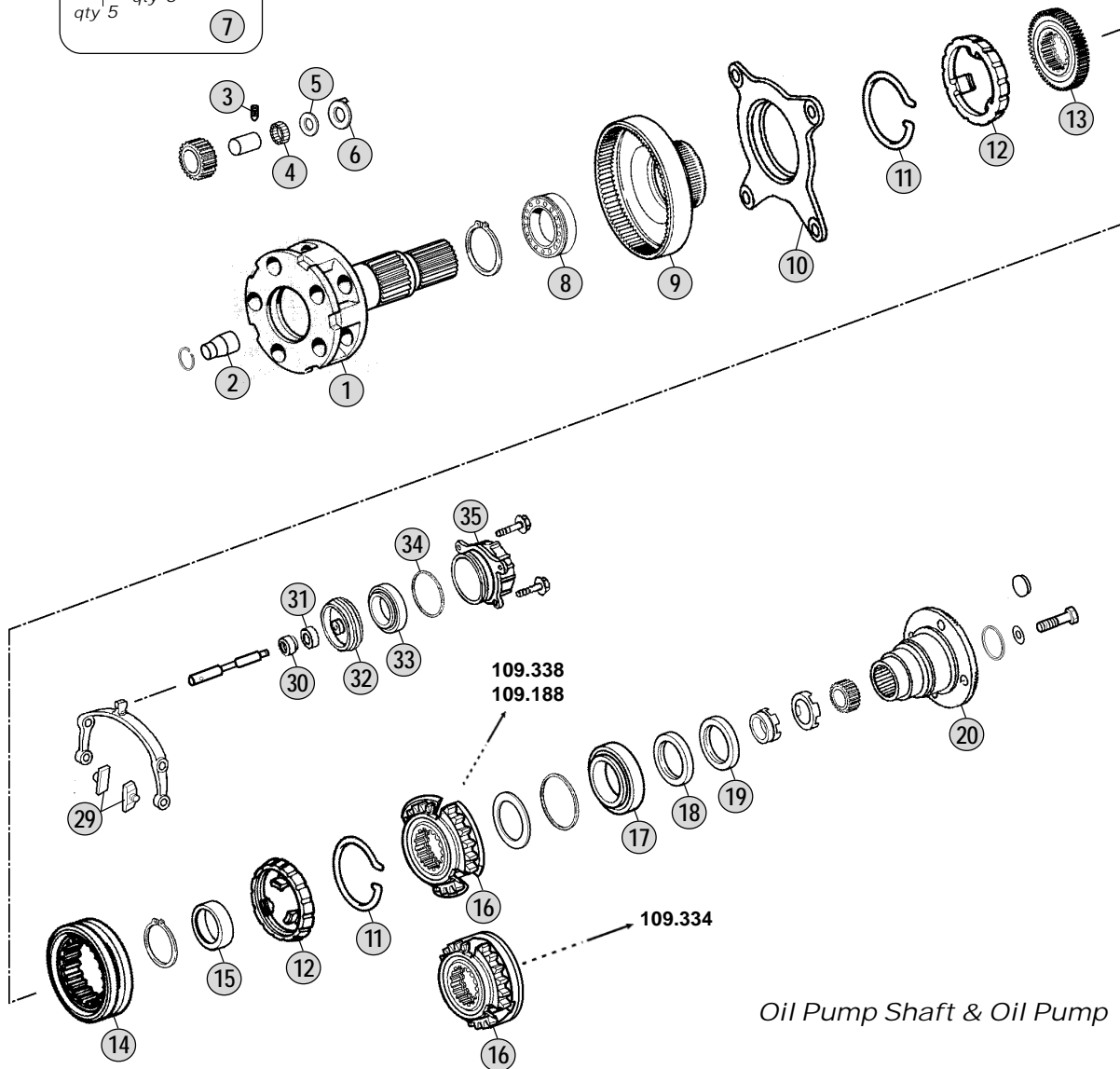
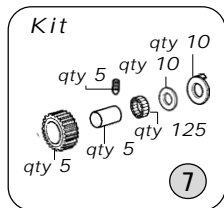
G125-16 / 14,0 - 1,00	714.720(EPS)-721-724-730(EPS)-731-732-733
G135-16 / 11,9 - 0,88	714.722(EPS)-723



All original equipment manufacturers' numbers, symbols, models and description used in this catalogue are for reference only, and it is not implied that any part listed is the product of these manufactures. Tutti i nostri particolari non sono originali ma con essi intercambiabili. I riferimenti originali, le figure, i modelli sono esposti a semplice titolo indicativo. La nostra produzione riporta il nostro marchio.

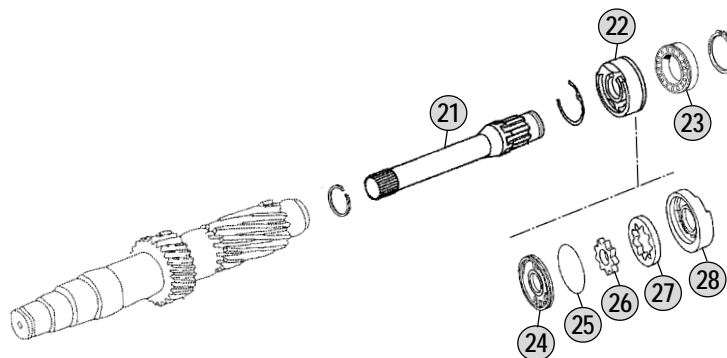
Adattabile a : **MERCEDES**
Suitable To :

Modelli Cambio/ Gearbox Models
G125 - G135 (16 Speeds)



Oil Pump Shaft & Oil Pump

Models
SK
(CH 625.xxx - 655.xxx - 656.xxx
657.xxx - 658.xxx - 659.xxx)



All original equipment manufacturers numbers, symbols and description used in this catalogue are for reference only, and it is not implied that any part listed is the product of these manufactures. Tutti i nostri particolari non sono originali ma con essi intercambiabili. I riferimenti originali, le figure, i modelli sono esposti a semplice titolo indicativo. La nostra produzione riporta il nostro marchio.

Models

G125-16 / 14,0 - 1,00	714.720(EPS)-721-724-730(EPS)-731-732-733
G135-16 / 11,9 - 0,88	714.722(EPS)-723



Fig.	CEI no.	Rif. MB	Description	Q.ty	Note	G125-16/174,0-1,0	G135-16/171,9-0,88			
1	190.440	389 260 0761	Planetary Carrier	1	(I)	Old Type	●	●		
1	190.334	389 260 7861	Planetary Carrier	1		New Type	●	●		
2	188.246	389 269 0334	Oil Tube	1		Old Type	●	●		
2	188.180	389 269 0134	Oil Tube	1		New Type	●	●		
3	187.609	000914 006109	Stud 6x14 mm	5			●	●		
4	171.055	001 981 3287	Needle	125			●	●		
5	169.801	389 262 0162	Spacer	10			●	●		
6	169.802	389 262 0262	Thrust Washer	10			●	●		
7	198.880	389 260 0197	Repair Kit	1	(C)		●	●		
7	198.881	389 260 0397	Repair Kit	1	(D)		●	●		
8	130.540	008 981 1325	Bearing 90x130x14	1			●	●		
9	123.227	389 262 0308	Crown Gear	1			●	●		
10	198.882	389 260 0936	Synchronizer Flange	1	(G)		●	●		
10	198.879	389 260 2036	Synchronizer Flange	1	(H)		●	●		
11	111.206	389 262 0293	Elastic Ring	2			●	●		
12	119.160	389 262 0537	Synchronizer Ring	2			●	●		
12	119.250	389 262 3337	Synchronizer Ring	2	LONG LIFE		●	●		
13	155.206	389 262 0535	Synchronizer Hub	1	(G)	Outer Teeth Z 72	●	●		
13	155.204	389 262 2035	Synchronizer Hub	1	(H)	Outer Teeth Z 73	●	●		
14	154.222	389 262 1523	Sliding Sleeve	1	(G)	Inner Teeth Z 72	●	●		
14	154.432	M389 262 1523	Sliding Sleeve	1	(G)	LONG LIFE Z 72	●	●		
14	154.217	945 262 6623	Sliding Sleeve	1	(H)	Inner Teeth Z 73	●	●		
14	154.433	M945 262 6623	Sliding Sleeve	1	(H)	LONG LIFE Z 73	●	●		
15	117.322	389 262 0251	Bush	1			●	●		
16	109.338	389 262 2334	Synchronizer Cone	1	(G)		●	●		
16	109.188	389 262 4034	Synchronizer Cone	1	(H)		●	●		
16	109.334	389 262 9134	Synchronizer Cone	1	(H)		●	●		
17	130.539	004 981 9325	Bearing 85x150x28	1			●	●		
18	139.551	013 997 7247	Oil Seal 95x115x13	1			●	●		
19	139.552	013 997 7347	Oil Seal 95x115x13	1			●	●		
20	197.079	389 262 0445	Output Flange D.180 mm	1			●	●		
21	101.123	389 269 1210	Oil Pump Shaft	1			●	●		
22	280.587	389 260 0690	Oil Pump	1	Old Type-Assembly		●	●		
23	130.538	004 981 9225	Bearing 45x75x16	1			●	●		
24	189.607	389 269 2601	Oil Pump Cover	1	New Type-Disassembled		●	●		
25	111.208	029 997 5748	O Ring	1	New Type-Disassembled		●	●		
26	189.606	389 269 1406	Oil Pump Gear	1	New Type-Disassembled		●	●		
27	189.605	389 269 0706	Oil Pump Hub	1	New Type-Disassembled		●	●		
28	189.604	947 269 1001	Oil Pump Housing	1	New Type-Disassembled		●	●		
29	141.162	389 265 2449	Slide Fork	2	BRASS		●	●		
29	141.219	M389 265 2449	Slide Fork	2	IRON		●	●		
30	139.834	000 267 0197	Oil Seal 22x32x8	1			●	●		
31	117.412	387 267 0650	Bush Th.8(34x22) mm	1			●	●		
32	132.066	389 267 1018	Cylinder	1			●	●		
33	139.817	024 997 8347	Oil Seal 77x90x17	1			●	●		

Notes

- (C) Up to gearbox 176366 - See Sun Gear (table 0160) for the coupling
 (D) From gearbox 176367 - See Sun Gear (table 0160) for the coupling
 (G) Up to gearbox 201817 (H) From gearbox 201818
 (I) Old Planetary carrier is replaced by : 1 pc 389 260 7861 (fig.1) +
 + 1 pc. 389 269 0134 (fig.2) + 1 pc.007993 040200 (retainer ring)

Date

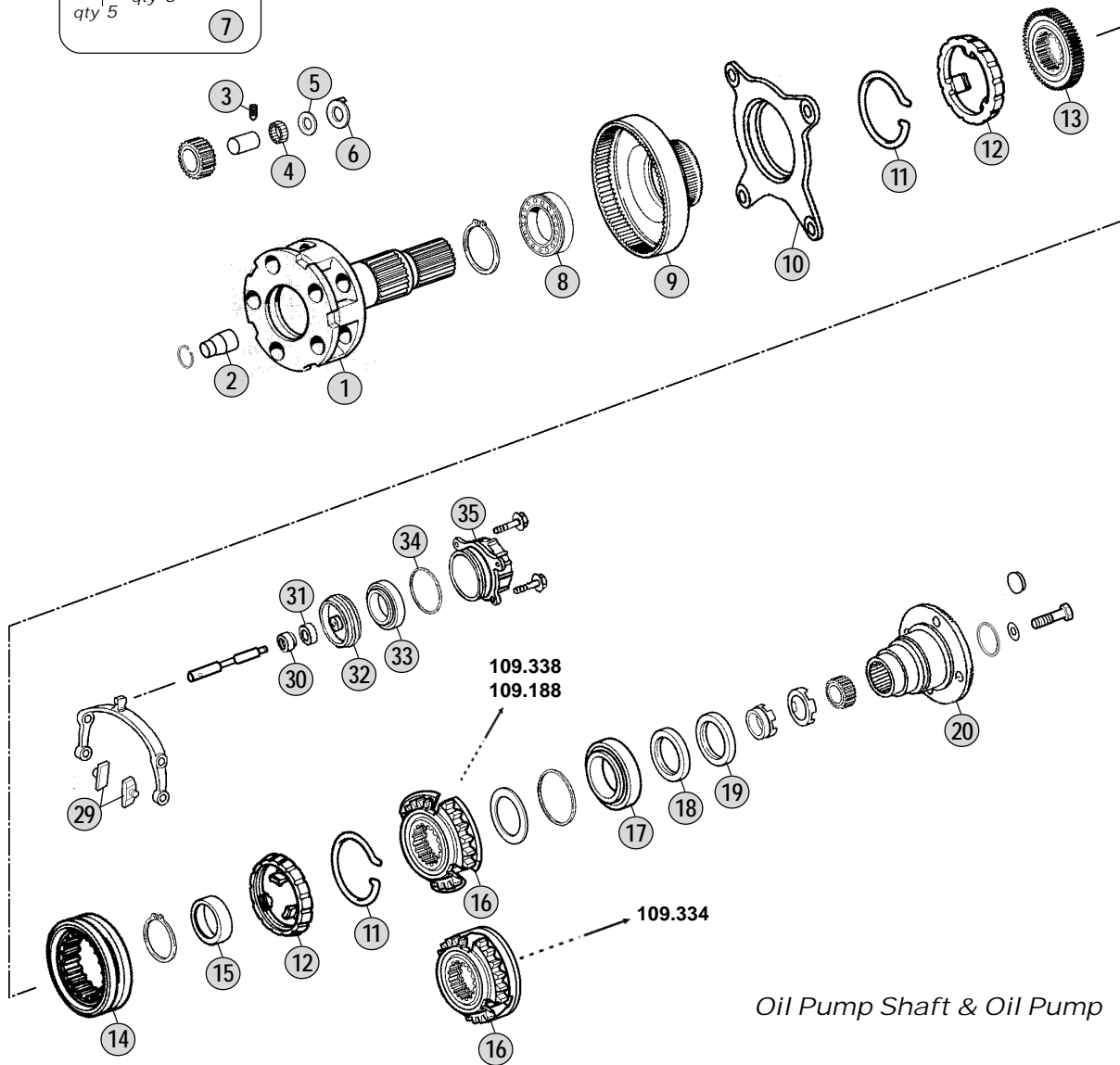
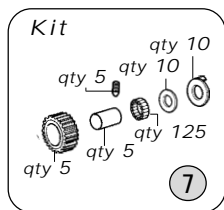
04 / 2011

Table

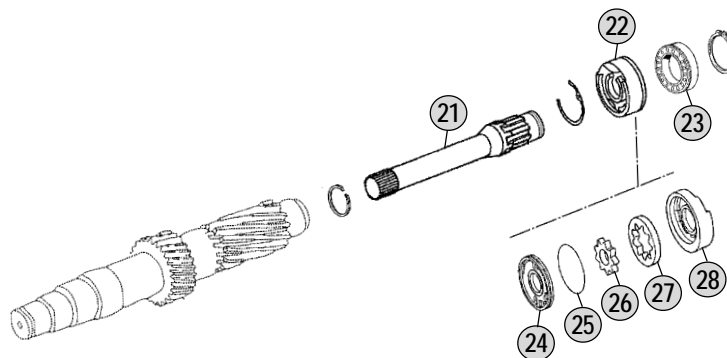
0165

Adattabile a : **MERCEDES**
Suitable To :

Modelli Cambio/ Gearbox Models
G125 - G135 (16 Speeds)



Models
SK
(CH 625.xxx - 655.xxx - 656.xxx
657.xxx - 658.xxx - 659.xxx)



Models

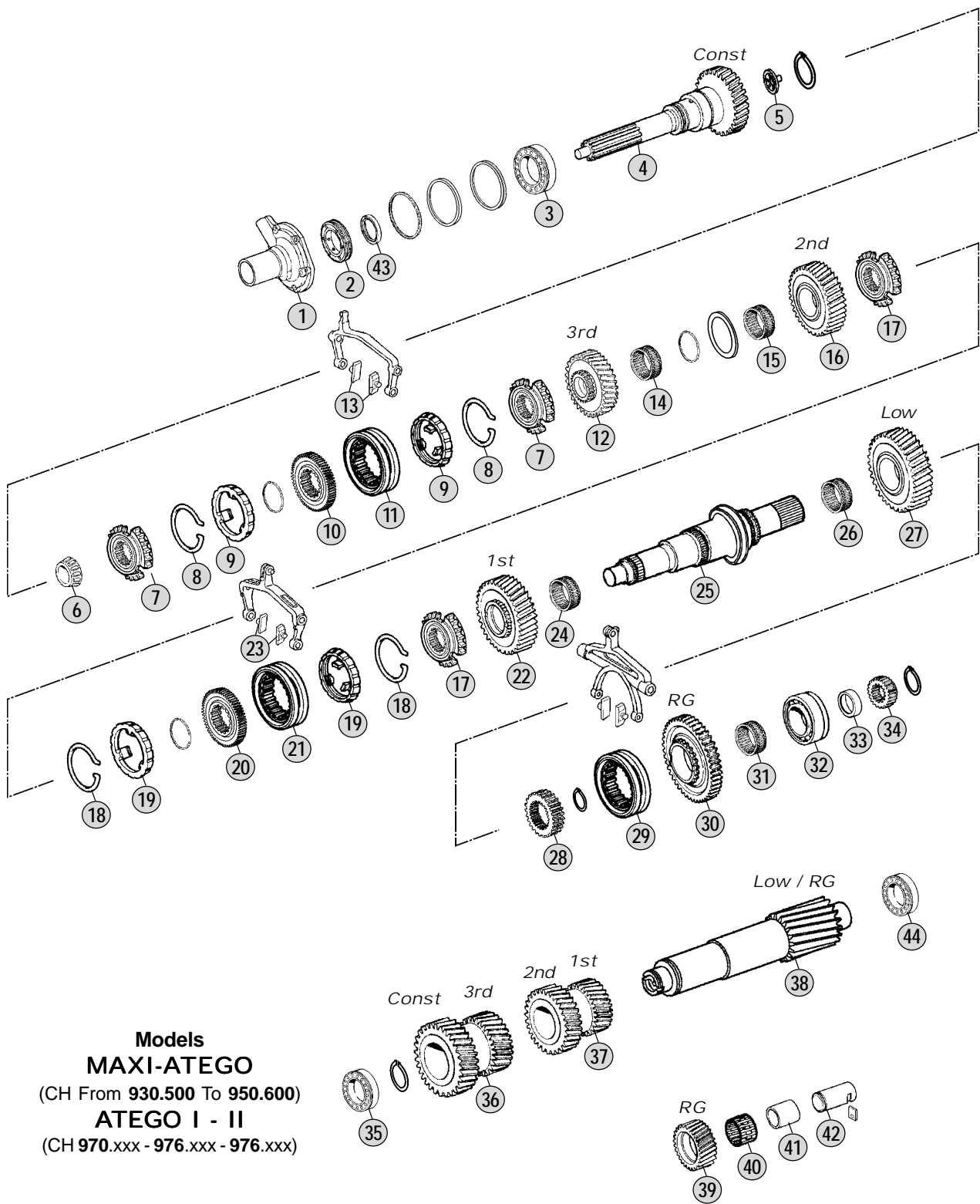
G125-16 / 14,0 - 1,00	714.720(EPS)-721-724-730(EPS)-731-732-733
G135-16 / 11,9 - 0,88	714.722(EPS)-723



All original equipment manufacturers' numbers, symbols and description used in this catalogue are for reference only, and it is not implied that any part listed is the product of these manufactures.
Tutti i nostri particolari non sono originali ma con essi intercambiabili. I riferimenti originali, le figure, i modelli sono esposti a semplice titolo indicativo. La nostra produzione riporta il nostro marchio.

Adattabile a : **MERCEDES**
 Suitable To :

Modelli Cambio/ Gearbox Models
G131 (9 Speeds)



Models
MAXI-ATEGO
 (CH From 930.500 To 950.600)
ATEGO I - II
 (CH 970.xxx - 976.xxx - 976.xxx)

All original equipment manufacturers numbers, symbols and description used in this catalogue are for reference only, and it is not implied that any part listed is the product of these manufactures.
 Tutti i nostri particolari non sono originali ma con essi intercambiabili. I riferimenti originali, le figure, i modelli sono esposti a semplice titolo indicativo. La nostra produzione riporta il nostro marchio.

Models

G131-9 / 14,0 - 1,00

714.570 - 576



Fig.	CEI no.	Rif. MB	Description	Q.ty	Note	G131-9/14,0-1,0				
1	135.197	947 261 0718	Front Cover	1		●				
1	135.198	947 261 0918	Front Cover	1		●				
2	269.371	947 261 0065	Ring	1		●				
3	130.853	016 981 1405	Bearing	1		●				
4	102.404	947 262 0902	Input Shaft 28 T	1		●				
4	102.445	947 262 1302	Input Shaft 28 T	1		●				
5	139.749	976 269 0034	Oil Collector	1		●				
6	130.856	016 981 1505	Bearing	1		●				
7	109.329	945 262 4034	Synchronizer Cone	2	(A)	●				
7	109.423	945 262 5734	Synchronizer Cone	2	(B)	●				
8	111.204	387 262 1093	Elastic Ring	2		●				
9	119.112	389 262 0637	Synchronizer Ring	2	(A)	●				
9	119.226	389 262 3137	Synchronizer Ring	2	(A) LONG LIFE	●				
9	119.271	947 260 0545	Synchronizer Ring	2	(B)	●				
9	119.300	CEI 119300	Synchronizer Ring	2	(B) LONG LIFE	●				
10	157.715	947 262 0435	Synchronizer Hub	1		●				
11	154.221	945 262 0323	Sliding Sleeve	1	(A)	●				
11	154.408	M945 262 0323	Sliding Sleeve	1	(A) LONG LIFE	●				
11	154.399	945 262 6823	Sliding Sleeve	1	(B)	●				
11	154.457	M945 262 6823	Sliding Sleeve	1	(B) LONG LIFE	●				
12	145.902	947 262 0613	Gear 3rd Speed 31 T	1		●				
13	141.165	947 265 0349	Slide Fork	2	BRASS	●				
13	141.221	M947 265 0349	Slide Fork	2	IRON	●				
14	137.356	019 981 6010	Needle Cage 60x68x54	1		●				
15	137.355	021 981 6510	Needle Cage	1		●				
16	145.945	947 262 0612	Gear 2nd Speed 36 T	1		●				
17	109.335	945 262 0334	Synchronizer Cone	2	(A)	●				
17	109.742	945 262 3634	Synchronizer Cone	2	(B)	●				
18	111.204	387 262 1093	Elastic Ring	2		●				
19	119.112	389 262 0637	Synchronizer Ring	2	(A)	●				
19	119.226	389 262 3137	Synchronizer Ring	2	(A) LONG LIFE	●				
19	119.271	947 260 0545	Synchronizer Ring	2	(B)	●				
19	119.300	CEI 119300	Synchronizer Ring	2	(B) LONG LIFE	●				
20	157.716	947 262 0135	Synchronizer Hub	1		●				
21	154.221	945 262 0323	Sliding Sleeve	1	(A)	●				
21	154.408	M945 262 0323	Sliding Sleeve	1	(A) LONG LIFE	●				
21	154.399	945 262 6823	Sliding Sleeve	1	(B)	●				
21	154.457	M945 262 6823	Sliding Sleeve	1	(B) LONG LIFE	●				
22	145.946	947 262 1911	Gear 1st Speed 40 T	1		●				
23	141.165	947 265 0349	Slide Fork	2	BRASS	●				
23	141.221	M947 265 0349	Slide Fork	2	IRON	●				
24	137.182	008 981 8310	Needle Cage 75x83x55W	1		●				
25	103.197	947 262 0305	Main Shaft	1		●				
26	137.200	021 981 5710	Needle Cage 75x83x33W	1		●				
27	145.947	947 262 1811	Gear Low Speed 41 T	1		●				

Notes

- (A) Up to gearbox 018251
(B) From gearbox 018252

Date

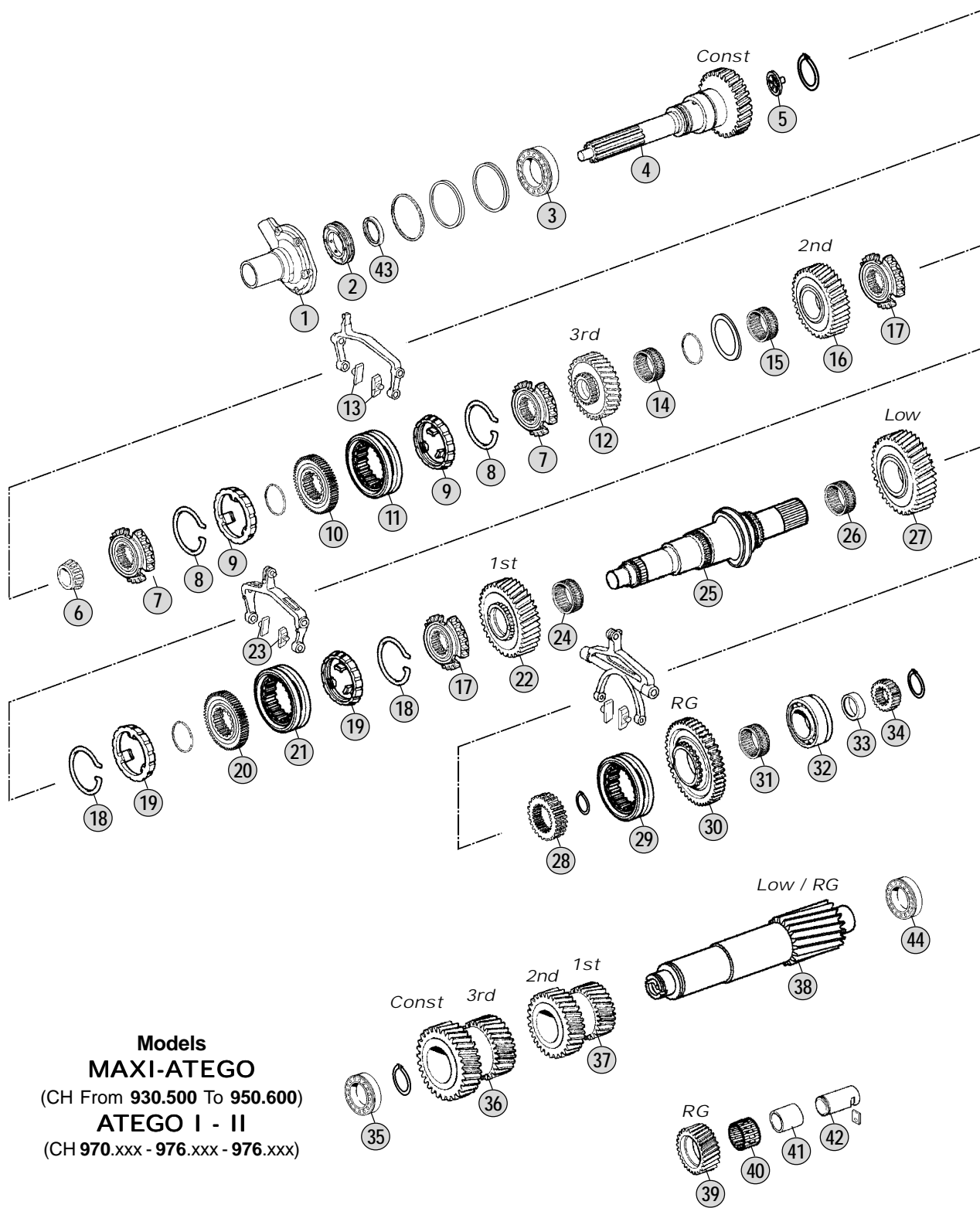
04 / 2011

Table

0170

Adattabile a : **MERCEDES**
 Suitable To :

Modelli Cambio/ Gearbox Models
G131 (9 Speeds)



Models
MAXI-ATEGO
 (CH From 930.500 To 950.600)
ATEGO I - II
 (CH 970.xxx - 976.xxx - 976.xxx)

All original equipment manufacturers numbers, symbols and description used in this catalogue are for reference only, and it is not implied that any part listed is the product of these manufactures. Tutti i nostri particolari non sono originali ma con essi intercambiabili. I riferimenti originali, le figure, i modelli sono esposti a semplice titolo indicativo. La nostra produzione riporta il nostro marchio.

Models

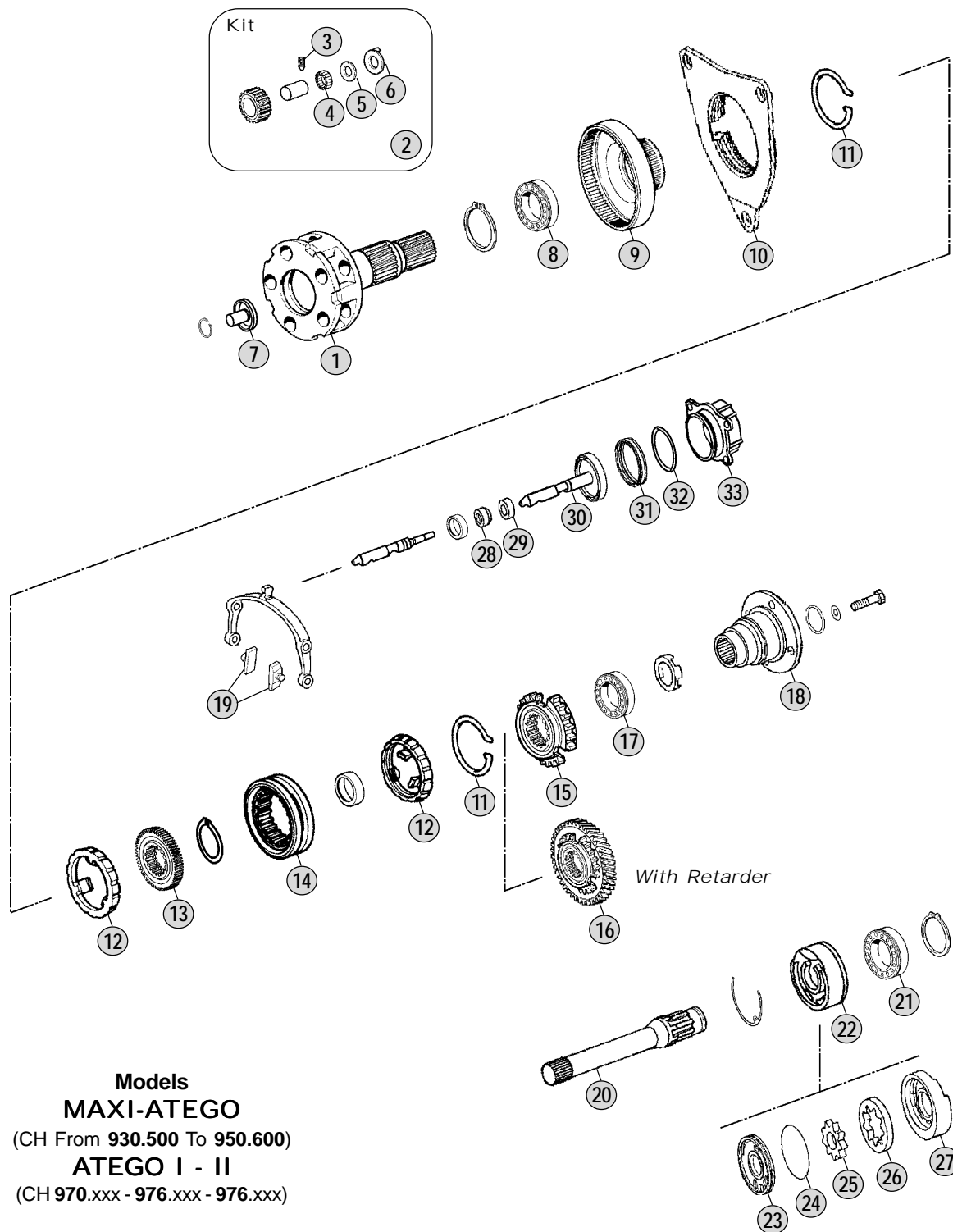
G131-9 / 14,0 - 1,00

714.570 - 576



Adattabile a : **MERCEDES**
 Suitable To :

Modelli Cambio/ Gearbox Models
G131 (9 Speeds)



Models
MAXI-ATEGO
 (CH From 930.500 To 950.600)
ATEGO I - II
 (CH 970.xxx - 976.xxx - 976.xxx)

All original equipment manufacturers numbers, symbols and description used in this catalogue are for reference only, and it is not implied that any part listed is the product of these manufactures.
 Tutti i nostri particolari non sono originali ma con essi intercambiabili. I riferimenti originali, le figure, i modelli sono esposti a semplice titolo indicativo. La nostra produzione riporta il nostro marchio.

Models

G131-9 / 14,0-1,00 714.570 - 576



Fig.	CEI no.	Rif. MB	Description	Q.ty	Note	G131-9/14,0-1,0				
1	190.421	947 260 1961	Planetary Carrier	1		●				
2	298.095	947 260 0097	Kit Reduction	1		●				
3	187.609	000914 006109	Stud 6x14 mm	4		●				
4	171.068	000 981 6186	Needle 5x32,7	100		●				
5	169.801	389 262 0162	Spacer	8		●				
6	269.199	947 262 0362	Washer	8		●				
7	188.181	945 269 0834	Oil Tube	1		●				
8	130.878	008 981 9525	Bearing	1		●				
9	123.283	947 262 1208	Crown Gear	1		●				
10	298.201	947 260 0536	Synchronizer Flange	1	(A)	●				
10	298.185	947 260 0736	Synchronizer Flange	1	(B)	●				
11	111.206	389 262 0293	Elastic Ring	2		●				
12	119.160	389 262 0537	Synchronizer Ring	2	(A)	●				
12	119.250	389 262 3337	Synchronizer Ring	2	(A) LONG LIFE	●				
12	119.224	947 260 0945	Synchronizer Ring	2	(B)	●				
12	119.298	CEI 119298	Synchronizer Ring	2	(B) LONG LIFE	●				
13	155.204	389 262 2035	Synchronizer Hub	1		●				
14	154.217	945 262 6623	Sliding Sleeve	1	(A)	●				
14	154.433	M945 262 6623	Sliding Sleeve	1	(A) LONG LIFE	●				
14	154.378	945 262 6923	Sliding Sleeve	1	(B)	●				
14	154.458	M945 262 6923	Sliding Sleeve	1	(B) LONG LIFE	●				
15	109.825	947 262 0134	Synchronizer Cone	1	(A)	●				
15	109.762	947 262 0334	Synchronizer Cone	1	(B)	●				
16	196.441	947 264 0020	Synchronizer Cone (With Retarder)	1	(B) With Retarder	●				
17	130.879	009 981 0325	Ball Bearing	1		●				
18	197.166	947 262 0345	Output Flange D.150mm	1		●				
18	197.204	947 262 0445	Output Flange D.180mm	1		●				
19	141.162	389 265 2449	Slide Fork	2	(A) BRASS	●				
19	141.219	M389 265 2449	Slide Fork	2	(B) IRON	●				
19	141.165	947 265 0349	Slide Fork	2	(B) BRASS	●				
19	141.221	M947 265 0349	Slide Fork	2	(B) IRON	●				
20	101.168	947 269 1010	Oil Pump Shaft	1		●				
20	101.169	947 269 1110	Oil Pump Shaft	1		●				
21	130.859	008 981 5425	Bearing	1		●				
22	280.587	389 260 0690	Oil Pump	1	Old Type	●				
23	189.607	389 269 2601	Oil Pump Cover	1	New Type	●				
24	111.208	029 997 5748	O Ring	1	New Type	●				
25	189.606	389 269 1406	Oil Pump Gear	1	New Type	●				
26	189.605	389 269 0706	Oil Pump Hub	1	New Type	●				
27	189.604	947 269 1001	Oil Pump Housing	1	New Type	●				
28	139.834	000 267 0197	Oil Seal 22x32x8	1		●				
29	117.412	387 267 0650	Bush Th.8(34x22) mm	1		●				
30	132.062	930 260 2789	Cylinder	1		●				
30	132.063	930 260 2889	Cylinder	1		●				
31	139.817	024 997 8347	Oil Seal 77x90x17	1		●				

Notes

- (A) Up to gearbox 018251
 (B) From gearbox 018252

Date

04/ 2011

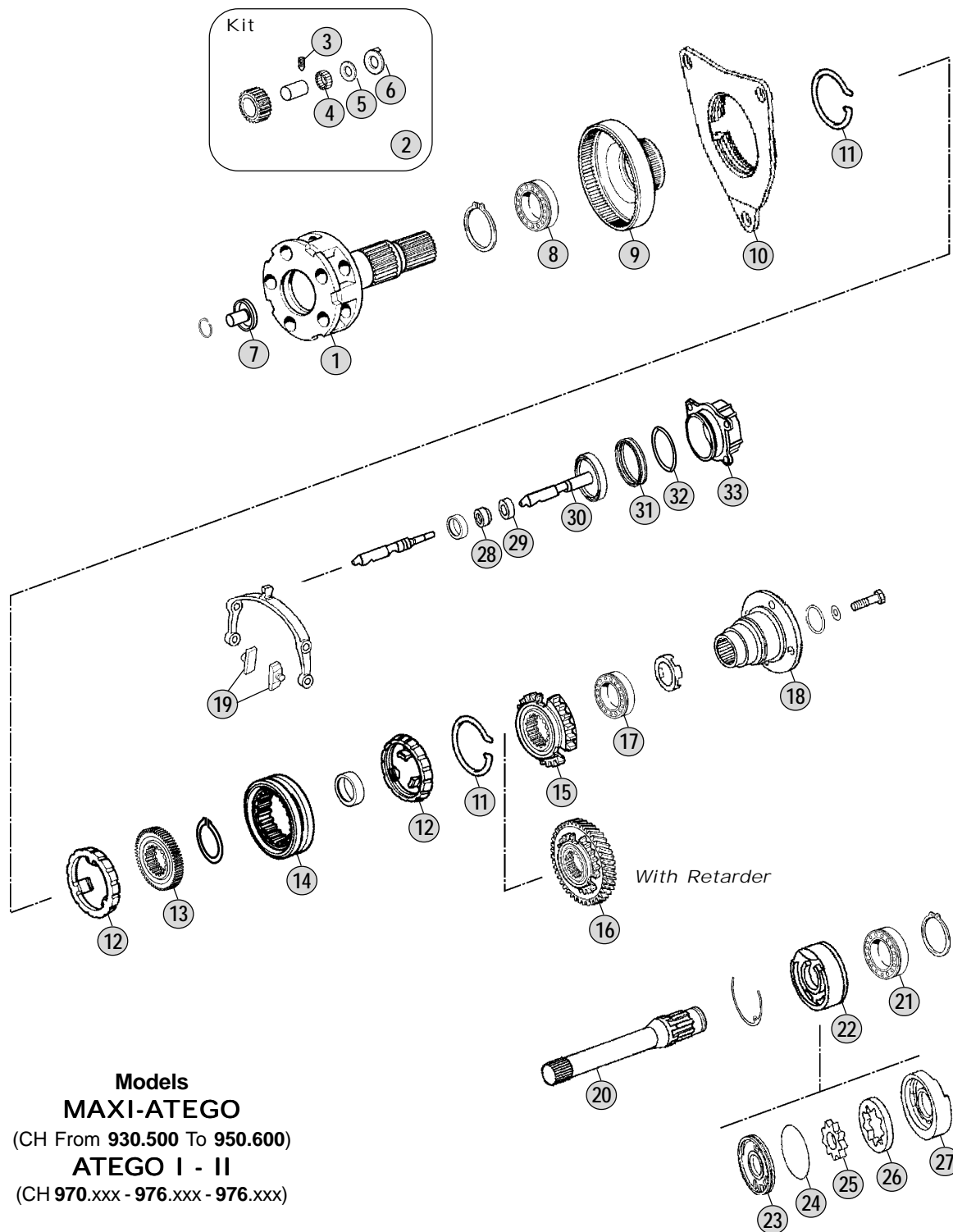
Table

0175

All original equipment manufacturers numbers, symbols, pictures, models and description used in this catalogue are for reference only, and it is not implied that any part listed is the product of these manufactures.
 Tutti i nostri particolari non sono originali ma con essi intercambiabili. I riferimenti originali, le figure, i modelli sono esposti a semplice titolo indicativo. La nostra produzione riporta il nostro marchio.

Adattabile a : **MERCEDES**
 Suitable To :

Modelli Cambio/ Gearbox Models
G131 (9 Speeds)



Models
MAXI-ATEGO
 (CH From 930.500 To 950.600)
ATEGO I - II
 (CH 970.xxx - 976.xxx - 976.xxx)

All original equipment manufacturers numbers, symbols and description used in this catalogue are for reference only, and it is not implied that any part listed is the product of these manufactures.
 Tutti i nostri particolari non sono originali ma con essi intercambiabili. I riferimenti originali, le figure, i modelli sono esposti a semplice titolo indicativo. La nostra produzione riporta il nostro marchio.

Models

G131-9 / 14,0-1,00 **714.570 - 576**



Fig.	CEI no.	Rif. MB	Description	Q.ty	Note	G131-9/14,0-1,0				
32	139.597	020 997 8948	O Ring 3,0x89,5	1		●				
33	132.069	945 267 1319	Cylinder	1		●				
33	132.077	001 260 4963	Cylinder	1		●				

9 Speeds
G131

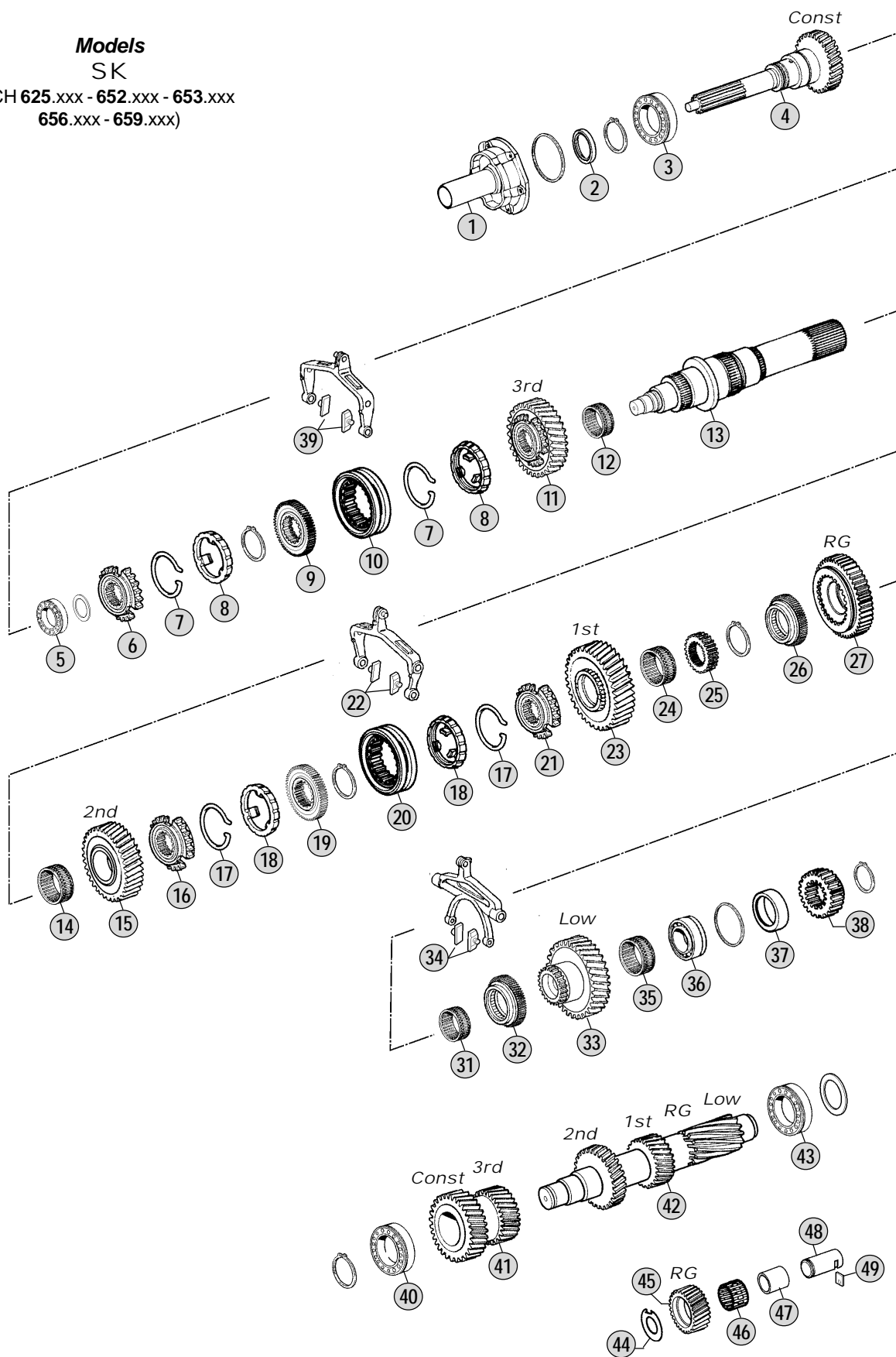
All original equipment manufacturers' numbers, symbols, pictures, models and description used in this catalogue are for reference only, and it is not implied that any part listed is the product of these manufactures. Tutti i nostri particolari non sono originali ma con essi intercambiabili. I riferimenti originali, le figure, i modelli sono esposti a semplice titolo indicativo. La nostra produzione riporta il nostro marchio.



Adattabile a : **MERCEDES**
 Suitable To :

Modelli Cambio/ Gearbox Models
G155 (9 Speeds)

Models
SK
 (CH 625.xxx - 652.xxx - 653.xxx
 656.xxx - 659.xxx)



All original equipment manufacturers' numbers, symbols, pictures, models and description used in this catalogue are for reference only, and it is not implied that any part listed is the product of these manufactures. Tutti i nostri particolari non sono originali ma con essi intercambiabili. I riferimenti originali, le figure, i modelli sono esposti a semplice titolo indicativo. La nostra produzione riporta il nostro marchio.

Models

G155 - 9 / 15,9 - 1,00

714.741-742-744-745-750-753-754-755-756-757-758-759



Fig.	CEI no.	Rif. MB	Description	Q.ty	Note	G155.9/15.9-1.0				
1	135.131	389 261 3318	Front Cover	1		●				
2	139.549	024 997 3047	Seal Ring 52x68x8 mm	1		●				
3	130.550	011 981 1305	Bearing 75x140x34,3	1		●				
4	102.269	389 262 3502	Input Shaft 24 T	1		●				
5	130.551	008 981 2805	Bearing 40x90,9x32	1	Oem	●				
5	530.551	008 981 2805	Bearing 40x90,9x32	1	A.Market	●				
6	109.131	389 262 5634	Synchronizer Cone	1		●				
7	111.204	387 262 1093	Elastic Ring	2		●				
8	119.112	389 262 0637	Synchronizer Ring	2		●				
8	119.226	389 262 3137	Synchronizer Ring	2	LONG LIFE	●				
9	157.214	389 262 0635	Synchronizer Hub	1		●				
10	154.214	389 262 3023	Sliding Sleeve	1		●				
10	154.407	M389 262 3023	Sliding Sleeve	1	LONG LIFE	●				
11	145.603	389 262 1013	Gear 3rd Speed 27 T	1		●				
12	137.184	009 981 1410	Needle Cage 75x83x48	1		●				
13	103.147	389 262 1305	Main Shaft	1		●				
14	137.177	018 981 6610	Needle Cage K85x93x53ZWD	1		●				
15	145.602	389 262 1412	Gear 2nd Speed 34 T	1		●				
16	109.339	389 262 0534	Synchronizer Cone	1		●				
17	111.205	387 262 0893	Elastic Ring	2		●				
18	119.161	389 262 0737	Synchronizer Ring	2		●				
18	119.225	389 262 3237	Synchronizer Ring	1	LONG LIFE	●				
19	157.213	389 262 0035	Synchronizer Hub	1		●				
20	154.213	389 262 2923	Sliding Sleeve	1		●				
20	154.405	M389 262 2923	Sliding Sleeve	1	LONG LIFE	●				
21	109.187	945 262 0434	Synchronizer Cone	1		●				
22	141.161	389 265 2349	Slide Fork	2	BRASS	●				
22	141.220	M389 265 2349	Slide Fork	2	IRON	●				
23	145.601	389 262 1711	Gear 1st Speed 41 T	1		●				
24	137.182	008 981 8310	Needle Cage 75x83x55W	1		●				
25	157.601	389 262 0435	Synchronizer Hub	1		●				
26	154.225	389 262 0223	Sliding Sleeve	1		●				
27	147.156	389 262 0533	Reverse Gear 36 T	1		●				
31	137.183	013 981 5310	Needle Cage 88x100x42	1		●				
32	157.602	389 262 0040	Synchronizer Hub	1		●				
33	145.605	389 262 0211	Gear Low 39 T	1		●				
34	141.160	945 265 0149	Slide Fork	2		●				
35	137.185	013 981 6510	Needle Cage 60x72x70W	1		●				
36	130.552	014 981 6105	Bearing 60x130x30	1		●				
37	117.326	389 262 0152	Spacer Th.20,3(74x60) mm	1	(A)	●				
37	117.325	389 262 3754	Spacer Th.18(74x60) mm	1	(B)	●				
38	157.600	389 262 0409	Sun Gear 25 T	1	(A)	●				
38	157.212	389 262 0209	Sun Gear 25 T	1	(B)	●				
39	141.161	389 265 2349	Slide Fork	2	BRASS	●				
39	141.220	M389 265 2349	Slide Fork	2	IRON	●				

Notes

- (A) Up to gearbox 182425 - See GP section (table 0185) for the coupling
 (B) From gearbox 182426 - See GP section (table 0185) for the coupling
 (C) Up to 06/96
 (D) From 07/96

Date

04 / 2011

Table

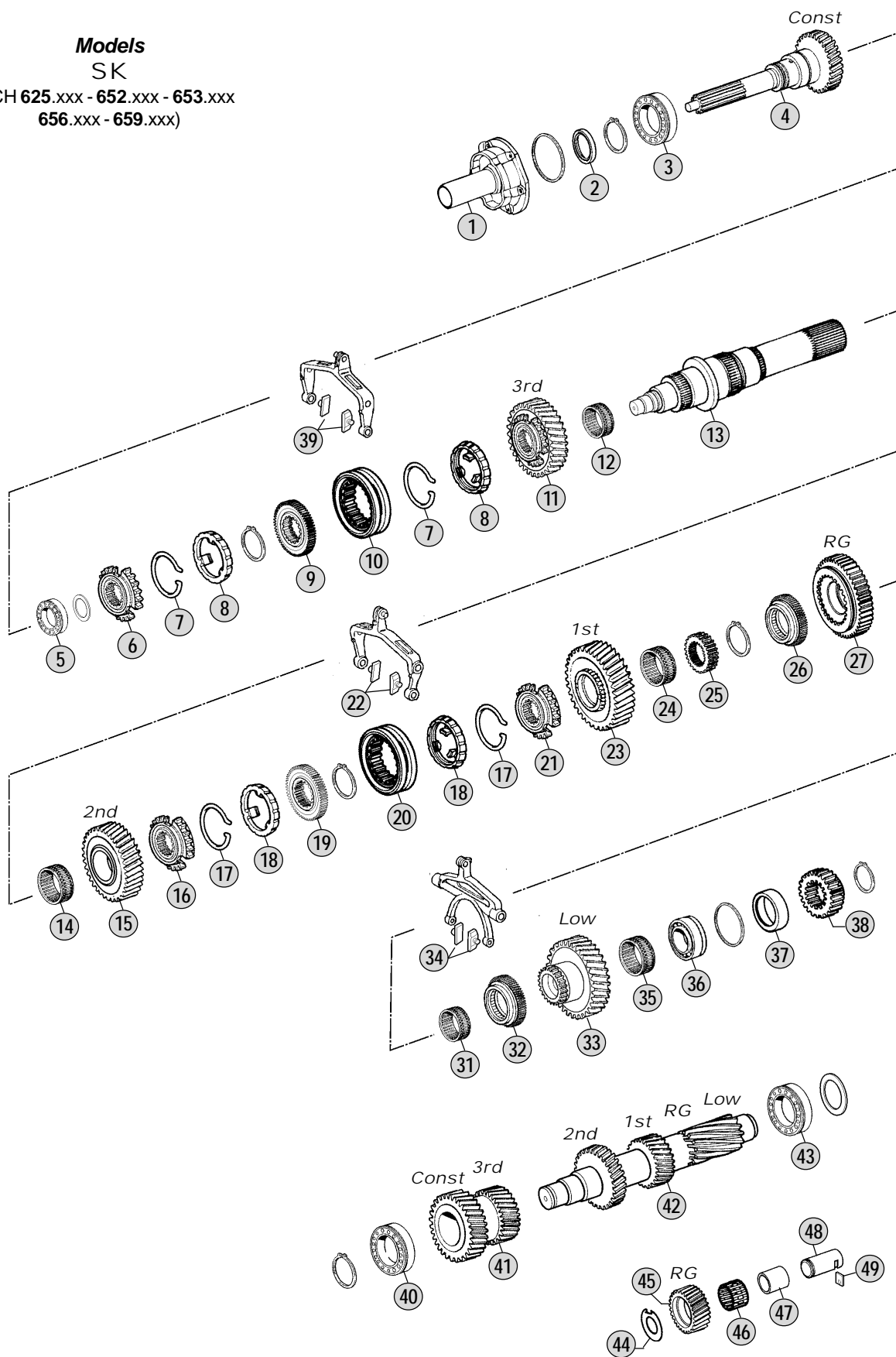
0180

All original equipment manufacturers numbers, symbols, pictures, models and description used in this catalogue are for reference only, and it is not implied that any part listed is the product of these manufactures.
 Tutti i nostri particolari non sono originali ma con essi intercambiabili. I riferimenti originali, le figure, i modelli sono esposti a semplice titolo indicativo. La nostra produzione riporta il nostro marchio.

Adattabile a : **MERCEDES**
 Suitable To :

Modelli Cambio/ Gearbox Models
G155 (9 Speeds)

Models
SK
 (CH 625.xxx - 652.xxx - 653.xxx
 656.xxx - 659.xxx)



All original equipment manufacturers' numbers, symbols, and description used in this catalogue are for reference only, and it is not implied that any part listed is the product of these manufacturers. Tutti i nostri particolari non sono originali ma con essi intercambiabili. I riferimenti originali, le figure, i modelli sono esposti a semplice titolo indicativo. La nostra produzione riporta il nostro marchio.

Models

G155 - 9 / 15,9 - 1,00

714.741-742-744-745-750-753-754-755-756-757-758-759





Fig.	CEI no.	Rif. MB	Description	Q.ty	Note	G155-9/15,9-1,0				
40	130.554	014 981 1405	Bearing 50,8x100x35	1		●				
41	143.106	389 263 1113	Double Gear 4th/3rd Sp.-28/24 T	1		●				
42	105.129	389 263 0902	Countershaft 21/17/12 T	1		●				
43	130.553	016 981 1205	Bearing 60x130x33,8	1		●				
44	269.278	389 263 0062	Spacer Th.1,00(136,8x130) mm	1	(C)	●				
45	147.280	389 263 0531	Reverse Gear 19 T	1	(C)	●				
45	147.155	389 263 1631	Reverse Gear 19 T	1	(D)	●				
46	137.181	012 981 8910	Needle Cage K42x50x51ZW	1		●				
47	117.414	389 263 0050	Bush Th.19(42x30) mm	1	(C)	●				
47	117.324	389 263 0850	Bush Th.18(74x60) mm	1	(D)	●				
48	107.173	389 263 0330	Reverse Shaft	1		●				
49	188.236	945 263 0041	Key	1		●				

Notes

- (A) Up to gearbox 182425 - See GP section (table 0185) for the coupling
- (B) From gearbox 182426 - See GP section (table 0185) for the coupling
- (C) Up to 06/96
- (D) From 07/96

Date

04 / 2011

Table

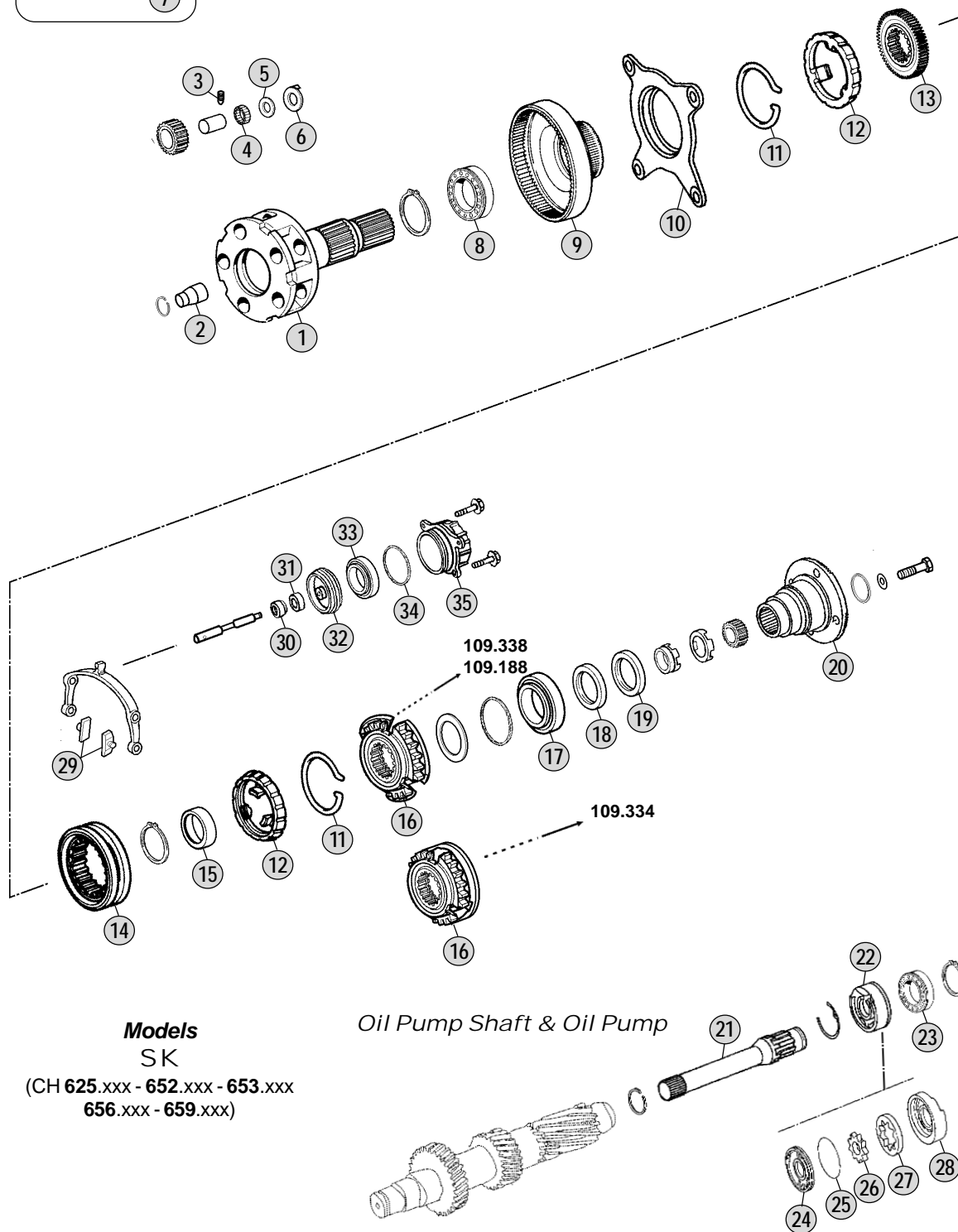
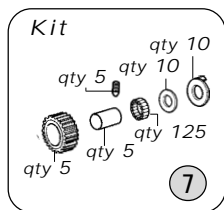
0180

All original equipment manufacturers' numbers, symbols, pictures, models and description used in this catalogue are for reference only, and it is not implied that any part listed is the product of these manufacturers. Tutti i nostri particolari non sono originali ma con essi intercambiabili. I riferimenti originali, le figure, i modelli sono esposti a semplice titolo indicativo. La nostra produzione riporta il nostro marchio.



Adattabile a : **MERCEDES**
 Suitable To :

Modelli Cambio/ Gearbox Models
G155 (9 Speeds)



Models
SK

(CH 625.xxx - 652.xxx - 653.xxx
 656.xxx - 659.xxx)

Oil Pump Shaft & Oil Pump

Models

G155 - 9 / 15,9 - 1,00

714.741-742-744-745-750-753-754-755-756-757-758-759



All original equipment manufacturers numbers, symbols and description used in this catalogue are for reference only, and it is not implied that any part listed is the product of these manufactures.
 Tutti i nostri particolari non sono originali ma con essi intercambiabili. I riferimenti originali, le figure, i modelli sono esposti a semplice titolo indicativo. La nostra produzione riporta il nostro marchio.

Fig.	CEI no.	Rif. MB	Description	Q.ty	Note	G155.9/15.9-1.0				
1	190.336	389 260 0661	Planetary Carrier	1	(A)	●				
1	190.335	389 260 8961	Planetary Carrier	1	(B)	●				
2	188.180	389 269 0134	Oil Tube	1		●				
3	187.609	000914 006109	Stud 6x14 mm	5		●				
4	171.056	001 981 2887	Needle 5x36,7	125	(A)	●				
4	171.057	000 981 4186	Needle 5x39,8	125	(B)	●				
5	169.801	389 262 0162	Spacer	10		●				
6	169.802	389 262 0262	Thrust Washer	10		●				
7	198.884	389 260 0297	Repair Kit	1	(A)	●				
7	198.883	389 260 0497	Repair Kit	1	(B)	●				
8	130.540	008 981 1325	Bearing 90x130x14	1		●				
9	123.228	389 262 0208	Crown Gear 80 T	1		●				
10	198.882	389 260 0936	Synchronizer Flange	1	(E)	●				
10	198.879	389 260 2036	Synchronizer Flange	1	(F)	●				
11	111.206	389 262 0293	Elastic Ring	2		●				
12	119.160	389 262 0537	Synchronizer Ring	2		●				
12	119.250	389 262 3337	Synchronizer Ring	2	LONG LIFE	●				
13	155.206	389 262 0535	Synchronizer Hub	1	(E) Outer Teeth Z 72	●				
13	155.204	389 262 2035	Synchronizer Hub	1	(F) Outer Teeth Z 73	●				
14	154.222	389 262 1523	Sliding Sleeve	1	(E) Inner Teeth Z 72	●				
14	154.432	M389 262 1523	Sliding Sleeve	1	(E) LONG LIFE Z 72	●				
14	154.217	945 262 6623	Sliding Sleeve	1	(F) Inner Teeth Z 73	●				
14	154.433	M945 262 6623	Sliding Sleeve	1	(F) LONG LIFE Z 73	●				
15	117.322	389 262 0251	Bush	1		●				
16	109.338	389 262 2334	Synchronizer Cone	1	(E)	●				
16	109.188	389 262 4034	Synchronizer Cone	1	(F)	●				
16	109.334	389 262 9134	Synchronizer Cone	1	(F)	●				
17	130.539	004 981 9325	Bearing 85x150x28	1		●				
18	139.551	013 997 7247	Oil Seal 95x115x13	1		●				
19	139.552	013 997 7347	Oil Seal 95x115x13	1		●				
20	197.079	389 262 0445	Output Flange D.180 mm	1		●				
21	101.123	389 269 1210	Oil Pump Shaft	1		●				
22	280.587	389 260 0690	Oil Pump	1	Old Type-Assembly	●				
23	130.538	004 981 9225	Bearing 45x75x16	1		●				
24	189.607	389 269 2601	Oil Pump Cover	1	New Type-Disassembled	●				
25	111.208	029 997 5748	O Ring	1	New Type-Disassembled	●				
26	189.606	389 269 1406	Oil Pump Gear	1	New Type-Disassembled	●				
27	189.605	389 269 0706	Oil Pump Hub	1	New Type-Disassembled	●				
28	189.604	947 269 1001	Oil Pump Housing	1	New Type-Disassembled	●				
29	141.162	389 265 2449	Slide Fork	2	BRASS	●				
29	141.219	M389 265 2449	Slide Fork	2	IRON	●				
30	139.834	000 267 0197	Oil Seal 22x32x8	1		●				
31	117.412	387 267 0650	Bush Th.8(34x22) mm	1		●				
32	132.066	389 267 1018	Cylinder	1		●				
33	139.817	024 997 8347	Oil Seal 77x90x17	1		●				

Notes

- (A) Up to gearbox 182425 - See Sun gear (table 0180) for the coupling
 (B) From gearbox 182426 - See Sun gear (table 0180) for the coupling
 (E) Up to gearbox 201817
 (F) From gearbox 201818

Date

04 / 2011

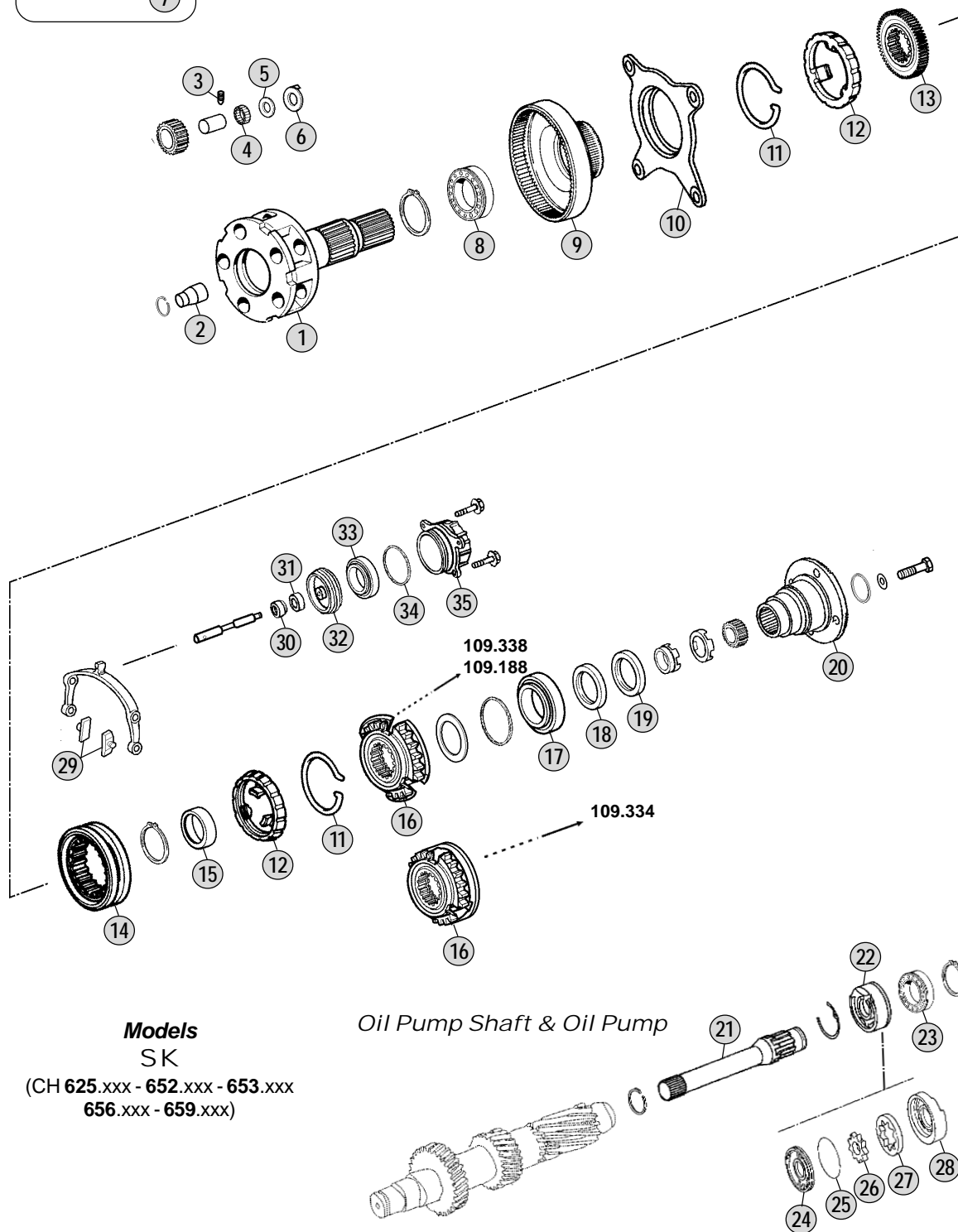
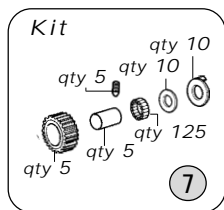
Table

0185

All original equipment manufacturers numbers, symbols, pictures, models and description used in this catalogue are for reference only, and it is not implied that any part listed is the product of these manufactures.
 Tutti i nostri particolari non sono originali ma con essi intercambiabili. I riferimenti originali, le figure, i modelli sono esposti a semplice titolo indicativo. La nostra produzione riporta il nostro marchio.

Adattabile a : **MERCEDES**
 Suitable To :

Modelli Cambio/ Gearbox Models
G155 (9 Speeds)



Models
SK

(CH 625.xxx - 652.xxx - 653.xxx
 656.xxx - 659.xxx)

Oil Pump Shaft & Oil Pump

Models

G155 - 9 / 15,9 - 1,00

714.741-742-744-745-750-753-754-755-756-757-758-759



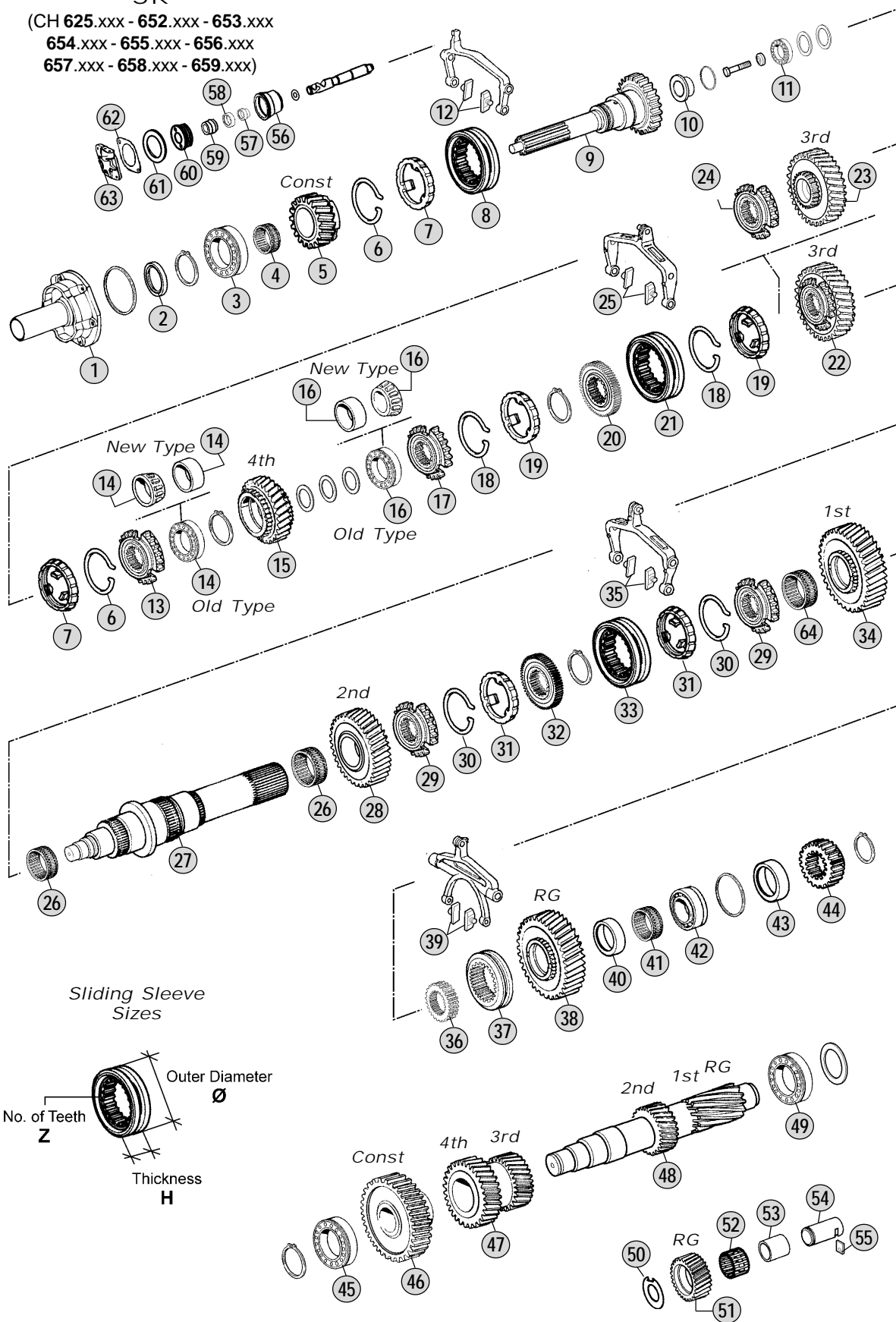
All original equipment manufacturers numbers, symbols and description used in this catalogue are for reference only, and it is not implied that any part listed is the product of these manufactures.
 Tutti i nostri particolari non sono originali ma con essi intercambiabili. I riferimenti originali, le figure, i modelli sono esposti a semplice titolo indicativo. La nostra produzione riporta il nostro marchio.

Adattabile a : **MERCEDES**
Suitable To :

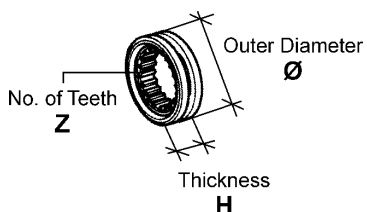
Models

SK

(CH 625.xxx - 652.xxx - 653.xxx
654.xxx - 655.xxx - 656.xxx
657.xxx - 658.xxx - 659.xxx)



Sliding Sleeve
Sizes



All original equipment manufacturers numbers, symbols and description used in this catalogue are for reference only, and it is not implied that any part listed is the product of these manufactures. Tutti i nostri particolari non sono originali ma con essi intercambiabili. I riferimenti originali, le figure, i modelli sono esposti a semplice titolo indicativo. La nostra produzione riporta il nostro marchio.

Models

G155 - 16 / 11,9 - 0,88 **714.704(EPS)-705-709-715-716-717-782-786-787-792(EPS)**

G155 - 16 / 14,0 - 1,00 **714.701(EPS)-702-708-710-711-712(EPS)-713(EPS)-714-719-785-790-791**



Fig.	CEI no.	Rif. MB	Description	Q.ty	Note	G155-16/17,9-0,88	G155-16/14,0-1,0			
1	135.131	389 261 3318	Front Cover	1		●	●			
2	139.549	024 997 3047	Seal Ring 52x68x8 mm	1		●	●			
3	130.550	011 981 1305	Bearing 75x140x34,3	1		●	●			
4	137.186	009 981 1610	Needle Cage K85x93x37ZW	1		●	●			
5	145.608	389 262 2910	Constant Gear 26 T	1	(ABC)	●				
5	145.558	389 262 7710	Constant Gear 26 T	1	(DEF)	●				
5	145.607	389 262 2810	Constant Gear 22 T	1	(ABC)		●			
5	145.579	389 262 2210	Constant Gear 22 T	1	(DEF)		●			
6	111.204	387 262 1093	Elastic Ring	2		●	●			
7	119.112	389 262 0637	Synchronizer Ring	2		●	●			
7	119.226	389 262 3137	Synchronizer Ring	2	LONG LIFE	●	●			
8	154.215	387 262 1523	Sliding Sleeve	1	(A) D.198-H33-Z60	●	●			
8	154.430	M387 262 1523	Sliding Sleeve	1	(A) LONG LIFE	●	●			
8	154.214	389 262 3023	Sliding Sleeve	1	(BCDEF) D.198-H31-Z60	●	●			
8	154.407	M389 262 3023	Sliding Sleeve	1	(BCDEF) LONG LIFE	●	●			
9	102.528	389 262 1201	Input Shaft	1	(ABC) Repl.by 389 262 3701	●	●			
9	102.270	389 262 3701	Input Shaft 60 T	1	(ABC)	●	●			
9	102.271	389 262 2901	Input Shaft 60 T	1	(DEF)	●	●			
10	139.554	018 997 7147	Oil Deflector	1		●	●			
11	130.551	008 981 2805	Bearing 40x90,9x32	1	Oem	●	●			
11	530.551	008 981 2805	Bearing 40x90,9x32	1	A.Market	●	●			
12	141.162	389 265 2449	Slide Fork	2	BRASS	●	●			
12	141.219	M389 265 2449	Slide Fork	2	IRON	●	●			
13	109.131	389 262 5634	Synchronizer Cone	1		●	●			
14	130.557	011 981 7605	Bearing 50x90x32	1	Oem Old Type	●	●			
14	530.557	011 981 7605	Bearing 50x90x32	1	A.Market Old Type	●	●			
14	130.561	015 981 7605	Bearing 50x85x41	1	New Type	●	●			
14	130.555	002 981 1680	Ring D.90	1	New Type	●	●			
15	145.613	389 262 1110	Gear 4th Speed 24 T	1	(A)	●	●			
15	145.580	389 262 3710	Gear 4th Speed 24 T	1	(BC)	●	●			
15	145.581	389 262 5510	Gear 4th Speed 24 T	1	(DE)	●	●			
15	145.582	389 262 5610	Gear 4th Speed 24 T	1	(F)	●	●			
16	130.546	011 981 7705	Bearing 55x90x24	1	Old Type	●	●			
16	130.548	002 981 1580	Ring D.90	1	New Type	●	●			
16	130.547	CEI 130547	Bearing 55x24	1	New type	●	●			
17	109.131	389 262 5634	Synchronizer Cone	1	(ABCDE)	●	●			
17	109.189	945 262 0534	Synchronizer Cone	2	(F)	●	●			
18	111.204	387 262 1093	Elastic Ring	2	(ABCDE)	●	●			
18	111.205	387 262 0893	Elastic Ring	2	(F)	●	●			
19	119.112	389 262 0637	Synchronizer Ring	2	(ABCDE)	●	●			
19	119.226	389 262 3137	Synchronizer Ring	2	(ABCDE) LONG LIFE	●	●			
19	119.161	389 262 0737	Synchronizer Ring	2	(F)	●	●			
19	119.225	389 262 3237	Synchronizer Ring	2	(F) LONG LIFE	●	●			
20	157.214	389 262 0635	Synchronizer Hub	2	(ABCDE)	●	●			
20	157.215	389 262 1535	Synchronizer Hub	2	(F)	●	●			

Notes

(A) Up to gearbox 058288 (B) From gearbox 058289 (C) Up to gearbox 182425
 (D) From gearbox 182426 (E) Up to gearbox 297456 (F) From gearbox 297457
 (G) Up to gearbox 182425 - See GP section (table 0195) for the coupling
 (H) From gearbox 182426 - See GP section (table 0195) for the coupling
 (L) Up to 06/96 (M) From 07/96

Date

04 / 2011

Table

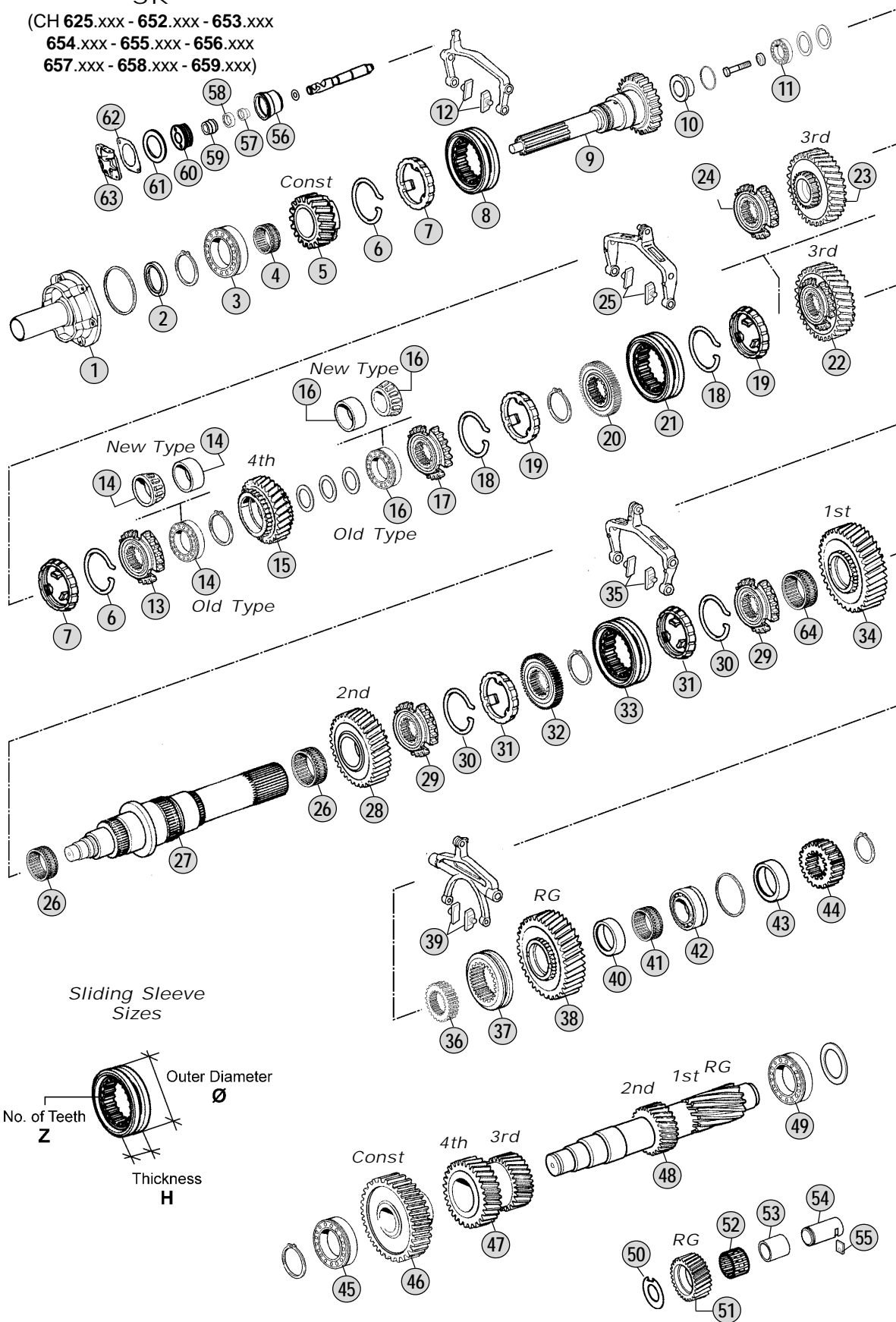
0190

Adattabile a : **MERCEDES**
Suitable To :

Models

SK

(CH 625.xxx - 652.xxx - 653.xxx
654.xxx - 655.xxx - 656.xxx
657.xxx - 658.xxx - 659.xxx)



All original equipment manufacturers' numbers, symbols and description used in this catalogue are for reference only, and it is not implied that any part listed is the product of these manufactures. Tutti i nostri particolari non sono originali ma con essi intercambiabili. I riferimenti originali, le figure, i modelli sono esposti a semplice titolo indicativo. La nostra produzione riporta il nostro marchio.

Models

G155 - 16 / 11,9 - 0,88

714.704(EPS)-705-709-715-716-717-782-786-787-792(EPS)

G155 - 16 / 14,0 - 1,00

714.701(EPS)-702-708-710-711-712(EPS)-713(EPS)-714-719-785-790-791



Fig.	CEI no.	Rif. MB	Description	Q.ty	Note	G155-16/17,9-0,88	G155-16/14,0-1,0			
21	154.215	387 262 1523	Sliding Sleeve	1	(A)	D.198-H33-Z60	●	●		
21	154.430	M387 262 1523	Sliding Sleeve	1	(A)	LONG LIFE	●	●		
21	154.214	389 262 3023	Sliding Sleeve	1	(BCDE)	D.198-H31-Z60	●	●		
21	154.407	M389 262 3023	Sliding Sleeve	1	(BCDE)	LONG LIFE	●	●		
21	154.213	389 262 2923	Sliding Sleeve	1	(F)	D.218-H31-Z66	●	●		
21	154.405	M389 262 2923	Sliding Sleeve	1	(F)	LONG LIFE	●	●		
22	145.612	389 262 0313	Gear 3rd Speed 28 T	1	(A)		●	●		
22	196.271	389 262 1413	Gear 3rd Speed 28 T	1	(BCDE)		●	●		
23	145.583	389 262 2113	Gear 3rd Speed 28 T	1	(F)		●	●		
24	109.189	945 262 0534	Synchronizer Cone	1	(F)		●	●		
25	141.161	389 265 2349	Slide Fork	2		BRASS	●	●		
25	141.220	M389 265 2349	Slide Fork	2		IRON	●	●		
26	137.177	018 981 6610	Needle Cage K85x93x53ZWD	2			●	●		
27	103.148	389 262 1505	Main Shaft	1			●	●		
28	145.611	389 262 0312	Gear 2nd Speed 32 T	1	(A)		●	●		
28	145.610	389 262 1312	Gear 2nd Speed 32 T	1	(BCDEF)		●	●		
29	109.187	945 262 0434	Synchronizer Cone	2			●	●		
30	111.205	387 262 0893	Elastic Ring	2			●	●		
31	119.161	389 262 0737	Synchronizer Ring	2			●	●		
31	119.225	389 262 3237	Synchronizer Ring	2		LONG LIFE	●	●		
32	157.213	389 262 0035	Synchronizer Hub	1			●	●		
33	154.216	387 262 0623	Sliding Sleeve	1	(A)	D.218-H33-Z66	●	●		
33	154.431	M387 262 0623	Sliding Sleeve	1	(A)	LONG LIFE	●	●		
33	154.213	389 262 2923	Sliding Sleeve	1	(BCDEF)	D.218-H31-Z66	●	●		
33	154.405	M389 262 2923	Sliding Sleeve	1	(BCDEF)	LONG LIFE	●	●		
34	145.609	389 262 0411	Gear 1st Speed 38 T	1	(A)		●	●		
34	145.606	389 262 1611	Gear 1st Speed 38 T	1	(BCDEF)		●	●		
35	141.161	389 265 2349	Slide Fork	2		BRASS	●	●		
35	141.220	M389 265 2349	Slide Fork	2		IRON	●	●		
36	157.603	389 262 0135	Synchronizer Hub	1			●	●		
37	154.224	389 262 1723	Sliding Sleeve	1	Excl.714.701-704-712-713-792		●	●		
37	154.223	389 262 1823	Sliding Sleeve	1	Only 714.701-704-712-713-792		●	●		
38	147.159	389 262 0333	Reverse Gear 34 T	1	Excl.714.701-704-712-713-792		●	●		
38	147.160	389 262 1033	Reverse Gear 34 T	1	Only 714.701-704-712-713-792		●	●		
39	141.160	945 265 0149	Slide Fork	2			●	●		
40	177.327	389 262 2550	Bush	1			●	●		
41	137.187	009 981 1510	Needle Cage K78x86x35ZW	1			●	●		
42	130.552	014 981 6105	Bearing 60x130x30	1			●	●		
43	117.326	389 262 0152	Spacer Th.20,3(74x60) mm	1	(G)		●	●		
43	117.325	389 262 3754	Spacer Th.18(74x60) mm	1	(H)		●	●		
44	157.600	389 262 0409	Sun Gear 25 T	1	(G)		●	●		
44	157.212	389 262 0209	Sun Gear 25 T	1	(H)		●	●		
45	130.554	014 981 1405	Bearing 50,8x100x35	1			●	●		
46	146.502	389 263 0410	Constant Gear 23 T	1	(ABC)		●			
46	146.478	389 263 1110	Constant Gear 23 T	1	(DEF)		●			

Notes

(A) Up to gearbox 058288 (B) From gearbox 058289 (C) Up to gearbox 182425
 (D) From gearbox 182426 (E) Up to gearbox 297456 (F) From gearbox 297457
 (G) Up to gearbox 182425 - See GP section (table 0195) for the coupling
 (H) From gearbox 182426 - See GP section (table 0195) for the coupling
 (L) Up to 06/96 (M) From 07/96

Date

04 / 2011

Table

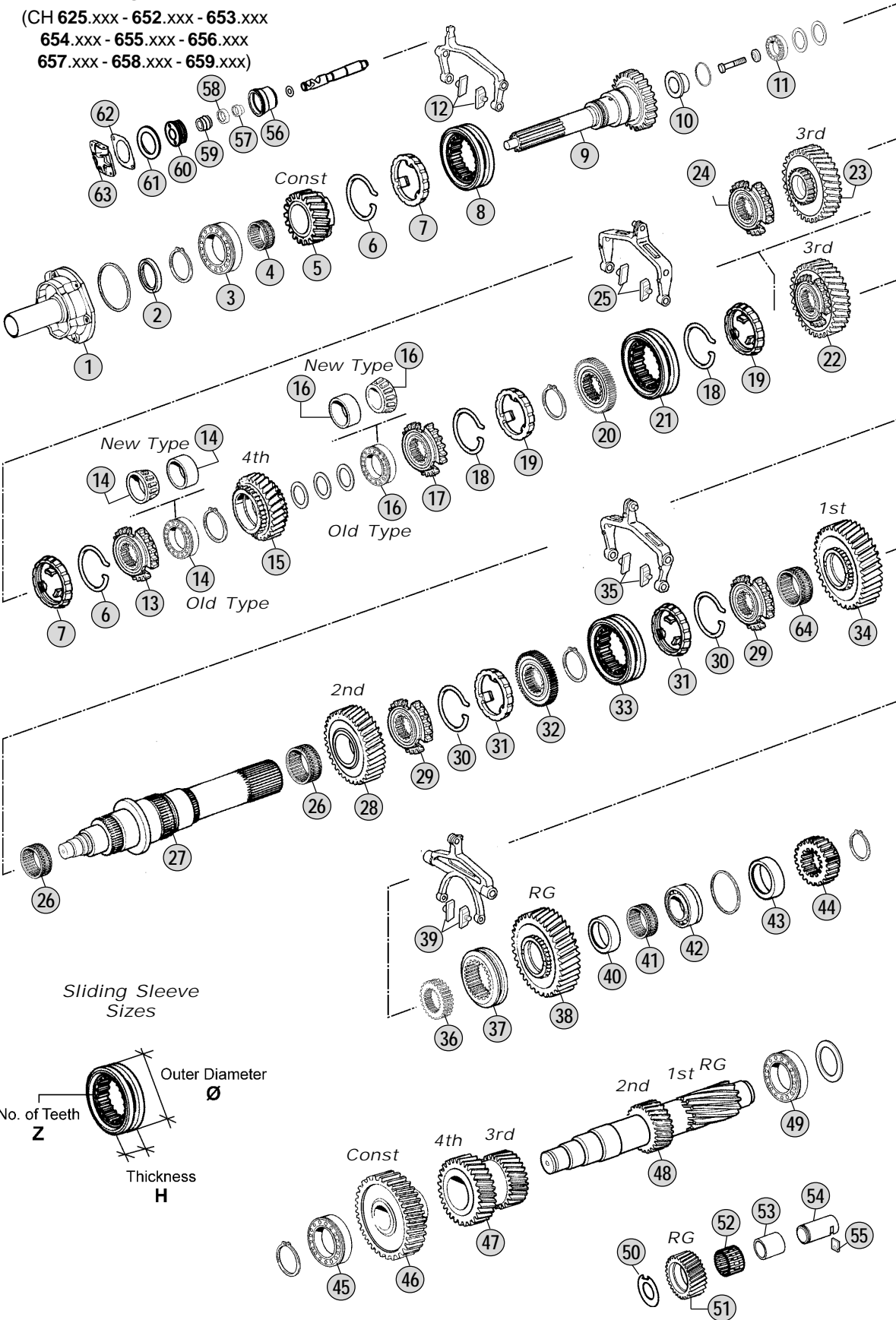
0190

Adattabile a : **MERCEDES**
Suitable To :

Models

SK

(CH 625.xxx - 652.xxx - 653.xxx
654.xxx - 655.xxx - 656.xxx
657.xxx - 658.xxx - 659.xxx)



Models

G155 - 16 / 11,9 - 0,88	714.704(EPS)-705-709-715-716-717-782-786-787-792(EPS)
G155 - 16 / 14,0 - 1,00	714.701(EPS)-702-708-710-711-712(EPS)-713(EPS)-714-719-785-790-791



All original equipment manufacturers numbers, symbols and description used in this catalogue are for reference only, and it is not implied that any part listed is the product of these manufactures. Tutti i nostri particolari non sono originali ma con essi intercambiabili. I riferimenti originali, le figure, i modelli sono esposti a semplice titolo indicativo. La nostra produzione riporta il nostro marchio.

Fig.	CEI no.	Rif. MB	Description	Q.ty	Note	G155-16/17,9-0,88	G155-16/14,0-1,0			
46	146.503	389 263 0910	Constant Gear 27 T	1	(ABC)	●	●			
46	146.477	389 263 1210	Constant Gear 27 T	1	(DEF)	●	●			
47	143.107	389 263 0313	Double Gear 4th/3rd Sp.-25/21 T	1	(A)	●	●			
47	143.099	389 263 1013	Double Gear 4th/3rd Sp.-25/21 T	1	(BC)	●	●			
47	143.100	389 263 1413	Double Gear 4th/3rd Sp.-25/21 T	1	(DEF)	●	●			
48	105.130	389 263 0302	Countershaft 17/14 T	1	(A)	●	●			
48	105.131	389 263 0802	Countershaft 17/14 T	1	(BCDEF)	●	●			
49	130.553	016 981 1205	Bearing 60x130x33,8	1		●	●			
50	269.278	389 263 0062	Spacer Th.1,00(136,8x130) mm	1	(L)	●	●			
51	147.279	389 263 0331	Reverse Gear 18 T	1	(L)	●	●			
51	147.158	389 263 1531	Reverse Gear 18 T	1	(M)	●	●			
52	137.181	012 981 8910	Needle Cage K42x50x51ZW	1		●	●			
53	117.414	389 263 0050	Bush Th.19(42x30) mm	1	(L)	●	●			
53	117.324	389 263 0850	Bush Th.18(74x60) mm	1	(M)	●	●			
54	107.239	389 263 0430	Reverse Shaft	1	Old Style	●	●			
54	107.174	976 263 0030	Reverse Shaft	1	New Style	●	●			
55	188.245	389 263 0041	Key	1	Old Style	●	●			
55	188.236	945 263 0041	Key	1	New Style	●	●			
56	132.068	389 267 3319	Cylinder	1		●	●			
57	139.834	000 267 0197	Oil Seal 22x32x8	1		●	●			
58	117.412	387 267 0650	Bush Th.8(34x22) mm	1		●	●			
59	139.813	006 997 6447	Oil Seal 41x48x11,5	1		●	●			
60	189.680	945 267 0218	Piston	1		●	●			
61	139.596	007 997 4248	O Ring 63x3	1		●	●			
62	139.818	387 263 3352	Gasket Th.0,20 mm	1		●	●			
62	169.844	387 263 3452	Gasket Th.0,40 mm	1		●	●			
62	139.819	387 263 3552	Gasket Th.0,60 mm	1		●	●			
62	139.820	387 263 3752	Gasket Th.1,00 mm	1		●	●			
63	132.067	389 267 2819	Cylinder	1		●	●			
64	137.182	008 981 8310	Needle Cage 75x83x55W	1		●	●			

Notes

(A) Up to gearbox 058288 (B) From gearbox 058289 (C) Up to gearbox 182425
 (D) From gearbox 182426 (E) Up to gearbox 297456 (F) From gearbox 297457
 (G) Up to gearbox 182425 - See GP section (table 0195) for the coupling
 (H) From gearbox 182426 - See GP section (table 0195) for the coupling
 (L) Up to 06/96 (M) From 07/96

Date

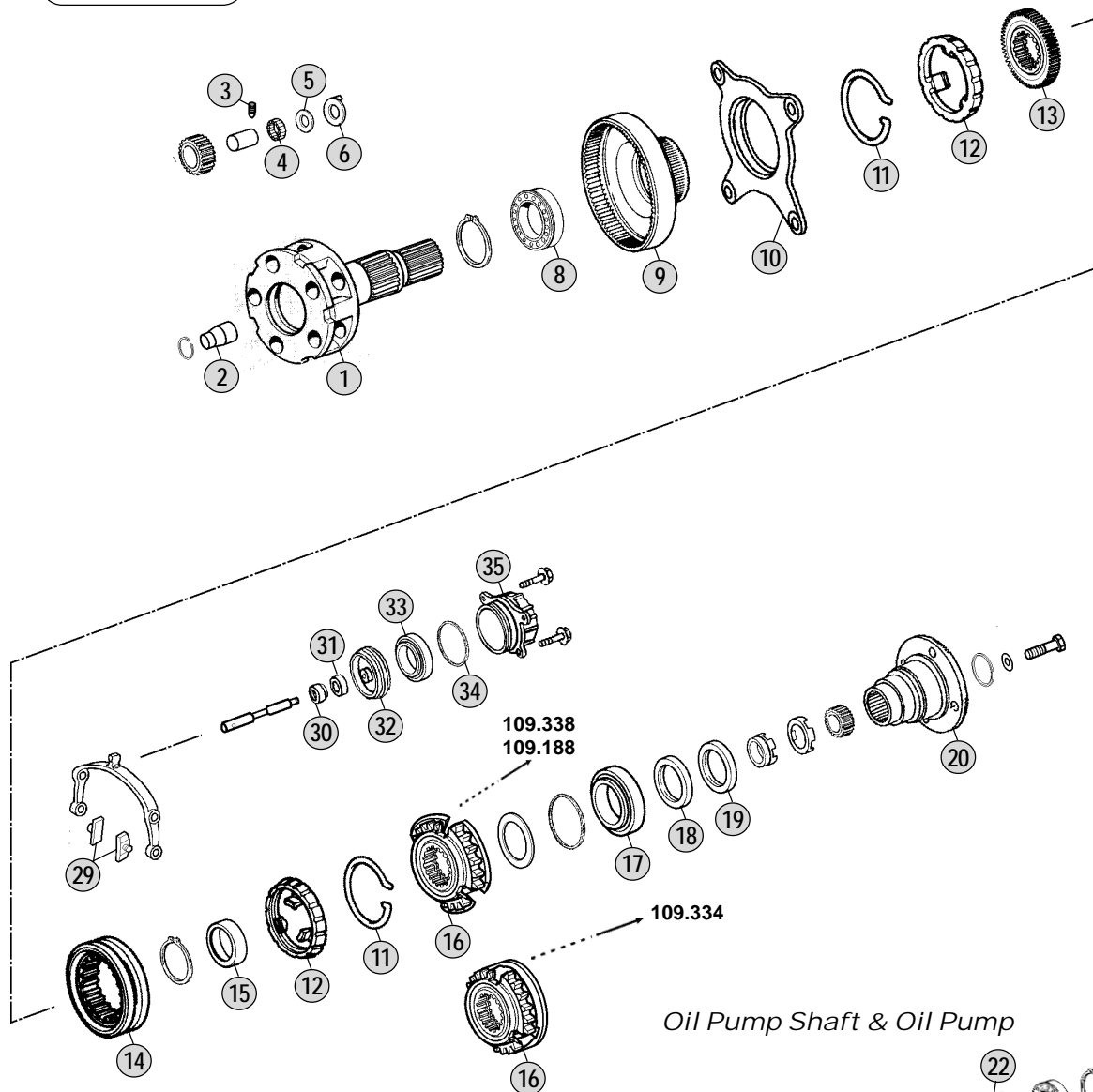
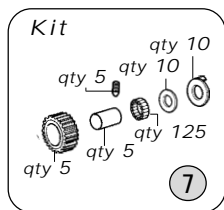
04 / 2011

Table

0190

Adattabile a : **MERCEDES**
 Suitable To :

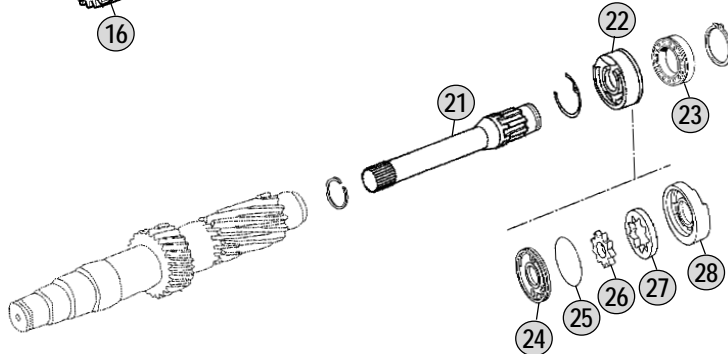
Modelli Cambio/ Gearbox Models
G155 (16 Speeds)



Oil Pump Shaft & Oil Pump

Models
 SK

(CH 625.xxx - 652.xxx - 653.xxx
 654.xxx - 655.xxx - 656.xxx
 657.xxx - 658.xxx - 659.xxx)



All original equipment manufacturers' numbers, symbols and description used in this catalogue are for reference only, and it is not implied that any part listed is the product of these manufactures. Tutti i nostri particolari non sono originali ma con essi intercambiabili. I riferimenti originali, le figure, i modelli sono esposti a semplice titolo indicativo. La nostra produzione riporta il nostro marchio.

Models

G155 - 16 / 11,9 - 0,88	714.704(EPS)-705-709-715-716-717-782-786-787-792(EPS)
G155 - 16 / 14,0 - 1,00	714.701(EPS)-702-708-710-711-712(EPS)-713(EPS)-714-719-785-790-791



Fig.	CEI no.	Rif. MB	Description	Q.ty	Note	G155-16/17,9-0,88	G155-16/14,0-1,0			
1	190.336	389 260 0661	Planetary Carrier	1	(G)	●	●			
1	190.335	389 260 8961	Planetary Carrier	1	(H)	●	●			
2	188.180	389 269 0134	Oil Tube	1		●	●			
3	187.609	000914 006109	Stud 6x14 mm	5		●	●			
4	171.056	001 981 2887	Needle 5x36,7	125	(G)	●	●			
4	171.057	000 981 4186	Needle 5x39,8	125	(H)	●	●			
5	169.801	389 262 0162	Spacer	10		●	●			
6	169.802	389 262 0262	Thrust Washer	10		●	●			
7	198.884	389 260 0297	Repair Kit	1	(G)	●	●			
7	198.883	389 260 0497	Repair Kit	1	(H)	●	●			
8	130.540	008 981 1325	Bearing 90x130x14	1		●	●			
9	123.228	389 262 0208	Crown Gear 80 T	1		●	●			
10	198.882	389 260 0936	Synchronizer Flange	1	(P)	●	●			
10	198.879	389 260 2036	Synchronizer Flange	1	(Q)	●	●			
11	111.206	389 262 0293	Elastic Ring	2		●	●			
12	119.160	389 262 0537	Synchronizer Ring	2		●	●			
12	119.250	389 262 3337	Synchronizer Ring	2	LONG LIFE	●	●			
13	155.206	389 262 0535	Synchronizer Hub	1	(P) Outer Teeth Z 72	●	●			
13	155.204	389 262 2035	Synchronizer Hub	1	(Q) Outer Teeth Z 73	●	●			
14	154.222	389 262 1523	Sliding Sleeve	1	(P) Inner Teeth Z 72	●	●			
14	154.432	M389 262 1523	Sliding Sleeve	1	(P) LONG LIFE Z 72	●	●			
14	154.217	945 262 6623	Sliding Sleeve	1	(Q) Inner Teeth Z 73	●	●			
14	154.433	M945 262 6623	Sliding Sleeve	2	(Q) LONG LIFE Z 73	●	●			
15	117.322	389 262 0251	Bush	1		●	●			
16	109.338	389 262 2334	Synchronizer Cone	1	(P)	●	●			
16	109.188	389 262 4034	Synchronizer Cone	1	(Q)	●	●			
16	109.334	389 262 9134	Synchronizer Cone	1	(Q)	●	●			
17	130.539	004 981 9325	Bearing 85x150x28	1		●	●			
18	139.551	013 997 7247	Oil Seal 95x115x13	1		●	●			
19	139.552	013 997 7347	Oil Seal 95x115x13	1		●	●			
20	197.079	389 262 0445	Output Flange D.180 mm	1		●	●			
21	101.123	389 269 1210	Oil Pump Shaft	1		●	●			
22	280.587	389 260 0690	Oil Pump	1	Old Type-Assembly	●	●			
23	130.538	004 981 9225	Bearing 45x75x16	1		●	●			
24	189.607	389 269 2601	Oil Pump Cover	1	New Type-Disassembled	●	●			
25	111.208	029 997 5748	O Ring	1	New Type-Disassembled	●	●			
26	189.606	389 269 1406	Oil Pump Gear	1	New Type-Disassembled	●	●			
27	189.605	389 269 0706	Oil Pump Hub	1	New Type-Disassembled	●	●			
28	189.604	947 269 1001	Oil Pump Housing	1	New Type-Disassembled	●	●			
29	141.162	389 265 2449	Slide Fork	2	BRASS	●	●			
29	141.219	M389 265 2449	Slide Fork	1	IRON	●	●			
30	139.834	000 267 0197	Oil Seal 22x32x8	1		●	●			
31	117.412	387 267 0650	Bush Th.8(34x22) mm	1		●	●			
32	132.066	389 267 1018	Cylinder	1		●	●			
33	139.817	024 997 8347	Oil Seal 77x90x17	1		●	●			

Notes

(G) Up to gearbox 182425 - See Sun gear (table 0190) for the coupling
(H) From gearbox 182426 - See Sun gear (table 0190) for the coupling
(P) Up to gearbox 201817
(Q) From gearbox 201818

Date

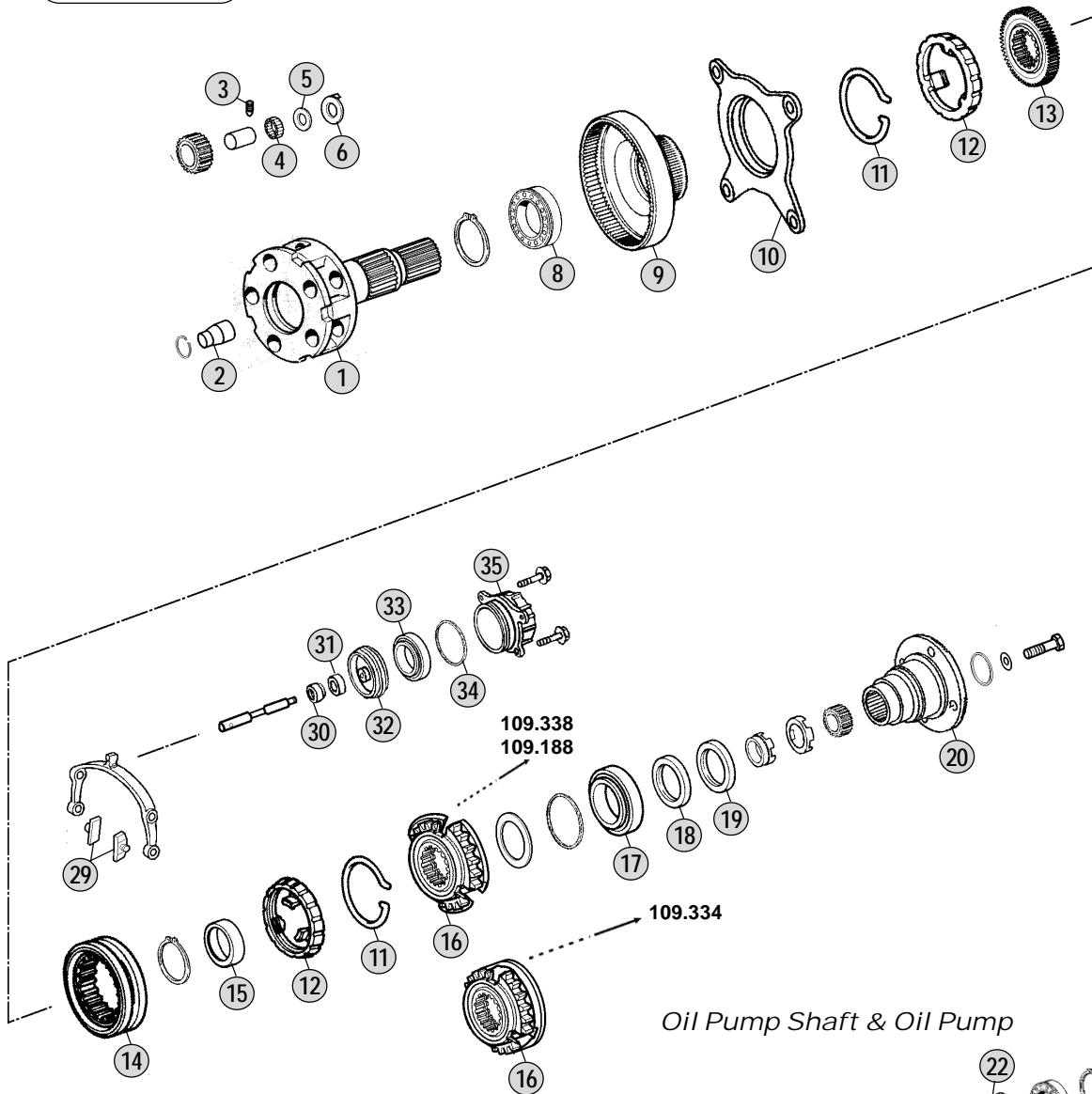
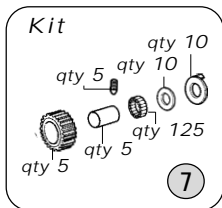
04 / 2011

Table

0195

Adattabile a : **MERCEDES**
 Suitable To :

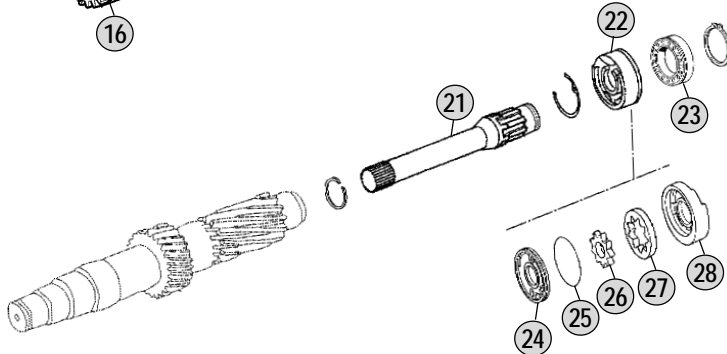
Modelli Cambio/ Gearbox Models
G155 (16 Speeds)



Oil Pump Shaft & Oil Pump

Models
 SK

(CH 625.xxx - 652.xxx - 653.xxx
 654.xxx - 655.xxx - 656.xxx
 657.xxx - 658.xxx - 659.xxx)



All original equipment manufacturers' numbers, symbols and description used in this catalogue are for reference only, and it is not implied that any part listed is the product of these manufactures.
 Tutti i nostri particolari non sono originali ma con essi intercambiabili. I riferimenti originali, le figure, i modelli sono esposti a semplice titolo indicativo. La nostra produzione riporta il nostro marchio.

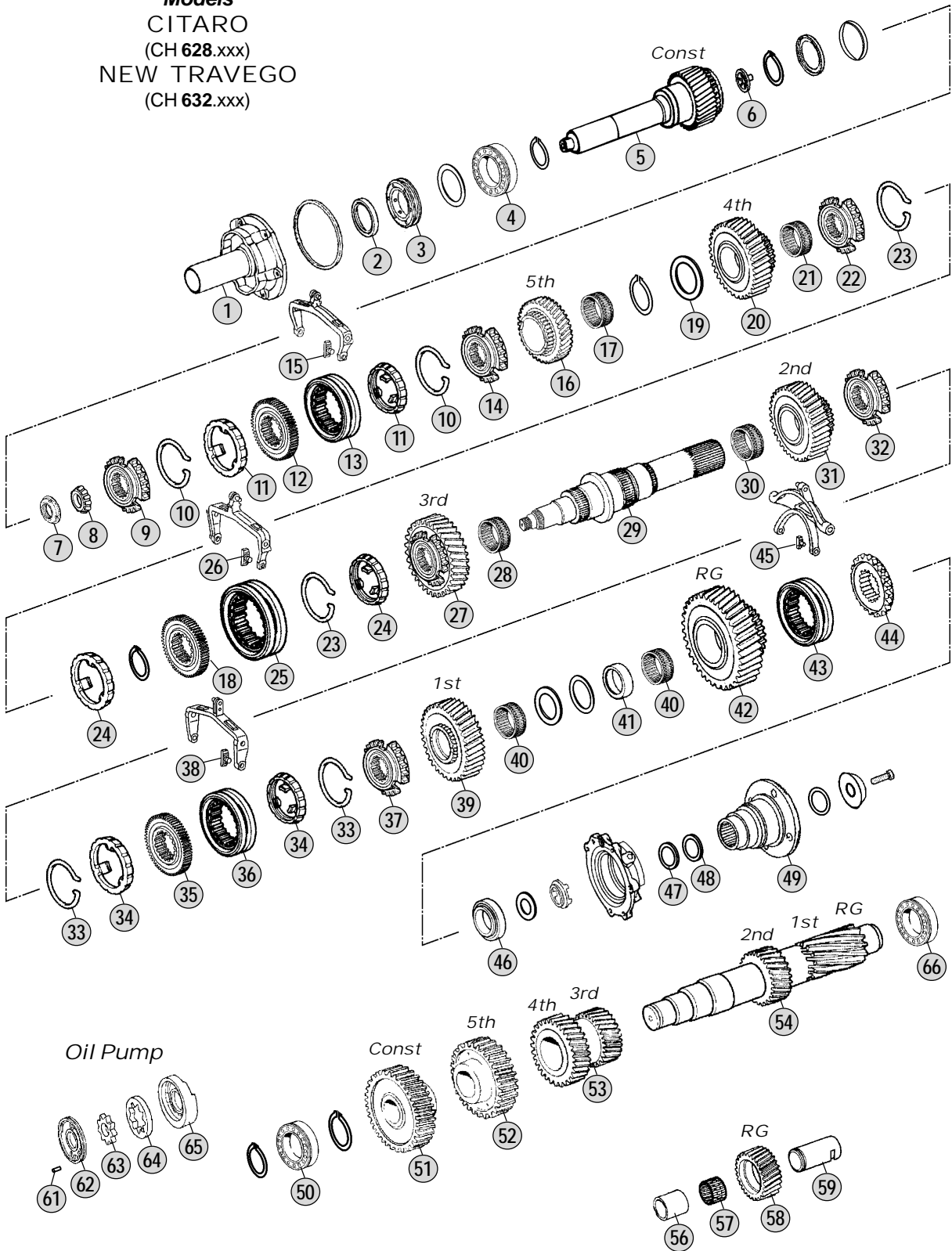
Models

G155 - 16 / 11,9 - 0,88	714.704(EPS)-705-709-715-716-717-782-786-787-792(EPS)
G155 - 16 / 14,0 - 1,00	714.701(EPS)-702-708-710-711-712(EPS)-713(EPS)-714-719-785-790-791



Adattabile a : **MERCEDES**
Suitable To :

Models
CITARO
(CH 628.xxx)
NEW TRAVEGO
(CH 632.xxx)



All original equipment manufacturers' numbers, symbols, and description used in this catalogue are for reference only, and it is not implied that any part listed is the product of these manufactures. Tutti i nostri particolari non sono originali ma con essi intercambiabili. I riferimenti originali, le figure, i modelli sono esposti a semplice titolo indicativo. La nostra produzione riporta il nostro marchio.

Models

GO170 - 6 / 8,2 - 1,00

714.100-101-102



Fig.	CEI no.	Rif. MB	Description	Q.ty	Note	GO170-6/8-2-1,0				
1	135.203	389 261 3718	Front Cover	1		●				
1	135.204	389 261 6218	Front Cover	1		●				
1	135.205	389 261 6618	Front Cover	1		●				
1	135.202	656 261 0018	Front Cover	1		●				
2	139.556	019 997 0547	Oil Seal 56x72x8	1		●				
3	139.555	389 261 0865	Diaphragm	1		●				
4	130.550	011 981 1305	Bearing 75x140x34,3	1		●				
5	102.483	656 262 8102	Input Shaft 26 T	1		●				
5	102.484	656 262 8202	Input Shaft 26 T	1		●				
5	102.485	389 262 8902	Input Shaft 26 T	1		●				
5	102.486	389 262 8302	Input Shaft 26 T	1		●				
5	102.487	389 262 8502	Input Shaft 26 T	1		●				
5	102.488	656 262 9802	Input Shaft 26 T	1		●				
5	102.489	656 262 9902	Input Shaft 26 T	1		●				
5	102.490	655 262 0602	Input Shaft 26 T	1		●				
5	102.491	655 262 0002	Input Shaft 26 T	1		●				
5	102.492	655 262 0202	Input Shaft 26 T	1		●				
5	102.493	656 262 9202	Input Shaft 26 T	1		●				
6	139.749	976 269 0034	Oil Collector	1		●				
7	187.676	945 990 0250	Nut M30x1,5	1		●				
8	130.558	015 981 1605	Bearing 39,65x82,3x41	1		●				
9	109.741	389 262 9734	Synchronizer Cone	1	(A)	●				
9	109.783	945 262 7234	Synchronizer Cone	1	(B)	●				
10	111.204	387 262 1093	Elastic Ring	2		●				
11	119.112	389 262 0637	Synchronizer Ring	2	(A)	●				
11	119.226	389 262 3137	Synchronizer Ring	2	(A) LONG LIFE	●				
11	119.271	947 260 0545	Synchronizer Ring	2	(B)	●				
11	119.300	CEI 119300	Synchronizer Ring	2	(B) LONG LIFE	●				
12	155.245	389 262 5335	Synchronizer Hub	1		●				
13	154.221	945 262 0323	Sliding Sleeve	1	(A)	●				
13	154.408	M945 262 0323	Sliding Sleeve	1	(A) LONG LIFE	●				
13	154.399	945 262 6823	Sliding Sleeve	1	(B)	●				
13	154.457	M945 262 6823	Sliding Sleeve	1	(B) LONG LIFE	●				
14	109.743	389 262 9834	Synchronizer Cone	1	(A)	●				
14	109.744	945 262 7134	Synchronizer Cone	1	(B)	●				
15	141.165	947 265 0349	Slide Fork	2	BRASS	●				
15	141.221	M947 265 0349	Slide Fork	2	IRON	●				
16	244.037	389 262 1615	Gear 5th Speed 30 T	1		●				
17	137.356	019 981 6010	Needle Cage 60x68x54	1		●				
18	157.624	389 262 4435	Synchronizer Hub	1		●				
19	269.375	389 262 1862	Washer	1		●				
20	145.569	389 262 0914	Gear 4th Speed 35 T	1		●				
21	137.187	009 981 1510	Needle Cage K78x86x35ZW	1		●				
22	109.349	945 262 5034	Synchronizer Cone	1	(A)	●				
22	109.745	945 262 6134	Synchronizer Cone	1	(B)	●				

Notes

- (A) Up to gearbox 018182
(B) From gearbox 018183

Date

04 / 2011

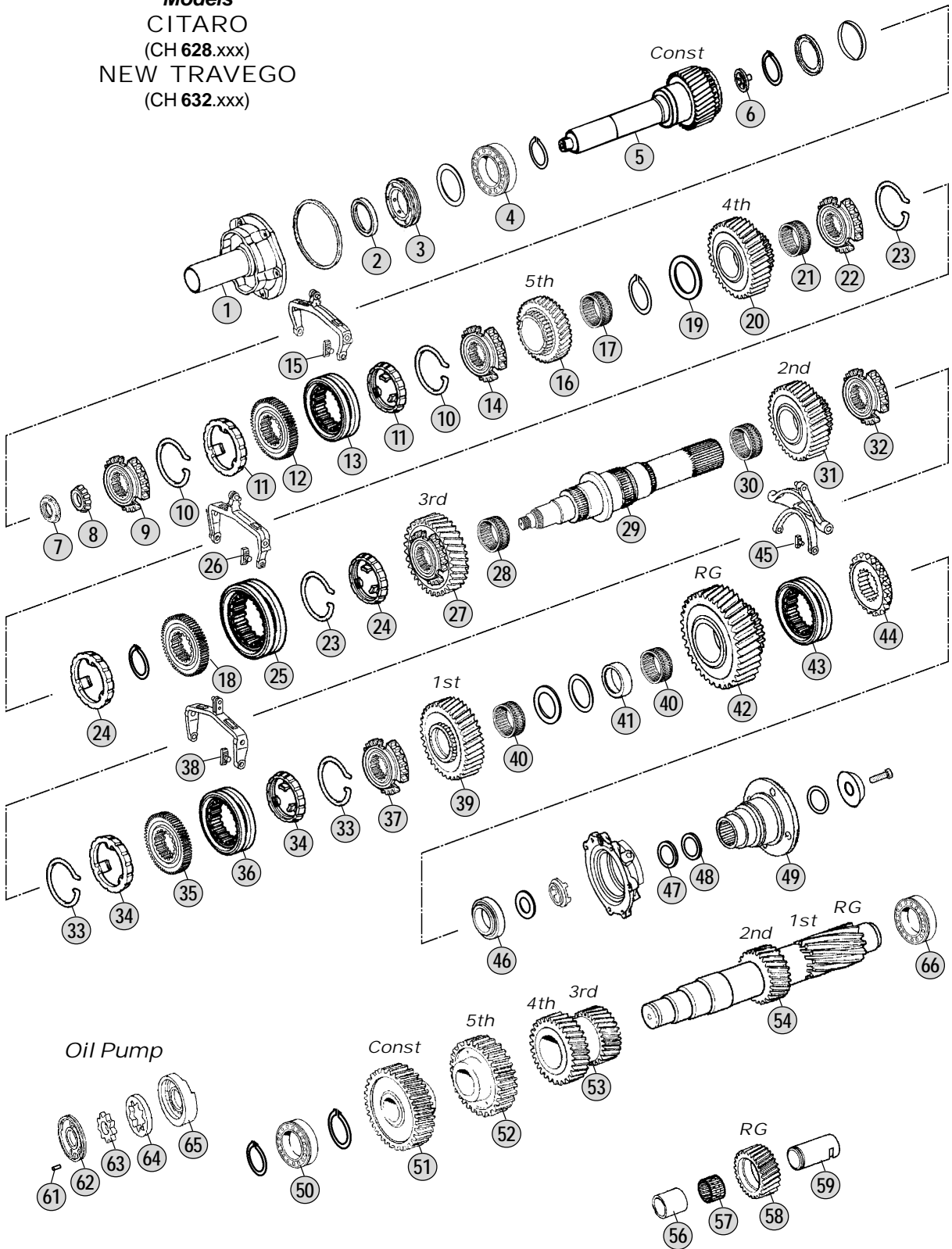
Table

0200

All original equipment manufacturers numbers, symbols, pictures, models and description used in this catalogue are for reference only, and it is not implied that any part listed is the product of these manufactures.
Tutti i nostri particolari non sono originali ma con essi intercambiabili. I riferimenti originali, le figure, i modelli sono esposti a semplice titolo indicativo. La nostra produzione riporta il nostro marchio.

Adattabile a : **MERCEDES**
Suitable To :

Models
CITARO
(CH 628.xxx)
NEW TRAVEGO
(CH 632.xxx)



All original equipment manufacturers' numbers, symbols, and description used in this catalogue are for reference only, and it is not implied that any part listed is the product of these manufactures. Tutti i nostri particolari non sono originali ma con essi intercambiabili. I riferimenti originali, le figure, i modelli sono esposti a semplice titolo indicativo. La nostra produzione riporta il nostro marchio.

Models

GO170 - 6 / 8,2 - 1,00

714.100-101-102



Fig.	CEI no.	Rif. MB	Description	Q.ty	Note	GO170-6/8-2-1,0				
23	111.204	387 262 1093	Elastic Ring	2		●				
24	119.112	389 262 0637	Synchronizer Ring	2	(A)	●				
24	119.226	389 262 3137	Synchronizer Ring	2	(A) LONG LIFE	●				
24	119.271	947 260 0545	Synchronizer Ring	2	(B)	●				
24	119.300	CEI 119300	Synchronizer Ring	2	(B) LONG LIFE	●				
25	154.303	389 262 2023	Sliding Sleeve	1	(A)	●				
25	154.443	M389 262 2023	Sliding Sleeve	1	(A) LONG LIFE	●				
25	154.417	945 262 5723	Sliding Sleeve	1	(B)	●				
25	154.462	M945 262 5723	Sliding Sleeve	1	(B) LONG LIFE	●				
26	141.165	947 265 0349	Slide Fork	2	BRASS	●				
26	141.221	M947 265 0349	Slide Fork	2	IRON	●				
27	145.972	389 262 4313	Gear 3rd Speed 40 T	1	(A)	●				
27	145.973	945 262 6417	Gear 3rd Speed 40 T	1	(B)	●				
28	137.204	007 981 5510	Needle Cage 92x100x49,5	1		●				
29	103.215	389 262 4605	Main Shaft	1		●				
30	137.204	007 981 5510	Needle Cage 92x100x49,5	1		●				
31	145.815	976 262 1612	Gear 2nd Speed 45 T	1		●				
32	109.351	945 262 4934	Synchronizer Cone	1	(A)	●				
32	109.746	945 262 6034	Synchronizer Cone	1	(B)	●				
33	111.205	387 262 0893	Elastic Ring	2		●				
34	119.161	389 262 0737	Synchronizer Ring	2	(A)	●				
34	119.225	389 262 3237	Synchronizer Ring	2	(A) LONG LIFE	●				
34	119.237	946 262 6137	Synchronizer Ring	2	(B)	●				
34	119.299	CEI 119299	Synchronizer Ring	2	(B) LONG LIFE	●				
35	157.631	389 262 5635	Synchronizer Hub	1		●				
36	154.304	389 262 2123	Sliding Sleeve	1	(A)	●				
36	154.444	M389 262 2123	Sliding Sleeve	1	(A) LONG LIFE	●				
36	154.418	945 262 5623	Sliding Sleeve	1	(B)	●				
36	154.459	M945 262 5623	Sliding Sleeve	1	(B) LONG LIFE	●				
37	109.350	945 262 4834	Synchronizer Cone	1	(A)	●				
37	109.747	945 262 5934	Synchronizer Cone	1	(B)	●				
38	141.165	947 265 0349	Slide Fork	2	BRASS	●				
38	141.221	M947 265 0349	Slide Fork	2	IRON	●				
39	244.038	389 262 3311	Gear 1st Speed 50 T	1		●				
40	137.198	021 981 9410	Needle Cage 85x93x45W	2		●				
41	117.440	389 262 2250	Bush	1		●				
42	244.039	389 262 2233	Reverse Gear 47 T	1		●				
43	154.224	389 262 1723	Sliding Sleeve	1	With 157.630	●				
43	154.223	389 262 1823	Sliding Sleeve	1	With 157.626	●				
44	157.630	389 262 4135	Synchronizer Hub	1	With 154.224	●				
44	157.626	389 262 4235	Synchronizer Hub	1	With 154.223	●				
45	141.160	945 265 0149	Slide Fork	2	BRASS	●				
46	130.581	012 981 3705	Bearing 65x140x13,5	1		●				
47	139.564	020 997 9947	Oil Seal 80x110x10	1		●				
48	139.563	023 997 8547	Oil Seal 80x100x12	1		●				

Notes

- (A) Up to gearbox 018182
(B) From gearbox 018183

Date

04 / 2011

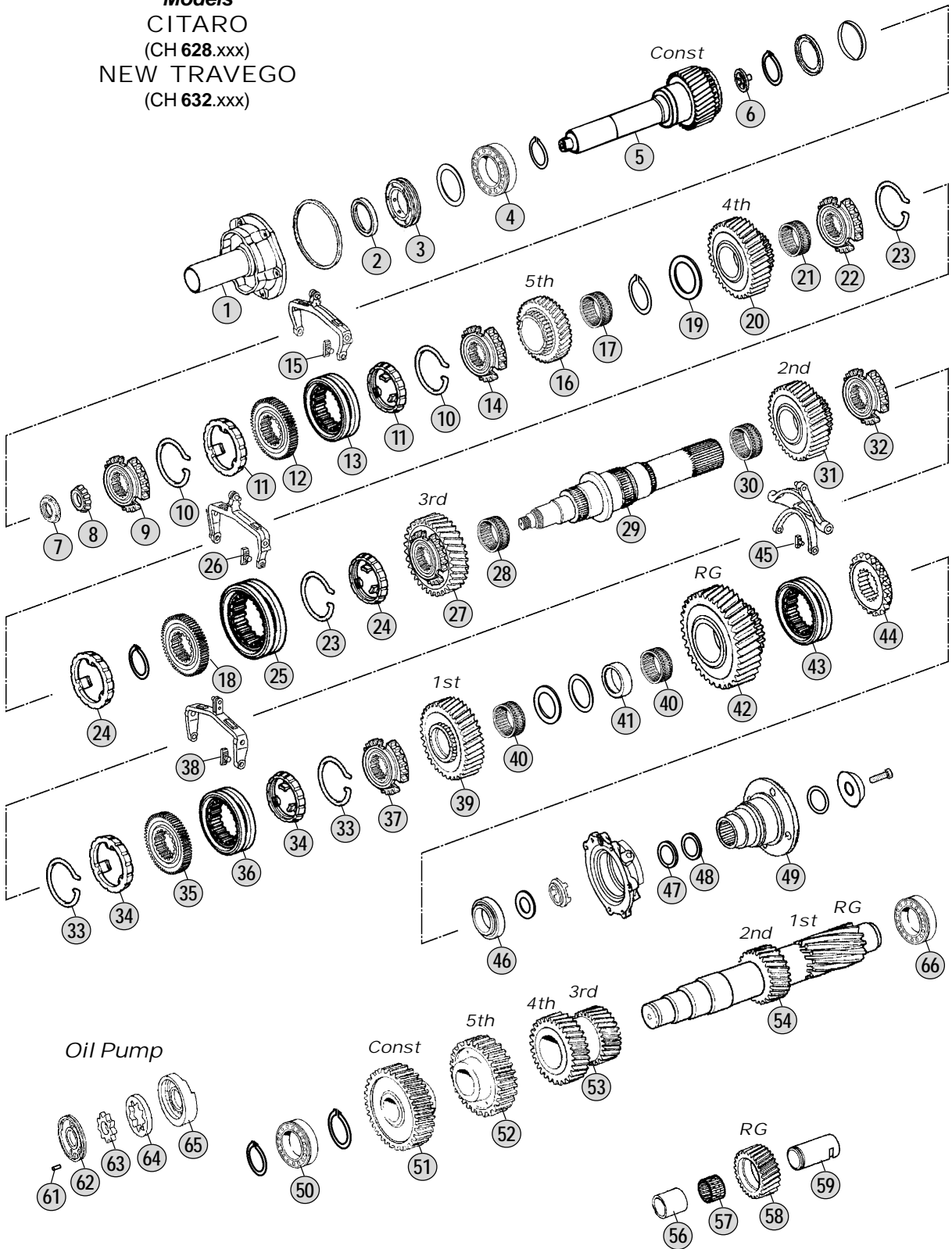
Table

0200

All original equipment manufacturers numbers, symbols, pictures, models and description used in this catalogue are for reference only, and it is not implied that any part listed is the product of these manufactures.
Tutti i nostri particolari non sono originali ma con essi intercambiabili. I riferimenti originali, le figure, i modelli sono esposti a semplice titolo indicativo. La nostra produzione riporta il nostro marchio.

Adattabile a : **MERCEDES**
Suitable To :

Models
CITARO
(CH 628.xxx)
NEW TRAVEGO
(CH 632.xxx)



All original equipment manufacturers' numbers, symbols, and description used in this catalogue are for reference only, and it is not implied that any part listed is the product of these manufactures. Tutti i nostri particolari non sono originali ma con essi intercambiabili. I riferimenti originali, le figure, i modelli sono esposti a semplice titolo indicativo. La nostra produzione riporta il nostro marchio.

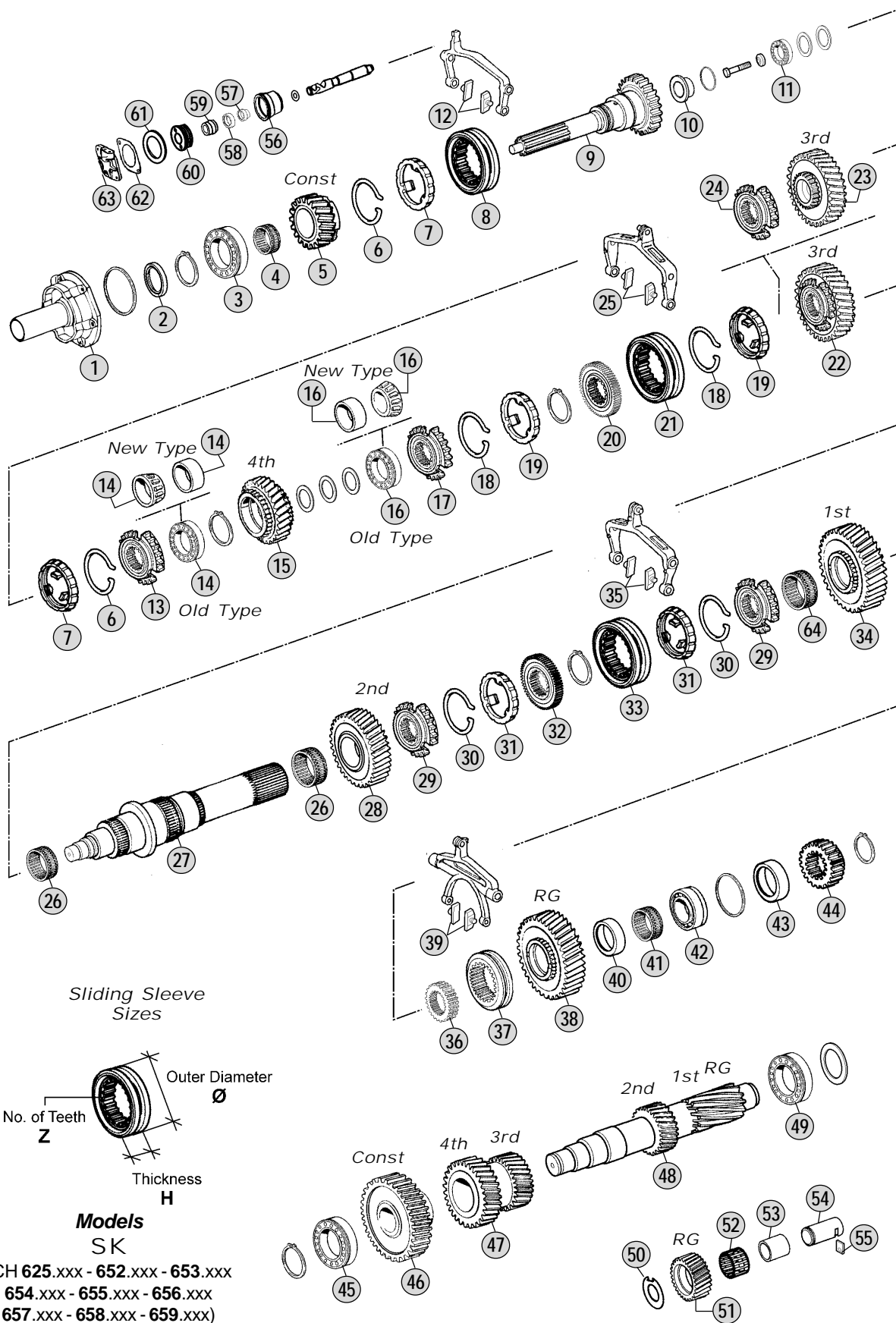
Models

GO170 - 6 / 8,2 - 1,00

714.100-101-102

Adattabile a : **MERCEDES**
 Suitable To :

Modelli Cambio/ Gearbox Models
G180 (16 Speeds)



All original equipment manufacturers numbers, symbols, pictures, models and description used in this catalogue are for reference only, and it is not implied that any part listed is the product of these manufactures. Tutti i nostri particolari non sono originali ma con essi intercambiabili. I riferimenti originali, le figure, i modelli sono esposti a semplice titolo indicativo. La nostra produzione riporta il nostro marchio.

Models

G180 - 16 / 11,9 - 0,88	714.700(EPS)-703-780-781-789-794-795(EPS)-796-797-798-799
G180 - 16 / 14,0 - 1,00	714.706(EPS)-707



Fig.	CEI no.	Rif. MB	Description	Q.ty	Note	G180-16/17,9-0,88	G180-16/14,0-1,0			
1	135.131	389 261 3318	Front Cover	1		●	●			
2	139.549	024 997 3047	Seal Ring 52x68x8 mm	1		●	●			
3	130.550	011 981 1305	Bearing 75x140x34,3	1		●	●			
4	137.186	009 981 1610	Needle Cage K85x93x37ZW	1		●	●			
5	145.608	389 262 2910	Constant Gear 26 T	1	(ABC)	●				
5	145.558	389 262 7710	Constant Gear 26 T	1	(DEF)	●				
5	145.607	389 262 2810	Constant Gear 22 T	1	(ABC)		●			
5	145.579	389 262 2210	Constant Gear 22 T	1	(DEF)		●			
6	111.204	387 262 1093	Elastic Ring	2		●	●			
7	119.112	389 262 0637	Synchronizer Ring	2		●	●			
7	119.226	389 262 3137	Synchronizer Ring	2	LONG LIFE	●	●			
8	154.215	387 262 1523	Sliding Sleeve	1	(A) D.198-H33-Z60	●	●			
8	154.430	M387 262 1523	Sliding Sleeve	1	(A) LONG LIFE	●	●			
8	154.214	389 262 3023	Sliding Sleeve	1	(BCDEF) D.198-H31-Z60	●	●			
8	154.407	M389 262 3023	Sliding Sleeve	1	(BCDEF) LONG LIFE	●	●			
9	102.528	389 262 1201	Input Shaft	1	(ABC) Repl.by 389 262 3701	●	●			
9	102.270	389 262 3701	Input Shaft 60 T	1	(ABC)	●	●			
9	102.271	389 262 2901	Input Shaft 60 T	1	(DEF)	●	●			
10	139.554	018 997 7147	Oil Deflector	1		●	●			
11	130.551	008 981 2805	Bearing 40x90,9x32	1	Oem	●	●			
11	530.551	008 981 2805	Bearing 40x90,9x32	1	A.Market	●	●			
12	141.162	389 265 2449	Slide Fork	2	BRASS	●	●			
12	141.219	M389 265 2449	Slide Fork	2	IRON	●	●			
13	109.131	389 262 5634	Synchronizer Cone	1		●	●			
14	130.557	011 981 7605	Bearing 50x90x32	1	Oem Old Type	●	●			
14	530.557	011 981 7605	Bearing 50x90x32	1	A.Market Old Type	●	●			
14	130.561	015 981 7605	Bearing 50x85x41	1	New Type	●	●			
14	130.555	002 981 1680	Ring D.90	1	New Type	●	●			
15	145.613	389 262 1110	Gear 4th Speed 24 T	1	(A)	●	●			
15	145.580	389 262 3710	Gear 4th Speed 24 T	1	(BC)	●	●			
15	145.581	389 262 5510	Gear 4th Speed 24 T	1	(DE)	●	●			
15	145.582	389 262 5610	Gear 4th Speed 24 T	1	(F)	●	●			
16	130.546	011 981 7705	Bearing 55x90x24	1	Old Type	●	●			
16	130.548	002 981 1580	Ring D.90	1	New Type	●	●			
16	130.547	CEI 130547	Bearing 55x24	1	New Type	●	●			
17	109.131	389 262 5634	Synchronizer Cone	1	(ABCDE)	●	●			
17	109.189	945 262 0534	Synchronizer Cone	2	(F)	●	●			
18	111.204	387 262 1093	Elastic Ring	2	(ABCDE)	●	●			
18	111.205	387 262 0893	Elastic Ring	2	(F)	●	●			
19	119.112	389 262 0637	Synchronizer Ring	2	(ABCDE)	●	●			
19	119.226	389 262 3137	Synchronizer Ring	2	(ABCDE) LONG LIFE	●	●			
19	119.161	389 262 0737	Synchronizer Ring	2	(F)	●	●			
19	119.225	389 262 3237	Synchronizer Ring	2	(F) LONG LIFE	●	●			
20	157.214	389 262 0635	Synchronizer Hub	2	(ABCDE)	●	●			
20	157.215	389 262 1535	Synchronizer Hub	2	(F)	●	●			

Notes

(A) Up to gearbox 058288 (B) From gearbox 058289 (C) Up to gearbox 182425
 (D) From gearbox 182426 (E) Up to gearbox 297456 (F) From gearbox 297457
 (G) Up to gearbox 182425 - See GP section (table 0215) for the coupling
 (H) From gearbox 182426 - See GP section (table 0215) for the coupling
 (L) Up to 06/96 (M) From 07/96

Date

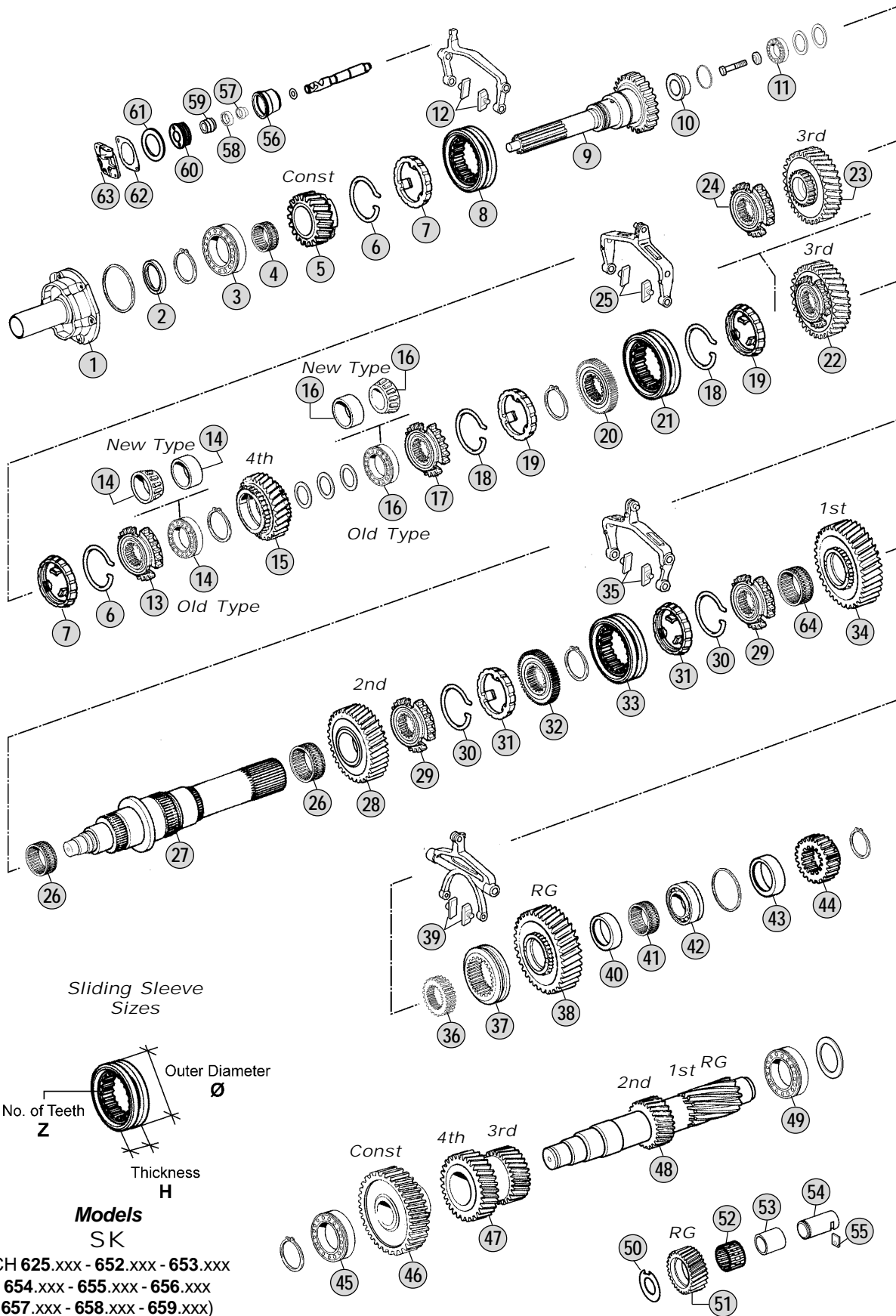
04 / 2011

Table

0210

Adattabile a : **MERCEDES**
 Suitable To :

Modelli Cambio/ Gearbox Models
G180 (16 Speeds)



All original equipment manufacturers numbers, symbols, pictures, models and description used in this catalogue are for reference only, and it is not implied that any part listed is the product of these manufactures. Tutti i nostri particolari non sono originali ma con essi intercambiabili. I riferimenti originali, le figure, i modelli sono esposti a semplice titolo indicativo. La nostra produzione riporta il nostro marchio.

Models

G180 - 16 / 11,9 - 0,88	714.700(EPS)-703-780-781-789-794-795(EPS)-796-797-798-799
G180 - 16 / 14,0 - 1,00	714.706(EPS)-707



All original equipment manufacturers numbers, symbols, pictures, models and description used in this catalogue are for reference only, and it is not implied that any part listed is the product of these manufactures.
Tutti i nostri particolari non sono originali ma con essi intercambiabili. I riferimenti originali, le figure, i modelli sono esposti a semplice titolo indicativo. La nostra produzione riporta il nostro marchio.

Fig.	CEI no.	Rif. MB	Description	Q.ty	Note	G180-16/17, 9-0, 88	G180-16/14, 0-1, 0			
21	154.215	387 262 1523	Sliding Sleeve	1	(A)	D.198-H33-Z60	●	●		
21	154.430	M387 262 1523	Sliding Sleeve	2	(A)	LONG LIFE	●	●		
21	154.214	389 262 3023	Sliding Sleeve	1	(BCDE)	D.198-H31-Z60	●	●		
21	154.407	M389 262 3023	Sliding Sleeve	1	(BCDE)	LONG LIFE	●	●		
21	154.213	389 262 2923	Sliding Sleeve	1	(F)	D.218-H31-Z66	●	●		
21	154.405	M389 262 2923	Sliding Sleeve	2	(F)	LONG LIFE	●	●		
22	145.612	389 262 0313	Gear 3rd Speed 28 T	1	(A)		●	●		
22	196.271	389 262 1413	Gear 3rd Speed 28 T	1	(BCDE)		●	●		
23	145.583	389 262 2113	Gear 3rd Speed 28 T	1	(F)		●	●		
24	109.189	945 262 0534	Synchronizer Cone	1	(F)		●	●		
25	141.161	389 265 2349	Slide Fork	2		BRASS	●	●		
25	141.220	M389 265 2349	Slide Fork	2		IRON	●	●		
26	137.177	018 981 6610	Needle Cage K85x93x53ZWD	2			●	●		
27	103.148	389 262 1505	Main Shaft	1			●	●		
28	145.611	389 262 0312	Gear 2nd Speed 32 T	1	(A)		●	●		
28	145.610	389 262 1312	Gear 2nd Speed 32 T	1	(BCDEF)		●	●		
29	109.187	945 262 0434	Synchronizer Cone	2			●	●		
30	111.205	387 262 0893	Elastic Ring	2			●	●		
31	119.161	389 262 0737	Synchronizer Ring	2			●	●		
31	119.225	389 262 3237	Synchronizer Ring	2		LONG LIFE	●	●		
32	157.213	389 262 0035	Synchronizer Hub	1			●	●		
33	154.216	387 262 0623	Sliding Sleeve	1	(A)	D.218-H33-Z66	●	●		
33	154.431	M387 262 0623	Sliding Sleeve	1	(A)	LONG LIFE	●	●		
33	154.213	389 262 2923	Sliding Sleeve	1	(BCDEF)	D.218-H31-Z66	●	●		
33	154.405	M389 262 2923	Sliding Sleeve	2	(BCDEF)	LONG LIFE	●	●		
34	145.609	389 262 0411	Gear 1st Speed 38 T	1	(A)		●	●		
34	145.606	389 262 1611	Gear 1st Speed 38 T	1	(BCDEF)		●	●		
35	141.161	389 265 2349	Slide Fork	2		BRASS	●	●		
35	141.220	M389 265 2349	Slide Fork	2		IRON	●	●		
36	157.603	389 262 0135	Synchronizer Hub	1			●	●		
37	154.224	389 262 1723	Sliding Sleeve	1	Excl.714.700-706-795		●			
37	154.223	389 262 1823	Sliding Sleeve	1	Only 714.700-706-795		●			
38	147.159	389 262 0333	Reverse Gear 34 T	1	Excl.714.700-706-795		●	●		
38	147.160	389 262 1033	Reverse Gear 34 T	1	Only 714.700-706-795		●	●		
39	141.160	945 265 0149	Slide Fork	2			●	●		
40	177.327	389 262 2550	Bush	1			●	●		
41	137.187	009 981 1510	Needle Cage K78x86x35ZW	1			●	●		
42	130.552	014 981 6105	Bearing 60x130x30	1			●	●		
43	117.326	389 262 0152	Spacer Th.20,3(74x60) mm	1	(G)		●	●		
43	117.325	389 262 3754	Spacer Th.18(74x60) mm	1	(H)		●	●		
44	157.600	389 262 0409	Sun Gear 25 T	1	(G)		●	●		
44	157.212	389 262 0209	Sun Gear 25 T	1	(H)		●	●		
45	130.554	014 981 1405	Bearing 50,8x100x35	1			●	●		
46	146.502	389 263 0410	Constant Gear 23 T	1	(ABC)		●			
46	146.478	389 263 1110	Constant Gear 23 T	1	(DEF)		●			

Notes

(A) Up to gearbox 058288 (B) From gearbox 058289 (C) Up to gearbox 182425
 (D) From gearbox 182426 (E) Up to gearbox 297456 (F) From gearbox 297457
 (G) Up to gearbox 182425 - See GP section (table 0215) for the coupling
 (H) From gearbox 182426 - See GP section (table 0215) for the coupling
 (L) Up to 06/96 (M) From 07/96

Date

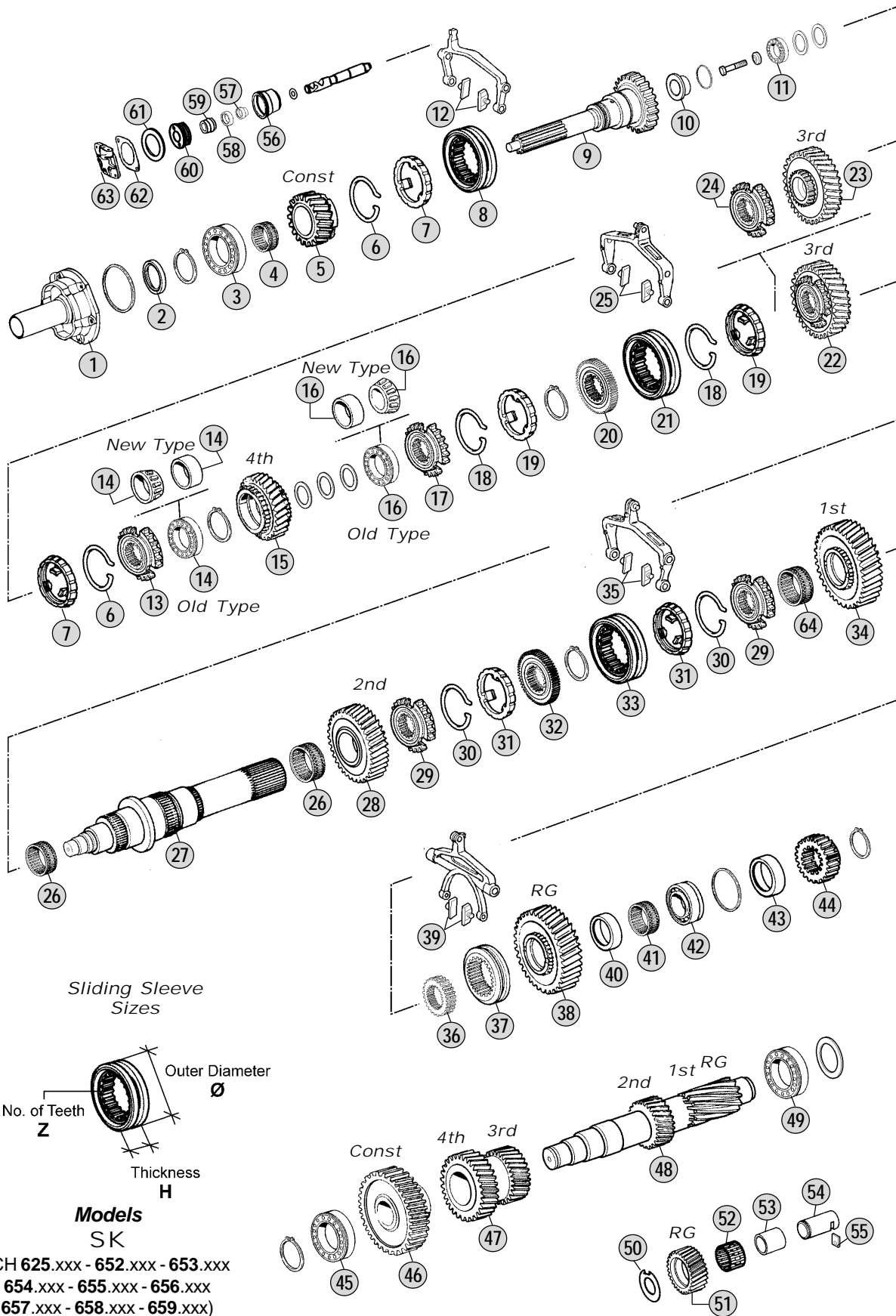
04 / 2011

Table

0210

Adattabile a : **MERCEDES**
 Suitable To :

Modelli Cambio/ Gearbox Models
G180 (16 Speeds)



All original equipment manufacturers numbers, symbols, pictures, models and description used in this catalogue are for reference only, and it is not implied that any part listed is the product of these manufactures.
 Tutti i nostri particolari non sono originali ma con essi intercambiabili. I riferimenti originali, le figure, i modelli sono esposti a semplice titolo indicativo. La nostra produzione riporta il nostro marchio.

Models

G180 - 16 / 11,9 - 0,88	714.700(EPS)-703-780-781-789-794-795(EPS)-796-797-798-799
G180 - 16 / 14,0 - 1,00	714.706(EPS)-707



Fig.	CEI no.	Rif. MB	Description	Q.ty	Note	G180-16/17,9-0,88	G180-16/14,0-1,0			
46	146.503	389 263 0910	Constant Gear 27 T	1	(ABC)		●			
46	146.477	389 263 1210	Constant Gear 27 T	1	(DEF)		●			
47	143.107	389 263 0313	Double Gear 4th/3rd Sp.-25/21 T	1	(A)	●	●			
47	143.099	389 263 1013	Double Gear 4th/3rd Sp.-25/21 T	1	(BC)	●	●			
47	143.100	389 263 1413	Double Gear 4th/3rd Sp.-25/21 T	1	(DEF)	●	●			
48	105.130	389 263 0302	Countershaft 17/14 T	1	(A)	●	●			
48	105.131	389 263 0802	Countershaft 17/14 T	1	(BCDEF)	●	●			
49	130.553	016 981 1205	Bearing 60x130x33,8	1		●	●			
50	269.278	389 263 0062	Spacer Th.1,00(136,8x130) mm	1	(L)	●	●			
51	147.279	389 263 0331	Reverse Gear 18 T	1	(L)	●	●			
51	147.158	389 263 1531	Reverse Gear 18 T	1	(M)	●	●			
52	137.181	012 981 8910	Needle Cage K42x50x51ZW	1		●	●			
53	117.414	389 263 0050	Bush Th.19(42x30) mm	1	(L)	●	●			
53	117.324	389 263 0850	Bush Th.18(74x60) mm	1	(M)	●	●			
54	107.239	389 263 0430	Reverse Shaft	1	Old Style	●	●			
54	107.174	976 263 0030	Reverse Shaft	1	New Style	●	●			
55	188.245	389 263 0041	Key	1	Old Style	●	●			
55	188.236	945 263 0041	Key	1	New Style	●	●			
56	132.068	389 267 3319	Cylinder	1		●	●			
57	139.834	000 267 0197	Oil Seal 22x32x8	1		●	●			
58	117.412	387 267 0650	Bush Th.8(34x22) mm	1		●	●			
59	139.813	006 997 6447	Oil Seal 41x48x11,5	1		●	●			
60	189.680	945 267 0218	Piston	1		●	●			
61	139.596	007 997 4248	O Ring 63x3	1		●	●			
62	139.818	387 263 3352	Gasket Th.0,20 mm	1		●	●			
62	169.844	387 263 3452	Gasket Th.0,40 mm	1		●	●			
62	139.819	387 263 3552	Gasket Th.0,60 mm	1		●	●			
62	139.820	387 263 3752	Gasket Th.1,00 mm	1		●	●			
63	132.067	389 267 2819	Cylinder	1		●	●			
64	137.182	008 981 8310	Needle Cage 75x83x55W	1		●	●			

Notes

(A) Up to gearbox 058288 (B) From gearbox 058289 (C) Up to gearbox 182425
 (D) From gearbox 182426 (E) Up to gearbox 297456 (F) From gearbox 297457
 (G) Up to gearbox 182425 - See GP section (table 0215) for the coupling
 (H) From gearbox 182426 - See GP section (table 0215) for the coupling
 (L) Up to 06/96 (M) From 07/96

Date

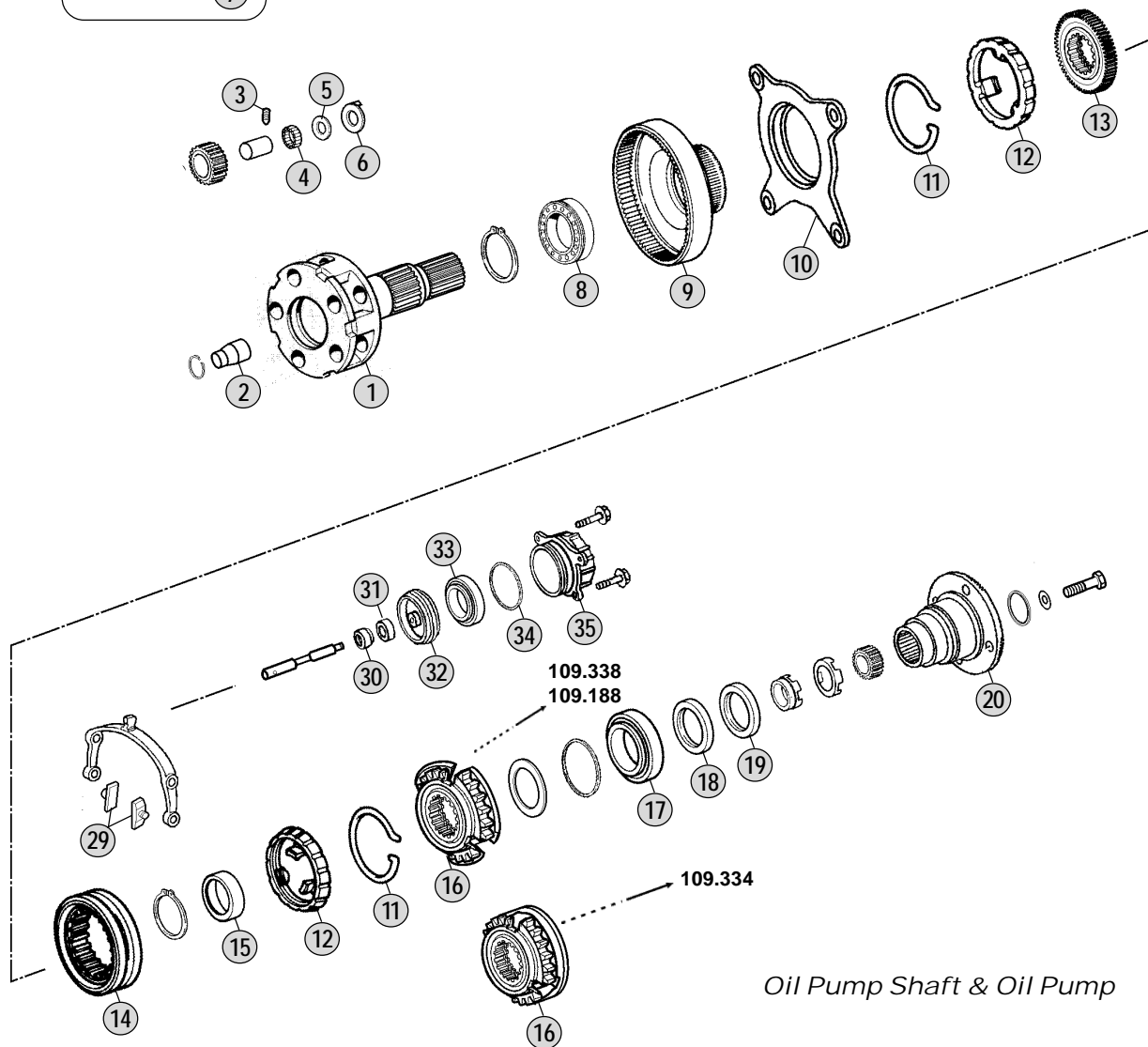
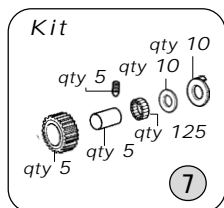
04 / 2011

Table

0210

Adattabile a : **MERCEDES**
 Suitable To :

Modelli Cambio/ Gearbox Models
G180 (16 Speeds)



Models
SK

(CH 625.xxx - 652.xxx - 653.xxx
 654.xxx - 655.xxx - 656.xxx
 657.xxx - 658.xxx - 659.xxx)

Models

G180 - 16 / 11,9 - 0,88 **714.700(EPs)-703-780-781-789-794-795(EPs)-796-797-798-799**
 G180 - 16 / 14,0 - 1,00 **714.706(EPs)-707**

All original equipment manufacturers numbers, symbols and description used in this catalogue are for reference only, and it is not implied that any part listed is the product of these manufactures.
 Tutti i nostri particolari non sono originali ma con essi intercambiabili. I riferimenti originali, le figure, i modelli sono esposti a semplice titolo indicativo. La nostra produzione riporta il nostro marchio.

Fig.	CEI no.	Rif. MB	Description	Q.ty	Note	G180-16/17, 9-0,88	G180-16/14, 0-1,0			
1	190.336	389 260 0661	Planetary Carrier	1	(G)	●	●			
1	190.335	389 260 8961	Planetary Carrier	1	(H)	●	●			
2	188.180	389 269 0134	Oil Tube	1		●	●			
3	187.609	000914 006109	Stud 6x14 mm	5		●	●			
4	171.056	001 981 2887	Needle 5x36,7	125	(G)	●	●			
4	171.057	000 981 4186	Needle 5x39,8	125	(H)	●	●			
5	169.801	389 262 0162	Spacer	10		●	●			
6	169.802	389 262 0262	Thrust Washer	10		●	●			
7	198.884	389 260 0297	Repair Kit	1	(G)	●	●			
7	198.883	389 260 0497	Repair Kit	1	(H)	●	●			
8	130.540	008 981 1325	Bearing 90x130x14	1		●	●			
9	123.228	389 262 0208	Crown Gear 80 T	1		●	●			
10	198.882	389 260 0936	Synchronizer Flange	1	(P)	●	●			
10	198.879	389 260 2036	Synchronizer Flange	1	(Q)	●	●			
11	111.206	389 262 0293	Elastic Ring	2		●	●			
12	119.160	389 262 0537	Synchronizer Ring	2		●	●			
12	119.250	389 262 3337	Synchronizer Ring	2	LONG LIFE	●	●			
13	155.206	389 262 0535	Synchronizer Hub	1	(P) Outer Teeth Z 72	●	●			
13	155.204	389 262 2035	Synchronizer Hub	1	(Q) Outer Teeth Z 73	●	●			
14	154.222	389 262 1523	Sliding Sleeve	1	(P) Inner Teeth Z 72	●	●			
14	154.432	M389 262 1523	Sliding Sleeve	1	(P) LONG LIFE Z 72	●	●			
14	154.217	945 262 6623	Sliding Sleeve	1	(Q) Inner Teeth Z 73	●	●			
14	154.433	M945 262 6623	Sliding Sleeve	1	(Q) LONG LIFE Z 73	●	●			
15	117.322	389 262 0251	Bush	1		●	●			
16	109.338	389 262 2334	Synchronizer Cone	1	(P)	●	●			
16	109.188	389 262 4034	Synchronizer Cone	1	(Q)	●	●			
16	109.334	389 262 9134	Synchronizer Cone	1	(Q)	●	●			
17	130.539	004 981 9325	Bearing 85x150x28	1		●	●			
18	139.551	013 997 7247	Oil Seal 95x115x13	1		●	●			
19	139.552	013 997 7347	Oil Seal 95x115x13	1		●	●			
20	197.079	389 262 0445	Output Flange D.180 mm	1		●	●			
21	101.123	389 269 1210	Oil Pump Shaft	1		●	●			
22	280.587	389 260 0690	Oil Pump	1	Old Type-Assembly	●	●			
23	130.538	004 981 9225	Bearing 45x75x16	1		●	●			
24	189.607	389 269 2601	Oil Pump Cover	1	New Type-Disassembled	●	●			
25	111.208	029 997 5748	O Ring	1	New Type-Disassembled	●	●			
26	189.606	389 269 1406	Oil Pump Gear	1	New Type-Disassembled	●	●			
27	189.605	389 269 0706	Oil Pump Hub	1	New Type-Disassembled	●	●			
28	189.604	947 269 1001	Oil Pump Housing	1	New Type-Disassembled	●	●			
29	141.162	389 265 2449	Slide Fork	2	BRASS	●	●			
29	141.219	M389 265 2449	Slide Fork	1	IRON	●	●			
30	139.834	000 267 0197	Oil Seal 22x32x8	1		●	●			
31	117.412	387 267 0650	Bush Th.8(34x22) mm	1		●	●			
32	132.066	389 267 1018	Cylinder	1		●	●			
33	139.817	024 997 8347	Oil Seal 77x90x17	1		●	●			

Notes

(G) Up to gearbox 182425 - See Sun gear (table 0210) for the coupling
(H) From gearbox 182426 - See Sun gear (table 0210) for the coupling
(P) Up to gearbox 201817
(Q) From gearbox 201818

Date

04 / 2011

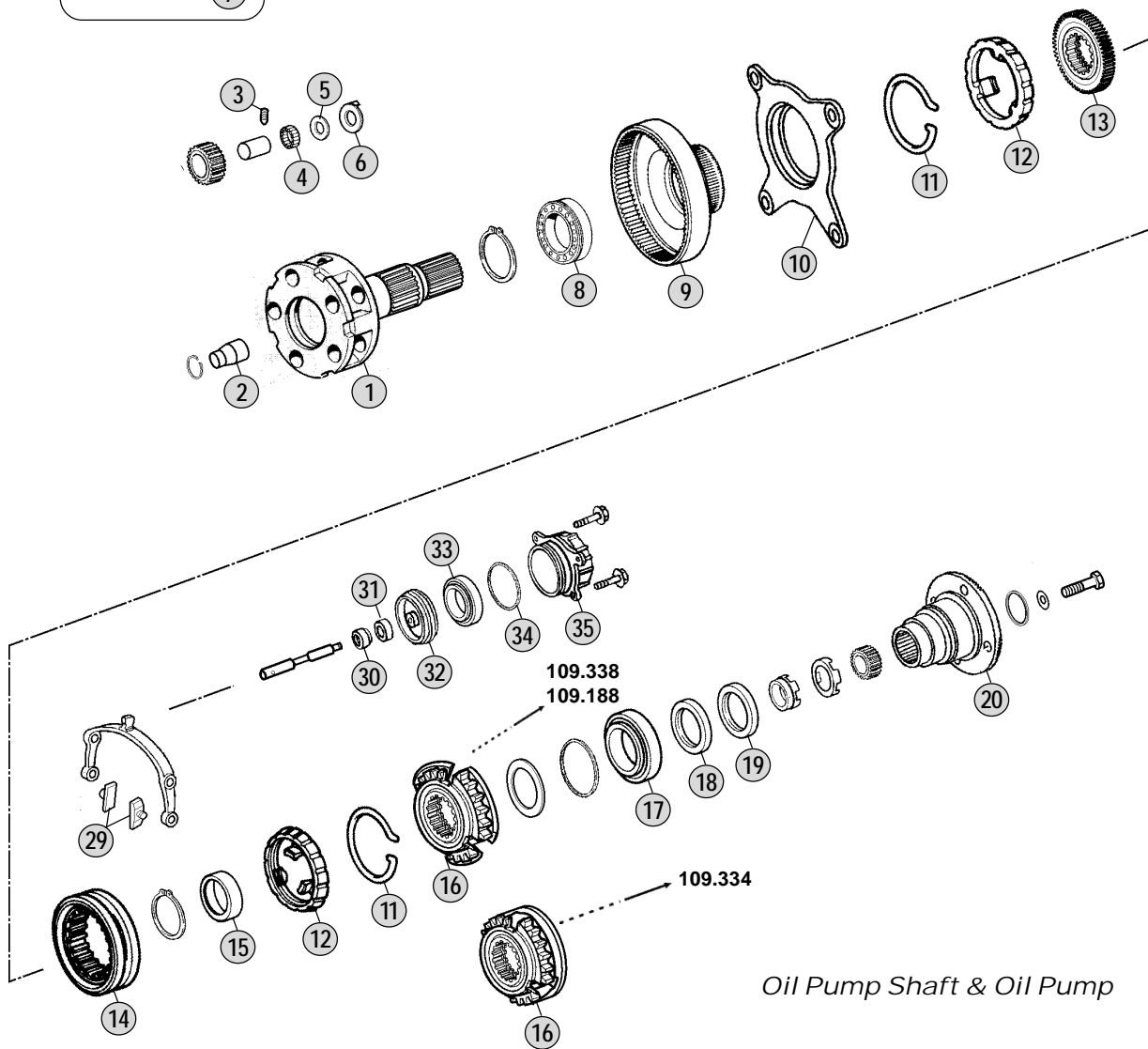
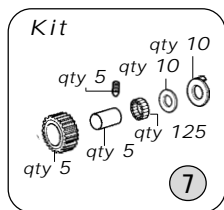
Table

0215

All original equipment manufacturers numbers, symbols, pictures, models and description used in this catalogue are for reference only, and it is not implied that any part listed is the product of these manufactures.
Tutti i nostri particolari non sono originali ma con essi intercambiabili. I riferimenti originali, le figure, i modelli sono esposti a semplice titolo indicativo. La nostra produzione riporta il nostro marchio.

Adattabile a : **MERCEDES**
 Suitable To :

Modelli Cambio/ Gearbox Models
G180 (16 Speeds)



Models
SK

(CH 625.xxx - 652.xxx - 653.xxx
 654.xxx - 655.xxx - 656.xxx
 657.xxx - 658.xxx - 659.xxx)

Models

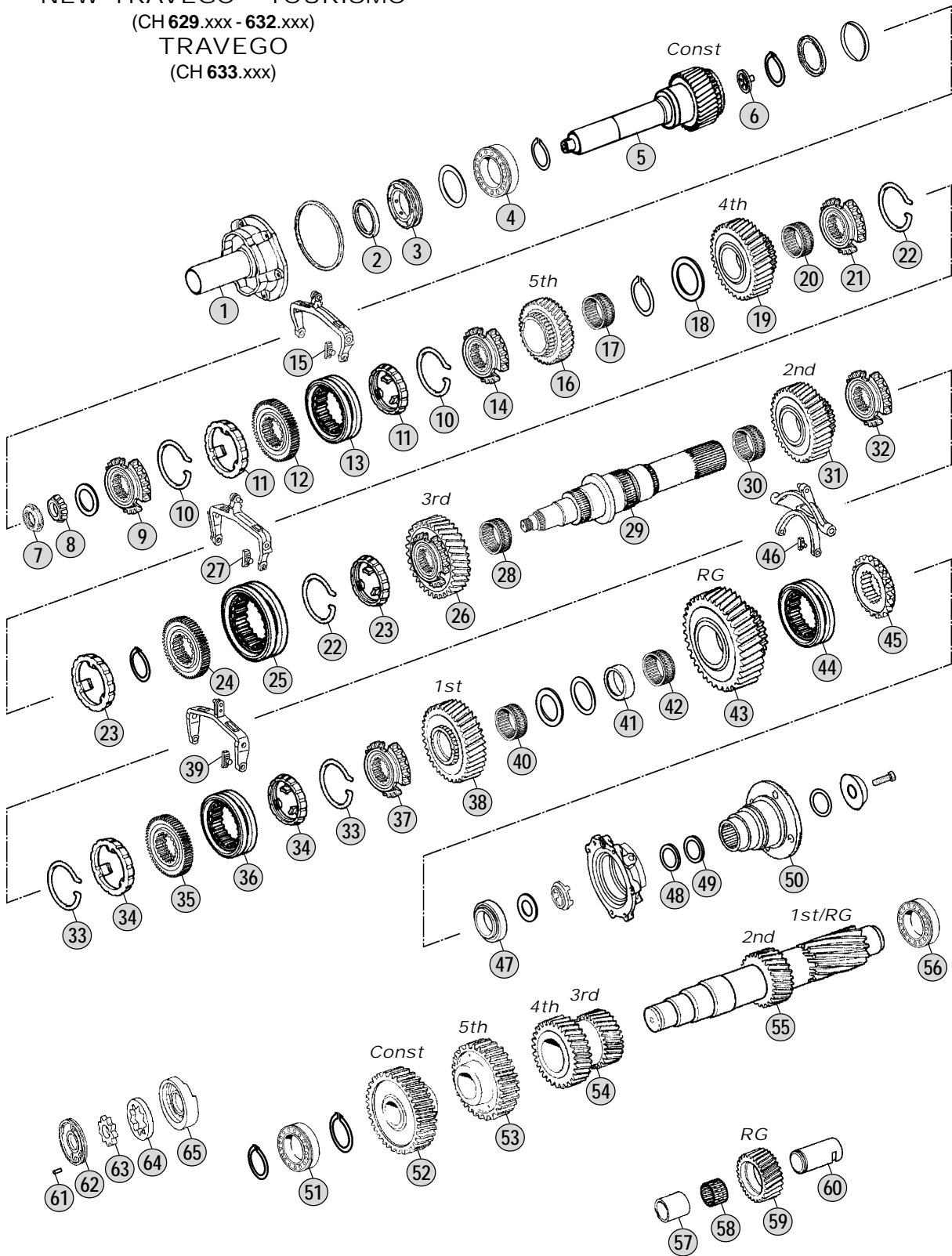
G180 - 16 / 11,9 - 0,88 **714.700**(EPS)-703-780-781-789-794-795(EPS)-796-797-798-799
 G180 - 16 / 14,0 - 1,00 **714.706**(EPS)-707



All original equipment manufacturers numbers, symbols and description used in this catalogue are for reference only, and it is not implied that any part listed is the product of these manufactures.
 Tutti i nostri particolari non sono originali ma con essi intercambiabili. I riferimenti originali, le figure, i modelli sono esposti a semplice titolo indicativo. La nostra produzione riporta il nostro marchio.

Adattabile a : **MERCEDES**
Suitable To :

Models
NEW TRAVEGO - TOURISMO
(CH 629.xxx - 632.xxx)
TRAVEGO
(CH 633.xxx)



All original equipment manufacturers' numbers, symbols, and description used in this catalogue are for reference only, and it is not implied that any part listed is the product of these manufacturers. Tutti i nostri particolari non sono originali ma con essi intercambiabili. I riferimenti originali, le figure, i modelli sono esposti a semplice titolo indicativo. La nostra produzione riporta il nostro marchio.

Models

GO190 - 6 / 8,2 - 1,00

714.120-124



Fig.	CEI no.	Rif. MB	Description	Q.ty	Note	GO190-6/8-2-1,0				
1	135.204	389 261 6218	Front Cover	1		●				
1	135.205	389 261 6618	Front Cover	1		●				
1	135.202	656 261 0018	Front Cover	1		●				
2	139.556	019 997 0547	Oil Seal 56x72x8	1		●				
3	139.555	389 261 0865	Diaphragm	1		●				
4	130.550	011 981 1305	Bearing 75x140x34,3	1		●				
5	102.462	389 262 8102	Input Shaft 26 T	1		●				
5	102.460	389 262 7902	Input Shaft 26 T	1		●				
5	102.502	655 262 0802	Input Shaft 26 T	1		●				
6	139.749	976 269 0034	Oil Collector	1		●				
7	187.611	945 990 0050	Nut M30x1,5	1		●				
8	130.558	015 981 1605	Bearing 39,65x82,3x41	1		●				
9	109.741	389 262 9734	Synchronizer Cone	1	(A)	●				
9	109.783	945 262 7234	Synchronizer Cone	1	(B)	●				
10	111.204	387 262 1093	Elastic Ring	2		●				
11	119.112	389 262 0637	Synchronizer Ring	2	(A)	●				
11	119.226	389 262 3137	Synchronizer Ring	2	(A) LONG LIFE	●				
11	119.271	947 260 0545	Synchronizer Ring	2	(B)	●				
11	119.300	CEI 119300	Synchronizer Ring	2	(B) LONG LIFE	●				
12	155.245	389 262 5335	Synchronizer Hub	1		●				
13	154.221	945 262 0323	Sliding Sleeve	1	(A)	●				
13	154.408	M945 262 0323	Sliding Sleeve	1	(A) LONG LIFE	●				
13	154.399	945 262 6823	Sliding Sleeve	1	(B)	●				
13	154.457	M945 262 6823	Sliding Sleeve	1	(B) LONG LIFE	●				
14	109.743	389 262 9834	Synchronizer Cone	1	(A)	●				
14	109.744	945 262 7134	Synchronizer Cone	1	(B)	●				
15	141.165	947 265 0349	Slide Fork	2	BRASS	●				
15	141.221	M947 265 0349	Slide Fork	2	IRON	●				
16	244.037	389 262 1615	Gear 5th Speed 30 T	1		●				
17	137.356	019 981 6010	Needle Cage 60x68x54	1		●				
18	269.375	389 262 1862	Washer	1		●				
19	145.569	389 262 0914	Gear 4th Speed 35 T	1		●				
20	137.187	009 981 1510	Needle Cage K78x86x35ZW	1		●				
21	109.349	945 262 5034	Synchronizer Cone	1	(A)	●				
21	109.745	945 262 6134	Synchronizer Cone	1	(B)	●				
22	111.204	387 262 1093	Elastic Ring	2		●				
23	119.112	389 262 0637	Synchronizer Ring	2	(A)	●				
23	119.226	389 262 3137	Synchronizer Ring	2	(A) LONG LIFE	●				
23	119.271	947 260 0545	Synchronizer Ring	2	(B)	●				
23	119.300	CEI 119300	Synchronizer Ring	2	(B) LONG LIFE	●				
24	157.624	389 262 4435	Synchronizer Hub	1		●				
25	154.303	389 262 2023	Sliding Sleeve	1	(A)	●				
25	154.443	M389 262 2023	Sliding Sleeve	1	(A) LONG LIFE	●				
25	154.417	945 262 5723	Sliding Sleeve	1	(B)	●				
25	154.462	M945 262 5723	Sliding Sleeve	1	(B) LONG LIFE	●				

Notes

(A - B) To be coupled together

Date

04 / 2011

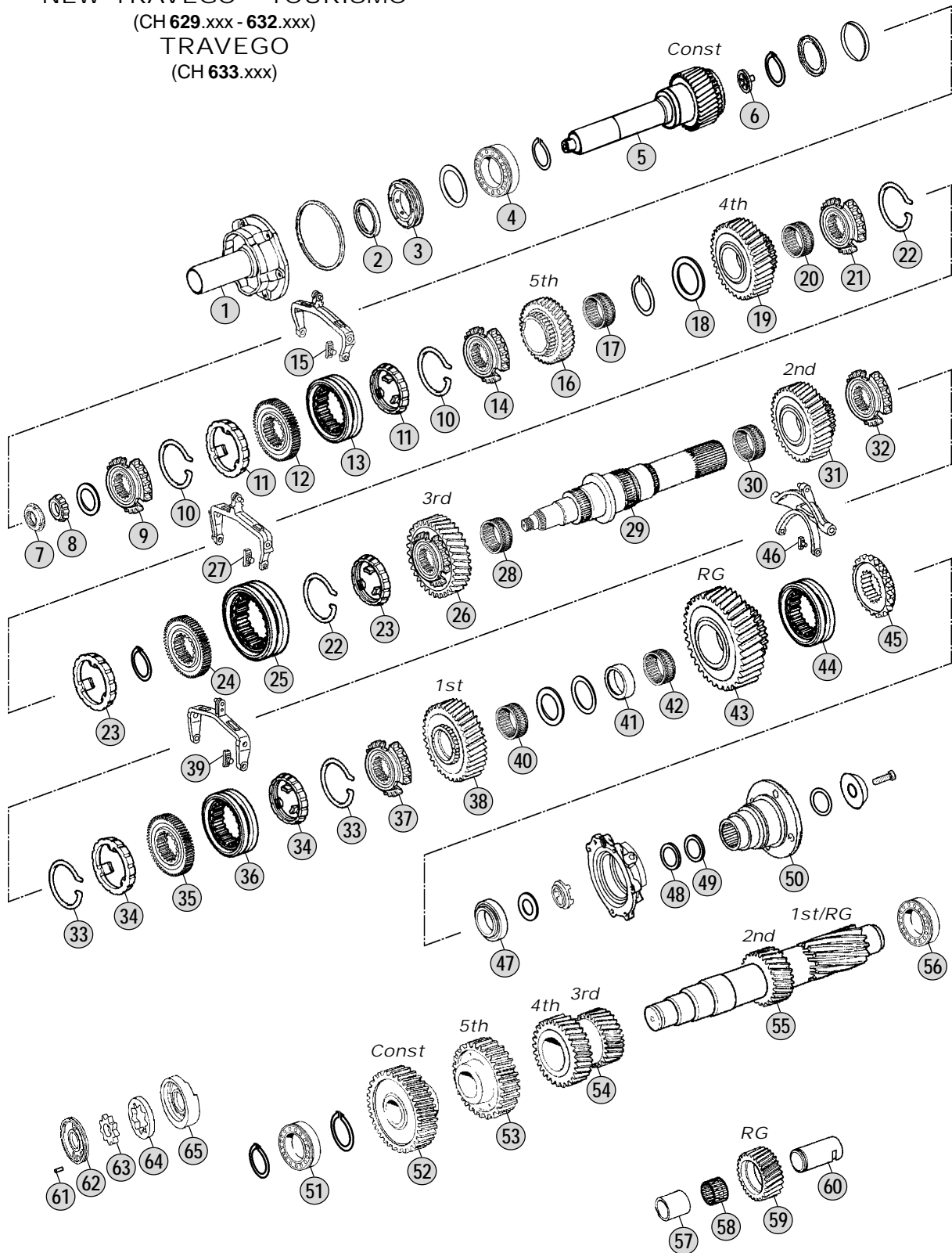
Table

0220

All original equipment manufacturers numbers, symbols, pictures, models and description used in this catalogue are for reference only, and it is not implied that any part listed is the product of these manufactures.
Tutti i nostri particolari non sono originali ma con essi intercambiabili. I riferimenti originali, le figure, i modelli sono esposti a semplice titolo indicativo. La nostra produzione riporta il nostro marchio.

Adattabile a : **MERCEDES**
Suitable To :

Models
NEW TRAVEGO - TOURISMO
(CH 629.xxx - 632.xxx)
TRAVEGO
(CH 633.xxx)



All original equipment manufacturers' numbers, symbols, and description used in this catalogue are for reference only, and it is not implied that any part listed is the product of these manufacturers. Tutti i nostri particolari non sono originali ma con essi intercambiabili. I riferimenti originali, le figure, i modelli sono esposti a semplice titolo indicativo. La nostra produzione riporta il nostro marchio.

Models

GO190 - 6 / 8,2 - 1,00

714.120-124



Fig.	CEI no.	Rif. MB	Description	Q.ty	Note	GO190-6/8-2-1,0				
26	145.972	389 262 4313	Gear 3rd Speed 40 T	1	(A)	●				
26	145.973	945 262 6417	Gear 3rd Speed 40 T	1	(B)	●				
27	141.165	947 265 0349	Slide Fork	2	BRASS	●				
27	141.221	M947 265 0349	Slide Fork	2	IRON	●				
28	137.204	007 981 5510	Needle Cage 92x100x49,5	1		●				
29	103.215	389 262 4605	Main Shaft	1		●				
30	137.204	007 981 5510	Needle Cage 92x100x49,5	1		●				
31	145.815	976 262 1612	Gear 2nd Speed 45 T	1		●				
32	109.351	945 262 4934	Synchronizer Cone	1	(A)	●				
32	109.746	945 262 6034	Synchronizer Cone	1	(B)	●				
33	111.205	387 262 0893	Elastic Ring	2		●				
34	119.161	389 262 0737	Synchronizer Ring	2	(A)	●				
34	119.225	389 262 3237	Synchronizer Ring	2	(A) LONG LIFE	●				
34	119.237	946 262 6137	Synchronizer Ring	2	(B)	●				
34	119.299	CEI 119299	Synchronizer Ring	2	(B) LONG LIFE	●				
35	157.631	389 262 5635	Synchronizer Hub	1		●				
36	154.304	389 262 2123	Sliding Sleeve	1	(A)	●				
36	154.444	M389 262 2123	Sliding Sleeve	1	(A) LONG LIFE	●				
36	154.418	945 262 5623	Sliding Sleeve	1	(B)	●				
36	154.459	M945 262 5623	Sliding Sleeve	1	(B) LONG LIFE	●				
37	109.350	945 262 4834	Synchronizer Cone	2	(A)	●				
37	109.747	945 262 5934	Synchronizer Cone	1	(B)	●				
38	244.038	389 262 3311	Gear 1st Speed 50 T	1		●				
39	141.165	947 265 0349	Slide Fork	2	BRASS	●				
39	141.221	M947 265 0349	Slide Fork	1	IRON	●				
40	137.198	021 981 9410	Needle Cage 85x93x45W	1		●				
41	117.440	389 262 2250	Bush	1		●				
42	137.198	021 981 9410	Needle Cage 85x93x45W	1		●				
43	244.039	389 262 2233	Reverse Gear 47 T	1		●				
44	154.224	389 262 1723	Sliding Sleeve	1	With 157.630	●				
44	154.223	389 262 1823	Sliding Sleeve	1	With 157.626	●				
45	157.630	389 262 4135	Synchronizer Hub	1	With 154.224	●				
45	157.626	389 262 4235	Synchronizer Hub	1	With 154.223	●				
46	141.160	945 265 0149	Slide Fork	2		●				
47	130.581	012 981 3705	Bearing 65x140x13,5	1		●				
48	139.564	020 997 9947	Oil Seal 80x110x10	1		●				
49	139.563	023 997 8547	Oil Seal 80x100x12	1		●				
50	197.192	629 262 0145	Output Flange D.180 mm	1		●				
50	197.202	945 262 3045	Output Flange	1		●				
51	130.554	014 981 1405	Bearing 50,8x100x35	1		●				
52	146.698	389 263 2910	Constant Gear 51 T	1		●				
53	146.697	389 263 0915	Gear 5th Speed 47 T	1		●				
54	143.138	656 263 0013	Double Gear 3rd/4th Sp.-28/38 T	1		●				
55	105.244	389 263 2702	Countershaft 12/19 T	1		●				
56	130.587	012 981 3605	Bearing 45x110x12	1		●				

Notes

(A - B) To be coupled together

Date

04 / 2011

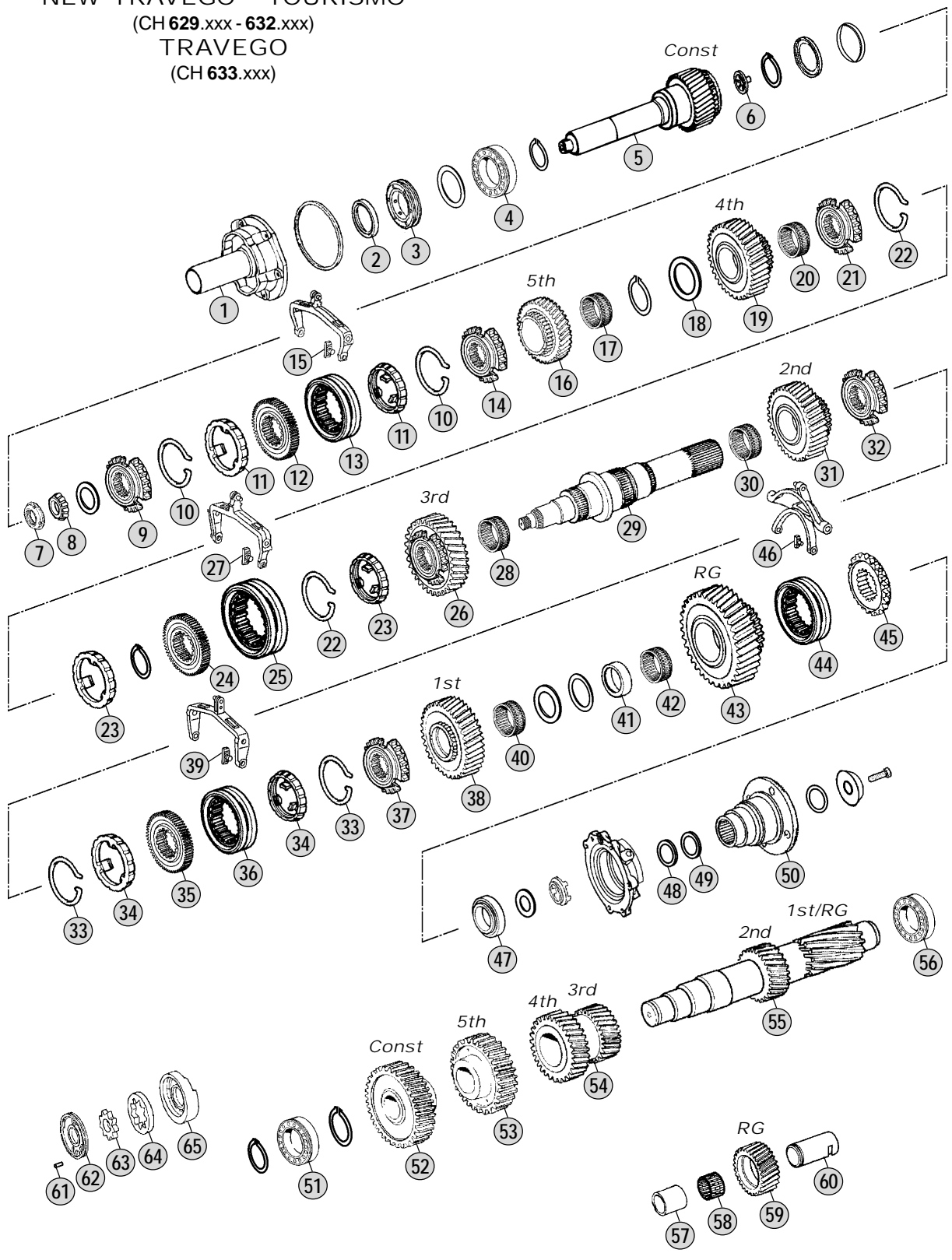
Table

0220

All original equipment manufacturers numbers, symbols, pictures, models and description used in this catalogue are for reference only, and it is not implied that any part listed is the product of these manufactures.
Tutti i nostri particolari non sono originali ma con essi intercambiabili. I riferimenti originali, le figure, i modelli sono esposti a semplice titolo indicativo. La nostra produzione riporta il nostro marchio.

Adattabile a : **MERCEDES**
Suitable To :

Models
NEW TRAVEGO - TOURISMO
(CH 629.xxx - 632.xxx)
TRAVEGO
(CH 633.xxx)



All original equipment manufacturers' numbers, symbols, and description used in this catalogue are for reference only, and it is not implied that any part listed is the product of these manufacturers. Tutti i nostri particolari non sono originali ma con essi intercambiabili. I riferimenti originali, le figure, i modelli sono esposti a semplice titolo indicativo. La nostra produzione riporta il nostro marchio.

Models

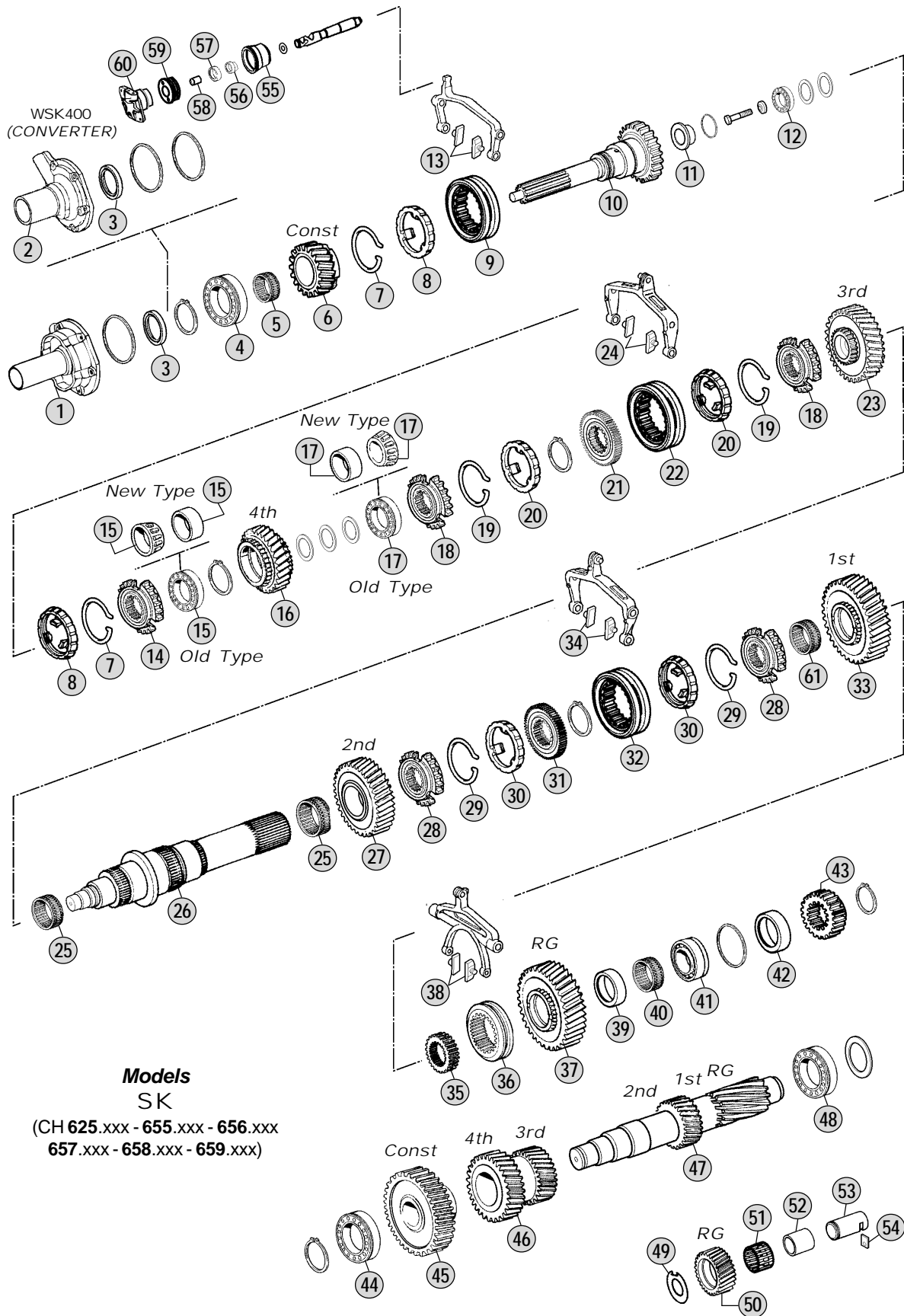
GO190 - 6 / 8,2 - 1,00

714.120-124



Adattabile a : **MERCEDES**
 Suitable To :

Modelli Cambio/ Gearbox Models
G200 (16 Speeds)



Models
SK

(CH 625.xxx - 655.xxx - 656.xxx
 657.xxx - 658.xxx - 659.xxx)

All original equipment manufacturers' numbers, symbols, models and description used in this catalogue are for reference only, and it is not implied that any part listed is the product of these manufactures. Tutti i nostri particolari non sono originali ma con essi intercambiabili. I riferimenti originali, le figure, i modelli sono esposti a semplice titolo indicativo. La nostra produzione riporta il nostro marchio.

Models

G200 - 16 / 11,9 - 0,88 715.200(EPS)-201-202-220-221-222-225-226-230-232-233



Fig.	CEI no.	Rif. MB	Description	Q.ty	Note	G200-16/11,9-0,88				
1	135.131	389 261 3318	Front Cover	1		●				
2	135.203	389 261 3718	Front Cover	1	WSK400 Up to Gearbox 346269	●				
2	135.220	389 261 4918	Front Cover	1	WSK400 From Gearbox 346270	●				
3	139.549	024 997 3047	Seal Ring 52x68x8 mm	1		●				
4	130.550	011 981 1305	Bearing 75x140x34,3	1		●				
5	137.186	009 981 1610	Needle Cage K85x93x37ZW	1		●				
6	145.558	389 262 7710	Constant Gear 26 T	1		●				
7	111.204	387 262 1093	Elastic Ring	2		●				
8	119.112	389 262 0637	Synchronizer Ring	2		●				
8	119.226	389 262 3137	Synchronizer Ring	2	LONG LIFE	●				
9	154.214	389 262 3023	Sliding Sleeve	1		●				
9	154.407	M389 262 3023	Sliding Sleeve	1	LONG LIFE	●				
10	102.271	389 262 2901	Input Shaft 60 T	1		●				
10	102.272	389 262 3101	Input Shaft 60 T	1	With WSK400 (Converter)	●				
11	139.554	018 997 7147	Oil Deflector	1		●				
12	130.551	008 981 2805	Bearing 40x90,9x32	1	Oem	●				
12	530.551	008 981 2805	Bearing 40x90,9x32	1	A.Market	●				
13	141.162	389 265 2449	Slide Fork	2	BRASS	●				
13	141.219	M389 265 2449	Slide Fork	2	IRON	●				
14	109.131	389 262 5634	Synchronizer Cone	1		●				
15	130.557	011 981 7605	Bearing 50x90x32	1	Oem Old Type	●				
15	530.557	011 981 7605	Bearing 50x90x32	1	A.Market Old Type	●				
15	130.561	015 981 7605	Bearing 50x85x41	1	New Type	●				
15	130.555	002 981 1680	Ring D.90	1	New Type	●				
16	145.582	389 262 5610	Gear 4th Speed 24 T	1		●				
17	130.546	011 981 7705	Bearing 55x90x24	1	Old Type	●				
17	130.548	002 981 1580	Ring D.90	1	New Type	●				
17	130.547	CEI 130547	Bearing 55x24	1	New Type	●				
18	109.189	945 262 0534	Synchronizer Cone	2		●				
19	111.205	387 262 0893	Elastic Ring	2		●				
20	119.161	389 262 0737	Synchronizer Ring	2		●				
20	119.225	389 262 3237	Synchronizer Ring	2	LONG LIFE	●				
21	157.215	389 262 1535	Synchronizer Hub	1		●				
22	154.213	389 262 2923	Sliding Sleeve	1		●				
22	154.405	M389 262 2923	Sliding Sleeve	1	LONG LIFE	●				
23	145.583	389 262 2113	Gear 3rd Speed 28 T	1		●				
24	141.161	389 265 2349	Slide Fork	2	BRASS	●				
24	141.220	M389 265 2349	Slide Fork	2	IRON	●				
25	137.177	018 981 6610	Needle Cage K85x93x53ZWD	2		●				
26	103.148	389 262 1505	Main Shaft	1		●				
27	145.610	389 262 1312	Gear 2nd Speed 32 T	1		●				
28	109.187	945 262 0434	Synchronizer Cone	2		●				
29	111.205	387 262 0893	Elastic Ring	2		●				
30	119.161	389 262 0737	Synchronizer Ring	2		●				
30	119.225	389 262 3237	Synchronizer Ring	2	LONG LIFE	●				

Notes

- (A) Up to 06/96
(B) From 07/96

Date

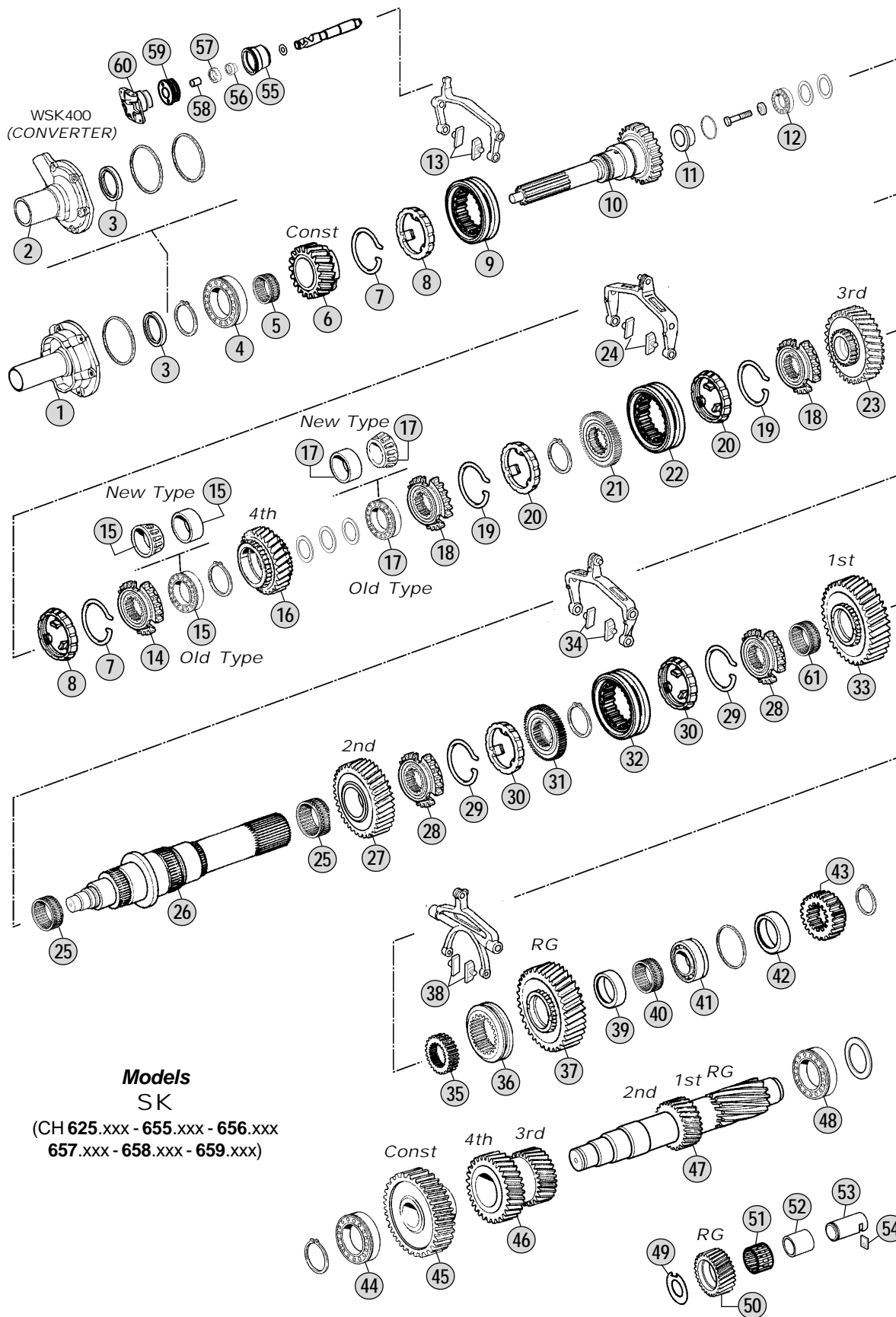
04 / 2011

Table

0230

All original equipment manufacturers numbers, symbols, pictures, models and description used in this catalogue are for reference only, and it is not implied that any part listed is the product of these manufactures.
Tutti i nostri particolari non sono originali ma con essi intercambiabili. I riferimenti originali, le figure, i modelli sono esposti a semplice titolo indicativo. La nostra produzione riporta il nostro marchio.

Adattabile a : **MERCEDES**
Suitable To :



Models
SK

(CH 625.xxx - 655.xxx - 656.xxx
657.xxx - 658.xxx - 659.xxx)

All original equipment manufacturers' numbers, symbols, models and description used in this catalogue are for reference only, and it is not implied that any part listed is the product of these manufactures. Tutti i nostri particolari non sono originali ma con essi intercambiabili. I riferimenti originali, le figure, i modelli sono esposti a semplice titolo indicativo. La nostra produzione riporta il nostro marchio.

Models

G200 - 16 / 11,9 - 0,88 715.200(EPS)-201-202-220-221-222-225-226-230-232-233



G200-16/11,9-0,88

16 Speeds
G200

Fig.	CEI no.	Rif. MB	Description	Q.ty	Note				
31	157.213	389 262 0035	Synchronizer Hub	1		●			
32	154.213	389 262 2923	Sliding Sleeve	1		●			
32	154.405	M389 262 2923	Sliding Sleeve	1	LONG LIFE	●			
33	145.606	389 262 1611	Gear 1st Speed 38 T	1		●			
34	141.161	389 265 2349	Slide Fork	2	BRASS	●			
34	141.220	M389 265 2349	Slide Fork	2	IRON	●			
35	157.603	389 262 0135	Synchronizer Hub	1		●			
36	154.224	389 262 1723	Sliding Sleeve	1	Excl.715.200	●			
36	154.223	389 262 1823	Sliding Sleeve	1	Only 715.200	●			
37	147.159	389 262 0333	Reverse Gear 34 T	1	Excl.715.200	●			
37	147.160	389 262 1033	Reverse Gear 34 T	1	Only 715.200	●			
38	141.160	945 265 0149	Slide Fork	2		●			
39	117.327	389 262 2550	Bush	1		●			
40	137.187	009 981 1510	Needle Cage K78x86x35ZW	1		●			
41	130.552	014 981 6105	Bearing 60x130x30	1		●			
42	117.325	389 262 3754	Spacer Th.18(74x60) mm	1		●			
43	157.212	389 262 0209	Sun Gear 25 T	1		●			
44	130.554	014 981 1405	Bearing 50,8x100x35	1		●			
45	146.478	389 263 1110	Constant Gear 23 T	1		●			
46	143.100	389 263 1413	Double Gear 4th/3rd Sp.-25/21 T	1		●			
47	105.131	389 263 0802	Countershaft 17/14 T	1		●			
48	130.553	016 981 1205	Bearing 60x130x33,8	1		●			
49	269.278	389 263 0062	Spacer Th.1,00(136,8x130) mm	1	(A)	●			
50	147.279	389 263 0331	Reverse Gear 18 T	1	(A)	●			
50	147.158	389 263 1531	Reverse Gear 18 T	1	(B)	●			
51	137.181	012 981 8910	Needle Cage K42x50x51ZW	1		●			
52	117.414	389 263 0050	Bush Th.19(42x30) mm	1	(A)	●			
52	117.324	389 263 0850	Bush Th.18(74x60) mm	1	(B)	●			
53	107.239	389 263 0430	Reverse Shaft	1	Old Style	●			
53	107.174	976 263 0030	Reverse Shaft	1	New Style	●			
54	188.245	389 263 0041	Key	1	Old Style	●			
54	188.236	945 263 0041	Key	1	New Style	●			
55	132.068	389 267 3319	Cylinder	1		●			
56	139.834	000 267 0197	Oil Seal 22x32x8	1		●			
57	117.412	387 267 0650	Bush Th.8(34x22) mm	1		●			
58	139.813	006 997 6447	Oil Seal 41x48x11,5	1		●			
59	189.680	945 267 0218	Piston	1		●			
60	132.067	389 267 2819	Cylinder	1		●			
61	137.182	008 981 8310	Needle Cage 75x83x55W	1		●			

Notes

(A) Up to 06/96

(B) From 07/96

Date

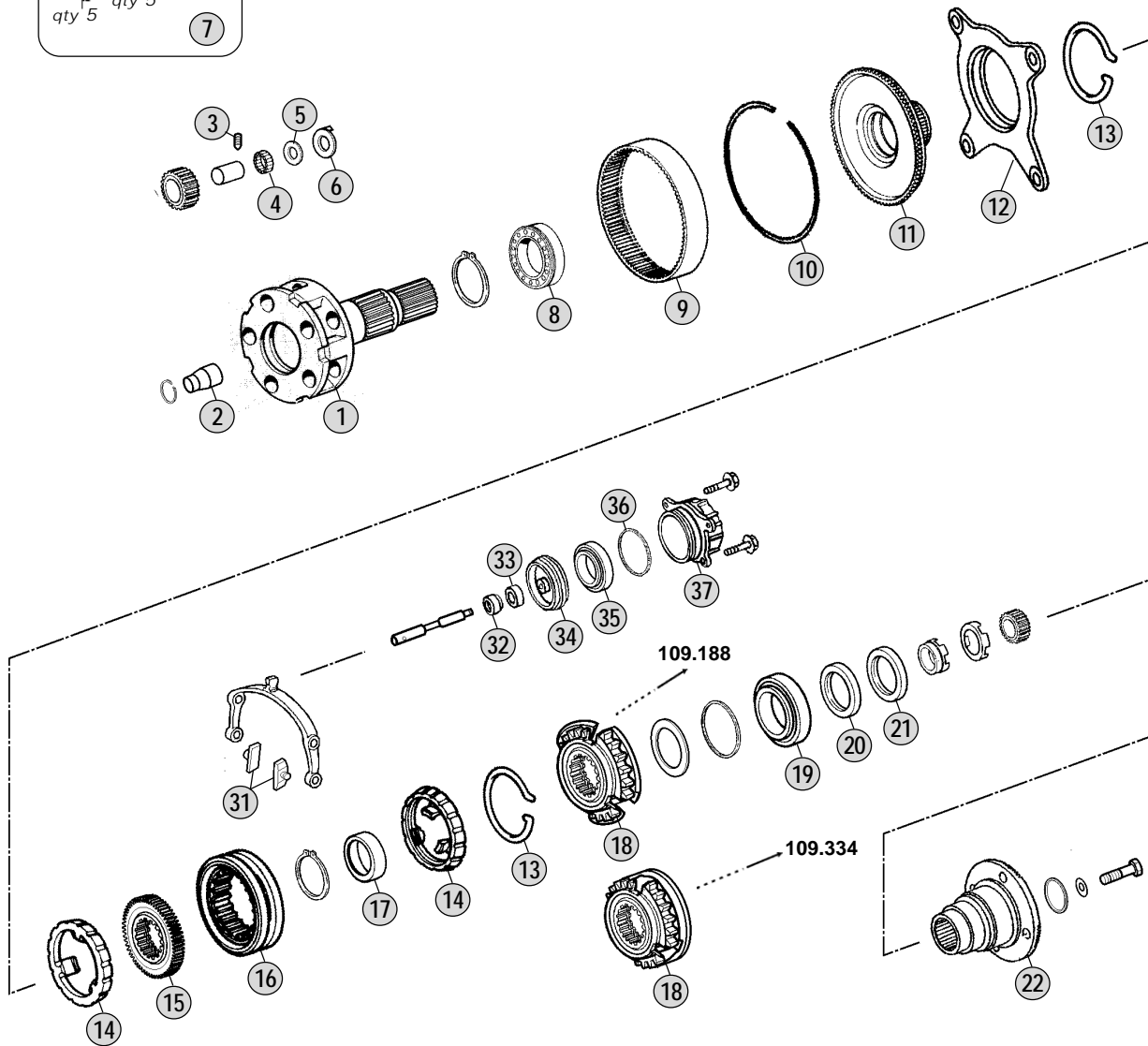
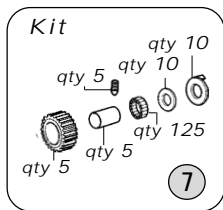
04/ 2011

Table

0230

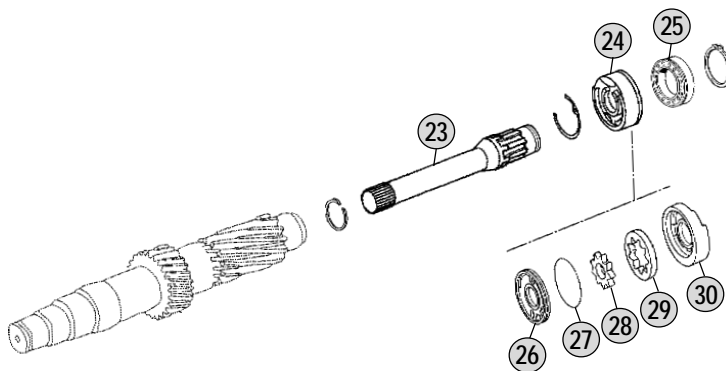
Adattabile a : **MERCEDES**
 Suitable To :

Modelli Cambio/ Gearbox Models
G200 (16 Speeds)



Oil Pump Shaft & Oil Pump

Models
 SK
 (CH 625.xxx - 655.xxx - 656.xxx
 657.xxx - 658.xxx - 659.xxx)



All original equipment manufacturers' numbers, symbols and description used in this catalogue are for reference only, and it is not implied that any part listed is the product of these manufactures.
 Tutti i nostri particolari non sono originali ma con essi intercambiabili. I riferimenti originali, le figure, i modelli sono esposti a semplice titolo indicativo. La nostra produzione riporta il nostro marchio.

Models

G200 - 16 / 11,9 - 0,88 **715.200(EPS)-201-202-220-221-222-225-226-230-232-233**



Fig.	CEI no.	Rif. MB	Description	Q.ty	Note	G200-16/11,9-0,88				
1	190.335	389 260 8961	Planetary Carrier	1		●				
2	188.180	389 269 0134	Oil Tube	1		●				
3	187.609	000914 006109	Stud 6x14 mm	5		●				
4	171.057	000 981 4186	Needle 5x39,8	125		●				
5	169.801	389 262 0162	Spacer	10		●				
6	169.802	389 262 0262	Thrust Washer	10		●				
7	198.883	389 260 0497	Repair Kit	1		●				
8	130.540	008 981 1325	Bearing 90x130x14	1		●				
9	123.229	389 262 0408	Crown Gear 80 T	1		●				
10	111.209	389 262 0773	Lock Ring	1		●				
11	150.143	389 262 0525	Carrier Hub	1		●				
12	198.879	389 260 2036	Synchronizer Flange	1		●				
13	111.206	389 262 0293	Elastic Ring	2		●				
14	119.160	389 262 0537	Synchronizer Ring	2		●				
14	119.250	389 262 3337	Synchronizer Ring	2	LONG LIFE	●				
15	155.204	389 262 2035	Synchronizer Hub	1		●				
16	154.217	945 262 6623	Sliding Sleeve	1		●				
16	154.433	M945 262 6623	Sliding Sleeve	1	LONG LIFE	●				
17	117.322	389 262 0251	Bush	1		●				
18	109.188	389 262 4034	Synchronizer Cone	1		●				
18	109.334	389 262 9134	Synchronizer Cone	1		●				
19	130.539	004 981 9325	Bearing 85x150x28	1		●				
20	139.551	013 997 7247	Oil Seal 95x115x13	1		●				
21	139.552	013 997 7347	Oil Seal 95x115x13	1		●				
22	197.079	389 262 0445	Output Flange D.180 mm	1	Excl.715.221-230-232-233	●				
22	197.082	389 262 0645	Output Flange D.200 mm	1	Only 715.221-230-232-233	●				
23	101.123	389 269 1210	Oil Pump Shaft	1		●				
24	280.587	389 260 0690	Oil Pump	1	Old Type-Assembly	●				
25	130.538	004 981 9225	Bearing 45x75x16	1		●				
26	189.607	389 269 2601	Oil Pump Cover	1	New Type-Disassembled	●				
27	111.208	029 997 5748	O Ring	1	New Type-Disassembled	●				
28	189.606	389 269 1406	Oil Pump Gear	1	New Type-Disassembled	●				
29	189.605	389 269 0706	Oil Pump Hub	1	New Type-Disassembled	●				
30	189.604	947 269 1001	Oil Pump Housing	1	New Type-Disassembled	●				
31	141.162	389 265 2449	Slide Fork	2	BRASS	●				
31	141.219	M389 265 2449	Slide Fork	2	IRON	●				
32	139.834	000 267 0197	Oil Seal 22x32x8	1		●				
33	117.412	387 267 0650	Bush Th.8(34x22) mm	1		●				
34	132.066	389 267 1018	Cylinder	1		●				
35	139.817	024 997 8347	Oil Seal 77x90x17	1		●				
36	139.597	020 997 8948	O Ring 3,0x89,5	1		●				
37	132.065	945 267 1119	Cylinder	1		●				

Notes

Date

04 / 2011

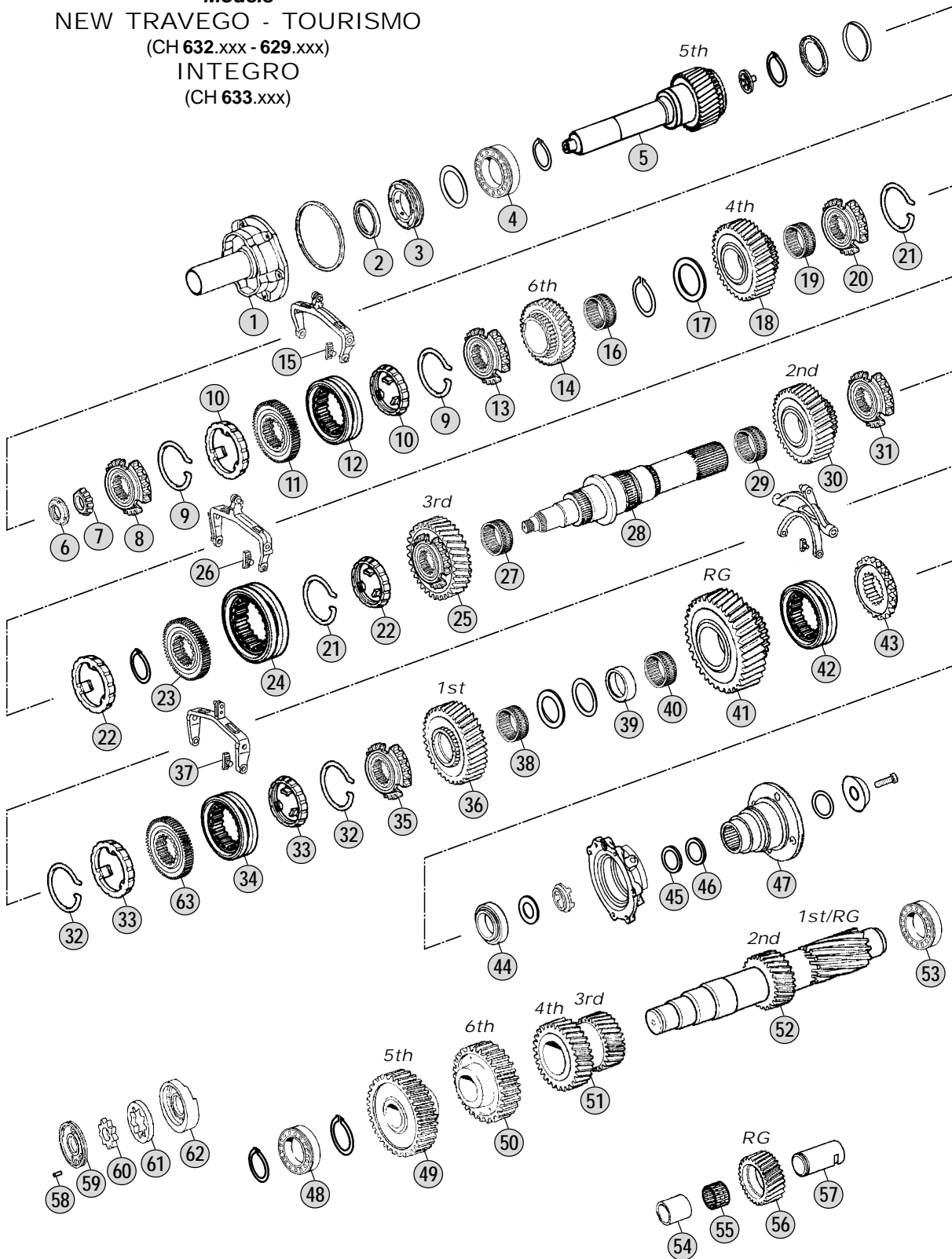
Table

0235

All original equipment manufacturers numbers, symbols, pictures, models and description used in this catalogue are for reference only, and it is not implied that any part listed is the product of these manufactures.
Tutti i nostri particolari non sono originali ma con essi intercambiabili. I riferimenti originali, le figure, i modelli sono esposti a semplice titolo indicativo. La nostra produzione riporta il nostro marchio.

Adattabile a : **MERCEDES**
 Suitable To :

Models
 NEW TRAVEGO - TOURISMO
 (CH 632.xxx - 629.xxx)
 INTEGRO
 (CH 633.xxx)



All original equipment manufacturers' numbers, symbols, pictures, models and description used in this catalogue are for reference only, and it is not implied that any part listed is the product of these manufactures.
 Tutti i nostri particolari non sono originali ma con essi intercambiabili. I riferimenti originali, le figure, i modelli sono esposti a semplice titolo indicativo. La nostra produzione riporta il nostro marchio.

Models

GO210 - 6 / 6,5-0,8 **715.140-141-142-143(EPS)-144**

Fig.	CEI no.	Rif. MB	Description	Q.ty	Note	G0210-66-5-0,8				
1	135.204	389 261 6218	Front Cover	1		●				
1	135.205	389 261 6618	Front Cover	1		●				
1	135.202	656 261 0018	Front Cover	1		●				
2	139.556	019 997 0547	Oil Seal 56x72x8	1		●				
3	139.555	389 261 0865	Diaphragm	1		●				
4	130.550	011 981 1305	Bearing 75x140x34,3	1		●				
5	102.442	656 262 3282	Input Shaft 30 T	1		●				
6	187.676	945 990 0250	Nut M30x1,5	1		●				
7	130.558	015 981 1605	Bearing 39,65x82,3x41	1		●				
8	109.335	945 262 0334	Synchronizer Cone	1	(A)	●				
8	109.742	945 262 3634	Synchronizer Cone	1	(B)	●				
9	111.204	387 262 1093	Elastic Ring	2		●				
10	119.112	389 262 0637	Synchronizer Ring	2	(A)	●				
10	119.226	389 262 3137	Synchronizer Ring	2	(A) LONG LIFE	●				
10	119.271	947 260 0545	Synchronizer Ring	2	(B)	●				
10	119.300	CEI 119300	Synchronizer Ring	2	(B) LONG LIFE	●				
11	155.245	389 262 5335	Synchronizer Hub	1		●				
12	154.221	945 262 0323	Sliding Sleeve	1	(A)	●				
12	154.408	M945 262 0323	Sliding Sleeve	1	(A) LONG LIFE	●				
12	154.399	945 262 6823	Sliding Sleeve	1	(B)	●				
12	154.457	M945 262 6823	Sliding Sleeve	1	(B) LONG LIFE	●				
13	109.743	389 262 9834	Synchronizer Cone	1	(A)	●				
13	109.744	945 262 7134	Synchronizer Cone	1	(B)	●				
14	145.968	389 262 0816	Gear 6th Speed 26 T	1		●				
15	141.165	947 265 0349	Slide Fork	2	BRASS	●				
15	141.221	M947 265 0349	Slide Fork	2	IRON	●				
16	137.356	019 981 6010	Needle Cage 60x68x54	1		●				
17	269.375	389 262 1862	Washer	1		●				
18	145.569	389 262 0914	Gear 4th Speed 35 T	1		●				
19	137.187	009 981 1510	Needle Cage K78x86x35ZW	1		●				
20	109.349	945 262 5034	Synchronizer Cone	1	(A)	●				
20	109.745	945 262 6134	Synchronizer Cone	1	(B)	●				
21	111.204	387 262 1093	Elastic Ring	2		●				
22	119.112	389 262 0637	Synchronizer Ring	2	(A)	●				
22	119.226	389 262 3137	Synchronizer Ring	2	(A) LONG LIFE	●				
22	119.271	947 260 0545	Synchronizer Ring	2	(B)	●				
22	119.300	CEI 119300	Synchronizer Ring	2	(B) LONG LIFE	●				
23	157.624	389 262 4435	Synchronizer Hub	1		●				
24	154.303	389 262 2023	Sliding Sleeve	1	(A)	●				
24	154.443	M389 262 2023	Sliding Sleeve	1	(A) LONG LIFE	●				
24	154.417	945 262 5723	Sliding Sleeve	1	(B)	●				
24	154.462	M945 262 5723	Sliding Sleeve	1	(B) LONG LIFE	●				
25	145.972	389 262 4313	Gear 3rd Speed 40 T	1	(A)	●				
25	145.973	945 262 6417	Gear 3rd Speed 40 T	1	(B)	●				
26	141.165	947 265 0349	Slide Fork	1	BRASS	●				

Notes

(A - B) To be coupled together

Date

04 / 2011

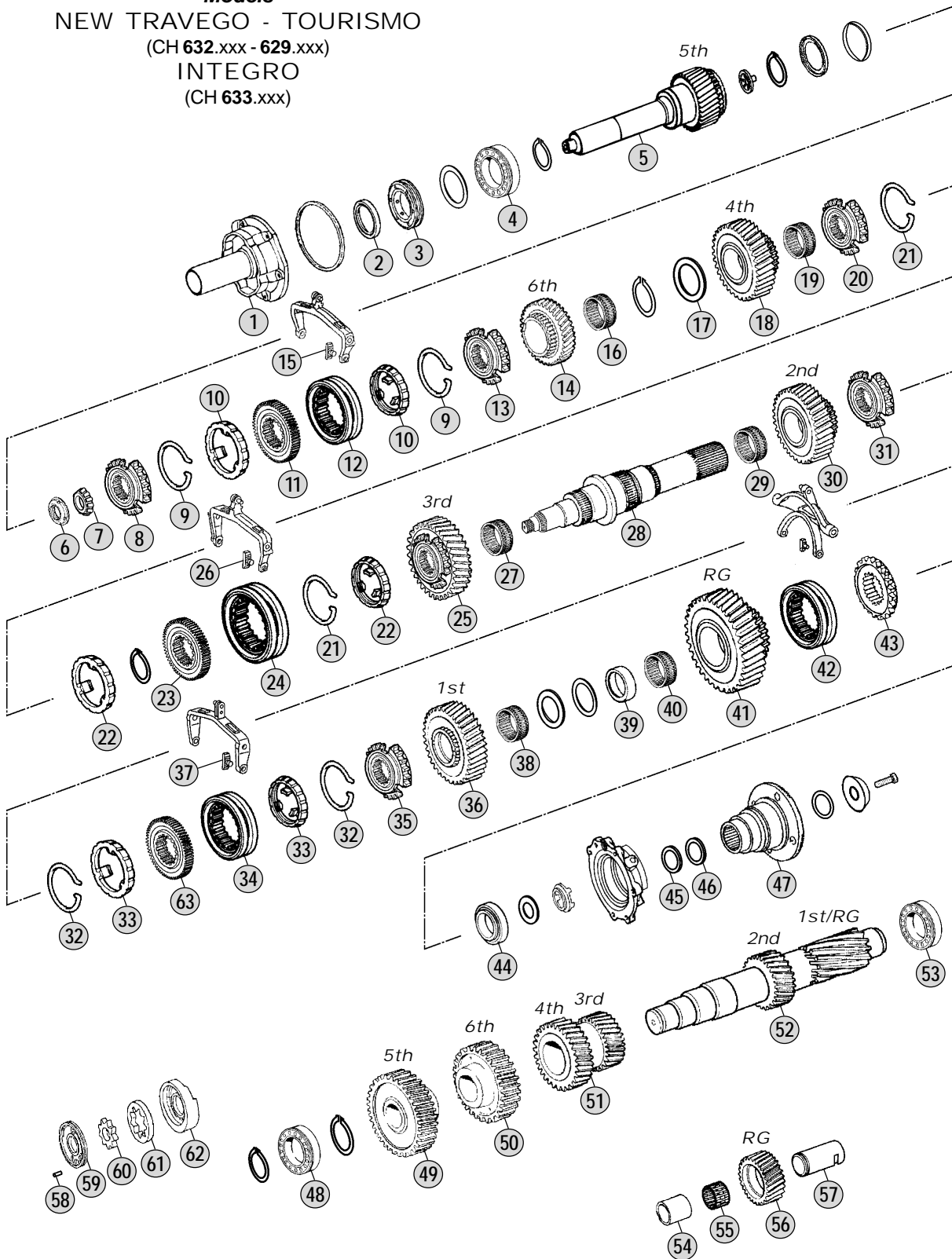
Table

0240

All original equipment manufacturers numbers, symbols, pictures, models and description used in this catalogue are for reference only, and it is not implied that any part listed is the product of these manufactures.
Tutti i nostri particolari non sono originali ma con essi intercambiabili. I riferimenti originali, le figure, i modelli sono esposti a semplice titolo indicativo. La nostra produzione riporta il nostro marchio.

Adattabile a : **MERCEDES**
 Suitable To :

Models
 NEW TRAVEGO - TOURISMO
 (CH 632.xxx - 629.xxx)
 INTEGRO
 (CH 633.xxx)



All original equipment manufacturers' numbers, symbols, and description used in this catalogue are for reference only, and it is not implied that any part listed is the product of these manufactures. Tutti i nostri particolari non sono originali ma con essi intercambiabili. I riferimenti originali, le figure, i modelli sono esposti a semplice titolo indicativo. La nostra produzione riporta il nostro marchio.

Models

GO210 - 6 / 6,5-0,8 **715.140-141-142-143(EPS)-144**

Fig.	CEI no.	Rif. MB	Description	Q.ty	Note	G0210-66-5-0,8				
26	141.221	M947 265 0349	Slide Fork	2	IRON	●				
27	137.204	007 981 5510	Needle Cage 92x100x49,5	1		●				
28	103.215	389 262 4605	Main Shaft	1		●				
29	137.204	007 981 5510	Needle Cage 92x100x49,5	1		●				
30	145.815	976 262 1612	Gear 2nd Speed 45 T	1		●				
31	109.351	945 262 4934	Synchronizer Cone	1	(A)	●				
31	109.746	945 262 6034	Synchronizer Cone	1	(B)	●				
32	111.205	387 262 0893	Elastic Ring	2		●				
33	119.161	389 262 0737	Synchronizer Ring	2	(A)	●				
33	119.225	389 262 3237	Synchronizer Ring	2	(A) LONG LIFE	●				
33	119.237	946 262 6137	Synchronizer Ring	2	(B)	●				
33	119.299	CEI 119299	Synchronizer Ring	2	(B) LONG LIFE	●				
34	154.304	389 262 2123	Sliding Sleeve	1	(A)	●				
34	154.444	M389 262 2123	Sliding Sleeve	1	(A) LONG LIFE	●				
34	154.418	945 262 5623	Sliding Sleeve	1	(B)	●				
34	154.459	M945 262 5623	Sliding Sleeve	1	(B) LONG LIFE	●				
35	109.350	945 262 4834	Synchronizer Cone	1	(A)	●				
35	109.747	945 262 5934	Synchronizer Cone	1	(B)	●				
36	244.038	389 262 3311	Gear 1st Speed 50 T	1		●				
37	141.165	947 265 0349	Slide Fork	2	BRASS	●				
37	141.221	M947 265 0349	Slide Fork	2	IRON	●				
38	137.198	021 981 9410	Needle Cage 85x93x45W	1		●				
39	117.440	389 262 2250	Bush	1		●				
40	137.198	021 981 9410	Needle Cage 85x93x45W	1		●				
41	244.039	389 262 2233	Reverse Gear 47 T	1		●				
42	154.224	389 262 1723	Sliding Sleeve	1	With 157.630	●				
42	154.223	389 262 1823	Sliding Sleeve	1	With 157.626	●				
43	157.630	389 262 4135	Synchronizer Hub	1	With 154.224	●				
43	157.626	389 262 4235	Synchronizer Hub	1	With 154.223	●				
44	130.581	012 981 3705	Bearing 65x140x13,5	1		●				
45	139.564	020 997 9947	Oil Seal 80x110x10	1		●				
46	139.563	023 997 8547	Oil Seal 80x100x12	1		●				
47	197.192	629 262 0145	Output Flange D.180 mm	1		●				
47	197.202	945 262 3045	Output Flange	1		●				
48	130.554	014 981 1405	Bearing 50,8x100x35	1		●				
49	145.974	389 263 1910	Constant Gear 47 T	1		●				
50	145.975	389 263 0116	Gear 6th Speed 51 T	1		●				
51	143.138	656 263 0013	Double Gear 3rd/4th Sp.-28/38 T	1		●				
52	105.244	389 263 2702	Countershaft 12/19 T	1		●				
53	130.587	012 981 3605	Bearing 45x110x12	1		●				
54	117.435	389 263 0650	Bush	1		●				
55	137.225	015 981 4110	Needle Cage	1		●				
56	147.282	389 263 1931	Reverse Gear 21 T	1		●				
57	107.180	976 263 0330	Reverse Shaft	1		●				
58	117.439	629 261 0074	Pin	1		●				

Notes

(A - B) To be coupled together

Date

04 / 2011

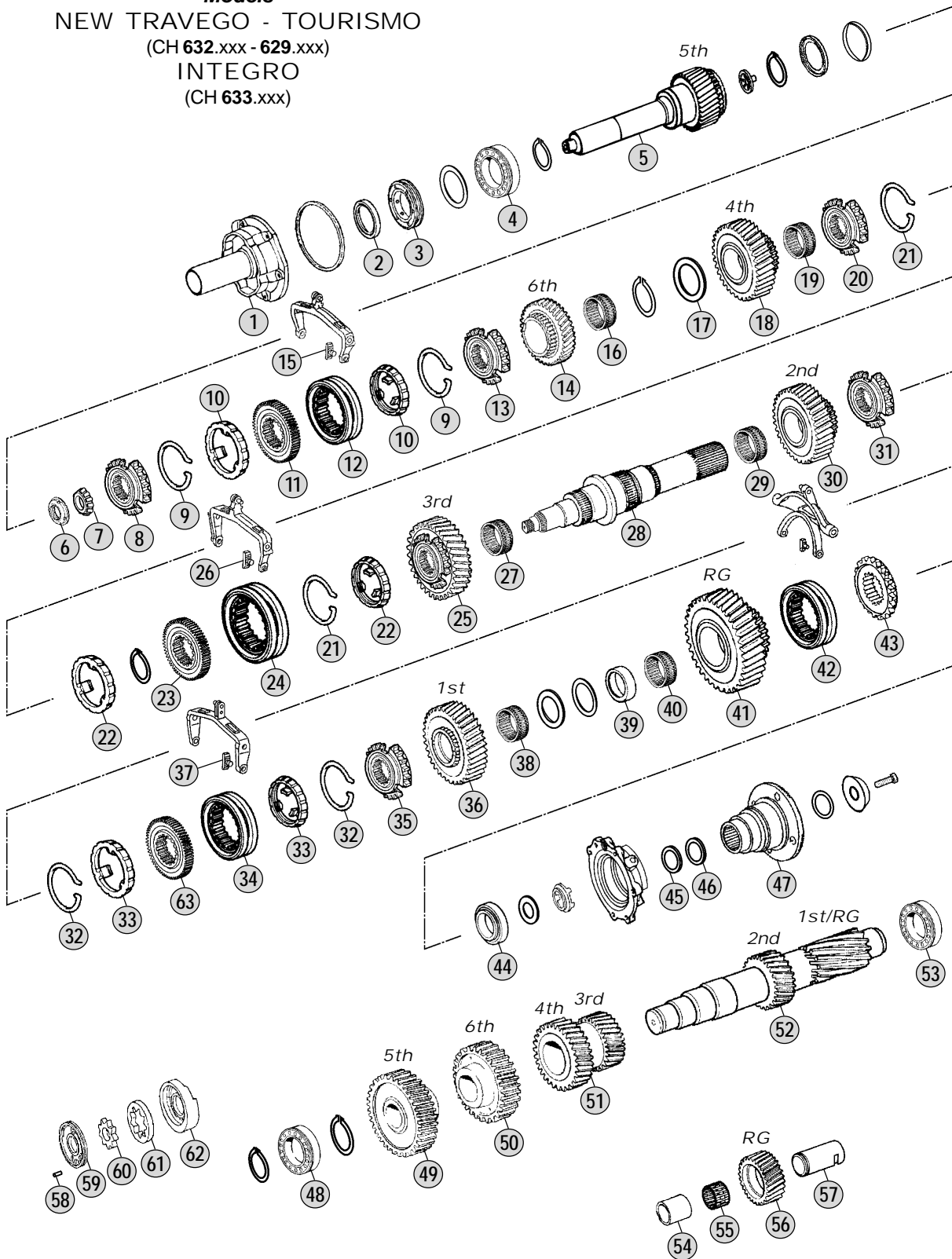
Table

0240

All original equipment manufacturers numbers, symbols, pictures, models and description used in this catalogue are for reference only, and it is not implied that any part listed is the product of these manufactures.
Tutti i nostri particolari non sono originali ma con essi intercambiabili. I riferimenti originali, le figure, i modelli sono esposti a semplice titolo indicativo. La nostra produzione riporta il nostro marchio.

Adattabile a : **MERCEDES**
 Suitable To :

Models
 NEW TRAVEGO - TOURISMO
 (CH 632.xxx - 629.xxx)
 INTEGRO
 (CH 633.xxx)



All original equipment manufacturers' numbers, symbols, and description used in this catalogue are for reference only, and it is not implied that any part listed is the product of these manufactures.
 Tutti i nostri particolari non sono originali ma con essi intercambiabili. I riferimenti originali, le figure, i modelli sono esposti a semplice titolo indicativo. La nostra produzione riporta il nostro marchio.

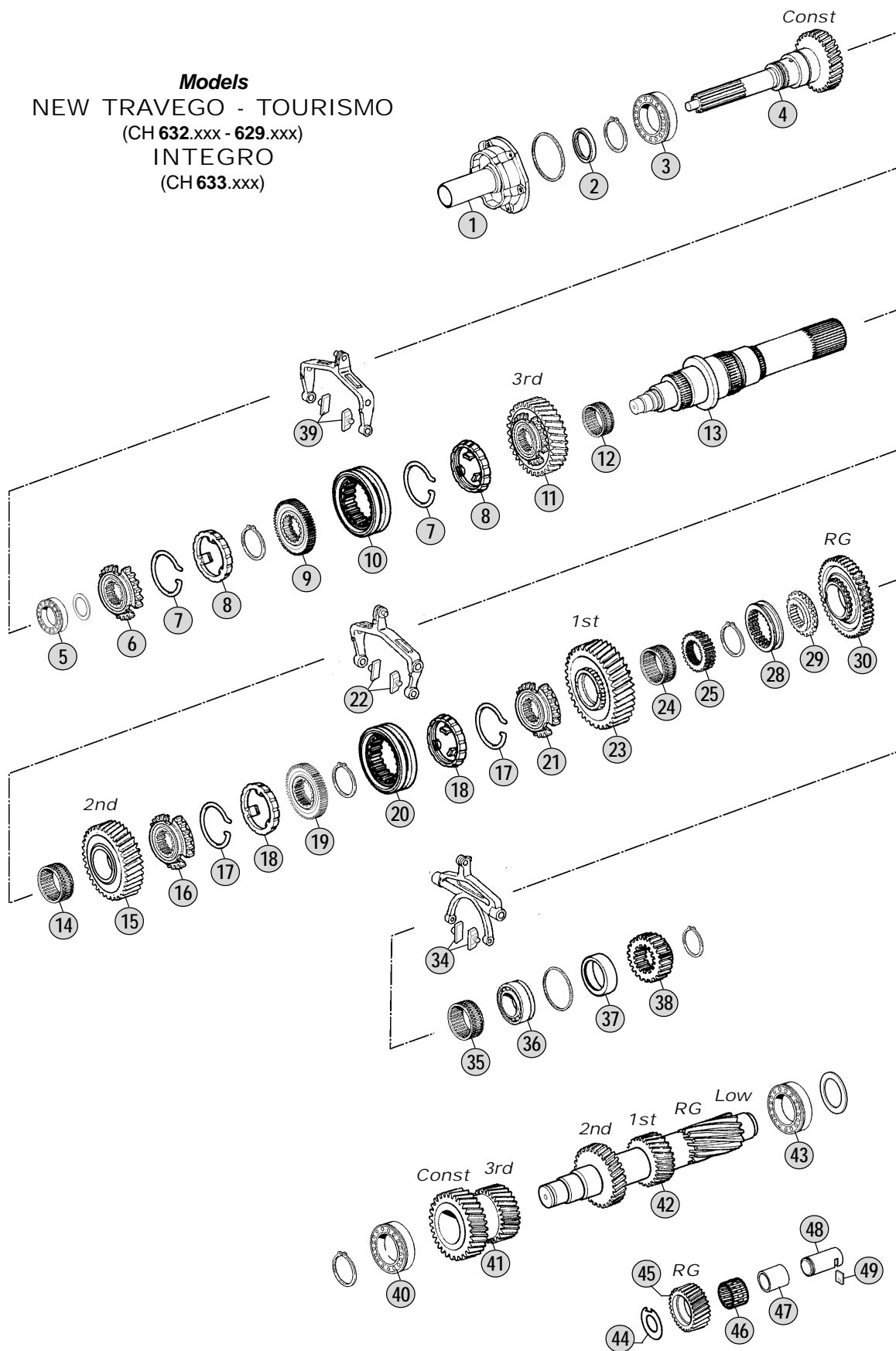
Models

GO210 - 6 / 6,5-0,8 715.140-141-142-143(EPS)-144

Adattabile a : **MERCEDES**
 Suitable To :

Modelli Cambio/ Gearbox Models
GO210 (8 Speeds)

Models
NEW TRAVEGO - TOURISMO
 (CH 632.xxx - 629.xxx)
INTEGRO
 (CH 633.xxx)



All original equipment manufacturers' numbers, symbols and description used in this catalogue are for reference only, and it is not implied that any part listed is the product of these manufacturers. Tutti i nostri particolari non sono originali ma con essi intercambiabili. I riferimenti originali, le figure, i modelli sono esposti a semplice titolo indicativo. La nostra produzione riporta il nostro marchio.

Models

GO210 - 8 / 11,8 - 1,00 **714.743(EPS)**



Fig.	CEI no.	Rif. MB	Description	Q.ty	Note	GO210-8/11,8-1,0				
1	135.131	389 261 3318	Front Cover	1		●				
2	139.549	024 997 3047	Seal Ring 52x68x8 mm	1		●				
3	130.550	011 981 1305	Bearing 75x140x34,3	1		●				
4	102.269	389 262 3502	Input Shaft 24 T	1		●				
5	130.551	008 981 2805	Bearing 40x90,9x32	1	Oem	●				
5	530.551	008 981 2805	Bearing 40x90,9x32	1	A.Market	●				
6	109.131	389 262 5634	Synchronizer Cone	1		●				
7	111.204	387 262 1093	Elastic Ring	2		●				
8	119.112	389 262 0637	Synchronizer Ring	2		●				
8	119.226	389 262 3137	Synchronizer Ring	2	LONG LIFE	●				
9	157.214	389 262 0635	Synchronizer Hub	1		●				
10	154.214	389 262 3023	Sliding Sleeve	1		●				
10	154.407	M389 262 3023	Sliding Sleeve	1	LONG LIFE	●				
11	145.603	389 262 1013	Gear 3rd Speed 27 T	1		●				
12	137.184	009 981 1410	Needle Cage 75x83x48	1		●				
13	103.147	389 262 1305	Main Shaft	1		●				
14	137.177	018 981 6610	Needle Cage K85x93x53ZWD	1		●				
15	145.602	389 262 1412	Gear 2nd Speed 34 T	1		●				
16	109.339	389 262 0534	Synchronizer Cone	1		●				
17	111.205	387 262 0893	Elastic Ring	2		●				
18	119.161	389 262 0737	Synchronizer Ring	2		●				
18	119.225	389 262 3237	Synchronizer Ring	2	LONG LIFE	●				
19	157.213	389 262 0035	Synchronizer Hub	1		●				
20	154.213	389 262 2923	Sliding Sleeve	1		●				
21	109.187	945 262 0434	Synchronizer Cone	1		●				
22	141.161	389 265 2349	Slide Fork	2	BRASS	●				
22	141.220	M389 265 2349	Slide Fork	2	IRON	●				
23	145.601	389 262 1711	Gear 1st Speed 41 T	1		●				
24	137.182	008 981 8310	Needle Cage 75x83x55W	1		●				
25	155.273	389 262 2135	Synchronizer Hub	1		●				
28	154.223	389 262 1823	Sliding Sleeve	1		●				
29	109.340	389 262 0140	Synchronizer Cone	1		●				
30	147.157	389 262 1833	Reverse Gear 34 T	1		●				
34	141.160	945 265 0149	Slide Fork	2		●				
35	137.185	013 981 6510	Needle Cage 60x72x70W	1		●				
36	130.552	014 981 6105	Bearing 60x130x30	1		●				
37	117.326	389 262 0152	Spacer Th.20,3(74x60) mm	1	(A)	●				
37	117.325	389 262 3754	Spacer Th.18(74x60) mm	1	(B)	●				
38	157.600	389 262 0409	Sun Gear 25 T	1	(A)	●				
38	157.212	389 262 0209	Sun Gear 25 T	1	(B)	●				
39	141.161	389 265 2349	Slide Fork	2	BRASS	●				
39	141.220	M389 265 2349	Slide Fork	2	IRON	●				
40	130.554	014 981 1405	Bearing 50,8x100x35	1		●				
41	143.106	389 263 1113	Double Gear 4th/3rd Sp.-28/24 T	1		●				
42	105.129	389 263 0902	Countershaft 21/17/12 T	1		●				

Notes

- (A) Up to gearbox 182425 - See GP section (table 0255) for the coupling
 (B) From gearbox 182426 - See GP section (table 0255) for the coupling
 (C) Up to 06/96
 (D) From 07/96

Date

04 / 2011

Table

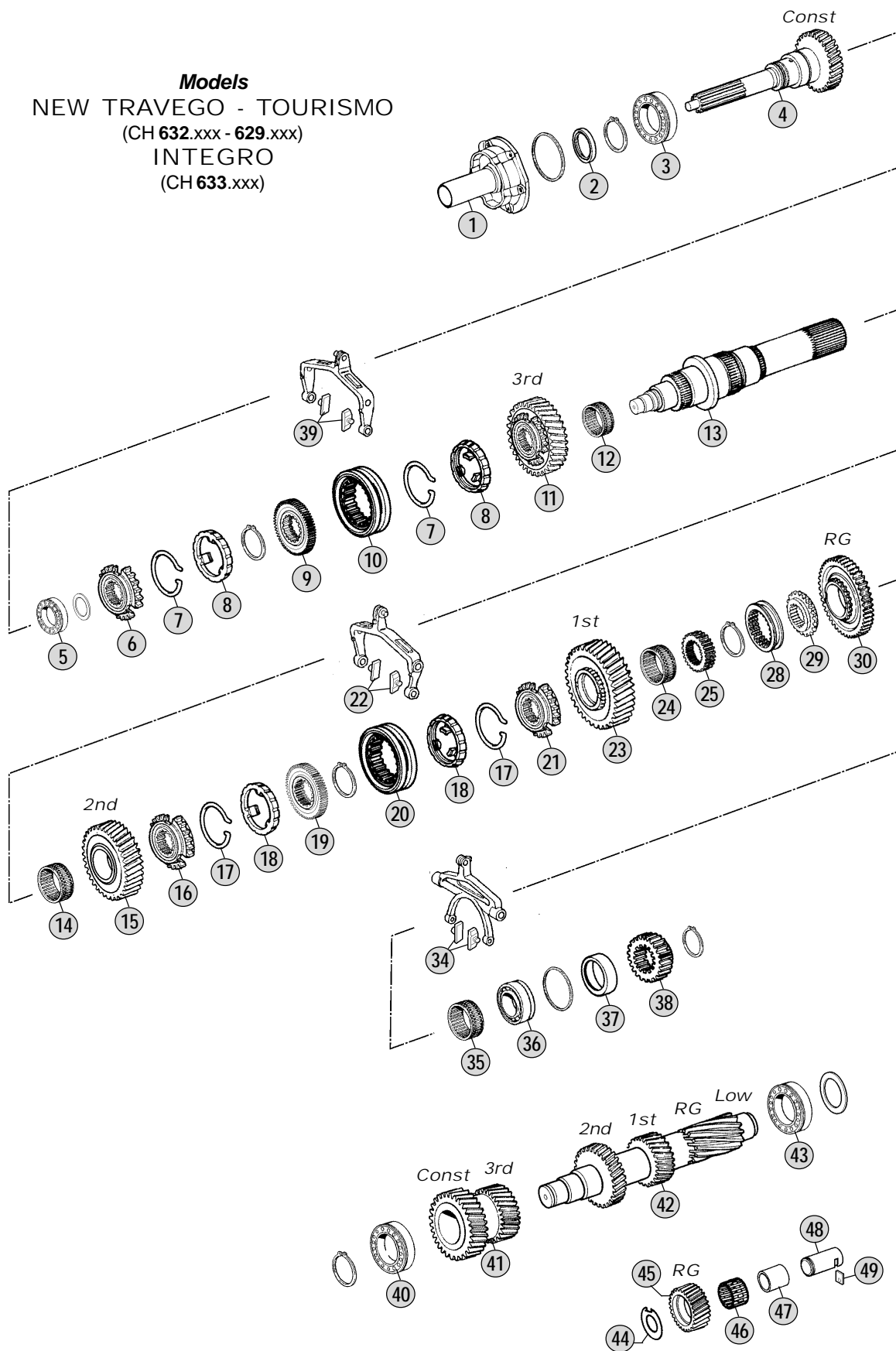
0250

All original equipment manufacturers numbers, symbols, pictures, models and description used in this catalogue are for reference only, and it is not implied that any part listed is the product of these manufactures.
 Tutti i nostri particolari non sono originali ma con essi intercambiabili. I riferimenti originali, le figure, i modelli sono esposti a semplice titolo indicativo. La nostra produzione riporta il nostro marchio.

Adattabile a : **MERCEDES**
 Suitable To :

Modelli Cambio/ Gearbox Models
GO210 (8 Speeds)

Models
NEW TRAVEGO - TOURISMO
 (CH 632.xxx - 629.xxx)
INTEGRO
 (CH 633.xxx)



All original equipment manufacturers' numbers, symbols, models and description used in this catalogue are for reference only, and it is not implied that any part listed is the product of these manufacturers. Tutti i nostri particolari non sono originali ma con essi intercambiabili. I riferimenti originali, le figure, i modelli sono esposti a semplice titolo indicativo. La nostra produzione riporta il nostro marchio.

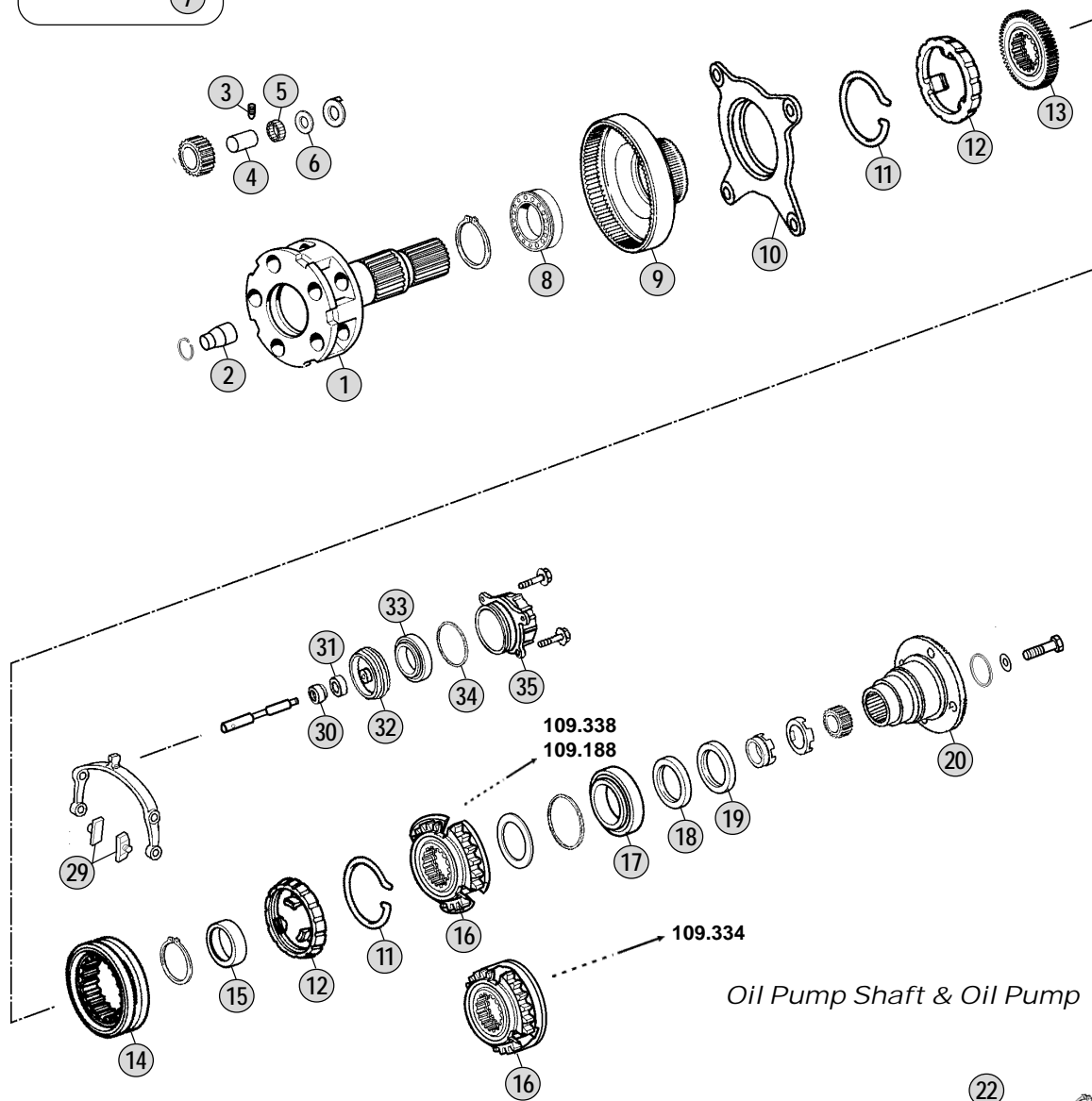
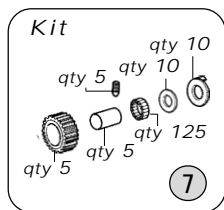
Models

GO210 - 8 / 11,8 - 1,00 **714.743(EPS)**

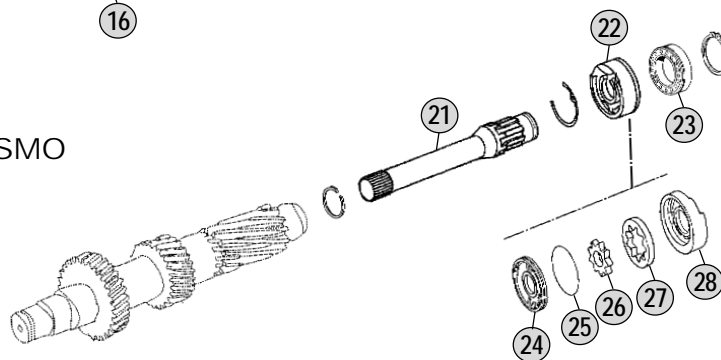


Adattabile a : **MERCEDES**
 Suitable To :

Modelli Cambio/ Gearbox Models
GO210 (8 Speeds)



Models
 NEW TRAVEGO - TOURISMO
 (CH 632.xxx - 629.xxx)
 INTEGRO
 (CH 633.xxx)



All original equipment manufacturers numbers, symbols and description used in this catalogue are for reference only, and it is not implied that any part listed is the product of these manufactures.
 Tutti i nostri particolari non sono originali ma con essi intercambiabili. I riferimenti originali, le figure, i modelli sono esposti a semplice titolo indicativo. La nostra produzione riporta il nostro marchio.

Models

GO210 - 8 / 11,8 - 1,00 **714.743(EPS)**



Fig.	CEI no.	Rif. MB	Description	Q.ty	Note	GO210-811,8-1,0				
1	190.336	389 260 0661	Planetary Carrier	1	(A)	●				
1	190.335	389 260 8961	Planetary Carrier	1	(B)	●				
2	188.180	389 269 0134	Oil Tube	1		●				
3	187.609	000914 006109	Stud 6x14 mm	5		●				
4	171.056	001 981 2887	Needle 5x36,7	125	(A)	●				
4	171.057	000 981 4186	Needle 5x39,8	125	(B)	●				
5	169.801	389 262 0162	Spacer	10		●				
6	169.802	389 262 0262	Thrust Washer	10		●				
7	198.884	389 260 0297	Repair Kit	1	(A)	●				
7	198.883	389 260 0497	Repair Kit	1	(B)	●				
8	130.540	008 981 1325	Bearing 90x130x14	1		●				
9	123.228	389 262 0208	Crown Gear 80 T	1		●				
10	198.882	389 260 0936	Synchronizer Flange	1	(E)	●				
10	198.879	389 260 2036	Synchronizer Flange	1	(F)	●				
11	111.206	389 262 0293	Elastic Ring	2		●				
12	119.160	389 262 0537	Synchronizer Ring	2		●				
12	119.250	389 262 3337	Synchronizer Ring	2	LONG LIFE	●				
13	155.206	389 262 0535	Synchronizer Hub	1	(E) Outer Teeth Z 72	●				
13	155.204	389 262 2035	Synchronizer Hub	1	(F) Outer Teeth Z 73	●				
14	154.222	389 262 1523	Sliding Sleeve	1	(E) Inner Teeth Z 72	●				
14	154.432	M389 262 1523	Sliding Sleeve	1	(E) LONG LIFE Z 72	●				
14	154.217	945 262 6623	Sliding Sleeve	1	(F) Inner Teeth Z 73	●				
14	154.433	M945 262 6623	Sliding Sleeve	1	(F) LONG LIFE Z 73	●				
15	117.322	389 262 0251	Bush	1		●				
16	109.338	389 262 2334	Synchronizer Cone	1	(E)	●				
16	109.188	389 262 4034	Synchronizer Cone	1	(F)	●				
16	109.334	389 262 9134	Synchronizer Cone	1	(F)	●				
17	130.539	004 981 9325	Bearing 85x150x28	1		●				
18	139.551	013 997 7247	Oil Seal 95x115x13	1		●				
19	139.552	013 997 7347	Oil Seal 95x115x13	1		●				
20	197.079	389 262 0445	Output Flange D.180 mm	1		●				
21	101.123	389 269 1210	Oil Pump Shaft	1		●				
22	280.587	389 260 0690	Oil Pump	1	Old Type-Assembly	●				
23	130.538	004 981 9225	Bearing 45x75x16	1		●				
24	189.607	389 269 2601	Oil Pump Cover	1	New Type-Disassembled	●				
25	111.208	029 997 5748	O Ring	1	New Type-Disassembled	●				
26	189.606	389 269 1406	Oil Pump Gear	1	New Type-Disassembled	●				
27	189.605	389 269 0706	Oil Pump Hub	1	New Type-Disassembled	●				
28	189.604	947 269 1001	Oil Pump Housing	1	New Type-Disassembled	●				
29	141.162	389 265 2449	Slide Fork	2	BRASS	●				
29	141.219	M389 265 2449	Slide Fork	2	IRON	●				
30	139.834	000 267 0197	Oil Seal 22x32x8	1		●				
31	117.412	387 267 0650	Bush Th.8(34x22) mm	1		●				
32	132.066	389 267 1018	Cylinder	1		●				
33	139.817	024 997 8347	Oil Seal 77x90x17	1		●				

Notes

- (A) Up to gearbox 182425 - See Sun gear (table 0250) for the coupling
 (B) From gearbox 182426 - See Sun gear (table 0250) for the coupling
 (E) Up to gearbox 201817
 (F) From gearbox 201818

Date

04 / 2011

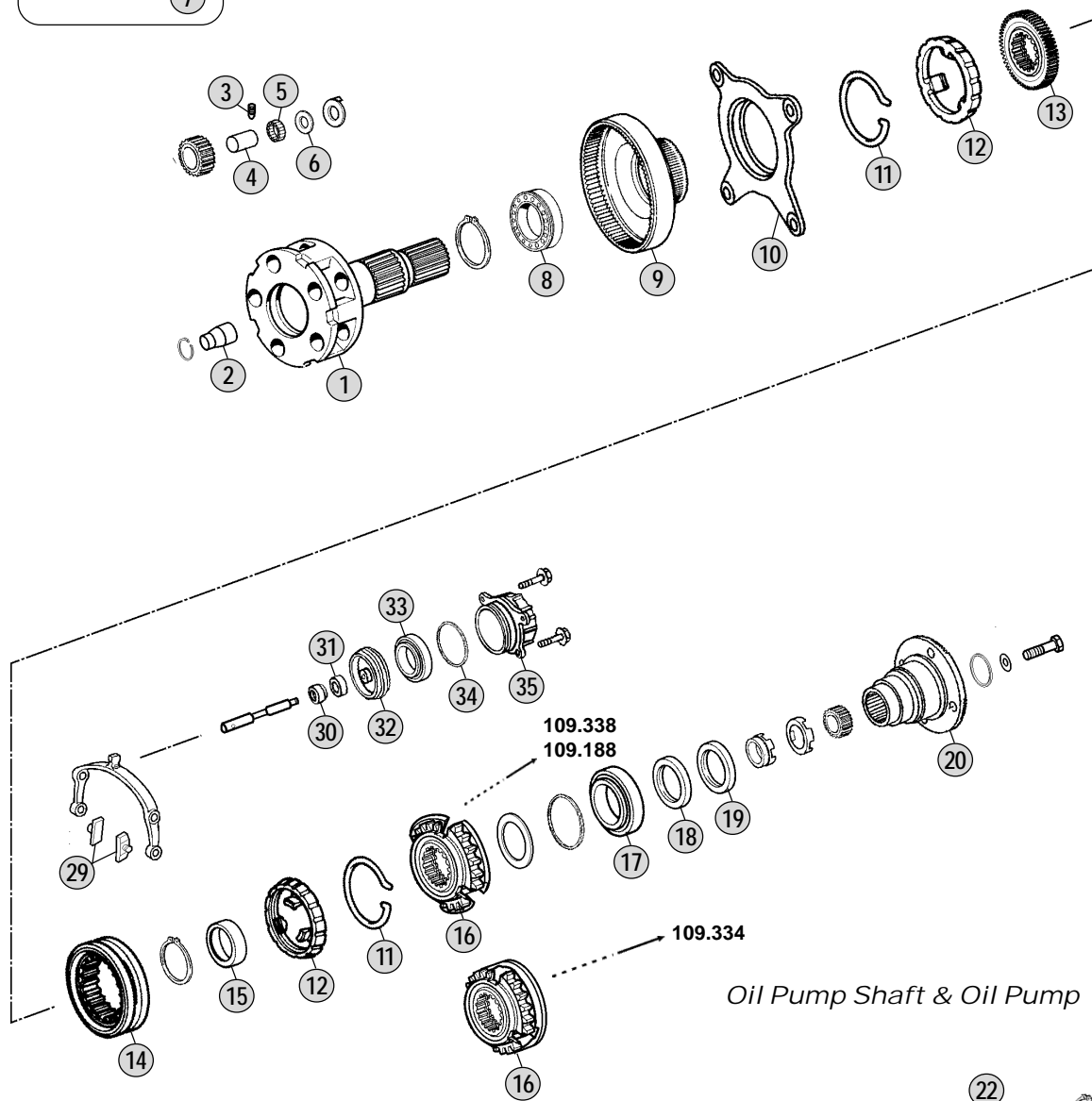
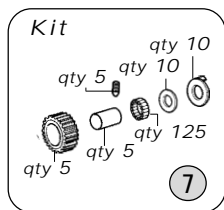
Table

0255

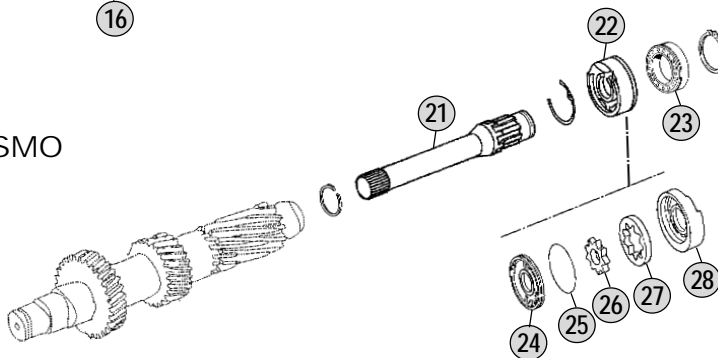
All original equipment manufacturers numbers, symbols, pictures, models and description used in this catalogue are for reference only, and it is not implied that any part listed is the product of these manufactures.
 Tutti i nostri particolari non sono originali ma con essi intercambiabili. I riferimenti originali, le figure, i modelli sono esposti a semplice titolo indicativo. La nostra produzione riporta il nostro marchio.

Adattabile a : **MERCEDES**
 Suitable To :

Modelli Cambio/ Gearbox Models
GO210 (8 Speeds)



Models
 NEW TRAVEGO - TOURISMO
 (CH 632.xxx - 629.xxx)
 INTEGRO
 (CH 633.xxx)



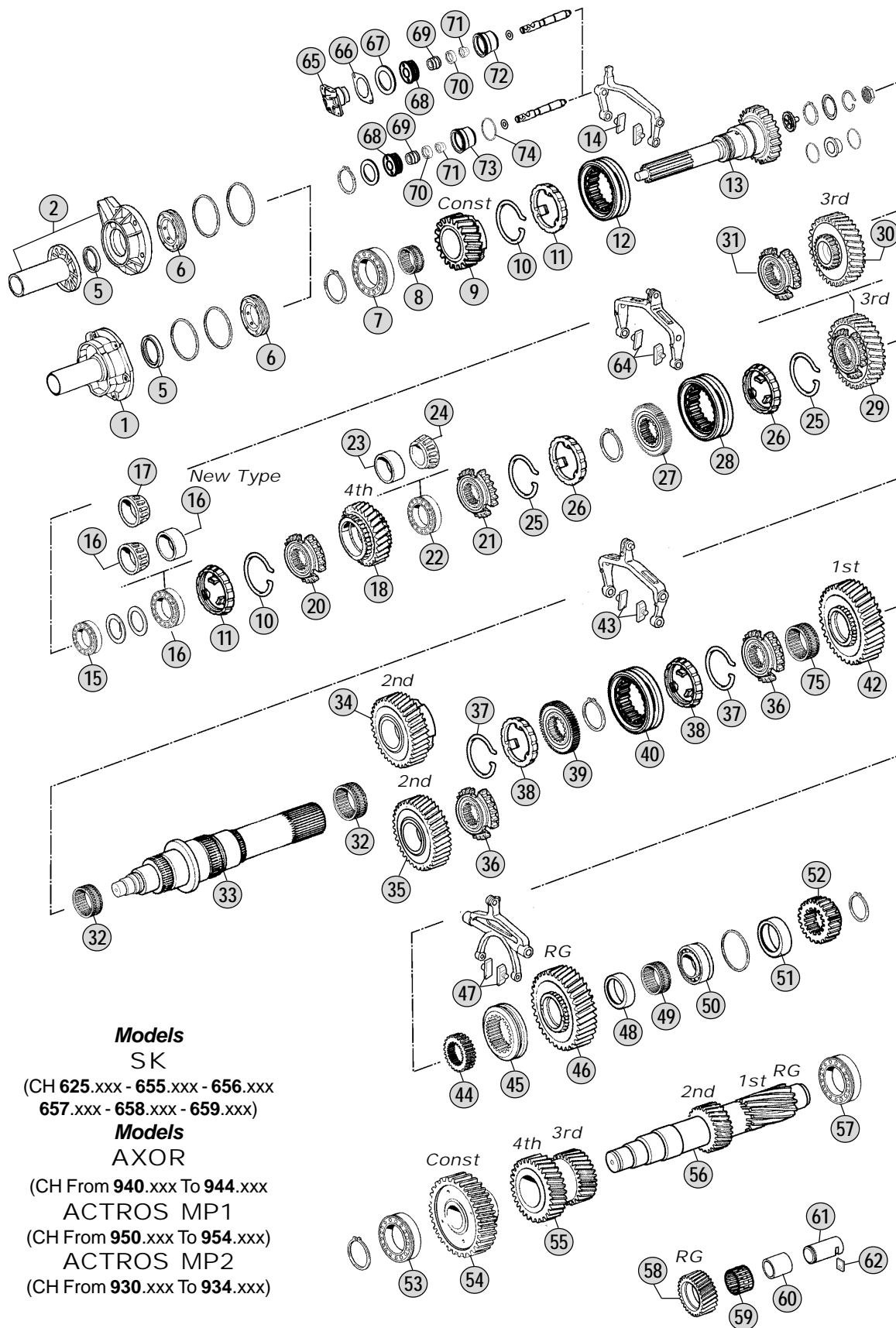
All original equipment manufacturers numbers, symbols and description used in this catalogue are for reference only, and it is not implied that any part listed is the product of these manufactures.
 Tutti i nostri particolari non sono originali ma con essi intercambiabili. I riferimenti originali, le figure, i modelli sono esposti a semplice titolo indicativo. La nostra produzione riporta il nostro marchio.

Models

GO210 - 8 / 11,8 - 1,00 714.743(EPS)



Adattabile a : **MERCEDES**
Suitable To :



- Models**
SK
(CH 625.xxx - 655.xxx - 656.xxx
657.xxx - 658.xxx - 659.xxx)
- Models**
AXOR
(CH From 940.xxx To 944.xxx
ACTROS MP1
(CH From 950.xxx To 954.xxx)
ACTROS MP2
(CH From 930.xxx To 934.xxx)

All original equipment manufacturers' numbers, symbols, models and description used in this catalogue are for reference only, and it is not implied that any part listed is the product of these manufacturers. Tutti i nostri particolari non sono originali ma con essi intercambiabili. I riferimenti originali, le figure, i modelli sono esposti a semplice titolo indicativo. La nostra produzione riporta il nostro marchio.

Models

G210 - 16 / 14,2 - 0,83 715.240(EPS)-241-242-252-253-500-501-504



Fig.	CEI no.	Rif. MB	Description	Q.ty	Note	G210-16/14,2-0,83				
1	135.135	389 261 4518	Front Cover	1		●				
2	135.134	945 261 1118	Front Cover	1	Latest Models	●				
5	139.556	019 997 0547	Oil Seal 56x72x8	1		●				
6	139.555	389 261 0865	Diaphragm	1		●				
7	130.550	011 981 1305	Bearing 75x140x34,3	1		●				
8	137.188	016 981 0010	Needle Cage K89x97x40ZW	1		●				
9	145.584	945 262 4110	Constant Gear 32 T	1	(G)	●				
9	145.971	945 262 7517	Constant Gear 32 T	1	(H)	●				
10	111.204	387 262 1093	Elastic Ring	2		●				
11	119.112	389 262 0637	Synchronizer Ring	2	(G)	●				
11	119.226	389 262 3137	Synchronizer Ring	2	(G) LONG LIFE	●				
11	119.271	947 260 0545	Synchronizer Ring	2	(H)	●				
11	119.300	CEI 119300	Synchronizer Ring	2	(H) LONG LIFE	●				
12	154.221	945 262 0323	Sliding Sleeve	1	(G)	●				
12	154.408	M945 262 0323	Sliding Sleeve	1	(G) LONG LIFE	●				
12	154.399	945 262 6823	Sliding Sleeve	1	(H)	●				
12	154.457	M945 262 6823	Sliding Sleeve	1	(H) LONG LIFE	●				
13	102.276	389 262 6501	Input Shaft	1	715.240-241-242-252-253	●				
13	102.275	389 262 8201	Input Shaft	1	715.500-501-504	●				
13	102.277	945 262 4703	Input Shaft	1	With NMW Old Gen.	●				
13	102.497	945 262 6303	Input Shaft	1	With NMW New Gen.	●				
13	102.498	945 262 2482	Input Shaft	1	Special Application	●				
14	141.165	947 265 0349	Slide Fork	2	BRASS	●				
14	141.221	M947 265 0349	Slide Fork	2	IRON	●				
15	130.558	015 981 1605	Bearing 39,65x82,3x41	1		●				
16	130.557	011 981 7605	Bearing 50x90x32	1	Oem Assy - Old Type	●				
16	530.557	011 981 7605	Bearing 50x90x32	1	A.Market Assy - Old Type	●				
16	130.561	015 981 7605	Bearing 50x85x41	1	New - With 244.020	●				
16	130.555	002 981 1680	Ring D.90	1	New - With 244.020	●				
17	130.562	011 981 6005	Bearing 50x90x32	1	New - With 145.585	●				
17	130.561	015 981 7605	Bearing 50x85x41	1	New - With 145.586	●				
18	244.020	389 260 8908	Gear 4th Speed 29 T	1	(A)(*)	●				
18	145.585	389 262 8610	Gear 4th Speed 29 T	1	(A)	●				
18	145.586	945 262 0510	Gear 4th Speed 29 T	1	(B)	●				
20	109.329	945 262 4034	Synchronizer Cone	1	(A)	●				
20	109.335	945 262 0334	Synchronizer Cone	1	(BG)	●				
20	109.742	945 262 3634	Synchronizer Cone	1	(H)	●				
21	109.329	945 262 4034	Synchronizer Cone	1	(A)	●				
21	109.189	945 262 0534	Synchronizer Cone	1	(BG)	●				
21	109.414	945 262 5434	Synchronizer Cone	1	(H)	●				
22	130.546	011 981 7705	Bearing 55x90x24	1	Assy - Old Type	●				
23	130.548	002 981 1580	Ring D.90	1	New - Only With 244.020	●				
24	130.547	CEI 130547	Bearing 55x24	1	New	●				
25	111.204	387 262 1093	Elastic Ring	2	(A)	●				
25	111.205	387 262 0893	Elastic Ring	2	(B)	●				

Notes

- (A) Up to gearbox 438701 (B) From gearbox 438702
 (E) Up to gearbox 313860 - See GP section (table 0265) for the coupling
 (F) From gearbox 313861 - See GP section (table 0265) for the coupling
 (G) Up to gearbox 502734 (H) From gearbox 502735
 (*) 1st Exec. with flanges (fig 20 & 21) Replaced by 1 pc. 389 262 8610 + 2 pcs 389 262 5334

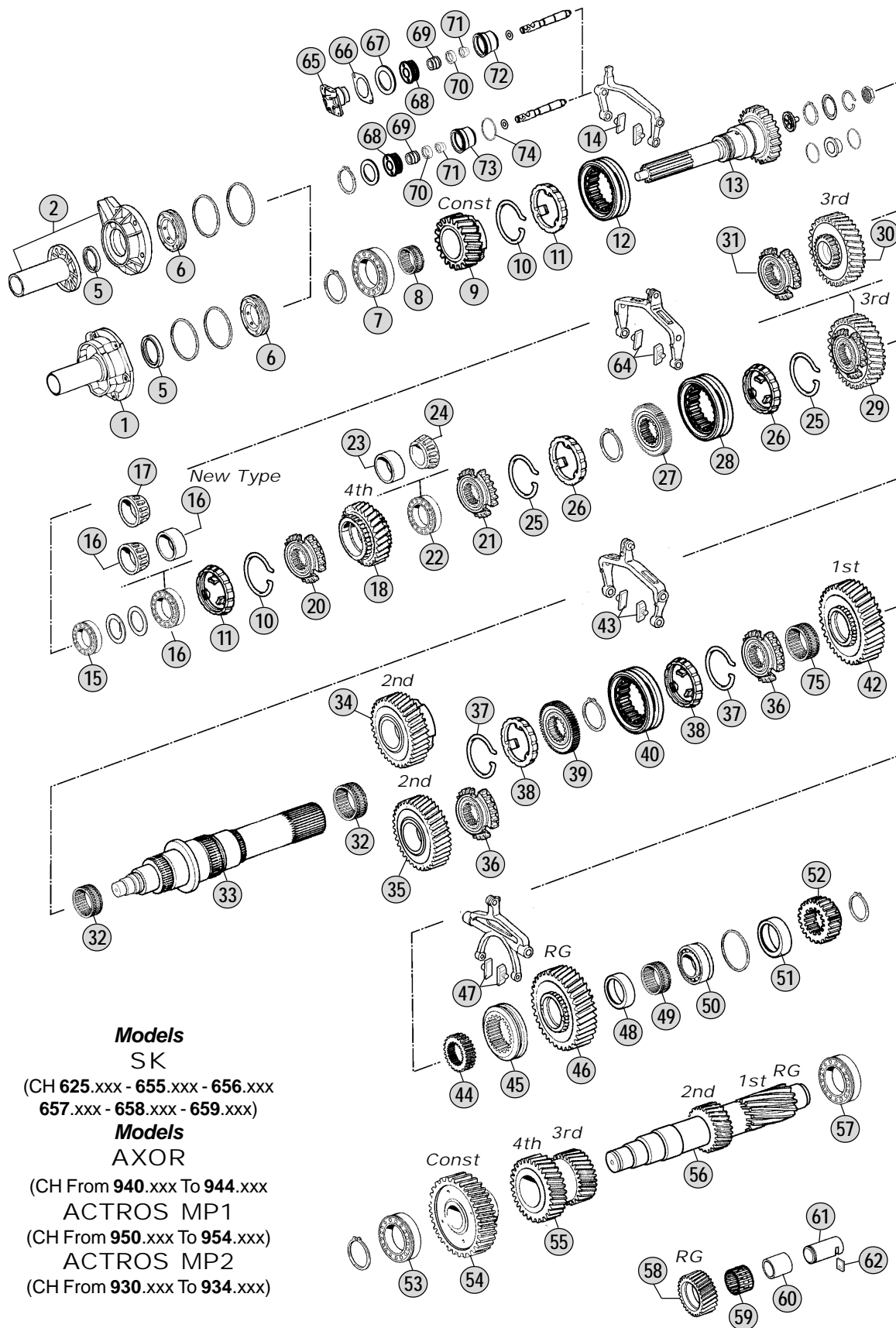
Date

04 / 2011

Table

0260

Adattabile a : **MERCEDES**
Suitable To :



- Models**
SK
(CH 625.xxx - 655.xxx - 656.xxx
657.xxx - 658.xxx - 659.xxx)
- Models**
AXOR
(CH From 940.xxx To 944.xxx
ACTROS MP1
(CH From 950.xxx To 954.xxx)
ACTROS MP2
(CH From 930.xxx To 934.xxx)

All original equipment manufacturers' numbers, symbols, models and description used in this catalogue are for reference only, and it is not implied that any part listed is the product of these manufactures. Tutti i nostri particolari non sono originali ma con essi intercambiabili. I riferimenti originali, le figure, i modelli sono esposti a semplice titolo indicativo. La nostra produzione riporta il nostro marchio.

Models

G210 - 16 / 14,2 - 0,83 715.240(EPS)-241-242-252-253-500-501-504



Fig.	CEI no.	Rif. MB	Description	Q.ty	Note	G210-16/14,2-0,83				
26	119.112	389 262 0637	Synchronizer Ring	2	(A)	●				
26	119.226	389 262 3137	Synchronizer Ring	2	(A) LONG LIFE	●				
26	119.161	389 262 0737	Synchronizer Ring	2	(BG)	●				
26	119.225	389 262 3237	Synchronizer Ring	2	(BG) LONG LIFE	●				
26	119.237	946 262 6137	Synchronizer Ring	2	(H)	●				
26	119.299	CEI 119299	Synchronizer Ring	2	(H) LONG LIFE	●				
27	157.555	389 262 2835	Synchronizer Hub	1	(A)	●				
27	157.556	389 262 4735	Synchronizer Hub	1	(B)	●				
28	154.221	945 262 0323	Sliding Sleeve	1	(A)	●				
28	154.408	M945 262 0323	Sliding Sleeve	1	(A) LONG LIFE	●				
28	154.220	945 262 0423	Sliding Sleeve	1	(B)	●				
28	154.409	M945 262 0423	Sliding Sleeve	1	(BG) LONG LIFE	●				
28	154.388	945 262 6523	Sliding Sleeve	1	(H)	●				
28	154.460	M945 262 6523	Sliding Sleeve	1	(H) LONG LIFE	●				
29	145.589	389 262 1813	Gear 3rd Speed 34 T	1	(A)	●				
30	145.591	945 262 3513	Gear 3rd Speed 34 T	1	(B)	●				
31	109.189	945 262 0534	Synchronizer Cone	1	(BG)	●				
31	109.414	945 262 5434	Synchronizer Cone	1	(H)	●				
32	137.177	018 981 6610	Needle Cage K85x93x53ZWD	2		●				
33	103.150	389 262 2405	Main Shaft	1	(A)	●				
33	103.149	945 262 3605	Main Shaft	1	(B) Old Bearing	●				
33	103.188	945 262 4505	Main Shaft	1	(B) New Bearing	●				
34	145.614	389 260 4919	Gear 2nd Speed 39 T	1	Old-Repl.by 1pc.Fig.35+1pc.Fig.36	●				
35	145.615	945 262 3112	Gear 2nd Speed 39 T	1		●				
36	109.187	945 262 0434	Synchronizer Cone	2	(G)	●				
36	109.415	945 262 5534	Synchronizer Cone	2	(H)	●				
37	111.205	387 262 0893	Elastic Ring	2		●				
38	119.161	389 262 0737	Synchronizer Ring	2	(G)	●				
38	119.225	389 262 3237	Synchronizer Ring	2	(G) LONG LIFE	●				
38	119.237	946 262 6137	Synchronizer Ring	2	(H)	●				
38	119.299	CEI 119299	Synchronizer Ring	2	(H) LONG LIFE	●				
39	157.557	389 262 2535	Synchronizer Hub	1		●				
40	154.220	945 262 0423	Sliding Sleeve	1	(G)	●				
40	154.409	M945 262 0423	Sliding Sleeve	1	(G) LONG LIFE	●				
40	154.388	945 262 6523	Sliding Sleeve	1	(H)	●				
40	154.460	M945 262 6523	Sliding Sleeve	1	(H) LONG LIFE	●				
42	145.616	389 262 2711	Gear 1st Speed 44 T	1		●				
43	141.165	947 265 0349	Slide Fork	2	BRASS	●				
43	141.221	M947 265 0349	Slide Fork	2	IRON	●				
44	157.603	389 262 0135	Synchronizer Hub	1	With 154.224	●				
44	157.606	389 262 3935	Synchronizer Hub	1	With 154.223 / Old Type	●				
44	155.232	945 262 3835	Synchronizer Hub	1	With 154.223 / New Type	●				
45	154.224	389 262 1723	Sliding Sleeve	1		●				
45	154.223	389 262 1823	Sliding Sleeve	1		●				
46	147.161	945 262 3233	Reverse Gear 40 T	1	With 154.224	●				

Notes

- (A) Up to gearbox 438701 (B) From gearbox 438702
 (E) Up to gearbox 313860 - See GP section (table 0265) for the coupling
 (F) From gearbox 313861 - See GP section (table 0265) for the coupling
 (G) Up to gearbox 502734 (H) From gearbox 502735
 (*) 1st Exec. with flanges (fig 20 & 21) Replaced by 1 pc. 389 262 8610 + 2 pcs 389 262 5334

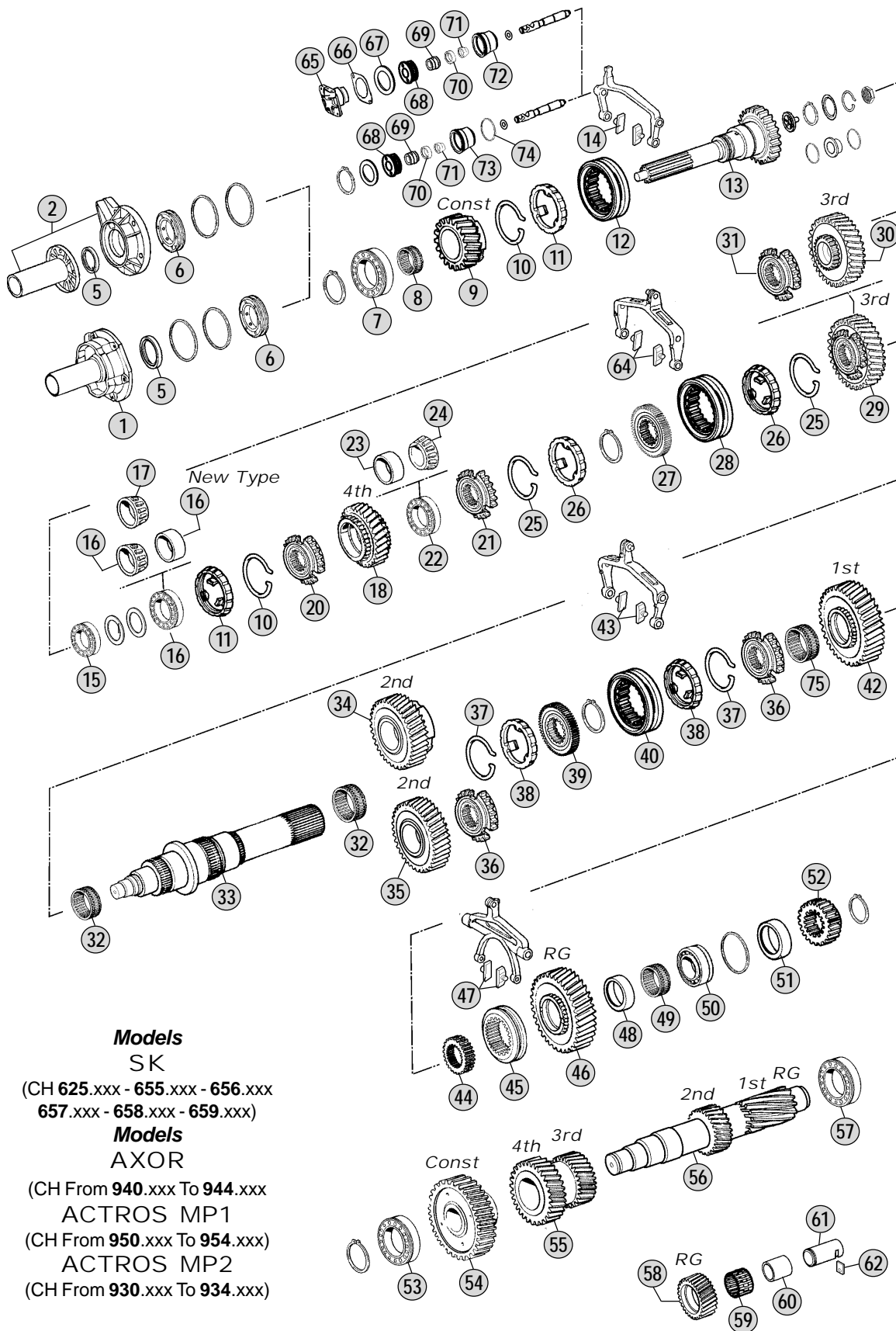
Date

04 / 2011

Table

0260

Adattabile a : **MERCEDES**
Suitable To :



Models

SK

(CH 625.xxx - 655.xxx - 656.xxx
657.xxx - 658.xxx - 659.xxx)

Models

AXOR

(CH From 940.xxx To 944.xxx
ACTROS MP1
(CH From 950.xxx To 954.xxx)
ACTROS MP2
(CH From 930.xxx To 934.xxx)

All original equipment manufacturers' numbers, symbols, models and description used in this catalogue are for reference only, and it is not implied that any part listed is the product of these manufactures. Tutti i nostri particolari non sono originali ma con essi intercambiabili. I riferimenti originali, le figure, i modelli sono esposti a semplice titolo indicativo. La nostra produzione riporta il nostro marchio.

Models

G210 - 16 / 14,2 - 0,83 715.240(EPS)-241-242-252-253-500-501-504

Fig.	CEI no.	Rif. MB	Description	Q.ty	Note				
46	145.617	389 262 1733	Reverse Gear 40 T	1	With 154.223	●			
46	147.163	945 262 3333	Reverse Gear 40 T	1	With 154.223 / Old Type	●			
46	147.245	945 262 4433	Reverse Gear 40 T	1	With 154.223 / New Type	●			
47	141.160	945 265 0149	Slide Fork	2		●			
48	117.327	389 262 2550	Bush	1		●			
49	137.187	009 981 1510	Needle Cage K78x86x35ZW	1		●			
50	130.552	014 981 6105	Bearing 60x130x30	1		●			
51	117.325	389 262 3754	Spacer Th.18(74x60) mm	1		●			
52	157.604	389 262 0509	Sun Gear 25 T	1	(E)	●			
52	157.605	945 262 0909	Sun Gear 25 T	1	(F)	●			
53	130.554	014 981 1405	Bearing 50,8x100x35	1		●			
54	146.499	945 263 0810	Constant Gear 31 T	1		●			
55	143.101	389 263 1913	Double gear 4th/3rd Sp.-34/27 T	1	(A)	●			
55	143.102	945 263 1013	Double Gear 4th/3rd Sp.-34/27 T	1	(B)	●			
56	105.132	945 263 2902	Countershaft 21/16 T	1		●			
57	130.553	016 981 1205	Bearing 60x130x33,8	1		●			
58	147.162	389 263 1031	Reverse Gear 21 T	1		●			
59	137.181	012 981 8910	Needle Cage K42x50x51ZW	1		●			
60	117.324	389 263 0850	Bush Th.18(74x60) mm	1		●			
61	107.239	389 263 0430	Reverse Shaft	1	Old Style	●			
61	107.174	976 263 0030	Reverse Shaft	1	New Style	●			
62	188.245	389 263 0041	Key	1	Old Style	●			
62	188.236	945 263 0041	Key	1	New Style	●			
64	141.165	947 265 0349	Slide Fork	2	BRASS	●			
64	141.221	M947 265 0349	Slide Fork	2	IRON	●			
65	132.067	389 267 2819	Cylinder	1		●			
66	139.818	387 263 3352	Gasket Th.0,20 mm	1		●			
66	169.844	387 263 3452	Gasket Th.0,40 mm	1		●			
66	139.819	387 263 3552	Gasket Th.0,60 mm	1		●			
66	139.820	387 263 3752	Gasket Th.1,00 mm	1		●			
67	139.596	007 997 4248	O Ring 63x3	1		●			
68	189.680	945 267 0218	Piston	1		●			
69	139.813	006 997 6447	Oil Seal 41x48x11,5	1		●			
70	117.412	387 267 0650	Bush Th.8(34x22) mm	1		●			
71	139.834	000 267 0197	Oil Seal 22x32x8	1		●			
72	132.068	389 267 3319	Cylinder	1		●			
73	132.075	945 267 0619	Cylinder	1		●			
74	139.857	022 997 4248	Seal Ring	1		●			
74	139.858	016 997 6648	Seal Ring	1		●			
75	137.182	008 981 8310	Needle Cage 75x83x55W	1	Old Type With 103.150/103.149	●			
75	137.251	018 981 8110	Needle Cage 75x83x48	1	New Type With 103.188	●			

Notes

- (A) Up to gearbox 438701 (B) From gearbox 438702
 (E) Up to gearbox 313860 - See GP section (table 0265) for the coupling
 (F) From gearbox 313861 - See GP section (table 0265) for the coupling
 (G) Up to gearbox 502734 (H) From gearbox 502735
 (*) 1st Exec. with flanges (fig 20 & 21) Replaced by 1 pc. 389 262 8610 + 2 pcs 389 262 5334

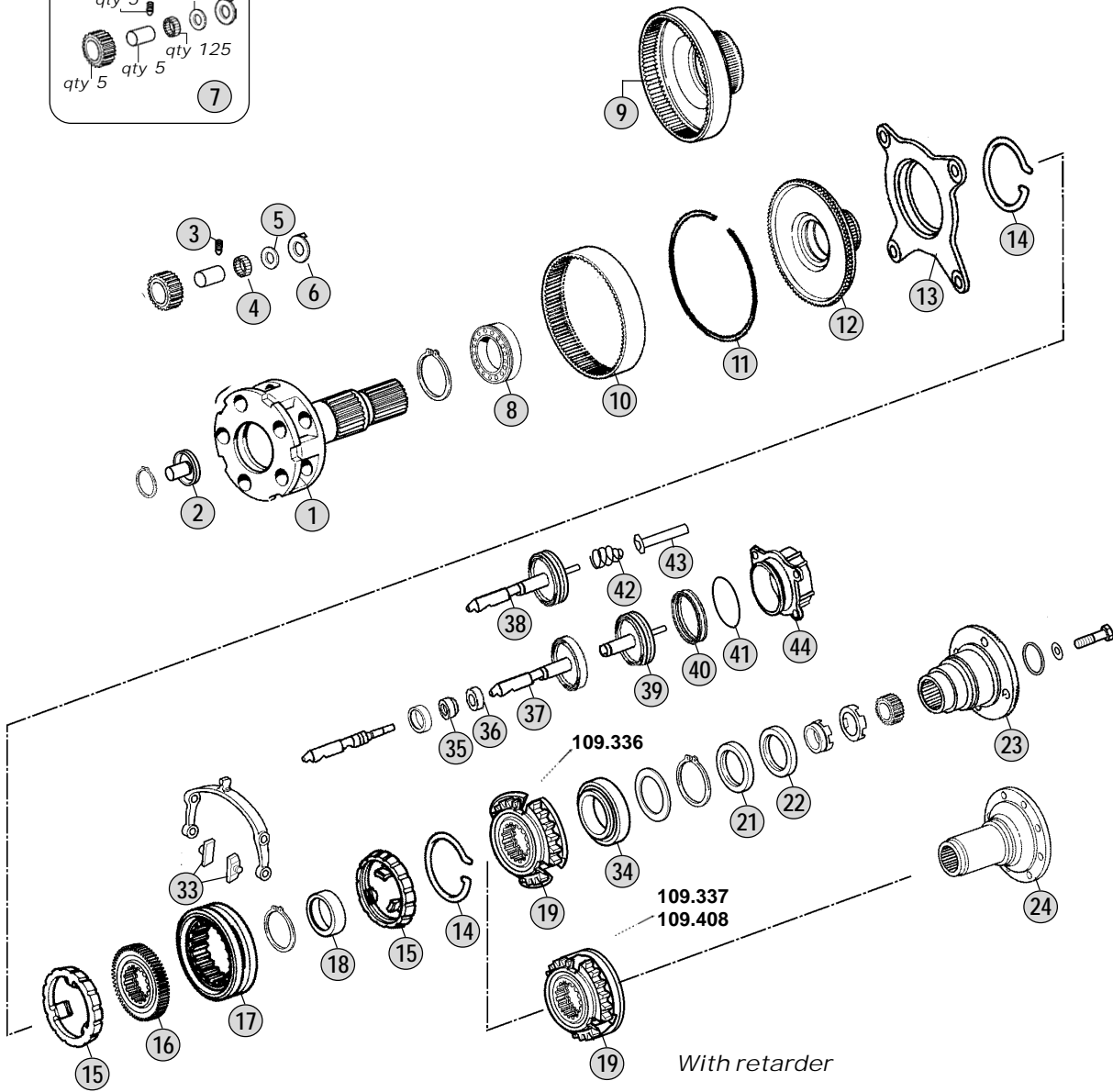
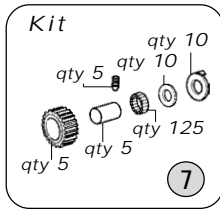
Date

04 / 2011

Table

0260

Adattabile a : **MERCEDES**
Suitable To :



Models

SK

(CH 625.xxx - 655.xxx - 656.xxx
657.xxx - 658.xxx - 659.xxx)

Models

AXOR

(CH From 940.xxx To 944.xxx
ACTROS MP1
(CH From 950.xxx To 954.xxx)
ACTROS MP2
(CH From 930.xxx To 934.xxx)

Models

G210 - 16 / 14,2 - 0,83 715.240(EPS)-241-242-252-253-500-501-504

All original equipment manufacturers' numbers, symbols, pictures, models and description used in this catalogue are for reference only, and it is not implied that any part listed is the product of these manufactures. Tutti i nostri particolari non sono originali ma con essi intercambiabili. I riferimenti originali, le figure, i modelli sono esposti a semplice titolo indicativo. La nostra produzione riporta il nostro marchio.

Fig.	CEI no.	Rif. MB	Description	Q.ty	Note				
1	190.441	389 260 8661	Planetary Carrier (Empty)	1	(1)	Empty-Old Type	●		
1	190.337	946 260 3661	Planetary Carrier (Empty)	1		Empty	●		
1	190.338	945 260 4661	Planetary Carrier (Complete)	1		Complete	●		
2	188.181	945 269 0834	Oil Tube	1			●		
3	187.609	000914 006109	Stud 6x14 mm	5			●		
4	171.057	000 981 4186	Needle 5x39,8	125			●		
5	169.801	389 262 0162	Spacer	10			●		
6	169.803	389 262 1462	Thrust Washer	10			●		
7	198.885	655 260 0097	Repair Kit	1	(E)		●		
7	198.886	655 260 0197	Repair Kit	1	(F)		●		
8	130.540	008 981 1325	Bearing 90x130x14	1			●		
9	123.231	389 262 0608	Crown gear	1	(E)		●		
9	123.230	945 262 0108	Crown Gear 85 T D.269 mm	1	(F)	ALT-1 pc.Fig.10+Fig.11+Fig.12	●		
10	123.295	389 262 0708	Crown Gear 85 T D.269-H 64mm	1	(F)	ALT-1 pc.Fig.9 (Crown Assy)	●		
10	123.232	945 262 0208	Crown Gear 85 T D.269-H 70mm	1	(F)	ALT-1 pc.Fig.9 (Crown Assy)	●		
10	123.313	945 262 0808	Crown Gear 85 T D.271-H 70mm	1	(F)	ALT-1 pc.Fig.9 (Crown Assy)	●		
11	111.209	389 262 0773	Lock Ring	1			●		
12	150.144	389 262 1425	Carrier Hub 85 T	1	(F)	ALT-1 pc.Fig.9 (Crown Assy)	●		
13	198.879	389 260 2036	Synchronizer Flange	1	(G)		●		
13	298.054	947 260 3036	Synchronizer Flange	1	(H)		●		
14	111.206	389 262 0293	Elastic Ring	2			●		
15	119.160	389 262 0537	Synchronizer Ring	2	(G)		●		
15	119.250	389 262 3337	Synchronizer Ring	2	(G)	LONG LIFE	●		
15	119.224	947 260 0945	Synchronizer Ring	2	(H)		●		
15	119.298	CEI 119298	Synchronizer Ring	2	(H)	LONG LIFE	●		
16	155.204	389 262 2035	Synchronizer Hub	1			●		
17	154.217	945 262 6623	Sliding Sleeve	1	(G)		●		
17	154.433	M945 262 6623	Sliding Sleeve	1	(G)	LONG LIFE	●		
17	154.378	945 262 6923	Sliding Sleeve	1	(H)		●		
17	154.458	M945 262 6923	Sliding Sleeve	1	(H)	LONG LIFE	●		
18	117.322	389 262 0251	Bush	1			●		
19	109.336	389 262 4434	Synchronizer Cone GP	1	(G)		●		
19	109.337	389 262 9234	Synchronizer Cone	1	(G)		●		
19	109.408	945 262 3834	Synchronizer Cone	1	(H)		●		
20	109.342	389 264 0730	Synchronizer Cone W/RET.63 T	1	(G)	With Retarder	●		
20	109.794	930 264 0120	Synchronizer Cone W/RET.	1	(G)	With Retarder	●		
20	109.793	945 264 0520	Synchronizer Cone W/RET.63 T	1	(H)	With Retarder	●		
20	196.369	930 264 0320	Synchronizer Cone W/RET.64 T	1	(H)	With Retarder	●		
21	139.551	013 997 7247	Oil Seal 95x115x13	1			●		
21	139.552	013 997 7347	Oil Seal 95x115x13	1		For Model with VOITH Retarder	●		
21	139.557	015 997 6447	Oil Seal	1		For Model with TELMA Retarder	●		
22	139.552	013 997 7347	Oil Seal 95x115x13	1			●		
22	139.558	017 997 1247	Oil Seal	1		For Model with TELMA Retarder	●		
23	197.083	945 262 0045	Output Flange D.180 mm	1			●		
23	197.173	930 262 0045	Output Flange D.180 mm	1			●		

Notes

- (E) Up to gearbox 313860 - See Sun gear (table 0260) for the coupling
 (F) From gearbox 313861 - See Sun gear (table 0260) for the coupling
 (G) Up to gearbox 36686 (H) From gearbox 36687
 (1) Old Type Planet carrier uses old bearing type.
 The old type is replaced by : 1 pc 945 260 4461 + 1 pc 008 981 3025

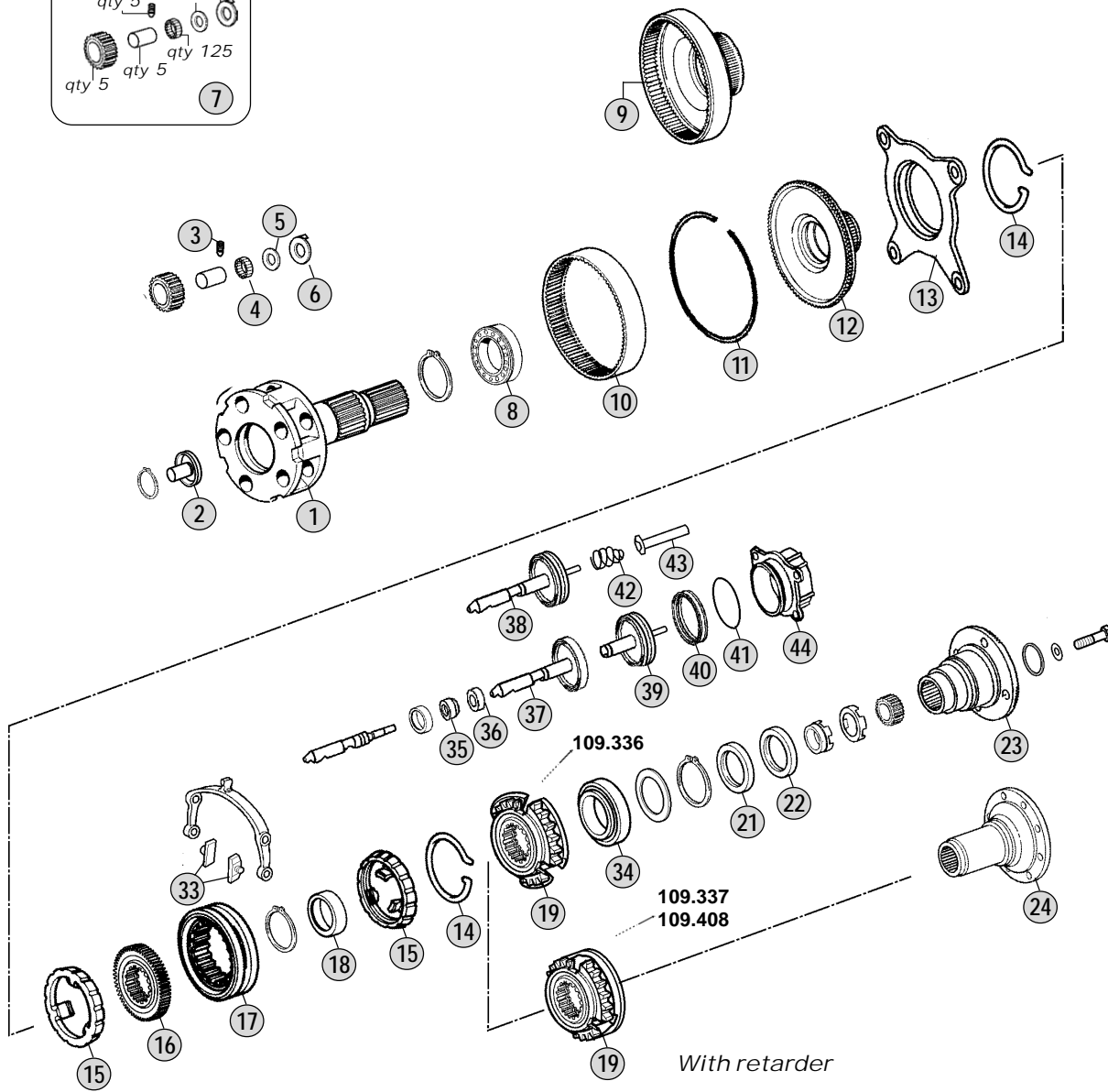
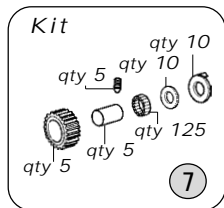
Date

04 / 2011

Table

0265

Adattabile a : **MERCEDES**
Suitable To :



Models

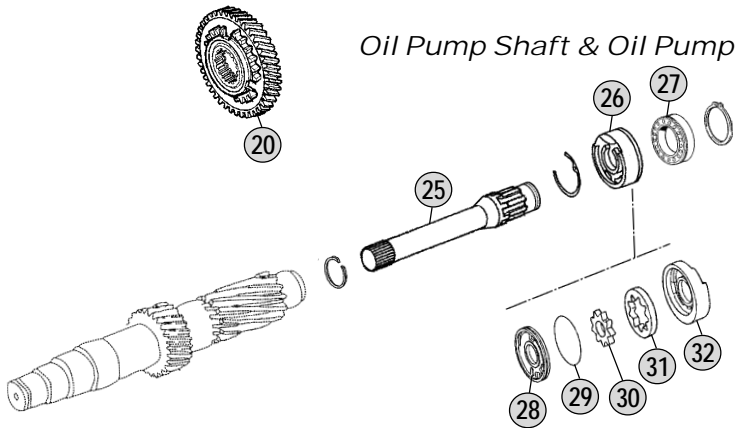
SK

(CH 625.xxx - 655.xxx - 656.xxx
657.xxx - 658.xxx - 659.xxx)

Models

AXOR

(CH From 940.xxx To 944.xxx
ACTROS MP1
(CH From 950.xxx To 954.xxx)
ACTROS MP2
(CH From 930.xxx To 934.xxx)



All original equipment manufacturers numbers, symbols and description used in this catalogue are for reference only, and it is not implied that any part listed is the product of these manufactures. Tutti i nostri particolari non sono originali ma con essi intercambiabili. I riferimenti originali, le figure, i modelli sono esposti a semplice titolo indicativo. La nostra produzione riporta il nostro marchio.

Models

G210 - 16 / 14,2 - 0,83 715.240(EPS)-241-242-252-253-500-501-504

Fig.	CEI no.	Rif. MB	Description	Q.ty	Note	G210-16/14,2-0,83				
23	197.082	389 262 0645	Output Flange D.200 mm	1		●				
23	197.174	930 262 0145	Output Flange D.200 mm	1		●				
23	197.081	389 262 0545	Output Flange D.180 mm	1	For Model with VOITH Retarder	●				
23	197.080	389 262 0945	Output Flange D.200 mm	1	For Model with VOITH Retarder	●				
24	197.209	930 262 0245	Output Flange D.180 mm	1	For Model with TELMA Retarder	●				
24	197.085	387 264 1945	Output Flange D.198 mm	1	For Model with TELMA Retarder	●				
24	197.207	387 264 2045	Output Flange D.198 mm	1	For Model with TELMA Retarder	●				
24	197.084	945 262 0445	Output Flange D.200 mm	1	For Model with TELMA Retarder	●				
24	197.208	945 262 0545	Output Flange D.200 mm	1	For Model with TELMA Retarder	●				
25	101.123	389 269 1210	Oil Pump Shaft	1		●				
25	101.168	947 269 1010	Oil Pump Shaft	1		●				
25	101.169	947 269 1110	Oil Pump Shaft	1		●				
26	280.587	389 260 0690	Oil Pump	1	Old Type-Assembly	●				
27	130.538	004 981 9225	Bearing 45x75x16	1	With 101.123	●				
27	130.859	008 981 5425	Bearing	1	With 101.168/101.169	●				
28	189.607	389 269 2601	Oil Pump Cover	1	New Type-Disassembled	●				
29	111.208	029 997 5748	O Ring	1	New Type-Disassembled	●				
30	189.606	389 269 1406	Oil Pump Gear	1	New Type-Disassembled	●				
31	189.605	389 269 0706	Oil Pump Hub	1	New Type-Disassembled	●				
32	189.604	947 269 1001	Oil Pump Housing	1	New Type-Disassembled	●				
33	141.162	389 265 2449	Slide Fork	2	(A) BRASS	●				
33	141.219	M389 265 2449	Slide Fork	2	(A) IRON	●				
33	141.165	947 265 0349	Slide Fork	2	(B) BRASS	●				
33	141.221	M947 265 0349	Slide Fork	2	(B) IRON	●				
34	130.539	004 981 9325	Bearing 85x150x28	1	(1) Old Type	●				
34	130.564	008 981 3025	Bearing 80x150x28	1		●				
34	130.563	007 981 8201	Bearing	1	For Model with TELMA Retarder	●				
35	139.834	000 267 0197	Oil Seal 22x32x8	1		●				
36	117.412	387 267 0650	Bush Th.8(34x22) mm	1		●				
37	132.062	930 260 2789	Cylinder	1		●				
37	132.063	930 260 2889	Cylinder	1		●				
38	132.072	945 267 2117	Cylinder	1		●				
38	132.073	930 260 2389	Cylinder	1		●				
39	132.066	389 267 1018	Cylinder	1		●				
40	139.817	024 997 8347	Oil Seal 77x90x17	1		●				
41	139.859	017 997 6545	Oil Seal	1		●				
41	139.597	020 997 8948	O Ring 3,0x89,5	1		●				
42	156.204	008 993 0801	Spring	1		●				
42	156.206	000 993 6705	Spring	1		●				
43	188.242	000 543 5785	Oil Tube	1		●				
43	189.689	000 543 5485	Oil Tube	1		●				
44	132.065	945 267 1119	Cylinder	1		●				
44	132.069	945 267 1319	Cylinder	1		●				
44	132.077	001 260 4963	Cylinder	1		●				
44	132.078	001 260 8463	Cylinder	1		●				

All original equipment manufacturers numbers, pictures, models and description used in this catalogue are for reference only, and it is not implied that any part listed is the product of these manufactures.
Tutti i nostri particolari non sono originali ma con essi intercambiabili. I riferimenti originali, le figure, i modelli sono esposti a semplice titolo indicativo. La nostra produzione riporta il nostro marchio.

Notes

- (E) Up to gearbox 313860 - See Sun gear (table 0260) for the coupling
 (F) From gearbox 313861 - See Sun gear (table 0260) for the coupling
 (G) Up to gearbox 36686 (H) From gearbox 36687
 (1) Old Type Planet carrier uses old bearing type.
 The old type is replaced by : 1 pc 945 260 4461 + 1 pc 008 981 3025

Date

04 / 2011

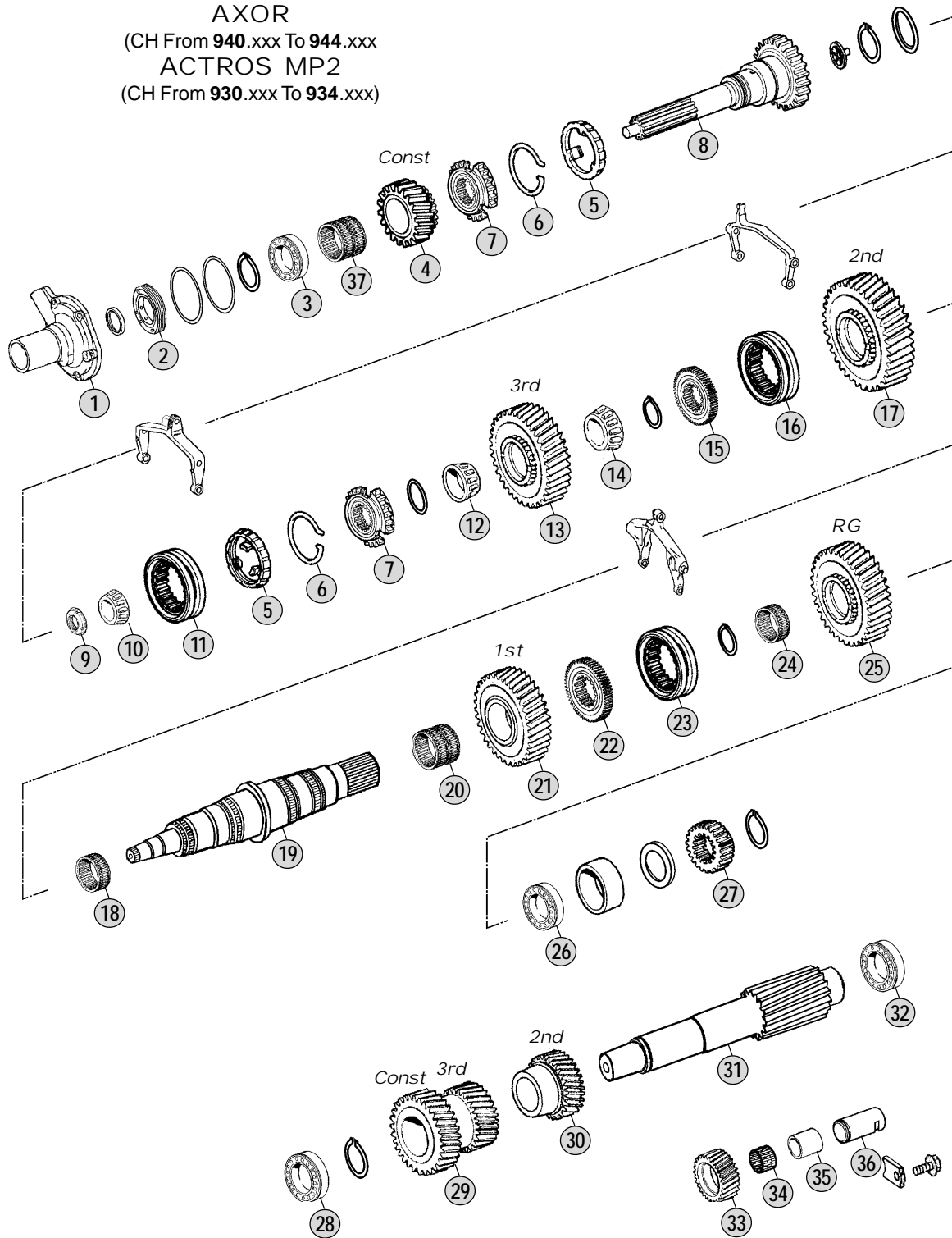
Table

0265

Adattabile a : **MERCEDES**
Suitable To :

Models
AXOR

(CH From 940.xxx To 944.xxx)
ACTROS MP2
(CH From 930.xxx To 934.xxx)



Models

G211 - 12 715.510-516

All original equipment manufacturers' numbers, symbols and description used in this catalogue are for reference only, and it is not implied that any part listed is the product of these manufactures. Tutti i nostri particolari non sono originali ma con essi intercambiabili. I riferimenti originali, le figure, i modelli sono esposti a semplice titolo indicativo. La nostra produzione riporta il nostro marchio.

Fig.	CEI no.	Rif. MB	Description	Q.ty	Note	G211-12				
1	135.221	947 261 0818	Front Cover	1		●				
2	139.555	389 261 0865	Diaphragm	1		●				
3	130.550	011 981 1305	Bearing 75x140x34,3	1		●				
4	146.693	947 262 5210	Constant Gear 29 T	1		●				
5	119.271	947 260 0545	Synchronizer Ring	2		●				
5	119.300	CEI 119300	Synchronizer Ring	2	LONG LIFE	●				
6	111.204	387 262 1093	Elastic Ring	2		●				
7	109.742	945 262 3634	Synchronizer Cone	2		●				
8	102.457	947 262 3202	Input Shaft	1		●				
9	187.676	945 990 0250	Nut M30x1,5	1		●				
10	130.556	014 981 1905	Bearing 39,6x77,7x40	1		●				
11	154.399	945 262 6823	Sliding Sleeve	1		●				
11	154.457	M945 262 6823	Sliding Sleeve	1	LONG LIFE	●				
12	130.561	015 981 7605	Bearing 50x85x41	1		●				
13	146.694	947 262 0117	Gear 3rd Speed 34 T	1		●				
14	130.558	015 981 1605	Bearing 39,65x82,3x41	1		●				
15	157.735	947 262 1435	Synchronizer Hub	1		●				
16	154.439	947 262 1123	Sliding Sleeve	1		●				
17	244.034	947 262 2012	Gear 2nd Speed 38 T	1		●				
18	137.182	008 981 8310	Needle Cage 75x83x55W	1		●				
19	103.238	947 262 1705	Main Shaft	1		●				
20	137.200	021 981 5710	Needle Cage 75x83x33W	1		●				
21	244.035	947 262 5310	Gear 1st Speed 41 T	1		●				
22	157.735	947 262 1435	Synchronizer Hub	1		●				
23	154.439	947 262 1123	Sliding Sleeve	1		●				
24	137.360	022 981 2310	Needle Cage	1		●				
25	147.259	947 262 1933	Reverse Gear 41 T	1		●				
26	130.864	016 981 7881	Bearing	1		●				
27	157.736	947 262 1209	Sun Gear 25 T	1	Old Type	●				
27	157.764	947 262 1609	Sun Gear 25 T	1	New Type	●				
28	130.554	014 981 1405	Bearing 50,8x100x35	1		●				
29	146.696	947 263 2910	Double Gear 33/36 T	1		●				
30	146.695	947 263 0312	Gear 2nd Speed 23 T	1		●				
31	105.243	947 263 2402	Countershaft 15 T	1		●				
32	130.862	002 981 7781	Bearing	1		●				
33	147.258	947 263 1431	Reverse Gear 19 T	1		●				
34	137.357	021 981 5610	Needle Cage	1		●				
35	117.437	947 263 0050	Bush	1		●				
36	107.174	976 263 0030	Reverse Shaft	1		●				
37	137.367	022 981 2010	Needle Cage	1		●				

Notes

Date

04 / 2011

Table

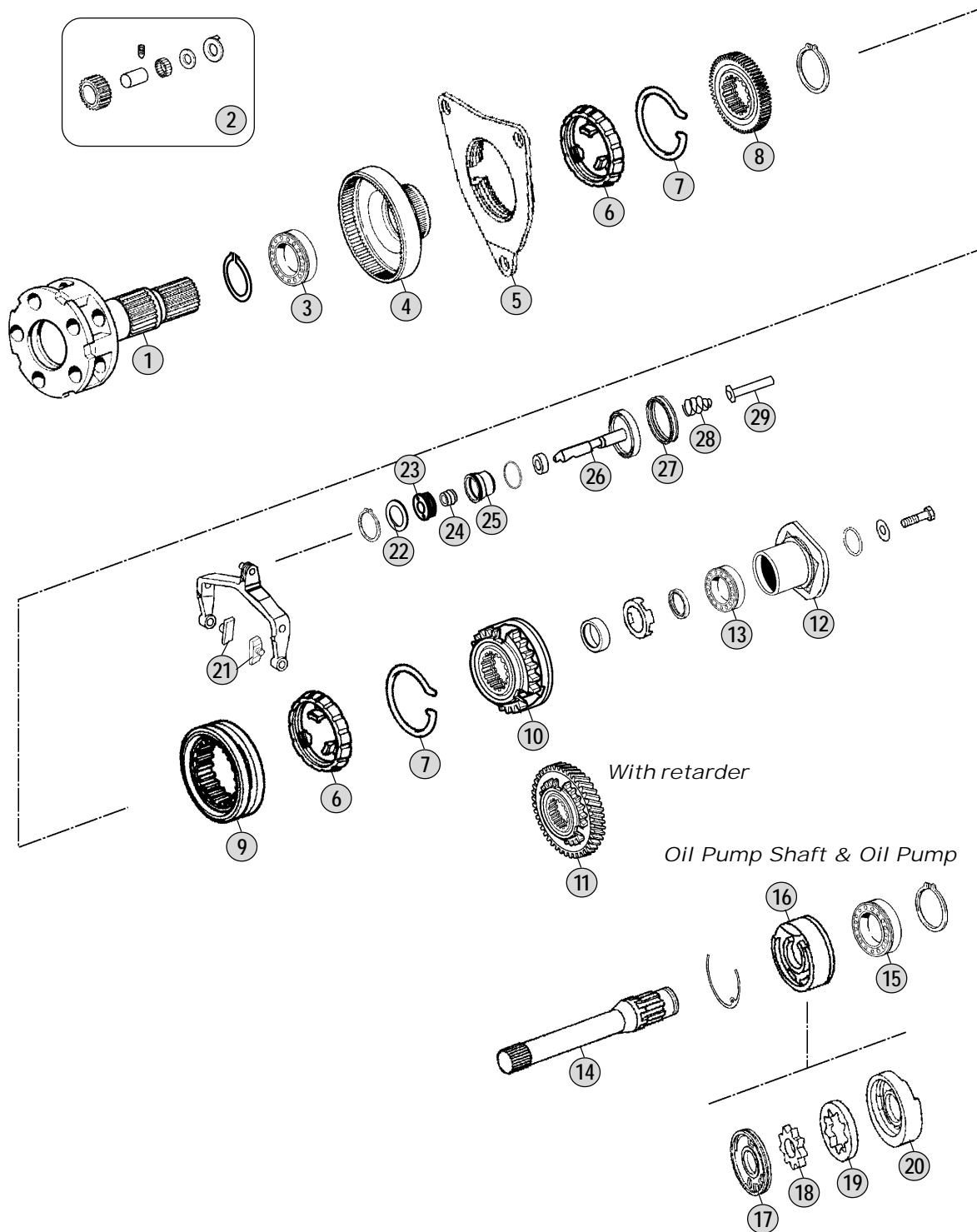
0270

All original equipment manufacturers numbers, symbols, pictures, models and description used in this catalogue are for reference only, and it is not implied that any part listed is the product of these manufactures.
Tutti i nostri particolari non sono originali ma con essi intercambiabili. I riferimenti originali, le figure, i modelli sono esposti a semplice titolo indicativo. La nostra produzione riporta il nostro marchio.

Adattabile a : **MERCEDES**
 Suitable To :

Modelli Cambio/ Gearbox Models
G211 (12 Speeds)

Models
AXOR
 (CH From **940.xxx** To **944.xxx**)
ACTROS MP2
 (CH From **930.xxx** To **934.xxx**)



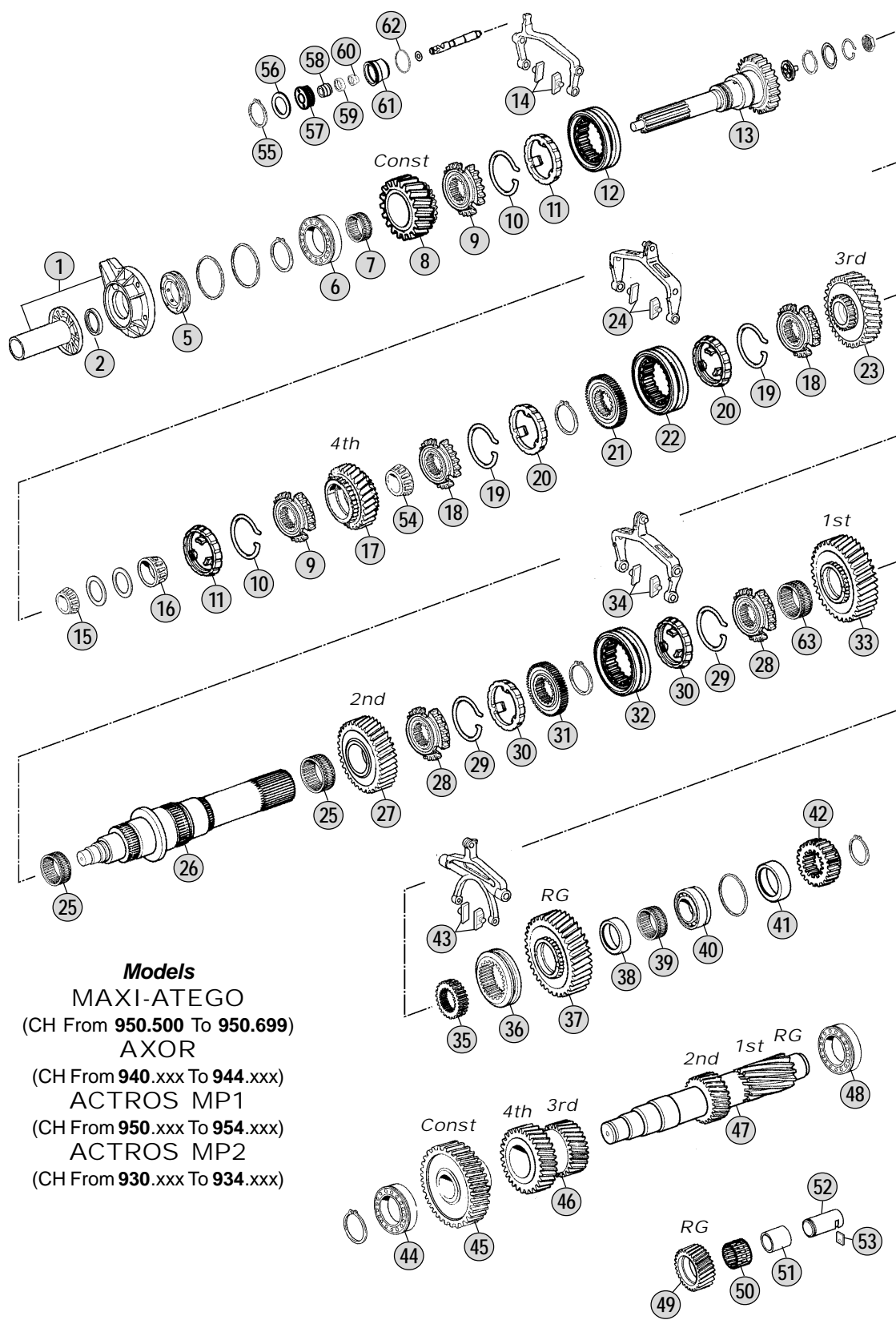
All original equipment manufacturers' numbers, symbols and description used in this catalogue are for reference only, and it is not implied that any part listed is the product of these manufactures. Tutti i nostri particolari non sono originali ma con essi intercambiabili. I riferimenti originali, le figure, i modelli sono esposti a semplice titolo indicativo. La nostra produzione riporta il nostro marchio.

Models

G211 - 12 **715.510-516**

Adattabile a : **MERCEDES**
 Suitable To :

Modelli Cambio/ Gearbox Models
G211 (16 Speeds)



Models
MAXI-ATEGO
 (CH From **950.500** To **950.699**)
AXOR
 (CH From **940.xxx** To **944.xxx**)
ACTROS MP1
 (CH From **950.xxx** To **954.xxx**)
ACTROS MP2
 (CH From **930.xxx** To **934.xxx**)

All original equipment manufacturers' numbers, symbols, models and description used in this catalogue are for reference only, and it is not implied that any part listed is the product of these manufactures.
 Tutti i nostri particolari non sono originali ma con essi intercambiabili. I riferimenti originali, le figure, i modelli sono esposti a semplice titolo indicativo. La nostra produzione riporta il nostro marchio.

Models

G211 - 16 / 17,03 - 1,00 **715.510-516**



All original equipment manufacturers numbers, symbols, pictures, models and description used in this catalogue are for reference only, and it is not implied that any part listed is the product of these manufactures.
Tutti i nostri particolari non sono originali ma con essi intercambiabili. I riferimenti originali, le figure, i modelli sono esposti a semplice titolo indicativo. La nostra produzione riporta il nostro marchio.

Fig.	CEI no.	Rif. MB	Description	Q.ty	Note				
1	135.134	945 261 1118	Front Cover	1		●			
2	139.556	019 997 0547	Oil Seal 56x72x8	1		●			
5	139.555	389 261 0865	Diaphragm	1		●			
6	130.550	011 981 1305	Bearing 75x140x34,3	1		●			
7	137.189	018 981 6410	Needle Cage 84x90x39,5	1		●			
8	145.618	945 262 4410	Constant Gear 27 T	1		●			
9	109.335	945 262 0334	Synchronizer Cone	2	(A)	●			
9	109.742	945 262 3634	Synchronizer Cone	2	(B)	●			
10	111.204	387 262 1093	Elastic Ring	2		●			
11	119.112	389 262 0637	Synchronizer Ring	2	(A)	●			
11	119.226	389 262 3137	Synchronizer Ring	2	(A) LONG LIFE	●			
11	119.271	947 260 0545	Synchronizer Ring	2	(B)	●			
11	119.300	CEI 119300	Synchronizer Ring	2	(B) LONG LIFE	●			
12	154.221	945 262 0323	Sliding Sleeve	1	(A)	●			
12	154.408	M945 262 0323	Sliding Sleeve	1	(A) LONG LIFE	●			
12	154.399	945 262 6823	Sliding Sleeve	1	(B)	●			
12	154.457	M945 262 6823	Sliding Sleeve	1	(B) LONG LIFE	●			
13	102.282	945 262 3201	Input Shaft	1		●			
13	102.280	945 262 6701	Input Shaft	1		●			
13	102.279	945 262 1901	Input Shaft	1	Old Type-With NMV	●			
13	102.278	389 262 7901	Input Shaft	1	Old Type-With NMV	●			
13	102.507	945 262 6003	Input Shaft	1	New Type-With NMV	●			
13	102.281	945 262 5401	Input Shaft	1	Old Type-With NMV	●			
13	102.506	945 262 5703	Input Shaft	1	New Type-With NMV	●			
14	141.165	947 265 0349	Slide Fork	2	BRASS	●			
14	141.221	M947 265 0349	Slide Fork	2	IRON	●			
15	130.556	014 981 1905	Bearing 39,6x77,7x40	1		●			
16	130.561	015 981 7605	Bearing 50x85x41	1		●			
17	145.586	945 262 0510	Gear 4th Speed 29 T	1	Shot Peened Treatment	●			
17	145.623	945 262 2310	Gear 4th Speed 29 T	1	Shot Blasted Treatment	●			
18	109.189	945 262 0534	Synchronizer Cone	2	(A)	●			
18	109.414	945 262 5434	Synchronizer Cone	2	(B)	●			
19	111.205	387 262 0893	Elastic Ring	2		●			
20	119.161	389 262 0737	Synchronizer Ring	2	(A)	●			
20	119.225	389 262 3237	Synchronizer Ring	2	(A) LONG LIFE	●			
20	119.237	946 262 6137	Synchronizer Ring	2	(B)	●			
20	119.299	CEI 119299	Synchronizer Ring	2	(B) LONG LIFE	●			
21	157.556	389 262 4735	Synchronizer Hub	1		●			
22	154.220	945 262 0423	Sliding Sleeve	1	(A)	●			
22	154.409	M945 262 0423	Sliding Sleeve	1	(A) LONG LIFE	●			
22	154.388	945 262 6523	Sliding Sleeve	1	(B)	●			
22	154.460	M945 262 6523	Sliding Sleeve	1	(B) LONG LIFE	●			
23	145.591	945 262 3513	Gear 3rd Speed 34 T	1		●			
24	141.165	947 265 0349	Slide Fork	2	BRASS	●			
24	141.221	M947 265 0349	Slide Fork	2	IRON	●			

Notes

- (A) Up to gearbox 502735
(B) From gearbox 502736

Date

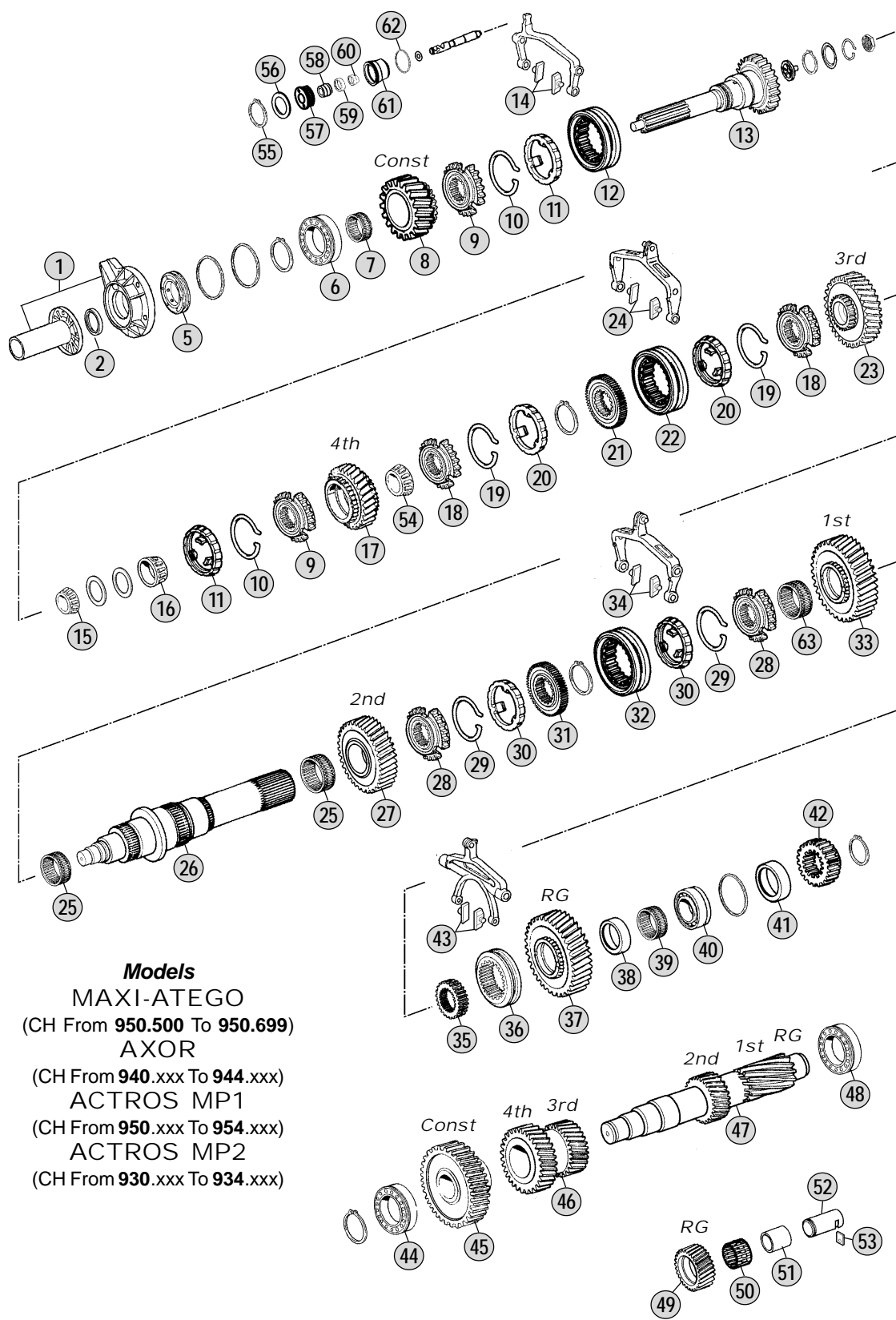
04 / 2011

Table

0280

Adattabile a : **MERCEDES**
 Suitable To :

Modelli Cambio/ Gearbox Models
G211 (16 Speeds)



Models
MAXI-ATEGO
 (CH From **950.500** To **950.699**)
AXOR
 (CH From **940.xxx** To **944.xxx**)
ACTROS MP1
 (CH From **950.xxx** To **954.xxx**)
ACTROS MP2
 (CH From **930.xxx** To **934.xxx**)

All original equipment manufacturers' numbers, symbols, models and description used in this catalogue are for reference only, and it is not implied that any part listed is the product of these manufactures.
 Tutti i nostri particolari non sono originali ma con essi intercambiabili. I riferimenti originali, le figure, i modelli sono esposti a semplice titolo indicativo. La nostra produzione riporta il nostro marchio.

Models

G211 - 16 / 17,03 - 1,00 **715.510-516**

Fig.	CEI no.	Rif. MB	Description	Q.ty	Note				
25	137.177	018 981 6610	Needle Cage K85x93x53ZWD	2		●			
26	103.149	945 262 3605	Main Shaft	1	Old Bearing	●			
26	103.188	945 262 4505	Main Shaft	1	New Bearing	●			
27	145.615	945 262 3112	Gear 2nd Speed 39 T	1		●			
28	109.187	945 262 0434	Synchronizer Cone	2	(A)	●			
28	109.415	945 262 5534	Synchronizer Cone	2	(B)	●			
29	111.205	387 262 0893	Elastic Ring	2		●			
30	119.161	389 262 0737	Synchronizer Ring	2	(A)	●			
30	119.225	389 262 3237	Synchronizer Ring	2	(A) LONG LIFE	●			
30	119.237	946 262 6137	Synchronizer Ring	2	(B)	●			
30	119.299	CEI 119299	Synchronizer Ring	2	(B) LONG LIFE	●			
31	157.557	389 262 2535	Synchronizer Hub	1		●			
32	154.220	945 262 0423	Sliding Sleeve	1	(A)	●			
32	154.409	M945 262 0423	Sliding Sleeve	1	(A) LONG LIFE	●			
32	154.388	945 262 6523	Sliding Sleeve	1	(B)	●			
32	154.460	M945 262 6523	Sliding Sleeve	1	(B) LONG LIFE	●			
33	145.616	389 262 2711	Gear 1st Speed 44 T	1		●			
34	141.165	947 265 0349	Slide Fork	2	BRASS	●			
34	141.165	947 265 0349	Slide Fork	2	IRON	●			
35	157.603	389 262 0135	Synchronizer Hub	1	With 154.224	●			
35	157.606	389 262 3935	Synchronizer Hub	1	With 154.223 / Old Type	●			
35	155.232	945 262 3835	Synchronizer Hub	1	With 154.223 / New Type	●			
36	154.224	389 262 1723	Sliding Sleeve	1		●			
36	154.223	389 262 1823	Sliding Sleeve	1		●			
37	147.161	945 262 3233	Reverse Gear 40 T	1	With 154.224	●			
37	147.163	945 262 3333	Reverse Gear 40 T	1	With 154.223 / Old Type	●			
37	147.245	945 262 4433	Reverse Gear 40 T	1	With 154.223 / New Type	●			
38	117.327	389 262 2550	Bush	1		●			
39	137.187	009 981 1510	Needle Cage K78x86x35ZW	1		●			
40	130.552	014 981 6105	Bearing 60x130x30	1		●			
41	117.325	389 262 3754	Spacer Th.18(74x60) mm	1		●			
42	157.605	945 262 0909	Sun Gear 25 T	1		●			
43	141.160	945 265 0149	Slide Fork	2		●			
44	130.554	014 981 1405	Bearing 50,8x100x35	1		●			
45	146.504	945 263 1110	Constant Gear 38 T	1		●			
46	143.102	945 263 1013	Double Gear 4th/3rd Sp.-34/27 T	1		●			
47	105.132	945 263 2902	Countershaft 21/16 T	1		●			
48	130.553	016 981 1205	Bearing 60x130x33,8	1		●			
49	147.162	389 263 1031	Reverse Gear 21 T	1		●			
50	137.181	012 981 8910	Needle Cage K42x50x51ZW	1		●			
51	117.324	389 263 0850	Bush Th.18(74x60) mm	1		●			
52	107.174	976 263 0030	Reverse Shaft	1		●			
53	188.236	945 263 0041	Key	1		●			
54	130.547	CEI 130547	Bearing 55x24	1		●			
55	111.358	006 994 4241	Lock Ring	1		●			

Notes

- (A) Up to gearbox 502735
(B) From gearbox 502736

Date

04 / 2011

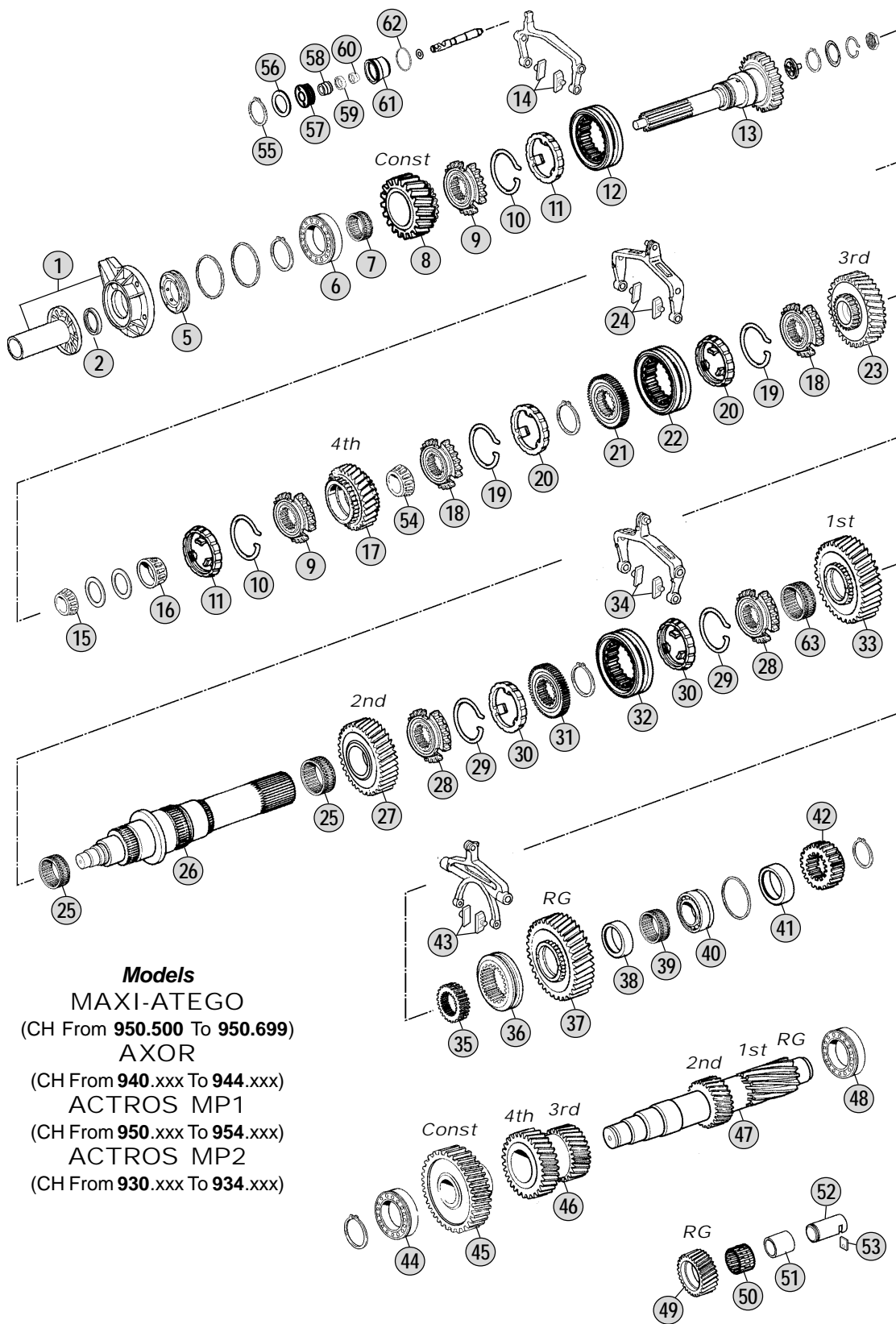
Table

0280

All original equipment manufacturers numbers, symbols, pictures, models and description used in this catalogue are for reference only, and it is not implied that any part listed is the product of these manufactures.
Tutti i nostri particolari non sono originali ma con essi intercambiabili. I riferimenti originali, le figure, i modelli sono esposti a semplice titolo indicativo. La nostra produzione riporta il nostro marchio.

Adattabile a : **MERCEDES**
 Suitable To :

Modelli Cambio/ Gearbox Models
G211 (16 Speeds)



Models
MAXI-ATEGO
 (CH From **950.500** To **950.699**)
AXOR
 (CH From **940.xxx** To **944.xxx**)
ACTROS MP1
 (CH From **950.xxx** To **954.xxx**)
ACTROS MP2
 (CH From **930.xxx** To **934.xxx**)

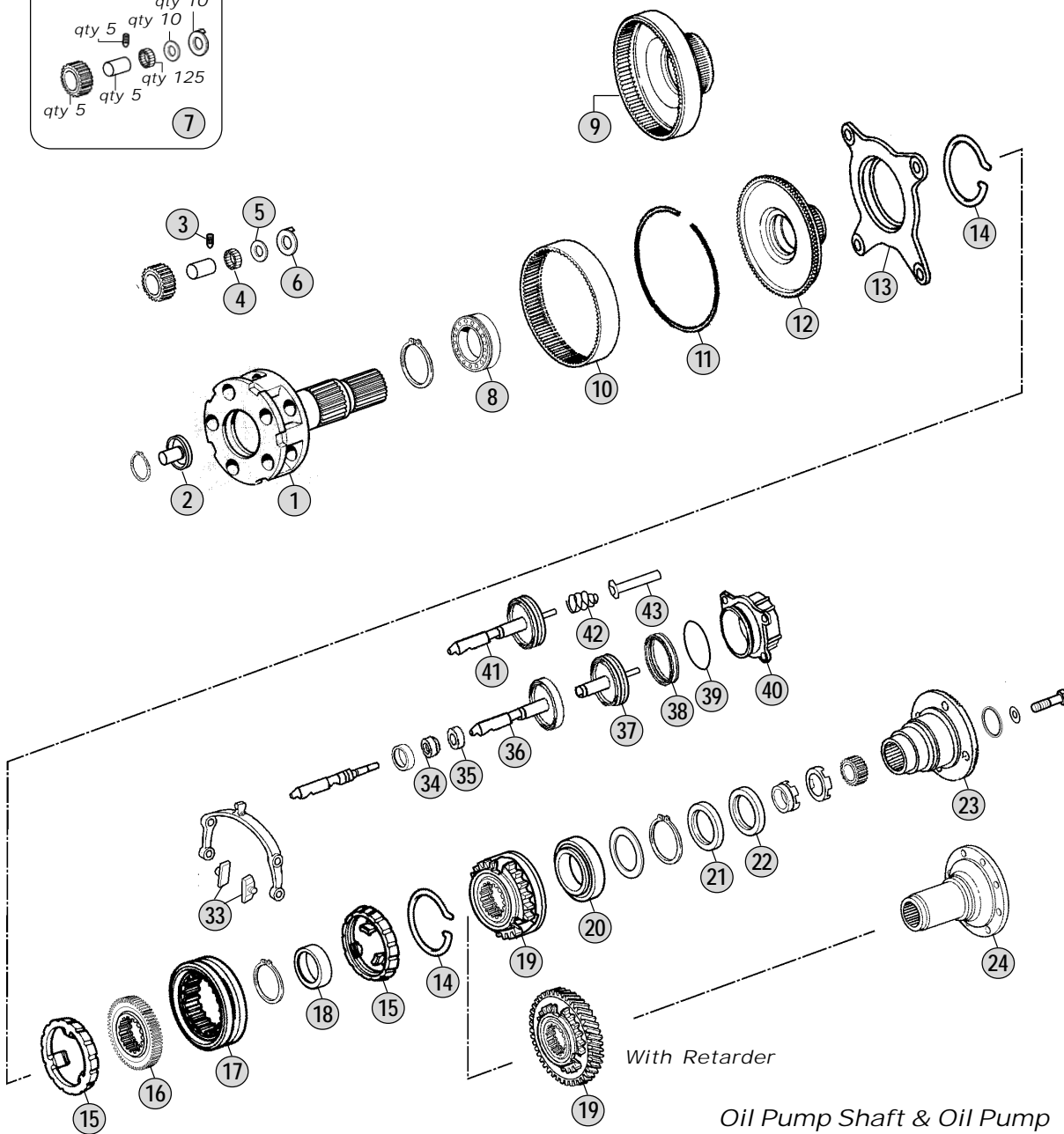
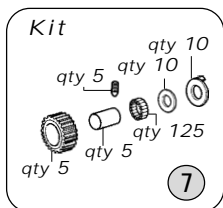
All original equipment manufacturers' numbers, symbols, models and description used in this catalogue are for reference only, and it is not implied that any part listed is the product of these manufactures.
 Tutti i nostri particolari non sono originali ma con essi intercambiabili. I riferimenti originali, le figure, i modelli sono esposti a semplice titolo indicativo. La nostra produzione riporta il nostro marchio.

Models

G211 - 16 / 17,03 - 1,00 **715.510-516**

Adattabile a : **MERCEDES**
 Suitable To :

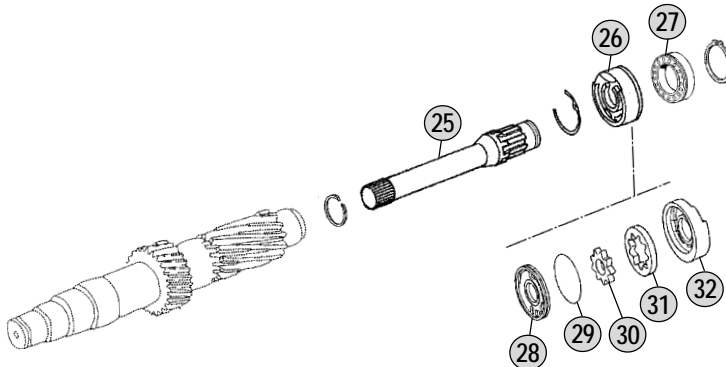
Modelli Cambio/ Gearbox Models
G211 (16 Speeds)



With Retarder

Oil Pump Shaft & Oil Pump

- Models**
 MAXI-ATEGO
 (CH From 950.500 To 950.699)
 AXOR
 (CH From 940.xxx To 944.xxx)
 ACTROS MP1
 (CH From 950.xxx To 954.xxx)
 ACTROS MP2
 (CH From 930.xxx To 934.xxx)



All original equipment manufacturers' numbers, symbols and description used in this catalogue are for reference only, and it is not implied that any part listed is the product of these manufactures. Tutti i nostri particolari non sono originali ma con essi intercambiabili. I riferimenti originali, le figure, i modelli sono esposti a semplice titolo indicativo. La nostra produzione riporta il nostro marchio.

Models

G211 - 16 / 17,03 - 1,00 **715.510-516**



Fig.	CEI no.	Rif. MB	Description	Q.ty	Note				
1	190.337	946 260 3661	Planetary Carrier (Empty)	1	Empty	●			
1	190.338	945 260 4661	Planetary Carrier (Complete)	1	Complete	●			
2	188.181	945 269 0834	Oil Tube	1		●			
3	187.609	000914 006109	Stud 6x14 mm	5		●			
4	171.057	000 981 4186	Needle 5x39,8	125		●			
5	169.801	389 262 0162	Spacer	10		●			
6	169.803	389 262 1462	Thrust Washer	10		●			
7	198.886	655 260 0197	Repair Kit	1		●			
8	130.540	008 981 1325	Bearing 90x130x14	1		●			
9	123.230	945 262 0108	Crown Gear 85 T D.269 mm	1	ALT-1 pc.Fig.10+Fig.11+Fig.12	●			
10	123.232	945 262 0208	Crown Gear 85 T D.269-H 70mm	1	ALT-1 pc.Fig.9 (Crown Assy)	●			
10	123.313	945 262 0808	Crown Gear 85 T D.271-H 70mm	1	ALT-1 pc.Fig.9 (Crown Assy)	●			
11	111.209	389 262 0773	Lock Ring	1		●			
12	150.144	389 262 1425	Carrier Hub 85 T	1	ALT_1 pc.Fig.9 (Crown Assy)	●			
13	198.879	389 260 2036	Synchronizer Flange	1	(A)	●			
13	298.054	947 260 3036	Synchronizer Flange	1	(B)	●			
14	111.206	389 262 0293	Elastic Ring	2		●			
15	119.160	389 262 0537	Synchronizer Ring	2	(A)	●			
15	119.250	389 262 3337	Synchronizer Ring	2	(A) LONG LIFE	●			
15	119.224	947 260 0945	Synchronizer Ring	2	(B)	●			
15	119.298	CEI 119298	Synchronizer Ring	2	(B) LONG LIFE	●			
16	155.204	389 262 2035	Synchronizer Hub	1		●			
17	154.217	945 262 6623	Sliding Sleeve	1	(A)	●			
17	154.433	M945 262 6623	Sliding Sleeve	1	(A) LONG LIFE	●			
17	154.378	945 262 6923	Sliding Sleeve	1	(B)	●			
17	154.458	M945 262 6923	Sliding Sleeve	1	(B) LONG LIFE	●			
18	117.322	389 262 0251	Bush	1		●			
19	109.337	389 262 9234	Synchronizer Cone	1	(A)	●			
19	109.408	945 262 3834	Synchronizer Cone	1	(B)	●			
19	109.342	389 264 0730	Synchronizer Cone W/RET.63 T	1	(A) With Retarder	●			
19	109.794	930 264 0120	Synchronizer Cone W/RET.	1	(A) With Retarder	●			
19	109.793	945 264 0520	Synchronizer Cone W/RET.63 T	1	(B) With etarder	●			
19	196.369	930 264 0320	Gear W/RET. 64 T	1	(B) With Retarder	●			
20	130.564	008 981 3025	Bearing 80x150x28	1		●			
20	130.563	007 981 8201	Bearing	1	For Model with TELMA Retarder	●			
21	139.551	013 997 7247	Oil Seal 95x115x13	1		●			
21	139.552	013 997 7347	Oil Seal 95x115x13	1	For Model with VOITH Retarder	●			
21	139.557	015 997 6447	Oil Seal	1	For Model with TELMA Retarder	●			
22	139.552	013 997 7347	Oil Seal 95x115x13	1		●			
22	139.558	017 997 1247	Oil Seal	1	For Model with TELMA Retarder	●			
23	197.083	945 262 0045	Output Flange D.180 mm	1		●			
23	197.173	930 262 0045	Output Flange D.180 mm	1		●			
23	197.082	389 262 0645	Output Flange D.200 mm	1		●			
23	197.082	389 262 0645	Output Flange D.200 mm	1		●			
23	197.174	930 262 0145	Output Flange D.200 mm	1		●			

Notes

- (A) Up to gearbox 366886
(B) From gearbox 366887

Date

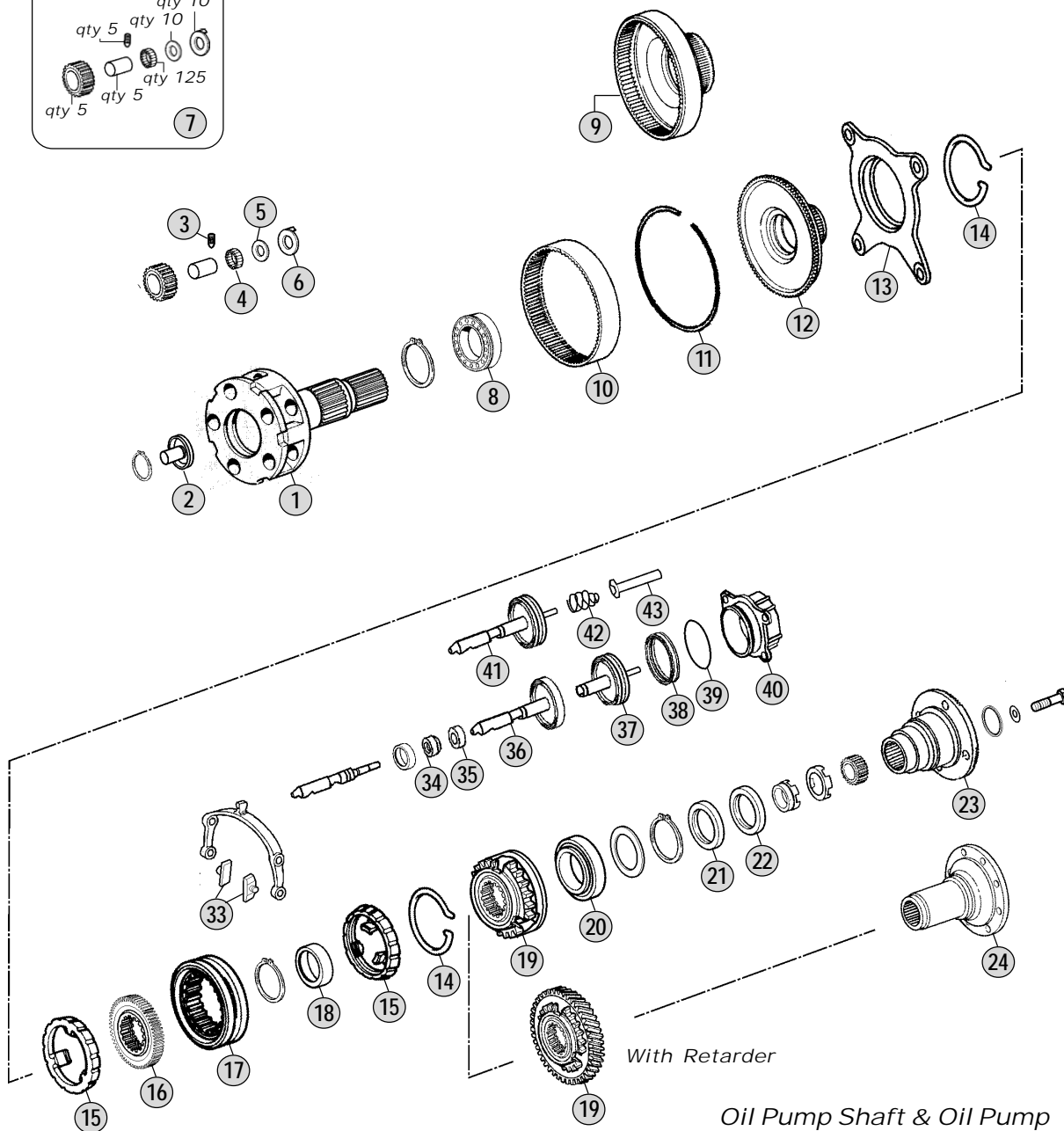
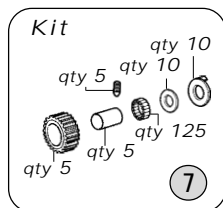
04 / 2011

Table

0285

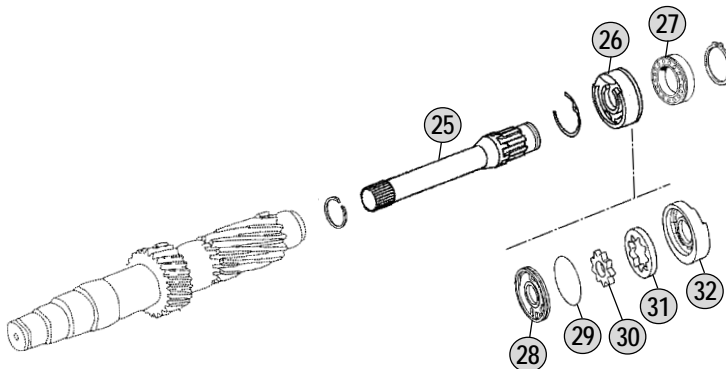
Adattabile a : **MERCEDES**
 Suitable To :

Modelli Cambio/ Gearbox Models
G211 (16 Speeds)



Oil Pump Shaft & Oil Pump

Models
 MAXI-ATEGO
 (CH From **950.500** To **950.699**)
 AXOR
 (CH From **940.xxx** To **944.xxx**)
 ACTROS MP1
 (CH From **950.xxx** To **954.xxx**)
 ACTROS MP2
 (CH From **930.xxx** To **934.xxx**)



Models

G211 - 16 / 17,03 - 1,00 **715.510-516**

All original equipment manufacturers' numbers, symbols and description used in this catalogue are for reference only, and it is not implied that any part listed is the product of these manufacturers.
 Tutti i nostri particolari non sono originali ma con essi intercambiabili. I riferimenti originali, le figure, i modelli sono esposti a semplice titolo indicativo. La nostra produzione riporta il nostro marchio.

Fig.	CEI no.	Rif. MB	Description	Q.ty	Note	G211-16/17,3-1,00				
23	197.081	389 262 0545	Output Flange D.180 mm	1	For Model with VOITH Retarder	●				
23	197.080	389 262 0945	Output Flange D.200 mm	1	For Model with VOITH Retarder	●				
24	197.085	387 264 1945	Output Flange D.198 mm	1	For Model with TELMA Retarder	●				
24	197.207	387 264 2045	Output Flange D.198 mm	1	For Model with TELMA Retarder	●				
24	197.084	945 262 0445	Output Flange D.200 mm	1	For Model with TELMA Retarder	●				
24	197.209	930 262 0245	Output Flange D.180 mm	1	For Model with TELMA Retarder	●				
25	101.123	389 269 1210	Oil Pump Shaft	1		●				
25	101.168	947 269 1010	Oil Pump Shaft	1		●				
25	101.169	947 269 1110	Oil Pump Shaft	1		●				
26	280.587	389 260 0690	Oil Pump	1	Old Type-Assembly	●				
27	130.538	004 981 9225	Bearing 45x75x16	1	With 101.123	●				
27	130.859	008 981 5425	Bearing	1	With 101.168/101.169	●				
28	189.607	389 269 2601	Oil Pump Cover	1	New Type-Disassembled	●				
29	111.208	029 997 5748	O Ring	1	New Type-Disassembled	●				
30	189.606	389 269 1406	Oil Pump Gear	1	New Type-Disassembled	●				
31	189.605	389 269 0706	Oil Pump Hub	1	New Type-Disassembled	●				
32	189.604	947 269 1001	Oil Pump Housing	1	New Type-Disassembled	●				
33	141.162	389 265 2449	Slide Fork	2	(B) BRASS	●				
33	141.219	M389 265 2449	Slide Fork	2	(A) IRON	●				
33	141.165	947 265 0349	Slide Fork	2	(B) BRASS	●				
33	141.221	M947 265 0349	Slide Fork	2	(B) IRON	●				
34	139.834	000 267 0197	Oil Seal 22x32x8	1		●				
35	117.412	387 267 0650	Bush Th.8(34x22) mm	1		●				
36	132.062	930 260 2789	Cylinder	1		●				
36	132.063	930 260 2889	Cylinder	1		●				
37	132.066	389 267 1018	Cylinder	1		●				
38	139.817	024 997 8347	Oil Seal 77x90x17	1		●				
39	139.597	020 997 8948	O Ring 3,0x89,5	1		●				
39	139.859	017 997 6545	Oil Seal	1		●				
40	132.069	945 267 1319	Cylinder	1		●				
40	132.077	001 260 4963	Cylinder	1		●				
40	132.078	001 260 8463	Cylinder	1		●				
41	132.072	945 267 2117	Cylinder	1		●				
42	156.204	008 993 0801	Spring	1		●				
42	156.206	000 993 6705	Spring	1		●				
43	188.242	000 543 5785	Oil Tube	1		●				
43	189.689	000 543 5485	Oil Tube	1		●				

All original equipment manufacturers' numbers, symbols, pictures, models and description used in this catalogue are for reference only, and it is not implied that any part listed is the product of these manufacturers. Tutti i nostri particolari non sono originali ma con essi intercambiabili. I riferimenti originali, le figure, i modelli sono esposti a semplice titolo indicativo. La nostra produzione riporta il nostro marchio.

Notes

- (A) Up to gearbox 366886
(B) From gearbox 366887

Date

04/ 2011

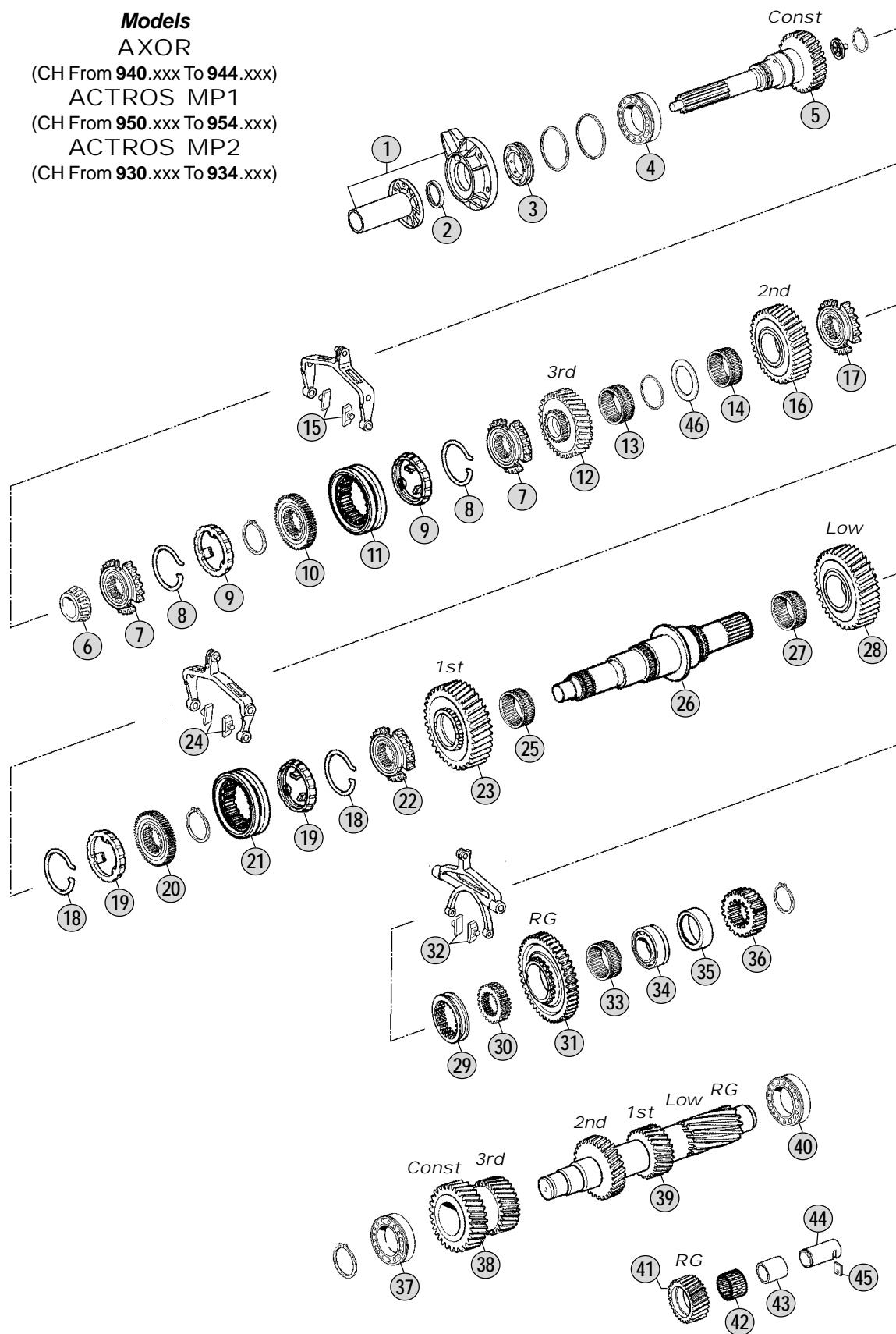
Table

0285

Adattabile a : **MERCEDES**
Suitable To :

Models

- AXOR
(CH From 940.xxx To 944.xxx)
- ACTROS MP1
(CH From 950.xxx To 954.xxx)
- ACTROS MP2
(CH From 930.xxx To 934.xxx)



All original equipment manufacturers' numbers, symbols and description used in this catalogue are for reference only, and it is not implied that any part listed is the product of these manufacturers. Tutti i nostri particolari non sono originali ma con essi intercambiabili. I riferimenti originali, le figure, i modelli sono esposti a semplice titolo indicativo. La nostra produzione riporta il nostro marchio.

Models

G221 - 9 / 10,19-1,0 715.560-561-564

Fig.	CEI no.	Rif. MB	Description	Q.ty	Note	G221-9/10,19-1,0				
1	135.134	945 261 1118	Front Cover	1		●				
1	135.222	945 261 2518	Front Cover	1		●				
2	139.549	024 997 3047	Seal Ring 52x68x8 mm	1		●				
3	139.555	389 261 0865	Diaphragm	1		●				
4	130.550	011 981 1305	Bearing 75x140x34,3	1		●				
5	102.286	945 262 1602	Input Shaft 27 T	1	715.560-561	●				
5	102.288	945 262 2602	Input Shaft 27 T	1	715.560-561	●				
5	102.289	945 262 4202	Input Shaft	1	715.560-561	●				
5	102.287	945 262 4902	Input Shaft	1	715.564	●				
6	130.558	015 981 1605	Bearing 39,65x82,3x41	1		●				
7	109.335	945 262 0334	Synchronizer Cone	2	(A)	●				
7	109.742	945 262 3634	Synchronizer Cone	2	(B)	●				
8	111.204	387 262 1093	Elastic Ring	2		●				
9	119.112	389 262 0637	Synchronizer Ring	2	(A)	●				
9	119.226	389 262 3137	Synchronizer Ring	2	(A) LONG LIFE	●				
9	119.271	947 260 0545	Synchronizer Ring	2	(B)	●				
9	119.300	CEI 119300	Synchronizer Ring	2	(B) LONG LIFE	●				
10	157.607	945 262 1935	Synchronizer Hub	1		●				
11	154.221	945 262 0323	Sliding Sleeve	1	(A)	●				
11	154.408	M945 262 0323	Sliding Sleeve	1	(A) LONG LIFE	●				
11	154.399	945 262 6823	Sliding Sleeve	1	(B)	●				
11	154.457	M945 262 6823	Sliding Sleeve	1	(B) LONG LIFE	●				
12	145.620	945 262 1617	Gear 3rd Speed 32 T	1		●				
13	137.190	009 981 4510	Needle Cage 68x76x55	1		●				
14	137.191	019 981 9210	Needle Cage	1		●				
15	141.165	947 265 0349	Slide Fork	2	BRASS	●				
15	141.221	M947 265 0349	Slide Fork	2	IRON	●				
16	145.604	945 262 5912	Gear 2nd Speed 36 T	1		●				
17	109.189	945 262 0534	Synchronizer Cone	1	(A)	●				
17	109.414	945 262 5434	Synchronizer Cone	1	(B)	●				
18	111.205	387 262 0893	Elastic Ring	2		●				
19	119.161	389 262 0737	Synchronizer Ring	2	(A)	●				
19	119.225	389 262 3237	Synchronizer Ring	2	(A) LONG LIFE	●				
19	119.237	946 262 6137	Synchronizer Ring	2	(B)	●				
19	119.299	CEI 119299	Synchronizer Ring	2	(B) LONG LIFE	●				
20	157.557	389 262 2535	Synchronizer Hub	1		●				
21	154.220	945 262 0423	Sliding Sleeve	1	(A)	●				
21	154.409	M945 262 0423	Sliding Sleeve	1	(A) LONG LIFE	●				
21	154.388	945 262 6523	Sliding Sleeve	1	(B)	●				
21	154.460	M945 262 6523	Sliding Sleeve	1	(B) LONG LIFE	●				
22	109.187	945 262 0434	Synchronizer Cone	1	(A)	●				
22	109.415	945 262 5534	Synchronizer Cone	1	(B)	●				
23	145.600	945 262 2711	Gear 1st Speed 41 T	1		●				
24	141.165	947 265 0349	Slide Fork	2	BRASS	●				
24	141.221	M947 265 0349	Slide Fork	2	IRON	●				

Notes

- (A) Up to gearbox 018250
(B) From gearbox 018251

Date

04 / 2011

Table

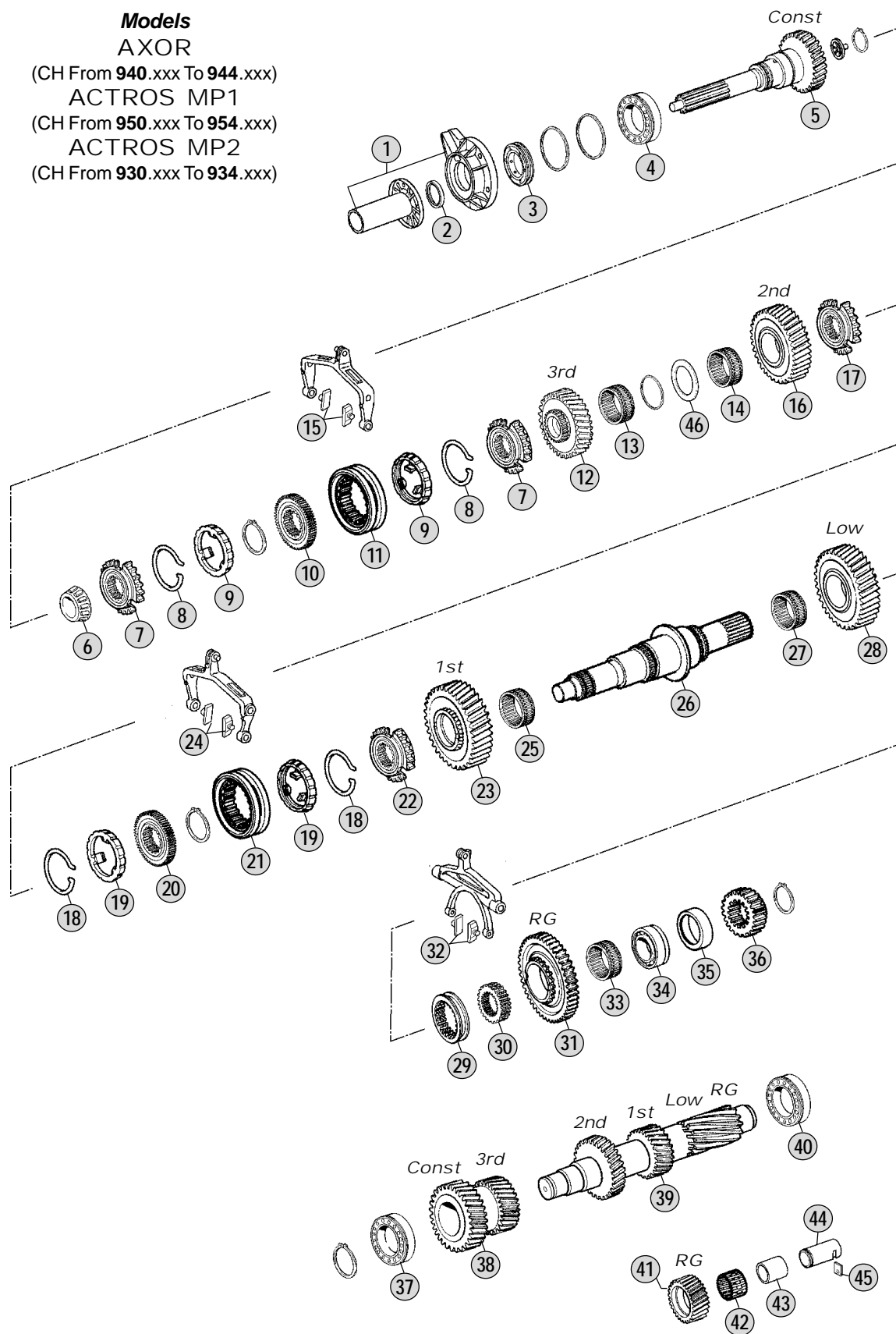
0290

Adattabile a : **MERCEDES**
 Suitable To :

Modelli Cambio/ Gearbox Models
G221 (9 Speeds)

Models

- AXOR
 (CH From **940.xxx** To **944.xxx**)
- ACTROS MP1
 (CH From **950.xxx** To **954.xxx**)
- ACTROS MP2
 (CH From **930.xxx** To **934.xxx**)



All original equipment manufacturers' numbers, symbols and description used in this catalogue are for reference only, and it is not implied that any part listed is the product of these manufacturers. Tutti i nostri particolari non sono originali ma con essi intercambiabili. I riferimenti originali, le figure, i modelli sono esposti a semplice titolo indicativo. La nostra produzione riporta il nostro marchio.

Models

G221 - 9 / 10,19-1,0 **715.560-561-564**

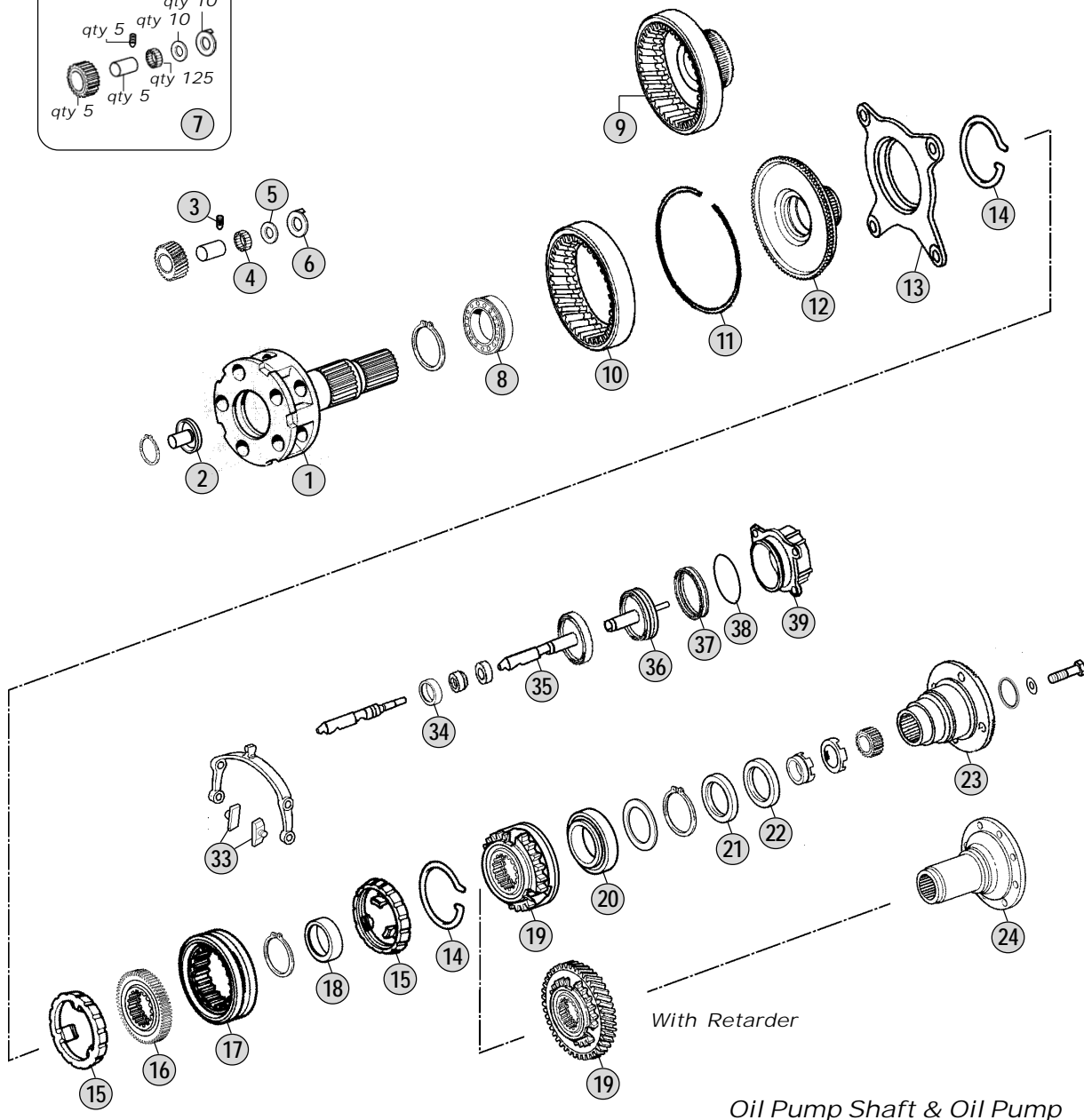
Adattabile a : **MERCEDES**
 Suitable To :

Modelli Cambio/ Gearbox Models
G221 (9 Speeds)

Kit

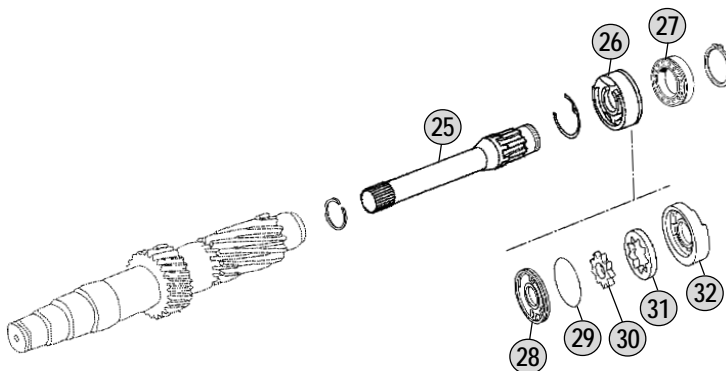
qty 5 qty 10
 qty 5 qty 10
 qty 5 qty 125

7



Models
AXOR

- (CH From 940.xxx To 944.xxx)
- ACTROS MP1
- (CH From 950.xxx To 954.xxx)
- ACTROS MP2
- (CH From 930.xxx To 934.xxx)



All original equipment manufacturers' numbers, symbols and description used in this catalogue are for reference only, and it is not implied that any part listed is the product of these manufactures.
 Tutti i nostri particolari non sono originali ma con essi intercambiabili. I riferimenti originali, le figure, i modelli sono esposti a semplice titolo indicativo. La nostra produzione riporta il nostro marchio.

Models

G221 - 9 / 10,19-1,00 715.560-561-564

Fig.	CEI no.	Rif. MB	Description	Q.ty	Note	G221-9/10,19-1,0				
1	190.339	946 260 4061	Planetary Carrier	1		●				
2	188.181	945 269 0834	Oil Tube	1		●				
3	187.609	000914 006109	Stud 6x14 mm	5		●				
4	171.057	000 981 4186	Needle 5x39,8	125		●				
5	169.801	389 262 0162	Spacer	10		●				
6	169.803	389 262 1462	Thrust Washer	10		●				
7	198.887	945 260 0197	Repair Kit	1		●				
8	130.540	008 981 1325	Bearing 90x130x14	1		●				
9	123.230	945 262 0108	Crown Gear 85 T D.269 mm	1	ALT-1 pc.Fig.10+Fig.11+Fig.12	●				
10	123.232	945 262 0208	Crown Gear 85 T D.269-H 70mm	1	ALT-1 pc.Fig.9 (Crown Assy)	●				
10	123.313	945 262 0808	Crown Gear 85 T D.271-H 70mm	1	ALT-1 pc.Fig.9 (Crown Assy)	●				
11	111.209	389 262 0773	Lock Ring	1		●				
12	150.144	389 262 1425	Carrier Hub 85 T	1	ALT-1 pc.Fig.9 (Crown Assy)	●				
13	198.879	389 260 2036	Synchronizer Flange	1	(A)	●				
13	298.054	947 260 3036	Synchronizer Flange	1	(B)	●				
14	111.206	389 262 0293	Elastic Ring	2		●				
15	119.160	389 262 0537	Synchronizer Ring	2	(A)	●				
15	119.250	389 262 3337	Synchronizer Ring	2	(A) LONG LIFE	●				
15	119.224	947 260 0945	Synchronizer Ring	2	(B)	●				
15	119.298	CEI 119298	Synchronizer Ring	2	(B) LONG LIFE	●				
16	155.204	389 262 2035	Synchronizer Hub	1		●				
17	154.217	945 262 6623	Sliding Sleeve	1	(A)	●				
17	154.433	M945 262 6623	Sliding Sleeve	1	(A) LONG LIFE	●				
17	154.378	945 262 6923	Sliding Sleeve	1	(B)	●				
17	154.458	M945 262 6923	Sliding Sleeve	1	(B) LONG LIFE	●				
18	117.322	389 262 0251	Bush	1		●				
19	109.337	389 262 9234	Synchronizer Cone	1	(A)	●				
19	109.408	945 262 3834	Synchronizer Cone	1	(B)	●				
19	109.342	389 264 0730	Synchronizer Cone W/RET.63 T	1	(A) With Retarder	●				
19	109.794	930 264 0120	Synchronizer Cone W/RET.	1	(A) With Retarder	●				
19	109.793	945 264 0520	Synchronizer Cone W/RET.63 T	1	(B) With Retarder	●				
19	196.369	930 264 0320	Gear W/RET. 64 T	1	(B) With Retarder	●				
20	130.564	008 981 3025	Bearing 80x150x28	1		●				
20	130.563	007 981 8201	Bearing	1	For model with TELMA Retarder	●				
21	139.551	013 997 7247	Oil Seal 95x115x13	1		●				
21	139.552	013 997 7347	Oil Seal 95x115x13	1	For model with VOITH Retarder	●				
21	139.557	015 997 6447	Oil Seal	1	For model with TELMA retarder	●				
22	139.552	013 997 7347	Oil Seal 95x115x13	1		●				
22	139.558	017 997 1247	Oil Seal	1	For model with TELMA Retarder	●				
23	197.083	945 262 0045	Output Flange D.180 mm	1		●				
23	197.082	389 262 0645	Output Flange D.200 mm	1		●				
23	197.081	389 262 0545	Output Flange D.180 mm	1	For model with VOITH Retarder	●				
23	197.080	389 262 0945	Output Flange D.200 mm	1	For model with VOITH Retarder	●				
24	197.085	387 264 1945	Output Flange D.198 mm	1	For model with TELMA Retarder	●				
24	197.207	387 264 2045	Output Flange D.198 mm	1	For model with TELMA Retarder	●				

Notes

- (A) Up to gearbox 014747
(B) From gearbox 014748

Date

04 / 2011

Table

0295

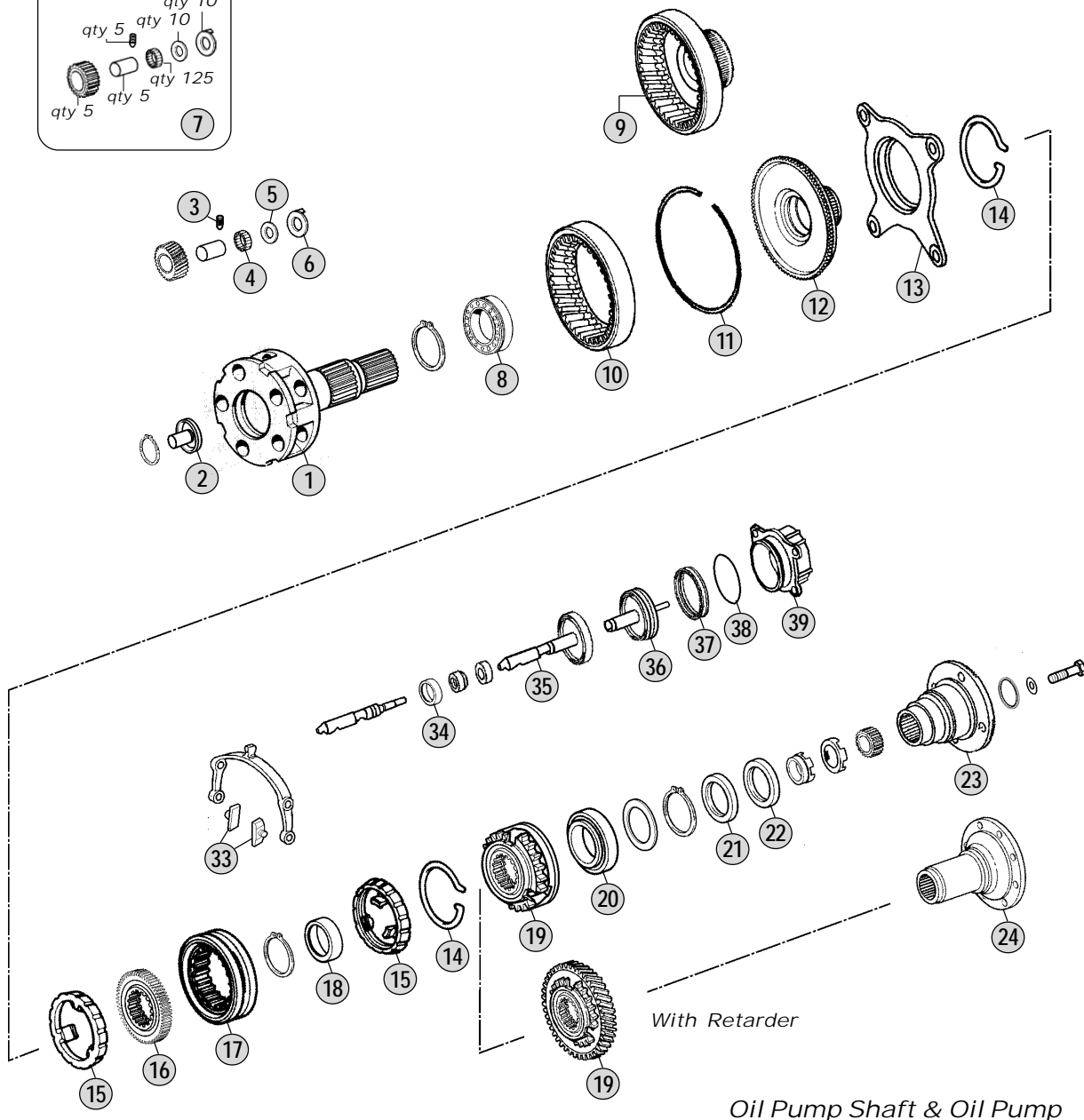
Adattabile a : **MERCEDES**
 Suitable To :

Modelli Cambio/ Gearbox Models
G221 (9 Speeds)

Kit

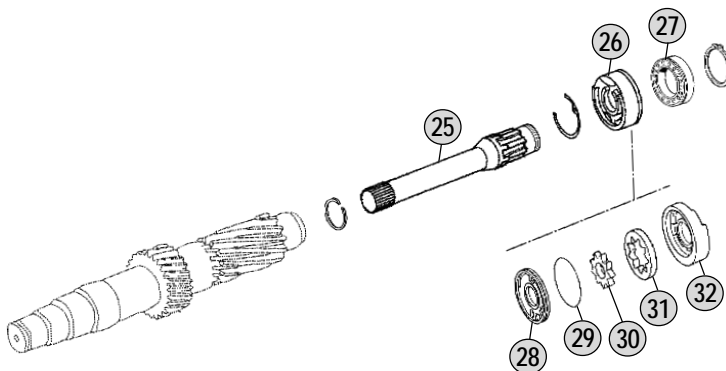
qty 5 qty 10 qty 10
 qty 5 qty 5 qty 125

7



Models
AXOR

- (CH From **940.xxx** To **944.xxx**)
- ACTROS MP1**
- (CH From **950.xxx** To **954.xxx**)
- ACTROS MP2**
- (CH From **930.xxx** To **934.xxx**)



All original equipment manufacturers' numbers, symbols and description used in this catalogue are for reference only, and it is not implied that any part listed is the product of these manufactures.
 Tutti i nostri particolari non sono originali ma con essi intercambiabili. I riferimenti originali, le figure, i modelli sono esposti a semplice titolo indicativo. La nostra produzione riporta il nostro marchio.

Models

G221 - 9 / 10,19-1,00 **715.560-561-564**

Fig.	CEI no.	Rif. MB	Description	Q.ty	Note	G22-9/10,19-1,0				
24	197.084	945 262 0445	Output Flange D.200 mm	1	For model with TELMA Retarder	●				
24	197.208	945 262 0545	Output Flange D.200 mm	1	For model with TELMA Retarder	●				
25	101.123	389 269 1210	Oil Pump Shaft	1		●				
25	101.168	947 269 1010	Oil Pump Shaft	1		●				
25	101.169	947 269 1110	Oil Pump Shaft	1		●				
26	280.587	389 260 0690	Oil Pump	1	Old Type-Assembly	●				
27	130.538	004 981 9225	Bearing 45x75x16	1	With 101.123	●				
27	130.859	008 981 5425	Bearing	1	With 101.168/101.169	●				
28	189.607	389 269 2601	Oil Pump Cover	1	New Type-Disassembled	●				
29	111.208	029 997 5748	O Ring	1	New Type-Disassembled	●				
30	189.606	389 269 1406	Oil Pump Gear	1	New Type-Disassembled	●				
31	189.605	389 269 0706	Oil Pump Hub	1	New Type-Disassembled	●				
32	189.604	947 269 1001	Oil Pump Housing	1	New Type-Disassembled	●				
33	141.162	389 265 2449	Slide Fork	2	(A) BRASS	●				
33	141.219	M389 265 2449	Slide Fork	2	(A) IRON	●				
33	141.165	947 265 0349	Slide Fork	2	(B) BRASS	●				
33	141.221	M947 265 0349	Slide Fork	2	(B) IRON	●				
34	139.834	000 267 0197	Oil Seal 22x32x8	1		●				
35	132.062	930 260 2789	Cylinder	1		●				
35	132.063	930 260 2889	Cylinder	1		●				
36	132.066	389 267 1018	Cylinder	1		●				
37	139.817	024 997 8347	Oil Seal 77x90x17	1		●				
38	139.597	020 997 8948	O Ring 3,0x89,5	1		●				
39	132.069	945 267 1319	Cylinder	1		●				
39	132.077	001 260 4963	Cylinder	1		●				

All original equipment manufacturers' numbers, symbols, pictures, models and description used in this catalogue are for reference only, and it is not implied that any part listed is the product of these manufacturers.
Tutti i nostri particolari non sono originali ma con essi intercambiabili. I riferimenti originali, le figure, i modelli sono esposti a semplice titolo indicativo. La nostra produzione riporta il nostro marchio.

Notes

- (A) Up to gearbox 014747
(B) From gearbox 014748

Date

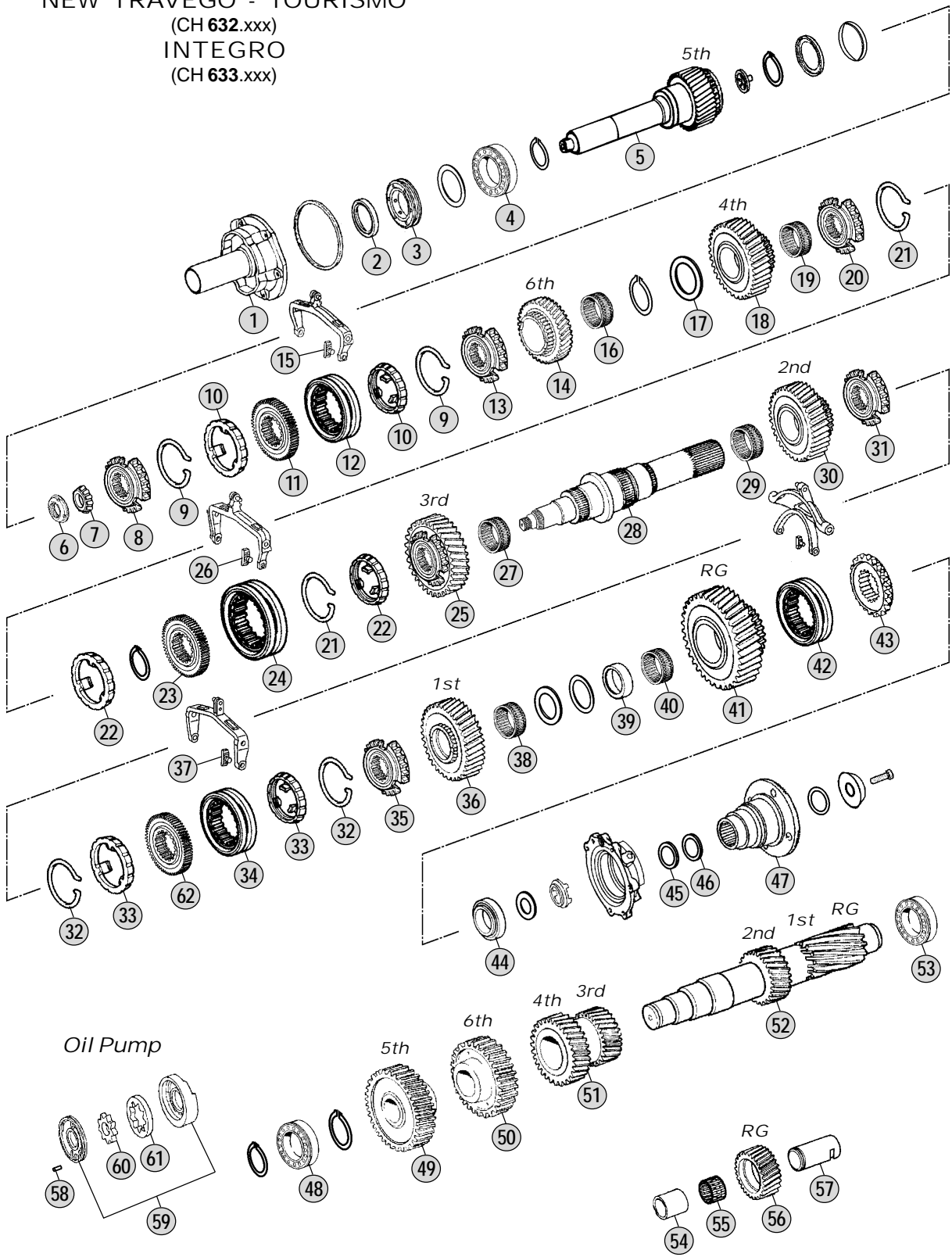
04 / 2011

Table

0295

Adattabile a : **MERCEDES**
Suitable To :

Models
NEW TRAVEGO - TOURISMO
(CH 632.xxx)
INTEGRO
(CH 633.xxx)



All original equipment manufacturers' numbers, symbols, pictures, models and description used in this catalogue are for reference only, and it is not implied that any part listed is the product of these manufactures. Tutti i nostri particolari non sono originali ma con essi intercambiabili. I riferimenti originali, le figure, i modelli sono esposti a semplice titolo indicativo. La nostra produzione riporta il nostro marchio.

Models

GO230 - 6 / 6,5-0,8 715.160

Fig.	CEI no.	Rif. MB	Description	Q.ty	Note	GO230-6-5-0,8				
1	135.204	389 261 6218	Front Cover	1		●				
1	135.205	389 261 6618	Front Cover	1		●				
1	135.202	656 261 0018	Front Cover	1		●				
2	139.556	019 997 0547	Oil Seal 56x72x8	1		●				
3	139.555	389 261 0865	Diaphragm	1		●				
4	130.550	011 981 1305	Bearing 75x140x34,3	1		●				
5	102.442	656 262 3282	Input Shaft 30 T	1		●				
5	102.503	656 262 4502	Input Shaft 30 T	1		●				
5	102.504	656 262 4702	Input Shaft 30 T	1		●				
5	102.505	656 262 6302	Input Shaft 30 T	1		●				
6	187.676	945 990 0250	Nut M30x1,5	1		●				
7	130.558	015 981 1605	Bearing 39,65x82,3x41	1		●				
8	109.335	945 262 0334	Synchronizer Cone	1	(A)	●				
8	109.742	945 262 3634	Synchronizer Cone	1	(B)	●				
9	111.204	387 262 1093	Elastic Ring	2		●				
10	119.112	389 262 0637	Synchronizer Ring	2	(A)	●				
10	119.226	389 262 3137	Synchronizer Ring	2	(A) LONG LIFE	●				
10	119.271	947 260 0545	Synchronizer Ring	2	(B)	●				
10	119.300	CEI 119300	Synchronizer Ring	1	(B) LONG LIFE	●				
11	155.245	389 262 5335	Synchronizer Hub	1		●				
12	154.221	945 262 0323	Sliding Sleeve	1	(A)	●				
12	154.408	M945 262 0323	Sliding Sleeve	1	(A) LONG LIFE	●				
12	154.399	945 262 6823	Sliding Sleeve	1	(B)	●				
12	154.457	M945 262 6823	Sliding Sleeve	1	(B) LONG LIFE	●				
13	109.743	389 262 9834	Synchronizer Cone	1	(A)	●				
13	109.744	945 262 7134	Synchronizer Cone	1	(B)	●				
14	145.968	389 262 0816	Gear 6th Speed 26 T	1		●				
15	141.165	947 265 0349	Slide Fork	2	BRASS	●				
15	141.221	M947 265 0349	Slide Fork	2	IRON	●				
16	137.356	019 981 6010	Needle Cage 60x68x54	1		●				
17	269.375	389 262 1862	Washer	1		●				
18	145.569	389 262 0914	Gear 4th Speed 35 T	1		●				
19	137.187	009 981 1510	Needle Cage K78x86x35ZW	1		●				
20	109.349	945 262 5034	Synchronizer Cone	1	(A)	●				
20	109.745	945 262 6134	Synchronizer Cone	1	(B)	●				
21	111.204	387 262 1093	Elastic Ring	2		●				
22	119.112	389 262 0637	Synchronizer Ring	2	(A)	●				
21	119.226	389 262 3137	Synchronizer Ring	2	(A) LONG LIFE	●				
22	119.271	947 260 0545	Synchronizer Ring	2	(B)	●				
22	119.300	CEI 119300	Synchronizer Ring	2	(B) LONG LIFE	●				
23	157.624	389 262 4435	Synchronizer Hub	1		●				
24	154.303	389 262 2023	Sliding Sleeve	1	(A)	●				
24	154.443	M389 262 2023	Sliding Sleeve	1	(A) LONG LIFE	●				
24	154.417	945 262 5723	Sliding Sleeve	1	(B)	●				
24	154.462	M945 262 5723	Sliding Sleeve	1	(B) LONG LIFE	●				

Notes

(A - B) To be coupled together

Date

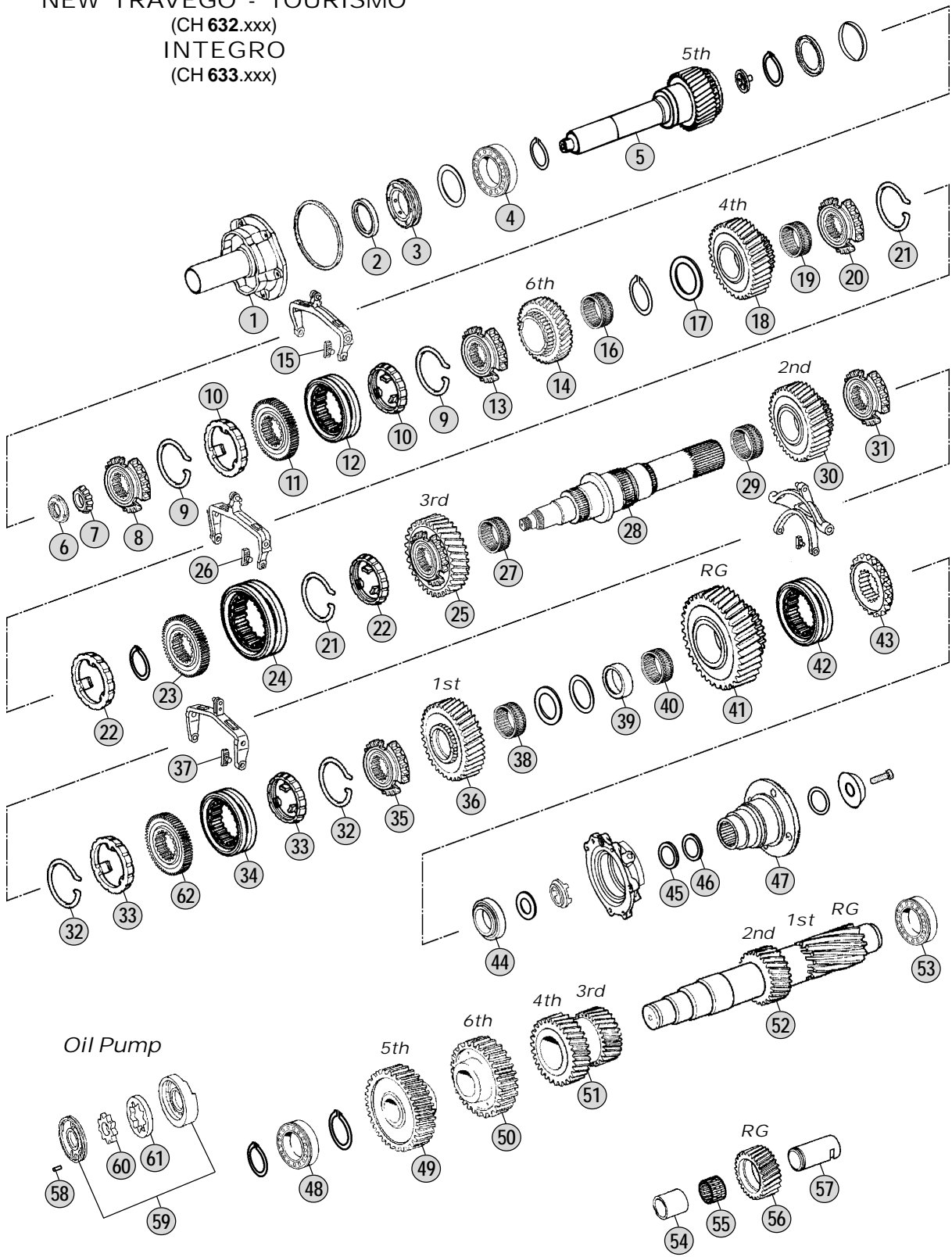
04 / 2011

Table

0300

Adattabile a : **MERCEDES**
Suitable To :

Models
NEW TRAVEGO - TOURISMO
(CH 632.xxx)
INTEGRO
(CH 633.xxx)



All original equipment manufacturers' numbers, symbols, pictures, models and description used in this catalogue are for reference only, and it is not implied that any part listed is the product of these manufactures. Tutti i nostri particolari non sono originali ma con essi intercambiabili. I riferimenti originali, le figure, i modelli sono esposti a semplice titolo indicativo. La nostra produzione riporta il nostro marchio.

Models

GO230 - 6 / 6,5-0,8 715.160

Fig.	CEI no.	Rif. MB	Description	Q.ty	Note	GO230-6-5-0,8				
25	145.972	389 262 4313	Gear 3rd Speed 40 T	1	(A)	●				
25	145.973	945 262 6417	Gear 3rd Speed 40 T	1	(B)	●				
26	141.165	947 265 0349	Slide Fork	1	BRASS	●				
26	141.221	M947 265 0349	Slide Fork	2	IRON	●				
27	137.204	007 981 5510	Needle Cage 92x100x49,5	1		●				
28	103.215	389 262 4605	Main Shaft	1		●				
29	137.204	007 981 5510	Needle Cage 92x100x49,5	1		●				
30	145.815	976 262 1612	Gear 2nd Speed 45 T	1		●				
31	109.351	945 262 4934	Synchronizer Cone	1	(A)	●				
31	109.746	945 262 6034	Synchronizer Cone	1	(B)	●				
32	111.205	387 262 0893	Elastic Ring	2		●				
33	119.161	389 262 0737	Synchronizer Ring	2	(A)	●				
33	119.225	389 262 3237	Synchronizer Ring	2	(A) LONG LIFE	●				
33	119.237	946 262 6137	Synchronizer Ring	2	(B)	●				
33	119.299	CEI 119299	Synchronizer Ring	2	(B) LONG LIFE	●				
34	154.304	389 262 2123	Sliding Sleeve	1	(A)	●				
34	154.444	M389 262 2123	Sliding Sleeve	1	(A) LONG LIFE	●				
34	154.418	945 262 5623	Sliding Sleeve	1	(B)	●				
34	154.459	M945 262 5623	Sliding Sleeve	1	(B) LONG LIFE	●				
35	109.350	945 262 4834	Synchronizer Cone	1	(A)	●				
35	109.747	945 262 5934	Synchronizer Cone	1	(B)	●				
36	244.038	389 262 3311	Gear 1st Speed 50 T	1		●				
37	141.165	947 265 0349	Slide Fork	2	BRASS	●				
37	141.221	M947 265 0349	Slide Fork	2	IRON	●				
38	137.198	021 981 9410	Needle Cage 85x93x45W	1		●				
39	117.440	389 262 2250	Bush	1		●				
40	137.198	021 981 9410	Needle Cage 85x93x45W	1		●				
41	244.039	389 262 2233	Reverse Gear 47 T	1		●				
42	154.224	389 262 1723	Sliding Sleeve	1	With 157.630	●				
42	154.223	389 262 1823	Sliding Sleeve	1	With 157.626	●				
43	157.630	389 262 4135	Synchronizer Hub	1	With 154.224	●				
43	157.626	389 262 4235	Synchronizer Hub	1	With 154.223	●				
44	130.581	012 981 3705	Bearing 65x140x13,5	1		●				
45	139.564	020 997 9947	Oil Seal 80x110x10	1		●				
46	139.563	023 997 8547	Oil Seal 80x100x12	1		●				
47	197.191	629 262 0045	Output Flange D.150 mm	1		●				
47	197.187	629 262 0245	Output Flange D.150 mm	1		●				
47	197.186	387 264 2445	Output Flange D.162 mm	1		●				
47	197.188	387 264 3445	Output Flange D.180 mm	1		●				
47	197.192	629 262 0145	Output Flange D.180 mm	1		●				
47	197.189	656 262 0045	Output Flange D.249 mm	1		●				
48	130.554	014 981 1405	Bearing 50,8x100x35	1		●				
49	145.974	389 263 1910	Constant Gear 47 T	1		●				
50	145.975	389 263 0116	Gear 6th Speed 51 T	1		●				
51	143.138	656 263 0013	Double Gear 3rd/4th Sp.-28/38 T	1		●				

Notes

(A - B) To be coupled together

Date

04 / 2011

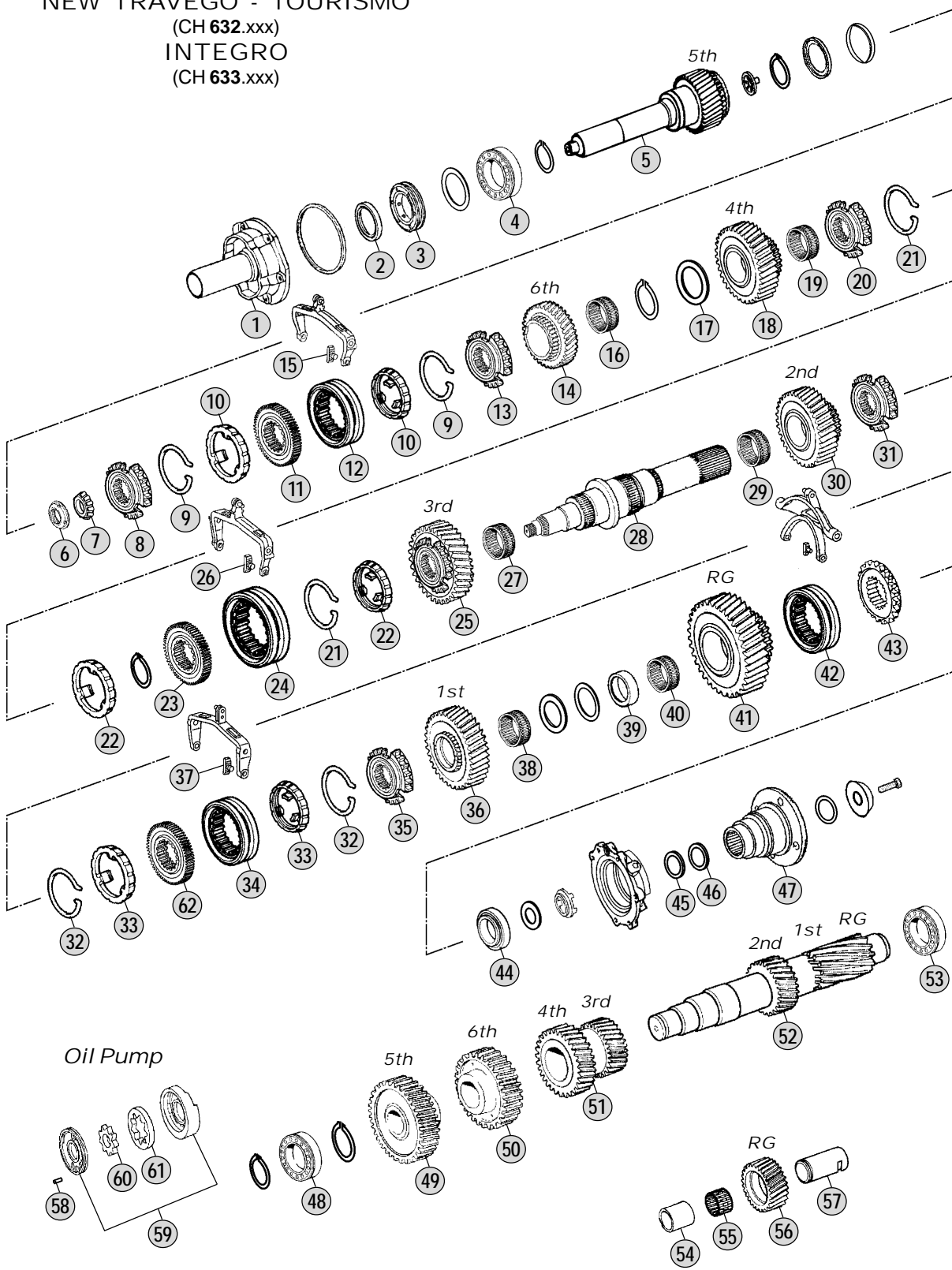
Table

0300

Adattabile a : **MERCEDES**
 Suitable To :

Modelli Cambio/ Gearbox Models
GO230 (6 Speeds)

Models
 NEW TRAVEGO - TOURISMO
 (CH 632.xxx)
 INTEGRO
 (CH 633.xxx)



All original equipment manufacturers' numbers, symbols, pictures, models and description used in this catalogue are for reference only, and it is not implied that any part listed is the product of these manufactures. Tutti i nostri particolari non sono originali ma con essi intercambiabili. I riferimenti originali, le figure, i modelli sono esposti a semplice titolo indicativo. La nostra produzione riporta il nostro marchio.

Models

GO230 - 6 / 6,5-0,8 715.160

Adattabile a : **MERCEDES**
Suitable To :

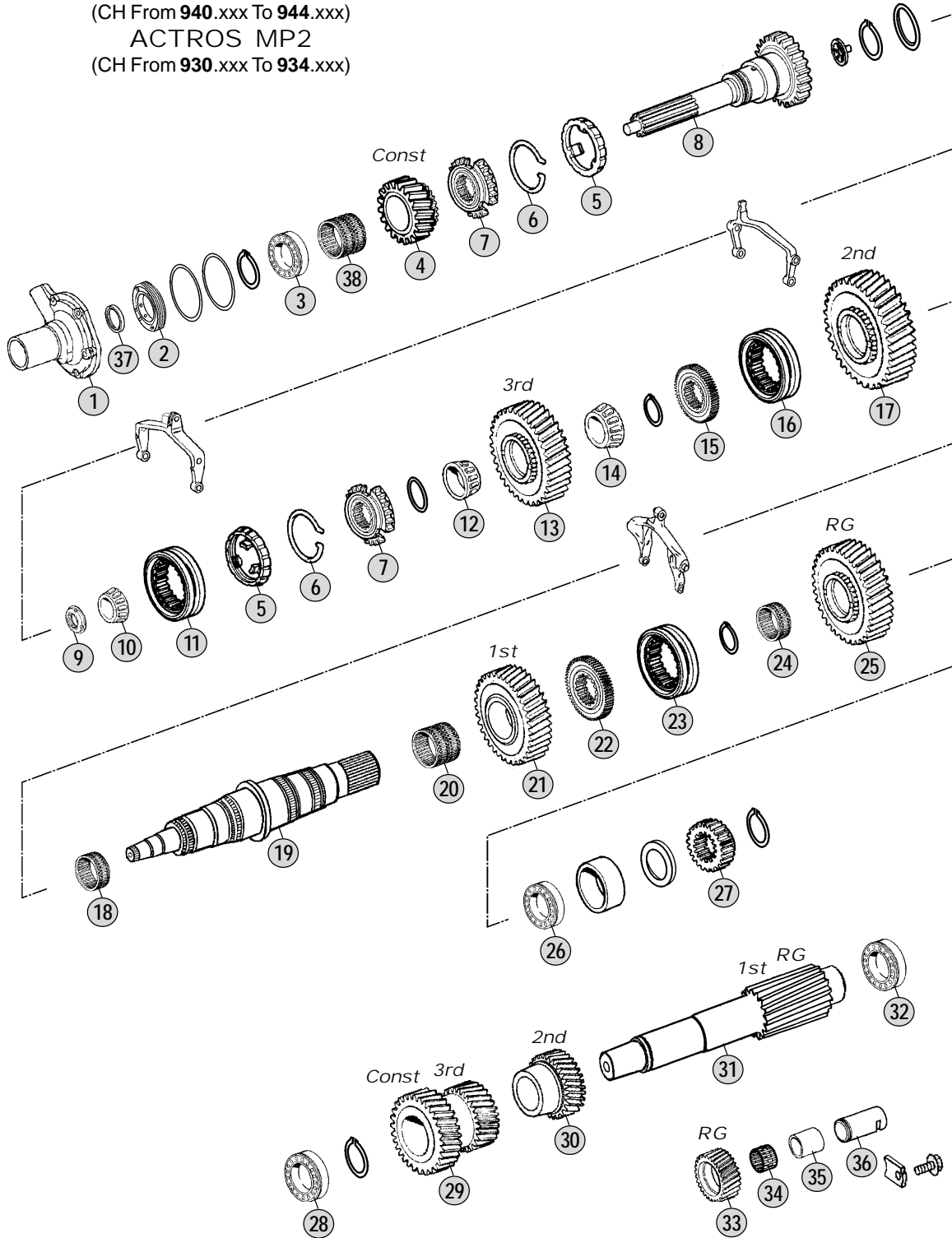
Models

AXOR

(CH From 940.xxx To 944.xxx)

ACTROS MP2

(CH From 930.xxx To 934.xxx)



All original equipment manufacturers' numbers, symbols and description used in this catalogue are for reference only, and it is not implied that any part listed is the product of these manufactures. Tutti i nostri particolari non sono originali ma con essi intercambiabili. I riferimenti originali, le figure, i modelli sono esposti a semplice titolo indicativo. La nostra produzione riporta il nostro marchio.

Models

G230 - 12 / 14,93-1,00 715.361

Fig.	CEI no.	Rif. MB	Description	Q.ty	Note	G230-12/14-93-1,0				
1	135.206	947 261 2218	Front Cover	1		●				
2	139.555	389 261 0865	Diaphragm	1		●				
3	130.550	011 981 1305	Bearing 75x140x34,3	1		●				
4	244.119	947 262 3510	Constant Gear I	1		●				
5	119.271	947 260 0545	Synchronizer Ring	2		●				
5	119.300	CEI 119300	Synchronizer Ring	2	LONG LIFE	●				
6	111.204	387 262 1093	Elastic Ring	2		●				
7	109.742	945 262 3634	Synchronizer Cone	2		●				
8	102.529	947 262 3502	Input Shaft	1		●				
9	187.676	945 990 0250	Nut M30x1,5	1		●				
10	130.556	014 981 1905	Bearing 39,6x77,7x40	1		●				
11	154.399	945 262 6823	Sliding Sleeve	1		●				
11	154.457	M945 262 6823	Sliding Sleeve	1	LONG LIFE	●				
12	130.561	015 981 7605	Bearing 50x85x41	1		●				
13	146.694	947 262 0117	Gear 3rd Speed 34 T	1		●				
14	130.558	015 981 1605	Bearing 39,65x82,3x41	1		●				
15	157.735	947 262 1435	Synchronizer Hub	1		●				
16	154.439	947 262 1123	Sliding Sleeve	1		●				
17	244.034	947 262 2012	Gear 2nd Speed 38 T	1		●				
18	137.182	008 981 8310	Needle Cage 75x83x55W	1		●				
19	103.238	947 262 1705	Main Shaft	1		●				
20	137.200	021 981 5710	Needle Cage 75x83x33W	1		●				
21	244.035	947 262 5310	Gear 1st Speed 41 T	1		●				
22	157.735	947 262 1435	Synchronizer Hub	1		●				
23	154.439	947 262 1123	Sliding Sleeve	1		●				
24	137.360	022 981 2310	Needle Cage	1		●				
25	147.259	947 262 1933	Reverse Gear 41 T	1		●				
26	130.864	016 981 7881	Bearing	1		●				
27	157.736	947 262 1209	Sun Gear 25 T	1	Old Type	●				
27	157.764	947 262 1609	Sun Gear 25 T	1	New Type	●				
28	130.554	014 981 1405	Bearing 50,8x100x35	1		●				
29	146.719	947 263 2110	Constant Gear	1		●				
30	146.695	947 263 0312	Gear 2nd Speed 23 T	1		●				
31	105.243	947 263 2402	Countershaft 15 T	1		●				
32	130.862	002 981 7781	Bearing	1		●				
33	147.258	947 263 1431	Reverse Gear 19 T	1		●				
34	137.357	021 981 5610	Needle Cage	1		●				
35	117.437	947 263 0050	Bush	1		●				
36	107.174	976 263 0030	Reverse Shaft	1		●				
37	139.556	019 997 0547	Oil Seal 56x72x8	1		●				
38	137.367	022 981 2010	Needle Cage	1		●				

Notes

Date

02 / 2011

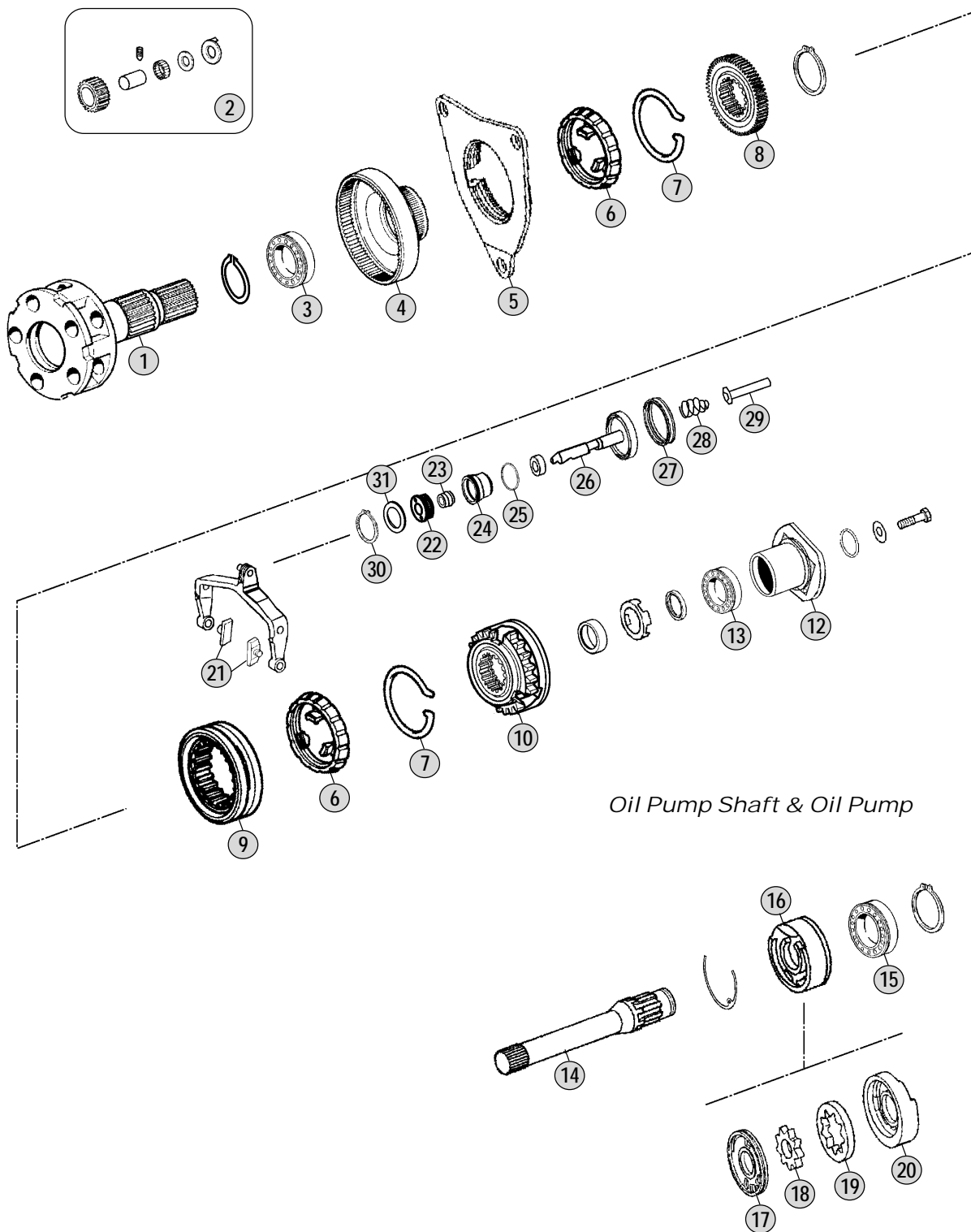
Table

0310

Adattabile a : **MERCEDES**
 Suitable To :

Modelli Cambio/ Gearbox Models
G230 (12 Speeds)

Models
AXOR
 (CH From **940.xxx** To **944.xxx**)
ACTROS MP2
 (CH From **930.xxx** To **934.xxx**)



Oil Pump Shaft & Oil Pump

Models

G230 - 12 / 14,93 - 1,00 **715.361**

All original equipment manufacturers' numbers, symbols and description used in this catalogue are for reference only, and it is not implied that any part listed is the product of these manufactures. Tutti i nostri particolari non sono originali ma con essi intercambiabili. I riferimenti originali, le figure, i modelli sono esposti a semplice titolo indicativo. La nostra produzione riporta il nostro marchio.

Fig.	CEI no.	Rif. MB	Description	Q.ty	Note	G230-12/14-93-1.0				
1	190.434	947 260 6361	Planetary Carrier	1		●				
2	298.180	947 260 0197	Repair Kit	1		●				
3	130.540	008 981 1325	Bearing 90x130x14	1		●				
4	123.314	947 262 2508	Crown Gear 85 T	1		●				
5	298.185	947 260 0736	Synchronizer Flange	1		●				
6	119.224	947 260 0945	Synchronizer Ring	2		●				
6	119.298	CEI 119298	Synchronizer Ring	2	LONG LIFE	●				
7	111.206	389 262 0293	Elastic Ring	2		●				
8	155.204	389 262 2035	Synchronizer Hub	1		●				
9	154.378	945 262 6923	Sliding Sleeve	1		●				
9	154.458	M945 262 6923	Sliding Sleeve	1	LONG LIFE	●				
10	109.791	947 262 0634	Synchronizer Cone	1		●				
12	197.203	947 260 0117	Output Flange	1		●				
13	130.863	009 981 3625	Bearing	1		●				
14	101.168	947 269 1010	Oil Pump Shaft	1		●				
14	101.169	947 269 1110	Oil Pump Shaft	1		●				
15	130.859	008 981 5425	Bearing	1		●				
16	280.587	389 260 0690	Oil Pump	1		●				
17	189.607	389 269 2601	Oil Pump Cover	1		●				
18	189.606	389 269 1406	Oil Pump Gear	1		●				
19	189.605	389 269 0706	Oil Pump Hub	1		●				
20	189.604	947 269 1001	Oil Pump Housing	1		●				
21	141.165	947 265 0349	Slide Fork	2	BRASS	●				
21	141.221	M947 265 0349	Slide Fork	2	IRON	●				
22	189.680	945 267 0218	Piston	1		●				
23	139.813	006 997 6447	Oil Seal 41x48x11,5	1		●				
24	132.070	945 267 0819	Cylinder	1		●				
25	139.857	022 997 4248	Seal Ring	1		●				
26	132.071	930 260 2289	Cylinder	1		●				
27	139.817	024 997 8347	Oil Seal 77x90x17	1		●				
28	156.204	008 993 0801	Spring	1		●				
29	188.242	000 543 5785	Oil Tube	1		●				
30	111.358	006 994 4241	Lock Ring	1		●				
31	269.232	389 262 2555	Spacer Th.0,70(64,7x50) mm	1		●				
31	269.233	389 262 2655	Spacer Th.0,90(64,7x50) mm	1		●				
31	269.243	389 262 3254	Spacer Th.1,05(64,7x50) mm	1		●				
31	269.246	389 262 3354	Spacer Th.1,10(64,7x50) mm	1		●				
31	269.249	389 262 3554	Spacer Th.1,20(64,7x50) mm	1		●				
31	269.227	389 262 2052	Spacer Th.1,40(64,7x50) mm	1		●				
31	269.242	389 262 3252	Spacer Th.2,00(64,7x50) mm	1		●				
31	269.245	389 262 3352	Spacer Th.2,50(64,7x50) mm	1		●				

Notes

Date

04 / 2011

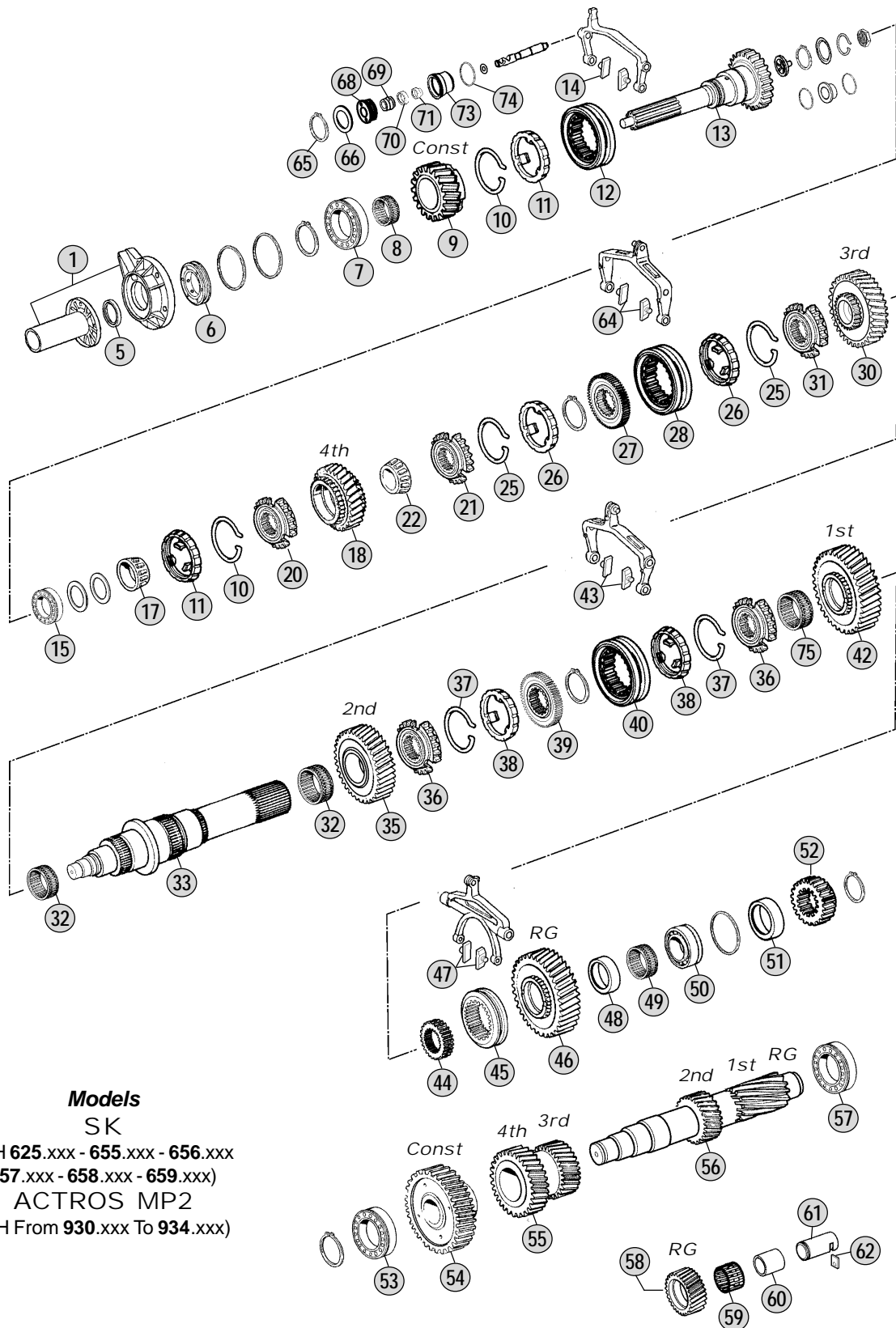
Table

0315

All original equipment manufacturers numbers, symbols, pictures, models and description used in this catalogue are for reference only, and it is not implied that any part listed is the product of these manufactures.
Tutti i nostri particolari non sono originali ma con essi intercambiabili. I riferimenti originali, le figure, i modelli sono esposti a semplice titolo indicativo. La nostra produzione riporta il nostro marchio.

Adattabile a : **MERCEDES**
 Suitable To :

Modelli Cambio/ Gearbox Models
G230 (16 Speeds)



Models

SK

(CH 625.xxx - 655.xxx - 656.xxx

657.xxx - 658.xxx - 659.xxx)

ACTROS MP2

(CH From 930.xxx To 934.xxx)

All original equipment manufacturers' numbers, symbols and description used in this catalogue are for reference only, and it is not implied that any part listed is the product of these manufactures.
 Tutti i nostri particolari non sono originali ma con essi intercambiabili. I riferimenti originali, le figure, i modelli sono esposti a semplice titolo indicativo. La nostra produzione riporta il nostro marchio.

Models

G230 - 16 / 14,2 - 0,83 **715.507**

Fig.	CEI no.	Rif. MB	Description	Q.ty	Note	G230-16/14,2-0.83				
1	135.134	945 261 1118	Front Cover	1		●				
5	139.556	019 997 0547	Oil Seal 56x72x8	1		●				
6	139.555	389 261 0865	Diaphragm	1		●				
7	130.550	011 981 1305	Bearing 75x140x34,3	1		●				
8	137.188	016 981 0010	Needle Cage K89x97x40ZW	1		●				
9	145.584	945 262 4110	Constant Gear 32 T	1	(A)	●				
9	145.971	945 262 7517	Constant Gear 32 T	1	(B)	●				
10	111.204	387 262 1093	Elastic Ring	2		●				
11	119.112	389 262 0637	Synchronizer Ring	2	(A)	●				
11	119.226	389 262 3137	Synchronizer Ring	2	(A) LONG LIFE	●				
11	119.271	947 260 0545	Synchronizer Ring	2	(B)	●				
11	119.300	CEI 119300	Synchronizer Ring	2	(B) LONG LIFE	●				
12	154.221	945 262 0323	Sliding Sleeve	1	(A)	●				
12	154.408	M945 262 0323	Sliding Sleeve	1	(A) LONG LIFE	●				
12	154.399	945 262 6823	Sliding Sleeve	1	(B)	●				
12	154.457	M945 262 6823	Sliding Sleeve	1	(B) LONG LIFE	●				
13	102.275	389 262 8201	Input Shaft	1		●				
13	102.497	945 262 6303	Input Shaft	1		●				
14	141.165	947 265 0349	Slide Fork	2	BRASS	●				
14	141.221	M947 265 0349	Slide Fork	2	IRON	●				
15	130.558	015 981 1605	Bearing 39,65x82,3x41	1		●				
17	130.561	015 981 7605	Bearing 50x85x41	1		●				
18	145.586	945 262 0510	Gear 4th Speed 29 T	1		●				
20	109.335	945 262 0334	Synchronizer Cone	1	(A)	●				
20	109.742	945 262 3634	Synchronizer Cone	1	(B)	●				
21	109.189	945 262 0534	Synchronizer Cone	1	(A)	●				
21	109.414	945 262 5434	Synchronizer Cone	1	(B)	●				
22	130.547	CEI 130547	Bearing 55x24	1		●				
25	111.205	387 262 0893	Elastic Ring	2		●				
26	119.161	389 262 0737	Synchronizer Ring	2	(A)	●				
26	119.225	389 262 3237	Synchronizer Ring	2	(A) LONG LIFE	●				
26	119.237	946 262 6137	Synchronizer Ring	2	(B)	●				
26	119.299	CEI 119299	Synchronizer Ring	2	(B) LONG LIFE	●				
27	157.556	389 262 4735	Synchronizer Hub	1		●				
28	154.220	945 262 0423	Sliding Sleeve	1	(A)	●				
28	154.409	M945 262 0423	Sliding Sleeve	1	(A) LONG LIFE	●				
28	154.388	945 262 6523	Sliding Sleeve	1	(B)	●				
28	154.460	M945 262 6523	Sliding Sleeve	1	(B) LONG LIFE	●				
30	145.591	945 262 3513	Gear 3rd Speed 34 T	1		●				
31	109.189	945 262 0534	Synchronizer Cone	1	(A)	●				
31	109.414	945 262 5434	Synchronizer Cone	1	(B)	●				
32	137.177	018 981 6610	Needle Cage K85x93x53ZWD	2		●				
33	103.149	945 262 3605	Main Shaft	1	Old Bearing	●				
33	103.188	945 262 4505	Main Shaft	1	New Bearing	●				
35	145.615	945 262 3112	Gear 2nd Speed 39 T	1		●				

Notes

(A - B) To be coupled together

Date

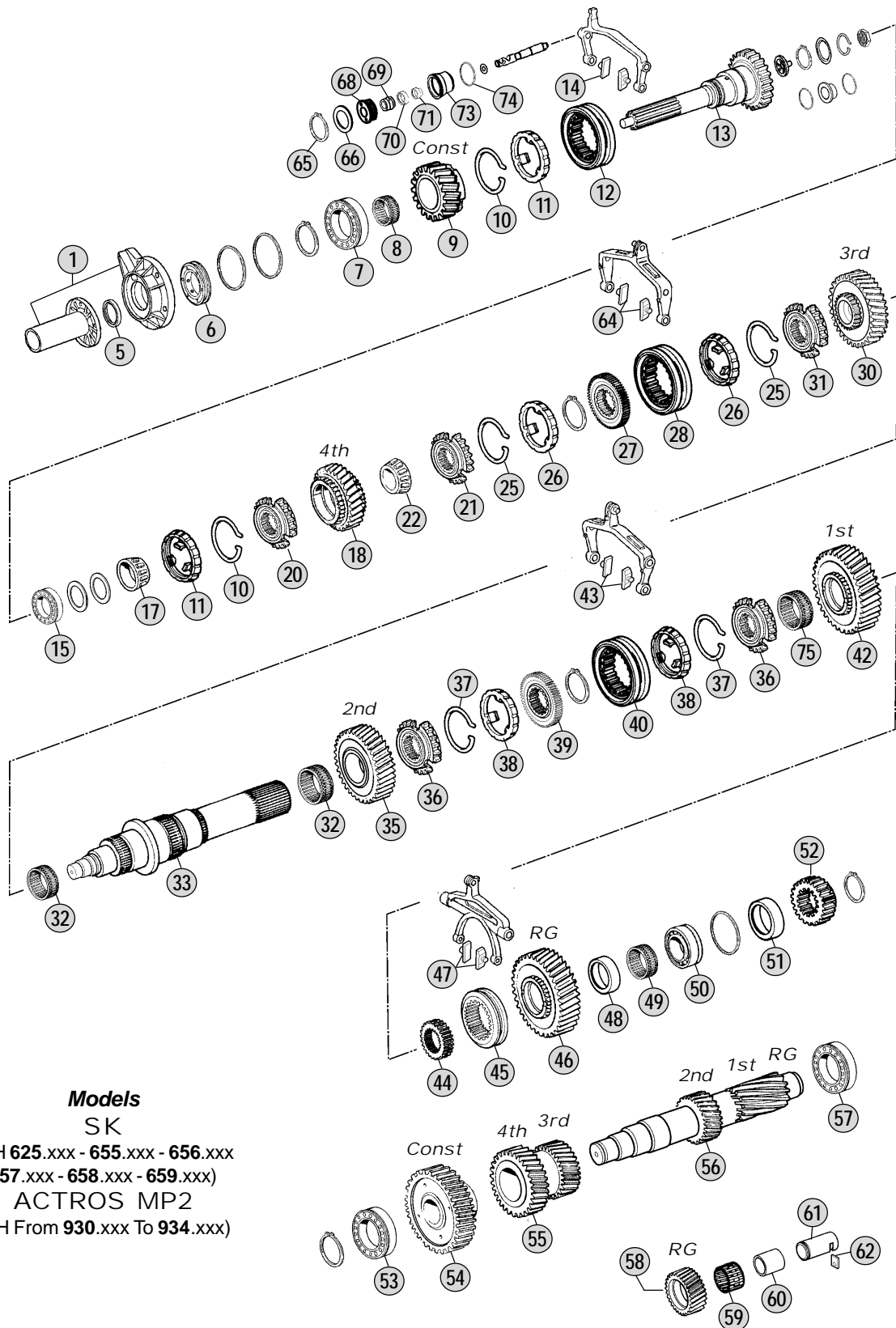
04 / 2011

Table

0320

Adattabile a : **MERCEDES**
 Suitable To :

Modelli Cambio/ Gearbox Models
G230 (16 Speeds)



Models
 SK
 (CH 625.xxx - 655.xxx - 656.xxx
 657.xxx - 658.xxx - 659.xxx)
 ACTROS MP2
 (CH From 930.xxx To 934.xxx)

All original equipment manufacturers numbers, symbols and description used in this catalogue are for reference only, and it is not implied that any part listed is the product of these manufactures.
 Tutti i nostri particolari non sono originali ma con essi intercambiabili. I riferimenti originali, le figure, i modelli sono esposti a semplice titolo indicativo. La nostra produzione riporta il nostro marchio.

Models

G230 - 16 / 14,2 - 0,83 **715.507**



Fig.	CEI no.	Rif. MB	Description	Q.ty	Note	G230-16/14,2-0,83				
36	109.187	945 262 0434	Synchronizer Cone	2	(A)	●				
36	109.415	945 262 5534	Synchronizer Cone	2	(B)	●				
37	111.205	387 262 0893	Elastic Ring	2		●				
38	119.161	389 262 0737	Synchronizer Ring	2	(A)	●				
38	119.225	389 262 3237	Synchronizer Ring	2	(A) LONG LIFE	●				
38	119.237	946 262 6137	Synchronizer Ring	2	(B)	●				
38	119.299	CEI 119299	Synchronizer Ring	2	(B) LONG LIFE	●				
39	157.557	389 262 2535	Synchronizer Hub	1		●				
40	154.220	945 262 0423	Sliding Sleeve	1	(A)	●				
40	154.409	M945 262 0423	Sliding Sleeve	1	(A) LONG LIFE	●				
40	154.388	945 262 6523	Sliding Sleeve	1	(B)	●				
40	154.460	M945 262 6523	Sliding Sleeve	1	(B) LONG LIFE	●				
42	145.616	389 262 2711	Gear 1st Speed 44 T	1		●				
43	141.165	947 265 0349	Slide Fork	2	BRASS	●				
43	141.221	M947 265 0349	Slide Fork	2	IRON	●				
44	157.603	389 262 0135	Synchronizer Hub	1	With 154.224	●				
44	157.606	389 262 3935	Synchronizer Hub	1	With 154.223 / Old Type	●				
44	155.232	945 262 3835	Synchronizer Hub	1	With 154.223 / New Type	●				
45	154.224	389 262 1723	Sliding Sleeve	1		●				
45	154.223	389 262 1823	Sliding Sleeve	1		●				
46	147.161	945 262 3233	Reverse Gear 40 T	1	With 154.224	●				
46	147.163	945 262 3333	Reverse Gear 40 T	1	With 154.223 / Old Type	●				
46	147.245	945 262 4433	Reverse Gear 40 T	1	With 154.223 / New Type	●				
47	141.160	945 265 0149	Slide Fork	2		●				
48	117.327	389 262 2550	Bush	1		●				
49	137.187	009 981 1510	Needle Cage K78x86x35ZW	1		●				
50	130.552	014 981 6105	Bearing 60x130x30	1		●				
51	117.325	389 262 3754	Spacer Th.18(74x60) mm	1		●				
52	157.605	945 262 0909	Sun Gear 25 T	1		●				
53	130.554	014 981 1405	Bearing 50,8x100x35	1		●				
54	146.499	945 263 0810	Constant Gear 31 T	1		●				
55	143.102	945 263 1013	Double Gear 4th/3rd Sp.-34/27 T	1		●				
56	105.132	945 263 2902	Countershaft 21/16 T	1		●				
57	130.553	016 981 1205	Bearing 60x130x33,8	1		●				
58	147.162	389 263 1031	Reverse Gear 21 T	1		●				
59	137.181	012 981 8910	Needle Cage K42x50x51ZW	1		●				
60	117.324	389 263 0850	Bush Th.18(74x60) mm	1		●				
61	107.239	389 263 0430	Reverse Shaft	1	Old Style	●				
61	107.174	976 263 0030	Reverse Shaft	1	New Style	●				
62	188.245	389 263 0041	Key	1	Old Style	●				
62	188.236	945 263 0041	Key	1	New Style	●				
64	141.165	947 265 0349	Slide Fork	2	BRASS	●				
64	141.221	M947 265 0349	Slide Fork	2	IRON	●				
65	111.358	006 994 4241	Lock Ring	1		●				
66	269.233	389 262 2655	Spacer Th.0,90(64,7x50) mm	1		●				

Notes

(A - B) To be coupled together

Date

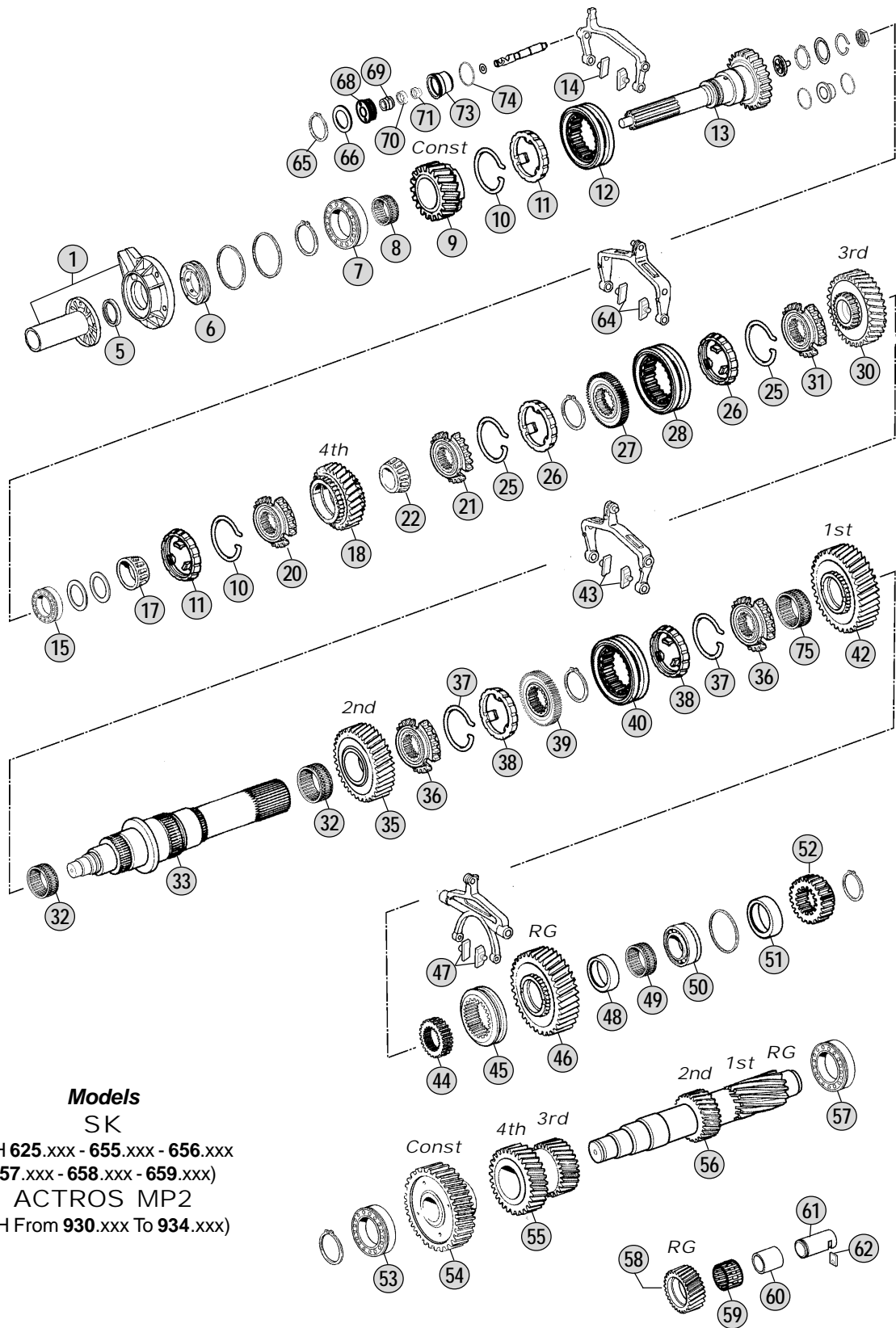
04 / 2011

Table

0320

Adattabile a : **MERCEDES**
 Suitable To :

Modelli Cambio/ Gearbox Models
G230 (16 Speeds)



Models

SK

(CH 625.xxx - 655.xxx - 656.xxx

657.xxx - 658.xxx - 659.xxx)

ACTROS MP2

(CH From 930.xxx To 934.xxx)

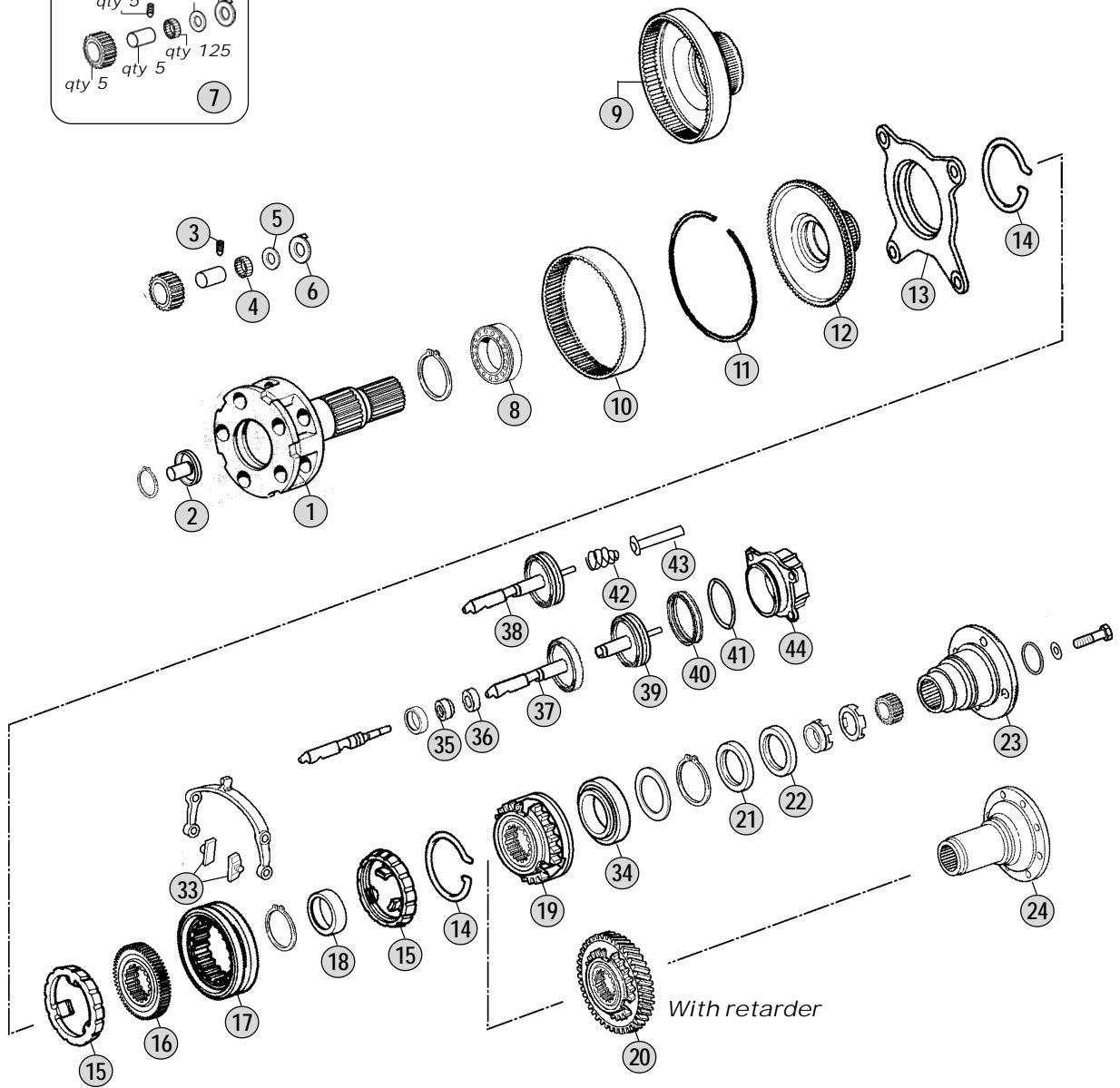
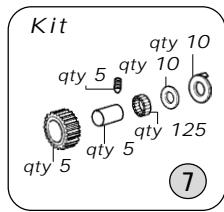
All original equipment manufacturers numbers, symbols and description used in this catalogue are for reference only, and it is not implied that any part listed is the product of these manufactures.
 Tutti i nostri particolari non sono originali ma con essi intercambiabili. I riferimenti originali, le figure, i modelli sono esposti a semplice titolo indicativo. La nostra produzione riporta il nostro marchio.

Models

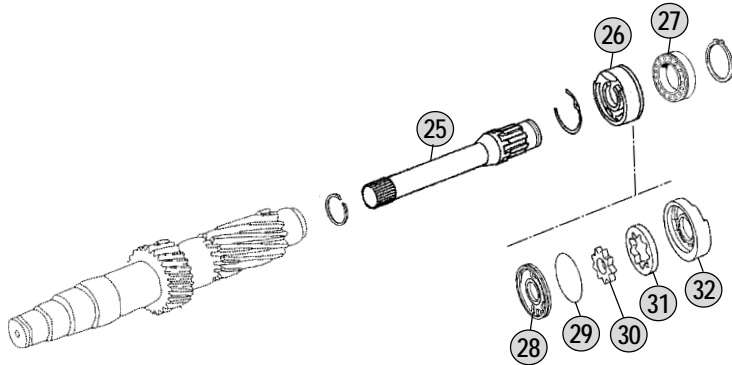
G230 - 16 / 14,2 - 0,83 **715.507**

Adattabile a : **MERCEDES**
 Suitable To :

Modelli Cambio/ Gearbox Models
G230 (16 Speeds)



Oil Pump Shaft & Oil Pump



Models
SK

(CH 625.xxx - 655.xxx - 656.xxx
 657.xxx - 658.xxx - 659.xxx)
ACTROS MP2
 (CH From 930.xxx To 934.xxx)

Models

G230 - 16 / 14,2 - 0,83 **715.361**

All original equipment manufacturers' numbers, symbols and description used in this catalogue are for reference only, and it is not implied that any part listed is the product of these manufactures. Tutti i nostri particolari non sono originali ma con essi intercambiabili. I riferimenti originali, le figure, i modelli sono esposti a semplice titolo indicativo. La nostra produzione riporta il nostro marchio.



Fig.	CEI no.	Rif. MB	Description	Q.ty	Note	G230-16/14,2-0,83				
1	190.337	946 260 3661	Planetary Carrier (Empty)	1	Empty	●				
1	190.338	945 260 4661	Planetary Carrier (Complete)	1	Complete	●				
2	188.181	945 269 0834	Oil Tube	1		●				
3	187.609	000914 006109	Stud 6x14 mm	5		●				
4	171.057	000 981 4186	Needle 5x39,8	125		●				
5	169.801	389 262 0162	Spacer	10		●				
6	169.803	389 262 1462	Thrust Washer	10		●				
7	198.886	655 260 0197	Repair Kit	1		●				
8	130.540	008 981 1325	Bearing 90x130x14	1		●				
9	123.230	945 262 0108	Crown Gear 85 T D.269 mm	1	ALT-1 pc.Fig.10+Fig.11+Fig.12	●				
10	123.232	945 262 0208	Crown Gear 85 T D.269-H 70mm	1	ALT-1 pc.Fig.9 (Crown Assy)	●				
10	123.313	945 262 0808	Crown Gear 85 T D.271-H 70mm	1	ALT-1 pc.Fig.9 (Crown Assy)	●				
11	111.209	389 262 0773	Lock Ring	1		●				
12	150.144	389 262 1425	Carrier Hub 85 T	1	ALT-1 pc.Fig.9 (Crown Assy)	●				
13	198.879	389 260 2036	Synchronizer Flange	1	(A)	●				
13	298.054	947 260 3036	Synchronizer Flange	1	(B)	●				
14	111.206	389 262 0293	Elastic Ring	2		●				
15	119.160	389 262 0537	Synchronizer Ring	2	(A)	●				
15	119.250	389 262 3337	Synchronizer Ring	2	(A) LONG LIFE	●				
15	119.224	947 260 0945	Synchronizer Ring	2	(B)	●				
15	119.298	CEI 119298	Synchronizer Ring	2	(B) LONG LIFE	●				
16	155.204	389 262 2035	Synchronizer Hub	1		●				
17	154.217	945 262 6623	Sliding Sleeve	1	(A)	●				
17	154.433	M945 262 6623	Sliding Sleeve	1	(A) LONG LIFE	●				
17	154.378	945 262 6923	Sliding Sleeve	1	(B)	●				
17	154.458	M945 262 6923	Sliding Sleeve	1	(B) LONG LIFE	●				
18	117.322	389 262 0251	Bush	1		●				
19	109.337	389 262 9234	Synchronizer Cone	1	(A)	●				
19	109.408	945 262 3834	Synchronizer Cone	1	(B)	●				
20	109.342	389 264 0730	Synchronizer Cone W/RET.63 T	1	(A) With Retarder	●				
20	109.794	930 264 0120	Synchronizer Cone W/RET.	1	(A) With Retarder	●				
20	109.830	930 264 0220	Synchronizer Cone W/RET.	1	(A) With Retarder	●				
20	109.793	945 264 0520	Synchronizer Cone W/RET.63 T	1	(B) With Retarder	●				
20	196.369	930 264 0320	Gear W/RET. 64 T	1	(B) With Retarder	●				
21	139.551	013 997 7247	Oil Seal 95x115x13	1		●				
21	139.552	013 997 7347	Oil Seal 95x115x13	1	For Model with VOITH Retarder	●				
21	139.557	015 997 6447	Oil Seal	1	For Model with TELMA Retarder	●				
22	139.552	013 997 7347	Oil Seal 95x115x13	1		●				
22	139.558	017 997 1247	Oil Seal	1	For Model with TELMA Retarder	●				
23	197.083	945 262 0045	Output Flange D.180 mm	1		●				
23	197.173	930 262 0045	Output Flange D.180 mm	1		●				
23	197.082	389 262 0645	Output Flange D.200 mm	1		●				
23	197.174	930 262 0145	Output Flange D.200 mm	1		●				
23	197.082	389 262 0645	Output Flange D.200 mm	1		●				
23	197.081	389 262 0545	Output Flange D.180 mm	1	For Model with VOITH Retarder	●				

Notes

- (A) Up to gearbox 36686
(B) From gearbox 36687

Date

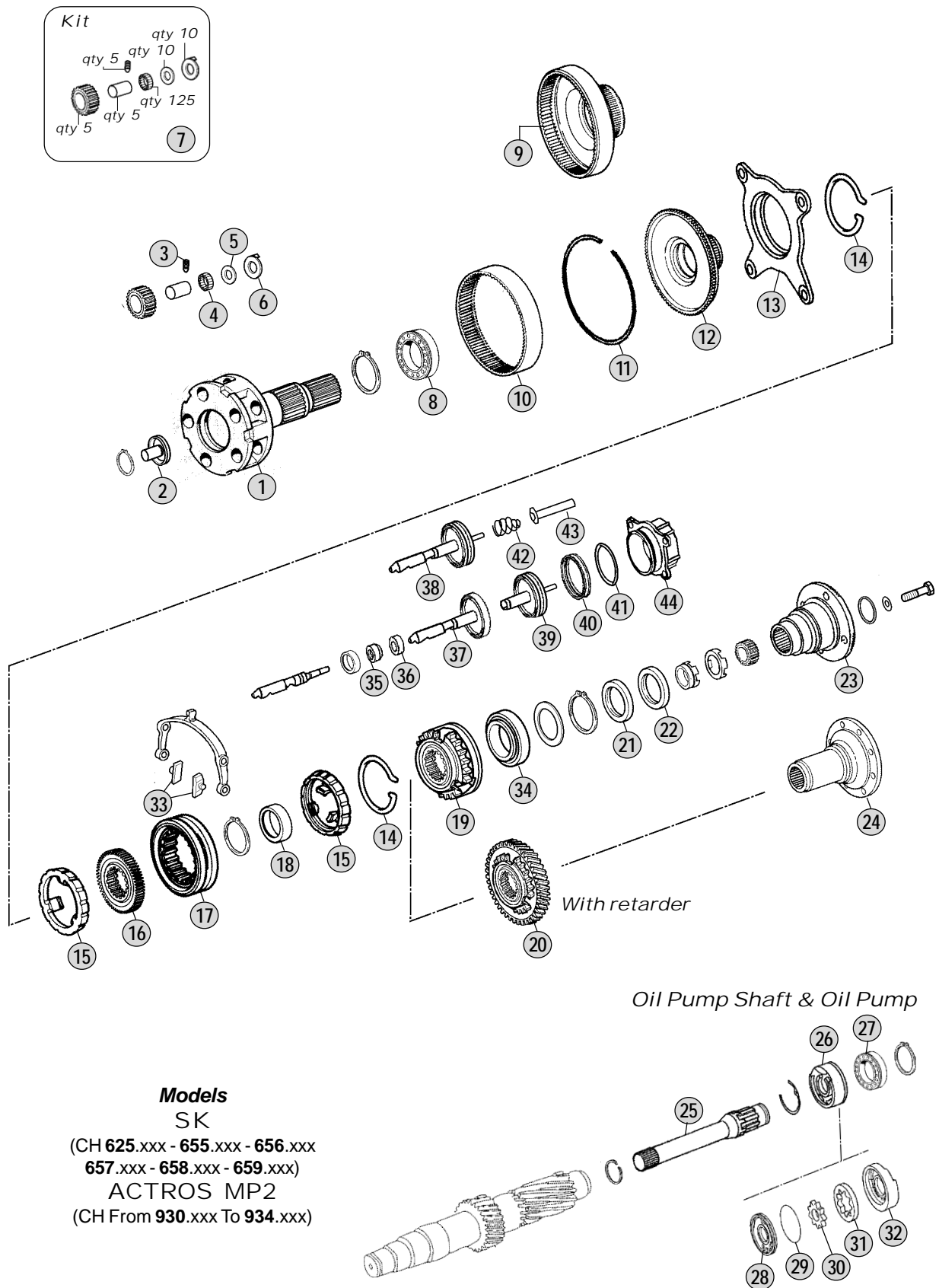
04 / 2011

Table

0325

Adattabile a : **MERCEDES**
 Suitable To : **MERCEDES**

Modelli Cambio/ Gearbox Models
G230 (16 Speeds)

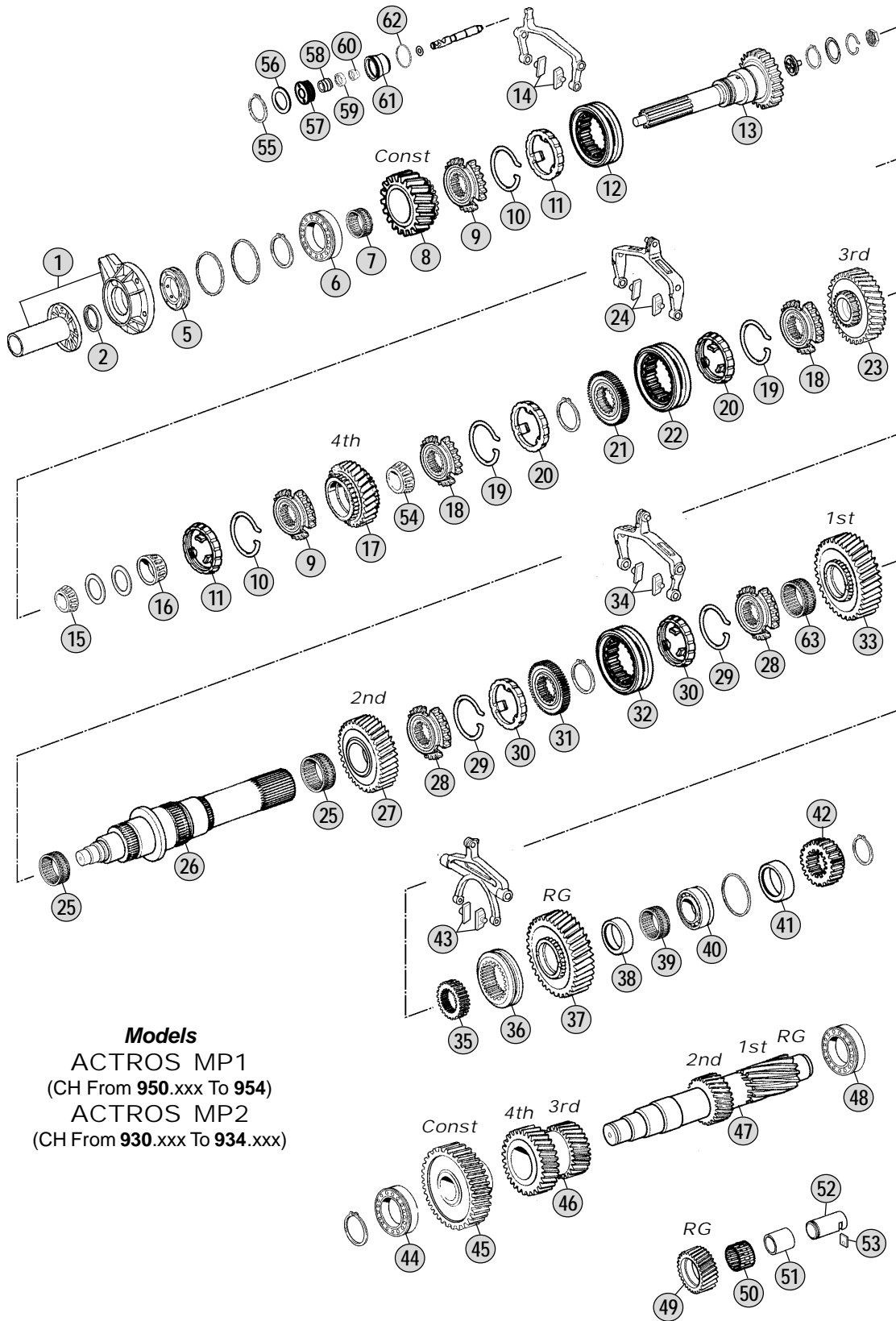


All original equipment manufacturers' numbers, symbols and description used in this catalogue are for reference only, and it is not implied that any part listed is the product of these manufactures.
 Tutti i nostri particolari non sono originali ma con essi intercambiabili. I riferimenti originali, le figure, i modelli sono esposti a semplice titolo indicativo. La nostra produzione riporta il nostro marchio.

Models

G230 - 16 / 14,2 - 0,83 **715.361**

Adattabile a : **MERCEDES**
Suitable To :



Models
ACTROS MP1
 (CH From 950.xxx To 954)
ACTROS MP2
 (CH From 930.xxx To 934.xxx)

All original equipment manufacturers numbers, symbols and description used in this catalogue are for reference only, and it is not implied that any part listed is the product of these manufactures.
 Tutti i nostri particolari non sono originali ma con essi intercambiabili. I riferimenti originali, le figure, i modelli sono esposti a semplice titolo indicativo. La nostra produzione riporta il nostro marchio.

Models

G231 - 16 715.513

Fig.	CEI no.	Rif. MB	Description	Q.ty	Note	G231 - 16				
1	135.134	945 261 1118	Front Cover	1		●				
2	139.556	019 997 0547	Oil Seal 56x72x8	1		●				
5	139.555	389 261 0865	Diaphragm	1		●				
6	130.550	011 981 1305	Bearing 75x140x34,3	1		●				
7	137.189	018 981 6410	Needle Cage 84x90x39,5	1		●				
8	145.618	945 262 4410	Constant Gear 27 T	1		●				
9	109.335	945 262 0334	Synchronizer Cone	2	(A)	●				
9	109.742	945 262 3634	Synchronizer Cone	2	(B)	●				
10	111.204	387 262 1093	Elastic Ring	2		●				
11	119.112	389 262 0637	Synchronizer Ring	2	(A)	●				
11	119.226	389 262 3137	Synchronizer Ring	2	(A) LONG LIFE	●				
11	119.271	947 260 0545	Synchronizer Ring	2	(B)	●				
11	119.300	CEI 119300	Synchronizer Ring	2	(B) LONG LIFE	●				
12	154.221	945 262 0323	Sliding Sleeve	1	(A)	●				
12	154.408	M945 262 0323	Sliding Sleeve	1	(A) LONG LIFE	●				
12	154.399	945 262 6823	Sliding Sleeve	1	(B)	●				
12	154.457	M945 262 6823	Sliding Sleeve	1	(B) LONG LIFE	●				
13	102.273	945 262 4403	Input Shaft 60 T	1		●				
13	102.282	945 262 3201	Input Shaft	1		●				
13	102.508	945 262 6403	Input Shaft	1		●				
13	102.279	945 262 1901	Input Shaft	1	Old Type-With NMV	●				
13	102.278	389 262 7901	Input Shaft	1	Old Type-With NMV	●				
13	102.507	945 262 6003	Input Shaft	1	New Type-With NMV	●				
14	141.165	947 265 0349	Slide Fork	2	BRASS	●				
14	141.221	M947 265 0349	Slide Fork	2	IRON	●				
15	130.556	014 981 1905	Bearing 39,6x77,7x40	1		●				
16	130.561	015 981 7605	Bearing 50x85x41	1		●				
17	145.586	945 262 0510	Gear 4th Speed 29 T	1	Shot Peened Treatment	●				
17	145.623	945 262 2310	Gear 4th Speed 29 T	1	Shot Blasted Treatment	●				
18	109.189	945 262 0534	Synchronizer Cone	2	(A)	●				
18	109.414	945 262 5434	Synchronizer Cone	2	(B)	●				
19	111.205	387 262 0893	Elastic Ring	2		●				
20	119.161	389 262 0737	Synchronizer Ring	2	(A)	●				
20	119.225	389 262 3237	Synchronizer Ring	2	(A) LONG LIFE	●				
20	119.237	946 262 6137	Synchronizer Ring	2	(B)	●				
20	119.299	CEI 119299	Synchronizer Ring	2	(B) LONG LIFE	●				
21	157.556	389 262 4735	Synchronizer Hub	1		●				
22	154.220	945 262 0423	Sliding Sleeve	1	(A)	●				
22	154.409	M945 262 0423	Sliding Sleeve	1	(A) LONG LIFE	●				
22	154.388	945 262 6523	Sliding Sleeve	1	(B)	●				
22	154.460	M945 262 6523	Sliding Sleeve	1	(B) LONG LIFE	●				
23	145.591	945 262 3513	Gear 3rd Speed 34 T	1		●				
24	141.165	947 265 0349	Slide Fork	2	BRASS	●				
24	141.221	M947 265 0349	Slide Fork	2	IRON	●				
25	137.177	018 981 6610	Needle Cage K85x93x53ZWD	2		●				

Notes

- (A) Up to gearbox 502735
(B) From gearbox 502736

Date

04 / 2011

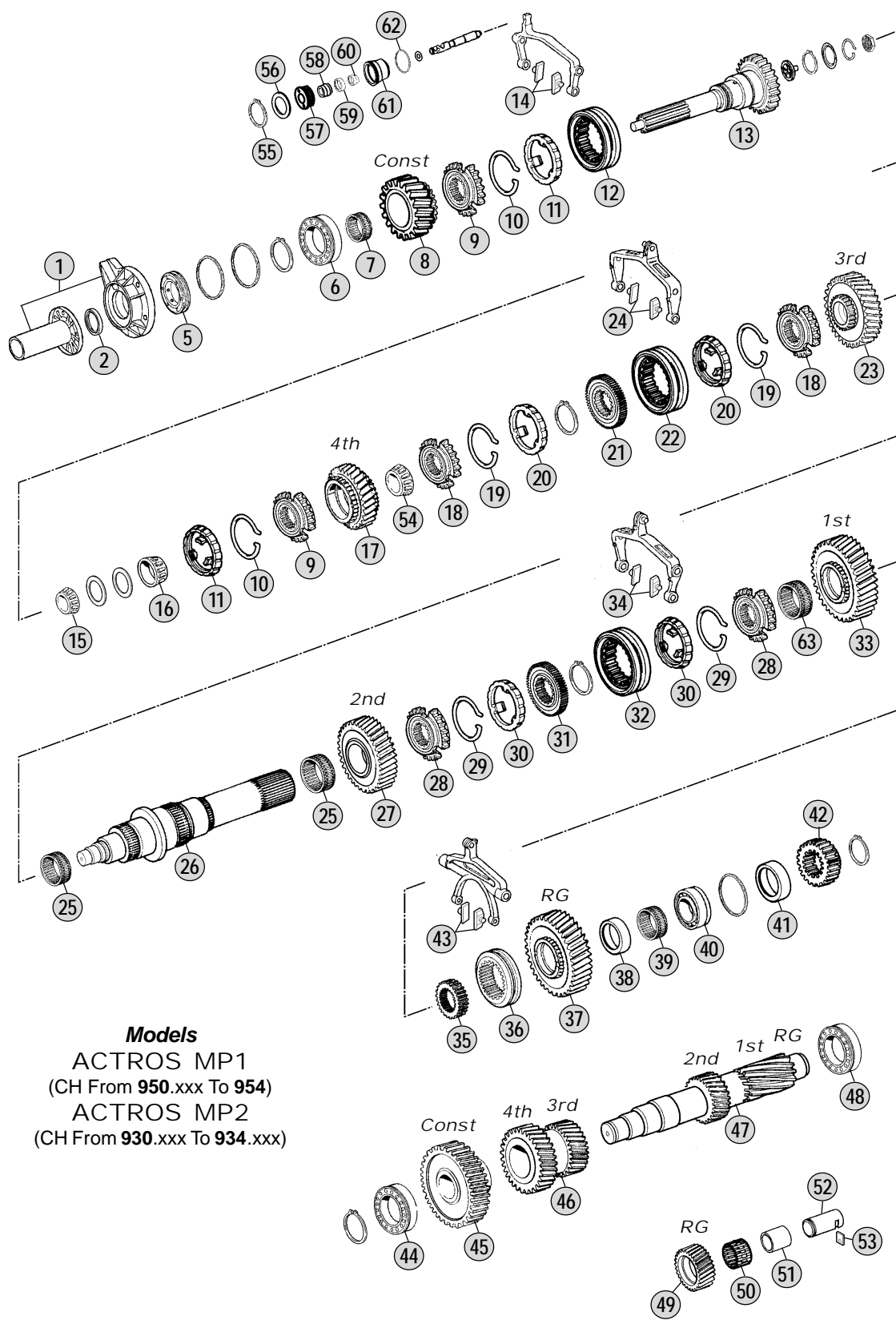
Table

0330

All original equipment manufacturers numbers, symbols, pictures, models and description used in this catalogue are for reference only, and it is not implied that any part listed is the product of these manufactures.
Tutti i nostri particolari non sono originali ma con essi intercambiabili. I riferimenti originali, le figure, i modelli sono esposti a semplice titolo indicativo. La nostra produzione riporta il nostro marchio.

Adattabile a : **MERCEDES**
 Suitable To :

Modelli Cambio/ Gearbox Models
G231 (16 Speeds)



Models
 ACTROS MP1
 (CH From 950.xxx To 954)
 ACTROS MP2
 (CH From 930.xxx To 934.xxx)

All original equipment manufacturers numbers, symbols and description used in this catalogue are for reference only, and it is not implied that any part listed is the product of these manufactures.
 Tutti i nostri particolari non sono originali ma con essi intercambiabili. I riferimenti originali, le figure, i modelli sono esposti a semplice titolo indicativo. La nostra produzione riporta il nostro marchio.

Models

G231 - 16 715.513



Fig.	CEI no.	Rif. MB	Description	Q.ty	Note	G231 - 16				
26	103.149	945 262 3605	Main Shaft	1	Old Bearing	●				
26	103.188	945 262 4505	Main Shaft	1	New Bearing	●				
27	145.615	945 262 3112	Gear 2nd Speed 39 T	1		●				
28	109.187	945 262 0434	Synchronizer Cone	2	(A)	●				
28	109.415	945 262 5534	Synchronizer Cone	2	(B)	●				
29	111.205	387 262 0893	Elastic Ring	2		●				
30	119.161	389 262 0737	Synchronizer Ring	2	(A)	●				
30	119.225	389 262 3237	Synchronizer Ring	2	(A) LONG LIFE	●				
30	119.237	946 262 6137	Synchronizer Ring	2	(B)	●				
30	119.299	CEI 119299	Synchronizer Ring	2	(B) LONG LIFE	●				
31	157.557	389 262 2535	Synchronizer Hub	1		●				
32	154.220	945 262 0423	Sliding Sleeve	1	(A)	●				
32	154.409	M945 262 0423	Sliding Sleeve	1	(A) LONG LIFE	●				
32	154.388	945 262 6523	Sliding Sleeve	1	(B)	●				
32	154.460	M945 262 6523	Sliding Sleeve	1	(B) LONG LIFE	●				
33	145.616	389 262 2711	Gear 1st Speed 44 T	1		●				
34	141.165	947 265 0349	Slide Fork	2	BRASS	●				
34	141.221	M947 265 0349	Slide Fork	2	IRON	●				
35	157.603	389 262 0135	Synchronizer Hub	1	With Sleeve 154.224	●				
35	157.606	389 262 3935	Synchronizer Hub	1	With 154.223 / Old Type	●				
35	155.232	945 262 3835	Synchronizer Hub	1	With 154.223 / New Type	●				
36	154.224	389 262 1723	Sliding Sleeve	1		●				
36	154.223	389 262 1823	Sliding Sleeve	1		●				
37	147.161	945 262 3233	Reverse Gear 40 T	1	With 154.224	●				
37	147.163	945 262 3333	Reverse Gear 40 T	1	With 154.223 / Old Type	●				
37	147.245	945 262 4433	Reverse Gear 40 T	1	With 154.223 / New Type	●				
38	117.327	389 262 2550	Bush	1		●				
39	137.187	009 981 1510	Needle Cage K78x86x35ZW	1		●				
40	130.552	014 981 6105	Bearing 60x130x30	1		●				
41	117.325	389 262 3754	Spacer Th.18(74x60) mm	1		●				
42	157.605	945 262 0909	Sun Gear 25 T	1		●				
43	141.160	945 265 0149	Slide Fork	2		●				
44	130.554	014 981 1405	Bearing 50,8x100x35	1		●				
45	146.504	945 263 1110	Constant Gear 38 T	1		●				
46	143.102	945 263 1013	Double Gear 4th/3rd Sp.-34/27 T	1		●				
47	105.132	945 263 2902	Countershaft 21/16 T	1		●				
48	130.553	016 981 1205	Bearing 60x130x33,8	1		●				
49	147.162	389 263 1031	Reverse Gear 21 T	1		●				
50	137.181	012 981 8910	Needle Cage K42x50x51ZW	1		●				
51	117.324	389 263 0850	Bush Th.18(74x60) mm	1		●				
52	107.174	976 263 0030	Reverse Shaft	1		●				
53	188.236	945 263 0041	Key	1		●				
54	130.547	CEI 130547	Bearing 55x24	1		●				
55	111.358	006 994 4241	Lock Ring	1		●				
56	269.232	389 262 2555	Spacer Th.0,70(64,7x50) mm	1		●				

Notes

- (A) Up to gearbox 502735
 (B) From gearbox 502736

Date

04 / 2011

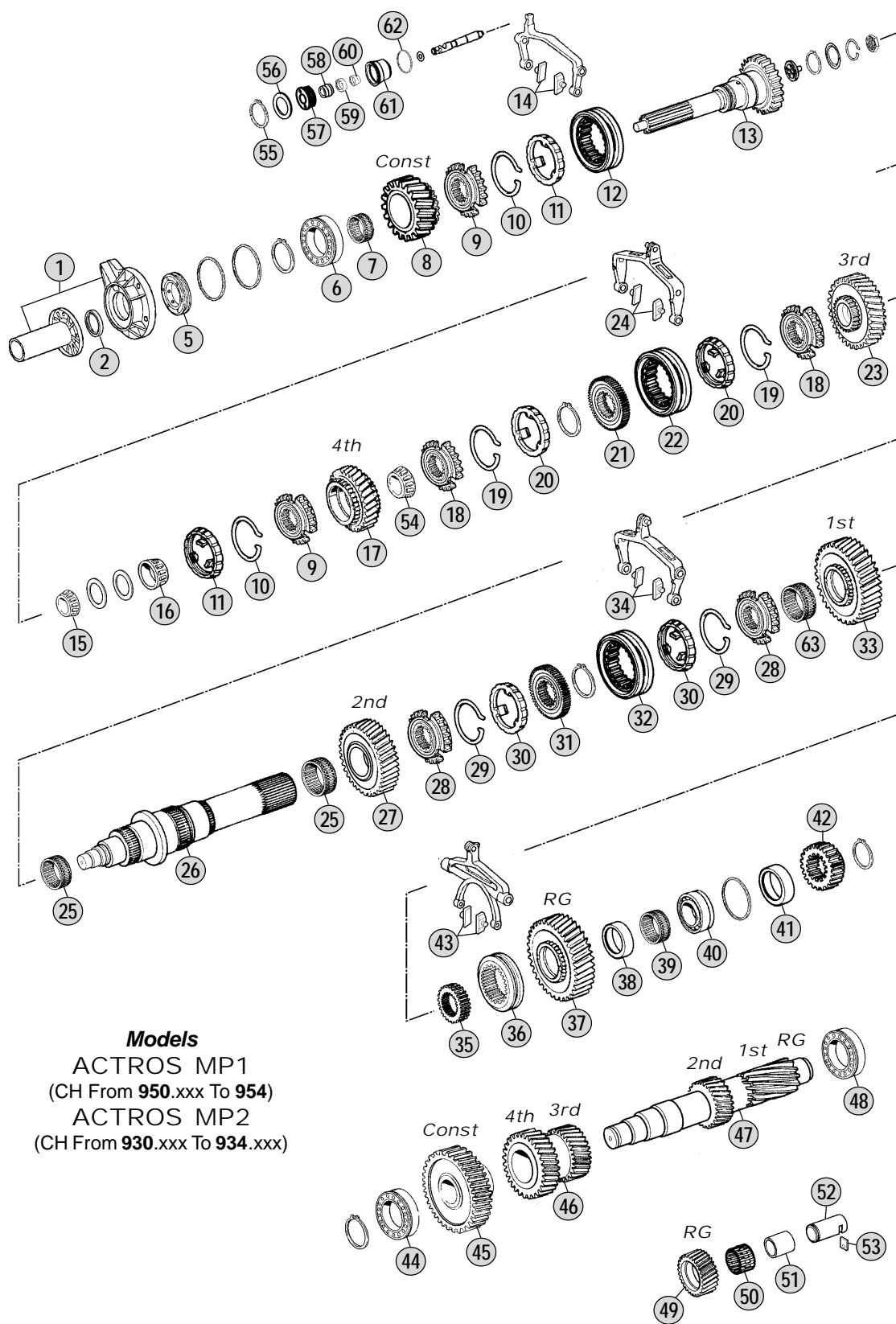
Table

0330

All original equipment manufacturers numbers, symbols, pictures, models and description used in this catalogue are for reference only, and it is not implied that any part listed is the product of these manufactures.
 Tutti i nostri particolari non sono originali ma con essi intercambiabili. I riferimenti originali, le figure, i modelli sono esposti a semplice titolo indicativo. La nostra produzione riporta il nostro marchio.

Adattabile a : **MERCEDES**
 Suitable To :

Modelli Cambio/ Gearbox Models
G231 (16 Speeds)



Models

ACTROS MP1
 (CH From 950.xxx To 954)
 ACTROS MP2
 (CH From 930.xxx To 934.xxx)

Models

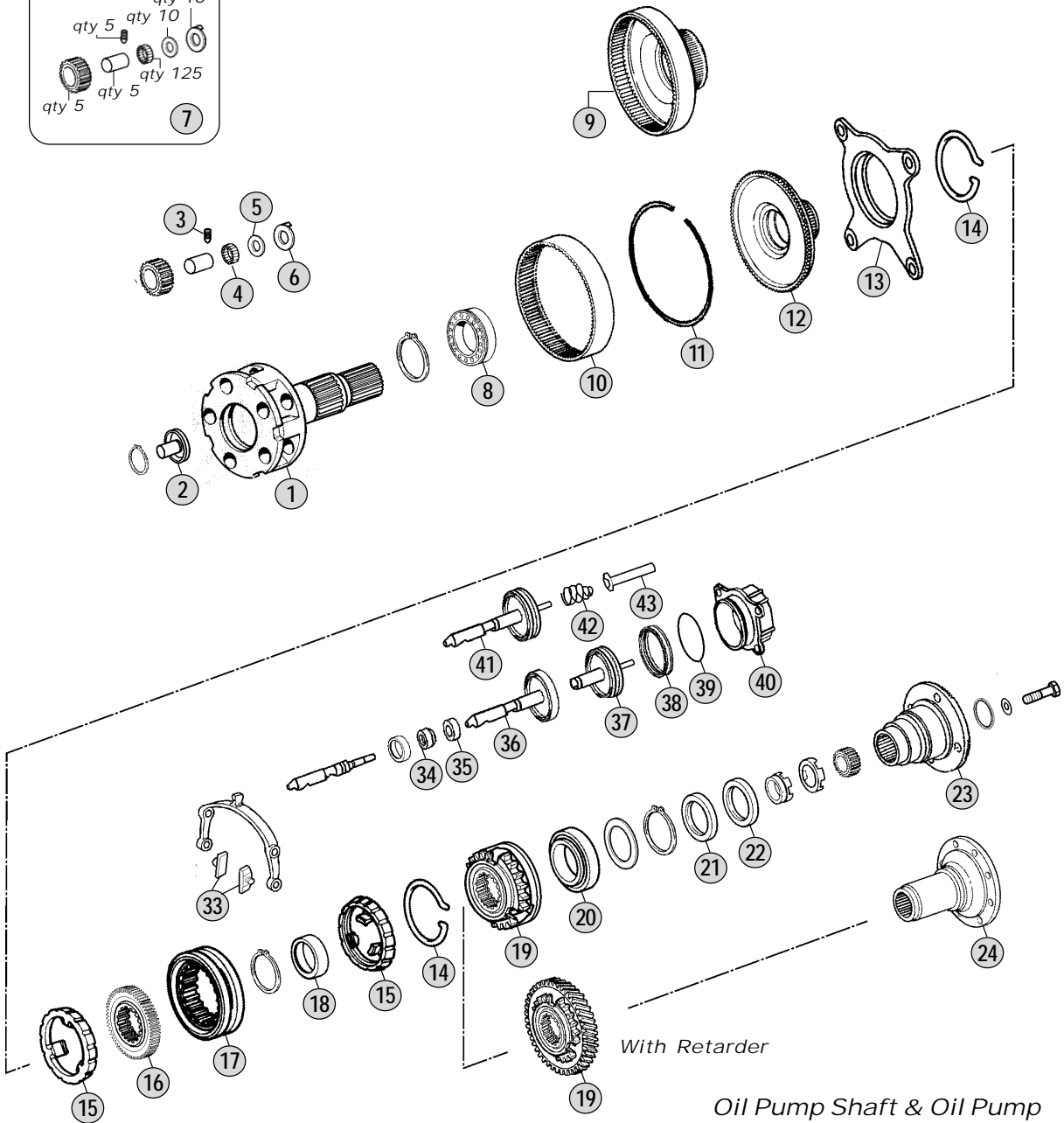
G231 - 16 715.513

All original equipment manufacturers' numbers, symbols and description used in this catalogue are for reference only, and it is not implied that any part listed is the product of these manufacturers.
 Tutti i nostri particolari non sono originali ma con essi intercambiabili. I riferimenti originali, le figure, i modelli sono esposti a semplice titolo indicativo. La nostra produzione riporta il nostro marchio.

Adattabile a : **MERCEDES**
Suitable To :

Kit

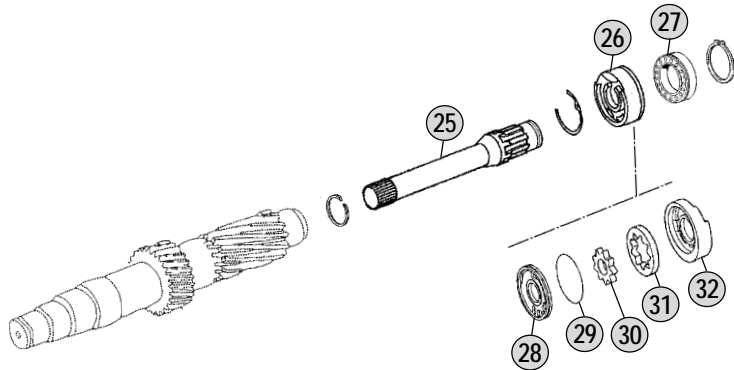
qty 5 qty 10
qty 5 qty 10
qty 5 qty 125



With Retarder

Oil Pump Shaft & Oil Pump

Models
ACTROS MP1
 (CH From 950.xxx To 954)
ACTROS MP2
 (CH From 930.xxx To 934.xxx)



Models

G231 - 16 715.513



All original equipment manufacturers' numbers, symbols and description used in this catalogue are for reference only, and it is not implied that any part listed is the product of these manufactures.
 Tutti i nostri particolari non sono originali ma con essi intercambiabili. I riferimenti originali, le figure, i modelli sono esposti a semplice titolo indicativo. La nostra produzione riporta il nostro marchio.

Fig.	CEI no.	Rif. MB	Description	Q.ty	Note	G231 - 16				
1	190.337	946 260 3661	Planetary Carrier (Empty)	1	Empty	●				
1	190.338	945 260 4661	Planetary Carrier (Complete)	1	Complete	●				
2	188.181	945 269 0834	Oil Tube	1		●				
3	187.609	000914 006109	Stud 6x14 mm	5		●				
4	171.057	000 981 4186	Needle 5x39,8	125		●				
5	169.801	389 262 0162	Spacer	10		●				
6	169.803	389 262 1462	Thrust Washer	10		●				
7	198.886	655 260 0197	Repair Kit	1		●				
8	130.540	008 981 1325	Bearing 90x130x14	1		●				
9	123.230	945 262 0108	Crown Gear 85 T D.269 mm	1	ALT-1 pc.Fig.10+Fig.11+Fig.12	●				
10	123.232	945 262 0208	Crown Gear 85 T D.269-H 70mm	1	ALT-1 pc.Fig.9 (Crown Assy)	●				
10	123.313	945 262 0808	Crown Gear 85 T D.271-H 70mm	1	ALT-1 pc.Fig.9 (Crown Assy)	●				
11	111.209	389 262 0773	Lock Ring	1		●				
12	150.144	389 262 1425	Carrier Hub 85 T	1	ALT_1 pc.Fig.9 (Crown Assy)	●				
13	198.879	389 260 2036	Synchronizer Flange	1	(A)	●				
13	298.054	947 260 3036	Synchronizer Flange	1	(B)	●				
14	111.206	389 262 0293	Elastic Ring	2		●				
15	119.160	389 262 0537	Synchronizer Ring	2	(A)	●				
15	119.250	389 262 3337	Synchronizer Ring	2	(A) LONG LIFE	●				
15	119.224	947 260 0945	Synchronizer Ring	2	(B)	●				
15	119.298	CEI 119298	Synchronizer Ring	2	(B) LONG LIFE	●				
16	155.204	389 262 2035	Synchronizer Hub	1		●				
17	154.217	945 262 6623	Sliding Sleeve	1	(A)	●				
17	154.433	M945 262 6623	Sliding Sleeve	1	(A) LONG LIFE	●				
17	154.378	945 262 6923	Sliding Sleeve	1	(B)	●				
17	154.458	M945 262 6923	Sliding Sleeve	1	(B) LONG LIFE	●				
18	117.322	389 262 0251	Bush	1		●				
19	109.337	389 262 9234	Synchronizer Cone	1	(A)	●				
19	109.408	945 262 3834	Synchronizer Cone	1	(B)	●				
19	109.342	389 264 0730	Synchronizer Cone W/RET.63 T	1	(A) With Retarder	●				
19	109.793	945 264 0520	Synchronizer Cone W/RET.63 T	1	(B) With Retarder	●				
19	196.369	930 264 0320	Gear W/RET. 64 T	1	(B) With Retarder	●				
20	130.564	008 981 3025	Bearing 80x150x28	1		●				
20	130.563	007 981 8201	Bearing	1	For Model with TELMA Retarder	●				
21	139.551	013 997 7247	Oil Seal 95x115x13	1		●				
21	139.552	013 997 7347	Oil Seal 95x115x13	1	For Model with VOITH Retarder	●				
21	139.557	015 997 6447	Oil Seal	1	For Model with TELMA Retarder	●				
22	139.552	013 997 7347	Oil Seal 95x115x13	1		●				
22	139.558	017 997 1247	Oil Seal	1	For Model with TELMA Retarder	●				
23	197.083	945 262 0045	Output Flange D.180 mm	1		●				
23	197.173	930 262 0045	Output Flange D.180 mm	1		●				
23	197.174	930 262 0145	Output Flange D.200 mm	1		●				
23	197.081	389 262 0545	Output Flange D.180 mm	1	For Model with VOITH Retarde	●				
24	197.085	387 264 1945	Output Flange D.198 mm	1	For Model with TELMA Retarder	●				
24	197.207	387 264 2045	Output Flange D.198 mm	1	For Model with TELMA Retarder	●				

Notes

- (A) Up to gearbox 366886
(B) From gearbox 366887

Date

04 / 2011

Table

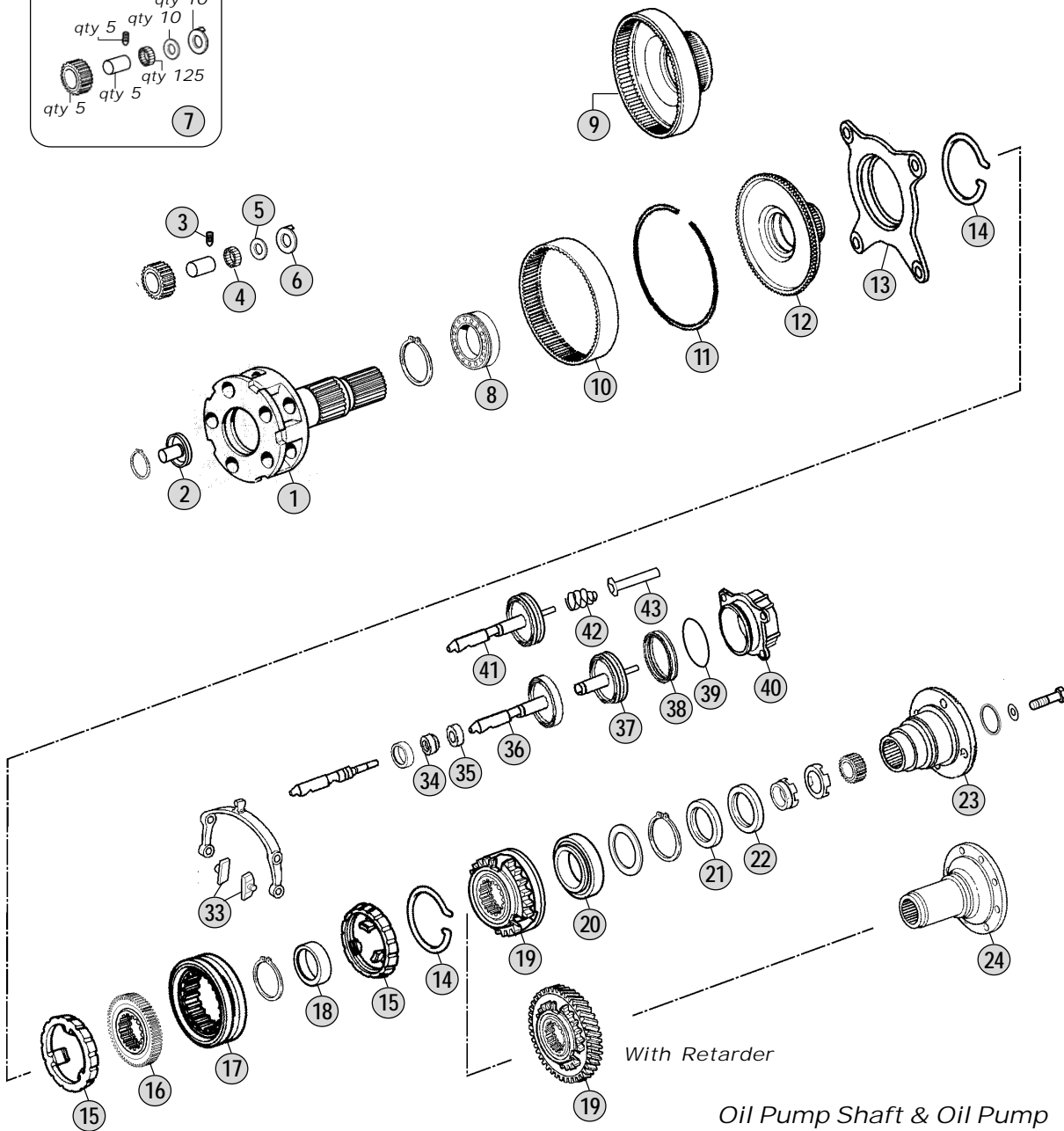
0335

All original equipment manufacturers numbers, symbols, pictures, models and description used in this catalogue are for reference only, and it is not implied that any part listed is the product of these manufactures.
Tutti i nostri particolari non sono originali ma con essi intercambiabili. I riferimenti originali, le figure, i modelli sono esposti a semplice titolo indicativo. La nostra produzione riporta il nostro marchio.

Adattabile a : **MERCEDES**
Suitable To :

Kit

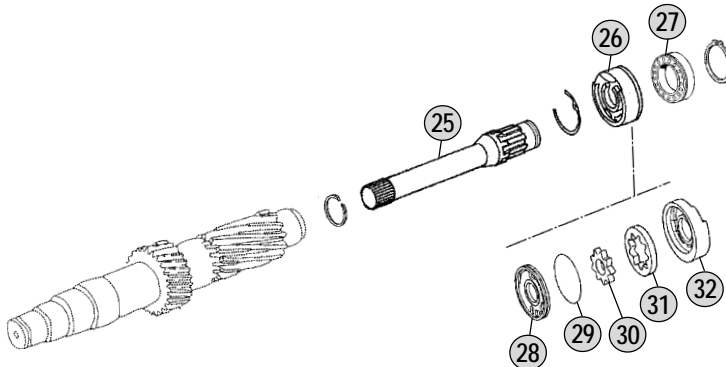
qty 5 qty 10
qty 5 qty 5 qty 125



With Retarder

Oil Pump Shaft & Oil Pump

Models
ACTROS MP1
(CH From 950.xxx To 954)
ACTROS MP2
(CH From 930.xxx To 934.xxx)



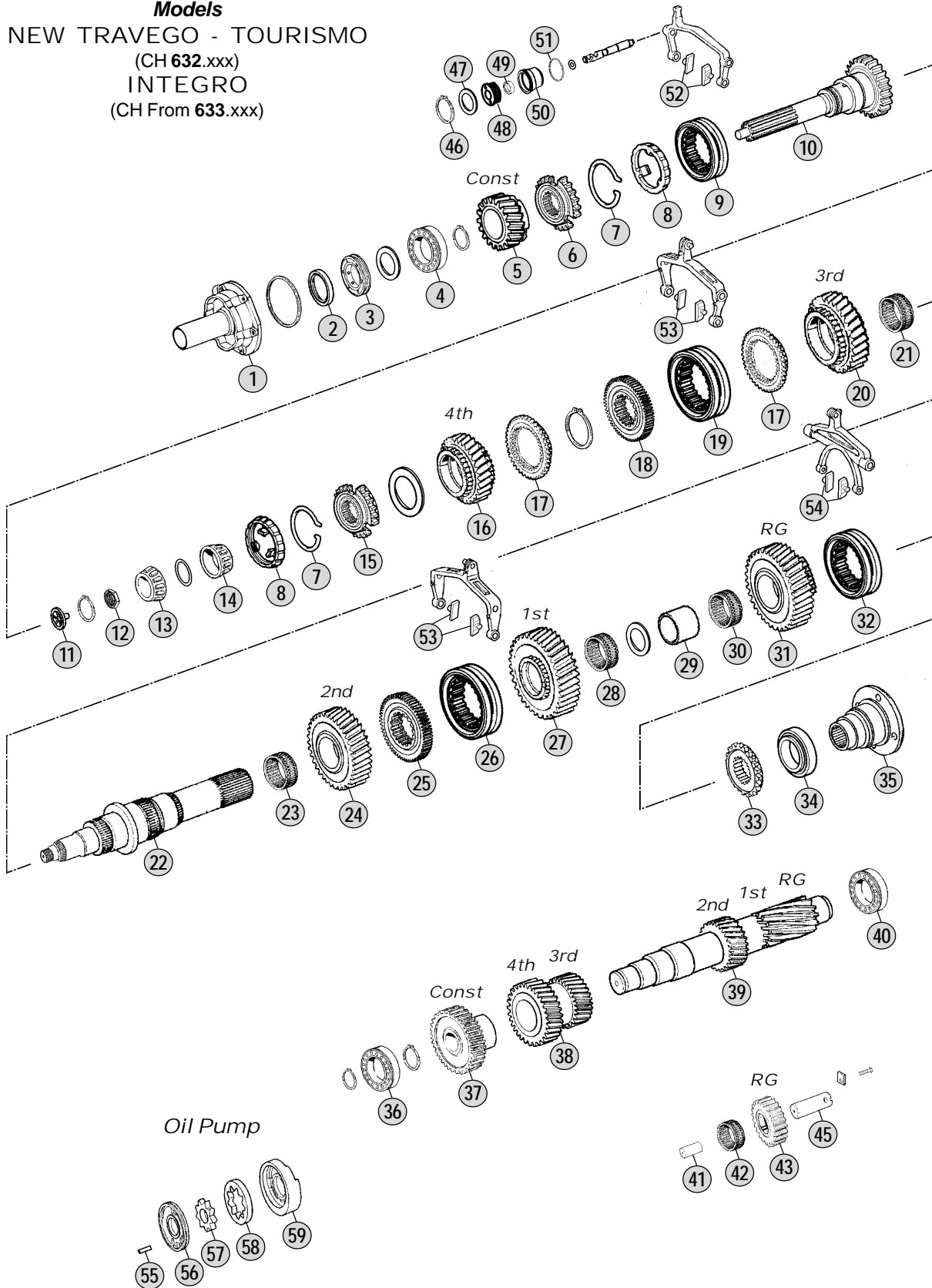
All original equipment manufacturers' numbers, symbols and description used in this catalogue are for reference only, and it is not implied that any part listed is the product of these manufactures. Tutti i nostri particolari non sono originali ma con essi intercambiabili. I riferimenti originali, le figure, i modelli sono esposti a semplice titolo indicativo. La nostra produzione riporta il nostro marchio.

Models

G231 - 16 715.513

Adattabile a : **MERCEDES**
Suitable To :

Models
NEW TRAVEGO - TOURISMO
(CH 632.xxx)
INTEGRO
(CH From 633.xxx)



All original equipment manufacturers' numbers, symbols and description used in this catalogue are for reference only, and it is not implied that any part listed is the product of these manufactures. Tutti i nostri particolari non sono originali ma con essi intercambiabili. I riferimenti originali, le figure, i modelli sono esposti a semplice titolo indicativo. La nostra produzione riporta il nostro marchio.

Models

GO240 - 6 / 6,5-0,8 715.160



Fig.	CEI no.	Rif. MB	Description	Q.ty	Note	GO240-66-5-0,8				
1	135.202	656 261 0018	Front Cover	1		●				
2	139.556	019 997 0547	Oil Seal 56x72x8	1		●				
3	139.555	389 261 0865	Diaphragm	1		●				
4	130.550	011 981 1305	Bearing 75x140x34,3	1		●				
5	146.711	656 262 0310	Constant Gear	1		●				
6	109.789	930 262 0034	Synchronizer Cone	1		●				
7	111.205	387 262 0893	Elastic Ring	2		●				
8	119.237	946 262 6137	Synchronizer Ring	2		●				
8	119.299	CEI 119299	Synchronizer Ring	2	LONG LIFE	●				
9	154.388	945 262 6523	Sliding Sleeve	1		●				
9	154.460	M945 262 6523	Sliding Sleeve	1	LONG LIFE	●				
10	102.499	656 262 2582	Input Shaft	1		●				
11	139.749	976 269 0034	Oil Collector	1		●				
12	187.676	945 990 0250	Nut M30x1,5	1		●				
13	130.860	015 981 1705	Bearing	1		●				
14	130.561	015 981 7605	Bearing 50x85x41	1		●				
15	109.828	656 262 0034	Synchronizer Cone	1		●				
16	244.080	656 262 0910	Gear 4th Speed	1		●				
17	109.829	656 262 0134	Synchronizer Cone	2		●				
18	155.271	656 262 0135	Synchronizer Hub	1		●				
19	154.461	656 262 0023	Sliding Sleeve	1		●				
20	244.079	656 262 0117	Gear 3rd Speed	1		●				
21	137.191	019 981 9210	Needle Cage	1		●				
22	103.249	656 262 0605	Main Shaft	1		●				
23	137.358	022 981 8410	Needle Cage	1		●				
24	244.081	656 262 0112	Gear 2nd Speed	1		●				
25	155.272	656 262 0035	Synchronizer Hub	1		●				
26	154.461	656 262 0023	Sliding Sleeve	1		●				
27	244.082	656 262 0111	Gear 1st Speed	1		●				
28	137.359	022 981 8510	Needle Cage	1		●				
29	117.438	656 262 0050	Bush	1		●				
30	137.359	022 981 8510	Needle Cage	1		●				
31	147.276	656 262 0133	Reverse Gear	1		●				
32	154.223	389 262 1823	Sliding Sleeve	1		●				
33	157.626	389 262 4235	Synchronizer Hub	1		●				
34	130.581	012 981 3705	Bearing 65x140x13,5	1		●				
35	197.191	629 262 0045	Output Flange D.150 mm	1		●				
36	130.861	012 981 9605	Bearing	1		●				
37	146.712	656 263 0610	Constant Gear	1		●				
38	143.145	656 263 0410	Double Gear 3rd/4th Speed	1		●				
39	105.254	656 263 0102	Countershaft	1		●				
40	130.587	012 981 3605	Bearing 45x110x12	1		●				
41	117.435	389 263 0650	Bush	1		●				
42	137.225	015 981 4110	Needle Cage	1		●				
43	147.277	656 263 0131	Reverse Gear	1		●				

Notes

Date

04 / 2011

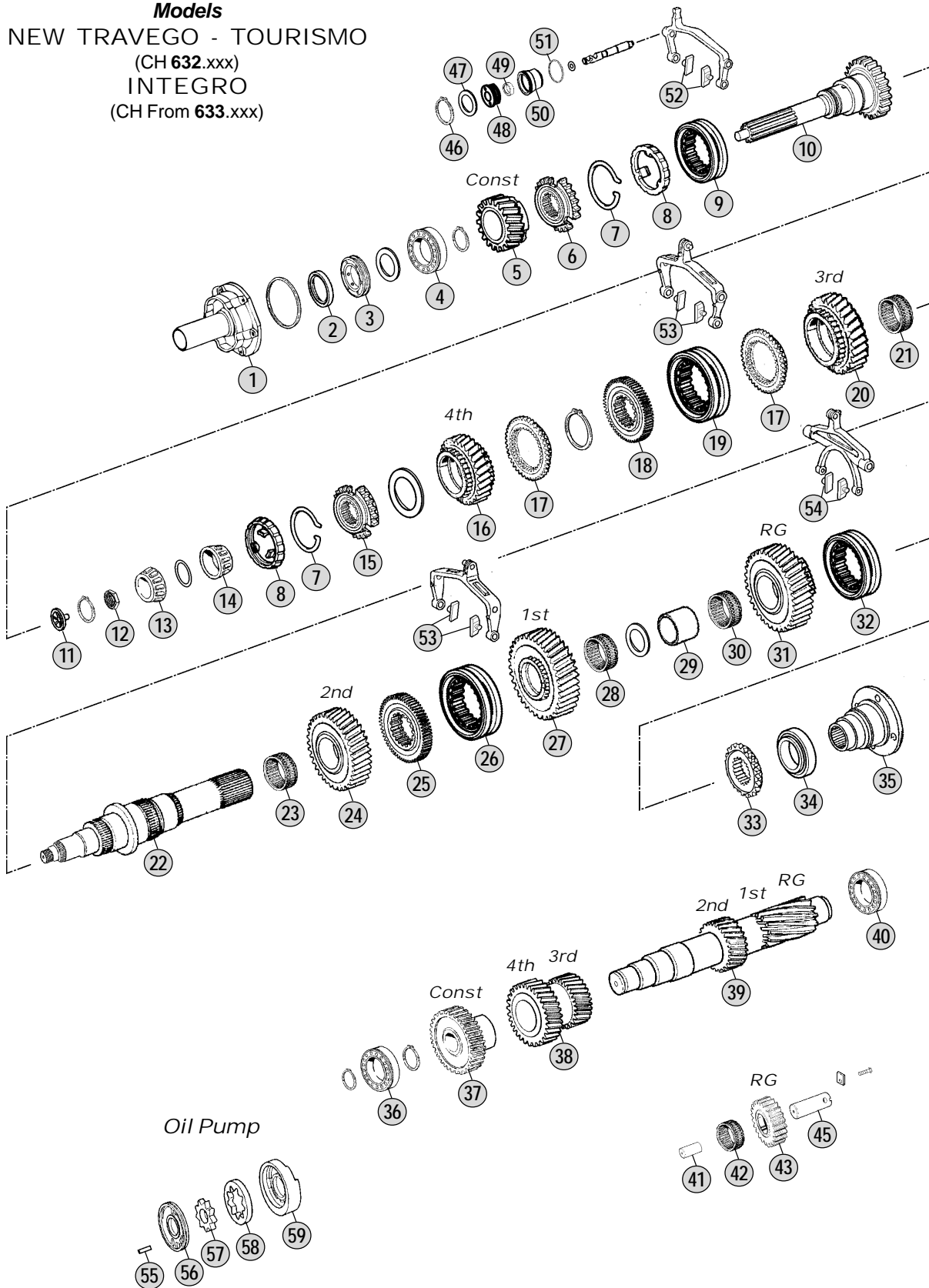
Table

0340

6 Speeds
GO240

Adattabile a : **MERCEDES**
Suitable To :

Models
NEW TRAVEGO - TOURISMO
(CH 632.xxx)
INTEGRO
(CH From 633.xxx)



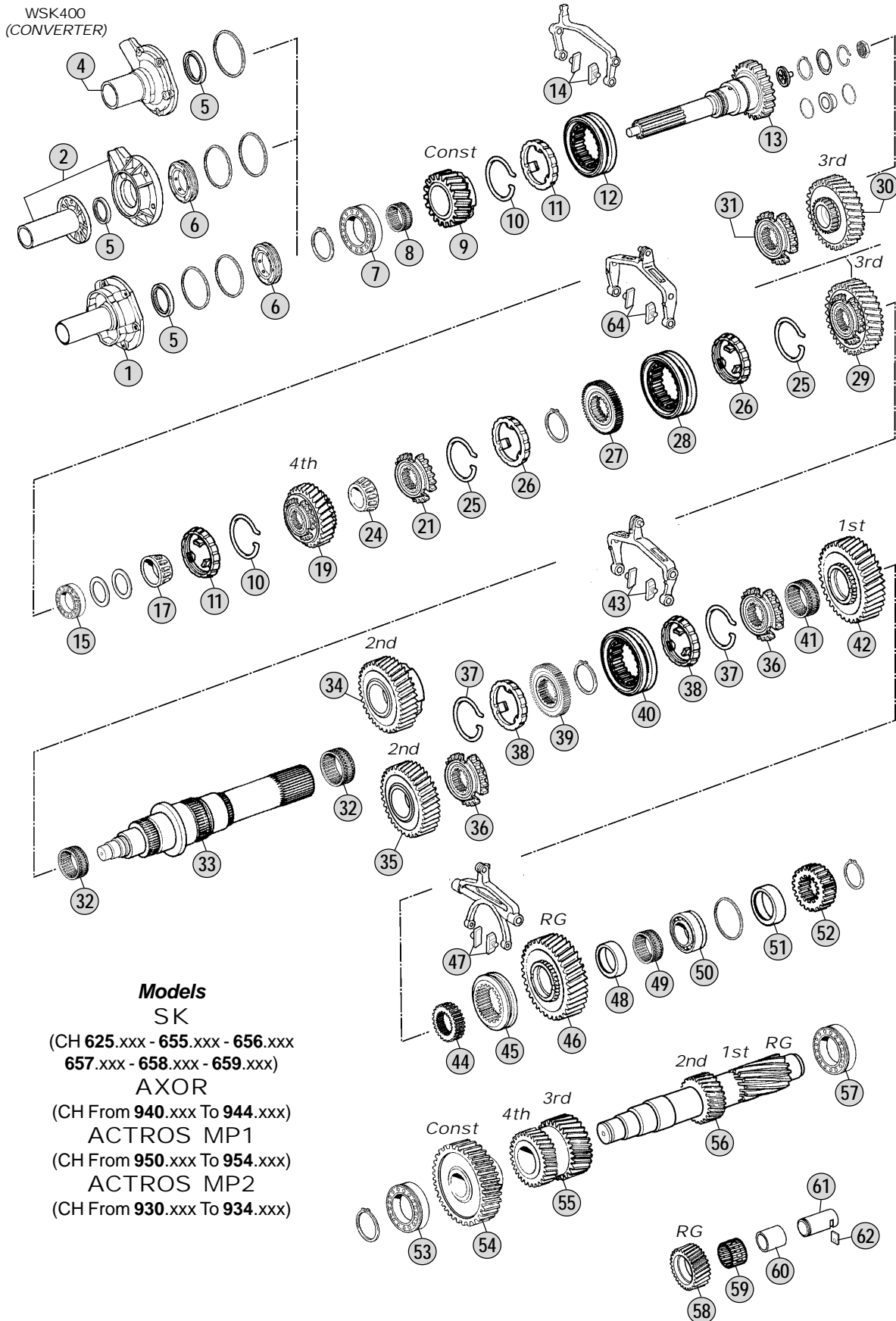
All original equipment manufacturers' numbers, symbols and description used in this catalogue are for reference only, and it is not implied that any part listed is the product of these manufactures. Tutti i nostri particolari non sono originali ma con essi intercambiabili. I riferimenti originali, le figure, i modelli sono esposti a semplice titolo indicativo. La nostra produzione riporta il nostro marchio.

Models

GO240 - 6 / 6,5-0,8 715.160

Adattabile a : **MERCEDES**
 Suitable To :

Modelli Cambio/ Gearbox Models
G240 (16 Speeds)



All original equipment manufacturers' numbers, symbols, pictures, models and description used in this catalogue are for reference only, and it is not implied that any part listed is the product of these manufactures.
 Tutti i nostri particolari non sono originali ma con essi intercambiabili. I riferimenti originali, le figure, i modelli sono esposti a semplice titolo indicativo. La nostra produzione riporta il nostro marchio.

Models

G240 - 16 / 11,7 - 0,69 **715.260(EPS)-261-400-410-411-520-521**

Fig.	CEI no.	Rif. MB	Description	Q.ty	Note	G240-16/11,7-0,69				
1	135.135	389 261 4518	Front Cover	1		●				
2	135.134	945 261 1118	Front Cover	1	Latest Models	●				
4	135.133	945 261 1218	Front Cover	1	With WSK400-Up to 6/99	●				
4	135.132	945 261 2818	Front Cover	1	With WSK400-From 6/99	●				
5	139.556	019 997 0547	Oil Seal 56x72x8	1		●				
6	139.555	389 261 0865	Diaphragm	1		●				
7	130.550	011 981 1305	Bearing 75x140x34,3	1		●				
8	137.188	016 981 0010	Needle Cage K89x97x40ZW	1		●				
9	145.584	945 262 4110	Constant Gear 32 T	1	(C)	●				
9	145.971	945 262 7517	Constant Gear 32 T	1	(D)	●				
10	111.204	387 262 1093	Elastic Ring	2		●				
11	119.112	389 262 0637	Synchronizer Ring	2	(C)	●				
11	119.226	389 262 3137	Synchronizer Ring	2	(C) LONG LIFE	●				
11	119.271	947 260 0545	Synchronizer Ring	2	(D)	●				
11	119.300	CEI 119300	Synchronizer Ring	2	(D) LONG LIFE	●				
12	154.221	945 262 0323	Sliding Sleeve	1	(C)	●				
12	154.408	M945 262 0323	Sliding Sleeve	1	(C) LONG LIFE	●				
12	154.399	945 262 6823	Sliding Sleeve	1	(D)	●				
12	154.457	M945 262 6823	Sliding Sleeve	1	(D) LONG LIFE	●				
13	102.284	389 262 6601	Input Shaft 60 T	1	715.260-261	●				
13	102.274	389 262 8301	Input Shaft 60 T	1	715.520-521	●				
13	102.273	945 262 4403	Input Shaft 60 T	1	With WSK400/714.520-521	●				
14	141.165	947 265 0349	Slide Fork	2	BRASS	●				
14	141.221	M947 265 0349	Slide Fork	2	IRON	●				
15	130.558	015 981 1605	Bearing 39,65x82,3x41	1		●				
17	130.560	017 981 5105	Needle Bearing 50x41,3	1		●				
19	145.587	389 262 3810	Gear 4th Speed 36 T	1	(A)(**)	●				
19	145.588	389 262 7910	Gear 4th Speed 36 T	1	(BC)	●				
19	145.970	945 262 5617	Gear 4th Speed 36 T	1	(D)	●				
21	109.189	945 262 0534	Synchronizer Cone	1	(BC)	●				
21	109.414	945 262 5434	Synchronizer Cone	1	(D)	●				
24	130.559	015 981 6205	Bearing 55x96,3x29,8	1		●				
25	111.204	387 262 1093	Elastic Ring	2	(A)	●				
25	111.205	387 262 0893	Elastic Ring	2	(BCD)	●				
26	119.112	389 262 0637	Synchronizer Ring	2	(A)	●				
26	119.226	389 262 3137	Synchronizer Ring	2	(A) LONG LIFE	●				
26	119.161	389 262 0737	Synchronizer Ring	2	(BC)	●				
26	119.225	389 262 3237	Synchronizer Ring	2	(BC) LONG LIFE	●				
26	119.237	946 262 6137	Synchronizer Ring	2	(D)	●				
26	119.299	CEI 119299	Synchronizer Ring	2	(D) LONG LIFE	●				
27	157.555	389 262 2835	Synchronizer Hub	1	(A)	●				
27	157.556	389 262 4735	Synchronizer Hub	1	(BCD)	●				
28	154.221	945 262 0323	Sliding Sleeve	1	(A)	●				
28	154.408	M945 262 0323	Sliding Sleeve	1	(A) LONG LIFE	●				
28	154.220	945 262 0423	Sliding Sleeve	1	(BC)	●				

Notes

(A) Up to gearbox 433517
 (C) Up to gearbox 502734
 (**) This Gear is assy with flanges (Fig 21)

(B) From gearbox 433518
 (D) From gearbox 502735

Date

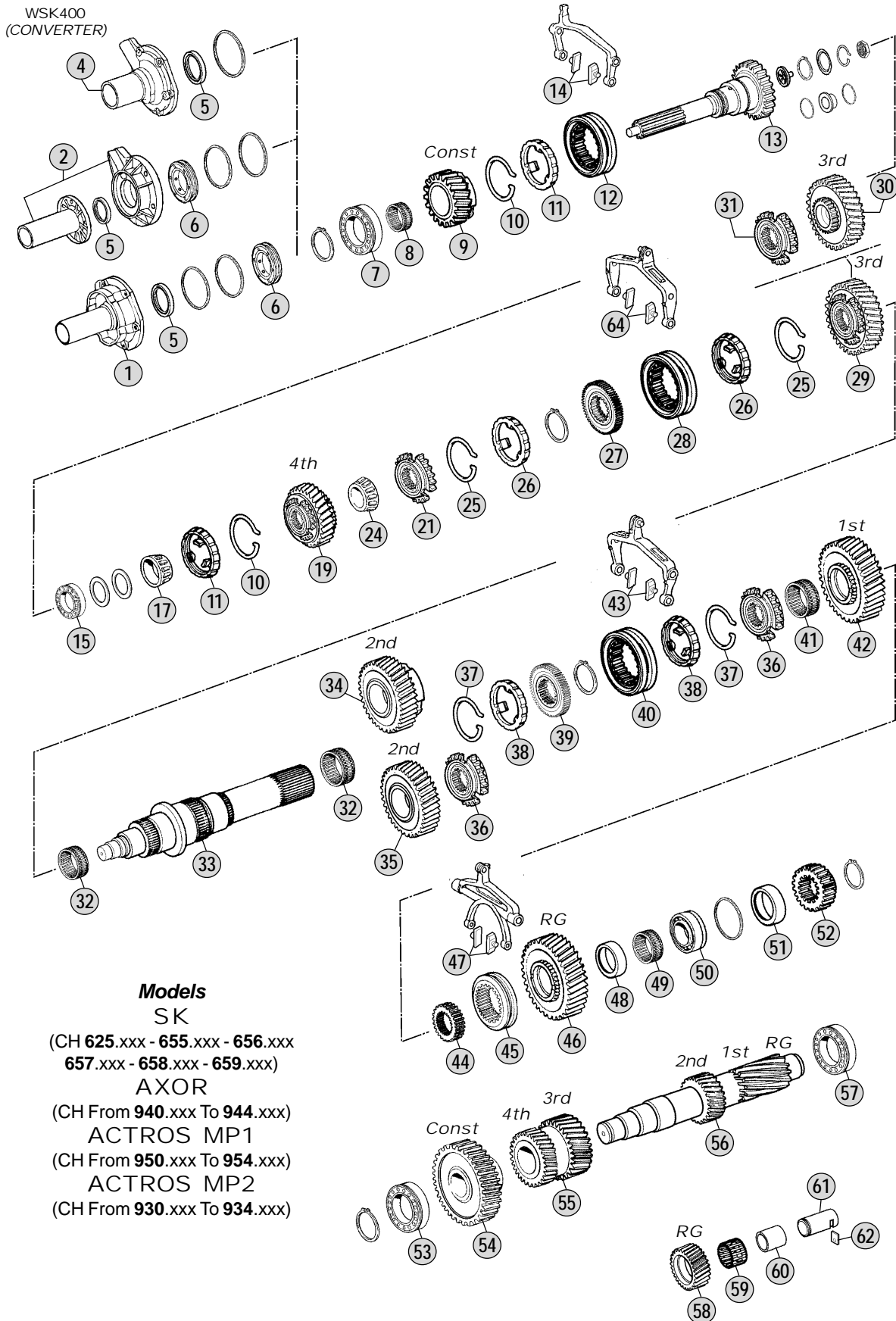
02 / 2011

Table

0350

Adattabile a : **MERCEDES**
 Suitable To :

Modelli Cambio/ Gearbox Models
G240 (16 Speeds)



All original equipment manufacturers' numbers, symbols, pictures, models and description used in this catalogue are for reference only, and it is not implied that any part listed is the product of these manufactures.
 Tutti i nostri particolari non sono originali ma con essi intercambiabili. I riferimenti originali, le figure, i modelli sono esposti a semplice titolo indicativo. La nostra produzione riporta il nostro marchio.

Models

G240 - 16 / 11,7 - 0,69 **715.260(EPS)-261-400-410-411-520-521**

Fig.	CEI no.	Rif. MB	Description	Q.ty	Note	G240-16/11,7-0,69				
28	154.409	M945 262 0423	Sliding Sleeve	1	(BC) LONG LIFE	●				
28	154.388	945 262 6523	Sliding Sleeve	1	(D)	●				
28	154.460	M945 262 6523	Sliding Sleeve	1	(D) LONG LIFE	●				
29	145.590	389 260 5719	Gear 3rd Speed 29 T	1	(A)	●				
30	145.592	389 262 3713	Gear 3rd Speed 29 T	1	(BCD)	●				
31	109.189	945 262 0534	Synchronizer Cone	1	(BC)	●				
31	109.414	945 262 5434	Synchronizer Cone	1	(D)	●				
32	137.177	018 981 6610	Needle Cage K85x93x53ZWD	2		●				
33	103.150	389 262 2405	Main Shaft	1	(A)	●				
33	103.149	945 262 3605	Main Shaft	1	(BCD) Old Bearing	●				
33	103.188	945 262 4505	Main Shaft	1	(BCD) New Bearing	●				
34	145.614	389 260 4919	Gear 2nd Speed 39 T	1	Old Repl.by 1pc.Fig.35+1pc.Fig.36	●				
35	145.615	945 262 3112	Gear 2nd Speed 39 T	1		●				
36	109.187	945 262 0434	Synchronizer Cone	2	(C)	●				
36	109.415	945 262 5534	Synchronizer Cone	2	(D)	●				
37	111.205	387 262 0893	Elastic Ring	2		●				
38	119.161	389 262 0737	Synchronizer Ring	2	(C)	●				
38	119.225	389 262 3237	Synchronizer Ring	2	(C) LONG LIFE	●				
38	119.237	946 262 6137	Synchronizer Ring	2	(D)	●				
38	119.299	CEI 119299	Synchronizer Ring	2	(D) LONG LIFE	●				
39	157.557	389 262 2535	Synchronizer Hub	1		●				
40	154.220	945 262 0423	Sliding Sleeve	1	(C)	●				
40	154.409	M945 262 0423	Sliding Sleeve	1	(C) LONG LIFE	●				
40	154.388	945 262 6523	Sliding Sleeve	1	(D)	●				
40	154.460	M945 262 6523	Sliding Sleeve	1	(D) LONG LIFE	●				
41	137.182	008 981 8310	Needle Cage 75x83x55W	1	Old Type with 103.149/103.150	●				
41	137.251	018 981 8110	Needle Cage 75x83x48	1	New Type with 103.188	●				
42	145.616	389 262 2711	Gear 1st Speed 44 T	1		●				
43	141.165	947 265 0349	Slide Fork	2	BRASS	●				
43	141.221	M947 265 0349	Slide Fork	2	IRON	●				
44	157.603	389 262 0135	Synchronizer Hub	1	With 154.224	●				
44	157.606	389 262 3935	Synchronizer Hub	1	With 154.223 / Old Type	●				
44	155.232	945 262 3835	Synchronizer Hub	1	With 154.223 / New Type	●				
45	154.224	389 262 1723	Sliding Sleeve	1		●				
45	154.223	389 262 1823	Sliding Sleeve	1		●				
46	147.161	945 262 3233	Reverse Gear 40 T	1	With 154.224	●				
46	145.617	389 262 1733	Reverse Gear 40 T	1	With 154.224	●				
46	147.163	945 262 3333	Reverse Gear 40 T	1	With 154.223 / Old Type	●				
46	147.245	945 262 4433	Reverse Gear 40 T	1	With 154.223 / New Type	●				
47	141.160	945 265 0149	Slide Fork	2		●				
48	117.327	389 262 2550	Bush	1		●				
49	137.187	009 981 1510	Needle Cage K78x86x35ZW	1		●				
50	130.552	014 981 6105	Bearing 60x130x30	1		●				
51	117.325	389 262 3754	Spacer Th.18(74x60) mm	1		●				
52	157.605	945 262 0909	Sun Gear 25 T	1		●				

Notes

(A) Up to gearbox 433517
 (C) Up to gearbox 502734
 (**) This Gear is assy with flanges (Fig 21)

(B) From gearbox 433518
 (D) From gearbox 502735

Date

02 / 2011

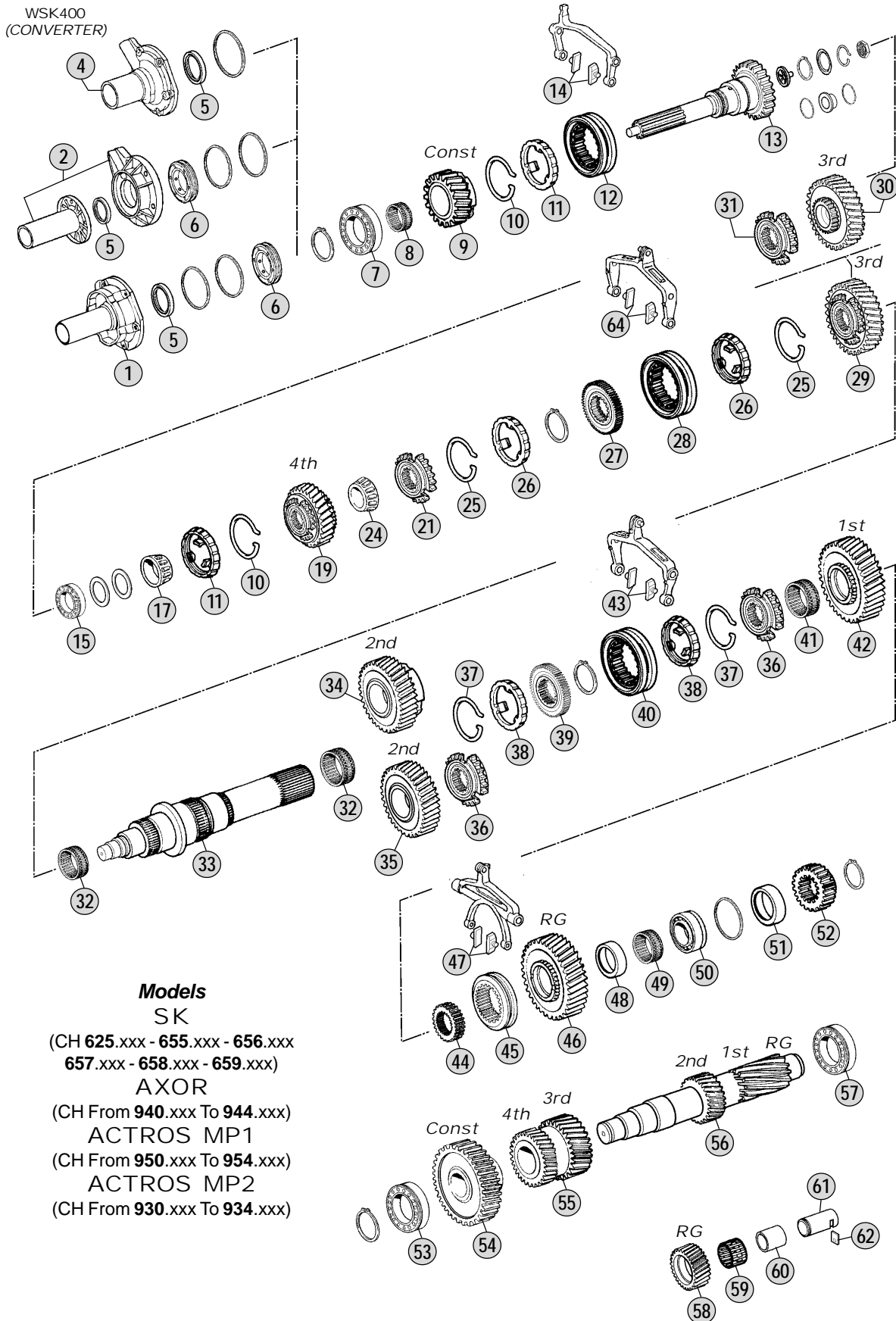
Table

0350

All original equipment manufacturers numbers, symbols, pictures, models and description used in this catalogue are for reference only, and it is not implied that any part listed is the product of these manufactures.
 Tutti i nostri particolari non sono originali ma con essi intercambiabili. I riferimenti originali, le figure, i modelli sono esposti a semplice titolo indicativo. La nostra produzione riporta il nostro marchio.

Adattabile a : **MERCEDES**
 Suitable To :

Modelli Cambio/ Gearbox Models
G240 (16 Speeds)

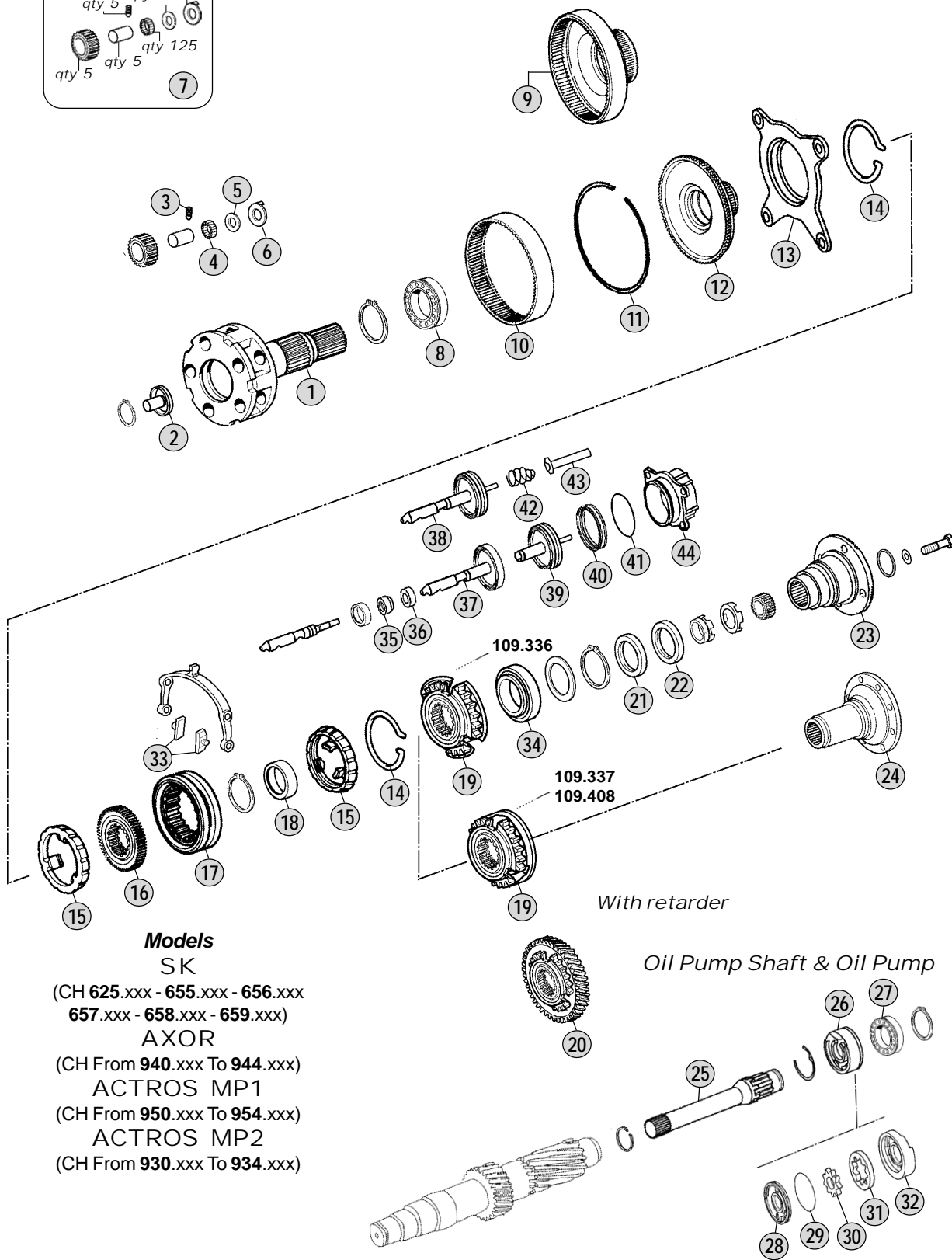
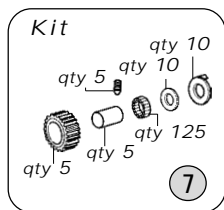


All original equipment manufacturers' numbers, symbols, pictures, models and description used in this catalogue are for reference only, and it is not implied that any part listed is the product of these manufactures.
 Tutti i nostri particolari non sono originali ma con essi intercambiabili. I riferimenti originali, le figure, i modelli sono esposti a semplice titolo indicativo. La nostra produzione riporta il nostro marchio.

Models

G240 - 16 / 11,7 - 0,69 **715.260(EPS)-261-400-410-411-520-521**

Adattabile a : **MERCEDES**
Suitable To :



Models
SK

(CH 625.xxx - 655.xxx - 656.xxx
657.xxx - 658.xxx - 659.xxx)

AXOR

(CH From 940.xxx To 944.xxx)

ACTROS MP1

(CH From 950.xxx To 954.xxx)

ACTROS MP2

(CH From 930.xxx To 934.xxx)

Models

G240 - 16 / 11,7 - 0,69 **715.260(EPS)-261-400-410-411-520-521**

All original equipment manufacturers' numbers, symbols, pictures, models and description used in this catalogue are for reference only, and it is not implied that any part listed is the product of these manufactures. Tutti i nostri particolari non sono originali ma con essi intercambiabili. I riferimenti originali, le figure, i modelli sono esposti a semplice titolo indicativo. La nostra produzione riporta il nostro marchio.

All original equipment manufacturers numbers, symbols, pictures, models and description used in this catalogue are for reference only, and it is not implied that any part listed is the product of these manufactures.
Tutti i nostri particolari non sono originali ma con essi intercambiabili. I riferimenti originali, le figure, i modelli sono esposti a semplice titolo indicativo. La nostra produzione riporta il nostro marchio.

Fig.	CEI no.	Rif. MB	Description	Q.ty	Note				
1	190.441	389 260 8661	Planetary Carrier (Empty)	1	(1)	Empty-Old Type	●		
1	190.337	946 260 3661	Planetary Carrier (Empty)	1		Empty	●		
1	190.338	945 260 4661	Planetary Carrier (Complete)	1		Complete	●		
2	188.181	945 269 0834	Oil Tube	1			●		
3	187.609	000914 006109	Stud 6x14 mm	5			●		
4	171.057	000 981 4186	Needle 5x39,8	125			●		
5	169.801	389 262 0162	Spacer	10			●		
6	169.803	389 262 1462	Thrust Washer	10			●		
7	198.886	655 260 0197	Repair Kit	1			●		
8	130.540	008 981 1325	Bearing 90x130x14	1			●		
9	123.230	945 262 0108	Crown Gear 85 T D.269 mm	1	ALT-1 pc.Fig.10+Fig.11+Fig.12		●		
10	123.295	389 262 0708	Crown Gear 85 T D.269-H 64mm	1	ALT-1 pc.Fig.9 (Crown Assy)		●		
10	123.232	945 262 0208	Crown Gear 85 T D.269-H 70mm	1	ALT-1 pc.Fig.9 (Crown Assy)		●		
10	123.313	945 262 0808	Crown Gear 85 T D.271-H 70mm	1	ALT-1 pc.Fig.9 (Crown Assy)		●		
11	111.209	389 262 0773	Lock Ring	1			●		
12	150.144	389 262 1425	Carrier Hub 85 T	1	ALT-1 pc.Fig.9 (Crown Assy)		●		
13	198.879	389 260 2036	Synchronizer Flange	1	(A)		●		
13	298.054	947 260 3036	Synchronizer Flange	1	(B)		●		
14	111.206	389 262 0293	Elastic Ring	2			●		
15	119.160	389 262 0537	Synchronizer Ring	2	(A)		●		
15	119.250	389 262 3337	Synchronizer Ring	2	(A)	LONG LIFE	●		
15	119.224	947 260 0945	Synchronizer Ring	2	(B)		●		
15	119.298	CEI 119298	Synchronizer Ring	2	(B)	LONG LIFE	●		
16	155.204	389 262 2035	Synchronizer Hub	1			●		
17	154.217	945 262 6623	Sliding Sleeve	1	(A)		●		
17	154.433	M945 262 6623	Sliding Sleeve	1	(A)	LONG LIFE	●		
17	154.378	945 262 6923	Sliding Sleeve	1	(B)		●		
17	154.458	M945 262 6923	Sliding Sleeve	1	(B)	LONG LIFE	●		
18	117.322	389 262 0251	Bush	1			●		
19	109.336	389 262 4434	Synchronizer Cone GP	1	(A)		●		
19	109.337	389 262 9234	Synchronizer Cone	1	(A)		●		
19	109.408	945 262 3834	Synchronizer Cone	1	(B)		●		
20	109.342	389 264 0730	Synchronizer Cone W/RET.63 T	1	(A)	With Retarder	●		
20	109.830	930 264 0220	Synchronizer Cone W/RET.	1	(A)	With Retarder	●		
20	109.341	945 264 0420	Synchronizer Cone W/RET.59 T	1	(B)	With Retarder	●		
20	109.793	945 264 0520	Synchronizer Cone W/RET.63 T	1	(B)	With Retarder	●		
20	109.831	945 264 0620	Synchronizer Cone W/RET.59 T	1	(B)	With Retarder	●		
20	196.370	930 264 0420	Gear W/RET. 59 T	1	(B)	With Retarder	●		
21	139.551	013 997 7247	Oil Seal 95x115x13	1			●		
21	139.552	013 997 7347	Oil Seal 95x115x13	1		For Model with VOITH Retarder	●		
21	139.557	015 997 6447	Oil Seal	1		For Model with TELMA Retarder	●		
22	139.552	013 997 7347	Oil Seal 95x115x13	1			●		
22	139.558	017 997 1247	Oil Seal	1		For Model with TELMA Retarder	●		
23	197.083	945 262 0045	Output Flange D.180 mm	1			●		
23	197.173	930 262 0045	Output Flange D.180 mm	1			●		

Notes

- (1) Old Type Planet carrier uses old bearing type.
The old type is replaced by : 1 pc 190.337 + 1 pc 130.564
(A) Up to gearbox 36686
(B) From gearbox 36687

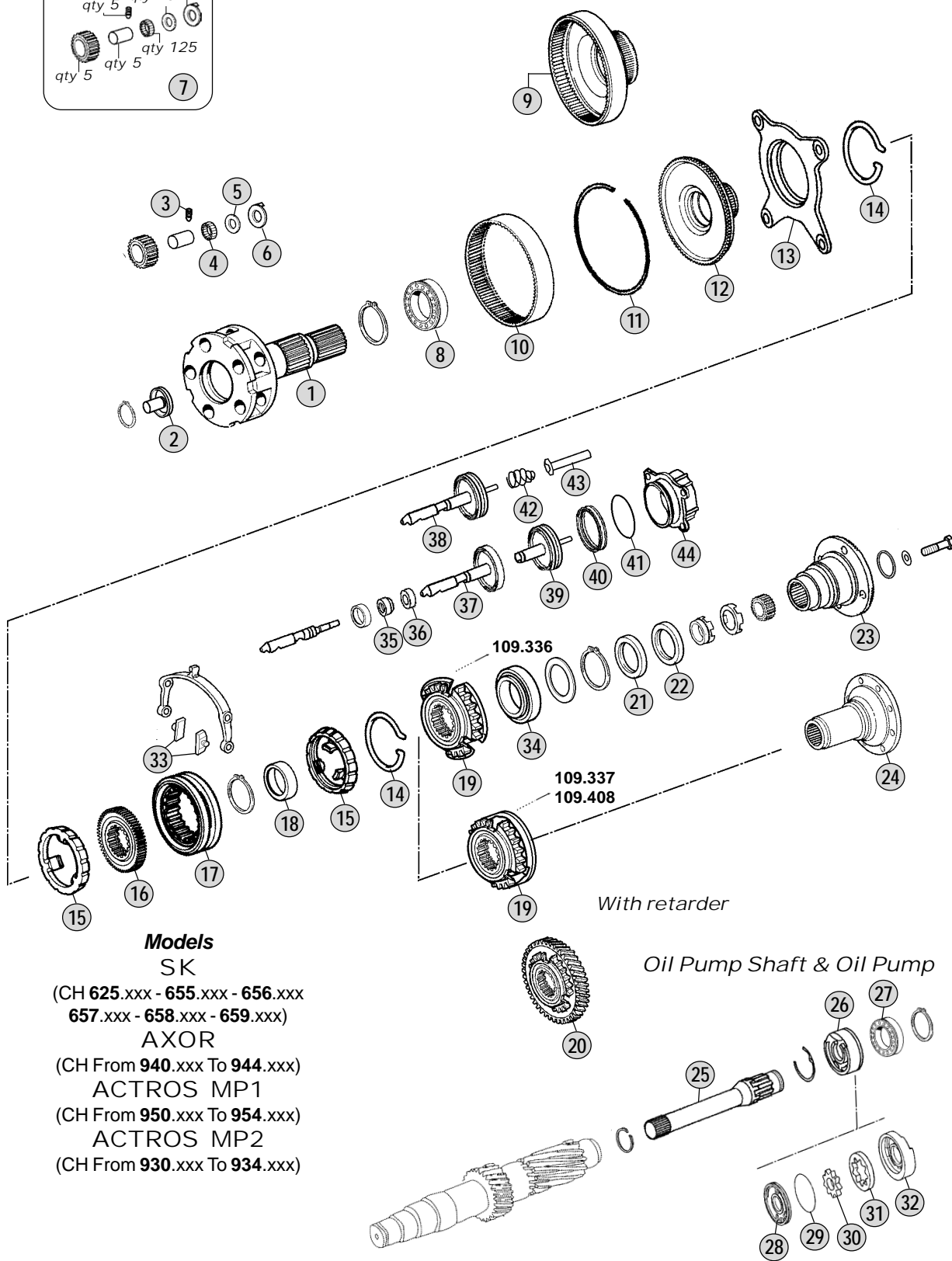
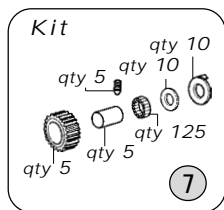
Date

04 / 2011

Table

0355

Adattabile a : **MERCEDES**
Suitable To :



Models
SK

(CH 625.xxx - 655.xxx - 656.xxx
657.xxx - 658.xxx - 659.xxx)

AXOR

(CH From 940.xxx To 944.xxx)

ACTROS MP1

(CH From 950.xxx To 954.xxx)

ACTROS MP2

(CH From 930.xxx To 934.xxx)

Models

G240 - 16 / 11,7 - 0,69 **715.260(EPS)-261-400-410-411-520-521**

All original equipment manufacturers' numbers, symbols, pictures, models and description used in this catalogue are for reference only, and it is not implied that any part listed is the product of these manufactures. Tutti i nostri particolari non sono originali ma con essi intercambiabili. I riferimenti originali, le figure, i modelli sono esposti a semplice titolo indicativo. La nostra produzione riporta il nostro marchio.

Fig.	CEI no.	Rif. MB	Description	Q.ty	Note	G240-16/11,7-0,69				
23	197.209	930 262 0245	Output Flange D.180 mm	1		●				
23	197.082	389 262 0645	Output Flange D.200 mm	1		●				
23	197.174	930 262 0145	Output Flange D.200 mm	1		●				
23	197.081	389 262 0545	Output Flange D.180 mm	1	For Model with VOITH Retarder	●				
23	197.080	389 262 0945	Output Flange D.200 mm	1	For Model with VOITH Retarder	●				
24	197.209	930 262 0245	Output Flange D.180 mm	1	For Model with TELMA Retarder	●				
24	197.085	387 264 1945	Output Flange D.198 mm	1	For Model with TELMA Retarder	●				
24	197.207	387 264 2045	Output Flange D.198 mm	1	For Model with TELMA Retarder	●				
24	197.084	945 262 0445	Output Flange D.200 mm	1	For Model with TELMA Retarder	●				
24	197.208	945 262 0545	Output Flange D.200 mm	1	For Model with TELMA Retarder	●				
25	101.123	389 269 1210	Oil Pump Shaft	1		●				
25	101.169	947 269 1110	Oil Pump Shaft	1		●				
25	101.168	947 269 1010	Oil Pump Shaft	1	For Model with VOITH Retarder	●				
26	280.587	389 260 0690	Oil Pump	1	Old Type-Assembly	●				
27	130.538	004 981 9225	Bearing 45x75x16	1	With 101.123	●				
27	130.859	008 981 5425	Bearing	1	With 101.168/101.169	●				
28	189.607	389 269 2601	Oil Pump Cover	1	New Type-Disassembled	●				
29	111.208	029 997 5748	O Ring	1	New Type-Disassembled	●				
30	189.606	389 269 1406	Oil Pump Gear	1	New Type-Disassembled	●				
31	189.605	389 269 0706	Oil Pump Hub	1	New Type-Disassembled	●				
32	189.604	947 269 1001	Oil Pump Housing	1	New Type-Disassembled	●				
33	141.162	389 265 2449	Slide Fork	2	(A) BRASS	●				
33	141.219	M389 265 2449	Slide Fork	2	(A) IRON	●				
33	141.165	947 265 0349	Slide Fork	2	(B) BRASS	●				
33	141.221	M947 265 0349	Slide Fork	2	(B) IRON	●				
34	130.539	004 981 9325	Bearing 85x150x28	1	(1) Old Type	●				
34	130.564	008 981 3025	Bearing 80x150x28	1		●				
34	130.563	007 981 8201	Bearing	1	For Model with TELMA Retarder	●				
35	139.834	000 267 0197	Oil Seal 22x32x8	1		●				
36	117.412	387 267 0650	Bush Th.8(34x22) mm	1		●				
37	132.062	930 260 2789	Cylinder	1		●				
37	132.063	930 260 2889	Cylinder	1		●				
38	132.072	945 267 2117	Cylinder	1		●				
38	132.073	930 260 2389	Cylinder	1		●				
39	132.066	389 267 1018	Cylinder	1		●				
40	139.817	024 997 8347	Oil Seal 77x90x17	1		●				
41	139.859	017 997 6545	Oil Seal	1		●				
41	139.597	020 997 8948	O Ring 3,0x89,5	1		●				
42	156.204	008 993 0801	Spring	1		●				
42	156.206	000 993 6705	Spring	1		●				
43	188.242	000 543 5785	Oil Tube	1		●				
43	189.689	000 543 5485	Oil Tube	1		●				
44	132.065	945 267 1119	Cylinder	1		●				
44	132.069	945 267 1319	Cylinder	1		●				
44	132.077	001 260 4963	Cylinder	1		●				

Notes

- (1) Old Type Planet carrier uses old bearing type.
The old type is replaced by : 1 pc 190.337 + 1 pc 130.564
(A) Up to gearbox 36686
(B) From gearbox 36687

Date

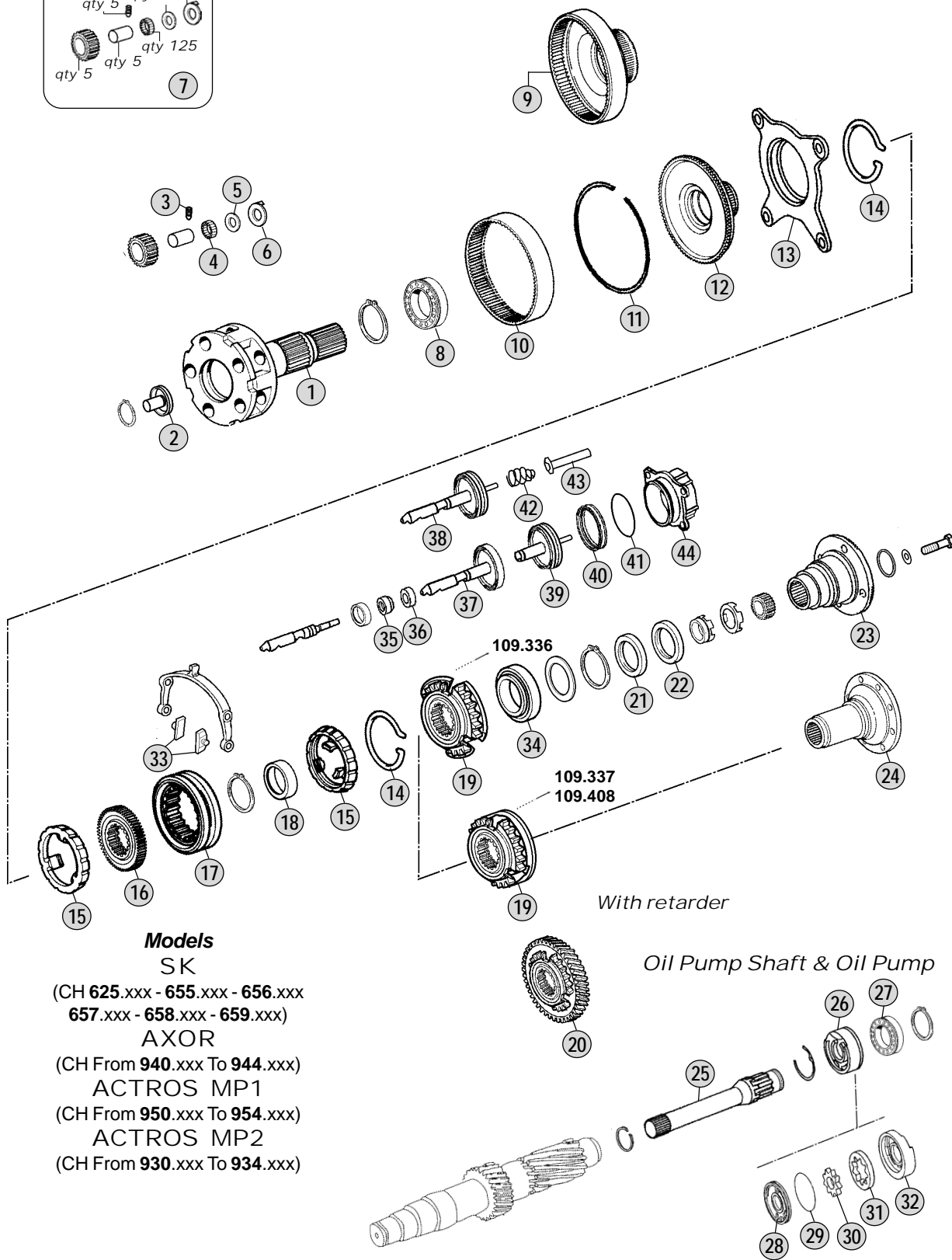
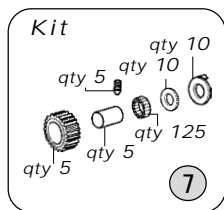
04 / 2011

Table

0355

All original equipment manufacturers numbers, symbols, pictures, models and description used in this catalogue are for reference only, and it is not implied that any part listed is the product of these manufactures.
Tutti i nostri particolari non sono originali ma con essi intercambiabili. I riferimenti originali, le figure, i modelli sono esposti a semplice titolo indicativo. La nostra produzione riporta il nostro marchio.

Adattabile a : **MERCEDES**
Suitable To :



Models
SK

(CH 625.xxx - 655.xxx - 656.xxx
657.xxx - 658.xxx - 659.xxx)

AXOR

(CH From 940.xxx To 944.xxx)

ACTROS MP1

(CH From 950.xxx To 954.xxx)

ACTROS MP2

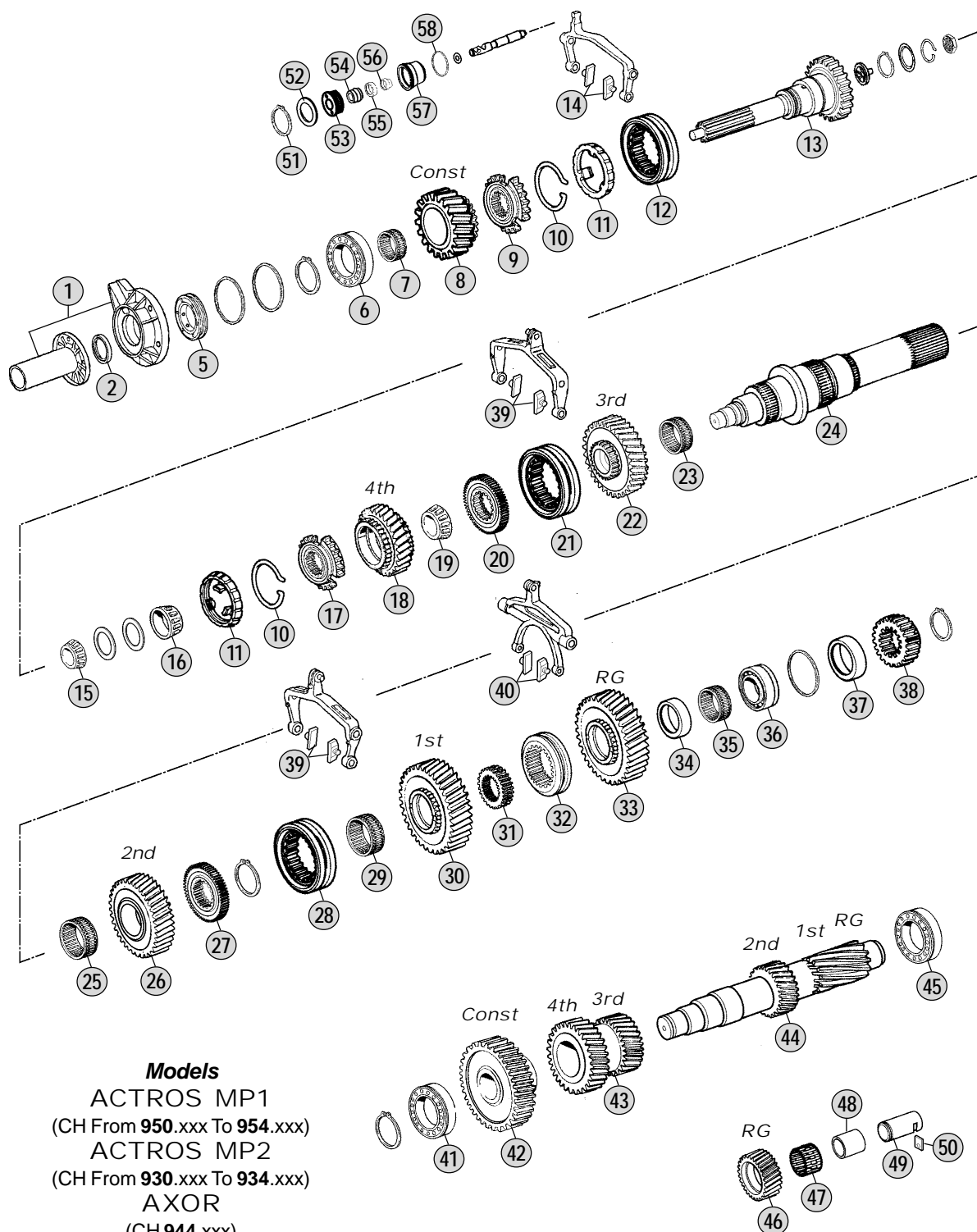
(CH From 930.xxx To 934.xxx)

Models

G240 - 16 / 11,7 - 0,69 **715.260(EPS)-261-400-410-411-520-521**

All original equipment manufacturers' numbers, symbols, models and description used in this catalogue are for reference only, and it is not implied that any part listed is the product of these manufactures. Tutti i nostri particolari non sono originali ma con essi intercambiabili. I riferimenti originali, le figure, i modelli sono esposti a semplice titolo indicativo. La nostra produzione riporta il nostro marchio.



Adattabile a : **MERCEDES**
Suitable To :Modelli Cambio/ Gearbox Models
G241 (16 Speeds)**Models**ACTROS MP1
(CH From 950.xxx To 954.xxx)ACTROS MP2
(CH From 930.xxx To 934.xxx)AXOR
(CH 944.xxx)
ECONIC
(CH 957.xxx)**Models**

G241 - 16/17,03 - 1,00 715.513

All original equipment manufacturers' numbers, symbols and description used in this catalogue are for reference only, and it is not implied that any part listed is the product of these manufactures.
Tutti i nostri particolari non sono originali ma con essi intercambiabili. I riferimenti originali, le figure, i modelli sono esposti a semplice titolo indicativo. La nostra produzione riporta il nostro marchio.

Fig.	CEI no.	Rif. MB	Description	Q.ty	Note	G241-16/17,03-1,00				
1	135.134	945 261 1118	Front Cover	1		●				
2	139.556	019 997 0547	Oil Seal 56x72x8	1		●				
5	139.555	389 261 0865	Diaphragm	1		●				
6	130.550	011 981 1305	Bearing 75x140x34,3	1		●				
7	137.189	018 981 6410	Needle Cage 84x90x39,5	1		●				
8	146.713	930 262 0217	Constant Gear 27 T	1		●				
9	109.414	945 262 5434	Synchronizer Cone	1		●				
10	111.205	387 262 0893	Elastic Ring	2		●				
11	119.237	946 262 6137	Synchronizer Ring	1		●				
11	119.299	CEI 119299	Synchronizer Ring	2	LONG LIFE	●				
12	154.388	945 262 6523	Sliding Sleeve	1		●				
12	154.460	M945 262 6523	Sliding Sleeve	1	LONG LIFE	●				
13	102.501	930 262 1003	Input Shaft	1		●				
14	141.165	947 265 0349	Slide Fork	2	BRASS	●				
14	141.221	M947 265 0349	Slide Fork	1	IRON	●				
15	130.556	014 981 1905	Bearing 39,6x77,7x40	1		●				
16	130.560	017 981 5105	Needle Bearing 50x41,3	1		●				
17	109.789	930 262 0034	Synchronizer Cone	1		●				
18	244.083	930 262 2217	Gear 4th Speed	1		●				
19	130.559	015 981 6205	Bearing 55x96,3x29,8	1		●				
20	157.734	945 262 3635	Synchronizer Hub	1		●				
21	154.438	930 262 0123	Sliding Sleeve	1		●				
22	244.084	930 262 0613	Gear 3rd Speed 34 T	1		●				
23	137.177	018 981 6610	Needle Cage K85x93x53ZWD	1		●				
24	103.250	930 260 0605	Main Shaft	1		●				
25	137.177	018 981 6610	Needle Cage K85x93x53ZWD	1		●				
26	244.085	945 262 6812	Gear 2nd Speed 39 T	1		●				
27	157.734	945 262 3635	Synchronizer Hub	1		●				
28	154.438	930 262 0123	Sliding Sleeve	1		●				
29	137.251	018 981 8110	Needle Cage 75x83x48	1		●				
30	244.086	930 262 0611	Gear 1st Speed 44 T	1		●				
31	157.606	389 262 3935	Synchronizer Hub	1	Old Type - With 147.163	●				
31	155.232	945 262 3835	Synchronizer Hub	1	New Type - With 147.245	●				
32	154.223	389 262 1823	Sliding Sleeve	1		●				
33	147.163	945 262 3333	Reverse Gear 40 T	1	Old Type - With 157.606	●				
33	147.245	945 262 4433	Reverse Gear 40 T	1	New Type - With 155.232	●				
34	117.440	389 262 2250	Bush	1		●				
35	137.187	009 981 1510	Needle Cage K78x86x35ZW	1		●				
36	130.552	014 981 6105	Bearing 60x130x30	1		●				
37	117.325	389 262 3754	Spacer Th.18(74x60) mm	1		●				
38	157.605	945 262 0909	Sun Gear 25 T	1		●				
39	141.226	947 265 0449	Slide Fork	4		●				
39	141.228	M947 265 0449	Slide Fork	4	IRON	●				
40	141.160	945 265 0149	Slide Fork	1		●				
41	130.554	014 981 1405	Bearing 50,8x100x35	1		●				

Notes

Date

04 / 2011

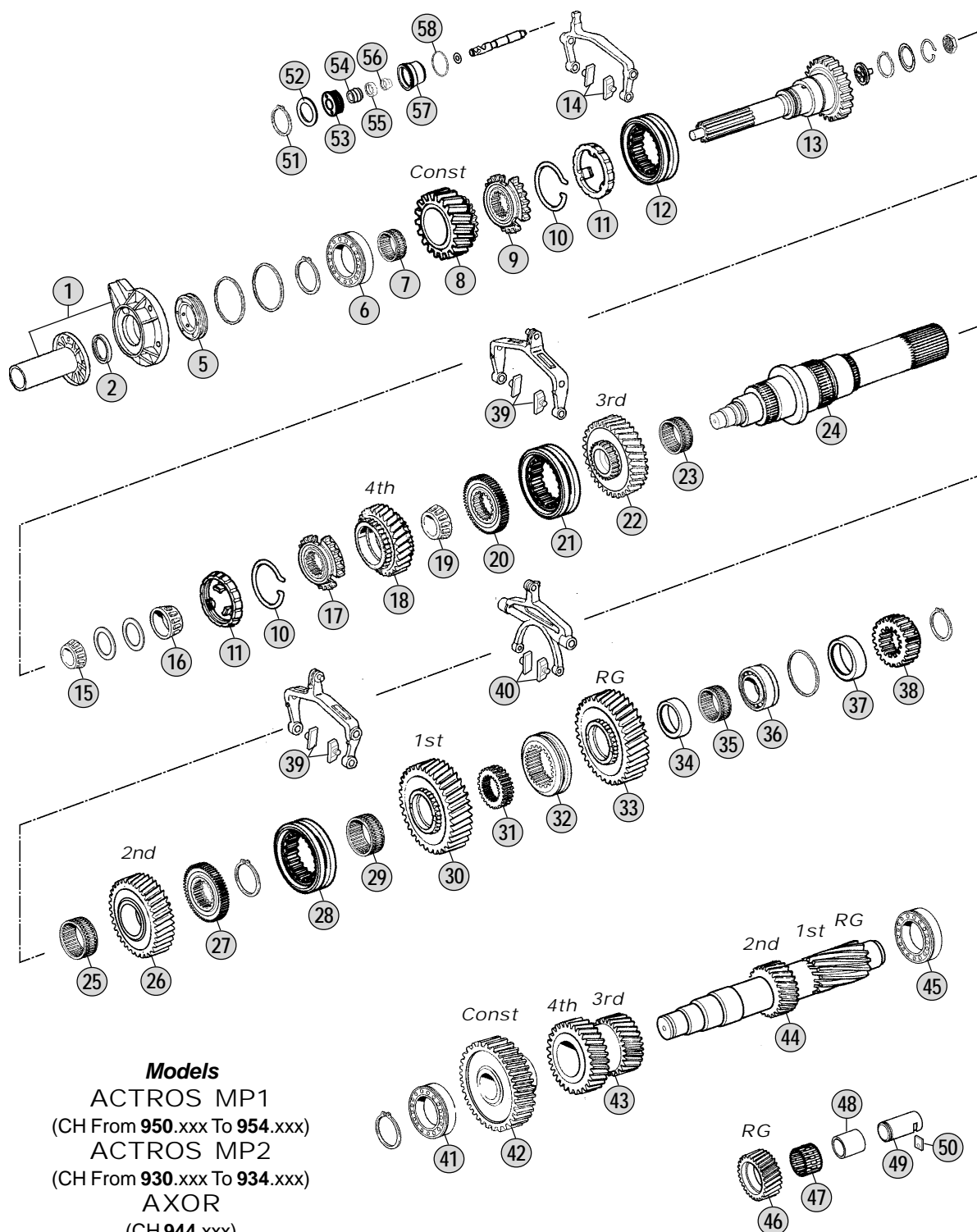
Table

0360

16 Speeds
G241

Adattabile a : **MERCEDES**
 Suitable To :

Modelli Cambio/ Gearbox Models
G241 (16 Speeds)



Models

ACTROS MP1
 (CH From 950.xxx To 954.xxx)

ACTROS MP2
 (CH From 930.xxx To 934.xxx)

AXOR
 (CH 944.xxx)
 ECONIC
 (CH 957.xxx)

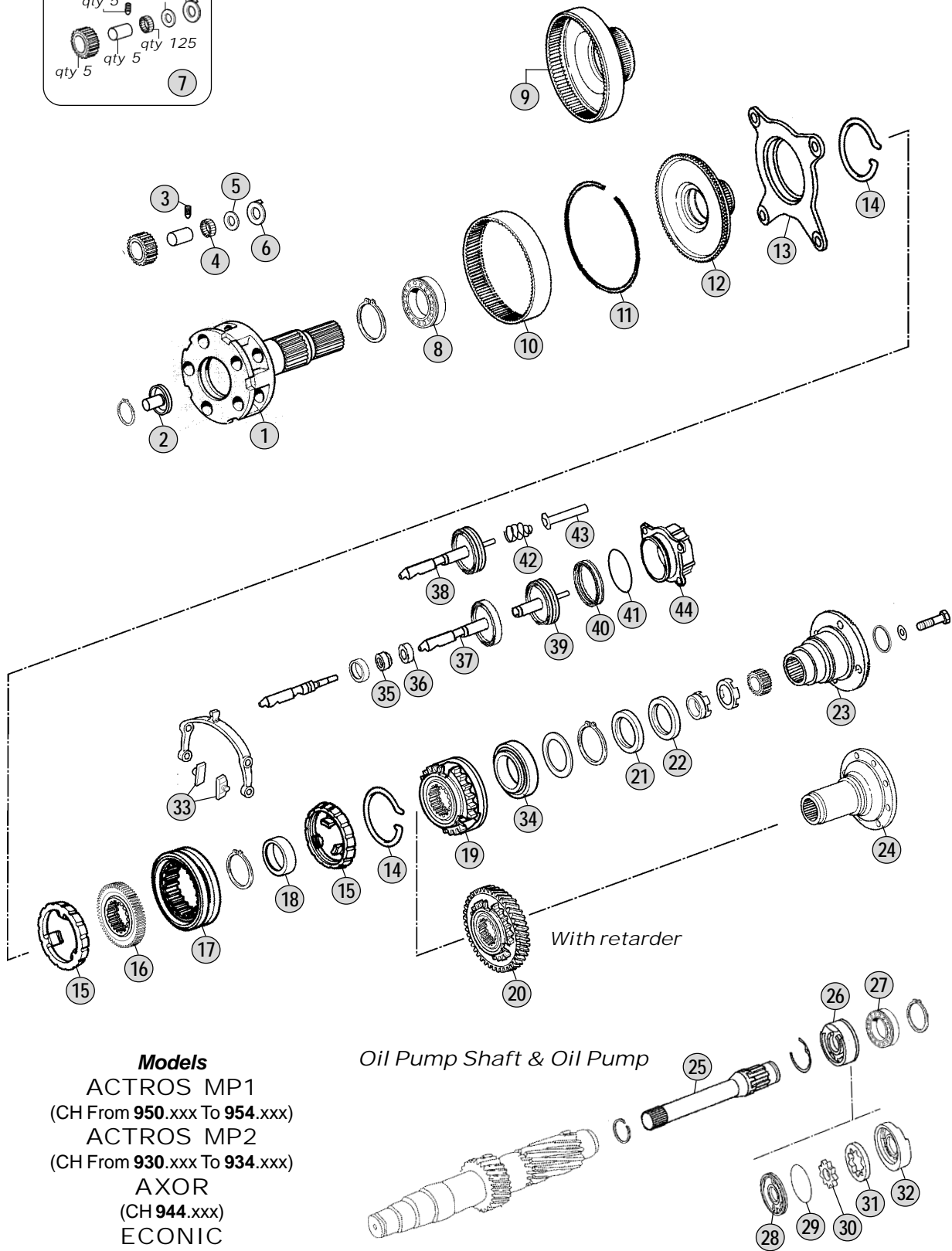
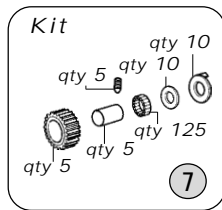
Models

G241 - 16/17,03 - 1,00 715.513

All original equipment manufacturers' numbers, symbols and description used in this catalogue are for reference only, and it is not implied that any part listed is the product of these manufactures.
 Tutti i nostri particolari non sono originali ma con essi intercambiabili. I riferimenti originali, le figure, i modelli sono esposti a semplice titolo indicativo. La nostra produzione riporta il nostro marchio.

Adattabile a : **MERCEDES**
 Suitable To :

Modelli Cambio/ Gearbox Models
G241 (16 Speeds)



Models

ACTROS MP1
 (CH From 950.xxx To 954.xxx)
 ACTROS MP2
 (CH From 930.xxx To 934.xxx)
 AXOR
 (CH 944.xxx)
 ECONIC
 (CH 957.xxx)

Models

G241 - 16/17,03 - 1,00 715.515-519

All original equipment manufacturers' numbers, symbols, pictures, models and description used in this catalogue are for reference only, and it is not implied that any part listed is the product of these manufactures.
 Tutti i nostri particolari non sono originali ma con essi intercambiabili. I riferimenti originali, le figure, i modelli sono esposti a semplice titolo indicativo. La nostra produzione riporta il nostro marchio.

Fig.	CEI no.	Rif. MB	Description	Q.ty	Note	G241-16/17,03-1,00				
1	190.337	946 260 3661	Planetary Carrier (Empty)	1	Empty	●				
1	190.338	945 260 4661	Planetary Carrier (Complete)	1	Complete	●				
2	188.181	945 269 0834	Oil Tube	1		●				
3	187.609	000914 006109	Stud 6x14 mm	5		●				
4	171.057	000 981 4186	Needle 5x39,8	125		●				
5	169.801	389 262 0162	Spacer	10		●				
6	169.803	389 262 1462	Thrust Washer	10		●				
7	198.886	655 260 0197	Repair Kit	1		●				
8	130.540	008 981 1325	Bearing 90x130x14	1		●				
9	123.230	945 262 0108	Crown Gear 85 T D.269 mm	1	ALT-1 pc.Fig.10+Fig.11+Fig.12	●				
10	123.232	945 262 0208	Crown Gear 85 T D.269-H 70mm	1	ALT-1 pc.Fig.9 (Crown Assy)	●				
10	123.313	945 262 0808	Crown Gear 85 T D.271-H 70mm	1	ALT-1 pc.Fig.9 (Crown Assy)	●				
11	111.209	389 262 0773	Lock Ring	1		●				
12	150.144	389 262 1425	Carrier Hub 85 T	1	ALT-1 pc.Fig.9 (Crown Assy)	●				
13	198.879	389 260 2036	Synchronizer Flange	1	(A)	●				
13	298.054	947 260 3036	Synchronizer Flange	1	(B)	●				
14	111.206	389 262 0293	Elastic Ring	2		●				
15	119.160	389 262 0537	Synchronizer Ring	2	(A)	●				
15	119.250	389 262 3337	Synchronizer Ring	2	(A) LONG LIFE	●				
15	119.224	947 260 0945	Synchronizer Ring	2	(B)	●				
15	119.298	CEI 119298	Synchronizer Ring	2	(B) LONG LIFE	●				
16	155.204	389 262 2035	Synchronizer Hub	1		●				
17	154.217	945 262 6623	Sliding Sleeve	1	(A)	●				
17	154.433	M945 262 6623	Sliding Sleeve	1	(A) LONG LIFE	●				
17	154.378	945 262 6923	Sliding Sleeve	1	(B)	●				
17	154.458	M945 262 6923	Sliding Sleeve	1	(B) LONG LIFE	●				
18	117.322	389 262 0251	Bush	1		●				
19	109.337	389 262 9234	Synchronizer Cone	1	(A)	●				
19	109.408	945 262 3834	Synchronizer Cone	1	(B)	●				
20	109.342	389 264 0730	Synchronizer Cone W/RET.63 T	1	(A) With Retarder	●				
20	109.793	945 264 0520	Synchronizer Cone W/RET.63 T	1	(B)	●				
20	196.369	930 264 0320	Gear W/RET. 64 T	1	(B)	●				
20	196.370	930 264 0420	Gear W/RET. 59 T	1	(B) With Retarder	●				
21	139.551	013 997 7247	Oil Seal 95x115x13	1		●				
21	139.557	015 997 6447	Oil Seal	1	For Model with TELMA Retarder	●				
22	139.552	013 997 7347	Oil Seal 95x115x13	1		●				
22	139.558	017 997 1247	Oil Seal	1	For Model with TELMA Retarder	●				
23	197.083	945 262 0045	Output Flange D.180 mm	1		●				
23	197.082	389 262 0645	Output Flange D.200 mm	1		●				
23	197.173	930 262 0045	Output Flange D.180 mm	1		●				
23	197.174	930 262 0145	Output Flange D.200 mm	1		●				
24	197.085	387 264 1945	Output Flange D.198 mm	1	For Model with TELMA Retarder	●				
24	197.207	387 264 2045	Output Flange D.198 mm	1	For Model with TELMA Retarder	●				
24	197.084	945 262 0445	Output Flange D.200 mm	1	For Model with TELMA Retarder	●				
24	197.208	945 262 0545	Output Flange D.200 mm	1	For Model with TELMA Retarder	●				

Notes

- (A) Up to gearbox 36686
(B) From gearbox 36687

Date

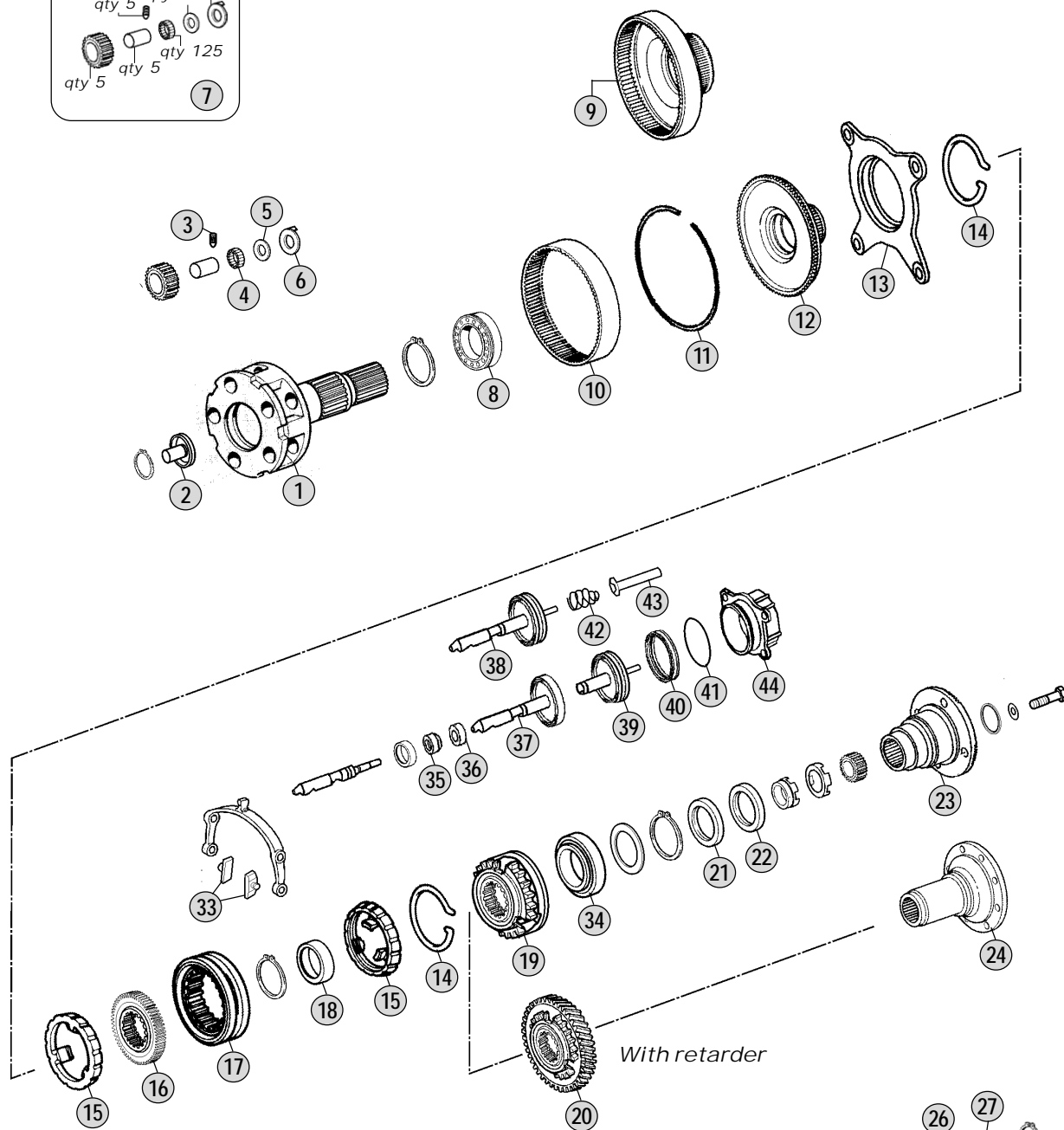
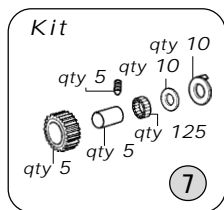
04 / 2011

Table

0365

Adattabile a : **MERCEDES**
 Suitable To :

Modelli Cambio/ Gearbox Models
G241 (16 Speeds)



Oil Pump Shaft & Oil Pump

Models

- ACTROS MP1
(CH From 950.xxx To 954.xxx)
- ACTROS MP2
(CH From 930.xxx To 934.xxx)
- AXOR
(CH 944.xxx)
- ECONIC
(CH 957.xxx)

Models

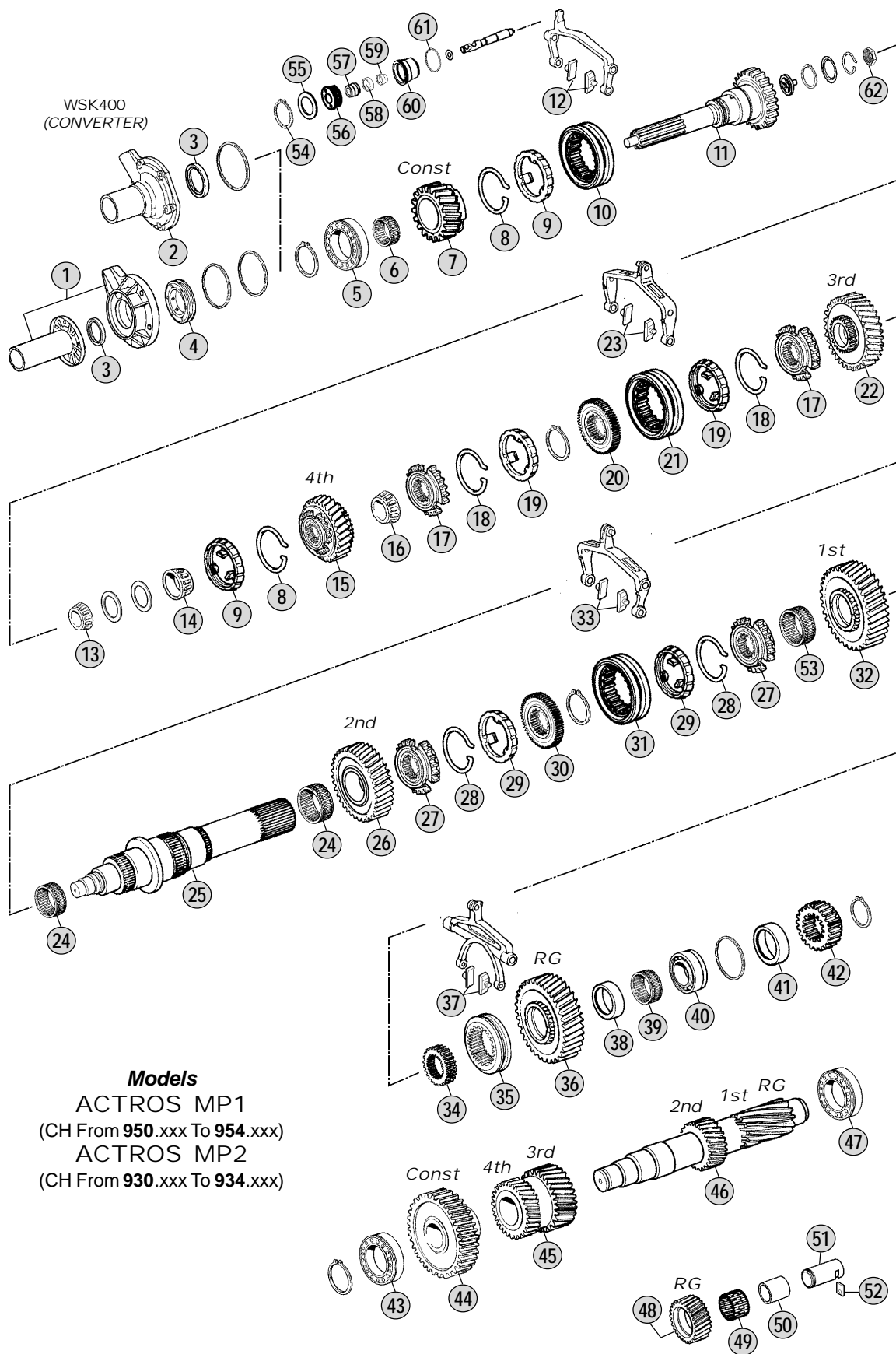
G241 - 16/17,03 - 1,00 **715.515-519**

All original equipment manufacturers' numbers, symbols, pictures, models and description used in this catalogue are for reference only, and it is not implied that any part listed is the product of these manufactures. Tutti i nostri particolari non sono originali ma con essi intercambiabili. I riferimenti originali, le figure, i modelli sono esposti a semplice titolo indicativo. La nostra produzione riporta il nostro marchio.



Adattabile a : **MERCEDES**
 Suitable To :

Modelli Cambio/ Gearbox Models
G260 (16 Speeds)



Models
 ACTROS MP1
 (CH From 950.xxx To 954.xxx)
 ACTROS MP2
 (CH From 930.xxx To 934.xxx)

All original equipment manufacturers numbers, symbols, models and description used in this catalogue are for reference only, and it is not implied that any part listed is the product of these manufactures.
 Tutti i nostri particolari non sono originali ma con essi intercambiabili. I riferimenti originali, le figure, i modelli sono esposti a semplice titolo indicativo. La nostra produzione riporta il nostro marchio.

Models

G260 - 16 / 9,75 - 0,57 715.540



Fig.	CEI no.	Rif. MB	Description	Q.ty	Note	G260-16/9,75-0,57				
1	135.134	945 261 1118	Front Cover	1	Latest Models	●				
2	135.133	945 261 1218	Front Cover	1	With WSK400-Up to 6/99	●				
2	135.132	945 261 2818	Front Cover	1	With WSK400-From 6/99	●				
3	139.556	019 997 0547	Oil Seal 56x72x8	1		●				
4	139.555	389 261 0865	Diaphragm	1		●				
5	130.550	011 981 1305	Bearing 75x140x34,3	1		●				
6	137.188	016 981 0010	Needle Cage K89x97x40ZW	1		●				
7	145.619	945 262 4710	Constant Gear 39 T	1	(A)	●				
7	146.715	945 262 5917	Constant Gear 39 T	1	(B)	●				
8	111.204	387 262 1093	Elastic Ring	2		●				
9	119.112	389 262 0637	Synchronizer Ring	2	(A)	●				
9	119.226	389 262 3137	Synchronizer Ring	2	(A) LONG LIFE	●				
9	119.271	947 260 0545	Synchronizer Ring	2	(B)	●				
9	119.300	CEI 119300	Synchronizer Ring	2	(B) LONG LIFE	●				
10	154.221	945 262 0323	Sliding Sleeve	1	(A)	●				
10	154.408	M945 262 0323	Sliding Sleeve	1	(A) LONG LIFE	●				
10	154.399	945 262 6823	Sliding Sleeve	1	(B)	●				
10	154.457	M945 262 6823	Sliding Sleeve	1	(B) LONG LIFE	●				
11	102.274	389 262 8301	Input Shaft 60 T	1		●				
11	102.273	945 262 4403	Input Shaft 60 T	1	With WSK400	●				
11	102.285	945 262 1301	Input Shaft	1	With NMV (Old Type)	●				
11	102.510	945 262 6203	Input Shaft	1	With NMV (New Type)	●				
12	141.165	947 265 0349	Slide Fork	2	BRASS	●				
12	141.221	M947 265 0349	Slide Fork	2	IRON	●				
13	130.558	015 981 1605	Bearing 39,65x82,3x41	1		●				
14	130.560	017 981 5105	Needle Bearing 50x41,3	1		●				
15	145.588	389 262 7910	Gear 4th Speed 36 T	1	(A)	●				
15	145.970	945 262 5617	Gear 4th Speed 36 T	1	(B)	●				
16	130.559	015 981 6205	Bearing 55x96,3x29,8	1		●				
17	109.189	945 262 0534	Synchronizer Cone	2	(A)	●				
17	109.414	945 262 5434	Synchronizer Cone	2	(B)	●				
18	111.205	387 262 0893	Elastic Ring	2		●				
19	119.161	389 262 0737	Synchronizer Ring	2	(A)	●				
19	119.225	389 262 3237	Synchronizer Ring	2	(A) LONG LIFE	●				
19	119.237	946 262 6137	Synchronizer Ring	2	(B)	●				
19	119.299	CEI 119299	Synchronizer Ring	2	(B) LONG LIFE	●				
20	157.556	389 262 4735	Synchronizer Hub	1		●				
21	154.220	945 262 0423	Sliding Sleeve	1	(A)	●				
21	154.409	M945 262 0423	Sliding Sleeve	1	(A) LONG LIFE	●				
21	154.388	945 262 6523	Sliding Sleeve	1	(B)	●				
21	154.460	M945 262 6523	Sliding Sleeve	1	(B) LONG LIFE	●				
22	145.592	389 262 3713	Gear 3rd Speed 29 T	1		●				
23	141.165	947 265 0349	Slide Fork	2	BRASS	●				
23	141.221	M947 265 0349	Slide Fork	2	IRON	●				
24	137.177	018 981 6610	Needle Cage K85x93x53ZWD	2		●				

Notes

- (A) Up to gearbox 502734
(B) From gearbox 502735

Date

04 / 2011

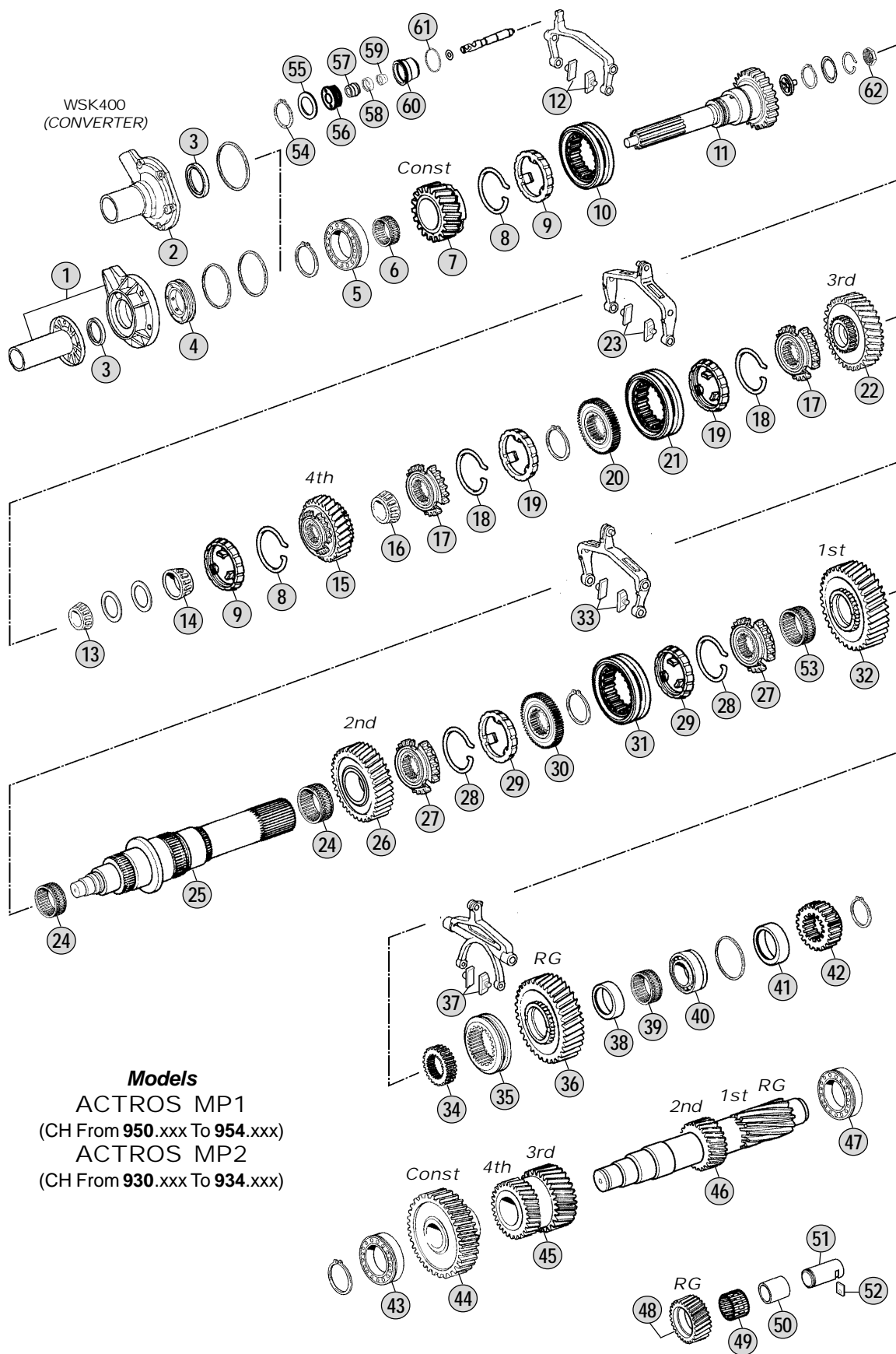
Table

0370

All original equipment manufacturers numbers, symbols, pictures, models and description used in this catalogue are for reference only, and it is not implied that any part listed is the product of these manufactures.
Tutti i nostri particolari non sono originali ma con essi intercambiabili. I riferimenti originali, le figure, i modelli sono esposti a semplice titolo indicativo. La nostra produzione riporta il nostro marchio.

Adattabile a : **MERCEDES**
 Suitable To :

Modelli Cambio/ Gearbox Models
G260 (16 Speeds)



Models
 ACTROS MP1
 (CH From 950.xxx To 954.xxx)
 ACTROS MP2
 (CH From 930.xxx To 934.xxx)

All original equipment manufacturers' numbers, symbols, pictures, models and description used in this catalogue are for reference only, and it is not implied that any part listed is the product of these manufactures.
 Tutti i nostri particolari non sono originali ma con essi intercambiabili. I riferimenti originali, le figure, i modelli sono esposti a semplice titolo indicativo. La nostra produzione riporta il nostro marchio.

Models

G260 - 16 / 9,75 - 0,57 715.540



Fig.	CEI no.	Rif. MB	Description	Q.ty	Note	G260-169,75-0,57				
25	103.149	945 262 3605	Main Shaft	1	Old Bearing	●				
25	103.188	945 262 4505	Main Shaft	1	New Bearing	●				
26	145.615	945 262 3112	Gear 2nd Speed 39 T	1		●				
27	109.187	945 262 0434	Synchronizer Cone	2	(A)	●				
27	109.415	945 262 5534	Synchronizer Cone	2	(B)	●				
28	111.205	387 262 0893	Elastic Ring	2		●				
29	119.161	389 262 0737	Synchronizer Ring	2	(A)	●				
29	119.225	389 262 3237	Synchronizer Ring	2	(A) LONG LIFE	●				
29	119.237	946 262 6137	Synchronizer Ring	2	(B)	●				
29	119.299	CEI 119299	Synchronizer Ring	2	(B) LONG LIFE	●				
30	157.557	389 262 2535	Synchronizer Hub	1		●				
31	154.220	945 262 0423	Sliding Sleeve	1	(A)	●				
31	154.409	M945 262 0423	Sliding Sleeve	1	(A) LONG LIFE	●				
31	154.388	945 262 6523	Sliding Sleeve	1	(B)	●				
31	154.460	M945 262 6523	Sliding Sleeve	1	(B) LONG LIFE	●				
32	145.616	389 262 2711	Gear 1st Speed 44 T	1		●				
33	141.165	947 265 0349	Slide Fork	2	BRASS	●				
33	141.221	M947 265 0349	Slide Fork	2	IRON	●				
34	157.603	389 262 0135	Synchronizer Hub	1	With 154.224	●				
34	157.606	389 262 3935	Synchronizer Hub	1	With 154.223 / Old Type	●				
34	155.232	945 262 3835	Synchronizer Hub	1	With 154.223 / New Type	●				
35	154.224	389 262 1723	Sliding Sleeve	1	With 147.161	●				
35	154.223	389 262 1823	Sliding Sleeve	1	With 147.163 / 147.245	●				
36	147.161	945 262 3233	Reverse Gear 40 T	1	With 154.224	●				
36	147.163	945 262 3333	Reverse Gear 40 T	1	With 154.223 / Old Type	●				
36	147.245	945 262 4433	Reverse Gear 40 T	1	With 154.223 / New Type	●				
37	141.160	945 265 0149	Slide Fork	2		●				
38	117.327	389 262 2550	Bush	1		●				
39	137.187	009 981 1510	Needle Cage K78x86x35ZW	1		●				
40	130.552	014 981 6105	Bearing 60x130x30	1		●				
41	117.325	389 262 3754	Spacer Th.18(74x60) mm	1		●				
42	157.605	945 262 0909	Sun Gear 25 T	1		●				
43	130.554	014 981 1405	Bearing 50,8x100x35	1		●				
44	146.505	945 263 0510	Constant Gear 26 T	1		●				
45	143.104	945 263 3213	Double Gear 4th/3rd Sp.-34/29 T	1		●				
46	105.132	945 263 2902	Countershaft 21/16 T	1		●				
47	130.553	016 981 1205	Bearing 60x130x33,8	1		●				
48	147.162	389 263 1031	Reverse Gear 21 T	1		●				
49	137.181	012 981 8910	Needle Cage K42x50x51ZW	1		●				
50	117.324	389 263 0850	Bush Th.18(74x60) mm	1		●				
51	107.174	976 263 0030	Reverse Shaft	1		●				
52	188.236	945 263 0041	Key	1		●				
53	137.182	008 981 8310	Needle Cage 75x83x55W	1	Old Type with 103.149	●				
53	137.251	018 981 8110	Needle Cage 75x83x48	1	New Type with 103.188	●				
54	111.358	006 994 4241	Lock Ring	1		●				

Notes

- (A) Up to gearbox 502734
(B) From gearbox 502735

Date

04 / 2011

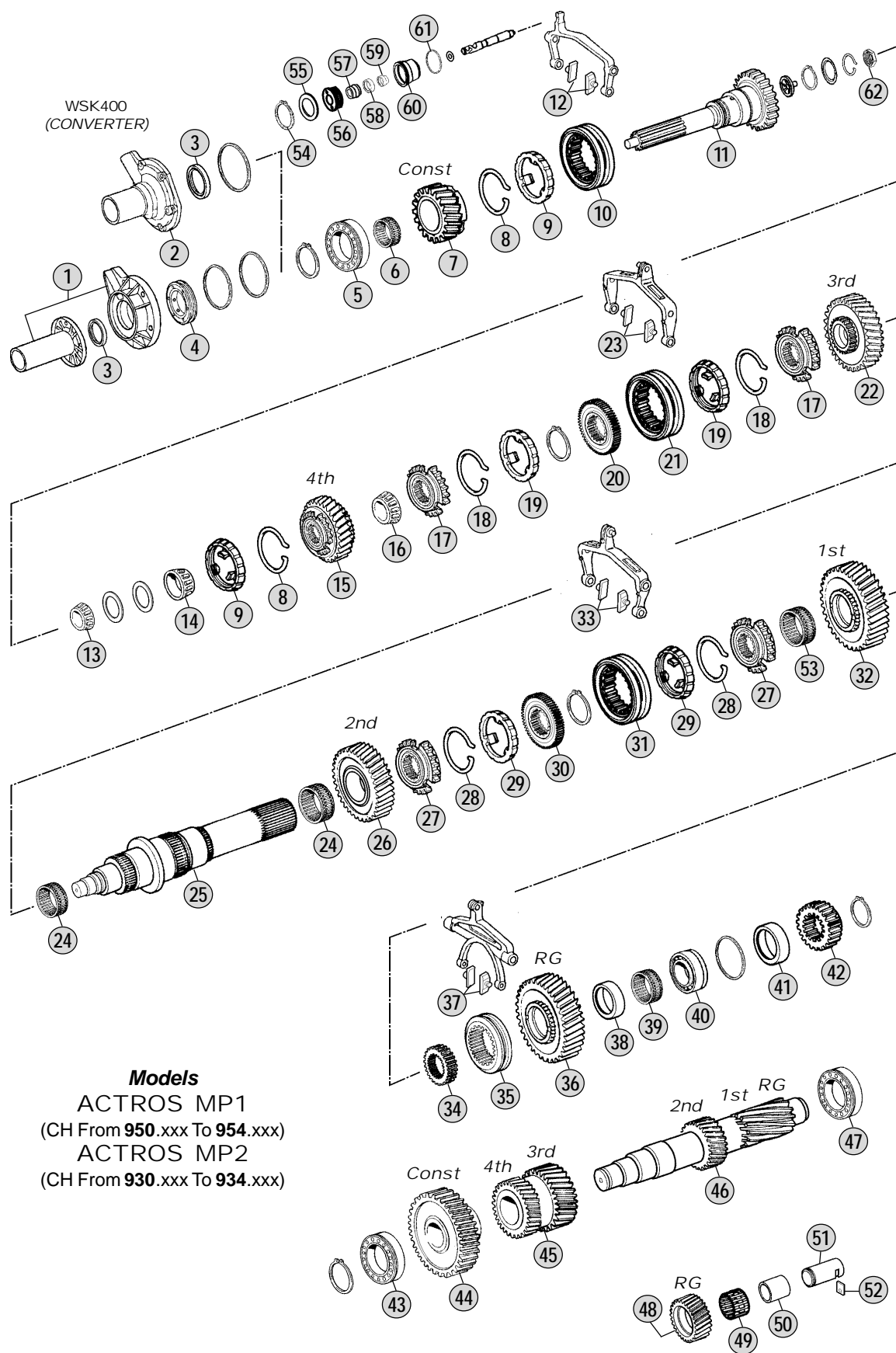
Table

0370

All original equipment manufacturers numbers, symbols, pictures, models and description used in this catalogue are for reference only, and it is not implied that any part listed is the product of these manufactures.
Tutti i nostri particolari non sono originali ma con essi intercambiabili. I riferimenti originali, le figure, i modelli sono esposti a semplice titolo indicativo. La nostra produzione riporta il nostro marchio.

Adattabile a : **MERCEDES**
 Suitable To :

Modelli Cambio/ Gearbox Models
G260 (16 Speeds)



Models
 ACTROS MP1
 (CH From 950.xxx To 954.xxx)
 ACTROS MP2
 (CH From 930.xxx To 934.xxx)

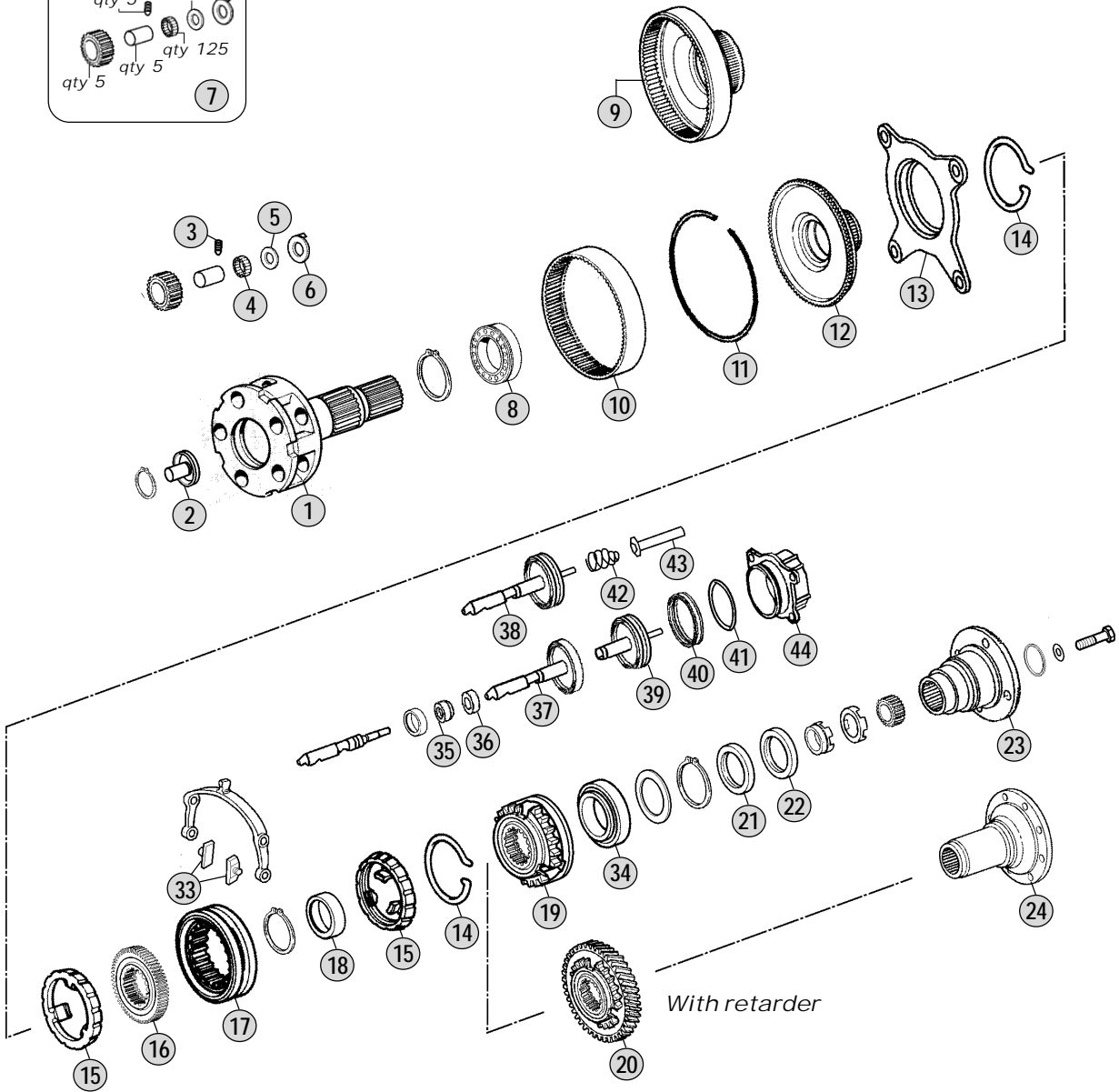
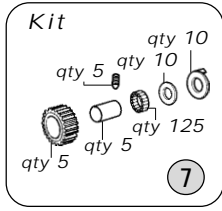
All original equipment manufacturers' numbers, symbols, models and description used in this catalogue are for reference only, and it is not implied that any part listed is the product of these manufactures.
 Tutti i nostri particolari non sono originali ma con essi intercambiabili. I riferimenti originali, le figure, i modelli sono esposti a semplice titolo indicativo. La nostra produzione riporta il nostro marchio.

Models

G260 - 16 / 9,75 - 0,57 715.540

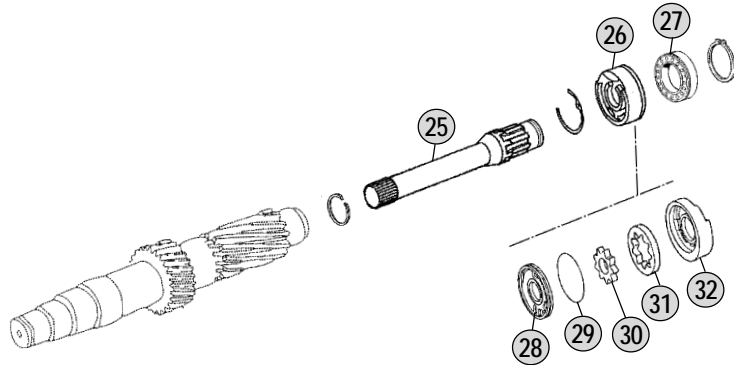


Adattabile a : **MERCEDES**
Suitable To :



With retarder

Oil Pump Shaft & Oil Pump



Models

ACTROS MP1
(CH From 950.xxx To 954.xxx)
ACTROS MP2
(CH From 930.xxx To 934.xxx)

Models

G260 - 16 / 9,75 - 0,57 715.540

All original equipment manufacturers' numbers, symbols and description used in this catalogue are for reference only, and it is not implied that any part listed is the product of these manufactures. Tutti i nostri particolari non sono originali ma con essi intercambiabili. I riferimenti originali, le figure, i modelli sono esposti a semplice titolo indicativo. La nostra produzione riporta il nostro marchio.

Fig.	CEI no.	Rif. MB	Description	Q.ty	Note	G260-16/9,75-0,57				
1	190.337	946 260 3661	Planetary Carrier (Empty)	1	Empty	●				
1	190.338	945 260 4661	Planetary Carrier (Complete)	1	Complete	●				
2	188.181	945 269 0834	Oil Tube	1		●				
3	187.609	000914 006109	Stud 6x14 mm	5		●				
4	171.057	000 981 4186	Needle 5x39,8	125		●				
5	169.801	389 262 0162	Spacer	10		●				
6	169.803	389 262 1462	Thrust Washer	10		●				
7	198.886	655 260 0197	Repair Kit	1		●				
8	130.540	008 981 1325	Bearing 90x130x14	1		●				
9	123.230	945 262 0108	Crown Gear 85 T D.269 mm	1	ALT-1 pc.Fig.10+Fig.11+Fig.12	●				
10	123.232	945 262 0208	Crown Gear 85 T D.269-H 70mm	1	ALT-1 pc.Fig.9 (Crown Assy)	●				
10	123.313	945 262 0808	Crown Gear 85 T D.271-H 70mm	1	ALT-1 pc.Fig.9 (Crown Assy)	●				
11	111.209	389 262 0773	Lock Ring	1		●				
12	150.144	389 262 1425	Carrier Hub 85 T	1	ALT-1 pc.Fig.9 (Crown Assy)	●				
13	198.879	389 260 2036	Synchronizer Flange	1	(A)	●				
13	298.054	947 260 3036	Synchronizer Flange	1	(B)	●				
14	111.206	389 262 0293	Elastic Ring	2		●				
15	119.160	389 262 0537	Synchronizer Ring	2	(A)	●				
15	119.250	389 262 3337	Synchronizer Ring	2	(A) LONG LIFE	●				
15	119.224	947 260 0945	Synchronizer Ring	2	(B)	●				
15	119.298	CEI 119298	Synchronizer Ring	2	(B) LONG LIFE	●				
16	155.204	389 262 2035	Synchronizer Hub	1		●				
17	154.217	945 262 6623	Sliding Sleeve	1	(A)	●				
17	154.433	M945 262 6623	Sliding Sleeve	1	(A) LONG LIFE	●				
17	154.378	945 262 6923	Sliding Sleeve	1	(B)	●				
17	154.458	M945 262 6923	Sliding Sleeve	1	(B) LONG LIFE	●				
18	117.322	389 262 0251	Bush	1		●				
19	109.337	389 262 9234	Synchronizer Cone	1	(A)	●				
19	109.408	945 262 3834	Synchronizer Cone	1	(B)	●				
20	109.342	389 264 0730	Synchronizer Cone W/RET.63 T	1	(A) With Retarder	●				
20	109.341	945 264 0420	Synchronizer Cone W/RET.59 T	1	(A) With Retarder	●				
20	109.830	930 264 0220	Synchronizer Cone W/RET.	1	(A) With Retarder	●				
20	109.793	945 264 0520	Synchronizer Cone W/RET.63 T	1	(B) With Retarder	●				
20	109.831	945 264 0620	Synchronizer Cone W/RET.59 T	1	(B) With Retarder	●				
20	196.370	930 264 0420	Gear W/RET. 59 T	1	(B) With Retarder	●				
21	139.551	013 997 7247	Oil Seal 95x115x13	1		●				
21	139.552	013 997 7347	Oil Seal 95x115x13	1	For Model with VOITH Retarder	●				
21	139.557	015 997 6447	Oil Seal	1	For Model with TELMA Retarder	●				
22	139.552	013 997 7347	Oil Seal 95x115x13	1		●				
22	139.558	017 997 1247	Oil Seal	1	For Model with TELMA Retarder	●				
23	197.083	945 262 0045	Output Flange D.180 mm	1		●				
23	197.081	389 262 0545	Output Flange D.180 mm	1	For Model with VOITH Retarder	●				
23	197.079	389 262 0445	Output Flange D.180 mm	1		●				
23	197.080	389 262 0945	Output Flange D.200 mm	1	For Model with VOITH Retarder	●				
23	197.082	389 262 0645	Output Flange D.200 mm	1		●				

Notes

- (A) Up to gearbox 366886
(B) From gearbox 366887

Date

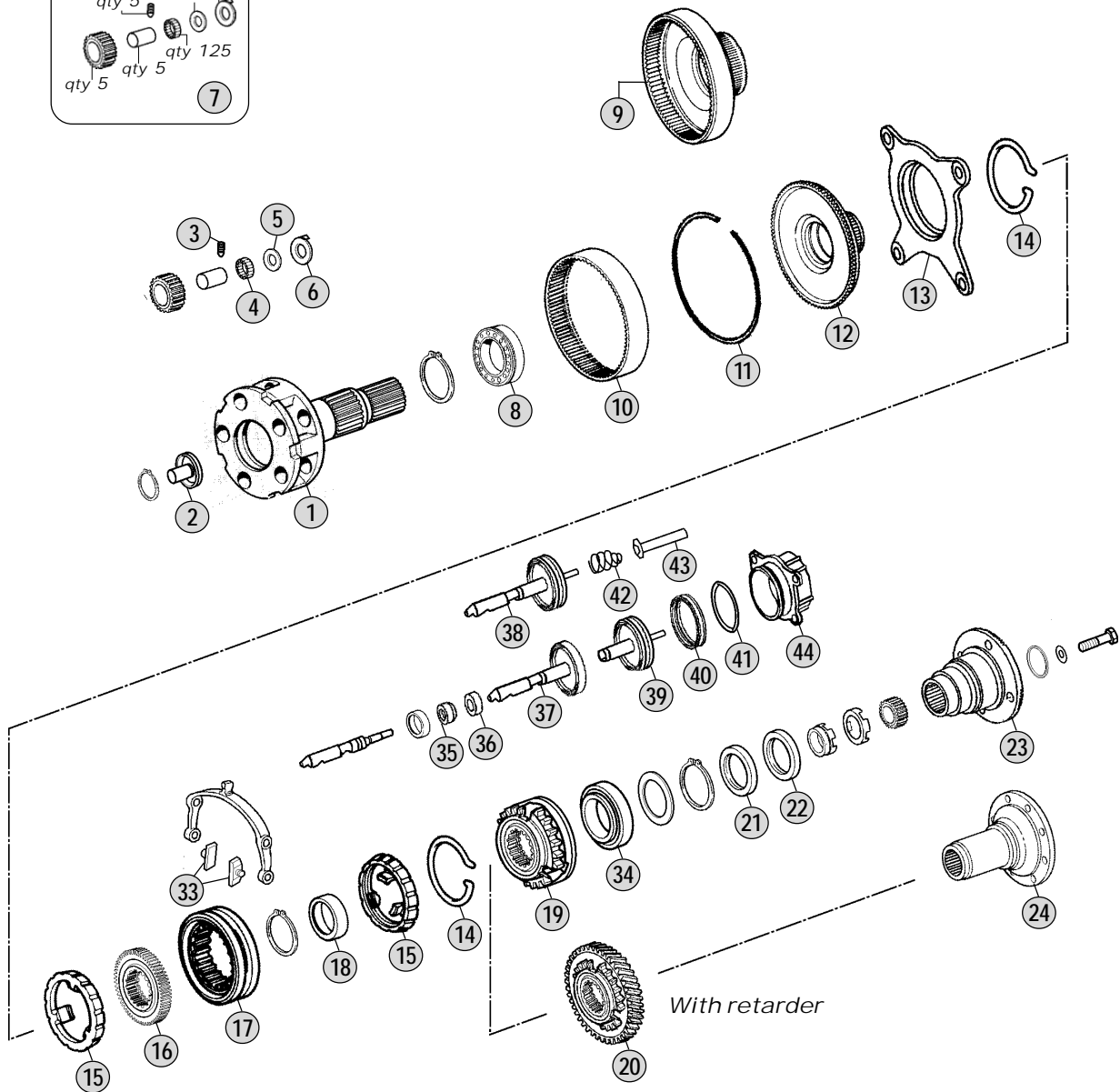
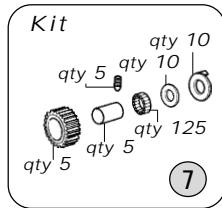
04 / 2011

Table

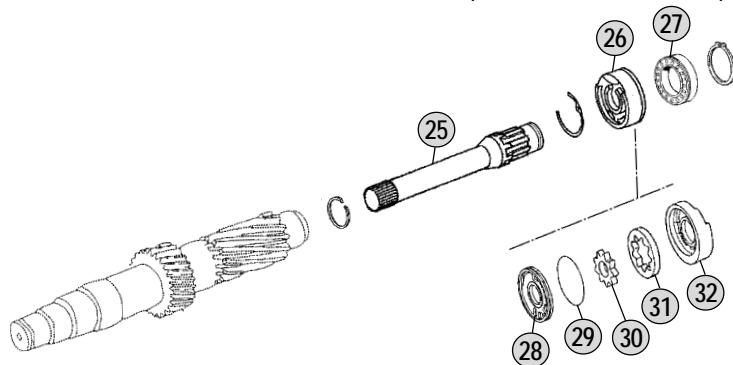
0375

Adattabile a : **MERCEDES**
 Suitable To : **MERCEDES**

Modelli Cambio/ Gearbox Models
G260 (16 Speeds)



Oil Pump Shaft & Oil Pump



Models

ACTROS MP1
 (CH From 950.xxx To 954.xxx)
 ACTROS MP2
 (CH From 930.xxx To 934.xxx)

Models

G260 - 16 / 9,75 - 0,57 715.540

All original equipment manufacturers' numbers, symbols and description used in this catalogue are for reference only, and it is not implied that any part listed is the product of these manufactures.
 Tutti i nostri particolari non sono originali ma con essi intercambiabili. I riferimenti originali, le figure, i modelli sono esposti a semplice titolo indicativo. La nostra produzione riporta il nostro marchio.

Fig.	CEI no.	Rif. MB	Description	Q.ty	Note	G260-1619,75-0,57				
23	197.174	930 262 0145	Output Flange D.200 mm	1		●				
24	197.209	930 262 0245	Output Flange D.180 mm	1	For Model with TELMA Retarder	●				
24	197.085	387 264 1945	Output Flange D.198 mm	1	For Model with TELMA Retarder	●				
24	197.207	387 264 2045	Output Flange D.198 mm	1	For Model with TELMA Retarder	●				
24	197.084	945 262 0445	Output Flange D.200 mm	1	For Model with TELMA Retarder	●				
24	197.208	945 262 0545	Output Flange D.200 mm	1	For Model with TELMA Retarder	●				
25	101.123	389 269 1210	Oil Pump Shaft	1		●				
25	101.169	947 269 1110	Oil Pump Shaft	1		●				
25	101.168	947 269 1010	Oil Pump Shaft	1	For Model with VOITH Retarder	●				
26	280.587	389 260 0690	Oil Pump	1	Old Type-Assembly	●				
27	130.538	004 981 9225	Bearing 45x75x16	1	With 101.123	●				
27	130.859	008 981 5425	Bearing	1	With 101.168/101.169	●				
28	189.607	389 269 2601	Oil Pump Cover	1	New Type-Disassembled	●				
29	111.208	029 997 5748	O Ring	1	New Type-Disassembled	●				
30	189.606	389 269 1406	Oil Pump Gear	1	New Type-Disassembled	●				
31	189.605	389 269 0706	Oil Pump Hub	1	New Type-Disassembled	●				
32	189.604	947 269 1001	Oil Pump Housing	1	New Type-Disassembled	●				
33	141.162	389 265 2449	Slide Fork	2	(A) BRASS	●				
33	141.219	M389 265 2449	Slide Fork	2	(A) IRON	●				
33	141.165	947 265 0349	Slide Fork	2	(B) BRASS	●				
33	141.221	M947 265 0349	Slide Fork	2	(B) IRON	●				
34	130.564	008 981 3025	Bearing 80x150x28	1		●				
34	130.563	007 981 8201	Bearing	1	For Model with TELMA Retarder	●				
35	139.834	000 267 0197	Oil Seal 22x32x8	1		●				
36	117.412	387 267 0650	Bush Th.8(34x22) mm	1		●				
37	132.062	930 260 2789	Cylinder	1		●				
37	132.063	930 260 2889	Cylinder	1		●				
38	132.072	945 267 2117	Cylinder	1		●				
38	132.073	930 260 2389	Cylinder	1		●				
38	132.074	930 260 2489	Cylinder	1		●				
39	132.066	389 267 1018	Cylinder	1		●				
39	132.079	947 267 0718	Cylinder	1		●				
40	139.817	024 997 8347	Oil Seal 77x90x17	1		●				
41	139.597	020 997 8948	O Ring 3,0x89,5	1		●				
41	139.859	017 997 6545	Oil Seal	1		●				
42	156.206	000 993 6705	Spring	1		●				
42	156.204	008 993 0801	Spring	1		●				
43	188.242	000 543 5785	Oil Tube	1		●				
43	189.689	000 543 5485	Oil Tube	1		●				
44	132.069	945 267 1319	Cylinder	1		●				
44	132.076	945 267 1219	Cylinder	1		●				

Notes

(A) Up to gearbox 366886
(B) From gearbox 366887

Date

04 / 2011

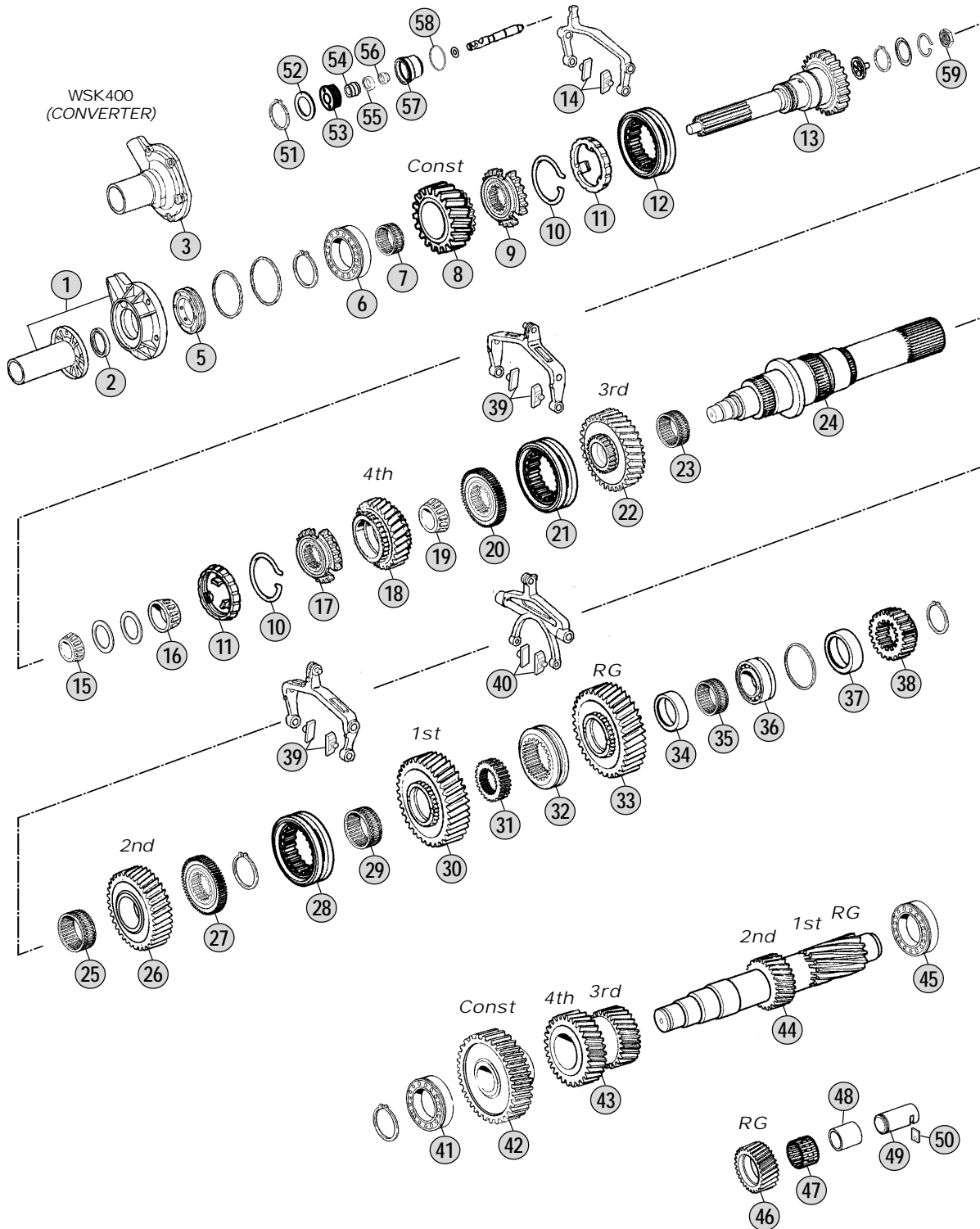
Table

0375

All original equipment manufacturers' numbers, symbols, pictures, models and description used in this catalogue are for reference only, and it is not implied that any part listed is the product of these manufacturers. Tutti i nostri particolari non sono originali ma con essi intercambiabili. I riferimenti originali, le figure, i modelli sono esposti a semplice titolo indicativo. La nostra produzione riporta il nostro marchio.

Adattabile a : **MERCEDES**
Suitable To :

Models
ACTROS MP2
(CH From 930.xxx To 934.xxx)



All original equipment manufacturers' numbers, symbols and description used in this catalogue are for reference only, and it is not implied that any part listed is the product of these manufactures. Tutti i nostri particolari non sono originali ma con essi intercambiabili. I riferimenti originali, le figure, i modelli sono esposti a semplice titolo indicativo. La nostra produzione riporta il nostro marchio.

Models

G280 - 16/11,72 - 0,69 715.525

G280-16/11,72-0,69

Fig.	CEI no.	Rif. MB	Description	Q.ty	Note				
1	135.134	945 261 1118	Front Cover	1		●			
2	139.556	019 997 0547	Oil Seal 56x72x8	1		●			
3	135.223	930 261 0018	Front Cover	1	With WKS	●			
5	139.555	389 261 0865	Diaphragm	1		●			
6	130.550	011 981 1305	Bearing 75x140x34,3	1		●			
7	137.189	018 981 6410	Needle Cage 84x90x39,5	1		●			
8	146.716	930 262 3217	Constant Gear 42 T	1		●			
9	109.414	945 262 5434	Synchronizer Cone	1		●			
10	111.205	387 262 0893	Elastic Ring	2		●			
11	119.237	946 262 6137	Synchronizer Ring	2		●			
11	119.299	CEI 119299	Synchronizer Ring	2	LONG LIFE	●			
12	154.388	945 262 6523	Sliding Sleeve	1		●			
12	154.460	M945 262 6523	Sliding Sleeve	1	LONG LIFE	●			
13	102.501	930 262 1003	Input Shaft	1		●			
14	141.165	947 265 0349	Slide Fork	2	BRASS	●			
14	141.221	M947 265 0349	Slide Fork	2	IRON	●			
15	130.556	014 981 1905	Bearing 39,6x77,7x40	1		●			
16	130.560	017 981 5105	Needle Bearing 50x41,3	1	New Type	●			
17	109.789	930 262 0034	Synchronizer Cone	1		●			
18	244.088	930 262 2417	Gear 4th Speed 36 T	1		●			
19	130.559	015 981 6205	Bearing 55x96,3x29,8	1		●			
20	157.734	945 262 3635	Synchronizer Hub	1		●			
21	154.438	930 262 0123	Sliding Sleeve	1		●			
22	244.087	930 262 0513	Gear 3rd Speed 29 T	1		●			
23	137.177	018 981 6610	Needle Cage K85x93x53ZWD	1		●			
24	103.250	930 260 0605	Main Shaft	1		●			
25	137.177	018 981 6610	Needle Cage K85x93x53ZWD	1		●			
26	244.085	945 262 6812	Gear 2nd Speed 39 T	1		●			
27	157.734	945 262 3635	Synchronizer Hub	1		●			
28	154.438	930 262 0123	Sliding Sleeve	1		●			
29	137.251	018 981 8110	Needle Cage 75x83x48	1		●			
30	244.086	930 262 0611	Gear 1st Speed 44 T	1		●			
31	157.606	389 262 3935	Synchronizer Hub	1	Old Type With 147.163	●			
31	155.232	945 262 3835	Synchronizer Hub	1	New Type With 147.245	●			
32	154.223	389 262 1823	Sliding Sleeve	1		●			
33	147.163	945 262 3333	Reverse Gear 40 T	1	Old Type With 157.606	●			
33	147.245	945 262 4433	Reverse Gear 40 T	1	New Type With 155.232	●			
34	117.327	389 262 2550	Bush	1		●			
35	137.187	009 981 1510	Needle Cage K78x86x35ZW	1		●			
36	130.552	014 981 6105	Bearing 60x130x30	1		●			
37	117.325	389 262 3754	Spacer Th.18(74x60) mm	1		●			
38	157.605	945 262 0909	Sun Gear 25 T	1		●			
39	141.226	947 265 0449	Slide Fork	4	BRASS	●			
39	141.228	M947 265 0449	Slide Fork	4	IRON	●			
40	141.160	945 265 0149	Slide Fork	2		●			

Notes

Date

04 / 2011

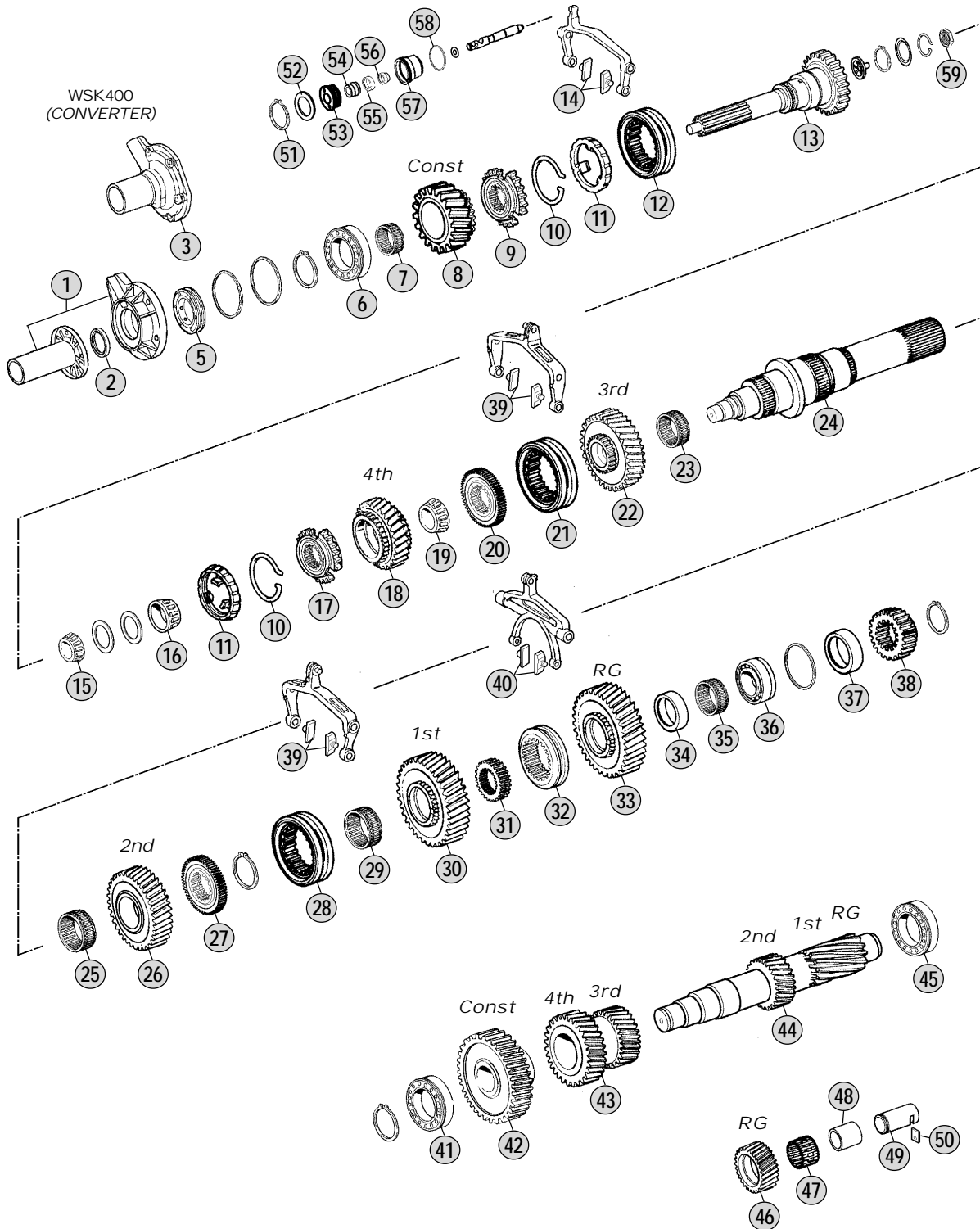
Table

0380

All original equipment manufacturers numbers, symbols, pictures, models and description used in this catalogue are for reference only, and it is not implied that any part listed is the product of these manufactures.
Tutti i nostri particolari non sono originali ma con essi intercambiabili. I riferimenti originali, le figure, i modelli sono esposti a semplice titolo indicativo. La nostra produzione riporta il nostro marchio.

Adattabile a : **MERCEDES**
Suitable To :

Models
ACTROS MP2
(CH From 930.xxx To 934.xxx)

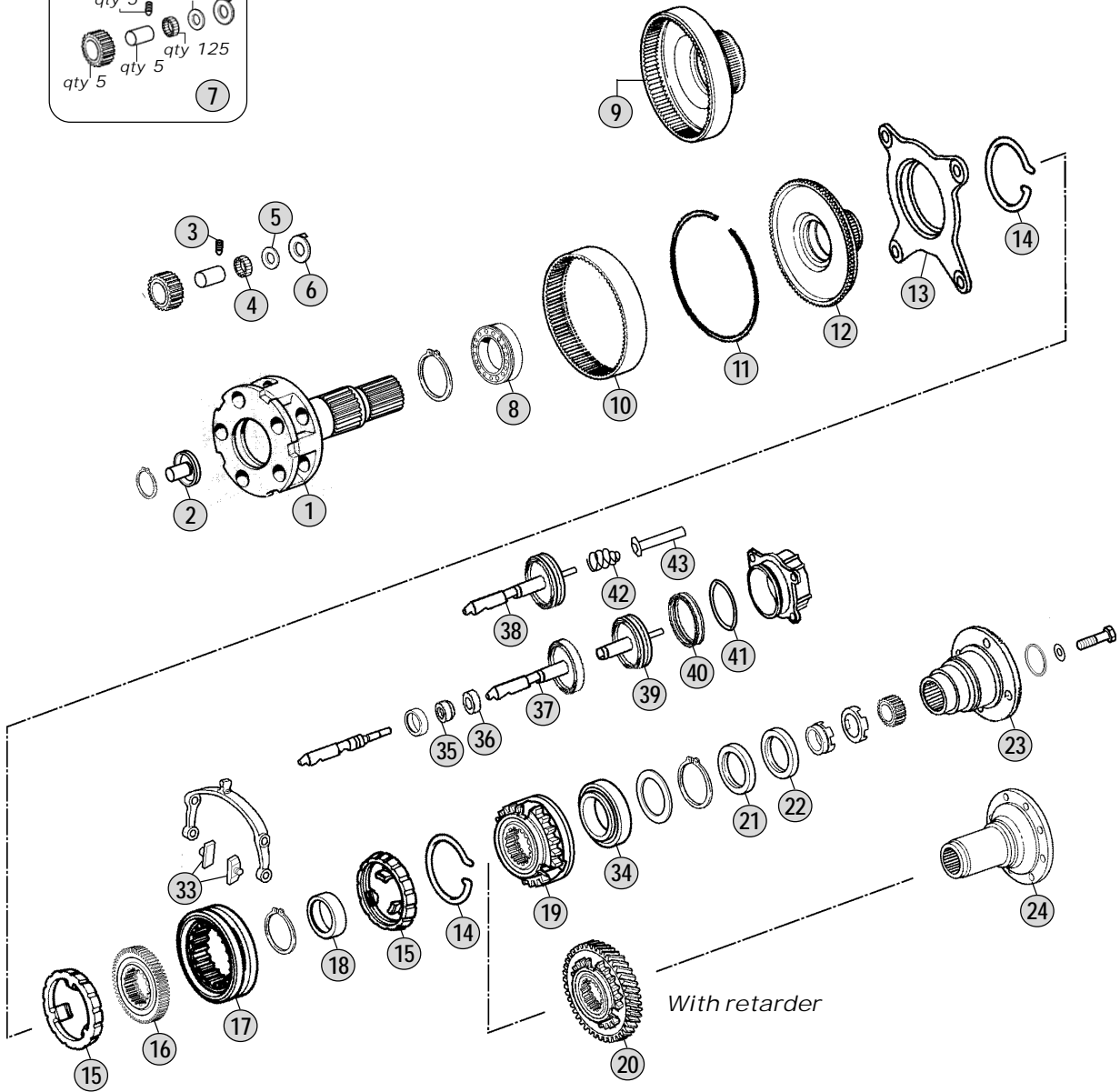
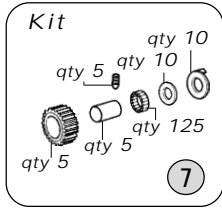


All original equipment manufacturers' numbers, symbols and description used in this catalogue are for reference only, and it is not implied that any part listed is the product of these manufactures. Tutti i nostri particolari non sono originali ma con essi intercambiabili. I riferimenti originali, le figure, i modelli sono esposti a semplice titolo indicativo. La nostra produzione riporta il nostro marchio.

Models

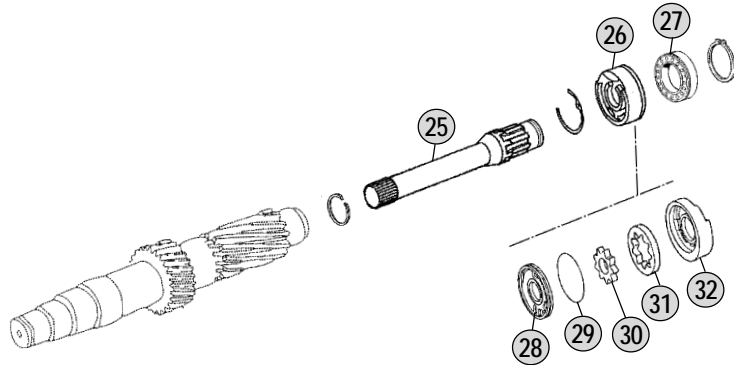
G280 - 16/11,72 - 0,69 **715.525**

Adattabile a : **MERCEDES**
Suitable To :



With retarder

Oil Pump Shaft & Oil Pump



Models
ACTROS MP2
(CH From 930.xxx To 934.xxx)

Models

G280 - 16/11,72 - 0,69 715.525

All original equipment manufacturers numbers, symbols and description used in this catalogue are for reference only, and it is not implied that any part listed is the product of these manufactures. Tutti i nostri particolari non sono originali ma con essi intercambiabili. I riferimenti originali, le figure, i modelli sono esposti a semplice titolo indicativo. La nostra produzione riporta il nostro marchio.

Fig.	CEI no.	Rif. MB	Description	Q.ty	Note				
1	190.337	946 260 3661	Planetary Carrier (Empty)	1	Empty	●			
1	190.338	945 260 4661	Planetary Carrier (Complete)	1	Complete	●			
2	188.181	945 269 0834	Oil Tube	1		●			
3	187.609	000914 006109	Stud 6x14 mm	5		●			
4	171.057	000 981 4186	Needle 5x39,8	125		●			
5	169.801	389 262 0162	Spacer	10		●			
6	169.803	389 262 1462	Thrust Washer	10		●			
7	198.886	655 260 0197	Repair Kit	1		●			
8	130.540	008 981 1325	Bearing 90x130x14	1		●			
9	123.230	945 262 0108	Crown Gear 85 T D.269 mm	1	ALT-1 pc.Fig.10+Fig.11+Fig.12	●			
10	123.232	945 262 0208	Crown Gear 85 T D.269-H 70mm	1	ALT-1 pc.Fig.9 (Crown Assy)	●			
10	123.313	945 262 0808	Crown Gear 85 T D.271-H 70mm	1	ALT-1 pc.Fig.9 (Crown Assy)	●			
11	111.209	389 262 0773	Lock Ring	1		●			
12	150.144	389 262 1425	Carrier Hub 85 T	1	ALT-1 pc.Fig.9 (Crown Assy)	●			
13	198.879	389 260 2036	Synchronizer Flange	1	(A)	●			
13	298.054	947 260 3036	Synchronizer Flange	1	(B)	●			
14	111.206	389 262 0293	Elastic Ring	2		●			
15	119.160	389 262 0537	Synchronizer Ring	2	(A)	●			
15	119.250	389 262 3337	Synchronizer Ring	2	(A) LONG LIFE	●			
15	119.224	947 260 0945	Synchronizer Ring	2	(B)	●			
15	119.298	CEI 119298	Synchronizer Ring	2	(B) LONG LIFE	●			
16	155.204	389 262 2035	Synchronizer Hub	1		●			
17	154.217	945 262 6623	Sliding Sleeve	1	(A)	●			
17	154.433	M945 262 6623	Sliding Sleeve	1	(A) LONG LIFE	●			
17	154.378	945 262 6923	Sliding Sleeve	1	(B)	●			
17	154.458	M945 262 6923	Sliding Sleeve	1	(B) LONG LIFE	●			
18	117.322	389 262 0251	Bush	1		●			
19	109.337	389 262 9234	Synchronizer Cone	1	(A) W/Rear Hous.389 261 1126	●			
19	109.408	945 262 3834	Synchronizer Cone	1	(B)	●			
20	109.342	389 264 0730	Synchronizer Cone W/RET.63 T	1	(A) With Retarder	●			
20	109.793	945 264 0520	Synchronizer Cone W/RET.63 T	1	(B)	●			
20	196.369	930 264 0320	Gear W/RET. 64 T	1	(B) With Retarder	●			
20	196.370	930 264 0420	Gear W/RET. 59 T	1	(B) With Retarder	●			
21	139.551	013 997 7247	Oil Seal 95x115x13	1		●			
21	139.557	015 997 6447	Oil Seal	1	For Model with TELMA Retarder	●			
22	139.552	013 997 7347	Oil Seal 95x115x13	1		●			
22	139.558	017 997 1247	Oil Seal	1	For Model with TELMA Retarder	●			
23	197.079	389 262 0445	Output Flange D.180 mm	1		●			
23	197.083	945 262 0045	Output Flange D.180 mm	1		●			
23	197.173	930 262 0045	Output Flange D.180 mm	1		●			
23	197.082	389 262 0645	Output Flange D.200 mm	1		●			
23	197.174	930 262 0145	Output Flange D.200 mm	1		●			
24	197.085	387 264 1945	Output Flange D.198 mm	1	For Model with TELMA Retarder	●			
24	197.207	387 264 2045	Output Flange D.198 mm	1	For Model with TELMA Retarder	●			
24	197.084	945 262 0445	Output Flange D.200 mm	1	For Model with TELMA Retarder	●			

Notes

- (A) Up to gearbox 366886
(B) From gearbox 366887

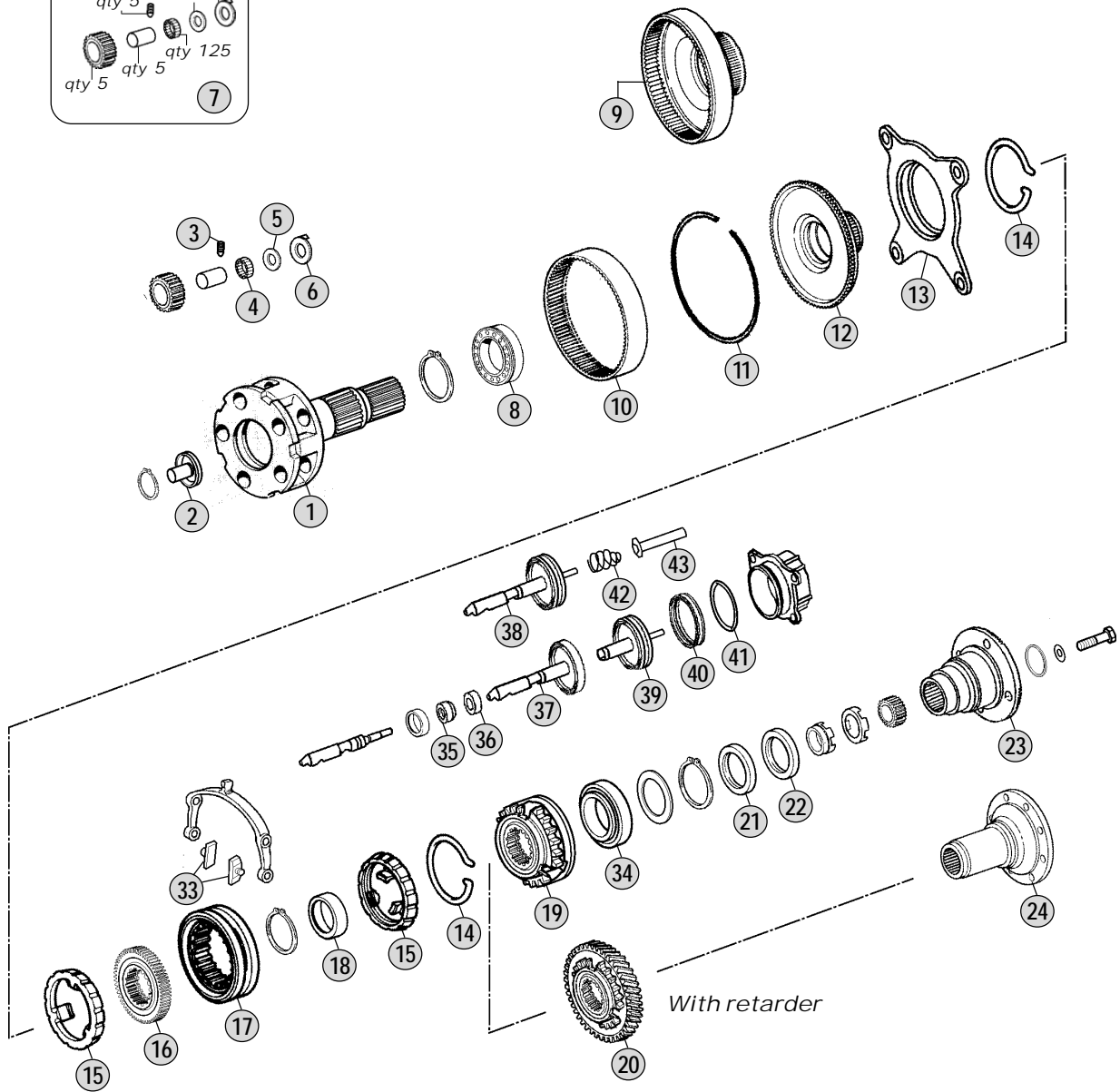
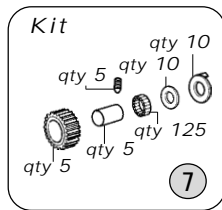
Date

04 / 2011

Table

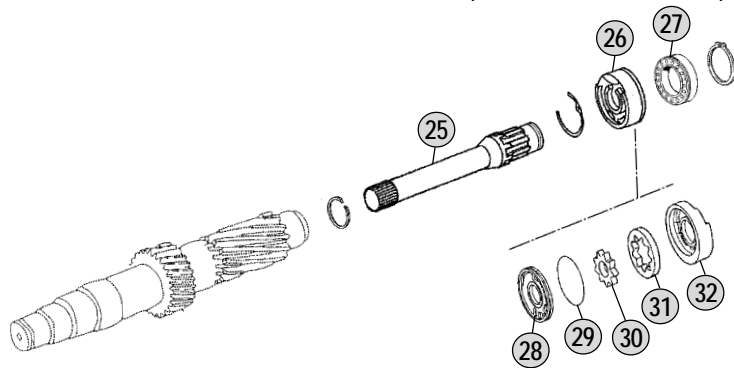
0385

Adattabile a : **MERCEDES**
Suitable To :



With retarder

Oil Pump Shaft & Oil Pump



Models
ACTROS MP2
(CH From 930.xxx To 934.xxx)

Models

G280 - 16/11,72 - 0,69 715.525

All original equipment manufacturers' numbers, symbols and description used in this catalogue are for reference only, and it is not implied that any part listed is the product of these manufactures. Tutti i nostri particolari non sono originali ma con essi intercambiabili. I riferimenti originali, le figure, i modelli sono esposti a semplice titolo indicativo. La nostra produzione riporta il nostro marchio.

Fig.	CEI no.	Rif. MB	Description	Q.ty	Note				
24	197.208	945 262 0545	Output Flange D.200 mm	1	For Model with TELMA Retarder	●			
25	101.123	389 269 1210	Oil Pump Shaft	1		●			
25	101.168	947 269 1010	Oil Pump Shaft	1		●			
25	101.169	947 269 1110	Oil Pump Shaft	1		●			
26	280.587	389 260 0690	Oil Pump	1	Old Type-Assembly	●			
27	130.538	004 981 9225	Bearing 45x75x16	1	With 101.123	●			
27	130.859	008 981 5425	Bearing	1	With 101.168/169	●			
28	189.607	389 269 2601	Oil Pump Cover	1	New Type-Disassembled	●			
29	111.208	029 997 5748	O Ring	1	New Type-Disassembled	●			
30	189.606	389 269 1406	Oil Pump Gear	1	New Type-Disassembled	●			
31	189.605	389 269 0706	Oil Pump Hub	1	New Type-Disassembled	●			
32	189.604	947 269 1001	Oil Pump Housing	1	New Type-Disassembled	●			
33	141.162	389 265 2449	Slide Fork	2	(A) BRASS	●			
33	141.219	M389 265 2449	Slide Fork	2	(A) IRON	●			
33	141.165	947 265 0349	Slide Fork	2	(B) BRASS	●			
33	141.221	M947 265 0349	Slide Fork	2	(B) IRON	●			
34	130.564	008 981 3025	Bearing 80x150x28	1		●			
34	130.563	007 981 8201	Bearing	1	For Model with TELMA Retarder	●			
35	139.834	000 267 0197	Oil Seal 22x32x8	1		●			
36	117.412	387 267 0650	Bush Th.8(34x22) mm	1		●			
37	132.062	930 260 2789	Cylinder	1		●			
38	132.072	945 267 2117	Cylinder	1		●			
39	132.066	389 267 1018	Cylinder	1		●			
40	139.817	024 997 8347	Oil Seal 77x90x17	1		●			
41	139.859	017 997 6545	Oil Seal	1		●			
42	156.204	008 993 0801	Spring	1		●			
43	188.242	000 543 5785	Oil Tube	1		●			
43	189.689	000 543 5485	Oil Tube	1		●			

Notes

(A) Up to gearbox 366886
(B) From gearbox 366887

Date

04 / 2011

Table

0385

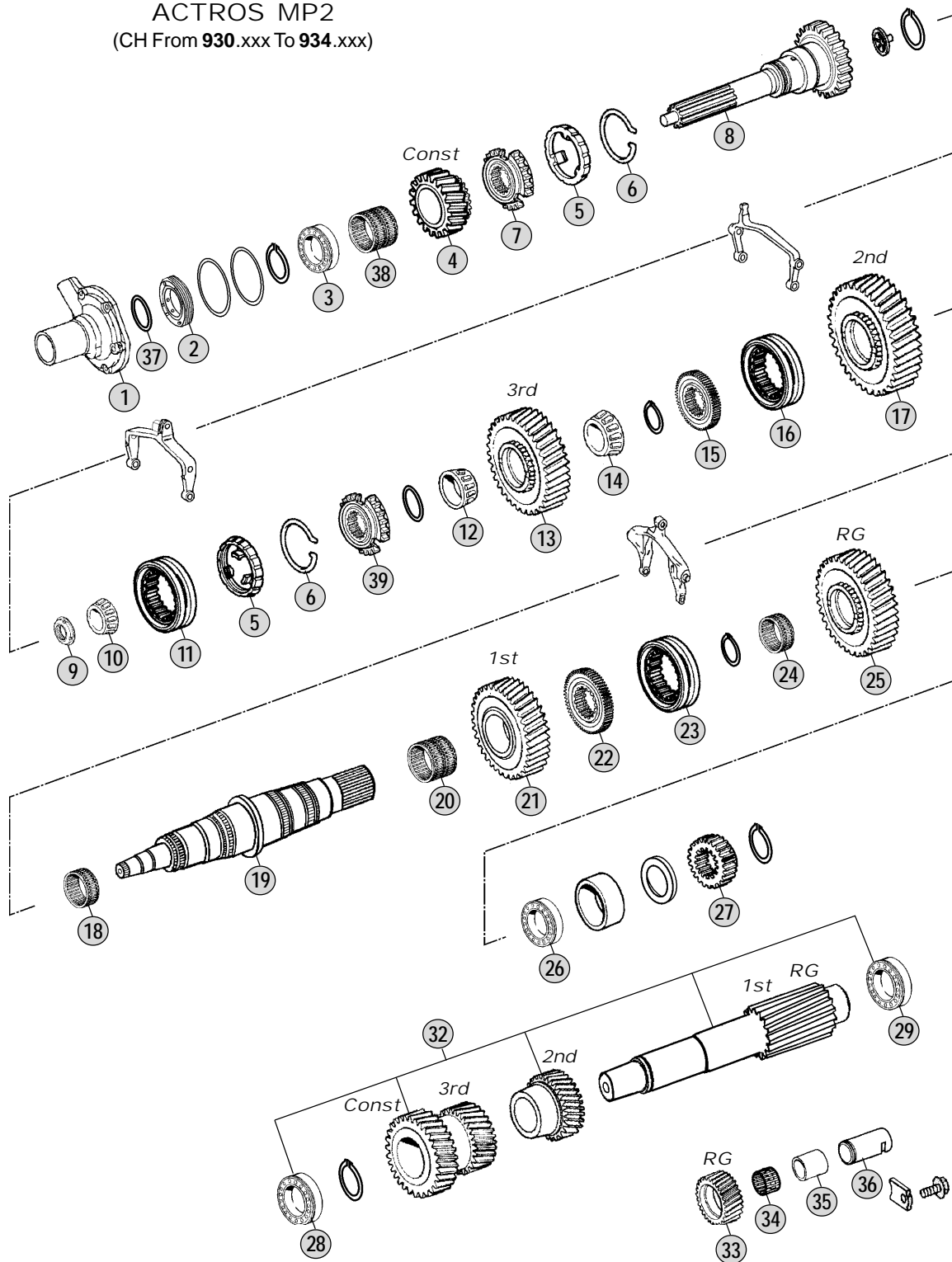
All original equipment manufacturers' numbers, symbols, pictures, models and description used in this catalogue are for reference only, and it is not implied that any part listed is the product of these manufacturers. Tutti i nostri particolari non sono originali ma con essi intercambiabili. I riferimenti originali, le figure, i modelli sono esposti a semplice titolo indicativo. La nostra produzione riporta il nostro marchio.

Adattabile a : **MERCEDES**
 Suitable To :

Modelli Cambio/ Gearbox Models
G281 (12 Speeds)

Models

ACTROS MP2
 (CH From 930.xxx To 934.xxx)



All original equipment manufacturers' numbers, symbols and description used in this catalogue are for reference only, and it is not implied that any part listed is the product of these manufactures. Tutti i nostri particolari non sono originali ma con essi intercambiabili. I riferimenti originali, le figure, i modelli sono esposti a semplice titolo indicativo. La nostra produzione riporta il nostro marchio.

Models

G281 - 12/14,93 - 1,00 **715.xxx**



Fig.	CEI no.	Rif. MB	Description	Q.ty	Note	G281-12/14,93 - 1,00				
1	135.134	945 261 1118	Front Cover	1		●				
2	139.555	389 261 0865	Diaphragm	1		●				
3	130.550	011 981 1305	Bearing 75x140x34,3	1		●				
4	146.717	930 262 0717	Constant Gear	1		●				
5	119.237	946 262 6137	Synchronizer Ring	2		●				
5	119.299	CEI 119299	Synchronizer Ring	2	LONG LIFE	●				
6	111.205	387 262 0893	Elastic Ring	2		●				
7	109.414	945 262 5434	Synchronizer Cone	1		●				
8	102.458	930 262 0403	Input Shaft 66 T	1		●				
9	187.676	945 990 0250	Nut M30x1,5	1		●				
10	130.556	014 981 1905	Bearing 39,6x77,7x40	1		●				
11	154.388	945 262 6523	Sliding Sleeve	1		●				
11	154.460	M945 262 6523	Sliding Sleeve	1	LONG LIFE	●				
12	130.560	017 981 5105	Needle Bearing 50x41,3	1		●				
13	146.691	930 262 3617	Gear 3rd Speed 31 T	1		●				
14	130.865	017 981 7105	Bearing 55x29,80	1		●				
15	157.734	945 262 3635	Synchronizer Hub	1		●				
16	154.438	930 262 0123	Sliding Sleeve	1		●				
17	244.031	930 262 0112	Gear 2nd Speed 38 T	1		●				
18	137.363	022 981 5810	Needle Cage	1		●				
19	103.234	930 262 0805	Main Shaft	1		●				
20	137.365	022 981 5910	Needle Cage	1		●				
21	244.032	930 262 0511	Gear 1st Speed 41 T	1		●				
22	157.734	945 262 3635	Synchronizer Hub	1		●				
23	154.438	930 262 0123	Sliding Sleeve	1		●				
24	137.362	022 981 5610	Needle Cage	1		●				
25	147.256	930 262 0033	Reverse Gear 45 T	1		●				
25	147.257	930 262 0133	Reverse Gear 45 T	1		●				
26	130.552	014 981 6105	Bearing 60x130x30	1		●				
27	157.605	945 262 0909	Sun Gear 25 T	1		●				
28	130.910	015 981 9005	Bearing 50,8x100x3	1		●				
29	130.911	017 981 2605	Bearing	1		●				
32	190.442	930 260 0024	Countershaft Assy	1	Assy	●				
32	190.445	930 260 0324	Countershaft Assy	1		●				
33	147.283	930 263 0031	Reverse Gear 24 T	1		●				
34	137.181	012 981 8910	Needle Cage K42x50x51ZW	1		●				
35	117.324	389 263 0850	Bush Th.18(74x60) mm	1		●				
36	107.174	976 263 0030	Reverse Shaft	1		●				
37	139.556	019 997 0547	Oil Seal 56x72x8	1		●				
38	137.361	022 981 5310	Needle Cage	1		●				
39	109.789	930 262 0034	Synchronizer Cone	1		●				

Notes

Date

04 / 2011

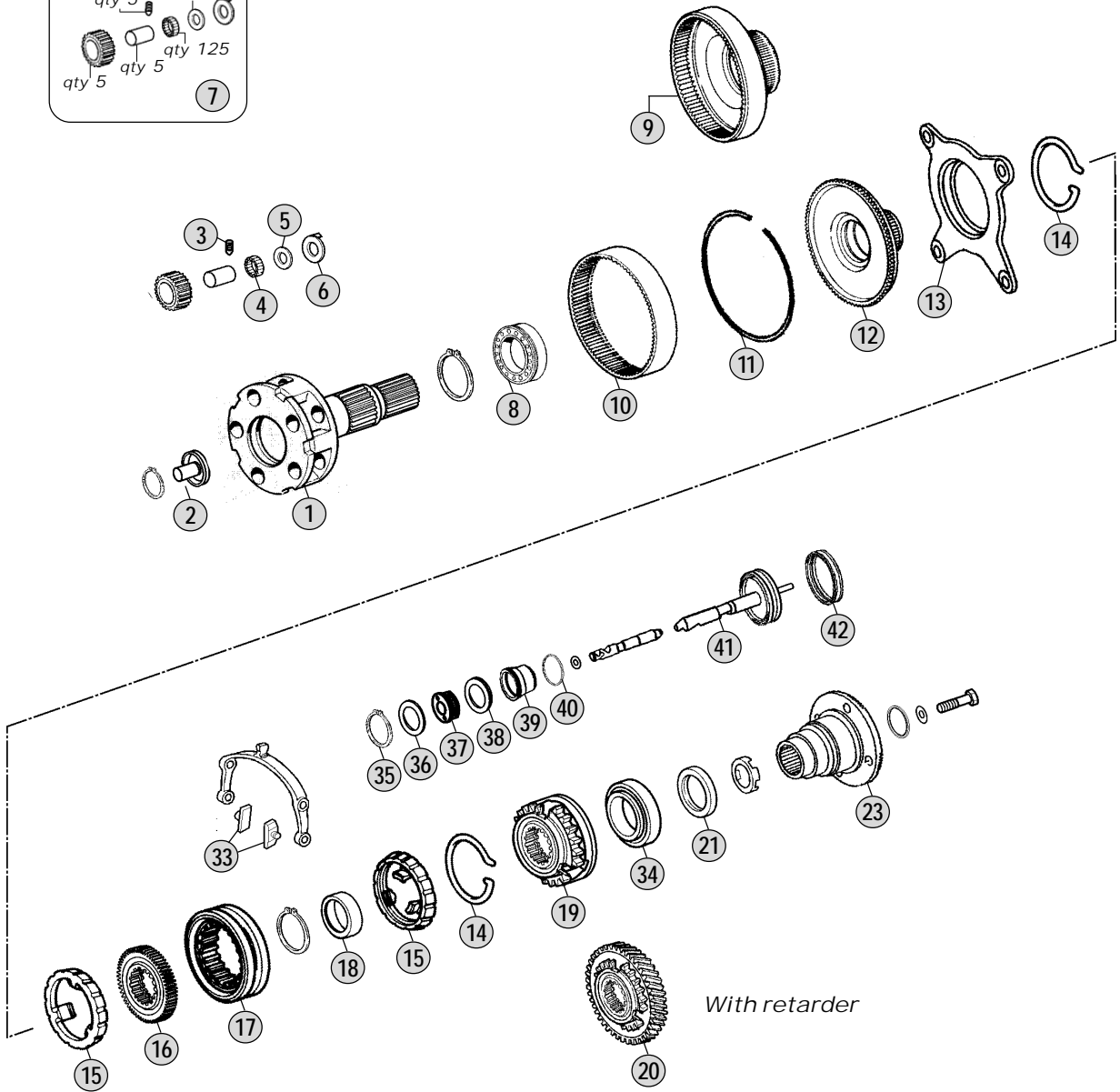
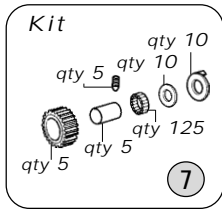
Table

0390

All original equipment manufacturers numbers, symbols, pictures, models and description used in this catalogue are for reference only, and it is not implied that any part listed is the product of these manufactures. Tutti i nostri particolari non sono originali ma con essi intercambiabili. I riferimenti originali, le figure, i modelli sono esposti a semplice titolo indicativo. La nostra produzione riporta il nostro marchio.

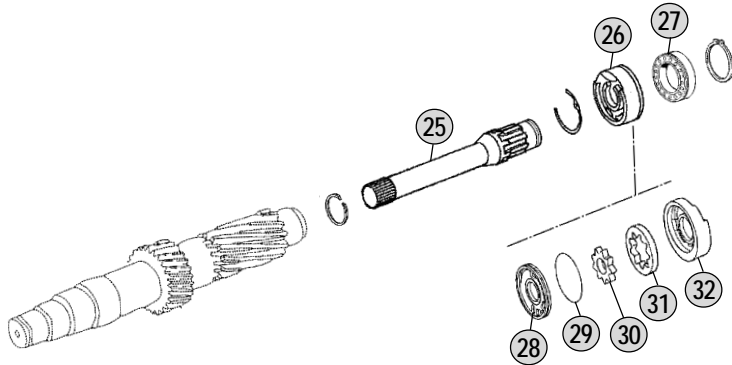
Adattabile a : **MERCEDES**
 Suitable To :

Modelli Cambio/ Gearbox Models
G281 (12 Speeds)



With retarder

Oil Pump Shaft & Oil Pump



Models
 ACTROS MP2
 (CH From 930.xxx To 934.xxx)

Models

G281 - 12/14,93 - 1,00 **715.xx**

All original equipment manufacturers' numbers, symbols and description used in this catalogue are for reference only, and it is not implied that any part listed is the product of these manufactures. Tutti i nostri particolari non sono originali ma con essi intercambiabili. I riferimenti originali, le figure, i modelli sono esposti a semplice titolo indicativo. La nostra produzione riporta il nostro marchio.

All original equipment manufacturers numbers, symbols, pictures, models and description used in this catalogue are for reference only, and it is not implied that any part listed is the product of these manufactures.
Tutti i nostri particolari non sono originali ma con essi intercambiabili. I riferimenti originali, le figure, i modelli sono esposti a semplice titolo indicativo. La nostra produzione riporta il nostro marchio.

Fig.	CEI no.	Rif. MB	Description	Q.ty	Note				
1	190.337	946 260 3661	Planetary Carrier (Empty)	1	Empty	●			
1	190.338	945 260 4661	Planetary Carrier (Complete)	1	Complete	●			
2	188.181	945 269 0834	Oil Tube	1		●			
3	187.609	000914 006109	Stud 6x14 mm	5		●			
4	171.057	000 981 4186	Needle 5x39,8	125		●			
5	169.801	389 262 0162	Spacer	10		●			
6	169.803	389 262 1462	Thrust Washer	10		●			
7	198.886	655 260 0197	Repair Kit	1		●			
8	130.540	008 981 1325	Bearing 90x130x14	1		●			
9	123.230	945 262 0108	Crown Gear 85 T D.269 mm	1	ALT-1 pc.Fig.10+Fig.11+Fig.12	●			
10	123.232	945 262 0208	Crown Gear 85 T D.269-H 70mm	1	ALT-1 pc.Fig.9 (Crown Assy)	●			
10	123.313	945 262 0808	Crown Gear 85 T D.271-H 70mm	1	ALT-1 pc.Fig.9 (Crown Assy)	●			
11	111.209	389 262 0773	Lock Ring	1		●			
12	150.144	389 262 1425	Carrier Hub 85 T	1	ALT-1 pc.Fig.9 (Crown Assy)	●			
13	298.054	947 260 3036	Synchronizer Flange	1		●			
14	111.206	389 262 0293	Elastic Ring	2		●			
15	119.224	947 260 0945	Synchronizer Ring	2		●			
15	119.298	CEI 119298	Synchronizer Ring	2	LONG LIFE	●			
16	155.204	389 262 2035	Synchronizer Hub	1		●			
17	154.378	945 262 6923	Sliding Sleeve	1		●			
17	154.458	M945 262 6923	Sliding Sleeve	1	LONG LIFE	●			
18	117.322	389 262 0251	Bush	1		●			
19	109.408	945 262 3834	Synchronizer Cone	1		●			
20	196.369	930 264 0320	Gear W/RET. 64 T	1	With retarder	●			
20	196.370	930 264 0420	Gear W/RET. 59 T	1	With Retarder	●			
21	139.814	014 997 5148	O Ring 5,3X72,4	1		●			
23	197.083	945 262 0045	Output Flange D.180 mm	1		●			
23	197.173	930 262 0045	Output Flange D.180 mm	1		●			
23	197.082	389 262 0645	Output Flange D.200 mm	1		●			
23	197.174	930 262 0145	Output Flange D.200 mm	1		●			
25	101.168	947 269 1010	Oil Pump Shaft	1		●			
25	101.169	947 269 1110	Oil Pump Shaft	1		●			
26	280.587	389 260 0690	Oil Pump	1	Old Type-Assembly	●			
27	130.859	008 981 5425	Bearing	1		●			
28	189.607	389 269 2601	Oil Pump Cover	1	New Type-Disassembled	●			
29	111.208	029 997 5748	O Ring	1	New Type-Disassembled	●			
30	189.606	389 269 1406	Oil Pump Gear	1	New Type-Disassembled	●			
31	189.605	389 269 0706	Oil Pump Hub	1	New Type-Disassembled	●			
32	189.604	947 269 1001	Oil Pump Housing	1	New Type-Disassembled	●			
33	141.165	947 265 0349	Slide Fork	2	BRASS	●			
33	141.221	M947 265 0349	Slide Fork	2	IRON	●			
34	130.564	008 981 3025	Bearing 80x150x28	1		●			
35	111.358	006 994 4241	Lock Ring	1		●			
36	269.245	389 262 3352	Spacer Th.2,50(64,7x50) mm	1		●			
36	269.246	389 262 3354	Spacer Th.1,10(64,7x50) mm	1		●			

Notes

Date

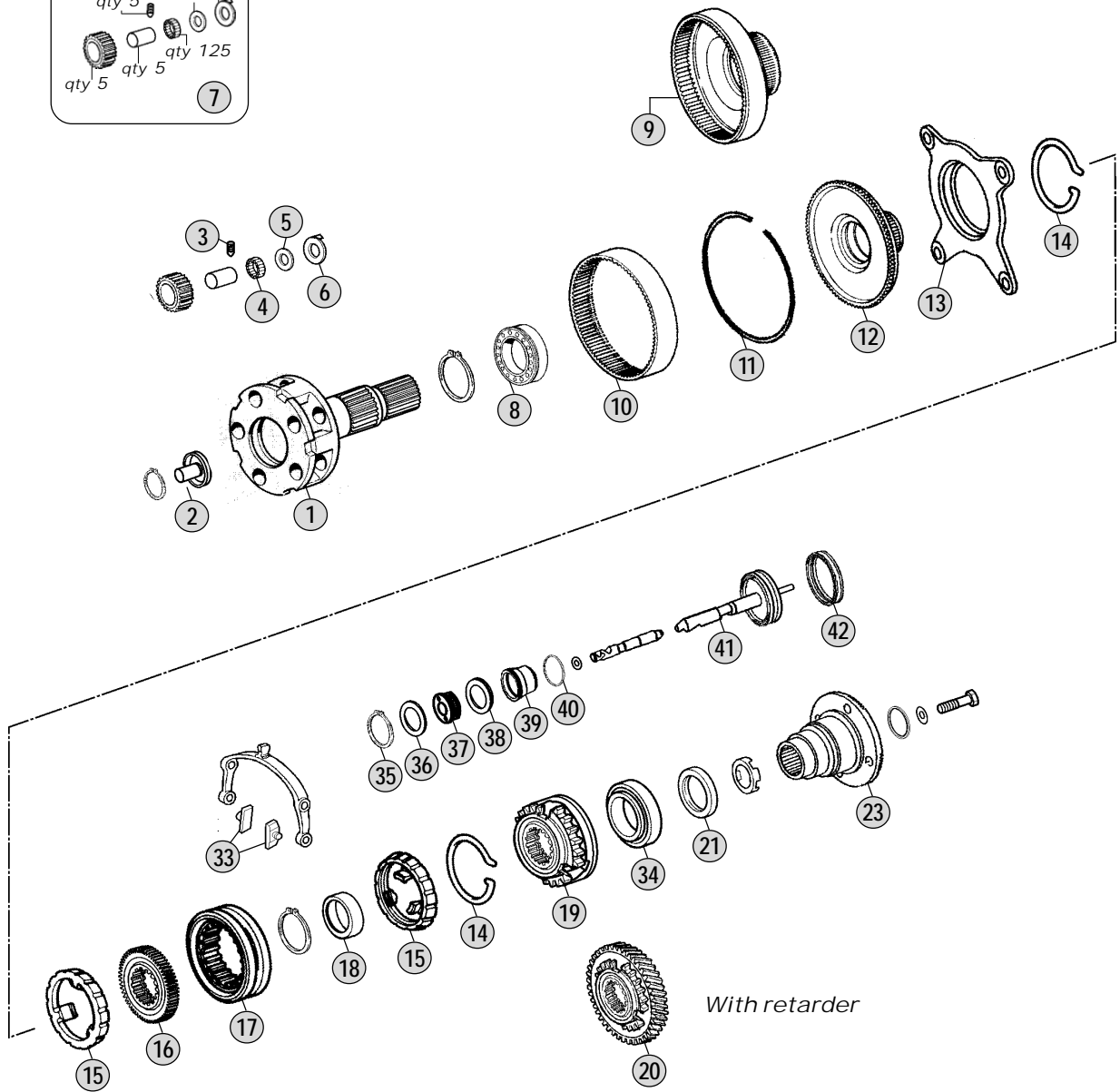
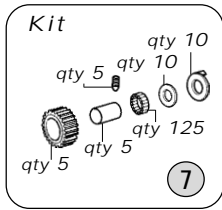
04 / 2011

Table

0395

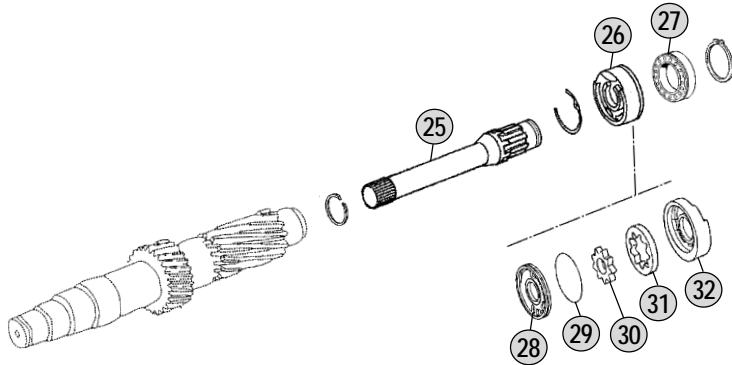
Adattabile a : **MERCEDES**
Suitable To :

Modelli Cambio/ Gearbox Models
G281 (12 Speeds)



With retarder

Oil Pump Shaft & Oil Pump



Models
ACTROS MP2
(CH From 930.xxx To 934.xxx)

Models

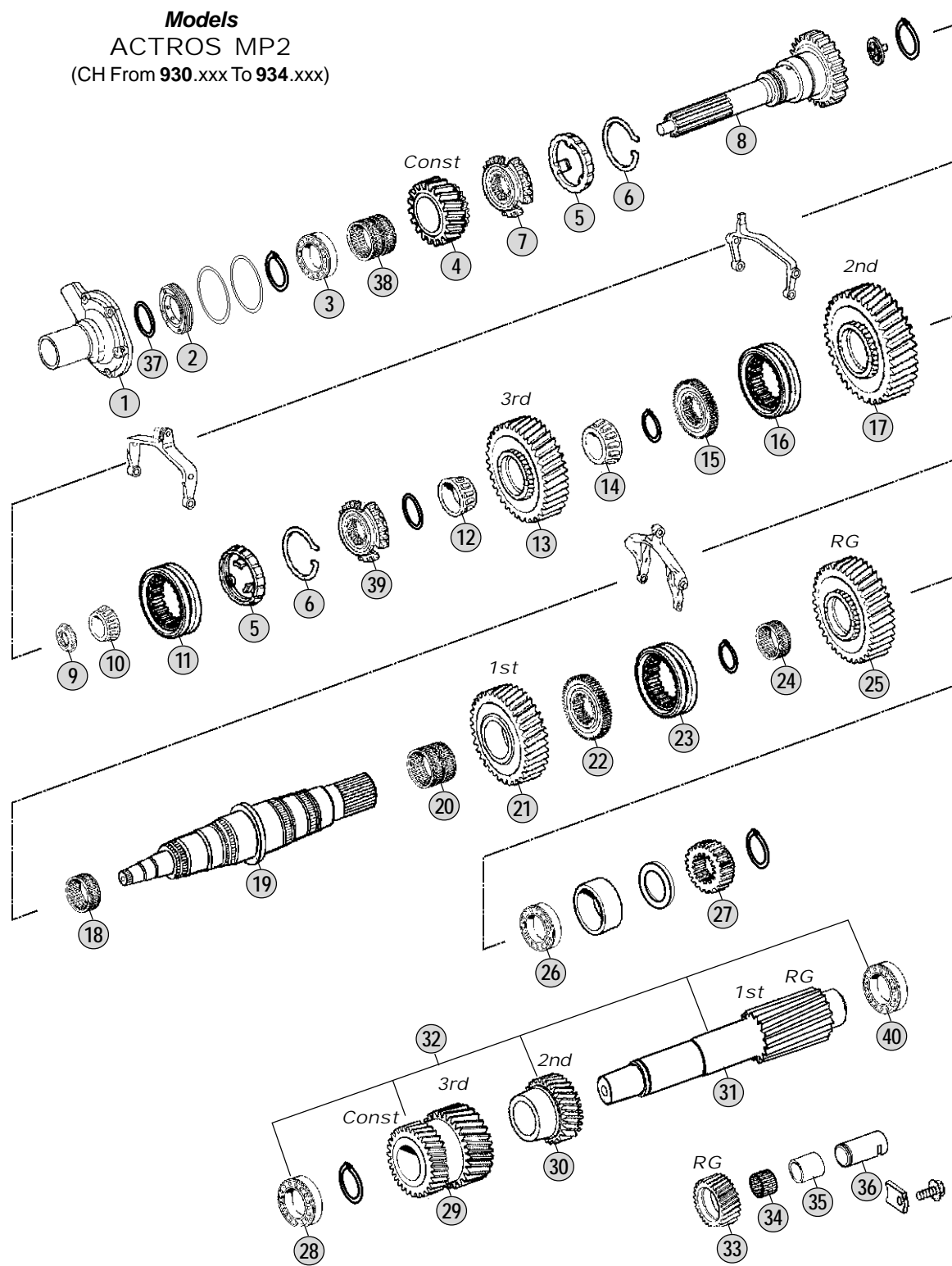
G281 - 12/14,93 - 1,00 715.xx

All original equipment manufacturers' numbers, symbols and description used in this catalogue are for reference only, and it is not implied that any part listed is the product of these manufactures. Tutti i nostri particolari non sono originali ma con essi intercambiabili. I riferimenti originali, le figure, i modelli sono esposti a semplice titolo indicativo. La nostra produzione riporta il nostro marchio.



Adattabile a : **MERCEDES**
 Suitable To :

Modelli Cambio/ Gearbox Models
G330 (12 Speeds)



All original equipment manufacturers' numbers, symbols and description used in this catalogue are for reference only, and it is not implied that any part listed is the product of these manufactures. Tutti i nostri particolari non sono originali ma con essi intercambiabili. I riferimenti originali, le figure, i modelli sono esposti a semplice titolo indicativo. La nostra produzione riporta il nostro marchio.

Models

G330 - 12/11,63 - 0,77 715.380

Fig.	CEI no.	Rif. MB	Description	Q.ty	Note	G330-12/11,63-0,77				
1	135.134	945 261 1118	Front Cover	1		●				
2	139.555	389 261 0865	Diaphragm	1		●				
3	130.550	011 981 1305	Bearing 75x140x34,3	1		●				
4	146.690	930 262 1717	Constant Gear 40 T	1		●				
5	119.237	946 262 6137	Synchronizer Ring	2		●				
5	119.299	CEI 119299	Synchronizer Ring	2	LONG LIFE	●				
6	111.205	387 262 0893	Elastic Ring	2		●				
7	109.414	945 262 5434	Synchronizer Cone	1		●				
8	102.458	930 262 0403	Input Shaft 66 T	1		●				
9	187.676	945 990 0250	Nut M30x1,5	1		●				
10	130.556	014 981 1905	Bearing 39,6x77,7x40	1		●				
11	154.388	945 262 6523	Sliding Sleeve	1		●				
11	154.460	M945 262 6523	Sliding Sleeve	1	LONG LIFE	●				
12	130.560	017 981 5105	Needle Bearing 50x41,3	1		●				
13	146.691	930 262 3617	Gear 3rd Speed 31 T	1		●				
14	130.865	017 981 7105	Bearing 55x29,80	1		●				
15	157.734	945 262 3635	Synchronizer Hub	1		●				
16	154.438	930 262 0123	Sliding Sleeve	1		●				
17	244.031	930 262 0112	Gear 2nd Speed 38 T	1		●				
18	137.363	022 981 5810	Needle Cage	1		●				
19	103.234	930 262 0805	Main Shaft	1		●				
20	137.365	022 981 5910	Needle Cage	1		●				
21	244.032	930 262 0511	Gear 1st Speed 41 T	1		●				
22	157.734	945 262 3635	Synchronizer Hub	1		●				
23	154.438	930 262 0123	Sliding Sleeve	1		●				
24	137.362	022 981 5610	Needle Cage	1		●				
25	147.256	930 262 0033	Reverse Gear 45 T	1		●				
25	147.257	930 262 0133	Reverse Gear 45 T	1		●				
26	130.552	014 981 6105	Bearing 60x130x30	1		●				
27	157.605	945 262 0909	Sun Gear 25 T	1		●				
28	130.910	015 981 9005	Bearing 50,8x100x3	1		●				
29	146.722	930 263 1910	Double Gear 30/30 T	1	For 190.443	●				
30	146.723	930 263 0112	Constant Gear 23 T	1	For 190.443	●				
31	105.258	CEI 105258	Countershaft 15/15 T	1	For 190.443	●				
32	190.443	930 260 0124	Countershaft Assy 30/30/23/15/15 T	1	Assy	●				
32	190.444	930 260 0424	Countershaft Assy	1	Assy	●				
33	147.283	930 263 0031	Reverse Gear 24 T	1		●				
34	137.181	012 981 8910	Needle Cage K42x50x51ZW	1		●				
35	117.324	389 263 0850	Bush Th.18(74x60) mm	1		●				
36	107.174	976 263 0030	Reverse Shaft	1		●				
37	139.556	019 997 0547	Oil Seal 56x72x8	1		●				
38	137.361	022 981 5310	Needle Cage	1		●				
39	109.789	930 262 0034	Synchronizer Cone	1		●				
40	130.911	017 981 2605	Bearing	1		●				

Notes

Date

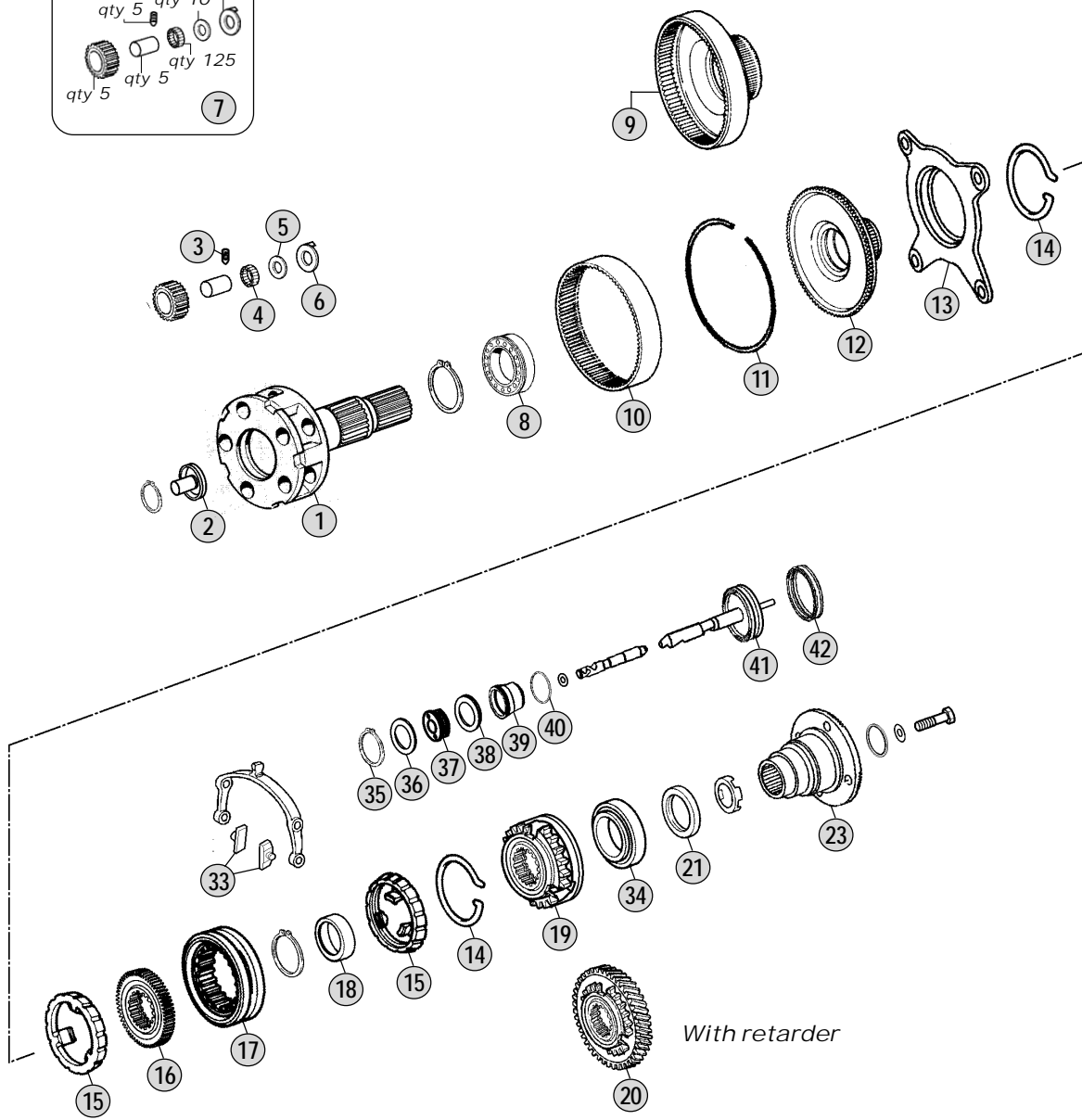
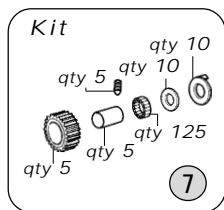
04/ 2011

Table

0400

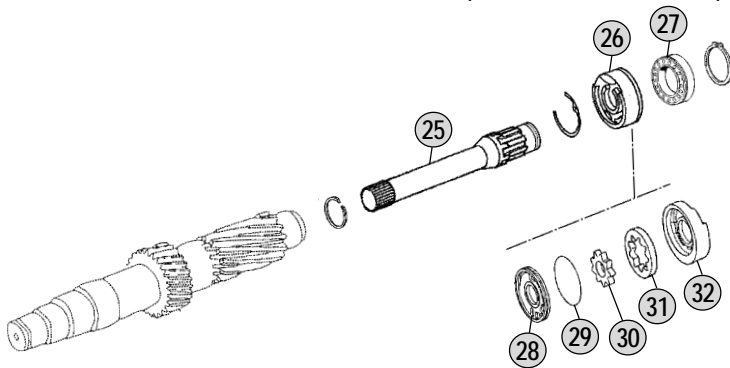
All original equipment manufacturers numbers, symbols, pictures, models and description used in this catalogue are for reference only, and it is not implied that any part listed is the product of these manufactures.
Tutti i nostri particolari non sono originali ma con essi intercambiabili. I riferimenti originali, le figure, i modelli sono esposti a semplice titolo indicativo. La nostra produzione riporta il nostro marchio.

Adattabile a : **MERCEDES**
Suitable To :



With retarder

Oil Pump Shaft & Oil Pump



Models
ACTROS MP2
(CH From 930.xxx To 934.xxx)

All original equipment manufacturers' numbers, symbols and description used in this catalogue are for reference only, and it is not implied that any part listed is the product of these manufactures. Tutti i nostri particolari non sono originali ma con essi intercambiabili. I riferimenti originali, le figure, i modelli sono esposti a semplice titolo indicativo. La nostra produzione riporta il nostro marchio.

Models

G330 - 12/11,63 - 0,77 715.380

Fig.	CEI no.	Rif. MB	Description	Q.ty	Note	G330-12/11,63-0,77				
1	190.337	946 260 3661	Planetary Carrier (Empty)	1	Empty	●				
1	190.338	945 260 4661	Planetary Carrier (Complete)	1	Complete	●				
2	188.181	945 269 0834	Oil Tube	1		●				
3	187.609	000914 006109	Stud 6x14 mm	5		●				
4	171.057	000 981 4186	Needle 5x39,8	125		●				
5	169.801	389 262 0162	Spacer	10		●				
6	169.803	389 262 1462	Thrust Washer	10		●				
7	198.886	655 260 0197	Repair Kit	1		●				
8	130.540	008 981 1325	Bearing 90x130x14	1		●				
9	123.230	945 262 0108	Crown Gear 85 T D.269 mm	1	ALT-1 pc.Fig.10+Fig.11+Fig.12	●				
10	123.232	945 262 0208	Crown Gear 85 T D.269-H 70mm	1	ALT-1 pc.Fig.9 (Crown Assy)	●				
10	123.313	945 262 0808	Crown Gear 85 T D.271-H 70mm	1	ALT-1 pc.Fig.9 (Crown Assy)	●				
11	111.209	389 262 0773	Lock Ring	1		●				
12	150.144	389 262 1425	Carrier Hub 85 T	1	ALT-1 pc.Fig.9 (Crown Assy)	●				
13	298.054	947 260 3036	Synchronizer Flange	1		●				
14	111.206	389 262 0293	Elastic Ring	2		●				
15	119.224	947 260 0945	Synchronizer Ring	2		●				
15	119.298	CEI 119298	Synchronizer Ring	2	LONG LIFE	●				
16	155.204	389 262 2035	Synchronizer Hub	1		●				
17	154.378	945 262 6923	Sliding Sleeve	1		●				
17	154.458	M945 262 6923	Sliding Sleeve	1	LONG LIFE	●				
18	117.322	389 262 0251	Bush	1		●				
19	109.408	945 262 3834	Synchronizer Cone	1		●				
20	196.369	930 264 0320	Gear W/RET. 64 T	1	With retarder	●				
20	196.370	930 264 0420	Gear W/RET. 59 T	1	With Retarder	●				
21	139.814	014 997 5148	O Ring 5,3X72,4	1		●				
23	197.083	945 262 0045	Output Flange D.180 mm	1		●				
23	197.173	930 262 0045	Output Flange D.180 mm	1		●				
23	197.082	389 262 0645	Output Flange D.200 mm	1		●				
23	197.174	930 262 0145	Output Flange D.200 mm	1		●				
25	101.168	947 269 1010	Oil Pump Shaft	1		●				
25	101.169	947 269 1110	Oil Pump Shaft	1		●				
26	280.587	389 260 0690	Oil Pump	1	Old Type-Assembly	●				
27	130.859	008 981 5425	Bearing	1		●				
28	189.607	389 269 2601	Oil Pump Cover	1	New Type-Disassembled	●				
29	111.208	029 997 5748	O Ring	1	New Type-Disassembled	●				
30	189.606	389 269 1406	Oil Pump Gear	1	New Type-Disassembled	●				
31	189.605	389 269 0706	Oil Pump Hub	1	New Type-Disassembled	●				
32	189.604	947 269 1001	Oil Pump Housing	1	New Type-Disassembled	●				
33	141.165	947 265 0349	Slide Fork	2	BRASS	●				
33	141.221	M947 265 0349	Slide Fork	2	IRON	●				
34	130.564	008 981 3025	Bearing 80x150x28	1		●				
35	111.358	006 994 4241	Lock Ring	1		●				
36	269.245	389 262 3352	Spacer Th.2,50(64,7x50) mm	1		●				
36	269.246	389 262 3354	Spacer Th.1,10(64,7x50) mm	1		●				

Notes

Date

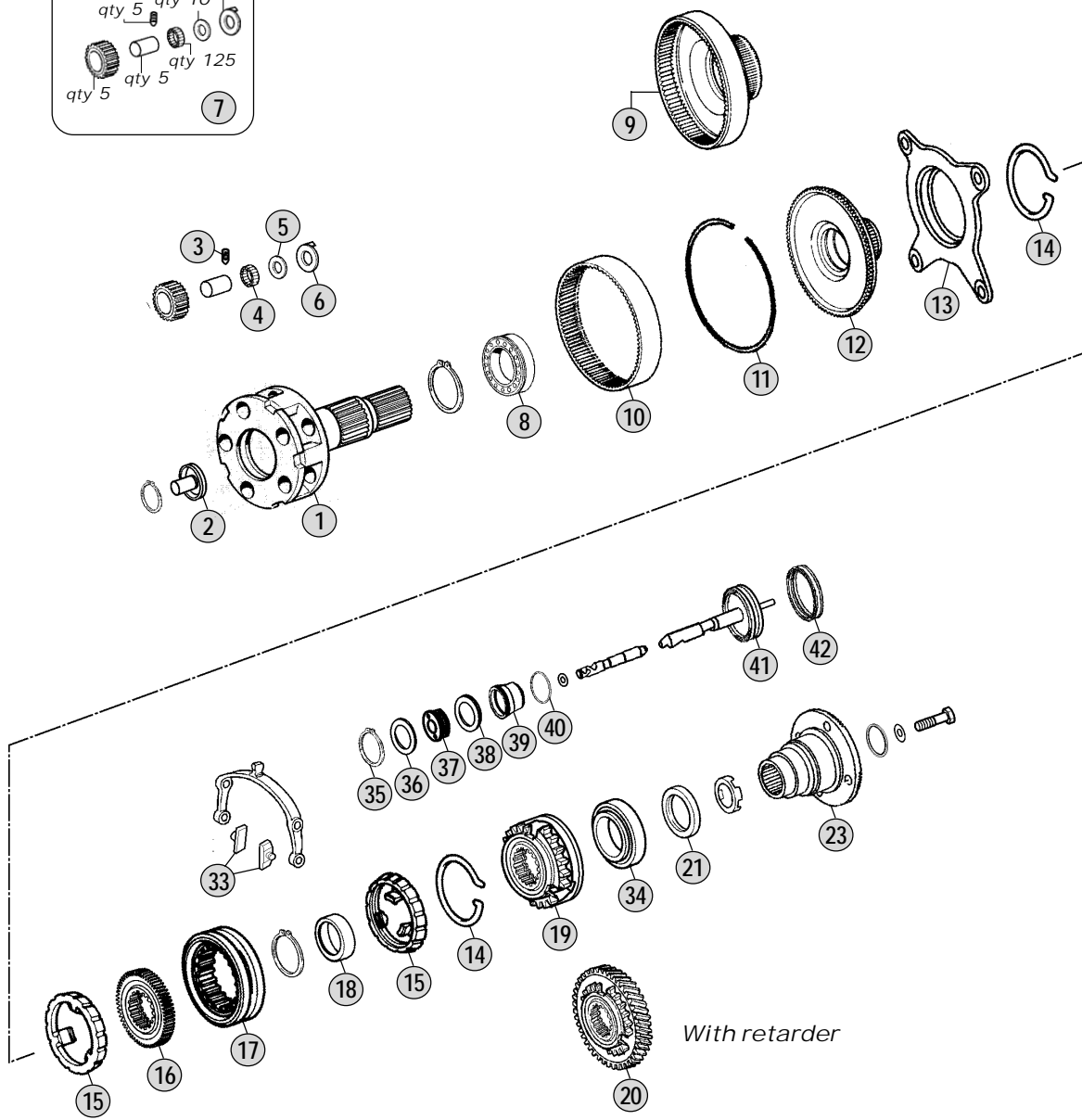
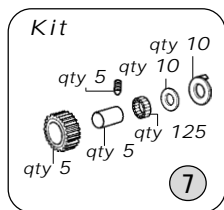
04 / 2011

Table

0405

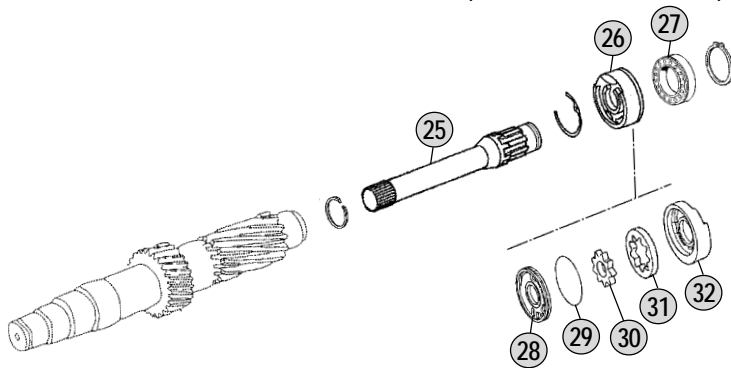
Adattabile a : **MERCEDES**
 Suitable To :

Modelli Cambio/ Gearbox Models
G330 (12 Speeds)



With retarder

Oil Pump Shaft & Oil Pump



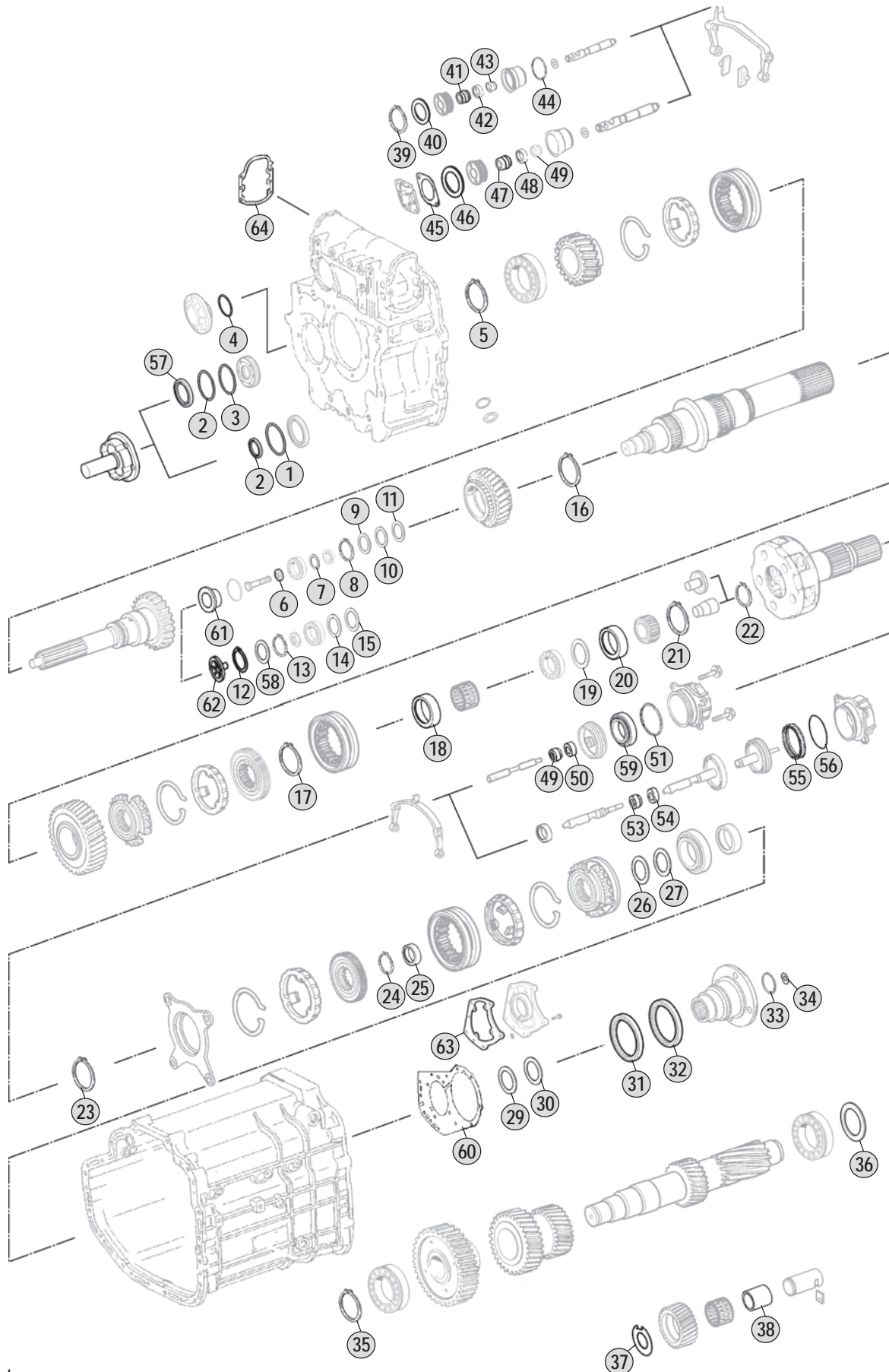
Models
 ACTROS MP2
 (CH From 930.xxx To 934.xxx)

Models

G330 - 12/11,63 - 0,77 715.380

All original equipment manufacturers' numbers, symbols and description used in this catalogue are for reference only, and it is not implied that any part listed is the product of these manufactures. Tutti i nostri particolari non sono originali ma con essi intercambiabili. I riferimenti originali, le figure, i modelli sono esposti a semplice titolo indicativo. La nostra produzione riporta il nostro marchio.



Adattabile a : **MERCEDES**
Suitable To :**Rasamenti / Washers****Models**

G125 - G135 Models SK

G155 - G180 - G200 Models SK

G210 - G240 - G260 Models SK - AXOR - ACTROS

G211 - G231 Models MAXI-ATEGO - AXOR - ACTROS

All original equipment manufacturers' numbers, symbols, pictures, models and description used in this catalogue are for reference only, and it is not implied that any part listed is the product of these manufacturers.
Tutti i nostri particolari non sono originali ma con essi intercambiabili. I riferimenti originali, le figure, i modelli sono esposti a semplice titolo indicativo. La nostra produzione riporta il nostro marchio.

Fig.	CEI no.	Rif. MB	Description	Q.ty	Note	G125-G135	G155-G180-G200	G210-G240-G260	G211-G231
1	269.258	389 262 4152	Spacer Th.0,10(139,5x125,5) mm	1		●			
1	269.239	389 262 3055	Spacer Th.0,25(139,5x120,5) mm	1			●	●	
1	269.524	389 262 3155	Spacer Th.0,28(139,5x120,5) mm	1			●	●	
1	269.525	389 262 3255	Spacer Th.0,31(139,5x120,5) mm	1			●	●	
1	269.526	389 262 3355	Spacer Th.0,34(139,5x120,5) mm	1			●	●	
1	269.527	389 262 3455	Spacer Th.0,37(139,5x120,5) mm	1			●	●	
1	269.250	389 262 3555	Spacer Th.0,40(139,5x120,5) mm	1			●	●	
1	269.260	389 262 4452	Spacer Th.0,40(139,5x125,5) mm	1		●	●		
1	269.528	389 262 3655	Spacer Th.0,43(139,5x120,5) mm	1			●	●	
1	269.406	389 262 1954	Spacer Th.0,45(139,5x125,5) mm	1		●	●		
1	269.529	389 262 3755	Spacer Th.0,46(139,5x120,5) mm	1			●	●	
1	269.530	389 262 3855	Spacer Th.0,49(139,5x120,5) mm	1			●	●	
1	269.228	389 262 2054	Spacer Th.0,50(139,5x125,5) mm	1		●	●		
1	269.407	389 262 2154	Spacer Th.0,55 (139,5x125,5) mm	1		●	●		
1	269.531	389 262 3955	Spacer Th.0,52(139,5x120,5) mm	1			●	●	
1	269.256	389 262 4055	Spacer Th.0,55(139,5x120,5) mm	1			●	●	
1	269.532	389 262 4155	Spacer Th.0,58(139,5x120,5) mm	1			●	●	
1	269.229	389 262 2254	Spacer Th.0,60(139,5x125,5) mm	1		●	●		
1	269.546	389 262 4255	Spacer Th.0,61 (139,5x120,5) mm	1			●	●	
1	269.533	389 262 4355	Spacer Th.0,64(139,5x120,5) mm	1			●	●	
1	269.408	389 262 2354	Spacer Th.0,65 (139,5x125,5) mm	1		●	●		
1	269.547	389 262 4455	Spacer Th.0,67(139,5x120,5) mm	1			●	●	
1	269.548	389 262 4555	Spacer Th.0,70(139,5x120,5) mm	1			●	●	
1	269.231	389 262 2454	Spacer Th.0,70(139,5x125,5) mm	1		●	●		
1	269.549	389 262 4655	Spacer Th.0,73(139,5x120,5) mm	1			●	●	
1	269.409	389 262 2554	Spacer Th.0,75 (139,5x125,5) mm	1		●	●		
1	269.550	389 262 4755	Spacer Th.0,76(139,5x120,5) mm	1			●	●	
1	269.551	389 262 4855	Spacer Th.0,79(139,5x120,5) mm	1			●	●	
1	269.552	389 262 4955	Spacer Th.0,82(139,5x120,5) mm	1			●	●	
1	269.553	389 262 5055	Spacer Th.0,85(139,5x120,5) mm	1			●	●	
1	269.554	389 262 5155	Spacer Th.0,88(139,5x120,5) mm	1			●	●	
1	269.555	389 262 5255	Spacer Th.0,91(139,5x120,5) mm	1			●	●	
1	269.556	389 262 5355	Spacer Th.0,94(139,5x120,5) mm	1				●	
1	269.557	389 262 5455	Spacer Th.0,97(139,5x120,5) mm	1				●	
1	269.558	389 262 5555	Spacer Th.1,00(139,5x120,5) mm	1				●	
1	269.559	389 262 5655	Spacer Th.1,03(139,5x120,5) mm	1				●	
1	269.560	389 262 5755	Spacer Th.1,06(139,5x120,5) mm	1				●	
1	269.561	389 262 5855	Spacer Th.1,09(139,5x120,5) mm	1				●	
1	269.562	389 262 5955	Spacer Th.1,12(139,5x120,5) mm	1				●	
1	269.522	389 262 2654	Spacer Th.2,00 (139,5x125,5) mm	1		●	●		
1	269.410	389 262 7755	Spacer Th.4,84 mm	1		●			
1	269.411	389 262 7855	Spacer Th.4,87 mm	1		●			
1	269.412	389 262 7955	Spacer Th.4,90 mm	1		●			
1	269.413	389 262 8055	Spacer Th.4,93 mm	1		●			
1	269.414	389 262 8155	Spacer Th.4,96 mm	1		●			

Notes

Date

04 / 2011

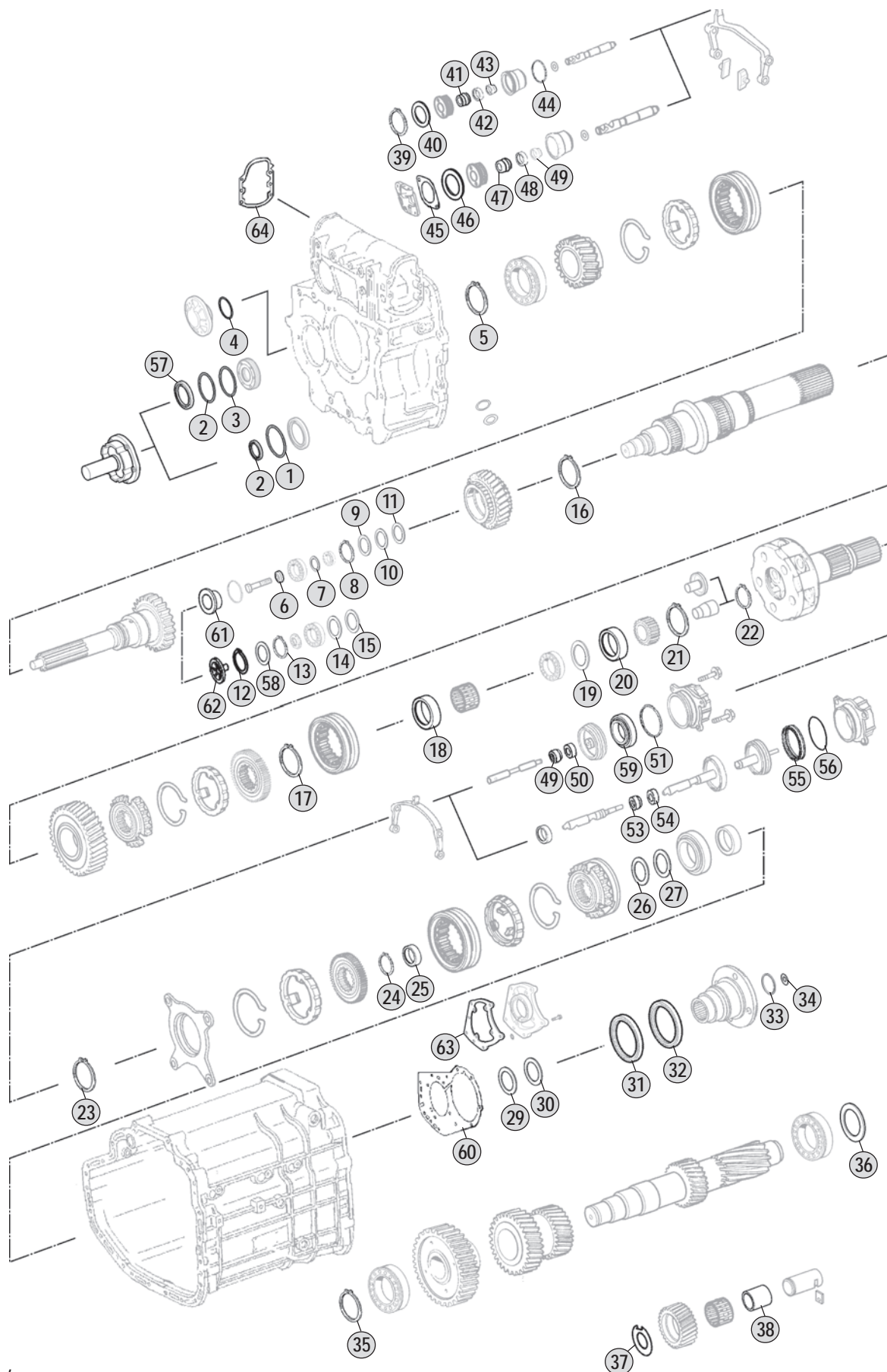
Table

0410

Rasamenti
Washers

Adattabile a : **MERCEDES**

Rasamenti / Washers

**Models**

G125 - G135 Models SK

G155 - G180 - G200 Models SK

G210 - G240 - G260 Models SK - AXOR - ACTROS

G211 - G231 Models MAXI-ATEGO - AXOR - ACTROS

All original equipment manufacturers' numbers, symbols, pictures, models and description used in this catalogue are for reference only, and it is not implied that any part listed is the product of these manufactures.
 Tutti i nostri particolari non sono originali ma con essi intercambiabili. I riferimenti originali, le figure, i modelli sono esposti a semplice titolo indicativo. La nostra produzione riporta il nostro marchio.

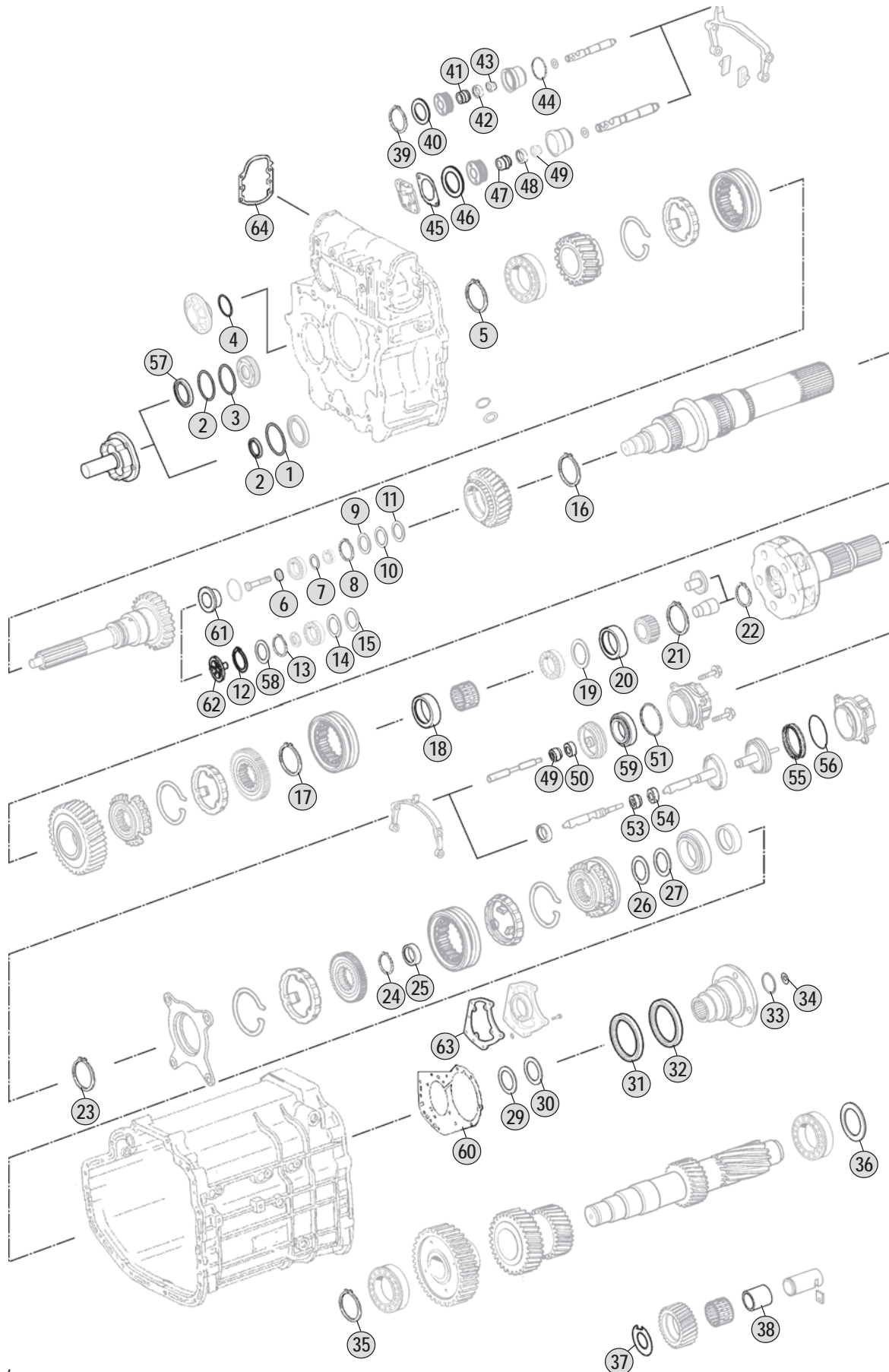
Fig.	CEI no.	Rif. MB	Description	Q.ty	Note	G125-G135	G155-G180-G200	G210-G240-G260	G271-G231
1	269.415	389 262 8255	Spacer Th.4,99 mm	1		●			
1	269.416	389 262 8355	Spacer Th.5,02 mm	1		●			
1	269.417	389 262 8455	Spacer Th.5,05 mm	1		●			
1	269.418	389 262 8555	Spacer Th.5,09 mm	1		●			
1	269.419	389 262 8655	Spacer Th.5,11 mm	1		●			
1	269.420	389 262 8855	Spacer Th.5,17 mm	1		●			
1	269.421	389 262 9055	Spacer Th.5,23 mm	1		●			
2	139.548	015 997 0347	Seal Ring Th.8(64x45) mm	1		●			
2	139.549	024 997 3047	Seal Ring 52x68x8 mm	1			●		
2	139.592	028 997 2248	Ring D.139,5x145,5 mm	1			●	●	
2	139.903	020 997 7848	Ring D.139,5x145,5 mm	1			●	●	
3	269.289	406 337 0252	Spacer Th.0,10(99,5x85) mm	1			●		
3	269.290	406 337 0352	Spacer Th.0,20(99,5x85) mm	1			●		
3	269.422	389 263 3252	Spacer Th.0,40(99,5x85) mm	1			●		
3	269.430	389 263 5252	Spacer Th.0,37(99,5x85) mm	1			●		
3	269.430	389 263 5252	Spacer Th.0,37(99,5x85) mm	1			●		
3	269.285	389 263 5352	Spacer Th.0,40(99,5x85) mm	1			●		
3	269.431	389 263 5452	Spacer Th.0,43(99,5x85) mm	1			●		
3	269.432	389 263 5552	Spacer Th.0,46(99,5x85) mm	1			●		
3	269.433	389 263 5652	Spacer Th.0,49(99,5x85) mm	1			●		
3	269.434	389 263 5752	Spacer Th.0,52(99,5x85) mm	1			●		
3	269.435	389 263 5852	Spacer Th.0,55(99,5x85) mm	1			●		
3	269.436	389 263 5952	Spacer Th.0,58(99,5x85) mm	1			●		
3	269.437	389 263 6052	Spacer Th.0,61(99,5x85) mm	1			●		
3	269.438	389 263 6152	Spacer Th.0,64(99,5x85) mm	1			●		
3	269.439	389 263 6252	Spacer Th.0,67(99,5x85) mm	1			●		
3	269.286	389 263 6352	Spacer Th.0,70(99,5x85) mm	1			●		
3	269.440	389 263 6452	Spacer Th.0,73(99,5x85) mm	1			●		
3	269.458	389 263 6552	Spacer Th.0,76(99,5x85) mm	1			●		
3	269.459	389 263 6652	Spacer Th.0,79(99,5x85) mm	1			●		
3	269.460	389 263 6752	Spacer Th.0,82(99,5x85) mm	1			●		
3	269.461	389 263 6852	Spacer Th.0,85(99,5x85) mm	1			●		
3	269.462	389 263 6952	Spacer Th.0,88(99,5x85) mm	1			●		
3	269.463	389 263 7052	Spacer Th.0,91(99,5x85) mm	1			●		
3	269.464	389 263 7152	Spacer Th.0,94(99,5x85) mm	1			●		
3	269.465	389 263 7252	Spacer Th.0,97(99,5x85) mm	1			●		
3	269.287	389 263 7352	Spacer Th.1,00(99,5x85) mm	1			●		
3	269.466	389 263 7452	Spacer Th.1,03(99,5x85) mm	1			●		
3	269.467	389 263 7552	Spacer Th.1,06(99,5x85) mm	1			●		
3	269.468	389 263 7652	Spacer Th.1,09(99,5x85) mm	1			●		
3	269.469	389 263 7752	Spacer Th.1,12(99,5x85) mm	1			●		
3	269.470	389 263 7852	Spacer Th.1,15(99,5x85) mm	1			●		
3	269.471	389 263 7952	Spacer Th.1,18(99,5x85) mm	1			●		
3	269.472	389 263 8052	Spacer Th.1,21(99,5x85) mm	1			●		
3	269.473	389 263 8152	Spacer Th.1,24(99,5x85) mm	1			●		

Notes

Date

04 / 2011

Table

Adattabile a : **MERCEDES**
Suitable To :**Rasamenti / Washers****Models**

G125 - G135 Models SK

G155 - G180 - G200 Models SK

G210 - G240 - G260 Models SK - AXOR - ACTROS

G211 - G231 Models MAXI-ATEGO - AXOR - ACTROS

All original equipment manufacturers' numbers, symbols, pictures, models and description used in this catalogue are for reference only, and it is not implied that any part listed is the product of these manufactures.
Tutti i nostri particolari non sono originali ma con essi intercambiabili. I riferimenti originali, le figure, i modelli sono esposti a semplice titolo indicativo. La nostra produzione riporta il nostro marchio.

Fig.	CEI no.	Rif. MB	Description	Q.ty	Note	G125-G135	G155-G180-G200	G210-G240-G260	G271-G231
3	269.474	389 263 8252	Spacer Th.1,27(99,5x85) mm	1			●		
3	269.288	389 263 8352	Spacer Th.1,30(99,5x85) mm	1			●		
3	269.475	389 263 8452	Spacer Th.1,33(99,5x85) mm	1			●		
3	269.476	389 263 8552	Spacer Th.1,36(99,5x85) mm	1			●		
3	269.477	389 263 8652	Spacer Th.1,39(99,5x85) mm	1			●		
3	269.222	389 262 0955	Spacer Th.0,10(139,5x120,5) mm	1				●	
3	269.220	389 262 0855	Spacer Th.0,15(139,5x120,5) mm	1				●	
3	269.563	389 262 0755	Spacer Th.0,20(139,5x120,5) mm	1				●	
3	269.564	389 262 0655	Spacer Th.0,40(139,5x120,5) mm	1				●	
3	269.214	389 262 0255	Spacer Th.0,50(139,5x120,5) mm	1				●	
3	269.565	389 262 0155	Spacer Th.0,55(139,5x120,5) mm	1				●	
3	269.218	389 262 0555	Spacer Th.0,80(139,5x120,5) mm	1				●	
3	269.239	389 262 3055	Spacer Th.0,25(139,5x120,5) mm	1				●	
3	269.524	389 262 3155	Spacer Th.0,28(139,5x120,5) mm	1				●	
3	269.525	389 262 3255	Spacer Th.0,31(139,5x120,5) mm	1				●	
3	269.526	389 262 3355	Spacer Th.0,34(139,5x120,5) mm	1				●	
3	269.527	389 262 3455	Spacer Th.0,37(139,5x120,5) mm	1				●	
3	269.250	389 262 3555	Spacer Th.0,40(139,5x120,5) mm	1				●	
3	269.528	389 262 3655	Spacer Th.0,43(139,5x120,5) mm	1				●	
3	269.529	389 262 3755	Spacer Th.0,46(139,5x120,5) mm	1				●	
3	269.530	389 262 3855	Spacer Th.0,49(139,5x120,5) mm	1				●	
3	269.531	389 262 3955	Spacer Th.0,52(139,5x120,5) mm	1				●	
3	269.256	389 262 4055	Spacer Th.0,55(139,5x120,5) mm	1				●	
3	269.532	389 262 4155	Spacer Th.0,58(139,5x120,5) mm	1				●	
3	269.546	389 262 4255	Spacer Th.0,61 (139,5x120,5) mm	1			●		
3	269.533	389 262 4355	Spacer Th.0,64(139,5x120,5) mm	1				●	
3	269.547	389 262 4455	Spacer Th.0,67(139,5x120,5) mm	1				●	
3	269.548	389 262 4555	Spacer Th.0,70(139,5x120,5) mm	1			●		
3	269.549	389 262 4655	Spacer Th.0,73(139,5x120,5) mm	1			●		
3	269.550	389 262 4755	Spacer Th.0,76(139,5x120,5) mm	1			●		
3	269.551	389 262 4855	Spacer Th.0,79(139,5x120,5) mm	1				●	
3	269.552	389 262 4955	Spacer Th.0,82(139,5x120,5) mm	1				●	
3	269.553	389 262 5055	Spacer Th.0,85(139,5x120,5) mm	1				●	
3	269.554	389 262 5155	Spacer Th.0,88(139,5x120,5) mm	1				●	
3	269.555	389 262 5255	Spacer Th.0,91(139,5x120,5) mm	1				●	
3	269.556	389 262 5355	Spacer Th.0,94(139,5x120,5) mm	1				●	
3	269.557	389 262 5455	Spacer Th.0,97(139,5x120,5) mm	1				●	
3	269.558	389 262 5555	Spacer Th.1,00(139,5x120,5) mm	1				●	
3	269.559	389 262 5655	Spacer Th.1,03(139,5x120,5) mm	1				●	
3	269.560	389 262 5755	Spacer Th.1,06(139,5x120,5) mm	1				●	
3	269.561	389 262 5855	Spacer Th.1,09(139,5x120,5) mm	1				●	
3	269.562	389 262 5955	Spacer Th.1,12(139,5x120,5) mm	1				●	
3	269.535	389 262 9654	Spacer Th.2,00(139,5x120,5) mm	1				●	
4	269.289	406 337 0252	Spacer Th.0,10(99,5x85) mm	1		●	●	●	
4	269.290	406 337 0352	Spacer Th.0,20(99,5x85) mm	1		●	●	●	

Notes

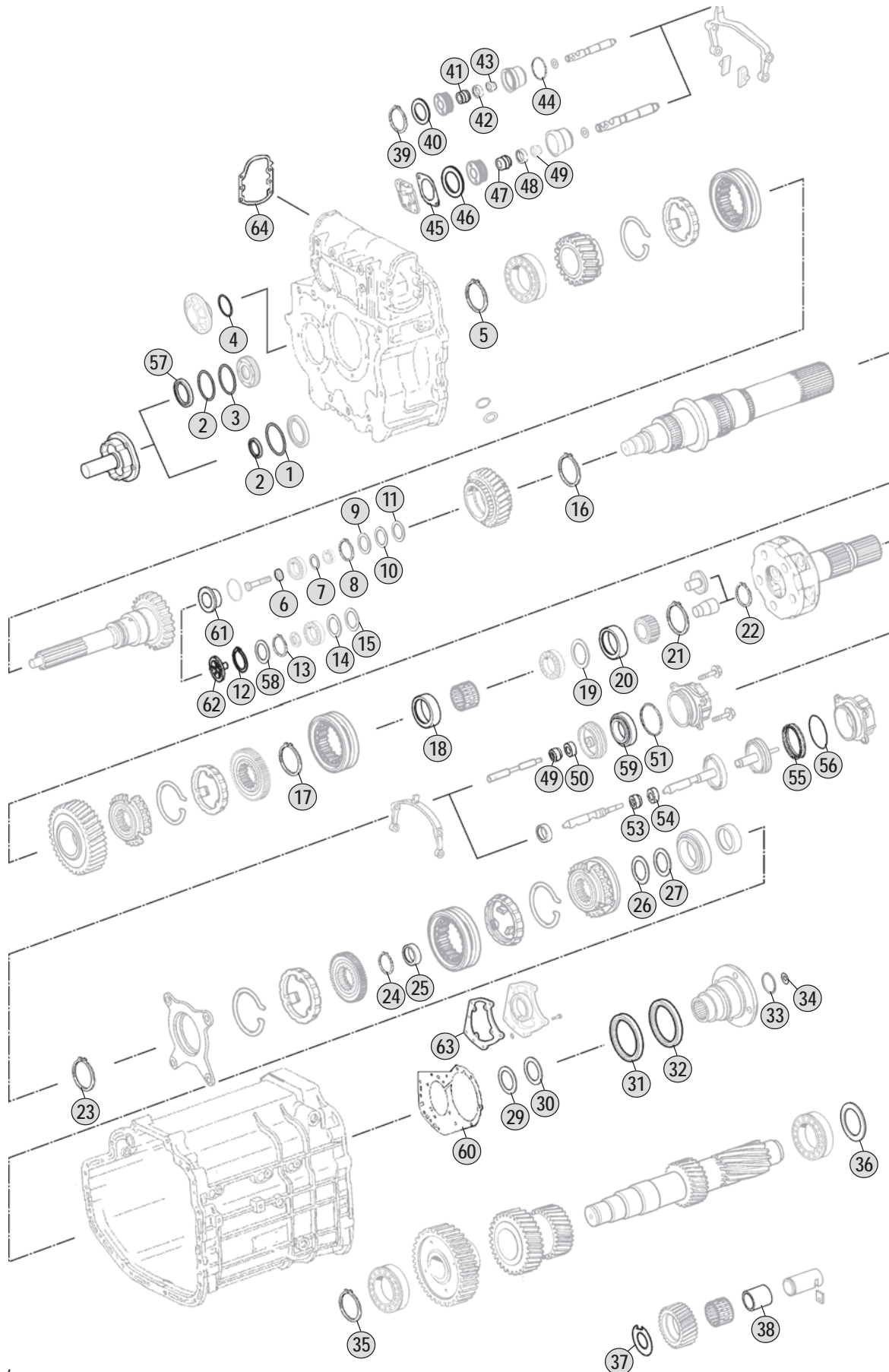
Date

04 / 2011

Table

Adattabile a : **MERCEDES**
 Suitable To :

Rasamenti / Washers



Models

G125 - G135 Models SK

G155 - G180 - G200 Models SK

G210 - G240 - G260 Models SK - AXOR - ACTROS

G211 - G231 Models MAXI-ATEGO - AXOR - ACTROS

Fig.	CEI no.	Rif. MB	Description	Q.ty	Note				
						G125-G135	G155-G180-G200	G210-G240-G260	G211-G231
4	269.422	389 263 3252	Spacer Th.0,40(99,5x85) mm	1		●	●	●	
4	269.430	389 263 5252	Spacer Th.0,37(99,5x85) mm	1		●	●	●	
4	269.285	389 263 5352	Spacer Th.0,40(99,5x85) mm	1		●	●	●	
4	269.431	389 263 5452	Spacer Th.0,43(99,5x85) mm	1		●	●	●	
4	269.432	389 263 5552	Spacer Th.0,46(99,5x85) mm	1		●	●	●	●
4	269.433	389 263 5652	Spacer Th.0,49(99,5x85) mm	1		●	●	●	●
4	269.434	389 263 5752	Spacer Th.0,52(99,5x85) mm	1		●	●	●	●
4	269.435	389 263 5852	Spacer Th.0,55(99,5x85) mm	1		●	●	●	●
4	269.436	389 263 5952	Spacer Th.0,58(99,5x85) mm	1		●	●	●	●
4	269.437	389 263 6052	Spacer Th.0,61(99,5x85) mm	1		●	●	●	●
4	269.438	389 263 6152	Spacer Th.0,64(99,5x85) mm	4		●	●	●	●
4	269.439	389 263 6252	Spacer Th.0,67(99,5x85) mm	1		●	●	●	●
4	269.286	389 263 6352	Spacer Th.0,70(99,5x85) mm	1		●	●	●	●
4	269.440	389 263 6452	Spacer Th.0,73(99,5x85) mm	1		●	●	●	●
4	269.458	389 263 6552	Spacer Th.0,76(99,5x85) mm	1		●	●	●	●
4	269.459	389 263 6652	Spacer Th.0,79(99,5x85) mm	1		●	●	●	●
4	269.460	389 263 6752	Spacer Th.0,82(99,5x85) mm	1		●	●	●	●
4	269.461	389 263 6852	Spacer Th.0,85(99,5x85) mm	1		●	●	●	●
4	269.462	389 263 6952	Spacer Th.0,88(99,5x85) mm	1		●	●	●	●
4	269.463	389 263 7052	Spacer Th.0,91(99,5x85) mm	1		●	●	●	●
4	269.464	389 263 7152	Spacer Th.0,94(99,5x85) mm	1		●	●	●	●
4	269.465	389 263 7252	Spacer Th.0,97(99,5x85) mm	1		●	●	●	●
4	269.287	389 263 7352	Spacer Th.1,00(99,5x85) mm	1		●	●	●	●
4	269.466	389 263 7452	Spacer Th.1,03(99,5x85) mm	1		●	●	●	●
4	269.467	389 263 7552	Spacer Th.1,06(99,5x85) mm	1		●	●	●	●
4	269.468	389 263 7652	Spacer Th.1,09(99,5x85) mm	1		●	●	●	●
4	269.469	389 263 7752	Spacer Th.1,12(99,5x85) mm	1		●	●	●	●
4	269.470	389 263 7852	Spacer Th.1,15(99,5x85) mm	1		●	●	●	●
4	269.471	389 263 7952	Spacer Th.1,18(99,5x85) mm	1		●	●	●	●
4	269.472	389 263 8052	Spacer Th.1,21(99,5x85) mm	1		●	●	●	●
4	269.473	389 263 8152	Spacer Th.1,24(99,5x85) mm	1		●	●	●	●
4	269.474	389 263 8252	Spacer Th.1,27(99,5x85) mm	1		●	●	●	●
4	269.288	389 263 8352	Spacer Th.1,30(99,5x85) mm	1		●	●	●	●
4	269.475	389 263 8452	Spacer Th.1,33(99,5x85) mm	1		●	●	●	●
4	269.476	389 263 8552	Spacer Th.1,36(99,5x85) mm	1		●	●	●	●
4	269.477	389 263 8652	Spacer Th.1,39(99,5x85) mm	1		●	●	●	●
5	111.305	387 262 0473	Seeger Ring Th.2,40 mm	1		●			
5	111.306	387 262 0573	Seeger Ring Th.2,45 mm	1		●			
5	111.307	387 262 0673	Seeger Ring Th.2,50 mm	1		●			
5	111.308	387 262 0773	Seeger Ring Th.2,55 mm	1		●			
5	111.309	387 262 0873	Seeger Ring Th.2,60 mm	1		●			
5	111.310	387 262 0973	Seeger Ring Th.2,65 mm	1		●			
5	111.324	387 262 7673	Seeger Ring Th.2,70 mm	1		●			
5	111.325	387 262 7773	Seeger Ring Th.2,75 mm	1		●			
5	111.326	387 262 7873	Seeger Ring Th.2,80 mm	1		●			

Notes

Date

04 / 2011

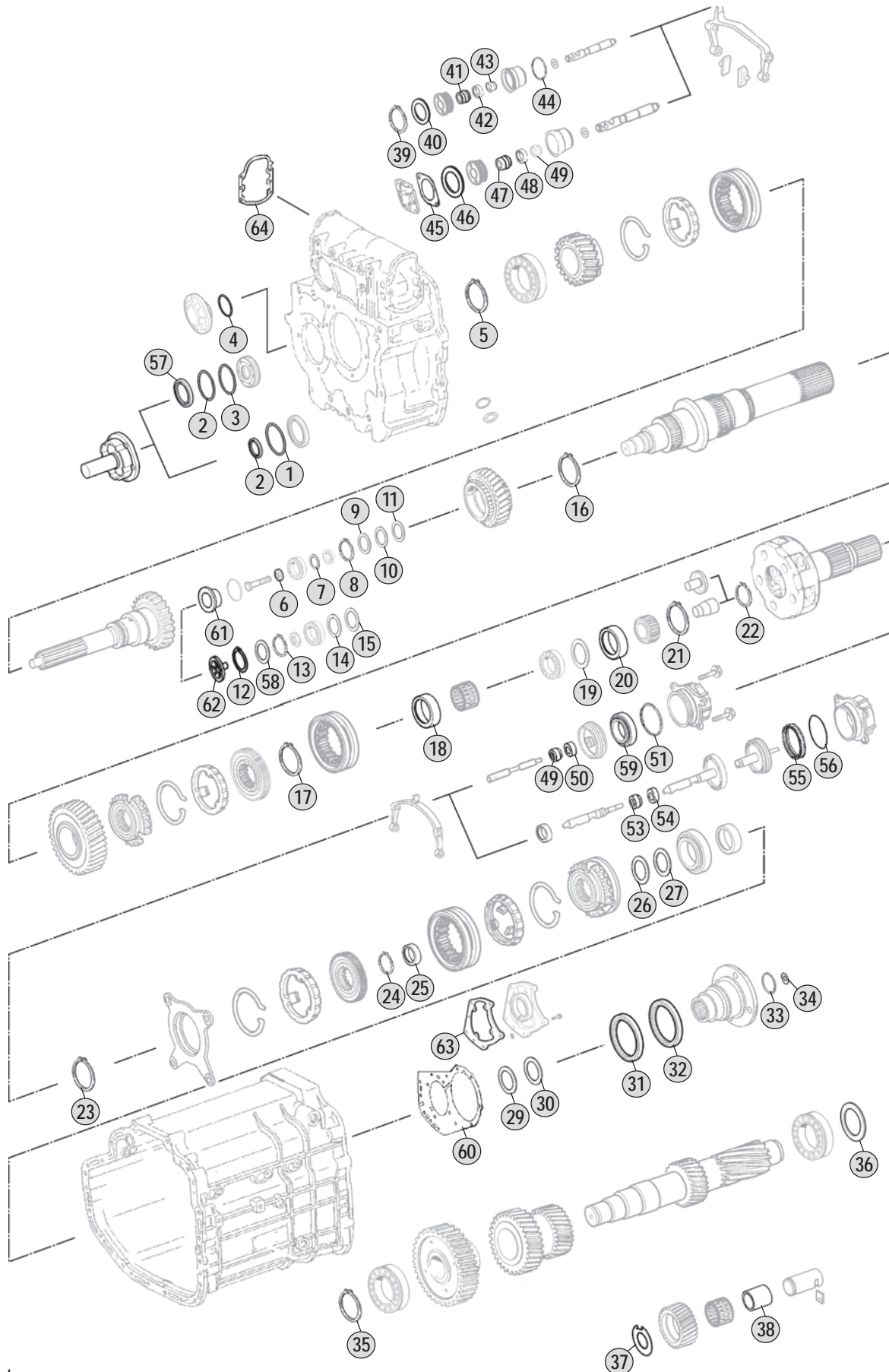
Table

0410

Rasamenti
Washers

Adattabile a : **MERCEDES**

Rasamenti / Washers

**Models**

G125 - G135 Models SK

G155 - G180 - G200 Models SK

G210 - G240 - G260 Models SK - AXOR - ACTROS

G211 - G231 Models MAXI-ATEGO - AXOR - ACTROS

All original equipment manufacturers' numbers, symbols, pictures, models and description used in this catalogue are for reference only, and it is not implied that any part listed is the product of these manufacturers.
 Tutti i nostri particolari non sono originali ma con essi intercambiabili. I riferimenti originali, le figure, i modelli sono esposti a semplice titolo indicativo. La nostra produzione riporta il nostro marchio.

Fig.	CEI no.	Rif. MB	Description	Q.ty	Note	G125-G135	G155-G180-G200	G210-G240-G260	G211-G231
5	111.330	387 262 8673	Seeger ring Th.3,12 mm	1			●	●	●
5	111.331	387 262 8773	Seeger ring Th.3,18 mm	1			●	●	●
5	111.332	387 262 8873	Seeger ring Th.3,24 mm	1			●	●	●
5	111.333	387 262 8973	Seeger ring Th.3,26 mm	1			●	●	●
5	111.334	387 262 9073	Seeger ring Th.3,34 mm	1			●	●	●
5	111.335	387 262 9173	Seeger ring Th.3,35 mm	1			●	●	●
5	111.336	387 262 9273	Seeger ring Th.3,44 mm	1			●	●	●
5	111.337	387 262 9373	Seeger ring Th.3,50 mm	1			●	●	●
5	111.316	387 262 6873	Seeger ring Th.3,64 mm	1			●		
5	111.317	387 262 6973	Seeger ring Th.3,68 mm	1			●		
5	111.318	387 262 7073	Seeger ring Th.3,72	1			●		
5	111.319	387 262 7173	Seeger ring Th.3,78 mm	1			●		
5	111.320	387 262 7273	Seeger ring Th.3,82 mm	1			●		
5	111.321	387 262 7373	Seeger ring Th.3,88 mm	1			●		
5	111.322	387 262 7473	Seeger ring Th.3,92 mm	1			●		
5	111.323	387 262 7573	Seeger ring Th.3,98 mm	1			●		
6	167.118	389 262 0862	Washer	1		●			
6	167.109	389 262 0062	Washer	1			●		
7	269.478	389 262 7252	Spacer Th.0,10(54,7x43) mm	1		●			
7	269.479	389 262 7152	Spacer Th.0,15(54,7x43) mm	1		●			
7	269.480	389 262 7052	Spacer Th.0,20(54,7x43) mm	1		●			
7	269.481	389 262 6952	Spacer Th.0,40(54,7x43) mm	1		●			
7	269.482	389 262 6852	Spacer Th.0,80(54,7x43) mm	1		●			
7	269.483	389 262 0154	Spacer Th.2,30(54,7x43) mm	1		●			
7	269.484	389 262 0354	Spacer Th.2,40(54,7x43) mm	1		●			
7	269.485	389 262 0554	Spacer Th.2,50(54,74x43) mm	1		●			
7	269.486	389 262 0754	Spacer Th.2,60(54,5x43) mm	1		●			
7	269.487	389 262 0954	Spacer Th.2,70(54,5x43) mm	1		●			
7	269.488	389 262 1154	Spacer Th.2,80(54,6x43) mm	1		●			
7	269.489	389 262 1354	Spacer Th.2,90(54,7x43) mm	1		●			
7	269.490	389 262 1554	Spacer Th.3,00(54,7x43,2) mm	1		●			
7	269.441	389 262 1754	Spacer Th.3,10(54,7x43) mm	1		●			
7	269.442	389 262 6554	Spacer Th.6,00(54,7x43) mm	1		●			
7	269.273	389 262 6454	Spacer Th.2,50(60x40) mm	1			●		
7	269.268	389 262 5552	Spacer Th.1,20(60x40) mm	1			●		
7	269.269	389 262 5752	Spacer Th.0,50(60x40) mm	1			●		
7	269.297	389 262 5652	Washer Th.0,80(60x40) mm	1			●		
7	269.566	389 262 2954	Spacer Th.0,70(60x40) mm	1			●		
7	269.567	389 262 3054	Spacer Th.0,60(60x40) mm	1			●		
7	269.276	389 262 7954	Spacer Th.0,30(60x40) mm	1			●		
7	269.568	389 262 5852	Spacer Th.0,20(60x40) mm	1			●		
7	269.271	389 262 5952	Spacer Th.0,10(60x40) mm	1			●		
8	111.338	387 268 0773	Seeger ring Sp.3,05 mm	1		●	●		
8	111.339	387 268 0873	Seeger ring Sp.3,08 mm	1		●	●		
8	111.340	387 268 0973	Seeger ring Sp.3,11 mm	1		●	●		

Notes

Date

04 / 2011

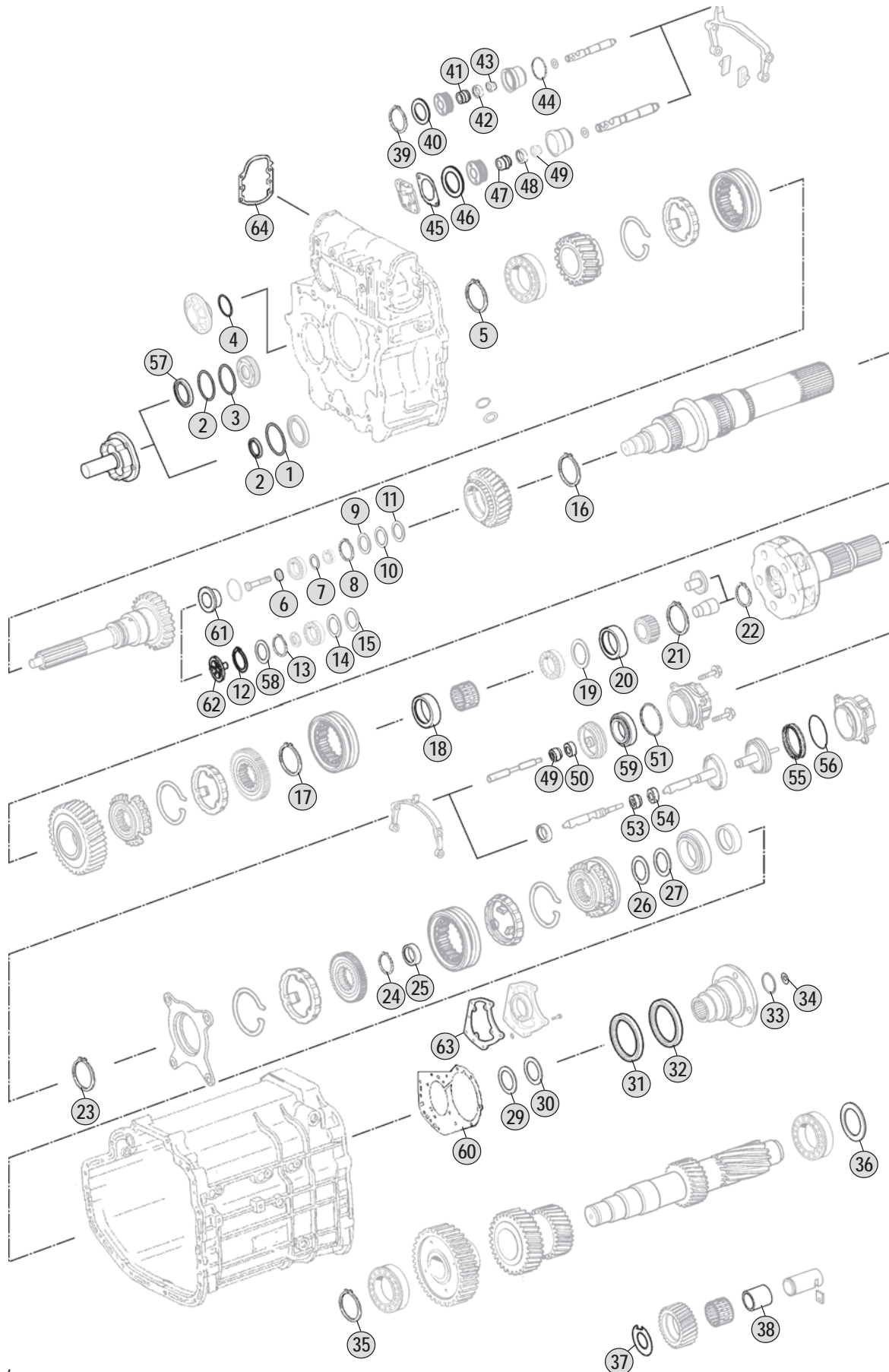
Table

0410

Rasamenti
Washers

Adattabile a : **MERCEDES**
 Suitable To :

Rasamenti / Washers



Models

G125 - G135 Models SK

G155 - G180 - G200 Models SK

G210 - G240 - G260 Models SK - AXOR - ACTROS

G211 - G231 Models MAXI-ATEGO - AXOR - ACTROS

Fig.	CEI no.	Rif. MB	Description	Q.ty	Note	G125-G135	G155-G180-G200	G210-G240-G260	G271-G231
8	111.341	387 268 1073	Seeger ring Sp.3,14 mm	1		●	●		
9	269.217	389 262 0551	Spacer Th.3,20 mm	1		●			
9	111.357	000988 070001	Ring Th.0,50 mm	1		●			
9	269.242	389 262 3252	Spacer Th.2,00(64,7x50) mm	1			●		
9	269.241	389 262 3152	Spacer Th.1,95(64,7x50) mm	1			●		
9	269.238	389 262 3052	Spacer Th.1,90(64,7x50) mm	1			●		
9	269.523	389 262 2952	Spacer Th.1,85(64,7x50) mm	1			●		
9	269.521	389 262 2455	Spacer Th.1,82(64,7x50) mm	1			●		
9	269.295	389 262 2355	Spacer Th.1,80(64,7x50) mm	1			●		
9	269.519	389 262 2255	Spacer Th.1,76(64,7x50) mm	1			●		
9	269.569	389 262 2752	Spacer Th.1,75(64,7x50) mm	1			●		
9	269.277	389 262 2155	Spacer Th.1,73(64,7x50) mm	1			●		
9	269.537	389 262 2055	Spacer Th.1,67(64,7x50) mm	1			●		
9	269.570	389 262 2552	Spacer Th.1,65(64,7x50) mm	1			●		
9	269.518	389 262 1955	Spacer Th.1,64(64,7x50) mm	1			●		
9	269.517	389 262 1855	Spacer Th.1,61(64,7x50) mm	1			●		
9	269.246	389 262 3354	Spacer Th.1,10(64,7x50) mm	1			●		
9	269.516	389 262 1755	Spacer Th.1,58(64,7x50) mm	1			●		
9	269.230	389 262 2352	Spacer Th.1,55(64,7x50) mm	1			●		
9	269.514	389 262 1655	Spacer Th.1,52(64,7x50) mm	1			●		
9	269.571	389 262 2252	Spacer Th.1,50(64,7x50) mm	1			●		
9	269.225	389 262 1555	Spacer Th.1,50(64,7x50) mm	1			●		
9	269.513	389 262 1455	Spacer Th.1,46(64,7x50) mm	1			●		
9	269.572	389 262 2152	Spacer Th.1,45(64,7x50) mm	1			●		
9	269.227	389 262 2052	Spacer Th.1,40(64,7x50) mm	1			●		
9	269.226	389 262 1952	Spacer Th.1,35(64,7x50) mm	1			●		
9	269.235	389 262 2754	Spacer Th.1,30(64,7x50) mm	1			●		
9	269.251	389 262 3654	Spacer Th.1,25(64,7x50) mm	1			●		
9	269.249	389 262 3554	Spacer Th.1,20(64,7x50) mm	1			●		
9	269.247	389 262 3454	Spacer Th.1,15(64,7x50) mm	1			●		
9	269.246	389 262 3354	Spacer Th.1,10(64,7x50) mm	1			●		
9	269.243	389 262 3254	Spacer Th.1,05(64,7x50) mm	1			●		
9	269.236	389 262 2854	Spacer Th.0,50(64,7x50) mm	1			●		
9	269.423	389 263 3352	Spacer Th.0,45(64,7x50) mm	1			●		
10	269.445	389 262 1751	Spacer Th.1,75(89,5x80) mm	1		●	●		
10	269.292	389 262 0851	Spacer Th.1,80(89,5x80) mm	1		●	●		
10	269.341	389 262 1851	Spacer Sp.1,85(89,5x80) mm	1		●	●		
10	269.342	389 262 0951	Spacer Sp.1,90(89,5x80) mm	1		●	●		
10	269.339	389 262 1951	Spacer Sp.1,95(89,5x80) mm	1		●	●		
10	269.293	389 262 1051	Spacer Th.2,00(89,5x80) mm	1		●	●		
10	269.340	389 262 2051	Spacer Sp.2,05(89,5x80) mm	1		●	●		
10	269.343	389 262 1151	Spacer Sp.2,10(89,5x80) mm	1		●	●		
10	269.338	389 262 2151	Spacer Sp.2,15(89,5x80) mm	1		●	●		
10	269.294	389 262 1251	Spacer Th.2,20(89,5x80) mm	1		●	●		
10	269.234	389 262 2751	Spacer Sp.5,40(89,5x80) mm	1		●	●		

Notes

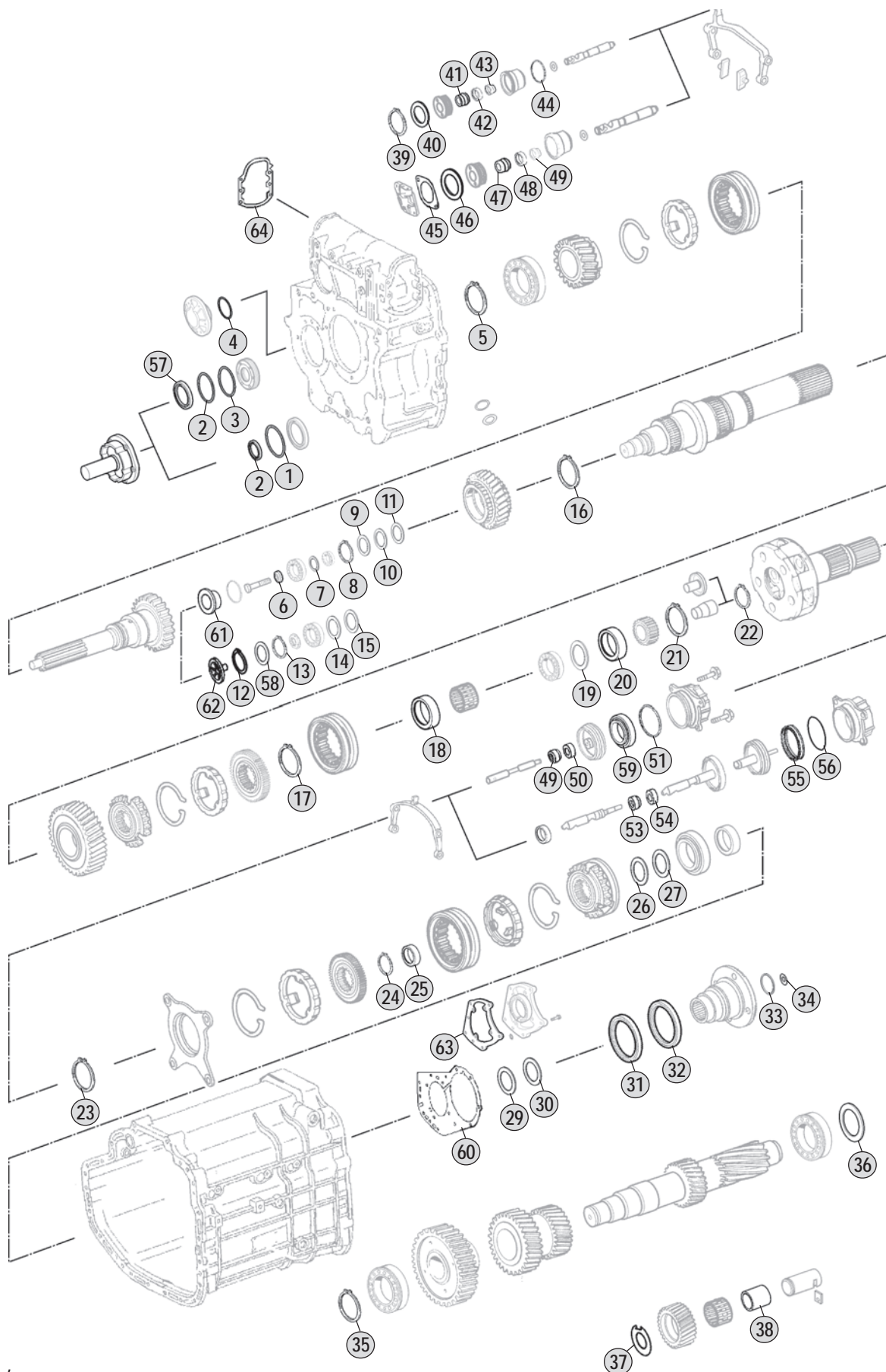
Date

04 / 2011

Table

Adattabile a : **MERCEDES**

Rasamenti / Washers

**Models**

G125 - G135 Models SK

G155 - G180 - G200 Models SK

G210 - G240 - G260 Models SK - AXOR - ACTROS

G211 - G231 Models MAXI-ATEGO - AXOR - ACTROS

Fig.	CEI no.	Rif. MB	Description	Q.ty	Note	G125-G135	G155-G180-G200	G210-G240-G260	G271-G231
10	269.446	389 262 2851	Spacer Th.5,45(89,5x80) mm	1		●	●		
10	269.237	389 262 2951	Spacer Th.5,50(89,5x80) mm	1		●	●		
10	269.447	389 262 3051	Spacer Th.5,55(89,5x80) mm	1		●	●		
10	269.240	389 262 3151	Spacer Th.5,60(89,5x80) mm	1		●	●		
10	269.448	389 262 3251	Spacer Th.5,65(89,5x80) mm	1		●	●		
10	269.244	389 262 3351	Spacer Th.5,70(89,5x80) mm	1		●	●		
10	269.449	389 262 3451	Spacer Th.5,75(89,5x80) mm	1		●	●		
10	269.248	389 262 3551	Spacer Th.5,80(89,5x80) mm	1		●	●		
10	269.450	389 262 3651	Spacer Th.5,85(89,5x80) mm	1		●	●		
10	269.252	389 262 3751	Spacer Th.5,90(89,5x80) mm	1		●	●		
10	269.451	389 262 3851	Spacer Th.5,95(89,5x80) mm	1		●	●		
10	269.254	389 262 3951	Spacer Th.6,00(89,5x80) mm	1		●	●		
10	269.452	389 262 4051	Spacer Th.6,05(89,5x80) mm	1		●	●		
10	269.257	389 262 4151	Spacer Th.6,10(89,5x80) mm	1		●	●		
10	269.453	389 262 4251	Spacer Th.6,15(89,5x80) mm	1		●	●		
10	269.259	389 262 4351	Spacer Th.6,20(89,5x80) mm	1		●	●		
10	269.454	389 262 4451	Spacer Th.6,25(89,5x80) mm	1		●	●		
10	269.261	389 262 4551	Spacer Th.6,30(89,5x80) mm	1		●	●		
10	269.455	389 262 4651	Spacer Th.6,35(89,5x80) mm	1		●	●		
10	269.262	389 262 4751	Spacer Th.6,40(89,5x80) mm	1		●	●		
10	269.456	389 262 4851	Spacer Th.6,45(89,5x80) mm	1		●	●		
10	269.264	389 262 4951	Spacer Th.6,50(89,5x80) mm	1		●	●		
10	269.457	389 262 5051	Spacer Th.6,55(89,5x80) mm	1		●	●		
10	269.267	389 262 5151	Spacer Th.6,60(89,5x80) mm	1		●	●		
11	169.973	389 262 1854	Spacer Th.4(75x66) mm	1		●	●		
12	111.260	007993 050200	Retainer ring Th.2,50 mm	1				●	
12	111.259	000 994 9841	Retainer Ring Th.1,66 mm	1				●	●
13	111.261	389 262 0973	Retainer ring Th.2,00 mm	1				●	●
13	111.382	945 262 0073	Seeger Ring Th.2,10 mm	1					●
14	269.268	389 262 5552	Spacer Th.1,20(60x40) mm	1				●	
14	269.269	389 262 5752	Spacer Th.0,50(60x40) mm	1				●	
14	269.297	389 262 5652	Washer Th.0,80(60x40) mm	1				●	
14	269.566	389 262 2954	Spacer Th.0,70(60x40) mm	1				●	
14	269.567	389 262 3054	Spacer Th.0,60(60x40) mm	1				●	
14	269.269	389 262 5752	Spacer Th.0,50(60x40) mm	1				●	
14	269.276	389 262 7954	Spacer Th.0,30(60x40) mm	1				●	
14	269.568	389 262 5852	Spacer Th.0,20(60x40) mm	1				●	
14	269.271	389 262 5952	Spacer Th.0,10(60x40) mm	1				●	
14	269.520	389 262 2351	Spacer	1				●	●
15	269.236	389 262 2854	Spacer Th.0,50(64,7x50) mm	1				●	●
15	269.243	389 262 3254	Spacer Th.1,05(64,7x50) mm	1				●	●
15	269.246	389 262 3354	Spacer Th.1,10(64,7x50) mm	1				●	●
15	269.247	389 262 3454	Spacer Th.1,15(64,7x50) mm	1				●	●
15	269.249	389 262 3554	Spacer Th.1,20(64,7x50) mm	1				●	●
15	269.251	389 262 3654	Spacer Th.1,25(64,7x50) mm	1				●	●

Notes

Date

04 / 2011

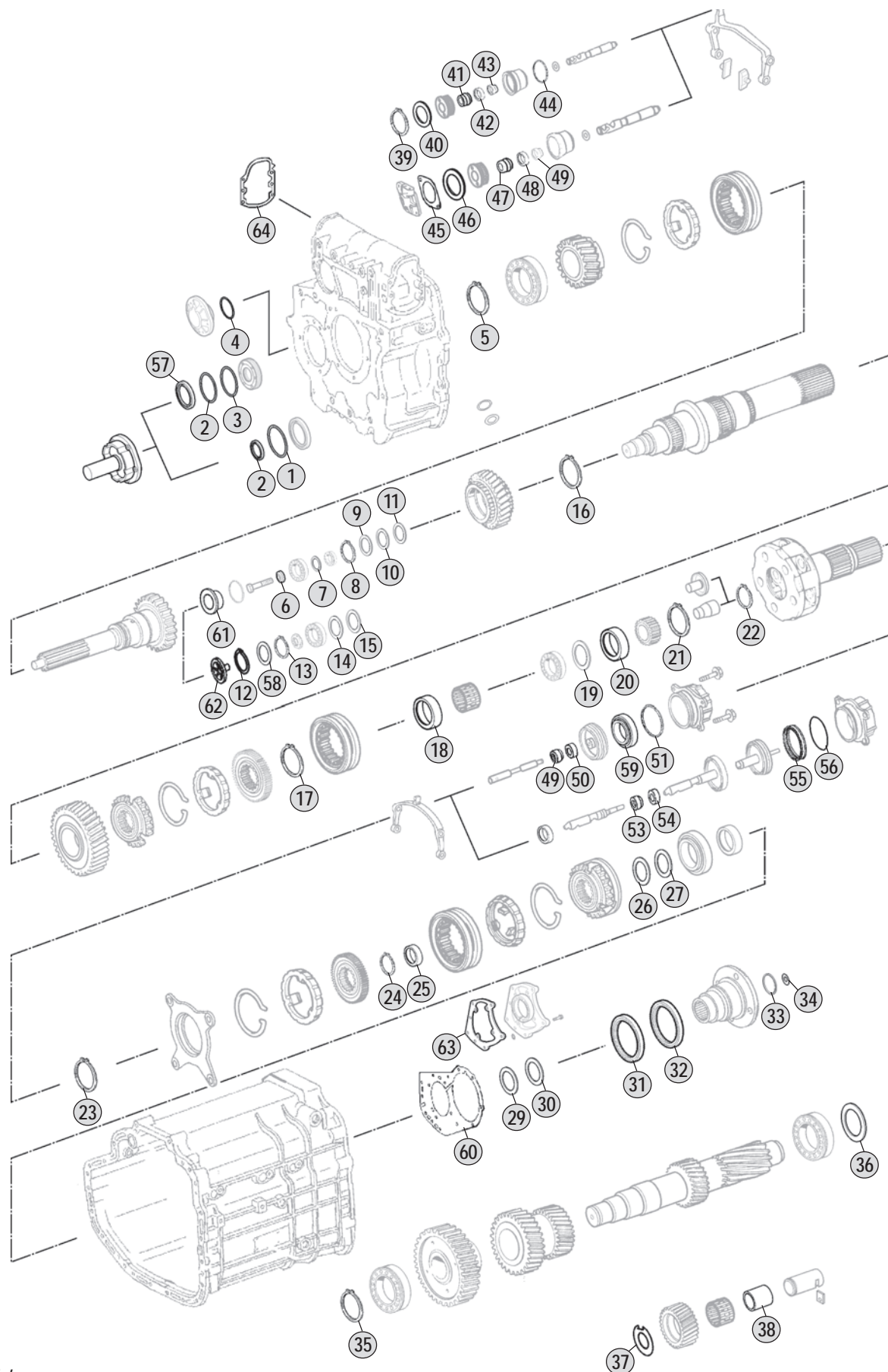
Table

0410

Rasamenti
Washers

Adattabile a : **MERCEDES**

Rasamenti / Washers

**Models**

G125 - G135 Models SK

G155 - G180 - G200 Models SK

G210 - G240 - G260 Models SK - AXOR - ACTROS

G211 - G231 Models MAXI-ATEGO - AXOR - ACTROS

All original equipment manufacturers' numbers, symbols, pictures, models and description used in this catalogue are for reference only, and it is not implied that any part listed is the product of these manufacturers.
 Tutti i nostri particolari non sono originali ma con essi intercambiabili. I riferimenti originali, le figure, i modelli sono esposti a semplice titolo indicativo. La nostra produzione riporta il nostro marchio.

Fig.	CEI no.	Rif. MB	Description	Q.ty	Note	G125-G135	G155-G180-G200	G210-G240-G260	G211-G231
15	269.235	389 262 2754	Spacer Th.1,30(64,7x50) mm	1				●	●
15	269.226	389 262 1952	Spacer Th.1,35(64,7x50) mm	1				●	●
15	269.227	389 262 2052	Spacer Th.1,40(64,7x50) mm	1				●	●
15	269.512	389 262 1355	Spacer Th.1,43(64,7x50) mm	1				●	●
15	269.513	389 262 1455	Spacer Th.1,46(64,7x50) mm	1				●	●
15	269.225	389 262 1555	Spacer Th.1,50(64,7x50) mm	1				●	●
15	269.514	389 262 1655	Spacer Th.1,52(64,7x50) mm	1				●	●
15	269.230	389 262 2352	Spacer Th.1,55(64,7x50) mm	1				●	●
15	269.516	389 262 1755	Spacer Th.1,58(64,7x50) mm	1				●	●
15	269.517	389 262 1855	Spacer Th.1,61(64,7x50) mm	1				●	●
15	269.519	389 262 2255	Spacer Th.1,76(64,7x50) mm	1				●	●
15	269.537	389 262 2055	Spacer Th.1,67(64,7x50) mm	1				●	●
15	269.249	389 262 3554	Spacer Th.1,20(64,7x50) mm	1				●	●
15	269.277	389 262 2155	Spacer Th.1,73(64,7x50) mm	1				●	●
15	269.519	389 262 2255	Spacer Th.1,76(64,7x50) mm	1				●	●
15	269.295	389 262 2355	Spacer Th.1,80(64,7x50) mm	1				●	●
15	269.521	389 262 2455	Spacer Th.1,82(64,7x50) mm	1				●	●
15	269.523	389 262 2952	Spacer Th.1,85(64,7x50) mm	1				●	●
15	269.238	389 262 3052	Spacer Th.1,90(64,7x50) mm	1				●	●
15	269.241	389 262 3152	Spacer Th.1,95(64,7x50) mm	1				●	●
15	269.242	389 262 3252	Spacer Th.2,00(64,7x50) mm	1				●	●
15	269.245	389 262 3352	Spacer Th.2,50(64,7x50) mm	1				●	●
15	269.515	389 262 1656	Spacer Th.5,34(64,7x50) mm	1				●	
15	269.576	389 262 9755	Spacer Th.4,77(64,7x50) mm	1				●	
15	269.573	389 262 9555	Spacer Th.4,71(64,7x50) mm	1				●	
15	269.574	389 262 9455	Spacer Th.4,68(64,7x50) mm	1				●	
15	269.575	389 262 9355	Spacer Th.4,65(64,7x50) mm	1				●	
15	269.578	389 262 1456	Spacer Th.5,28(65x50) mm	1				●	
15	269.579	389 262 1356	Spacer Th.5,25(65x50) mm	1				●	
15	269.224	389 262 1256	Spacer Th.5,22(65x50) mm	1				●	
15	269.223	389 262 1056	Spacer Th.5,16(65x50) mm	1				●	
15	269.580	389 262 0956	Spacer Th.5,13(65x50) mm	1				●	
15	269.581	389 262 1156	Spacer Th.5,19(65x50) mm	1				●	
15	269.221	389 262 0856	Spacer Th.5,10(65x50) mm	1				●	
15	269.582	389 262 0756	Spacer Th.5,07(65x50) mm	1				●	
15	269.219	389 262 0656	Spacer Th.5,04(65x50) mm	1				●	
15	269.583	389 262 0556	Spacer Th.5,01(65x50) mm	1				●	
15	269.216	389 262 0456	Spacer Th.4,98(65x50) mm	1				●	
15	269.584	389 262 0356	Spacer Th.4,95(65x50) mm	1				●	
15	269.215	389 262 0256	Spacer Th.4,92(65x50) mm	1				●	
15	269.585	389 262 0156	Spacer Th.4,89(65x50) mm	1				●	
15	269.213	389 262 0056	Spacer Th.4,86(65x50) mm	1				●	
15	269.586	389 262 9955	Spacer Th.4,83(65x50) mm	1				●	
15	269.577	389 262 9855	Spacer Th.4,80(65x50) mm	1				●	
16	111.305	387 262 0473	Seeger Ring Th.2,40 mm	1		●	●		

Notes

Date

04 / 2011

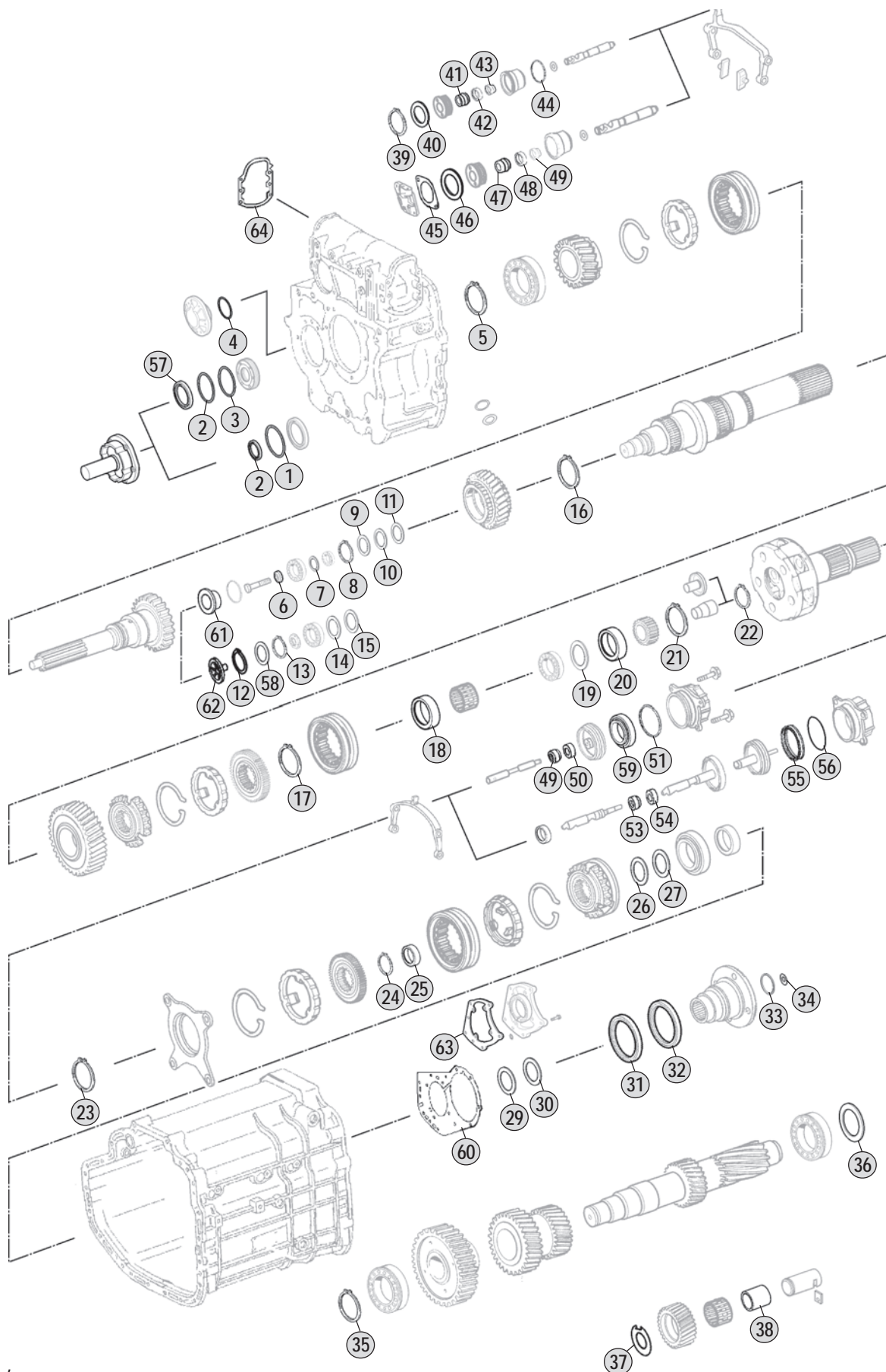
Table

0410

Rasamenti
Washers

Adattabile a : **MERCEDES**

Rasamenti / Washers

**Models**

G125 - G135 Models SK

G155 - G180 - G200 Models SK

G210 - G240 - G260 Models SK - AXOR - ACTROS

G211 - G231 Models MAXI-ATEGO - AXOR - ACTROS

All original equipment manufacturers' numbers, symbols, pictures, models and description used in this catalogue are for reference only, and it is not implied that any part listed is the product of these manufacturers.
 Tutti i nostri particolari non sono originali ma con essi intercambiabili. I riferimenti originali, le figure, i modelli sono esposti a semplice titolo indicativo. La nostra produzione riporta il nostro marchio.

Fig.	CEI no.	Rif. MB	Description	Q.ty	Note	G125-G135	G155-G180-G200	G210-G240-G260	G211-G231
16	111.306	387 262 0573	Seeger Ring Th.2,45 mm	1		●	●		
16	111.307	387 262 0673	Seeger Ring Th.2,50 mm	1		●	●		
16	111.308	387 262 0773	Seeger Ring Th.2,55 mm	1		●	●		
16	111.309	387 262 0873	Seeger Ring Th.2,60 mm	1		●	●		
16	111.310	387 262 0973	Seeger Ring Th.2,65 mm	1		●	●		
16	111.324	387 262 7673	Seeger Ring Th.2,70 mm	1		●	●		
16	111.325	387 262 7773	Seeger Ring Th.2,75 mm	1		●	●		
16	111.326	387 262 7873	Seeger Ring Th.2,80 mm	1		●	●		
16	111.311	387 262 2073	Seeger Ring Th.2,40 mm	1				●	●
16	111.312	387 262 2173	Seeger Ring Th.2,45 mm	1				●	●
16	111.303	007 994 0041	Seeger Ring Th.2,50 mm	1				●	●
16	111.313	387 262 2373	Seeger Ring Th.2,55 mm	1				●	●
16	111.314	387 262 2473	Seeger Ring Th.2,60 mm	1				●	●
16	111.315	387 262 2573	Seeger Ring Th.2,65 mm	1				●	●
16	111.324	387 262 7673	Seeger Ring Th.2,70 mm	1				●	●
16	111.327	387 262 7973	Seeger Ring Th.2,70 mm	1				●	●
16	111.328	387 262 8073	Seeger Ring Th.2,75 mm	1				●	●
16	111.329	387 262 8173	Seeger Ring Th.2,80 mm	1				●	●
17	111.311	387 262 2073	Seeger Ring Th.2,40 mm	1		●	●	●	●
17	111.312	387 262 2173	Seeger Ring Th.2,45 mm	1		●	●	●	●
17	111.303	007 994 0041	Seeger Ring Th.2,50 mm	1		●	●	●	●
17	111.313	387 262 2373	Seeger Ring Th.2,55 mm	1		●	●	●	●
17	111.314	387 262 2473	Seeger Ring Th.2,60 mm	1		●	●	●	●
17	111.315	387 262 2573	Seeger Ring Th.2,65 mm	1		●	●	●	●
17	111.327	387 262 7973	Seeger Ring Th.2,70 mm	1		●	●	●	●
17	111.328	387 262 8073	Seeger Ring Th.2,75 mm	1		●	●	●	●
17	111.329	387 262 8173	Seeger Ring Th.2,80 mm	1		●	●	●	●
18	117.432	389 262 0150	Bush	1		●			
18	117.433	389 262 1250	Bush Th.33,00(78x62,6) mm	1		●			
18	117.327	389 262 2550	Bush	1			●	●	●
19	269.296	389 262 3552	Washer Th.0,10(136,8x130) mm	1		●	●	●	
19	269.587	389 262 3652	Washer Th.0,15(136,8x130) mm	1		●	●	●	
19	269.588	389 262 3752	Washer Th.0,20(136,8x130) mm	1		●	●	●	
19	269.253	389 262 3852	Washer Th.0,40(136,8x130) mm	1		●	●	●	
19	269.589	389 262 3952	Washer Th.0,80((129,5x115,3)mm	1		●	●	●	
19	269.280	389 263 4052	Washer Th.0,60(129,5x115,3) mm	1			●	●	
19	269.590	389 263 4152	Washer Th.0,65(129,5x115,3) mm	1			●	●	
19	269.281	389 263 4252	Washer Th.0,70(129,5x115,3) mm	1			●	●	
19	269.591	389 263 4352	Washer Th.0,75(129,5x115,3) mm	1			●	●	
19	269.279	389 263 0552	Washer Th 0,80(129,5x115,3)mm	1			●	●	
19	269.282	389 263 4452	Washer Th.0,85(129,5x115,3) mm	1			●	●	
19	269.538	389 263 4552	Washer Th.0,90(129,5x115,3) mm	1			●	●	
19	269.283	389 263 4652	Washer Th.0,95(129,5x115,3) mm	1			●	●	
19	269.592	389 263 4752	Washer Th.1,00(129,5x115,3) mm	1			●	●	
19	269.540	389 263 4952	Washer Th.1,10(129,5x115,3) mm	1			●	●	

Notes

Date

04 / 2011

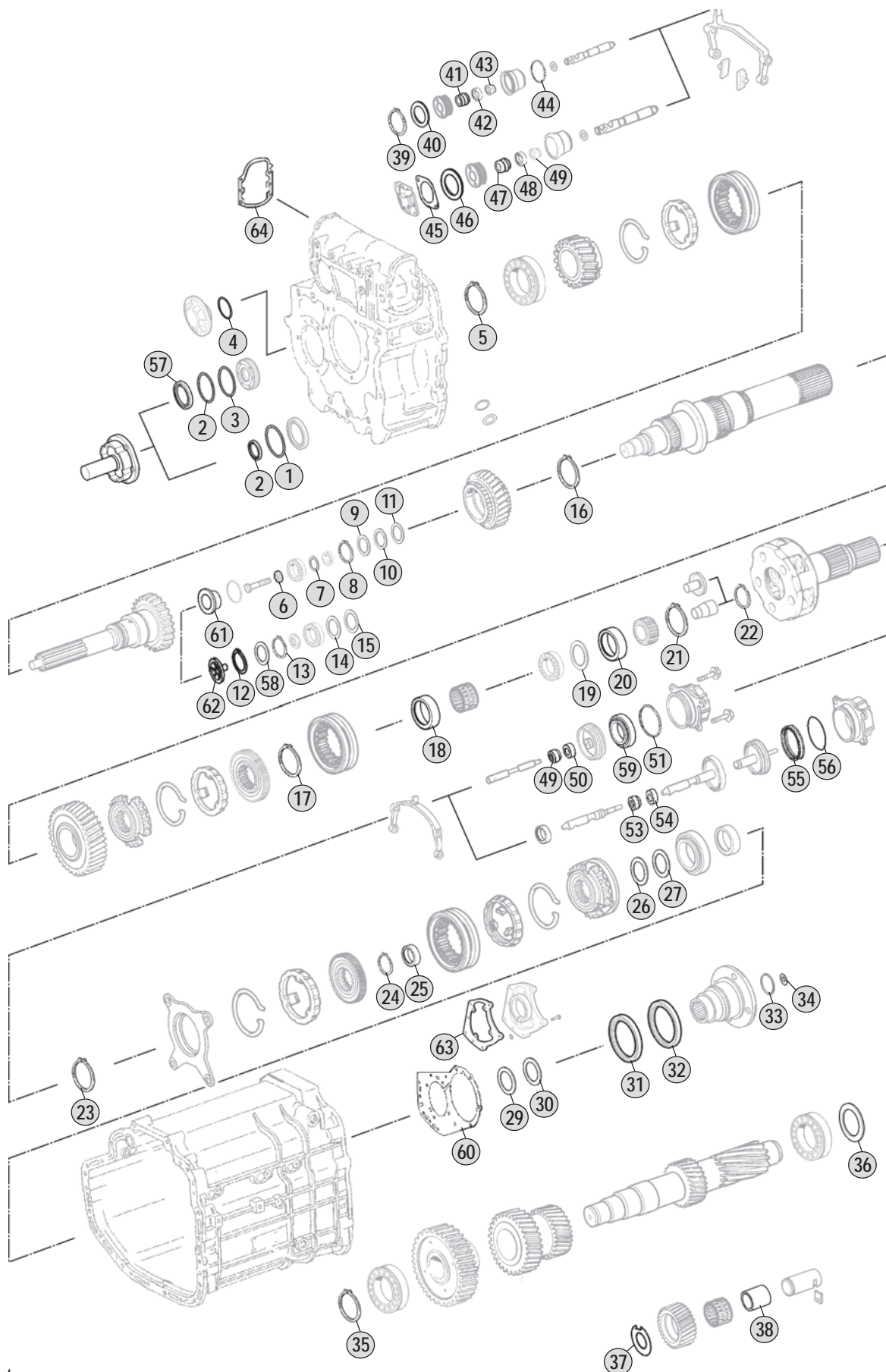
Table

0410

Rasamenti
Washers

Adattabile a : **MERCEDES**

Rasamenti / Washers

**Models**

G125 - G135 Models SK

G155 - G180 - G200 Models SK

G210 - G240 - G260 Models SK - AXOR - ACTROS

G211 - G231 Models MAXI-ATEGO - AXOR - ACTROS

All original equipment manufacturers' numbers, symbols, pictures, models and description used in this catalogue are for reference only, and it is not implied that any part listed is the product of these manufactures.
 Tutti i nostri particolari non sono originali ma con essi intercambiabili. I riferimenti originali, le figure, i modelli sono esposti a semplice titolo indicativo. La nostra produzione riporta il nostro marchio.

Fig.	CEI no.	Rif. MB	Description	Q.ty	Note	G125-G135	G155-G180-G200	G210-G240-G260	G211-G231
19	269.284	389 263 5052	Washer Th.1,15(129,5x115,3) mm	1			●	●	
20	269.370	389 262 6352	Spacer Th.14,6(74x60) mm	1		●			
20	117.326	389 262 0152	Spacer Th.20,3(74x60) mm	1			●		●
21	111.359	006 994 7341	Seeger Ring Th.2,95 mm	1		●	●		
21	111.304	007 994 1841	Seeger ring Th.2,45 mm	1			●	●	●
22	111.273	007993 040200	Lock ring Th.2,00 mm	1		●	●		
22	111.274	000472 060000	Lock ring Th.2,00 mm	1				●	●
23	111.356	000472 130000	Seeger Ring Th.3,94 mm	1		●	●	●	●
24	111.355	000471 120000	Seeger Ring Th.3,94 mm	1		●	●	●	●
25	117.322	389 262 0251	Bush	1		●	●	●	●
26	269.255	389 262 3954	Spacer Th.3,50(106,5x150) mm	1		●	●		
27	269.263	389 262 4752	Spacer Th.0,10(149,5x135,5) mm	1		●	●	●	
27	269.534	389 262 4852	Washer Th.0,15(149,5x135,5) mm	1		●	●	●	
27	269.265	389 262 4952	Spacer Th.0,20(149,5x135,5) mm	1		●	●	●	
27	269.266	389 262 5052	Spacer Th.0,40(149,5x135,5) mm	1		●	●	●	
27	269.492	389 262 5152	Spacer Th.0,80(149,5x135,5) mm	1		●	●	●	
27	269.491	389 262 7654	Spacer Th.0,25(149,5x135,5) mm	1		●	●	●	
27	269.274	389 262 7754	Spacer Th.1,40(149,5x135,5) mm	1		●	●	●	
27	269.275	389 262 7854	Washer Th.0,80(150x114) mm	1				●	
27	111.383	000472 140000	Seeger Ring Th.3,95 mm	1					●
29	269.263	389 262 4752	Spacer Th.0,10(149,5x135,5) mm	1		●	●	●	●
29	269.534	389 262 4852	Washer Th.0,15(149,5x135,5) mm	1		●	●	●	●
29	269.265	389 262 4952	Spacer Th.0,20(149,5x135,5) mm	1		●	●	●	●
29	269.491	389 262 7654	Spacer Th.0,25(149,5x135,5) mm	1		●	●	●	
29	269.266	389 262 5052	Spacer Th.0,40(149,5x135,5) mm	1		●	●	●	●
29	269.536	659 283 4652	Spacer Th.0,60(149,5x135,5) mm	1					●
29	269.593	659 283 4852	Spacer Th.0,70(149,5x135,5) mm	1					●
29	269.492	389 262 5152	Spacer Th.0,80(149,5x135,5) mm	1		●	●	●	●
29	269.594	659 283 5052	Spacer Th.0,85(149,5x135,5) mm	1					●
29	269.595	659 283 5152	Spacer Th.0,90(149,5x135,5) mm	1					●
29	269.596	659 283 5452	Spacer Th.1,05(149,5x135,5) mm	1			●		
29	269.597	659 283 5552	Spacer Th.1,10(149,5x135,5) mm	1					●
29	269.274	389 262 7754	Spacer Th.1,40(149,5x135,5) mm	1		●	●	●	●
30	139.593	015 997 2848	Ring	1				●	●
30	139.902	015 997 4048	Oil Seal	1					●
31	139.551	013 997 7247	Oil Seal 95x115x13	1		●	●	●	●
32	139.552	013 997 7347	Oil Seal 95x115x13	1		●	●	●	●
33	139.814	014 997 5148	O Ring 5,3X72,4	1		●	●	●	●
34	167.111	389 262 0362	Washer Th.20(94x24) mm	1		●	●	●	
35	111.353	000 264 0951	Seeger Ring Th.2,30 mm	1			●		
35	111.347	387 994 1341	Seeger Ring Th.2,45 mm	1			●		
35	111.346	387 994 1141	Seeger ring Th.2,55 mm	1			●		
35	111.345	387 994 0941	Seeger ring Th.2,60 mm	1			●		
35	111.344	387 994 0741	Seeger ring Th.2,75 mm	1			●		
35	111.343	387 994 0541	Seeger ring Th.2,85 mm	1			●		

Notes

Date

04 / 2011

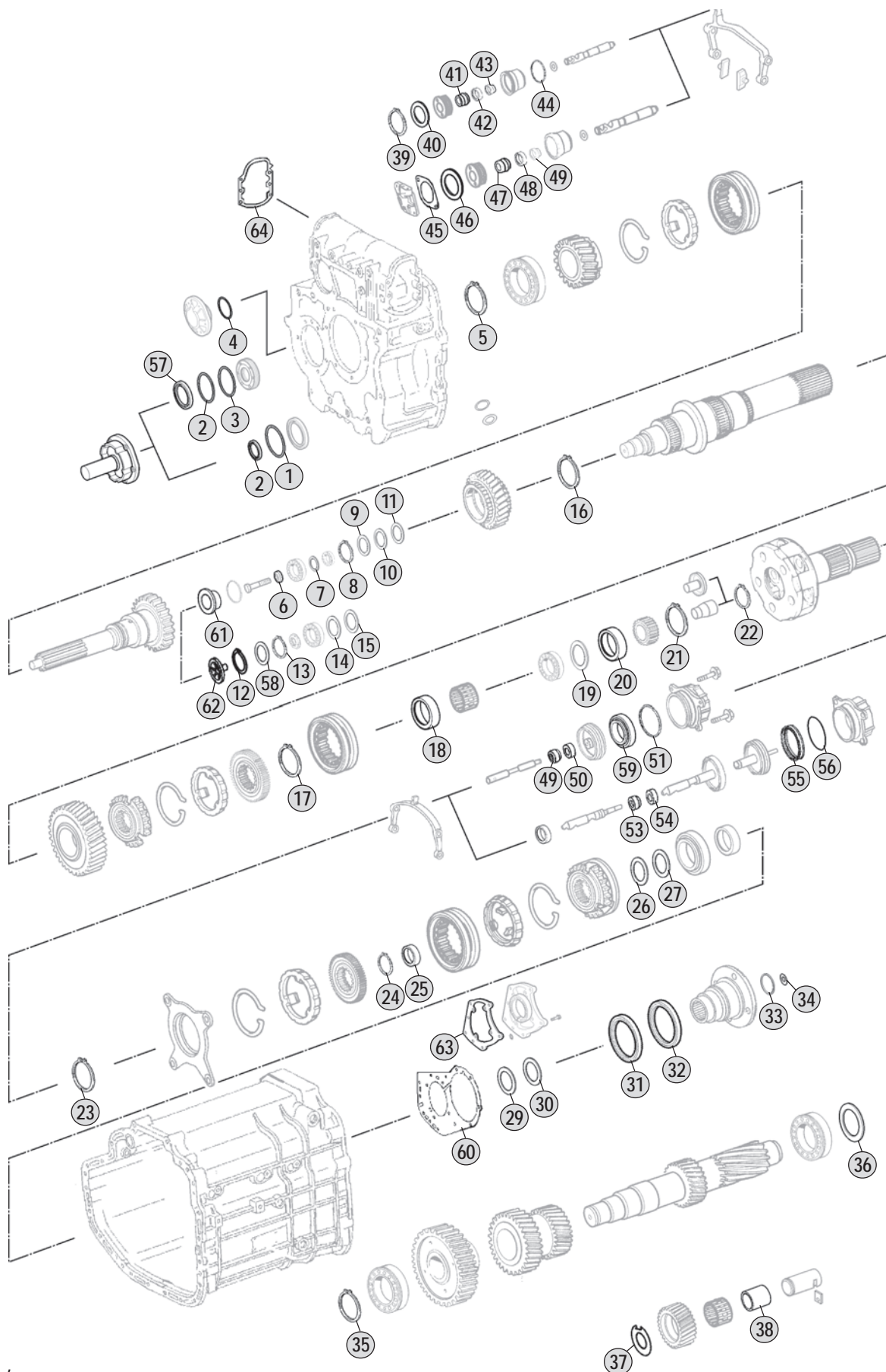
Table

0410

All original equipment manufacturers numbers, symbols, pictures, models and description used in this catalogue are for reference only, and it is not implied that any part listed is the product of these manufactures.
Tutti i nostri particolari non sono originali ma con essi intercambiabili. I riferimenti originali, le figure, i modelli sono esposti a semplice titolo indicativo. La nostra produzione riporta il nostro marchio.

Adattabile a : **MERCEDES**

Rasamenti / Washers

**Models**

G125 - G135 Models SK

G155 - G180 - G200 Models SK

G210 - G240 - G260 Models SK - AXOR - ACTROS

G211 - G231 Models MAXI-ATEGO - AXOR - ACTROS

Fig.	CEI no.	Rif. MB	Description	Q.ty	Note	G125-G135	G155-G180-G200	G210-G240-G260	G211-G231
35	111.342	387 994 0341	Seeger ring Th.2,95 mm	1			●		
35	111.351	389 994 0041	Seeger ring Th.3,00 mm	1			●	●	
36	269.502	389 263 2652	Spacer Th.0,95(136,8x130) mm	1		●			
36	269.503	389 263 2752	Spacer Th.1,00(136,8x130) mm	1		●			
36	269.504	389 263 2852	Spacer Th.1,05(136,8x130) mm	1		●			
36	269.296	389 262 3552	Washer Th.0,10(136,8x130) mm	1			●		
36	269.587	389 262 3652	Washer Th.0,15(136,8x130) mm	1			●		
36	269.493	385 283 3152	Spacer Th.0,15(136,8x130) mm	1		●			
36	269.494	389 283 0052	Spacer Th.0,15(136,8x130) mm	1		●			
36	269.588	389 262 3752	Washer Th.0,20(136,8x130) mm	1			●		
36	269.253	389 262 3852	Washer Th.0,40(136,8x130) mm	1			●		
36	269.495	389 263 1952	Spacer Th.0,60(136,8x130) mm	1		●			
36	269.496	389 263 2052	Spacer Th.0,65(136,8x130) mm	1		●			
36	269.497	389 263 2152	Spacer Th.0,70(109,6x96,3) mm	1		●			
36	269.498	389 263 2252	Spacer Th.0,75(136,8x130) mm	1		●			
36	269.499	389 263 2352	Spacer Th.0,80(109,3x50,3) mm	1		●			
36	269.500	389 263 2452	Spacer Th.0,85(136,8x130) mm	1		●			
36	269.501	389 263 2552	Spacer Th.0,90(136,8x130) mm	1		●			
36	269.278	389 263 0062	Spacer Th.1,00(136,8x130) mm	1		●			
36	269.280	389 263 4052	Washer Th.0,60(129,5x115,3) mm	1			●	●	
36	269.590	389 263 4152	Washer Th.0,65(129,5x115,3) mm	1			●	●	
36	269.281	389 263 4252	Washer Th.0,70(129,5x115,3) mm	1			●	●	
36	269.591	389 263 4352	Washer Th.0,75(129,5x115,3) mm	1			●	●	
36	269.279	389 263 0552	Washer Th 0,80(129,5x115,3)mm	1			●	●	
36	269.589	389 262 3952	Washer Th.0,80((129,5x115,3)mm	1			●	●	
36	269.282	389 263 4452	Washer Th.0,85(129,5x115,3) mm	1			●	●	
36	269.538	389 263 4552	Washer Th.0,90(129,5x115,3) mm	1			●	●	
36	269.283	389 263 4652	Washer Th.0,95(129,5x115,3) mm	1			●	●	
36	269.592	389 263 4752	Washer Th.1,00(129,5x115,3) mm	1			●	●	
36	269.540	389 263 4952	Washer Th.1,10(129,5x115,3) mm	1			●	●	
36	269.284	389 263 5052	Washer Th.1,15(129,5x115,3) mm	1			●	●	
36	269.598	389 263 8852	Washer Th.1,25(129,5x115,3)mm	1			●	●	
37	269.278	389 263 0062	Spacer Th.1,00(136,8x130) mm	1			●		
38	117.442	389 263 0150	Bush	1		●			
38	117.323	389 263 0950	Bush (42x42) mm	1		●			
38	117.414	389 263 0050	Bush Th.19(42x30) mm	1			●		
38	117.324	389 263 0850	Bush Th.18(74x60) mm	1			●	●	●
39	111.358	006 994 4241	Lock Ring	1			●	●	
40	269.232	389 262 2555	Spacer Th.0,70(64,7x50) mm	1			●	●	
40	269.233	389 262 2655	Spacer Th.0,90(64,7x50) mm	1			●	●	
40	269.243	389 262 3254	Spacer Th.1,05(64,7x50) mm	1			●	●	
40	269.249	389 262 3554	Spacer Th.1,20(64,7x50) mm	1			●	●	
40	269.227	389 262 2052	Spacer Th.1,40(64,7x50) mm	1			●	●	
40	269.246	389 262 3354	Spacer Th.1,10(64,7x50) mm	1			●	●	
40	269.295	389 262 2355	Spacer Th.1,80(64,7x50) mm	1			●	●	

Notes

Date

04 / 2011

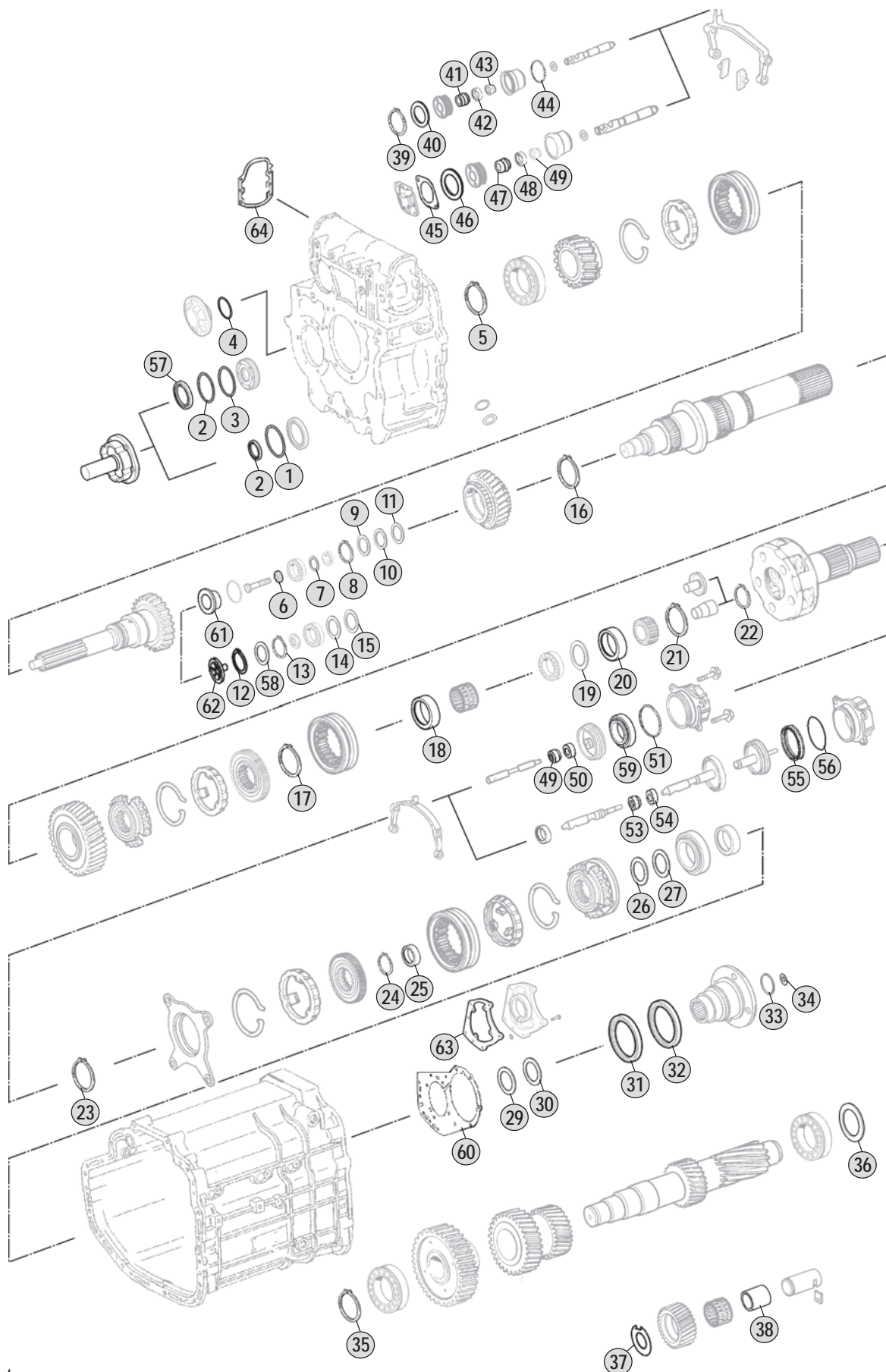
Table

0410

Rasamenti
Washers

Adattabile a : **MERCEDES**

Rasamenti / Washers

**Models**

G125 - G135 Models SK

G155 - G180 - G200 Models SK

G210 - G240 - G260 Models SK - AXOR - ACTROS

G211 - G231 Models MAXI-ATEGO - AXOR - ACTROS

Fig.	CEI no.	Rif. MB	Description	Q.ty	Note	G125-G135	G155-G180-G200	G210-G240-G260	G211-G231
40	269.242	389 262 3252	Spacer Th.2,00(64,7x50) mm	1				●	●
40	269.245	389 262 3352	Spacer Th.2,50(64,7x50) mm	1				●	●
41	139.813	006 997 6447	Oil Seal 41x48x11,5	1				●	●
42	117.412	387 267 0650	Bush Th.8(34x22) mm	1				●	●
43	139.834	000 267 0197	Oil Seal 22x32x8	1				●	●
44	139.857	022 997 4248	Seal Ring	1				●	●
44	139.858	016 997 6648	Seal Ring	1				●	
45	139.818	387 263 3352	Gasket Th.0,20 mm	1		●	●	●	
45	169.844	387 263 3452	Gasket Th.0,40 mm	1		●	●	●	
45	139.819	387 263 3552	Gasket Th.0,60 mm	1		●	●	●	
45	139.820	387 263 3752	Gasket Th.1,00 mm	1		●	●	●	
46	139.596	007 997 4248	O Ring 63x3	1		●	●	●	
47	139.813	006 997 6447	Oil Seal 41x48x11,5	1		●	●	●	
48	117.412	387 267 0650	Bush Th.8(34x22) mm	1		●	●	●	
49	139.834	000 267 0197	Oil Seal 22x32x8	1		●	●	●	
50	117.412	387 267 0650	Bush Th.8(34x22) mm	1		●	●	●	
51	139.597	020 997 8948	O Ring 3,0x89,5	1		●	●	●	
53	139.834	000 267 0197	Oil Seal 22x32x8	1				●	●
54	117.412	387 267 0650	Bush Th.8(34x22) mm	1				●	●
55	139.817	024 997 8347	Oil Seal 77x90x17	1				●	●
56	139.597	020 997 8948	O Ring 3,0x89,5	1				●	●
57	139.556	019 997 0547	Oil Seal 56x72x8	1				●	●
58	269.511	000 262 8662	Oil Seal 73,5x101x7 mm	1				●	●
59	139.817	024 997 8347	Oil Seal 77x90x17	1		●	●	●	
60	139.821	389 261 1180	Gasket	1		●	●		
61	139.554	018 997 7147	Oil Deflector	1			●	●	
62	139.748	389 269 8534	Oil collector	1				●	
62	139.749	976 269 0034	Oil Collector	1					●
63	139.822	389 261 1280	Gasket	1		●	●		
63	139.905	389 261 1480	Gasket	1		●	●	●	
63	139.595	945 261 0080	Gasket	1				●	●
63	139.906	945 261 0280	Gasket	1				●	●
64	139.599	389 268 1280	Gasket	1		●	●	●	

Notes

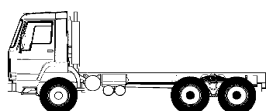
Date

04 / 2011

Table

Adattabile a : **MERCEDES**

HD7/2 - HD7/5 - HD7/11 - HD7/19



HD7 + HL7

Axles with
Ø 233 mm CWP

Models

LP-NG

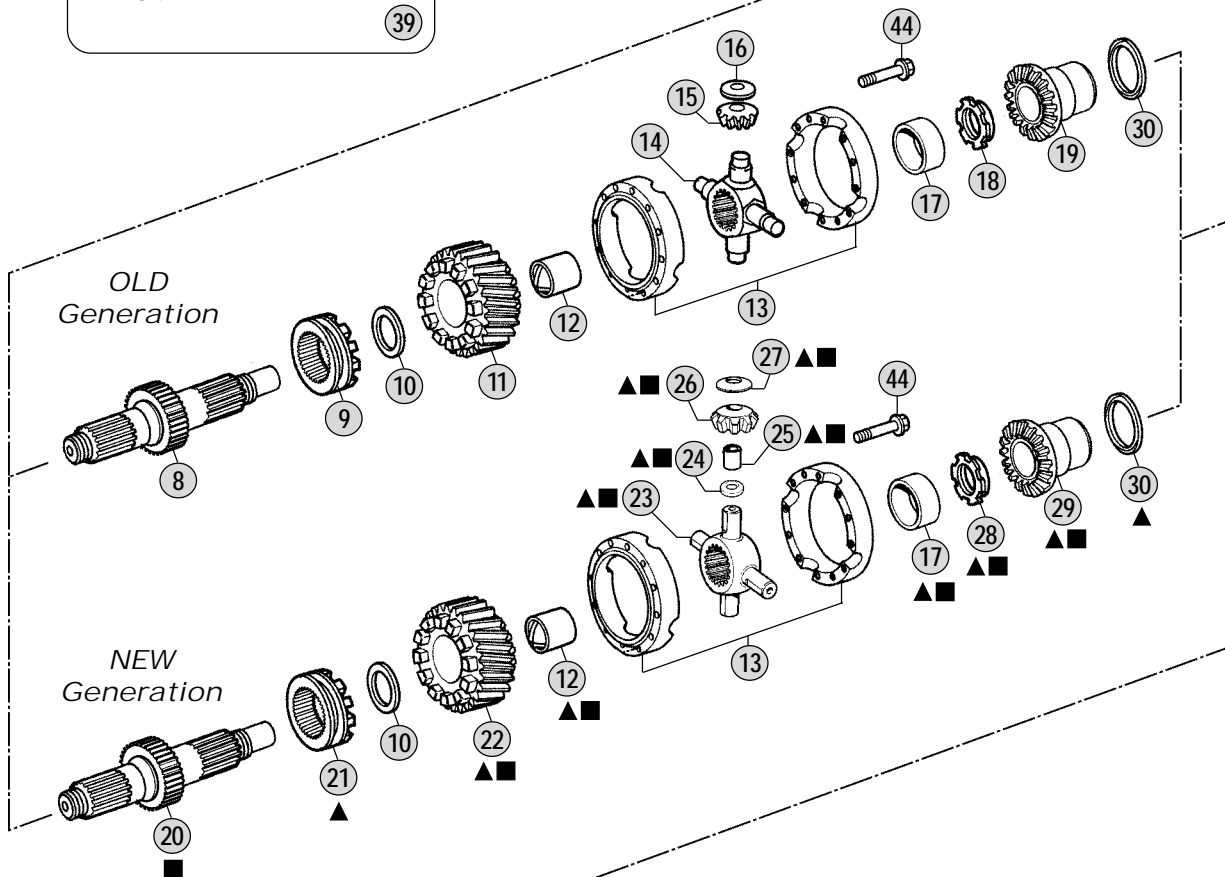
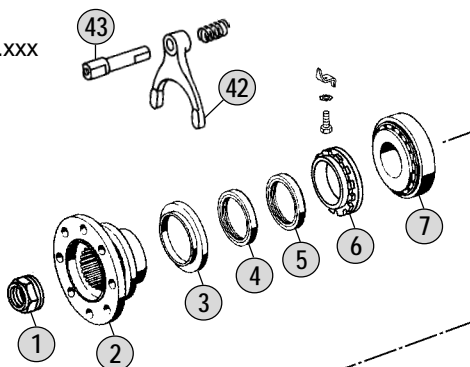
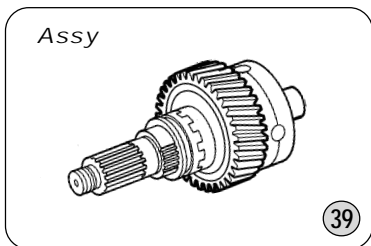
(CH 343.xxx - 346.xxx - 387.xxx - 389.xxx
391.xxx - 393.xxx - 395.xxx)

LK

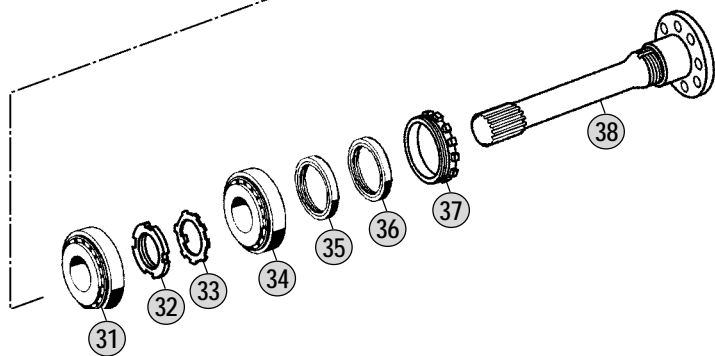
(CH From 673.xxx To 677.xxx)

MK-SK

(CH 617.xxx - 619.xxx - 651.xxx
652.xxx - 653.xxx - 659.xxx)



- MB 40
- ▲ MAN 41



All original equipment manufacturers' numbers, symbols, pictures, models and description used in this catalogue are for reference only, and it is not implied that any part listed is the product of these manufactures. Tutti i nostri particolari non sono originali ma con essi intercambiabili. I riferimenti originali, le figure, i modelli sono esposti a semplice titolo indicativo. La nostra produzione riporta il nostro marchio.

Models

HD7/2 - HD7/5 - HD7/11 - HD7/19

From **740.000** To **740.079**

From **748.990** To **748.999**



Fig.	CEI no.	Rif. MB	Description	Q.ty	Note	HD7				
1	187.250	385 351 0672	Nut M45x1,5	1		●				
2	155.275	385 350 0145	Output Flange D.150 mm	1		●				
2	155.276	653 353 0145	Output Flange D.150 mm	1		●				
2	155.265	355 350 0645	Output Flange D.165 mm	1		●				
2	155.267	355 350 0745	Output Flange D.180 mm	1		●				
2	155.213	355 350 1245	Output Flange D.180 mm	1		●				
2	155.196	355 353 2345	Output Flange D.180 mm	1		●				
3	139.890	355 353 0391	Oil Collector	1		●				
4	139.563	023 997 8547	Oil Seal 80x100x12	1		●				
5	139.564	020 997 9947	Oil Seal 80x110x10	1		●				
6	187.615	355 353 0325	Grooved Nut	1		●				
7	130.595	000625 920067	Bearing 60x130x31	1		●				
8	105.086	355 353 0235	Shaft 28/41/28 T	1		●				
9	154.160	355 353 0736	Sliding Sleeve	1		●				
10	169.668	355 353 2062	Thrust Washer T.3,65 mm (Bronze)	1		●				
10	169.669	355 353 1962	Thrust Washer T.3,85 mm (Bronze)	1		●				
10	169.670	355 353 1862	Thrust Washer T.4,00 mm (Bronze)	1		●				
10	169.821	355 353 2562	Thrust washer T.4,20 mm (Bronze)	1		●				
11	145.379	355 350 0124	Gear 28/16 T	1	With 355 353 0085 (28x28 Teeth)	●				
11	145.699	355 350 0324	Gear 30/16 T	1	With 355 353 0285 (30x28 Teeth)	●				
12	117.277	355 353 0950	Bush 60x64x50	1		●				
13	199.062	355 350 1827	Diff.Housing Empty W/Screw	1		●				
14	133.061	355 350 0128	Differential Spider	1		●				
15	182.047	355 353 0214	Side Pinion 10 T	4		●				
16	169.582	355 353 0176	Thrust Washer	4		●				
17	117.278	355 353 1050	Bush 44x49x35	1		●				
18	187.534	355 353 0026	Grooved Nut M48x1,5	1		●				
19	122.072	355 353 0215	Side Gear 16 T-22 Splines	1		●				
20	105.160	355 353 0935	Shaft 28/41/28 T	1		●				
21	154.319	355 353 1236	Sliding Sleeve	1		●				
22	145.711	355 350 1415	Gear 28/16 T	1	With 355 353 0085 (28x28 Teeth)	●				
22	145.712	355 350 0624	Gear 30/16 T	1	With 355 353 0285 (30x28 Teeth)	●				
23	133.128	653 353 0020	Differential Spider	1		●				
24	169.822	653 353 0051	Spacer	4		●				
25	117.352	653 353 0050	Bush	4		●				
26	182.075	653 353 0014	Side Pinion 10 T	4		●				
27	169.582	355 353 0176	Thrust Washer	4		●				
28	187.616	355 353 0126	Grooved Nut M48x1,5	1		●				
29	122.105	355 353 1115	Side gear 16 T-22 Splines	1		●				
30	169.671	355 353 2262	Thrust Washer 102x2,35 mm (Bronze)	1		●				
30	169.823	355 353 2462	Thrust Washer 102x2,45 mm (Bronze)	1		●				
30	169.672	355 353 2362	Thrust Washer 102x2,60 mm (Bronze)	1		●				
30	169.824	355 353 2662	Thrust Washer 102x2,80 mm (Bronze)	1		●				
31	130.596	003 981 4925	Bearing 70x125x24	1		●				
32	187.617	070852 055000	Grooved Nut M55x1,5	1		●				

Notes

Date

04 / 2011

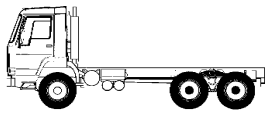
Table

0420

Intermediate Axle
with CWP Ø 233

Adattabile a : **MERCEDES**
 Suitable To :

HD7/2 - HD7/5 - HD7/11 - HD7/19



HD7 + HL7

Axles with
 Ø 233 mm CWP

Models

LP-NG

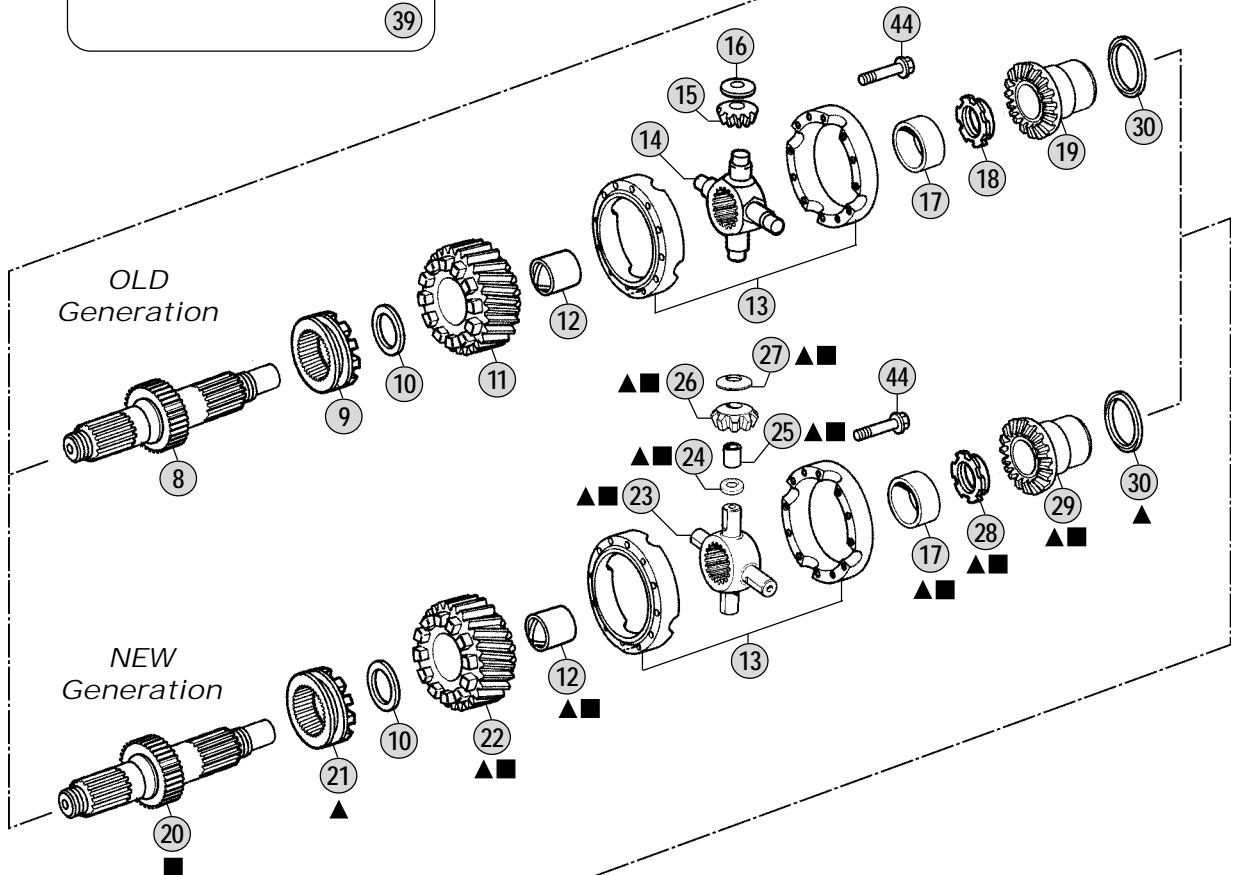
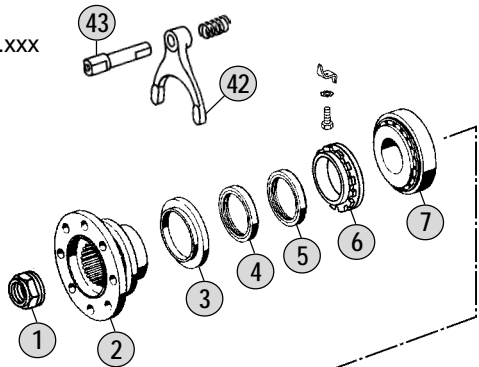
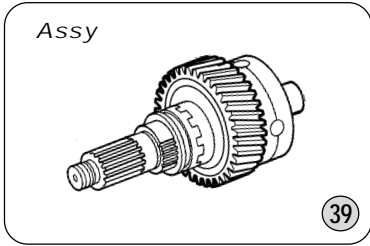
(CH 343.xxx - 346.xxx - 387.xxx - 389.xxx
 391.xxx - 393.xxx - 395.xxx)

LK

(CH From 673.xxx To 677.xxx)

MK-SK

(CH 617.xxx - 619.xxx - 651.xxx
 652.xxx - 653.xxx - 659.xxx)



- MB 40
- ▲ MAN 41

Models

HD7/2 - HD7/5 - HD7/11 - HD7/19

From **740.000** To **740.079**

From **748.990** To **748.999**



All original equipment manufacturers' numbers, symbols, pictures, models and description used in this catalogue are for reference only, and it is not implied that any part listed is the product of these manufactures.
 Tutti i nostri particolari non sono originali ma con essi intercambiabili. I riferimenti originali, le figure, i modelli sono esposti a semplice titolo indicativo. La nostra produzione riporta il nostro marchio.

Fig.	CEI no.	Rif. MB	Description	Q.ty	Note	HD7				
33	169.825	070952 055102	Thrust Washer	1		●				
34	130.597	002 981 8125	Bearing 55x100x21	1		●				
35	139.577	017 997 2747	Oil Seal 68x90x10	1		●				
36	139.578	017 997 2647	Oil Seal 68x90x10	1		●				
37	187.618	355 353 0225	Grooved Nut M102X1,5	1		●				
38	170.297	385 353 0335	Drive Shaft With Flange L=333	1		●				
38	170.126	355 353 0135	Drive Shaft With Flange L=344 D.165	1		●				
38	170.298	355 353 0735	Drive Shaft With Flange L=345 D.165	1		●				
38	170.299	385 353 0835	Drive Shaft With Flange L=345 D.150	1		●				
39	198.532	387 350 9823	Diff.Shaft Kit Assy 28 T	1	With 355 353 0085 (28x28 Teeth)	●				
39	198.905	658 350 0023	Diff.Shaft Kit Assy 30 T	1	With 355 353 0285 (30x28 Teeth)	●				
40	198.906	658 350 0223	Diff.Shaft Kit 28 T	1	With 355 353 0085 (28x28 teeth)	●				
40	198.907	658 350 0323	Diff.Shaft Kit 30 T	1	With 355 353 0285 (30x28 Teeth)	●				
41	198.908	CEI 198908	Diff.Shaft Kit 28 T	1	With 355 353 0085 (28x28 teeth)	●				
42	141.144	355 353 0234	Fork	1		●				
43	190.349	346 353 0535	Pin	1		●				
44	187.634	942 990 1004	Screw M10x70	12		●				

Intermediate Axle
with CWP Ø 233

All original equipment manufacturers' numbers, symbols, pictures, models and description used in this catalogue are for reference only, and it is not implied that any part listed is the product of these manufacturers.
Tutti i nostri particolari non sono originali ma con essi intercambiabili. I riferimenti originali, le figure, i modelli sono esposti a semplice titolo indicativo. La nostra produzione riporta il nostro marchio.

Notes

Date

04 / 2011

Table

0420

Adattabile a : **MERCEDES**

HD7/2 - HD7/5 - HD7/11 - HD7/19

Models

LP-NG

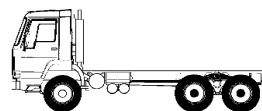
(CH 343.xxx - 346.xxx - 387.xxx
389.xxx - 391.xxx - 393.xxx - 395.xxx)

LK

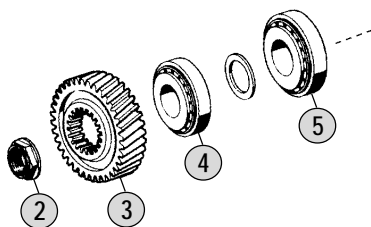
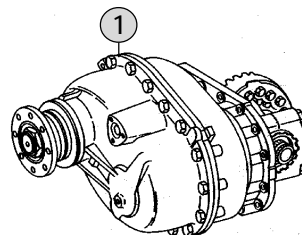
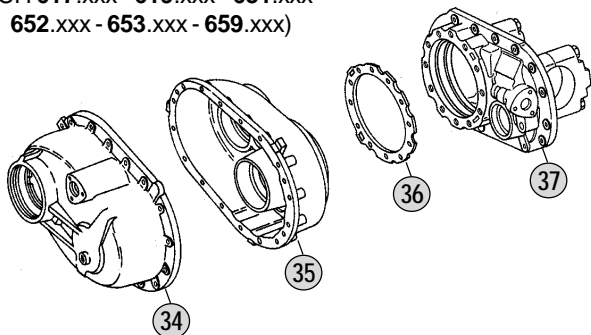
(CH From 673.xxx To 677.xxx)

MK-SK

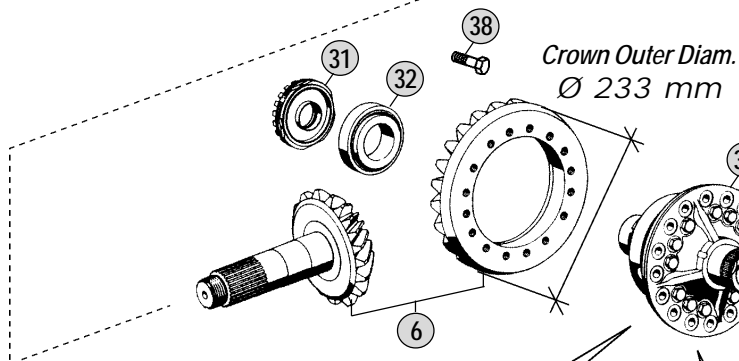
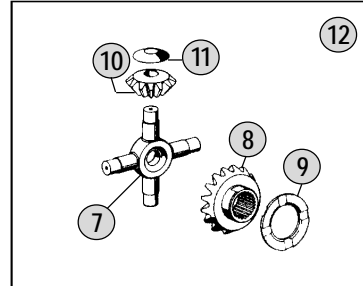
(CH 617.xxx - 619.xxx - 651.xxx
652.xxx - 653.xxx - 659.xxx)



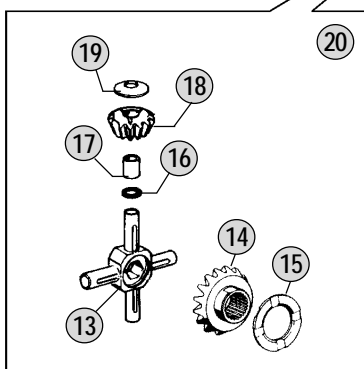
HD7 + HL7



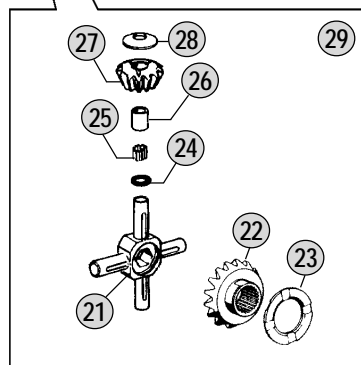
Old Type
(MAN current production)



New Type



Latest Type



All original equipment manufacturers' numbers, symbols, pictures, models and description used in this catalogue are for reference only, and it is not implied that any part listed is the product of these manufactures. Tutti i nostri particolari non sono originali ma con essi intercambiabili. I riferimenti originali, le figure, i modelli sono esposti a semplice titolo indicativo. La nostra produzione riporta il nostro marchio.

Models

HD7/2 - HD7/5 - HD7/11 - HD7/19

From **740.000** To **740.079**

From **748.990** To **748.999**



Fig.	CEI no.	Rif. MB	Description	Q.ty	Note	HD7				
1	280.717	387 350 7003	Central Gear 12x27 R.1:2,25	1		●				
1	280.718	387 350 7103	Central Gear 15x19 R.1:1,93	1		●				
1	280.719	387 350 3503	Central Gear 17x29 R.1:1,70	1		●				
1	280.720	387 350 6303	Central Gear 18x27 R.1:1,70	1		●				
1	280.721	387 350 2603	Central Gear 21x28 R.1:1,33	1		●				
1	280.722	387 350 5303	Central Gear 24x29 R.1:1,20	1		●				
1	280.723	387 350 8603	Central Gear 25x29 R.1:1,16	1		●				
2	187.250	385 351 0672	Nut M45x1,5	1		●				
3	146.313	355 353 0085	Gear 28 T	1	With 355 350 0124/1415 (28x28)	●				
3	146.530	355 353 0285	Gear 28 T	1	With 355 350 0324/0624 (30x28)	●				
4	130.317	003 981 7805	Bearing 55x120x45,5	1		●				
5	130.318	003 981 7005	Bearing 65x140x51	1		●				
6	194.644	355 350 4239	Crown & Pinion 12x27 R.=1:2,25	1	52 Km/h	●				
6	194.400	355 350 4339	Crown & Pinion 15x29 R.=1:1,93	1	60 Km/h	●				
6	194.334	355 350 3939	Crown & Pinion 17x29 R.=1:1,71	1	68 Km/h	●				
6	194.333	355 350 4039	Crown & pinion 18x27 R.=1:1,50	1	77 Km/h	●				
6	194.291	355 350 4139	Crown & Pinion 21x28 R.=1:1,33	1	87 Km/h	●				
6	194.605	355 350 4839	Crown & Pinion 24x29 R.=1:1,21	1	96 Km/h	●				
6	194.645	355 350 4939	Crown & Pinion 25x29 R.=1:1,16	1	100 Km/h	●				
7	133.127	308 353 0020	Differential Spider	1	Old Type	●				
8	122.064	355 353 0315	Side Gear 16 T-34 Splines	2	Old Type	●				
9	169.589	355 353 0562	Thrust Washer (Bronze)	2		●				
9	169.807	308 353 0062	Thrust Washer (Steel)	2		●				
10	182.051	494 335 0214	Side Pinion 10 T	4	Old Type	●				
11	169.581	494 335 0075	Thrust Washer	4	Old Type	●				
12	198.859	CEI 198859	Differential Gear Kit	1	Old Type	●				
13	133.056	355 353 0620	Differential Spider	1	New Type	●				
14	122.064	355 353 0315	Side Gear 16 T-34 Splines	2	(A) New Type	●				
14	122.103	355 353 0815	Side Gear 16 T-34 Splines	2	(B) New Type	●				
15	169.589	355 353 0562	Thrust Washer (Bronze)	2		●				
15	169.807	308 353 0062	Thrust Washer (Steel)	2		●				
16	115.010	355 353 6051	Spacer Ring	4	New Type	●				
17	117.253	355 353 0750	Bush 22x26x24,5	4	New Type	●				
18	182.051	494 335 0214	Side Pinion 10 T	4	(A) New Type	●				
18	182.076	355 353 0614	Side Pinion 10 T	4	(B) New Type	●				
19	169.581	494 335 0075	Thrust Washer	4	New Type	●				
20	198.365	393 586 0035	Differential Gear Kit	1	(A) New Type	●				
20	198.910	393 350 0040	Differential Gear Kit	1	(B) New Type	●				
21	133.129	395 353 0320	Differential Spider	1	Latest Type	●				
22	122.104	355 353 0615	Side Gear 14 T-34 Splines	2	Latest Type	●				
23	169.589	355 353 0562	Thrust Washer (Bronze)	2		●				
23	169.807	308 353 0062	Thrust Washer (Steel)	2		●				
24	115.025	395 353 0551	Spacer	4	Latest Type	●				
25	198.911	395 981 0287	Needle Kit (156 Pcs)	1	Latest Type	●				
26	117.353	395 353 0351	Bush	4	Latest Type	●				

Notes

(A - B) To be coupled together

Date

04 / 2011

Table

0430

All original equipment manufacturers numbers, symbols, pictures, models and description used in this catalogue are for reference only, and it is not implied that any part listed is the product of these manufactures.
Tutti i nostri particolari non sono originali ma con essi intercambiabili. I riferimenti originali, le figure, i modelli sono esposti a semplice titolo indicativo. La nostra produzione riporta il nostro marchio.

Adattabile a : **MERCEDES**

HD7/2 - HD7/5 - HD7/11 - HD7/19

Models

LP-NG

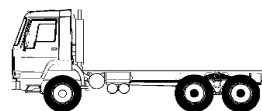
(CH 343.xxx - 346.xxx - 387.xxx
389.xxx - 391.xxx - 393.xxx - 395.xxx)

LK

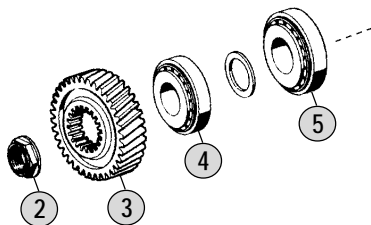
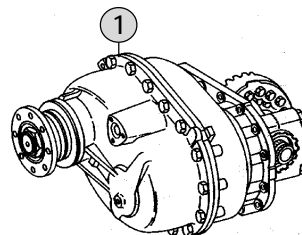
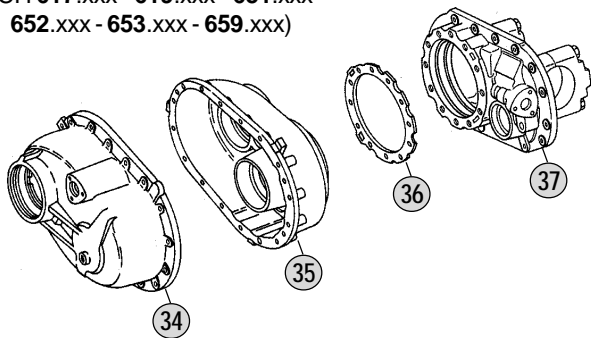
(CH From 673.xxx To 677.xxx)

MK-SK

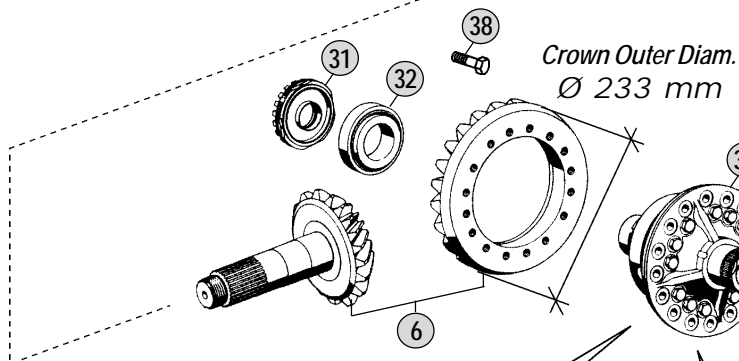
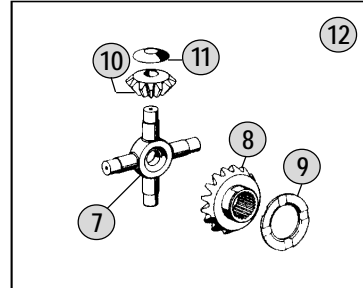
(CH 617.xxx - 619.xxx - 651.xxx
652.xxx - 653.xxx - 659.xxx)



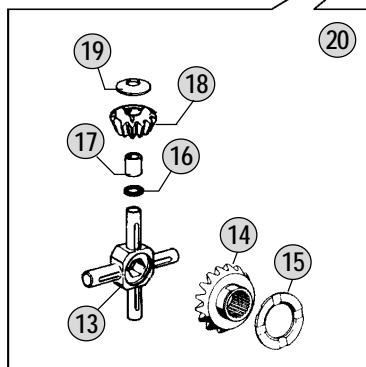
HD7 + HL7



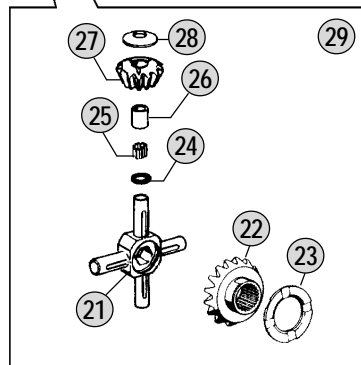
Old Type
(MAN current production)



New Type



Latest Type



All original equipment manufacturers' numbers, symbols, pictures, models and description used in this catalogue are for reference only, and it is not implied that any part listed is the product of these manufactures. Tutti i nostri particolari non sono originali ma con essi intercambiabili. I riferimenti originali, le figure, i modelli sono esposti a semplice titolo indicativo. La nostra produzione riporta il nostro marchio.

Models

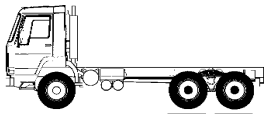
HD7/2 - HD7/5 - HD7/11 - HD7/19

From 740.000 To 740.079

From 748.990 To 748.999



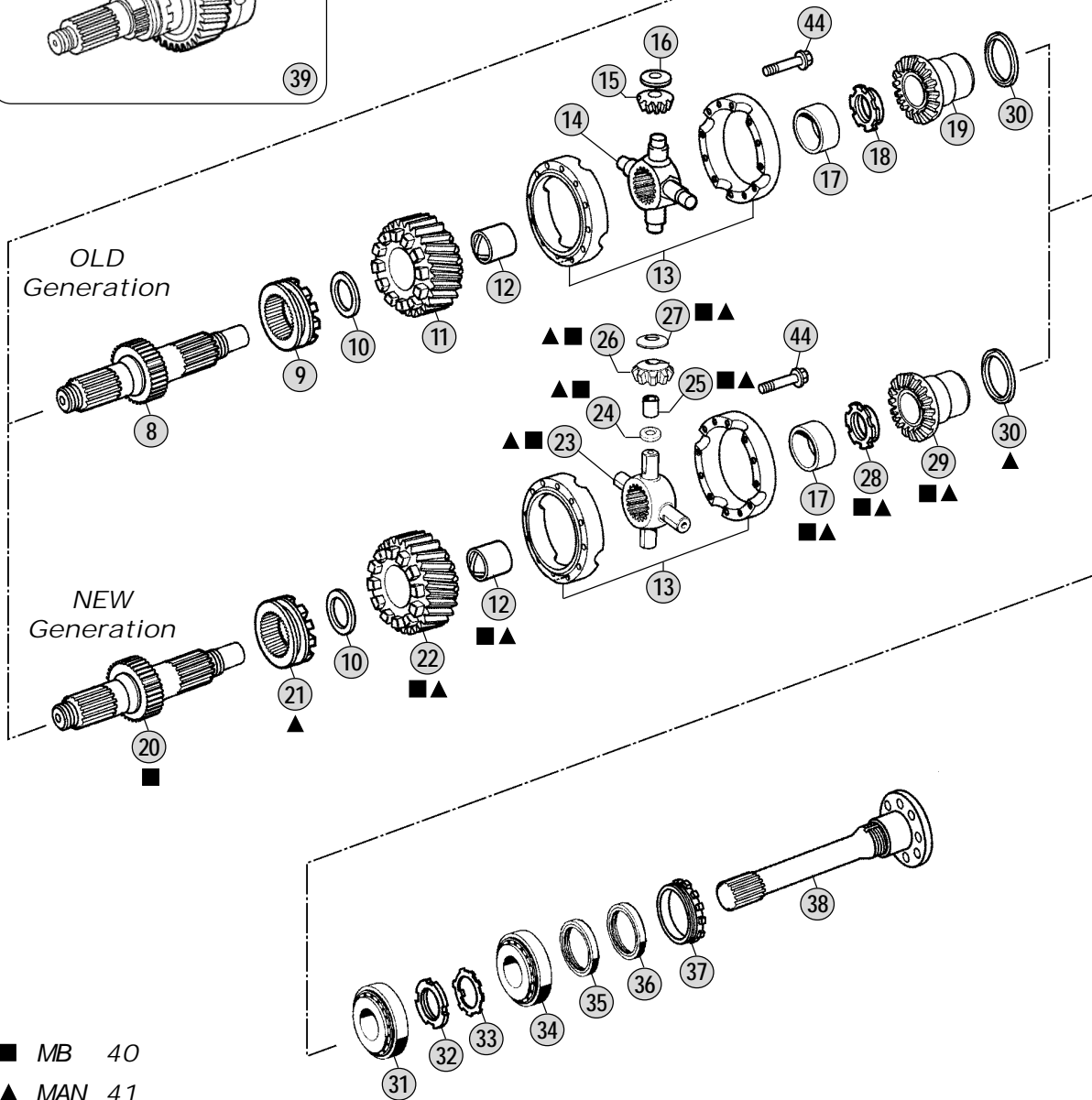
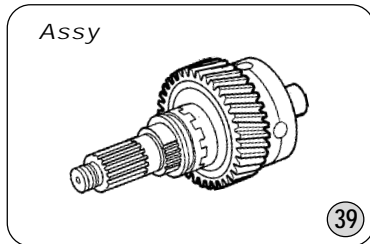
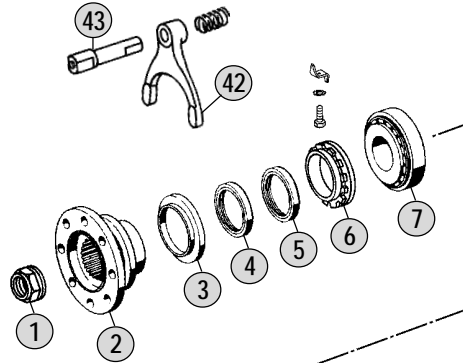
Adattabile a : **MERCEDES**
Suitable To :



HD7 + HL7

Axles with
Ø 300 mm CWP

Models
LP-NG
(CH 343.xxx - 346.xxx - 387.xxx -
389.xxx - 391.xxx - 393.xxx - 395.xxx)
LK
(CH From 673.xxx To 677.xxx)
MK-SK
(CH 617.xxx - 619.xxx - 651.xxx
652.xxx - 653.xxx - 659.xxx)
ACTROS MP1
(CH From 950.xxx To 954.xxx)
MAXI-ATEGO
(CH From 950.500 to 950.563)



- MB 40
- ▲ MAN 41

Models

HD7/9 - HD7/14 - HD7/16
From **740.500** To **740.550**

All original equipment manufacturers' numbers, symbols, pictures, models and description used in this catalogue are for reference only, and it is not implied that any part listed is the product of these manufactures. Tutti i nostri particolari non sono originali ma con essi intercambiabili. I riferimenti originali, le figure, i modelli sono esposti a semplice titolo indicativo. La nostra produzione riporta il nostro marchio.

Fig.	CEI no.	Rif. MB	Description	Q.ty	Note	HDT/9-14-16				
1	187.536	946 351 0072	Nut M55x1,5	1		●				
2	155.071	346 350 0545	Output Flange D.180 mm	1		●				
2	197.073	942 350 0045	Output Flange D.180 mm	1		●				
2	197.217	346 350 1645	Output Flange D.200 mm	1		●				
2	197.218	346 350 0945	Output Flange D.255 mm	1		●				
3	139.894	346 353 0090	Oil Collector	1		●				
4	139.585	017 997 2847	Oil seal 105x85x16	1		●				
5	139.586	017 997 2947	Oil seal 105x85x16	1		●				
6	187.516	346 353 0825	Adjusting ring	1		●				
7	130.321	000625 920066	Bearing 65x140x33	1		●				
8	105.079	346 353 0335	Shaft 31/42/34 T	1		●				
9	154.146	346 353 0836	Sliding sleeve	1		●				
10	169.637	346 353 1962	Thrust Washer T.3,65 mm (Bronze)	1		●				
10	169.636	346 353 1862	Thrust Washer T.3,85 mm (Bronze)	1		●				
10	169.524	346 353 1762	Thrust Washer Sp.4,00 mm (Bronze)	1		●				
10	269.184	346 353 2662	Thrust Washer Sp.4,20 mm (Bronze)	1		●				
11	196.258	346 353 0385	Gear 30/18 T	1		●				
12	117.235	346 353 0450	Bush 70x75x53	1		●				
13	199.081	346 350 2327	Differential Housing Empty	1		●				
14	133.060	346 350 0128	Differential Spider	1		●				
15	182.048	346 353 0514	Side Pinion 11 T	4		●				
16	169.496	346 353 0224	Thrust Washer	4		●				
17	117.236	346 353 0650	Bush	1		●				
18	187.507	346 353 0126	Grooved Nut M60x1,5	1		●				
19	122.059	346 353 0515	Side Gear 18 T-26 Splines	1		●				
20	105.161	346 353 0735	Shaft 31/42/34 T	1		●				
21	154.320	346 353 1136	Sliding Sleeve	1		●				
22	145.865	346 350 1324	Gear 30/18 T	1		●				
23	133.108	659 353 0020	Differential Spider	1		●				
24	169.739	659 353 0051	Spacer	4		●				
25	117.300	659 353 0050	Bush	4		●				
26	182.063	659 353 0014	Side Pinion 11 T	4		●				
27	169.496	346 353 0224	Thrust Washer	4		●				
28	187.621	346 353 0326	Grooved Nut M60x1,5	1		●				
29	122.088	346 353 1115	Side Gear 18 T-26 Spl.	1		●				
30	169.497	346 353 2462	Thrust Washer T.2,35 mm (Bronze)	1		●				
30	169.525	346 353 2562	Thrust Washer T.2,60 mm (Bronze)	1		●				
31	130.322	000000 000759	Bearing 80x140x26	1		●				
32	187.622	674 356 0226	Grooved Nut M60x1,5	1		●				
33	169.829	070952 060102	Thrust Washer	1		●				
34	130.323	005 981 5925	Bearing 60x110x22	1		●				
35	139.587	017 997 3147	Oil Seal Th.2,85(75x95x10) mm	1		●				
36	139.588	017 997 3047	Oil Seal 75x95x10	1		●				
37	187.623	346 353 0925	Grooved Nut	1		●				
38	170.102	346 353 0435	Drive Shaft with Flange L=392	1		●				

Notes

Date

04 / 2011

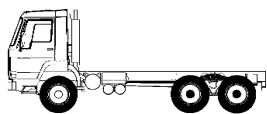
Table

0440

Intermediate Axle
with CWP Ø 300

Adattabile a : **MERCEDES**
 Suitable To :

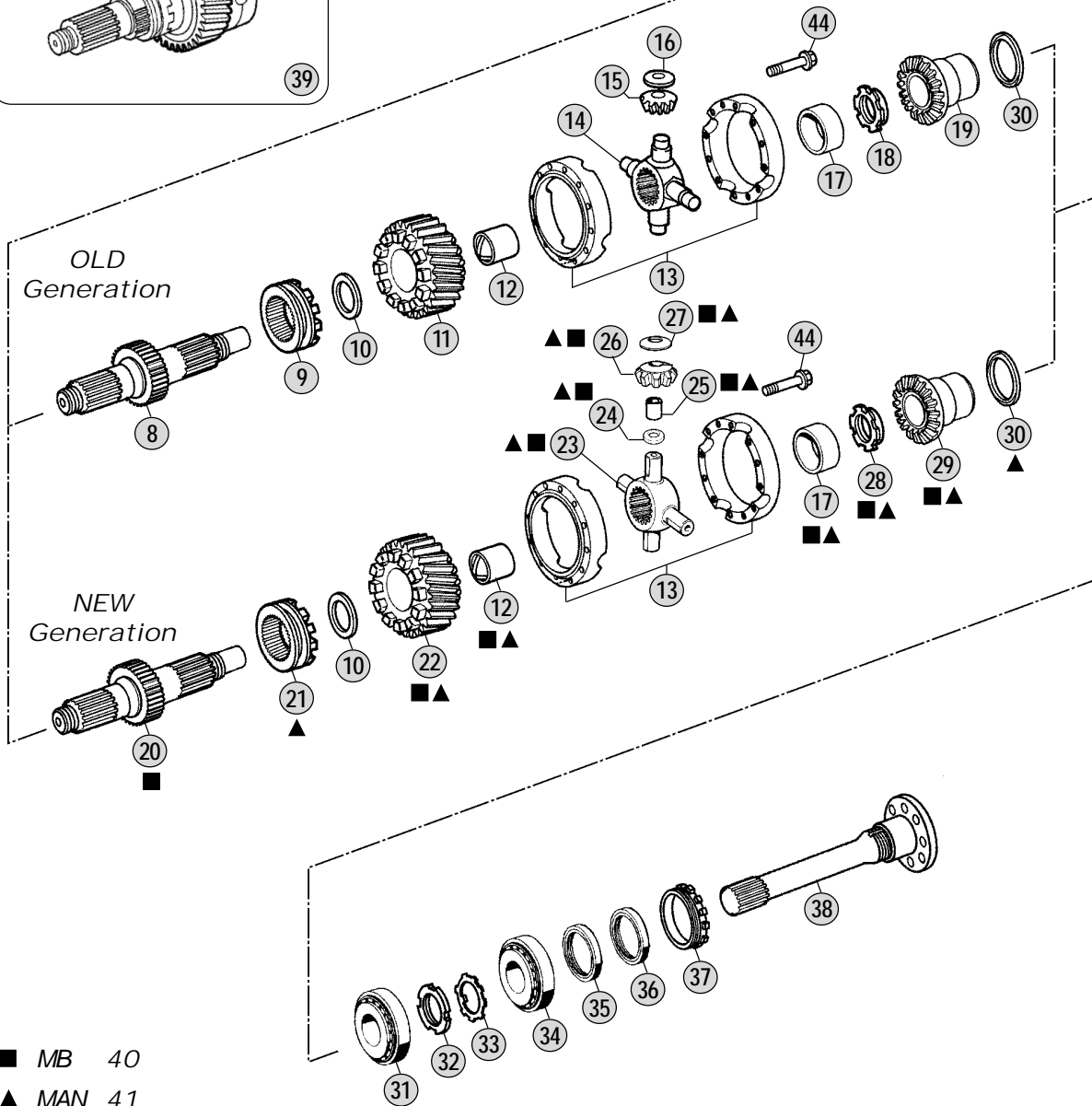
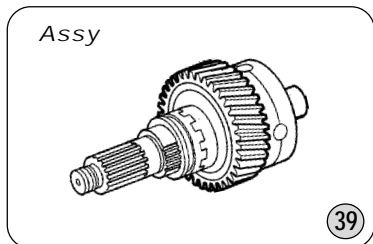
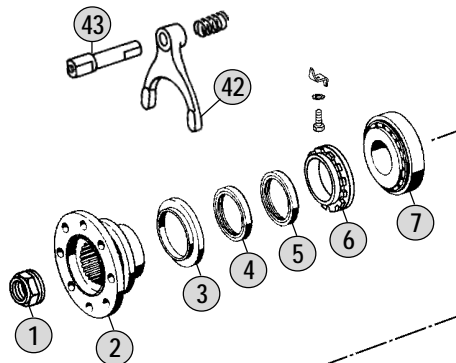
Ponte Intermedio / Intermediate Axle
 HD7/9 - HD7/14 - HD7/16



HD7 + HL7

Axles with
 Ø 300 mm CWP

Models
LP-NG
 (CH 343.xxx - 346.xxx - 387.xxx -
 389.xxx - 391.xxx - 393.xxx - 395.xxx)
LK
 (CH From 673.xxx To 677.xxx)
MK-SK
 (CH 617.xxx - 619.xxx - 651.xxx
 652.xxx - 653.xxx - 659.xxx)
ACTROS MP1
 (CH From 950.xxx To 954.xxx)
MAXI-ATEGO
 (CH From 950.500 to 950.563)



- MB 40
- ▲ MAN 41

Models

HD7/9 - HD7/14 - HD7/16
 From **740.500** To **740.550**

All original equipment manufacturers' numbers, symbols, pictures, models and description used in this catalogue are for reference only, and it is not implied that any part listed is the product of these manufactures.
 Tutti i nostri particolari non sono originali ma con essi intercambiabili. I riferimenti originali, le figure, i modelli sono esposti a semplice titolo indicativo. La nostra produzione riporta il nostro marchio.



Adattabile a : **MERCEDES**
 Suitable To :

Ponte Intermedio / Intermediate Axle
 HD7/9 - HD7/14 - HD7/16

Models

LP-NG

(CH 343.xxx - 346.xxx - 387.xxx
 389.xxx - 391.xxx - 393.xxx - 395.xxx)

LK

(CH From 673.xxx To 677.xxx)

MK-SK

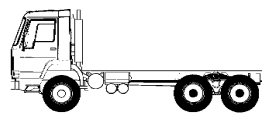
(CH 617.xxx - 619.xxx - 651.xxx
 652.xxx - 653.xxx - 659.xxx)

ACTROS MP1

(CH From 950.xxx To 954.xxx)

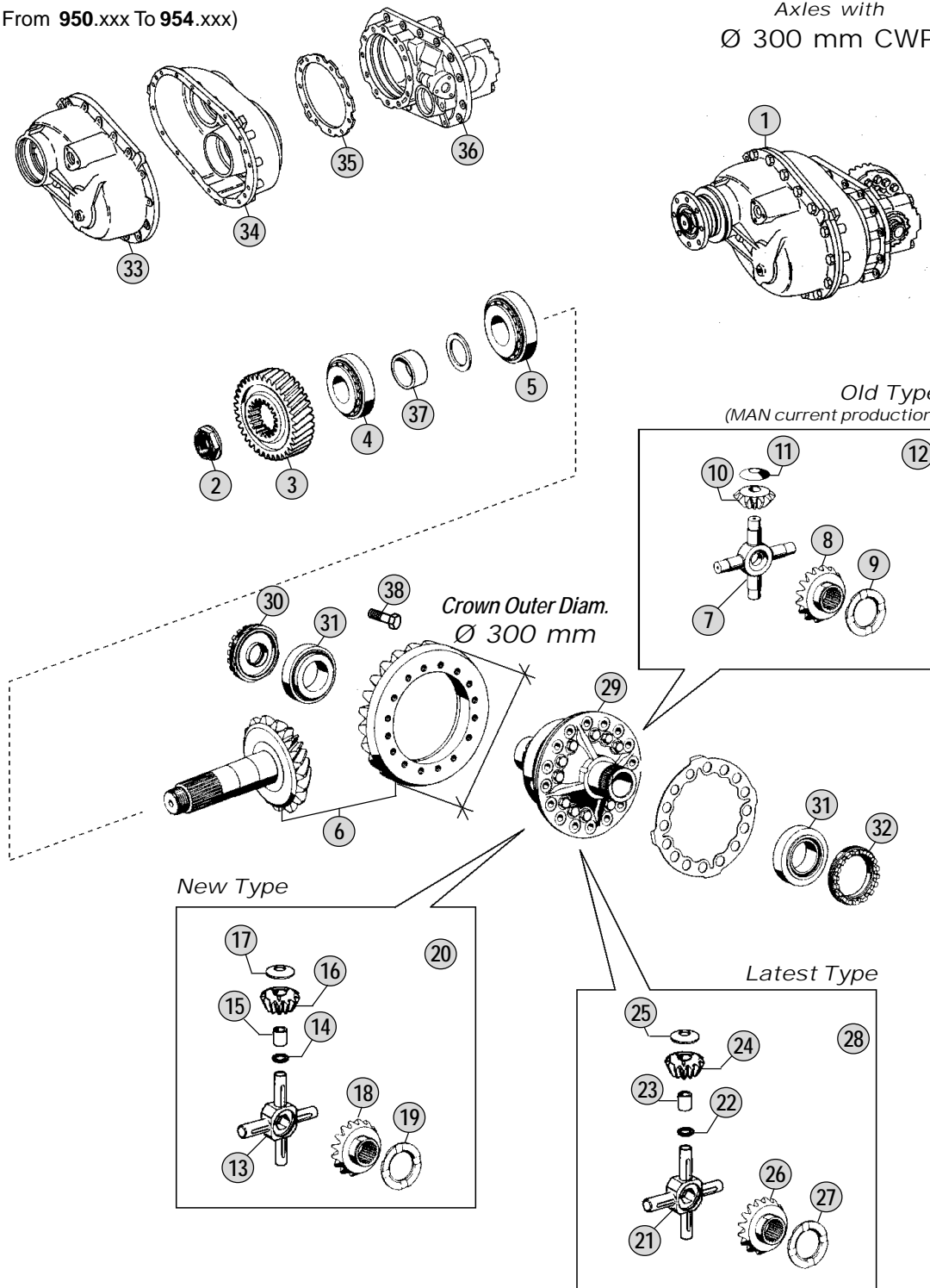
MAXI-ATEGO

(CH From 950.500 to 950.563)



HD7 + HL7

Axles with
 Ø 300 mm CWP



All original equipment manufacturers' numbers, symbols, pictures, models and description used in this catalogue are for reference only, and it is not implied that any part listed is the product of these manufactures.
 Tutti i nostri particolari non sono originali ma con essi intercambiabili. I riferimenti originali, le figure, i modelli sono esposti a semplice titolo indicativo. La nostra produzione riporta il nostro marchio.

Models

HD7/9 - HD7/14 - HD7/16
 From **740.500** To **740.550**

Fig.	CEI no.	Rif. MB	Description	Q.ty	Note	HDT/9-14-16				
1	280.724	346 350 2703	Central Gear 12x27 R.1:2,25	1		●				
1	280.725	346 350 2720	Central Gear 15x19 R.1:1,93	1		●				
1	280.726	655 350 0320	Central Gear 17x29 R.1:1,70	1		●				
1	280.727	346 350 2520	Central Gear 18x27 R.1:1,70	1		●				
1	280.728	655 350 1220	Central Gear 21x28 R.1:1,33	1		●				
1	280.729	346 350 8820	Central Gear 24x29 R.1:1,20	1		●				
2	187.536	946 351 0072	Nut M55x1,5	1		●				
3	146.312	346 353 0085	Gear 30 T	1		●				
4	130.318	003 981 7005	Bearing 65x140x51	1		●				
5	130.598	003 981 3105	Bearing 70x150x38	1		●				
6	194.288	346 350 3139	Crown & Pinion 12x27 R.=1:2,25	1	(A)	●				
6	194.286	346 350 2339	Crown & Pinion 15x29 R.=1:1,93	1	(A)	●				
6	194.335	346 350 2639	Crown & Pinion 17x29 R.=1:1,71	1	(A)	●				
6	194.336	346 350 2739	Crown & Pinion 18x27 R.=1:1,50	1	(A)	●				
6	194.601	346 350 2939	Crown & Pinion 21x28 R.=1:1,33	1	(A)	●				
6	194.420	346 350 3639	Crown & Pinion 24x29 R.=1:1,21	1	(B)	●				
7	133.024	346 350 0228	Differential Spider	1	Old Type	●				
8	122.005	346 353 0315	Side Gear 16 T-40 Splines	2	(1) Old Type	●				
8	122.076	346 353 0815	Side Gear 16 T-40 Splines	2	(2) Old Type	●				
9	169.137	346 353 2262	Thrust Washer	2		●				
10	182.003	366 353 0414	Side Pinion 11 T	4	(1) Old Type	●				
10	182.080	CEI 182080	Side Pinion 11 T	4	(2) Old Type	●				
11	169.136	346 353 0124	Thrust Washer	4		●				
12	198.915	CEI 198915	Differential Gear Kit	1	(2) Old Type	●				
13	133.013	346 353 0420	Differential Spider	1	New Type	●				
14	115.006	346 353 3251	Spacer	4	New Type	●				
15	117.083	346 353 0950	Bush 28x32x35	4	New Type	●				
16	182.027	346 353 0614	Side Pinion 11 T	4	New Type	●				
17	169.136	346 353 0124	Thrust Washer	4		●				
18	122.005	346 353 0315	Side Gear 16 T-40 Splines	2	New Type	●				
19	169.137	346 353 2262	Thrust Washer	2		●				
20	198.128	387 586 0035	Differential Gear kit	1	New Type	●				
21	133.013	346 353 0420	Differential Spider	1	Latest Type	●				
22	115.006	346 353 3251	Spacer	4	Latest Type	●				
23	117.083	346 353 0950	Bush 28x32x35	4	Latest Type	●				
24	182.056	346 353 1014	Side Pinion 11 T	4	Latest Type	●				
25	169.136	346 353 0124	Thrust Washer	4		●				
26	122.076	346 353 0815	Side Gear 16 T-40 Splines	2	Latest Type	●				
27	169.137	346 353 2262	Thrust Washer	2		●				
28	198.557	387 350 0040	Differential Gear kit	1	Latest Type	●				
29	199.048	346 350 0427	Differential Housing Empty	1	(A)	●				
29	199.046	346 350 8123	Differential Housing Assy	1	(A)	●				
29	199.105	346 350 0827	Differential Housing Empty	1	(B)	●				
29	199.101	346 350 6623	Differential Housing Assy	1	(B)	●				
30	187.514	346 350 0443	Grooved Nut	1		●				

Notes

(A - B) To be coupled together
(1 - 2) To be coupled together

Date

04 / 2011

Table

0450

All original equipment manufacturers numbers, symbols, pictures, models and description used in this catalogue are for reference only, and it is not implied that any part listed is the product of these manufactures.
Tutti i nostri particolari non sono originali ma con essi intercambiabili. I riferimenti originali, le figure, i modelli sono esposti a semplice titolo indicativo. La nostra produzione riporta il nostro marchio.

Adattabile a : **MERCEDES**
 Suitable To :

Ponte Intermedio / Intermediate Axle
 HD7/9 - HD7/14 - HD7/16

Models

LP-NG

(CH 343.xxx - 346.xxx - 387.xxx
 389.xxx - 391.xxx - 393.xxx - 395.xxx)

LK

(CH From 673.xxx To 677.xxx)

MK-SK

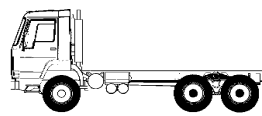
(CH 617.xxx - 619.xxx - 651.xxx
 652.xxx - 653.xxx - 659.xxx)

ACTROS MP1

(CH From 950.xxx To 954.xxx)

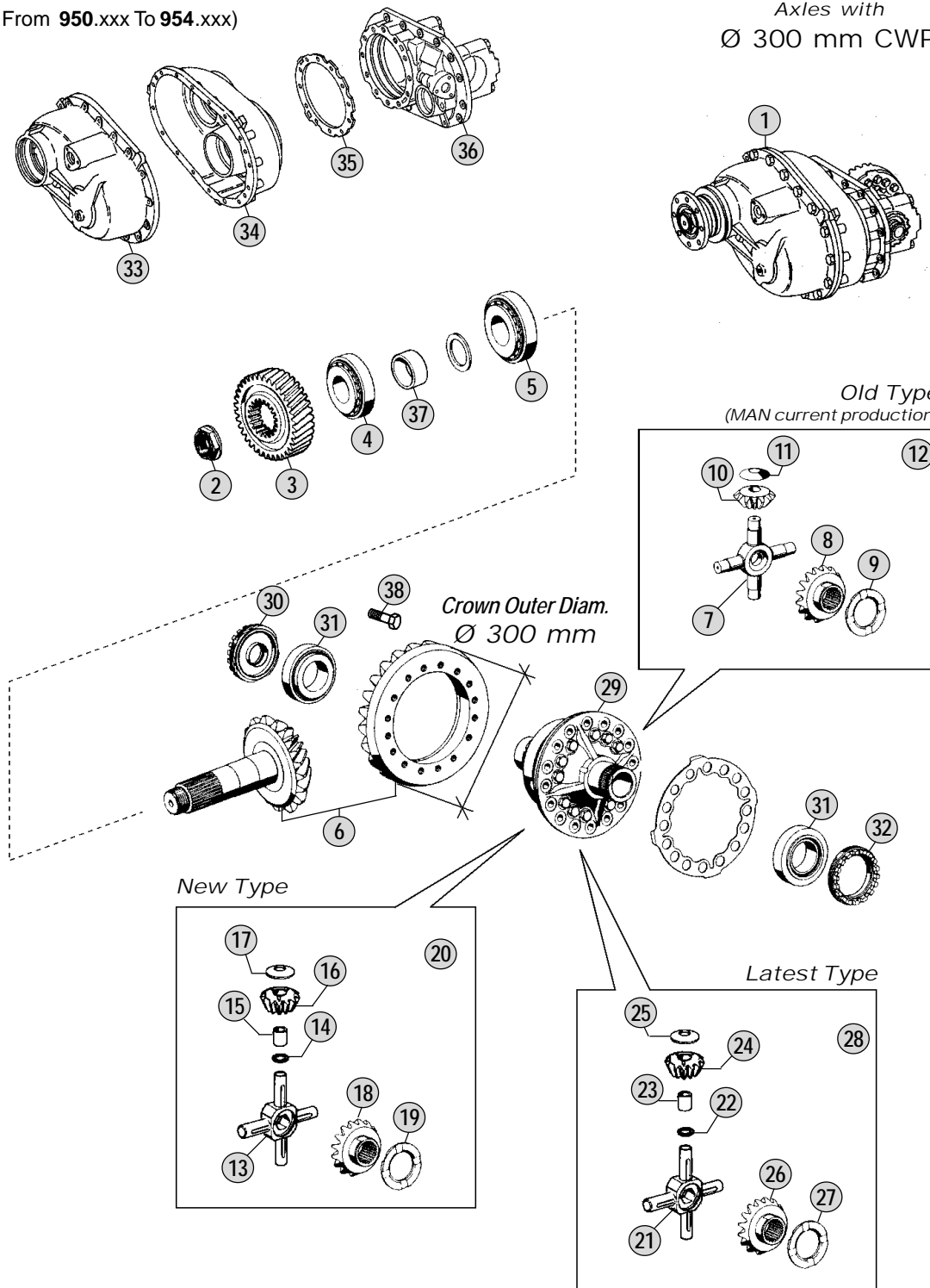
MAXI-ATEGO

(CH From 950.500 to 950.563)



HD7 + HL7

Axles with
 Ø 300 mm CWP



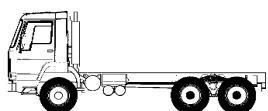
All original equipment manufacturers' numbers, symbols, pictures, models and description used in this catalogue are for reference only, and it is not implied that any part listed is the product of these manufactures.
 Tutti i nostri particolari non sono originali ma con essi intercambiabili. I riferimenti originali, le figure, i modelli sono esposti a semplice titolo indicativo. La nostra produzione riporta il nostro marchio.

Models

HD7/9 - HD7/14 - HD7/16
 From **740.500** To **740.550**

Adattabile a : **MERCEDES**
 Suitable To :

Ponte Intermedio / Intermediate Axle
 HD4/21 G - HD4/21 DG-10



HD4 + HL4

Axles with
 Ø 368 mm CWP

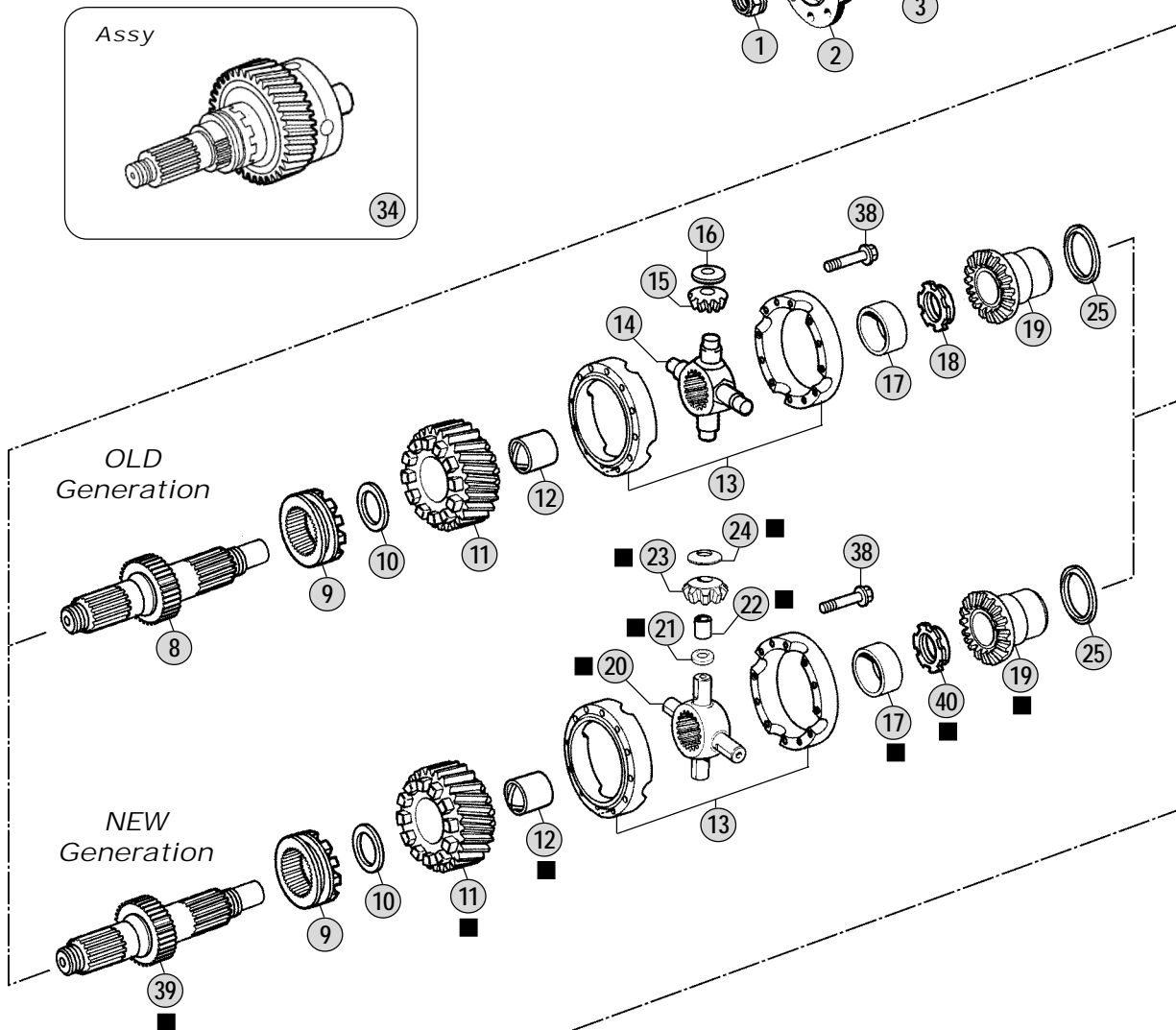
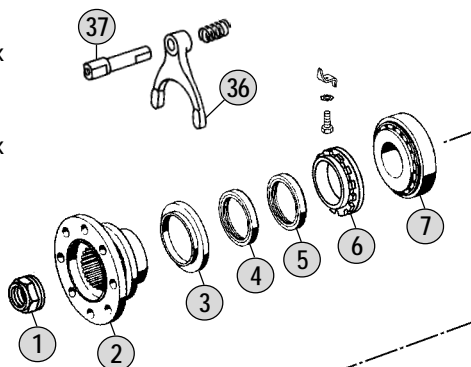
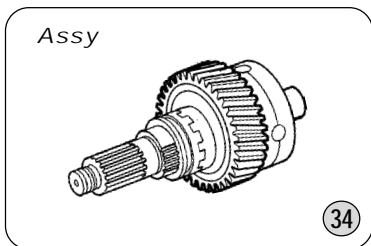
Models

LP-NG

(CH 387.xxx - 389.xxx - 391.xxx
 393.xxx - 395.xxx)

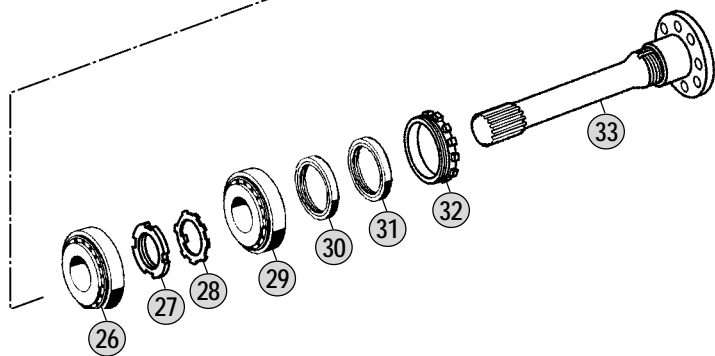
MK-SK

(CH 617.xxx - 619.xxx - 651.xxx
 652.xxx - 653.xxx - 659.xxx)



Kits

■ MB 35



All original equipment manufacturers' numbers, symbols, pictures, models and description used in this catalogue are for reference only, and it is not implied that any part listed is the product of these manufactures. Tutti i nostri particolari non sono originali ma con essi intercambiabili. I riferimenti originali, le figure, i modelli sono esposti a semplice titolo indicativo. La nostra produzione riporta il nostro marchio.

Models

HD4/21 G - HD4/21 DG-10

744.803-807-809-830-832-834-842-845-854-856-858-860-862-863-868-870-876



Fig.	CEI no.	Rif. MB	Description	Q.ty	Note	HDM21 G / DG-10				
1	187.250	385 351 0672	Nut M45x1,5	1		●				
2	155.275	385 350 0145	Output Flange D.150 mm	1		●				
2	155.276	653 353 0145	Output Flange D.150 mm	1		●				
2	155.265	355 350 0645	Output Flange D.165 mm	1		●				
3	139.890	355 353 0391	Oil Collector	1		●				
4	139.563	023 997 8547	Oil Seal 80x100x12	1		●				
5	139.564	020 997 9947	Oil Seal 80x110x10	1		●				
6	187.615	355 353 0325	Grooved Nut	1		●				
7	130.595	000625 920067	Bearing 60x130x31	1		●				
8	105.086	355 353 0235	Shaft 28/41/28 T	1		●				
9	154.319	355 353 1236	Sliding Sleeve	1		●				
10	169.670	355 353 1862	Thrust Washer T.4,00 mm (Bronze)	1		●				
10	169.669	355 353 1962	Thrust Washer T.3,85 mm (Bronze)	1		●				
11	244.091	385 353 0085	Gear 30/16 T	1		●				
12	117.277	355 353 0950	Bush 60x64x50	1		●				
13	199.062	355 350 1827	Diff.Housing Empty W/Screw	1		●				
14	133.061	355 350 0128	Differential Spider	1		●				
15	182.047	355 353 0214	Side Pinion 10 T	4		●				
16	169.582	355 353 0176	Thrust Washer	4		●				
17	117.278	355 353 1050	Bush 44x49x35	1		●				
18	187.534	355 353 0026	Grooved Nut M48x1,5	1		●				
19	122.238	385 353 0115	Side Gear 16 T / 22 Spl	1		●				
20	133.128	653 353 0020	Differential Spider	1		●				
21	169.822	653 353 0051	Spacer	4		●				
22	117.352	653 353 0050	Bush	4		●				
23	182.075	653 353 0014	Side Pinion 10 T	4		●				
24	169.582	355 353 0176	Thrust Washer	4		●				
25	169.671	355 353 2262	Thrust Washer 102x2,35 mm (Bronze)	1		●				
25	169.823	355 353 2462	Thrust Washer 102x2,45 mm (Bronze)	1		●				
25	169.672	355 353 2362	Thrust Washer 102x2,60 mm (Bronze)	1		●				
25	169.824	355 353 2662	Thrust Washer 102x2,80 mm (Bronze)	1		●				
26	130.881	003 981 4825	Bearing	1		●				
27	187.617	070852 055000	Grooved Nut M55x1,5	1		●				
28	169.825	070952 055102	Thrust Washer	1		●				
29	130.597	002 981 8125	Bearing 55x100x21	1		●				
30	139.577	017 997 2747	Oil Seal 68x90x10	1		●				
31	139.578	017 997 2647	Oil Seal 68x90x10	1		●				
32	187.618	355 353 0225	Grooved Nut M102X1,5	1	(A)	●				
32	287.050	385 353 1025	Grooved Nut	1	(B)	●				
33	170.302	355 353 0335	Drive Shaft With Flange	1	(A)	●				
33	170.297	385 353 0335	Drive Shaft With Flange L=333	1	(B)	●				
34	298.215	387 350 9723	Differential Shaft Kit	1		●				
35	298.223	658 350 0123	Differential Gear kit	1		●				
36	141.229	385 353 0034	Fork	1		●				
37	190.349	346 353 0535	Pin	1		●				

Notes

(A - B) To be coupled together

Date

04 / 2011

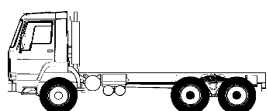
Table

0460

All original equipment manufacturers numbers, symbols, pictures, models and description used in this catalogue are for reference only, and it is not implied that any part listed is the product of these manufactures.
Tutti i nostri particolari non sono originali ma con essi intercambiabili. I riferimenti originali, le figure, i modelli sono esposti a semplice titolo indicativo. La nostra produzione riporta il nostro marchio.

Adattabile a : **MERCEDES**
 Suitable To :

Ponte Intermedio / Intermediate Axle
 HD4/21 G - HD4/21 DG-10



HD4 + HL4

Axles with
 Ø 368 mm CWP

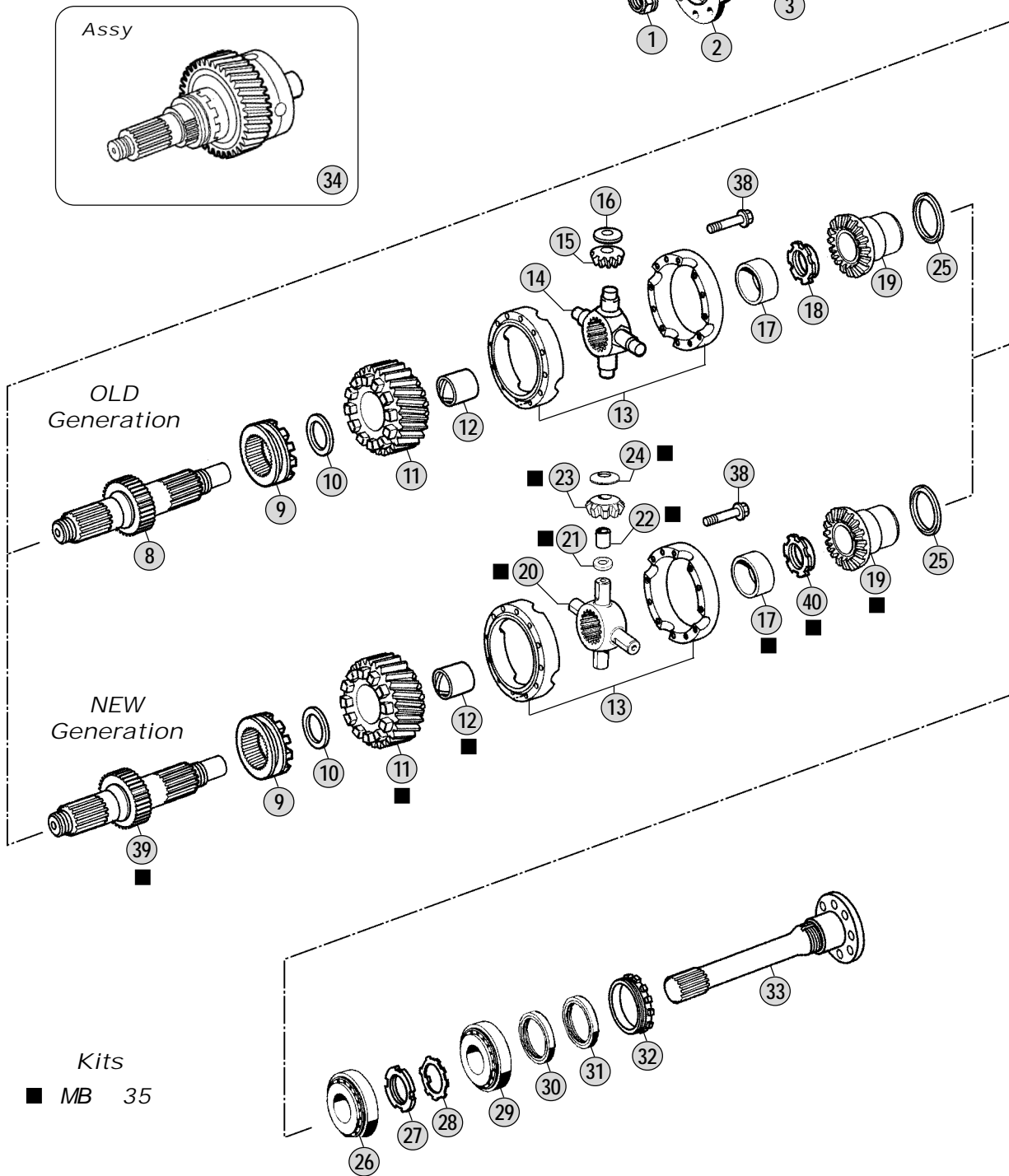
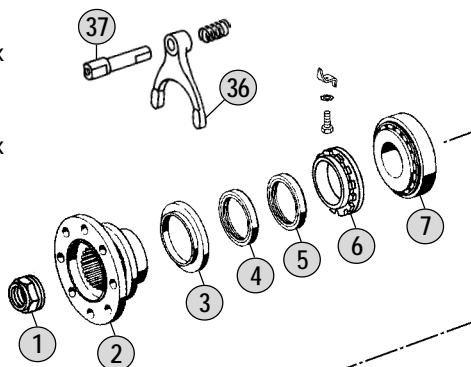
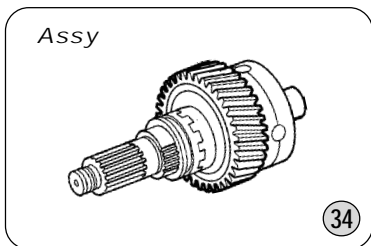
Models

LP-NG

(CH 387.xxx - 389.xxx - 391.xxx
 393.xxx - 395.xxx)

MK-SK

(CH 617.xxx - 619.xxx - 651.xxx
 652.xxx - 653.xxx - 659.xxx)



Models

HD4/21 G - HD4/21 DG-10

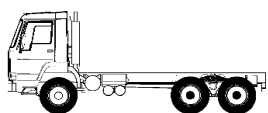
744.803-807-809-830-832-834-842-845-854-856-858-860-862-863-868-870-876



All original equipment manufacturers' numbers, symbols, pictures, models and description used in this catalogue are for reference only, and it is not implied that any part listed is the product of these manufactures. Tutti i nostri particolari non sono originali ma con essi intercambiabili. I riferimenti originali, le figure, i modelli sono esposti a semplice titolo indicativo. La nostra produzione riporta il nostro marchio.

Adattabile a : **MERCEDES**
 Suitable To :

Ponte Intermedio / Intermediate Axle
 HD4/21 G - HD4/21 DG-10



HD4 + HD4

Axles with
 \varnothing 368 mm CWP

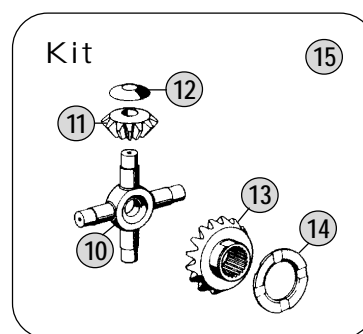
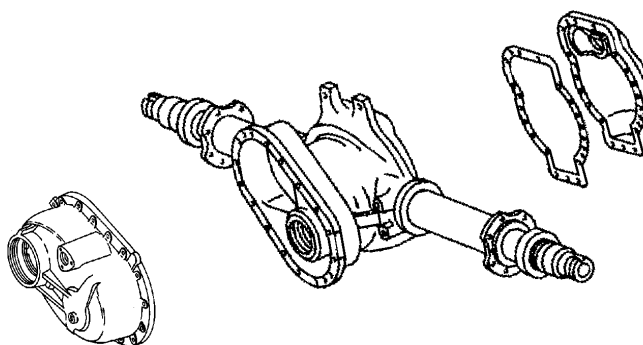
Models

LP-NG

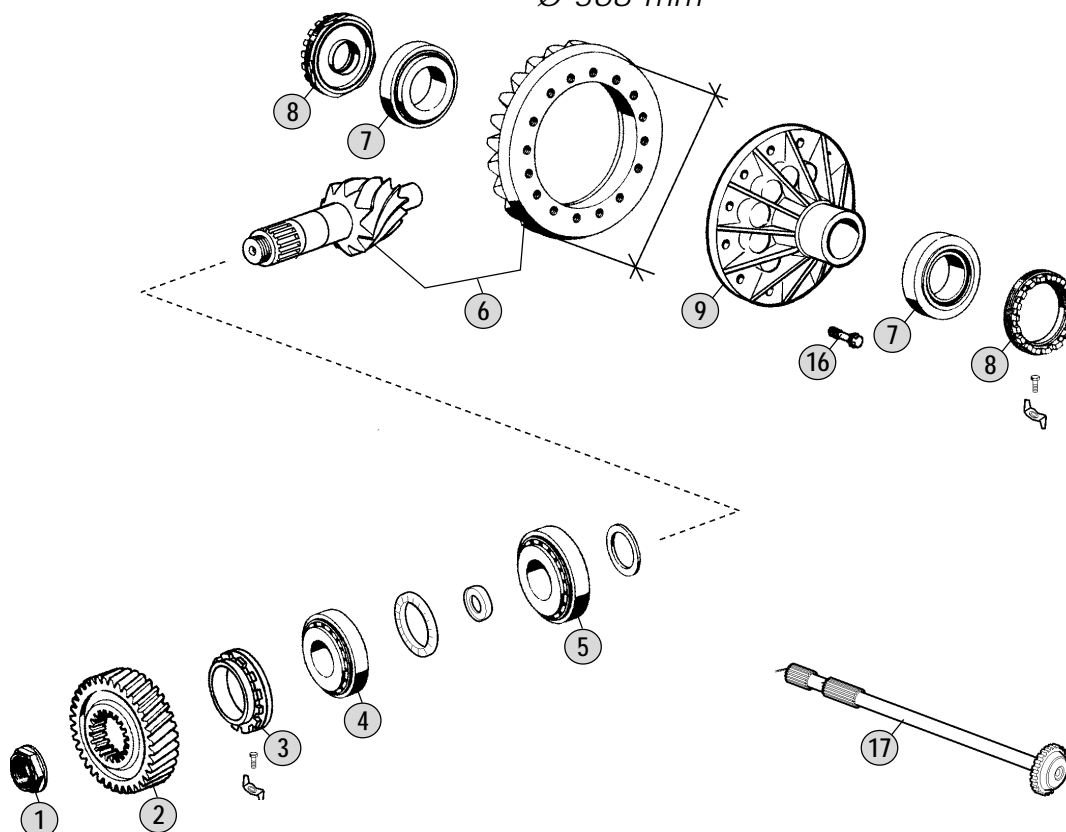
(CH 387.xxx - 389.xxx - 391.xxx
 393.xxx - 395.xxx)

MK-SK

(CH 617.xxx - 619.xxx - 651.xxx
 652.xxx - 653.xxx - 659.xxx)



Crown Outer Diam.
 \varnothing 368 mm



Models

HD4/21 G - HD4/21 DG-10

744.803-807-809-830-832-834-842-845-854-856-858-860-862-863-868-870-876

Fig.	CEI no.	Rif. MB	Description	Q.ty	Note	HD21G/DG-10				
1	187.253	385 351 0172	Nut M40x1,5	1		●				
2	146.726	385 353 0385	Gear 30 T	1		●				
3	287.053	385 353 0025	Grooved Nut	1		●				
4	130.874	002 981 1105	Bearing 60x135x35	1		●				
5	130.896	012 981 8505	Bearing	1		●				
6	294.090	385 350 1239	Crown & Pinion 7x48 R.=1:6,86	1	56 Km/h	●				
6	294.091	385 350 1139	Crown & Pinion 7x43 R.=1:6,14	1	62 Km/h	●				
6	294.092	385 350 1339	Crown & Pinion 7x40 R.=1:5,71	1	67 Km/h	●				
6	294.093	385 350 2839	Crown & Pinion 8x39 R.=1:4,87	1	79 Km/h	●				
6	294.094	385 350 1039	Crown & Pinion 10x43 R.=1:4,30	1	89 km/h	●				
6	294.095	619 350 0039	Crown & Pinion 12x46 R.=1:3,83	1	100 Km/h	●				
7	130.878	002 981 9705	Bearing	2		●				
8	287.054	360 353 0025	Grooved Nut	2		●				
9	199.288	385 350 0427	Differential Housing Empty	1	Old Type - Empty	●				
9	199.289	385 350 4923	Differential Housing Assy	1	Old Type - Assy	●				
9	199.290	675 350 1323	Differential Housing Assy	1	New Type - Assy	●				
10	133.014	383 353 0120	Differential Spider	1		●				
11	182.005	302 353 0014	Side Pinion 10 T	4	(A)	●				
11	182.096	675 353 0014	Side Pinion 9 T	4	(B)	●				
12	169.135	352 353 0024	Thrust Washer	4		●				
13	122.132	302 353 0015	Side Gear 18 T-24 Spines	2	(A)	●				
13	122.239	675 353 0115	Side Gear	2	(B)	●				
14	169.138	674 353 0362	Thrust Washer	2	(A)	●				
14	269.386	676 353 0162	Thrust Washer	2	(B)	●				
15	198.130	358 586 0035	Differential Gear Kit	1	(A)	●				
15	298.222	675 350 0140	Differential Gear Kit	1	(B)	●				
16	287.078	352 990 3601	Screw	1	Old Type	●				
16	287.079	385 990 2301	Screw	16	New Type	●				
17	170.310	385 357 0101	Drive Shaft	1	Lf/Sx	●				
17	170.311	385 357 4801	Drive Shaft	1	Lf/Sx	●				
17	170.308	385 357 0301	Drive Shaft	1	Rh/Dx	●				
17	170.309	385 357 5001	Drive Shaft	1	Rh/Dx	●				

Intermediate Axle
with CWP Ø 368

All original equipment manufacturers' numbers, symbols, pictures, models and description used in this catalogue are for reference only, and it is not implied that any part listed is the product of these manufacturers.
Tutti i nostri particolari non sono originali ma con essi intercambiabili. I riferimenti originali, le figure, i modelli sono esposti a semplice titolo indicativo. La nostra produzione riporta il nostro marchio.

Notes

(A) Up to 273088
(B) From 273089

Date

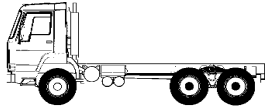
04/ 2011

Table

0470

Adattabile a : **MERCEDES**

HD4/02 GD-10



HD4 + HL4

Axles with
Ø 410 mm CWP

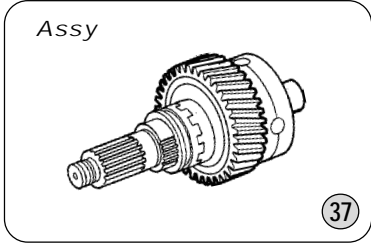
Models

LP-NG

(CH 387.xxx - 389.xxx - 391.xxx
393.xxx - 395.xxx)

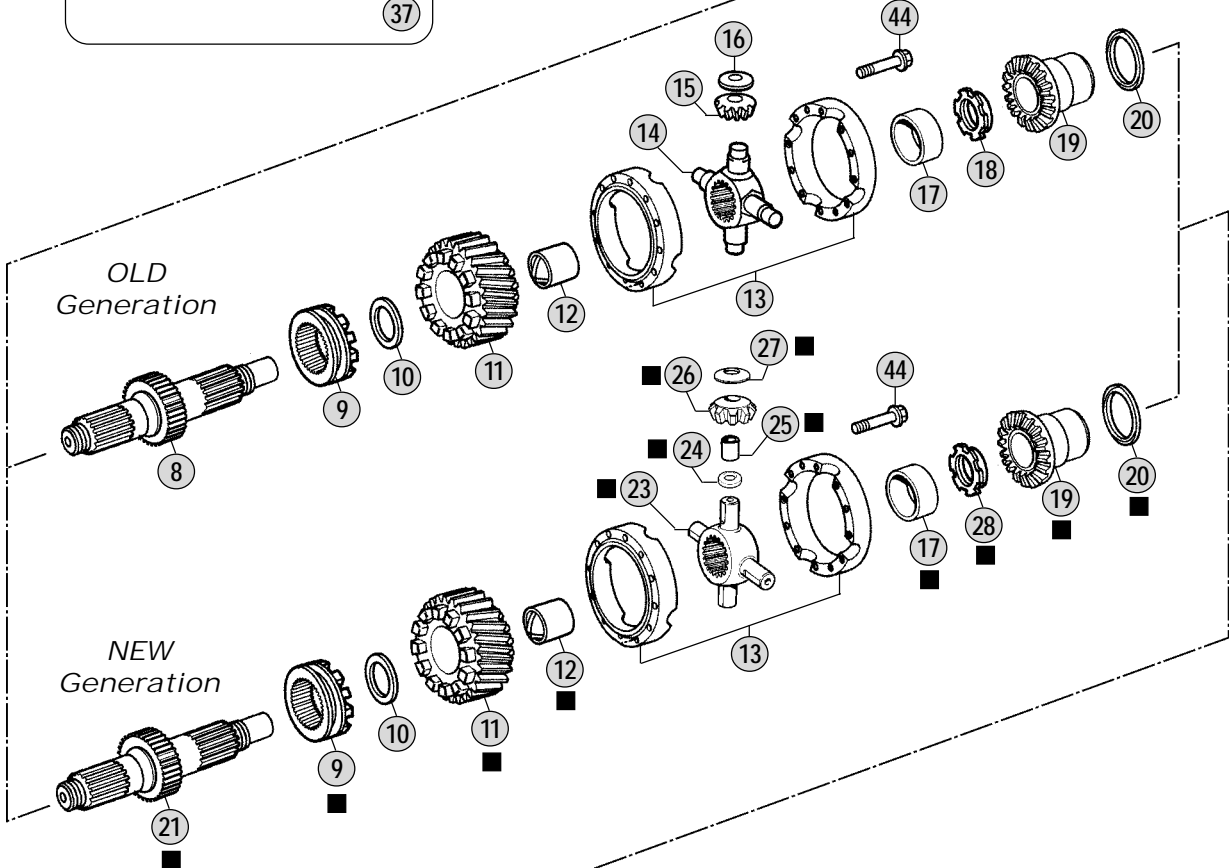
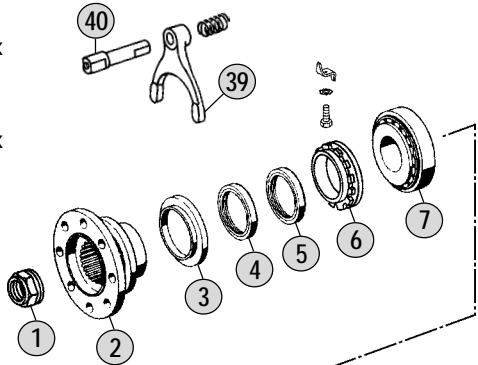
MK-SK

(CH 617.xxx - 619.xxx - 651.xxx
652.xxx - 653.xxx - 659.xxx)



Assy

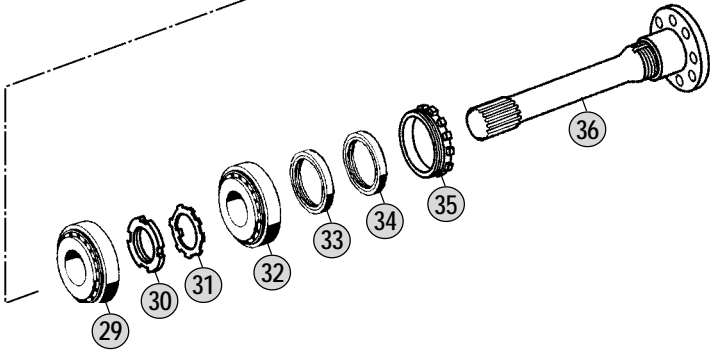
37



OLD
Generation

NEW
Generation

Kits
■ MB 38



All original equipment manufacturers' numbers, symbols, pictures, models and description used in this catalogue are for reference only, and it is not implied that any part listed is the product of these manufactures. Tutti i nostri particolari non sono originali ma con essi intercambiabili. I riferimenti originali, le figure, i modelli sono esposti a semplice titolo indicativo. La nostra produzione riporta il nostro marchio.

Models

HD4/02 GD-10

745.700-702-730-732-736-738-739-741



Fig.	CEI no.	Rif. MB	Description	Q.ty	Note	HD402	GD-10			
1	187.250	385 351 0672	Nut M45x1,5	1		●				
2	155.265	355 350 0645	Output Flange D.165 mm	1		●				
2	155.267	355 350 0745	Output Flange D.180 mm	1		●				
2	155.275	385 350 0145	Output Flange D.150 mm	1		●				
3	139.890	355 353 0391	Oil Collector	1		●				
4	139.563	023 997 8547	Oil Seal 80x100x12	1		●				
5	139.564	020 997 9947	Oil Seal 80x110x10	1		●				
6	187.615	355 353 0325	Grooved Nut	1		●				
7	130.595	000625 920067	Bearing 60x130x31	1		●				
8	105.086	355 353 0235	Shaft 28/41/28 T	1		●				
9	154.319	355 353 1236	Sliding Sleeve	1		●				
10	169.670	355 353 1862	Thrust Washer T.4,00 mm (Bronze)	1		●				
10	169.669	355 353 1962	Thrust Washer T.3,85 mm (Bronze)	1		●				
10	169.668	355 353 2062	Thrust Washer T.3,65 mm (Bronze)	1		●				
11	244.091	385 353 0085	Gear 30/16 T	1		●				
12	117.277	355 353 0950	Bush 60x64x50	1		●				
13	199.062	355 350 1827	Diff.Housing Empty W/Screw	1		●				
14	133.061	355 350 0128	Differential Spider	1		●				
15	182.047	355 353 0214	Side Pinion 10 T	4		●				
16	169.582	355 353 0176	Thrust Washer	4		●				
17	117.278	355 353 1050	Bush 44x49x35	1		●				
18	187.534	355 353 0026	Grooved Nut M48x1,5	1		●				
19	122.238	385 353 0115	Side Gear 16 T / 22 Spl	1		●				
20	169.671	355 353 2262	Thrust Washer 102x2,35 mm (Bronze)	1		●				
20	169.823	355 353 2462	Thrust Washer 102x2,45 mm (Bronze)	1		●				
20	169.672	355 353 2362	Thrust Washer 102x2,60 mm (Bronze)	1		●				
20	169.824	355 353 2662	Thrust Washer 102x2,80 mm (Bronze)	1		●				
21	105.160	355 353 0935	Shaft 28/41/28 T	1		●				
23	133.128	653 353 0020	Differential Spider	1		●				
24	169.822	653 353 0051	Spacer	4		●				
25	117.352	653 353 0050	Bush	4		●				
26	182.075	653 353 0014	Side Pinion 10 T	4		●				
27	169.582	355 353 0176	Thrust Washer	4		●				
28	187.616	355 353 0126	Grooved Nut M48x1,5	1		●				
29	130.890	007 981 0201	Bearing	1		●				
30	187.617	070852 055000	Grooved Nut M55x1,5	1		●				
31	169.825	070952 055102	Thrust Washer	1		●				
32	130.597	002 981 8125	Bearing 55x100x21	1		●				
33	139.577	017 997 2747	Oil Seal 68x90x10	1		●				
34	139.578	017 997 2647	Oil Seal 68x90x10	1		●				
35	287.050	385 353 1025	Grooved Nut	1		●				
36	170.300	385 353 0435	Drive Shaft With Flange	1		●				
36	170.301	385 353 0535	Drive Shaft With Flange	1		●				
37	298.215	387 350 9723	Differential Shaft Kit	1		●				
38	298.223	658 350 0123	Differential Gear kit	1		●				

Intermediate Axle
with CWP Ø 410

All original equipment manufacturers numbers, symbols, pictures, models and description used in this catalogue are for reference only, and it is not implied that any part listed is the product of these manufactures.
Tutti i nostri particolari non sono originali ma con essi intercambiabili. I riferimenti originali, le figure, i modelli sono esposti a semplice titolo indicativo. La nostra produzione riporta il nostro marchio.

Notes

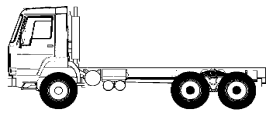
Date

04 / 2011

Table

Adattabile a : **MERCEDES**
 Suitable To :

HD4/02 GD-10



HD4 + HL4

Axles with
 Ø 410 mm CWP

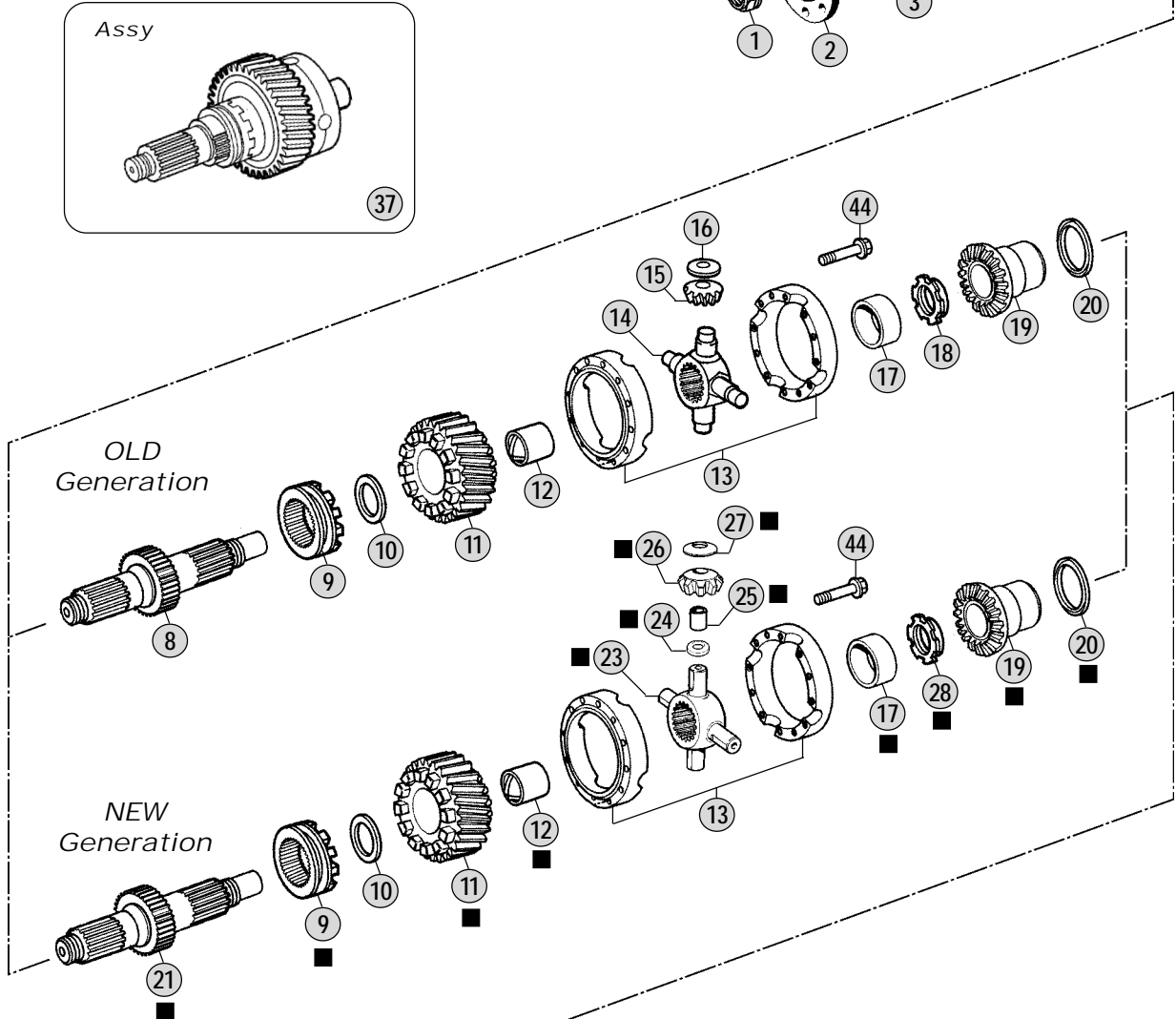
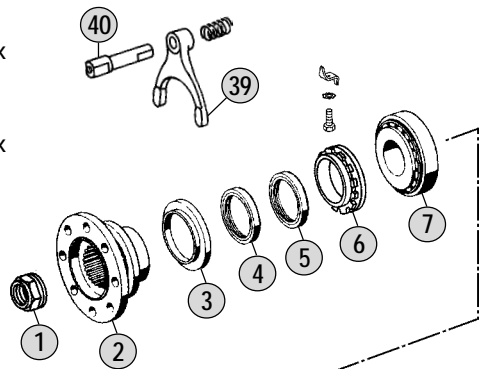
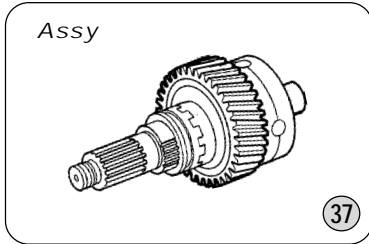
Models

LP-NG

(CH 387.xxx - 389.xxx - 391.xxx
 393.xxx - 395.xxx)

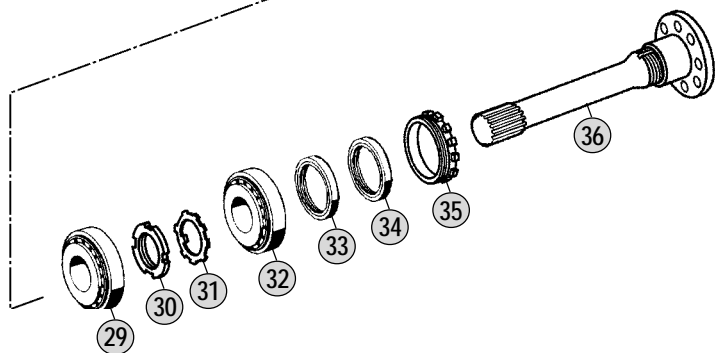
MK-SK

(CH 617.xxx - 619.xxx - 651.xxx
 652.xxx - 653.xxx - 659.xxx)



Kits

■ MB 38



Models

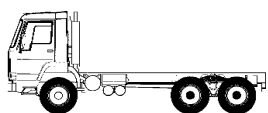
HD4/02 GD-10

745.700-702-730-732-736-738-739-741

All original equipment manufacturers' numbers, symbols, pictures, models and description used in this catalogue are for reference only, and it is not implied that any part listed is the product of these manufactures. Tutti i nostri particolari non sono originali ma con essi intercambiabili. I riferimenti originali, le figure, i modelli sono esposti a semplice titolo indicativo. La nostra produzione riporta il nostro marchio.

Adattabile a : **MERCEDES**

HD4/02 GD-10

**HD4 + HD4**Axles with
Ø 410 mm CWP**Models**

LP-NG

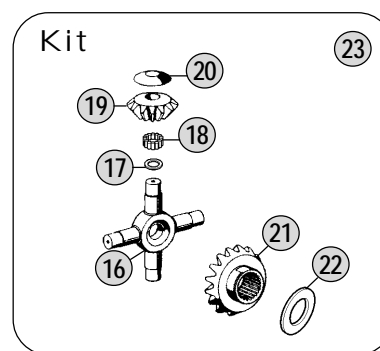
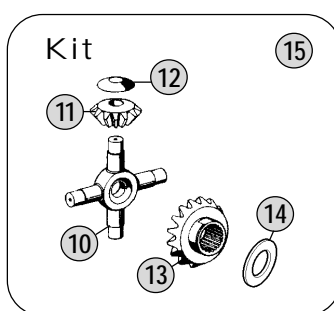
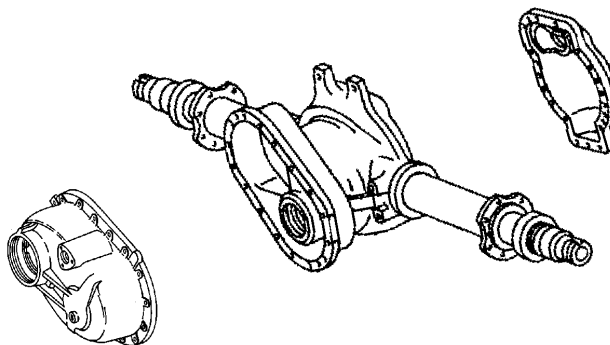
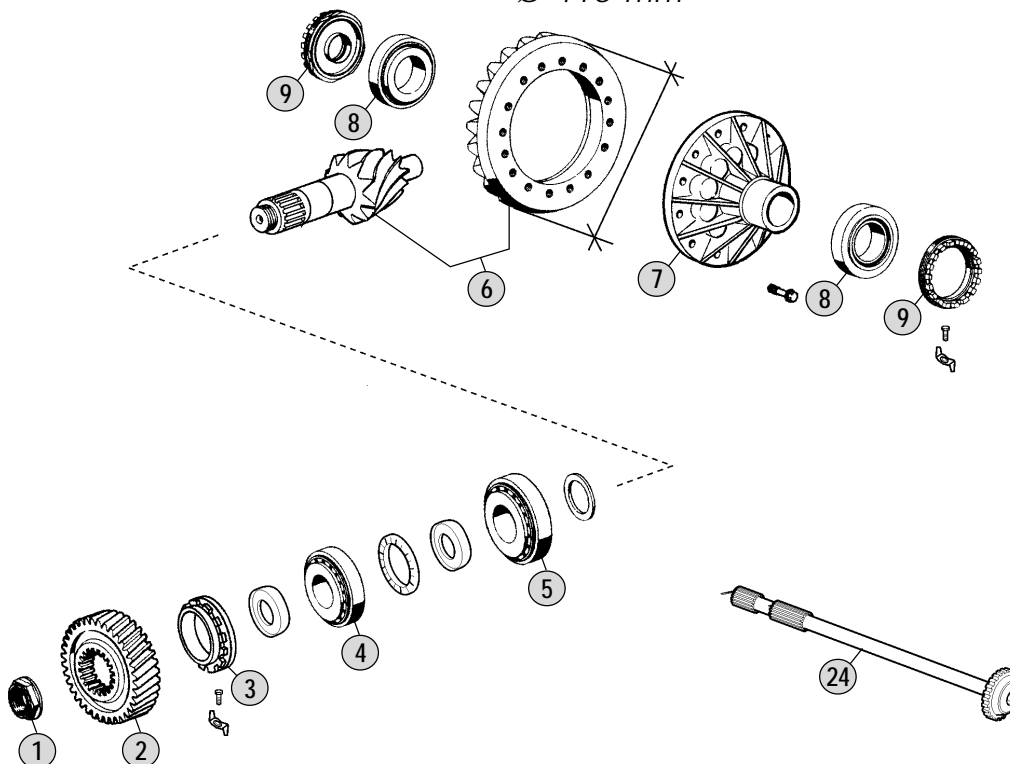
(CH 387.xxx - 389.xxx - 391.xxx

393.xxx - 395.xxx)

MK-SK

(CH 617.xxx - 619.xxx - 651.xxx

652.xxx - 653.xxx - 659.xxx)

Crown Outer Diam.
Ø 410 mm**Models**

HD4/02 GD-10

745.700-702-730-732-736-738-739-740

Fig.	CEI no.	Rif. MB	Description	Q.ty	Note	HD402 GD-10				
1	187.253	385 351 0172	Nut M40x1,5	1		●				
2	146.726	385 353 0385	Gear 30 T	1		●				
3	287.056	615 353 0225	Grooved Nut	1		●				
4	130.888	006 981 1705	Roller Bearing 65x165x36,1	1		●				
5	130.889	006 981 3505	Roller Bearing 65x165x40	1		●				
6	294.096	385 350 4439	Crown & Pinion 7x41 R.=1:5,85	1	(A) 63 Km/h	●				
6	294.097	385 350 4239	Crown & Pinion 9x47 R.=1:5,22	1	(A) 70 Km/h	●				
6	294.098	385 350 3939	Crown & Pinion 10x43 R.=1:4,30	1	(A) 85 Km/h	●				
6	294.099	385 350 4039	Crown & Pinion 12x47 R.=1:3,91	1	(A) 94 Km/h	●				
6	294.100	385 350 4639	Crown & Pinion 12x44 R.=1:3,67	1	(B) 100 Km/h	●				
7	199.063	385 350 1427	Differential Housing Empty	1	(A)(C) Empty	●				
7	199.065	387 350 2123	Differential Housing Assy	1	(A)(C) Assy	●				
7	199.064	615 350 3023	Differential Housing Assy	1	(A)(D) Assy	●				
7	199.253	615 350 3123	Differential Housing Assy	1	(B)(D) Assy	●				
8	130.883	006 981 0005	Roller Bearing 90x140x32	2		●				
9	287.057	615 353 0325	Grooved Nut	2		●				
10	133.066	617 353 0120	Differential Spider	1	(C)	●				
11	182.053	617 353 0114	Side Pinion 11 T	4	(C)	●				
12	169.639	385 353 1262	Thrust Washer 29x1,00	4	(C)	●				
13	122.069	617 353 0115	Side Gear 20 T-38 Splines	2	(C)	●				
14	169.640	385 353 2262	Thrust Washer T.1,45mm	2	(C)	●				
14	169.692	385 353 4062	Thrust Washer T.1,50mm	2	(C)	●				
15	198.712	385 350 0040	Differential Gear Kit	1	(C)	●				
16	133.098	615 353 0120	Differential Spider	1	(D)	●				
17	115.015	615 353 0051	Spacer Ring	4	(D)	●				
18	171.036	615 981 0186	Needle D.2,50x28,65	160	(D)	●				
19	182.057	615 353 0214	Side Pinion 11 T	4	(D)	●				
20	169.693	615 353 0262	Thrust Washer T.30x67x2	4	(D)	●				
21	122.069	617 353 0115	Side Gear 20 T-38 Splines	1	(D)	●				
22	169.640	385 353 2262	Thrust Washer T.1,45mm	2	(D)	●				
22	169.692	385 353 4062	Thrust Washer T.1,50mm	2	(D)	●				
23	198.713	615 350 0040	Differential Gear Kit	1	(D)	●				
24	170.290	385 357 6001	Drive Shaft With Lock	2		●				
24	170.291	652 357 0301	Drive Shaft W/Out Lock	2		●				

Intermediate Axle
with CWP Ø 410

Notes

(A - B) Respect the coupling as the assembling wheelbase between the CWP and the differential housing changes.

(C) Old Type without needle bearing

(D) New Type with needle bearing

Date

04 / 2011

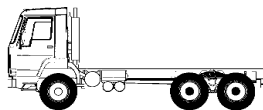
Table

0490

Adattabile a : **MERCEDES** HD7/55 DGS-13 - HD7/56 DGS-13
 Suitable To :

Models

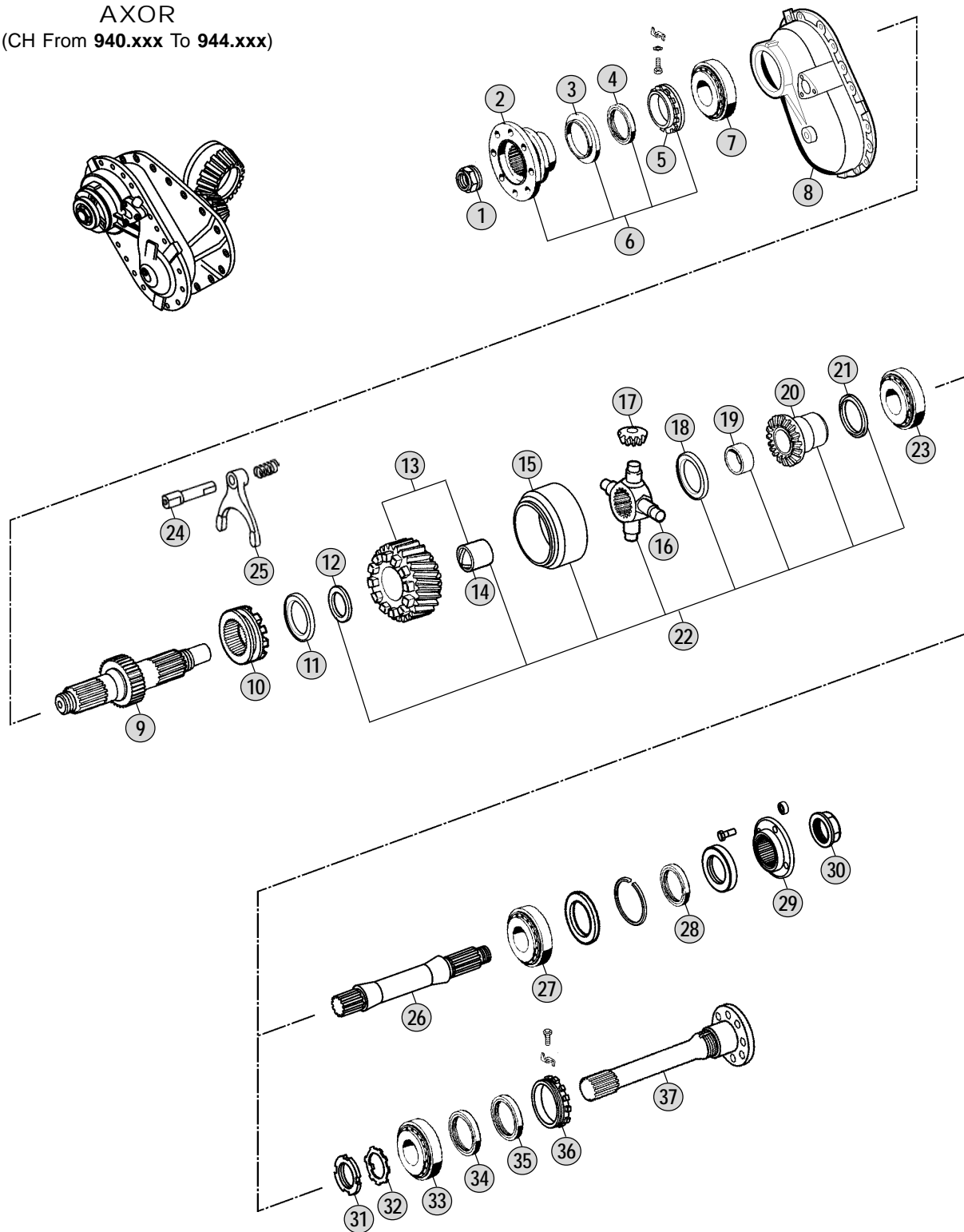
- MAXI-ATEGO
(CH From **930.500** To **950.600**)
- ACTROS MP1
(CH From **950.xxx** To **954.xxx**)
- ACTROS MP2
(CH From **930.xxx** To **934.xxx**)
- AXOR
(CH From **940.xxx** To **944.xxx**)



HD7 + HL7

Axles with

Ø 233 mm CWP



All original equipment manufacturers' numbers, symbols, models and description used in this catalogue are for reference only, and it is not implied that any part listed is the product of these manufactures. Tutti i nostri particolari non sono originali ma con essi intercambiabili. I riferimenti originali, le figure, i modelli sono esposti a semplice titolo indicativo. La nostra produzione riporta il nostro marchio.

Models

HD7/55 DGS-13 - HD7/56 DGS-13

748.261-271



Fig.	CEI no.	Rif. MB	Description	Q.ty	Note	HDT/55/56 DGS-13				
1	187.536	946 351 0072	Nut M55x1,5	1		●				
2	155.298	942 353 0745	Output Flange	1	Up to Axle 935174	●				
2	155.299	942 353 1045	Output Flange	1	From Axle 935175	●				
2	155.300	942 353 1145	Output Flange	1	From Axle 935175	●				
3	139.891	942 353 0159	Oil Seal 85x120x21	1	Up to Axle 935174	●				
3	139.882	014 997 1246	Oil seal	1	From Axle 935175	●				
4	188.247	942 351 0188	Tab Washer	1		●				
5	287.058	942 353 0425	Grooved Nut	1	Up to Axle 935174	●				
5	287.059	942 353 0925	Grooved Nut	1	From Axle 935175	●				
6	298.225	942 350 0945	Flange Kit	1	Up to Axle 935174	●				
6	298.121	942 350 1445	Flange Kit	1	From Axle 935175	●				
6	298.217	942 353 1545	Flange Kit	1	From Axle 935175	●				
7	130.903	942 981 0405	Bearing	1		●				
8	128.241	944 351 0008	Cover	1		●				
9	105.217	942 353 0435	Shaft 31/54/34 T	1		●				
10	154.406	942 353 0236	Diff. Locking Sleeve	1		●				
11	269.127	942 353 0062	Thrust Washer	1		●				
12	269.129	CEI 269129	Thrust Washer	1		●				
13	145.951	944 353 0285	Gear 31/14 T (With Bush)	1	With 146.647 (Teeth 31:31)	●				
13	145.952	944 353 0185	Gear 32/14 T (With Bush)	1	With 146.648 (Teeth 32:29)	●				
14	117.395	000 353 1450	Bush D.75	1		●				
15	175.347	CEI 175347	Differential Housing	1		●				
16	133.171	CEI 133171	Differential Spider	1		●				
17	182.114	CEI 182114	Side Pinion 9 T	4		●				
18	269.128	CEI 269128	Thrust Washer	1		●				
19	117.394	CEI 117394	Bush	1		●				
20	122.166	356 173 0043	Side Gear 14 T-22 Splines	1		●				
21	117.396	CEI 117396	Ring	1		●				
22	298.067	944 350 0723	Differential Gear Kit	1		●				
23	130.904	944 350 0049	Bearing	1		●				
24	107.242	948 353 0035	Pin	1		●				
25	141.231	942 353 0134	Fork	1		●				
26	101.172	944 353 0335	Drive shaft	1		●				
27	130.905	944 981 0025	Bearing	1		●				
28	139.891	942 353 0159	Oil Seal 85x120x21	1		●				
29	155.301	944 353 0245	Output Flange	1		●				
30	187.536	946 351 0072	Nut M55x1,5	1		●				
31	187.622	674 356 0226	Grooved Nut M60x1,5	1		●				
32	169.829	070952 060102	Thrust Washer	1		●				
33	130.905	944 981 0025	Bearing	1		●				
34	139.587	017 997 3147	Oil Seal Th.2,85(75x95x10) mm	1		●				
35	139.588	017 997 3047	Oil Seal 75x95x10	1		●				
36	287.074	942 353 0225	Grooved Nut	1		●				
37	170.274	944 330 0081	Drive Shaft	1		●				
37	170.275	944 353 0235	Drive Shaft L=325mm	1		●				

Intermediate Axle
with CWP Ø 233All original equipment manufacturers numbers, symbols, pictures, models and description used in this catalogue are for reference only, and it is not implied that any part listed is the product of these manufactures.
Tutti i nostri particolari non sono originali ma con essi intercambiabili. I riferimenti originali, le figure, i modelli sono esposti a semplice titolo indicativo. La nostra produzione riporta il nostro marchio.

Notes

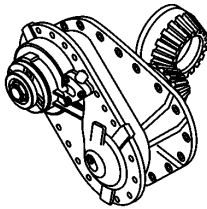
Date

04 / 2011

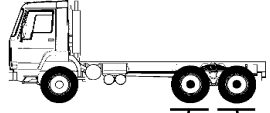
Table

0500

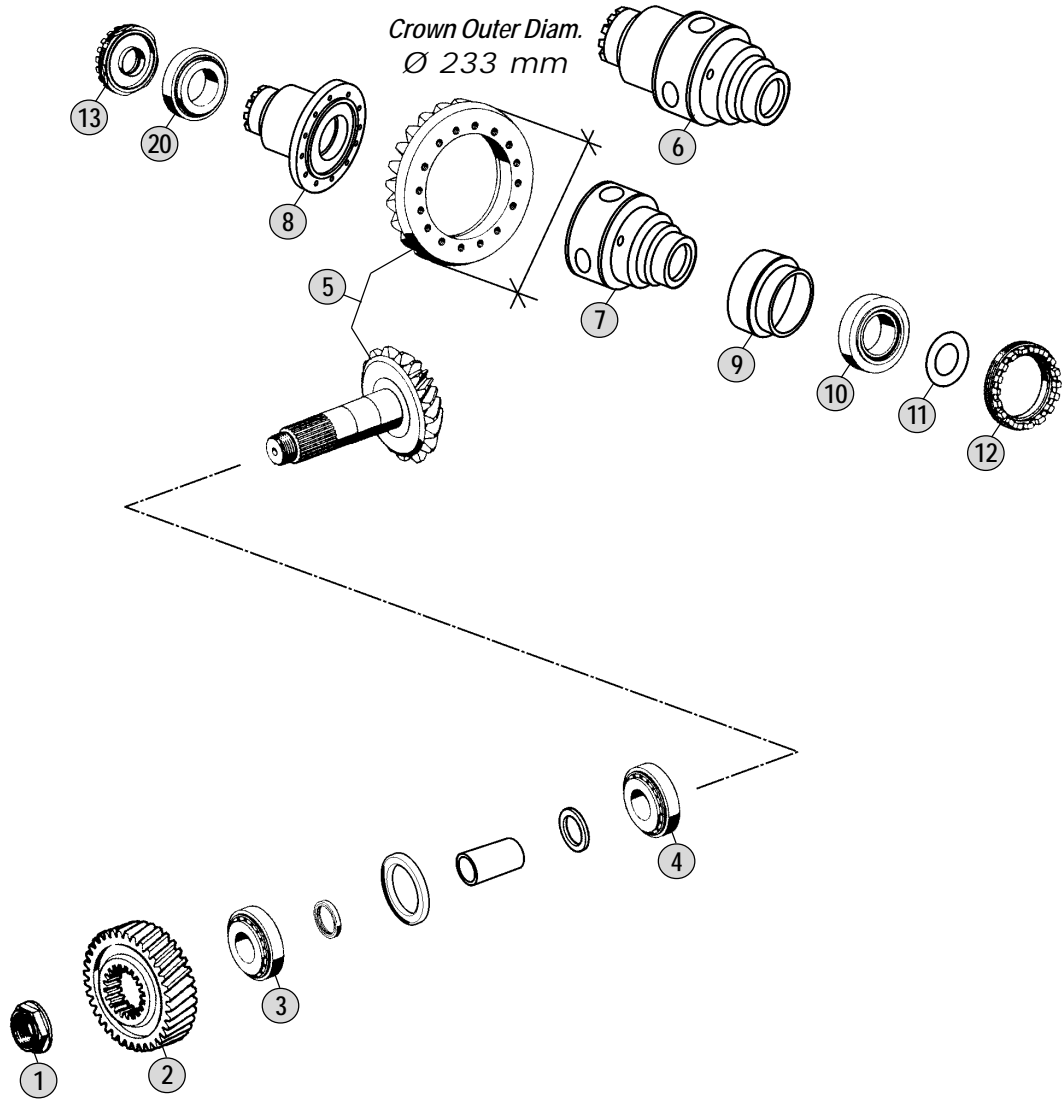
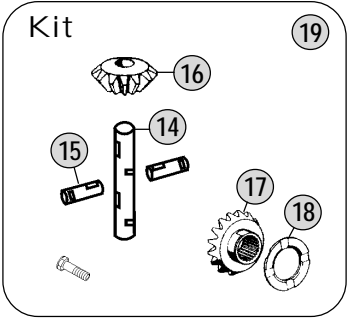
Adattabile a: **MERCEDES** HD7/55 DGS-13 - HD7/56 DGS-13
 Suitable To:



- Models**
 MAXI-ATEGO
 (CH From 930.500 To 950.600)
 ACTROS MP1
 (CH From 950.xxx To 954.xxx)
 ACTROS MP2
 (CH From 930.xxx To 934.xxx)
 AXOR
 (CH From 940.xxx To 944.xxx)



HD7 + HL7
 Axles with
 Ø 233 mm CWP



All original equipment manufacturers' numbers, symbols and description used in this catalogue are for reference only, and it is not implied that any part listed is the product of these manufactures. Tutti i nostri particolari non sono originali ma con essi intercambiabili. I riferimenti originali, le figure, i modelli sono esposti a semplice titolo indicativo. La nostra produzione riporta il nostro marchio.

Models

HD7/55 DGS-13 - HD7/56 DGS-13

748.261-271



Fig.	CEI no.	Rif. MB	Description	Q.ty	Note	HDT/55/56 DGS-13				
1	187.250	385 351 0672	Nut M45x1,5	1		●				
2	146.647	944 353 0385	Gear 31 T	1	With 145.951 (Teeth 31:31)	●				
2	146.648	944 353 0085	Gear 29 T	1	With 145.952 (Teeth 32:29)	●				
3	130.901	944 350 0149	Bearing	1		●				
4	130.902	942 981 0505	Bearing	1		●				
5	294.061	944 350 2639	Crown & Pinion 17x29 R.=1:1,7	1	71 Km/h	●				
5	294.062	944 350 2739	Crown & Pinion 18x27 R.=1:1,5	1	81 Km/h	●				
5	194.904	944 350 2539	Crown & Pinion 21x28 R.=1:1,33	1	91 Km/h	●				
5	294.060	944 350 2439	Crown & Pinion 24x29 R.=1:1,2	1	100 Km/h	●				
6	298.065	944 350 0623	Differential Housing	1	Assy	●				
7	175.353	CEI 175353	Differential Half Housing	1		●				
8	175.352	CEI 175352	Differential Half Housing	1		●				
9	128.227	CEI 128227	Cover	1		●				
10	130.916	006 981 7605	Bearing	1		●				
11	269.387	942 353 0228	Thrust Washer	1		●				
12	287.060	944 353 0225	Grooved Nut	1		●				
13	287.061	944 353 0025	Grooved Nut	1		●				
14	133.173	CEI 133173	Spider Body	1		●				
15	107.218	CEI 107218	Planet Shaft	2		●				
16	182.118	CEI 182118	Side Pinion 10 T	4		●				
17	122.165	CEI 122165	Side Gear 14 T-34 Splines	2		●				
18	169.807	308 353 0062	Thrust Washer (Steel)	2		●				
19	298.208	CEI 298208	Differential Kit	1		●				
20	130.899	017 981 8205	Bearing	1		●				

Intermediate Axle
with CWP Ø 233

All original equipment manufacturers' numbers, symbols, pictures, models and description used in this catalogue are for reference only, and it is not implied that any part listed is the product of these manufacturers.
Tutti i nostri particolari non sono originali ma con essi intercambiabili. I riferimenti originali, le figure, i modelli sono esposti a semplice titolo indicativo. La nostra produzione riporta il nostro marchio.

Notes

(A - B) To be coupled together

Date

04 / 2011

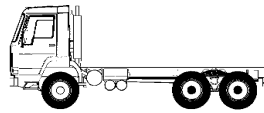
Table

0510

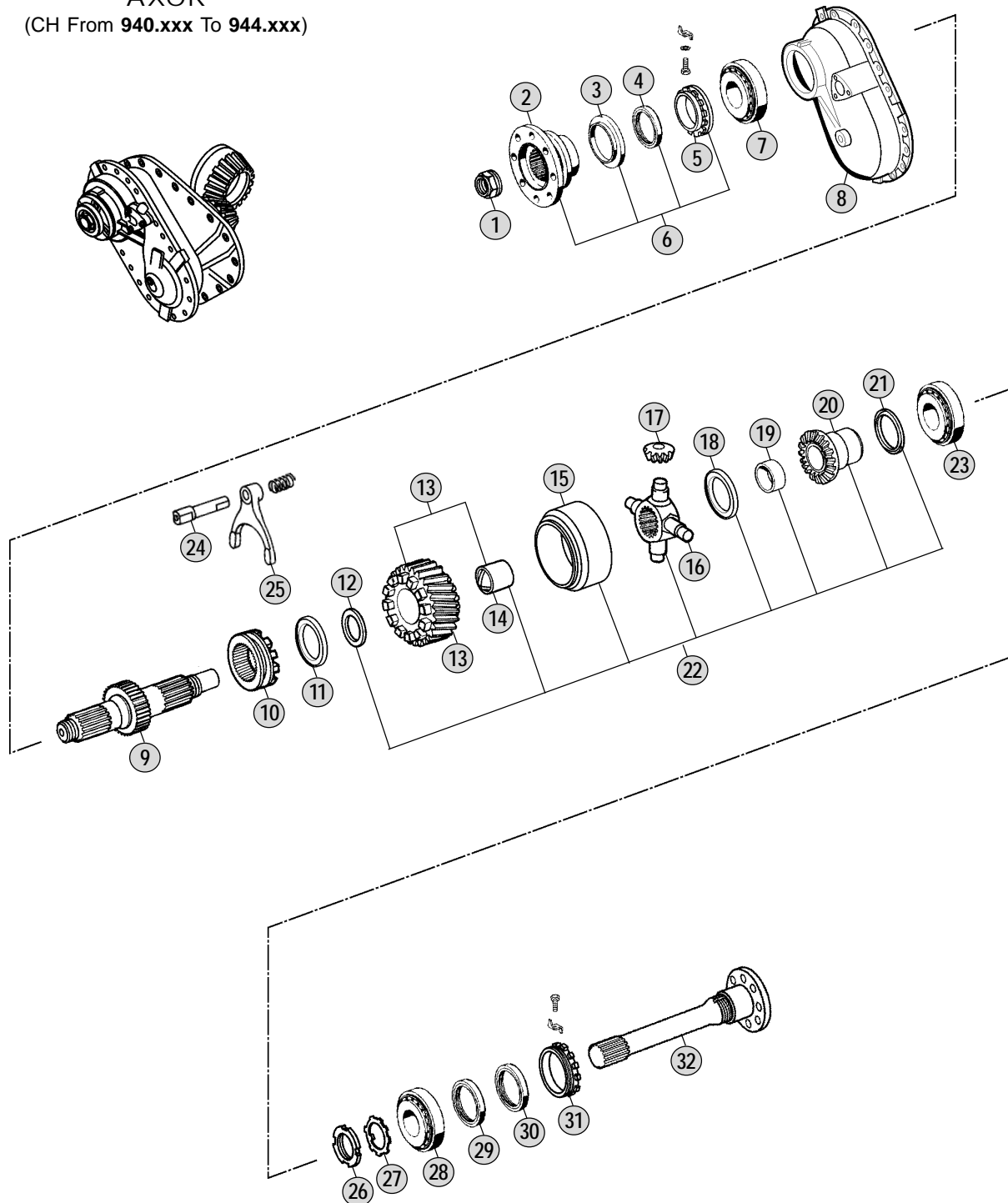
Adattabile a : **MERCEDES** HD7/55 - HD7/56 - HD7/57 - HD7/58
 Suitable To :

Models

MAXI-ATEGO
 (CH From 930.500 To 950.600)
 ACTROS MP1
 (CH From 950.xxx To 954.xxx)
 ACTROS MP2
 (CH From 930.xxx To 934.xxx)
 AXOR
 (CH From 940.xxx To 944.xxx)

**HD7 + HL7**

Axles with
 Ø 300 mm CWP



All original equipment manufacturers' numbers, symbols and description used in this catalogue are for reference only, and it is not implied that any part listed is the product of these manufactures.
 Tutti i nostri particolari non sono originali ma con essi intercambiabili. I riferimenti originali, le figure, i modelli sono esposti a semplice titolo indicativo. La nostra produzione riporta il nostro marchio.

Models

HD7/55 - HD7/56 - HD7/57 - HD7/58

740.893-895-897-898 748.263-273-275

Fig.	CEI no.	Rif. MB	Description	Q.ty	Note	HDT/55-56-57-58				
1	187.536	946 351 0072	Nut M55x1,5	1		●				
2	155.298	942 353 0745	Output Flange	1	Up to Axle 935174	●				
2	155.299	942 353 1045	Output Flange	1	From Axle 935175	●				
2	155.304	942 353 1245	Output Flange	1	From Axle 935175	●				
3	139.891	942 353 0159	Oil Seal 85x120x21	1	Up to Axle 935174	●				
3	139.882	014 997 1246	Oil seal	1	From Axle 935175	●				
4	188.247	942 351 0188	Tab Washer	1	From Axle 935175	●				
5	287.058	942 353 0425	Grooved Nut	1	Up to Axle 935174	●				
5	287.059	942 353 0925	Grooved Nut	1	From Axle 935175	●				
6	298.225	942 350 0945	Flange Kit	1	Up to Axle 935174	●				
6	298.120	942 350 1545	Flange Kit	1	From Axle 935175	●				
6	298.226	942 350 1645	Flange Kit	1	From Axle 935175	●				
7	130.903	942 981 0405	Bearing	1		●				
8	199.300	942 351 0008	Differential Housing	1		●				
8	199.319	942 351 0108	Differential Housing	1		●				
9	105.217	942 353 0435	Shaft 31/54/34 T	1		●				
10	154.406	942 353 0236	Diff. Locking Sleeve	1		●				
11	269.127	942 353 0062	Thrust Washer	1		●				
12	269.129	CEI 269129	Thrust Washer	1		●				
13	145.950	942 353 0285	Gear 37/17 T (With Bush)	1	With 146.646 (Teeth 37:37)	●				
13	145.953	942 353 0185	Gear 39/14 T (With Bush)	1	With 245.020 (Teeth 39:35)	●				
14	117.395	000 353 1450	Bush D.75	1		●				
15	175.347	CEI 175347	Differential Housing	1		●				
16	133.171	CEI 133171	Differential Spider	1		●				
17	182.114	CEI 182114	Side Pinion 9 T	4		●				
18	269.128	CEI 269128	Thrust Washer	1		●				
19	117.394	CEI 117394	Bush	1		●				
20	122.160	356 173 0055	Side Gear 14 T-26 Splines	1		●				
21	117.396	CEI 117396	Ring	1		●				
22	298.070	942 350 2223	Differential gear kit	1		●				
23	130.791	942 981 0205	Bearing	1		●				
24	107.242	948 353 0035	Pin	1		●				
25	141.231	942 353 0134	Fork	1		●				
26	187.622	674 356 0226	Grooved Nut M60x1,5	1		●				
27	169.829	070952 060102	Thrust Washer	1		●				
28	130.323	005 981 5925	Bearing 60x110x22	1		●				
29	139.587	017 997 3147	Oil Seal Th.2,85(75x95x10) mm	1		●				
30	139.588	017 997 3047	Oil Seal 75x95x10	1		●				
31	287.074	942 353 0225	Grooved Nut	1		●				
31	287.086	942 353 1025	Grooved nut	1		●				
32	170.273	942 353 0235	Drive Shaft L=375mm	1		●				

Intermediate Axle
with CWP Ø 300

Notes

Date

04 / 2011

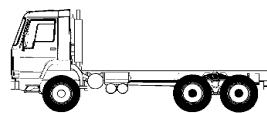
Table

0520

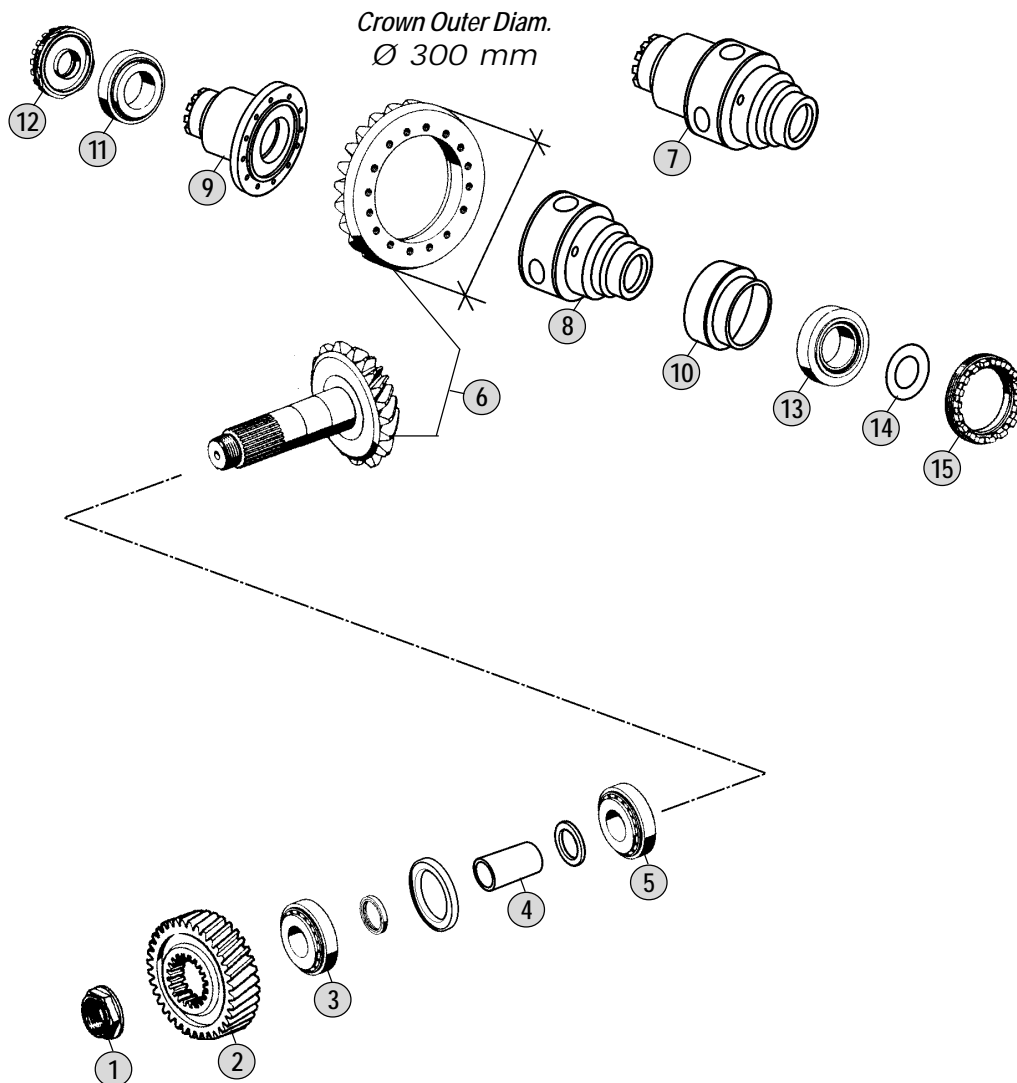
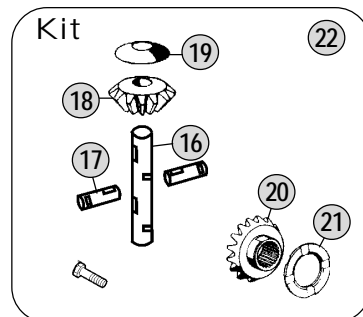
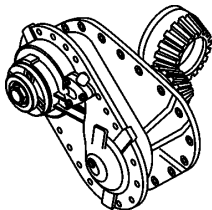
Adattabile a : **MERCEDES** HD7/55 - HD7/56 - HD7/57 - HD7/58
 Suitable To :

Models

- MAXI-ATEGO**
(CH From **930.500** To **950.600**)
- ACTROS MP1**
(CH From **950.xxx** To **954.xxx**)
- ACTROS MP2**
(CH From **930.xxx** To **934.xxx**)
- AXOR**
(CH From **940.xxx** To **944.xxx**)



HD7 + HL7
 Axles with
 Ø 300 mm CWP



All original equipment manufacturers' numbers, symbols and description used in this catalogue are for reference only, and it is not implied that any part listed is the product of these manufactures.
 Tutti i nostri particolari non sono originali ma con essi intercambiabili. I riferimenti originali, le figure, i modelli sono esposti a semplice titolo indicativo. La nostra produzione riporta il nostro marchio.

Models

HD7/55 - HD7/56 - HD7/57 - HD7/58

740.893-895-897-898 748.263-273-275



Fig.	CEI no.	Rif. MB	Description	Q.ty	Note	HDT/55-56-57-58				
1	187.536	946 351 0072	Nut M55x1,5	1		●				
2	146.646	942 353 0315	Gear 37 T	1	With 145.950 (Teeth 37:37)	●				
2	245.020	942 353 0215	Gear 35 T	1	With 145.953 (Teeth 39:35)	●				
3	130.324	002 981 4505	Bearing 65x140x36	1		●				
4	117.449	942 353 0150	Bush	1		●				
5	130.598	003 981 3105	Bearing 70x150x38	1		●				
6	194.983	942 350 2639	Crown & Pinion 17x29 R.=1:1,71	1	71 Km/h	●				
6	194.982	942 350 2839	Crown & Pinion 18x27 R.=1:1,50	1	81 Km/h	●				
6	194.858	942 350 2739	Crown & Pinion 21x28 R.=1:1,33	1	91 Km/h	●				
6	194.855	942 350 2539	Crown & Pinion 24x29 R.=1:1,21	1	100 Km/h	●				
7	298.069	000 350 8023	Differential Housing	1	Assy	●				
8	175.355	CEI 175355	Differentia Half Housing	1		●				
9	175.356	CEI 175356	Differential Half Housing	1		●				
10	128.229	942 353 0428	Cover	1		●				
11	130.870	017 981 7905	Bearing 100x150x32	1		●				
12	287.076	942 353 0125	Grooved Nut	1		●				
12	287.077	942 350 0143	Grooved Nut	1		●				
13	130.916	006 981 7605	Bearing	1		●				
14	269.387	942 353 0228	Thrust Washer	1		●				
15	287.066	970 353 0025	Grooved Nut	1		●				
16	133.175	CEI 133175	Differential Spider	1		●				
17	107.221	CEI 107221	Pin	2		●				
18	182.056	346 353 1014	Side Pinion 11 T	2		●				
19	269.182	CEI 269182	Washer	4		●				
20	122.076	346 353 0815	Side Gear 16 T-40 Splines	2		●				
21	269.133	CEI 269133	Washer	2		●				
22	298.209	CEI 298209	Differential Kit	1		●				

Intermediate Axle
with CWP Ø 300

All original equipment manufacturers' numbers, symbols, pictures, models and description used in this catalogue are for reference only, and it is not implied that any part listed is the product of these manufacturers.
Tutti i nostri particolari non sono originali ma con essi intercambiabili. I riferimenti originali, le figure, i modelli sono esposti a semplice titolo indicativo. La nostra produzione riporta il nostro marchio.

Notes

Date

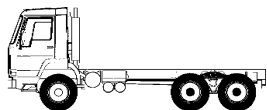
04 / 2011

Table

0530

Adattabile a : **MERCEDES**
 Suitable To :

HL7 - HO7



HD7 + HL7

Axles with
 Ø 233 mm CWP

Models

LP-NG

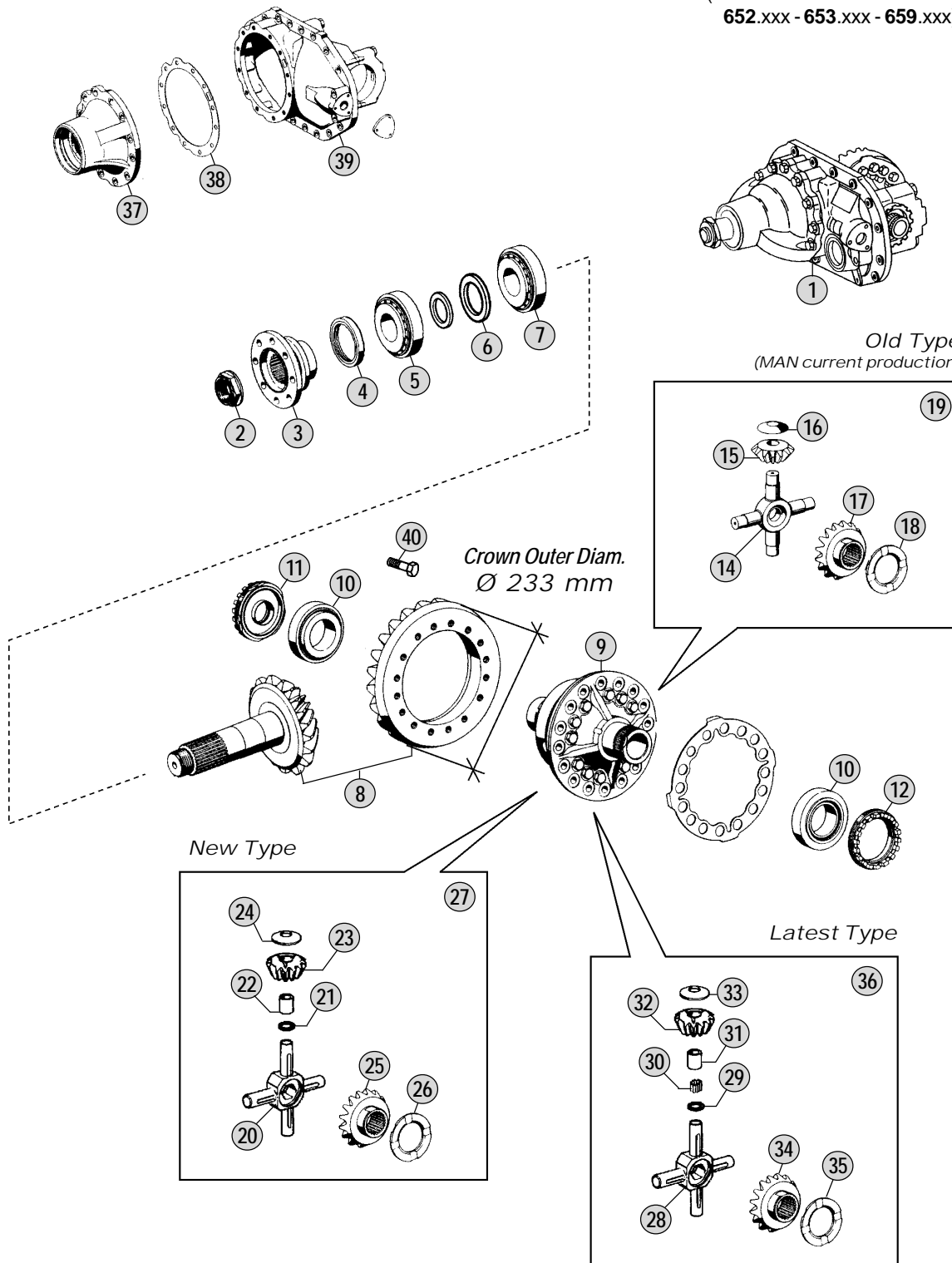
(CH 343.xxx - 346.xxx - 387.xxx - 389.xxx
 391.xxx - 393.xxx - 395.xxx)

LK

(CH From 673.xxx To 677.xxx)

MK-SK

(CH 617.xxx - 619.xxx - 651.xxx
 652.xxx - 653.xxx - 659.xxx)



All original equipment manufacturers' numbers, symbols, pictures, models and description used in this catalogue are for reference only, and it is not implied that any part listed is the product of these manufactures. Tutti i nostri particolari non sono originali ma con essi intercambiabili. I riferimenti originali, le figure, i modelli sono esposti a semplice titolo indicativo. La nostra produzione riporta il nostro marchio.

Models

HL7/1 - HL7/3 - HL7/4 - HL7/10 - HL7/18 - HL7/24 - HL7/26 - HO7/8DL10

From **740.100** To **740.199** From **740.200** To **740.234** From **748.512** To **748.526**

From **740.900** To **740.949**



Fig.	CEI no.	Rif. MB	Description	Q.ty	Note	HL7 - HO7				
1	280.730	387 350 2520	Rear Axle 12x27 R.1:2,25	1	48 Km/h	●				
1	280.731	387 350 2820	Rear Axle 15x29 R.1:1,93	1	56 Km/h	●				
1	280.732	387 350 3020	Rear Axle 17x29 R.1:1,70	1	64 Km/h	●				
1	280.733	387 350 2620	Rear Axle 18x27 R.1:1,70	1	67 Km/h	●				
1	280.734	305 350 9520	Rear Axle 27x37 R.1:1,37	1	79 Km/h	●				
1	280.735	387 350 2720	Rear Axle 21x28 R.1:1,33	1	81 Km/h	●				
1	280.736	381 350 0920	Rear Axle 19x25 R.1:1,32	1	82 Km/h	●				
1	280.737	387 350 3120	Rear Axle 24x29 R.1:1,21	1	90 Km/h	●				
1	280.738	387 350 9920	Rear Axle 25x29 R.1:1,16	1	93 Km/h	●				
1	280.739	389 350 2620	Rear Axle 24x26 R.1:1,08	1	100 Km/h	●				
2	187.250	385 351 0672	Nut M45x1,5	1		●				
3	155.195	305 353 0345	Output Flange D.150	1		●				
3	155.194	355 353 2245	Output Flange D.150 mm	1		●				
3	155.211	355 353 1445	Output Flange D.165 mm	1		●				
3	197.169	355 353 2445	Output Flange D.180 mm	1		●				
3	155.266	355 353 1245	Output Flange D.180 mm	1		●				
4	139.584	020 997 0647	Oil seal 72x105x13	1		●				
5	130.320	005 981 4605	Bearing 54,5x104,7x36,5	1		●				
6	169.828	355 353 0129	Oil deflector	1		●				
7	130.318	003 981 7005	Bearing 65x140x51	1		●				
8	194.646	944 350 2139	Crown & pinion 12x27 R.=1:2,25	1	(A) 48 Km/h	●				
8	194.356	357 350 1339	Crown & pinion 15x29 R.=1:1,93	1	(A) 56 Km/h	●				
8	194.295	355 350 4639	Crown & pinion 17x29 R.=1:1,71	1	(A) 64 Km/h	●				
8	194.292	371 350 0039	Crown & pinion 18x27 R.=1:1,50	1	(A) 67 Km/h	●				
8	194.647	371 350 0139	Crown & pinion 27x37 R.=1:1,37	1	(A) 79 Km/h	●				
8	194.290	944 350 1839	Crown & pinion 21x28 R.=1:1,33	1	(A) 81 Km/h	●				
8	194.649	944 350 1239	Crown & pinion 19x25 R.=1:1,32	1	(A) 82 Km/h	●				
8	194.418	944 350 0439	Crown & pinion 24x29 R.=1:1,21	1	(A) 90 Km/h	●				
8	194.651	357 350 1639	Crown & pinion 25x29 R.=1:1,16	1	(A) 93 Km/h	●				
8	294.101	355 350 5439	Crown & Pinion 24x26 R.=1:1,08	1	(B) 100 Km/h	●				
9	199.054	355 350 0227	Differential Housing Empty	1	(A) Old/New Type	●				
9	199.095	CEI 199095	Differential Housing Empty	1	(A) Latest Type	●				
9	199.321	CEI 199321	Differential Housing Empty	1	(B) Latest Type	●				
9	199.053	387 350 1323	Differential Housing Assy	1	(A) New Type	●				
9	199.096	387 350 5923	Differential Housing Assy	1	(A) Latest Type	●				
9	199.301	387 350 6023	Differential Housing Assy	1	(B) Latest Type	●				
10	130.319	003 981 4105	Bearing 65x110x34	2		●				
11	187.619	944 350 0243	Grooved Nut	1		●				
12	187.620	371 353 0025	Adjusting Ring	1		●				
14	133.127	308 353 0020	Differential Spider	1	Old Type	●				
15	182.051	494 335 0214	Side Pinion 10 T	4	Old Type	●				
16	169.581	494 335 0075	Thrust Washer	4	Old Type	●				
17	122.064	355 353 0315	Side Gear 16 T-34 Splines	2	Old Type	●				
18	169.589	355 353 0562	Thrust Washer (Bronze)	2		●				
18	169.807	308 353 0062	Thrust Washer (Steel)	2		●				

Notes

(A - B) To be coupled together
(C - D) To be coupled together

Date

04 / 2011

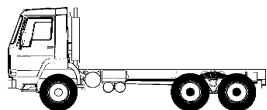
Table

0540

All original equipment manufacturers numbers, symbols, pictures, models and description used in this catalogue are for reference only, and it is not implied that any part listed is the product of these manufactures.
Tutti i nostri particolari non sono originali ma con essi intercambiabili. I riferimenti originali, le figure, i modelli sono esposti a semplice titolo indicativo. La nostra produzione riporta il nostro marchio.

Adattabile a : **MERCEDES**
 Suitable To :

HL7 - HO7



HD7 + HL7

Axles with
 Ø 233 mm CWP

Models

LP-NG

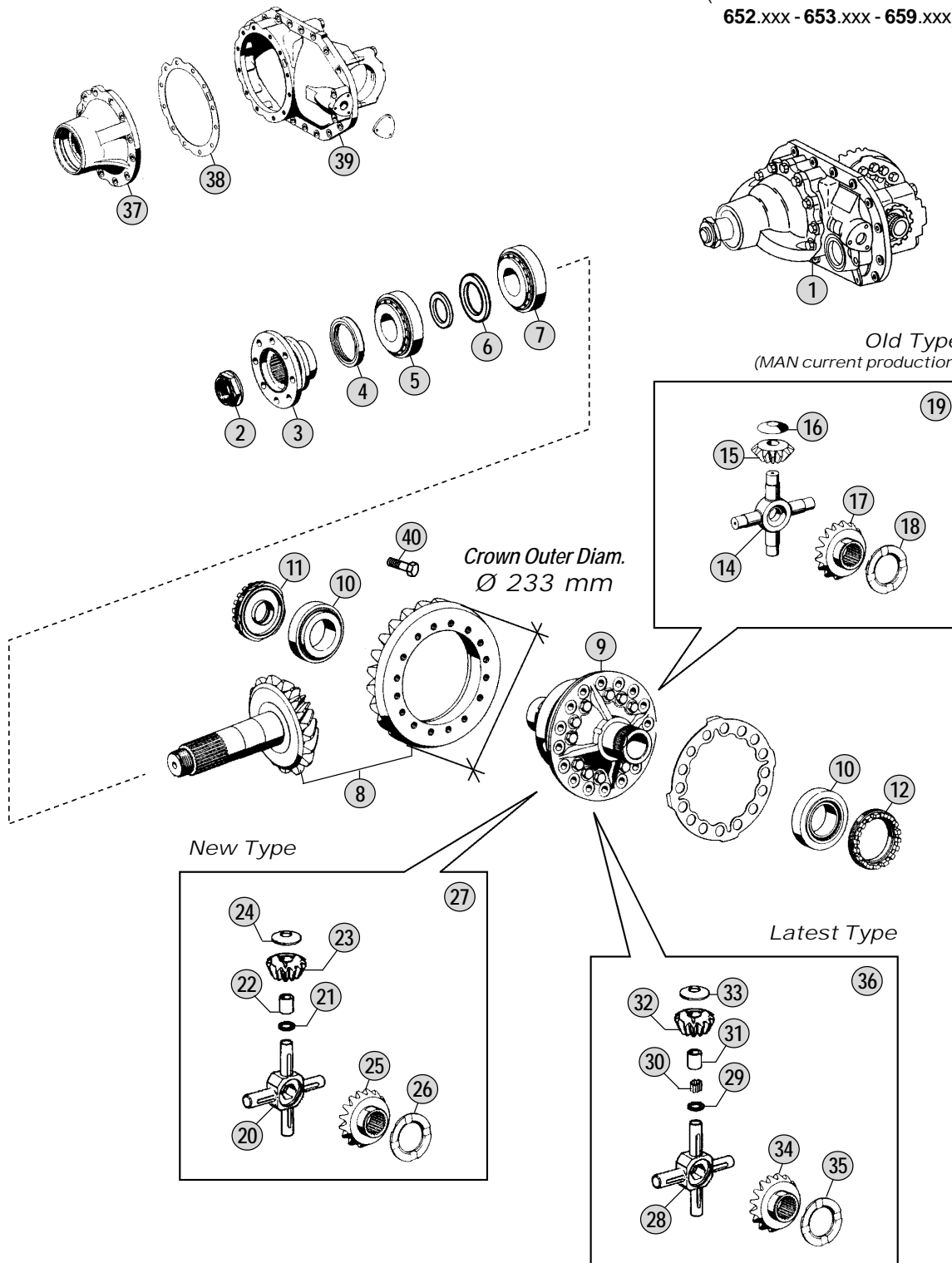
(CH 343.xxx - 346.xxx - 387.xxx - 389.xxx
 391.xxx - 393.xxx - 395.xxx)

LK

(CH From 673.xxx To 677.xxx)

MK-SK

(CH 617.xxx - 619.xxx - 651.xxx
 652.xxx - 653.xxx - 659.xxx)



All original equipment manufacturers' numbers, symbols, pictures, models and description used in this catalogue are for reference only, and it is not implied that any part listed is the product of these manufactures. Tutti i nostri particolari non sono originali ma con essi intercambiabili. I riferimenti originali, le figure, i modelli sono esposti a semplice titolo indicativo. La nostra produzione riporta il nostro marchio.

Models

HL7/1 - HL7/3 - HL7/4 - HL7/10 - HL7/18 - HL7/24 - HL7/26 - HO7/8DL10

From **740.100** To **740.199** From **740.200** To **740.234** From **748.512** To **748.526**

From **740.900** To **740.949**



Fig.	CEI no.	Rif. MB	Description	Q.ty	Note	HL7 - HO7				
19	198.859	CEI 198859	Differential Gear Kit	1	Old Type	●				
20	133.056	355 353 0620	Differential Spider	1	New Type	●				
21	115.010	355 353 6051	Spacer Ring	4	New Type	●				
22	117.253	355 353 0750	Bush 22x26x24,5	4	New Type	●				
23	182.051	494 335 0214	Side Pinion 10 T	4	(C) New Type	●				
23	182.076	355 353 0614	Side Pinion 10 T	4	(D) New Type	●				
24	169.581	494 335 0075	Thrust Washer	4	New Type	●				
25	122.064	355 353 0315	Side Gear 16 T-34 Splines	2	(C) New Type	●				
25	122.103	355 353 0815	Side Gear 16 T-34 Splines	2	(D) New Type	●				
26	169.589	355 353 0562	Thrust Washer (Bronze)	2		●				
26	169.807	308 353 0062	Thrust Washer (Steel)	2		●				
27	198.365	393 586 0035	Differential Gear Kit	1	(C) New Type	●				
27	198.910	393 350 0040	Differential Gear Kit	1	(D) New Type	●				
28	133.129	395 353 0320	Differential Spider	1	Latest Type	●				
29	115.025	395 353 0551	Spacer	4	Latest Type	●				
30	198.911	395 981 0287	Needle Kit (156 Pcs)	1	Latest Type	●				
31	117.353	395 353 0351	Bush	4	Latest Type	●				
32	182.077	395 353 0114	Side Pinion 10 T	4	Latest Type	●				
33	169.827	395 353 0277	Thrust Washer	4	Latest Type	●				
34	122.104	355 353 0615	Side Gear 14 T-34 Splines	2	Latest Type	●				
35	169.589	355 353 0562	Thrust Washer (Bronze)	2		●				
35	169.807	308 353 0062	Thrust Washer (Steel)	2		●				
36	198.909	395 350 0040	Differential Gear Kit	1	Latest Type	●				
37	199.100	355 353 0807	Cover	1		●				
38	139.579	355 353 0152	Shim Sp.0,10 mm	1	(A)	●				
38	139.580	355 353 0552	Shim Sp.0,50 mm	1	(A)	●				
38	139.581	355 353 0652	Shim Sp.1,00 mm	1	(A)	●				
38	139.897	355 353 1052	Shim Sp.0,15 mm	1	(B)	●				
38	139.898	355 353 1252	Shim Sp.0,35 mm	1	(B)	●				
38	139.899	355 353 1352	Shim Sp.0,50 mm	1	(B)	●				
38	139.900	355 353 1452	Shim Sp.1,00 mm	1	(B)	●				
39	199.099	387 350 0020	Differential Support	1	(A)	●				
39	199.320	389 350 2520	Differential Support	1	(B)	●				
40	187.629	383 990 0701	Screw M12x1 (Cwp to Housing)	16		●				

Rear Axle
with CWP Ø 233

Notes

(A - B) To be coupled together
(C - D) To be coupled together

Date

04 / 2011

Table

0540

Adattabile a : **MERCEDES**
 Suitable To :

HL7/07 - 010 - 013 - 015 - 021

Models

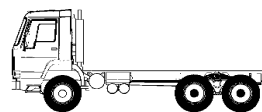
LP-NG
 (CH 343.xxx - 346.xxx - 387.xxx
 389.xxx - 391.xxx - 393.xxx - 395.xxx)

LK
 (CH From 673.xxx To 677.xxx)

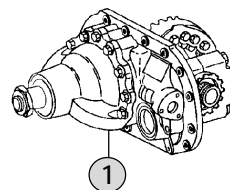
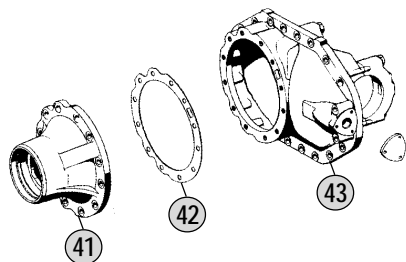
MK-SK
 (CH 617.xxx - 619.xxx - 651.xxx
 652.xxx - 653.xxx - 659.xxx)

ACTROS MP1
 (CH From 950.xxx To 954.xxx)

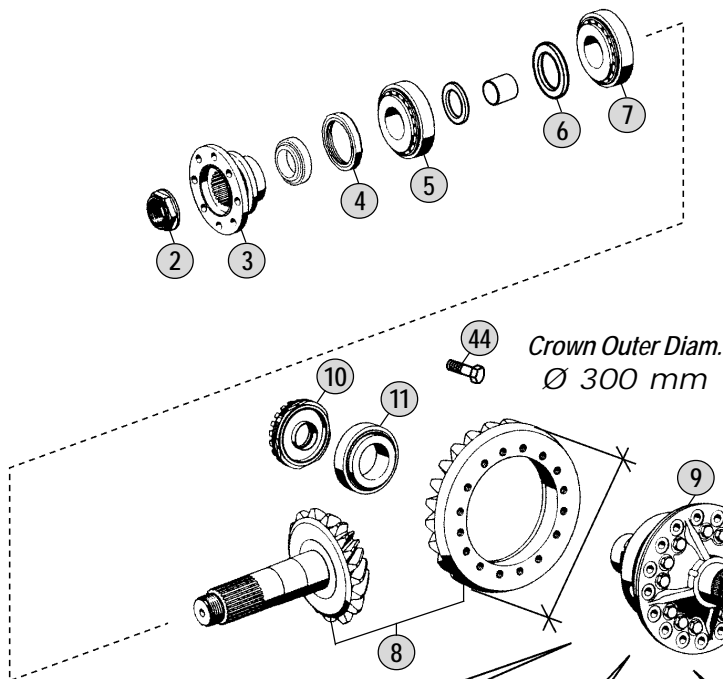
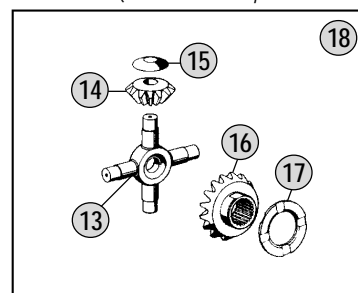
MAXI-ATEGO
 (CH From 930.500 To 950.600)



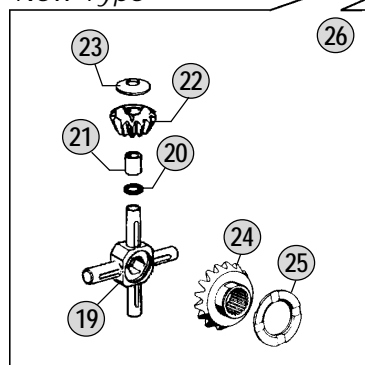
HD7 + HL7
 Axles with
 Ø 300 mm CWP



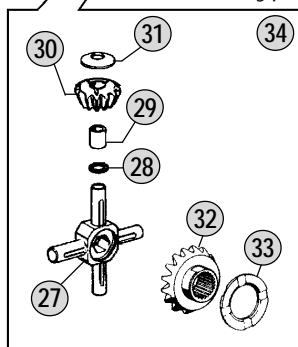
Old Type
 (MAN current production)



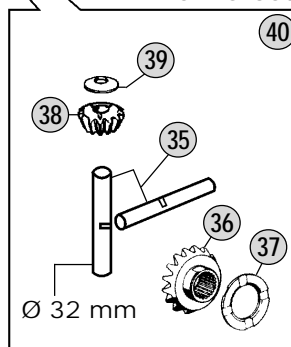
New Type



Latest Type



Latest Reinforced



All original equipment manufacturers' numbers, symbols, pictures, models and description used in this catalogue are for reference only, and it is not implied that any part listed is the product of these manufacturers. Tutti i nostri particolari non sono originali ma con essi intercambiabili. I riferimenti originali, le figure, i modelli sono esposti a semplice titolo indicativo. La nostra produzione riporta il nostro marchio.

Models

HL7/07 - HL7/010 - HL7/013 - HL7/015 - HL7/021

From **740.300 To 740.399** From **740.950 To 740.999** From **748.400 To 748.459**



Fig.	CEI no.	Rif. MB	Description	Q.ty	Note	HL7 / 07				
1	280.740	307 350 4020	Central Gear 11x31 R.1:2,82	1	38 Km/h	●				
1	280.741	346 350 9803	Central Gear 12x27 R.1:2,25	1	48 Km/h	●				
1	280.742	346 350 7120	Central Gear 15x29 R.1:1,93	1	56 Km/h	●				
1	280.743	346 350 7220	Central Gear 17x29 R.1:1,70	1	64 Km/h	●				
1	280.744	346 350 9903	Central Gear 18x27 R.1:1,70	1	72 Km/h	●				
1	280.745	346 350 7020	Central Gear 21x28 R.1:1,33	1	81 Km/h	●				
1	280.746	397 350 0120	Central Gear 24x29 R.1:1,20	1	90 Km/h	●				
1	280.747	393 350 7720	Central Gear 25x29 R.1:1,16	1	93 Km/h	●				
1	280.748	655 350 7820	Central Gear 24x26 R.1:1,08	1	100 Km/h	●				
2	187.536	946 351 0072	Nut M5x1,5	1		●				
3	197.211	942 350 0245	Output Flange D.150 mm	1		●				
3	155.086	346 350 0445	Output Flange D.165 mm	1		●				
3	155.070	346 350 0645	Output Flange D.165 mm	1		●				
3	197.210	942 350 0145	Output Flange D.165 mm	1		●				
3	155.071	346 350 0545	Output Flange D.180 mm	1		●				
3	155.294	346 350 0845	Output Flange D.180 mm	1		●				
3	155.295	346 350 1245	Output Flange D.180 mm	1		●				
3	197.073	942 350 0045	Output Flange D.180 mm	1		●				
3	197.218	346 350 0945	Output Flange D.255 mm	1		●				
4	139.589	015 997 4747	Oil seal 85x105x13	1		●				
5	130.324	002 981 4505	Bearing 65x140x36	1		●				
6	169.836	346 353 1429	Thrust Washer 85x120	1		●				
7	130.598	003 981 3105	Bearing 70x150x38	1		●				
8	294.102	307 350 0139	Crown & Pinion 11x31 R.=1:2,82	1	(A)	●				
8	194.287	346 350 6239	Crown & Pinion 12x27 R.=1:2,25	1	(A)	●				
8	194.183	346 350 6039	Crown & Pinion 15x29 R.=1:1,93	1	(A)	●				
8	194.131	346 350 5639	Crown & Pinion 17x29 R.=1:1,71	1	(A)	●				
8	194.126	346 350 1739	Crown & Pinion 18x27 R.=1:1,50	1	(A)	●				
8	194.182	346 350 1939	Crown & Pinion 21x28 R.=1:1,33	1	(A)	●				
8	194.419	346 350 8039	Crown & Pinion 24x29 R.=1:1,21	1	(B)	●				
8	194.422	346 350 7839	Crown & Pinion 25x29 R.=1:1,16	1	(B)	●				
8	194.421	346 350 7639	Crown & Pinion 24x26 R.=1:1,08	1	(C)(1)	●				
9	199.048	346 350 0427	Differential Housing Empty	1	(A)	●				
9	199.046	346 350 8123	Differential Housing Assy	1	(A)	●				
9	199.113	346 350 1127	Differential Housing Empty	1	(B)	●				
9	199.275	CEI 199275	Differential Housing Empty	1	(B) Reinforced	●				
9	199.106	346 350 8223	Differential Housing Assy	1	(B)	●				
9	199.277	942 350 1823	Differential Housing Assy	1	(B) Reinforced	●				
9	199.107	346 350 2127	Differential Housing Empty	1	(C)(1)	●				
9	199.276	CEI 199276	Differential Housing Empty	1	(C) Reinforced	●				
9	199.108	393 350 2623	Differential Housing Assy	1	(C)(1)	●				
9	199.278	942 350 1923	Differential Housing Assy	1	(C) Reinforced	●				
10	187.514	346 350 0443	Grooved Nut	1		●				
11	130.599	003 981 3205	Bearing	2		●				
12	187.515	652 353 0025	Grooved Nut	1		●				

Rear Axle
with CWP Ø 300**Notes**

- (A-B-C) Respect the coupling as the assembling wheelbase between the CWP and the differential housing changes.
- (1) Bevel Gear 24x26 R.=1:1,08 **MUST** be assembled only on Axles with SAME RATIO.
- (2) Old Style Toothing. Use items marked (2) together
- (3) New Style Toothing. Use items marked (3) together

Date

04 / 2011

Table**0550**

Adattabile a : **MERCEDES**
 Suitable To :

HL7/07 - 010 - 013 - 015 - 021

Models

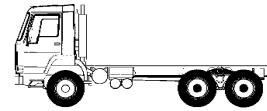
LP-NG
 (CH 343.xxx - 346.xxx - 387.xxx
 389.xxx - 391.xxx - 393.xxx - 395.xxx)

LK
 (CH From 673.xxx To 677.xxx)

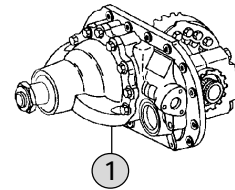
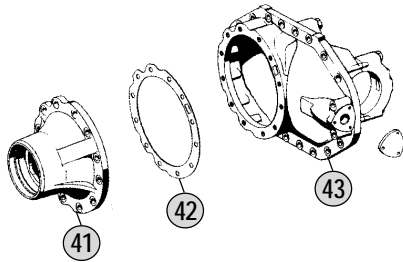
MK-SK
 (CH 617.xxx - 619.xxx - 651.xxx
 652.xxx - 653.xxx - 659.xxx)

ACTROS MP1
 (CH From 950.xxx To 954.xxx)

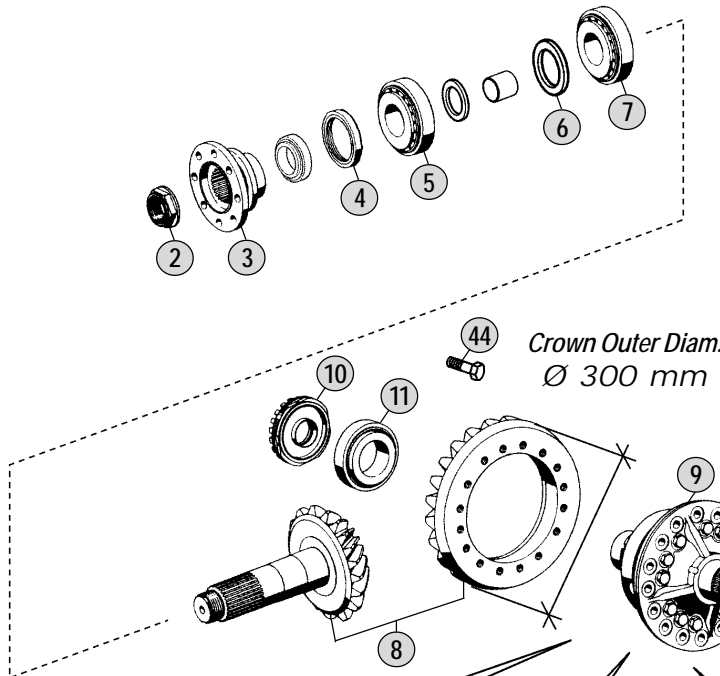
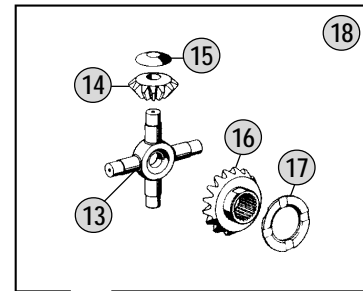
MAXI-ATEGO
 (CH From 930.500 To 950.600)



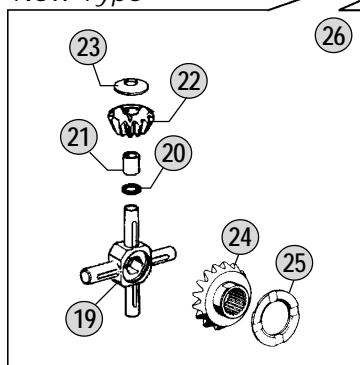
HD7 + HL7
 Axles with
 Ø 300 mm CWP



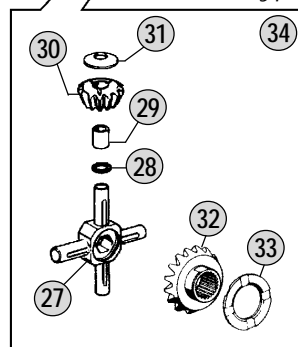
Old Type
 (MAN current production)



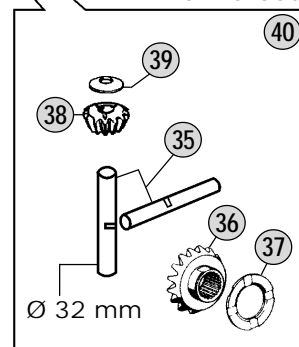
New Type



Latest Type



Latest Reinforced



All original equipment manufacturers' numbers, symbols, pictures, models and description used in this catalogue are for reference only, and it is not implied that any part listed is the product of these manufactures. Tutti i nostri particolari non sono originali ma con essi intercambiabili. I riferimenti originali, le figure, i modelli sono esposti a semplice titolo indicativo. La nostra produzione riporta il nostro marchio.

Models

HL7/07 - HL7/010 - HL7/013 - HL7/015 - HL7/021

From **740.300 To 740.399** From **740.950 To 740.999** From **748.400 To 748.459**

Fig.	CEI no.	Rif. MB	Description	Q.ty	Note	HL7 / Ø7				
13	133.024	346 350 0228	Differential Spider	1	Old Type	●				
14	182.003	366 353 0414	Side Pinion 11 T	4 (2)	Old Type	●				
14	182.080	CEI 182080	Side Pinion 11 T	4 (3)	Old Type	●				
15	169.136	346 353 0124	Thrust Washer	4	Old Type	●				
16	122.005	346 353 0315	Side Gear 16 T-40 Splines	2 (2)	Old Type	●				
16	122.076	346 353 0815	Side Gear 16 T-40 Splines	2 (3)	Old Type	●				
17	169.137	346 353 2262	Thrust Washer	2	Old Type	●				
18	198.915	CEI 198915	Differential Gear Kit	1 (3)	Old Type	●				
19	133.013	346 353 0420	Differential Spider	1	New Type	●				
20	115.006	346 353 3251	Spacer	4	New Type	●				
21	117.083	346 353 0950	Bush 28x32x35	4	New Type	●				
22	182.027	346 353 0614	Side Pinion 11 T	4	New Type	●				
23	169.136	346 353 0124	Thrust Washer	4	New Type	●				
24	122.005	346 353 0315	Side Gear 16 T-40 Splines	2	New Type	●				
25	169.137	346 353 2262	Thrust Washer	2	New Type	●				
26	198.128	387 586 0035	Differential Gear kit	1	New Type	●				
27	133.013	346 353 0420	Differential Spider	1	Latest Type	●				
28	115.006	346 353 3251	Spacer	4	Latest Type	●				
29	117.083	346 353 0950	Bush 28x32x35	4	Latest Type	●				
30	182.056	346 353 1014	Side Pinion 11 T	4	Latest Type	●				
31	169.136	346 353 0124	Thrust Washer	4	Latest Type	●				
32	122.076	346 353 0815	Side Gear 16 T-40 Splines	2	Latest Type	●				
33	169.137	346 353 2262	Thrust Washer	2	Latest Type	●				
34	198.557	387 350 0040	Differential Gear kit	1	Latest Type	●				
35	107.227	CEI 107227	Pin	2	Reinforced	●				
36	122.076	346 353 0815	Side Gear 16 T-40 Splines	2		●				
37	269.133	CEI 269133	Washer	2	Reinforced	●				
38	182.056	346 353 1014	Side Pinion 11 T	4	Reinforced	●				
39	269.182	CEI 269182	Washer	4	Reinforced	●				
40	298.168	CEI 298168	Differential gear kit	1	Reinforced	●				
41	199.109	346 353 0807	Cover	1 (AB)		●				
41	199.110	346 353 0907	Cover	1 (C)		●				
42	169.833	346 353 0952	Shim Sp.0,10 mm	1 (AB)		●				
42	169.834	346 353 1352	Shim Sp.0,50 mm	1 (AB)		●				
42	169.835	346 353 1452	Shim Sp.1,00 mm	1 (AB)		●				
42	169.837	346 353 1852	Shim Sp.0,10 mm	1 (C)		●				
42	169.838	346 353 2252	Shim Sp.0,50 mm	1 (C)		●				
42	169.836	346 353 1429	Thrust Washer 85x120	1 (C)		●				
43	199.111	395 350 8720	Differential support	1 (AB)		●				
43	199.112	942 350 0703	Differential support	1 (C)		●				
44	187.630	346 990 3101	Screw M14x1 (Cwp to Housing)	16		●				

Rear Axle
with CWP Ø 300**Notes**

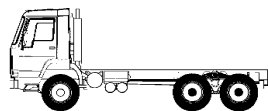
- (A-B-C) Respect the coupling as the assembling wheelbase between the CWP and the differential housing changes.
- (1) Bevel Gear 24x26 R.=1:1,08 **MUST** be assembled only on Axles with SAME RATIO.
- (2) Old Style Toothing. Use items marked (2) together
- (3) New Style Toothing. Use items marked (3) together

Date

04 / 2011

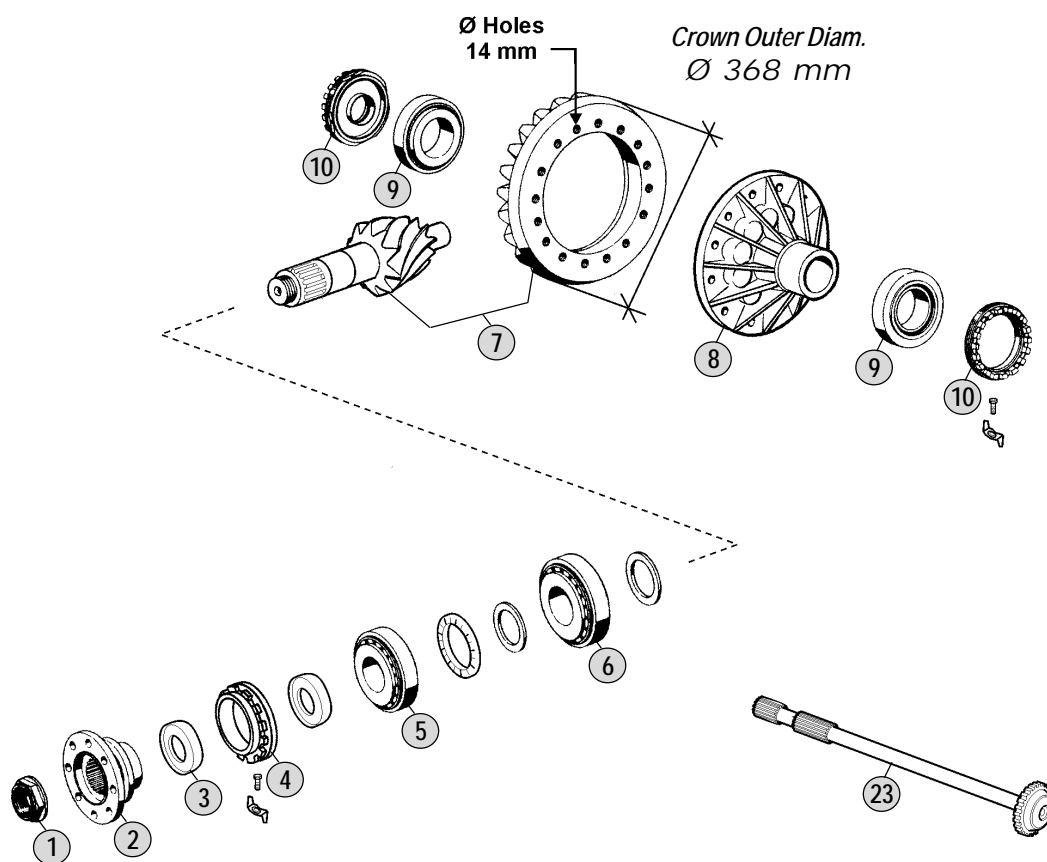
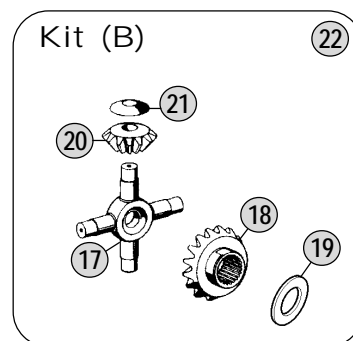
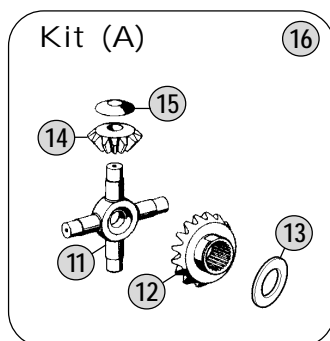
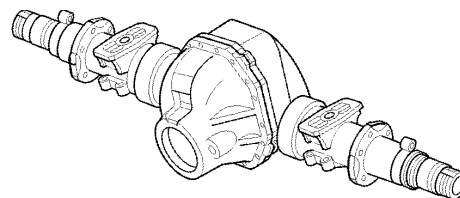
Table**0550**

Adattabile a : **MERCEDES**
 Suitable To :



HL4 + HL4
 Axles with
 Ø 368 mm CWP

Models
 LP-NG
 (CH 387.xxx - 389.xxx - 391.xxx
 393.xxx - 395.xxx)
 MK-SK
 (CH 617.xxx - 619.xxx - 651.xxx
 652.xxx - 653.xxx - 659.xxx)



Models

HL4/1-7,6 - HL4/4-8,8 - HL4/16-7,7 - HL4/23-7,7 - HL4/8-10 - HL4/17-9,2 - HH4/19D10
 HO4/10DL10 - HL4/28D7,8 - HL4/30D6,4 - HL4/29D9,2 - HL4/31DS7,0 - HL4/32D10,6

From 744.900 To 744.999; From 744.700 To 744.735; From 744.400 To 744.450

From 744.500 To 744.532; From 744.300 To 744.352; From 744.600 To 744.632

Fig.	CEI no.	Rif. MB	Description	Q.ty	Note	HL4 Ø 368 mm				
1	187.253	385 351 0172	Nut M40x1,5	1		●				
2	155.088	360 350 0045	Output Flange D.130 mm	1		●				
2	155.087	358 350 0045	Output Flange D.120 mm	1		●				
2	155.297	360 350 0645	Output Flange D.150 mm	1		●				
3	139.901	016 981 6847	Oil Seal	1		●				
4	287.070	327 353 1025	Grooved Nut	1		●				
5	130.874	002 981 1105	Bearing 60x135x35	1		●				
6	130.896	012 981 8505	Bearing	1		●				
7	194.137	616 350 0139	Crown & pinion 7x48 R.=1:6,86	1	56 Km/h	●				
7	194.171	301 350 0739	Crown & pinion 7x43 R.=1:6,14	1	62 Km/h	●				
7	194.136	301 350 0639	Crown & pinion 7x40 R.=1:5,71	1	67 Km/h	●				
7	294.104	383 350 0739	Crown & Pinion 8x42 R.=1:5,25	1	73 Km/h	●				
7	194.138	301 350 1339	Crown & pinion 8x39 R.=1:4,88	1	79 Km/h	●				
7	194.172	301 350 0839	Crown & pinion 10x43 R.=1:4,30	1	89 Km/h	●				
7	294.103	676 350 0239	Crown & Pinion 12x46 R.=1:3,83	1	100 Km/h	●				
8	199.298	322 350 0927	Differential Housing Empty	1	(AB)(X#) Empty	●				
8	199.047	383 350 2323	Differential Housing Assy	1	(A)	●				
8	199.299	383 350 2123	Differential Housing Assy	1	(B)	●				
9	130.875	002 981 1605	Bearing	2		●				
10	287.073	321 353 0025	Grooved Nut	2		●				
11	133.014	383 353 0120	Differential Spider	1	(A)(XY)	●				
12	122.006	358 353 0015	Side Gear 18 T-38 Splines	2	(A)(X)	●				
12	122.131	675 353 0215	Side Gear 16 T-38 Splines	2	(A)(Y)	●				
13	169.138	674 353 0362	Thrust Washer	2	(A)(X)	●				
13	269.386	676 353 0162	Thrust Washer	2	(A)(Y)	●				
14	182.005	302 353 0014	Side Pinion 10 T	4	(A)(X)	●				
14	182.096	675 353 0014	Side Pinion 9 T	4	(A)(Y)	●				
15	169.135	352 353 0024	Thrust Washer	4	(A)(XY)	●				
16	198.129	381 586 0135	Differential gear kit	1	(A)(X)	●				
16	298.224	675 350 0040	Differential Kit	1	(A)(Y)	●				
17	133.014	383 353 0120	Differential Spider	1	(B)(#@)	●				
18	122.132	302 353 0015	Side Gear 18 T-24 Spines	2	(B)(#)	●				
18	122.239	675 353 0115	Side Gear	2	(B)(@)	●				
19	169.138	674 353 0362	Thrust Washer	2	(B)(#)	●				
19	269.386	676 353 0162	Thrust Washer	2	(B)(@)	●				
20	182.005	302 353 0014	Side Pinion 10 T	4	(B)(#)	●				
20	182.096	675 353 0014	Side Pinion 9 T	4	(B)(@)	●				
21	169.135	352 353 0024	Thrust Washer	4	(B)(#@)	●				
22	198.130	358 586 0035	Differential Kit	1	(B)(#)	●				
22	298.222	675 350 0140	Differential Gear Kit	1	(B)(@)	●				
23	170.303	301 357 0301	Drive Shaft	2	(A)	●				
23	170.029	322 357 2601	Drive Shaft L=973 mm	2	(A)	●				
23	170.305	383 357 0501	Drive Shaft	2	(B)	●				
23	170.306	383 357 0601	Drive Shaft	2	(B)	●				
23	170.307	385 357 0501	Drive Shaft	2	(B)	●				

Rear Axle
with CWP Ø 368

Notes

(A) Version with 38 splines
(X) Old Generation
(#) Old Generation(B) Version with 40 splines
(Y) New Generation
(@) New Generation

Date

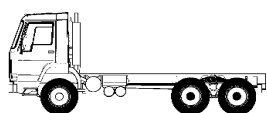
04 / 2011

Table

0560

Adattabile a : **MERCEDES**

HD4 / 22



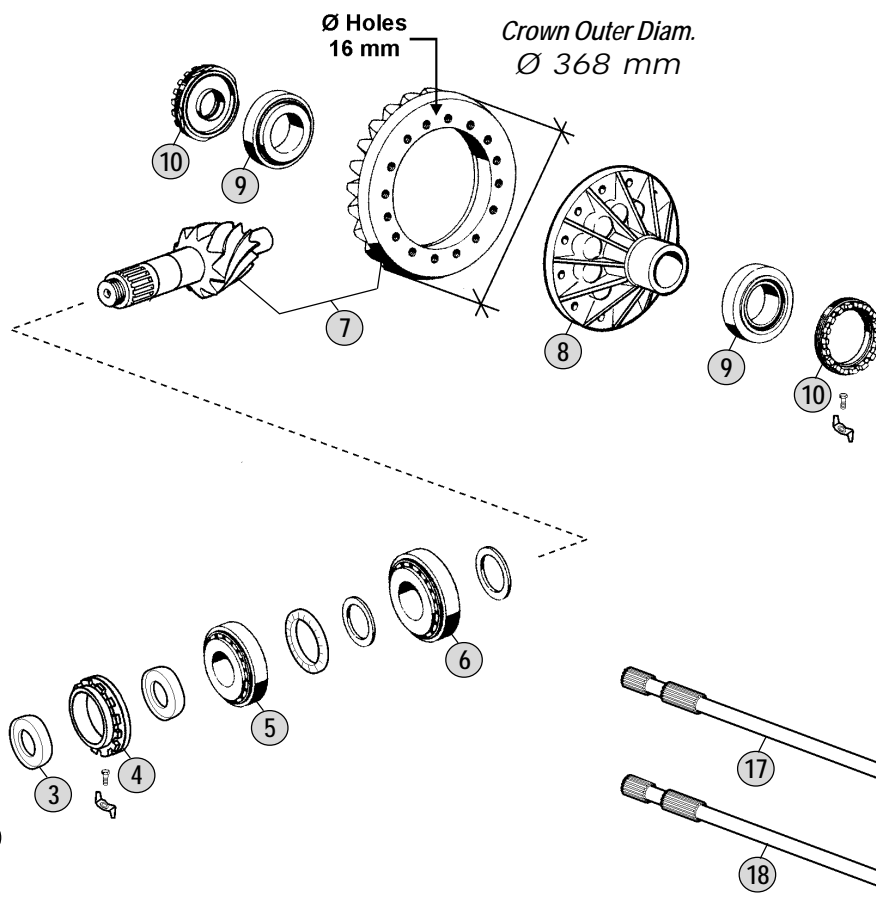
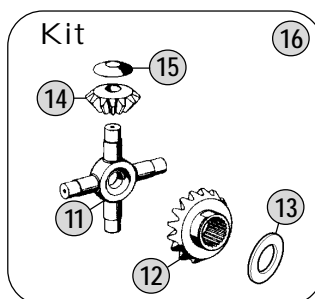
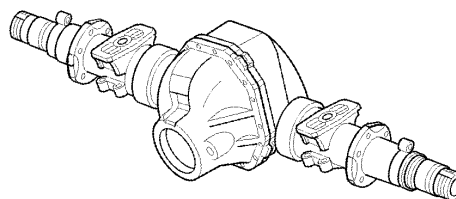
HD4 + HD4
Axles with
Ø 368 mm CWP

Models

LP-NG

(CH 387.xxx - 389.xxx - 391.xxx
393.xxx - 395.xxx)

MK-SK

(CH 617.xxx - 619.xxx - 651.xxx
652.xxx - 653.xxx - 659.xxx)**Models**

HD4 / 22

From **744.804** To **744.877**

All original equipment manufacturers' numbers, symbols and description used in this catalogue are for reference only, and it is not implied that any part listed is the product of these manufactures.
Tutti i nostri particolari non sono originali ma con essi intercambiabili. I riferimenti originali, le figure, i modelli sono esposti a semplice titolo indicativo. La nostra produzione riporta il nostro marchio.

Fig.	CEI no.	Rif. MB	Description	Q.ty	Note	HD4 / 22				
1	187.253	385 351 0172	Nut M40x1,5	1		●				
2	155.297	360 350 0645	Output Flange D.150 mm	1		●				
2	155.302	653 350 0245	Output Flange D.150 mm	1		●				
3	139.885	016 997 6847	Oil Seal	1		●				
4	287.070	327 353 1025	Grooved Nut	1		●				
5	130.874	002 981 1105	Bearing 60x135x35	1		●				
6	130.896	012 981 8505	Bearing	1		●				
7	294.105	385 350 1639	Crown & Pinion 7x48 R.=1:6,86	1	56 Km/h	●				
7	294.106	385 350 1539	Crown & Pinion 7x43 R.=1:6,14	1	62 Km/h	●				
7	294.107	385 350 1739	Crown & Pinion 7x40 R.=1:5,71	1	67 Km/h	●				
7	294.108	385 350 2739	Crown & Pinion 8x39 R.=1:4,87	1	79 Km/h	●				
7	294.109	385 350 1939	Crown & Pinion 10x43 R.=1:4,30	1	89 Km/h	●				
7	294.110	676 350 0339	Crown & Pinion 12x46 R.=1:3,83	1	100 Km/h	●				
8	199.288	385 350 0427	Differential Housing Empty	1	Empty	●				
8	199.289	385 350 4923	Differential Housing Assy	1	(#) Assy	●				
8	199.290	675 350 1323	Differential Housing Assy	1	(@) Assy	●				
9	130.878	002 981 9705	Bearing	2		●				
10	287.054	360 353 0025	Grooved Nut	2		●				
11	133.014	383 353 0120	Differential Spider	1	(#@)	●				
12	122.132	302 353 0015	Side Gear 18 T-24 Spines	2	(#)	●				
12	122.239	675 353 0115	Side Gear	2	(@)	●				
13	169.138	674 353 0362	Thrust Washer	2	(#)	●				
13	269.386	676 353 0162	Thrust Washer	2	(@)	●				
14	182.005	302 353 0014	Side Pinion 10 T	4	(#)	●				
14	182.096	675 353 0014	Side Pinion 9 T	4	(@)	●				
15	169.135	352 353 0024	Thrust Washer	4	(#@)	●				
16	198.130	358 586 0035	Differential Kit	1	(#)	●				
16	298.222	675 350 0140	Differential Gear Kit	1	(@)	●				
17	170.308	385 357 0301	Drive Shaft	1	Right	●				
17	170.309	385 357 5001	Drive Shaft	1	Right	●				
18	170.310	385 357 0101	Drive Shaft	1	Left	●				
18	170.311	385 357 4801	Drive Shaft	1	Left	●				

Rear Axle
with CWP Ø 368

Notes

(#) Old Generation
 (@) New Generation

Date

04 / 2011

Table

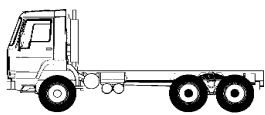
0570

All original equipment manufacturers' numbers, symbols, pictures, models and description used in this catalogue are for reference only, and it is not implied that any part listed is the product of these manufacturers.
 Tutti i nostri particolari non sono originali ma con essi intercambiabili. I riferimenti originali, le figure, i modelli sono esposti a semplice titolo indicativo. La nostra produzione riporta il nostro marchio.

Adattabile a : **MERCEDES**

Suitable To :

HD4 - HH4 - HL4 - HO4

**HD4 + HD4**

Axles with

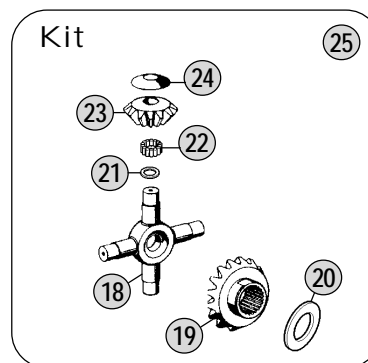
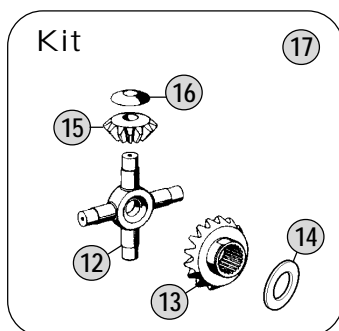
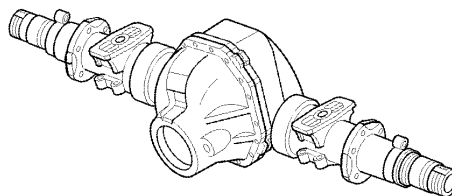
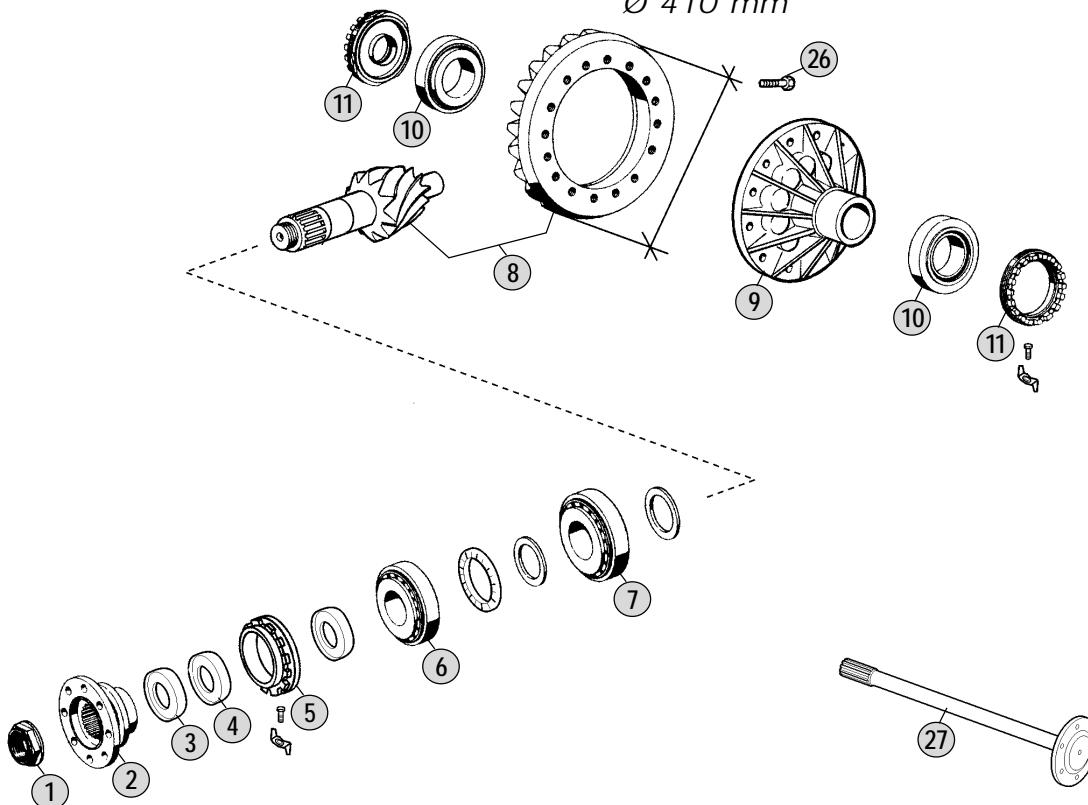
Ø 410 mm CWP

Models

LP-NG

(CH 387.xxx - 389.xxx - 391.xxx
393.xxx - 395.xxx)

MK-SK

(CH 617.xxx - 619.xxx - 651.xxx
652.xxx - 653.xxx - 659.xxx)Crown Outer Diam.
Ø 410 mm**Models**

HL4/09 D-9,2 - HL4/01 D/DL-10 - HL4/06 D-12 - HL4/07 D-9,4

HH4/04 D-12 - HO4/02 CL11,5 - HO4/01 D-11,5 - HD4/03 D-10

HO4/01 DL-10 - HL4/05 D-9,2 - HL4/05 D-9,2 - HL4/08 D-10,6

From **745.600** To **745.699** From **745.701** To **745.799** From **745.800** To **745.899**

HD4-HH4-HL4-HO4

All original equipment manufacturers numbers, symbols, pictures, models and description used in this catalogue are for reference only, and it is not implied that any part listed is the product of these manufactures.
Tutti i nostri particolari non sono originali ma con essi intercambiabili. I riferimenti originali, le figure, i modelli sono esposti a semplice titolo indicativo. La nostra produzione riporta il nostro marchio.

Fig.	CEI no.	Rif. MB	Description	Q.ty	Note				
1	187.253	385 351 0172	Nut M40x1,5	1		●			
2	155.279	385 353 0945	Output Flange D.130 mm	1		●			
2	155.280	385 353 1045	Output Flange D.150 mm	1		●			
2	155.281	385 353 1345	Output Flange D.150 mm	1		●			
2	155.282	385 353 1145	Output Flange D.165 mm	1		●			
3	139.884	016 997 6747	Oil seal	1		●			
4	139.883	016 997 6647	Oil seal	1		●			
5	287.055	615 353 0125	Grooved Nut	1		●			
6	130.888	006 981 1705	Roller Bearing 65x165x36,1	1		●			
7	130.889	006 981 3505	Roller Bearing 65x165x40	1		●			
8	294.111	385 350 4339	Crown & Pinion 7x41 R.=1:5,86	1	(A) 52 Km/h	●			
8	194.833	385 350 4139	Crown & Pinion 9x47 R.=1:5,22	1	(A) 59 Km/h	●			
8	194.834	652 350 0039	Crown & Pinion 8x38 R.=1:4,75	1	(A) 65 Km/h	●			
8	194.838	301 350 2239	Crown & Pinion 10x43 R.=1:4,30	1	(A) 71 Km/h	●			
8	194.378	301 350 2339	Crown & Pinion 12x47 R.=1:3,92	1	(A) 78 Km/h	●			
8	194.836	652 350 0339	Crown & Pinion 12x44 R.=1:3,66	1	(B) 84 Km/h	●			
8	194.835	652 350 0239	Crown & Pinion 12x40 R.=1:3,33	1	(B) 92 Km/h	●			
8	194.837	300 350 0139	Crown & Pinion 15x46 R.=1:3,06	1	(C) 100 Km/h	●			
9	199.063	385 350 1427	Differential Housing Empty	1	(A)(D) Empty	●			
9	199.065	387 350 2123	Differential Housing Assy	1	(A)(D) Assy	●			
9	199.064	615 350 3023	Differential Housing Assy	1	(A)(E) Assy	●			
9	199.314	652 350 0923	Differential Housing Assy	1	(A)(E)(*) Assy	●			
9	199.253	615 350 3123	Differential Housing Assy	1	(B)(E) Assy	●			
9	199.318	615 350 2923	Differential Housing Assy	1	(C)(E) Assy	●			
10	130.883	006 981 0005	Roller Bearing 90x140x32	2		●			
11	287.057	615 353 0325	Grooved Nut	2		●			
12	133.066	617 353 0120	Differential Spider	1	(D)	●			
13	122.069	617 353 0115	Side Gear 20 T-38 Splines	2	(D)	●			
14	169.692	385 353 4062	Thrust Washer T.1,50mm	2	(D)	●			
14	169.640	385 353 2262	Thrust Washer T.1,45mm	2	(D)	●			
15	182.053	617 353 0114	Side Pinion 11 T	4	(D)	●			
16	169.639	385 353 1262	Thrust Washer 29x1,00	4	(D)	●			
17	198.712	385 350 0040	Differential Gear Kit	1	(D)	●			
18	133.098	615 353 0120	Differential Spider	1	(E)	●			
19	122.069	617 353 0115	Side Gear 20 T-38 Splines	2	(E)	●			
20	169.692	385 353 4062	Thrust Washer T.1,50mm	2	(E)	●			
20	169.640	385 353 2262	Thrust Washer T.1,45mm	2	(E)	●			
21	115.015	615 353 0051	Spacer Ring	4	(E)	●			
22	171.036	615 981 0186	Needle D.2,50x28,65	160	(E)	●			
23	182.057	615 353 0214	Side Pinion 11 T	4	(E)	●			
24	169.693	615 353 0262	Thrust Washer T.30x67x2	4	(E)	●			
25	198.713	615 350 0040	Differential Gear Kit	1	(E)	●			
26	287.080	385 990 2401	Screw	18		●			
27	170.289	385 357 5501	Drive Shaft With Lock L=1024	2		●			
27	170.291	652 357 0301	Drive Shaft W/Out Lock	2		●			

Notes

(A-B-C) Respect the coupling as the assembling wheelbase between the CWP and the differential housing changes.

(D) Old Type

(E) New Type

(*) Special Version 745.780/81/82/83

Date

04 / 2011

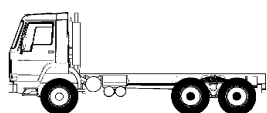
Table

0580

Rear Axle
with CWP Ø 410

Adattabile a : **MERCEDES**

HD4 - HH4 - HL4 - HO4

**HD4 + HD4**

Axles with

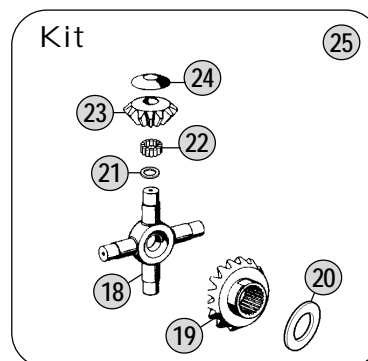
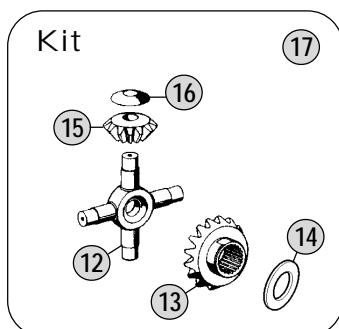
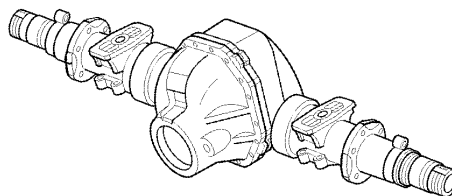
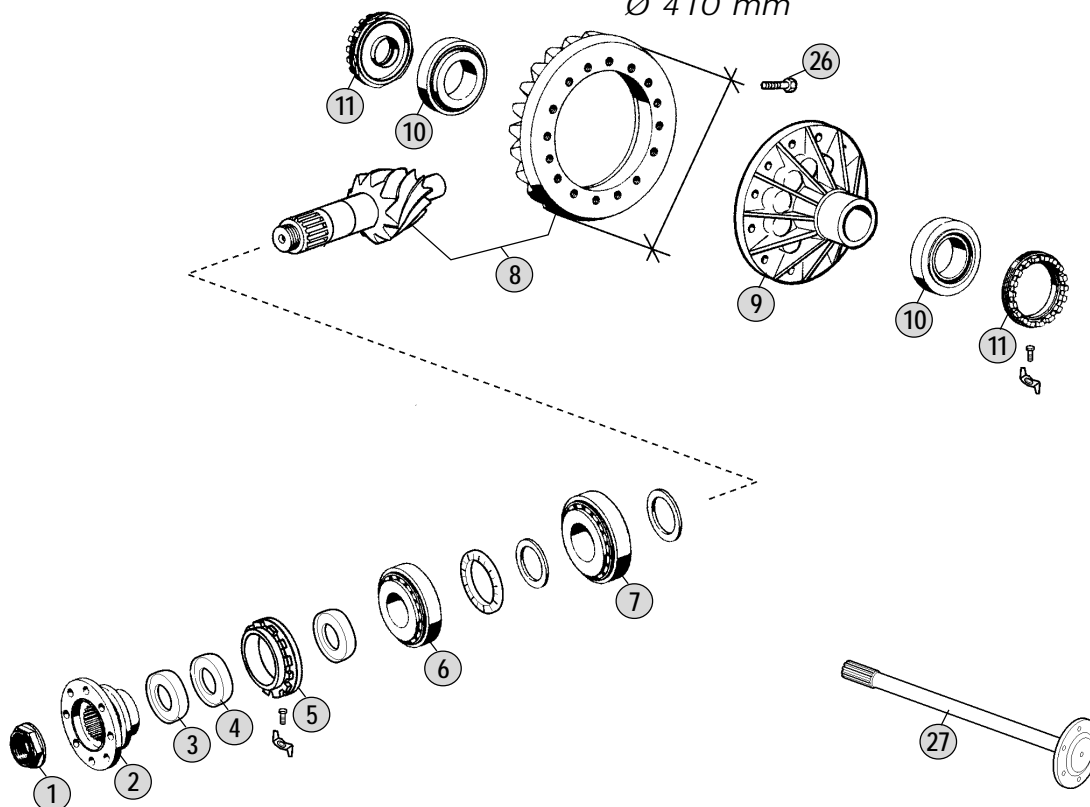
Ø 410 mm CWP

Models

LP-NG

(CH 387.xxx - 389.xxx - 391.xxx
393.xxx - 395.xxx)

MK-SK

(CH 617.xxx - 619.xxx - 651.xxx
652.xxx - 653.xxx - 659.xxx)Crown Outer Diam.
Ø 410 mm**Models**

HL4/09 D-9,2 - HL4/01 D/DL-10 - HL4/06 D-12 - HL4/07 D-9,4

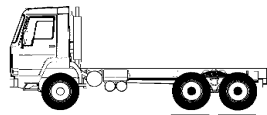
HH4/04 D-12 - HO4/02 CL11,5 - HO4/01 D-11,5 - HD4/03 D-10

HO4/01 DL-10 - HL4/05 D-9,2 - HL4/05 D-9,2 - HL4/08 D-10,6

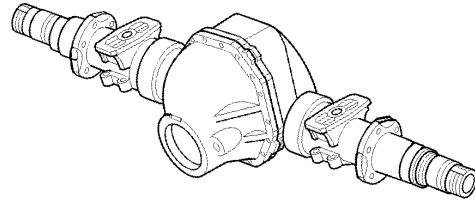
From **745.600** To **745.699** From **745.701** To **745.799** From **745.800** To **745.899**

Adattabile a : **MERCEDES**
 Suitable To :

HL 1/2-3,3 - HL 1/3-4,5

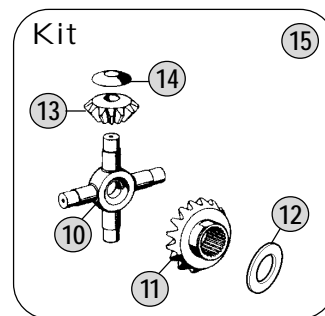


HL + HL
 Axles with
 Ø 244 mm CWP

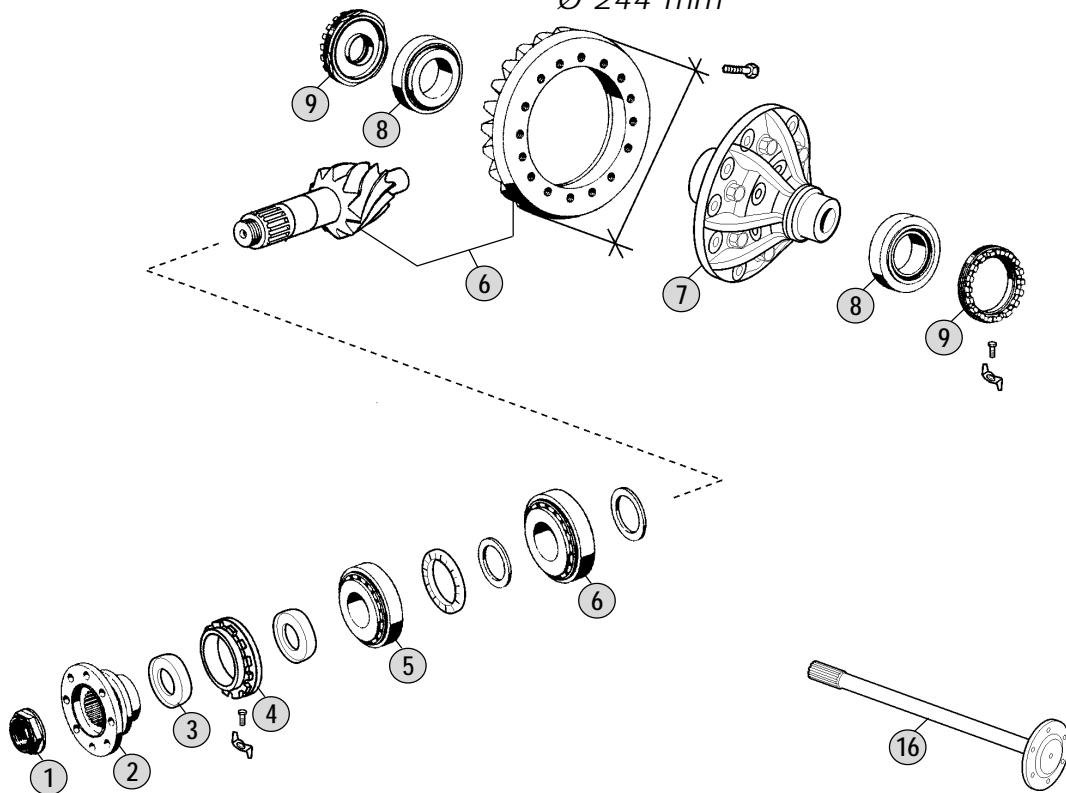


Buses Models

O309 - O406 - O407 - O408
 O409 - O410 - O508 - O608
 (CH 309.xxx - 406.xxx - 407.xxx - 408.xxx
 409.xxx - 410.xxx - 508.xxx - 608.xxx)



Crown Outer Diam.
 Ø 244 mm



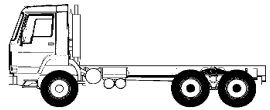
Models

HL 1/2-3,3 - HL1/3-4,5

745.001/030/031/200/201/202/203

Adattabile a : **MERCEDES**
 Suitable To :

HL 2/5-9-2-3-4-7-12-11-13-14-15



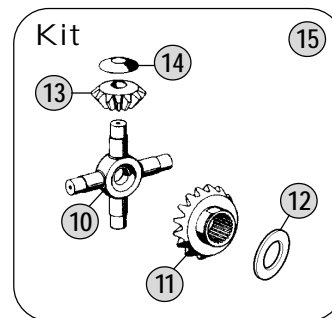
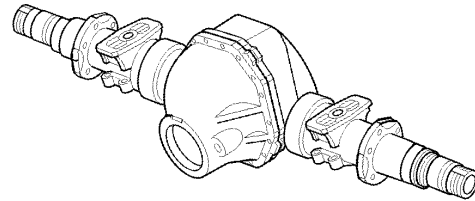
HL + HL
 Axles with
 Ø 312 mm CWP

Models

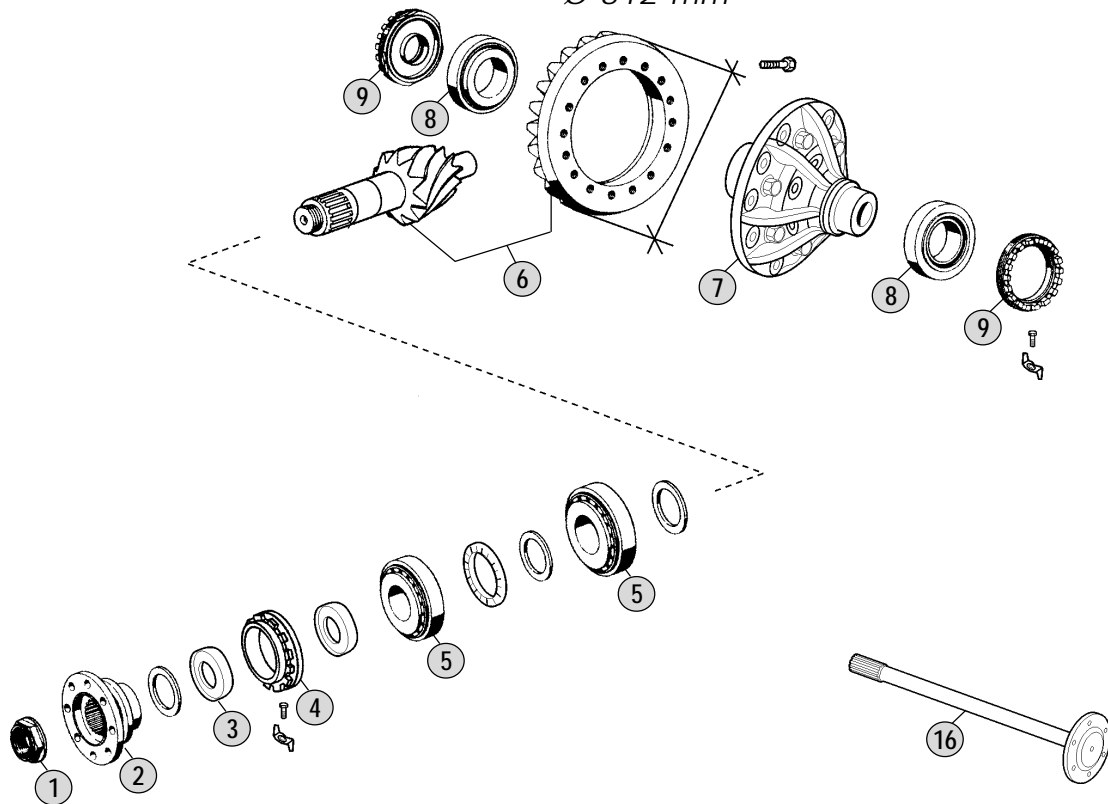
TRANSPORTER T1/T2
 508/608/609/613/709/711/
 809/811/814/1013/1317
 (CH 631.xxx - 601.xxx - 611.xxx
 661.xxx - 667.xxx - 668.xxx - 672.xxx)

Buses Models

O301 - O402 - O614
 (CH 301.xxx - 402.xxx - 614.xxx)



Crown Outer Diam.
 Ø 312 mm



All original equipment manufacturers' numbers, symbols, models and description used in this catalogue are for reference only, and it is not implied that any part listed is the product of these manufacturers.
 Tutti i nostri particolari non sono originali ma con essi intercambiabili. I riferimenti originali, le figure, i modelli sono esposti a semplice titolo indicativo. La nostra produzione riporta il nostro marchio.

Models

HL 2/5-4,5 - HL 2/9-4,7 - HL 2/2-4,8 - HL 2/3-5,7 - HL 2/4-6,4

HL 2/7-7,7 - HL 2/12 D-4,5 - HL 2/11 D-5,8 - HL 2/13 D-6,4

HL 2/14 D-6,9 - HL 2/15 D-5,8

From **741.300 To 741.337** From **741.560 To 741.580** From **742.420 To 742.486**

Fig.	CEI no.	Rif. MB	Description	Q.ty	Note	HL				
1	187.471	385 351 0372	Nut M 32x1,5	1		●				
2	155.277	316 350 0045	Output Flange D.120 mm	1		●				
2	155.278	318 350 0145	Output Flange D.130 mm	1		●				
3	139.880	011 997 7447	Oil seal	1		●				
4	287.051	316 353 0025	Grooved Nut	1		●				
5	130.876	002 981 8805	Bearing	2		●				
5	130.872	001 981 9405	Bearing	2		●				
5	130.892	008 981 1605	Bearing	2		●				
5	130.880	003 981 2901	Bearing	1		●				
6	194.179	674 350 0439	Crown & pinion 8x41 R.=1:5,13	1	(A) 57 Km/h	●				
6	194.180	318 350 1239	Crown & pinion 10x43 R.=1:4,30	1	(A) 68 Km/h	●				
6	294.113	674 350 0639	Crown & Pinion 11x43 R.=1:3,90	1	(A) 75 Km/h	●				
6	294.114	310 350 0439	Crown & Pinion 11x40 R.=1:3,64	1	(A) 80 Km/h	●				
6	294.115	670 350 0339	Crown & Pinion 13x41 R.=1:3,15	1	(B) 93 Km/h	●				
6	294.116	670 350 0239	Crown & Pinion 13x38 R.=1:2,92	1	(B) 100 m/h	●				
7	199.294	316 350 0227	Differential Housing Empty	1	(A)(C)	●				
7	199.045	316 350 1423	Differential Housing Assy	1	(A)(C)	●				
7	199.295	380 350 0027	Differential Housing Empty	1	(A)(D)	●				
7	199.296	380 350 0523	Differential Housing Assy	1	(A)(D)	●				
7	199.297	669 350 0623	Differential Housing Assy	1	(B)(D)	●				
8	130.869	001 981 6005	Bearing	2	(C)	●				
8	130.885	005 981 9405	Bearing	2	(D)	●				
9	287.052	324 353 0225	Grooved Nut	2		●				
10	133.059	318 353 0020	Spider	1	(CD)	●				
11	122.066	314 353 0715	Side Gear 16 T-33 Splines	2	(C)	●				
11	122.237	380 353 0015	Side Gear 16 T-33 Splines	2	(D)	●				
11	122.244	674 353 0015	Side Gear	2	(D)(*) Latest	●				
12	269.379	314 353 0962	Thrust Washer T.1,95 mm	2	(C)	●				
12	269.380	380 353 0162	Thrust Washer T.1,28 mm	2	(D)	●				
12	269.508	674 353 0262	Thrust Washer	2	(D)(*) Latest	●				
13	182.046	316 353 0014	Side Pinion 10 T	4	(C)	●				
13	182.130	380 353 0014	Side Pinion 10 T	4	(D)	●				
13	182.134	674 353 0014	Side Pinion	4	(D)(*) Latest	●				
14	269.381	314 353 0224	Thrust Washer	4	(C)	●				
14	269.382	380 353 0024	Thrust Washer	4	(D)	●				
15	198.556	314 350 0026	Differential Kit	1	(C)	●				
15	298.214	318 586 0135	Differential Kit	1	(D)	●				
16	170.294	310 357 1101	Drive Shaft	1	(C)	●				
16	170.295	310 357 0601	Drive Shaft	1	(C)	●				
16	170.296	674 357 0001	Drive Shaft	1	(D)	●				
16	170.047	314 357 0501	Drive Shaft	1	(D)	●				

Notes

(A - B) To be coupled together
 (C - D) To be coupled together
 (*) 380 353 0015 + 380 353 0162 + 380 353 0014 Replaced by
 674 353 0015 + 674 353 0014 + 674 353 0262

Date

04 / 2011

Table

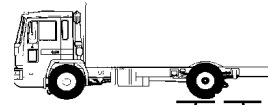
0600

All original equipment manufacturers numbers, symbols, pictures, models and description used in this catalogue are for reference only, and it is not implied that any part listed is the product of these manufactures.
 Tutti i nostri particolari non sono originali ma con essi intercambiabili. I riferimenti originali, le figure, i modelli sono esposti a semplice titolo indicativo. La nostra produzione riporta il nostro marchio.

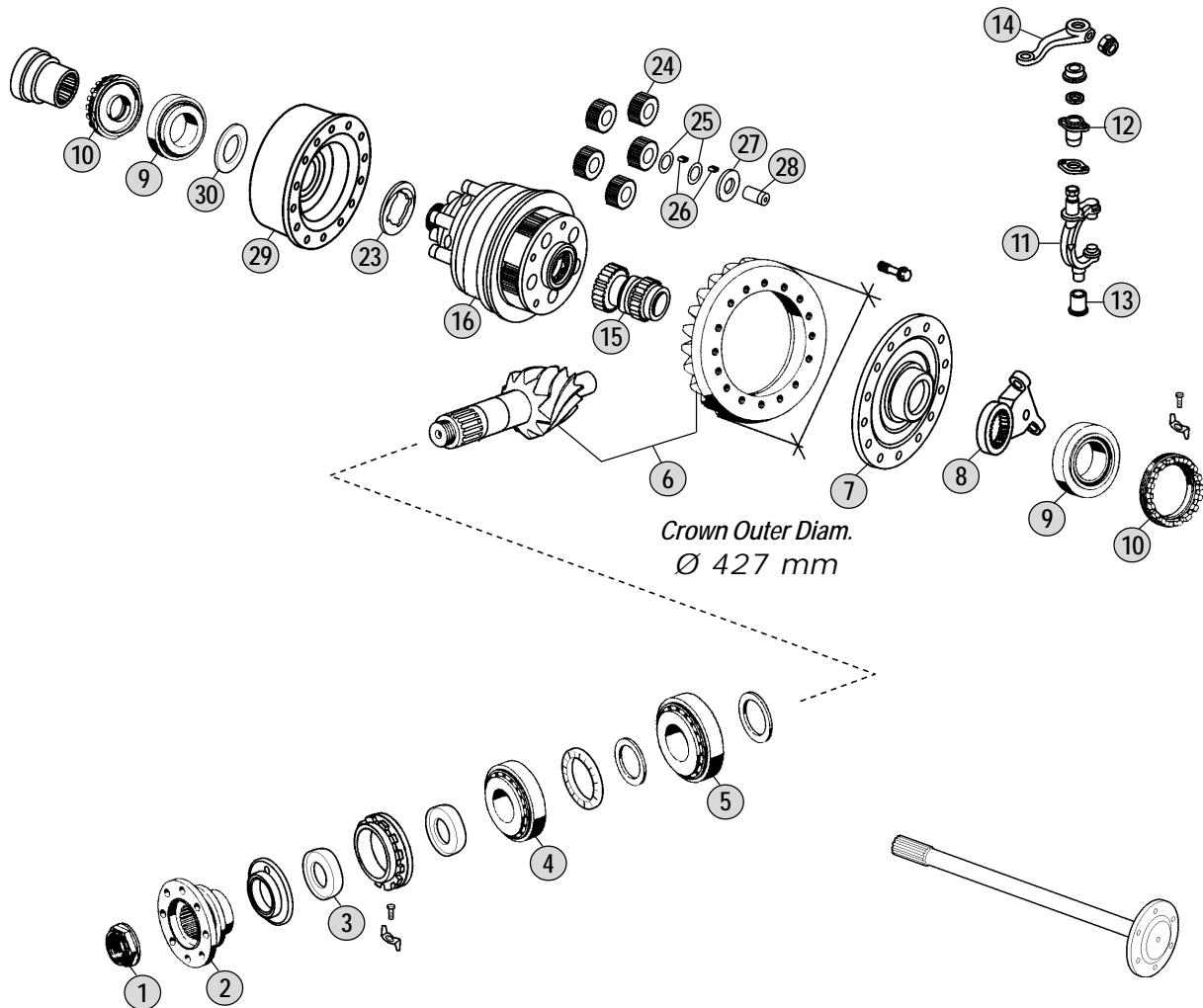
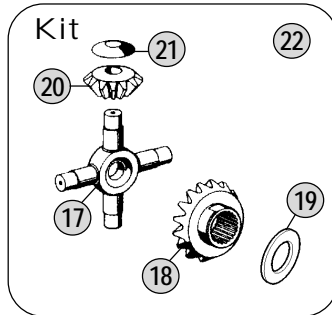
Adattabile a : **MERCEDES**
Suitable To :

HL 5/1 Z-10 - HL 5/2 Z-10

Models
LP-NG
(CH 385.xxx)



HL + HL
Axles with
Ø 427 mm CWP



All original equipment manufacturers' numbers, symbols, models and description used in this catalogue are for reference only, and it is not implied that any part listed is the product of these manufactures. Tutti i nostri particolari non sono originali ma con essi intercambiabili. I riferimenti originali, le figure, i modelli sono esposti a semplice titolo indicativo. La nostra produzione riporta il nostro marchio.

Models

HL 5/1 Z-10 - HL 5/2 Z-10
From **745.000** To **745.043**



Fig.	CEI no.	Rif. MB	Description	Q.ty	Note	HL 5/12 Z-10				
1	187.253	385 351 0172	Nut M40x1,5	1		●				
2	155.088	360 350 0045	Output Flange D.130 mm	1		●				
2	155.285	386 353 0745	Output Flange D.130 mm	1		●				
2	155.287	360 350 0445	Output Flange D.150 mm	1		●				
3	139.883	016 997 6647	Oil seal	1		●				
4	130.873	001 981 9905	Bearing	1		●				
5	130.879	003 981 1205	Bearing	1		●				
6	194.174	302 350 1539	Crown & Pinion 7x48 R.=1:6,86	1	74 Km/h	●				
6	194.177	302 350 2639	Crown & Pinion 7x43 R.=1:6,15	1	82 Km/h	●				
6	194.176	302 350 2839	Crown & Pinion 8x45 R.=1:5,63	1	90 Km/h	●				
7	128.240	354 353 0113	Cover	1		●				
8	235.899	360 353 0319	Sleeve support	1		●				
9	130.870	017 981 7905	Bearing 100x150x32	2		●				
10	287.068	354 353 0025	Grooved Nut	2		●				
11	141.230	327 350 1588	Fork	1		●				
12	117.447	327 353 0338	Bush	1		●				
13	117.448	327 353 0438	Bush	1		●				
14	149.267	338 353 0132	Lever	1		●				
15	147.087	354 353 0085	Gear 23 T	1		●				
16	199.076	338 350 0727	Differential Housing Empty	1	(A) Empty	●				
16	199.055	354 350 0123	Differential Housing Assy	1	(A) Assy	●				
16	199.075	302 350 1823	Differential Housing Assy	1	(B) Assy	●				
17	133.026	360 353 0020	Differential Spider 30M	1	(A) 30M	●				
17	133.235	301 353 0020	Differential Spider 29M	1	(B) 29M	●				
18	122.020	354 353 0015	Side Gear 20 T-37 Splines	2	(A)	●				
18	122.185	301 353 0115	Side Gear 20 T-37 Splines	2	(B)	●				
19	169.265	327 353 3962	Thrust washer T.1,50 mm	2		●				
20	182.016	354 353 0014	Side Pinion 11 T	4	(A)	●				
20	182.131	385 353 0114	Side Pinion 11 T	4	(B)	●				
21	169.266	327 353 4662	Thrust Washer 30x1,00	4	(A)	●				
21	169.639	385 353 1262	Thrust Washer 29x1,00	4	(B)	●				
22	198.260	354 586 0035	Differential Kit	1	(A)	●				
22	298.216	352 350 0040	Differential Kit	1	(B)	●				
23	169.677	327 353 2952	Thrust Washer T.1,50 mm	1		●				
23	269.384	327 353 3052	Thrust Washer T.1,80 mm	1		●				
24	157.088	327 353 0586	Side pinion 17 T	5		●				
25	169.676	327 353 2462	Thrust washer	10		●				
26	171.039	355 981 0187	Needle D.4x11,80 Kit (70 Pcs)	5	(70 pcs)	●				
27	169.675	327 353 2162	Thrust washer	5		●				
28	107.092	354 353 0174	Planerary Pin	5		●				
29	155.288	385 353 0013	Hub	1		●				
30	269.385	327 353 6552	Thrust Washer T.6,50 mm	1		●				

Notes

(A - B) To be coupled together

Date

04 / 2011

Table

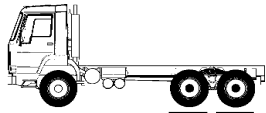
0610

All original equipment manufacturers numbers, symbols, pictures, models and description used in this catalogue are for reference only, and it is not implied that any part listed is the product of these manufactures.
Tutti i nostri particolari non sono originali ma con essi intercambiabili. I riferimenti originali, le figure, i modelli sono esposti a semplice titolo indicativo. La nostra produzione riporta il nostro marchio.

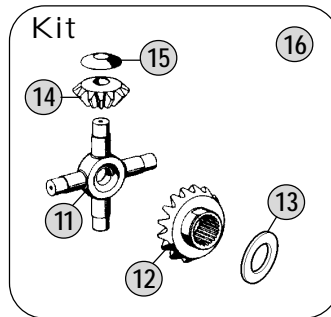
Adattabile a : **MERCEDES**
Suitable To :

HO5/8 DL-10

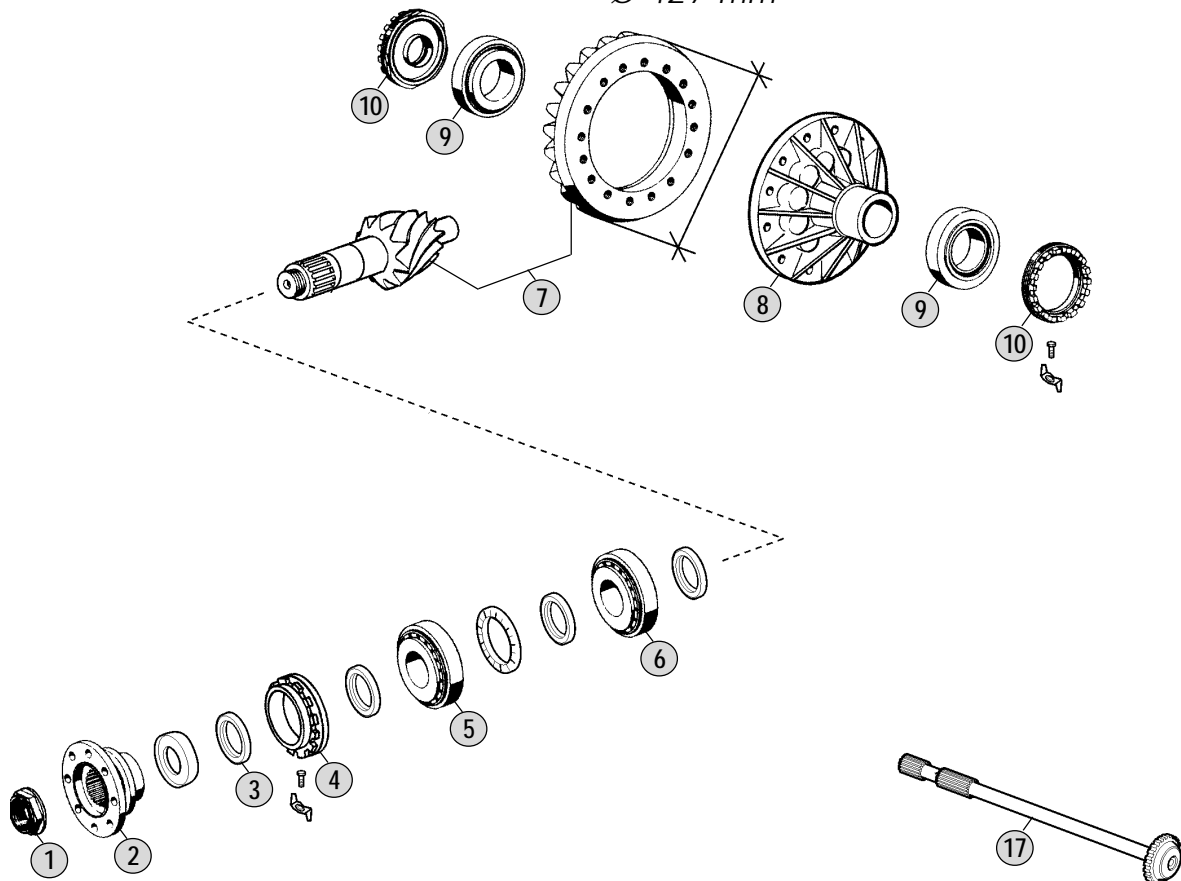
Buses Models
O302 - O303
(CH 302.xxx - 303.xxx)



HO + HO
Axles with
Ø 427 mm CWP



Crown Outer Diam.
Ø 427 mm



Models

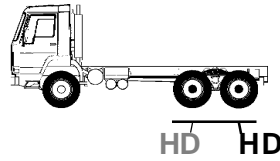
HO5/8 DL-10
From **745.200** To **745.230**



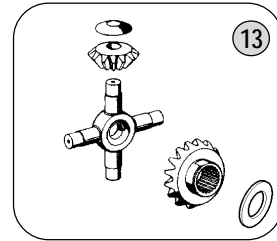
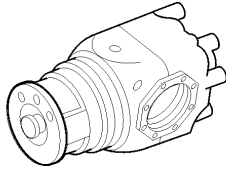
All original equipment manufacturers' numbers, symbols, models and description used in this catalogue are for reference only, and it is not implied that any part listed is the product of these manufactures. Tutti i nostri particolari non sono originali ma con essi intercambiabili. I riferimenti originali, le figure, i modelli sono esposti a semplice titolo indicativo. La nostra produzione riporta il nostro marchio.

Adattabile a : **MERCEDES**
Suitable To :

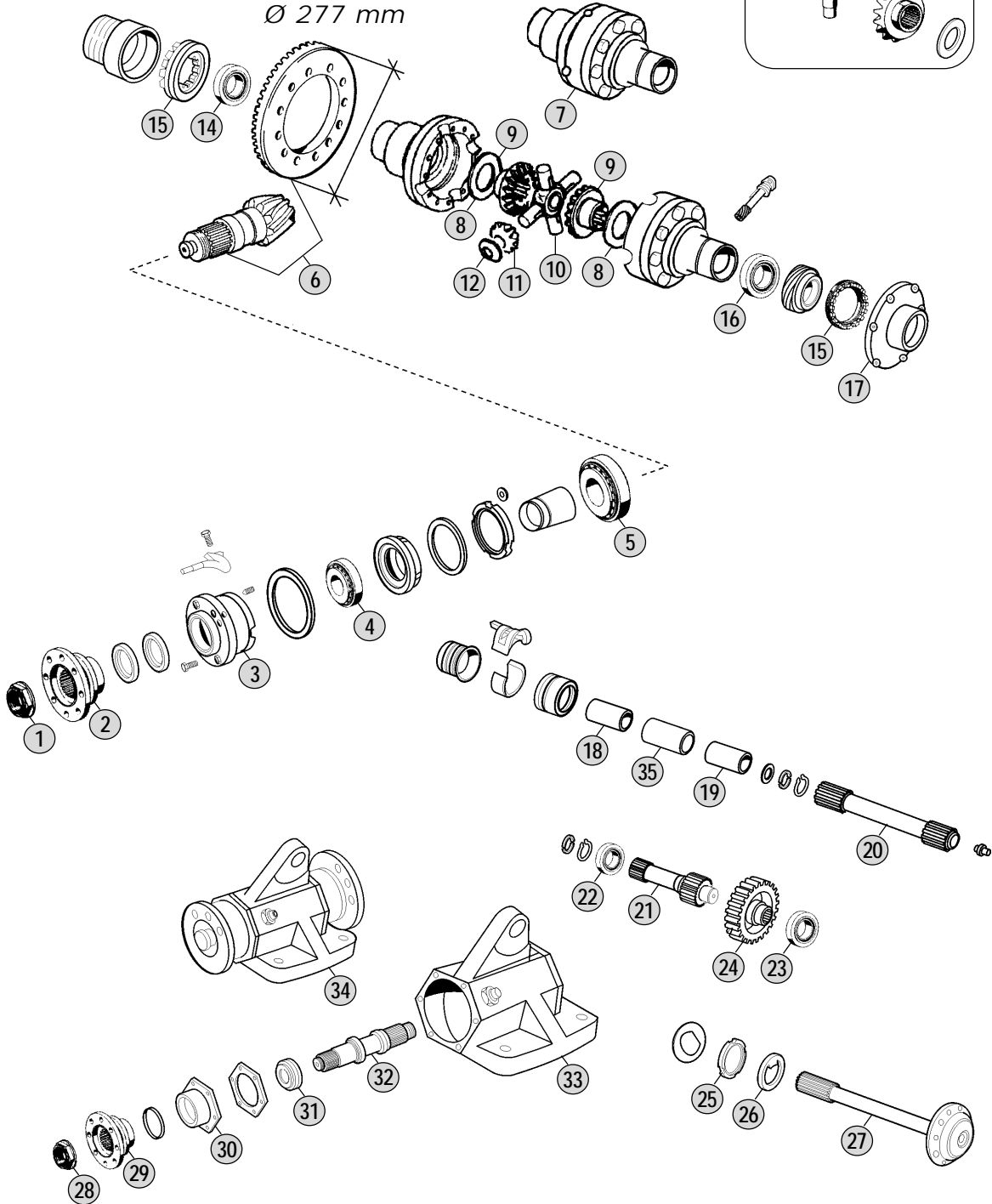
HD 6/3 DG-10



Models
LP-NG
(CH 343.xxx - 346.xxx)



Crown Outer Diam.
Ø 277 mm



Models

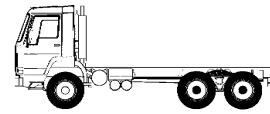
HD 6/3 DG-10
745.500 - 501

All original equipment manufacturers' numbers, symbols, models and description used in this catalogue are for reference only, and it is not implied that any part listed is the product of these manufactures. Tutti i nostri particolari non sono originali ma con essi intercambiabili. I riferimenti originali, le figure, i modelli sono esposti a semplice titolo indicativo. La nostra produzione riporta il nostro marchio.



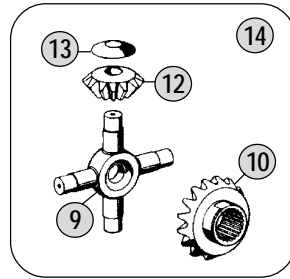
Adattabile a : **MERCEDES** HL O/01 - HL O/02 - HL O/14 - HL O/15
Suitable To :

Models
SPRINTER
(CH 901.xxx - 902.xxx - 903.xxx
904.xxx)

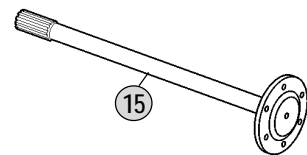
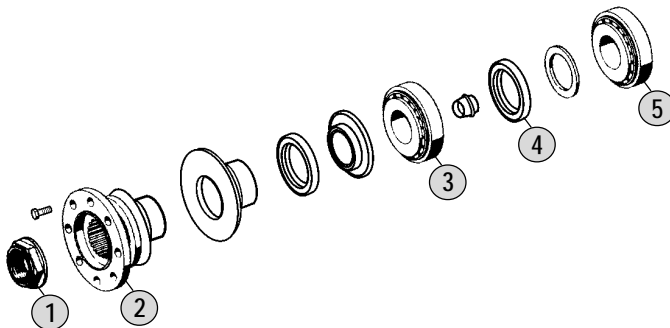
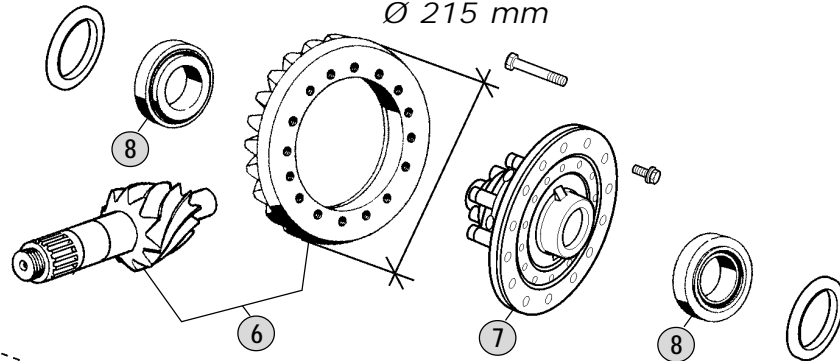


HLO

Axles with
Ø 215 mm CWP



Crown Outer Diam.
Ø 215 mm



All original equipment manufacturers' numbers, symbols, pictures, models and description used in this catalogue are for reference only, and it is not implied that any part listed is the product of these manufacturers. Tutti i nostri particolari non sono originali ma con essi intercambiabili. I riferimenti originali, le figure, i modelli sono esposti a semplice titolo indicativo. La nostra produzione riporta il nostro marchio.

Models

HL O/01 - HL O/02 - HL O/14 - HL O/15

741.130-131-407-408-409



Fig.	CEI no.	Rif. MB	Description	Q.ty	Note	H/L/O				
1	287.081	601 351 0172	Nut	1		●				
2	155.305	901 353 0145	Output Flange D.122 mm	1		●				
3	130.891	007 981 5305	Bearing	1		●				
4	139.889	023 997 5847	Oil seal	1		●				
5	130.884	005 981 2405	Bearing	1		●				
6	294.117	602 350 2839	Crown & Pinion 6x37 R.=1:6,17	1	80 Km/h	●				
6	294.118	602 350 2739	Crown & Pinion 7x37 R.=1:5,28	1	93 Km/h	●				
6	294.119	602 350 2639	Crown & Pinion 7x34 R.=1:4,86	1	102 Km/h	●				
6	194.912	904 350 0039	Crown & Pinion 8x35 R.=1:4,37	1	113 Km/h	●				
6	294.120	602 350 2939	Crown & Pinion 9x37 R.=1:4,11	1	120 Km/h	●				
7	199.304	901 350 0023	Differential Housing	1	W/out Lock Assy	●				
7	199.323	902 350 0123	Differential Housing	1	W/Lock Assy	●				
8	130.867	001 980 6802	Roller Bearing	2		●				
9	133.236	611 353 5020	Differential Spider	1		●				
10	122.242	611 353 5015	Side Gear 16 T-26 Splines	2		●				
11	269.393	611 353 5152	Washer Th.1,30 mm	2		●				
11	269.394	611 353 0252	Washer Th.1,35 mm	2		●				
11	269.395	611 353 5252	Washer Th.1,40 mm	2		●				
11	269.396	611 353 0352	Washer Th.1,45 mm	2		●				
11	269.397	611 353 5352	Washer Th.1,50 mm	2		●				
11	269.398	611 353 0452	Washer Th.1,55 mm	2		●				
11	269.399	611 353 5452	Washer Th.1,60 mm	2		●				
11	269.400	611 353 0552	Washer Th.1,65 mm	2		●				
11	269.401	611 353 5552	Washer Th.1,70 mm	2		●				
11	269.402	611 353 0652	Washer Th.1,75 mm	2		●				
11	269.403	611 353 0052	Washer Th.1,80 mm	2		●				
11	269.404	611 353 0752	Washer Th.1,85 mm	2		●				
11	269.405	611 353 0152	Washer Th.1,90 mm	2		●				
12	182.129	107 353 0014	Side Pinion 10 T	4		●				
13	269.391	668 353 0024	Thrust Washer	4		●				
14	298.227	668 350 0026	Differential Kit	1		●				
15	170.313	904 357 0201	Drive Shaft	2		●				

Rear Axle
with CWP Ø 215

All original equipment manufacturers' numbers, symbols, pictures, models and description used in this catalogue are for reference only, and it is not implied that any part listed is the product of these manufacturers.
Tutti i nostri particolari non sono originali ma con essi intercambiabili. I riferimenti originali, le figure, i modelli sono esposti a semplice titolo indicativo. La nostra produzione riporta il nostro marchio.

Notes

Date

04/ 2011

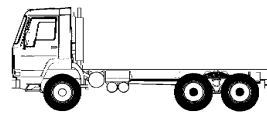
Table

0640

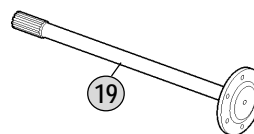
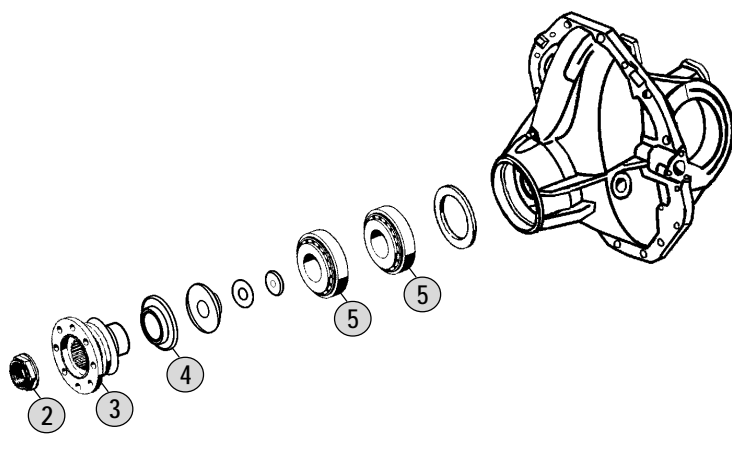
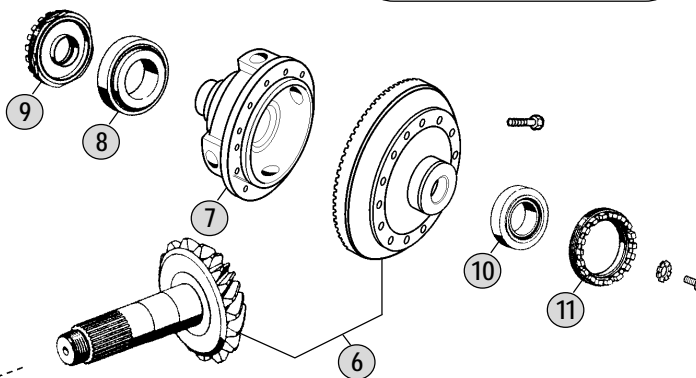
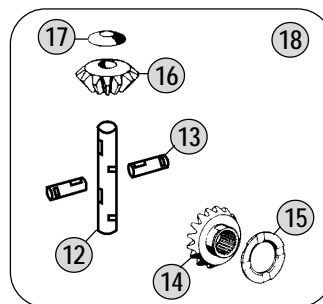
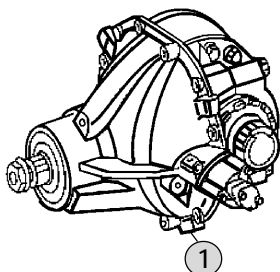
Adattabile a : **MERCEDES**

HL 2 / 30 / 31 / 43 / 44 / 46 / 47

Models
ATEGO
(CH 970.xxx)



HL 2



All original equipment manufacturers' numbers, symbols, pictures, models and description used in this catalogue are for reference only, and it is not implied that any part listed is the product of these manufactures. Tutti i nostri particolari non sono originali ma con essi intercambiabili. I riferimenti originali, le figure, i modelli sono esposti a semplice titolo indicativo. La nostra produzione riporta il nostro marchio.

Models

HL 2/30 - HL 2/31 - HL 2/43 - HL 2/44 - HL 2/46 - HL 2/47

742.503 - 504 - 505 - 506 - 509 - 510



Fig.	CEI no.	Rif. MB	Description	Q.ty	Note	HL 2/43 - 44				
1	280.751	QPM350000101	Central Gear 13x38 w/lock	1	100 Km/h	●				
1	280.752	QPM700000011	Central Gear 13x38 w/out lock	1	100 Km/h	●				
1	280.753	QPM350000097	Central Gear 13x41 w/lock	1	93 Km/h	●				
1	280.754	QPM700000006	Central Gear 13x41 w/out lock	1	93 Km/h	●				
1	280.755	QPM350000075	Central Gear 11x40 w/lock	1	80 Km/h	●				
1	280.756	QPM700000014	Central Gear 11x40 w/out lock	1	80 Km/h	●				
1	280.757	QPM350000095	Central Gear 11x43 w/lock	1	75 Km/h	●				
1	280.758	QPM700000012	Centra Gear 11x43 w/out lock	1	75 Km/h	●				
1	280.759	QPM700000013	Central Gear 10x43 w/out lock	1	68 Km/h	●				
1	280.760	QPM700000007	Central Gear 9x43 w/out lock	1	61 Km/h	●				
1	280.761	QPM350000099	Central Gear 8x41 w/lock	1	57 Km/h	●				
1	280.762	QPM700000005	Central Gear 8x41 w/out lock	1	57 Km/h	●				
1	280.763	QPM350000102	Central Gear 7x40 w/lock	1	51 Km/h	●				
1	280.764	QPM700000001	Central Gear 7x40 w/out lock	1	51 Km/h	●				
2	187.253	385 351 0172	Nut M40x1,5	1		●				
3	197.213	670 350 0045	Output Flange D.120 mm	1		●				
3	197.214	674 350 0245	Output Flange D.120 mm	1		●				
3	197.215	674 350 0145	Output Flange D.120 mm	1		●				
3	197.223	970 350 0045	Output Flange D.120 mm	1		●				
3	155.306	677 350 0045	Output Flange D.150 mm	1		●				
4	139.887	019 997 6047	Oil Seal	1		●				
5	130.908	014 981 7605	Bearing 60x125x36,5	2		●				
6	294.126	9703530112+0110	Crown & Pinion 13x38 R.=1:2,92	1	100 Km/h	●				
6	294.127	9703530212+0210	Crown & Pinion 13x41 R.=1:3,15	1	93 Km/h	●				
6	294.128	9703530312+0310	Crown & Pinion 11x40 R.=1:3,64	1	80 Km/h	●				
6	294.129	9703530412+0410	Crown & Pinion 11x43 R.=1:3,91	1	75 Km/h	●				
6	294.130	9703530512+0510	Crown & Pinion 10x43 R.=1:4,30	1	68 Km/h	●				
6	294.131	9703530812+0810	Crown & pinion 9x43 R.=1:4,78	1	61 Km/h	●				
6	294.132	9703530612+0610	Crown & Pinion 8x41 R.=1:5,12	1	57 Km/h	●				
6	294.133	9703530712+0710	Crown & Pinion 7x40 R.=1:5,71	1	51 Km/h	●				
7	199.305	970 353 0101	Differential Housing Assy	1		●				
8	130.900	017 981 8005	Bearing	1		●				
9	287.072	674 353 0025	Grooved Nut	1		●				
10	130.870	017 981 7905	Bearing 100x150x32	1		●				
11	287.066	970 353 0025	Grooved Nut	1		●				
12	133.237	970 353 0121	Spider Body	1		●				
13	107.243	970 353 0221	Pin	2		●				
14	122.131	675 353 0215	Side Gear 16 T-38 Splines	2		●				
15	269.386	676 353 0162	Thrust Washer	2		●				
16	182.096	675 353 0014	Side Pinion 9 T	4		●				
17	169.135	352 353 0024	Thrust Washer	4		●				
18	298.228	970 350 0240	Differential Kit	1		●				
19	170.317	970 357 0401	Drive Shaft	1		●				
19	170.314	970 357 0601	Drive Shaft	2		●				

Notes

Date

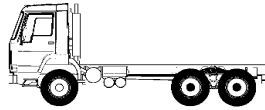
04 / 2011

Table

0650

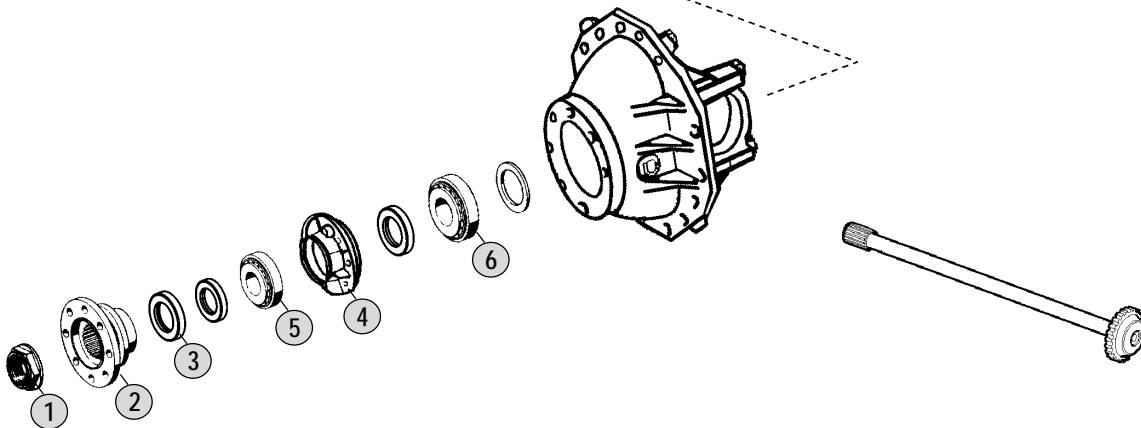
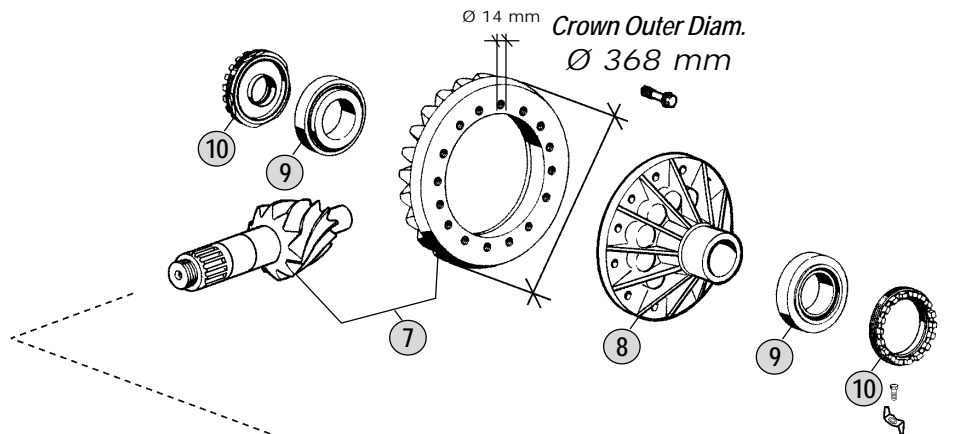
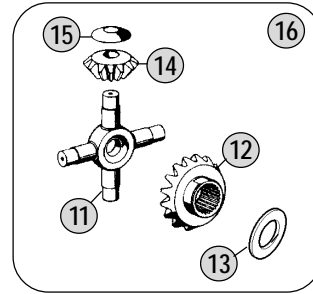
All original equipment manufacturers numbers, symbols, pictures, models and description used in this catalogue are for reference only, and it is not implied that any part listed is the product of these manufactures.
Tutti i nostri particolari non sono originali ma con essi intercambiabili. I riferimenti originali, le figure, i modelli sono esposti a semplice titolo indicativo. La nostra produzione riporta il nostro marchio.

Adattabile a : **MERCEDES**
 Suitable To :



Models
ATEGO
 (From 970.xxx To 974.xxx)

HL 4/40
 Axles with
 Ø 368 mm CWP



All original equipment manufacturers' numbers, symbols, pictures, models and description used in this catalogue are for reference only, and it is not implied that any part listed is the product of these manufactures.
 Tutti i nostri particolari non sono originali ma con essi intercambiabili. I riferimenti originali, le figure, i modelli sono esposti a semplice titolo indicativo. La nostra produzione riporta il nostro marchio.

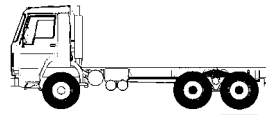
Models

HL 4 / 40

770.001/002/003

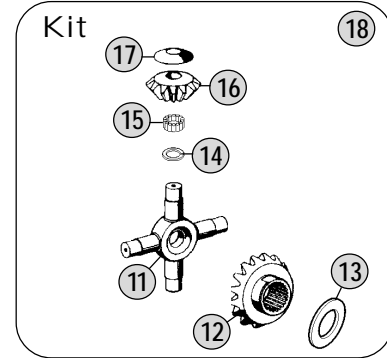


Adattabile a : **MERCEDES**
Suitable To :

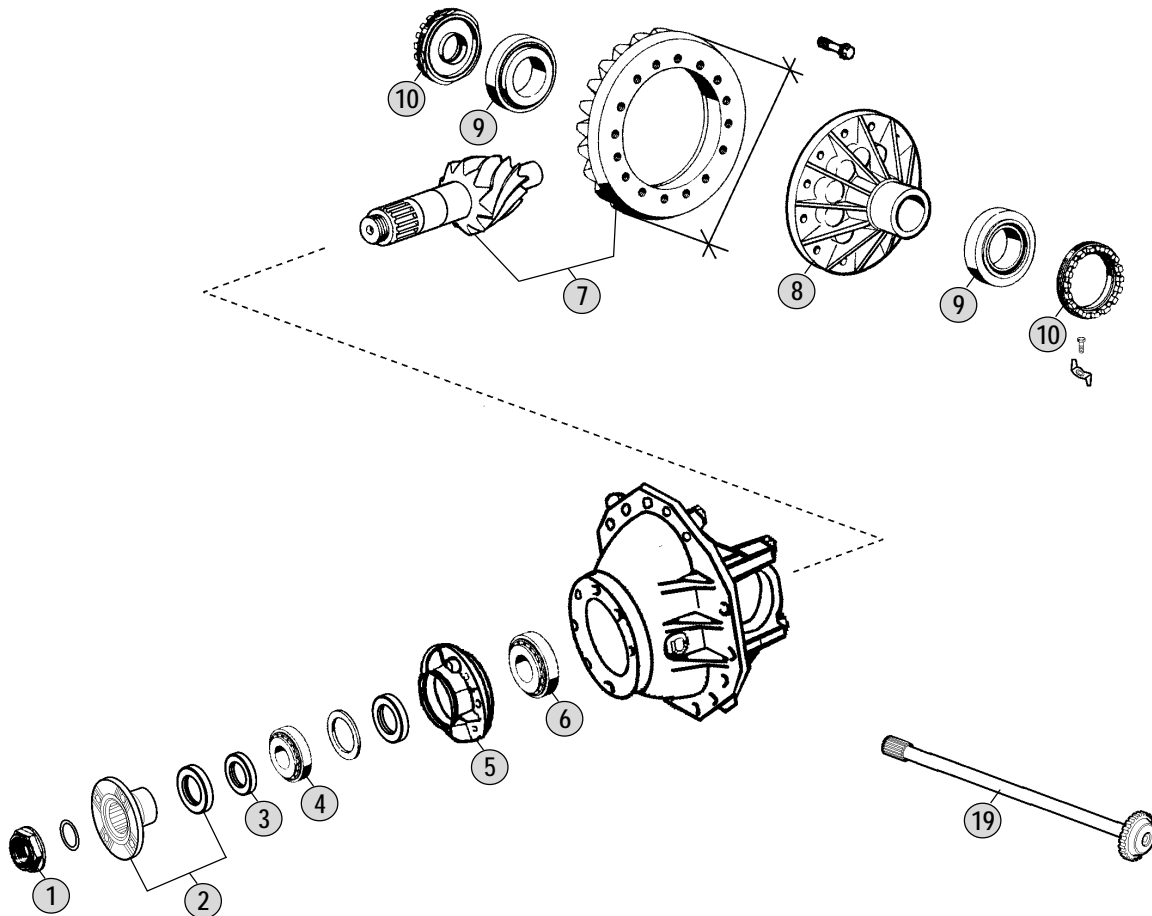


Models
ATEGO
(CH From **970.xxx** To **974.xxx**)

HL 4/40
Axles with
Ø 410 mm CWP



Crown Outer Diam.
Ø 410 mm



All original equipment manufacturers' numbers, symbols, pictures, models and description used in this catalogue are for reference only, and it is not implied that any part listed is the product of these manufactures.
Tutti i nostri particolari non sono originali ma con essi intercambiabili. I riferimenti originali, le figure, i modelli sono esposti a semplice titolo indicativo. La nostra produzione riporta il nostro marchio.

Models

HL 4 / 40

771.000/001/005/003



Fig.	CEI no.	Rif. MB	Description	Q.ty	Note	HL 4 / 40				
1	187.253	385 351 0172	Nut M40x1,5	1		●				
1	187.250	385 351 0672	Nut M45x1,5	1		●				
2	155.308	652 350 0045	Output Flange	1		●				
2	155.307	300 350 0445	Output Flange	1		●				
3	139.886	018 997 1847	Oil Seal	1		●				
4	130.324	002 981 4505	Bearing 65x140x36	1		●				
5	175.392	652 353 0207	Bearing Cage	1		●				
6	130.889	006 981 3505	Roller Bearing 65x165x40	1		●				
7	294.123	385 350 3539	Crown & Pinion 7x48 R.=1:6,86	1	(A) 45 m/h	●				
7	194.377	385 350 3639	Crown & Pinion 7x43 R.=1:6,14	1	(A) 50 Km/h	●				
7	294.111	385 350 4339	Crown & Pinion 7x41 R.=1:5,86	1	(A) 52 Km/h	●				
7	194.833	385 350 4139	Crown & Pinion 9x47 R.=1:5,22	1	(A) 59 Km/h	●				
7	194.834	652 350 0039	Crown & Pinion 8x38 R.=1:4,75	1	(A) 65 Km/h	●				
7	194.838	301 350 2239	Crown & Pinion 10x43 R.=1:4,30	1	(A) 71 Km/h	●				
7	294.125	652 350 0539	Crown & Pinion 12x47 R.=1:3,92	1	(A) 78 Km/h	●				
7	194.836	652 350 0339	Crown & Pinion 12x44 R.=1:3,66	1	(B) 84 Km/h	●				
7	194.835	652 350 0239	Crown & Pinion 12x40 R.=1:3,33	1	(B) 92 Km/h	●				
7	194.837	300 350 0139	Crown & Pinion 15x46 R.=1:3,06	1	(C) 100 Km/h	●				
8	199.314	652 350 0923	Differential Housing Assy	1	(A)	●				
8	199.315	652 350 1023	Differential Housing Assy	1	(B)	●				
8	199.316	652 350 0223	Differential Housing Assy	1	(C)	●				
8	199.317	652 350 1123	Differential Housing Assy	1	(C) With Lock	●				
9	130.883	006 981 0005	Roller Bearing 90x140x32	2		●				
10	287.057	615 353 0325	Grooved Nut	1		●				
10	287.089	615 353 0025	Grooved Nut	1		●				
11	133.098	615 353 0120	Differential Spider	1		●				
12	122.241	615 353 0315	Side Gear 16 T-38 Spl	2		●				
13	269.602	615 353 0462	Thrust Washer Th.1,00 mm	2		●				
14	115.015	615 353 0051	Spacer Ring	4		●				
15	171.036	615 981 0186	Needle D.2,50x28,65	160		●				
16	182.136	615 353 0314	Side Pinion 10 T	4		●				
17	169.693	615 353 0262	Thrust Washer T.30x67x2	4		●				
18	298.218	970 350 0040	Differential Gear Kit	1		●				
19	298.229	975 357 0601	Drive shaft	2		●				

Rear Axle
with CWP Ø 410Notes

(A - B - C) Respect the coupling as the assembling wheelbase between the CWP and the differential housing changes.

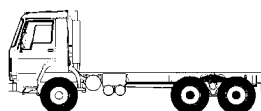
Date

04 / 2011

Table**0670**

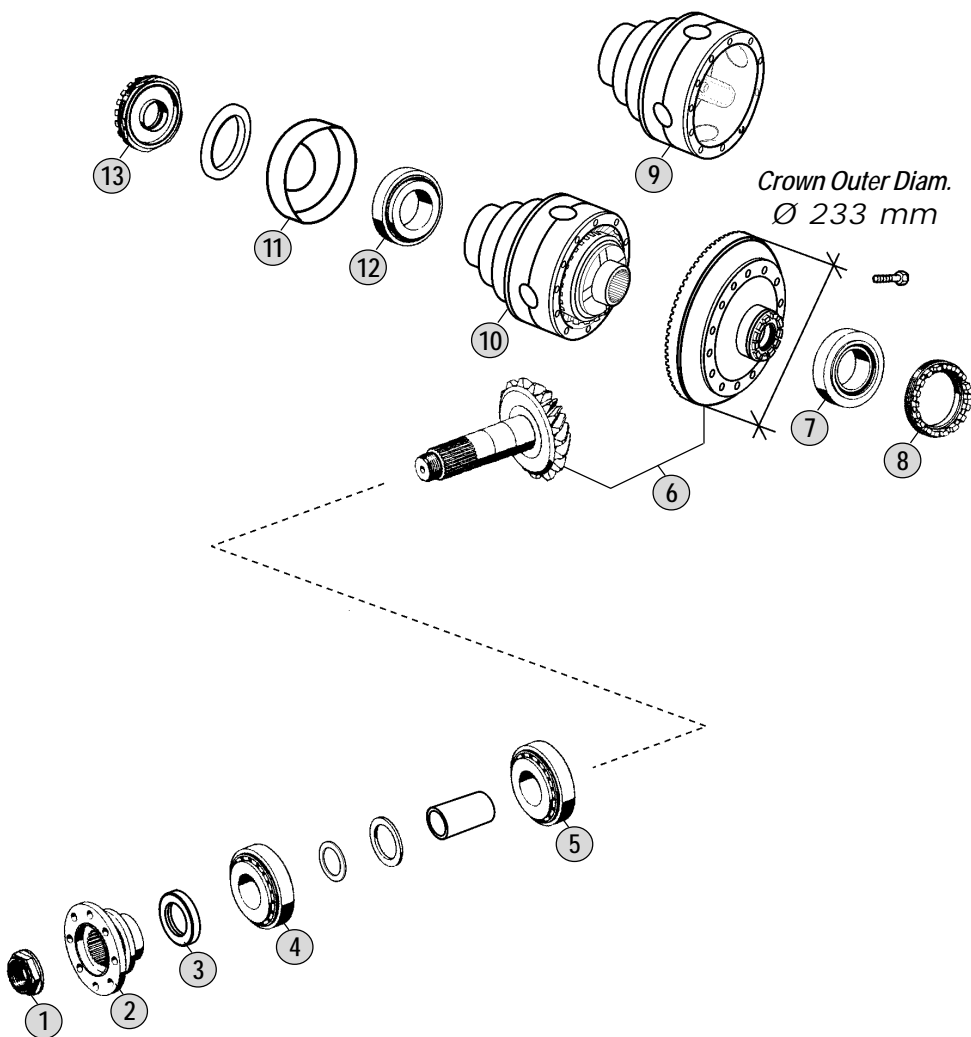
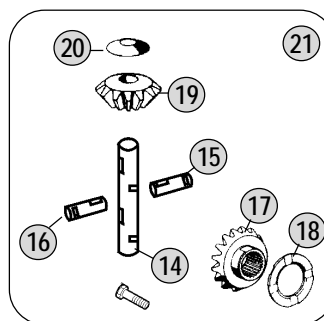
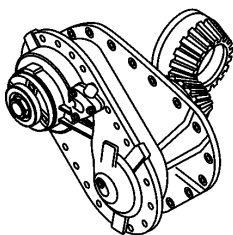
Adattabile a : **MERCEDES**
 Suitable To :

Ponte Posteriore / *Rear Axle*
HL 7/55 - HL 7/56



HL 4/40
 Axles with
 Ø 233 mm CWP

Models
ACTROS MP2
 (CH From 930.xxx To 934.xxx)



All original equipment manufacturers' numbers, symbols, and description used in this catalogue are for reference only, and it is not implied that any part listed is the product of these manufacturers. Tutti i nostri particolari non sono originali ma con essi intercambiabili. I riferimenti originali, le figure, i modelli sono esposti a semplice titolo indicativo. La nostra produzione riporta il nostro marchio.

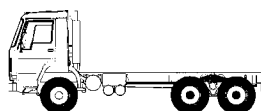
Models

HL 7/55 - HL 7/56
748.260/269/270/706



Adattabile a : **MERCEDES**

HL 7/50 - HL 7/55 - HL 7/56



HL 4/40

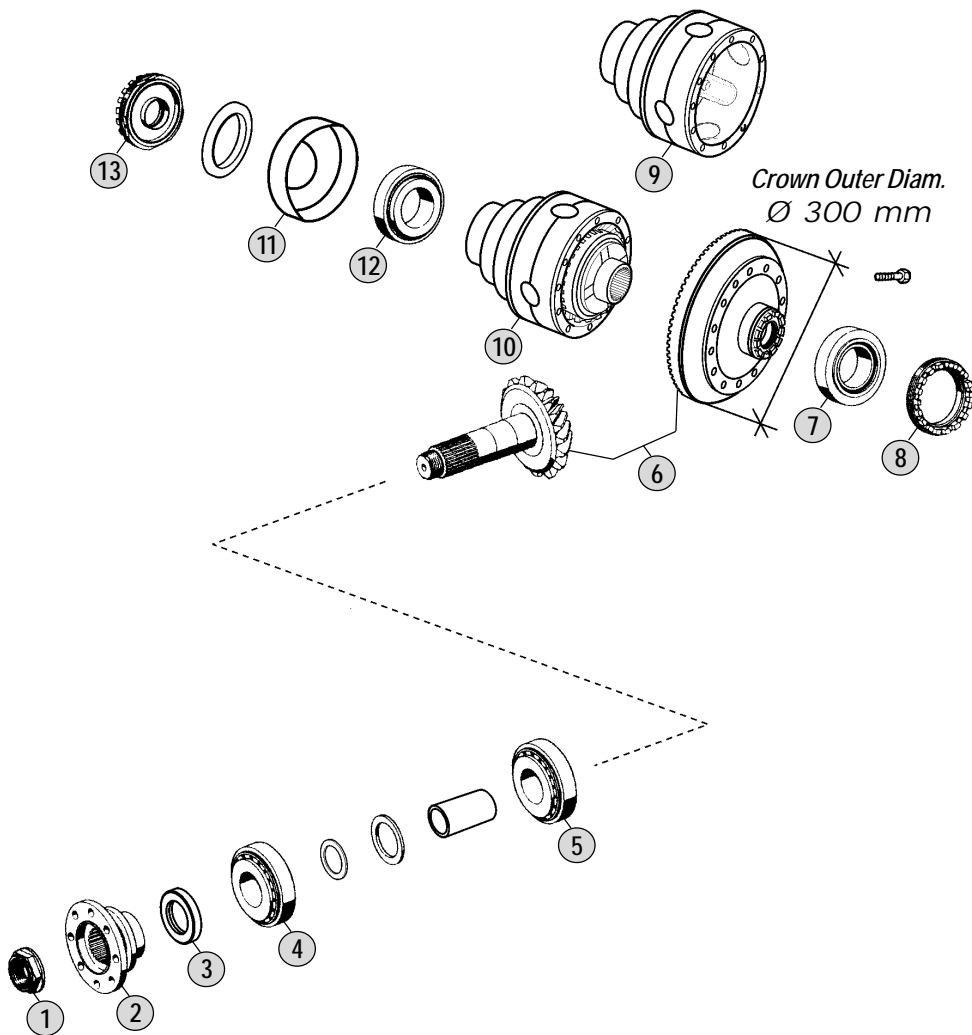
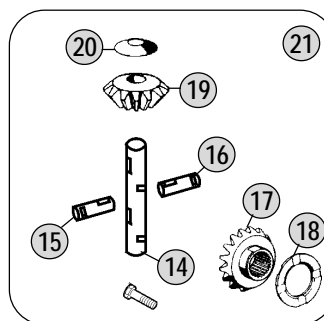
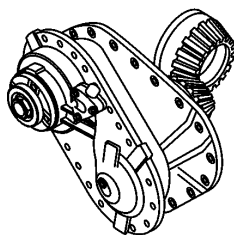
Axles with

Ø 300 mm CWP

Models

ACTROS MP2

(CH From 930.xxx To 934.xxx)



All original equipment manufacturers' numbers, symbols, pictures, models and description used in this catalogue are for reference only, and it is not implied that any part listed is the product of these manufactures. Tutti i nostri particolari non sono originali ma con essi intercambiabili. I riferimenti originali, le figure, i modelli sono esposti a semplice titolo indicativo. La nostra produzione riporta il nostro marchio.

Models

HL 7/50 - HL 7/55 - HL 7/56

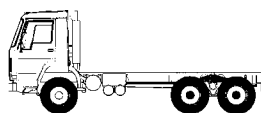
748.262/268/272/274/276/701/706/708



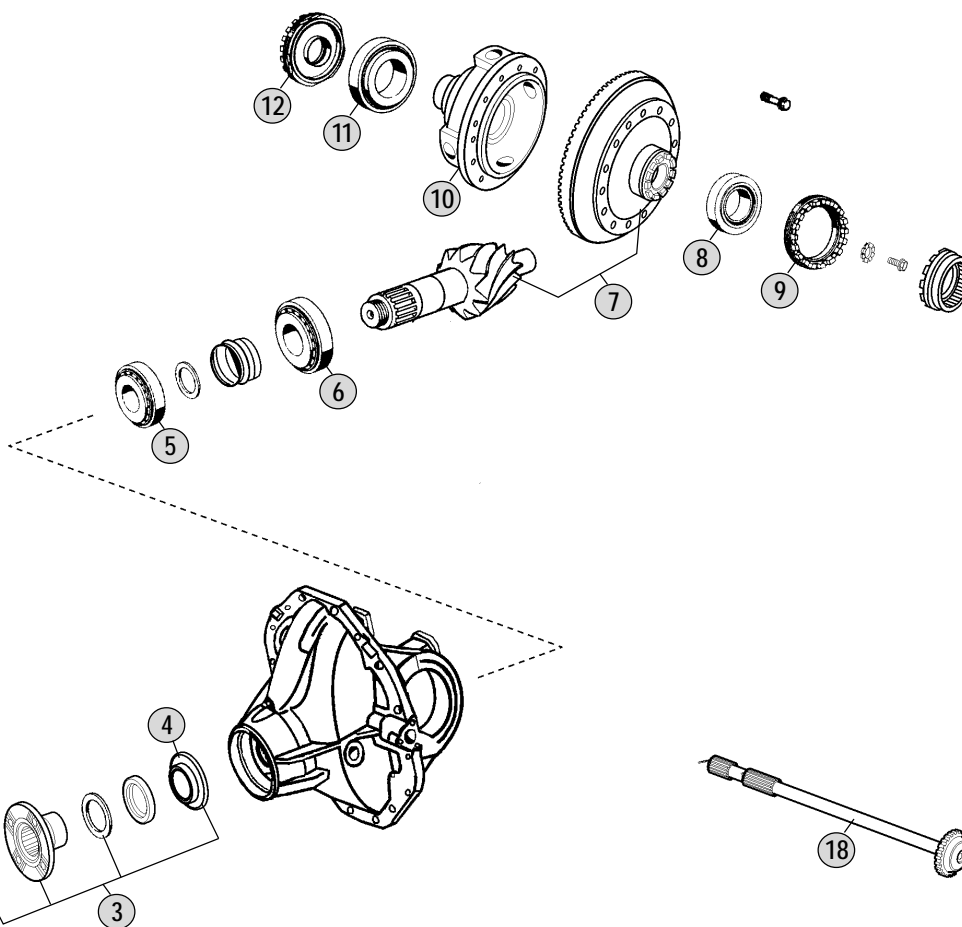
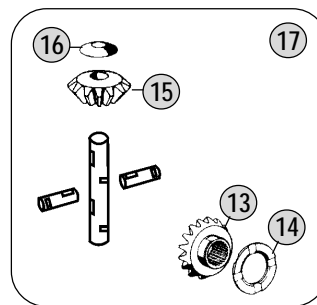
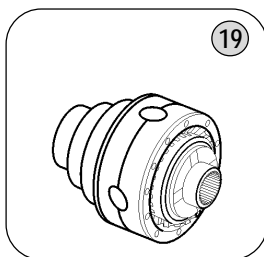
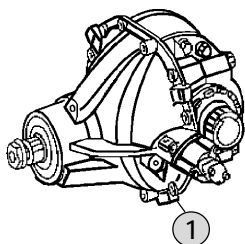
Adattabile a : **MERCEDES** HL 6/1/3 - HO 6/1/2/3/5/6
Suitable To :

Models

ACTROS MP2
(CH From 930.xxx To 934.xxx)



HL 6/1/3
HO 6/1/2/3/5/6



All original equipment manufacturers' numbers, symbols and description used in this catalogue are for reference only, and it is not implied that any part listed is the product of these manufactures. Tutti i nostri particolari non sono originali ma con essi intercambiabili. I riferimenti originali, le figure, i modelli sono esposti a semplice titolo indicativo. La nostra produzione riporta il nostro marchio.

Models

HL 6/1 - HL 6/3 - HO 6/1 - HO 6/2 - HO 6/3 - HO 6/5 - HO 6/6

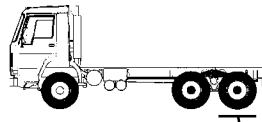
746.210/211/212/213/216/217/218/221



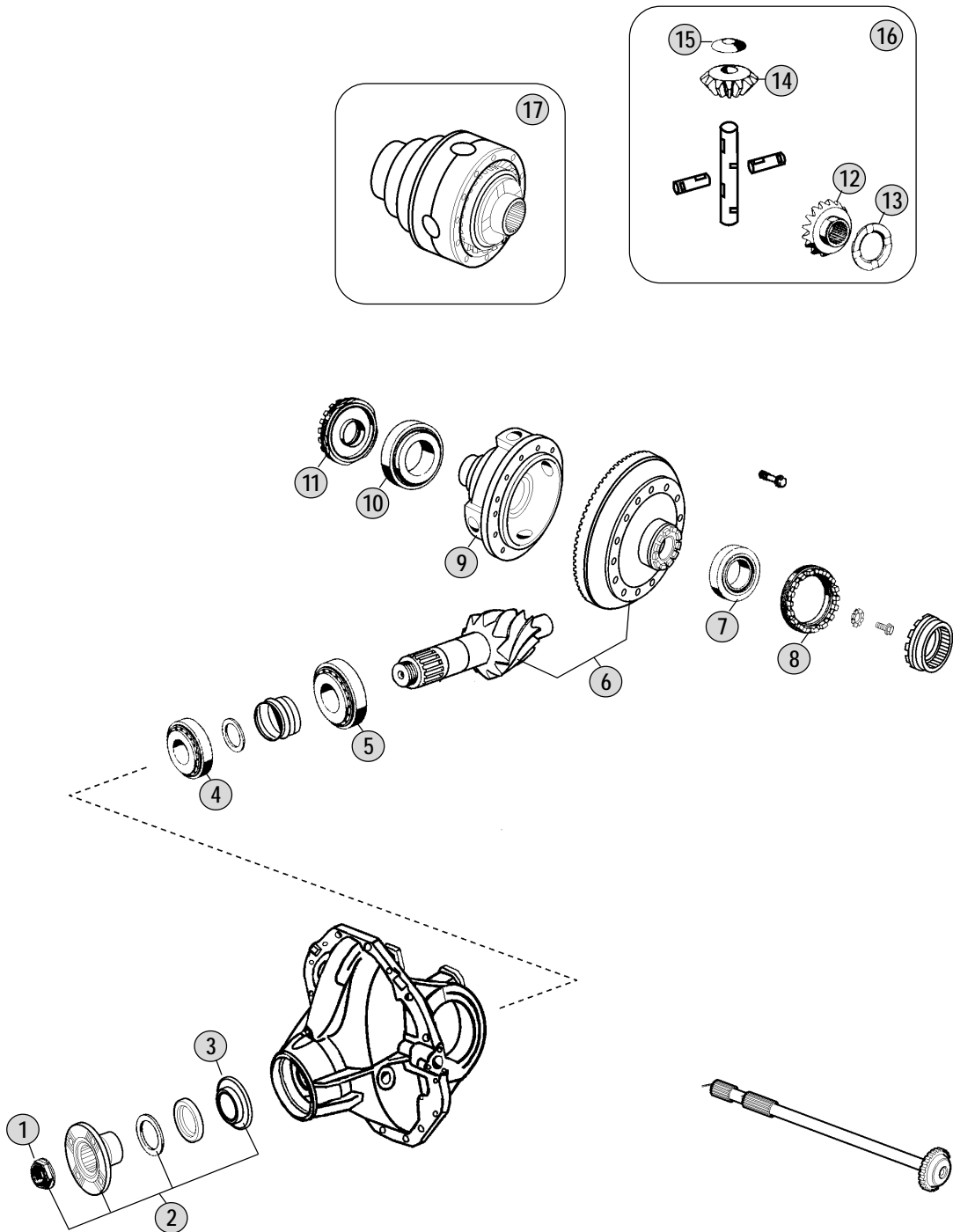
Adattabile a : **MERCEDES**
Suitable To :

Ponte Posteriore / *Rear Axle*
HL 8/1 - HO 8/1

Models
ACTROS
(CH From **930.xxx** To **934.xxx**)



HL 8/1 - HO 8/1

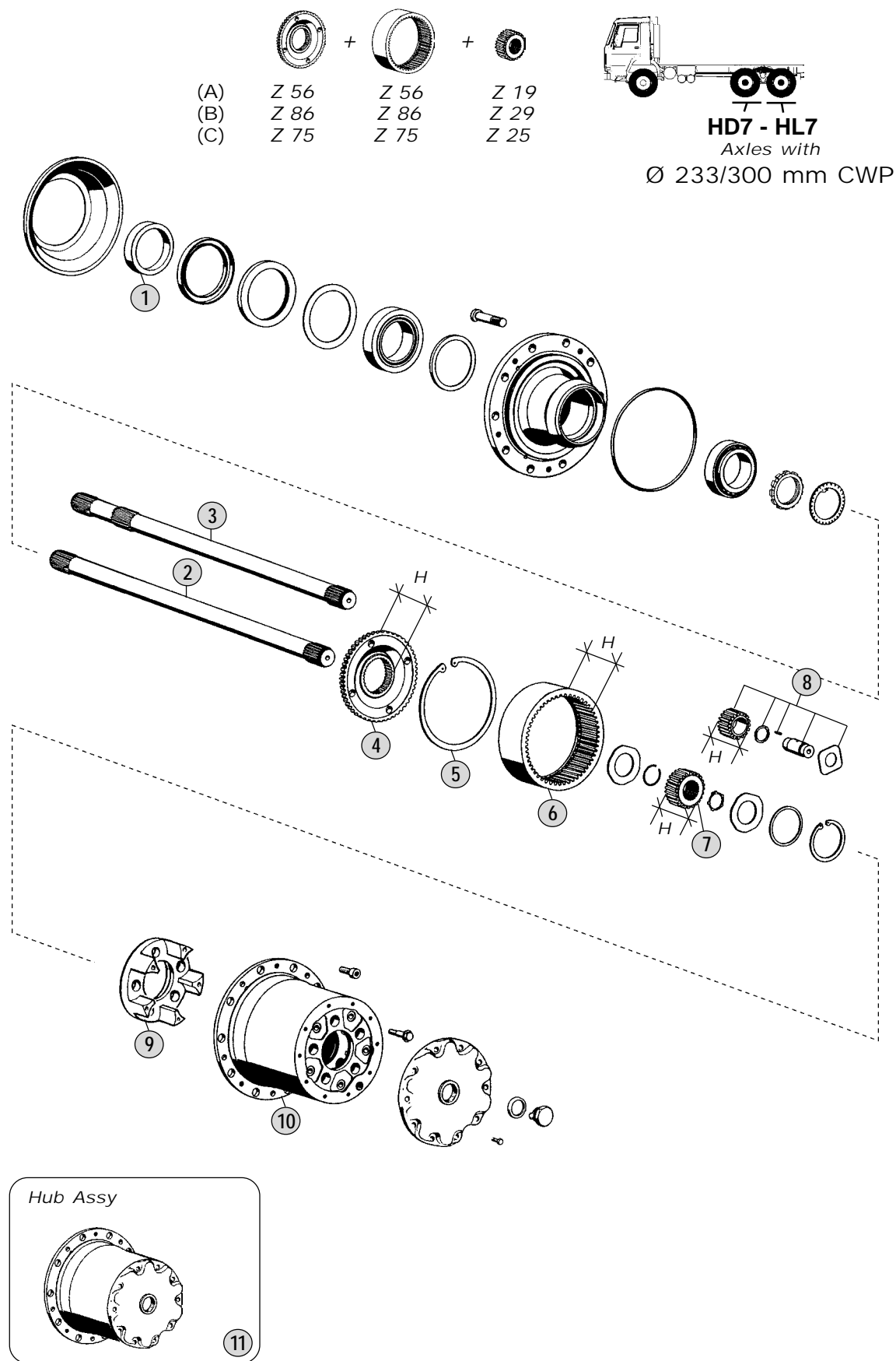


All original equipment manufacturers' numbers, symbols, and description used in this catalogue are for reference only, and it is not implied that any part listed is the product of these manufactures. Tutti i nostri particolari non sono originali ma con essi intercambiabili. I riferimenti originali, le figure, i modelli sono esposti a semplice titolo indicativo. La nostra produzione riporta il nostro marchio.

Models

HL 8/1 - HO 8/1
748.590 - 748.591



Adattabile a : **MERCEDES**Hubs for Intermediate And Rear Axle
HD7-9 / H7-9 13120 - 16120**Models**

HD7 - HD4 (Intermediate) - HL7 - HO7 (Rear)

From 740.000 To 740.079 - From 748.990 To 740.999 - From 740.500 To 740.550

745.700/702/730/732/736/738/739/741/893/895/897/898 - 748.261/263/271/273/275 (Int.)

From 740.100 To 740.399 - From 740.950 To 740.999 - From 748.400 To 748.526 (Rear)

Fig.	CEI no.	Rif. MB	Description	Q.ty	Note	HDT - Hr-9				
1	169.523	355 356 1215	Thrust Ring	1		●				
1	139.198	346 356 1415	Thrust Ring	1		●				
2	170.127	355 357 0701	Drive Shaft W/out lock L=1090 mm	1	(A) 34 Spl	●				
2	170.130	659 357 1001	Drive Shaft W/out lock L=1103 mm	1	(BC) 34 Spl	●				
2	170.140	658 357 0801	Drive Shaft W/out lock L=1108 mm	1	(BC) 40 Spl	●				
3	170.129	355 357 1001	Drive shaft W/lock L=1060 mm	1	(A) 34 Spl	●				
3	170.128	355 357 0801	Drive shaft W/lock L=1090 mm	1	(A) 34 Spl	●				
3	170.316	658 357 1501	Drive shaft W/lock L=1108 mm	1	(A) 40 Spl	●				
3	170.141	658 357 0901	Drive Shaft W/lock L=1108 mm	1	(A) 41 Spl	●				
3	170.131	659 357 1101	Drive Shaft W/lock L=1103 mm	1	(BC) 34 Spl	●				
4	150.148	355 354 0709	Carrier Hub 56 T	1	(A) Old Type (H=40 mm)	●				
4	150.125	355 354 1809	Carrier Hub 56 T	1	(A) (H=40 mm)	●				
4	150.096	346 354 1009	Carrier Hub 56 T	1	(A) Old Type (H=66 mm)	●				
4	150.149	355 354 1909	Carrier Hub 56 T	1	(A) (H=66 mm)	●				
4	150.150	355 354 2509	Carrier Hub 86 T	1	(B) (H=40 mm)	●				
4	150.151	355 354 2409	Carrier Hub 86 T	1	(B) (H=66 mm)	●				
4	150.238	355 354 2809	Carrier Hub 75 T	1	(C) (H=40 mm)	●				
4	150.239	355 354 2709	Carrier Hub 75 T	1	(C) (H=66 mm)	●				
5	169.830	000472 240000	Snap Ring 240x5,0 mm	1	Old Type	●				
5	169.831	346 994 0439	Snap ring	1		●				
6	123.235	355 354 0312	Crown Gear 56 T	1	(A) Old Type (H=79 mm)	●				
6	123.236	355 354 1212	Crown Gear 56 T	1	(A) (H=71,5 mm)	●				
6	123.149	346 354 0512	Crown Gear 56 T	1	(A) Old Type (H=89 mm)	●				
6	123.191	355 354 1312	Crown Gear 56 T	1	(A) (H=81,5 mm)	●				
6	123.299	346 354 3712	Crown Gear 56 T	1	(A) (H=91,5 mm)	●				
6	123.238	355 354 2712	Crown Gear 86 T	1	(B) (H=91,5 mm)	●				
6	123.301	355 354 3012	Crown Gear 75 T	1	(C) (H=91,5 mm)	●				
6	123.319	355 354 3212	Crown Gear 75 T	1	(C) Latest Type	●				
7	157.647	355 354 0317	Sun Gear 19 T/34 Spl	1	(A) (H=35 mm)	●				
7	157.087	346 354 0517	Sun Gear 19 T/40 Spl	1	(A) (H=45 mm)	●				
7	157.728	346 354 4117	Sun Gear 19 T/41 Spl	1	(A) (H=55 mm)	●				
7	157.648	305 354 0317	Sun Gear 19 T-34 Spl	1	(A) Bus Version	●				
7	157.649	355 354 2117	Sun Gear 29 T/34 Spl	1	(B) (H=55 mm)	●				
7	157.654	346 354 1917	Sun Gear 29 T/40 Spl	1	(B) (H=55 mm)	●				
7	157.730	355 354 2717	Sun Gear 25 T/34 Spl	1	(C) (H=55 mm)	●				
7	157.725	346 354 2517	Sun Gear 25 T/40 Spl	1	(C) (H=55 mm)	●				
7	157.733	355 354 3617	Sun Gear 25 T-34 Spl	1	(C) Latest Type	●				
8	198.700	355 350 0354	Differential Gear Kit 18 T	1	(A) (H=34 mm)	●				
8	198.652	346 350 0554	Differential Gear Kit 18 T	1	(A) (H=44 mm)	●				
8	298.076	656 350 0054	Differential Gear Kit	1	(A) (H=54 mm)	●				
8	198.917	305 350 0454	Differential Gear Kit 18 T	1	(A) Bus Version	●				
8	198.921	651 350 0054	Differential Gear Kit 28 T	1	(B) (H=54 mm)	●				
8	298.161	355 350 0454	Differential Gear Kit 28 T	1	(C) (H=51 mm)	●				
8	298.252	652 350 0254	Differential Gear Kit	1	(C) Latest Type	●				
9	135.116	CEI 135116	Flange	1	(A)	●				

Notes

(A - B - C) To be coupled together

Date

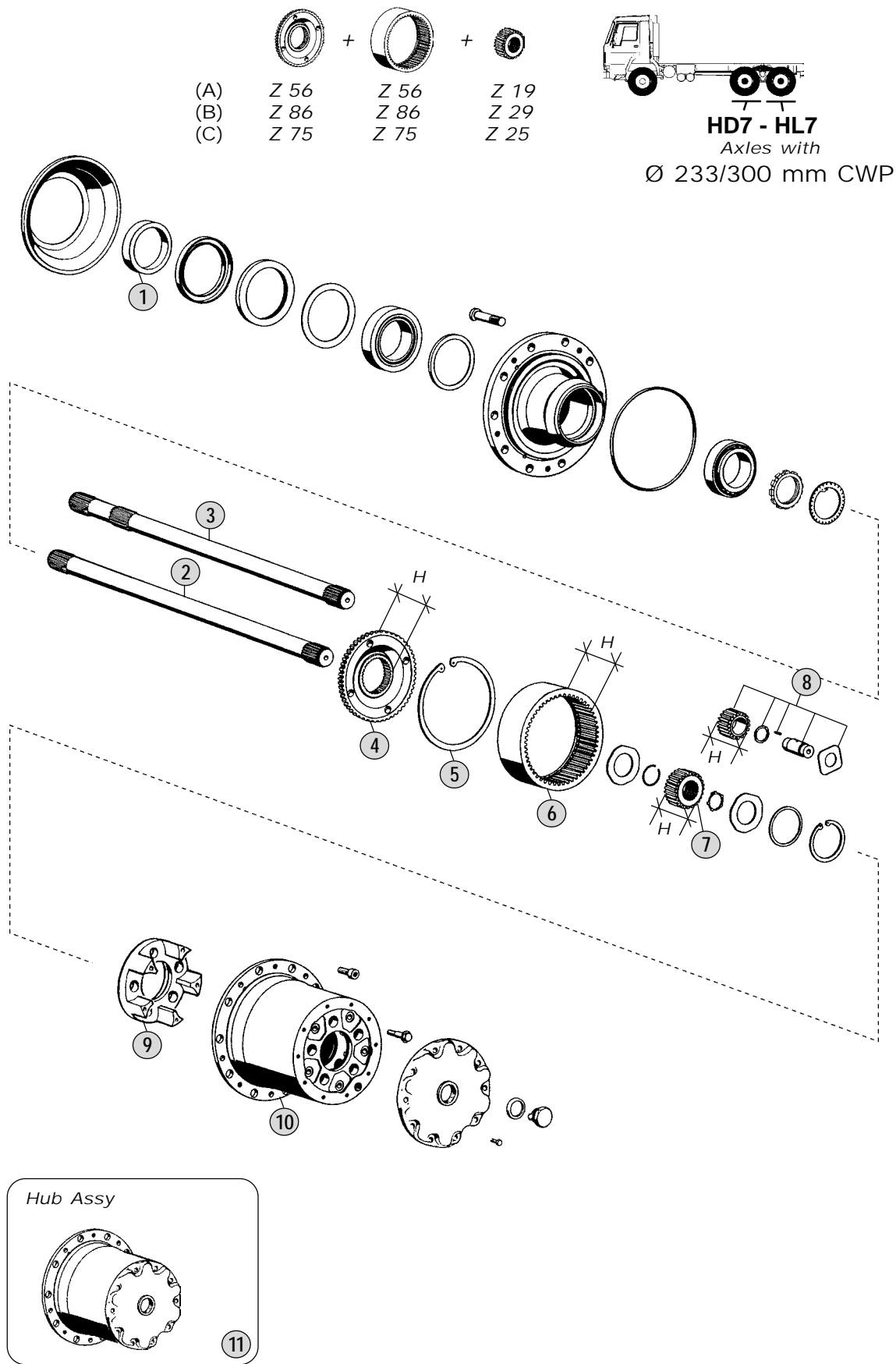
04 / 2011

Table

0720

Adattabile a : **MERCEDES**
 Suitable To :

Hubs for Intermediate And Rear Axle
HD7-9 / H7-9 13120 - 16120



All original equipment manufacturers' numbers, symbols, pictures, models and description used in this catalogue are for reference only, and it is not implied that any part listed is the product of these manufacturers. Tutti i nostri particolari non sono originali ma con essi intercambiabili. I riferimenti originali, le figure, i modelli sono esposti a semplice titolo indicativo. La nostra produzione riporta il nostro marchio.

Models

HD7 - HD4 (Intermediate) - HL7 - HO7 (Rear)

From 740.000 To 740.079 - From 748.990 To 740.999 - From 740.500 To 740.550
 745.700/702/730/732/736/738/739/741/893/895/897/898 - 748.261/263/271/273/275 (Int.)
 From 740.100 To 740.399 - From 740.950 To 740.999 - From 748.400 To 748.526 (Rear)

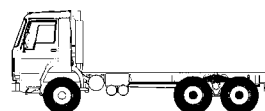


Adattabile a : **MERCEDES**
 Suitable To :

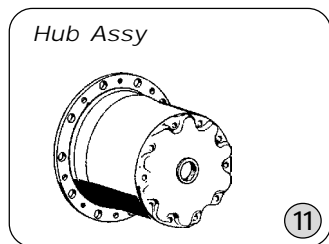
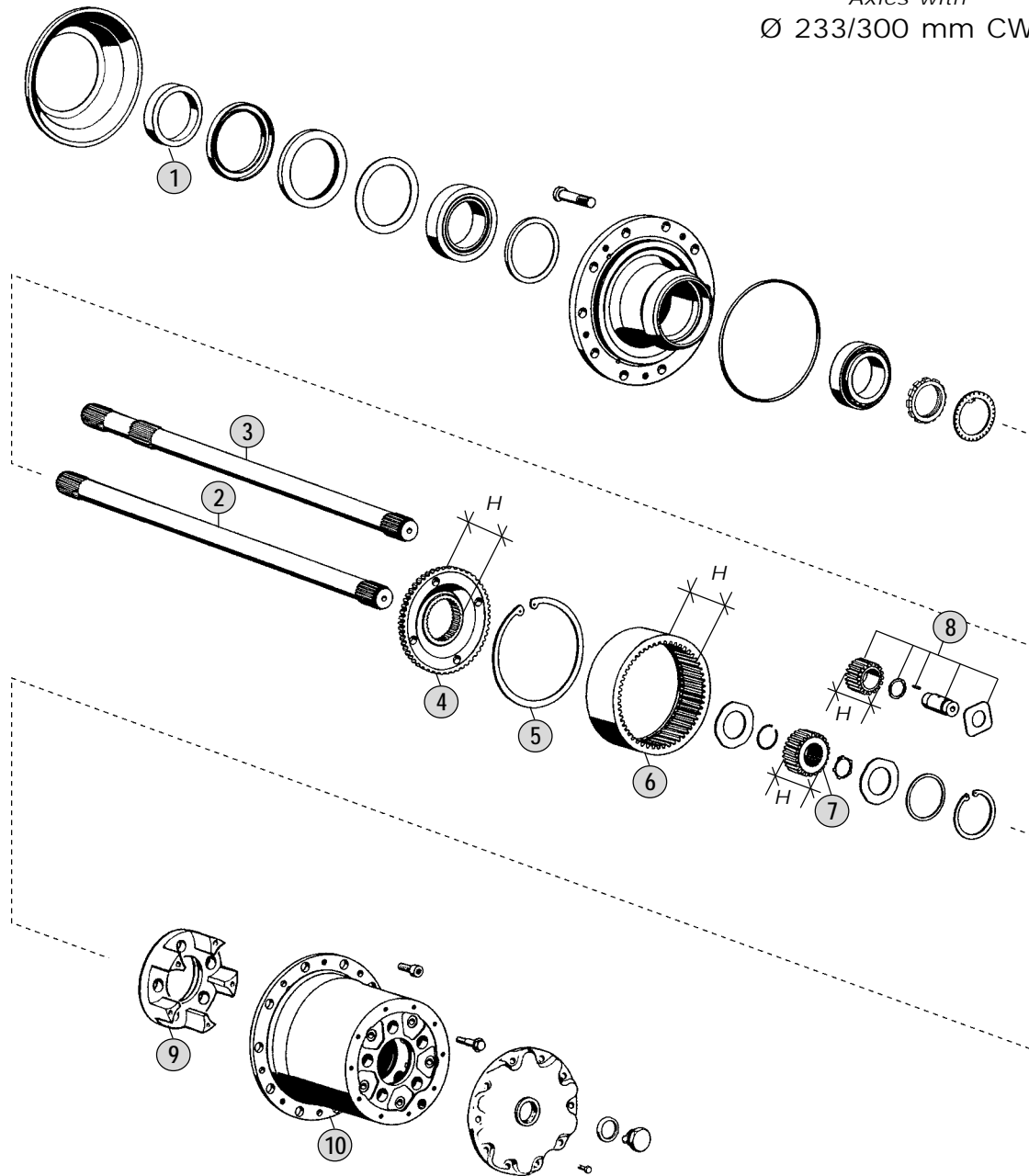
Hubs for Intermediate And Rear Axle
HD7-9 / H7-9 13120 - 16120



- | | | | |
|-----|------|------|------|
| (A) | Z 57 | Z 57 | Z 23 |
| (B) | Z 89 | Z 89 | Z 36 |
| (C) | Z 85 | Z 85 | Z 35 |



HD7 - HL7
 Axles with
 Ø 233/300 mm CWP



All original equipment manufacturers' numbers, symbols, pictures, models and description used in this catalogue are for reference only, and it is not implied that any part listed is the product of these manufacturers. Tutti i nostri particolari non sono originali ma con essi intercambiabili. I riferimenti originali, le figure, i modelli sono esposti a semplice titolo indicativo. La nostra produzione riporta il nostro marchio.

Models

HD7 - HD4 (Intermediate) - HL7 - HO7 (Rear)

From 740.000 To 740.079 - From 748.990 To 740.999 - From 740.500 To 740.550

745.700/702/730/732/736/738/739/741/893/895/897/898 - 748.261/263/271/273/275 (Int.)

From 740.100 To 740.399 - From 740.950 To 740.999 - From 748.400 To 748.526 (Rear)



Fig.	CEI no.	Rif. MB	Description	Q.ty	Note	HD7 - Hr9				
1	169.523	355 356 1215	Thrust Ring	1		●				
1	139.198	346 356 1415	Thrust Ring	1		●				
2	170.127	355 357 0701	Drive Shaft W/out lock L=1090 mm	1	(A) 34 Spl	●				
2	170.132	658 357 0601	Drive Shaft W/out lock	1	(A) 34 Spl	●				
2	170.130	659 357 1001	Drive Shaft W/out lock L=1103 mm	1	(BC) 34 Spl	●				
2	170.140	658 357 0801	Drive Shaft W/out lock L=1108 mm	1	(BC) 40 Spl	●				
3	170.028	346 357 1801	Drive Shaft W/lock L=1098 mm	0	(A) 34 Spl	●				
3	170.141	658 357 0901	Drive Shaft W/lock L=1108 mm	1	(BC) 40 Spl	●				
4	150.095	346 354 0909	Carrier Hub 57 T	1	(A) Old Type (H=40 mm)	●				
4	150.130	346 354 3109	Carrier Hub 57 T	1	(A) (H=40 mm)	●				
4	150.043	346 354 1109	Carrier Hub 57 T	1	(A) Old Type (H=66 mm)	●				
4	150.129	346 354 3009	Carrier Hub 57 T	1	(A) (H=66 mm)	●				
4	150.153	346 354 4309	Carrier Hub 89 T	1	(B) (H=40 mm)	●				
4	150.154	346 354 4209	Carrier Hub 89 T	1	(B) (H=66 mm)	●				
4	150.231	346 354 5809	Carrier Hub 85 T	1	(C) (H=40 mm)	●				
4	150.230	346 354 5709	Carrier Hub 85 T	1	(C) (H=66 mm)	●				
5	169.832	000472 230000	Snap ring	1	Old Type	●				
5	169.831	346 994 0439	Snap ring	1		●				
6	123.241	355 354 0412	Crown Gear 57 T	1	(A) Old Type (H=79 mm)	●				
6	123.239	355 354 1512	Crown Gear 57 T	1	(A) (H=71,5 mm)	●				
6	123.132	346 354 0412	Crown Gear 57 T	1	(A) Old Type (H=89 mm)	●				
6	123.205	346 354 1412	Crown Gear 57 T	1	(A) (H=81,50 mm)	●				
6	123.240	346 354 2612	Crown Gear 89 T	1	(B) (H=91,50 mm)	●				
6	123.303	346 354 4312	Crown Gear 85 T	1	(C) (H=91,50 mm)	●				
6	123.300	346 354 4412	Crown Gear 85 T	1	(C) Latest Version	●				
7	157.650	355 354 0417	Sun Gear 23 T/34 Spl	1	(A) (H=35 mm)	●				
7	157.050	346 354 0417	Sun Gear 23 T/40 Spl	1	(A) (H=45 mm)	●				
7	157.651	305 354 0217	Sun Gear 23 T-34 Spl	1	(A) Bus Version	●				
7	157.652	355 354 1817	Sun Gear 36 T/34 Spl	1	(B) (H=55/45 mm)	●				
7	157.655	346 354 1717	Sun Gear 36 T/40 Spl	1	(B) (H=55 mm)	●				
7	157.729	355 354 2517	Sun Gear 35 T/34 Spl	1	(C) (H=55 mm)	●				
7	157.724	346 354 2417	Sun Gear 35 T/40 Spl.	1	(C) (H=55 mm)	●				
7	157.732	355 354 3517	Sun Gear 35 T-34 Spl	1	(C) Latest Version	●				
8	198.925	355 350 0254	Planetary Gear Set 17 T	1	(A) (H=34 mm)	●				
8	198.450	346 350 0654	Planetary Gear Set 17 T	1	(A) (H=44 mm)	●				
8	198.926	305 350 0354	Planetary Gear Set 17 T	1	(A) Bus Version	●				
8	198.930	653 350 0054	Planetary Gear Set 26 T	1	(B) (H=54 mm)	●				
8	298.164	652 350 0054	Planetary Gear Set 24 T	1	(C) (H=54 mm)	●				
8	298.165	653 350 0254	Planetary Gear Set 25 T	1	(C) Latest Version	●				
9	135.116	CEI 135116	Flange	1	(A)	●				
9	135.211	346 350 7533A	Flange	1	(BC)	●				
9	135.212	346 350 9133A	Flange	1	(C) Latest Version	●				
10	198.581	346 350 1533	Hub Empty	1	(A)	●				
10	198.938	346 350 3033	Hub Empty	1	(A)	●				
10	198.935	355 350 3433	Hub Empty	1	(A)	●				

Notes

(A - B - C) To be coupled together

Date

04 / 2011

Table

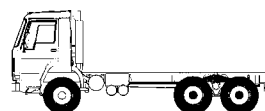
0730

Adattabile a : **MERCEDES**
 Suitable To :

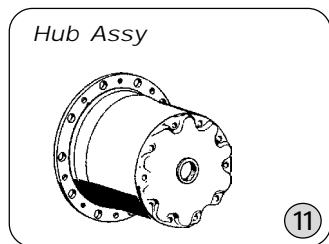
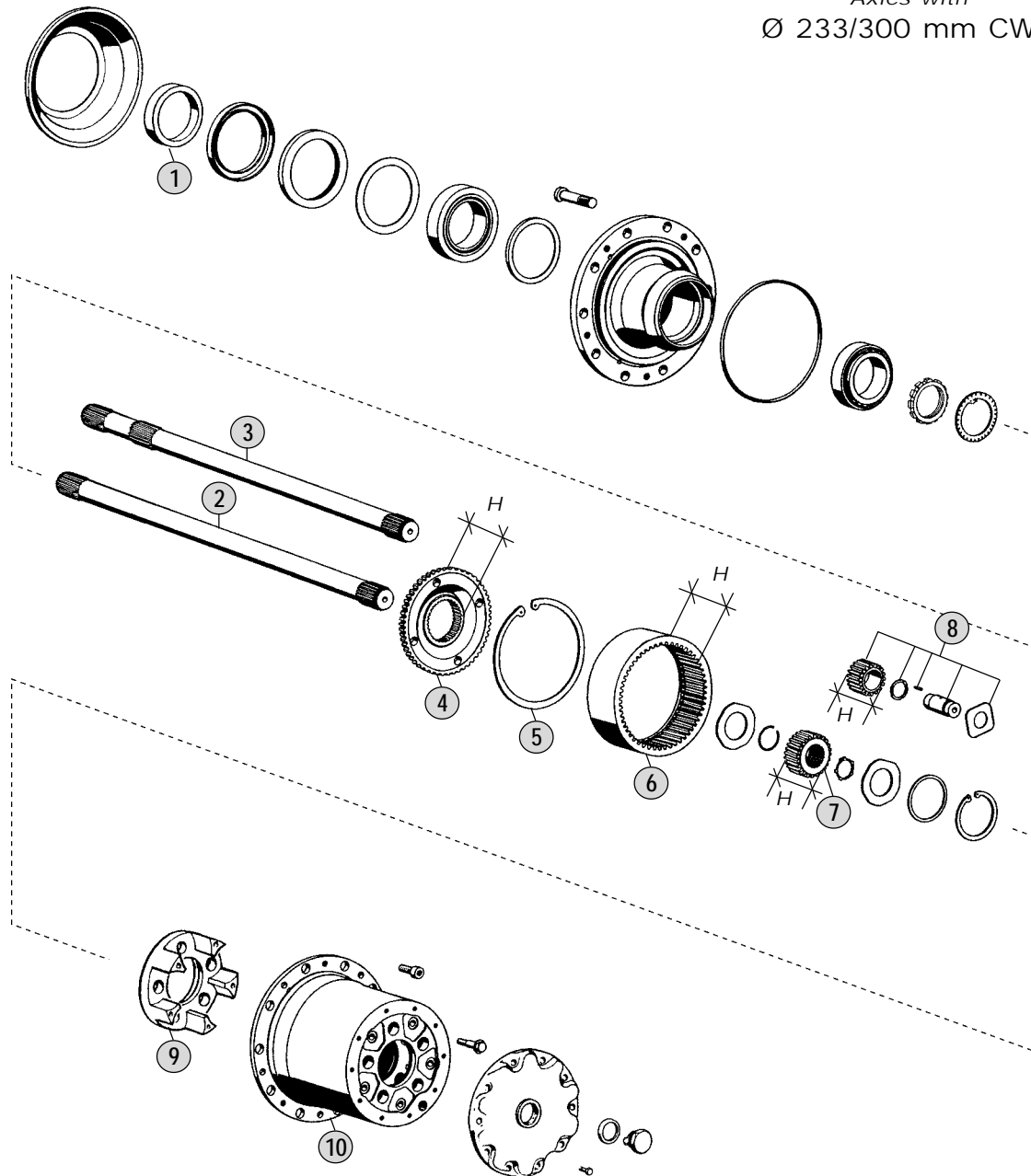
Hubs for Intermediate And Rear Axle
HD7-9 / H7-9 13120 - 16120



- | | | | |
|-----|------|------|------|
| (A) | Z 57 | Z 57 | Z 23 |
| (B) | Z 89 | Z 89 | Z 36 |
| (C) | Z 85 | Z 85 | Z 35 |



HD7 - HL7
 Axles with
 Ø 233/300 mm CWP



All original equipment manufacturers' numbers, symbols, pictures, models and description used in this catalogue are for reference only, and it is not implied that any part listed is the product of these manufacturers. Tutti i nostri particolari non sono originali ma con essi intercambiabili. I riferimenti originali, le figure, i modelli sono esposti a semplice titolo indicativo. La nostra produzione riporta il nostro marchio.

Models

HD7 - HD4 (Intermediate) - HL7 - HO7 (Rear)

From 740.000 To 740.079 - From 748.990 To 740.999 - From 740.500 To 740.550

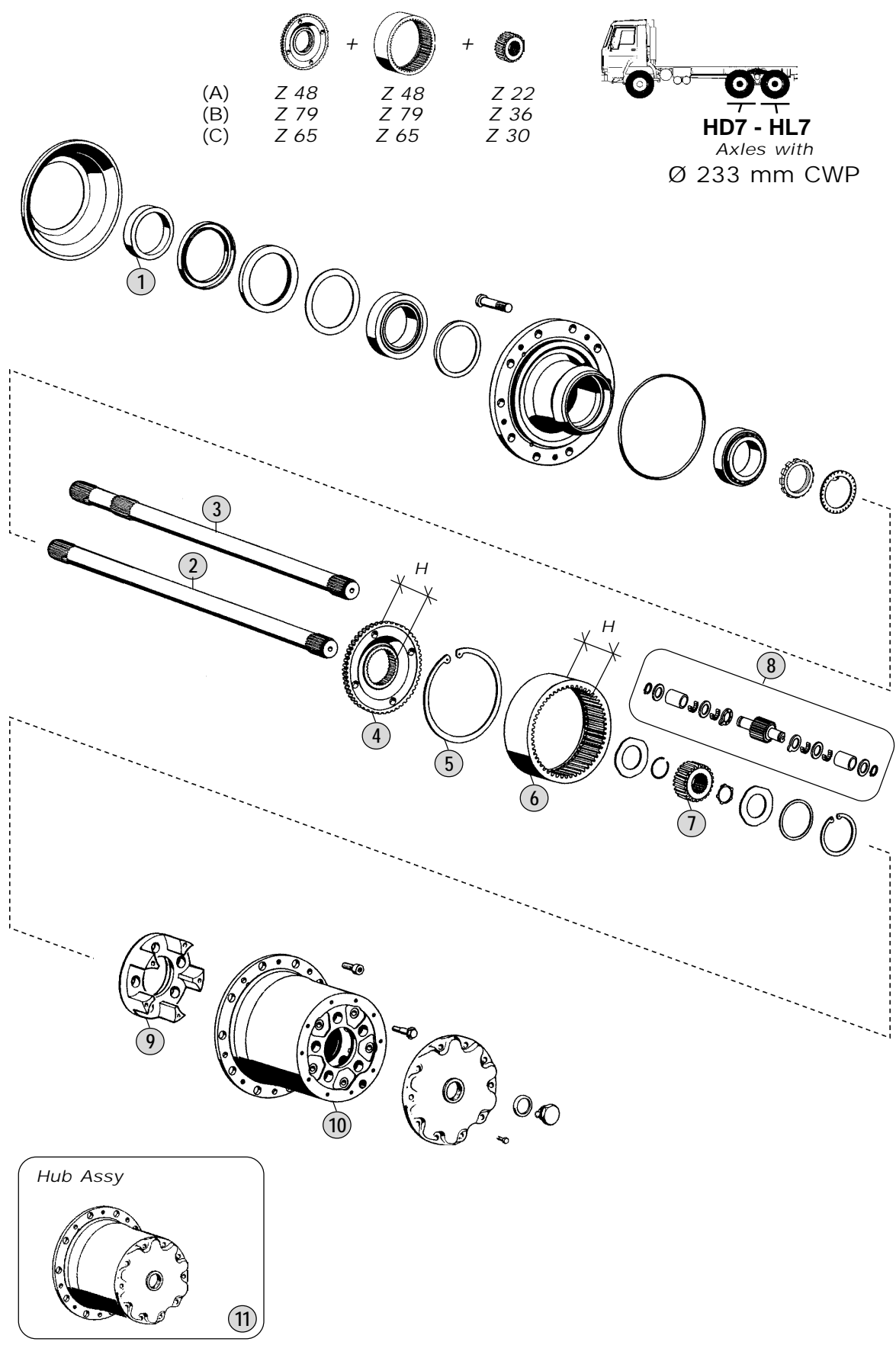
745.700/702/730/732/736/738/739/741/893/895/897/898 - 748.261/263/271/273/275 (Int.)

From 740.100 To 740.399 - From 740.950 To 740.999 - From 748.400 To 748.526 (Rear)



Adattabile a : **MERCEDES**

HD7-9 / H7-9 13120 - 16120



All original equipment manufacturers' numbers, symbols, models and description used in this catalogue are for reference only, and it is not implied that any part listed is the product of these manufacturers. Tutti i nostri particolari non sono originali ma con essi intercambiabili. I riferimenti originali, le figure, i modelli sono esposti a semplice titolo indicativo. La nostra produzione riporta il nostro marchio.

Models

HD7 - HD4 (Intermediate) - HL7 - HO7 (Rear)

From 740.000 To 740.079 - From 748.990 To 740.999 - From 740.500 To 740.550

745.700/702/730/732/736/738/739/741/893/895/897/898 - 748.261/263/271/273/275 (Int.)

From 740.100 To 740.399 - From 740.950 To 740.999 - From 748.400 To 748.526 (Rear)



MERCEDES Index

MB no.	CEI no.	Tab.	Fig.	MB no.	CEI no.	Tab.	Fig.	MB no.	CEI no.	Tab.	Fig.
395 011 4220	182.117	00680	19	947 260 3036	298.054	00325	13	947 260 0545	119.271	00260	11
356 173 0043	122.166	00500	20	947 260 3036	298.054	00335	13	947 260 0545	119.271	00270	5
356 173 0055	122.160	00520	20	947 260 3036	298.054	00355	13	947 260 0545	119.271	00280	11
930 260 0605	103.250	00360	24	947 260 3036	298.054	00365	13	947 260 0545	119.271	00290	9
930 260 0605	103.250	00380	24	947 260 3036	298.054	00375	13	947 260 0545	119.271	00300	10
389 260 8908	244.020	00260	18	947 260 3036	298.054	00385	13	947 260 0545	119.271	00300	22
970 260 0914	<i>See 970 260 2344</i>			947 260 3036	298.054	00395	13	947 260 0545	119.271	00310	5
947 260 0117	197.203	00315	12	947 260 3036	298.054	00405	13	947 260 0545	119.271	00320	11
389 260 4919	145.614	00260	34	383 260 0142	196.221	00010	27	947 260 0545	119.271	00330	11
389 260 4919	145.614	00350	34	302 260 1544	196.223	00010	17	947 260 0545	119.271	00350	11
389 260 5719	145.590	00350	29	302 260 1644	196.210	00010	17	947 260 0545	119.271	00370	9
387 260 6420	190.248	00080	10	307 260 4244	146.692	00010	14	947 260 0745	<i>See 946 262 6137</i>		
930 260 0024	190.442	00390	32	337 260 3144	<i>See 307 260 4244</i>			947 260 0945	119.224	00175	12
930 260 0124	190.443	00400	32	381 260 0544	<i>See 381 260 1744</i>			947 260 0945	119.224	00265	15
930 260 0324	190.445	00390	32	381 260 1744	196.224	00010	14	947 260 0945	119.224	00275	6
930 260 0424	190.444	00400	32	385 260 0744	244.056	00020	21	947 260 0945	119.224	00285	15
389 260 0936	198.882	00165	10	385 260 0944	244.055	00020	17	947 260 0945	119.224	00295	15
389 260 0936	198.882	00185	10	385 260 1444	196.177	00020	21	947 260 0945	119.224	00315	6
389 260 0936	198.882	00195	10	385 260 1544	196.176	00020	17	947 260 0945	119.224	00325	15
389 260 0936	198.882	00215	10	970 260 0344	145.943	00120	35	947 260 0945	119.224	00335	15
389 260 0936	198.882	00255	10	970 260 1944	145.938	00120	11	947 260 0945	119.224	00355	15
389 260 2036	198.879	00165	10	970 260 2244	<i>See 970 260 2544</i>			947 260 0945	119.224	00365	15
389 260 2036	198.879	00185	10	970 260 2344	145.939	00120	15	947 260 0945	119.224	00375	15
389 260 2036	198.879	00195	10	970 260 2544	145.942	00120	29	947 260 0945	119.224	00385	15
389 260 2036	198.879	00215	10	970 260 2844	298.094	00120	38	947 260 0945	119.224	00395	15
389 260 2036	198.879	00235	12	970 260 2844	298.094	00130	40	947 260 0945	119.224	00405	15
389 260 2036	198.879	00255	10	970 260 2944	298.093	00120	25	947 260 1945	<i>See 946 262 6137</i>		
389 260 2036	198.879	00265	13	970 260 2944	298.093	00130	25	971 260 0745	<i>See 971 260 0945</i>		
389 260 2036	198.879	00285	13	211 260 1545	<i>See 971 260 0945</i>			971 260 0945	119.295	00100	17
389 260 2036	198.879	00295	13	381 260 0145	198.677	00010	52	945 260 0450	<i>See 389 262 0637</i>		
389 260 2036	198.879	00325	13	381 260 0345	298.190	00010	12	945 260 0650	<i>See 389 262 0737</i>		
389 260 2036	198.879	00335	13	383 260 0145	298.191	00010	53	945 260 0850	<i>See 389 262 0537</i>		
389 260 2036	198.879	00355	13	385 260 1345	<i>See 385 260 3245</i>			385 260 3061	190.201	00025	1
389 260 2036	198.879	00365	13	385 260 3245	198.392	00025	8	389 260 0661	190.336	00185	1
389 260 2036	198.879	00375	13	945 260 2245	<i>See 947 260 0545</i>			389 260 0661	190.336	00195	1
389 260 2036	198.879	00385	13	947 260 0545	119.271	00170	9	389 260 0661	190.336	00215	1
947 260 0536	298.201	00175	10	947 260 0545	119.271	00170	19	389 260 0661	190.336	00255	1
947 260 0736	298.185	00175	10	947 260 0545	119.271	00200	11	389 260 0761	190.440	00165	1
947 260 0736	298.185	00275	5	947 260 0545	119.271	00200	24	389 260 1361	<i>See 389 260 8961</i>		
947 260 0736	298.185	00315	5	947 260 0545	119.271	00220	11	389 260 2761	<i>See 389 260 7861</i>		
947 260 3036	298.054	00265	13	947 260 0545	119.271	00220	23	389 260 7661	<i>See 389 260 8961</i>		
947 260 3036	298.054	00285	13	947 260 0545	119.271	00240	10	389 260 7861	190.334	00165	1
947 260 3036	298.054	00295	13	947 260 0545	119.271	00240	22	389 260 8661	190.441	00265	1

Date

04 / 2011

Table

Index

Index MERCEDES

MB no.	CEI no.	Tab.	Fig.	MB no.	CEI no.	Tab.	Fig.	MB no.	CEI no.	Tab.	Fig.
389 260 8661	190.441	00355	1	001 260 8463	132.078	00355	44	389 260 0690	280.587	00195	22
389 260 8961	190.335	00185	1	001 260 8463	132.078	00365	44	389 260 0690	280.587	00215	22
389 260 8961	190.335	00195	1	930 260 2289	132.071	00275	26	389 260 0690	280.587	00235	24
389 260 8961	190.335	00215	1	930 260 2289	132.071	00315	26	389 260 0690	280.587	00255	22
389 260 8961	190.335	00235	1	930 260 2289	132.071	00395	41	389 260 0690	280.587	00265	26
389 260 8961	190.335	00255	1	930 260 2289	132.071	00405	41	389 260 0690	280.587	00275	16
389 260 9061	<i>See 389 260 8961</i>			930 260 2389	132.073	00265	38	389 260 0690	280.587	00285	26
945 260 4661	190.338	00265	1	930 260 2389	132.073	00325	38	389 260 0690	280.587	00295	26
945 260 4661	190.338	00285	1	930 260 2389	132.073	00355	38	389 260 0690	280.587	00315	16
945 260 4661	190.338	00325	1	930 260 2389	132.073	00375	38	389 260 0690	280.587	00325	26
945 260 4661	190.338	00335	1	930 260 2489	132.074	00275	26	389 260 0690	280.587	00335	26
945 260 4661	190.338	00355	1	930 260 2489	132.074	00365	38	389 260 0690	280.587	00355	26
945 260 4661	190.338	00365	1	930 260 2489	132.074	00375	38	389 260 0690	280.587	00365	26
945 260 4661	190.338	00375	1	930 260 2489	132.074	00395	41	389 260 0690	280.587	00375	26
945 260 4661	190.338	00385	1	930 260 2489	132.074	00405	41	389 260 0690	280.587	00385	26
945 260 4661	190.338	00395	1	930 260 2589	<i>See 930 260 2789</i>			389 260 0690	280.587	00395	26
945 260 4661	190.338	00405	1	930 260 2789	132.062	00175	30	389 260 0690	280.587	00405	26
946 260 3661	190.337	00265	1	930 260 2789	132.062	00265	37	389 260 0197	198.880	00165	7
946 260 3661	190.337	00285	1	930 260 2789	132.062	00285	36	389 260 0297	198.884	00185	7
946 260 3661	190.337	00325	1	930 260 2789	132.062	00295	35	389 260 0297	198.884	00195	7
946 260 3661	190.337	00335	1	930 260 2789	132.062	00325	37	389 260 0297	198.884	00215	7
946 260 3661	190.337	00355	1	930 260 2789	132.062	00335	36	389 260 0297	198.884	00255	7
946 260 3661	190.337	00365	1	930 260 2789	132.062	00355	37	389 260 0397	198.881	00165	7
946 260 3661	190.337	00375	1	930 260 2789	132.062	00365	37	389 260 0497	198.883	00185	7
946 260 3661	190.337	00385	1	930 260 2789	132.062	00375	37	389 260 0497	198.883	00195	7
946 260 3661	190.337	00395	1	930 260 2789	132.062	00385	37	389 260 0497	198.883	00215	7
946 260 3661	190.337	00405	1	930 260 2889	132.063	00175	30	389 260 0497	198.883	00235	7
946 260 4061	190.339	00295	1	930 260 2889	132.063	00265	37	389 260 0497	198.883	00255	7
947 260 1961	190.421	00175	1	930 260 2889	132.063	00285	36	440 260 0097	198.627	00025	6
947 260 4561	<i>See 947 260 1961</i>			930 260 2889	132.063	00295	35	655 260 0097	198.885	00265	7
947 260 6361	190.434	00275	1	930 260 2889	132.063	00325	37	655 260 0197	198.886	00265	7
947 260 6361	190.434	00315	1	930 260 2889	132.063	00335	36	655 260 0197	198.886	00285	7
001 260 4963	132.077	00175	33	930 260 2889	132.063	00355	37	655 260 0197	198.886	00325	7
001 260 4963	132.077	00265	44	930 260 2889	132.063	00375	37	655 260 0197	198.886	00335	7
001 260 4963	132.077	00285	40	930 260 3589	<i>See 930 260 2889</i>			655 260 0197	198.886	00355	7
001 260 4963	132.077	00295	39	385 260 0290	280.708	00020	2	655 260 0197	198.886	00365	7
001 260 4963	132.077	00325	44	385 260 0390	280.709	00020	2	655 260 0197	198.886	00375	7
001 260 4963	132.077	00335	40	385 260 0390	280.709	00020	2	655 260 0197	198.886	00385	7
001 260 4963	132.077	00355	44	389 260 0490	<i>See 389 260 0690</i>			655 260 0197	198.886	00395	7
001 260 8463	132.078	00265	44	389 260 0590	<i>See 389 260 0690</i>			655 260 0197	198.886	00405	7
001 260 8463	132.078	00285	40	389 260 0690	280.587	00165	22	945 260 0197	198.887	00295	7
001 260 8463	132.078	00325	44	389 260 0690	280.587	00175	22	947 260 0097	298.095	00175	2
001 260 8463	132.078	00335	40	389 260 0690	280.587	00185	22	947 260 0197	298.180	00275	2

All original equipment manufacturers numbers, symbols, pictures, models and description used in this catalogue are for reference only, and it is implied that any part listed is the product of these manufacturers. Tutti i nostri particolari non sono originali ma con essi intercambiabili. I riferimenti originali, le figure, i modelli sono esposti a semplice titolo indicativo. La nostra produzione riporta il nostro marchio.

MERCEDES Index

MB no.	CEI no.	Tab.	Fig.	MB no.	CEI no.	Tab.	Fig.	MB no.	CEI no.	Tab.	Fig.
947 260 0197	298.180	00315	2	389 261 4418	<i>135.130</i>	00160	1	389 261 0865	139.555	00060	3
387 261 0518	<i>See 387 261 0918</i>			389 261 4518	135.135	00260	1	389 261 0865	139.555	00200	3
387 261 0918	<i>135.199</i>	00030	1	389 261 4518	135.135	00350	1	389 261 0865	139.555	00220	3
387 261 1718	<i>See 387 261 2618</i>			389 261 4918	<i>135.220</i>	00230	2	389 261 0865	139.555	00240	3
387 261 2018	<i>135.145</i>	00040	1	389 261 6218	<i>135.204</i>	00200	1	389 261 0865	139.555	00260	6
387 261 2018	<i>135.145</i>	00070	1	389 261 6218	<i>135.204</i>	00220	1	389 261 0865	139.555	00270	2
387 261 2018	<i>135.145</i>	00080	1	389 261 6218	<i>135.204</i>	00240	1	389 261 0865	139.555	00280	5
387 261 2118	<i>See 387 261 2518</i>			389 261 6218	<i>135.204</i>	00300	1	389 261 0865	139.555	00290	3
387 261 2218	<i>135.137</i>	00030	1	389 261 6618	<i>135.205</i>	00200	1	389 261 0865	139.555	00300	3
387 261 2218	<i>135.137</i>	00040	1	389 261 6618	<i>135.205</i>	00220	1	389 261 0865	139.555	00310	2
387 261 2218	<i>135.137</i>	00040	1	389 261 6618	<i>135.205</i>	00240	1	389 261 0865	139.555	00320	6
387 261 2218	<i>135.137</i>	00040	1	389 261 6618	<i>135.205</i>	00300	1	389 261 0865	139.555	00330	5
387 261 2218	<i>135.137</i>	00050	1	656 261 0018	<i>135.202</i>	00200	1	389 261 0865	139.555	00340	3
387 261 2218	<i>135.137</i>	00070	1	656 261 0018	<i>135.202</i>	00220	1	389 261 0865	139.555	00350	6
387 261 2218	<i>135.137</i>	00090	1	656 261 0018	<i>135.202</i>	00240	1	389 261 0865	139.555	00360	5
387 261 2218	<i>135.137</i>	00090	1	656 261 0018	<i>135.202</i>	00300	1	389 261 0865	139.555	00370	4
387 261 2318	<i>135.143</i>	00050	1	656 261 0018	<i>135.202</i>	00340	1	389 261 0865	139.555	00380	5
387 261 2418	<i>135.141</i>	00040	1	930 261 0018	<i>135.223</i>	00380	3	389 261 0865	139.555	00390	2
387 261 2418	<i>135.141</i>	00070	1	945 261 1118	135.134	00260	2	389 261 0865	139.555	00400	2
387 261 2418	<i>135.141</i>	00080	1	945 261 1118	135.134	00280	1	947 261 0065	<i>269.371</i>	00170	2
387 261 2518	<i>135.142</i>	00040	1	945 261 1118	135.134	00290	1	389 261 0674	<i>188.244</i>	00200	61
387 261 2618	<i>135.196</i>	00070	1	945 261 1118	135.134	00320	1	389 261 0674	<i>188.244</i>	00220	61
387 261 2718	<i>135.140</i>	00040	1	945 261 1118	135.134	00330	1	629 261 0074	<i>117.439</i>	00240	58
387 261 2918	<i>135.138</i>	00040	1	945 261 1118	135.134	00350	2	629 261 0074	<i>117.439</i>	00300	58
387 261 2918	<i>135.138</i>	00070	1	945 261 1118	135.134	00360	1	629 261 0074	<i>117.439</i>	00340	55
387 261 2918	<i>135.138</i>	00090	1	945 261 1118	135.134	00370	1	389 261 1180	139.821	00410	60
387 261 2918	<i>135.138</i>	00090	1	945 261 1118	135.134	00380	1	389 261 1280	139.822	00410	63
389 261 0018	<i>135.139</i>	00040	1	945 261 1118	135.134	00390	1	389 261 1480	139.905	00410	63
389 261 0018	<i>135.139</i>	00040	1	945 261 1118	135.134	00400	1	945 261 0080	139.595	00410	63
389 261 0018	<i>135.139</i>	00070	1	945 261 1218	<i>135.133</i>	00350	4	945 261 0280	139.906	00410	63
389 261 0018	<i>135.139</i>	00090	1	945 261 1218	<i>135.133</i>	00370	2	387 262 1301	<i>102.312</i>	00090	3
389 261 0018	<i>135.139</i>	00090	1	945 261 2518	<i>135.222</i>	00290	1	387 262 1301	<i>102.312</i>	00090	3
389 261 3318	135.131	00160	1	945 261 2818	<i>135.132</i>	00350	4	387 262 1501	<i>102.314</i>	00090	3
389 261 3318	135.131	00160	1	945 261 2818	<i>135.132</i>	00370	2	387 262 1501	<i>102.314</i>	00090	3
389 261 3318	135.131	00180	1	947 261 0518	<i>See 947 261 0718</i>			387 262 1801	<i>102.313</i>	00090	3
389 261 3318	135.131	00190	1	947 261 0718	<i>135.197</i>	00170	1	387 262 1801	<i>102.313</i>	00090	3
389 261 3318	135.131	00210	1	947 261 0818	<i>135.221</i>	00270	1	389 262 1201	<i>102.528</i>	00190	9
389 261 3318	135.131	00230	1	947 261 0918	<i>135.198</i>	00170	1	389 262 1201	<i>102.528</i>	00210	9
389 261 3318	135.131	00250	1	947 261 1018	<i>See 947 261 0918</i>			389 262 1501	<i>102.265</i>	00160	9
389 261 3418	<i>See 389 261 4418</i>			947 261 2218	<i>135.206</i>	00310	1	389 262 2001	<i>102.267</i>	00160	9
389 261 3718	<i>135.203</i>	00200	1	976 261 0318	<i>135.200</i>	00140	1	389 262 2001	<i>102.267</i>	00160	9
389 261 3718	<i>135.203</i>	00230	2	389 261 0665	<i>See 389 261 0865</i>			389 262 2901	102.271	00190	9
389 261 4318	<i>135.144</i>	00060	1	389 261 0765	<i>See 389 261 0865</i>			389 262 2901	102.271	00210	9

Date

04 / 2011

Table

Index

Index MERCEDES

MB no.	CEI no.	Tab.	Fig.	MB no.	CEI no.	Tab.	Fig.	MB no.	CEI no.	Tab.	Fig.
389 262 2901	102.271	00230	10	387 262 4302	102.300	00040	4	655 262 0102	See 655 262 0002		
389 262 3101	102.272	00230	10	387 262 4402	102.293	00030	4	655 262 0202	102.492	00200	5
389 262 3701	102.270	00190	9	387 262 4402	102.293	00040	4	655 262 0302	See 655 262 0202		
389 262 3701	102.270	00210	9	387 262 4502	102.302	00050	4	655 262 0602	102.490	00200	5
389 262 3901	102.266	00160	9	387 262 4602	102.309	00070	4	655 262 0702	See 655 262 0602		
389 262 4201	102.268	00160	9	387 262 5202	102.310	00070	4	655 262 0802	102.502	00220	5
389 262 4201	102.268	00160	9	387 262 6002	102.299	00040	4	655 262 0902	See 655 262 0802		
389 262 6501	102.276	00260	13	387 262 6102	102.306	00070	4	656 262 0202	See 656 262 0602		
389 262 6601	102.284	00350	13	387 262 6202	102.205	00050	4	656 262 0402	102.473	00060	5
389 262 7901	102.278	00280	13	387 262 6302	102.303	00050	4	656 262 0602	102.474	00060	5
389 262 7901	102.278	00330	13	387 262 6402	102.298	00040	4	656 262 1502	See 656 262 0602		
389 262 8201	102.275	00260	13	387 262 6702	102.301	00040	4	656 262 1902	See 656 262 9202		
389 262 8201	102.275	00320	13	387 262 6802	102.307	00070	4	656 262 2002	See 656 262 9202		
389 262 8301	102.274	00350	13	387 262 7202	102.297	00040	4	656 262 4502	102.503	00300	5
389 262 8301	102.274	00370	11	387 262 7502	102.308	00070	4	656 262 4702	102.504	00300	5
945 262 1301	102.285	00370	11	387 262 7602	102.296	00040	4	656 262 6102	See 656 262 3282		
945 262 1901	102.279	00280	13	387 262 7702	102.304	00070	4	656 262 6302	102.505	00300	5
945 262 1901	102.279	00330	13	389 262 3102	102.263	00060	5	656 262 8102	102.483	00200	5
945 262 3201	102.282	00280	13	389 262 3502	102.269	00180	4	656 262 8202	102.484	00200	5
945 262 3201	102.282	00330	13	389 262 3502	102.269	00250	4	656 262 9202	102.493	00200	5
945 262 5401	102.281	00280	13	389 262 5602	See 656 262 8202			656 262 9802	102.488	00200	5
945 262 6701	102.280	00280	13	389 262 5702	See 656 262 8202			656 262 9902	102.489	00200	5
976 262 2001	See 976 262 2101			389 262 5802	See 656 262 8102			694 262 0002	See 970 262 2002		
976 262 2101	102.414	00140	9	389 262 5902	See 656 262 8102			945 262 1602	102.286	00290	5
976 262 2401	See 976 262 2501			389 262 6502	See 656 262 3282			945 262 2602	102.288	00290	5
976 262 2501	102.324	00140	9	389 262 6602	See 656 262 3282			945 262 4202	102.289	00290	5
381 262 0002	102.526	00010	3	389 262 6802	See 656 262 9902			945 262 4902	102.287	00290	5
381 262 0102	102.189	00010	3	389 262 6902	See 656 262 9902			947 262 0902	102.404	00170	4
383 262 0302	102.451	00010	3	389 262 7002	See 656 262 9802			947 262 1102	See 947 262 0902		
383 262 0802	102.191	00010	3	389 262 7102	See 656 262 9802			947 262 1302	102.445	00170	4
385 262 0802	102.194	00020	4	389 262 7802	See 389 262 7902			947 262 3202	102.457	00270	8
385 262 1002	102.195	00020	4	389 262 7902	102.460	00220	5	947 262 3502	102.529	00310	8
385 262 2402	102.468	00020	4	389 262 8002	See 389 262 8102			970 262 1902	See 970 262 2002		
385 262 2502	102.196	00020	4	389 262 8102	102.462	00220	5	970 262 2002	102.411	00110	4
385 262 2602	102.197	00020	4	389 262 8202	See 389 262 8302			970 262 2002	102.411	00120	3
385 262 2702	102.467	00020	4	389 262 8302	102.486	00200	5	971 262 2602	See 971 262 2902		
385 262 3202	102.469	00020	4	389 262 8402	See 389 262 8502			971 262 2702	102.475	00100	2
387 262 2202	102.311	00090	15	389 262 8502	102.487	00200	5	971 262 2902	102.472	00100	2
387 262 2402	102.315	00090	15	389 262 8802	See 389 262 8902			971 262 3002	102.527	00100	2
387 262 3102	See 387 262 4502			389 262 8902	102.485	00200	5	972 262 0202	See 972 262 0602		
387 262 4002	102.295	00040	4	444 262 0002	102.481	00150	3	972 262 0602	102.470	00100	2
387 262 4202	102.292	00030	4	652 262 0002	102.305	00070	4	975 262 0102	See 976 262 1402		
387 262 4202	102.292	00040	4	655 262 0002	102.491	00200	5	976 262 0202	See 976 262 0502		

All original equipment manufacturers numbers, symbols, pictures, models and description used in this catalogue are for reference only, and it is not implied that any part listed is the product of these manufacturers. Tutti i nostri particolari non sono originali ma con essi intercambiabili. I riferimenti originali, le figure, i modelli sono esposti a semplice titolo indicativo. La nostra produzione riporta il nostro marchio.

MERCEDES Index

MB no.	CEI no.	Tab.	Fig.	MB no.	CEI no.	Tab.	Fig.	MB no.	CEI no.	Tab.	Fig.
976 262 0502	102.479	00130	3	387 262 2105	103.154	00090	36	970 262 0105	103.212	00120	27
976 262 1402	102.477	00130	3	387 262 2405	103.155	00030	26	970 262 0205	<i>See 970 262 0405</i>		
976 262 1502	<i>See 976 262 1402</i>			387 262 2405	103.155	00040	26	970 262 0405	103.205	00110	27
976 262 1702	102.480	00130	3	387 262 2405	103.155	00050	25	970 262 0405	103.205	00120	27
976 262 1802	<i>See 976 262 1702</i>			387 262 2405	103.155	00090	36	971 262 0805	103.246	00100	27
976 262 2302	102.478	00130	3	389 262 1305	103.147	00180	13	972 262 0605	<i>See 974 262 0005</i>		
976 262 2402	<i>See 976 262 2302</i>			389 262 1305	103.147	00250	13	974 262 0005	103.245	00100	27
930 262 0403	102.458	00390	8	389 262 1505	103.148	00190	27	975 262 0005	<i>See 976 262 1705</i>		
930 262 0403	102.458	00400	8	389 262 1505	103.148	00210	27	976 262 0705	<i>See 976 262 1205</i>		
930 262 1003	102.501	00360	13	389 262 1505	103.148	00230	26	976 262 1105	<i>See 976 262 2105</i>		
930 262 1003	102.501	00380	13	389 262 1605	103.145	00160	21	976 262 1205	103.214	00130	29
945 262 4403	102.273	00330	13	389 262 1705	103.159	00060	30	976 262 1305	<i>See 976 262 2105</i>		
945 262 4403	102.273	00350	13	389 262 2005	103.146	00160	21	976 262 1405	<i>See 976 262 1705</i>		
945 262 4403	102.273	00370	11	389 262 2405	103.150	00260	33	976 262 1505	<i>See 976 262 2105</i>		
945 262 4703	102.277	00260	13	389 262 2405	103.150	00350	33	976 262 1705	103.247	00130	29
945 262 5703	102.506	00280	13	389 262 2505	<i>See 389 262 4405</i>			976 262 1705	103.247	00150	28
945 262 6003	102.507	00280	13	389 262 3205	<i>See 389 262 4605</i>			976 262 2005	<i>See 976 262 2105</i>		
945 262 6003	102.507	00330	13	389 262 4005	<i>See 389 262 4605</i>			976 262 2105	103.171	00140	37
945 262 6203	102.510	00370	11	389 262 4405	103.160	00060	30	385 262 0407	<i>See 440 260 0097</i>		
945 262 6303	102.497	00260	13	389 262 4505	<i>See 389 262 4605</i>			385 262 0208	123.170	00025	7
945 262 6303	102.497	00320	13	389 262 4605	103.215	00200	29	389 262 0208	123.228	00185	9
945 262 6403	102.508	00330	13	389 262 4605	103.215	00220	29	389 262 0208	123.228	00195	9
337 262 0205	<i>See 337 262 0505</i>			389 262 4605	103.215	00240	28	389 262 0208	123.228	00215	9
337 262 0305	<i>See 337 262 0505</i>			389 262 4605	103.215	00300	28	389 262 0208	123.228	00255	9
337 262 0505	103.102	00010	38	656 262 0605	103.249	00340	22	389 262 0308	123.227	00165	9
344 262 7005	<i>See 337 262 0505</i>			930 262 0805	103.234	00390	19	389 262 0408	123.229	00235	9
381 262 0005	103.116	00010	38	930 262 0805	103.234	00400	19	389 262 0608	123.231	00265	9
383 262 0005	103.241	00010	38	945 262 1205	103.151	00290	26	389 262 0708	123.295	00265	10
385 262 0105	103.120	00020	35	945 262 3605	103.149	00260	33	389 262 0708	123.295	00355	10
385 262 0405	103.242	00020	48	945 262 3605	103.149	00280	26	945 262 0108	123.230	00265	9
385 262 0505	103.121	00020	35	945 262 3605	103.149	00320	33	945 262 0108	123.230	00285	9
387 262 0905	103.144	00080	37	945 262 3605	103.149	00330	26	945 262 0108	123.230	00295	9
387 262 1405	<i>See 387 262 2005</i>			945 262 3605	103.149	00350	33	945 262 0108	123.230	00325	9
387 262 1705	103.158	00040	26	945 262 3605	103.149	00370	25	945 262 0108	123.230	00335	9
387 262 1805	103.161	00070	24	945 262 4505	103.188	00260	33	945 262 0108	123.230	00355	9
387 262 1905	103.157	00070	24	945 262 4505	103.188	00280	26	945 262 0108	123.230	00365	9
387 262 2005	103.153	00030	26	945 262 4505	103.188	00320	33	945 262 0108	123.230	00375	9
387 262 2005	103.153	00040	26	945 262 4505	103.188	00330	26	945 262 0108	123.230	00385	9
387 262 2005	103.153	00050	25	945 262 4505	103.188	00350	33	945 262 0108	123.230	00395	9
387 262 2005	103.153	00090	36	945 262 4505	103.188	00370	25	945 262 0108	123.230	00405	9
387 262 2105	103.154	00030	26	947 262 0305	103.197	00170	25	945 262 0208	123.232	00265	10
387 262 2105	103.154	00040	26	947 262 1705	103.238	00270	19	945 262 0208	123.232	00285	10
387 262 2105	103.154	00050	25	947 262 1705	103.238	00310	19	945 262 0208	123.232	00295	10

Date

04 / 2011

Table

Index

Index MERCEDES

MB no.	CEI no.	Tab.	Fig.	MB no.	CEI no.	Tab.	Fig.	MB no.	CEI no.	Tab.	Fig.
945 262 0208	123.232	00325	10	945 262 0909	157.605	00350	52	389 262 7710	145.558	00190	5
945 262 0208	123.232	00335	10	945 262 0909	157.605	00360	38	389 262 7710	145.558	00210	5
945 262 0208	123.232	00355	10	945 262 0909	157.605	00370	42	389 262 7710	145.558	00230	6
945 262 0208	123.232	00365	10	945 262 0909	157.605	00380	38	389 262 7910	145.588	00350	19
945 262 0208	123.232	00375	10	945 262 0909	157.605	00390	27	389 262 7910	145.588	00370	15
945 262 0208	123.232	00385	10	945 262 0909	157.605	00400	27	389 262 8610	145.585	00260	18
945 262 0208	123.232	00395	10	947 262 0709	157.718	00170	34	656 262 0310	146.711	00340	5
945 262 0208	123.232	00405	10	947 262 0809	See 947 262 0709			656 262 0910	244.080	00340	16
945 262 0808	123.313	00265	10	947 262 1209	157.736	00270	27	945 262 0510	145.586	00260	18
945 262 0808	123.313	00285	10	947 262 1209	157.736	00310	27	945 262 0510	145.586	00280	17
945 262 0808	123.313	00295	10	947 262 1609	157.764	00270	27	945 262 0510	145.586	00320	18
945 262 0808	123.313	00325	10	947 262 1609	157.764	00310	27	945 262 0510	145.586	00330	17
945 262 0808	123.313	00335	10	387 262 0010	145.692	00090	4	945 262 2310	145.623	00280	17
945 262 0808	123.313	00355	10	387 262 0110	145.690	00080	3	945 262 2310	145.623	00330	17
945 262 0808	123.313	00365	10	387 262 0710	145.565	00080	15	945 262 4110	145.584	00260	9
945 262 0808	123.313	00375	10	389 262 0210	See 389 262 1110			945 262 4110	145.584	00320	9
945 262 0808	123.313	00385	10	389 262 0910	See 389 262 2810			945 262 4110	145.584	00350	9
945 262 0808	123.313	00395	10	389 262 1010	See 389 262 2910			945 262 4410	145.618	00280	8
945 262 0808	123.313	00405	10	389 262 1110	145.613	00190	15	945 262 4410	145.618	00330	8
947 262 1108	See 947 262 1208			389 262 1110	145.613	00210	15	945 262 4710	145.619	00370	7
947 262 1208	123.283	00175	9	389 262 1210	145.593	00160	5	947 262 3510	244.119	00310	4
947 262 1308	See 947 262 1208			389 262 1410	145.594	00160	5	947 262 5210	146.693	00270	4
947 262 2508	123.314	00275	4	389 262 1510	See 389 262 5410			947 262 5310	244.035	00270	21
947 262 2508	123.314	00315	4	389 262 1610	See 389 262 3710			947 262 5310	244.035	00310	21
385 262 0109	157.160	00020	40	389 262 1710	See 389 262 3710			976 262 0210	145.812	00140	5
385 262 0109	157.160	00020	51	389 262 2210	145.579	00190	5	976 262 1510	145.814	00140	16
389 262 0109	157.558	00160	40	389 262 2210	145.579	00210	5	976 262 2210	See 976 262 0210		
389 262 0209	157.212	00180	38	389 262 2310	See 389 262 5510			976 262 2310	See 976 262 1510		
389 262 0209	157.212	00190	44	389 262 2710	See 389 262 7710			385 262 0011	145.316	00020	25
389 262 0209	157.212	00210	44	389 262 2810	145.607	00190	5	385 262 0111	145.417	00020	28
389 262 0209	157.212	00230	43	389 262 2810	145.607	00210	5	385 262 0611	244.057	00020	25
389 262 0209	157.212	00250	38	389 262 2910	145.608	00190	5	387 262 0211	145.638	00040	33
389 262 0309	157.559	00160	40	389 262 2910	145.608	00210	5	387 262 0211	145.638	00090	43
389 262 0409	157.600	00180	38	389 262 3010	See 389 262 2810			387 262 0411	145.428	00040	33
389 262 0409	157.600	00190	44	389 262 3710	145.580	00190	15	387 262 0411	145.428	00080	44
389 262 0409	157.600	00210	44	389 262 3710	145.580	00210	15	387 262 0911	145.647	00040	33
389 262 0409	157.600	00250	38	389 262 3810	145.587	00350	19	387 262 0911	145.647	00090	43
389 262 0509	157.604	00260	52	389 262 5410	145.598	00160	15	387 262 1111	See 387 262 1911		
945 262 0109	157.608	00290	36	389 262 5510	145.581	00190	15	387 262 1311	See 387 262 2011		
945 262 0909	157.605	00260	52	389 262 5510	145.581	00210	15	387 262 1511	145.686	00070	34
945 262 0909	157.605	00280	42	389 262 5610	145.582	00190	15	387 262 1811	145.677	00070	34
945 262 0909	157.605	00320	52	389 262 5610	145.582	00210	15	387 262 1911	145.662	00050	32
945 262 0909	157.605	00330	42	389 262 5610	145.582	00230	16	387 262 2011	145.653	00040	33

All original equipment manufacturers numbers, symbols, pictures, models and description used in this catalogue are for reference only, and it is not implied that any part listed is the product of these manufacturers. Tutti i nostri particolari non sono originali ma con essi intercambiabili. I riferimenti originali, le figure, i modelli sono esposti a semplice titolo indicativo. La nostra produzione riporta il nostro marchio.

MERCEDES Index

MB no.	CEI no.	Tab.	Fig.	MB no.	CEI no.	Tab.	Fig.	MB no.	CEI no.	Tab.	Fig.
387 262 2011	145.653	00050	32	945 262 2711	145.600	00290	23	387 262 3312	145.640	00080	39
387 262 2211	145.678	00070	34	947 262 1311	See 947 262 1811			387 262 3412	145.635	00030	28
387 262 2511	145.657	00040	33	947 262 1611	See 947 262 1911			387 262 3412	145.635	00040	28
387 262 2511	145.657	00090	43	947 262 1811	145.947	00170	27	387 262 3412	145.635	00090	38
387 262 2611	145.648	00040	33	947 262 1911	145.946	00170	22	387 262 3512	See 387 262 3812		
387 262 2611	145.648	00090	43	947 262 2411	See 947 262 1811			387 262 3712	145.683	00070	31
387 262 2811	145.663	00050	32	970 262 0311	244.071	00130	43	387 262 3812	145.661	00050	27
387 262 2911	145.654	00040	33	970 262 0511	See 970 262 0311			387 262 3912	145.652	00040	28
387 262 2911	145.654	00050	32	972 262 0111	See 974 262 0111			387 262 3912	145.652	00050	27
387 262 3011	145.639	00040	33	972 262 0211	See 974 262 0111			387 262 4012	145.675	00070	31
387 262 3011	145.639	00080	44	972 262 0311	See 974 262 0111			389 262 0012	See 389 262 0312		
389 262 0211	145.605	00180	33	974 262 0111	244.065	00100	40	389 262 0312	145.611	00190	28
389 262 0411	145.609	00190	34	976 262 0011	196.439	00140	46	389 262 0312	145.611	00210	28
389 262 0411	145.609	00210	34	976 262 0211	See 976 262 1211			389 262 0912	See 389 262 3312		
389 262 0711	See 389 262 0411			976 262 0511	See 976 262 1211			389 262 1112	145.596	00160	23
389 262 1411	145.597	00160	29	976 262 1211	145.912	00140	45	389 262 1212	See 389 262 1312		
389 262 1511	See 389 262 1611			976 262 1311	See 976 262 1211			389 262 1312	145.610	00190	28
389 262 1611	145.606	00190	34	976 262 1411	244.067	00110	38	389 262 1312	145.610	00210	28
389 262 1611	145.606	00210	34	976 262 1411	244.067	00130	44	389 262 1312	145.610	00230	27
389 262 1611	145.606	00230	33	976 262 1411	244.067	00150	41	389 262 1412	145.602	00180	15
389 262 1711	145.601	00180	23	302 262 0212	See 302 262 0312			389 262 1412	145.602	00250	15
389 262 1711	145.601	00250	23	302 262 0312	196.222	00010	25	389 262 2712	See 976 262 1612		
389 262 1911	145.694	00060	38	302 262 0412	See 302 262 0312			389 262 3112	See 976 262 1612		
389 262 2511	See 389 262 3311			387 262 0212	145.627	00030	28	389 262 3312	145.665	00060	31
389 262 2711	145.616	00260	42	387 262 0212	145.627	00040	28	656 262 0112	244.081	00340	24
389 262 2711	145.616	00280	33	387 262 0212	145.627	00090	38	695 262 0012	See 970 262 1012		
389 262 2711	145.616	00320	42	387 262 0412	145.429	00040	28	930 262 0112	244.031	00390	17
389 262 2711	145.616	00330	33	387 262 0412	145.429	00080	39	930 262 0112	244.031	00400	17
389 262 2711	145.616	00350	42	387 262 0812	145.636	00030	28	945 262 3112	145.615	00260	35
389 262 2711	145.616	00370	32	387 262 0812	145.636	00040	28	945 262 3112	145.615	00280	27
389 262 3011	See 389 262 3311			387 262 0812	145.636	00090	38	945 262 3112	145.615	00320	35
389 262 3311	244.038	00200	39	387 262 1512	See 387 262 2612			945 262 3112	145.615	00330	27
389 262 3311	244.038	00220	38	387 262 1912	145.668	00070	31	945 262 3112	145.615	00350	35
389 262 3311	244.038	00240	36	387 262 2412	145.682	00070	31	945 262 3112	145.615	00370	26
389 262 3311	244.038	00300	36	387 262 2512	See 387 262 2412			945 262 5912	145.604	00290	16
389 262 3411	See 389 262 3311			387 262 2612	145.660	00050	27	945 262 6812	244.085	00360	26
656 262 0111	244.082	00340	27	387 262 2712	145.651	00040	28	945 262 6812	244.085	00380	26
695 262 0011	See 976 262 1411			387 262 2712	145.651	00050	27	947 262 0412	See 947 262 0612		
930 262 0511	244.032	00390	21	387 262 2912	145.676	00070	31	947 262 0612	145.945	00170	16
930 262 0511	244.032	00400	21	387 262 3212	145.626	00030	28	947 262 2012	244.034	00270	17
930 262 0611	244.086	00360	30	387 262 3212	145.626	00040	28	947 262 2012	244.034	00310	17
930 262 0611	244.086	00380	30	387 262 3212	145.626	00090	38	970 262 1012	244.012	00110	28
945 262 0511	145.622	00290	28	387 262 3312	145.640	00040	28	970 262 1012	244.012	00130	31

Date

04 / 2011

Table

Index

Index MERCEDES

MB no.	CEI no.	Tab.	Fig.	MB no.	CEI no.	Tab.	Fig.	MB no.	CEI no.	Tab.	Fig.
970 262 1012	244.012	00150	30	387 262 5013	145.673	00070	26	947 262 0413	<i>See 947 262 0613</i>		
970 262 1312	<i>See 970 262 1012</i>			387 262 5113	145.685	00070	26	947 262 0613	145.902	00170	12
972 262 0112	<i>See 972 262 0312</i>			387 262 5313	145.629	00030	23	970 262 1113	<i>See 970 262 1213</i>		
972 262 0212	<i>See 972 262 0312</i>			387 262 5313	145.629	00040	23	970 262 1213	145.940	00110	23
972 262 0312	244.064	00100	29	387 262 5313	145.629	00090	33	970 262 1213	145.940	00120	22
974 262 0112	<i>See 972 262 0312</i>			389 262 0013	<i>See 389 262 0313</i>			970 262 1213	145.940	00130	27
975 262 0112	<i>See 970 262 1012</i>			389 262 0313	145.612	00190	22	970 262 1213	145.940	00150	26
976 262 0312	<i>See 976 262 1612</i>			389 262 0313	145.612	00210	22	972 262 0713	244.061	00100	25
976 262 0612	<i>See 976 262 1612</i>			389 262 0713	145.599	00160	18	974 262 0113	<i>See 972 262 0713</i>		
976 262 1212	<i>See 976 262 1612</i>			389 262 0813	<i>See 389 262 1413</i>			974 262 0613	<i>See 947 262 0613</i>		
976 262 1312	<i>See 976 262 1612</i>			389 262 0913	<i>See 389 262 1413</i>			975 262 0113	<i>See 970 262 1213</i>		
976 262 1412	<i>See 976 262 1612</i>			389 262 1013	145.603	00180	11	976 262 0113	<i>See 976 262 1113</i>		
976 262 1512	<i>See 976 262 1612</i>			389 262 1013	145.603	00250	11	976 262 0713	<i>See 976 262 1113</i>		
976 262 1612	145.815	00140	39	389 262 1313	<i>See 389 262 1413</i>			976 262 0913	<i>See 976 262 1113</i>		
976 262 1612	145.815	00200	31	389 262 1413	196.271	00190	22	976 262 1013	<i>See 976 262 1113</i>		
976 262 1612	145.815	00220	31	389 262 1413	196.271	00210	22	976 262 1113	145.813	00060	27
976 262 1612	145.815	00240	30	389 262 1713	<i>See 976 262 1113</i>			976 262 1113	145.813	00140	35
976 262 1612	145.815	00300	30	389 262 1813	145.589	00260	29	387 262 1014	<i>See 387 262 3414</i>		
387 262 0813	145.630	00030	23	389 262 2113	145.583	00190	23	387 262 2114	<i>See 387 262 3814</i>		
387 262 0813	145.630	00040	23	389 262 2113	145.583	00210	23	387 262 2214	<i>See 387 262 3514</i>		
387 262 0813	145.630	00090	33	389 262 2113	145.583	00230	23	387 262 2414	<i>See 387 262 3714</i>		
387 262 1613	145.641	00040	23	389 262 2413	<i>See 389 262 4013</i>			387 262 2514	145.680	00070	22
387 262 1813	145.632	00030	23	389 262 2713	<i>See 976 262 1113</i>			387 262 2814	145.670	00070	22
387 262 1813	145.632	00040	23	389 262 3313	<i>See 389 262 4013</i>			387 262 3114	<i>See 387 262 3714</i>		
387 262 1813	145.632	00090	33	389 262 3513	<i>See 389 262 4313</i>			387 262 3414	145.643	00040	16
387 262 2513	<i>See 387 262 3713</i>			389 262 3613	<i>See 389 262 4313</i>			387 262 3514	145.628	00030	16
387 262 2713	145.687	00080	34	389 262 3713	145.592	00350	30	387 262 3514	145.628	00040	16
387 262 3113	145.674	00070	26	389 262 3713	145.592	00370	22	387 262 3514	145.628	00090	26
387 262 3213	<i>See 387 262 3813</i>			389 262 4013	145.666	00060	27	387 262 3614	<i>See 387 262 3714</i>		
387 262 3513	<i>See 387 262 3613</i>			389 262 4313	145.972	00200	27	387 262 3714	145.644	00040	16
387 262 3613	145.684	00070	26	389 262 4313	145.972	00220	26	387 262 3714	145.644	00050	15
387 262 3713	145.658	00050	22	389 262 4313	145.972	00240	25	387 262 3814	145.633	00030	16
387 262 3813	145.646	00040	23	389 262 4313	145.972	00300	25	387 262 3814	145.633	00040	16
387 262 3813	145.646	00050	22	389 262 4413	<i>See 389 262 4313</i>			387 262 3814	145.633	00090	26
387 262 4213	<i>See 387 262 5313</i>			656 262 0013	<i>See 389 262 4313</i>			387 262 4014	145.568	00050	15
387 262 4313	145.642	00040	23	656 262 4413	<i>See 389 262 4313</i>			387 262 4114	145.691	00080	27
387 262 4413	145.631	00030	23	694 262 0013	<i>See 970 262 1213</i>			387 262 4214	145.681	00070	22
387 262 4413	145.631	00040	23	930 262 0513	244.087	00380	22	387 262 4414	145.672	00070	22
387 262 4413	145.631	00090	33	930 262 0613	244.084	00360	22	387 262 4514	145.693	00090	26
387 262 4613	145.688	00080	34	945 262 3513	145.591	00260	30	389 262 0114	<i>See 389 262 0914</i>		
387 262 4813	145.659	00050	22	945 262 3513	145.591	00280	23	389 262 0214	<i>See 389 262 0914</i>		
387 262 4913	145.650	00040	23	945 262 3513	145.591	00320	30	389 262 0414	<i>See 389 262 0914</i>		
387 262 4913	145.650	00050	22	945 262 3513	145.591	00330	23	389 262 0514	<i>See 389 262 1014</i>		

All original equipment manufacturers numbers, symbols, pictures, models and description used in this catalogue are for reference only, and it is implied that any part listed is the product of these manufacturers. Tutti i nostri particolari non sono originali ma con essi intercambiabili. I riferimenti originali, le figure, i modelli sono esposti a semplice titolo indicativo. La nostra produzione riporta il nostro marchio.

MERCEDES Index

MB no.	CEI no.	Tab.	Fig.	MB no.	CEI no.	Tab.	Fig.	MB no.	CEI no.	Tab.	Fig.
389 262 0614	<i>See 389 262 0914</i>			389 262 0915	<i>See 389 262 1615</i>			945 262 6417	145.973	00240	25
389 262 0814	<i>See 389 262 0914</i>			389 262 1215	<i>See 389 262 0215</i>			945 262 6417	145.973	00300	25
389 262 0914	145.569	00060	20	389 262 1515	<i>See 389 262 1615</i>			945 262 7517	145.971	00260	9
389 262 0914	145.569	00140	29	389 262 1615	244.037	00200	16	945 262 7517	145.971	00320	9
389 262 0914	145.569	00200	20	389 262 1615	244.037	00220	16	945 262 7517	145.971	00350	9
389 262 0914	145.569	00220	19	389 262 1715	<i>See 389 262 1615</i>			947 262 0117	146.694	00270	13
389 262 0914	145.569	00240	18	694 262 0115	244.072	00110	11	947 262 0117	146.694	00310	13
389 262 0914	145.569	00300	18	976 262 0015	<i>See 976 262 1515</i>			976 262 0218	<i>See 976 261 0318</i>		
389 262 1014	244.050	00060	20	976 262 0915	<i>See 976 262 1515</i>			381 262 0023	154.385	00010	7
389 262 1114	<i>See 389 262 0914</i>			976 262 1515	145.816	00140	24	381 262 0023	154.385	00010	19
695 262 0014	<i>See 970 262 1114</i>			976 262 1615	<i>See 976 262 1515</i>			381 262 0023	154.385	00020	11
970 262 1114	244.066	00110	15	387 262 0316	145.671	00070	12	381 262 0023	154.385	00020	23
970 262 1114	244.066	00130	16	387 262 0416	145.667	00070	12	383 262 0023	154.156	00010	30
970 262 1114	244.066	00150	16	389 262 0116	<i>See 389 262 0816</i>			385 262 0223	<i>See 385 262 1523</i>		
970 262 1214	<i>See 970 262 1114</i>			389 262 0416	<i>See 389 262 0816</i>			385 262 0623	154.447	00020	44
972 262 0514	<i>See 974 262 0114</i>			389 262 0716	<i>See 389 262 0816</i>			385 262 1523	154.159	00020	31
972 262 0614	<i>See 974 262 0114</i>			389 262 0816	145.968	00240	14	387 262 0023	154.229	00030	34
972 262 0714	<i>See 974 262 0114</i>			389 262 0816	145.968	00300	14	387 262 0023	154.229	00040	36
974 262 0114	244.062	00100	15	444 262 0016	244.070	00150	12	387 262 0023	154.229	00050	35
975 262 0114	<i>See 970 262 1114</i>			695 262 0016	<i>See 976 262 1016</i>			387 262 0023	154.229	00050	35
976 262 0214	<i>See 389 262 0914</i>			972 262 0116	<i>See 974 262 0116</i>			387 262 0023	154.229	00080	46
976 262 0814	<i>See 389 262 0914</i>			972 262 0216	<i>See 974 262 0116</i>			387 262 0023	154.229	00090	46
387 262 0115	145.649	00040	12	972 262 0316	<i>See 974 262 0116</i>			387 262 0223	<i>See 387 262 1523</i>		
387 262 0215	<i>See 387 262 2015</i>			974 262 0116	244.063	00100	11	M387 262 0223	<i>See M387 262 1523</i>		
387 262 0515	145.689	00080	23	976 262 0216	<i>See 976 262 0816</i>			387 262 0323	154.305	00070	38
387 262 1215	<i>See 387 262 2615</i>			976 262 0816	146.669	00130	10	387 262 0523	<i>See 387 262 1523</i>		
387 262 1315	<i>See 387 262 1815</i>			976 262 0916	<i>See 976 262 0816</i>			M387 262 0523	<i>See M387 262 1523</i>		
387 262 1415	<i>See 387 262 2215</i>			976 262 1016	244.071	00130	10	387 262 0623	154.216	00030	32
387 262 1715	<i>See 387 262 2215</i>			656 262 0117	244.079	00340	20	387 262 0623	154.216	00040	32
387 262 1815	145.679	00070	15	930 262 0217	146.713	00360	8	387 262 0623	154.216	00050	31
387 262 2015	145.637	00030	13	930 262 0717	146.717	00390	4	387 262 0623	154.216	00070	30
387 262 2015	145.637	00040	12	930 262 1717	146.690	00400	4	387 262 0623	154.216	00080	43
387 262 2015	145.637	00090	23	930 262 2217	244.083	00360	18	387 262 0623	154.216	00090	42
387 262 2215	145.645	00040	12	930 262 2417	244.088	00380	18	387 262 0623	154.216	00160	28
387 262 2215	145.645	00050	12	930 262 3217	146.716	00380	8	387 262 0623	154.216	00190	33
387 262 2315	145.634	00030	13	930 262 3617	146.691	00390	13	387 262 0623	154.216	00210	33
387 262 2315	145.634	00040	12	930 262 3617	146.691	00400	13	M387 262 0623	154.431	00030	32
387 262 2315	145.634	00090	23	945 262 1617	145.620	00290	12	M387 262 0623	154.431	00040	32
387 262 2515	145.430	00050	12	945 262 5617	145.970	00350	19	M387 262 0623	154.431	00050	31
387 262 2615	145.669	00070	15	945 262 5617	145.970	00370	15	M387 262 0623	154.431	00070	30
389 262 0215	145.567	00060	15	945 262 5917	146.715	00370	7	M387 262 0623	154.431	00080	43
389 262 0415	<i>See 389 262 1615</i>			945 262 6417	145.973	00200	27	M387 262 0623	154.431	00090	42
389 262 0815	<i>See 389 262 1615</i>			945 262 6417	145.973	00220	26	M387 262 0623	154.431	00160	28

Date

04 / 2011

Table

Index

Index MERCEDES

MB no.	CEI no.	Tab.	Fig.	MB no.	CEI no.	Tab.	Fig.	MB no.	CEI no.	Tab.	Fig.
M387 262 0623	154.431	00190	33	387 262 1523	154.215	00210	8	389 262 1623	<i>See 945 262 6623</i>		
M387 262 0623	154.431	00210	33	387 262 1523	154.215	00210	21	M389 262 1623	<i>See M945 262 6623</i>		
387 262 0923	154.455	00050	35	M387 262 1523	154.430	00030	10	389 262 1723	154.224	00060	41
387 262 1323	154.301	00030	32	M387 262 1523	154.430	00030	22	389 262 1723	154.224	00140	49
387 262 1323	154.301	00040	32	M387 262 1523	154.430	00040	10	389 262 1723	154.224	00160	33
387 262 1323	154.301	00050	31	M387 262 1523	154.430	00040	22	389 262 1723	154.224	00190	37
387 262 1323	154.301	00070	30	M387 262 1523	154.430	00050	10	389 262 1723	154.224	00200	43
387 262 1323	154.301	00080	43	M387 262 1523	154.430	00050	21	389 262 1723	154.224	00210	37
387 262 1323	154.301	00090	42	M387 262 1523	154.430	00070	10	389 262 1723	154.224	00220	44
M387 262 1323	154.441	00030	32	M387 262 1523	154.430	00070	21	389 262 1723	154.224	00230	36
M387 262 1323	154.441	00040	32	M387 262 1523	154.430	00080	8	389 262 1723	154.224	00240	42
M387 262 1323	154.441	00050	31	M387 262 1523	154.430	00080	21	389 262 1723	154.224	00260	45
M387 262 1323	154.441	00070	30	M387 262 1523	154.430	00080	33	389 262 1723	154.224	00280	36
M387 262 1323	154.441	00080	43	M387 262 1523	154.430	00090	10	389 262 1723	154.224	00300	42
M387 262 1323	154.441	00090	42	M387 262 1523	154.430	00090	21	389 262 1723	154.224	00320	45
387 262 1423	154.302	00030	22	M387 262 1523	154.430	00090	32	389 262 1723	154.224	00330	36
387 262 1423	154.302	00040	22	M387 262 1523	154.430	00190	8	389 262 1723	154.224	00350	45
387 262 1423	154.302	00050	21	M387 262 1523	154.430	00190	21	389 262 1723	154.224	00370	35
387 262 1423	154.302	00070	21	M387 262 1523	154.430	00210	8	389 262 1823	154.223	00025	14
387 262 1423	154.302	00080	33	M387 262 1523	154.430	00210	21	389 262 1823	154.223	00060	41
387 262 1423	154.302	00090	32	389 262 0023	<i>See 389 262 1723</i>			389 262 1823	154.223	00160	33
M387 262 1423	154.442	00030	22	389 262 0123	<i>See 389 262 1523</i>			389 262 1823	154.223	00190	37
M387 262 1423	154.442	00040	22	M389 262 0123	<i>See M389 262 1523</i>			389 262 1823	154.223	00200	43
M387 262 1423	154.442	00050	21	389 262 0223	154.225	00180	26	389 262 1823	154.223	00210	37
M387 262 1423	154.442	00070	21	389 262 0623	<i>See 389 262 3023</i>			389 262 1823	154.223	00220	44
M387 262 1423	154.442	00080	33	M389 262 0623	<i>See M389 262 3023</i>			389 262 1823	154.223	00230	36
M387 262 1423	154.442	00090	32	389 262 0723	<i>See 389 262 2923</i>			389 262 1823	154.223	00240	42
387 262 1523	154.215	00030	10	M389 262 0723	<i>See M389 262 2923</i>			389 262 1823	154.223	00250	28
387 262 1523	154.215	00030	22	389 262 0923	<i>See 389 262 1823</i>			389 262 1823	154.223	00260	45
387 262 1523	154.215	00040	10	389 262 1223	<i>See 945 262 0423</i>			389 262 1823	154.223	00280	36
387 262 1523	154.215	00040	22	M389 262 1223	<i>See M945 262 0423</i>			389 262 1823	154.223	00300	42
387 262 1523	154.215	00050	10	389 262 1323	<i>See 945 262 0323</i>			389 262 1823	154.223	00320	45
387 262 1523	154.215	00050	21	M389 262 1323	<i>See M945 262 0323</i>			389 262 1823	154.223	00330	36
387 262 1523	154.215	00070	10	389 262 1523	154.222	00165	14	389 262 1823	154.223	00340	32
387 262 1523	154.215	00070	21	389 262 1523	154.222	00185	14	389 262 1823	154.223	00350	45
387 262 1523	154.215	00080	8	389 262 1523	154.222	00195	14	389 262 1823	154.223	00360	32
387 262 1523	154.215	00080	21	389 262 1523	154.222	00215	14	389 262 1823	154.223	00370	35
387 262 1523	154.215	00080	33	389 262 1523	154.222	00255	14	389 262 1823	154.223	00380	32
387 262 1523	154.215	00090	10	M389 262 1523	154.432	00165	14	389 262 2023	154.303	00060	13
387 262 1523	154.215	00090	21	M389 262 1523	154.432	00185	14	389 262 2023	154.303	00060	26
387 262 1523	154.215	00090	32	M389 262 1523	154.432	00195	14	389 262 2023	154.303	00200	25
387 262 1523	154.215	00190	8	M389 262 1523	154.432	00215	14	389 262 2023	154.303	00220	25
387 262 1523	154.215	00190	21	M389 262 1523	154.432	00255	14	389 262 2023	154.303	00240	24

All original equipment manufacturers numbers, symbols, pictures, models and description used in this catalogue are for reference only, and it is not implied that any part listed is the product of these manufacturers. Tutti i nostri particolari non sono originali ma con essi intercambiabili. I riferimenti originali, le figure, i modelli sono esposti a semplice titolo indicativo. La nostra produzione riporta il nostro marchio.

MERCEDES Index

MB no.	CEI no.	Tab.	Fig.	MB no.	CEI no.	Tab.	Fig.	MB no.	CEI no.	Tab.	Fig.
389 262 2023	154.303	00300	24	389 262 3023	154.214	00190	21	945 262 0323	154.221	00260	12
M389 262 2023	154.443	00060	13	389 262 3023	154.214	00210	8	945 262 0323	154.221	00260	28
M389 262 2023	154.443	00060	26	389 262 3023	154.214	00210	21	945 262 0323	154.221	00280	12
M389 262 2023	154.443	00200	25	389 262 3023	154.214	00230	9	945 262 0323	154.221	00290	11
M389 262 2023	154.443	00220	25	389 262 3023	154.214	00250	10	945 262 0323	154.221	00300	12
M389 262 2023	154.443	00240	24	M389 262 3023	154.407	00160	8	945 262 0323	154.221	00320	12
M389 262 2023	154.443	00300	24	M389 262 3023	154.407	00180	10	945 262 0323	154.221	00330	12
389 262 2123	154.304	00060	36	M389 262 3023	154.407	00190	8	945 262 0323	154.221	00350	12
389 262 2123	154.304	00200	36	M389 262 3023	154.407	00190	21	945 262 0323	154.221	00350	28
389 262 2123	154.304	00220	36	M389 262 3023	154.407	00210	8	945 262 0323	154.221	00370	10
389 262 2123	154.304	00240	34	M389 262 3023	154.407	00210	21	M945 262 0323	154.408	00060	13
389 262 2123	154.304	00300	34	M389 262 3023	154.407	00230	9	M945 262 0323	154.408	00060	26
M389 262 2123	154.444	00060	36	M389 262 3023	154.407	00250	10	M945 262 0323	154.408	00140	8
M389 262 2123	154.444	00200	36	389 262 3823	See 945 262 6623			M945 262 0323	154.408	00140	21
M389 262 2123	154.444	00220	36	M389 262 3823	See M945 262 6623			M945 262 0323	154.408	00140	34
M389 262 2123	154.444	00240	34	389 262 4123	See 945 262 0323			M945 262 0323	154.408	00170	11
M389 262 2123	154.444	00300	34	M389 262 4123	See M945 262 0323			M945 262 0323	154.408	00170	21
389 262 2223	See 389 262 3023			656 262 0023	154.461	00340	19	M945 262 0323	154.408	00200	13
M389 262 2223	See M389 262 3023			656 262 0023	154.461	00340	26	M945 262 0323	154.408	00220	13
389 262 2623	See 945 262 0423			675 262 0023	See 974 262 0023			M945 262 0323	154.408	00240	12
M389 262 2623	See M945 262 0423			694 262 0023	See 970 262 3323			M945 262 0323	154.408	00260	12
389 262 2723	See 945 262 0323			694 262 0123	See 970 262 3423			M945 262 0323	154.408	00260	28
M389 262 2723	See M945 262 0323			694 262 0223	See 970 262 2923			M945 262 0323	154.408	00280	12
389 262 2923	154.213	00160	28	930 262 0123	154.438	00360	21	M945 262 0323	154.408	00290	11
389 262 2923	154.213	00180	20	930 262 0123	154.438	00360	28	M945 262 0323	154.408	00300	12
389 262 2923	154.213	00190	21	930 262 0123	154.438	00380	21	M945 262 0323	154.408	00320	12
389 262 2923	154.213	00190	33	930 262 0123	154.438	00380	28	M945 262 0323	154.408	00330	12
389 262 2923	154.213	00210	21	930 262 0123	154.438	00390	16	M945 262 0323	154.408	00350	12
389 262 2923	154.213	00210	33	930 262 0123	154.438	00390	23	M945 262 0323	154.408	00350	28
389 262 2923	154.213	00230	22	930 262 0123	154.438	00400	16	M945 262 0323	154.408	00370	10
389 262 2923	154.213	00230	32	930 262 0123	154.438	00400	23	945 262 0423	154.220	00060	36
389 262 2923	154.213	00250	20	930 262 0623	See 945 262 6923			945 262 0423	154.220	00140	44
M389 262 2923	154.405	00160	28	M930 262 0623	See M945 262 6923			945 262 0423	154.220	00260	28
M389 262 2923	154.405	00180	20	945 262 0323	154.221	00060	13	945 262 0423	154.220	00260	40
M389 262 2923	154.405	00190	21	945 262 0323	154.221	00060	26	945 262 0423	154.220	00280	22
M389 262 2923	154.405	00190	33	945 262 0323	154.221	00140	8	945 262 0423	154.220	00280	32
M389 262 2923	154.405	00210	21	945 262 0323	154.221	00140	21	945 262 0423	154.220	00290	21
M389 262 2923	154.405	00210	33	945 262 0323	154.221	00140	34	945 262 0423	154.220	00320	28
M389 262 2923	154.405	00230	22	945 262 0323	154.221	00170	11	945 262 0423	154.220	00320	40
M389 262 2923	154.405	00230	32	945 262 0323	154.221	00170	21	945 262 0423	154.220	00330	22
389 262 3023	154.214	00160	8	945 262 0323	154.221	00200	13	945 262 0423	154.220	00330	32
389 262 3023	154.214	00180	10	945 262 0323	154.221	00220	13	945 262 0423	154.220	00350	28
389 262 3023	154.214	00190	8	945 262 0323	154.221	00240	12	945 262 0423	154.220	00350	40

Date

04 / 2011

Table

Index

Index MERCEDES

MB no.	CEI no.	Tab.	Fig.	MB no.	CEI no.	Tab.	Fig.	MB no.	CEI no.	Tab.	Fig.
945 262 0423	154.220	00370	21	M945 262 5723	154.462	00240	24	945 262 6623	154.217	00195	14
945 262 0423	154.220	00370	31	M945 262 5723	154.462	00300	24	945 262 6623	154.217	00215	14
M945 262 0423	154.409	00060	36	945 262 6423	See 945 262 6823			945 262 6623	154.217	00235	16
M945 262 0423	154.409	00140	44	M945 262 6423	See M945 262 6823			945 262 6623	154.217	00255	14
M945 262 0423	154.409	00260	28	945 262 6523	154.388	00260	28	945 262 6623	154.217	00265	17
M945 262 0423	154.409	00260	40	945 262 6523	154.388	00260	40	945 262 6623	154.217	00285	17
M945 262 0423	154.409	00280	22	945 262 6523	154.388	00280	22	945 262 6623	154.217	00295	17
M945 262 0423	154.409	00280	32	945 262 6523	154.388	00280	32	945 262 6623	154.217	00325	17
M945 262 0423	154.409	00290	21	945 262 6523	154.388	00290	21	945 262 6623	154.217	00335	17
M945 262 0423	154.409	00320	28	945 262 6523	154.388	00320	28	945 262 6623	154.217	00355	17
M945 262 0423	154.409	00320	40	945 262 6523	154.388	00320	40	945 262 6623	154.217	00365	17
M945 262 0423	154.409	00330	22	945 262 6523	154.388	00330	22	945 262 6623	154.217	00375	17
M945 262 0423	154.409	00330	32	945 262 6523	154.388	00330	32	945 262 6623	154.217	00385	17
M945 262 0423	154.409	00350	28	945 262 6523	154.388	00340	9	M945 262 6623	154.433	00165	14
M945 262 0423	154.409	00350	40	945 262 6523	154.388	00350	28	M945 262 6623	154.433	00175	14
M945 262 0423	154.409	00370	21	945 262 6523	154.388	00350	40	M945 262 6623	154.433	00185	14
M945 262 0423	154.409	00370	31	945 262 6523	154.388	00360	12	M945 262 6623	154.433	00195	14
945 262 0623	See 945 262 0323			945 262 6523	154.388	00370	21	M945 262 6623	154.433	00215	14
M945 262 0623	See M945 262 0323			945 262 6523	154.388	00370	31	M945 262 6623	154.433	00235	16
945 262 0823	See 945 262 6623			945 262 6523	154.388	00380	12	M945 262 6623	154.433	00255	14
M945 262 0823	See M945 262 6623			945 262 6523	154.388	00390	11	M945 262 6623	154.433	00265	17
945 262 2023	154.228	00170	29	945 262 6523	154.388	00400	11	M945 262 6623	154.433	00285	17
945 262 2023	154.228	00290	29	M945 262 6523	154.460	00260	28	M945 262 6623	154.433	00295	17
945 262 2623	See 945 262 6623			M945 262 6523	154.460	00260	40	M945 262 6623	154.433	00325	17
M945 262 2623	See M945 262 6623			M945 262 6523	154.460	00280	22	M945 262 6623	154.433	00335	17
945 262 2723	See 945 262 0423			M945 262 6523	154.460	00280	32	M945 262 6623	154.433	00355	17
945 262 2823	See 945 262 0323			M945 262 6523	154.460	00290	21	M945 262 6623	154.433	00365	17
945 262 4623	See 945 262 0323			M945 262 6523	154.460	00320	28	M945 262 6623	154.433	00375	17
M945 262 4623	See M945 262 0323			M945 262 6523	154.460	00320	40	M945 262 6623	154.433	00385	17
945 262 5623	154.418	00200	36	M945 262 6523	154.460	00330	22	945 262 6823	154.399	00170	11
945 262 5623	154.418	00220	36	M945 262 6523	154.460	00330	32	945 262 6823	154.399	00170	21
945 262 5623	154.418	00240	34	M945 262 6523	154.460	00340	9	945 262 6823	154.399	00200	13
945 262 5623	154.418	00300	34	M945 262 6523	154.460	00350	28	945 262 6823	154.399	00220	13
M945 262 5623	154.459	00200	36	M945 262 6523	154.460	00350	40	945 262 6823	154.399	00240	12
M945 262 5623	154.459	00220	36	M945 262 6523	154.460	00360	12	945 262 6823	154.399	00260	12
M945 262 5623	154.459	00240	34	M945 262 6523	154.460	00370	21	945 262 6823	154.399	00270	11
M945 262 5623	154.459	00300	34	M945 262 6523	154.460	00370	31	945 262 6823	154.399	00280	12
945 262 5723	154.417	00200	25	M945 262 6523	154.460	00380	12	945 262 6823	154.399	00290	11
945 262 5723	154.417	00220	25	M945 262 6523	154.460	00390	11	945 262 6823	154.399	00300	12
945 262 5723	154.417	00240	24	M945 262 6523	154.460	00400	11	945 262 6823	154.399	00310	11
945 262 5723	154.417	00300	24	945 262 6623	154.217	00165	14	945 262 6823	154.399	00320	12
M945 262 5723	154.462	00200	25	945 262 6623	154.217	00175	14	945 262 6823	154.399	00330	12
M945 262 5723	154.462	00220	25	945 262 6623	154.217	00185	14	945 262 6823	154.399	00350	12

All original equipment manufacturers numbers, symbols, pictures, models and description used in this catalogue are for reference only, and it is implied that any part listed is the product of these manufacturers. Tutti i nostri particolari non sono originali ma con essi intercambiabili. I riferimenti originali, le figure, i modelli sono esposti a semplice titolo indicativo. La nostra produzione riporta il nostro marchio.

MERCEDES Index

MB no.	CEI no.	Tab.	Fig.	MB no.	CEI no.	Tab.	Fig.	MB no.	CEI no.	Tab.	Fig.
945 262 6823	154.399	00370	10	M945 262 6923	154.458	00405	17	389 262 1425	150.144	00385	12
M945 262 6823	154.457	00170	11	947 262 1123	154.439	00270	16	389 262 1425	150.144	00395	12
M945 262 6823	154.457	00170	21	947 262 1123	154.439	00270	23	389 262 1425	150.144	00405	12
M945 262 6823	154.457	00200	13	947 262 1123	154.439	00310	16	385 262 0026	287.039	00020	41
M945 262 6823	154.457	00220	13	947 262 1123	154.439	00310	23	385 262 0026	287.039	00020	52
M945 262 6823	154.457	00240	12	970 262 2923	154.379	00110	8	387 262 4131	See 387 262 4534		
M945 262 6823	154.457	00260	12	970 262 2923	154.379	00120	7	383 262 0033	147.264	00010	35
M945 262 6823	154.457	00270	11	970 262 2923	154.379	00130	7	387 262 0033	147.173	00030	39
M945 262 6823	154.457	00280	12	970 262 2923	154.379	00150	7	387 262 0033	147.173	00040	40
M945 262 6823	154.457	00290	11	970 262 3323	154.381	00110	34	387 262 0033	147.173	00090	50
M945 262 6823	154.457	00300	12	970 262 3323	154.381	00120	34	387 262 0233	147.172	00030	39
M945 262 6823	154.457	00310	11	970 262 3323	154.381	00130	37	387 262 0233	147.172	00040	40
M945 262 6823	154.457	00320	12	970 262 3323	154.381	00150	36	387 262 0233	147.172	00090	50
M945 262 6823	154.457	00330	12	970 262 3423	154.380	00110	21	387 262 0433	147.189	00070	40
M945 262 6823	154.457	00350	12	970 262 3423	154.380	00120	20	387 262 0533	147.175	00040	40
M945 262 6823	154.457	00370	10	970 262 3423	154.380	00130	22	387 262 0533	147.175	00080	50
945 262 6923	154.378	00175	14	970 262 3423	154.380	00150	22	387 262 0733	147.186	00070	40
945 262 6923	154.378	00265	17	971 262 0023	See 971 262 1723			387 262 0833	147.178	00050	39
945 262 6923	154.378	00275	9	971 262 0123	See 974 262 0823			387 262 0933	147.287	00040	40
945 262 6923	154.378	00285	17	971 262 0423	See 971 262 1623			387 262 1033	147.170	00030	39
945 262 6923	154.378	00295	17	971 262 1023	154.449	00100	21	387 262 1033	147.170	00040	40
945 262 6923	154.378	00315	9	971 262 1323	154.450	00100	6	387 262 1033	147.170	00090	50
945 262 6923	154.378	00325	17	971 262 1423	See 974 262 0823			387 262 1133	147.179	00050	39
945 262 6923	154.378	00335	17	971 262 1523	See 971 262 1623			387 262 1233	147.176	00050	39
945 262 6923	154.378	00355	17	971 262 1623	154.454	00100	44	387 262 1433	147.185	00070	40
945 262 6923	154.378	00365	17	971 262 1723	154.453	00100	44	387 262 1533	147.288	00040	40
945 262 6923	154.378	00375	17	972 262 0223	See 971 262 1023			387 262 1633	147.177	00050	39
945 262 6923	154.378	00385	17	972 262 1123	See 974 262 0823			387 262 1733	147.184	00070	40
945 262 6923	154.378	00395	17	972 262 1223	See 971 262 1023			389 262 0033	See 389 262 0333		
945 262 6923	154.378	00405	17	974 262 0023	154.452	00100	44	389 262 0333	147.159	00190	38
M945 262 6923	154.458	00175	14	974 262 0823	154.451	00100	35	389 262 0333	147.159	00210	38
M945 262 6923	154.458	00265	17	975 262 0023	See 970 262 3423			389 262 0333	147.159	00230	37
M945 262 6923	154.458	00275	9	975 262 0123	See 970 262 2923			389 262 0533	147.156	00180	27
M945 262 6923	154.458	00285	17	975 262 0223	See 970 262 3323			389 262 1033	147.160	00190	38
M945 262 6923	154.458	00295	17	389 262 0525	150.143	00235	11	389 262 1033	147.160	00210	38
M945 262 6923	154.458	00315	9	389 262 1425	150.144	00265	12	389 262 1033	147.160	00230	37
M945 262 6923	154.458	00325	17	389 262 1425	150.144	00285	12	389 262 1333	147.181	00060	45
M945 262 6923	154.458	00335	17	389 262 1425	150.144	00295	12	389 262 1633	145.595	00160	35
M945 262 6923	154.458	00355	17	389 262 1425	150.144	00325	12	389 262 1733	145.617	00260	46
M945 262 6923	154.458	00365	17	389 262 1425	150.144	00335	12	389 262 1733	145.617	00350	46
M945 262 6923	154.458	00375	17	389 262 1425	150.144	00355	12	389 262 1833	147.157	00250	30
M945 262 6923	154.458	00385	17	389 262 1425	150.144	00365	12	389 262 2233	244.039	00200	42
M945 262 6923	154.458	00395	17	389 262 1425	150.144	00375	12	389 262 2233	244.039	00220	43

Date

04 / 2011

Table

Index

Index MERCEDES

MB no.	CEI no.	Tab.	Fig.	MB no.	CEI no.	Tab.	Fig.	MB no.	CEI no.	Tab.	Fig.
389 262 2233	244.039	00240	41	970 262 0533	145.944	00150	44	387 262 4834	109.343	00090	28
389 262 2233	244.039	00300	41	971 262 0133	See 971 262 0733			387 262 4934	109.346	00040	11
389 262 2733	See 389 262 2233			971 262 0233	See 971 262 0733			387 262 4934	109.346	00070	11
656 262 0133	147.276	00340	31	971 262 0333	See 971 262 0733			387 262 5034	109.344	00030	6
695 262 0133	See 970 262 0533			971 262 0533	See 971 262 0733			387 262 5034	109.344	00040	6
695 262 0233	See 970 262 0533			971 262 0633	See 971 262 0733			387 262 5034	109.344	00090	17
930 262 0033	147.256	00390	25	971 262 0733	147.270	00100	42	387 262 5134	109.129	00040	6
930 262 0033	147.256	00400	25	972 262 0833	See 974 262 0133			387 262 5134	109.129	00050	6
930 262 0133	147.257	00390	25	972 262 0933	See 974 262 0133			387 262 5234	109.352	00070	6
930 262 0133	147.257	00400	25	972 262 1033	See 974 262 0133			387 262 5334	109.353	00080	17
945 262 3233	147.161	00260	46	974 262 0133	147.269	00100	42	389 262 0034	See 945 262 0434		
945 262 3233	147.161	00280	37	975 262 0133	See 970 262 0533			389 262 0534	109.339	00180	16
945 262 3233	147.161	00320	46	976 262 0233	See 976 262 1333			389 262 0534	109.339	00250	16
945 262 3233	147.161	00330	37	976 262 1333	147.244	00140	51	389 262 1134	109.328	00060	9
945 262 3233	147.161	00350	46	307 262 0534	See 385 262 1434			389 262 1134	109.328	00140	6
945 262 3233	147.161	00370	36	383 262 0134	109.123	00010	5	389 262 1534	See 389 262 5634		
945 262 3333	147.163	00260	46	383 262 1534	See 383 262 0134			389 262 1934	See 389 262 2334		
945 262 3333	147.163	00280	37	385 262 0434	109.125	00020	9	389 262 2334	109.338	00165	16
945 262 3333	147.163	00320	46	385 262 1434	109.811	00020	9	389 262 2334	109.338	00185	16
945 262 3333	147.163	00330	37	385 262 1534	109.097	00025	15	389 262 2334	109.338	00195	16
945 262 3333	147.163	00350	46	387 262 0734	See 387 262 5034			389 262 2334	109.338	00215	16
945 262 3333	147.163	00360	33	387 262 0834	See 389 262 5634			389 262 2334	109.338	00255	16
945 262 3333	147.163	00370	36	387 262 1034	See 387 262 4934			389 262 2434	See 389 262 5634		
945 262 3333	147.163	00380	33	387 262 2534	109.330	00080	22	389 262 3934	See 389 262 5634		
945 262 3533	147.165	00290	31	387 262 2734	See 387 262 4534			389 262 4034	109.188	00165	16
945 262 4433	147.245	00260	46	387 262 2834	See 387 262 5234			389 262 4034	109.188	00185	16
945 262 4433	147.245	00280	37	387 262 2934	109.331	00080	5	389 262 4034	109.188	00195	16
945 262 4433	147.245	00320	46	387 262 3034	109.128	00080	12	389 262 4034	109.188	00215	16
945 262 4433	147.245	00330	37	387 262 3134	See 387 262 5134			389 262 4034	109.188	00235	18
945 262 4433	147.245	00350	46	387 262 3234	109.332	00090	6	389 262 4034	109.188	00255	16
945 262 4433	147.245	00360	33	387 262 3534	See 387 262 3634			389 262 4434	109.336	00265	19
945 262 4433	147.245	00370	36	387 262 3634	109.354	00090	11	389 262 4434	109.336	00355	19
945 262 4433	147.245	00380	33	387 262 3934	See 387 262 5334			389 262 5034	See 945 262 0534		
947 262 0433	See 947 262 0633			387 262 4134	See 387 262 4534			389 262 5334	See 945 262 4034		
947 262 0633	147.248	00170	30	387 262 4534	109.130	00030	18	389 262 5434	See 945 262 0334		
947 262 1133	See 947 262 0633			387 262 4534	109.130	00040	18	389 262 5634	109.131	00030	11
947 262 1933	147.259	00270	25	387 262 4534	109.130	00050	17	389 262 5634	109.131	00040	11
947 262 1933	147.259	00310	25	387 262 4534	109.130	00070	17	389 262 5634	109.131	00040	18
970 262 0433	244.092	00120	42	387 262 4534	109.130	00090	28	389 262 5634	109.131	00050	11
970 262 0433	244.092	00130	47	387 262 4834	109.343	00030	18	389 262 5634	109.131	00080	29
970 262 0533	145.944	00110	41	387 262 4834	109.343	00040	18	389 262 5634	109.131	00090	22
970 262 0533	145.944	00120	42	387 262 4834	109.343	00050	17	389 262 5634	109.131	00160	13
970 262 0533	145.944	00130	47	387 262 4834	109.343	00070	17	389 262 5634	109.131	00180	6

All original equipment manufacturers numbers, symbols, pictures, models and description used in this catalogue are for reference only, and it is implied that any part listed is the product of these manufacturers. Tutti i nostri particolari non sono originali ma con essi intercambiabili. I riferimenti originali, le figure, i modelli sono esposti a semplice titolo indicativo. La nostra produzione riporta il nostro marchio.

MERCEDES Index

MB no.	CEI no.	Tab.	Fig.	MB no.	CEI no.	Tab.	Fig.	MB no.	CEI no.	Tab.	Fig.
389 262 5634	109.131	00190	13	695 262 0034	109.820	00130	9	945 262 0534	109.189	00320	21
389 262 5634	109.131	00190	17	695 262 0034	109.820	00150	9	945 262 0534	109.189	00320	31
389 262 5634	109.131	00210	13	930 262 0034	109.789	00340	6	945 262 0534	109.189	00330	18
389 262 5634	109.131	00210	17	930 262 0034	109.789	00360	17	945 262 0534	109.189	00350	21
389 262 5634	109.131	00230	14	930 262 0034	109.789	00380	17	945 262 0534	109.189	00350	31
389 262 5634	109.131	00250	6	930 262 0034	109.789	00390	39	945 262 0534	109.189	00370	17
389 262 5734	<i>See 945 262 5034</i>			930 262 0034	109.789	00400	39	945 262 3634	109.742	00170	17
389 262 5934	109.347	00040	18	945 262 0134	<i>See 945 262 0334</i>			945 262 3634	109.742	00240	8
389 262 5934	109.347	00080	29	945 262 0334	109.335	00060	22	945 262 3634	109.742	00260	20
389 262 8234	<i>See 945 262 4834</i>			945 262 0334	109.335	00140	30	945 262 3634	109.742	00270	7
389 262 8334	<i>See 945 262 4934</i>			945 262 0334	109.335	00170	17	945 262 3634	109.742	00280	9
389 262 8434	<i>See 945 262 5134</i>			945 262 0334	109.335	00240	8	945 262 3634	109.742	00290	7
389 262 8534	109.348	00060	9	945 262 0334	109.335	00260	20	945 262 3634	109.742	00300	8
389 262 9134	109.334	00165	16	945 262 0334	109.335	00280	9	945 262 3634	109.742	00310	7
389 262 9134	109.334	00185	16	945 262 0334	109.335	00290	7	945 262 3634	109.742	00320	20
389 262 9134	109.334	00195	16	945 262 0334	109.335	00300	8	945 262 3634	109.742	00330	9
389 262 9134	109.334	00215	16	945 262 0334	109.335	00320	20	945 262 3834	109.408	00265	19
389 262 9134	109.334	00235	18	945 262 0334	109.335	00330	9	945 262 3834	109.408	00285	19
389 262 9134	109.334	00255	16	945 262 0434	109.187	00060	32	945 262 3834	109.408	00295	19
389 262 9234	109.337	00265	19	945 262 0434	109.187	00060	37	945 262 3834	109.408	00325	19
389 262 9234	109.337	00285	19	945 262 0434	109.187	00140	40	945 262 3834	109.408	00335	19
389 262 9234	109.337	00295	19	945 262 0434	109.187	00160	24	945 262 3834	109.408	00355	19
389 262 9234	109.337	00325	19	945 262 0434	109.187	00180	21	945 262 3834	109.408	00365	19
389 262 9234	109.337	00335	19	945 262 0434	109.187	00190	29	945 262 3834	109.408	00375	19
389 262 9234	109.337	00355	19	945 262 0434	109.187	00210	29	945 262 3834	109.408	00385	19
389 262 9234	109.337	00365	19	945 262 0434	109.187	00230	28	945 262 3834	109.408	00395	19
389 262 9234	109.337	00375	19	945 262 0434	109.187	00250	21	945 262 3834	109.408	00405	19
389 262 9234	109.337	00385	19	945 262 0434	109.187	00260	36	945 262 4034	109.329	00060	14
389 262 9734	109.741	00200	9	945 262 0434	109.187	00280	28	945 262 4034	109.329	00140	23
389 262 9734	109.741	00220	9	945 262 0434	109.187	00290	22	945 262 4034	109.329	00170	7
389 262 9834	109.743	00200	14	945 262 0434	109.187	00320	36	945 262 4034	109.329	00260	20
389 262 9834	109.743	00220	14	945 262 0434	109.187	00330	28	945 262 4034	109.329	00260	21
389 262 9834	109.743	00240	13	945 262 0434	109.187	00350	36	945 262 4434	<i>See 945 262 4034</i>		
389 262 9834	109.743	00300	13	945 262 0434	109.187	00370	27	945 262 4834	109.350	00060	37
389 262 9934	<i>See 945 262 5034</i>			945 262 0534	109.189	00190	17	945 262 4834	109.350	00200	37
656 262 0034	109.828	00340	15	945 262 0534	109.189	00190	24	945 262 4834	109.350	00220	37
656 262 0134	109.829	00340	17	945 262 0534	109.189	00210	17	945 262 4834	109.350	00240	35
694 262 0034	109.822	00110	10	945 262 0534	109.189	00210	24	945 262 4834	109.350	00300	35
694 262 0034	109.822	00110	29	945 262 0534	109.189	00230	18	945 262 4934	109.351	00060	32
694 262 0134	<i>See 970 262 1534</i>			945 262 0534	109.189	00260	21	945 262 4934	109.351	00200	32
694 262 0234	109.826	00110	35	945 262 0534	109.189	00260	31	945 262 4934	109.351	00220	32
694 262 0234	109.826	00150	37	945 262 0534	109.189	00280	18	945 262 4934	109.351	00240	31
694 262 0334	<i>See 975 262 0234</i>			945 262 0534	109.189	00290	17	945 262 4934	109.351	00300	31

Date

04 / 2011

Table

Index

Index MERCEDES

MB no.	CEI no.	Tab.	Fig.	MB no.	CEI no.	Tab.	Fig.	MB no.	CEI no.	Tab.	Fig.
945 262 5034	109.349	00060	22	945 262 7134	109.744	00300	13	976 262 1634	109.821	00130	9
945 262 5034	109.349	00200	22	945 262 7234	109.783	00200	9	976 262 2834	109.389	00140	15
945 262 5034	109.349	00220	21	945 262 7234	109.783	00220	9	976 262 2834	109.389	00140	17
945 262 5034	109.349	00240	20	947 262 0134	109.825	00175	15	302 262 0535	155.258	00010	8
945 262 5034	109.349	00300	20	947 262 0334	109.762	00175	15	381 262 0035	155.182	00010	8
945 262 5134	109.333	00060	14	947 262 0634	109.791	00275	10	381 262 0135	157.161	00010	20
945 262 5434	109.414	00260	21	947 262 0634	109.791	00315	10	381 262 0135	157.161	00020	24
945 262 5434	109.414	00260	31	970 262 0134	See 970 262 3034			383 262 0235	155.181	00010	31
945 262 5434	109.414	00280	18	970 262 1534	109.409	00110	6	385 262 0235	157.156	00020	12
945 262 5434	109.414	00290	17	970 262 1534	109.409	00120	5	385 262 0835	157.742	00020	12
945 262 5434	109.414	00320	21	970 262 1534	109.409	00130	5	385 262 1035	157.142	00025	10
945 262 5434	109.414	00320	31	970 262 1534	109.409	00150	5	387 262 0335	157.621	00040	37
945 262 5434	109.414	00330	18	970 262 1734	109.413	00130	41	387 262 0335	157.621	00080	47
945 262 5434	109.414	00350	21	970 262 2334	109.412	00130	32	387 262 0435	157.623	00040	31
945 262 5434	109.414	00350	31	970 262 2434	109.816	00110	16	387 262 0435	157.623	00050	30
945 262 5434	109.414	00360	9	970 262 2434	109.816	00130	17	387 262 0435	157.623	00070	29
945 262 5434	109.414	00370	17	970 262 2434	109.816	00150	17	387 262 0435	157.623	00090	41
945 262 5434	109.414	00380	9	970 262 2534	109.411	00100	30	387 262 0735	157.619	00040	31
945 262 5434	109.414	00390	7	970 262 2534	109.411	00100	36	387 262 0735	157.619	00080	42
945 262 5434	109.414	00400	7	970 262 2534	109.411	00110	22	387 262 0835	157.620	00040	21
945 262 5534	109.415	00260	36	970 262 2534	109.411	00120	21	387 262 0935	157.614	00040	9
945 262 5534	109.415	00280	28	970 262 2534	109.411	00130	26	387 262 0935	157.614	00070	9
945 262 5534	109.415	00290	22	970 262 2534	109.411	00150	23	387 262 1835	157.639	00070	20
945 262 5534	109.415	00320	36	970 262 2834	See 970 262 3034			387 262 2035	157.617	00030	21
945 262 5534	109.415	00330	28	970 262 3034	119.231	00110	30	387 262 2035	157.617	00040	21
945 262 5534	109.415	00350	36	970 262 3034	119.231	00120	30	387 262 2035	157.617	00050	20
945 262 5534	109.415	00370	27	970 262 3034	119.231	00130	33	387 262 2035	157.617	00070	20
945 262 5734	109.423	00170	7	970 262 3034	119.231	00150	32	387 262 2035	157.617	00090	31
945 262 5934	109.747	00200	37	970 262 3134	119.228	00100	31	387 262 2135	157.611	00030	9
945 262 5934	109.747	00220	37	970 262 3134	119.228	00110	18	387 262 2135	157.611	00040	9
945 262 5934	109.747	00240	35	970 262 3134	119.228	00120	17	387 262 2135	157.611	00050	9
945 262 5934	109.747	00300	35	970 262 3134	119.228	00130	19	387 262 2135	157.611	00080	20
945 262 6034	109.746	00200	32	970 262 3134	119.228	00150	19	387 262 2135	157.611	00090	20
945 262 6034	109.746	00220	32	972 262 0634	See 971 262 0535			387 262 2335	157.641	00080	32
945 262 6034	109.746	00240	31	972 262 0734	See 971 262 0435			387 262 2635	See 387 262 2835		
945 262 6034	109.746	00300	31	972 262 0834	See 971 262 0662			387 262 2735	157.615	00030	31
945 262 6134	109.745	00200	22	972 262 0934	See 971 262 0762			387 262 2835	157.642	00090	9
945 262 6134	109.745	00220	21	973 262 0134	See 970 262 2434			387 262 2935	157.633	00070	37
945 262 6134	109.745	00240	20	974 262 0034	See 970 262 2534			387 262 3335	157.616	00030	31
945 262 6134	109.745	00300	20	975 262 0134	See 970 262 1534			387 262 3435	157.622	00040	31
945 262 7134	109.744	00200	14	975 262 0234	109.823	00130	32	387 262 3435	157.622	00050	30
945 262 7134	109.744	00220	14	975 262 0234	109.823	00150	31	387 262 3435	157.622	00070	29
945 262 7134	109.744	00240	13	976 262 0534	See 976 262 2834			387 262 3435	157.622	00090	41

All original equipment manufacturers numbers, symbols, pictures, models and description used in this catalogue are for reference only, and it is implied that any part listed is the product of these manufacturers.
Tutti i nostri particolari non sono originali ma con essi intercambiabili. I riferimenti originali, le figure, i modelli sono esposti a semplice titolo indicativo. La nostra produzione riporta il nostro marchio.

MERCEDES Index

MB no.	CEI no.	Tab.	Fig.	MB no.	CEI no.	Tab.	Fig.	MB no.	CEI no.	Tab.	Fig.
387 262 3535	157.618	00040	31	389 262 2035	155.204	00255	13	389 262 4235	157.626	00220	45
387 262 3535	157.618	00080	42	389 262 2035	155.204	00265	16	389 262 4235	157.626	00240	43
389 262 0035	157.213	00070	29	389 262 2035	155.204	00275	8	389 262 4235	157.626	00300	43
389 262 0035	157.213	00160	27	389 262 2035	155.204	00285	16	389 262 4235	157.626	00340	33
389 262 0035	157.213	00180	19	389 262 2035	155.204	00295	16	389 262 4435	157.624	00060	25
389 262 0035	157.213	00190	32	389 262 2035	155.204	00315	8	389 262 4435	157.624	00200	18
389 262 0035	157.213	00210	32	389 262 2035	155.204	00325	16	389 262 4435	157.624	00220	24
389 262 0035	157.213	00230	31	389 262 2035	155.204	00335	16	389 262 4435	157.624	00240	23
389 262 0035	157.213	00250	19	389 262 2035	155.204	00355	16	389 262 4435	157.624	00300	23
389 262 0135	157.603	00160	32	389 262 2035	155.204	00365	16	389 262 4535	157.625	00060	12
389 262 0135	157.603	00190	36	389 262 2035	155.204	00375	16	389 262 4735	157.556	00260	27
389 262 0135	157.603	00210	36	389 262 2035	155.204	00385	16	389 262 4735	157.556	00280	21
389 262 0135	157.603	00230	35	389 262 2035	155.204	00395	16	389 262 4735	157.556	00320	27
389 262 0135	157.603	00260	44	389 262 2035	155.204	00405	16	389 262 4735	157.556	00330	21
389 262 0135	157.603	00280	35	389 262 2135	155.273	00250	25	389 262 4735	157.556	00350	27
389 262 0135	157.603	00320	44	389 262 2535	157.557	00260	39	389 262 4735	157.556	00370	20
389 262 0135	157.603	00330	35	389 262 2535	157.557	00280	31	389 262 4935	See 389 262 2035		
389 262 0135	157.603	00350	44	389 262 2535	157.557	00290	20	389 262 5335	155.245	00200	12
389 262 0135	157.603	00370	34	389 262 2535	157.557	00320	39	389 262 5335	155.245	00220	12
389 262 0435	157.601	00180	25	389 262 2535	157.557	00330	31	389 262 5335	155.245	00240	11
389 262 0535	155.206	00165	13	389 262 2535	157.557	00350	39	389 262 5335	155.245	00300	11
389 262 0535	155.206	00185	13	389 262 2535	157.557	00370	30	389 262 5635	157.631	00060	35
389 262 0535	155.206	00195	13	389 262 2735	157.629	00060	25	389 262 5635	157.631	00200	35
389 262 0535	155.206	00215	13	389 262 2735	157.629	00140	33	389 262 5635	157.631	00220	35
389 262 0535	155.206	00255	13	389 262 2835	157.555	00260	27	389 262 5635	157.631	00240	63
389 262 0635	157.214	00160	17	389 262 2835	157.555	00350	27	389 262 5635	157.631	00300	62
389 262 0635	157.214	00180	9	389 262 3335	See 389 262 5635			656 262 0035	155.272	00340	25
389 262 0635	157.214	00190	20	389 262 3435	157.640	00070	29	656 262 0135	155.271	00340	18
389 262 0635	157.214	00210	20	389 262 3935	157.606	00260	44	694 262 0035	See 970 262 0835		
389 262 0635	157.214	00250	9	389 262 3935	157.606	00280	35	694 262 0235	See 970 262 2435		
389 262 1135	157.627	00060	35	389 262 3935	157.606	00320	44	694 262 0335	See 970 262 2535		
389 262 1135	157.627	00140	43	389 262 3935	157.606	00330	35	695 262 0035	155.274	00110	33
389 262 1535	157.215	00190	20	389 262 3935	157.606	00350	44	695 262 0035	155.274	00130	8
389 262 1535	157.215	00210	20	389 262 3935	157.606	00360	31	695 262 0035	155.274	00150	8
389 262 1535	157.215	00230	21	389 262 3935	157.606	00370	34	945 262 1935	157.607	00290	10
389 262 1935	157.628	00060	12	389 262 3935	157.606	00380	31	945 262 2035	154.226	00290	30
389 262 1935	157.628	00140	22	389 262 4135	157.630	00060	42	945 262 3635	157.734	00360	20
389 262 2035	155.204	00165	13	389 262 4135	157.630	00200	44	945 262 3635	157.734	00360	27
389 262 2035	155.204	00175	13	389 262 4135	157.630	00220	45	945 262 3635	157.734	00380	20
389 262 2035	155.204	00185	13	389 262 4135	157.630	00240	43	945 262 3635	157.734	00380	27
389 262 2035	155.204	00195	13	389 262 4135	157.630	00300	43	945 262 3635	157.734	00390	15
389 262 2035	155.204	00215	13	389 262 4235	157.626	00060	42	945 262 3635	157.734	00390	22
389 262 2035	155.204	00235	15	389 262 4235	157.626	00200	44	945 262 3635	157.734	00400	15

Date

04 / 2011

Table

Index

Index MERCEDES

MB no.	CEI no.	Tab.	Fig.	MB no.	CEI no.	Tab.	Fig.	MB no.	CEI no.	Tab.	Fig.
945 262 3635	157.734	00400	22	975 262 0135	See 970 262 0835			389 262 0537	119.160	00265	15
945 262 3835	155.232	00260	44	976 262 0135	See 976 262 0335			389 262 0537	119.160	00285	15
945 262 3835	155.232	00280	35	976 262 0335	157.714	00140	48	389 262 0537	119.160	00295	15
945 262 3835	155.232	00320	44	976 262 0835	157.720	00130	8	389 262 0537	119.160	00325	15
945 262 3835	155.232	00330	35	976 262 0935	See 976 262 0835			389 262 0537	119.160	00335	15
945 262 3835	155.232	00350	44	385 262 0036	157.158	00020	30	389 262 0537	119.160	00355	15
945 262 3835	155.232	00360	31	385 262 0536	157.157	00020	30	389 262 0537	119.160	00365	15
945 262 3835	155.232	00370	34	385 262 0636	117.426	00020	43	389 262 0537	119.160	00375	15
945 262 3835	155.232	00380	31	387 262 0036	157.613	00030	35	389 262 0537	119.160	00385	15
947 262 0135	157.716	00170	20	387 262 0036	157.613	00030	35	389 262 0637	119.112	00030	8
947 262 0435	157.715	00170	10	387 262 0036	157.613	00040	37	389 262 0637	119.112	00030	20
947 262 0735	157.717	00170	28	387 262 0036	157.613	00040	37	389 262 0637	119.112	00040	8
947 262 0835	See 947 262 0735			387 262 0036	157.613	00050	36	389 262 0637	119.112	00040	20
947 262 1435	157.735	00270	15	387 262 0036	157.613	00050	36	389 262 0637	119.112	00050	8
947 262 1435	157.735	00270	22	387 262 0036	157.613	00090	47	389 262 0637	119.112	00050	19
947 262 1435	157.735	00310	15	387 262 0036	157.613	00090	47	389 262 0637	119.112	00060	11
947 262 1435	157.735	00310	22	387 262 0136	157.632	00070	37	389 262 0637	119.112	00060	24
970 262 0835	155.237	00110	39	387 262 0236	157.634	00070	37	389 262 0637	119.112	00070	8
970 262 0835	155.237	00120	40	387 262 0436	157.612	00030	35	389 262 0637	119.112	00070	19
970 262 0835	155.237	00130	45	387 262 0436	157.612	00040	37	389 262 0637	119.112	00080	7
970 262 0835	155.237	00150	42	387 262 0436	157.612	00050	36	389 262 0637	119.112	00080	19
970 262 1235	See 970 262 1535			387 262 0436	157.612	00090	47	389 262 0637	119.112	00080	31
970 262 1535	155.234	00110	9	302 262 0537	See 381 262 0037			389 262 0637	119.112	00090	8
970 262 1535	155.234	00120	8	381 262 0037	119.102	00010	6	389 262 0637	119.112	00090	19
970 262 2435	155.230	00120	33	381 262 0037	119.102	00010	18	389 262 0637	119.112	00090	30
970 262 2435	155.230	00130	36	381 262 0037	119.102	00010	29	389 262 0637	119.112	00140	7
970 262 2435	155.230	00150	35	385 262 0137	See 425 262 0137			389 262 0637	119.112	00140	18
970 262 2535	155.229	00100	34	385 262 0637	See 385 262 1437			389 262 0637	119.112	00140	31
970 262 2535	155.229	00110	20	385 262 1437	119.100	00025	9	389 262 0637	119.112	00160	7
970 262 2535	155.229	00120	19	385 262 1537	See 425 262 0137			389 262 0637	119.112	00170	9
970 262 2535	155.229	00130	21	387 262 0637	See 389 262 0637			389 262 0637	119.112	00170	19
970 262 2535	155.229	00150	21	387 262 0837	See 389 262 0637			389 262 0637	119.112	00180	8
971 262 0335	155.263	00100	43	387 262 1537	See 389 262 0637			389 262 0637	119.112	00190	7
971 262 0435	109.813	00100	4	387 262 1637	See 389 262 0737			389 262 0637	119.112	00190	19
971 262 0535	109.814	00100	10	389 262 0037	See 389 262 0537			389 262 0637	119.112	00200	11
971 262 0635	157.746	00100	7	389 262 0137	See 389 262 0537			389 262 0637	119.112	00200	24
971 262 0735	155.264	00100	43	389 262 0537	119.160	00165	12	389 262 0637	119.112	00210	7
972 262 0135	See 971 262 0635			389 262 0537	119.160	00175	12	389 262 0637	119.112	00210	19
972 262 0435	See 972 262 0935			389 262 0537	119.160	00185	12	389 262 0637	119.112	00220	11
972 262 0735	157.745	00100	20	389 262 0537	119.160	00195	12	389 262 0637	119.112	00220	23
972 262 0935	155.262	00100	43	389 262 0537	119.160	00215	12	389 262 0637	119.112	00230	8
973 262 0335	See 972 262 0735			389 262 0537	119.160	00235	14	389 262 0637	119.112	00240	10
974 262 0035	See 970 262 2535			389 262 0537	119.160	00255	12	389 262 0637	119.112	00240	22

All original equipment manufacturers numbers, symbols, pictures, models and description used in this catalogue are for reference only, and it is not implied that any part listed is the product of these manufacturers. Tutti i nostri particolari non sono originali ma con essi intercambiabili. I riferimenti originali, le figure, i modelli sono esposti a semplice titolo indicativo. La nostra produzione riporta il nostro marchio.

MERCEDES Index

MB no.	CEI no.	Tab.	Fig.	MB no.	CEI no.	Tab.	Fig.	MB no.	CEI no.	Tab.	Fig.
389 262 0637	119.112	00250	8	389 262 0737	119.161	00350	38	389 262 3137	119.226	00240	10
389 262 0637	119.112	00260	11	389 262 0737	119.161	00370	19	389 262 3137	119.226	00240	22
389 262 0637	119.112	00260	26	389 262 0737	119.161	00370	29	389 262 3137	119.226	00250	8
389 262 0637	119.112	00280	11	389 262 1037	See 389 262 0637			389 262 3137	119.226	00260	11
389 262 0637	119.112	00290	9	389 262 1137	See 389 262 0737			389 262 3137	119.226	00260	26
389 262 0637	119.112	00300	10	389 262 1337	See 389 262 0637			389 262 3137	119.226	00280	11
389 262 0637	119.112	00300	22	389 262 1437	See 389 262 0737			389 262 3137	119.226	00290	9
389 262 0637	119.112	00320	11	389 262 2437	See 389 262 0637			389 262 3137	119.226	00300	10
389 262 0637	119.112	00330	11	389 262 2537	See 389 262 0637			389 262 3137	119.226	00300	22
389 262 0637	119.112	00350	11	389 262 2637	See 389 262 0737			389 262 3137	119.226	00320	11
389 262 0637	119.112	00350	26	389 262 2737	See 389 262 0737			389 262 3137	119.226	00330	11
389 262 0637	119.112	00370	9	389 262 3137	119.226	00030	8	389 262 3137	119.226	00350	11
389 262 0737	119.161	00030	30	389 262 3137	119.226	00030	20	389 262 3137	119.226	00350	26
389 262 0737	119.161	00040	30	389 262 3137	119.226	00040	8	389 262 3137	119.226	00370	9
389 262 0737	119.161	00050	29	389 262 3137	119.226	00040	20	389 262 3237	119.225	00030	30
389 262 0737	119.161	00060	34	389 262 3137	119.226	00050	8	389 262 3237	119.225	00040	30
389 262 0737	119.161	00070	28	389 262 3137	119.226	00050	19	389 262 3237	119.225	00050	29
389 262 0737	119.161	00080	41	389 262 3137	119.226	00060	11	389 262 3237	119.225	00060	34
389 262 0737	119.161	00090	40	389 262 3137	119.226	00060	24	389 262 3237	119.225	00070	28
389 262 0737	119.161	00140	41	389 262 3137	119.226	00070	8	389 262 3237	119.225	00080	41
389 262 0737	119.161	00160	26	389 262 3137	119.226	00070	19	389 262 3237	119.225	00090	40
389 262 0737	119.161	00180	18	389 262 3137	119.226	00080	7	389 262 3237	119.225	00140	41
389 262 0737	119.161	00190	19	389 262 3137	119.226	00080	19	389 262 3237	119.225	00160	26
389 262 0737	119.161	00190	31	389 262 3137	119.226	00080	31	389 262 3237	119.225	00180	18
389 262 0737	119.161	00200	34	389 262 3137	119.226	00090	8	389 262 3237	119.225	00190	19
389 262 0737	119.161	00210	19	389 262 3137	119.226	00090	19	389 262 3237	119.225	00190	31
389 262 0737	119.161	00210	31	389 262 3137	119.226	00090	30	389 262 3237	119.225	00200	34
389 262 0737	119.161	00220	34	389 262 3137	119.226	00140	7	389 262 3237	119.225	00210	19
389 262 0737	119.161	00230	20	389 262 3137	119.226	00140	18	389 262 3237	119.225	00210	31
389 262 0737	119.161	00230	30	389 262 3137	119.226	00140	31	389 262 3237	119.225	00220	34
389 262 0737	119.161	00240	33	389 262 3137	119.226	00160	7	389 262 3237	119.225	00230	20
389 262 0737	119.161	00250	18	389 262 3137	119.226	00170	9	389 262 3237	119.225	00230	30
389 262 0737	119.161	00260	26	389 262 3137	119.226	00170	19	389 262 3237	119.225	00240	33
389 262 0737	119.161	00260	38	389 262 3137	119.226	00180	8	389 262 3237	119.225	00250	18
389 262 0737	119.161	00280	20	389 262 3137	119.226	00190	7	389 262 3237	119.225	00260	26
389 262 0737	119.161	00280	30	389 262 3137	119.226	00190	19	389 262 3237	119.225	00260	38
389 262 0737	119.161	00290	19	389 262 3137	119.226	00200	11	389 262 3237	119.225	00280	20
389 262 0737	119.161	00300	33	389 262 3137	119.226	00200	24	389 262 3237	119.225	00280	30
389 262 0737	119.161	00320	26	389 262 3137	119.226	00210	7	389 262 3237	119.225	00290	19
389 262 0737	119.161	00320	38	389 262 3137	119.226	00210	19	389 262 3237	119.225	00300	33
389 262 0737	119.161	00330	20	389 262 3137	119.226	00220	11	389 262 3237	119.225	00320	26
389 262 0737	119.161	00330	30	389 262 3137	119.226	00220	23	389 262 3237	119.225	00320	38
389 262 0737	119.161	00350	26	389 262 3137	119.226	00230	8	389 262 3237	119.225	00330	20

Date

04 / 2011

Table

Index

Index MERCEDES

MB no.	CEI no.	Tab.	Fig.	MB no.	CEI no.	Tab.	Fig.	MB no.	CEI no.	Tab.	Fig.
389 262 3237	119.225	00330	30	946 262 6137	119.237	00380	11	387 262 0340	<i>See 387 262 0440</i>		
389 262 3237	119.225	00350	26	946 262 6137	119.237	00390	5	387 262 0440	157.638	00070	39
389 262 3237	119.225	00350	38	946 262 6137	119.237	00400	5	389 262 0040	157.602	00180	32
389 262 3237	119.225	00370	19	946 262 6337	<i>See 947 260 0545</i>			389 262 0140	109.340	00250	29
389 262 3237	119.225	00370	29	970 262 0237	<i>See 970 262 3437</i>			425 262 0140	188.235	00025	11
389 262 3337	119.250	00165	12	970 262 1437	<i>See 970 262 3037</i>			322 262 0045	155.188	00010	41
389 262 3337	119.250	00175	12	970 262 1537	<i>See 970 262 3037</i>			352 262 0045	155.175	00010	41
389 262 3337	119.250	00185	12	970 262 1937	<i>See 970 262 3537</i>			385 262 0145	<i>See 385 262 0645</i>		
389 262 3337	119.250	00195	12	970 262 3037	119.227	00100	5	385 262 0645	197.176	00025	17
389 262 3337	119.250	00215	12	970 262 3037	119.227	00110	7	385 262 0745	197.177	00025	17
389 262 3337	119.250	00235	14	970 262 3037	119.227	00120	6	387 262 0045	<i>See 387 262 0745</i>		
389 262 3337	119.250	00255	12	970 262 3037	119.227	00130	6	387 262 0145	197.088	00030	43
389 262 3337	119.250	00265	15	970 262 3037	119.227	00150	6	387 262 0145	197.088	00040	45
389 262 3337	119.250	00285	15	970 262 3437	119.230	00110	31	387 262 0145	197.088	00050	44
389 262 3337	119.250	00295	15	970 262 3437	119.230	00120	31	387 262 0145	197.088	00070	45
389 262 3337	119.250	00325	15	970 262 3437	119.230	00130	34	387 262 0345	197.089	00040	45
389 262 3337	119.250	00335	15	970 262 3437	119.230	00150	33	387 262 0345	197.089	00070	45
389 262 3337	119.250	00355	15	970 262 3537	119.229	00100	32	387 262 0345	197.089	00080	55
389 262 3337	119.250	00365	15	970 262 3537	119.229	00110	17	387 262 0745	197.092	00040	45
389 262 3337	119.250	00375	15	970 262 3537	119.229	00120	16	387 262 0745	197.092	00050	44
389 262 3337	119.250	00385	15	970 262 3537	119.229	00130	18	387 262 0745	197.092	00070	45
425 262 0137	119.111	00020	10	970 262 3537	119.229	00150	18	387 262 0745	197.092	00090	54
425 262 0137	119.111	00020	22	970 262 3837	119.232	00110	32	387 262 0845	197.091	00040	45
945 262 0137	<i>See 389 262 0737</i>			970 262 3837	119.232	00120	32	387 262 0845	197.091	00070	45
946 262 6137	119.237	00200	34	970 262 3837	119.232	00130	35	387 262 0845	197.091	00080	55
946 262 6137	119.237	00220	34	970 262 3837	119.232	00150	34	387 262 1045	197.090	00040	45
946 262 6137	119.237	00240	33	970 262 3937	119.252	00100	33	387 262 1045	197.090	00050	44
946 262 6137	119.237	00260	26	970 262 3937	119.252	00110	19	387 262 1045	197.090	00070	45
946 262 6137	119.237	00260	38	970 262 3937	119.252	00120	18	387 262 1045	197.090	00090	54
946 262 6137	119.237	00280	20	970 262 3937	119.252	00130	20	389 262 0445	197.079	00165	20
946 262 6137	119.237	00280	30	970 262 3937	119.252	00150	20	389 262 0445	197.079	00185	20
946 262 6137	119.237	00290	19	972 262 0037	<i>See 972 262 0337</i>			389 262 0445	197.079	00195	20
946 262 6137	119.237	00300	33	972 262 0137	119.294	00100	17	389 262 0445	197.079	00215	20
946 262 6137	119.237	00320	26	972 262 0237	<i>See 972 262 0337</i>			389 262 0445	197.079	00235	22
946 262 6137	119.237	00320	38	972 262 0337	119.293	00100	19	389 262 0445	197.079	00255	20
946 262 6137	119.237	00330	20	337 262 0140	188.141	00010	9	389 262 0445	197.079	00375	23
946 262 6137	119.237	00330	30	337 262 0140	188.141	00010	21	389 262 0445	197.079	00385	23
946 262 6137	119.237	00340	8	337 262 0140	188.141	00020	13	389 262 0545	197.081	00265	23
946 262 6137	119.237	00350	26	383 262 0040	160.266	00010	32	389 262 0545	197.081	00285	23
946 262 6137	119.237	00350	38	385 262 0140	<i>See 425 262 0140</i>			389 262 0545	197.081	00295	23
946 262 6137	119.237	00360	11	387 262 0040	157.636	00070	39	389 262 0545	197.081	00325	23
946 262 6137	119.237	00370	19	387 262 0140	157.635	00070	39	389 262 0545	197.081	00335	23
946 262 6137	119.237	00370	29	387 262 0240	157.637	00070	39	389 262 0545	197.081	00355	23

All original equipment manufacturers numbers, symbols, pictures, models and description used in this catalogue are for reference only, and it is not implied that any part listed is the product of these manufacturers. Tutti i nostri particolari non sono originali ma con essi intercambiabili. I riferimenti originali, le figure, i modelli sono esposti a semplice titolo indicativo. La nostra produzione riporta il nostro marchio.

INDEX
MERCEDES Progression

Date

04 / 2011

Table

Index

MERCEDES Index

MB no.	CEI no.	Tab.	Fig.	MB no.	CEI no.	Tab.	Fig.	MB no.	CEI no.	Tab.	Fig.
389 262 0545	197.081	00375	23	930 262 0045	197.173	00385	23	945 262 0545	197.208	00375	24
389 262 0645	197.082	00235	22	930 262 0045	197.173	00395	23	945 262 0545	197.208	00385	24
389 262 0645	197.082	00265	23	930 262 0045	197.173	00405	23	945 262 3045	197.202	00220	50
389 262 0645	197.082	00285	23	930 262 0145	197.174	00265	23	945 262 3045	197.202	00240	47
389 262 0645	197.082	00285	23	930 262 0145	197.174	00285	23	945 262 4145	<i>See 945 262 3045</i>		
389 262 0645	197.082	00295	23	930 262 0145	197.174	00325	23	947 262 0345	197.166	00060	49
389 262 0645	197.082	00325	23	930 262 0145	197.174	00335	23	947 262 0345	197.166	00140	56
389 262 0645	197.082	00325	23	930 262 0145	197.174	00355	23	947 262 0345	197.166	00175	18
389 262 0645	197.082	00355	23	930 262 0145	197.174	00365	23	947 262 0345	197.166	00200	49
389 262 0645	197.082	00365	23	930 262 0145	197.174	00375	23	947 262 0445	197.204	00175	18
389 262 0645	197.082	00375	23	930 262 0145	197.174	00385	23	947 262 1645	197.171	00275	12
389 262 0645	197.082	00385	23	930 262 0145	197.174	00395	23	947 262 1745	197.172	00275	12
389 262 0645	197.082	00395	23	930 262 0145	197.174	00405	23	970 262 0545	197.183	00110	44
389 262 0645	197.082	00405	23	930 262 0245	197.209	00265	24	970 262 1045	197.184	00110	44
389 262 0945	197.080	00265	23	930 262 0245	197.209	00285	24	970 262 1045	197.184	00120	45
389 262 0945	197.080	00285	23	930 262 0245	197.209	00355	23	970 262 1045	197.184	00130	50
389 262 0945	197.080	00295	23	930 262 0245	197.209	00355	24	970 262 1045	197.184	00150	46
389 262 0945	197.080	00325	23	930 262 0245	197.209	00375	24	970 262 1145	197.185	00110	44
389 262 0945	197.080	00355	23	945 262 0045	197.083	00265	23	970 262 1145	197.185	00120	45
389 262 0945	197.080	00375	23	945 262 0045	197.083	00285	23	970 262 1145	197.185	00130	50
629 262 0045	197.191	00060	49	945 262 0045	197.083	00295	23	970 262 1345	197.181	00110	44
629 262 0045	197.191	00200	49	945 262 0045	197.083	00325	23	970 262 1345	197.181	00130	50
629 262 0045	197.191	00300	47	945 262 0045	197.083	00335	23	970 262 1445	197.194	00120	45
629 262 0045	197.191	00340	35	945 262 0045	197.083	00355	23	970 262 1645	<i>See 970 262 1745</i>		
629 262 0145	197.192	00060	49	945 262 0045	197.083	00365	23	970 262 1745	197.182	00110	44
629 262 0145	197.192	00200	49	945 262 0045	197.083	00375	23	970 262 2045	197.197	00120	45
629 262 0145	197.192	00220	50	945 262 0045	197.083	00385	23	971 262 0145	197.179	00100	47
629 262 0145	197.192	00240	47	945 262 0045	197.083	00395	23	971 262 0245	197.180	00100	47
629 262 0145	197.192	00300	47	945 262 0045	197.083	00405	23	972 262 0145	197.193	00100	47
629 262 0245	197.187	00060	49	945 262 0245	<i>See 389 262 0645</i>			973 262 0545	<i>See 973 262 0645</i>		
629 262 0245	197.187	00200	49	945 262 0445	197.084	00265	24	973 262 0645	197.178	00100	47
629 262 0245	197.187	00300	47	945 262 0445	197.084	00285	24	976 262 0045	<i>See 976 262 0145</i>		
656 262 0045	197.189	00060	49	945 262 0445	197.084	00295	24	976 262 0145	197.093	00060	49
656 262 0045	197.189	00200	49	945 262 0445	197.084	00325	24	976 262 0145	197.093	00200	49
656 262 0045	197.189	00300	47	945 262 0445	197.084	00355	24	976 262 0745	197.196	00120	45
656 262 0145	197.201	00060	49	945 262 0445	197.084	00365	24	976 262 0845	197.198	00130	50
656 262 0145	197.201	00200	49	945 262 0445	197.084	00375	24	976 262 1045	<i>See 976 262 1445</i>		
930 262 0045	197.173	00265	23	945 262 0445	197.084	00385	24	976 262 1145	<i>See 970 262 2045</i>		
930 262 0045	197.173	00285	23	945 262 0545	197.208	00265	24	976 262 1245	<i>See 976 262 1445</i>		
930 262 0045	197.173	00325	23	945 262 0545	197.208	00295	24	976 262 1445	197.195	00120	45
930 262 0045	197.173	00335	23	945 262 0545	197.208	00325	24	976 262 1545	197.225	00150	46
930 262 0045	197.173	00355	23	945 262 0545	197.208	00355	24	979 262 0345	197.224	00100	47
930 262 0045	197.173	00365	23	945 262 0545	197.208	00365	24	337 262 1550	<i>See 383 262 1450</i>		

Date

04 / 2011

Table

Index

Index MERCEDES

MB no.	CEI no.	Tab.	Fig.	MB no.	CEI no.	Tab.	Fig.	MB no.	CEI no.	Tab.	Fig.
337 262 2150	117.271	00010	15	389 262 1650	See 389 262 2550			389 262 0551	269.217	00410	9
337 262 2250	117.421	00010	15	389 262 1750	117.336	00060	43	389 262 0851	269.292	00410	10
383 262 0750	117.422	00010	37	389 262 1850	See 389 262 0650			389 262 0951	269.342	00410	10
383 262 0850	117.270	00010	37	389 262 2250	117.440	00200	41	389 262 1051	269.293	00410	10
383 262 0950	117.423	00010	37	389 262 2250	117.440	00220	41	389 262 1151	269.343	00410	10
383 262 1050	See 383 262 0950			389 262 2250	117.440	00240	39	389 262 1251	269.294	00410	10
383 262 1350	117.424	00010	26	389 262 2250	117.440	00300	39	389 262 1751	269.445	00410	10
383 262 1450	117.269	00010	26	389 262 2250	117.440	00360	34	389 262 1851	269.341	00410	10
385 262 0450	117.274	00020	19	389 262 2450	See 389 262 2250			389 262 1951	269.339	00410	10
385 262 1250	117.273	00020	34	389 262 2550	117.327	00190	40	389 262 2051	269.340	00410	10
385 262 1450	117.272	00020	27	389 262 2550	117.327	00210	40	389 262 2151	269.338	00410	10
385 262 2050	117.425	00020	19	389 262 2550	117.327	00230	39	389 262 2351	269.520	00410	14
385 262 2450	117.427	00020	47	389 262 2550	117.327	00260	48	389 262 2751	269.234	00410	10
387 262 0150	117.279	00030	15	389 262 2550	117.327	00280	38	389 262 2851	269.446	00410	10
387 262 0150	117.279	00040	15	389 262 2550	117.327	00320	48	389 262 2951	269.237	00410	10
387 262 0150	117.279	00050	14	389 262 2550	117.327	00330	38	389 262 3051	269.447	00410	10
387 262 0150	117.279	00090	25	389 262 2550	117.327	00350	48	389 262 3151	269.240	00410	10
387 262 0350	117.334	00040	15	389 262 2550	117.327	00370	38	389 262 3251	269.448	00410	10
387 262 0550	117.330	00030	15	389 262 2550	117.327	00380	34	389 262 3351	269.244	00410	10
387 262 0550	117.330	00040	15	389 262 2550	117.327	00410	18	389 262 3451	269.449	00410	10
387 262 0550	117.330	00050	14	656 262 0050	117.438	00340	29	389 262 3551	269.248	00410	10
387 262 0550	117.330	00090	25	976 262 0350	117.428	00110	55	389 262 3651	269.450	00410	10
387 262 0750	117.339	00070	14	976 262 0350	117.428	00120	55	389 262 3751	269.252	00410	10
387 262 0850	117.333	00040	38	976 262 0350	117.428	00130	59	389 262 3851	269.451	00410	10
387 262 0850	117.333	00080	48	976 262 0350	117.428	00140	26	389 262 3951	269.254	00410	10
387 262 0950	117.342	00080	26	389 262 0251	117.322	00165	15	389 262 4051	269.452	00410	10
387 262 1350	117.337	00070	14	389 262 0251	117.322	00185	15	389 262 4151	269.257	00410	10
387 262 1450	117.329	00030	37	389 262 0251	117.322	00195	15	389 262 4251	269.453	00410	10
387 262 1450	117.329	00040	38	389 262 0251	117.322	00215	15	389 262 4351	269.259	00410	10
387 262 1450	117.329	00050	37	389 262 0251	117.322	00235	17	389 262 4451	269.454	00410	10
387 262 1450	117.329	00090	48	389 262 0251	117.322	00255	15	389 262 4551	269.261	00410	10
387 262 1550	117.429	00030	37	389 262 0251	117.322	00265	18	389 262 4651	269.455	00410	10
387 262 1550	117.429	00040	38	389 262 0251	117.322	00285	18	389 262 4751	269.262	00410	10
387 262 1550	117.429	00050	37	389 262 0251	117.322	00295	18	389 262 4851	269.456	00410	10
387 262 1550	117.429	00090	48	389 262 0251	117.322	00325	18	389 262 4951	269.264	00410	10
389 262 0050	See 389 262 2550			389 262 0251	117.322	00335	18	389 262 5051	269.457	00410	10
389 262 0150	117.432	00160	36	389 262 0251	117.322	00355	18	389 262 5151	269.267	00410	10
389 262 0150	117.432	00410	18	389 262 0251	117.322	00365	18	385 262 0152	169.642	00025	3
389 262 0650	117.335	00060	18	389 262 0251	117.322	00375	18	389 262 0152	117.326	00180	37
389 262 0950	117.434	00060	43	389 262 0251	117.322	00385	18	389 262 0152	117.326	00190	43
389 262 1250	117.433	00160	36	389 262 0251	117.322	00395	18	389 262 0152	117.326	00210	43
389 262 1250	117.433	00410	18	389 262 0251	117.322	00405	18	389 262 0152	117.326	00250	37
389 262 1350	See 389 262 1750			389 262 0251	117.322	00410	25	389 262 0152	117.326	00410	20

Date

04 / 2011

Table

Index

INDEX
MERCEDES Progression

MERCEDES Index

MB no.	CEI no.	Tab.	Fig.	MB no.	CEI no.	Tab.	Fig.	MB no.	CEI no.	Tab.	Fig.
389 262 1952	269.226	00410	9	389 262 3352	269.245	00360	52	389 262 6952	269.481	00410	7
389 262 1952	269.226	00410	15	389 262 3352	269.245	00370	55	389 262 7052	269.480	00410	7
389 262 2052	269.227	00280	56	389 262 3352	269.245	00380	52	389 262 7152	269.479	00410	7
389 262 2052	269.227	00315	31	389 262 3352	269.245	00395	36	389 262 7252	269.478	00410	7
389 262 2052	269.227	00320	66	389 262 3352	269.245	00405	36	389 262 9052	169.805	00060	19
389 262 2052	269.227	00330	56	389 262 3352	269.245	00410	15	945 262 0052	See 389 262 3754		
389 262 2052	269.227	00340	47	389 262 3352	269.245	00410	40	945 262 0152	See 389 262 3754		
389 262 2052	269.227	00360	52	389 262 3552	269.296	00410	19	947 262 0152	117.436	00170	33
389 262 2052	269.227	00370	55	389 262 3552	269.296	00410	36	976 262 0052	269.368	00140	27
389 262 2052	269.227	00380	52	389 262 3652	269.587	00410	19	385 262 0353	188.239	00020	7
389 262 2052	269.227	00395	36	389 262 3652	269.587	00410	36	385 262 0653	See 308750 012000		
389 262 2052	269.227	00405	36	389 262 3752	269.588	00410	19	389 262 0154	269.483	00410	7
389 262 2052	269.227	00410	9	389 262 3752	269.588	00410	36	389 262 0354	269.484	00410	7
389 262 2052	269.227	00410	15	389 262 3852	269.253	00410	19	389 262 0554	269.485	00410	7
389 262 2052	269.227	00410	40	389 262 3852	269.253	00410	36	389 262 0754	269.486	00410	7
389 262 2152	269.572	00410	9	389 262 3952	269.589	00410	19	389 262 0954	269.487	00410	7
389 262 2252	269.571	00410	9	389 262 3952	269.589	00410	36	389 262 1154	269.488	00410	7
389 262 2352	269.230	00410	9	389 262 4152	269.258	00410	1	389 262 1354	269.489	00410	7
389 262 2352	269.230	00410	15	389 262 4452	269.260	00410	1	389 262 1554	269.490	00410	7
389 262 2552	269.570	00410	9	389 262 4752	269.263	00410	27	389 262 1754	269.441	00410	7
389 262 2752	269.569	00410	9	389 262 4752	269.263	00410	29	389 262 1854	169.973	00410	11
389 262 2952	269.523	00410	9	389 262 4852	269.534	00410	27	389 262 1954	269.406	00410	1
389 262 2952	269.523	00410	15	389 262 4852	269.534	00410	29	389 262 2054	269.228	00410	1
389 262 3052	269.238	00410	9	389 262 4952	269.265	00410	27	389 262 2154	269.407	00410	1
389 262 3052	269.238	00410	15	389 262 4952	269.265	00410	29	389 262 2254	269.229	00410	1
389 262 3152	269.241	00410	9	389 262 5052	269.266	00410	27	389 262 2354	269.408	00410	1
389 262 3152	269.241	00410	15	389 262 5052	269.266	00410	29	389 262 2454	269.231	00410	1
389 262 3252	269.242	00280	56	389 262 5152	269.492	00410	27	389 262 2554	269.409	00410	1
389 262 3252	269.242	00315	31	389 262 5152	269.492	00410	29	389 262 2654	269.522	00410	1
389 262 3252	269.242	00320	66	389 262 5552	269.268	00410	7	389 262 2754	269.235	00410	9
389 262 3252	269.242	00330	56	389 262 5552	269.268	00410	14	389 262 2754	269.235	00410	15
389 262 3252	269.242	00340	47	389 262 5652	269.297	00410	7	389 262 2854	269.236	00410	9
389 262 3252	269.242	00360	52	389 262 5652	269.297	00410	14	389 262 2854	269.236	00410	15
389 262 3252	269.242	00370	55	389 262 5752	269.269	00410	7	389 262 2954	269.566	00410	7
389 262 3252	269.242	00380	52	389 262 5752	269.269	00410	14	389 262 2954	269.566	00410	14
389 262 3252	269.242	00410	9	389 262 5752	269.269	00410	14	389 262 3054	269.567	00410	7
389 262 3252	269.242	00410	15	389 262 5852	269.568	00410	7	389 262 3054	269.567	00410	14
389 262 3252	269.242	00410	40	389 262 5852	269.568	00410	14	389 262 3254	269.243	00280	56
389 262 3352	269.245	00280	56	389 262 5952	269.271	00410	7	389 262 3254	269.243	00315	31
389 262 3352	269.245	00315	31	389 262 5952	269.271	00410	14	389 262 3254	269.243	00320	66
389 262 3352	269.245	00320	66	389 262 6352	269.370	00160	39	389 262 3254	269.243	00330	56
389 262 3352	269.245	00330	56	389 262 6352	269.370	00410	20	389 262 3254	269.243	00340	47
389 262 3352	269.245	00340	47	389 262 6852	269.482	00410	7	389 262 3254	269.243	00360	52

Date

04 / 2011

Table

Index

Index MERCEDES

MB no.	CEI no.	Tab.	Fig.	MB no.	CEI no.	Tab.	Fig.	MB no.	CEI no.	Tab.	Fig.
389 262 3254	269.243	00370	55	389 262 3754	117.325	00250	37	389 262 2155	269.277	00410	9
389 262 3254	269.243	00380	52	389 262 3754	117.325	00260	51	389 262 2155	269.277	00410	15
389 262 3254	269.243	00395	36	389 262 3754	117.325	00280	41	389 262 2255	269.519	00410	9
389 262 3254	269.243	00405	36	389 262 3754	117.325	00290	35	389 262 2255	269.519	00410	15
389 262 3254	269.243	00410	9	389 262 3754	117.325	00320	51	389 262 2255	269.519	00410	15
389 262 3254	269.243	00410	15	389 262 3754	117.325	00330	41	389 262 2355	269.295	00320	66
389 262 3254	269.243	00410	40	389 262 3754	117.325	00350	51	389 262 2355	269.295	00340	47
389 262 3354	269.246	00280	56	389 262 3754	117.325	00360	37	389 262 2355	269.295	00360	52
389 262 3354	269.246	00315	31	389 262 3754	117.325	00370	41	389 262 2355	269.295	00370	55
389 262 3354	269.246	00320	66	389 262 3754	117.325	00380	37	389 262 2355	269.295	00380	52
389 262 3354	269.246	00330	56	389 262 3954	269.255	00410	26	389 262 2355	269.295	00410	9
389 262 3354	269.246	00340	47	389 262 6454	269.273	00410	7	389 262 2355	269.295	00410	15
389 262 3354	269.246	00360	52	389 262 6554	269.442	00410	7	389 262 2355	269.295	00410	40
389 262 3354	269.246	00370	55	389 262 7654	269.491	00410	27	389 262 2455	269.521	00410	9
389 262 3354	269.246	00380	52	389 262 7654	269.491	00410	29	389 262 2455	269.521	00410	15
389 262 3354	269.246	00395	36	389 262 7754	269.274	00410	27	389 262 2555	269.232	00280	56
389 262 3354	269.246	00405	36	389 262 7754	269.274	00410	29	389 262 2555	269.232	00315	31
389 262 3354	269.246	00410	9	389 262 7854	269.275	00410	27	389 262 2555	269.232	00330	56
389 262 3354	269.246	00410	9	389 262 7954	269.276	00410	7	389 262 2555	269.232	00340	47
389 262 3354	269.246	00410	15	389 262 7954	269.276	00410	14	389 262 2555	269.232	00360	52
389 262 3354	269.246	00410	40	389 262 9454	See 389 261 0865			389 262 2555	269.232	00370	55
389 262 3454	269.247	00410	9	389 262 9654	269.535	00410	3	389 262 2555	269.232	00380	52
389 262 3454	269.247	00410	15	389 262 0155	269.565	00410	3	389 262 2555	269.232	00395	36
389 262 3554	269.249	00280	56	389 262 0255	269.214	00410	3	389 262 2555	269.232	00405	36
389 262 3554	269.249	00315	31	389 262 0555	269.218	00410	3	389 262 2555	269.232	00410	40
389 262 3554	269.249	00320	66	389 262 0655	269.564	00410	3	389 262 2655	269.233	00280	56
389 262 3554	269.249	00330	56	389 262 0755	269.563	00410	3	389 262 2655	269.233	00315	31
389 262 3554	269.249	00340	47	389 262 0855	269.220	00410	3	389 262 2655	269.233	00320	66
389 262 3554	269.249	00360	52	389 262 0955	269.222	00410	3	389 262 2655	269.233	00330	56
389 262 3554	269.249	00370	55	389 262 1355	269.512	00410	15	389 262 2655	269.233	00340	47
389 262 3554	269.249	00380	52	389 262 1455	269.513	00410	9	389 262 2655	269.233	00360	52
389 262 3554	269.249	00395	36	389 262 1455	269.513	00410	15	389 262 2655	269.233	00370	55
389 262 3554	269.249	00405	36	389 262 1555	269.225	00410	9	389 262 2655	269.233	00380	52
389 262 3554	269.249	00410	9	389 262 1555	269.225	00410	15	389 262 2655	269.233	00395	36
389 262 3554	269.249	00410	15	389 262 1655	269.514	00410	9	389 262 2655	269.233	00405	36
389 262 3554	269.249	00410	15	389 262 1655	269.514	00410	15	389 262 2655	269.233	00410	40
389 262 3554	269.249	00410	40	389 262 1755	269.516	00410	9	389 262 3055	269.239	00410	1
389 262 3654	269.251	00410	9	389 262 1755	269.516	00410	15	389 262 3055	269.239	00410	3
389 262 3654	269.251	00410	15	389 262 1855	269.517	00410	9	389 262 3155	269.524	00410	1
389 262 3754	117.325	00180	37	389 262 1855	269.517	00410	15	389 262 3155	269.524	00410	3
389 262 3754	117.325	00190	43	389 262 1955	269.518	00410	9	389 262 3255	269.525	00410	1
389 262 3754	117.325	00210	43	389 262 2055	269.537	00410	9	389 262 3255	269.525	00410	3
389 262 3754	117.325	00230	42	389 262 2055	269.537	00410	15	389 262 3355	269.526	00410	1

All original equipment manufacturers numbers, symbols, pictures, models and description used in this catalogue are for reference only, and it is implied that any part listed is the product of these manufacturers. Tutti i nostri particolari non sono originali ma con essi intercambiabili. I riferimenti originali, le figure, i modelli sono esposti a semplice titolo indicativo. La nostra produzione riporta il nostro marchio.

MERCEDES Index

MB no.	CEI no.	Tab.	Fig.	MB no.	CEI no.	Tab.	Fig.	MB no.	CEI no.	Tab.	Fig.
389 262 3355	269.526	00410	3	389 262 5555	269.558	00410	1	389 262 1656	269.515	00410	15
389 262 3455	269.527	00410	1	389 262 5555	269.558	00410	3	000 262 8662	269.511	00410	58
389 262 3455	269.527	00410	3	389 262 5655	269.559	00410	1	004 262 0062	269.351	00025	2
389 262 3555	269.250	00410	1	389 262 5655	269.559	00410	3	317 262 4262	169.667	00020	8
389 262 3555	269.250	00410	3	389 262 5755	269.560	00410	1	317 262 4462	269.347	00020	8
389 262 3655	269.528	00410	1	389 262 5755	269.560	00410	3	317 262 4662	269.348	00020	8
389 262 3655	269.528	00410	3	389 262 5855	269.561	00410	1	317 262 4862	269.349	00020	8
389 262 3755	269.529	00410	1	389 262 5855	269.561	00410	3	317 262 5062	269.350	00020	8
389 262 3755	269.529	00410	3	389 262 5955	269.562	00410	1	389 262 0062	167.109	00410	6
389 262 3855	269.530	00410	1	389 262 5955	269.562	00410	3	389 262 0162	169.801	00165	5
389 262 3855	269.530	00410	3	389 262 7755	269.410	00410	1	389 262 0162	169.801	00175	5
389 262 3955	269.531	00410	1	389 262 7855	269.411	00410	1	389 262 0162	169.801	00185	5
389 262 3955	269.531	00410	3	389 262 7955	269.412	00410	1	389 262 0162	169.801	00195	5
389 262 4055	269.256	00410	1	389 262 8055	269.413	00410	1	389 262 0162	169.801	00215	5
389 262 4055	269.256	00410	3	389 262 8155	269.414	00410	1	389 262 0162	169.801	00235	5
389 262 4155	269.532	00410	1	389 262 8255	269.415	00410	1	389 262 0162	169.801	00255	5
389 262 4155	269.532	00410	3	389 262 8355	269.416	00410	1	389 262 0162	169.801	00265	5
389 262 4255	269.546	00410	1	389 262 8455	269.417	00410	1	389 262 0162	169.801	00285	5
389 262 4255	269.546	00410	3	389 262 8555	269.418	00410	1	389 262 0162	169.801	00295	5
389 262 4355	269.533	00410	1	389 262 8655	269.419	00410	1	389 262 0162	169.801	00325	5
389 262 4355	269.533	00410	3	389 262 8855	269.420	00410	1	389 262 0162	169.801	00335	5
389 262 4455	269.547	00410	1	389 262 9055	269.421	00410	1	389 262 0162	169.801	00355	5
389 262 4455	269.547	00410	3	389 262 9355	269.575	00410	15	389 262 0162	169.801	00365	5
389 262 4555	269.548	00410	1	389 262 9455	269.574	00410	15	389 262 0162	169.801	00375	5
389 262 4555	269.548	00410	3	389 262 9555	269.573	00410	15	389 262 0162	169.801	00385	5
389 262 4655	269.549	00410	1	389 262 9755	269.576	00410	15	389 262 0162	169.801	00395	5
389 262 4655	269.549	00410	3	389 262 9855	269.577	00410	15	389 262 0162	169.801	00405	5
389 262 4755	269.550	00410	1	389 262 9955	269.586	00410	15	389 262 0262	169.802	00165	6
389 262 4755	269.550	00410	3	389 262 0056	269.213	00410	15	389 262 0262	169.802	00185	6
389 262 4855	269.551	00410	1	389 262 0156	269.585	00410	15	389 262 0262	169.802	00195	6
389 262 4855	269.551	00410	3	389 262 0256	269.215	00410	15	389 262 0262	169.802	00215	6
389 262 4955	269.552	00410	1	389 262 0356	269.584	00410	15	389 262 0262	169.802	00235	6
389 262 4955	269.552	00410	3	389 262 0456	269.216	00410	15	389 262 0262	169.802	00255	6
389 262 5055	269.553	00410	1	389 262 0556	269.583	00410	15	389 262 0362	167.111	00410	34
389 262 5055	269.553	00410	3	389 262 0656	269.219	00410	15	389 262 0562	See 389 262 0162		
389 262 5155	269.554	00410	1	389 262 0756	269.582	00410	15	389 262 0862	167.118	00410	6
389 262 5155	269.554	00410	3	389 262 0856	269.221	00410	15	389 262 1462	169.803	00265	6
389 262 5255	269.555	00410	1	389 262 0956	269.580	00410	15	389 262 1462	169.803	00285	6
389 262 5255	269.555	00410	3	389 262 1056	269.223	00410	15	389 262 1462	169.803	00295	6
389 262 5355	269.556	00410	1	389 262 1156	269.581	00410	15	389 262 1462	169.803	00325	6
389 262 5355	269.556	00410	3	389 262 1256	269.224	00410	15	389 262 1462	169.803	00335	6
389 262 5455	269.557	00410	1	389 262 1356	269.579	00410	15	389 262 1462	169.803	00355	6
389 262 5455	269.557	00410	3	389 262 1456	269.578	00410	15	389 262 1462	169.803	00365	6

Date

04 / 2011

Table

Index

Index MERCEDES

MB no.	CEI no.	Tab.	Fig.	MB no.	CEI no.	Tab.	Fig.	MB no.	CEI no.	Tab.	Fig.
389 262 1462	169.803	00375	6	387 262 2573	<i>111.315</i>	00410	17	945 262 0073	<i>111.382</i>	00410	13
389 262 1462	169.803	00385	6	387 262 6873	<i>111.316</i>	00410	5	302 262 0174	<i>160.178</i>	00010	10
389 262 1462	169.803	00395	6	387 262 6973	<i>111.317</i>	00410	5	302 262 0174	<i>160.178</i>	00010	22
389 262 1462	169.803	00405	6	387 262 7073	<i>111.318</i>	00410	5	302 262 0174	<i>160.178</i>	00010	33
389 262 1862	<i>269.375</i>	00200	19	387 262 7173	<i>111.319</i>	00410	5	302 262 0174	<i>160.178</i>	00020	14
389 262 1862	<i>269.375</i>	00220	18	387 262 7273	<i>111.320</i>	00410	5	385 262 0674	<i>160.271</i>	00025	12
389 262 1862	<i>269.375</i>	00240	17	387 262 7373	<i>111.321</i>	00410	5	385 262 1074	<i>160.270</i>	00020	36
389 262 1862	<i>269.375</i>	00300	17	387 262 7473	<i>111.322</i>	00410	5	970 262 0274	160.259	00100	8
389 262 6462	<i>See 389 262 0162</i>			387 262 7573	<i>111.323</i>	00410	5	970 262 0274	160.259	00100	22
694 262 0062	<i>See 970 262 0162</i>			387 262 7673	<i>111.324</i>	00410	5	970 262 0274	160.259	00100	37
695 262 0062	<i>See 976 262 0462</i>			387 262 7673	<i>111.324</i>	00410	16	970 262 0274	160.259	00110	24
945 262 0362	<i>269.543</i>	00290	46	387 262 7673	<i>111.324</i>	00410	16	970 262 0274	160.259	00110	36
947 262 0262	<i>See 947 262 0362</i>			387 262 7773	<i>111.325</i>	00410	5	970 262 0274	160.259	00110	45
947 262 0362	269.199	00175	6	387 262 7773	<i>111.325</i>	00410	16	970 262 0274	160.259	00120	9
970 262 0162	<i>269.358</i>	00120	13	387 262 7873	<i>111.326</i>	00410	5	970 262 0274	160.259	00120	23
971 262 0662	<i>109.815</i>	00100	24	387 262 7873	<i>111.326</i>	00410	16	970 262 0274	160.259	00120	36
971 262 0762	<i>109.812</i>	00100	16	387 262 7973	<i>111.327</i>	00410	16	970 262 0274	160.259	00130	11
972 262 0262	<i>269.353</i>	00100	13	387 262 7973	<i>111.327</i>	00410	17	970 262 0274	160.259	00130	23
976 262 0462	<i>269.367</i>	00110	13	387 262 8073	<i>111.328</i>	00410	16	970 262 0274	160.259	00130	38
976 262 0462	<i>269.367</i>	00130	14	387 262 8073	<i>111.328</i>	00410	17	970 262 0274	160.259	00150	10
976 262 0462	<i>269.367</i>	00150	14	387 262 8173	<i>111.329</i>	00410	16	970 262 0274	160.259	00150	24
322 262 0072	<i>187.493</i>	00010	42	387 262 8173	<i>111.329</i>	00410	17	970 262 0274	160.259	00150	39
387 262 0473	<i>111.305</i>	00410	5	387 262 8673	<i>111.330</i>	00410	5	656 262 2582	<i>102.499</i>	00340	10
387 262 0473	<i>111.305</i>	00410	16	387 262 8773	<i>111.331</i>	00410	5	656 262 3282	102.442	00240	5
387 262 0573	<i>111.306</i>	00410	5	387 262 8873	<i>111.332</i>	00410	5	656 262 3282	102.442	00300	5
387 262 0573	<i>111.306</i>	00410	16	387 262 8973	<i>111.333</i>	00410	5	945 262 2482	<i>102.498</i>	00260	13
387 262 0673	<i>111.307</i>	00410	5	387 262 9073	<i>111.334</i>	00410	5	972 262 0089	<i>119.297</i>	00100	18
387 262 0673	<i>111.307</i>	00410	16	387 262 9173	<i>111.335</i>	00410	5	972 262 0189	<i>See 972 262 0089</i>		
387 262 0773	<i>111.308</i>	00410	5	387 262 9273	<i>111.336</i>	00410	5	972 262 0289	<i>See 972 262 0089</i>		
387 262 0773	<i>111.308</i>	00410	16	387 262 9373	<i>111.337</i>	00410	5	389 262 0290	<i>See 389 260 0690</i>		
387 262 0873	<i>111.309</i>	00410	5	389 262 0773	111.209	00235	10	387 262 0693	<i>See 387 262 1093</i>		
387 262 0873	<i>111.309</i>	00410	16	389 262 0773	111.209	00265	11	387 262 0793	<i>See 387 262 0893</i>		
387 262 0973	<i>111.310</i>	00410	5	389 262 0773	111.209	00285	11	387 262 0893	111.205	00030	29
387 262 0973	<i>111.310</i>	00410	16	389 262 0773	111.209	00295	11	387 262 0893	111.205	00040	29
387 262 2073	<i>111.311</i>	00410	16	389 262 0773	111.209	00325	11	387 262 0893	111.205	00050	28
387 262 2073	<i>111.311</i>	00410	17	389 262 0773	111.209	00335	11	387 262 0893	111.205	00060	33
387 262 2173	<i>111.312</i>	00410	16	389 262 0773	111.209	00355	11	387 262 0893	111.205	00070	27
387 262 2173	<i>111.312</i>	00410	17	389 262 0773	111.209	00365	11	387 262 0893	111.205	00080	40
387 262 2373	<i>111.313</i>	00410	16	389 262 0773	111.209	00375	11	387 262 0893	111.205	00090	39
387 262 2373	<i>111.313</i>	00410	17	389 262 0773	111.209	00385	11	387 262 0893	111.205	00140	42
387 262 2473	<i>111.314</i>	00410	16	389 262 0773	111.209	00395	11	387 262 0893	111.205	00160	25
387 262 2473	<i>111.314</i>	00410	17	389 262 0773	111.209	00405	11	387 262 0893	111.205	00180	17
387 262 2573	<i>111.315</i>	00410	16	389 262 0973	<i>111.261</i>	00410	13	387 262 0893	111.205	00190	18

Date

04 / 2011

Table

Index

All original equipment manufacturers numbers, symbols, pictures, models and description used in this catalogue are for reference only, and it is implied that any part listed is the product of these manufacturers. Tutti i nostri particolari non sono originali ma con essi intercambiabili. I riferimenti originali, le figure, i modelli sono esposti a semplice titolo indicativo. La nostra produzione riporta il nostro marchio.

MERCEDES Index

MB no.	CEI no.	Tab.	Fig.	MB no.	CEI no.	Tab.	Fig.	MB no.	CEI no.	Tab.	Fig.
387 262 0893	111.205	00190	30	387 262 1093	111.204	00090	18	389 262 0293	111.206	00285	14
387 262 0893	111.205	00200	33	387 262 1093	111.204	00090	29	389 262 0293	111.206	00295	14
387 262 0893	111.205	00210	18	387 262 1093	111.204	00140	14	389 262 0293	111.206	00315	7
387 262 0893	111.205	00210	30	387 262 1093	111.204	00140	19	389 262 0293	111.206	00325	14
387 262 0893	111.205	00220	33	387 262 1093	111.204	00140	32	389 262 0293	111.206	00335	14
387 262 0893	111.205	00230	19	387 262 1093	111.204	00160	6	389 262 0293	111.206	00355	14
387 262 0893	111.205	00230	29	387 262 1093	111.204	00170	8	389 262 0293	111.206	00365	14
387 262 0893	111.205	00240	32	387 262 1093	111.204	00170	18	389 262 0293	111.206	00375	14
387 262 0893	111.205	00250	17	387 262 1093	111.204	00180	7	389 262 0293	111.206	00385	14
387 262 0893	111.205	00260	25	387 262 1093	111.204	00190	6	389 262 0293	111.206	00395	14
387 262 0893	111.205	00260	37	387 262 1093	111.204	00190	18	389 262 0293	111.206	00405	14
387 262 0893	111.205	00280	19	387 262 1093	111.204	00200	10	383 263 0202	105.235	00010	47
387 262 0893	111.205	00280	29	387 262 1093	111.204	00200	23	385 263 0702	See 385 263 1702		
387 262 0893	111.205	00290	18	387 262 1093	111.204	00210	6	385 263 0902	105.085	00020	57
387 262 0893	111.205	00300	32	387 262 1093	111.204	00210	18	385 263 1602	105.248	00020	61
387 262 0893	111.205	00320	25	387 262 1093	111.204	00220	10	385 263 1702	105.084	00020	56
387 262 0893	111.205	00320	37	387 262 1093	111.204	00220	22	387 263 0102	105.137	00040	50
387 262 0893	111.205	00330	19	387 262 1093	111.204	00230	7	387 263 1102	105.087	00080	61
387 262 0893	111.205	00330	29	387 262 1093	111.204	00240	9	387 263 1702	See 387 263 2902		
387 262 0893	111.205	00340	7	387 262 1093	111.204	00240	21	387 263 1902	105.136	00030	48
387 262 0893	111.205	00350	25	387 262 1093	111.204	00250	7	387 263 1902	105.136	00040	50
387 262 0893	111.205	00350	37	387 262 1093	111.204	00260	10	387 263 2002	105.135	00030	48
387 262 0893	111.205	00360	10	387 262 1093	111.204	00260	25	387 263 2002	105.135	00040	50
387 262 0893	111.205	00370	18	387 262 1093	111.204	00270	6	387 263 2102	105.144	00090	63
387 262 0893	111.205	00370	28	387 262 1093	111.204	00280	10	387 263 2202	105.145	00090	63
387 262 0893	111.205	00380	10	387 262 1093	111.204	00290	8	387 263 2602	105.143	00070	50
387 262 0893	111.205	00390	6	387 262 1093	111.204	00300	9	387 263 2702	105.141	00070	50
387 262 0893	111.205	00400	6	387 262 1093	111.204	00300	21	387 263 2802	105.139	00050	50
387 262 0993	See 387 262 1093			387 262 1093	111.204	00310	6	387 263 2902	105.138	00040	50
387 262 1093	111.204	00030	7	387 262 1093	111.204	00320	10	387 263 2902	105.138	00050	50
387 262 1093	111.204	00030	19	387 262 1093	111.204	00330	10	387 263 3002	105.142	00070	50
387 262 1093	111.204	00040	7	387 262 1093	111.204	00350	10	387 263 3402	See 387 263 2802		
387 262 1093	111.204	00040	19	387 262 1093	111.204	00350	25	389 263 0102	105.127	00160	44
387 262 1093	111.204	00050	7	387 262 1093	111.204	00370	8	389 263 0302	105.130	00190	48
387 262 1093	111.204	00050	18	389 262 0293	111.206	00165	11	389 263 0302	105.130	00210	48
387 262 1093	111.204	00060	10	389 262 0293	111.206	00175	11	389 263 0702	105.128	00160	44
387 262 1093	111.204	00060	23	389 262 0293	111.206	00185	11	389 263 0802	105.131	00190	48
387 262 1093	111.204	00070	7	389 262 0293	111.206	00195	11	389 263 0802	105.131	00210	48
387 262 1093	111.204	00070	18	389 262 0293	111.206	00215	11	389 263 0802	105.131	00230	47
387 262 1093	111.204	00080	6	389 262 0293	111.206	00235	13	389 263 0902	105.129	00180	42
387 262 1093	111.204	00080	18	389 262 0293	111.206	00255	11	389 263 0902	105.129	00250	42
387 262 1093	111.204	00080	30	389 262 0293	111.206	00265	14	389 263 1102	105.140	00060	54
387 262 1093	111.204	00090	7	389 262 0293	111.206	00275	7	389 263 2102	See 389 263 2702		

Date

04 / 2011

Table

Index

Index MERCEDES

MB no.	CEI no.	Tab.	Fig.	MB no.	CEI no.	Tab.	Fig.	MB no.	CEI no.	Tab.	Fig.
389 263 2302	See 389 263 2702			387 263 1210	146.519	00070	47	930 263 2610	146.718	00380	42
389 263 2402	See 389 263 2702			387 263 1310	146.729	00070	47	945 263 0510	146.505	00370	44
389 263 2702	105.244	00200	54	387 263 1410	146.339	00080	57	945 263 0810	146.499	00260	54
389 263 2702	105.244	00220	55	387 263 1510	146.512	00030	45	945 263 0810	146.499	00320	54
389 263 2702	105.244	00240	52	387 263 1510	146.512	00040	47	945 263 0810	146.499	00350	54
389 263 2702	105.244	00300	52	387 263 1510	146.512	00090	60	945 263 1110	146.504	00280	45
656 263 0102	105.254	00340	39	387 263 1810	146.510	00030	45	945 263 1110	146.504	00330	45
694 263 0002	See 970 263 0702			387 263 1810	146.510	00040	47	947 263 2110	146.719	00310	29
930 263 0202	105.260	00360	44	387 263 1810	146.510	00090	60	947 263 2910	146.696	00270	29
930 263 0202	105.260	00380	44	387 263 2010	146.520	00090	56	970 263 0410	See 970 263 0610		
930 263 0602	105.255	00360	44	387 263 2110	See 387 263 2410			970 263 0610	146.636	00110	48
930 263 0602	105.255	00380	44	387 263 2310	See 387 263 2510			970 263 0610	146.636	00120	48
945 263 2202	105.133	00290	39	387 263 2410	146.340	00050	47	975 263 0110	See 976 263 1210		
945 263 2902	105.132	00260	56	387 263 2510	146.514	00040	47	976 263 0710	146.580	00140	59
945 263 2902	105.132	00280	47	387 263 2510	146.514	00050	47	976 263 0810	See 976 263 1510		
945 263 2902	105.132	00320	56	387 263 2710	146.517	00070	47	976 263 1110	See 976 263 1210		
945 263 2902	105.132	00330	47	389 263 0310	See 389 263 0910			976 263 1210	145.966	00130	52
945 263 2902	105.132	00350	56	389 263 0410	146.502	00190	46	976 263 1510	146.579	00140	58
945 263 2902	105.132	00370	46	389 263 0410	146.502	00210	46	976 263 1710	See 976 263 0710		
947 263 0702	105.205	00170	38	389 263 0510	146.500	00160	42	947 263 0111	145.964	00170	37
947 263 2402	105.243	00270	31	389 263 0610	146.501	00160	42	930 263 0112	146.723	00400	30
947 263 2402	105.243	00310	31	389 263 0910	146.503	00190	46	947 263 0312	146.695	00270	30
960 263 0002	105.261	00380	44	389 263 0910	146.503	00210	46	947 263 0312	146.695	00310	30
970 263 0702	105.204	00110	51	389 263 1110	146.478	00190	46	302 263 0313	143.082	00010	46
970 263 0702	105.204	00120	51	389 263 1110	146.478	00210	46	307 263 0413	See 307 263 0513		
970 263 0702	105.204	00130	55	389 263 1110	146.478	00230	45	307 263 0513	143.078	00010	46
970 263 0702	105.204	00150	51	389 263 1210	146.477	00190	46	385 263 0113	143.086	00020	55
970 263 0802	See 970 263 0702			389 263 1210	146.477	00210	46	387 263 0513	See 387 263 1313		
971 263 0102	See 971 263 0202			389 263 1310	146.493	00060	51	387 263 0613	143.110	00030	47
971 263 0202	105.249	00100	51	389 263 1910	145.974	00240	49	387 263 0613	143.110	00040	49
972 263 0902	See 971 263 0202			389 263 1910	145.974	00300	49	387 263 0613	143.110	00090	62
972 263 1002	See 971 263 0202			389 263 2110	See 389 263 2910			387 263 0713	143.088	00040	49
972 263 1102	See 971 263 0202			389 263 2510	See 389 263 2910			387 263 0713	143.088	00080	60
975 263 0102	See 970 263 0702			389 263 2710	See 389 263 1910			387 263 0913	See 387 263 1113		
976 263 0402	105.198	00140	62	389 263 2910	146.698	00200	51	387 263 1013	See 387 263 1213		
302 263 0310	See 383 263 0010			389 263 2910	146.698	00220	52	387 263 1113	143.089	00050	49
302 263 0410	146.325	00010	44	444 263 0010	146.709	00150	48	387 263 1213	143.111	00040	49
307 263 0110	146.684	00010	44	656 263 0410	143.145	00340	38	387 263 1213	143.111	00050	49
383 263 0010	146.326	00010	44	656 263 0610	146.712	00340	37	387 263 1313	143.109	00030	47
385 263 0110	143.085	00020	54	694 263 0010	See 970 263 0610			387 263 1313	143.109	00040	49
385 263 0810	143.141	00020	60	695 263 0010	See 976 263 1210			387 263 1313	143.109	00090	62
387 263 0110	146.513	00040	47	930 263 1910	146.722	00400	29	389 263 0013	See 389 263 0313		
387 263 0110	146.513	00080	58	930 263 2510	146.714	00360	42	389 263 0313	143.107	00190	47

All original equipment manufacturers numbers, symbols, pictures, models and description used in this catalogue are for reference only, and it is not implied that any part listed is the product of these manufacturers. Tutti i nostri particolari non sono originali ma con essi intercambiabili. I riferimenti originali, le figure, i modelli sono esposti a semplice titolo indicativo. La nostra produzione riporta il nostro marchio.

MERCEDES Index

MB no.	CEI no.	Tab.	Fig.	MB no.	CEI no.	Tab.	Fig.	MB no.	CEI no.	Tab.	Fig.
389 263 0313	143.107	00210	47	972 263 1013	See 972 263 1113			972 263 1016	See 972 263 1116		
389 263 0813	See 389 263 1513			972 263 1113	143.142	00100	50	972 263 1116	143.143	00100	49
389 263 0913	See 389 263 1013			975 263 0113	See 970 263 0713			975 263 0116	See 976 263 0216		
389 263 1013	143.099	00190	47	976 263 0213	See 389 263 2113			976 263 0016	See 976 263 0216		
389 263 1013	143.099	00210	47	302 263 0314	146.324	00010	45	976 263 0216	145.965	00130	53
389 263 1113	143.106	00180	41	307 263 0314	See 307 263 0614			383 263 0230	107.229	00010	48
389 263 1113	143.106	00250	41	307 263 0414	See 307 263 0614			385 263 0130	107.130	00020	63
389 263 1413	143.100	00190	47	307 263 0614	146.300	00010	45	387 263 0530	107.237	00030	53
389 263 1413	143.100	00210	47	337 263 0714	See 307 263 0614			387 263 0530	107.237	00040	55
389 263 1413	143.100	00230	46	387 263 0514	143.113	00070	49	387 263 0530	107.237	00050	55
389 263 1513	143.105	00160	43	387 263 0614	143.150	00070	49	387 263 0530	107.237	00070	55
389 263 1613	See 389 263 2113			387 263 0914	143.112	00070	49	387 263 0530	107.237	00090	67
389 263 1813	143.103	00350	55	387 263 0015	146.509	00030	46	387 263 0630	107.179	00040	55
389 263 1913	143.101	00260	55	387 263 0015	146.509	00040	48	387 263 0630	107.179	00080	66
389 263 2113	143.098	00060	53	387 263 0015	146.509	00090	61	387 263 0730	107.181	00070	55
389 263 2113	143.098	00140	61	387 263 0115	146.338	00040	48	387 263 0830	107.178	00030	53
389 263 2513	See 389 263 2113			387 263 0115	146.338	00080	59	387 263 0830	107.178	00040	55
389 263 2713	See 656 263 0013			387 263 0215	146.511	00030	46	387 263 0830	107.178	00050	55
389 263 2813	See 656 263 0013			387 263 0215	146.511	00040	48	387 263 0830	107.178	00090	67
389 263 3013	See 656 263 0013			387 263 0215	146.511	00090	61	387 263 1430	107.177	00030	53
656 263 0013	143.138	00200	53	387 263 0515	See 387 263 0715			387 263 1430	107.177	00040	55
656 263 0013	143.138	00220	54	387 263 0615	See 387 263 0815			387 263 1430	107.177	00050	55
656 263 0013	143.138	00240	51	387 263 0715	146.494	00050	48	387 263 1430	107.177	00070	55
656 263 0013	143.138	00300	51	387 263 0815	146.515	00040	48	387 263 1430	107.177	00090	67
694 263 0013	See 970 263 0713			387 263 0815	146.515	00050	48	389 263 0130	107.172	00160	50
695 263 0013	See 970 263 1013			389 263 0115	146.495	00060	52	389 263 0330	107.173	00180	48
945 263 1013	143.102	00260	55	389 263 0415	See 389 263 0915			389 263 0330	107.173	00250	48
945 263 1013	143.102	00280	46	389 263 0815	See 389 263 0915			389 263 0430	107.239	00190	54
945 263 1013	143.102	00320	55	389 263 0915	146.697	00200	52	389 263 0430	107.239	00210	54
945 263 1013	143.102	00330	46	389 263 0915	146.697	00220	53	389 263 0430	107.239	00230	53
945 263 1813	143.108	00290	38	694 263 0015	See 970 263 0615			389 263 0430	107.239	00260	61
945 263 3213	143.104	00350	55	970 263 0515	See 970 263 0615			389 263 0430	107.239	00320	61
945 263 3213	143.104	00370	45	970 263 0615	146.637	00110	49	389 263 0430	107.239	00350	61
945 263 5713	143.147	00380	43	970 263 0615	146.637	00120	49	389 263 0730	See 976 263 0330		
947 263 0413	143.131	00170	36	976 263 0215	See 976 263 0615			694 263 0030	See 970 263 0230		
947 263 0513	See 947 263 0413			976 263 0615	146.578	00140	60	970 263 0230	107.233	00150	55
947 263 1613	143.146	00360	43	387 263 0316	146.518	00070	48	972 263 0030	107.231	00100	53
970 263 0613	See 970 263 0713			387 263 0416	146.516	00070	48	976 263 0030	107.174	00140	68
970 263 0713	143.137	00110	50	389 263 0116	145.975	00240	50	976 263 0030	107.174	00170	42
970 263 0713	143.137	00120	50	389 263 0116	145.975	00300	50	976 263 0030	107.174	00190	54
970 263 0713	143.137	00130	54	444 263 0016	146.707	00150	49	976 263 0030	107.174	00210	54
970 263 1013	143.144	00150	50	695 263 0016	See 976 263 0216			976 263 0030	107.174	00230	53
972 263 0913	See 972 263 1113			972 263 0916	See 972 263 1116			976 263 0030	107.174	00260	61

Date

04 / 2011

Table

Index

Index **MERCEDES**

MB no.	CEI no.	Tab.	Fig.	MB no.	CEI no.	Tab.	Fig.	MB no.	CEI no.	Tab.	Fig.
976 263 0030	107.174	00270	36	389 263 0531	147.280	00250	45	385 263 0333	147.265	00020	46
976 263 0030	107.174	00280	52	389 263 0931	147.183	00060	57	385 263 0533	145.419	00020	32
976 263 0030	107.174	00290	44	389 263 1031	147.162	00260	58	389 263 0041	188.245	00190	55
976 263 0030	107.174	00310	36	389 263 1031	147.162	00280	49	389 263 0041	188.245	00210	55
976 263 0030	107.174	00320	61	389 263 1031	147.162	00320	58	389 263 0041	188.245	00230	54
976 263 0030	107.174	00330	52	389 263 1031	147.162	00330	49	389 263 0041	188.245	00260	62
976 263 0030	107.174	00350	61	389 263 1031	147.162	00350	58	389 263 0041	188.245	00320	62
976 263 0030	107.174	00360	49	389 263 1031	147.162	00360	46	389 263 0041	188.245	00350	62
976 263 0030	107.174	00370	51	389 263 1031	147.162	00370	48	389 263 0241	See 976 263 0041		
976 263 0030	107.174	00380	49	389 263 1031	147.162	00380	46	945 263 0041	188.236	00160	51
976 263 0030	107.174	00390	36	389 263 1431	147.154	00160	47	945 263 0041	188.236	00180	49
976 263 0030	107.174	00400	36	389 263 1531	147.158	00190	51	945 263 0041	188.236	00190	55
976 263 0330	107.180	00060	59	389 263 1531	147.158	00210	51	945 263 0041	188.236	00210	55
976 263 0330	107.180	00200	59	389 263 1531	147.158	00230	50	945 263 0041	188.236	00230	54
976 263 0330	107.180	00220	60	389 263 1631	147.155	00180	45	945 263 0041	188.236	00250	49
976 263 0330	107.180	00240	57	389 263 1631	147.155	00250	45	945 263 0041	188.236	00260	62
976 263 0330	107.180	00300	57	389 263 1831	147.281	00200	58	945 263 0041	188.236	00280	53
976 263 0330	107.180	00340	45	389 263 1931	147.282	00200	58	945 263 0041	188.236	00290	45
383 263 0031	147.114	00010	50	389 263 1931	147.282	00220	59	945 263 0041	188.236	00320	62
385 263 0731	147.268	00020	66	389 263 1931	147.282	00240	56	945 263 0041	188.236	00330	53
385 263 0831	147.267	00020	66	389 263 1931	147.282	00300	56	945 263 0041	188.236	00350	62
385 263 1131	147.266	00020	66	656 263 0131	147.277	00340	43	945 263 0041	188.236	00360	50
387 263 0631	147.171	00030	52	694 263 0031	See 970 263 0331			945 263 0041	188.236	00370	52
387 263 0631	147.171	00040	54	694 263 0131	See 970 263 0331			945 263 0041	188.236	00380	50
387 263 0631	147.171	00090	66	930 263 0031	147.283	00390	33	976 263 0041	188.238	00060	60
387 263 0831	See 387 263 1531			930 263 0031	147.283	00400	33	387 263 0050	117.344	00090	57
387 263 1031	147.182	00070	54	945 263 0231	147.166	00290	41	387 263 0550	117.343	00090	59
387 263 1131	147.118	00040	54	947 263 0731	147.274	00170	39	387 263 0650	117.441	00070	52
387 263 1131	147.118	00080	65	947 263 1431	147.258	00270	33	387 263 0750	117.340	00070	52
387 263 1231	147.169	00030	52	947 263 1431	147.258	00310	33	387 263 0850	117.332	00030	50
387 263 1231	147.169	00040	54	970 263 0231	See 970 263 0331			387 263 0850	117.332	00040	52
387 263 1231	147.169	00090	66	970 263 0331	147.273	00110	53	387 263 0850	117.332	00050	52
387 263 1331	See 387 263 1631			970 263 0331	147.273	00120	53	387 263 0850	117.332	00080	63
387 263 1431	147.187	00070	54	970 263 0331	147.273	00130	57	387 263 0850	117.332	00090	64
387 263 1531	147.180	00050	54	970 263 0331	147.273	00150	53	387 263 0950	117.430	00030	50
387 263 1631	147.174	00040	54	972 263 0531	See 972 263 0831			387 263 0950	117.430	00040	52
387 263 1631	147.174	00050	54	972 263 0631	See 972 263 0831			387 263 0950	117.430	00050	52
387 263 1831	147.188	00070	54	972 263 0731	See 972 263 0831			387 263 0950	117.430	00090	64
389 263 0131	147.278	00160	47	972 263 0831	147.271	00100	54	387 263 1150	117.338	00070	52
389 263 0331	147.279	00190	51	974 263 0131	See 972 263 0831			387 263 1250	117.331	00030	50
389 263 0331	147.279	00210	51	976 263 0031	147.272	00140	65	387 263 1250	117.331	00040	52
389 263 0331	147.279	00230	50	385 263 0033	See 385 263 0533			387 263 1250	117.331	00050	52
389 263 0531	147.280	00180	45	385 263 0133	145.418	00020	32	387 263 1250	117.331	00090	64

All original equipment manufacturers numbers, symbols, pictures, models and description used in this catalogue are for reference only, and it is implied that any part listed is the product of these manufacturers. Tutti i nostri particolari non sono originali ma con essi intercambiabili. I riferimenti originali, le figure, i modelli sono esposti a semplice titolo indicativo. La nostra produzione riporta il nostro marchio.

MERCEDES Index

MB no.	CEI no.	Tab.	Fig.	MB no.	CEI no.	Tab.	Fig.	MB no.	CEI no.	Tab.	Fig.
389 263 0050	117.414	00180	47	387 263 3452	169.844	00190	62	389 263 4752	269.592	00410	19
389 263 0050	117.414	00190	53	387 263 3452	169.844	00210	62	389 263 4752	269.592	00410	36
389 263 0050	117.414	00210	53	387 263 3452	169.844	00260	66	389 263 4952	269.540	00410	19
389 263 0050	117.414	00230	52	387 263 3452	169.844	00410	45	389 263 4952	269.540	00410	36
389 263 0050	117.414	00250	47	387 263 3552	139.819	00160	58	389 263 5052	269.284	00410	19
389 263 0050	117.414	00410	38	387 263 3552	139.819	00190	62	389 263 5052	269.284	00410	36
389 263 0150	117.442	00160	49	387 263 3552	139.819	00210	62	389 263 5252	269.430	00410	3
389 263 0150	117.442	00410	38	387 263 3552	139.819	00260	66	389 263 5252	269.430	00410	3
389 263 0650	117.435	00060	56	387 263 3552	139.819	00410	45	389 263 5252	269.430	00410	4
389 263 0650	117.435	00200	56	387 263 3752	139.820	00160	58	389 263 5352	269.285	00410	3
389 263 0650	117.435	00220	57	387 263 3752	139.820	00190	62	389 263 5352	269.285	00410	4
389 263 0650	117.435	00240	54	387 263 3752	139.820	00210	62	389 263 5452	269.431	00410	3
389 263 0650	117.435	00300	54	387 263 3752	139.820	00260	66	389 263 5452	269.431	00410	4
389 263 0650	117.435	00340	41	387 263 3752	139.820	00410	45	389 263 5552	269.432	00410	3
389 263 0850	117.324	00180	47	389 263 0552	269.279	00410	19	389 263 5552	269.432	00410	4
389 263 0850	117.324	00190	53	389 263 0552	269.279	00410	36	389 263 5652	269.433	00410	3
389 263 0850	117.324	00210	53	389 263 1952	269.495	00410	36	389 263 5652	269.433	00410	4
389 263 0850	117.324	00230	52	389 263 2052	269.496	00410	36	389 263 5752	269.434	00410	3
389 263 0850	117.324	00250	47	389 263 2152	269.497	00410	36	389 263 5752	269.434	00410	4
389 263 0850	117.324	00260	60	389 263 2252	269.498	00410	36	389 263 5852	269.435	00410	3
389 263 0850	117.324	00280	51	389 263 2352	269.499	00410	36	389 263 5852	269.435	00410	4
389 263 0850	117.324	00290	43	389 263 2452	269.500	00410	36	389 263 5952	269.436	00410	3
389 263 0850	117.324	00320	60	389 263 2552	269.501	00410	36	389 263 5952	269.436	00410	4
389 263 0850	117.324	00330	51	389 263 2652	269.502	00410	36	389 263 6052	269.437	00410	3
389 263 0850	117.324	00350	60	389 263 2752	269.503	00410	36	389 263 6052	269.437	00410	4
389 263 0850	117.324	00360	48	389 263 2852	269.504	00410	36	389 263 6152	269.438	00410	3
389 263 0850	117.324	00370	50	389 263 3252	269.422	00410	3	389 263 6152	269.438	00410	4
389 263 0850	117.324	00380	48	389 263 3252	269.422	00410	4	389 263 6252	269.439	00410	3
389 263 0850	117.324	00390	35	389 263 3352	269.423	00410	9	389 263 6252	269.439	00410	4
389 263 0850	117.324	00400	35	389 263 4052	269.280	00410	19	389 263 6352	269.286	00410	3
389 263 0850	117.324	00410	38	389 263 4052	269.280	00410	36	389 263 6352	269.286	00410	4
389 263 0950	117.323	00160	49	389 263 4152	269.590	00410	19	389 263 6452	269.440	00410	3
389 263 0950	117.323	00410	38	389 263 4152	269.590	00410	36	389 263 6452	269.440	00410	4
947 263 0050	117.437	00170	41	389 263 4252	269.281	00410	19	389 263 6552	269.458	00410	3
947 263 0050	117.437	00270	35	389 263 4252	269.281	00410	36	389 263 6552	269.458	00410	4
947 263 0050	117.437	00310	35	389 263 4352	269.591	00410	19	389 263 6652	269.459	00410	3
976 263 0050	117.431	00140	67	389 263 4352	269.591	00410	36	389 263 6652	269.459	00410	4
387 263 3352	139.818	00160	58	389 263 4452	269.282	00410	19	389 263 6752	269.460	00410	3
387 263 3352	139.818	00190	62	389 263 4452	269.282	00410	36	389 263 6752	269.460	00410	4
387 263 3352	139.818	00210	62	389 263 4552	269.538	00410	19	389 263 6852	269.461	00410	3
387 263 3352	139.818	00260	66	389 263 4552	269.538	00410	36	389 263 6852	269.461	00410	4
387 263 3352	139.818	00410	45	389 263 4652	269.283	00410	19	389 263 6952	269.462	00410	3
387 263 3452	169.844	00160	58	389 263 4652	269.283	00410	36	389 263 6952	269.462	00410	4

Date

04 / 2011

Table

Index

Index MERCEDES

MB no.	CEI no.	Tab.	Fig.	MB no.	CEI no.	Tab.	Fig.	MB no.	CEI no.	Tab.	Fig.
389 263 7052	269.463	00410	3	389 263 0062	269.278	00410	36	389 264 0730	109.342	00265	20
389 263 7052	269.463	00410	4	389 263 0062	269.278	00410	37	389 264 0730	109.342	00285	19
389 263 7152	269.464	00410	3	389 263 0162	169.806	00060	55	389 264 0730	109.342	00295	19
389 263 7152	269.464	00410	4	971 263 0066	189.686	00100	57	389 264 0730	109.342	00325	20
389 263 7252	269.465	00410	3	947 264 0005	See 389 269 1210			389 264 0730	109.342	00335	19
389 263 7252	269.465	00410	4	629 264 0020	244.041	00060	65	389 264 0730	109.342	00355	20
389 263 7352	269.287	00410	3	930 264 0120	109.794	00265	20	389 264 0730	109.342	00365	20
389 263 7352	269.287	00410	4	930 264 0120	109.794	00285	19	389 264 0730	109.342	00375	20
389 263 7452	269.466	00410	3	930 264 0120	109.794	00295	19	389 264 0730	109.342	00385	20
389 263 7452	269.466	00410	4	930 264 0120	109.794	00325	20	387 264 1945	197.085	00265	24
389 263 7552	269.467	00410	3	930 264 0220	109.830	00325	20	387 264 1945	197.085	00285	24
389 263 7552	269.467	00410	4	930 264 0220	109.830	00355	20	387 264 1945	197.085	00295	24
389 263 7652	269.468	00410	3	930 264 0220	109.830	00375	20	387 264 1945	197.085	00325	24
389 263 7652	269.468	00410	4	930 264 0320	196.369	00265	20	387 264 1945	197.085	00335	24
389 263 7752	269.469	00410	3	930 264 0320	196.369	00285	19	387 264 1945	197.085	00355	24
389 263 7752	269.469	00410	4	930 264 0320	196.369	00295	19	387 264 1945	197.085	00365	24
389 263 7852	269.470	00410	3	930 264 0320	196.369	00325	20	387 264 1945	197.085	00375	24
389 263 7852	269.470	00410	4	930 264 0320	196.369	00335	19	387 264 1945	197.085	00385	24
389 263 7952	269.471	00410	3	930 264 0320	196.369	00365	20	387 264 2045	197.207	00265	24
389 263 7952	269.471	00410	4	930 264 0320	196.369	00385	20	387 264 2045	197.207	00285	24
389 263 8052	269.472	00410	3	930 264 0320	196.369	00395	20	387 264 2045	197.207	00295	24
389 263 8052	269.472	00410	4	930 264 0320	196.369	00405	20	387 264 2045	197.207	00325	24
389 263 8152	269.473	00410	3	930 264 0420	196.370	00355	20	387 264 2045	197.207	00335	24
389 263 8152	269.473	00410	4	930 264 0420	196.370	00365	20	387 264 2045	197.207	00355	24
389 263 8252	269.474	00410	3	930 264 0420	196.370	00375	20	387 264 2045	197.207	00365	24
389 263 8252	269.474	00410	4	930 264 0420	196.370	00385	20	387 264 2045	197.207	00375	24
389 263 8352	269.288	00410	3	930 264 0420	196.370	00395	20	387 264 2045	197.207	00385	24
389 263 8352	269.288	00410	4	930 264 0420	196.370	00405	20	387 264 2445	197.186	00060	49
389 263 8452	269.475	00410	3	945 264 0420	109.341	00355	20	387 264 2445	197.186	00200	49
389 263 8452	269.475	00410	4	945 264 0420	109.341	00375	20	387 264 2445	197.186	00300	47
389 263 8552	269.476	00410	3	945 264 0520	109.793	00265	20	387 264 3245	197.190	00060	49
389 263 8552	269.476	00410	4	945 264 0520	109.793	00285	19	387 264 3245	197.190	00200	49
389 263 8652	269.477	00410	3	945 264 0520	109.793	00295	19	387 264 3445	197.188	00060	49
389 263 8652	269.477	00410	4	945 264 0520	109.793	00325	20	387 264 3445	197.188	00200	49
389 263 8852	269.598	00410	36	945 264 0520	109.793	00335	19	387 264 3445	197.188	00300	47
385 263 0353	269.352	00020	64	945 264 0520	109.793	00355	20	000 264 0951	111.353	00410	35
385 263 0062	269.366	00020	67	945 264 0520	109.793	00365	20	387 265 0049	See 389 265 2449		
389 263 0062	269.278	00160	46	945 264 0520	109.793	00375	20	M387 265 0049	See M389 265 2449		
389 263 0062	269.278	00180	44	945 264 0520	109.793	00385	20	389 265 0849	See 389 265 2349		
389 263 0062	269.278	00190	50	945 264 0620	109.831	00355	20	M389 265 0849	See M389 265 2349		
389 263 0062	269.278	00210	50	945 264 0620	109.831	00375	20	389 265 0949	See 389 265 2449		
389 263 0062	269.278	00230	49	947 264 0020	196.441	00175	16	M389 265 0949	See M389 265 2449		
389 263 0062	269.278	00250	44	947 264 0420	109.792	00275	11	389 265 1049	See 945 265 0149		

Date

04 / 2011

Table

Index

All original equipment manufacturers numbers, symbols, pictures, models and description used in this catalogue are for reference only, and it is implied that any part listed is the product of these manufacturers. Tutti i nostri particolari non sono originali ma con essi intercambiabili. I riferimenti originali, le figure, i modelli sono esposti a semplice titolo indicativo. La nostra produzione riporta il nostro marchio.

MERCEDES Index

MB no.	CEI no.	Tab.	Fig.	MB no.	CEI no.	Tab.	Fig.	MB no.	CEI no.	Tab.	Fig.
389 265 1149	See 389 265 2349			M389 265 2349	141.220	00050	34	389 265 2449	141.162	00375	33
M389 265 1149	See M389 265 2349			M389 265 2349	141.220	00050	45	389 265 2449	141.162	00385	33
389 265 1249	See 389 265 2449			M389 265 2349	141.220	00070	33	M389 265 2449	141.219	00090	12
M389 265 1249	See M389 265 2449			M389 265 2349	141.220	00070	35	M389 265 2449	141.219	00160	12
389 265 1349	See 945 265 0149			M389 265 2349	141.220	00070	56	M389 265 2449	141.219	00165	29
389 265 1449	See 947 265 0349			M389 265 2349	141.220	00080	24	M389 265 2449	141.219	00175	19
389 265 2349	141.161	00030	12	M389 265 2349	141.220	00080	35	M389 265 2449	141.219	00185	29
389 265 2349	141.161	00030	24	M389 265 2349	141.220	00080	45	M389 265 2449	141.219	00190	12
389 265 2349	141.161	00030	33	M389 265 2349	141.220	00090	34	M389 265 2449	141.219	00195	29
389 265 2349	141.161	00040	13	M389 265 2349	141.220	00090	45	M389 265 2449	141.219	00210	12
389 265 2349	141.161	00040	24	M389 265 2349	141.220	00090	68	M389 265 2449	141.219	00215	29
389 265 2349	141.161	00040	35	M389 265 2349	141.220	00160	19	M389 265 2449	141.219	00230	13
389 265 2349	141.161	00050	23	M389 265 2349	141.220	00160	30	M389 265 2449	141.219	00235	31
389 265 2349	141.161	00050	34	M389 265 2349	141.220	00180	22	M389 265 2449	141.219	00255	29
389 265 2349	141.161	00050	45	M389 265 2349	141.220	00180	39	M389 265 2449	141.219	00265	33
389 265 2349	141.161	00070	33	M389 265 2349	141.220	00190	25	M389 265 2449	141.219	00285	33
389 265 2349	141.161	00070	35	M389 265 2349	141.220	00190	35	M389 265 2449	141.219	00295	33
389 265 2349	141.161	00070	56	M389 265 2349	141.220	00210	25	M389 265 2449	141.219	00325	33
389 265 2349	141.161	00080	24	M389 265 2349	141.220	00210	35	M389 265 2449	141.219	00335	33
389 265 2349	141.161	00080	35	M389 265 2349	141.220	00230	24	M389 265 2449	141.219	00355	33
389 265 2349	141.161	00080	45	M389 265 2349	141.220	00230	34	M389 265 2449	141.219	00365	33
389 265 2349	141.161	00090	34	M389 265 2349	141.220	00250	22	M389 265 2449	141.219	00375	33
389 265 2349	141.161	00090	45	M389 265 2349	141.220	00250	39	M389 265 2449	141.219	00385	33
389 265 2349	141.161	00090	68	389 265 2449	141.162	00080	67	389 265 2749	See 947 265 0349		
389 265 2349	141.161	00160	19	389 265 2449	141.162	00090	12	M389 265 2749	See M947 265 0349		
389 265 2349	141.161	00160	30	389 265 2449	141.162	00160	12	945 265 0149	141.160	00030	36
389 265 2349	141.161	00180	22	389 265 2449	141.162	00165	29	945 265 0149	141.160	00040	41
389 265 2349	141.161	00180	39	389 265 2449	141.162	00175	19	945 265 0149	141.160	00050	40
389 265 2349	141.161	00190	25	389 265 2449	141.162	00185	29	945 265 0149	141.160	00060	67
389 265 2349	141.161	00190	35	389 265 2449	141.162	00190	12	945 265 0149	141.160	00070	57
389 265 2349	141.161	00210	25	389 265 2449	141.162	00195	29	945 265 0149	141.160	00080	51
389 265 2349	141.161	00210	35	389 265 2449	141.162	00210	12	945 265 0149	141.160	00090	69
389 265 2349	141.161	00230	24	389 265 2449	141.162	00215	29	945 265 0149	141.160	00140	81
389 265 2349	141.161	00230	34	389 265 2449	141.162	00230	13	945 265 0149	141.160	00160	34
389 265 2349	141.161	00250	22	389 265 2449	141.162	00235	31	945 265 0149	141.160	00180	34
389 265 2349	141.161	00250	39	389 265 2449	141.162	00255	29	945 265 0149	141.160	00190	39
M389 265 2349	141.220	00030	12	389 265 2449	141.162	00265	33	945 265 0149	141.160	00200	45
M389 265 2349	141.220	00030	24	389 265 2449	141.162	00285	33	945 265 0149	141.160	00210	39
M389 265 2349	141.220	00030	33	389 265 2449	141.162	00295	33	945 265 0149	141.160	00220	46
M389 265 2349	141.220	00040	13	389 265 2449	141.162	00325	33	945 265 0149	141.160	00230	38
M389 265 2349	141.220	00040	24	389 265 2449	141.162	00335	33	945 265 0149	141.160	00250	34
M389 265 2349	141.220	00040	35	389 265 2449	141.162	00355	33	945 265 0149	141.160	00260	47
M389 265 2349	141.220	00050	23	389 265 2449	141.162	00365	33	945 265 0149	141.160	00280	43

Date

04 / 2011

Table

Index

Index MERCEDES

MB no.	CEI no.	Tab.	Fig.	MB no.	CEI no.	Tab.	Fig.	MB no.	CEI no.	Tab.	Fig.
945 265 0149	141.160	00290	32	947 265 0349	141.165	00320	14	M947 265 0349	141.221	00265	33
945 265 0149	141.160	00320	47	947 265 0349	141.165	00320	43	M947 265 0349	141.221	00275	21
945 265 0149	141.160	00330	43	947 265 0349	141.165	00320	64	M947 265 0349	141.221	00280	14
945 265 0149	141.160	00340	54	947 265 0349	141.165	00325	33	M947 265 0349	141.221	00280	24
945 265 0149	141.160	00350	47	947 265 0349	141.165	00330	14	M947 265 0349	141.221	00285	33
945 265 0149	141.160	00360	40	947 265 0349	141.165	00330	24	M947 265 0349	141.221	00290	15
945 265 0149	141.160	00370	37	947 265 0349	141.165	00330	34	M947 265 0349	141.221	00290	24
945 265 0149	141.160	00380	40	947 265 0349	141.165	00335	33	M947 265 0349	141.221	00295	33
947 265 0249	<i>See 945 265 0149</i>			947 265 0349	141.165	00340	52	M947 265 0349	141.221	00300	15
947 265 0349	141.165	00060	16	947 265 0349	141.165	00350	14	M947 265 0349	141.221	00300	26
947 265 0349	141.165	00060	28	947 265 0349	141.165	00350	43	M947 265 0349	141.221	00300	37
947 265 0349	141.165	00060	40	947 265 0349	141.165	00350	64	M947 265 0349	141.221	00315	21
947 265 0349	141.165	00140	74	947 265 0349	141.165	00355	33	M947 265 0349	141.221	00320	14
947 265 0349	141.165	00140	80	947 265 0349	141.165	00360	14	M947 265 0349	141.221	00320	43
947 265 0349	141.165	00170	13	947 265 0349	141.165	00365	33	M947 265 0349	141.221	00320	64
947 265 0349	141.165	00170	23	947 265 0349	141.165	00370	12	M947 265 0349	141.221	00325	33
947 265 0349	141.165	00175	19	947 265 0349	141.165	00370	23	M947 265 0349	141.221	00330	14
947 265 0349	141.165	00200	15	947 265 0349	141.165	00370	33	M947 265 0349	141.221	00330	24
947 265 0349	141.165	00200	26	947 265 0349	141.165	00375	33	M947 265 0349	141.221	00330	34
947 265 0349	141.165	00200	38	947 265 0349	141.165	00380	14	M947 265 0349	141.221	00335	33
947 265 0349	141.165	00220	15	947 265 0349	141.165	00385	33	M947 265 0349	141.221	00340	52
947 265 0349	141.165	00220	27	947 265 0349	141.165	00395	33	M947 265 0349	141.221	00350	14
947 265 0349	141.165	00220	39	947 265 0349	141.165	00405	33	M947 265 0349	141.221	00350	43
947 265 0349	141.165	00240	15	M947 265 0349	141.221	00060	16	M947 265 0349	141.221	00350	64
947 265 0349	141.165	00240	26	M947 265 0349	141.221	00060	28	M947 265 0349	141.221	00355	33
947 265 0349	141.165	00240	37	M947 265 0349	141.221	00060	40	M947 265 0349	141.221	00360	14
947 265 0349	141.165	00260	14	M947 265 0349	141.221	00140	74	M947 265 0349	141.221	00365	33
947 265 0349	141.165	00260	43	M947 265 0349	141.221	00140	80	M947 265 0349	141.221	00370	12
947 265 0349	141.165	00260	64	M947 265 0349	141.221	00170	13	M947 265 0349	141.221	00370	23
947 265 0349	141.165	00265	33	M947 265 0349	141.221	00170	23	M947 265 0349	141.221	00370	33
947 265 0349	141.165	00275	21	M947 265 0349	141.221	00175	19	M947 265 0349	141.221	00375	33
947 265 0349	141.165	00280	14	M947 265 0349	141.221	00200	15	M947 265 0349	141.221	00380	14
947 265 0349	141.165	00280	24	M947 265 0349	141.221	00200	26	M947 265 0349	141.221	00385	33
947 265 0349	141.165	00280	34	M947 265 0349	141.221	00200	38	M947 265 0349	141.221	00395	33
947 265 0349	141.165	00280	34	M947 265 0349	141.221	00220	15	M947 265 0349	141.221	00405	33
947 265 0349	141.165	00285	33	M947 265 0349	141.221	00220	27	947 265 0449	141.226	00340	53
947 265 0349	141.165	00290	15	M947 265 0349	141.221	00220	39	947 265 0449	141.226	00360	39
947 265 0349	141.165	00290	24	M947 265 0349	141.221	00240	15	947 265 0449	141.226	00380	39
947 265 0349	141.165	00295	33	M947 265 0349	141.221	00240	26	M947 265 0449	141.228	00340	53
947 265 0349	141.165	00300	15	M947 265 0349	141.221	00240	37	M947 265 0449	141.228	00360	39
947 265 0349	141.165	00300	26	M947 265 0349	141.221	00260	14	M947 265 0449	141.228	00380	39
947 265 0349	141.165	00300	37	M947 265 0349	141.221	00260	43	947 265 0849	141.225	00100	56
947 265 0349	141.165	00315	21	M947 265 0349	141.221	00260	64	947 265 0849	141.225	00120	46

All original equipment manufacturers numbers, symbols, pictures, models and description used in this catalogue are for reference only, and it is implied that any part listed is the product of these manufacturers. Tutti i nostri particolari non sono originali ma con essi intercambiabili. I riferimenti originali, le figure, i modelli sono esposti a semplice titolo indicativo. La nostra produzione riporta il nostro marchio.

MERCEDES Index

MB no.	CEI no.	Tab.	Fig.	MB no.	CEI no.	Tab.	Fig.	MB no.	CEI no.	Tab.	Fig.
947 265 0849	141.225	00150	56	945 267 0218	189.680	00405	37	945 267 1119	132.065	00235	37
976 265 0049	<i>See 947 265 0849</i>			947 267 0718	132.079	00375	39	945 267 1119	132.065	00255	35
387 265 0650	117.452	00140	77	389 267 0419	<i>See 389 267 3319</i>			945 267 1119	132.065	00265	44
945 267 2117	132.072	00265	38	389 267 1319	<i>See 945 267 1119</i>			945 267 1119	132.065	00355	44
945 267 2117	132.072	00285	41	389 267 1419	<i>See 945 267 1119</i>			945 267 1219	132.076	00375	44
945 267 2117	132.072	00325	38	389 267 1519	<i>See 389 267 2819</i>			945 267 1319	132.069	00175	33
945 267 2117	132.072	00335	41	389 267 2119	<i>See 389 267 3319</i>			945 267 1319	132.069	00265	44
945 267 2117	132.072	00355	38	389 267 2219	<i>See 389 267 3319</i>			945 267 1319	132.069	00285	40
945 267 2117	132.072	00375	38	389 267 2319	<i>See 389 267 2819</i>			945 267 1319	132.069	00295	39
945 267 2117	132.072	00385	38	389 267 2419	<i>See 389 267 2819</i>			945 267 1319	132.069	00325	44
387 267 0918	<i>See 945 267 0218</i>			389 267 2719	<i>See 389 267 2819</i>			945 267 1319	132.069	00335	40
389 267 0118	<i>See 389 267 1018</i>			389 267 2819	132.067	00160	57	945 267 1319	132.069	00355	44
389 267 1018	132.066	00165	32	389 267 2819	132.067	00190	63	945 267 1319	132.069	00375	44
389 267 1018	132.066	00185	32	389 267 2819	132.067	00210	63	945 267 1619	<i>See 945 267 1319</i>		
389 267 1018	132.066	00195	32	389 267 2819	132.067	00230	60	387 267 0250	<i>See 387 267 0650</i>		
389 267 1018	132.066	00215	32	389 267 2819	132.067	00260	65	387 267 0650	117.412	00160	54
389 267 1018	132.066	00235	34	389 267 2919	<i>See 945 267 1119</i>			387 267 0650	117.412	00165	31
389 267 1018	132.066	00255	32	389 267 3319	132.068	00160	56	387 267 0650	117.412	00175	29
389 267 1018	132.066	00265	39	389 267 3319	132.068	00190	56	387 267 0650	117.412	00185	31
389 267 1018	132.066	00285	37	389 267 3319	132.068	00210	56	387 267 0650	117.412	00190	58
389 267 1018	132.066	00295	36	389 267 3319	132.068	00230	55	387 267 0650	117.412	00195	31
389 267 1018	132.066	00325	39	389 267 3319	132.068	00260	72	387 267 0650	117.412	00210	58
389 267 1018	132.066	00335	37	389 267 4219	<i>See 945 267 1119</i>			387 267 0650	117.412	00215	31
389 267 1018	132.066	00355	39	945 267 0219	<i>See 945 267 0619</i>			387 267 0650	117.412	00230	57
389 267 1018	132.066	00365	39	945 267 0619	132.075	00140	79	387 267 0650	117.412	00235	33
389 267 1018	132.066	00375	39	945 267 0619	132.075	00260	73	387 267 0650	117.412	00255	31
389 267 1018	132.066	00385	39	945 267 0619	132.075	00280	61	387 267 0650	117.412	00260	70
945 267 0218	189.680	00140	75	945 267 0619	132.075	00320	73	387 267 0650	117.412	00265	36
945 267 0218	189.680	00160	52	945 267 0619	132.075	00330	61	387 267 0650	117.412	00280	59
945 267 0218	189.680	00190	60	945 267 0619	132.075	00370	60	387 267 0650	117.412	00285	35
945 267 0218	189.680	00210	60	945 267 0819	132.070	00140	79	387 267 0650	117.412	00320	70
945 267 0218	189.680	00230	59	945 267 0819	132.070	00275	24	387 267 0650	117.412	00325	36
945 267 0218	189.680	00260	68	945 267 0819	132.070	00315	24	387 267 0650	117.412	00330	59
945 267 0218	189.680	00275	22	945 267 0819	132.070	00320	73	387 267 0650	117.412	00335	35
945 267 0218	189.680	00280	57	945 267 0819	132.070	00340	50	387 267 0650	117.412	00355	36
945 267 0218	189.680	00315	22	945 267 0819	132.070	00360	57	387 267 0650	117.412	00360	55
945 267 0218	189.680	00320	68	945 267 0819	132.070	00380	57	387 267 0650	117.412	00365	36
945 267 0218	189.680	00330	57	945 267 0819	132.070	00395	39	387 267 0650	117.412	00370	58
945 267 0218	189.680	00340	48	945 267 0819	132.070	00405	39	387 267 0650	117.412	00375	36
945 267 0218	189.680	00360	53	945 267 1119	132.065	00165	35	387 267 0650	117.412	00380	55
945 267 0218	189.680	00370	56	945 267 1119	132.065	00185	35	387 267 0650	117.412	00385	36
945 267 0218	189.680	00380	53	945 267 1119	132.065	00195	35	387 267 0650	117.412	00410	42
945 267 0218	189.680	00395	37	945 267 1119	132.065	00215	35	387 267 0650	117.412	00410	48

Date

04 / 2011

Table

Index

Index MERCEDES

MB no.	CEI no.	Tab.	Fig.	MB no.	CEI no.	Tab.	Fig.	MB no.	CEI no.	Tab.	Fig.
387 267 0650	117.412	00410	50	389 269 2001	189.681	00200	62	947 269 1001	189.604	00275	20
387 267 0650	117.412	00410	54	389 269 2001	189.681	00220	62	947 269 1001	189.604	00285	32
389 267 2250	<i>See 930 260 2789</i>			389 269 2001	189.681	00240	59	947 269 1001	189.604	00295	32
000 267 0197	139.834	00140	78	389 269 2001	189.681	00300	59	947 269 1001	189.604	00315	20
000 267 0197	139.834	00160	55	389 269 2001	189.681	00340	56	947 269 1001	189.604	00325	32
000 267 0197	139.834	00165	30	389 269 2101	189.682	00060	64	947 269 1001	189.604	00335	32
000 267 0197	139.834	00175	28	389 269 2101	189.682	00140	73	947 269 1001	189.604	00355	32
000 267 0197	139.834	00185	30	389 269 2201	<i>See 389 269 2101</i>			947 269 1001	189.604	00365	32
000 267 0197	139.834	00190	57	389 269 2501	<i>See 389 269 2601</i>			947 269 1001	189.604	00375	32
000 267 0197	139.834	00195	30	389 269 2601	189.607	00165	24	947 269 1001	189.604	00385	32
000 267 0197	139.834	00210	57	389 269 2601	189.607	00175	23	947 269 1001	189.604	00395	32
000 267 0197	139.834	00215	30	389 269 2601	189.607	00185	24	947 269 1001	189.604	00405	32
000 267 0197	139.834	00230	56	389 269 2601	189.607	00195	24	972 269 0001	189.684	00100	60
000 267 0197	139.834	00235	32	389 269 2601	189.607	00215	24	389 269 0706	189.605	00060	63
000 267 0197	139.834	00255	30	389 269 2601	189.607	00235	26	389 269 0706	189.605	00140	72
000 267 0197	139.834	00260	71	389 269 2601	189.607	00255	24	389 269 0706	189.605	00165	27
000 267 0197	139.834	00265	35	389 269 2601	189.607	00265	28	389 269 0706	189.605	00175	26
000 267 0197	139.834	00280	60	389 269 2601	189.607	00275	17	389 269 0706	189.605	00185	27
000 267 0197	139.834	00285	34	389 269 2601	189.607	00285	28	389 269 0706	189.605	00195	27
000 267 0197	139.834	00295	34	389 269 2601	189.607	00295	28	389 269 0706	189.605	00200	64
000 267 0197	139.834	00320	71	389 269 2601	189.607	00315	17	389 269 0706	189.605	00215	27
000 267 0197	139.834	00325	35	389 269 2601	189.607	00325	28	389 269 0706	189.605	00220	64
000 267 0197	139.834	00330	60	389 269 2601	189.607	00335	28	389 269 0706	189.605	00235	29
000 267 0197	139.834	00335	34	389 269 2601	189.607	00355	28	389 269 0706	189.605	00240	61
000 267 0197	139.834	00355	35	389 269 2601	189.607	00365	28	389 269 0706	189.605	00255	27
000 267 0197	139.834	00360	56	389 269 2601	189.607	00375	28	389 269 0706	189.605	00265	31
000 267 0197	139.834	00365	35	389 269 2601	189.607	00385	28	389 269 0706	189.605	00275	19
000 267 0197	139.834	00370	59	389 269 2601	189.607	00395	28	389 269 0706	189.605	00285	31
000 267 0197	139.834	00375	35	389 269 2601	189.607	00405	28	389 269 0706	189.605	00295	31
000 267 0197	139.834	00380	56	389 269 3801	<i>See 947 269 1001</i>			389 269 0706	189.605	00300	61
000 267 0197	139.834	00385	35	629 269 0001	189.688	00200	65	389 269 0706	189.605	00315	19
000 267 0197	139.834	00410	43	629 269 0001	189.688	00220	65	389 269 0706	189.605	00325	31
000 267 0197	139.834	00410	49	629 269 0001	189.688	00240	62	389 269 0706	189.605	00335	31
000 267 0197	139.834	00410	53	629 269 0001	189.688	00340	59	389 269 0706	189.605	00340	58
000 267 0397	<i>See 000 267 0197</i>			947 269 0501	<i>See 947 269 1001</i>			389 269 0706	189.605	00355	31
387 268 0773	111.338	00410	8	947 269 1001	189.604	00165	28	389 269 0706	189.605	00365	31
387 268 0873	111.339	00410	8	947 269 1001	189.604	00175	27	389 269 0706	189.605	00375	31
387 268 0973	111.340	00410	8	947 269 1001	189.604	00185	28	389 269 0706	189.605	00385	31
387 268 1073	111.341	00410	8	947 269 1001	189.604	00195	28	389 269 0706	189.605	00395	31
389 268 1280	139.599	00410	64	947 269 1001	189.604	00215	28	389 269 0706	189.605	00405	31
389 269 1901	<i>See 389 269 2001</i>			947 269 1001	189.604	00235	30	389 269 1406	189.606	00165	26
389 269 2001	189.681	00060	61	947 269 1001	189.604	00255	28	389 269 1406	189.606	00175	25
389 269 2001	189.681	00140	70	947 269 1001	189.604	00265	32	389 269 1406	189.606	00185	26

Date

04 / 2011

Table

Index

MERCEDES Index

MB no.	CEI no.	Tab.	Fig.	MB no.	CEI no.	Tab.	Fig.	MB no.	CEI no.	Tab.	Fig.
389 269 1406	189.606	00195	26	389 269 1210	101.123	00375	25	389 269 0134	188.180	00255	2
389 269 1406	189.606	00215	26	389 269 1210	101.123	00385	25	389 269 0334	188.246	00165	2
389 269 1406	189.606	00235	28	389 269 1310	See 947 269 1010			389 269 4734	See 945 269 0834		
389 269 1406	189.606	00255	26	945 269 1010	See 947 269 1010			389 269 8534	139.748	00410	62
389 269 1406	189.606	00265	30	945 269 1110	See 947 269 1110			945 269 0834	188.181	00175	7
389 269 1406	189.606	00275	18	947 269 1010	101.168	00175	20	945 269 0834	188.181	00265	2
389 269 1406	189.606	00285	30	947 269 1010	101.168	00265	25	945 269 0834	188.181	00285	2
389 269 1406	189.606	00295	30	947 269 1010	101.168	00275	14	945 269 0834	188.181	00295	2
389 269 1406	189.606	00315	18	947 269 1010	101.168	00285	25	945 269 0834	188.181	00325	2
389 269 1406	189.606	00325	30	947 269 1010	101.168	00295	25	945 269 0834	188.181	00335	2
389 269 1406	189.606	00335	30	947 269 1010	101.168	00315	14	945 269 0834	188.181	00355	2
389 269 1406	189.606	00355	30	947 269 1010	101.168	00325	25	945 269 0834	188.181	00365	2
389 269 1406	189.606	00365	30	947 269 1010	101.168	00335	25	945 269 0834	188.181	00375	2
389 269 1406	189.606	00375	30	947 269 1010	101.168	00355	25	945 269 0834	188.181	00385	2
389 269 1406	189.606	00385	30	947 269 1010	101.168	00365	25	945 269 0834	188.181	00395	2
389 269 1406	189.606	00395	30	947 269 1010	101.168	00375	25	945 269 0834	188.181	00405	2
389 269 1406	189.606	00405	30	947 269 1010	101.168	00385	25	976 269 0034	139.749	00060	69
389 269 1506	See 389 269 1406			947 269 1010	101.168	00395	25	976 269 0034	139.749	00140	10
389 269 1606	189.683	00060	62	947 269 1010	101.168	00405	25	976 269 0034	139.749	00170	5
389 269 1606	189.683	00140	71	947 269 1110	101.169	00175	20	976 269 0034	139.749	00200	6
389 269 1606	189.683	00200	63	947 269 1110	101.169	00265	25	976 269 0034	139.749	00220	6
389 269 1606	189.683	00220	63	947 269 1110	101.169	00275	14	976 269 0034	139.749	00340	11
389 269 1606	189.683	00240	60	947 269 1110	101.169	00285	25	976 269 0034	139.749	00410	62
389 269 1606	189.683	00300	60	947 269 1110	101.169	00295	25	385 283 3152	269.493	00410	36
389 269 1606	189.683	00340	57	947 269 1110	101.169	00315	14	389 283 0052	269.494	00410	36
389 269 1706	See 389 269 1606			947 269 1110	101.169	00325	25	659 283 4652	269.536	00410	29
972 269 0006	189.685	00100	59	947 269 1110	101.169	00335	25	659 283 4852	269.593	00410	29
972 269 0106	189.687	00100	58	947 269 1110	101.169	00355	25	659 283 5052	269.594	00410	29
389 269 0310	See 389 269 1210			947 269 1110	101.169	00365	25	659 283 5152	269.595	00410	29
389 269 0810	See 947 269 1010			947 269 1110	101.169	00375	25	659 283 5452	269.596	00410	29
389 269 1210	101.123	00165	21	947 269 1110	101.169	00385	25	659 283 5552	269.597	00410	29
389 269 1210	101.123	00185	21	947 269 1110	101.169	00395	25	944 330 0081	170.274	00500	37
389 269 1210	101.123	00195	21	947 269 1110	101.169	00405	25	494 335 0214	182.051	00430	10
389 269 1210	101.123	00215	21	976 269 0010	101.171	00140	69	494 335 0214	182.051	00430	18
389 269 1210	101.123	00235	23	976 269 0110	101.170	00140	69	494 335 0214	182.051	00540	15
389 269 1210	101.123	00255	21	385 269 0034	188.240	00020	7	494 335 0214	182.051	00540	23
389 269 1210	101.123	00265	25	385 269 0034	188.240	00020	7	494 335 0075	169.581	00430	11
389 269 1210	101.123	00285	25	385 269 0234	See 308750 012000			494 335 0075	169.581	00430	19
389 269 1210	101.123	00295	25	389 269 0134	188.180	00165	2	494 335 0075	169.581	00540	16
389 269 1210	101.123	00325	25	389 269 0134	188.180	00185	2	494 335 0075	169.581	00540	24
389 269 1210	101.123	00335	25	389 269 0134	188.180	00195	2	406 337 0252	269.289	00410	3
389 269 1210	101.123	00355	25	389 269 0134	188.180	00215	2	406 337 0252	269.289	00410	4
389 269 1210	101.123	00365	25	389 269 0134	188.180	00235	2	406 337 0352	269.290	00410	3

Date

04 / 2011

Table

Index

Index MERCEDES

MB no.	CEI no.	Tab.	Fig.	MB no.	CEI no.	Tab.	Fig.	MB no.	CEI no.	Tab.	Fig.
406 337 0352	269.290	00410	4	387 350 0020	199.099	00430	37	387 350 2123	199.065	00580	9
346 350 2703	280.724	00450	1	387 350 0020	199.099	00540	39	387 350 5923	199.096	00430	30
346 350 9803	280.741	00550	1	387 350 2520	280.730	00540	1	387 350 5923	199.096	00540	9
346 350 9903	280.744	00550	1	387 350 2620	280.733	00540	1	387 350 6023	199.301	00540	9
387 350 2603	280.721	00430	1	387 350 2720	280.735	00540	1	387 350 9723	298.215	00460	34
387 350 3503	280.719	00430	1	387 350 2820	280.731	00540	1	387 350 9723	298.215	00480	37
387 350 5303	280.722	00430	1	387 350 3020	280.732	00540	1	387 350 9823	198.532	00420	39
387 350 6303	280.720	00430	1	387 350 3120	280.737	00540	1	393 350 2623	199.108	00550	9
387 350 7003	280.717	00430	1	387 350 9920	280.738	00540	1	615 350 2923	199.318	00580	9
387 350 7103	280.718	00430	1	389 350 2520	199.320	00540	39	615 350 3023	199.064	00490	7
387 350 8603	280.723	00430	1	389 350 2620	280.739	00540	1	615 350 3023	199.064	00580	9
942 350 0303	199.104	00450	36	393 350 7720	280.747	00550	1	615 350 3123	199.253	00490	7
942 350 0703	199.112	00550	43	395 350 8720	199.111	00550	43	615 350 3123	199.253	00580	9
305 350 0109	198.929	00730	11	397 350 0120	280.746	00550	1	652 350 0223	199.316	00670	8
305 350 0209	198.920	00720	11	655 350 0320	280.726	00450	1	652 350 0923	199.314	00580	9
346 350 0609	198.937	00720	11	655 350 1220	280.728	00450	1	652 350 0923	199.314	00670	8
346 350 0709	198.941	00730	11	655 350 7820	280.748	00550	1	652 350 1023	199.315	00670	8
346 350 1109	198.701	00740	11	000 350 8023	298.069	00530	7	652 350 1123	199.317	00670	8
346 350 1709	198.931	00730	11	302 350 1823	199.075	00610	16	658 350 0023	198.905	00420	39
346 350 1809	198.942	00730	11	309 350 3623	199.285	00590	7	658 350 0123	298.223	00460	35
346 350 2209	298.240	00740	11	309 350 6323	199.286	00590	7	658 350 0123	298.223	00480	38
346 350 4109	298.238	00730	11	310 350 0723	199.287	00590	7	658 350 0223	198.906	00420	40
346 350 4209	298.233	00720	11	310 350 0823	199.322	00590	7	658 350 0323	198.907	00420	40
346 350 4309	298.241	00740	11	316 350 1423	199.045	00600	7	669 350 0623	199.297	00600	7
346 350 6009	298.239	00730	11	343 350 0923	198.889	00440	40	675 350 1323	199.290	00470	9
346 350 6109	298.236	00720	11	343 350 1023	198.618	00440	39	675 350 1323	199.290	00570	8
355 350 0709	198.919	00720	11	346 350 6623	199.101	00450	29	676 350 1923	199.307	00660	8
355 350 0809	198.928	00730	11	346 350 8123	199.046	00450	29	676 350 2023	199.310	00660	8
355 350 1009	198.934	00720	11	346 350 8123	199.046	00550	9	676 350 2123	199.311	00660	8
355 350 1209	198.936	00730	11	346 350 8223	199.106	00550	9	676 350 3123	199.308	00660	8
355 350 1409	198.924	00720	11	349 350 0923	199.018	00630	7	676 350 3223	199.309	00660	8
355 350 1509	198.932	00720	11	352 350 2623	199.303	00620	8	676 350 3323	199.312	00660	8
355 350 2109	298.235	00720	11	354 350 0123	199.055	00610	16	676 350 3423	199.313	00660	8
355 350 1415	145.711	00420	22	361 350 7223	199.302	00620	8	901 350 0023	199.304	00640	7
305 350 9520	280.734	00540	1	380 350 0523	199.296	00600	7	902 350 0123	199.323	00640	7
307 350 4020	280.740	00550	1	383 350 2123	199.299	00560	8	942 350 1823	199.277	00550	9
346 350 2520	280.727	00450	1	383 350 2323	199.047	00560	8	942 350 1923	199.278	00550	9
346 350 2720	280.725	00450	1	383 350 2323	199.047	00660	8	942 350 2123	298.068	00690	10
346 350 7020	280.745	00550	1	385 350 4923	199.289	00470	9	942 350 2223	298.070	00520	22
346 350 7120	280.742	00550	1	385 350 4923	199.289	00570	8	944 350 0523	298.066	00680	10
346 350 7220	280.743	00550	1	387 350 1323	199.053	00430	30	944 350 0623	298.065	00510	6
346 350 8820	280.729	00450	1	387 350 1323	199.053	00540	9	944 350 0723	298.067	00500	22
381 350 0920	280.736	00540	1	387 350 2123	199.065	00490	7	946 350 0123	298.220	00710	17

All original equipment manufacturers numbers, symbols, pictures, models and description used in this catalogue are for reference only, and it is not implied that any part listed is the product of these manufacturers. Tutti i nostri particolari non sono originali ma con essi intercambiabili. I riferimenti originali, le figure, i modelli sono esposti a semplice titolo indicativo. La nostra produzione riporta il nostro marchio.

MERCEDES Index

MB no.	CEI no.	Tab.	Fig.	MB no.	CEI no.	Tab.	Fig.	MB no.	CEI no.	Tab.	Fig.
948 350 0023	199.324	00700	19	346 350 9133	298.237	00730	10	346 350 3139	194.288	00450	6
948 350 0123	298.046	00700	17	346 350 9233	298.232	00720	10	346 350 3639	194.420	00450	6
346 350 1324	145.865	00440	22	355 350 2533	298.230	00720	10	346 350 5639	194.131	00550	8
355 350 0124	145.379	00420	11	355 350 2533	298.230	00730	10	346 350 6039	194.183	00550	8
355 350 0324	145.699	00420	11	355 350 3433	198.935	00720	10	346 350 6239	194.287	00550	8
355 350 0624	145.712	00420	22	355 350 3433	198.935	00730	10	346 350 7639	194.421	00550	8
314 350 0026	198.556	00600	15	355 350 5133	198.933	00720	10	346 350 7839	194.422	00550	8
668 350 0026	298.227	00640	14	355 350 5133	198.933	00730	10	346 350 8039	194.419	00550	8
309 350 0427	199.284	00590	7	300 350 0139	194.837	00580	8	355 350 3939	194.334	00430	6
316 350 0227	199.294	00600	7	300 350 0139	194.837	00670	7	355 350 4039	194.333	00430	6
322 350 0927	199.298	00560	8	301 350 0639	194.136	00560	7	355 350 4139	194.291	00430	6
338 350 0727	199.076	00610	16	301 350 0639	194.136	00660	7	355 350 4239	194.644	00430	6
346 350 0427	199.048	00450	29	301 350 0739	194.171	00560	7	355 350 4339	194.400	00430	6
346 350 0427	199.048	00550	9	301 350 0739	194.171	00660	7	355 350 4639	194.295	00540	8
346 350 0827	199.105	00450	29	301 350 0839	194.172	00560	7	355 350 4839	194.605	00430	6
346 350 1127	199.113	00550	9	301 350 0839	194.172	00660	7	355 350 4939	194.645	00430	6
346 350 2127	199.107	00550	9	301 350 1339	194.138	00560	7	355 350 5439	294.101	00540	8
346 350 2327	199.081	00440	13	301 350 1339	194.138	00660	7	357 350 1339	194.356	00540	8
349 350 0027	199.015	00630	7	301 350 2239	194.838	00580	8	357 350 1639	194.651	00540	8
355 350 0227	199.054	00430	30	301 350 2239	194.838	00670	7	371 350 0039	194.292	00540	8
355 350 0227	199.054	00540	9	301 350 2339	194.378	00580	8	371 350 0139	194.647	00540	8
355 350 1827	199.062	00420	13	302 350 1539	194.174	00610	6	383 350 0739	294.104	00560	7
355 350 1827	199.062	00460	13	302 350 1739	194.175	00620	7	383 350 0739	294.104	00660	7
355 350 1827	199.062	00480	13	302 350 2139	294.139	00620	7	385 350 1039	294.094	00470	6
380 350 0027	199.295	00600	7	302 350 2239	294.149	00620	7	385 350 1139	294.091	00470	6
385 350 0427	199.288	00470	9	302 350 2439	294.137	00620	7	385 350 1239	294.090	00470	6
385 350 0427	199.288	00570	8	302 350 2639	194.177	00610	6	385 350 1339	294.092	00470	6
385 350 1427	199.063	00490	7	302 350 2739	294.140	00620	7	385 350 1539	294.106	00570	7
385 350 1427	199.063	00580	9	302 350 2839	194.176	00610	6	385 350 1639	294.105	00570	7
346 350 0128	133.060	00440	14	307 350 0139	294.102	00550	8	385 350 1739	294.107	00570	7
346 350 0228	133.024	00450	7	309 350 1439	194.135	00590	6	385 350 1939	294.109	00570	7
346 350 0228	133.024	00550	13	309 350 1539	194.424	00590	6	385 350 2739	294.108	00570	7
355 350 0128	133.061	00420	14	309 350 1639	194.178	00590	6	385 350 2839	294.093	00470	6
355 350 0128	133.061	00460	14	309 350 1839	294.112	00590	6	385 350 3539	294.123	00670	7
355 350 0128	133.061	00480	14	310 350 0439	294.114	00600	6	385 350 3639	194.377	00670	7
346 350 1533	198.581	00720	10	318 350 1239	194.180	00600	6	385 350 3939	294.098	00490	6
346 350 1533	198.581	00730	10	343 350 0039	194.134	00630	6	385 350 4039	294.099	00490	6
346 350 3033	198.938	00730	10	346 350 1739	194.126	00550	8	385 350 4139	194.833	00580	8
346 350 7433	198.923	00720	10	346 350 1939	194.182	00550	8	385 350 4139	194.833	00670	7
346 350 7433	198.923	00730	10	346 350 2339	194.286	00450	6	385 350 4239	294.097	00490	6
346 350 7533	198.922	00720	10	346 350 2639	194.335	00450	6	385 350 4339	294.111	00580	8
346 350 7533	198.922	00720	10	346 350 2739	194.336	00450	6	385 350 4339	294.111	00670	7
346 350 7533	198.922	00730	10	346 350 2939	194.601	00450	6	385 350 4439	294.096	00490	6

Date

04 / 2011

Table

Index

Index MERCEDES

MB no.	CEI no.	Tab.	Fig.	MB no.	CEI no.	Tab.	Fig.	MB no.	CEI no.	Tab.	Fig.
385 350 4639	294.100	00490	6	944 350 3839	194.857	00680	6	346 350 0545	155.071	00550	3
602 350 2639	294.119	00640	6	944 350 3939	194.856	00680	6	346 350 0645	155.070	00550	3
602 350 2739	294.118	00640	6	944 350 4039	294.021	00680	6	346 350 0845	155.294	00550	3
602 350 2839	294.117	00640	6	944 350 4139	294.022	00680	6	346 350 0945	197.218	00440	2
602 350 2939	294.120	00640	6	309 350 0040	298.213	00590	15	346 350 0945	197.218	00550	3
616 350 0139	194.137	00560	7	310 350 0040	298.266	00590	15	346 350 1245	155.295	00550	3
616 350 0139	194.137	00660	7	352 350 0040	298.216	00610	22	346 350 1645	197.217	00440	2
619 350 0039	294.095	00470	6	352 350 0040	298.216	00620	16	355 350 0645	155.265	00420	2
652 350 0039	194.834	00580	8	385 350 0040	198.712	00490	15	355 350 0645	155.265	00460	2
652 350 0039	194.834	00670	7	385 350 0040	198.712	00580	17	355 350 0645	155.265	00480	2
652 350 0239	194.835	00580	8	387 350 0040	198.557	00450	28	355 350 0745	155.267	00420	2
652 350 0239	194.835	00670	7	387 350 0040	198.557	00550	34	355 350 0745	155.267	00480	2
652 350 0339	194.836	00580	8	393 350 0040	198.910	00430	20	355 350 1245	155.213	00420	2
652 350 0339	194.836	00670	7	393 350 0040	198.910	00540	27	358 350 0045	155.087	00560	2
652 350 0539	294.125	00670	7	395 350 0040	198.909	00430	29	360 350 0045	155.088	00560	2
670 350 0239	294.116	00600	6	395 350 0040	198.909	00540	36	360 350 0045	155.088	00610	2
670 350 0339	294.115	00600	6	615 350 0040	198.713	00490	23	360 350 0045	155.088	00620	2
674 350 0439	194.179	00600	6	615 350 0040	198.713	00580	25	360 350 0445	155.287	00610	2
674 350 0639	294.113	00600	6	675 350 0040	298.224	00560	16	360 350 0445	155.287	00620	2
676 350 0139	294.122	00660	7	675 350 0040	298.224	00660	16	360 350 0645	155.297	00560	2
676 350 0239	294.103	00560	7	675 350 0140	298.222	00470	15	360 350 0645	155.297	00570	2
676 350 0239	294.103	00660	7	675 350 0140	298.222	00560	22	385 350 0045	155.289	00620	2
676 350 0339	294.110	00570	7	675 350 0140	298.222	00570	16	385 350 0145	155.275	00420	2
676 350 0439	294.121	00660	7	675 350 0140	298.222	00660	16	385 350 0145	155.275	00460	2
904 350 0039	194.912	00640	6	946 350 0040	298.047	00710	16	385 350 0145	155.275	00480	2
942 350 2039	294.057	00690	6	970 350 0040	298.218	00670	18	652 350 0045	155.308	00670	2
942 350 2239	194.859	00690	6	970 350 0240	298.228	00650	18	653 350 0245	155.302	00570	2
942 350 2339	294.059	00690	6	343 350 0741	280.750	00630	34	670 350 0045	197.213	00650	3
942 350 2439	294.088	00690	6	346 350 0443	187.514	00450	30	674 350 0145	197.215	00650	3
942 350 2539	194.855	00530	6	346 350 0443	187.514	00550	10	674 350 0145	197.215	00660	2
942 350 2639	194.983	00530	6	942 350 0143	287.077	00530	12	674 350 0245	197.214	00650	3
942 350 2739	194.858	00530	6	942 350 0143	287.077	00690	13	677 350 0045	155.306	00650	3
942 350 2839	194.982	00530	6	944 350 0243	187.619	00430	31	677 350 0045	155.306	00660	2
942 350 3039	294.083	00690	6	944 350 0243	187.619	00540	11	940 350 0145	155.303	00700	3
944 350 0439	194.418	00540	8	944 350 0243	187.619	00680	13	942 350 0045	197.073	00440	2
944 350 1239	194.649	00540	8	300 350 0445	155.307	00670	2	942 350 0045	197.073	00550	3
944 350 1839	194.290	00540	8	309 350 0345	155.094	00590	2	942 350 0045	197.073	00690	2
944 350 2139	194.646	00540	8	316 350 0045	155.277	00600	2	942 350 0145	197.210	00550	3
944 350 2439	294.060	00510	5	318 350 0145	155.278	00600	2	942 350 0145	197.210	00690	2
944 350 2539	194.904	00510	5	319 350 0745	155.283	00590	2	942 350 0245	197.211	00550	3
944 350 2639	294.061	00510	5	319 350 0845	155.284	00590	2	942 350 0245	197.211	00690	2
944 350 2739	294.062	00510	5	346 350 0445	155.086	00550	3	942 350 0645	197.212	00690	2
944 350 3739	294.063	00680	6	346 350 0545	155.071	00440	2	942 350 0945	298.225	00500	6

Date

04 / 2011

Table

Index

All original equipment manufacturers numbers, symbols, pictures, models and description used in this catalogue are for reference only, and it is not implied that any part listed is the product of these manufacturers.
Tutti i nostri particolari non sono originali ma con essi intercambiabili. I riferimenti originali, le figure, i modelli sono esposti a semplice titolo indicativo. La nostra produzione riporta il nostro marchio.

MERCEDES Index

MB no.	CEI no.	Tab.	Fig.	MB no.	CEI no.	Tab.	Fig.	MB no.	CEI no.	Tab.	Fig.
942 350 0945	298.225	00520	6	385 351 0672	187.250	00480	1	302 353 0014	182.005	00560	14
942 350 1445	298.121	00500	6	385 351 0672	187.250	00510	1	302 353 0014	182.005	00560	20
942 350 1545	298.120	00520	6	385 351 0672	187.250	00540	2	302 353 0014	182.005	00570	14
942 350 1645	298.226	00520	6	385 351 0672	187.250	00670	1	309 353 0014	182.075	00590	13
946 350 0145	197.216	00710	2	385 351 0672	187.250	00680	1	316 353 0014	182.046	00600	13
970 350 0045	197.223	00650	3	601 351 0072	287.075	00590	1	326 353 0414	182.004	00630	11
944 350 0049	130.904	00500	23	601 351 0172	287.081	00640	1	346 353 0514	182.048	00440	15
944 350 0149	130.901	00510	3	946 351 0072	187.536	00440	1	346 353 0614	182.027	00450	16
315 350 0250	175.391	00630	3	946 351 0072	187.536	00450	2	346 353 0614	182.027	00550	22
305 350 0354	198.926	00730	8	946 351 0072	187.536	00500	1	346 353 1014	182.056	00450	24
305 350 0454	198.917	00720	8	946 351 0072	187.536	00500	30	346 353 1014	182.056	00530	18
346 350 0554	198.652	00720	8	946 351 0072	187.536	00520	1	346 353 1014	182.056	00550	30
346 350 0654	198.450	00730	8	946 351 0072	187.536	00530	1	346 353 1014	182.056	00550	38
355 350 0254	198.925	00730	8	946 351 0072	187.536	00550	2	346 353 1014	182.056	00690	19
355 350 0354	198.700	00720	8	946 351 0072	187.536	00690	1	354 353 0014	182.076	00610	20
355 350 0454	298.161	00720	8	946 351 0072	187.536	00700	2	354 353 0014	182.076	00620	14
388 350 0154	298.163	00740	8	946 351 0072	187.536	00710	1	355 353 0214	182.047	00420	15
651 350 0054	198.921	00720	8	948 351 0172	287.083	00700	2	355 353 0214	182.047	00460	15
652 350 0054	298.164	00730	8	942 351 0188	188.247	00500	4	355 353 0214	182.047	00480	15
652 350 0254	298.252	00720	8	942 351 0188	188.247	00520	4	355 353 0614	182.076	00430	18
653 350 0054	198.930	00730	8	343 352 0016	155.089	00630	30	355 353 0614	182.076	00540	23
653 350 0254	298.165	00730	8	343 352 0841	280.749	00630	33	366 353 0414	182.003	00450	10
656 350 0054	298.076	00720	8	942 353 0401	175.354	00690	9	366 353 0414	182.003	00550	14
327 350 1588	141.230	00610	11	944 353 0101	175.351	00680	9	380 353 0014	182.130	00600	13
942 351 0008	199.300	00520	8	946 353 0001	175.383	00710	9	385 353 0114	182.131	00610	20
942 351 0108	199.319	00520	8	948 353 0001	175.384	00700	10	385 353 0114	182.131	00620	14
944 351 0008	128.241	00500	8	948 353 0101	175.396	00700	10	395 353 0114	182.077	00430	27
385 351 0172	187.253	00470	1	970 353 0101	199.305	00650	7	395 353 0114	182.077	00540	32
385 351 0172	187.253	00490	1	346 353 0307	199.103	00450	34	615 353 0214	182.057	00490	19
385 351 0172	187.253	00560	1	346 353 0807	199.109	00550	41	615 353 0214	182.057	00580	23
385 351 0172	187.253	00570	1	346 353 0907	199.110	00550	41	615 353 0314	182.136	00670	16
385 351 0172	187.253	00580	1	355 353 0107	199.098	00430	35	617 353 0114	182.053	00490	11
385 351 0172	187.253	00610	1	355 353 0807	199.100	00540	37	617 353 0114	182.053	00580	15
385 351 0172	187.253	00620	1	652 353 0207	175.392	00670	5	653 353 0014	182.075	00420	26
385 351 0172	187.253	00630	1	676 353 0107	175.393	00660	4	653 353 0014	182.075	00460	23
385 351 0172	187.253	00630	28	676 353 0207	175.394	00660	4	653 353 0014	182.075	00480	26
385 351 0172	187.253	00650	2	346 353 0208	199.102	00450	33	659 353 0014	182.063	00440	26
385 351 0172	187.253	00660	1	355 353 0408	199.097	00430	34	669 353 0014	182.132	00590	13
385 351 0172	187.253	00670	1	355 353 0708	199.293	00430	34	674 353 0014	182.134	00600	13
385 351 0372	187.471	00600	1	354 353 0113	128.240	00610	7	675 353 0014	182.096	00470	11
385 351 0672	187.250	00420	1	385 353 0013	155.288	00610	29	675 353 0014	182.096	00560	14
385 351 0672	187.250	00430	2	107 353 0014	182.129	00640	12	675 353 0014	182.096	00560	20
385 351 0672	187.250	00460	1	302 353 0014	182.005	00470	11	675 353 0014	182.096	00570	14

Date

04 / 2011

Table

Index

Index MERCEDES

MB no.	CEI no.	Tab.	Fig.	MB no.	CEI no.	Tab.	Fig.	MB no.	CEI no.	Tab.	Fig.
675 353 0014	182.096	00650	16	615 353 0315	122.241	00670	12	615 353 0120	133.098	00490	16
675 353 0014	182.096	00660	14	617 353 0115	122.069	00490	13	615 353 0120	133.098	00580	18
675 353 0014	182.096	00700	15	617 353 0115	122.069	00490	21	615 353 0120	133.098	00670	11
946 353 0014	182.095	00710	14	617 353 0115	122.069	00580	13	617 353 0120	133.066	00490	10
301 353 0115	122.185	00610	18	617 353 0115	122.069	00580	19	617 353 0120	133.066	00580	12
301 353 0115	122.185	00620	12	669 353 0215	122.243	00590	11	653 353 0020	133.128	00420	23
302 353 0015	122.132	00470	13	669 353 0315	122.240	00590	11	653 353 0020	133.128	00460	20
302 353 0015	122.132	00560	18	674 353 0015	122.244	00600	11	653 353 0020	133.128	00480	23
302 353 0015	122.132	00570	12	675 353 0115	122.239	00470	13	659 353 0020	133.108	00440	23
309 353 0215	122.019	00590	11	675 353 0115	122.239	00560	18	970 353 0121	133.237	00650	12
314 353 0715	122.066	00600	11	675 353 0115	122.239	00570	12	970 353 0221	107.243	00650	13
335 353 0015	122.017	00630	9	675 353 0115	122.239	00660	12	314 353 0224	269.381	00600	14
346 353 0315	122.005	00450	8	675 353 0215	122.131	00560	12	319 353 0624	169.267	00590	14
346 353 0315	122.005	00450	18	675 353 0215	122.131	00650	14	346 353 0124	169.136	00450	11
346 353 0315	122.005	00550	16	675 353 0215	122.131	00660	12	346 353 0124	169.136	00450	17
346 353 0315	122.005	00550	24	675 353 0215	122.131	00700	13	346 353 0124	169.136	00450	25
346 353 0515	122.059	00440	19	942 353 0215	245.020	00530	2	346 353 0124	169.136	00550	15
346 353 0815	122.076	00450	8	942 353 0315	146.646	00530	2	346 353 0124	169.136	00550	23
346 353 0815	122.076	00450	26	946 353 0015	122.130	00710	12	346 353 0124	169.136	00550	31
346 353 0815	122.076	00530	20	360 353 0319	235.899	00610	8	346 353 0224	169.496	00440	16
346 353 0815	122.076	00550	16	301 353 0020	133.235	00610	17	346 353 0224	169.496	00440	27
346 353 0815	122.076	00550	32	301 353 0020	133.235	00620	11	352 353 0024	169.135	00470	12
346 353 0815	122.076	00550	36	304 353 0020	133.023	00630	10	352 353 0024	169.135	00560	15
346 353 0815	122.076	00690	17	308 353 0020	133.127	00430	7	352 353 0024	169.135	00560	21
346 353 1115	122.088	00440	29	308 353 0020	133.127	00540	14	352 353 0024	169.135	00570	15
354 353 0015	122.020	00610	18	309 353 0020	133.025	00590	10	352 353 0024	169.135	00650	17
354 353 0015	122.020	00620	12	318 353 0020	133.059	00600	10	352 353 0024	169.135	00660	15
355 353 0215	122.072	00420	19	346 353 0420	133.013	00450	13	380 353 0024	269.382	00600	14
355 353 0315	122.064	00430	8	346 353 0420	133.013	00450	21	668 353 0024	269.391	00640	13
355 353 0315	122.064	00430	14	346 353 0420	133.013	00550	19	946 353 0024	269.032	00710	15
355 353 0315	122.064	00540	17	346 353 0420	133.013	00550	27	948 353 0024	269.035	00700	16
355 353 0315	122.064	00540	25	355 353 0620	133.056	00430	13	316 353 0025	287.051	00600	4
355 353 0615	122.104	00430	22	355 353 0620	133.056	00540	20	317 353 0125	287.067	00620	4
355 353 0615	122.104	00540	34	360 353 0020	133.026	00610	17	319 353 0825	287.069	00590	9
355 353 0615	122.104	00680	17	360 353 0020	133.026	00620	11	319 353 1025	287.071	00590	4
355 353 0815	122.103	00430	14	383 353 0120	133.014	00470	10	321 353 0025	287.073	00560	10
355 353 0815	122.103	00540	25	383 353 0120	133.014	00560	11	321 353 0025	287.073	00660	10
355 353 1115	122.105	00420	29	383 353 0120	133.014	00560	17	324 353 0225	287.052	00600	9
358 353 0015	122.006	00560	12	383 353 0120	133.014	00570	11	327 353 1025	287.070	00560	4
380 353 0015	122.237	00600	11	383 353 0120	133.014	00660	11	327 353 1025	287.070	00570	4
385 353 0115	122.238	00460	19	395 353 0320	133.129	00430	21	346 353 0825	187.516	00440	6
385 353 0115	122.238	00480	19	395 353 0320	133.129	00540	28	346 353 0925	187.623	00440	37
611 353 5015	122.242	00640	10	611 353 5020	133.236	00640	9	354 353 0025	287.068	00610	10

All original equipment manufacturers numbers, symbols, pictures, models and description used in this catalogue are for reference only, and it is not implied that any part listed is the product of these manufacturers.
Tutti i nostri particolari non sono originali ma con essi intercambiabili. I riferimenti originali, le figure, i modelli sono esposti a semplice titolo indicativo. La nostra produzione riporta il nostro marchio.

MERCEDES Index

MB no.	CEI no.	Tab.	Fig.	MB no.	CEI no.	Tab.	Fig.	MB no.	CEI no.	Tab.	Fig.
354 353 0025	287.068	00620	10	355 353 0026	187.534	00420	18	942 353 0135	170.312	00440	38
355 353 0225	187.618	00420	37	355 353 0026	187.534	00460	18	942 353 0235	170.273	00520	32
355 353 0225	187.618	00460	32	355 353 0026	187.534	00480	18	942 353 0435	105.217	00500	9
355 353 0325	187.615	00420	6	355 353 0126	187.616	00420	28	942 353 0435	105.217	00520	9
355 353 0325	187.615	00460	6	355 353 0126	187.616	00460	40	944 353 0235	170.275	00500	37
355 353 0325	187.615	00480	6	355 353 0126	187.616	00480	28	944 353 0335	101.172	00500	26
360 353 0025	287.054	00470	8	942 353 0228	269.387	00510	11	948 353 0035	107.242	00500	24
360 353 0025	287.054	00570	10	942 353 0228	269.387	00530	14	948 353 0035	107.242	00520	24
366 353 0225	187.249	00630	15	942 353 0428	128.229	00530	10	346 353 0836	154.146	00440	9
371 353 0025	187.620	00430	33	942 353 0428	128.229	00690	11	346 353 1136	154.320	00440	21
371 353 0025	187.620	00540	12	944 353 0328	139.893	00680	11	355 353 0736	154.160	00420	9
385 353 0025	287.053	00470	3	346 353 1429	169.836	00550	6	355 353 1236	154.319	00420	21
385 353 1025	287.050	00460	32	346 353 1429	169.836	00550	42	355 353 1236	154.319	00460	9
385 353 1025	287.050	00480	35	355 353 0129	169.828	00540	6	355 353 1236	154.319	00480	9
615 353 0025	287.089	00670	10	338 353 0132	149.267	00610	14	942 353 0236	154.406	00500	10
615 353 0125	287.055	00580	5	355 353 0234	141.144	00420	42	942 353 0236	154.406	00520	10
615 353 0225	287.056	00490	3	355 353 0234	141.144	00440	42	327 353 0338	117.447	00610	12
615 353 0325	287.057	00490	9	385 353 0034	141.229	00460	36	327 353 0438	117.448	00610	13
615 353 0325	287.057	00580	11	385 353 0034	141.229	00480	39	305 353 0345	155.195	00540	3
615 353 0325	287.057	00670	10	942 353 0134	141.231	00500	25	315 353 0045	155.066	00630	2
652 353 0025	187.515	00450	32	942 353 0134	141.231	00520	25	315 353 0045	155.066	00630	29
652 353 0025	187.515	00550	12	343 353 0335	101.033	00630	32	355 353 1245	155.266	00540	3
674 353 0025	287.072	00650	9	346 353 0335	105.079	00440	8	355 353 1445	155.211	00540	3
942 353 0125	287.076	00530	12	346 353 0435	170.102	00440	38	355 353 2245	155.194	00540	3
942 353 0225	287.074	00500	36	346 353 0535	190.349	00420	43	355 353 2245	155.194	00680	2
942 353 0225	287.074	00520	31	346 353 0535	190.349	00440	43	355 353 2345	155.196	00420	2
942 353 0425	287.058	00500	5	346 353 0535	190.349	00460	37	355 353 2445	197.169	00540	3
942 353 0425	287.058	00520	5	346 353 0535	190.349	00480	40	355 353 2445	197.169	00680	2
942 353 0925	287.059	00500	5	346 353 0735	105.161	00440	20	385 353 0945	155.279	00580	2
942 353 0925	287.059	00520	5	355 353 0135	170.126	00420	38	385 353 1045	155.280	00580	2
942 353 1025	287.086	00520	31	355 353 0235	105.086	00420	8	385 353 1145	155.282	00580	2
944 353 0025	287.061	00510	13	355 353 0235	105.086	00460	8	385 353 1345	155.281	00580	2
944 353 0025	287.061	00680	8	355 353 0235	105.086	00480	8	386 353 0745	155.285	00610	2
944 353 0225	287.060	00510	12	355 353 0335	170.302	00460	33	653 353 0145	155.276	00420	2
946 353 0025	287.063	00710	8	355 353 0735	170.298	00420	38	653 353 0145	155.276	00460	2
946 353 0125	287.064	00710	11	355 353 0935	105.160	00420	20	901 353 0145	155.305	00640	2
948 353 0025	287.065	00700	9	355 353 0935	105.160	00460	39	942 353 0745	155.298	00500	2
970 353 0025	287.066	00530	15	355 353 0935	105.160	00480	21	942 353 0745	155.298	00520	2
970 353 0025	287.066	00650	11	385 353 0335	170.297	00420	38	942 353 1045	155.299	00500	2
970 353 0025	287.066	00690	8	385 353 0335	170.297	00460	33	942 353 1045	155.299	00520	2
970 353 0025	287.066	00700	12	385 353 0435	170.300	00480	36	942 353 1145	155.300	00500	2
346 353 0126	187.507	00440	18	385 353 0535	170.301	00480	36	942 353 1245	155.304	00520	2
346 353 0326	187.621	00440	28	385 353 0835	170.299	00420	38	942 353 1545	298.217	00500	6

Date

04 / 2011

Table

Index

Index MERCEDES

MB no.	CEI no.	Tab.	Fig.	MB no.	CEI no.	Tab.	Fig.	MB no.	CEI no.	Tab.	Fig.
944 353 0245	155.301	00500	29	346 353 0952	169.833	00450	35	308 353 0062	169.807	00540	35
000 353 1450	117.395	00500	14	346 353 0952	169.833	00550	42	308 353 0062	169.807	00680	18
000 353 1450	117.395	00520	14	346 353 1352	169.834	00450	35	314 353 0962	269.379	00600	12
346 353 0350	117.446	00450	37	346 353 1352	169.834	00550	42	327 353 2162	169.675	00610	27
346 353 0450	117.235	00440	12	346 353 1452	169.835	00450	35	327 353 2462	169.676	00610	25
346 353 0650	117.236	00440	17	346 353 1452	169.835	00550	42	327 353 3962	169.265	00610	19
346 353 0950	117.083	00450	15	346 353 1852	169.837	00550	42	327 353 3962	169.265	00620	13
346 353 0950	117.083	00450	23	346 353 2252	169.838	00550	42	327 353 4662	169.266	00610	21
346 353 0950	117.083	00550	21	355 353 0152	139.579	00430	36	327 353 4662	169.266	00620	15
346 353 0950	117.083	00550	29	355 353 0152	139.579	00540	38	346 353 1762	169.524	00440	10
355 353 0750	117.253	00430	17	355 353 0552	139.580	00430	36	346 353 1862	169.636	00440	10
355 353 0750	117.253	00540	22	355 353 0552	139.580	00540	38	346 353 1962	169.637	00440	10
355 353 0950	117.277	00420	12	355 353 0652	139.581	00430	36	346 353 2262	169.137	00450	9
355 353 0950	117.277	00460	12	355 353 0652	139.581	00540	38	346 353 2262	169.137	00450	19
355 353 0950	117.277	00480	12	355 353 1052	139.897	00540	38	346 353 2262	169.137	00450	27
355 353 1050	117.278	00420	17	355 353 1252	139.898	00540	38	346 353 2262	169.137	00550	17
355 353 1050	117.278	00460	17	355 353 1352	139.899	00540	38	346 353 2262	169.137	00550	25
355 353 1050	117.278	00480	17	355 353 1452	139.900	00540	38	346 353 2262	169.137	00550	33
653 353 0050	117.352	00420	25	611 353 0052	269.403	00640	11	346 353 2462	169.497	00440	30
653 353 0050	117.352	00460	22	611 353 0152	269.405	00640	11	346 353 2562	169.525	00440	30
653 353 0050	117.352	00480	25	611 353 0252	269.394	00640	11	346 353 2662	269.184	00440	10
659 353 0050	117.300	00440	25	611 353 0352	269.396	00640	11	355 353 0562	169.589	00430	9
942 353 0150	117.449	00530	4	611 353 0452	269.398	00640	11	355 353 0562	169.589	00430	15
346 353 3251	115.006	00450	14	611 353 0552	269.400	00640	11	355 353 0562	169.589	00430	23
346 353 3251	115.006	00450	22	611 353 0652	269.402	00640	11	355 353 0562	169.589	00540	18
346 353 3251	115.006	00550	20	611 353 0752	269.404	00640	11	355 353 0562	169.589	00540	26
346 353 3251	115.006	00550	28	611 353 5152	269.393	00640	11	355 353 0562	169.589	00540	35
355 353 6051	115.010	00430	16	611 353 5252	269.395	00640	11	355 353 1862	169.670	00420	10
355 353 6051	115.010	00540	21	611 353 5352	269.397	00640	11	355 353 1862	169.670	00460	10
395 353 0351	117.353	00430	26	611 353 5452	269.399	00640	11	355 353 1862	169.670	00480	10
395 353 0351	117.353	00540	31	611 353 5552	269.401	00640	11	355 353 1962	169.669	00420	10
395 353 0551	115.025	00430	24	343 353 0153	269.383	00630	31	355 353 1962	169.669	00460	10
395 353 0551	115.025	00540	29	942 353 0159	139.891	00500	3	355 353 1962	169.669	00480	10
615 353 0051	115.015	00490	17	942 353 0159	139.891	00500	28	355 353 2062	169.668	00420	10
615 353 0051	115.015	00580	21	942 353 0159	139.891	00520	3	355 353 2062	169.668	00480	10
615 353 0051	115.015	00670	14	304 353 0162	169.133	00630	12	355 353 2262	169.671	00420	30
653 353 0051	169.822	00420	24	304 353 0362	169.244	00630	8	355 353 2262	169.671	00460	25
653 353 0051	169.822	00460	21	308 353 0062	169.807	00430	9	355 353 2262	169.671	00480	20
653 353 0051	169.822	00480	24	308 353 0062	169.807	00430	15	355 353 2362	169.672	00420	30
659 353 0051	169.739	00440	24	308 353 0062	169.807	00430	23	355 353 2362	169.672	00460	25
327 353 2952	169.677	00610	23	308 353 0062	169.807	00510	18	355 353 2362	169.672	00480	20
327 353 3052	269.384	00610	23	308 353 0062	169.807	00540	18	355 353 2462	169.823	00420	30
327 353 6552	269.385	00610	30	308 353 0062	169.807	00540	26	355 353 2462	169.823	00460	25

All original equipment manufacturers numbers, symbols, pictures, models and description used in this catalogue are for reference only, and it is implied that any part listed is the product of these manufacturers. Tutti i nostri particolari non sono originali ma con essi intercambiabili. I riferimenti originali, le figure, i modelli sono esposti a semplice titolo indicativo. La nostra produzione riporta il nostro marchio.

MERCEDES Index

MB no.	CEI no.	Tab.	Fig.	MB no.	CEI no.	Tab.	Fig.	MB no.	CEI no.	Tab.	Fig.
355 353 2462	169.823	00480	20	355 353 0176	169.582	00460	24	355 354 0709	150.148	00720	4
355 353 2562	169.821	00420	10	355 353 0176	169.582	00480	16	355 354 1809	150.125	00720	4
355 353 2662	169.824	00420	30	355 353 0176	169.582	00480	27	355 354 1909	150.149	00720	4
355 353 2662	169.824	00460	25	395 353 0277	169.827	00430	28	355 354 2409	150.151	00720	4
355 353 2662	169.824	00480	20	395 353 0277	169.827	00540	33	355 354 2509	150.150	00720	4
380 353 0162	269.380	00600	12	346 353 0085	146.312	00450	3	355 354 2709	150.239	00720	4
385 353 1262	169.639	00490	12	346 353 0385	196.258	00440	11	355 354 2809	150.238	00720	4
385 353 1262	169.639	00580	16	354 353 0085	147.087	00610	15	315 354 0610	163.067	00630	21
385 353 1262	169.639	00610	21	355 353 0085	146.313	00430	3	326 354 1310	163.090	00630	21
385 353 1262	169.639	00620	15	355 353 0285	146.530	00430	3	326 354 1410	163.066	00630	21
385 353 2262	169.640	00490	14	385 353 0085	244.091	00460	11	326 354 1012	123.091	00630	24
385 353 2262	169.640	00490	22	385 353 0085	244.091	00480	11	326 354 1112	123.089	00630	24
385 353 2262	169.640	00580	14	385 353 0385	146.726	00470	2	326 354 1212	123.116	00630	24
385 353 2262	169.640	00580	20	385 353 0385	146.726	00490	2	346 354 0412	123.132	00730	6
385 353 4062	169.692	00490	14	942 353 0185	145.953	00520	13	346 354 0512	123.149	00720	6
385 353 4062	169.692	00490	22	942 353 0285	145.950	00520	13	346 354 1112	123.312	00740	6
385 353 4062	169.692	00580	14	944 353 0085	146.648	00510	2	346 354 1312	123.237	00740	6
385 353 4062	169.692	00580	20	944 353 0185	145.952	00500	13	346 354 1412	123.205	00730	6
615 353 0262	169.693	00490	20	944 353 0285	145.951	00500	13	346 354 2612	123.240	00730	6
615 353 0262	169.693	00580	24	944 353 0385	146.647	00510	2	346 354 2812	123.297	00740	6
615 353 0262	169.693	00670	17	327 353 0586	157.088	00610	24	346 354 3212	123.298	00740	6
615 353 0462	269.602	00670	13	346 353 0090	139.894	00440	3	346 354 3712	123.299	00720	6
669 353 1362	269.389	00590	12	355 353 0391	139.890	00420	3	346 354 4312	123.303	00730	6
669 353 1762	269.388	00590	12	355 353 0391	139.890	00460	3	346 354 4412	123.300	00730	6
674 353 0262	269.508	00600	12	355 353 0391	139.890	00480	3	355 354 0312	123.235	00720	6
674 353 0362	169.138	00470	14	346 354 0909	150.095	00730	4	355 354 0412	123.241	00730	6
674 353 0362	169.138	00560	13	346 354 1009	150.096	00720	4	355 354 1212	123.236	00720	6
674 353 0362	169.138	00560	19	346 354 1109	150.043	00730	4	355 354 1312	123.191	00720	6
674 353 0362	169.138	00570	13	346 354 2309	150.229	00740	4	355 354 1512	123.239	00730	6
676 353 0162	269.386	00470	14	346 354 2409	150.232	00740	4	355 354 2712	123.238	00720	6
676 353 0162	269.386	00560	13	346 354 2709	150.126	00740	4	355 354 3012	123.301	00720	6
676 353 0162	269.386	00560	19	346 354 2809	150.226	00740	4	355 354 3212	123.319	00720	6
676 353 0162	269.386	00570	13	346 354 3009	150.129	00730	4	305 354 0217	157.651	00730	7
676 353 0162	269.386	00650	15	346 354 3109	150.130	00730	4	305 354 0317	157.648	00720	7
676 353 0162	269.386	00660	13	346 354 4209	150.154	00730	4	346 354 0417	157.050	00730	7
942 353 0062	269.127	00500	11	346 354 4309	150.153	00730	4	346 354 0517	157.087	00720	7
942 353 0062	269.127	00520	11	346 354 5009	150.227	00740	4	346 354 0917	157.999	00740	7
946 353 0062	269.033	00710	13	346 354 5109	150.228	00740	4	346 354 1717	157.655	00730	7
948 353 0062	269.034	00700	14	346 354 5709	150.230	00730	4	346 354 1917	157.654	00720	7
354 353 0174	107.092	00610	28	346 354 5809	150.231	00730	4	346 354 2217	157.721	00740	7
355 353 0176	169.582	00420	16	346 354 7309	150.233	00740	4	346 354 2417	157.724	00730	7
355 353 0176	169.582	00420	27	346 354 7409	150.234	00740	4	346 354 2517	157.725	00720	7
355 353 0176	169.582	00460	16	346 354 9509	150.235	00740	4	346 354 3017	157.726	00740	7

Date

04 / 2011

Table

Index

Index MERCEDES

MB no.	CEI no.	Tab.	Fig.	MB no.	CEI no.	Tab.	Fig.	MB no.	CEI no.	Tab.	Fig.
346 354 4117	157.728	00720	7	385 357 0501	170.307	00560	23	000 543 5485	189.689	00325	43
355 354 0317	157.647	00720	7	385 357 1501	170.225	00620	17	000 543 5485	189.689	00335	43
355 354 0417	157.650	00730	7	385 357 4801	170.311	00470	17	000 543 5485	189.689	00355	43
355 354 1217	157.722	00740	7	385 357 4801	170.311	00570	18	000 543 5485	189.689	00365	43
355 354 1817	157.652	00730	7	385 357 5001	170.309	00470	17	000 543 5485	189.689	00375	43
355 354 2117	157.649	00720	7	385 357 5001	170.309	00570	17	000 543 5485	189.689	00385	43
355 354 2417	157.723	00740	7	385 357 5501	170.289	00580	27	000 543 5785	188.242	00265	43
355 354 2517	157.729	00730	7	385 357 6001	170.290	00490	24	000 543 5785	188.242	00275	29
355 354 2717	157.730	00720	7	385 357 6001	170.290	00580	27	000 543 5785	188.242	00285	43
355 354 3017	157.731	00740	7	652 357 0301	170.291	00490	24	000 543 5785	188.242	00315	29
355 354 3517	157.732	00730	7	652 357 0301	170.291	00580	27	000 543 5785	188.242	00325	43
355 354 3617	157.733	00720	7	658 357 0601	170.132	00730	2	000 543 5785	188.242	00335	43
335 356 0205	170.045	00630	27	658 357 0601	170.132	00740	2	000 543 5785	188.242	00355	43
346 356 1415	139.198	00720	1	658 357 0801	170.140	00720	2	000 543 5785	188.242	00365	43
346 356 1415	139.198	00730	1	658 357 0801	170.140	00730	2	000 543 5785	188.242	00375	43
355 356 1215	169.523	00720	1	658 357 0801	170.140	00740	2	000 543 5785	188.242	00385	43
355 356 1215	169.523	00730	1	658 357 0901	170.141	00720	3	309 586 0135	298.212	00590	15
355 356 1215	169.523	00740	1	658 357 0901	170.141	00730	3	318 586 0135	298.214	00600	15
303 356 0026	187.252	00630	25	658 357 0901	170.141	00740	3	343 586 0135	198.131	00630	13
674 356 0226	187.622	00440	32	658 357 1501	170.316	00720	3	354 586 0035	198.260	00610	22
674 356 0226	187.622	00500	31	659 357 1001	170.130	00720	2	354 586 0035	198.260	00620	16
674 356 0226	187.622	00520	26	659 357 1001	170.130	00730	2	358 586 0035	198.130	00470	15
304 356 0073	111.378	00630	26	659 357 1001	170.130	00740	2	358 586 0035	198.130	00560	22
301 357 0201	170.315	00580	27	659 357 1101	170.131	00720	3	358 586 0035	198.130	00570	16
301 357 0301	170.303	00560	23	659 357 1101	170.131	00740	3	381 586 0135	198.129	00560	16
309 357 0401	170.292	00590	16	674 357 0001	170.296	00600	16	387 586 0035	198.128	00450	20
310 357 0601	170.295	00600	16	904 357 0201	170.313	00640	15	387 586 0035	198.128	00550	26
310 357 0701	170.293	00590	16	948 357 0101	170.285	00700	18	393 586 0035	198.365	00430	20
310 357 1101	170.294	00600	16	948 357 1001	170.287	00700	18	393 586 0035	198.365	00540	27
314 357 0501	170.047	00600	16	970 357 0401	170.317	00650	19	003 891 8305	See 011 981 7605		
322 357 2601	170.029	00560	23	970 357 0601	170.314	00650	19	000 980 9002	See 011 981 7705		
346 357 1801	170.028	00730	3	975 357 0601	298.229	00670	19	001 980 6802	130.867	00640	8
346 357 1801	170.028	00740	3	335 357 0102	170.046	00630	20	000 980 4610	137.341	00100	41
355 357 0701	170.127	00720	2	320 357 0020	189.228	00630	19	000 980 4810	See 000 980 4610		
355 357 0701	170.127	00730	2	320 357 0120	189.227	00630	18	000 981 1201	130.854	00010	39
355 357 0801	170.128	00720	3	320 357 0121	128.041	00630	17	000 981 4301	130.866	00630	22
355 357 1001	170.129	00720	3	320 357 0053	155.058	00630	35	001 981 0601	130.868	00630	5
383 357 0501	170.305	00560	23	629 430 0046	105.250	00060	66	001 981 1701	130.831	00010	2
383 357 0601	170.306	00560	23	629 430 0146	See 629 430 0246			003 981 0001	See 008 981 9501		
385 357 0101	170.310	00470	17	629 430 0246	105.246	00060	66	003 981 2901	130.880	00600	5
385 357 0101	170.310	00570	18	629 430 0246	105.246	00060	66	003 981 4701	See 008 981 9501		
385 357 0301	170.308	00470	17	000 543 5485	189.689	00265	43	004 981 3301	See 008 981 5201		
385 357 0301	170.308	00570	17	000 543 5485	189.689	00285	43	004 981 3601	130.585	00090	58

Date

04 / 2011

Table

Index

All original equipment manufacturers numbers, symbols, pictures, models and description used in this catalogue are for reference only, and it is implied that any part listed is the product of these manufacturers. Tutti i nostri particolari non sono originali ma con essi intercambiabili. I riferimenti originali, le figure, i modelli sono esposti a semplice titolo indicativo. La nostra produzione riporta il nostro marchio.

MERCEDES Index

MB no.	CEI no.	Tab.	Fig.	MB no.	CEI no.	Tab.	Fig.	MB no.	CEI no.	Tab.	Fig.
004 981 3701	<i>See 004 981 3601</i>			008 981 9501	130.576	00070	3	003 981 1205	130.879	00610	5
004 981 4301	<i>See 008 981 9501</i>			008 981 9501	130.576	00080	9	003 981 1205	130.879	00620	6
004 981 5101	<i>See 000 981 1201</i>			010 981 4901	130.846	00110	52	003 981 3105	130.598	00450	5
004 981 6301	<i>See 008 981 9501</i>			010 981 4901	130.846	00120	52	003 981 3105	130.598	00530	5
004 981 7201	<i>See 004 981 3601</i>			010 981 4901	130.846	00130	56	003 981 3105	130.598	00550	7
005 981 8401	<i>See 008 981 5301</i>			010 981 4901	130.846	00150	52	003 981 3105	130.598	00690	5
006 981 0101	<i>See 008 981 5301</i>			345 981 7001	<i>See 000 981 1201</i>			003 981 3205	130.599	00450	31
006 981 2701	<i>See 008 981 5301</i>			345 981 8201	<i>See 000 981 1201</i>			003 981 3205	130.599	00550	11
006 981 8301	<i>See 008 981 8901</i>			000 981 8905	<i>See 016 981 1205</i>			003 981 4105	130.319	00430	32
006 981 8401	<i>See 008 981 8901</i>			001 981 3105	130.573	00010	43	003 981 4105	130.319	00540	10
006 981 8601	<i>See 008 981 8901</i>			001 981 3105	130.573	00020	53	003 981 7005	130.318	00430	5
006 981 8701	<i>See 008 981 5301</i>			001 981 3105	130.573	00020	59	003 981 7005	130.318	00450	4
007 981 0101	<i>See 008 981 8901</i>			001 981 3105	130.573	00020	62	003 981 7005	130.318	00540	7
007 981 0201	130.890	00480	29	001 981 3105	130.573	00040	46	003 981 7005	130.318	00680	5
007 981 2001	130.577	00040	3	001 981 3105	130.573	00070	46	003 981 7805	130.317	00430	4
007 981 2001	130.577	00070	3	001 981 5005	<i>See 001 981 3105</i>			003 981 8305	<i>See 011 981 7605</i>		
007 981 2001	130.577	00080	9	001 981 5105	<i>See 010 981 5905</i>			004 981 2905	130.882	00660	9
007 981 5701	<i>See 008 981 5201</i>			001 981 6005	130.869	00590	8	004 981 4205	<i>See 011 981 7605</i>		
007 981 5801	<i>See 008 981 5301</i>			001 981 6005	130.869	00600	8	005 981 2405	130.884	00640	5
007 981 8201	130.563	00265	34	001 981 8505	130.871	00630	16	005 981 4005	<i>See 011 981 7605</i>		
007 981 8201	130.563	00285	20	001 981 8905	130.838	00020	58	005 981 4605	130.320	00540	5
007 981 8201	130.563	00295	20	001 981 8905	130.838	00590	8	005 981 4605	130.320	00680	4
007 981 8201	130.563	00325	34	001 981 9405	130.872	00600	5	005 981 9405	130.885	00600	8
007 981 8201	130.563	00335	20	001 981 9705	<i>See 016 981 1205</i>			006 981 0005	130.883	00490	8
007 981 8201	130.563	00355	34	001 981 9905	130.873	00610	4	006 981 0005	130.883	00580	10
007 981 8201	130.563	00365	34	001 981 9905	130.873	00620	5	006 981 0005	130.883	00670	9
007 981 8201	130.563	00375	34	002 981 0205	<i>See 016 981 1205</i>			006 981 0605	130.886	00630	14
007 981 8201	130.563	00385	34	002 981 1105	130.874	00470	4	006 981 1005	130.887	00630	4
008 981 5201	130.574	00030	3	002 981 1105	130.874	00560	5	006 981 1705	130.888	00490	4
008 981 5201	130.574	00040	3	002 981 1105	130.874	00570	5	006 981 1705	130.888	00580	6
008 981 5201	130.574	00050	3	002 981 1305	<i>See 011 981 7705</i>			006 981 3505	130.889	00490	5
008 981 5201	130.574	00070	3	002 981 1605	130.875	00560	9	006 981 3505	130.889	00580	7
008 981 5201	130.574	00090	13	002 981 1605	130.875	00660	9	006 981 3505	130.889	00670	6
008 981 5301	130.572	00030	42	002 981 4505	130.324	00530	3	006 981 4205	<i>See 010 981 5905</i>		
008 981 5301	130.572	00040	44	002 981 4505	130.324	00550	5	006 981 4305	<i>See 001 981 3105</i>		
008 981 5301	130.572	00050	43	002 981 4505	130.324	00670	4	006 981 5305	<i>See 001 981 3105</i>		
008 981 5301	130.572	00070	44	002 981 4505	130.324	00690	4	006 981 5605	<i>See 011 981 7705</i>		
008 981 5301	130.572	00090	53	002 981 6605	<i>See 011 981 7705</i>			006 981 7605	130.916	00510	10
008 981 8901	130.582	00070	44	002 981 7905	<i>See 011 981 7605</i>			006 981 7605	130.916	00530	13
008 981 9501	130.576	00020	3	002 981 8805	130.876	00600	5	006 981 7605	130.916	00680	7
008 981 9501	130.576	00020	39	002 981 9405	130.877	00590	5	007 981 0405	<i>See 011 981 7705</i>		
008 981 9501	130.576	00020	50	002 981 9705	130.878	00470	7	007 981 1005	<i>See 009 981 3105</i>		
008 981 9501	130.576	00040	3	002 981 9705	130.878	00570	9	007 981 5305	130.891	00640	3

Date

04 / 2011

Table

Index

Index MERCEDES

MB no.	CEI no.	Tab.	Fig.	MB no.	CEI no.	Tab.	Fig.	MB no.	CEI no.	Tab.	Fig.
008 981 1605	130.892	00600	5	009 981 6305	See 017 981 3205			011 981 1305	130.550	00350	7
008 981 2205	See 014 981 1405			009 981 6805	See 017 981 3205			011 981 1305	130.550	00360	6
008 981 2605	See 011 981 1305			009 981 7905	130.893	00710	7	011 981 1305	130.550	00370	5
008 981 2805	130.551	00180	5	009 981 8305	See 009 981 8905			011 981 1305	130.550	00380	6
008 981 2805	530.551	00180	5	009 981 8605	See 010 981 5205			011 981 1305	130.550	00390	3
008 981 2805	130.551	00190	11	009 981 8705	See 010 981 5205			011 981 1305	130.550	00400	3
008 981 2805	530.551	00190	11	009 981 8905	130.580	00060	48	011 981 1405	See 011 981 1305		
008 981 2805	130.551	00210	11	009 981 9005	See 009 981 8905			011 981 1505	See 011 981 1305		
008 981 2805	530.551	00210	11	009 981 9805	See 009 981 8905			011 981 1605	See 011 981 1305		
008 981 2805	130.551	00230	12	010 981 2005	See 010 981 5205			011 981 3405	130.894	00660	5
008 981 2805	530.551	00230	12	010 981 2405	130.545	00160	14	011 981 3605	130.895	00710	10
008 981 2805	130.551	00250	5	010 981 2705	See 010 981 5205			011 981 5205	See 015 981 1605		
008 981 2805	530.551	00250	5	010 981 2805	See 016 981 1205			011 981 6005	130.562	00260	17
008 981 2905	See 014 981 1405			010 981 2905	See 016 981 1205			011 981 7605	130.557	00190	14
008 981 3005	See 014 981 6105			010 981 3005	See 010 981 5205			011 981 7605	530.557	00190	14
008 981 3205	See 011 981 1305			010 981 3105	See 010 981 2405			011 981 7605	130.557	00210	14
008 981 3305	See 014 981 1405			010 981 5205	130.541	00160	45	011 981 7605	530.557	00210	14
008 981 4005	See 008 981 2805			010 981 5505	See 016 981 1205			011 981 7605	130.557	00230	15
008 981 4105	See 014 981 6105			010 981 5605	See 011 981 1305			011 981 7605	530.557	00230	15
008 981 4205	See 014 981 1405			010 981 5805	See 010 981 2405			011 981 7605	130.557	00260	16
008 981 4605	See 011 981 1305			010 981 5905	130.542	00040	51	011 981 7605	530.557	00260	16
008 981 7105	See 008 981 8005			010 981 5905	130.542	00070	51	011 981 7705	130.546	00160	60
008 981 7305	See 008 981 8005			010 981 5905	130.542	00080	56	011 981 7705	130.546	00190	16
008 981 7805	See 008 981 8005			010 981 5905	130.542	00160	41	011 981 7705	130.546	00210	16
008 981 8005	130.543	00160	38	010 981 6305	See 010 981 5905			011 981 7705	130.546	00230	17
008 981 8605	See 011 981 1305			011 981 1305	130.550	00060	4	011 981 7705	130.546	00260	22
008 981 8705	See 014 981 6105			011 981 1305	130.550	00180	3	011 981 9705	See 015 981 1605		
008 981 8805	See 016 981 1205			011 981 1305	130.550	00190	3	011 981 9905	See 015 981 1605		
009 981 0305	See 010 981 5905			011 981 1305	130.550	00200	4	012 981 0405	See 014 981 6105		
009 981 0605	See 009 981 6205			011 981 1305	130.550	00210	3	012 981 1405	See 011 981 7605		
009 981 0705	See 017 981 3205			011 981 1305	130.550	00220	4	012 981 2805	130.803	00140	12
009 981 1005	See 009 981 6205			011 981 1305	130.550	00230	4	012 981 3405	See 013 981 0305		
009 981 3105	130.571	00030	44	011 981 1305	130.550	00240	4	012 981 3505	See 013 981 0405		
009 981 3105	130.571	00030	49	011 981 1305	130.550	00250	3	012 981 3605	130.587	00060	68
009 981 3105	130.571	00040	46	011 981 1305	130.550	00260	7	012 981 3605	130.587	00200	66
009 981 3105	130.571	00040	51	011 981 1305	130.550	00270	3	012 981 3605	130.587	00220	56
009 981 3105	130.571	00050	46	011 981 1305	130.550	00280	6	012 981 3605	130.587	00240	53
009 981 3105	130.571	00050	51	011 981 1305	130.550	00290	4	012 981 3605	130.587	00300	53
009 981 3105	130.571	00070	46	011 981 1305	130.550	00300	4	012 981 3605	130.587	00340	40
009 981 3105	130.571	00090	55	011 981 1305	130.550	00310	3	012 981 3705	130.581	00060	48
009 981 4605	See 017 981 3205			011 981 1305	130.550	00320	7	012 981 3705	130.581	00200	46
009 981 4705	See 009 981 6205			011 981 1305	130.550	00330	6	012 981 3705	130.581	00220	47
009 981 6205	130.549	00160	3	011 981 1305	130.550	00340	4	012 981 3705	130.581	00240	44

All original equipment manufacturers numbers, symbols, pictures, models and description used in this catalogue are for reference only, and it is implied that any part listed is the product of these manufacturers. Tutti i nostri particolari non sono originali ma con essi intercambiabili. I riferimenti originali, le figure, i modelli sono esposti a semplice titolo indicativo. La nostra produzione riporta il nostro marchio.

MERCEDES Index

MB no.	CEI no.	Tab.	Fig.	MB no.	CEI no.	Tab.	Fig.	MB no.	CEI no.	Tab.	Fig.
012 981 3705	130.581	00300	44	014 981 1405	130.554	00210	45	014 981 6105	130.552	00290	34
012 981 3705	130.581	00340	34	014 981 1405	130.554	00220	51	014 981 6105	130.552	00320	50
012 981 3905	<i>See 014 981 6105</i>			014 981 1405	130.554	00230	44	014 981 6105	130.552	00330	40
012 981 4405	<i>See 014 981 1405</i>			014 981 1405	130.554	00240	48	014 981 6105	130.552	00350	50
012 981 5105	<i>See 014 981 1405</i>			014 981 1405	130.554	00250	40	014 981 6105	130.552	00360	36
012 981 6405	<i>See 016 981 1205</i>			014 981 1405	130.554	00260	53	014 981 6105	130.552	00370	40
012 981 7205	<i>See 014 981 1405</i>			014 981 1405	130.554	00270	28	014 981 6105	130.552	00380	36
012 981 7405	<i>See 014 981 1405</i>			014 981 1405	130.554	00280	44	014 981 6105	130.552	00390	26
012 981 7505	<i>See 016 981 1205</i>			014 981 1405	130.554	00290	37	014 981 6105	130.552	00400	26
012 981 8105	<i>See 015 981 1605</i>			014 981 1405	130.554	00300	48	014 981 7505	<i>See 014 981 6105</i>		
012 981 8205	<i>See 015 981 1605</i>			014 981 1405	130.554	00310	28	014 981 7605	130.908	00650	5
012 981 8505	130.896	00470	5	014 981 1405	130.554	00320	53	014 981 8905	<i>See 011 981 1305</i>		
012 981 8505	130.896	00560	6	014 981 1405	130.554	00330	44	014 981 9005	<i>See 011 981 1305</i>		
012 981 8505	130.896	00570	6	014 981 1405	130.554	00350	53	015 981 1605	130.558	00060	8
012 981 8505	130.896	00660	6	014 981 1405	130.554	00360	41	015 981 1605	130.558	00200	8
012 981 8805	<i>See 016 981 1205</i>			014 981 1405	130.554	00370	43	015 981 1605	130.558	00220	8
012 981 8905	<i>See 014 981 6105</i>			014 981 1405	130.554	00380	41	015 981 1605	130.558	00240	7
012 981 9205	<i>See 016 981 1205</i>			014 981 1505	<i>See 015 981 7605</i>			015 981 1605	130.558	00260	15
012 981 9305	<i>See 014 981 6105</i>			014 981 1905	130.556	00270	10	015 981 1605	130.558	00270	14
012 981 9405	<i>See 016 981 1205</i>			014 981 1905	130.556	00280	15	015 981 1605	130.558	00290	6
012 981 9605	130.861	00340	36	014 981 1905	130.556	00310	10	015 981 1605	130.558	00300	7
013 981 0305	130.827	00140	13	014 981 1905	130.556	00330	15	015 981 1605	130.558	00310	14
013 981 0305	530.827	00140	13	014 981 1905	130.556	00360	15	015 981 1605	130.558	00320	15
013 981 0405	130.804	00140	20	014 981 1905	130.556	00380	15	015 981 1605	130.558	00350	15
013 981 0505	<i>See 015 981 1605</i>			014 981 1905	130.556	00390	10	015 981 1605	130.558	00370	13
013 981 0605	<i>See 014 981 1405</i>			014 981 1905	130.556	00400	10	015 981 1705	130.860	00340	13
013 981 0805	<i>See 015 981 7605</i>			014 981 2005	130.906	00700	5	015 981 2005	<i>See 015 981 7605</i>		
013 981 1105	<i>See 015 981 1605</i>			014 981 2005	130.906	00710	4	015 981 3405	<i>See 016 981 7205</i>		
013 981 6905	<i>See 015 981 7605</i>			014 981 2205	130.909	00710	5	015 981 3505	<i>See 017 981 3805</i>		
013 981 7305	<i>See 016 981 1205</i>			014 981 3005	<i>See 015 981 7605</i>			015 981 3705	<i>See 016 981 7105</i>		
013 981 8405	<i>See 016 981 1205</i>			014 981 3305	<i>See 011 981 7605</i>			015 981 3805	<i>See 016 981 7205</i>		
013 981 8505	<i>See 014 981 3905</i>			014 981 3905	130.828	00140	3	015 981 3905	<i>See 016 981 7105</i>		
013 981 9905	<i>See 014 981 3905</i>			014 981 3905	530.828	00140	3	015 981 4005	<i>See 012 981 3705</i>		
014 981 0205	<i>See 015 981 7605</i>			014 981 4005	<i>See 011 981 1305</i>			015 981 4105	<i>See 012 981 3605</i>		
014 981 0705	<i>See 015 981 7605</i>			014 981 4905	130.897	00700	6	015 981 5005	<i>See 017 981 3805</i>		
014 981 0905	<i>See 014 981 3905</i>			014 981 5405	130.898	00700	8	015 981 5405	<i>See 017 981 3805</i>		
014 981 1005	<i>See 014 981 3905</i>			014 981 6105	130.552	00180	36	015 981 5605	<i>See 016 981 7205</i>		
014 981 1405	130.554	00060	50	014 981 6105	130.552	00190	42	015 981 5705	<i>See 016 981 7105</i>		
014 981 1405	130.554	00140	57	014 981 6105	130.552	00210	42	015 981 6205	130.559	00350	24
014 981 1405	130.554	00170	35	014 981 6105	130.552	00230	41	015 981 6205	130.559	00360	19
014 981 1405	130.554	00180	40	014 981 6105	130.552	00250	36	015 981 6205	130.559	00370	16
014 981 1405	130.554	00190	45	014 981 6105	130.552	00260	50	015 981 6205	130.559	00380	19
014 981 1405	130.554	00200	50	014 981 6105	130.552	00280	40	015 981 7405	<i>See 017 981 3805</i>		

Date

04 / 2011

Table

Index

Index MERCEDES

MB no.	CEI no.	Tab.	Fig.	MB no.	CEI no.	Tab.	Fig.	MB no.	CEI no.	Tab.	Fig.
015 981 7605	130.561	00190	14	016 981 1305	See 014 981 6105			007 981 5510	137.204	00060	29
015 981 7605	130.561	00210	14	016 981 1405	130.853	00170	3	007 981 5510	137.204	00090	35
015 981 7605	130.561	00230	15	016 981 1505	130.856	00170	6	007 981 5510	137.204	00140	36
015 981 7605	130.561	00260	16	016 981 1605	See 016 981 0105			007 981 5510	137.204	00140	38
015 981 7605	130.561	00260	17	016 981 1705	See 015 981 9705			007 981 5510	137.204	00200	28
015 981 7605	130.561	00270	12	016 981 3005	See 016 981 7305			007 981 5510	137.204	00200	30
015 981 7605	130.561	00280	16	016 981 3105	See 016 981 7305			007 981 5510	137.204	00220	28
015 981 7605	130.561	00310	12	016 981 7105	130.840	00100	3	007 981 5510	137.204	00220	30
015 981 7605	130.561	00320	17	016 981 7205	130.843	00100	52	007 981 5510	137.204	00240	27
015 981 7605	130.561	00330	16	016 981 7305	130.842	00100	48	007 981 5510	137.204	00240	29
015 981 7605	130.561	00340	14	017 981 2605	130.911	00390	29	007 981 5510	137.204	00300	27
015 981 8005	See 011 981 1305			017 981 2605	130.911	00400	40	007 981 5510	137.204	00300	29
015 981 8405	See 011 981 1305			017 981 3205	130.544	00160	11	008 981 8310	137.182	00030	14
015 981 9005	130.910	00390	28	017 981 3805	130.841	00100	1	008 981 8310	137.182	00040	14
015 981 9005	130.910	00400	28	017 981 3805	130.841	00100	45	008 981 8310	137.182	00050	13
015 981 9605	See 015 981 9705			017 981 5105	130.560	00350	17	008 981 8310	137.182	00090	24
015 981 9705	130.858	00170	44	017 981 5105	130.560	00360	16	008 981 8310	137.182	00170	24
016 981 0005	See 016 981 0105			017 981 5105	130.560	00370	14	008 981 8310	137.182	00180	24
016 981 0105	130.857	00170	32	017 981 5105	130.560	00380	16	008 981 8310	137.182	00190	64
016 981 0205	See 016 981 0105			017 981 5105	130.560	00390	12	008 981 8310	137.182	00210	64
016 981 0305	See 016 981 0105			017 981 5105	130.560	00400	12	008 981 8310	137.182	00230	61
016 981 0405	See 016 981 1505			017 981 7105	130.865	00390	14	008 981 8310	137.182	00250	24
016 981 0505	See 016 981 1505			017 981 7105	130.865	00400	14	008 981 8310	137.182	00260	75
016 981 0605	See 016 981 1505			017 981 7905	130.870	00530	11	008 981 8310	137.182	00270	18
016 981 0705	See 016 981 1505			017 981 7905	130.870	00610	9	008 981 8310	137.182	00280	63
016 981 0805	See 016 981 1405			017 981 7905	130.870	00620	9	008 981 8310	137.182	00310	18
016 981 0905	See 016 981 1405			017 981 7905	130.870	00650	10	008 981 8310	137.182	00330	63
016 981 1005	See 016 981 1405			017 981 7905	130.870	00690	12	008 981 8310	137.182	00350	41
016 981 1105	See 016 981 1405			017 981 7905	130.870	00700	11	008 981 8310	137.182	00370	53
016 981 1205	130.553	00180	43	017 981 8005	130.900	00650	8	008 981 8410	See 008 981 9910		
016 981 1205	130.553	00190	49	017 981 8205	130.899	00510	20	008 981 8510	See 021 981 9410		
016 981 1205	130.553	00210	49	017 981 8205	130.899	00680	12	008 981 8610	See 007 981 5510		
016 981 1205	130.553	00230	48	017 981 8205	130.899	00690	7	008 981 8710	See 008 981 9710		
016 981 1205	130.553	00250	43	942 981 0205	130.791	00520	23	008 981 8810	See 010 981 1210		
016 981 1205	130.553	00260	57	942 981 0405	130.903	00500	7	008 981 8910	See 009 981 0110		
016 981 1205	130.553	00280	48	942 981 0405	130.903	00520	7	008 981 9010	See 009 981 0210		
016 981 1205	130.553	00290	40	942 981 0505	130.902	00510	4	008 981 9210	See 009 981 1410		
016 981 1205	130.553	00320	57	000 981 3810	See 000 980 4610			008 981 9310	See 009 981 1510		
016 981 1205	130.553	00330	48	007 981 2810	137.212	00040	14	008 981 9410	See 009 981 1610		
016 981 1205	130.553	00350	57	007 981 3210	See 007 981 2810			008 981 9510	See 009 981 1710		
016 981 1205	130.553	00360	45	007 981 5510	137.204	00030	25	008 981 9610	See 009 981 1810		
016 981 1205	130.553	00370	47	007 981 5510	137.204	00040	25	008 981 9710	137.199	00030	27
016 981 1205	130.553	00380	45	007 981 5510	137.204	00050	24	008 981 9710	137.199	00040	27

Date

04 / 2011

Table

Index

MERCEDES Index

MB no.	CEI no.	Tab.	Fig.	MB no.	CEI no.	Tab.	Fig.	MB no.	CEI no.	Tab.	Fig.
008 981 9710	137.199	00050	26	009 981 1610	137.186	00050	33	010 981 4910	137.223	00080	16
008 981 9710	137.199	00090	37	009 981 1610	137.186	00050	38	010 981 5110	137.202	00030	51
008 981 9810	<i>See 021 981 9410</i>			009 981 1610	137.186	00070	23	010 981 5110	137.202	00040	53
008 981 9910	137.205	00030	17	009 981 1610	137.186	00070	25	010 981 5110	137.202	00050	53
008 981 9910	137.205	00040	17	009 981 1610	137.186	00090	44	010 981 5110	137.202	00070	53
008 981 9910	137.205	00050	16	009 981 1610	137.186	00090	49	010 981 5110	137.202	00080	64
008 981 9910	137.205	00090	27	009 981 1610	137.186	00190	4	010 981 5110	137.202	00090	65
009 981 0010	<i>See 008 981 8310</i>			009 981 1610	137.186	00210	4	010 981 5210	137.207	00030	51
009 981 0110	137.210	00040	34	009 981 1610	137.186	00230	5	010 981 5210	137.207	00040	53
009 981 0110	137.210	00070	41	009 981 1710	137.203	00030	25	010 981 5210	137.207	00050	53
009 981 0110	137.210	00080	68	009 981 1710	137.203	00040	25	010 981 5210	137.207	00090	65
009 981 0210	137.208	00040	17	009 981 1710	137.203	00050	24	010 981 5310	<i>See 018 981 6610</i>		
009 981 0310	<i>See 010 981 1210</i>			009 981 1710	137.203	00090	35	010 981 6410	<i>See 018 981 6610</i>		
009 981 1410	137.184	00030	14	009 981 1810	137.201	00030	27	010 981 6510	<i>See 010 981 5210</i>		
009 981 1410	137.184	00040	14	009 981 1810	137.201	00040	27	010 981 8610	<i>See 010 981 9310</i>		
009 981 1410	137.184	00050	13	009 981 1810	137.201	00050	26	010 981 9110	<i>See 010 981 9510</i>		
009 981 1410	137.184	00090	24	009 981 1810	137.201	00070	25	010 981 9210	137.219	00070	36
009 981 1410	137.184	00180	12	009 981 1810	137.201	00090	37	010 981 9310	137.216	00070	23
009 981 1410	137.184	00250	12	009 981 1910	<i>See 009 981 4510</i>			010 981 9410	<i>See 010 981 5110</i>		
009 981 1510	137.187	00030	17	009 981 3010	<i>See 009 981 3110</i>			010 981 9510	137.215	00070	13
009 981 1510	137.187	00040	17	009 981 3110	137.214	00070	36	010 981 9610	<i>See 010 981 9210</i>		
009 981 1510	137.187	00050	16	009 981 3410	<i>See 009 981 3510</i>			011 981 7610	137.213	00060	17
009 981 1510	137.187	00060	21	009 981 3510	137.226	00070	16	011 981 9510	<i>See 011 981 7610</i>		
009 981 1510	137.187	00090	27	009 981 3610	137.220	00070	13	012 981 8910	137.181	00180	46
009 981 1510	137.187	00140	28	009 981 3710	<i>See 009 981 3610</i>			012 981 8910	137.181	00190	52
009 981 1510	137.187	00190	41	009 981 4510	137.190	00090	5	012 981 8910	137.181	00210	52
009 981 1510	137.187	00200	21	009 981 4510	137.190	00290	13	012 981 8910	137.181	00230	51
009 981 1510	137.187	00210	41	010 981 1110	<i>See 010 981 4410</i>			012 981 8910	137.181	00250	46
009 981 1510	137.187	00220	20	010 981 1210	137.211	00040	25	012 981 8910	137.181	00260	59
009 981 1510	137.187	00230	40	010 981 1210	137.211	00040	27	012 981 8910	137.181	00280	50
009 981 1510	137.187	00240	19	010 981 1210	137.211	00070	32	012 981 8910	137.181	00290	42
009 981 1510	137.187	00260	49	010 981 1210	137.211	00070	41	012 981 8910	137.181	00320	59
009 981 1510	137.187	00280	39	010 981 1210	137.211	00080	25	012 981 8910	137.181	00330	50
009 981 1510	137.187	00300	19	010 981 1210	137.211	00080	38	012 981 8910	137.181	00350	59
009 981 1510	137.187	00320	49	010 981 1510	137.224	00080	4	012 981 8910	137.181	00360	47
009 981 1510	137.187	00330	39	010 981 1710	137.209	00040	39	012 981 8910	137.181	00370	49
009 981 1510	137.187	00350	49	010 981 1710	137.209	00080	49	012 981 8910	137.181	00380	47
009 981 1510	137.187	00360	35	010 981 2610	<i>See 019 981 1510</i>			012 981 8910	137.181	00390	34
009 981 1510	137.187	00370	39	010 981 4410	137.222	00080	28	012 981 8910	137.181	00400	34
009 981 1510	137.187	00380	35	010 981 4510	<i>See 010 981 1710</i>			012 981 9010	<i>See 012 981 8910</i>		
009 981 1610	137.186	00030	38	010 981 4610	<i>See 010 981 1510</i>			012 981 9110	<i>See 009 981 1510</i>		
009 981 1610	137.186	00040	34	010 981 4710	<i>See 010 981 4910</i>			012 981 9210	<i>See 008 981 8310</i>		
009 981 1610	137.186	00040	39	010 981 4810	<i>See 019 981 1510</i>			012 981 9310	<i>See 018 981 6610</i>		

Date

04 / 2011

Table

Index

Index MERCEDES

MB no.	CEI no.	Tab.	Fig.	MB no.	CEI no.	Tab.	Fig.	MB no.	CEI no.	Tab.	Fig.
012 981 9410	<i>See 009 981 1610</i>			017 981 4510	<i>See 018 981 0510</i>			018 981 6410	137.189	00360	7
013 981 0210	<i>See 012 981 8910</i>			017 981 5010	<i>See 018 981 5310</i>			018 981 6410	137.189	00380	7
013 981 1210	<i>See 021 981 5710</i>			017 981 5210	<i>See 018 981 5610</i>			018 981 6610	137.177	00160	22
013 981 1710	137.180	00160	37	017 981 5310	<i>See 018 981 5610</i>			018 981 6610	137.177	00180	14
013 981 1810	<i>See 013 981 1710</i>			017 981 5610	137.345	00110	14	018 981 6610	137.177	00190	26
013 981 1910	<i>See 013 981 2510</i>			017 981 5610	137.345	00120	14	018 981 6610	137.177	00210	26
013 981 2010	<i>See 013 981 2210</i>			017 981 5610	137.345	00130	15	018 981 6610	137.177	00230	25
013 981 2110	<i>See 013 981 2510</i>			017 981 5610	137.345	00150	15	018 981 6610	137.177	00250	14
013 981 2210	137.175	00160	48	017 981 6010	<i>See 018 981 5710</i>			018 981 6610	137.177	00260	32
013 981 2510	137.178	00160	31	017 981 6110	<i>See 018 981 5710</i>			018 981 6610	137.177	00280	25
013 981 2610	<i>See 013 981 1710</i>			017 981 7510	<i>See 019 981 4610</i>			018 981 6610	137.177	00320	32
013 981 2710	<i>See 019 981 1510</i>			017 981 7610	<i>See 018 981 0510</i>			018 981 6610	137.177	00330	25
013 981 2910	<i>See 013 981 2210</i>			017 981 7710	<i>See 018 981 7710</i>			018 981 6610	137.177	00350	32
013 981 5210	<i>See 013 981 6510</i>			017 981 7910	<i>See 007 981 5510</i>			018 981 6610	137.177	00360	23
013 981 5310	137.183	00180	31	017 981 8010	<i>See 019 981 1510</i>			018 981 6610	137.177	00360	25
013 981 5710	<i>See 013 981 5310</i>			017 981 8210	<i>See 019 981 4610</i>			018 981 6610	137.177	00370	24
013 981 6210	<i>See 013 981 6410</i>			018 981 0110	<i>See 018 981 3610</i>			018 981 6610	137.177	00380	23
013 981 6410	137.173	00160	4	018 981 0410	<i>See 007 981 5510</i>			018 981 6610	137.177	00380	25
013 981 6510	137.185	00180	35	018 981 0510	137.351	00140	4	018 981 7210	<i>See 018 981 7710</i>		
013 981 6510	137.185	00250	35	018 981 0910	<i>See 018 981 7710</i>			018 981 7310	<i>See 018 981 0510</i>		
014 981 0610	<i>See 018 981 9710</i>			018 981 3010	<i>See 018 981 3610</i>			018 981 7410	<i>See 007 981 5510</i>		
014 981 3410	<i>See 010 981 1210</i>			018 981 3610	137.350	00130	13	018 981 7610	<i>See 018 981 8110</i>		
014 981 3910	137.176	00160	20	018 981 3610	137.350	00150	13	018 981 7710	137.352	00140	25
014 981 4110	<i>See 013 981 6410</i>			018 981 5310	137.343	00100	39	018 981 7810	<i>See 018 981 0510</i>		
014 981 4310	137.179	00160	31	018 981 5310	137.343	00110	56	018 981 7910	<i>See 007 981 5510</i>		
014 981 5210	<i>See 014 981 3910</i>			018 981 5310	137.343	00120	39	018 981 8110	137.251	00140	50
014 981 5310	<i>See 014 981 4310</i>			018 981 5310	137.343	00130	42	018 981 8110	137.251	00260	75
015 981 0210	<i>See 021 981 5710</i>			018 981 5310	137.343	00150	38	018 981 8110	137.251	00280	63
015 981 4110	137.225	00060	58	018 981 5610	137.368	00120	41	018 981 8110	137.251	00330	63
015 981 4110	137.225	00200	57	018 981 5610	137.368	00130	46	018 981 8110	137.251	00350	41
015 981 4110	137.225	00220	58	018 981 5710	137.348	00110	54	018 981 8110	137.251	00360	29
015 981 4110	137.225	00240	55	018 981 5710	137.348	00120	54	018 981 8110	137.251	00370	53
015 981 4110	137.225	00300	55	018 981 5710	137.348	00130	58	018 981 8110	137.251	00380	29
015 981 4110	137.225	00340	42	018 981 5710	137.348	00150	54	018 981 9510	<i>See 017 981 5610</i>		
016 981 0010	137.188	00260	8	018 981 5810	137.344	00110	26	018 981 9610	<i>See 018 981 5810</i>		
016 981 0010	137.188	00290	27	018 981 5810	137.344	00120	26	018 981 9710	137.346	00110	12
016 981 0010	137.188	00320	8	018 981 5810	137.344	00120	28	018 981 9710	137.346	00120	12
016 981 0010	137.188	00350	8	018 981 5810	137.344	00130	28	019 981 0510	<i>See 015 981 4110</i>		
016 981 0010	137.188	00370	6	018 981 5810	137.344	00130	30	019 981 0610	<i>See 021 981 9410</i>		
016 981 0210	137.174	00160	4	018 981 5810	137.344	00150	27	019 981 0710	<i>See 011 981 7610</i>		
016 981 6710	<i>See 016 981 0210</i>			018 981 5810	137.344	00150	29	019 981 0810	<i>See 009 981 1610</i>		
016 981 9610	<i>See 018 981 6610</i>			018 981 6410	137.189	00280	7	019 981 0910	<i>See 008 981 8310</i>		
017 981 0210	<i>See 008 981 8310</i>			018 981 6410	137.189	00330	7	019 981 1310	<i>See 012 981 8910</i>		

All original equipment manufacturers numbers, symbols, pictures, models and description used in this catalogue are for reference only, and it is implied that any part listed is the product of these manufacturers. Tutti i nostri particolari non sono originali ma con essi intercambiabili. I riferimenti originali, le figure, i modelli sono esposti a semplice titolo indicativo. La nostra produzione riporta il nostro marchio.

INDEX
MERCEDES Progression

Date

04 / 2011

Table

Index

MERCEDES Index

MB no.	CEI no.	Tab.	Fig.	MB no.	CEI no.	Tab.	Fig.	MB no.	CEI no.	Tab.	Fig.
019 981 1410	<i>See 019 981 1510</i>			021 981 5710	137.200	00040	39	022 981 5610	137.362	00390	24
019 981 1510	137.221	00080	36	021 981 5710	137.200	00050	38	022 981 5610	137.362	00400	24
019 981 1510	137.221	00140	47	021 981 5710	137.200	00090	49	022 981 5810	137.363	00390	18
019 981 1910	<i>See 012 981 8910</i>			021 981 5710	137.200	00170	26	022 981 5810	137.363	00400	18
019 981 2310	<i>See 018 981 8110</i>			021 981 5710	137.200	00270	20	022 981 5910	137.365	00390	20
019 981 3410	<i>See 007 981 5510</i>			021 981 5710	137.200	00310	20	022 981 5910	137.365	00400	20
019 981 3510	<i>See 019 981 1510</i>			021 981 6210	<i>See 021 981 6310</i>			022 981 7210	<i>See 022 981 7610</i>		
019 981 4410	<i>See 008 981 8310</i>			021 981 6310	137.354	00170	31	022 981 7410	<i>See 022 981 7610</i>		
019 981 4610	137.353	00140	66	021 981 6410	<i>See 021 981 6510</i>			022 981 7610	137.340	00100	41
019 981 4710	<i>See 018 981 7710</i>			021 981 6510	137.355	00170	15	022 981 8410	137.358	00340	23
019 981 5210	<i>See 018 981 6610</i>			021 981 7010	<i>See 022 981 4110</i>			022 981 8510	137.359	00340	28
019 981 5310	<i>See 023 981 2910</i>			021 981 8710	<i>See 022 981 4110</i>			022 981 8510	137.359	00340	30
019 981 5710	<i>See 023 981 2910</i>			021 981 9410	137.198	00030	38	023 981 2910	137.347	00110	40
019 981 5810	<i>See 019 981 6010</i>			021 981 9410	137.198	00040	34	023 981 2910	137.347	00120	41
019 981 6010	137.356	00170	14	021 981 9410	137.198	00040	39	023 981 2910	137.347	00130	46
019 981 6010	137.356	00200	17	021 981 9410	137.198	00050	33	023 981 2910	137.347	00150	43
019 981 6010	137.356	00220	17	021 981 9410	137.198	00050	38	000 981 6712	137.217	00010	13
019 981 6010	137.356	00240	16	021 981 9410	137.198	00060	39	000 981 6712	137.217	00020	20
019 981 6010	137.356	00300	16	021 981 9410	137.198	00060	44	000 981 6712	137.217	00070	16
019 981 9010	137.193	00290	33	021 981 9410	137.198	00070	32	001 981 0612	<i>See 001 981 0712</i>		
019 981 9110	<i>See 009 981 4510</i>			021 981 9410	137.198	00090	44	001 981 0712	130.917	00010	4
019 981 9210	137.191	00290	14	021 981 9410	137.198	00090	49	001 981 0812	<i>See 001 981 0712</i>		
019 981 9210	137.191	00340	21	021 981 9410	137.198	00200	40	001 981 2512	137.332	00020	18
021 981 1610	<i>See 018 981 6610</i>			021 981 9410	137.198	00220	40	001 981 2512	137.332	00020	20
021 981 1710	137.192	00290	25	021 981 9410	137.198	00220	42	001 981 3412	137.334	00020	29
021 981 2010	<i>See 021 981 5610</i>			021 981 9410	137.198	00240	38	001 981 3412	137.334	00020	45
021 981 2710	<i>See 022 981 4010</i>			021 981 9410	137.198	00240	40	001 981 3512	137.333	00020	18
021 981 2910	<i>See 022 981 4210</i>			021 981 9410	137.198	00300	38	001 981 4012	137.325	00010	28
021 981 3110	<i>See 021 981 3910</i>			021 981 9410	137.198	00300	40	001 981 4112	137.326	00010	36
021 981 3210	<i>See 022 981 4510</i>			022 981 2010	137.367	00270	37	001 981 4612	137.323	00010	24
021 981 3510	<i>See 022 981 4010</i>			022 981 2010	137.367	00310	38	001 981 4612	137.323	00020	26
021 981 3710	<i>See 022 981 4210</i>			022 981 2310	137.360	00270	24	001 981 4812	137.335	00020	33
021 981 3810	<i>See 003 981 2418</i>			022 981 2310	137.360	00310	24	001 981 4812	137.335	00020	42
021 981 3910	137.339	00100	41	022 981 4010	137.338	00100	28	001 981 6212	<i>See 001 981 3512</i>		
021 981 4210	<i>See 022 981 4510</i>			022 981 4110	137.324	00100	26	001 981 8312	<i>See 022 981 4510</i>		
021 981 5110	<i>See 021 981 6510</i>			022 981 4210	137.336	00100	14	001 981 8812	<i>See 001 981 8912</i>		
021 981 5210	<i>See 021 981 6510</i>			022 981 4310	<i>See 003 981 2418</i>			001 981 8912	130.586	00090	14
021 981 5310	<i>See 021 981 6310</i>			022 981 4410	<i>See 022 981 7610</i>			001 981 9312	137.330	00010	4
021 981 5410	<i>See 021 981 6310</i>			022 981 4510	137.342	00010	49	001 981 9312	137.330	00020	6
021 981 5610	137.357	00170	40	022 981 4510	137.342	00020	65	001 981 9412	130.584	00010	4
021 981 5610	137.357	00270	34	022 981 4510	137.342	00100	55	001 981 9412	130.584	00080	11
021 981 5610	137.357	00310	34	022 981 5310	137.361	00390	38	001 981 9512	<i>See 001 981 0712</i>		
021 981 5710	137.200	00030	38	022 981 5310	137.361	00400	38	001 981 9612	137.331	00020	6

Date

04 / 2011

Table

Index

Index MERCEDES

MB no.	CEI no.	Tab.	Fig.	MB no.	CEI no.	Tab.	Fig.	MB no.	CEI no.	Tab.	Fig.
002 981 1312	137.206	00030	5	004 981 9225	130.538	00255	23	008 981 1325	130.540	00265	8
002 981 1312	137.206	00040	5	004 981 9225	130.538	00265	27	008 981 1325	130.540	00275	3
002 981 1312	137.206	00050	5	004 981 9225	130.538	00285	27	008 981 1325	130.540	00285	8
002 981 1312	137.206	00090	16	004 981 9225	130.538	00295	27	008 981 1325	130.540	00295	8
002 981 1412	130.579	00040	5	004 981 9225	130.538	00325	27	008 981 1325	130.540	00315	3
002 981 1412	130.579	00070	5	004 981 9225	130.538	00335	27	008 981 1325	130.540	00325	8
002 981 2012	See 002 981 1312			004 981 9225	130.538	00355	27	008 981 1325	130.540	00335	8
002 981 2112	See 002 981 1412			004 981 9225	130.538	00365	27	008 981 1325	130.540	00355	8
002 981 2312	See 001 981 9412			004 981 9225	130.538	00375	27	008 981 1325	130.540	00365	8
002 981 6012	See 976 981 0012			004 981 9225	130.538	00385	27	008 981 1325	130.540	00375	8
002 981 6312	See 976 981 0012			004 981 9325	130.539	00165	17	008 981 1325	130.540	00385	8
002 981 7512	See 010 981 4901			004 981 9325	130.539	00185	17	008 981 1325	130.540	00395	8
327 981 0112	137.322	00010	16	004 981 9325	130.539	00195	17	008 981 1325	130.540	00405	8
327 981 0212	See 000 981 6712			004 981 9325	130.539	00215	17	008 981 1525	See 008 981 1325		
976 981 0012	137.285	00110	5	004 981 9325	130.539	00235	19	008 981 3025	130.564	00265	34
976 981 0012	137.285	00120	4	004 981 9325	130.539	00255	17	008 981 3025	130.564	00285	20
976 981 0012	137.285	00130	4	004 981 9325	130.539	00265	34	008 981 3025	130.564	00295	20
976 981 0012	137.285	00150	4	004 981 9325	130.539	00355	34	008 981 3025	130.564	00325	34
003 981 2418	137.337	00100	12	004 981 9425	See 008 981 1325			008 981 3025	130.564	00335	20
002 981 3725	130.839	00025	16	005 981 5925	130.323	00440	34	008 981 3025	130.564	00355	34
002 981 8125	130.597	00420	34	005 981 5925	130.323	00520	28	008 981 3025	130.564	00365	34
002 981 8125	130.597	00460	29	006 981 8225	See 004 981 9225			008 981 3025	130.564	00375	34
002 981 8125	130.597	00480	32	007 981 0525	See 009 981 5825			008 981 3025	130.564	00385	34
003 981 4825	130.881	00460	26	007 981 0725	See 009 981 5725			008 981 3025	130.564	00395	34
003 981 4925	130.596	00420	31	007 981 1125	See 009 981 5725			008 981 3025	130.564	00405	34
003 981 9125	130.583	00080	14	007 981 1325	See 009 981 5825			008 981 3225	See 004 981 9225		
003 981 9225	See 004 981 5525			007 981 1425	See 009 981 5725			008 981 3425	See 008 981 5425		
003 981 9325	See 004 981 5525			007 981 1525	See 009 981 5825			008 981 5325	See 008 981 1325		
003 981 9425	See 003 981 9125			007 981 1625	See 009 981 5725			008 981 5425	130.859	00175	21
004 981 5525	130.578	00040	44	007 981 1825	See 009 981 5825			008 981 5425	130.859	00265	27
004 981 5525	130.578	00080	54	007 981 2725	See 009 981 5825			008 981 5425	130.859	00275	15
004 981 7925	See 004 981 5525			007 981 2825	See 009 981 5825			008 981 5425	130.859	00285	27
004 981 8525	See 004 981 9325			007 981 2925	See 009 981 5725			008 981 5425	130.859	00295	27
004 981 8625	See 004 981 9225			007 981 3125	See 009 981 5825			008 981 5425	130.859	00315	15
004 981 8725	See 008 981 1325			007 981 3225	See 009 981 5825			008 981 5425	130.859	00325	27
004 981 8825	See 008 981 1325			007 981 3425	See 009 981 5825			008 981 5425	130.859	00335	27
004 981 8925	See 004 981 9325			007 981 3625	See 009 981 5825			008 981 5425	130.859	00355	27
004 981 9025	See 004 981 9225			008 981 1325	130.540	00165	8	008 981 5425	130.859	00365	27
004 981 9225	130.538	00165	23	008 981 1325	130.540	00185	8	008 981 5425	130.859	00375	27
004 981 9225	130.538	00185	23	008 981 1325	130.540	00195	8	008 981 5425	130.859	00385	27
004 981 9225	130.538	00195	23	008 981 1325	130.540	00215	8	008 981 5425	130.859	00395	27
004 981 9225	130.538	00215	23	008 981 1325	130.540	00235	8	008 981 5425	130.859	00405	27
004 981 9225	130.538	00235	25	008 981 1325	130.540	00255	8	008 981 9525	130.818	00175	8

All original equipment manufacturers numbers, symbols, pictures, models and description used in this catalogue are for reference only, and it is implied that any part listed is the product of these manufacturers. Tutti i nostri particolari non sono originali ma con essi intercambiabili. I riferimenti originali, le figure, i modelli sono esposti a semplice titolo indicativo. La nostra produzione riporta il nostro marchio.

MERCEDES Index

MB no.	CEI no.	Tab.	Fig.	MB no.	CEI no.	Tab.	Fig.	MB no.	CEI no.	Tab.	Fig.
008 981 9625	See 008 981 9525			002 981 4581	130.826	00140	52	355 981 0187	171.039	00610	26
008 981 9725	See 008 981 9525			002 981 4581	530.826	00140	52	381 981 0087	171.072	00025	4
008 981 9825	See 008 981 9525			002 981 4681	130.829	00140	63	395 981 0287	198.911	00430	25
008 981 9925	See 008 981 9525			002 981 4681	530.829	00140	63	395 981 0287	198.911	00540	30
009 981 0025	See 009 981 0325			002 981 7781	130.862	00270	32	346 990 3101	187.630	00450	38
009 981 0125	See 009 981 0325			002 981 7781	130.862	00310	32	346 990 3101	187.630	00550	44
009 981 0225	See 009 981 0325			016 981 7881	130.864	00270	26	352 990 3601	287.078	00470	16
009 981 0325	130.819	00175	17	016 981 7881	130.864	00310	26	383 990 0701	187.629	00430	38
009 981 3625	130.863	00275	13	000 981 4186	171.057	00185	4	383 990 0701	187.629	00540	40
009 981 3625	130.863	00315	13	000 981 4186	171.057	00195	4	385 990 2301	287.079	00470	16
009 981 5225	See 009 981 5725			000 981 4186	171.057	00215	4	385 990 2401	287.080	00580	26
009 981 5525	See 009 981 5825			000 981 4186	171.057	00235	4	942 990 1004	187.634	00420	44
009 981 5725	130.845	00110	47	000 981 4186	171.057	00255	4	942 990 1004	187.634	00460	38
009 981 5725	130.845	00120	47	000 981 4186	171.057	00265	4	945 990 0050	187.611	00060	7
009 981 5725	130.845	00130	51	000 981 4186	171.057	00285	4	945 990 0050	187.611	00220	7
009 981 5725	130.845	00150	47	000 981 4186	171.057	00295	4	945 990 0150	See 945 990 0050		
009 981 5825	130.844	00110	2	000 981 4186	171.057	00325	4	945 990 0250	187.676	00200	7
009 981 5825	130.844	00110	43	000 981 4186	171.057	00335	4	945 990 0250	187.676	00240	6
009 981 5825	130.844	00120	2	000 981 4186	171.057	00355	4	945 990 0250	187.676	00270	9
009 981 5825	130.844	00120	44	000 981 4186	171.057	00365	4	945 990 0250	187.676	00300	6
009 981 5825	130.844	00130	2	000 981 4186	171.057	00375	4	945 990 0250	187.676	00310	9
009 981 5825	130.844	00130	49	000 981 4186	171.057	00385	4	945 990 0250	187.676	00340	12
009 981 5825	130.844	00150	2	000 981 4186	171.057	00395	4	945 990 0250	187.676	00370	62
009 981 5825	130.844	00150	45	000 981 4186	171.057	00405	4	945 990 0250	187.676	00380	59
944 981 0025	130.905	00500	27	000 981 4386	See 000 981 4186			945 990 0250	187.676	00390	9
944 981 0025	130.905	00500	33	000 981 5886	See 000 981 6186			945 990 0250	187.676	00400	9
000 981 2927	130.855	00010	40	000 981 5986	See 000 981 6186			976 990 0150	287.043	00140	11
000 981 4227	See 000 981 2927			000 981 6086	See 000 981 6186			385 990 0251	See 385 990 0351		
001 981 1527	See 000 981 2927			000 981 6186	171.068	00175	4	385 990 0351	187.527	00010	1
345 981 7127	See 000 981 2927			615 981 0186	171.036	00490	18	385 990 0351	187.527	00020	1
013 981 2446	See 016 997 3047			615 981 0186	171.036	00580	22	387 990 0251	187.612	00080	13
016 981 6847	139.901	00560	3	615 981 0186	171.036	00670	15	357 990 0079	287.040	00025	5
001 981 9680	269.369	00140	53	000 981 8387	See 381 981 0087			385 990 0179	See 357 990 0079		
001 981 9780	130.852	00140	64	000 981 8487	See 381 981 0087			000 992 7703	See 930 260 2789		
002 981 1580	130.548	00160	61	001 981 2787	See 001 981 2887			008 993 0801	156.204	00265	42
002 981 1580	130.548	00190	16	001 981 2887	171.056	00185	4	008 993 0801	156.204	00275	28
002 981 1580	130.548	00210	16	001 981 2887	171.056	00195	4	008 993 0801	156.204	00285	42
002 981 1580	130.548	00230	17	001 981 2887	171.056	00215	4	008 993 0801	156.204	00315	28
002 981 1580	130.548	00260	23	001 981 2887	171.056	00255	4	008 993 0801	156.204	00325	42
002 981 1680	130.555	00190	14	001 981 2987	See 001 981 2887			008 993 0801	156.204	00335	42
002 981 1680	130.555	00210	14	001 981 3087	See 001 981 3287			008 993 0801	156.204	00355	42
002 981 1680	130.555	00230	15	001 981 3187	See 001 981 3287			008 993 0801	156.204	00365	42
002 981 1680	130.555	00260	16	001 981 3287	171.055	00165	4	008 993 0801	156.204	00375	42

Date

04 / 2011

Table

Index

Index MERCEDES

MB no.	CEI no.	Tab.	Fig.	MB no.	CEI no.	Tab.	Fig.	MB no.	CEI no.	Tab.	Fig.
008 993 0801	156.204	00385	42	006 994 4241	111.358	00380	51	006 997 6447	139.813	00395	38
302 993 0901	156.167	00010	11	006 994 4241	111.358	00395	35	006 997 6447	139.813	00405	38
302 993 0901	156.167	00010	23	006 994 4241	111.358	00405	35	006 997 6447	139.813	00410	41
302 993 0901	156.167	00010	34	006 994 4241	111.358	00410	39	006 997 6447	139.813	00410	47
302 993 0901	156.167	00020	16	006 994 7341	111.359	00410	21	007 997 3847	See 020 997 9947		
312 993 1701	156.201	00020	37	007 994 0041	111.303	00410	16	007 997 9647	139.852	00030	2
385 993 1501	156.202	00025	13	007 994 0041	111.303	00410	17	007 997 9647	139.852	00040	2
385 993 2201	156.196	00020	15	007 994 1841	111.304	00410	21	007 997 9647	139.852	00050	2
970 993 1801	See 970 993 6401			387 994 0341	111.342	00410	35	007 997 9647	139.852	00070	2
970 993 3501	See 970 993 6401			387 994 0541	111.343	00410	35	007 997 9647	139.852	00140	54
970 993 4601	See 970 993 6401			387 994 0741	111.344	00410	35	007 997 9847	See 020 997 9947		
970 993 6401	156.199	00100	9	387 994 0941	111.345	00410	35	008 997 0047	See 023 997 8547		
970 993 6401	156.199	00100	23	387 994 1141	111.346	00410	35	008 997 0347	See 020 997 9947		
970 993 6401	156.199	00100	38	387 994 1341	111.347	00410	35	008 997 2147	See 007 997 9647		
970 993 6401	156.199	00110	25	389 994 0041	111.351	00410	35	008 997 7647	See 023 997 8547		
970 993 6401	156.199	00110	37	017 997 6545	139.859	00265	41	008 997 7747	See 007 997 9647		
970 993 6401	156.199	00110	46	017 997 6545	139.859	00285	39	011 997 7447	139.880	00600	3
970 993 6401	156.199	00120	10	017 997 6545	139.859	00325	41	012 997 2347	See 023 997 8547		
970 993 6401	156.199	00120	24	017 997 6545	139.859	00355	41	012 997 3047	139.881	00590	3
970 993 6401	156.199	00120	37	017 997 6545	139.859	00365	41	012 997 3347	See 006 997 6447		
970 993 6401	156.199	00130	12	017 997 6545	139.859	00375	41	012 997 4447	See 023 997 8547		
970 993 6401	156.199	00130	24	017 997 6545	139.859	00385	41	013 997 5547	See 013 997 7247		
970 993 6401	156.199	00130	39	007 997 8446	See 023 997 8547			013 997 5647	See 013 997 7347		
970 993 6401	156.199	00150	11	009 997 0646	See 020 997 9947			013 997 6247	See 016 997 3047		
970 993 6401	156.199	00150	25	009 997 0746	See 023 997 8547			013 997 7247	139.551	00165	18
970 993 6401	156.199	00150	40	013 997 2646	See 021 997 2547			013 997 7247	139.551	00185	18
000 993 6705	156.206	00265	42	014 997 1246	139.882	00500	3	013 997 7247	139.551	00195	18
000 993 6705	156.206	00285	42	014 997 1246	139.882	00520	3	013 997 7247	139.551	00215	18
000 993 6705	156.206	00325	42	006 997 6447	139.813	00140	76	013 997 7247	139.551	00235	20
000 993 6705	156.206	00335	42	006 997 6447	139.813	00160	53	013 997 7247	139.551	00255	18
000 993 6705	156.206	00355	42	006 997 6447	139.813	00190	59	013 997 7247	139.551	00265	21
000 993 6705	156.206	00375	42	006 997 6447	139.813	00210	59	013 997 7247	139.551	00285	21
346 994 0439	169.831	00720	5	006 997 6447	139.813	00230	58	013 997 7247	139.551	00295	21
346 994 0439	169.831	00730	5	006 997 6447	139.813	00260	69	013 997 7247	139.551	00325	21
346 994 0439	169.831	00740	5	006 997 6447	139.813	00275	23	013 997 7247	139.551	00335	21
000 994 9841	111.259	00410	12	006 997 6447	139.813	00280	58	013 997 7247	139.551	00355	21
006 994 4241	111.358	00280	55	006 997 6447	139.813	00315	23	013 997 7247	139.551	00365	21
006 994 4241	111.358	00315	30	006 997 6447	139.813	00320	69	013 997 7247	139.551	00375	21
006 994 4241	111.358	00320	65	006 997 6447	139.813	00330	58	013 997 7247	139.551	00385	21
006 994 4241	111.358	00330	55	006 997 6447	139.813	00340	49	013 997 7247	139.551	00410	31
006 994 4241	111.358	00340	46	006 997 6447	139.813	00360	54	013 997 7347	139.552	00165	19
006 994 4241	111.358	00360	51	006 997 6447	139.813	00370	57	013 997 7347	139.552	00185	19
006 994 4241	111.358	00370	54	006 997 6447	139.813	00380	54	013 997 7347	139.552	00195	19

Date

04 / 2011

Table

Index

All original equipment manufacturers numbers, symbols, pictures, models and description used in this catalogue are for reference only, and it is not implied that any part listed is the product of these manufacturers. Tutti i nostri particolari non sono originali ma con essi intercambiabili. I riferimenti originali, le figure, i modelli sono esposti a semplice titolo indicativo. La nostra produzione riporta il nostro marchio.

MERCEDES Index

MB no.	CEI no.	Tab.	Fig.	MB no.	CEI no.	Tab.	Fig.	MB no.	CEI no.	Tab.	Fig.
013 997 7347	139.552	00215	19	015 997 6447	139.557	00325	21	018 997 7547	See 018 997 7147		
013 997 7347	139.552	00235	21	015 997 6447	139.557	00335	21	018 997 8447	139.550	00160	10
013 997 7347	139.552	00255	19	015 997 6447	139.557	00355	21	018 997 8547	See 018 997 8447		
013 997 7347	139.552	00265	21	015 997 6447	139.557	00365	21	019 997 0347	See 019 997 0547		
013 997 7347	139.552	00265	22	015 997 6447	139.557	00375	21	019 997 0447	See 019 997 0547		
013 997 7347	139.552	00285	21	015 997 6447	139.557	00385	21	019 997 0547	139.556	00170	43
013 997 7347	139.552	00285	22	016 997 3047	139.849	00100	46	019 997 0547	139.556	00200	2
013 997 7347	139.552	00295	21	016 997 6647	139.883	00580	4	019 997 0547	139.556	00220	2
013 997 7347	139.552	00295	22	016 997 6647	139.883	00610	3	019 997 0547	139.556	00240	2
013 997 7347	139.552	00325	21	016 997 6747	139.884	00580	3	019 997 0547	139.556	00260	5
013 997 7347	139.552	00325	22	016 997 6847	139.885	00570	3	019 997 0547	139.556	00280	2
013 997 7347	139.552	00335	21	016 997 6847	139.885	00620	3	019 997 0547	139.556	00300	2
013 997 7347	139.552	00335	22	017 997 1247	139.558	00265	22	019 997 0547	139.556	00310	37
013 997 7347	139.552	00355	21	017 997 1247	139.558	00285	22	019 997 0547	139.556	00320	5
013 997 7347	139.552	00355	22	017 997 1247	139.558	00295	22	019 997 0547	139.556	00330	2
013 997 7347	139.552	00365	22	017 997 1247	139.558	00325	22	019 997 0547	139.556	00340	2
013 997 7347	139.552	00375	21	017 997 1247	139.558	00335	22	019 997 0547	139.556	00350	5
013 997 7347	139.552	00375	22	017 997 1247	139.558	00355	22	019 997 0547	139.556	00360	2
013 997 7347	139.552	00385	22	017 997 1247	139.558	00365	22	019 997 0547	139.556	00370	3
013 997 7347	139.552	00410	32	017 997 1247	139.558	00375	22	019 997 0547	139.556	00380	2
014 997 0147	See 016 997 3047			017 997 1247	139.558	00385	22	019 997 0547	139.556	00390	37
014 997 1947	See 013 997 7247			017 997 2547	See 020 997 9947			019 997 0547	139.556	00400	37
014 997 3647	See 024 997 8347			017 997 2647	139.578	00420	36	019 997 0547	139.556	00410	57
014 997 5147	See 024 997 8347			017 997 2647	139.578	00460	31	019 997 0647	See 019 997 0547		
015 997 0347	139.548	00030	2	017 997 2647	139.578	00480	34	019 997 6047	139.887	00650	4
015 997 0347	139.548	00040	2	017 997 2747	139.577	00420	35	019 997 6047	139.887	00660	3
015 997 0347	139.548	00050	2	017 997 2747	139.577	00460	30	020 997 0647	139.584	00540	4
015 997 0347	139.548	00070	2	017 997 2747	139.577	00480	33	020 997 0647	139.584	00680	3
015 997 0347	139.548	00070	2	017 997 2847	139.585	00440	4	020 997 1747	See 019 997 0547		
015 997 0347	139.548	00080	2	017 997 2947	139.586	00440	5	020 997 6447	See 023 997 8547		
015 997 0347	139.548	00090	2	017 997 3047	139.588	00440	36	020 997 6647	See 006 997 6447		
015 997 0347	139.548	00160	2	017 997 3047	139.588	00500	35	020 997 6747	See 024 997 8347		
015 997 0347	139.548	00410	2	017 997 3047	139.588	00520	30	020 997 7247	See 024 997 3247		
015 997 0447	See 015 997 0347			017 997 3147	139.587	00440	35	020 997 9147	See 024 997 3247		
015 997 0547	See 015 997 0347			017 997 3147	139.587	00500	34	020 997 9947	139.564	00030	40
015 997 0647	See 024 997 3047			017 997 3147	139.587	00520	29	020 997 9947	139.564	00040	42
015 997 1647	See 024 997 3047			017 997 7947	See 023 997 8547			020 997 9947	139.564	00050	41
015 997 4247	See 013 997 7347			017 997 8747	See 020 997 9947			020 997 9947	139.564	00060	46
015 997 4747	139.589	00550	4	018 997 1847	139.886	00670	3	020 997 9947	139.564	00070	42
015 997 4747	139.589	00690	3	018 997 7147	139.554	00190	10	020 997 9947	139.564	00080	52
015 997 6447	139.557	00265	21	018 997 7147	139.554	00210	10	020 997 9947	139.564	00090	51
015 997 6447	139.557	00285	21	018 997 7147	139.554	00230	11	020 997 9947	139.564	00200	47
015 997 6447	139.557	00295	21	018 997 7147	139.554	00410	61	020 997 9947	139.564	00220	48

Date

04 / 2011

Table

Index

Index MERCEDES

MB no.	CEI no.	Tab.	Fig.	MB no.	CEI no.	Tab.	Fig.	MB no.	CEI no.	Tab.	Fig.
020 997 9947	139.564	00240	45	024 997 3047	139.549	00160	2	014 997 5148	139.814	00410	33
020 997 9947	139.564	00300	45	024 997 3047	139.549	00180	2	015 997 2848	139.593	00410	30
020 997 9947	139.564	00420	5	024 997 3047	139.549	00190	2	015 997 4048	139.902	00410	30
020 997 9947	139.564	00460	5	024 997 3047	139.549	00210	2	016 997 6648	139.858	00260	74
020 997 9947	139.564	00480	5	024 997 3047	139.549	00230	3	016 997 6648	139.858	00280	62
021 997 1747		<i>See 021 997 2547</i>		024 997 3047	139.549	00250	2	016 997 6648	139.858	00320	74
021 997 2547	139.850	00110	1	024 997 3047	139.549	00290	2	016 997 6648	139.858	00330	62
021 997 2547	139.850	00120	1	024 997 3047	139.549	00410	2	016 997 6648	139.858	00340	51
021 997 2547	139.850	00130	1	024 997 3247	139.851	00110	42	016 997 6648	139.858	00370	61
021 997 2547	139.850	00150	1	024 997 3247	139.851	00120	43	016 997 6648	139.858	00410	44
021 997 8547	139.888	00700	4	024 997 3247	139.851	00130	48	020 997 7848	139.903	00410	2
021 997 8547	139.888	00710	3	024 997 3247	139.851	00150	57	020 997 8948	139.597	00165	34
022 997 8547		<i>See 019 997 0547</i>		024 997 7447		<i>See 016 997 3047</i>		020 997 8948	139.597	00175	32
023 997 0647		<i>See 019 997 0547</i>		024 997 8347	139.817	00165	33	020 997 8948	139.597	00185	34
023 997 1647		<i>See 013 997 7347</i>		024 997 8347	139.817	00175	31	020 997 8948	139.597	00195	34
023 997 5847	139.889	00640	4	024 997 8347	139.817	00185	33	020 997 8948	139.597	00215	34
023 997 7847		<i>See 019 997 0547</i>		024 997 8347	139.817	00195	33	020 997 8948	139.597	00235	36
023 997 8547	139.563	00030	41	024 997 8347	139.817	00215	33	020 997 8948	139.597	00255	34
023 997 8547	139.563	00040	43	024 997 8347	139.817	00235	35	020 997 8948	139.597	00265	41
023 997 8547	139.563	00050	42	024 997 8347	139.817	00255	33	020 997 8948	139.597	00285	39
023 997 8547	139.563	00060	47	024 997 8347	139.817	00265	40	020 997 8948	139.597	00295	38
023 997 8547	139.563	00070	43	024 997 8347	139.817	00275	27	020 997 8948	139.597	00325	41
023 997 8547	139.563	00080	53	024 997 8347	139.817	00285	38	020 997 8948	139.597	00335	39
023 997 8547	139.563	00090	52	024 997 8347	139.817	00295	37	020 997 8948	139.597	00355	41
023 997 8547	139.563	00140	55	024 997 8347	139.817	00315	27	020 997 8948	139.597	00375	41
023 997 8547	139.563	00200	48	024 997 8347	139.817	00325	40	020 997 8948	139.597	00410	51
023 997 8547	139.563	00220	49	024 997 8347	139.817	00335	38	020 997 8948	139.597	00410	56
023 997 8547	139.563	00240	46	024 997 8347	139.817	00355	40	022 997 4248	139.857	00260	74
023 997 8547	139.563	00300	46	024 997 8347	139.817	00365	40	022 997 4248	139.857	00275	25
023 997 8547	139.563	00420	4	024 997 8347	139.817	00375	40	022 997 4248	139.857	00280	62
023 997 8547	139.563	00460	4	024 997 8347	139.817	00385	40	022 997 4248	139.857	00315	25
023 997 8547	139.563	00480	4	024 997 8347	139.817	00395	42	022 997 4248	139.857	00320	74
023 997 8847		<i>See 023 997 8547</i>		024 997 8347	139.817	00405	42	022 997 4248	139.857	00330	62
024 997 0447		<i>See 024 997 3247</i>		024 997 8347	139.817	00410	55	022 997 4248	139.857	00340	51
024 997 2147		<i>See 024 997 3047</i>		024 997 8347	139.817	00410	59	022 997 4248	139.857	00360	58
024 997 2747		<i>See 024 997 3247</i>		007 997 4248	139.596	00160	59	022 997 4248	139.857	00370	61
024 997 3047	139.549	00040	2	007 997 4248	139.596	00190	61	022 997 4248	139.857	00380	58
024 997 3047	139.549	00040	2	007 997 4248	139.596	00210	61	022 997 4248	139.857	00395	40
024 997 3047	139.549	00050	2	007 997 4248	139.596	00260	67	022 997 4248	139.857	00405	40
024 997 3047	139.549	00060	2	007 997 4248	139.596	00410	46	022 997 4248	139.857	00410	44
024 997 3047	139.549	00070	2	013 997 7548		<i>See 020 997 8948</i>		028 997 2248	139.592	00410	2
024 997 3047	139.549	00090	2	014 997 5148	139.814	00395	21	029 997 5748	111.208	00165	25
024 997 3047	139.549	00140	2	014 997 5148	139.814	00405	21	029 997 5748	111.208	00175	24

All original equipment manufacturers numbers, symbols, pictures, models and description used in this catalogue are for reference only, and it is not implied that any part listed is the product of these manufacturers. Tutti i nostri particolari non sono originali ma con essi intercambiabili. I riferimenti originali, le figure, i modelli sono esposti a semplice titolo indicativo. La nostra produzione riporta il nostro marchio.

MERCEDES Index

MB no.	CEI no.	Tab.	Fig.	MB no.	CEI no.	Tab.	Fig.	MB no.	CEI no.	Tab.	Fig.
029 997 5748	111.208	00185	25	000914 006109	187.609	00375	3	9483530412+0410	294.145	00700	7
029 997 5748	111.208	00195	25	000914 006109	187.609	00385	3	9483530512+0510	294.144	00700	7
029 997 5748	111.208	00215	25	000914 006109	187.609	00395	3	9483530612+0610	294.143	00700	7
029 997 5748	111.208	00235	27	000914 006109	187.609	00405	3	9483530712+0710	294.141	00700	7
029 997 5748	111.208	00255	25	000988 070001	111.357	00410	3	9483530812+0810	294.134	00700	7
029 997 5748	111.208	00265	29	005412 410215	130.907	00630	9	9483530912+0910	294.142	00700	7
029 997 5748	111.208	00285	29	006888 003007	188.237	00020	23	9483531212+1710	294.147	00700	7
029 997 5748	111.208	00295	29	007343 012000	See 308750 012000			9703530112+0110	294.126	00650	6
029 997 5748	111.208	00325	29	007993 040200	111.273	00410	22	9703530212+0210	294.127	00650	6
029 997 5748	111.208	00335	29	007993 050200	111.260	00410	12	9703530312+0310	294.128	00650	6
029 997 5748	111.208	00355	29	070852 055000	187.617	00420	32	9703530412+0410	294.129	00650	6
029 997 5748	111.208	00365	29	070852 055000	187.617	00460	27	9703530512+0510	294.130	00650	6
029 997 5748	111.208	00375	29	070852 055000	187.617	00480	30	9703530612+0610	294.132	00650	6
029 997 5748	111.208	00385	29	070952 055102	169.825	00420	33	9703530712+0710	294.133	00650	6
029 997 5748	111.208	00395	29	070952 055102	169.825	00460	28	9703530812+0810	294.131	00650	6
029 997 5748	111.208	00405	29	070952 055102	169.825	00480	31	QPM350000075	280.755	00650	1
000000 000759	130.322	00440		070952 060102	169.829	00440	33	QPM350000095	280.757	00650	1
000471 120000	111.355	00410		070952 060102	169.829	00500	32	QPM350000097	280.753	00650	1
000472 060000	111.274	00410	31	070952 060102	169.829	00520	27	QPM350000099	280.761	00650	1
000472 130000	111.356	00410	24	308676 012022	187.030	00440	44	QPM350000101	280.751	00650	1
000472 140000	111.383	00410	22	308750 012000	188.241	00020	38	QPM350000102	280.763	00650	1
000472 230000	169.832	00730	23	308750 012000	188.241	00020	49	QPM350000211	280.767	00700	1
000472 240000	169.830	00720	27	346 350 1109A	135.214	00740	9	QPM350000213	280.772	00700	1
000472 240000	169.830	00740	5	346 350 1109E	298.254	00740	10	QPM350000220	280.774	00700	1
000625 036009	See 004 981 9225			346 350 1109K	298.250	00740	8	QPM350000243	280.765	00700	1
000625 920066	130.321	00440	5	346 350 2209K	298.251	00740	8	QPM350000287	280.770	00700	1
000625 920067	130.595	00420	7	346 350 4309A	135.215	00740	9	QPM350000302	280.769	00700	1
000625 920067	130.595	00460	7	346 350 4309E	298.255	00740	10	QPM350000303	280.766	00700	1
000625 920067	130.595	00480	7	346 350 7533A	135.211	00720	9	QPM350000309	280.773	00700	1
000914 006109	187.609	00165	7	346 350 7533A	135.211	00730	9	QPM350000310	280.768	00700	1
000914 006109	187.609	00175	3	346 350 9133A	135.212	00730	9	QPM350000331	280.771	00700	1
000914 006109	187.609	00185	3	346 350 9233A	135.213	00720	9	QPM700000001	280.764	00650	1
000914 006109	187.609	00195	3	9463530110+0112	294.077	00710	6	QPM700000005	280.762	00650	1
000914 006109	187.609	00215	3	9463530210+0212	294.078	00710	6	QPM700000006	280.754	00650	1
000914 006109	187.609	00235	3	9463530310+0312	294.079	00710	6	QPM700000007	280.760	00650	1
000914 006109	187.609	00255	3	9463530410+0412	294.080	00710	6	QPM700000011	280.752	00650	1
000914 006109	187.609	00265	3	9463530510+0512	294.076	00710	6	QPM700000012	280.758	00650	1
000914 006109	187.609	00285	3	9463530610+0612	294.075	00710	6	QPM700000013	280.759	00650	1
000914 006109	187.609	00295	3	9463530710+0712	294.081	00710	6	QPM700000014	280.756	00650	1
000914 006109	187.609	00325	3	9463530810+0812	294.074	00710	6				
000914 006109	187.609	00335	3	9463531010+1512	294.082	00710	6				
000914 006109	187.609	00355	3	9483530112+0110	294.148	00700	7				
000914 006109	187.609	00365	3	9483530312+0310	294.146	00700	7				

Date

04 / 2011

Table

Index

CEI no.	MB no.	Tab.	Fig.	CEI no.	MB no.	Tab.	Fig.	CEI no.	MB no.	Tab.	Fig.
101.033	343 353 0335	00630	32	101.169	947 269 1110	00405	25	102.284	389 262 6601	00350	13
101.123	389 269 1210	00165	21	101.170	976 269 0110	00140	69	102.285	945 262 1301	00370	11
101.123	389 269 1210	00185	21	101.171	976 269 0010	00140	69	102.286	945 262 1602	00290	5
101.123	389 269 1210	00195	21	101.172	944 353 0335	00500	26	102.287	945 262 4902	00290	5
101.123	389 269 1210	00215	21	102.189	381 262 0102	00010	3	102.288	945 262 2602	00290	5
101.123	389 269 1210	00235	23	102.191	383 262 0802	00010	3	102.289	945 262 4202	00290	5
101.123	389 269 1210	00255	21	102.194	385 262 0802	00020	4	102.292	387 262 4202	00030	4
101.123	389 269 1210	00265	25	102.195	385 262 1002	00020	4	102.292	387 262 4202	00040	4
101.123	389 269 1210	00285	25	102.196	385 262 2502	00020	4	102.293	387 262 4402	00030	4
101.123	389 269 1210	00295	25	102.197	385 262 2602	00020	4	102.293	387 262 4402	00040	4
101.123	389 269 1210	00325	25	102.205	387 262 6202	00050	4	102.295	387 262 4002	00040	4
101.123	389 269 1210	00335	25	102.263	389 262 3102	00060	5	102.296	387 262 7602	00040	4
101.123	389 269 1210	00355	25	102.265	389 262 1501	00160	9	102.297	387 262 7202	00040	4
101.123	389 269 1210	00365	25	102.266	389 262 3901	00160	9	102.298	387 262 6402	00040	4
101.123	389 269 1210	00375	25	102.267	389 262 2001	00160	9	102.299	387 262 6002	00040	4
101.123	389 269 1210	00385	25	102.267	389 262 2001	00160	9	102.300	387 262 4302	00040	4
101.168	947 269 1010	00175	20	102.268	389 262 4201	00160	9	102.301	387 262 6702	00040	4
101.168	947 269 1010	00265	25	102.268	389 262 4201	00160	9	102.302	387 262 4502	00050	4
101.168	947 269 1010	00275	14	102.269	389 262 3502	00180	4	102.303	387 262 6302	00050	4
101.168	947 269 1010	00285	25	102.269	389 262 3502	00250	4	102.304	387 262 7702	00070	4
101.168	947 269 1010	00295	25	102.270	389 262 3701	00190	9	102.305	652 262 0002	00070	4
101.168	947 269 1010	00315	14	102.270	389 262 3701	00210	9	102.306	387 262 6102	00070	4
101.168	947 269 1010	00325	25	102.271	389 262 2901	00190	9	102.307	387 262 6802	00070	4
101.168	947 269 1010	00335	25	102.271	389 262 2901	00210	9	102.308	387 262 7502	00070	4
101.168	947 269 1010	00355	25	102.271	389 262 2901	00230	10	102.309	387 262 4602	00070	4
101.168	947 269 1010	00365	25	102.272	389 262 3101	00230	10	102.310	387 262 5202	00070	4
101.168	947 269 1010	00375	25	102.273	945 262 4403	00330	13	102.311	387 262 2202	00090	15
101.168	947 269 1010	00385	25	102.273	945 262 4403	00350	13	102.312	387 262 1301	00090	3
101.168	947 269 1010	00395	25	102.273	945 262 4403	00370	11	102.312	387 262 1301	00090	3
101.168	947 269 1010	00405	25	102.274	389 262 8301	00350	13	102.313	387 262 1801	00090	3
101.169	947 269 1110	00175	20	102.274	389 262 8301	00370	11	102.313	387 262 1801	00090	3
101.169	947 269 1110	00265	25	102.275	389 262 8201	00260	13	102.314	387 262 1501	00090	3
101.169	947 269 1110	00275	14	102.275	389 262 8201	00320	13	102.314	387 262 1501	00090	3
101.169	947 269 1110	00285	25	102.276	389 262 6501	00260	13	102.315	387 262 2402	00090	15
101.169	947 269 1110	00295	25	102.277	945 262 4703	00260	13	102.324	976 262 2501	00140	9
101.169	947 269 1110	00315	14	102.278	389 262 7901	00280	13	102.404	947 262 0902	00170	4
101.169	947 269 1110	00325	25	102.278	389 262 7901	00330	13	102.411	970 262 2002	00110	4
101.169	947 269 1110	00335	25	102.279	945 262 1901	00280	13	102.411	970 262 2002	00120	3
101.169	947 269 1110	00355	25	102.279	945 262 1901	00330	13	102.414	976 262 2101	00140	9
101.169	947 269 1110	00365	25	102.280	945 262 6701	00280	13	102.442	656 262 3282	00240	5
101.169	947 269 1110	00375	25	102.281	945 262 5401	00280	13	102.442	656 262 3282	00300	5
101.169	947 269 1110	00385	25	102.282	945 262 3201	00280	13	102.445	947 262 1302	00170	4
101.169	947 269 1110	00395	25	102.282	945 262 3201	00330	13	102.451	383 262 0302	00010	3

All original equipment manufacturers numbers, symbols, pictures, models and description used in this catalogue are for reference only, and it is not implied that any part listed is the product of these manufacturers. Tutti i nostri particolari non sono originali ma con essi intercambiabili. I riferimenti originali, le figure, i modelli sono esposti a semplice titolo indicativo. La nostra produzione riporta il nostro marchio.

CEI Index

CEI no.	MB no.	Tab.	Fig.	CEI no.	MB no.	Tab.	Fig.	CEI no.	MB no.	Tab.	Fig.
102.457	947 262 3202	00270	8	102.510	945 262 6203	00370	11	103.161	387 262 1805	00070	24
102.458	930 262 0403	00390	8	102.526	381 262 0002	00010	3	103.171	976 262 2105	00140	37
102.458	930 262 0403	00400	8	102.527	971 262 3002	00100	2	103.188	945 262 4505	00260	33
102.460	389 262 7902	00220	5	102.528	389 262 1201	00190	9	103.188	945 262 4505	00280	26
102.462	389 262 8102	00220	5	102.528	389 262 1201	00210	9	103.188	945 262 4505	00320	33
102.467	385 262 2702	00020	4	102.529	947 262 3502	00310	8	103.188	945 262 4505	00330	26
102.468	385 262 2402	00020	4	103.102	337 262 0505	00010	38	103.188	945 262 4505	00350	33
102.469	385 262 3202	00020	4	103.116	381 262 0005	00010	38	103.188	945 262 4505	00370	25
102.470	972 262 0602	00100	2	103.120	385 262 0105	00020	35	103.197	947 262 0305	00170	25
102.472	971 262 2902	00100	2	103.121	385 262 0505	00020	35	103.205	970 262 0405	00110	27
102.473	656 262 0402	00060	5	103.144	387 262 0905	00080	37	103.205	970 262 0405	00120	27
102.474	656 262 0602	00060	5	103.145	389 262 1605	00160	21	103.212	970 262 0105	00120	27
102.475	971 262 2702	00100	2	103.146	389 262 2005	00160	21	103.214	976 262 1205	00130	29
102.477	976 262 1402	00130	3	103.147	389 262 1305	00180	13	103.215	389 262 4605	00200	29
102.478	976 262 2302	00130	3	103.147	389 262 1305	00250	13	103.215	389 262 4605	00220	29
102.479	976 262 0502	00130	3	103.148	389 262 1505	00190	27	103.215	389 262 4605	00240	28
102.480	976 262 1702	00130	3	103.148	389 262 1505	00210	27	103.215	389 262 4605	00300	28
102.481	444 262 0002	00150	3	103.148	389 262 1505	00230	26	103.234	930 262 0805	00390	19
102.483	656 262 8102	00200	5	103.149	945 262 3605	00260	33	103.234	930 262 0805	00400	19
102.484	656 262 8202	00200	5	103.149	945 262 3605	00280	26	103.238	947 262 1705	00270	19
102.485	389 262 8902	00200	5	103.149	945 262 3605	00320	33	103.238	947 262 1705	00310	19
102.486	389 262 8302	00200	5	103.149	945 262 3605	00330	26	103.241	383 262 0005	00010	38
102.487	389 262 8502	00200	5	103.149	945 262 3605	00350	33	103.242	385 262 0405	00020	48
102.488	656 262 9802	00200	5	103.149	945 262 3605	00370	25	103.245	974 262 0005	00100	27
102.489	656 262 9902	00200	5	103.150	389 262 2405	00260	33	103.246	971 262 0805	00100	27
102.490	655 262 0602	00200	5	103.150	389 262 2405	00350	33	103.247	976 262 1705	00130	29
102.491	655 262 0002	00200	5	103.151	945 262 1205	00290	26	103.247	976 262 1705	00150	28
102.492	655 262 0202	00200	5	103.153	387 262 2005	00030	26	103.249	656 262 0605	00340	22
102.493	656 262 9202	00200	5	103.153	387 262 2005	00040	26	103.250	930 260 0605	00360	24
102.497	945 262 6303	00260	13	103.153	387 262 2005	00050	25	103.250	930 260 0605	00380	24
102.497	945 262 6303	00320	13	103.153	387 262 2005	00090	36	105.079	346 353 0335	00440	8
102.498	945 262 2482	00260	13	103.154	387 262 2105	00030	26	105.084	385 263 1702	00020	56
102.499	656 262 2582	00340	10	103.154	387 262 2105	00040	26	105.085	385 263 0902	00020	57
102.501	930 262 1003	00360	13	103.154	387 262 2105	00050	25	105.086	355 353 0235	00420	8
102.501	930 262 1003	00380	13	103.154	387 262 2105	00090	36	105.086	355 353 0235	00460	8
102.502	655 262 0802	00220	5	103.155	387 262 2405	00030	26	105.086	355 353 0235	00480	8
102.503	656 262 4502	00300	5	103.155	387 262 2405	00040	26	105.087	387 263 1102	00080	61
102.504	656 262 4702	00300	5	103.155	387 262 2405	00050	25	105.127	389 263 0102	00160	44
102.505	656 262 6302	00300	5	103.155	387 262 2405	00090	36	105.128	389 263 0702	00160	44
102.506	945 262 5703	00280	13	103.157	387 262 1905	00070	24	105.129	389 263 0902	00180	42
102.507	945 262 6003	00280	13	103.158	387 262 1705	00040	26	105.129	389 263 0902	00250	42
102.507	945 262 6003	00330	13	103.159	389 262 1705	00060	30	105.130	389 263 0302	00190	48
102.508	945 262 6403	00330	13	103.160	389 262 4405	00060	30	105.130	389 263 0302	00210	48

Date

04 / 2011

Table

Index

CEI no.	MB no.	Tab.	Fig.	CEI no.	MB no.	Tab.	Fig.	CEI no.	MB no.	Tab.	Fig.
105.131	389 263 0802	00190	48	105.246	629 430 0246	00060	66	107.178	387 263 0830	00090	67
105.131	389 263 0802	00210	48	105.246	629 430 0246	00060	66	107.179	387 263 0630	00040	55
105.131	389 263 0802	00230	47	105.248	385 263 1602	00020	61	107.179	387 263 0630	00080	66
105.132	945 263 2902	00260	56	105.249	971 263 0202	00100	51	107.180	976 263 0330	00060	59
105.132	945 263 2902	00280	47	105.250	629 430 0046	00060	66	107.180	976 263 0330	00200	59
105.132	945 263 2902	00320	56	105.254	656 263 0102	00340	39	107.180	976 263 0330	00220	60
105.132	945 263 2902	00330	47	105.255	930 263 0602	00360	44	107.180	976 263 0330	00240	57
105.132	945 263 2902	00350	56	105.255	930 263 0602	00380	44	107.180	976 263 0330	00300	57
105.132	945 263 2902	00370	46	105.258	CEI 105258	00400	31	107.180	976 263 0330	00340	45
105.133	945 263 2202	00290	39	105.260	930 263 0202	00360	44	107.181	387 263 0730	00070	55
105.135	387 263 2002	00030	48	105.260	930 263 0202	00380	44	107.216	CEI 107216	00680	15
105.135	387 263 2002	00040	50	105.261	960 263 0002	00380	44	107.217	CEI 107217	00680	16
105.136	387 263 1902	00030	48	107.092	354 353 0174	00610	28	107.218	CEI 107218	00510	15
105.136	387 263 1902	00040	50	107.130	385 263 0130	00020	63	107.219	CEI 107219	00690	15
105.137	387 263 0102	00040	50	107.172	389 263 0130	00160	50	107.220	CEI 107220	00690	16
105.138	387 263 2902	00040	50	107.173	389 263 0330	00180	48	107.221	CEI 107221	00530	17
105.138	387 263 2902	00050	50	107.173	389 263 0330	00250	48	107.227	CEI 107227	00550	35
105.139	387 263 2802	00050	50	107.174	976 263 0030	00140	68	107.229	383 263 0230	00010	48
105.140	389 263 1102	00060	54	107.174	976 263 0030	00170	42	107.231	972 263 0030	00100	53
105.141	387 263 2702	00070	50	107.174	976 263 0030	00190	54	107.233	970 263 0230	00150	55
105.142	387 263 3002	00070	50	107.174	976 263 0030	00210	54	107.237	387 263 0530	00030	53
105.143	387 263 2602	00070	50	107.174	976 263 0030	00230	53	107.237	387 263 0530	00040	55
105.144	387 263 2102	00090	63	107.174	976 263 0030	00260	61	107.237	387 263 0530	00050	55
105.145	387 263 2202	00090	63	107.174	976 263 0030	00270	36	107.237	387 263 0530	00070	55
105.160	355 353 0935	00420	20	107.174	976 263 0030	00280	52	107.237	387 263 0530	00090	67
105.160	355 353 0935	00460	39	107.174	976 263 0030	00290	44	107.239	389 263 0430	00190	54
105.160	355 353 0935	00480	21	107.174	976 263 0030	00310	36	107.239	389 263 0430	00210	54
105.161	346 353 0735	00440	20	107.174	976 263 0030	00320	61	107.239	389 263 0430	00230	53
105.198	976 263 0402	00140	62	107.174	976 263 0030	00330	52	107.239	389 263 0430	00260	61
105.204	970 263 0702	00110	51	107.174	976 263 0030	00350	61	107.239	389 263 0430	00320	61
105.204	970 263 0702	00120	51	107.174	976 263 0030	00360	49	107.239	389 263 0430	00350	61
105.204	970 263 0702	00130	55	107.174	976 263 0030	00370	51	107.242	948 353 0035	00500	24
105.204	970 263 0702	00150	51	107.174	976 263 0030	00380	49	107.242	948 353 0035	00520	24
105.205	947 263 0702	00170	38	107.174	976 263 0030	00390	36	107.243	970 353 0221	00650	13
105.217	942 353 0435	00500	9	107.174	976 263 0030	00400	36	109.097	385 262 1534	00025	15
105.217	942 353 0435	00520	9	107.177	387 263 1430	00030	53	109.123	383 262 0134	00010	5
105.235	383 263 0202	00010	47	107.177	387 263 1430	00040	55	109.125	385 262 0434	00020	9
105.243	947 263 2402	00270	31	107.177	387 263 1430	00050	55	109.128	387 262 3034	00080	12
105.243	947 263 2402	00310	31	107.177	387 263 1430	00070	55	109.129	387 262 5134	00040	6
105.244	389 263 2702	00200	54	107.177	387 263 1430	00090	67	109.129	387 262 5134	00050	6
105.244	389 263 2702	00220	55	107.178	387 263 0830	00030	53	109.130	387 262 4534	00030	18
105.244	389 263 2702	00240	52	107.178	387 263 0830	00040	55	109.130	387 262 4534	00040	18
105.244	389 263 2702	00300	52	107.178	387 263 0830	00050	55	109.130	387 262 4534	00050	17

All original equipment manufacturers numbers, symbols, pictures, models and description used in this catalogue are for reference only, and it is not implied that any part listed is the product of these manufacturers. Tutti i nostri particolari non sono originali ma con essi intercambiabili. I riferimenti originali, le figure, i modelli sono esposti a semplice titolo indicativo. La nostra produzione riporta il nostro marchio.

CEI Index

CEI no.	MB no.	Tab.	Fig.	CEI no.	MB no.	Tab.	Fig.	CEI no.	MB no.	Tab.	Fig.
109.130	387 262 4534	00070	17	109.189	945 262 0534	00260	21	109.337	389 262 9234	00335	19
109.130	387 262 4534	00090	28	109.189	945 262 0534	00260	31	109.337	389 262 9234	00355	19
109.131	389 262 5634	00030	11	109.189	945 262 0534	00280	18	109.337	389 262 9234	00365	19
109.131	389 262 5634	00040	11	109.189	945 262 0534	00290	17	109.337	389 262 9234	00375	19
109.131	389 262 5634	00040	18	109.189	945 262 0534	00320	21	109.337	389 262 9234	00385	19
109.131	389 262 5634	00050	11	109.189	945 262 0534	00320	31	109.338	389 262 2334	00165	16
109.131	389 262 5634	00080	29	109.189	945 262 0534	00330	18	109.338	389 262 2334	00185	16
109.131	389 262 5634	00090	22	109.189	945 262 0534	00350	21	109.338	389 262 2334	00195	16
109.131	389 262 5634	00160	13	109.189	945 262 0534	00350	31	109.338	389 262 2334	00215	16
109.131	389 262 5634	00180	6	109.189	945 262 0534	00370	17	109.338	389 262 2334	00255	16
109.131	389 262 5634	00190	13	109.328	389 262 1134	00060	9	109.339	389 262 0534	00180	16
109.131	389 262 5634	00190	17	109.328	389 262 1134	00140	6	109.339	389 262 0534	00250	16
109.131	389 262 5634	00210	13	109.329	945 262 4034	00060	14	109.340	389 262 0140	00250	29
109.131	389 262 5634	00210	17	109.329	945 262 4034	00140	23	109.341	945 264 0420	00355	20
109.131	389 262 5634	00230	14	109.329	945 262 4034	00170	7	109.341	945 264 0420	00375	20
109.131	389 262 5634	00250	6	109.329	945 262 4034	00260	20	109.342	389 264 0730	00265	20
109.187	945 262 0434	00060	32	109.329	945 262 4034	00260	21	109.342	389 264 0730	00285	19
109.187	945 262 0434	00060	37	109.330	387 262 2534	00080	22	109.342	389 264 0730	00295	19
109.187	945 262 0434	00140	40	109.331	387 262 2934	00080	5	109.342	389 264 0730	00325	20
109.187	945 262 0434	00160	24	109.332	387 262 3234	00090	6	109.342	389 264 0730	00335	19
109.187	945 262 0434	00180	21	109.333	945 262 5134	00060	14	109.342	389 264 0730	00355	20
109.187	945 262 0434	00190	29	109.334	389 262 9134	00165	16	109.342	389 264 0730	00365	20
109.187	945 262 0434	00210	29	109.334	389 262 9134	00185	16	109.342	389 264 0730	00375	20
109.187	945 262 0434	00230	28	109.334	389 262 9134	00195	16	109.342	389 264 0730	00385	20
109.187	945 262 0434	00250	21	109.334	389 262 9134	00215	16	109.343	387 262 4834	00030	18
109.187	945 262 0434	00260	36	109.334	389 262 9134	00235	18	109.343	387 262 4834	00040	18
109.187	945 262 0434	00280	28	109.334	389 262 9134	00255	16	109.343	387 262 4834	00050	17
109.187	945 262 0434	00290	22	109.335	945 262 0334	00060	22	109.343	387 262 4834	00070	17
109.187	945 262 0434	00320	36	109.335	945 262 0334	00140	30	109.343	387 262 4834	00090	28
109.187	945 262 0434	00330	28	109.335	945 262 0334	00170	17	109.344	387 262 5034	00030	6
109.187	945 262 0434	00350	36	109.335	945 262 0334	00240	8	109.344	387 262 5034	00040	6
109.187	945 262 0434	00370	27	109.335	945 262 0334	00260	20	109.344	387 262 5034	00090	17
109.188	389 262 4034	00165	16	109.335	945 262 0334	00280	9	109.346	387 262 4934	00040	11
109.188	389 262 4034	00185	16	109.335	945 262 0334	00290	7	109.346	387 262 4934	00070	11
109.188	389 262 4034	00195	16	109.335	945 262 0334	00300	8	109.347	389 262 5934	00040	18
109.188	389 262 4034	00215	16	109.335	945 262 0334	00320	20	109.347	389 262 5934	00080	29
109.188	389 262 4034	00235	18	109.335	945 262 0334	00330	9	109.348	389 262 8534	00060	9
109.188	389 262 4034	00255	16	109.336	389 262 4434	00265	19	109.349	945 262 5034	00060	22
109.189	945 262 0534	00190	17	109.336	389 262 4434	00355	19	109.349	945 262 5034	00200	22
109.189	945 262 0534	00190	24	109.337	389 262 9234	00265	19	109.349	945 262 5034	00220	21
109.189	945 262 0534	00210	17	109.337	389 262 9234	00285	19	109.349	945 262 5034	00240	20
109.189	945 262 0534	00210	24	109.337	389 262 9234	00295	19	109.349	945 262 5034	00300	20
109.189	945 262 0534	00230	18	109.337	389 262 9234	00325	19	109.350	945 262 4834	00060	37

Date

04 / 2011

Table

Index

CEI no.	MB no.	Tab.	Fig.	CEI no.	MB no.	Tab.	Fig.	CEI no.	MB no.	Tab.	Fig.
109.350	945 262 4834	00200	37	109.414	945 262 5434	00330	18	109.746	945 262 6034	00300	31
109.350	945 262 4834	00220	37	109.414	945 262 5434	00350	21	109.747	945 262 5934	00200	37
109.350	945 262 4834	00240	35	109.414	945 262 5434	00350	31	109.747	945 262 5934	00220	37
109.350	945 262 4834	00300	35	109.414	945 262 5434	00360	9	109.747	945 262 5934	00240	35
109.351	945 262 4934	00060	32	109.414	945 262 5434	00370	17	109.747	945 262 5934	00300	35
109.351	945 262 4934	00200	32	109.414	945 262 5434	00380	9	109.762	947 262 0334	00175	15
109.351	945 262 4934	00220	32	109.414	945 262 5434	00390	7	109.783	945 262 7234	00200	9
109.351	945 262 4934	00240	31	109.414	945 262 5434	00400	7	109.783	945 262 7234	00220	9
109.351	945 262 4934	00300	31	109.415	945 262 5534	00260	36	109.789	930 262 0034	00340	6
109.352	387 262 5234	00070	6	109.415	945 262 5534	00280	28	109.789	930 262 0034	00360	17
109.353	387 262 5334	00080	17	109.415	945 262 5534	00290	22	109.789	930 262 0034	00380	17
109.354	387 262 3634	00090	11	109.415	945 262 5534	00320	36	109.789	930 262 0034	00390	39
109.389	976 262 2834	00140	15	109.415	945 262 5534	00330	28	109.789	930 262 0034	00400	39
109.389	976 262 2834	00140	17	109.415	945 262 5534	00350	36	109.791	947 262 0634	00275	10
109.408	945 262 3834	00265	19	109.415	945 262 5534	00370	27	109.791	947 262 0634	00315	10
109.408	945 262 3834	00285	19	109.423	945 262 5734	00170	7	109.792	947 264 0420	00275	11
109.408	945 262 3834	00295	19	109.741	389 262 9734	00200	9	109.793	945 264 0520	00265	20
109.408	945 262 3834	00325	19	109.741	389 262 9734	00220	9	109.793	945 264 0520	00285	19
109.408	945 262 3834	00335	19	109.742	945 262 3634	00170	17	109.793	945 264 0520	00295	19
109.408	945 262 3834	00355	19	109.742	945 262 3634	00240	8	109.793	945 264 0520	00325	20
109.408	945 262 3834	00365	19	109.742	945 262 3634	00260	20	109.793	945 264 0520	00335	19
109.408	945 262 3834	00375	19	109.742	945 262 3634	00270	7	109.793	945 264 0520	00355	20
109.408	945 262 3834	00385	19	109.742	945 262 3634	00280	9	109.793	945 264 0520	00365	20
109.408	945 262 3834	00395	19	109.742	945 262 3634	00290	7	109.793	945 264 0520	00375	20
109.408	945 262 3834	00405	19	109.742	945 262 3634	00300	8	109.793	945 264 0520	00385	20
109.409	970 262 1534	00110	6	109.742	945 262 3634	00310	7	109.794	930 264 0120	00265	20
109.409	970 262 1534	00120	5	109.742	945 262 3634	00320	20	109.794	930 264 0120	00285	19
109.409	970 262 1534	00130	5	109.742	945 262 3634	00330	9	109.794	930 264 0120	00295	19
109.409	970 262 1534	00150	5	109.743	389 262 9834	00200	14	109.794	930 264 0120	00325	20
109.411	970 262 2534	00100	30	109.743	389 262 9834	00220	14	109.811	385 262 1434	00020	9
109.411	970 262 2534	00100	36	109.743	389 262 9834	00240	13	109.812	971 262 0762	00100	16
109.411	970 262 2534	00110	22	109.743	389 262 9834	00300	13	109.813	971 262 0435	00100	4
109.411	970 262 2534	00120	21	109.744	945 262 7134	00200	14	109.814	971 262 0535	00100	10
109.411	970 262 2534	00130	26	109.744	945 262 7134	00220	14	109.815	971 262 0662	00100	24
109.411	970 262 2534	00150	23	109.744	945 262 7134	00240	13	109.816	970 262 2434	00110	16
109.412	970 262 2334	00130	32	109.744	945 262 7134	00300	13	109.816	970 262 2434	00130	17
109.413	970 262 1734	00130	41	109.745	945 262 6134	00200	22	109.816	970 262 2434	00150	17
109.414	945 262 5434	00260	21	109.745	945 262 6134	00220	21	109.820	695 262 0034	00130	9
109.414	945 262 5434	00260	31	109.745	945 262 6134	00240	20	109.820	695 262 0034	00150	9
109.414	945 262 5434	00280	18	109.745	945 262 6134	00300	20	109.821	976 262 1634	00130	9
109.414	945 262 5434	00290	17	109.746	945 262 6034	00200	32	109.822	694 262 0034	00110	10
109.414	945 262 5434	00320	21	109.746	945 262 6034	00220	32	109.822	694 262 0034	00110	29
109.414	945 262 5434	00320	31	109.746	945 262 6034	00240	31	109.823	975 262 0234	00130	32

All original equipment manufacturers numbers, symbols, pictures, models and description used in this catalogue are for reference only, and it is not implied that any part listed is the product of these manufactures.
Tutti i nostri particolari non sono originali ma con essi intercambiabili. I riferimenti originali, le figure, i modelli sono esposti a semplice titolo indicativo. La nostra produzione riporta il nostro marchio.

CEI Index

CEI no.	MB no.	Tab.	Fig.	CEI no.	MB no.	Tab.	Fig.	CEI no.	MB no.	Tab.	Fig.
109.823	975 262 0234	00150	31	111.204	387 262 1093	00240	9	111.205	387 262 0893	00320	37
109.825	947 262 0134	00175	15	111.204	387 262 1093	00240	21	111.205	387 262 0893	00330	19
109.826	694 262 0234	00110	35	111.204	387 262 1093	00250	7	111.205	387 262 0893	00330	29
109.826	694 262 0234	00150	37	111.204	387 262 1093	00260	10	111.205	387 262 0893	00340	7
109.828	656 262 0034	00340	15	111.204	387 262 1093	00260	25	111.205	387 262 0893	00350	25
109.829	656 262 0134	00340	17	111.204	387 262 1093	00270	6	111.205	387 262 0893	00350	37
109.830	930 264 0220	00325	20	111.204	387 262 1093	00280	10	111.205	387 262 0893	00360	10
109.830	930 264 0220	00355	20	111.204	387 262 1093	00290	8	111.205	387 262 0893	00370	18
109.830	930 264 0220	00375	20	111.204	387 262 1093	00300	9	111.205	387 262 0893	00370	28
109.831	945 264 0620	00355	20	111.204	387 262 1093	00300	21	111.205	387 262 0893	00380	10
109.831	945 264 0620	00375	20	111.204	387 262 1093	00310	6	111.205	387 262 0893	00390	6
111.204	387 262 1093	00030	7	111.204	387 262 1093	00320	10	111.205	387 262 0893	00400	6
111.204	387 262 1093	00030	19	111.204	387 262 1093	00330	10	111.206	389 262 0293	00165	11
111.204	387 262 1093	00040	7	111.204	387 262 1093	00350	10	111.206	389 262 0293	00175	11
111.204	387 262 1093	00040	19	111.204	387 262 1093	00350	25	111.206	389 262 0293	00185	11
111.204	387 262 1093	00050	7	111.204	387 262 1093	00370	8	111.206	389 262 0293	00195	11
111.204	387 262 1093	00050	18	111.205	387 262 0893	00030	29	111.206	389 262 0293	00215	11
111.204	387 262 1093	00060	10	111.205	387 262 0893	00040	29	111.206	389 262 0293	00235	13
111.204	387 262 1093	00060	23	111.205	387 262 0893	00050	28	111.206	389 262 0293	00255	11
111.204	387 262 1093	00070	7	111.205	387 262 0893	00060	33	111.206	389 262 0293	00265	14
111.204	387 262 1093	00070	18	111.205	387 262 0893	00070	27	111.206	389 262 0293	00275	7
111.204	387 262 1093	00080	6	111.205	387 262 0893	00080	40	111.206	389 262 0293	00285	14
111.204	387 262 1093	00080	18	111.205	387 262 0893	00090	39	111.206	389 262 0293	00295	14
111.204	387 262 1093	00080	30	111.205	387 262 0893	00140	42	111.206	389 262 0293	00315	7
111.204	387 262 1093	00090	7	111.205	387 262 0893	00160	25	111.206	389 262 0293	00325	14
111.204	387 262 1093	00090	18	111.205	387 262 0893	00180	17	111.206	389 262 0293	00335	14
111.204	387 262 1093	00090	29	111.205	387 262 0893	00190	18	111.206	389 262 0293	00355	14
111.204	387 262 1093	00140	14	111.205	387 262 0893	00190	30	111.206	389 262 0293	00365	14
111.204	387 262 1093	00140	19	111.205	387 262 0893	00200	33	111.206	389 262 0293	00375	14
111.204	387 262 1093	00140	32	111.205	387 262 0893	00210	18	111.206	389 262 0293	00385	14
111.204	387 262 1093	00160	6	111.205	387 262 0893	00210	30	111.206	389 262 0293	00395	14
111.204	387 262 1093	00170	8	111.205	387 262 0893	00220	33	111.206	389 262 0293	00405	14
111.204	387 262 1093	00170	18	111.205	387 262 0893	00230	19	111.208	029 997 5748	00165	25
111.204	387 262 1093	00180	7	111.205	387 262 0893	00230	29	111.208	029 997 5748	00175	24
111.204	387 262 1093	00190	6	111.205	387 262 0893	00240	32	111.208	029 997 5748	00185	25
111.204	387 262 1093	00190	18	111.205	387 262 0893	00250	17	111.208	029 997 5748	00195	25
111.204	387 262 1093	00200	10	111.205	387 262 0893	00260	25	111.208	029 997 5748	00215	25
111.204	387 262 1093	00200	23	111.205	387 262 0893	00260	37	111.208	029 997 5748	00235	27
111.204	387 262 1093	00210	6	111.205	387 262 0893	00280	19	111.208	029 997 5748	00255	25
111.204	387 262 1093	00210	18	111.205	387 262 0893	00280	29	111.208	029 997 5748	00265	29
111.204	387 262 1093	00220	10	111.205	387 262 0893	00290	18	111.208	029 997 5748	00285	29
111.204	387 262 1093	00220	22	111.205	387 262 0893	00300	32	111.208	029 997 5748	00295	29
111.204	387 262 1093	00230	7	111.205	387 262 0893	00320	25	111.208	029 997 5748	00325	29

Date

04 / 2011

Table

Index

CEI no.	MB no.	Tab.	Fig.	CEI no.	MB no.	Tab.	Fig.	CEI no.	MB no.	Tab.	Fig.
111.208	029 997 5748	00335	29	111.313	387 262 2373	00410	16	111.346	387 994 1141	00410	35
111.208	029 997 5748	00355	29	111.313	387 262 2373	00410	17	111.347	387 994 1341	00410	35
111.208	029 997 5748	00365	29	111.314	387 262 2473	00410	16	111.351	389 994 0041	00410	35
111.208	029 997 5748	00375	29	111.314	387 262 2473	00410	17	111.353	000 264 0951	00410	35
111.208	029 997 5748	00385	29	111.315	387 262 2573	00410	16	111.355	000471 120000	00410	24
111.208	029 997 5748	00395	29	111.315	387 262 2573	00410	17	111.356	000472 130000	00410	23
111.208	029 997 5748	00405	29	111.316	387 262 6873	00410	5	111.357	000988 070001	00410	9
111.209	389 262 0773	00235	10	111.317	387 262 6973	00410	5	111.358	006 994 4241	00280	55
111.209	389 262 0773	00265	11	111.318	387 262 7073	00410	5	111.358	006 994 4241	00315	30
111.209	389 262 0773	00285	11	111.319	387 262 7173	00410	5	111.358	006 994 4241	00320	65
111.209	389 262 0773	00295	11	111.320	387 262 7273	00410	5	111.358	006 994 4241	00330	55
111.209	389 262 0773	00325	11	111.321	387 262 7373	00410	5	111.358	006 994 4241	00340	46
111.209	389 262 0773	00335	11	111.322	387 262 7473	00410	5	111.358	006 994 4241	00360	51
111.209	389 262 0773	00355	11	111.323	387 262 7573	00410	5	111.358	006 994 4241	00370	54
111.209	389 262 0773	00365	11	111.324	387 262 7673	00410	5	111.358	006 994 4241	00380	51
111.209	389 262 0773	00375	11	111.324	387 262 7673	00410	16	111.358	006 994 4241	00395	35
111.209	389 262 0773	00385	11	111.324	387 262 7673	00410	16	111.358	006 994 4241	00405	35
111.209	389 262 0773	00395	11	111.325	387 262 7773	00410	5	111.358	006 994 4241	00410	39
111.209	389 262 0773	00405	11	111.325	387 262 7773	00410	16	111.359	006 994 7341	00410	21
111.259	000 994 9841	00410	12	111.326	387 262 7873	00410	5	111.378	304 356 0073	00630	26
111.260	007993 050200	00410	12	111.326	387 262 7873	00410	16	111.382	945 262 0073	00410	13
111.261	389 262 0973	00410	13	111.327	387 262 7973	00410	16	111.383	000472 140000	00410	27
111.273	007993 040200	00410	22	111.327	387 262 7973	00410	17	115.006	346 353 3251	00450	14
111.274	000472 060000	00410	22	111.328	387 262 8073	00410	16	115.006	346 353 3251	00450	22
111.303	007 994 0041	00410	16	111.328	387 262 8073	00410	17	115.006	346 353 3251	00550	20
111.303	007 994 0041	00410	17	111.329	387 262 8173	00410	16	115.006	346 353 3251	00550	28
111.304	007 994 1841	00410	21	111.329	387 262 8173	00410	17	115.010	355 353 6051	00430	16
111.305	387 262 0473	00410	5	111.330	387 262 8673	00410	5	115.010	355 353 6051	00540	21
111.305	387 262 0473	00410	16	111.331	387 262 8773	00410	5	115.015	615 353 0051	00490	17
111.306	387 262 0573	00410	5	111.332	387 262 8873	00410	5	115.015	615 353 0051	00580	21
111.306	387 262 0573	00410	16	111.333	387 262 8973	00410	5	115.015	615 353 0051	00670	14
111.307	387 262 0673	00410	5	111.334	387 262 9073	00410	5	115.025	395 353 0551	00430	24
111.307	387 262 0673	00410	16	111.335	387 262 9173	00410	5	115.025	395 353 0551	00540	29
111.308	387 262 0773	00410	5	111.336	387 262 9273	00410	5	117.083	346 353 0950	00450	15
111.308	387 262 0773	00410	16	111.337	387 262 9373	00410	5	117.083	346 353 0950	00450	23
111.309	387 262 0873	00410	5	111.338	387 268 0773	00410	8	117.083	346 353 0950	00550	21
111.309	387 262 0873	00410	16	111.339	387 268 0873	00410	8	117.083	346 353 0950	00550	29
111.310	387 262 0973	00410	5	111.340	387 268 0973	00410	8	117.235	346 353 0450	00440	12
111.310	387 262 0973	00410	16	111.341	387 268 1073	00410	8	117.236	346 353 0650	00440	17
111.311	387 262 2073	00410	16	111.342	387 994 0341	00410	35	117.253	355 353 0750	00430	17
111.311	387 262 2073	00410	17	111.343	387 994 0541	00410	35	117.253	355 353 0750	00540	22
111.312	387 262 2173	00410	16	111.344	387 994 0741	00410	35	117.269	383 262 1450	00010	26
111.312	387 262 2173	00410	17	111.345	387 994 0941	00410	35	117.270	383 262 0850	00010	37

Date

04 / 2011

Table

Index

All original equipment manufacturers numbers, symbols, pictures, models and description used in this catalogue are for reference only, and it is not implied that any part listed is the product of these manufacturers. Tutti i nostri particolari non sono originali ma con essi intercambiabili. I riferimenti originali, le figure, i modelli sono esposti a semplice titolo indicativo. La nostra produzione riporta il nostro marchio.

CEI Index

CEI no.	MB no.	Tab.	Fig.	CEI no.	MB no.	Tab.	Fig.	CEI no.	MB no.	Tab.	Fig.
117.271	337 262 2150	00010	15	117.324	389 263 0850	00320	60	117.330	387 262 0550	00030	15
117.272	385 262 1450	00020	27	117.324	389 263 0850	00330	51	117.330	387 262 0550	00040	15
117.273	385 262 1250	00020	34	117.324	389 263 0850	00350	60	117.330	387 262 0550	00050	14
117.274	385 262 0450	00020	19	117.324	389 263 0850	00360	48	117.330	387 262 0550	00090	25
117.277	355 353 0950	00420	12	117.324	389 263 0850	00370	50	117.331	387 263 1250	00030	50
117.277	355 353 0950	00460	12	117.324	389 263 0850	00380	48	117.331	387 263 1250	00040	52
117.277	355 353 0950	00480	12	117.324	389 263 0850	00390	35	117.331	387 263 1250	00050	52
117.278	355 353 1050	00420	17	117.324	389 263 0850	00400	35	117.331	387 263 1250	00090	64
117.278	355 353 1050	00460	17	117.324	389 263 0850	00410	38	117.332	387 263 0850	00030	50
117.278	355 353 1050	00480	17	117.325	389 262 3754	00180	37	117.332	387 263 0850	00040	52
117.279	387 262 0150	00030	15	117.325	389 262 3754	00190	43	117.332	387 263 0850	00050	52
117.279	387 262 0150	00040	15	117.325	389 262 3754	00210	43	117.332	387 263 0850	00080	63
117.279	387 262 0150	00050	14	117.325	389 262 3754	00230	42	117.332	387 263 0850	00090	64
117.279	387 262 0150	00090	25	117.325	389 262 3754	00250	37	117.333	387 262 0850	00040	38
117.300	659 353 0050	00440	25	117.325	389 262 3754	00260	51	117.333	387 262 0850	00080	48
117.322	389 262 0251	00165	15	117.325	389 262 3754	00280	41	117.334	387 262 0350	00040	15
117.322	389 262 0251	00185	15	117.325	389 262 3754	00290	35	117.335	389 262 0650	00060	18
117.322	389 262 0251	00195	15	117.325	389 262 3754	00320	51	117.336	389 262 1750	00060	43
117.322	389 262 0251	00215	15	117.325	389 262 3754	00330	41	117.337	387 262 1350	00070	14
117.322	389 262 0251	00235	17	117.325	389 262 3754	00350	51	117.338	387 263 1150	00070	52
117.322	389 262 0251	00255	15	117.325	389 262 3754	00360	37	117.339	387 262 0750	00070	14
117.322	389 262 0251	00265	18	117.325	389 262 3754	00370	41	117.340	387 263 0750	00070	52
117.322	389 262 0251	00285	18	117.325	389 262 3754	00380	37	117.342	387 262 0950	00080	26
117.322	389 262 0251	00295	18	117.326	389 262 0152	00180	37	117.343	387 263 0550	00090	59
117.322	389 262 0251	00325	18	117.326	389 262 0152	00190	43	117.344	387 263 0050	00090	57
117.322	389 262 0251	00335	18	117.326	389 262 0152	00210	43	117.352	653 353 0050	00420	25
117.322	389 262 0251	00355	18	117.326	389 262 0152	00250	37	117.352	653 353 0050	00460	22
117.322	389 262 0251	00365	18	117.326	389 262 0152	00410	20	117.352	653 353 0050	00480	25
117.322	389 262 0251	00375	18	117.327	389 262 2550	00190	40	117.353	395 353 0351	00430	26
117.322	389 262 0251	00385	18	117.327	389 262 2550	00210	40	117.353	395 353 0351	00540	31
117.322	389 262 0251	00395	18	117.327	389 262 2550	00230	39	117.394	CEI 117394	00500	19
117.322	389 262 0251	00405	18	117.327	389 262 2550	00260	48	117.394	CEI 117394	00520	19
117.322	389 262 0251	00410	25	117.327	389 262 2550	00280	38	117.395	000 353 1450	00500	14
117.323	389 263 0950	00160	49	117.327	389 262 2550	00320	48	117.395	000 353 1450	00520	14
117.323	389 263 0950	00410	38	117.327	389 262 2550	00330	38	117.396	CEI 117396	00500	21
117.324	389 263 0850	00180	47	117.327	389 262 2550	00350	48	117.396	CEI 117396	00520	21
117.324	389 263 0850	00190	53	117.327	389 262 2550	00370	38	117.412	387 267 0650	00160	54
117.324	389 263 0850	00210	53	117.327	389 262 2550	00380	34	117.412	387 267 0650	00165	31
117.324	389 263 0850	00230	52	117.327	389 262 2550	00410	18	117.412	387 267 0650	00175	29
117.324	389 263 0850	00250	47	117.329	387 262 1450	00030	37	117.412	387 267 0650	00185	31
117.324	389 263 0850	00260	60	117.329	387 262 1450	00040	38	117.412	387 267 0650	00190	58
117.324	389 263 0850	00280	51	117.329	387 262 1450	00050	37	117.412	387 267 0650	00195	31
117.324	389 263 0850	00290	43	117.329	387 262 1450	00090	48	117.412	387 267 0650	00210	58

Date

04 / 2011

Table

Index

CEI no.	MB no.	Tab.	Fig.	CEI no.	MB no.	Tab.	Fig.	CEI no.	MB no.	Tab.	Fig.
117.412	387 267 0650	00215	31	117.429	387 262 1550	00090	48	119.111	425 262 0137	00020	22
117.412	387 267 0650	00230	57	117.430	387 263 0950	00030	50	119.112	389 262 0637	00030	8
117.412	387 267 0650	00235	33	117.430	387 263 0950	00040	52	119.112	389 262 0637	00030	20
117.412	387 267 0650	00255	31	117.430	387 263 0950	00050	52	119.112	389 262 0637	00040	8
117.412	387 267 0650	00260	70	117.430	387 263 0950	00090	64	119.112	389 262 0637	00040	20
117.412	387 267 0650	00265	36	117.431	976 263 0050	00140	67	119.112	389 262 0637	00050	8
117.412	387 267 0650	00280	59	117.432	389 262 0150	00160	36	119.112	389 262 0637	00050	19
117.412	387 267 0650	00285	35	117.432	389 262 0150	00410	18	119.112	389 262 0637	00060	11
117.412	387 267 0650	00320	70	117.433	389 262 1250	00160	36	119.112	389 262 0637	00060	24
117.412	387 267 0650	00325	36	117.433	389 262 1250	00410	18	119.112	389 262 0637	00070	8
117.412	387 267 0650	00330	59	117.434	389 262 0950	00060	43	119.112	389 262 0637	00070	19
117.412	387 267 0650	00335	35	117.435	389 263 0650	00060	56	119.112	389 262 0637	00080	7
117.412	387 267 0650	00355	36	117.435	389 263 0650	00200	56	119.112	389 262 0637	00080	19
117.412	387 267 0650	00360	55	117.435	389 263 0650	00220	57	119.112	389 262 0637	00080	31
117.412	387 267 0650	00365	36	117.435	389 263 0650	00240	54	119.112	389 262 0637	00090	8
117.412	387 267 0650	00370	58	117.435	389 263 0650	00300	54	119.112	389 262 0637	00090	19
117.412	387 267 0650	00375	36	117.435	389 263 0650	00340	41	119.112	389 262 0637	00090	30
117.412	387 267 0650	00380	55	117.436	947 262 0152	00170	33	119.112	389 262 0637	00140	7
117.412	387 267 0650	00385	36	117.437	947 263 0050	00170	41	119.112	389 262 0637	00140	18
117.412	387 267 0650	00410	42	117.437	947 263 0050	00270	35	119.112	389 262 0637	00140	31
117.412	387 267 0650	00410	48	117.437	947 263 0050	00310	35	119.112	389 262 0637	00160	7
117.412	387 267 0650	00410	50	117.438	656 262 0050	00340	29	119.112	389 262 0637	00170	9
117.412	387 267 0650	00410	54	117.439	629 261 0074	00240	58	119.112	389 262 0637	00170	19
117.414	389 263 0050	00180	47	117.439	629 261 0074	00300	58	119.112	389 262 0637	00180	8
117.414	389 263 0050	00190	53	117.439	629 261 0074	00340	55	119.112	389 262 0637	00190	7
117.414	389 263 0050	00210	53	117.440	389 262 2250	00200	41	119.112	389 262 0637	00190	19
117.414	389 263 0050	00230	52	117.440	389 262 2250	00220	41	119.112	389 262 0637	00200	11
117.414	389 263 0050	00250	47	117.440	389 262 2250	00240	39	119.112	389 262 0637	00200	24
117.414	389 263 0050	00410	38	117.440	389 262 2250	00300	39	119.112	389 262 0637	00210	7
117.421	337 262 2250	00010	15	117.440	389 262 2250	00360	34	119.112	389 262 0637	00210	19
117.422	383 262 0750	00010	37	117.441	387 263 0650	00070	52	119.112	389 262 0637	00220	11
117.423	383 262 0950	00010	37	117.442	389 263 0150	00160	49	119.112	389 262 0637	00220	23
117.424	383 262 1350	00010	26	117.442	389 263 0150	00410	38	119.112	389 262 0637	00230	8
117.425	385 262 2050	00020	19	117.446	346 353 0350	00450	37	119.112	389 262 0637	00240	10
117.426	385 262 0636	00020	43	117.447	327 353 0338	00610	12	119.112	389 262 0637	00240	22
117.427	385 262 2450	00020	47	117.448	327 353 0438	00610	13	119.112	389 262 0637	00250	8
117.428	976 262 0350	00110	55	117.449	942 353 0150	00530	4	119.112	389 262 0637	00260	11
117.428	976 262 0350	00120	55	117.452	387 265 0650	00140	77	119.112	389 262 0637	00260	26
117.428	976 262 0350	00130	59	119.100	385 262 1437	00025	9	119.112	389 262 0637	00280	11
117.428	976 262 0350	00140	26	119.102	381 262 0037	00010	6	119.112	389 262 0637	00290	9
117.429	387 262 1550	00030	37	119.102	381 262 0037	00010	18	119.112	389 262 0637	00300	10
117.429	387 262 1550	00040	38	119.102	381 262 0037	00010	29	119.112	389 262 0637	00300	22
117.429	387 262 1550	00050	37	119.111	425 262 0137	00020	10	119.112	389 262 0637	00320	11

All original equipment manufacturers numbers, symbols, pictures, models and description used in this catalogue are for reference only, and it is not implied that any part listed is the product of these manufacturers. Tutti i nostri particolari non sono originali ma con essi intercambiabili. I riferimenti originali, le figure, i modelli sono esposti a semplice titolo indicativo. La nostra produzione riporta il nostro marchio.

CEI Index

CEI no.	MB no.	Tab.	Fig.	CEI no.	MB no.	Tab.	Fig.	CEI no.	MB no.	Tab.	Fig.
119.112	389 262 0637	00330	11	119.161	389 262 0737	00280	30	119.225	389 262 3237	00240	33
119.112	389 262 0637	00350	11	119.161	389 262 0737	00290	19	119.225	389 262 3237	00250	18
119.112	389 262 0637	00350	26	119.161	389 262 0737	00300	33	119.225	389 262 3237	00260	26
119.112	389 262 0637	00370	9	119.161	389 262 0737	00320	26	119.225	389 262 3237	00260	38
119.160	389 262 0537	00165	12	119.161	389 262 0737	00320	38	119.225	389 262 3237	00280	20
119.160	389 262 0537	00175	12	119.161	389 262 0737	00330	20	119.225	389 262 3237	00280	30
119.160	389 262 0537	00185	12	119.161	389 262 0737	00330	30	119.225	389 262 3237	00290	19
119.160	389 262 0537	00195	12	119.161	389 262 0737	00350	26	119.225	389 262 3237	00300	33
119.160	389 262 0537	00215	12	119.161	389 262 0737	00350	38	119.225	389 262 3237	00320	26
119.160	389 262 0537	00235	14	119.161	389 262 0737	00370	19	119.225	389 262 3237	00320	38
119.160	389 262 0537	00255	12	119.161	389 262 0737	00370	29	119.225	389 262 3237	00330	20
119.160	389 262 0537	00265	15	119.224	947 260 0945	00175	12	119.225	389 262 3237	00330	30
119.160	389 262 0537	00285	15	119.224	947 260 0945	00265	15	119.225	389 262 3237	00350	26
119.160	389 262 0537	00295	15	119.224	947 260 0945	00275	6	119.225	389 262 3237	00350	38
119.160	389 262 0537	00325	15	119.224	947 260 0945	00285	15	119.225	389 262 3237	00370	19
119.160	389 262 0537	00335	15	119.224	947 260 0945	00295	15	119.225	389 262 3237	00370	29
119.160	389 262 0537	00355	15	119.224	947 260 0945	00315	6	119.226	389 262 3137	00030	8
119.160	389 262 0537	00365	15	119.224	947 260 0945	00325	15	119.226	389 262 3137	00030	20
119.160	389 262 0537	00375	15	119.224	947 260 0945	00335	15	119.226	389 262 3137	00040	8
119.160	389 262 0537	00385	15	119.224	947 260 0945	00355	15	119.226	389 262 3137	00040	20
119.161	389 262 0737	00030	30	119.224	947 260 0945	00365	15	119.226	389 262 3137	00050	8
119.161	389 262 0737	00040	30	119.224	947 260 0945	00375	15	119.226	389 262 3137	00050	19
119.161	389 262 0737	00050	29	119.224	947 260 0945	00385	15	119.226	389 262 3137	00060	11
119.161	389 262 0737	00060	34	119.224	947 260 0945	00395	15	119.226	389 262 3137	00060	24
119.161	389 262 0737	00070	28	119.224	947 260 0945	00405	15	119.226	389 262 3137	00070	8
119.161	389 262 0737	00080	41	119.225	389 262 3237	00030	30	119.226	389 262 3137	00070	19
119.161	389 262 0737	00090	40	119.225	389 262 3237	00040	30	119.226	389 262 3137	00080	7
119.161	389 262 0737	00140	41	119.225	389 262 3237	00050	29	119.226	389 262 3137	00080	19
119.161	389 262 0737	00160	26	119.225	389 262 3237	00060	34	119.226	389 262 3137	00080	31
119.161	389 262 0737	00180	18	119.225	389 262 3237	00070	28	119.226	389 262 3137	00090	8
119.161	389 262 0737	00190	19	119.225	389 262 3237	00080	41	119.226	389 262 3137	00090	19
119.161	389 262 0737	00190	31	119.225	389 262 3237	00090	40	119.226	389 262 3137	00090	30
119.161	389 262 0737	00200	34	119.225	389 262 3237	00140	41	119.226	389 262 3137	00140	7
119.161	389 262 0737	00210	19	119.225	389 262 3237	00160	26	119.226	389 262 3137	00140	18
119.161	389 262 0737	00210	31	119.225	389 262 3237	00180	18	119.226	389 262 3137	00140	31
119.161	389 262 0737	00220	34	119.225	389 262 3237	00190	19	119.226	389 262 3137	00160	7
119.161	389 262 0737	00230	20	119.225	389 262 3237	00190	31	119.226	389 262 3137	00170	9
119.161	389 262 0737	00230	30	119.225	389 262 3237	00200	34	119.226	389 262 3137	00170	19
119.161	389 262 0737	00240	33	119.225	389 262 3237	00210	19	119.226	389 262 3137	00180	8
119.161	389 262 0737	00250	18	119.225	389 262 3237	00210	31	119.226	389 262 3137	00190	7
119.161	389 262 0737	00260	26	119.225	389 262 3237	00220	34	119.226	389 262 3137	00190	19
119.161	389 262 0737	00260	38	119.225	389 262 3237	00230	20	119.226	389 262 3137	00200	11
119.161	389 262 0737	00280	20	119.225	389 262 3237	00230	30	119.226	389 262 3137	00200	24

Date

04 / 2011

Table

Index

CEI no.	MB no.	Tab.	Fig.	CEI no.	MB no.	Tab.	Fig.	CEI no.	MB no.	Tab.	Fig.
119.226	389 262 3137	00210	7	119.232	970 262 3837	00120	32	119.252	970 262 3937	00120	18
119.226	389 262 3137	00210	19	119.232	970 262 3837	00130	35	119.252	970 262 3937	00130	20
119.226	389 262 3137	00220	11	119.232	970 262 3837	00150	34	119.252	970 262 3937	00150	20
119.226	389 262 3137	00220	23	119.237	946 262 6137	00200	34	119.271	947 260 0545	00170	9
119.226	389 262 3137	00230	8	119.237	946 262 6137	00220	34	119.271	947 260 0545	00170	19
119.226	389 262 3137	00240	10	119.237	946 262 6137	00240	33	119.271	947 260 0545	00200	11
119.226	389 262 3137	00240	22	119.237	946 262 6137	00260	26	119.271	947 260 0545	00200	24
119.226	389 262 3137	00250	8	119.237	946 262 6137	00260	38	119.271	947 260 0545	00220	11
119.226	389 262 3137	00260	11	119.237	946 262 6137	00280	20	119.271	947 260 0545	00220	23
119.226	389 262 3137	00260	26	119.237	946 262 6137	00280	30	119.271	947 260 0545	00240	10
119.226	389 262 3137	00280	11	119.237	946 262 6137	00290	19	119.271	947 260 0545	00240	22
119.226	389 262 3137	00290	9	119.237	946 262 6137	00300	33	119.271	947 260 0545	00260	11
119.226	389 262 3137	00300	10	119.237	946 262 6137	00320	26	119.271	947 260 0545	00270	5
119.226	389 262 3137	00300	22	119.237	946 262 6137	00320	38	119.271	947 260 0545	00280	11
119.226	389 262 3137	00320	11	119.237	946 262 6137	00330	20	119.271	947 260 0545	00290	9
119.226	389 262 3137	00330	11	119.237	946 262 6137	00330	30	119.271	947 260 0545	00300	10
119.226	389 262 3137	00350	11	119.237	946 262 6137	00340	8	119.271	947 260 0545	00300	22
119.226	389 262 3137	00350	26	119.237	946 262 6137	00350	26	119.271	947 260 0545	00310	5
119.226	389 262 3137	00370	9	119.237	946 262 6137	00350	38	119.271	947 260 0545	00320	11
119.227	970 262 3037	00100	5	119.237	946 262 6137	00360	11	119.271	947 260 0545	00330	11
119.227	970 262 3037	00110	7	119.237	946 262 6137	00370	19	119.271	947 260 0545	00350	11
119.227	970 262 3037	00120	6	119.237	946 262 6137	00370	29	119.271	947 260 0545	00370	9
119.227	970 262 3037	00130	6	119.237	946 262 6137	00380	11	119.293	972 262 0337	00100	19
119.227	970 262 3037	00150	6	119.237	946 262 6137	00390	5	119.294	972 262 0137	00100	17
119.228	970 262 3134	00100	31	119.237	946 262 6137	00400	5	119.295	971 260 0945	00100	17
119.228	970 262 3134	00110	18	119.250	389 262 3337	00165	12	119.297	972 262 0089	00100	18
119.228	970 262 3134	00120	17	119.250	389 262 3337	00175	12	119.298	CEI 119298	00175	12
119.228	970 262 3134	00130	19	119.250	389 262 3337	00185	12	119.298	CEI 119298	00265	15
119.228	970 262 3134	00150	19	119.250	389 262 3337	00195	12	119.298	CEI 119298	00275	6
119.229	970 262 3537	00100	32	119.250	389 262 3337	00215	12	119.298	CEI 119298	00285	15
119.229	970 262 3537	00110	17	119.250	389 262 3337	00235	14	119.298	CEI 119298	00295	15
119.229	970 262 3537	00120	16	119.250	389 262 3337	00255	12	119.298	CEI 119298	00315	6
119.229	970 262 3537	00130	18	119.250	389 262 3337	00265	15	119.298	CEI 119298	00325	15
119.229	970 262 3537	00150	18	119.250	389 262 3337	00285	15	119.298	CEI 119298	00335	15
119.230	970 262 3437	00110	31	119.250	389 262 3337	00295	15	119.298	CEI 119298	00355	15
119.230	970 262 3437	00120	31	119.250	389 262 3337	00325	15	119.298	CEI 119298	00365	15
119.230	970 262 3437	00130	34	119.250	389 262 3337	00335	15	119.298	CEI 119298	00375	15
119.230	970 262 3437	00150	33	119.250	389 262 3337	00355	15	119.298	CEI 119298	00385	15
119.231	970 262 3034	00110	30	119.250	389 262 3337	00365	15	119.298	CEI 119298	00395	15
119.231	970 262 3034	00120	30	119.250	389 262 3337	00375	15	119.298	CEI 119298	00405	15
119.231	970 262 3034	00130	33	119.250	389 262 3337	00385	15	119.299	CEI 119299	00200	34
119.231	970 262 3034	00150	32	119.252	970 262 3937	00100	33	119.299	CEI 119299	00220	34
119.232	970 262 3837	00110	32	119.252	970 262 3937	00110	19	119.299	CEI 119299	00240	33

Date

04 / 2011

Table

Index

CEI Index

CEI no.	MB no.	Tab.	Fig.	CEI no.	MB no.	Tab.	Fig.	CEI no.	MB no.	Tab.	Fig.
119.299	CEI 119299	00260	26	122.017	335 353 0015	00630	9	122.238	385 353 0115	00460	19
119.299	CEI 119299	00260	38	122.019	309 353 0215	00590	11	122.238	385 353 0115	00480	19
119.299	CEI 119299	00280	20	122.020	354 353 0015	00610	18	122.239	675 353 0115	00470	13
119.299	CEI 119299	00280	30	122.020	354 353 0015	00620	12	122.239	675 353 0115	00560	18
119.299	CEI 119299	00290	19	122.059	346 353 0515	00440	19	122.239	675 353 0115	00570	12
119.299	CEI 119299	00300	33	122.064	355 353 0315	00430	8	122.239	675 353 0115	00660	12
119.299	CEI 119299	00320	26	122.064	355 353 0315	00430	14	122.240	669 353 0315	00590	11
119.299	CEI 119299	00320	38	122.064	355 353 0315	00540	17	122.241	615 353 0315	00670	12
119.299	CEI 119299	00330	20	122.064	355 353 0315	00540	25	122.242	611 353 5015	00640	10
119.299	CEI 119299	00330	30	122.066	314 353 0715	00600	11	122.243	669 353 0215	00590	11
119.299	CEI 119299	00340	8	122.069	617 353 0115	00490	13	122.244	674 353 0015	00600	11
119.299	CEI 119299	00350	26	122.069	617 353 0115	00490	21	123.089	326 354 1112	00630	24
119.299	CEI 119299	00350	38	122.069	617 353 0115	00580	13	123.091	326 354 1012	00630	24
119.299	CEI 119299	00360	11	122.069	617 353 0115	00580	19	123.116	326 354 1212	00630	24
119.299	CEI 119299	00370	19	122.072	355 353 0215	00420	19	123.132	346 354 0412	00730	6
119.299	CEI 119299	00370	29	122.076	346 353 0815	00450	8	123.149	346 354 0512	00720	6
119.299	CEI 119299	00380	11	122.076	346 353 0815	00450	26	123.170	385 262 0208	00025	7
119.299	CEI 119299	00390	5	122.076	346 353 0815	00530	20	123.191	355 354 1312	00720	6
119.299	CEI 119299	00400	5	122.076	346 353 0815	00550	16	123.205	346 354 1412	00730	6
119.300	CEI 119300	00170	9	122.076	346 353 0815	00550	32	123.227	389 262 0308	00165	9
119.300	CEI 119300	00170	19	122.076	346 353 0815	00550	36	123.228	389 262 0208	00185	9
119.300	CEI 119300	00200	11	122.076	346 353 0815	00690	17	123.228	389 262 0208	00195	9
119.300	CEI 119300	00200	24	122.088	346 353 1115	00440	29	123.228	389 262 0208	00215	9
119.300	CEI 119300	00220	11	122.103	355 353 0815	00430	14	123.228	389 262 0208	00255	9
119.300	CEI 119300	00220	23	122.103	355 353 0815	00540	25	123.229	389 262 0408	00235	9
119.300	CEI 119300	00240	10	122.104	355 353 0615	00430	22	123.230	945 262 0108	00265	9
119.300	CEI 119300	00240	22	122.104	355 353 0615	00540	34	123.230	945 262 0108	00285	9
119.300	CEI 119300	00260	11	122.104	355 353 0615	00680	17	123.230	945 262 0108	00295	9
119.300	CEI 119300	00270	5	122.105	355 353 1115	00420	29	123.230	945 262 0108	00325	9
119.300	CEI 119300	00280	11	122.130	946 353 0015	00710	12	123.230	945 262 0108	00335	9
119.300	CEI 119300	00290	9	122.131	675 353 0215	00560	12	123.230	945 262 0108	00355	9
119.300	CEI 119300	00300	10	122.131	675 353 0215	00650	14	123.230	945 262 0108	00365	9
119.300	CEI 119300	00300	22	122.131	675 353 0215	00660	12	123.230	945 262 0108	00375	9
119.300	CEI 119300	00310	5	122.131	675 353 0215	00700	13	123.230	945 262 0108	00385	9
119.300	CEI 119300	00320	11	122.132	302 353 0015	00470	13	123.230	945 262 0108	00395	9
119.300	CEI 119300	00330	11	122.132	302 353 0015	00560	18	123.230	945 262 0108	00405	9
119.300	CEI 119300	00350	11	122.132	302 353 0015	00570	12	123.231	389 262 0608	00265	9
119.300	CEI 119300	00370	9	122.160	356 173 0055	00520	20	123.232	945 262 0208	00265	10
122.005	346 353 0315	00450	8	122.165	CEI 122165	00510	17	123.232	945 262 0208	00285	10
122.005	346 353 0315	00450	18	122.166	356 173 0043	00500	20	123.232	945 262 0208	00295	10
122.005	346 353 0315	00550	16	122.185	301 353 0115	00610	18	123.232	945 262 0208	00325	10
122.005	346 353 0315	00550	24	122.185	301 353 0115	00620	12	123.232	945 262 0208	00335	10
122.006	358 353 0015	00560	12	122.237	380 353 0015	00600	11	123.232	945 262 0208	00355	10

Date

04 / 2011

Table

Index

CEI no.	MB no.	Tab.	Fig.	CEI no.	MB no.	Tab.	Fig.	CEI no.	MB no.	Tab.	Fig.
123.232	945 262 0208	00365	10	130.318	003 981 7005	00430	5	130.540	008 981 1325	00235	8
123.232	945 262 0208	00375	10	130.318	003 981 7005	00450	4	130.540	008 981 1325	00255	8
123.232	945 262 0208	00385	10	130.318	003 981 7005	00540	7	130.540	008 981 1325	00265	8
123.232	945 262 0208	00395	10	130.318	003 981 7005	00680	5	130.540	008 981 1325	00275	3
123.232	945 262 0208	00405	10	130.319	003 981 4105	00430	32	130.540	008 981 1325	00285	8
123.235	355 354 0312	00720	6	130.319	003 981 4105	00540	10	130.540	008 981 1325	00295	8
123.236	355 354 1212	00720	6	130.320	005 981 4605	00540	5	130.540	008 981 1325	00315	3
123.237	346 354 1312	00740	6	130.320	005 981 4605	00680	4	130.540	008 981 1325	00325	8
123.238	355 354 2712	00720	6	130.321	000625 920066	00440	7	130.540	008 981 1325	00335	8
123.239	355 354 1512	00730	6	130.322	000000 000759	00440	31	130.540	008 981 1325	00355	8
123.240	346 354 2612	00730	6	130.323	005 981 5925	00440	34	130.540	008 981 1325	00365	8
123.241	355 354 0412	00730	6	130.323	005 981 5925	00520	28	130.540	008 981 1325	00375	8
123.283	947 262 1208	00175	9	130.324	002 981 4505	00530	3	130.540	008 981 1325	00385	8
123.295	389 262 0708	00265	10	130.324	002 981 4505	00550	5	130.540	008 981 1325	00395	8
123.295	389 262 0708	00355	10	130.324	002 981 4505	00670	4	130.540	008 981 1325	00405	8
123.297	346 354 2812	00740	6	130.324	002 981 4505	00690	4	130.541	010 981 5205	00160	45
123.298	346 354 3212	00740	6	130.538	004 981 9225	00165	23	130.542	010 981 5905	00040	51
123.299	346 354 3712	00720	6	130.538	004 981 9225	00185	23	130.542	010 981 5905	00070	51
123.300	346 354 4412	00730	6	130.538	004 981 9225	00195	23	130.542	010 981 5905	00080	56
123.301	355 354 3012	00720	6	130.538	004 981 9225	00215	23	130.542	010 981 5905	00160	41
123.303	346 354 4312	00730	6	130.538	004 981 9225	00235	25	130.543	008 981 8005	00160	38
123.312	346 354 1112	00740	6	130.538	004 981 9225	00255	23	130.544	017 981 3205	00160	11
123.313	945 262 0808	00265	10	130.538	004 981 9225	00265	27	130.545	010 981 2405	00160	14
123.313	945 262 0808	00285	10	130.538	004 981 9225	00285	27	130.546	011 981 7705	00160	60
123.313	945 262 0808	00295	10	130.538	004 981 9225	00295	27	130.546	011 981 7705	00190	16
123.313	945 262 0808	00325	10	130.538	004 981 9225	00325	27	130.546	011 981 7705	00210	16
123.313	945 262 0808	00335	10	130.538	004 981 9225	00335	27	130.546	011 981 7705	00230	17
123.313	945 262 0808	00355	10	130.538	004 981 9225	00355	27	130.546	011 981 7705	00260	22
123.313	945 262 0808	00365	10	130.538	004 981 9225	00365	27	130.547	CEI 130547	00160	62
123.313	945 262 0808	00375	10	130.538	004 981 9225	00375	27	130.547	CEI 130547	00190	16
123.313	945 262 0808	00385	10	130.538	004 981 9225	00385	27	130.547	CEI 130547	00210	16
123.313	945 262 0808	00395	10	130.539	004 981 9325	00165	17	130.547	CEI 130547	00230	17
123.313	945 262 0808	00405	10	130.539	004 981 9325	00185	17	130.547	CEI 130547	00260	24
123.314	947 262 2508	00275	4	130.539	004 981 9325	00195	17	130.547	CEI 130547	00280	54
123.314	947 262 2508	00315	4	130.539	004 981 9325	00215	17	130.547	CEI 130547	00320	22
123.319	355 354 3212	00720	6	130.539	004 981 9325	00235	19	130.547	CEI 130547	00330	54
128.041	320 357 0121	00630	17	130.539	004 981 9325	00255	17	130.548	002 981 1580	00160	61
128.227	CEI 128227	00510	9	130.539	004 981 9325	00265	34	130.548	002 981 1580	00190	16
128.229	942 353 0428	00530	10	130.539	004 981 9325	00355	34	130.548	002 981 1580	00210	16
128.229	942 353 0428	00690	11	130.540	008 981 1325	00165	8	130.548	002 981 1580	00230	17
128.240	354 353 0113	00610	7	130.540	008 981 1325	00185	8	130.548	002 981 1580	00260	23
128.241	944 351 0008	00500	8	130.540	008 981 1325	00195	8	130.549	009 981 6205	00160	3
130.317	003 981 7805	00430	4	130.540	008 981 1325	00215	8	130.550	011 981 1305	00060	4

Date

04 / 2011

Table

Index

All original equipment manufacturers numbers, symbols, pictures, models and description used in this catalogue are for reference only, and it is not implied that any part listed is the product of these manufacturers.
Tutti i nostri particolari non sono originali ma con essi intercambiabili. I riferimenti originali, le figure, i modelli sono esposti a semplice titolo indicativo. La nostra produzione riporta il nostro marchio.

CEI Index

CEI no.	MB no.	Tab.	Fig.	CEI no.	MB no.	Tab.	Fig.	CEI no.	MB no.	Tab.	Fig.
130.550	011 981 1305	00180	3	130.552	014 981 6105	00400	26	130.556	014 981 1905	00280	15
130.550	011 981 1305	00190	3	130.553	016 981 1205	00180	43	130.556	014 981 1905	00310	10
130.550	011 981 1305	00200	4	130.553	016 981 1205	00190	49	130.556	014 981 1905	00330	15
130.550	011 981 1305	00210	3	130.553	016 981 1205	00210	49	130.556	014 981 1905	00360	15
130.550	011 981 1305	00220	4	130.553	016 981 1205	00230	48	130.556	014 981 1905	00380	15
130.550	011 981 1305	00230	4	130.553	016 981 1205	00250	43	130.556	014 981 1905	00390	10
130.550	011 981 1305	00240	4	130.553	016 981 1205	00260	57	130.556	014 981 1905	00400	10
130.550	011 981 1305	00250	3	130.553	016 981 1205	00280	48	130.557	011 981 7605	00190	14
130.550	011 981 1305	00260	7	130.553	016 981 1205	00290	40	130.557	011 981 7605	00210	14
130.550	011 981 1305	00270	3	130.553	016 981 1205	00320	57	130.557	011 981 7605	00230	15
130.550	011 981 1305	00280	6	130.553	016 981 1205	00330	48	130.557	011 981 7605	00260	16
130.550	011 981 1305	00290	4	130.553	016 981 1205	00350	57	130.558	015 981 1605	00060	8
130.550	011 981 1305	00300	4	130.553	016 981 1205	00360	45	130.558	015 981 1605	00200	8
130.550	011 981 1305	00310	3	130.553	016 981 1205	00370	47	130.558	015 981 1605	00220	8
130.550	011 981 1305	00320	7	130.553	016 981 1205	00380	45	130.558	015 981 1605	00240	7
130.550	011 981 1305	00330	6	130.554	014 981 1405	00060	50	130.558	015 981 1605	00260	15
130.550	011 981 1305	00340	4	130.554	014 981 1405	00140	57	130.558	015 981 1605	00270	14
130.550	011 981 1305	00350	7	130.554	014 981 1405	00170	35	130.558	015 981 1605	00290	6
130.550	011 981 1305	00360	6	130.554	014 981 1405	00180	40	130.558	015 981 1605	00300	7
130.550	011 981 1305	00370	5	130.554	014 981 1405	00190	45	130.558	015 981 1605	00310	14
130.550	011 981 1305	00380	6	130.554	014 981 1405	00200	50	130.558	015 981 1605	00320	15
130.550	011 981 1305	00390	3	130.554	014 981 1405	00210	45	130.558	015 981 1605	00350	15
130.550	011 981 1305	00400	3	130.554	014 981 1405	00220	51	130.558	015 981 1605	00370	13
130.551	008 981 2805	00180	5	130.554	014 981 1405	00230	44	130.559	015 981 6205	00350	24
130.551	008 981 2805	00190	11	130.554	014 981 1405	00240	48	130.559	015 981 6205	00360	19
130.551	008 981 2805	00210	11	130.554	014 981 1405	00250	40	130.559	015 981 6205	00370	16
130.551	008 981 2805	00230	12	130.554	014 981 1405	00260	53	130.559	015 981 6205	00380	19
130.551	008 981 2805	00250	5	130.554	014 981 1405	00270	28	130.560	017 981 5105	00350	17
130.552	014 981 6105	00180	36	130.554	014 981 1405	00280	44	130.560	017 981 5105	00360	16
130.552	014 981 6105	00190	42	130.554	014 981 1405	00290	37	130.560	017 981 5105	00370	14
130.552	014 981 6105	00210	42	130.554	014 981 1405	00300	48	130.560	017 981 5105	00380	16
130.552	014 981 6105	00230	41	130.554	014 981 1405	00310	28	130.560	017 981 5105	00390	12
130.552	014 981 6105	00250	36	130.554	014 981 1405	00320	53	130.560	017 981 5105	00400	12
130.552	014 981 6105	00260	50	130.554	014 981 1405	00330	44	130.561	015 981 7605	00190	14
130.552	014 981 6105	00280	40	130.554	014 981 1405	00350	53	130.561	015 981 7605	00210	14
130.552	014 981 6105	00290	34	130.554	014 981 1405	00360	41	130.561	015 981 7605	00230	15
130.552	014 981 6105	00320	50	130.554	014 981 1405	00370	43	130.561	015 981 7605	00260	16
130.552	014 981 6105	00330	40	130.554	014 981 1405	00380	41	130.561	015 981 7605	00260	17
130.552	014 981 6105	00350	50	130.555	002 981 1680	00190	14	130.561	015 981 7605	00270	12
130.552	014 981 6105	00360	36	130.555	002 981 1680	00210	14	130.561	015 981 7605	00280	16
130.552	014 981 6105	00370	40	130.555	002 981 1680	00230	15	130.561	015 981 7605	00310	12
130.552	014 981 6105	00380	36	130.555	002 981 1680	00260	16	130.561	015 981 7605	00320	17
130.552	014 981 6105	00390	26	130.556	014 981 1905	00270	10	130.561	015 981 7605	00330	16

Date

04 / 2011

Table

Index

CEI no.	MB no.	Tab.	Fig.	CEI no.	MB no.	Tab.	Fig.	CEI no.	MB no.	Tab.	Fig.
130.561	015 981 7605	00340	14	130.574	008 981 5201	00050	3	130.598	003 981 3105	00530	5
130.562	011 981 6005	00260	17	130.574	008 981 5201	00070	3	130.598	003 981 3105	00550	7
130.563	007 981 8201	00265	34	130.574	008 981 5201	00090	13	130.598	003 981 3105	00690	5
130.563	007 981 8201	00285	20	130.576	008 981 9501	00020	3	130.599	003 981 3205	00450	31
130.563	007 981 8201	00295	20	130.576	008 981 9501	00020	39	130.599	003 981 3205	00550	11
130.563	007 981 8201	00325	34	130.576	008 981 9501	00020	50	130.791	942 981 0205	00520	23
130.563	007 981 8201	00335	20	130.576	008 981 9501	00040	3	130.803	012 981 2805	00140	12
130.563	007 981 8201	00355	34	130.576	008 981 9501	00070	3	130.804	013 981 0405	00140	20
130.563	007 981 8201	00365	34	130.576	008 981 9501	00080	9	130.818	008 981 9525	00175	8
130.563	007 981 8201	00375	34	130.577	007 981 2001	00040	3	130.819	009 981 0325	00175	17
130.563	007 981 8201	00385	34	130.577	007 981 2001	00070	3	130.826	002 981 4581	00140	52
130.564	008 981 3025	00265	34	130.577	007 981 2001	00080	9	130.827	013 981 0305	00140	13
130.564	008 981 3025	00285	20	130.578	004 981 5525	00040	44	130.828	014 981 3905	00140	3
130.564	008 981 3025	00295	20	130.578	004 981 5525	00080	54	130.829	002 981 4681	00140	63
130.564	008 981 3025	00325	34	130.579	002 981 1412	00040	5	130.831	001 981 1701	00010	2
130.564	008 981 3025	00335	20	130.579	002 981 1412	00070	5	130.838	001 981 8905	00020	58
130.564	008 981 3025	00355	34	130.580	009 981 8905	00060	48	130.838	001 981 8905	00590	8
130.564	008 981 3025	00365	34	130.581	012 981 3705	00060	48	130.839	002 981 3725	00025	16
130.564	008 981 3025	00375	34	130.581	012 981 3705	00200	46	130.840	016 981 7105	00100	3
130.564	008 981 3025	00385	34	130.581	012 981 3705	00220	47	130.841	017 981 3805	00100	1
130.564	008 981 3025	00395	34	130.581	012 981 3705	00240	44	130.841	017 981 3805	00100	45
130.564	008 981 3025	00405	34	130.581	012 981 3705	00300	44	130.842	016 981 7305	00100	48
130.571	009 981 3105	00030	44	130.581	012 981 3705	00340	34	130.843	016 981 7205	00100	52
130.571	009 981 3105	00030	49	130.582	008 981 8901	00070	44	130.844	009 981 5825	00110	2
130.571	009 981 3105	00040	46	130.583	003 981 9125	00080	14	130.844	009 981 5825	00110	43
130.571	009 981 3105	00040	51	130.584	001 981 9412	00010	4	130.844	009 981 5825	00120	2
130.571	009 981 3105	00050	46	130.584	001 981 9412	00080	11	130.844	009 981 5825	00120	44
130.571	009 981 3105	00050	51	130.585	004 981 3601	00090	58	130.844	009 981 5825	00130	2
130.571	009 981 3105	00070	46	130.586	001 981 8912	00090	14	130.844	009 981 5825	00130	49
130.571	009 981 3105	00090	55	130.587	012 981 3605	00060	68	130.844	009 981 5825	00150	2
130.572	008 981 5301	00030	42	130.587	012 981 3605	00200	66	130.844	009 981 5825	00150	45
130.572	008 981 5301	00040	44	130.587	012 981 3605	00220	56	130.845	009 981 5725	00110	47
130.572	008 981 5301	00050	43	130.587	012 981 3605	00240	53	130.845	009 981 5725	00120	47
130.572	008 981 5301	00070	44	130.587	012 981 3605	00300	53	130.845	009 981 5725	00130	51
130.572	008 981 5301	00090	53	130.587	012 981 3605	00340	40	130.845	009 981 5725	00150	47
130.573	001 981 3105	00010	43	130.595	000625 920067	00420	7	130.846	010 981 4901	00110	52
130.573	001 981 3105	00020	53	130.595	000625 920067	00460	7	130.846	010 981 4901	00120	52
130.573	001 981 3105	00020	59	130.595	000625 920067	00480	7	130.846	010 981 4901	00130	56
130.573	001 981 3105	00020	62	130.596	003 981 4925	00420	31	130.846	010 981 4901	00150	52
130.573	001 981 3105	00040	46	130.597	002 981 8125	00420	34	130.852	001 981 9780	00140	64
130.573	001 981 3105	00070	46	130.597	002 981 8125	00460	29	130.853	016 981 1405	00170	3
130.574	008 981 5201	00030	3	130.597	002 981 8125	00480	32	130.854	000 981 1201	00010	39
130.574	008 981 5201	00040	3	130.598	003 981 3105	00450	5	130.855	000 981 2927	00010	40

All original equipment manufacturers numbers, symbols, pictures, models and description used in this catalogue are for reference only, and it is not implied that any part listed is the product of these manufacturers.
Tutti i nostri particolari non sono originali ma con essi intercambiabili. I riferimenti originali, le figure, i modelli sono esposti a semplice titolo indicativo. La nostra produzione riporta il nostro marchio.

CEI Index

CEI no.	MB no.	Tab.	Fig.	CEI no.	MB no.	Tab.	Fig.	CEI no.	MB no.	Tab.	Fig.
130.856	016 981 1505	00170	6	130.874	002 981 1105	00560	5	130.903	942 981 0405	00500	7
130.857	016 981 0105	00170	32	130.874	002 981 1105	00570	5	130.903	942 981 0405	00520	7
130.858	015 981 9705	00170	44	130.875	002 981 1605	00560	9	130.904	944 350 0049	00500	23
130.859	008 981 5425	00175	21	130.875	002 981 1605	00660	9	130.905	944 981 0025	00500	27
130.859	008 981 5425	00265	27	130.876	002 981 8805	00600	5	130.905	944 981 0025	00500	33
130.859	008 981 5425	00275	15	130.877	002 981 9405	00590	5	130.906	014 981 2005	00700	5
130.859	008 981 5425	00285	27	130.878	002 981 9705	00470	7	130.906	014 981 2005	00710	4
130.859	008 981 5425	00295	27	130.878	002 981 9705	00570	9	130.907	005412 410215	00630	23
130.859	008 981 5425	00315	15	130.879	003 981 1205	00610	5	130.908	014 981 7605	00650	5
130.859	008 981 5425	00325	27	130.879	003 981 1205	00620	6	130.909	014 981 2205	00710	5
130.859	008 981 5425	00335	27	130.880	003 981 2901	00600	5	130.910	015 981 9005	00390	28
130.859	008 981 5425	00355	27	130.881	003 981 4825	00460	26	130.910	015 981 9005	00400	28
130.859	008 981 5425	00365	27	130.882	004 981 2905	00660	9	130.911	017 981 2605	00390	29
130.859	008 981 5425	00375	27	130.883	006 981 0005	00490	8	130.911	017 981 2605	00400	40
130.859	008 981 5425	00385	27	130.883	006 981 0005	00580	10	130.916	006 981 7605	00510	10
130.859	008 981 5425	00395	27	130.883	006 981 0005	00670	9	130.916	006 981 7605	00530	13
130.859	008 981 5425	00405	27	130.884	005 981 2405	00640	5	130.916	006 981 7605	00680	7
130.860	015 981 1705	00340	13	130.885	005 981 9405	00600	8	130.917	001 981 0712	00010	4
130.861	012 981 9605	00340	36	130.886	006 981 0605	00630	14	132.062	930 260 2789	00175	30
130.862	002 981 7781	00270	32	130.887	006 981 1005	00630	4	132.062	930 260 2789	00265	37
130.862	002 981 7781	00310	32	130.888	006 981 1705	00490	4	132.062	930 260 2789	00285	36
130.863	009 981 3625	00275	13	130.888	006 981 1705	00580	6	132.062	930 260 2789	00295	35
130.863	009 981 3625	00315	13	130.889	006 981 3505	00490	5	132.062	930 260 2789	00325	37
130.864	016 981 7881	00270	26	130.889	006 981 3505	00580	7	132.062	930 260 2789	00335	36
130.864	016 981 7881	00310	26	130.889	006 981 3505	00670	6	132.062	930 260 2789	00355	37
130.865	017 981 7105	00390	14	130.890	007 981 0201	00480	29	132.062	930 260 2789	00365	37
130.865	017 981 7105	00400	14	130.891	007 981 5305	00640	3	132.062	930 260 2789	00375	37
130.866	000 981 4301	00630	22	130.892	008 981 1605	00600	5	132.062	930 260 2789	00385	37
130.867	001 980 6802	00640	8	130.893	009 981 7905	00710	7	132.063	930 260 2889	00175	30
130.868	001 981 0601	00630	5	130.894	011 981 3405	00660	5	132.063	930 260 2889	00265	37
130.869	001 981 6005	00590	8	130.895	011 981 3605	00710	10	132.063	930 260 2889	00285	36
130.869	001 981 6005	00600	8	130.896	012 981 8505	00470	5	132.063	930 260 2889	00295	35
130.870	017 981 7905	00530	11	130.896	012 981 8505	00560	6	132.063	930 260 2889	00325	37
130.870	017 981 7905	00610	9	130.896	012 981 8505	00570	6	132.063	930 260 2889	00335	36
130.870	017 981 7905	00620	9	130.896	012 981 8505	00660	6	132.063	930 260 2889	00355	37
130.870	017 981 7905	00650	10	130.897	014 981 4905	00700	6	132.063	930 260 2889	00375	37
130.870	017 981 7905	00690	12	130.898	014 981 5405	00700	8	132.065	945 267 1119	00165	35
130.870	017 981 7905	00700	11	130.899	017 981 8205	00510	20	132.065	945 267 1119	00185	35
130.871	001 981 8505	00630	16	130.899	017 981 8205	00680	12	132.065	945 267 1119	00195	35
130.872	001 981 9405	00600	5	130.899	017 981 8205	00690	7	132.065	945 267 1119	00215	35
130.873	001 981 9905	00610	4	130.900	017 981 8005	00650	8	132.065	945 267 1119	00235	37
130.873	001 981 9905	00620	5	130.901	944 350 0149	00510	3	132.065	945 267 1119	00255	35
130.874	002 981 1105	00470	4	130.902	942 981 0505	00510	4	132.065	945 267 1119	00265	44

Date

04 / 2011

Table

Index

CEI no.	MB no.	Tab.	Fig.	CEI no.	MB no.	Tab.	Fig.	CEI no.	MB no.	Tab.	Fig.
132.065	945 267 1119	00355	44	132.071	930 260 2289	00275	26	133.013	346 353 0420	00550	19
132.066	389 267 1018	00165	32	132.071	930 260 2289	00315	26	133.013	346 353 0420	00550	27
132.066	389 267 1018	00185	32	132.071	930 260 2289	00395	41	133.014	383 353 0120	00470	10
132.066	389 267 1018	00195	32	132.071	930 260 2289	00405	41	133.014	383 353 0120	00560	11
132.066	389 267 1018	00215	32	132.072	945 267 2117	00265	38	133.014	383 353 0120	00560	17
132.066	389 267 1018	00235	34	132.072	945 267 2117	00285	41	133.014	383 353 0120	00570	11
132.066	389 267 1018	00255	32	132.072	945 267 2117	00325	38	133.014	383 353 0120	00660	11
132.066	389 267 1018	00265	39	132.072	945 267 2117	00335	41	133.023	304 353 0020	00630	10
132.066	389 267 1018	00285	37	132.072	945 267 2117	00355	38	133.024	346 350 0228	00450	7
132.066	389 267 1018	00295	36	132.072	945 267 2117	00375	38	133.024	346 350 0228	00550	13
132.066	389 267 1018	00325	39	132.072	945 267 2117	00385	38	133.025	309 353 0020	00590	10
132.066	389 267 1018	00335	37	132.073	930 260 2389	00265	38	133.026	360 353 0020	00610	17
132.066	389 267 1018	00355	39	132.073	930 260 2389	00325	38	133.026	360 353 0020	00620	11
132.066	389 267 1018	00365	39	132.073	930 260 2389	00355	38	133.056	355 353 0620	00430	13
132.066	389 267 1018	00375	39	132.073	930 260 2389	00375	38	133.056	355 353 0620	00540	20
132.066	389 267 1018	00385	39	132.074	930 260 2489	00275	26	133.059	318 353 0020	00600	10
132.067	389 267 2819	00160	57	132.074	930 260 2489	00365	38	133.060	346 350 0128	00440	14
132.067	389 267 2819	00190	63	132.074	930 260 2489	00375	38	133.061	355 350 0128	00420	14
132.067	389 267 2819	00210	63	132.074	930 260 2489	00395	41	133.061	355 350 0128	00460	14
132.067	389 267 2819	00230	60	132.074	930 260 2489	00405	41	133.061	355 350 0128	00480	14
132.067	389 267 2819	00260	65	132.075	945 267 0619	00140	79	133.066	617 353 0120	00490	10
132.068	389 267 3319	00160	56	132.075	945 267 0619	00260	73	133.066	617 353 0120	00580	12
132.068	389 267 3319	00190	56	132.075	945 267 0619	00280	61	133.098	615 353 0120	00490	16
132.068	389 267 3319	00210	56	132.075	945 267 0619	00320	73	133.098	615 353 0120	00580	18
132.068	389 267 3319	00230	55	132.075	945 267 0619	00330	61	133.098	615 353 0120	00670	11
132.068	389 267 3319	00260	72	132.075	945 267 0619	00370	60	133.108	659 353 0020	00440	23
132.069	945 267 1319	00175	33	132.076	945 267 1219	00375	44	133.127	308 353 0020	00430	7
132.069	945 267 1319	00265	44	132.077	001 260 4963	00175	33	133.127	308 353 0020	00540	14
132.069	945 267 1319	00285	40	132.077	001 260 4963	00265	44	133.128	653 353 0020	00420	23
132.069	945 267 1319	00295	39	132.077	001 260 4963	00285	40	133.128	653 353 0020	00460	20
132.069	945 267 1319	00325	44	132.077	001 260 4963	00295	39	133.128	653 353 0020	00480	23
132.069	945 267 1319	00335	40	132.077	001 260 4963	00325	44	133.129	395 353 0320	00430	21
132.069	945 267 1319	00355	44	132.077	001 260 4963	00335	40	133.129	395 353 0320	00540	28
132.069	945 267 1319	00375	44	132.077	001 260 4963	00355	44	133.171	CEI 133171	00500	16
132.070	945 267 0819	00140	79	132.078	001 260 8463	00265	44	133.171	CEI 133171	00520	16
132.070	945 267 0819	00275	24	132.078	001 260 8463	00285	40	133.172	CEI 133172	00680	14
132.070	945 267 0819	00315	24	132.078	001 260 8463	00325	44	133.173	CEI 133173	00510	14
132.070	945 267 0819	00320	73	132.078	001 260 8463	00335	40	133.174	CEI 133174	00690	14
132.070	945 267 0819	00340	50	132.078	001 260 8463	00355	44	133.175	CEI 133175	00530	16
132.070	945 267 0819	00360	57	132.078	001 260 8463	00365	44	133.235	301 353 0020	00610	17
132.070	945 267 0819	00380	57	132.079	947 267 0718	00375	39	133.235	301 353 0020	00620	11
132.070	945 267 0819	00395	39	133.013	346 353 0420	00450	13	133.236	611 353 5020	00640	9
132.070	945 267 0819	00405	39	133.013	346 353 0420	00450	21	133.237	970 353 0121	00650	12

All original equipment manufacturers numbers, symbols, pictures, models and description used in this catalogue are for reference only, and it is not implied that any part listed is the product of these manufacturers.
Tutti i nostri particolari non sono originali ma con essi intercambiabili. I riferimenti originali, le figure, i modelli sono esposti a semplice titolo indicativo. La nostra produzione riporta il nostro marchio.

CEI Index

CEI no.	MB no.	Tab.	Fig.	CEI no.	MB no.	Tab.	Fig.	CEI no.	MB no.	Tab.	Fig.
135.116	CEI 135116	00720	9	135.139	389 261 0018	00090	1	137.174	016 981 0210	00160	4
135.116	CEI 135116	00730	9	135.140	387 261 2718	00040	1	137.175	013 981 2210	00160	48
135.130	389 261 4418	00160	1	135.141	387 261 2418	00040	1	137.176	014 981 3910	00160	20
135.131	389 261 3318	00160	1	135.141	387 261 2418	00070	1	137.177	018 981 6610	00160	22
135.131	389 261 3318	00160	1	135.141	387 261 2418	00080	1	137.177	018 981 6610	00180	14
135.131	389 261 3318	00180	1	135.142	387 261 2518	00040	1	137.177	018 981 6610	00190	26
135.131	389 261 3318	00190	1	135.143	387 261 2318	00050	1	137.177	018 981 6610	00210	26
135.131	389 261 3318	00210	1	135.144	389 261 4318	00060	1	137.177	018 981 6610	00230	25
135.131	389 261 3318	00230	1	135.145	387 261 2018	00040	1	137.177	018 981 6610	00250	14
135.131	389 261 3318	00250	1	135.145	387 261 2018	00070	1	137.177	018 981 6610	00260	32
135.132	945 261 2818	00350	4	135.145	387 261 2018	00080	1	137.177	018 981 6610	00280	25
135.132	945 261 2818	00370	2	135.196	387 261 2618	00070	1	137.177	018 981 6610	00320	32
135.133	945 261 1218	00350	4	135.197	947 261 0718	00170	1	137.177	018 981 6610	00330	25
135.133	945 261 1218	00370	2	135.198	947 261 0918	00170	1	137.177	018 981 6610	00350	32
135.134	945 261 1118	00260	2	135.199	387 261 0918	00030	1	137.177	018 981 6610	00360	23
135.134	945 261 1118	00280	1	135.200	976 261 0318	00140	1	137.177	018 981 6610	00360	25
135.134	945 261 1118	00290	1	135.202	656 261 0018	00200	1	137.177	018 981 6610	00370	24
135.134	945 261 1118	00320	1	135.202	656 261 0018	00220	1	137.177	018 981 6610	00380	23
135.134	945 261 1118	00330	1	135.202	656 261 0018	00240	1	137.177	018 981 6610	00380	25
135.134	945 261 1118	00350	2	135.202	656 261 0018	00300	1	137.178	013 981 2510	00160	31
135.134	945 261 1118	00360	1	135.202	656 261 0018	00340	1	137.179	014 981 4310	00160	31
135.134	945 261 1118	00370	1	135.203	389 261 3718	00200	1	137.180	013 981 1710	00160	37
135.134	945 261 1118	00380	1	135.203	389 261 3718	00230	2	137.181	012 981 8910	00180	46
135.134	945 261 1118	00390	1	135.204	389 261 6218	00200	1	137.181	012 981 8910	00190	52
135.134	945 261 1118	00400	1	135.204	389 261 6218	00220	1	137.181	012 981 8910	00210	52
135.135	389 261 4518	00260	1	135.204	389 261 6218	00240	1	137.181	012 981 8910	00230	51
135.135	389 261 4518	00350	1	135.204	389 261 6218	00300	1	137.181	012 981 8910	00250	46
135.137	387 261 2218	00030	1	135.205	389 261 6618	00200	1	137.181	012 981 8910	00260	59
135.137	387 261 2218	00040	1	135.205	389 261 6618	00220	1	137.181	012 981 8910	00280	50
135.137	387 261 2218	00040	1	135.205	389 261 6618	00240	1	137.181	012 981 8910	00290	42
135.137	387 261 2218	00040	1	135.205	389 261 6618	00300	1	137.181	012 981 8910	00320	59
135.137	387 261 2218	00050	1	135.206	947 261 2218	00310	1	137.181	012 981 8910	00330	50
135.137	387 261 2218	00070	1	135.211	346 350 7533A	00720	9	137.181	012 981 8910	00350	59
135.137	387 261 2218	00090	1	135.211	346 350 7533A	00730	9	137.181	012 981 8910	00360	47
135.137	387 261 2218	00090	1	135.212	346 350 9133A	00730	9	137.181	012 981 8910	00370	49
135.138	387 261 2918	00040	1	135.213	346 350 9233A	00720	9	137.181	012 981 8910	00380	47
135.138	387 261 2918	00070	1	135.214	346 350 1109A	00740	9	137.181	012 981 8910	00390	34
135.138	387 261 2918	00090	1	135.215	346 350 4309A	00740	9	137.181	012 981 8910	00400	34
135.138	387 261 2918	00090	1	135.220	389 261 4918	00230	2	137.182	008 981 8310	00030	14
135.139	389 261 0018	00040	1	135.221	947 261 0818	00270	1	137.182	008 981 8310	00040	14
135.139	389 261 0018	00040	1	135.222	945 261 2518	00290	1	137.182	008 981 8310	00050	13
135.139	389 261 0018	00070	1	135.223	930 261 0018	00380	3	137.182	008 981 8310	00090	24
135.139	389 261 0018	00090	1	137.173	013 981 6410	00160	4	137.182	008 981 8310	00170	24

Date

04/ 2011

Table

Index

CEI no.	MB no.	Tab.	Fig.	CEI no.	MB no.	Tab.	Fig.	CEI no.	MB no.	Tab.	Fig.
137.182	008 981 8310	00180	24	137.187	009 981 1510	00230	40	137.199	008 981 9710	00030	27
137.182	008 981 8310	00190	64	137.187	009 981 1510	00240	19	137.199	008 981 9710	00040	27
137.182	008 981 8310	00210	64	137.187	009 981 1510	00260	49	137.199	008 981 9710	00050	26
137.182	008 981 8310	00230	61	137.187	009 981 1510	00280	39	137.199	008 981 9710	00090	37
137.182	008 981 8310	00250	24	137.187	009 981 1510	00300	19	137.200	021 981 5710	00030	38
137.182	008 981 8310	00260	75	137.187	009 981 1510	00320	49	137.200	021 981 5710	00040	39
137.182	008 981 8310	00270	18	137.187	009 981 1510	00330	39	137.200	021 981 5710	00050	38
137.182	008 981 8310	00280	63	137.187	009 981 1510	00350	49	137.200	021 981 5710	00090	49
137.182	008 981 8310	00310	18	137.187	009 981 1510	00360	35	137.200	021 981 5710	00170	26
137.182	008 981 8310	00330	63	137.187	009 981 1510	00370	39	137.200	021 981 5710	00270	20
137.182	008 981 8310	00350	41	137.187	009 981 1510	00380	35	137.200	021 981 5710	00310	20
137.182	008 981 8310	00370	53	137.188	016 981 0010	00260	8	137.201	009 981 1810	00030	27
137.183	013 981 5310	00180	31	137.188	016 981 0010	00290	27	137.201	009 981 1810	00040	27
137.184	009 981 1410	00030	14	137.188	016 981 0010	00320	8	137.201	009 981 1810	00050	26
137.184	009 981 1410	00040	14	137.188	016 981 0010	00350	8	137.201	009 981 1810	00070	25
137.184	009 981 1410	00050	13	137.188	016 981 0010	00370	6	137.201	009 981 1810	00090	37
137.184	009 981 1410	00090	24	137.189	018 981 6410	00280	7	137.202	010 981 5110	00030	51
137.184	009 981 1410	00180	12	137.189	018 981 6410	00330	7	137.202	010 981 5110	00040	53
137.184	009 981 1410	00250	12	137.189	018 981 6410	00360	7	137.202	010 981 5110	00050	53
137.185	013 981 6510	00180	35	137.189	018 981 6410	00380	7	137.202	010 981 5110	00070	53
137.185	013 981 6510	00250	35	137.190	009 981 4510	00090	5	137.202	010 981 5110	00080	64
137.186	009 981 1610	00030	38	137.190	009 981 4510	00290	13	137.202	010 981 5110	00090	65
137.186	009 981 1610	00040	34	137.191	019 981 9210	00290	14	137.203	009 981 1710	00030	25
137.186	009 981 1610	00040	39	137.191	019 981 9210	00340	21	137.203	009 981 1710	00040	25
137.186	009 981 1610	00050	33	137.192	021 981 1710	00290	25	137.203	009 981 1710	00050	24
137.186	009 981 1610	00050	38	137.193	019 981 9010	00290	33	137.203	009 981 1710	00090	35
137.186	009 981 1610	00070	23	137.198	021 981 9410	00030	38	137.204	007 981 5510	00030	25
137.186	009 981 1610	00070	25	137.198	021 981 9410	00040	34	137.204	007 981 5510	00040	25
137.186	009 981 1610	00090	44	137.198	021 981 9410	00040	39	137.204	007 981 5510	00050	24
137.186	009 981 1610	00090	49	137.198	021 981 9410	00050	33	137.204	007 981 5510	00060	29
137.186	009 981 1610	00190	4	137.198	021 981 9410	00050	38	137.204	007 981 5510	00090	35
137.186	009 981 1610	00210	4	137.198	021 981 9410	00060	39	137.204	007 981 5510	00140	36
137.186	009 981 1610	00230	5	137.198	021 981 9410	00060	44	137.204	007 981 5510	00140	38
137.187	009 981 1510	00030	17	137.198	021 981 9410	00070	32	137.204	007 981 5510	00200	28
137.187	009 981 1510	00040	17	137.198	021 981 9410	00090	44	137.204	007 981 5510	00200	30
137.187	009 981 1510	00050	16	137.198	021 981 9410	00090	49	137.204	007 981 5510	00220	28
137.187	009 981 1510	00060	21	137.198	021 981 9410	00200	40	137.204	007 981 5510	00220	30
137.187	009 981 1510	00090	27	137.198	021 981 9410	00220	40	137.204	007 981 5510	00240	27
137.187	009 981 1510	00140	28	137.198	021 981 9410	00220	42	137.204	007 981 5510	00240	29
137.187	009 981 1510	00190	41	137.198	021 981 9410	00240	38	137.204	007 981 5510	00300	27
137.187	009 981 1510	00200	21	137.198	021 981 9410	00240	40	137.204	007 981 5510	00300	29
137.187	009 981 1510	00210	41	137.198	021 981 9410	00300	38	137.205	008 981 9910	00030	17
137.187	009 981 1510	00220	20	137.198	021 981 9410	00300	40	137.205	008 981 9910	00040	17

All original equipment manufacturers numbers, symbols, pictures, models and description used in this catalogue are for reference only, and it is not implied that any part listed is the product of these manufacturers.
Tutti i nostri particolari non sono originali ma con essi intercambiabili. I riferimenti originali, le figure, i modelli sono esposti a semplice titolo indicativo. La nostra produzione riporta il nostro marchio.

CEI Index

CEI no.	MB no.	Tab.	Fig.	CEI no.	MB no.	Tab.	Fig.	CEI no.	MB no.	Tab.	Fig.
137.205	008 981 9910	00050	16	137.226	009 981 3510	00070	16	137.344	018 981 5810	00110	26
137.205	008 981 9910	00090	27	137.251	018 981 8110	00140	50	137.344	018 981 5810	00120	26
137.206	002 981 1312	00030	5	137.251	018 981 8110	00260	75	137.344	018 981 5810	00120	28
137.206	002 981 1312	00040	5	137.251	018 981 8110	00280	63	137.344	018 981 5810	00130	28
137.206	002 981 1312	00050	5	137.251	018 981 8110	00330	63	137.344	018 981 5810	00130	30
137.206	002 981 1312	00090	16	137.251	018 981 8110	00350	41	137.344	018 981 5810	00150	27
137.207	010 981 5210	00030	51	137.251	018 981 8110	00360	29	137.344	018 981 5810	00150	29
137.207	010 981 5210	00040	53	137.251	018 981 8110	00370	53	137.345	017 981 5610	00110	14
137.207	010 981 5210	00050	53	137.251	018 981 8110	00380	29	137.345	017 981 5610	00120	14
137.207	010 981 5210	00090	65	137.285	976 981 0012	00110	5	137.345	017 981 5610	00130	15
137.208	009 981 0210	00040	17	137.285	976 981 0012	00120	4	137.345	017 981 5610	00150	15
137.209	010 981 1710	00040	39	137.285	976 981 0012	00130	4	137.346	018 981 9710	00110	12
137.209	010 981 1710	00080	49	137.285	976 981 0012	00150	4	137.346	018 981 9710	00120	12
137.210	009 981 0110	00040	34	137.322	327 981 0112	00010	16	137.347	023 981 2910	00110	40
137.210	009 981 0110	00070	41	137.323	001 981 4612	00010	24	137.347	023 981 2910	00120	41
137.210	009 981 0110	00080	68	137.323	001 981 4612	00020	26	137.347	023 981 2910	00130	46
137.211	010 981 1210	00040	25	137.324	022 981 4110	00100	26	137.347	023 981 2910	00150	43
137.211	010 981 1210	00040	27	137.325	001 981 4012	00010	28	137.348	018 981 5710	00110	54
137.211	010 981 1210	00070	32	137.326	001 981 4112	00010	36	137.348	018 981 5710	00120	54
137.211	010 981 1210	00070	41	137.330	001 981 9312	00010	4	137.348	018 981 5710	00130	58
137.211	010 981 1210	00080	25	137.330	001 981 9312	00020	6	137.348	018 981 5710	00150	54
137.211	010 981 1210	00080	38	137.331	001 981 9612	00020	6	137.350	018 981 3610	00130	13
137.212	007 981 2810	00040	14	137.332	001 981 2512	00020	18	137.350	018 981 3610	00150	13
137.213	011 981 7610	00060	17	137.332	001 981 2512	00020	20	137.351	018 981 0510	00140	4
137.214	009 981 3110	00070	36	137.333	001 981 3512	00020	18	137.352	018 981 7710	00140	25
137.215	010 981 9510	00070	13	137.334	001 981 3412	00020	29	137.353	019 981 4610	00140	66
137.216	010 981 9310	00070	23	137.334	001 981 3412	00020	45	137.354	021 981 6310	00170	31
137.217	000 981 6712	00010	13	137.335	001 981 4812	00020	33	137.355	021 981 6510	00170	15
137.217	000 981 6712	00020	20	137.335	001 981 4812	00020	42	137.356	019 981 6010	00170	14
137.217	000 981 6712	00070	16	137.336	022 981 4210	00100	14	137.356	019 981 6010	00200	17
137.219	010 981 9210	00070	36	137.337	003 981 2418	00100	12	137.356	019 981 6010	00220	17
137.220	009 981 3610	00070	13	137.338	022 981 4010	00100	28	137.356	019 981 6010	00240	16
137.221	019 981 1510	00080	36	137.339	021 981 3910	00100	41	137.356	019 981 6010	00300	16
137.221	019 981 1510	00140	47	137.340	022 981 7610	00100	41	137.357	021 981 5610	00170	40
137.222	010 981 4410	00080	28	137.341	000 980 4610	00100	41	137.357	021 981 5610	00270	34
137.223	010 981 4910	00080	16	137.342	022 981 4510	00010	49	137.357	021 981 5610	00310	34
137.224	010 981 1510	00080	4	137.342	022 981 4510	00020	65	137.358	022 981 8410	00340	23
137.225	015 981 4110	00060	58	137.342	022 981 4510	00100	55	137.359	022 981 8510	00340	28
137.225	015 981 4110	00200	57	137.343	018 981 5310	00100	39	137.359	022 981 8510	00340	30
137.225	015 981 4110	00220	58	137.343	018 981 5310	00110	56	137.360	022 981 2310	00270	24
137.225	015 981 4110	00240	55	137.343	018 981 5310	00120	39	137.360	022 981 2310	00310	24
137.225	015 981 4110	00300	55	137.343	018 981 5310	00130	42	137.361	022 981 5310	00390	38
137.225	015 981 4110	00340	42	137.343	018 981 5310	00150	38	137.361	022 981 5310	00400	38

Date

04 / 2011

Table

Index

CEI no.	MB no.	Tab.	Fig.	CEI no.	MB no.	Tab.	Fig.	CEI no.	MB no.	Tab.	Fig.
137.362	022 981 5610	00390	24	139.551	013 997 7247	00265	21	139.555	389 261 0865	00280	5
137.362	022 981 5610	00400	24	139.551	013 997 7247	00285	21	139.555	389 261 0865	00290	3
137.363	022 981 5810	00390	18	139.551	013 997 7247	00295	21	139.555	389 261 0865	00300	3
137.363	022 981 5810	00400	18	139.551	013 997 7247	00325	21	139.555	389 261 0865	00310	2
137.365	022 981 5910	00390	20	139.551	013 997 7247	00335	21	139.555	389 261 0865	00320	6
137.365	022 981 5910	00400	20	139.551	013 997 7247	00355	21	139.555	389 261 0865	00330	5
137.367	022 981 2010	00270	37	139.551	013 997 7247	00365	21	139.555	389 261 0865	00340	3
137.367	022 981 2010	00310	38	139.551	013 997 7247	00375	21	139.555	389 261 0865	00350	6
137.368	018 981 5610	00120	41	139.551	013 997 7247	00385	21	139.555	389 261 0865	00360	5
137.368	018 981 5610	00130	46	139.551	013 997 7247	00410	31	139.555	389 261 0865	00370	4
139.198	346 356 1415	00720	1	139.552	013 997 7347	00165	19	139.555	389 261 0865	00380	5
139.198	346 356 1415	00730	1	139.552	013 997 7347	00185	19	139.555	389 261 0865	00390	2
139.548	015 997 0347	00030	2	139.552	013 997 7347	00195	19	139.555	389 261 0865	00400	2
139.548	015 997 0347	00040	2	139.552	013 997 7347	00215	19	139.556	019 997 0547	00170	43
139.548	015 997 0347	00050	2	139.552	013 997 7347	00235	21	139.556	019 997 0547	00200	2
139.548	015 997 0347	00070	2	139.552	013 997 7347	00255	19	139.556	019 997 0547	00220	2
139.548	015 997 0347	00070	2	139.552	013 997 7347	00265	21	139.556	019 997 0547	00240	2
139.548	015 997 0347	00080	2	139.552	013 997 7347	00265	22	139.556	019 997 0547	00260	5
139.548	015 997 0347	00090	2	139.552	013 997 7347	00285	21	139.556	019 997 0547	00280	2
139.548	015 997 0347	00160	2	139.552	013 997 7347	00285	22	139.556	019 997 0547	00300	2
139.548	015 997 0347	00410	2	139.552	013 997 7347	00295	21	139.556	019 997 0547	00310	37
139.549	024 997 3047	00040	2	139.552	013 997 7347	00295	22	139.556	019 997 0547	00320	5
139.549	024 997 3047	00040	2	139.552	013 997 7347	00325	21	139.556	019 997 0547	00330	2
139.549	024 997 3047	00050	2	139.552	013 997 7347	00325	22	139.556	019 997 0547	00340	2
139.549	024 997 3047	00060	2	139.552	013 997 7347	00335	21	139.556	019 997 0547	00350	5
139.549	024 997 3047	00070	2	139.552	013 997 7347	00335	22	139.556	019 997 0547	00360	2
139.549	024 997 3047	00090	2	139.552	013 997 7347	00355	21	139.556	019 997 0547	00370	3
139.549	024 997 3047	00140	2	139.552	013 997 7347	00355	22	139.556	019 997 0547	00380	2
139.549	024 997 3047	00160	2	139.552	013 997 7347	00365	22	139.556	019 997 0547	00390	37
139.549	024 997 3047	00180	2	139.552	013 997 7347	00375	21	139.556	019 997 0547	00400	37
139.549	024 997 3047	00190	2	139.552	013 997 7347	00375	22	139.556	019 997 0547	00410	57
139.549	024 997 3047	00210	2	139.552	013 997 7347	00385	22	139.557	015 997 6447	00265	21
139.549	024 997 3047	00230	3	139.552	013 997 7347	00410	32	139.557	015 997 6447	00285	21
139.549	024 997 3047	00250	2	139.554	018 997 7147	00190	10	139.557	015 997 6447	00295	21
139.549	024 997 3047	00290	2	139.554	018 997 7147	00210	10	139.557	015 997 6447	00325	21
139.549	024 997 3047	00410	2	139.554	018 997 7147	00230	11	139.557	015 997 6447	00335	21
139.550	018 997 8447	00160	10	139.554	018 997 7147	00410	61	139.557	015 997 6447	00355	21
139.551	013 997 7247	00165	18	139.555	389 261 0865	00060	3	139.557	015 997 6447	00365	21
139.551	013 997 7247	00185	18	139.555	389 261 0865	00200	3	139.557	015 997 6447	00375	21
139.551	013 997 7247	00195	18	139.555	389 261 0865	00220	3	139.557	015 997 6447	00385	21
139.551	013 997 7247	00215	18	139.555	389 261 0865	00240	3	139.558	017 997 1247	00265	22
139.551	013 997 7247	00235	20	139.555	389 261 0865	00260	6	139.558	017 997 1247	00285	22
139.551	013 997 7247	00255	18	139.555	389 261 0865	00270	2	139.558	017 997 1247	00295	22

All original equipment manufacturers numbers, symbols, pictures, models and description used in this catalogue are for reference only, and it is implied that any part listed is the product of these manufactures.
Tutti i nostri particolari non sono originali ma con essi intercambiabili. I riferimenti originali, le figure, i modelli sono esposti a semplice titolo indicativo. La nostra produzione riporta il nostro marchio.

CEI Index

CEI no.	MB no.	Tab.	Fig.	CEI no.	MB no.	Tab.	Fig.	CEI no.	MB no.	Tab.	Fig.
139.558	017 997 1247	00325	22	139.580	355 353 0552	00430	36	139.749	976 269 0034	00140	10
139.558	017 997 1247	00335	22	139.580	355 353 0552	00540	38	139.749	976 269 0034	00170	5
139.558	017 997 1247	00355	22	139.581	355 353 0652	00430	36	139.749	976 269 0034	00200	6
139.558	017 997 1247	00365	22	139.581	355 353 0652	00540	38	139.749	976 269 0034	00220	6
139.558	017 997 1247	00375	22	139.584	020 997 0647	00540	4	139.749	976 269 0034	00340	11
139.558	017 997 1247	00385	22	139.584	020 997 0647	00680	3	139.749	976 269 0034	00410	62
139.563	023 997 8547	00030	41	139.585	017 997 2847	00440	4	139.813	006 997 6447	00140	76
139.563	023 997 8547	00040	43	139.586	017 997 2947	00440	5	139.813	006 997 6447	00160	53
139.563	023 997 8547	00050	42	139.587	017 997 3147	00440	35	139.813	006 997 6447	00190	59
139.563	023 997 8547	00060	47	139.587	017 997 3147	00500	34	139.813	006 997 6447	00210	59
139.563	023 997 8547	00070	43	139.587	017 997 3147	00520	29	139.813	006 997 6447	00230	58
139.563	023 997 8547	00080	53	139.588	017 997 3047	00440	36	139.813	006 997 6447	00260	69
139.563	023 997 8547	00090	52	139.588	017 997 3047	00500	35	139.813	006 997 6447	00275	23
139.563	023 997 8547	00140	55	139.588	017 997 3047	00520	30	139.813	006 997 6447	00280	58
139.563	023 997 8547	00200	48	139.589	015 997 4747	00550	4	139.813	006 997 6447	00315	23
139.563	023 997 8547	00220	49	139.589	015 997 4747	00690	3	139.813	006 997 6447	00320	69
139.563	023 997 8547	00240	46	139.592	028 997 2248	00410	2	139.813	006 997 6447	00330	58
139.563	023 997 8547	00300	46	139.593	015 997 2848	00410	30	139.813	006 997 6447	00340	49
139.563	023 997 8547	00420	4	139.595	945 261 0080	00410	63	139.813	006 997 6447	00360	54
139.563	023 997 8547	00460	4	139.596	007 997 4248	00160	59	139.813	006 997 6447	00370	57
139.563	023 997 8547	00480	4	139.596	007 997 4248	00190	61	139.813	006 997 6447	00380	54
139.564	020 997 9947	00030	40	139.596	007 997 4248	00210	61	139.813	006 997 6447	00395	38
139.564	020 997 9947	00040	42	139.596	007 997 4248	00260	67	139.813	006 997 6447	00405	38
139.564	020 997 9947	00050	41	139.596	007 997 4248	00410	46	139.813	006 997 6447	00410	41
139.564	020 997 9947	00060	46	139.597	020 997 8948	00165	34	139.813	006 997 6447	00410	47
139.564	020 997 9947	00070	42	139.597	020 997 8948	00175	32	139.814	014 997 5148	00395	21
139.564	020 997 9947	00080	52	139.597	020 997 8948	00185	34	139.814	014 997 5148	00405	21
139.564	020 997 9947	00090	51	139.597	020 997 8948	00195	34	139.814	014 997 5148	00410	33
139.564	020 997 9947	00200	47	139.597	020 997 8948	00215	34	139.817	024 997 8347	00165	33
139.564	020 997 9947	00220	48	139.597	020 997 8948	00235	36	139.817	024 997 8347	00175	31
139.564	020 997 9947	00240	45	139.597	020 997 8948	00255	34	139.817	024 997 8347	00185	33
139.564	020 997 9947	00300	45	139.597	020 997 8948	00265	41	139.817	024 997 8347	00195	33
139.564	020 997 9947	00420	5	139.597	020 997 8948	00285	39	139.817	024 997 8347	00215	33
139.564	020 997 9947	00460	5	139.597	020 997 8948	00295	38	139.817	024 997 8347	00235	35
139.564	020 997 9947	00480	5	139.597	020 997 8948	00325	41	139.817	024 997 8347	00255	33
139.577	017 997 2747	00420	35	139.597	020 997 8948	00335	39	139.817	024 997 8347	00265	40
139.577	017 997 2747	00460	30	139.597	020 997 8948	00355	41	139.817	024 997 8347	00275	27
139.577	017 997 2747	00480	33	139.597	020 997 8948	00375	41	139.817	024 997 8347	00285	38
139.578	017 997 2647	00420	36	139.597	020 997 8948	00410	51	139.817	024 997 8347	00295	37
139.578	017 997 2647	00460	31	139.597	020 997 8948	00410	56	139.817	024 997 8347	00315	27
139.578	017 997 2647	00480	34	139.599	389 268 1280	00410	64	139.817	024 997 8347	00325	40
139.579	355 353 0152	00430	36	139.748	389 269 8534	00410	62	139.817	024 997 8347	00335	38
139.579	355 353 0152	00540	38	139.749	976 269 0034	00060	69	139.817	024 997 8347	00355	40

Date

04 / 2011

Table

Index

CEI no.	MB no.	Tab.	Fig.	CEI no.	MB no.	Tab.	Fig.	CEI no.	MB no.	Tab.	Fig.
139.817	024 997 8347	00365	40	139.834	000 267 0197	00330	60	139.858	016 997 6648	00340	51
139.817	024 997 8347	00375	40	139.834	000 267 0197	00335	34	139.858	016 997 6648	00370	61
139.817	024 997 8347	00385	40	139.834	000 267 0197	00355	35	139.858	016 997 6648	00410	44
139.817	024 997 8347	00395	42	139.834	000 267 0197	00360	56	139.859	017 997 6545	00265	41
139.817	024 997 8347	00405	42	139.834	000 267 0197	00365	35	139.859	017 997 6545	00285	39
139.817	024 997 8347	00410	55	139.834	000 267 0197	00370	59	139.859	017 997 6545	00325	41
139.817	024 997 8347	00410	59	139.834	000 267 0197	00375	35	139.859	017 997 6545	00355	41
139.818	387 263 3352	00160	58	139.834	000 267 0197	00380	56	139.859	017 997 6545	00365	41
139.818	387 263 3352	00190	62	139.834	000 267 0197	00385	35	139.859	017 997 6545	00375	41
139.818	387 263 3352	00210	62	139.834	000 267 0197	00410	43	139.859	017 997 6545	00385	41
139.818	387 263 3352	00260	66	139.834	000 267 0197	00410	49	139.880	011 997 7447	00600	3
139.818	387 263 3352	00410	45	139.834	000 267 0197	00410	53	139.881	012 997 3047	00590	3
139.819	387 263 3552	00160	58	139.849	016 997 3047	00100	46	139.882	014 997 1246	00500	3
139.819	387 263 3552	00190	62	139.850	021 997 2547	00110	1	139.882	014 997 1246	00520	3
139.819	387 263 3552	00210	62	139.850	021 997 2547	00120	1	139.883	016 997 6647	00580	4
139.819	387 263 3552	00260	66	139.850	021 997 2547	00130	1	139.883	016 997 6647	00610	3
139.819	387 263 3552	00410	45	139.850	021 997 2547	00150	1	139.884	016 997 6747	00580	3
139.820	387 263 3752	00160	58	139.851	024 997 3247	00110	42	139.885	016 997 6847	00570	3
139.820	387 263 3752	00190	62	139.851	024 997 3247	00120	43	139.885	016 997 6847	00620	3
139.820	387 263 3752	00210	62	139.851	024 997 3247	00130	48	139.886	018 997 1847	00670	3
139.820	387 263 3752	00260	66	139.851	024 997 3247	00150	57	139.887	019 997 6047	00650	4
139.820	387 263 3752	00410	45	139.852	007 997 9647	00030	2	139.887	019 997 6047	00660	3
139.821	389 261 1180	00410	60	139.852	007 997 9647	00040	2	139.888	021 997 8547	00700	4
139.822	389 261 1280	00410	63	139.852	007 997 9647	00050	2	139.888	021 997 8547	00710	3
139.834	000 267 0197	00140	78	139.852	007 997 9647	00070	2	139.889	023 997 5847	00640	4
139.834	000 267 0197	00160	55	139.852	007 997 9647	00140	54	139.890	355 353 0391	00420	3
139.834	000 267 0197	00165	30	139.857	022 997 4248	00260	74	139.890	355 353 0391	00460	3
139.834	000 267 0197	00175	28	139.857	022 997 4248	00275	25	139.890	355 353 0391	00480	3
139.834	000 267 0197	00185	30	139.857	022 997 4248	00280	62	139.891	942 353 0159	00500	3
139.834	000 267 0197	00190	57	139.857	022 997 4248	00315	25	139.891	942 353 0159	00500	28
139.834	000 267 0197	00195	30	139.857	022 997 4248	00320	74	139.891	942 353 0159	00520	3
139.834	000 267 0197	00210	57	139.857	022 997 4248	00330	62	139.893	944 353 0328	00680	11
139.834	000 267 0197	00215	30	139.857	022 997 4248	00340	51	139.894	346 353 0090	00440	3
139.834	000 267 0197	00230	56	139.857	022 997 4248	00360	58	139.897	355 353 1052	00540	38
139.834	000 267 0197	00235	32	139.857	022 997 4248	00370	61	139.898	355 353 1252	00540	38
139.834	000 267 0197	00255	30	139.857	022 997 4248	00380	58	139.899	355 353 1352	00540	38
139.834	000 267 0197	00260	71	139.857	022 997 4248	00395	40	139.900	355 353 1452	00540	38
139.834	000 267 0197	00265	35	139.857	022 997 4248	00405	40	139.901	016 981 6847	00560	3
139.834	000 267 0197	00280	60	139.857	022 997 4248	00410	44	139.902	015 997 4048	00410	30
139.834	000 267 0197	00285	34	139.858	016 997 6648	00260	74	139.903	020 997 7848	00410	2
139.834	000 267 0197	00295	34	139.858	016 997 6648	00280	62	139.905	389 261 1480	00410	63
139.834	000 267 0197	00320	71	139.858	016 997 6648	00320	74	139.906	945 261 0280	00410	63
139.834	000 267 0197	00325	35	139.858	016 997 6648	00330	62	141.144	355 353 0234	00420	42

All original equipment manufacturers numbers, symbols, pictures, models and description used in this catalogue are for reference only, and it is not implied that any part listed is the product of these manufacturers. Tutti i nostri particolari non sono originali ma con essi intercambiabili. I riferimenti originali, le figure, i modelli sono esposti a semplice titolo indicativo. La nostra produzione riporta il nostro marchio.

CEI Index

CEI no.	MB no.	Tab.	Fig.	CEI no.	MB no.	Tab.	Fig.	CEI no.	MB no.	Tab.	Fig.
141.144	355 353 0234	00440	42	141.161	389 265 2349	00090	45	141.165	947 265 0349	00175	19
141.160	945 265 0149	00030	36	141.161	389 265 2349	00090	68	141.165	947 265 0349	00200	15
141.160	945 265 0149	00040	41	141.161	389 265 2349	00160	19	141.165	947 265 0349	00200	26
141.160	945 265 0149	00050	40	141.161	389 265 2349	00160	30	141.165	947 265 0349	00200	38
141.160	945 265 0149	00060	67	141.161	389 265 2349	00180	22	141.165	947 265 0349	00220	15
141.160	945 265 0149	00070	57	141.161	389 265 2349	00180	39	141.165	947 265 0349	00220	27
141.160	945 265 0149	00080	51	141.161	389 265 2349	00190	25	141.165	947 265 0349	00220	39
141.160	945 265 0149	00090	69	141.161	389 265 2349	00190	35	141.165	947 265 0349	00240	15
141.160	945 265 0149	00140	81	141.161	389 265 2349	00210	25	141.165	947 265 0349	00240	26
141.160	945 265 0149	00160	34	141.161	389 265 2349	00210	35	141.165	947 265 0349	00240	37
141.160	945 265 0149	00180	34	141.161	389 265 2349	00230	24	141.165	947 265 0349	00260	14
141.160	945 265 0149	00190	39	141.161	389 265 2349	00230	34	141.165	947 265 0349	00260	43
141.160	945 265 0149	00200	45	141.161	389 265 2349	00250	22	141.165	947 265 0349	00260	64
141.160	945 265 0149	00210	39	141.161	389 265 2349	00250	39	141.165	947 265 0349	00265	33
141.160	945 265 0149	00220	46	141.162	389 265 2449	00080	67	141.165	947 265 0349	00275	21
141.160	945 265 0149	00230	38	141.162	389 265 2449	00090	12	141.165	947 265 0349	00280	14
141.160	945 265 0149	00250	34	141.162	389 265 2449	00160	12	141.165	947 265 0349	00280	24
141.160	945 265 0149	00260	47	141.162	389 265 2449	00165	29	141.165	947 265 0349	00280	34
141.160	945 265 0149	00280	43	141.162	389 265 2449	00175	19	141.165	947 265 0349	00280	34
141.160	945 265 0149	00290	32	141.162	389 265 2449	00185	29	141.165	947 265 0349	00285	33
141.160	945 265 0149	00320	47	141.162	389 265 2449	00190	12	141.165	947 265 0349	00290	15
141.160	945 265 0149	00330	43	141.162	389 265 2449	00195	29	141.165	947 265 0349	00290	24
141.160	945 265 0149	00340	54	141.162	389 265 2449	00210	12	141.165	947 265 0349	00295	33
141.160	945 265 0149	00350	47	141.162	389 265 2449	00215	29	141.165	947 265 0349	00300	15
141.160	945 265 0149	00360	40	141.162	389 265 2449	00230	13	141.165	947 265 0349	00300	26
141.160	945 265 0149	00370	37	141.162	389 265 2449	00235	31	141.165	947 265 0349	00300	37
141.160	945 265 0149	00380	40	141.162	389 265 2449	00255	29	141.165	947 265 0349	00315	21
141.161	389 265 2349	00030	12	141.162	389 265 2449	00265	33	141.165	947 265 0349	00320	14
141.161	389 265 2349	00030	24	141.162	389 265 2449	00285	33	141.165	947 265 0349	00320	43
141.161	389 265 2349	00030	33	141.162	389 265 2449	00295	33	141.165	947 265 0349	00320	64
141.161	389 265 2349	00040	13	141.162	389 265 2449	00325	33	141.165	947 265 0349	00325	33
141.161	389 265 2349	00040	24	141.162	389 265 2449	00335	33	141.165	947 265 0349	00330	14
141.161	389 265 2349	00040	35	141.162	389 265 2449	00355	33	141.165	947 265 0349	00330	24
141.161	389 265 2349	00050	23	141.162	389 265 2449	00365	33	141.165	947 265 0349	00330	34
141.161	389 265 2349	00050	34	141.162	389 265 2449	00375	33	141.165	947 265 0349	00335	33
141.161	389 265 2349	00050	45	141.162	389 265 2449	00385	33	141.165	947 265 0349	00340	52
141.161	389 265 2349	00070	33	141.165	947 265 0349	00060	16	141.165	947 265 0349	00350	14
141.161	389 265 2349	00070	35	141.165	947 265 0349	00060	28	141.165	947 265 0349	00350	43
141.161	389 265 2349	00070	56	141.165	947 265 0349	00060	40	141.165	947 265 0349	00350	64
141.161	389 265 2349	00080	24	141.165	947 265 0349	00140	74	141.165	947 265 0349	00355	33
141.161	389 265 2349	00080	35	141.165	947 265 0349	00140	80	141.165	947 265 0349	00360	14
141.161	389 265 2349	00080	45	141.165	947 265 0349	00170	13	141.165	947 265 0349	00365	33
141.161	389 265 2349	00090	34	141.165	947 265 0349	00170	23	141.165	947 265 0349	00370	12

Date

04 / 2011

Table

Index

CEI no.	MB no.	Tab.	Fig.	CEI no.	MB no.	Tab.	Fig.	CEI no.	MB no.	Tab.	Fig.
141.165	947 265 0349	00370	23	141.220	M389 265 2349	00090	34	141.221	M947 265 0349	00300	15
141.165	947 265 0349	00370	33	141.220	M389 265 2349	00090	45	141.221	M947 265 0349	00300	26
141.165	947 265 0349	00375	33	141.220	M389 265 2349	00090	68	141.221	M947 265 0349	00300	37
141.165	947 265 0349	00380	14	141.220	M389 265 2349	00160	19	141.221	M947 265 0349	00315	21
141.165	947 265 0349	00385	33	141.220	M389 265 2349	00160	30	141.221	M947 265 0349	00320	14
141.165	947 265 0349	00395	33	141.220	M389 265 2349	00180	22	141.221	M947 265 0349	00320	43
141.165	947 265 0349	00405	33	141.220	M389 265 2349	00180	39	141.221	M947 265 0349	00320	64
141.219	M389 265 2449	00090	12	141.220	M389 265 2349	00190	25	141.221	M947 265 0349	00325	33
141.219	M389 265 2449	00160	12	141.220	M389 265 2349	00190	35	141.221	M947 265 0349	00330	14
141.219	M389 265 2449	00165	29	141.220	M389 265 2349	00210	25	141.221	M947 265 0349	00330	24
141.219	M389 265 2449	00175	19	141.220	M389 265 2349	00210	35	141.221	M947 265 0349	00330	34
141.219	M389 265 2449	00185	29	141.220	M389 265 2349	00230	24	141.221	M947 265 0349	00335	33
141.219	M389 265 2449	00190	12	141.220	M389 265 2349	00230	34	141.221	M947 265 0349	00340	52
141.219	M389 265 2449	00195	29	141.220	M389 265 2349	00250	22	141.221	M947 265 0349	00350	14
141.219	M389 265 2449	00210	12	141.220	M389 265 2349	00250	39	141.221	M947 265 0349	00350	43
141.219	M389 265 2449	00215	29	141.221	M947 265 0349	00060	16	141.221	M947 265 0349	00350	64
141.219	M389 265 2449	00230	13	141.221	M947 265 0349	00060	28	141.221	M947 265 0349	00355	33
141.219	M389 265 2449	00235	31	141.221	M947 265 0349	00060	40	141.221	M947 265 0349	00360	14
141.219	M389 265 2449	00255	29	141.221	M947 265 0349	00140	74	141.221	M947 265 0349	00365	33
141.219	M389 265 2449	00265	33	141.221	M947 265 0349	00140	80	141.221	M947 265 0349	00370	12
141.219	M389 265 2449	00285	33	141.221	M947 265 0349	00170	13	141.221	M947 265 0349	00370	23
141.219	M389 265 2449	00295	33	141.221	M947 265 0349	00170	23	141.221	M947 265 0349	00370	33
141.219	M389 265 2449	00325	33	141.221	M947 265 0349	00175	19	141.221	M947 265 0349	00375	33
141.219	M389 265 2449	00335	33	141.221	M947 265 0349	00200	15	141.221	M947 265 0349	00380	14
141.219	M389 265 2449	00355	33	141.221	M947 265 0349	00200	26	141.221	M947 265 0349	00385	33
141.219	M389 265 2449	00365	33	141.221	M947 265 0349	00200	38	141.221	M947 265 0349	00395	33
141.219	M389 265 2449	00375	33	141.221	M947 265 0349	00220	15	141.221	M947 265 0349	00405	33
141.219	M389 265 2449	00385	33	141.221	M947 265 0349	00220	27	141.225	947 265 0849	00100	56
141.220	M389 265 2349	00030	12	141.221	M947 265 0349	00220	39	141.225	947 265 0849	00120	46
141.220	M389 265 2349	00030	24	141.221	M947 265 0349	00240	15	141.225	947 265 0849	00150	56
141.220	M389 265 2349	00030	33	141.221	M947 265 0349	00240	26	141.226	947 265 0449	00340	53
141.220	M389 265 2349	00040	13	141.221	M947 265 0349	00240	37	141.226	947 265 0449	00360	39
141.220	M389 265 2349	00040	24	141.221	M947 265 0349	00260	14	141.226	947 265 0449	00380	39
141.220	M389 265 2349	00040	35	141.221	M947 265 0349	00260	43	141.228	M947 265 0449	00340	53
141.220	M389 265 2349	00050	23	141.221	M947 265 0349	00260	64	141.228	M947 265 0449	00360	39
141.220	M389 265 2349	00050	34	141.221	M947 265 0349	00265	33	141.228	M947 265 0449	00380	39
141.220	M389 265 2349	00050	45	141.221	M947 265 0349	00275	21	141.229	385 353 0034	00460	36
141.220	M389 265 2349	00070	33	141.221	M947 265 0349	00280	14	141.229	385 353 0034	00480	39
141.220	M389 265 2349	00070	35	141.221	M947 265 0349	00280	24	141.230	327 350 1588	00610	11
141.220	M389 265 2349	00070	56	141.221	M947 265 0349	00285	33	141.231	942 353 0134	00500	25
141.220	M389 265 2349	00080	24	141.221	M947 265 0349	00290	15	141.231	942 353 0134	00520	25
141.220	M389 265 2349	00080	35	141.221	M947 265 0349	00290	24	143.078	307 263 0513	00010	46
141.220	M389 265 2349	00080	45	141.221	M947 265 0349	00295	33	143.082	302 263 0313	00010	46

All original equipment manufacturers numbers, symbols, pictures, models and description used in this catalogue are for reference only, and it is not implied that any part listed is the product of these manufacturers.
Tutti i nostri particolari non sono originali ma con essi intercambiabili. I riferimenti originali, le figure, i modelli sono esposti a semplice titolo indicativo. La nostra produzione riporta il nostro marchio.

CEI Index

CEI no.	MB no.	Tab.	Fig.	CEI no.	MB no.	Tab.	Fig.	CEI no.	MB no.	Tab.	Fig.
143.085	385 263 0110	00020	54	143.138	656 263 0013	00300	51	145.584	945 262 4110	00260	9
143.086	385 263 0113	00020	55	143.141	385 263 0810	00020	60	145.584	945 262 4110	00320	9
143.088	387 263 0713	00040	49	143.142	972 263 1113	00100	50	145.584	945 262 4110	00350	9
143.088	387 263 0713	00080	60	143.143	972 263 1116	00100	49	145.585	389 262 8610	00260	18
143.089	387 263 1113	00050	49	143.144	970 263 1013	00150	50	145.586	945 262 0510	00260	18
143.098	389 263 2113	00060	53	143.145	656 263 0410	00340	38	145.586	945 262 0510	00280	17
143.098	389 263 2113	00140	61	143.146	947 263 1613	00360	43	145.586	945 262 0510	00320	18
143.099	389 263 1013	00190	47	143.147	945 263 5713	00380	43	145.586	945 262 0510	00330	17
143.099	389 263 1013	00210	47	143.150	387 263 0614	00070	49	145.587	389 262 3810	00350	19
143.100	389 263 1413	00190	47	145.316	385 262 0011	00020	25	145.588	389 262 7910	00350	19
143.100	389 263 1413	00210	47	145.379	355 350 0124	00420	11	145.588	389 262 7910	00370	15
143.100	389 263 1413	00230	46	145.417	385 262 0111	00020	28	145.589	389 262 1813	00260	29
143.101	389 263 1913	00260	55	145.418	385 263 0133	00020	32	145.590	389 260 5719	00350	29
143.102	945 263 1013	00260	55	145.419	385 263 0533	00020	32	145.591	945 262 3513	00260	30
143.102	945 263 1013	00280	46	145.428	387 262 0411	00040	33	145.591	945 262 3513	00280	23
143.102	945 263 1013	00320	55	145.428	387 262 0411	00080	44	145.591	945 262 3513	00320	30
143.102	945 263 1013	00330	46	145.429	387 262 0412	00040	28	145.591	945 262 3513	00330	23
143.103	389 263 1813	00350	55	145.429	387 262 0412	00080	39	145.592	389 262 3713	00350	30
143.104	945 263 3213	00350	55	145.430	387 262 2515	00050	12	145.592	389 262 3713	00370	22
143.104	945 263 3213	00370	45	145.558	389 262 7710	00190	5	145.593	389 262 1210	00160	5
143.105	389 263 1513	00160	43	145.558	389 262 7710	00210	5	145.594	389 262 1410	00160	5
143.106	389 263 1113	00180	41	145.558	389 262 7710	00230	6	145.595	389 262 1633	00160	35
143.106	389 263 1113	00250	41	145.565	387 262 0710	00080	15	145.596	389 262 1112	00160	23
143.107	389 263 0313	00190	47	145.567	389 262 0215	00060	15	145.597	389 262 1411	00160	29
143.107	389 263 0313	00210	47	145.568	387 262 4014	00050	15	145.598	389 262 5410	00160	15
143.108	945 263 1813	00290	38	145.569	389 262 0914	00060	20	145.599	389 262 0713	00160	18
143.109	387 263 1313	00030	47	145.569	389 262 0914	00140	29	145.600	945 262 2711	00290	23
143.109	387 263 1313	00040	49	145.569	389 262 0914	00200	20	145.601	389 262 1711	00180	23
143.109	387 263 1313	00090	62	145.569	389 262 0914	00220	19	145.601	389 262 1711	00250	23
143.110	387 263 0613	00030	47	145.569	389 262 0914	00240	18	145.602	389 262 1412	00180	15
143.110	387 263 0613	00040	49	145.569	389 262 0914	00300	18	145.602	389 262 1412	00250	15
143.110	387 263 0613	00090	62	145.579	389 262 2210	00190	5	145.603	389 262 1013	00180	11
143.111	387 263 1213	00040	49	145.579	389 262 2210	00210	5	145.603	389 262 1013	00250	11
143.111	387 263 1213	00050	49	145.580	389 262 3710	00190	15	145.604	945 262 5912	00290	16
143.112	387 263 0914	00070	49	145.580	389 262 3710	00210	15	145.605	389 262 0211	00180	33
143.113	387 263 0514	00070	49	145.581	389 262 5510	00190	15	145.606	389 262 1611	00190	34
143.131	947 263 0413	00170	36	145.581	389 262 5510	00210	15	145.606	389 262 1611	00210	34
143.137	970 263 0713	00110	50	145.582	389 262 5610	00190	15	145.606	389 262 1611	00230	33
143.137	970 263 0713	00120	50	145.582	389 262 5610	00210	15	145.607	389 262 2810	00190	5
143.137	970 263 0713	00130	54	145.582	389 262 5610	00230	16	145.607	389 262 2810	00210	5
143.138	656 263 0013	00200	53	145.583	389 262 2113	00190	23	145.608	389 262 2910	00190	5
143.138	656 263 0013	00220	54	145.583	389 262 2113	00210	23	145.608	389 262 2910	00210	5
143.138	656 263 0013	00240	51	145.583	389 262 2113	00230	23	145.609	389 262 0411	00190	34

Date

04 / 2011

Table

Index

CEI no.	MB no.	Tab.	Fig.	CEI no.	MB no.	Tab.	Fig.	CEI no.	MB no.	Tab.	Fig.
145.609	389 262 0411	00210	34	145.629	387 262 5313	00040	23	145.648	387 262 2611	00040	33
145.610	389 262 1312	00190	28	145.629	387 262 5313	00090	33	145.648	387 262 2611	00090	43
145.610	389 262 1312	00210	28	145.630	387 262 0813	00030	23	145.649	387 262 0115	00040	12
145.610	389 262 1312	00230	27	145.630	387 262 0813	00040	23	145.650	387 262 4913	00040	23
145.611	389 262 0312	00190	28	145.630	387 262 0813	00090	33	145.650	387 262 4913	00050	22
145.611	389 262 0312	00210	28	145.631	387 262 4413	00030	23	145.651	387 262 2712	00040	28
145.612	389 262 0313	00190	22	145.631	387 262 4413	00040	23	145.651	387 262 2712	00050	27
145.612	389 262 0313	00210	22	145.631	387 262 4413	00090	33	145.652	387 262 3912	00040	28
145.613	389 262 1110	00190	15	145.632	387 262 1813	00030	23	145.652	387 262 3912	00050	27
145.613	389 262 1110	00210	15	145.632	387 262 1813	00040	23	145.653	387 262 2011	00040	33
145.614	389 260 4919	00260	34	145.632	387 262 1813	00090	33	145.653	387 262 2011	00050	32
145.614	389 260 4919	00350	34	145.633	387 262 3814	00030	16	145.654	387 262 2911	00040	33
145.615	945 262 3112	00260	35	145.633	387 262 3814	00040	16	145.654	387 262 2911	00050	32
145.615	945 262 3112	00280	27	145.633	387 262 3814	00090	26	145.657	387 262 2511	00040	33
145.615	945 262 3112	00320	35	145.634	387 262 2315	00030	13	145.657	387 262 2511	00090	43
145.615	945 262 3112	00330	27	145.634	387 262 2315	00040	12	145.658	387 262 3713	00050	22
145.615	945 262 3112	00350	35	145.634	387 262 2315	00090	23	145.659	387 262 4813	00050	22
145.615	945 262 3112	00370	26	145.635	387 262 3412	00030	28	145.660	387 262 2612	00050	27
145.616	389 262 2711	00260	42	145.635	387 262 3412	00040	28	145.661	387 262 3812	00050	27
145.616	389 262 2711	00280	33	145.635	387 262 3412	00090	38	145.662	387 262 1911	00050	32
145.616	389 262 2711	00320	42	145.636	387 262 0812	00030	28	145.663	387 262 2811	00050	32
145.616	389 262 2711	00330	33	145.636	387 262 0812	00040	28	145.665	389 262 3312	00060	31
145.616	389 262 2711	00350	42	145.636	387 262 0812	00090	38	145.666	389 262 4013	00060	27
145.616	389 262 2711	00370	32	145.637	387 262 2015	00030	13	145.667	387 262 0416	00070	12
145.617	389 262 1733	00260	46	145.637	387 262 2015	00040	12	145.668	387 262 1912	00070	31
145.617	389 262 1733	00350	46	145.637	387 262 2015	00090	23	145.669	387 262 2615	00070	15
145.618	945 262 4410	00280	8	145.638	387 262 0211	00040	33	145.670	387 262 2814	00070	22
145.618	945 262 4410	00330	8	145.638	387 262 0211	00090	43	145.671	387 262 0316	00070	12
145.619	945 262 4710	00370	7	145.639	387 262 3011	00040	33	145.672	387 262 4414	00070	22
145.620	945 262 1617	00290	12	145.639	387 262 3011	00080	44	145.673	387 262 5013	00070	26
145.622	945 262 0511	00290	28	145.640	387 262 3312	00040	28	145.674	387 262 3113	00070	26
145.623	945 262 2310	00280	17	145.640	387 262 3312	00080	39	145.675	387 262 4012	00070	31
145.623	945 262 2310	00330	17	145.641	387 262 1613	00040	23	145.676	387 262 2912	00070	31
145.626	387 262 3212	00030	28	145.642	387 262 4313	00040	23	145.677	387 262 1811	00070	34
145.626	387 262 3212	00040	28	145.643	387 262 3414	00040	16	145.678	387 262 2211	00070	34
145.626	387 262 3212	00090	38	145.644	387 262 3714	00040	16	145.679	387 262 1815	00070	15
145.627	387 262 0212	00030	28	145.644	387 262 3714	00050	15	145.680	387 262 2514	00070	22
145.627	387 262 0212	00040	28	145.645	387 262 2215	00040	12	145.681	387 262 4214	00070	22
145.627	387 262 0212	00090	38	145.645	387 262 2215	00050	12	145.682	387 262 2412	00070	31
145.628	387 262 3514	00030	16	145.646	387 262 3813	00040	23	145.683	387 262 3712	00070	31
145.628	387 262 3514	00040	16	145.646	387 262 3813	00050	22	145.684	387 262 3613	00070	26
145.628	387 262 3514	00090	26	145.647	387 262 0911	00040	33	145.685	387 262 5113	00070	26
145.629	387 262 5313	00030	23	145.647	387 262 0911	00090	43	145.686	387 262 1511	00070	34

All original equipment manufacturers numbers, symbols, pictures, models and description used in this catalogue are for reference only, and it is not implied that any part listed is the product of these manufacturers.
Tutti i nostri particolari non sono originali ma con essi intercambiabili. I riferimenti originali, le figure, i modelli sono esposti a semplice titolo indicativo. La nostra produzione riporta il nostro marchio.

CEI Index

CEI no.	MB no.	Tab.	Fig.	CEI no.	MB no.	Tab.	Fig.	CEI no.	MB no.	Tab.	Fig.
145.687	387 262 2713	00080	34	145.964	947 263 0111	00170	37	146.500	389 263 0510	00160	42
145.688	387 262 4613	00080	34	145.965	976 263 0216	00130	53	146.501	389 263 0610	00160	42
145.689	387 262 0515	00080	23	145.966	976 263 1210	00130	52	146.502	389 263 0410	00190	46
145.690	387 262 0110	00080	3	145.968	389 262 0816	00240	14	146.502	389 263 0410	00210	46
145.691	387 262 4114	00080	27	145.968	389 262 0816	00300	14	146.503	389 263 0910	00190	46
145.692	387 262 0010	00090	4	145.970	945 262 5617	00350	19	146.503	389 263 0910	00210	46
145.693	387 262 4514	00090	26	145.970	945 262 5617	00370	15	146.504	945 263 1110	00280	45
145.694	389 262 1911	00060	38	145.971	945 262 7517	00260	9	146.504	945 263 1110	00330	45
145.699	355 350 0324	00420	11	145.971	945 262 7517	00320	9	146.505	945 263 0510	00370	44
145.711	355 350 1415	00420	22	145.971	945 262 7517	00350	9	146.509	387 263 0015	00030	46
145.712	355 350 0624	00420	22	145.972	389 262 4313	00200	27	146.509	387 263 0015	00040	48
145.812	976 262 0210	00140	5	145.972	389 262 4313	00220	26	146.509	387 263 0015	00090	61
145.813	976 262 1113	00060	27	145.972	389 262 4313	00240	25	146.510	387 263 1810	00030	45
145.813	976 262 1113	00140	35	145.972	389 262 4313	00300	25	146.510	387 263 1810	00040	47
145.814	976 262 1510	00140	16	145.973	945 262 6417	00200	27	146.510	387 263 1810	00090	60
145.815	976 262 1612	00140	39	145.973	945 262 6417	00220	26	146.511	387 263 0215	00030	46
145.815	976 262 1612	00200	31	145.973	945 262 6417	00240	25	146.511	387 263 0215	00040	48
145.815	976 262 1612	00220	31	145.973	945 262 6417	00300	25	146.511	387 263 0215	00090	61
145.815	976 262 1612	00240	30	145.974	389 263 1910	00240	49	146.512	387 263 1510	00030	45
145.815	976 262 1612	00300	30	145.974	389 263 1910	00300	49	146.512	387 263 1510	00040	47
145.816	976 262 1515	00140	24	145.975	389 263 0116	00240	50	146.512	387 263 1510	00090	60
145.865	346 350 1324	00440	22	145.975	389 263 0116	00300	50	146.513	387 263 0110	00040	47
145.902	947 262 0613	00170	12	146.300	307 263 0614	00010	45	146.513	387 263 0110	00080	58
145.912	976 262 1211	00140	45	146.312	346 353 0085	00450	3	146.514	387 263 2510	00040	47
145.938	970 260 1944	00120	11	146.313	355 353 0085	00430	3	146.514	387 263 2510	00050	47
145.939	970 260 2344	00120	15	146.324	302 263 0314	00010	45	146.515	387 263 0815	00040	48
145.940	970 262 1213	00110	23	146.325	302 263 0410	00010	44	146.515	387 263 0815	00050	48
145.940	970 262 1213	00120	22	146.326	383 263 0010	00010	44	146.516	387 263 0416	00070	48
145.940	970 262 1213	00130	27	146.338	387 263 0115	00040	48	146.517	387 263 2710	00070	47
145.940	970 262 1213	00150	26	146.338	387 263 0115	00080	59	146.518	387 263 0316	00070	48
145.942	970 260 2544	00120	29	146.339	387 263 1410	00080	57	146.519	387 263 1210	00070	47
145.943	970 260 0344	00120	35	146.340	387 263 2410	00050	47	146.520	387 263 2010	00090	56
145.944	970 262 0533	00110	41	146.477	389 263 1210	00190	46	146.530	355 353 0285	00430	3
145.944	970 262 0533	00120	42	146.477	389 263 1210	00210	46	146.578	976 263 0615	00140	60
145.944	970 262 0533	00130	47	146.478	389 263 1110	00190	46	146.579	976 263 1510	00140	58
145.944	970 262 0533	00150	44	146.478	389 263 1110	00210	46	146.580	976 263 0710	00140	59
145.945	947 262 0612	00170	16	146.478	389 263 1110	00230	45	146.636	970 263 0610	00110	48
145.946	947 262 1911	00170	22	146.493	389 263 1310	00060	51	146.636	970 263 0610	00120	48
145.947	947 262 1811	00170	27	146.494	387 263 0715	00050	48	146.637	970 263 0615	00110	49
145.950	942 353 0285	00520	13	146.495	389 263 0115	00060	52	146.637	970 263 0615	00120	49
145.951	944 353 0285	00500	13	146.499	945 263 0810	00260	54	146.646	942 353 0315	00530	2
145.952	944 353 0185	00500	13	146.499	945 263 0810	00320	54	146.647	944 353 0385	00510	2
145.953	942 353 0185	00520	13	146.499	945 263 0810	00350	54	146.648	944 353 0085	00510	2

Date

04 / 2011

Table

Index

CEI no.	MB no.	Tab.	Fig.	CEI no.	MB no.	Tab.	Fig.	CEI no.	MB no.	Tab.	Fig.
146.669	976 262 0816	00130	10	147.158	389 263 1531	00230	50	147.173	387 262 0033	00030	39
146.684	307 263 0110	00010	44	147.159	389 262 0333	00190	38	147.173	387 262 0033	00040	40
146.690	930 262 1717	00400	4	147.159	389 262 0333	00210	38	147.173	387 262 0033	00090	50
146.691	930 262 3617	00390	13	147.159	389 262 0333	00230	37	147.174	387 263 1631	00040	54
146.691	930 262 3617	00400	13	147.160	389 262 1033	00190	38	147.174	387 263 1631	00050	54
146.692	307 260 4244	00010	14	147.160	389 262 1033	00210	38	147.175	387 262 0533	00040	40
146.693	947 262 5210	00270	4	147.160	389 262 1033	00230	37	147.175	387 262 0533	00080	50
146.694	947 262 0117	00270	13	147.161	945 262 3233	00260	46	147.176	387 262 1233	00050	39
146.694	947 262 0117	00310	13	147.161	945 262 3233	00280	37	147.177	387 262 1633	00050	39
146.695	947 263 0312	00270	30	147.161	945 262 3233	00320	46	147.178	387 262 0833	00050	39
146.695	947 263 0312	00310	30	147.161	945 262 3233	00330	37	147.179	387 262 1133	00050	39
146.696	947 263 2910	00270	29	147.161	945 262 3233	00350	46	147.180	387 263 1531	00050	54
146.697	389 263 0915	00200	52	147.161	945 262 3233	00370	36	147.181	389 262 1333	00060	45
146.697	389 263 0915	00220	53	147.162	389 263 1031	00260	58	147.182	387 263 1031	00070	54
146.698	389 263 2910	00200	51	147.162	389 263 1031	00280	49	147.183	389 263 0931	00060	57
146.698	389 263 2910	00220	52	147.162	389 263 1031	00320	58	147.184	387 262 1733	00070	40
146.707	444 263 0016	00150	49	147.162	389 263 1031	00330	49	147.185	387 262 1433	00070	40
146.709	444 263 0010	00150	48	147.162	389 263 1031	00350	58	147.186	387 262 0733	00070	40
146.711	656 262 0310	00340	5	147.162	389 263 1031	00360	46	147.187	387 263 1431	00070	54
146.712	656 263 0610	00340	37	147.162	389 263 1031	00370	48	147.188	387 263 1831	00070	54
146.713	930 262 0217	00360	8	147.162	389 263 1031	00380	46	147.189	387 262 0433	00070	40
146.714	930 263 2510	00360	42	147.163	945 262 3333	00260	46	147.244	976 262 1333	00140	51
146.715	945 262 5917	00370	7	147.163	945 262 3333	00280	37	147.245	945 262 4433	00260	46
146.716	930 262 3217	00380	8	147.163	945 262 3333	00320	46	147.245	945 262 4433	00280	37
146.717	930 262 0717	00390	4	147.163	945 262 3333	00330	37	147.245	945 262 4433	00320	46
146.718	930 263 2610	00380	42	147.163	945 262 3333	00350	46	147.245	945 262 4433	00330	37
146.719	947 263 2110	00310	29	147.163	945 262 3333	00360	33	147.245	945 262 4433	00350	46
146.722	930 263 1910	00400	29	147.163	945 262 3333	00370	36	147.245	945 262 4433	00360	33
146.723	930 263 0112	00400	30	147.163	945 262 3333	00380	33	147.245	945 262 4433	00370	36
146.726	385 353 0385	00470	2	147.165	945 262 3533	00290	31	147.245	945 262 4433	00380	33
146.726	385 353 0385	00490	2	147.166	945 263 0231	00290	41	147.248	947 262 0633	00170	30
146.729	387 263 1310	00070	47	147.169	387 263 1231	00030	52	147.256	930 262 0033	00390	25
147.087	354 353 0085	00610	15	147.169	387 263 1231	00040	54	147.256	930 262 0033	00400	25
147.114	383 263 0031	00010	50	147.169	387 263 1231	00090	66	147.257	930 262 0133	00390	25
147.118	387 263 1131	00040	54	147.170	387 262 1033	00030	39	147.257	930 262 0133	00400	25
147.118	387 263 1131	00080	65	147.170	387 262 1033	00040	40	147.258	947 263 1431	00270	33
147.154	389 263 1431	00160	47	147.170	387 262 1033	00090	50	147.258	947 263 1431	00310	33
147.155	389 263 1631	00180	45	147.171	387 263 0631	00030	52	147.259	947 262 1933	00270	25
147.155	389 263 1631	00250	45	147.171	387 263 0631	00040	54	147.259	947 262 1933	00310	25
147.156	389 262 0533	00180	27	147.171	387 263 0631	00090	66	147.264	383 262 0033	00010	35
147.157	389 262 1833	00250	30	147.172	387 262 0233	00030	39	147.265	385 263 0333	00020	46
147.158	389 263 1531	00190	51	147.172	387 262 0233	00040	40	147.266	385 263 1131	00020	66
147.158	389 263 1531	00210	51	147.172	387 262 0233	00090	50	147.267	385 263 0831	00020	66

All original equipment manufacturers numbers, symbols, pictures, models and description used in this catalogue are for reference only, and it is not implied that any part listed is the product of these manufacturers.
Tutti i nostri particolari non sono originali ma con essi intercambiabili. I riferimenti originali, le figure, i modelli sono esposti a semplice titolo indicativo. La nostra produzione riporta il nostro marchio.

CEI Index

CEI no.	MB no.	Tab.	Fig.	CEI no.	MB no.	Tab.	Fig.	CEI no.	MB no.	Tab.	Fig.
147.268	385 263 0731	00020	66	150.144	389 262 1425	00375	12	154.215	387 262 1523	00030	10
147.269	974 262 0133	00100	42	150.144	389 262 1425	00385	12	154.215	387 262 1523	00030	22
147.270	971 262 0733	00100	42	150.144	389 262 1425	00395	12	154.215	387 262 1523	00040	10
147.271	972 263 0831	00100	54	150.144	389 262 1425	00405	12	154.215	387 262 1523	00040	22
147.272	976 263 0031	00140	65	150.148	355 354 0709	00720	4	154.215	387 262 1523	00050	10
147.273	970 263 0331	00110	53	150.149	355 354 1909	00720	4	154.215	387 262 1523	00050	21
147.273	970 263 0331	00120	53	150.150	355 354 2509	00720	4	154.215	387 262 1523	00070	10
147.273	970 263 0331	00130	57	150.151	355 354 2409	00720	4	154.215	387 262 1523	00070	21
147.273	970 263 0331	00150	53	150.153	346 354 4309	00730	4	154.215	387 262 1523	00080	8
147.274	947 263 0731	00170	39	150.154	346 354 4209	00730	4	154.215	387 262 1523	00080	21
147.276	656 262 0133	00340	31	150.226	346 354 2809	00740	4	154.215	387 262 1523	00080	33
147.277	656 263 0131	00340	43	150.227	346 354 5009	00740	4	154.215	387 262 1523	00090	10
147.278	389 263 0131	00160	47	150.228	346 354 5109	00740	4	154.215	387 262 1523	00090	21
147.279	389 263 0331	00190	51	150.229	346 354 2309	00740	4	154.215	387 262 1523	00090	32
147.279	389 263 0331	00210	51	150.230	346 354 5709	00730	4	154.215	387 262 1523	00190	8
147.279	389 263 0331	00230	50	150.231	346 354 5809	00730	4	154.215	387 262 1523	00190	21
147.280	389 263 0531	00180	45	150.232	346 354 2409	00740	4	154.215	387 262 1523	00210	8
147.280	389 263 0531	00250	45	150.233	346 354 7309	00740	4	154.215	387 262 1523	00210	21
147.281	389 263 1831	00200	58	150.234	346 354 7409	00740	4	154.216	387 262 0623	00030	32
147.282	389 263 1931	00200	58	150.235	346 354 9509	00740	4	154.216	387 262 0623	00040	32
147.282	389 263 1931	00220	59	150.238	355 354 2809	00720	4	154.216	387 262 0623	00050	31
147.282	389 263 1931	00240	56	150.239	355 354 2709	00720	4	154.216	387 262 0623	00070	30
147.282	389 263 1931	00300	56	154.146	346 353 0836	00440	9	154.216	387 262 0623	00080	43
147.283	930 263 0031	00390	33	154.156	383 262 0023	00010	30	154.216	387 262 0623	00090	42
147.283	930 263 0031	00400	33	154.159	385 262 1523	00020	31	154.216	387 262 0623	00160	28
147.287	387 262 0933	00040	40	154.160	355 353 0736	00420	9	154.216	387 262 0623	00190	33
147.288	387 262 1533	00040	40	154.213	389 262 2923	00160	28	154.216	387 262 0623	00210	33
149.267	338 353 0132	00610	14	154.213	389 262 2923	00180	20	154.217	945 262 6623	00165	14
150.043	346 354 1109	00730	4	154.213	389 262 2923	00190	21	154.217	945 262 6623	00175	14
150.095	346 354 0909	00730	4	154.213	389 262 2923	00190	33	154.217	945 262 6623	00185	14
150.096	346 354 1009	00720	4	154.213	389 262 2923	00210	21	154.217	945 262 6623	00195	14
150.125	355 354 1809	00720	4	154.213	389 262 2923	00210	33	154.217	945 262 6623	00215	14
150.126	346 354 2709	00740	4	154.213	389 262 2923	00230	22	154.217	945 262 6623	00235	16
150.129	346 354 3009	00730	4	154.213	389 262 2923	00230	32	154.217	945 262 6623	00255	14
150.130	346 354 3109	00730	4	154.213	389 262 2923	00250	20	154.217	945 262 6623	00265	17
150.143	389 262 0525	00235	11	154.214	389 262 3023	00160	8	154.217	945 262 6623	00285	17
150.144	389 262 1425	00265	12	154.214	389 262 3023	00180	10	154.217	945 262 6623	00295	17
150.144	389 262 1425	00285	12	154.214	389 262 3023	00190	8	154.217	945 262 6623	00325	17
150.144	389 262 1425	00295	12	154.214	389 262 3023	00190	21	154.217	945 262 6623	00335	17
150.144	389 262 1425	00325	12	154.214	389 262 3023	00210	8	154.217	945 262 6623	00355	17
150.144	389 262 1425	00335	12	154.214	389 262 3023	00210	21	154.217	945 262 6623	00365	17
150.144	389 262 1425	00355	12	154.214	389 262 3023	00230	9	154.217	945 262 6623	00375	17
150.144	389 262 1425	00365	12	154.214	389 262 3023	00250	10	154.217	945 262 6623	00385	17

Date

04 / 2011

Table

Index

CEI no.	MB no.	Tab.	Fig.	CEI no.	MB no.	Tab.	Fig.	CEI no.	MB no.	Tab.	Fig.
154.220	945 262 0423	00060	36	154.223	389 262 1823	00190	37	154.301	387 262 1323	00030	32
154.220	945 262 0423	00140	44	154.223	389 262 1823	00200	43	154.301	387 262 1323	00040	32
154.220	945 262 0423	00260	28	154.223	389 262 1823	00210	37	154.301	387 262 1323	00050	31
154.220	945 262 0423	00260	40	154.223	389 262 1823	00220	44	154.301	387 262 1323	00070	30
154.220	945 262 0423	00280	22	154.223	389 262 1823	00230	36	154.301	387 262 1323	00080	43
154.220	945 262 0423	00280	32	154.223	389 262 1823	00240	42	154.301	387 262 1323	00090	42
154.220	945 262 0423	00290	21	154.223	389 262 1823	00250	28	154.302	387 262 1423	00030	22
154.220	945 262 0423	00320	28	154.223	389 262 1823	00260	45	154.302	387 262 1423	00040	22
154.220	945 262 0423	00320	40	154.223	389 262 1823	00280	36	154.302	387 262 1423	00050	21
154.220	945 262 0423	00330	22	154.223	389 262 1823	00300	42	154.302	387 262 1423	00070	21
154.220	945 262 0423	00330	32	154.223	389 262 1823	00320	45	154.302	387 262 1423	00080	33
154.220	945 262 0423	00350	28	154.223	389 262 1823	00330	36	154.302	387 262 1423	00090	32
154.220	945 262 0423	00350	40	154.223	389 262 1823	00340	32	154.303	389 262 2023	00060	13
154.220	945 262 0423	00370	21	154.223	389 262 1823	00350	45	154.303	389 262 2023	00060	26
154.220	945 262 0423	00370	31	154.223	389 262 1823	00360	32	154.303	389 262 2023	00200	25
154.221	945 262 0323	00060	13	154.223	389 262 1823	00370	35	154.303	389 262 2023	00220	25
154.221	945 262 0323	00060	26	154.223	389 262 1823	00380	32	154.303	389 262 2023	00240	24
154.221	945 262 0323	00140	8	154.224	389 262 1723	00060	41	154.303	389 262 2023	00300	24
154.221	945 262 0323	00140	21	154.224	389 262 1723	00140	49	154.304	389 262 2123	00060	36
154.221	945 262 0323	00140	34	154.224	389 262 1723	00160	33	154.304	389 262 2123	00200	36
154.221	945 262 0323	00170	11	154.224	389 262 1723	00190	37	154.304	389 262 2123	00220	36
154.221	945 262 0323	00170	21	154.224	389 262 1723	00200	43	154.304	389 262 2123	00240	34
154.221	945 262 0323	00200	13	154.224	389 262 1723	00210	37	154.304	389 262 2123	00300	34
154.221	945 262 0323	00220	13	154.224	389 262 1723	00220	44	154.305	387 262 0323	00070	38
154.221	945 262 0323	00240	12	154.224	389 262 1723	00230	36	154.319	355 353 1236	00420	21
154.221	945 262 0323	00260	12	154.224	389 262 1723	00240	42	154.319	355 353 1236	00460	9
154.221	945 262 0323	00260	28	154.224	389 262 1723	00260	45	154.319	355 353 1236	00480	9
154.221	945 262 0323	00280	12	154.224	389 262 1723	00280	36	154.320	346 353 1136	00440	21
154.221	945 262 0323	00290	11	154.224	389 262 1723	00300	42	154.378	945 262 6923	00175	14
154.221	945 262 0323	00300	12	154.224	389 262 1723	00320	45	154.378	945 262 6923	00265	17
154.221	945 262 0323	00320	12	154.224	389 262 1723	00330	36	154.378	945 262 6923	00275	9
154.221	945 262 0323	00330	12	154.224	389 262 1723	00350	45	154.378	945 262 6923	00285	17
154.221	945 262 0323	00350	12	154.224	389 262 1723	00370	35	154.378	945 262 6923	00295	17
154.221	945 262 0323	00350	28	154.225	389 262 0223	00180	26	154.378	945 262 6923	00315	9
154.221	945 262 0323	00370	10	154.226	945 262 2035	00290	30	154.378	945 262 6923	00325	17
154.222	389 262 1523	00165	14	154.228	945 262 2023	00170	29	154.378	945 262 6923	00335	17
154.222	389 262 1523	00185	14	154.228	945 262 2023	00290	29	154.378	945 262 6923	00355	17
154.222	389 262 1523	00195	14	154.229	387 262 0023	00030	34	154.378	945 262 6923	00365	17
154.222	389 262 1523	00215	14	154.229	387 262 0023	00040	36	154.378	945 262 6923	00375	17
154.222	389 262 1523	00255	14	154.229	387 262 0023	00050	35	154.378	945 262 6923	00385	17
154.223	389 262 1823	00025	14	154.229	387 262 0023	00050	35	154.378	945 262 6923	00395	17
154.223	389 262 1823	00060	41	154.229	387 262 0023	00080	46	154.378	945 262 6923	00405	17
154.223	389 262 1823	00160	33	154.229	387 262 0023	00090	46	154.379	970 262 2923	00110	8

All original equipment manufacturers numbers, symbols, pictures, models and description used in this catalogue are for reference only, and it is not implied that any part listed is the product of these manufacturers. Tutti i nostri particolari non sono originali ma con essi intercambiabili. I riferimenti originali, le figure, i modelli sono esposti a semplice titolo indicativo. La nostra produzione riporta il nostro marchio.

CEI Index

CEI no.	MB no.	Tab.	Fig.	CEI no.	MB no.	Tab.	Fig.	CEI no.	MB no.	Tab.	Fig.
154.379	970 262 2923	00120	7	154.399	945 262 6823	00310	11	154.409	M945 262 0423	00060	36
154.379	970 262 2923	00130	7	154.399	945 262 6823	00320	12	154.409	M945 262 0423	00140	44
154.379	970 262 2923	00150	7	154.399	945 262 6823	00330	12	154.409	M945 262 0423	00260	28
154.380	970 262 3423	00110	21	154.399	945 262 6823	00350	12	154.409	M945 262 0423	00260	40
154.380	970 262 3423	00120	20	154.399	945 262 6823	00370	10	154.409	M945 262 0423	00280	22
154.380	970 262 3423	00130	22	154.405	M389 262 2923	00160	28	154.409	M945 262 0423	00280	32
154.380	970 262 3423	00150	22	154.405	M389 262 2923	00180	20	154.409	M945 262 0423	00290	21
154.381	970 262 3323	00110	34	154.405	M389 262 2923	00190	21	154.409	M945 262 0423	00320	28
154.381	970 262 3323	00120	34	154.405	M389 262 2923	00190	33	154.409	M945 262 0423	00320	40
154.381	970 262 3323	00130	37	154.405	M389 262 2923	00210	21	154.409	M945 262 0423	00330	22
154.381	970 262 3323	00150	36	154.405	M389 262 2923	00210	33	154.409	M945 262 0423	00330	32
154.385	381 262 0023	00010	7	154.405	M389 262 2923	00230	22	154.409	M945 262 0423	00350	28
154.385	381 262 0023	00010	19	154.405	M389 262 2923	00230	32	154.409	M945 262 0423	00350	40
154.385	381 262 0023	00020	11	154.406	942 353 0236	00500	10	154.409	M945 262 0423	00370	21
154.385	381 262 0023	00020	23	154.406	942 353 0236	00520	10	154.409	M945 262 0423	00370	31
154.388	945 262 6523	00260	28	154.407	M389 262 3023	00160	8	154.417	945 262 5723	00200	25
154.388	945 262 6523	00260	40	154.407	M389 262 3023	00180	10	154.417	945 262 5723	00220	25
154.388	945 262 6523	00280	22	154.407	M389 262 3023	00190	8	154.417	945 262 5723	00240	24
154.388	945 262 6523	00280	32	154.407	M389 262 3023	00190	21	154.417	945 262 5723	00300	24
154.388	945 262 6523	00290	21	154.407	M389 262 3023	00210	8	154.418	945 262 5623	00200	36
154.388	945 262 6523	00320	28	154.407	M389 262 3023	00210	21	154.418	945 262 5623	00220	36
154.388	945 262 6523	00320	40	154.407	M389 262 3023	00230	9	154.418	945 262 5623	00240	34
154.388	945 262 6523	00330	22	154.407	M389 262 3023	00250	10	154.418	945 262 5623	00300	34
154.388	945 262 6523	00330	32	154.408	M945 262 0323	00060	13	154.430	M387 262 1523	00030	10
154.388	945 262 6523	00340	9	154.408	M945 262 0323	00060	26	154.430	M387 262 1523	00030	22
154.388	945 262 6523	00350	28	154.408	M945 262 0323	00140	8	154.430	M387 262 1523	00040	10
154.388	945 262 6523	00350	40	154.408	M945 262 0323	00140	21	154.430	M387 262 1523	00040	22
154.388	945 262 6523	00360	12	154.408	M945 262 0323	00140	34	154.430	M387 262 1523	00050	10
154.388	945 262 6523	00370	21	154.408	M945 262 0323	00170	11	154.430	M387 262 1523	00050	21
154.388	945 262 6523	00370	31	154.408	M945 262 0323	00170	21	154.430	M387 262 1523	00070	10
154.388	945 262 6523	00380	12	154.408	M945 262 0323	00200	13	154.430	M387 262 1523	00070	21
154.388	945 262 6523	00390	11	154.408	M945 262 0323	00220	13	154.430	M387 262 1523	00080	8
154.388	945 262 6523	00400	11	154.408	M945 262 0323	00240	12	154.430	M387 262 1523	00080	21
154.399	945 262 6823	00170	11	154.408	M945 262 0323	00260	12	154.430	M387 262 1523	00080	33
154.399	945 262 6823	00170	21	154.408	M945 262 0323	00260	28	154.430	M387 262 1523	00090	10
154.399	945 262 6823	00200	13	154.408	M945 262 0323	00280	12	154.430	M387 262 1523	00090	21
154.399	945 262 6823	00220	13	154.408	M945 262 0323	00290	11	154.430	M387 262 1523	00090	32
154.399	945 262 6823	00240	12	154.408	M945 262 0323	00300	12	154.430	M387 262 1523	00190	8
154.399	945 262 6823	00260	12	154.408	M945 262 0323	00320	12	154.430	M387 262 1523	00190	21
154.399	945 262 6823	00270	11	154.408	M945 262 0323	00330	12	154.430	M387 262 1523	00210	8
154.399	945 262 6823	00280	12	154.408	M945 262 0323	00350	12	154.430	M387 262 1523	00210	21
154.399	945 262 6823	00290	11	154.408	M945 262 0323	00350	28	154.431	M387 262 0623	00030	32
154.399	945 262 6823	00300	12	154.408	M945 262 0323	00370	10	154.431	M387 262 0623	00040	32

Date

04 / 2011

Table

Index

CEI no.	MB no.	Tab.	Fig.	CEI no.	MB no.	Tab.	Fig.	CEI no.	MB no.	Tab.	Fig.
154.431	M387 262 0623	00050	31	154.441	M387 262 1323	00070	30	154.458	M945 262 6923	00175	14
154.431	M387 262 0623	00070	30	154.441	M387 262 1323	00080	43	154.458	M945 262 6923	00265	17
154.431	M387 262 0623	00080	43	154.441	M387 262 1323	00090	42	154.458	M945 262 6923	00275	9
154.431	M387 262 0623	00090	42	154.442	M387 262 1423	00030	22	154.458	M945 262 6923	00285	17
154.431	M387 262 0623	00160	28	154.442	M387 262 1423	00040	22	154.458	M945 262 6923	00295	17
154.431	M387 262 0623	00190	33	154.442	M387 262 1423	00050	21	154.458	M945 262 6923	00315	9
154.431	M387 262 0623	00210	33	154.442	M387 262 1423	00070	21	154.458	M945 262 6923	00325	17
154.432	M389 262 1523	00165	14	154.442	M387 262 1423	00080	33	154.458	M945 262 6923	00335	17
154.432	M389 262 1523	00185	14	154.442	M387 262 1423	00090	32	154.458	M945 262 6923	00355	17
154.432	M389 262 1523	00195	14	154.443	M389 262 2023	00060	13	154.458	M945 262 6923	00365	17
154.432	M389 262 1523	00215	14	154.443	M389 262 2023	00060	26	154.458	M945 262 6923	00375	17
154.432	M389 262 1523	00255	14	154.443	M389 262 2023	00200	25	154.458	M945 262 6923	00385	17
154.433	M945 262 6623	00165	14	154.443	M389 262 2023	00220	25	154.458	M945 262 6923	00395	17
154.433	M945 262 6623	00175	14	154.443	M389 262 2023	00240	24	154.458	M945 262 6923	00405	17
154.433	M945 262 6623	00185	14	154.443	M389 262 2023	00300	24	154.459	M945 262 5623	00200	36
154.433	M945 262 6623	00195	14	154.444	M389 262 2123	00060	36	154.459	M945 262 5623	00220	36
154.433	M945 262 6623	00215	14	154.444	M389 262 2123	00200	36	154.459	M945 262 5623	00240	34
154.433	M945 262 6623	00235	16	154.444	M389 262 2123	00220	36	154.459	M945 262 5623	00300	34
154.433	M945 262 6623	00255	14	154.444	M389 262 2123	00240	34	154.460	M945 262 6523	00260	28
154.433	M945 262 6623	00265	17	154.444	M389 262 2123	00300	34	154.460	M945 262 6523	00260	40
154.433	M945 262 6623	00285	17	154.447	385 262 0623	00020	44	154.460	M945 262 6523	00280	22
154.433	M945 262 6623	00295	17	154.449	971 262 1023	00100	21	154.460	M945 262 6523	00280	32
154.433	M945 262 6623	00325	17	154.450	971 262 1323	00100	6	154.460	M945 262 6523	00290	21
154.433	M945 262 6623	00335	17	154.451	974 262 0823	00100	35	154.460	M945 262 6523	00320	28
154.433	M945 262 6623	00355	17	154.452	974 262 0023	00100	44	154.460	M945 262 6523	00320	40
154.433	M945 262 6623	00365	17	154.453	971 262 1723	00100	44	154.460	M945 262 6523	00330	22
154.433	M945 262 6623	00375	17	154.454	971 262 1623	00100	44	154.460	M945 262 6523	00330	32
154.433	M945 262 6623	00385	17	154.455	387 262 0923	00050	35	154.460	M945 262 6523	00340	9
154.438	930 262 0123	00360	21	154.457	M945 262 6823	00170	11	154.460	M945 262 6523	00350	28
154.438	930 262 0123	00360	28	154.457	M945 262 6823	00170	21	154.460	M945 262 6523	00350	40
154.438	930 262 0123	00380	21	154.457	M945 262 6823	00200	13	154.460	M945 262 6523	00360	12
154.438	930 262 0123	00380	28	154.457	M945 262 6823	00220	13	154.460	M945 262 6523	00370	21
154.438	930 262 0123	00390	16	154.457	M945 262 6823	00240	12	154.460	M945 262 6523	00370	31
154.438	930 262 0123	00390	23	154.457	M945 262 6823	00260	12	154.460	M945 262 6523	00380	12
154.438	930 262 0123	00400	16	154.457	M945 262 6823	00270	11	154.460	M945 262 6523	00390	11
154.438	930 262 0123	00400	23	154.457	M945 262 6823	00280	12	154.460	M945 262 6523	00400	11
154.439	947 262 1123	00270	16	154.457	M945 262 6823	00290	11	154.461	656 262 0023	00340	19
154.439	947 262 1123	00270	23	154.457	M945 262 6823	00300	12	154.461	656 262 0023	00340	26
154.439	947 262 1123	00310	16	154.457	M945 262 6823	00310	11	154.462	M945 262 5723	00200	25
154.439	947 262 1123	00310	23	154.457	M945 262 6823	00320	12	154.462	M945 262 5723	00220	25
154.441	M387 262 1323	00030	32	154.457	M945 262 6823	00330	12	154.462	M945 262 5723	00240	24
154.441	M387 262 1323	00040	32	154.457	M945 262 6823	00350	12	154.462	M945 262 5723	00300	24
154.441	M387 262 1323	00050	31	154.457	M945 262 6823	00370	10	155.058	320 357 0053	00630	35

All original equipment manufacturers numbers, symbols, pictures, models and description used in this catalogue are for reference only, and it is not implied that any part listed is the product of these manufacturers. Tutti i nostri particolari non sono originali ma con essi intercambiabili. I riferimenti originali, le figure, i modelli sono esposti a semplice titolo indicativo. La nostra produzione riporta il nostro marchio.

CEI Index

CEI no.	MB no.	Tab.	Fig.	CEI no.	MB no.	Tab.	Fig.	CEI no.	MB no.	Tab.	Fig.
155.066	315 353 0045	00630	2	155.206	389 262 0535	00215	13	155.274	695 262 0035	00110	33
155.066	315 353 0045	00630	29	155.206	389 262 0535	00255	13	155.274	695 262 0035	00130	8
155.070	346 350 0645	00550	3	155.211	355 353 1445	00540	3	155.274	695 262 0035	00150	8
155.071	346 350 0545	00440	2	155.213	355 350 1245	00420	2	155.275	385 350 0145	00420	2
155.071	346 350 0545	00550	3	155.229	970 262 2535	00100	34	155.275	385 350 0145	00460	2
155.086	346 350 0445	00550	3	155.229	970 262 2535	00110	20	155.275	385 350 0145	00480	2
155.087	358 350 0045	00560	2	155.229	970 262 2535	00120	19	155.276	653 353 0145	00420	2
155.088	360 350 0045	00560	2	155.229	970 262 2535	00130	21	155.276	653 353 0145	00460	2
155.088	360 350 0045	00610	2	155.229	970 262 2535	00150	21	155.277	316 350 0045	00600	2
155.088	360 350 0045	00620	2	155.230	970 262 2435	00120	33	155.278	318 350 0145	00600	2
155.089	343 352 0016	00630	30	155.230	970 262 2435	00130	36	155.279	385 353 0945	00580	2
155.094	309 350 0345	00590	2	155.230	970 262 2435	00150	35	155.280	385 353 1045	00580	2
155.175	352 262 0045	00010	41	155.232	945 262 3835	00260	44	155.281	385 353 1345	00580	2
155.181	383 262 0235	00010	31	155.232	945 262 3835	00280	35	155.282	385 353 1145	00580	2
155.182	381 262 0035	00010	8	155.232	945 262 3835	00320	44	155.283	319 350 0745	00590	2
155.188	322 262 0045	00010	41	155.232	945 262 3835	00330	35	155.284	319 350 0845	00590	2
155.194	355 353 2245	00540	3	155.232	945 262 3835	00350	44	155.285	386 353 0745	00610	2
155.194	355 353 2245	00680	2	155.232	945 262 3835	00360	31	155.287	360 350 0445	00610	2
155.195	305 353 0345	00540	3	155.232	945 262 3835	00370	34	155.287	360 350 0445	00620	2
155.196	355 353 2345	00420	2	155.232	945 262 3835	00380	31	155.288	385 353 0013	00610	29
155.204	389 262 2035	00165	13	155.234	970 262 1535	00110	9	155.289	385 350 0045	00620	2
155.204	389 262 2035	00175	13	155.234	970 262 1535	00120	8	155.294	346 350 0845	00550	3
155.204	389 262 2035	00185	13	155.237	970 262 0835	00110	39	155.295	346 350 1245	00550	3
155.204	389 262 2035	00195	13	155.237	970 262 0835	00120	40	155.297	360 350 0645	00560	2
155.204	389 262 2035	00215	13	155.237	970 262 0835	00130	45	155.297	360 350 0645	00570	2
155.204	389 262 2035	00235	15	155.237	970 262 0835	00150	42	155.298	942 353 0745	00500	2
155.204	389 262 2035	00255	13	155.245	389 262 5335	00200	12	155.298	942 353 0745	00520	2
155.204	389 262 2035	00265	16	155.245	389 262 5335	00220	12	155.299	942 353 1045	00500	2
155.204	389 262 2035	00275	8	155.245	389 262 5335	00240	11	155.299	942 353 1045	00520	2
155.204	389 262 2035	00285	16	155.245	389 262 5335	00300	11	155.300	942 353 1145	00500	2
155.204	389 262 2035	00295	16	155.258	302 262 0535	00010	8	155.301	944 353 0245	00500	29
155.204	389 262 2035	00315	8	155.262	972 262 0935	00100	43	155.302	653 350 0245	00570	2
155.204	389 262 2035	00325	16	155.263	971 262 0335	00100	43	155.303	940 350 0145	00700	3
155.204	389 262 2035	00335	16	155.264	971 262 0735	00100	43	155.304	942 353 1245	00520	2
155.204	389 262 2035	00355	16	155.265	355 350 0645	00420	2	155.305	901 353 0145	00640	2
155.204	389 262 2035	00365	16	155.265	355 350 0645	00460	2	155.306	677 350 0045	00650	3
155.204	389 262 2035	00375	16	155.265	355 350 0645	00480	2	155.306	677 350 0045	00660	2
155.204	389 262 2035	00385	16	155.266	355 353 1245	00540	3	155.307	300 350 0445	00670	2
155.204	389 262 2035	00395	16	155.267	355 350 0745	00420	2	155.308	652 350 0045	00670	2
155.204	389 262 2035	00405	16	155.267	355 350 0745	00480	2	156.167	302 993 0901	00010	11
155.206	389 262 0535	00165	13	155.271	656 262 0135	00340	18	156.167	302 993 0901	00010	23
155.206	389 262 0535	00185	13	155.272	656 262 0035	00340	25	156.167	302 993 0901	00010	34
155.206	389 262 0535	00195	13	155.273	389 262 2135	00250	25	156.167	302 993 0901	00020	16

Date

04 / 2011

Table

Index

CEI no.	MB no.	Tab.	Fig.	CEI no.	MB no.	Tab.	Fig.	CEI no.	MB no.	Tab.	Fig.
156.196	385 993 2201	00020	15	157.161	381 262 0135	00010	20	157.601	389 262 0435	00180	25
156.199	970 993 6401	00100	9	157.161	381 262 0135	00020	24	157.602	389 262 0040	00180	32
156.199	970 993 6401	00100	23	157.212	389 262 0209	00180	38	157.603	389 262 0135	00160	32
156.199	970 993 6401	00100	38	157.212	389 262 0209	00190	44	157.603	389 262 0135	00190	36
156.199	970 993 6401	00110	25	157.212	389 262 0209	00210	44	157.603	389 262 0135	00210	36
156.199	970 993 6401	00110	37	157.212	389 262 0209	00230	43	157.603	389 262 0135	00230	35
156.199	970 993 6401	00110	46	157.212	389 262 0209	00250	38	157.603	389 262 0135	00260	44
156.199	970 993 6401	00120	10	157.213	389 262 0035	00070	29	157.603	389 262 0135	00280	35
156.199	970 993 6401	00120	24	157.213	389 262 0035	00160	27	157.603	389 262 0135	00320	44
156.199	970 993 6401	00120	37	157.213	389 262 0035	00180	19	157.603	389 262 0135	00330	35
156.199	970 993 6401	00130	12	157.213	389 262 0035	00190	32	157.603	389 262 0135	00350	44
156.199	970 993 6401	00130	24	157.213	389 262 0035	00210	32	157.603	389 262 0135	00370	34
156.199	970 993 6401	00130	39	157.213	389 262 0035	00230	31	157.604	389 262 0509	00260	52
156.199	970 993 6401	00150	11	157.213	389 262 0035	00250	19	157.605	945 262 0909	00260	52
156.199	970 993 6401	00150	25	157.214	389 262 0635	00160	17	157.605	945 262 0909	00280	42
156.199	970 993 6401	00150	40	157.214	389 262 0635	00180	9	157.605	945 262 0909	00320	52
156.201	312 993 1701	00020	37	157.214	389 262 0635	00190	20	157.605	945 262 0909	00330	42
156.202	385 993 1501	00025	13	157.214	389 262 0635	00210	20	157.605	945 262 0909	00350	52
156.204	008 993 0801	00265	42	157.214	389 262 0635	00250	9	157.605	945 262 0909	00360	38
156.204	008 993 0801	00275	28	157.215	389 262 1535	00190	20	157.605	945 262 0909	00370	42
156.204	008 993 0801	00285	42	157.215	389 262 1535	00210	20	157.605	945 262 0909	00380	38
156.204	008 993 0801	00315	28	157.215	389 262 1535	00230	21	157.605	945 262 0909	00390	27
156.204	008 993 0801	00325	42	157.555	389 262 2835	00260	27	157.605	945 262 0909	00400	27
156.204	008 993 0801	00335	42	157.555	389 262 2835	00350	27	157.606	389 262 3935	00260	44
156.204	008 993 0801	00355	42	157.556	389 262 4735	00260	27	157.606	389 262 3935	00280	35
156.204	008 993 0801	00365	42	157.556	389 262 4735	00280	21	157.606	389 262 3935	00320	44
156.204	008 993 0801	00375	42	157.556	389 262 4735	00320	27	157.606	389 262 3935	00330	35
156.204	008 993 0801	00385	42	157.556	389 262 4735	00330	21	157.606	389 262 3935	00350	44
156.206	000 993 6705	00265	42	157.556	389 262 4735	00350	27	157.606	389 262 3935	00360	31
156.206	000 993 6705	00285	42	157.556	389 262 4735	00370	20	157.606	389 262 3935	00370	34
156.206	000 993 6705	00325	42	157.557	389 262 2535	00260	39	157.606	389 262 3935	00380	31
156.206	000 993 6705	00335	42	157.557	389 262 2535	00280	31	157.607	945 262 1935	00290	10
156.206	000 993 6705	00355	42	157.557	389 262 2535	00290	20	157.608	945 262 0109	00290	36
156.206	000 993 6705	00375	42	157.557	389 262 2535	00320	39	157.611	387 262 2135	00030	9
157.050	346 354 0417	00730	7	157.557	389 262 2535	00330	31	157.611	387 262 2135	00040	9
157.087	346 354 0517	00720	7	157.557	389 262 2535	00350	39	157.611	387 262 2135	00050	9
157.088	327 353 0586	00610	24	157.557	389 262 2535	00370	30	157.611	387 262 2135	00080	20
157.142	385 262 1035	00025	10	157.558	389 262 0109	00160	40	157.611	387 262 2135	00090	20
157.156	385 262 0235	00020	12	157.559	389 262 0309	00160	40	157.612	387 262 0436	00030	35
157.157	385 262 0536	00020	30	157.600	389 262 0409	00180	38	157.612	387 262 0436	00040	37
157.158	385 262 0036	00020	30	157.600	389 262 0409	00190	44	157.612	387 262 0436	00050	36
157.160	385 262 0109	00020	40	157.600	389 262 0409	00210	44	157.612	387 262 0436	00090	47
157.160	385 262 0109	00020	51	157.600	389 262 0409	00250	38	157.613	387 262 0036	00030	35

All original equipment manufacturers numbers, symbols, pictures, models and description used in this catalogue are for reference only, and it is not implied that any part listed is the product of these manufactures.
Tutti i nostri particolari non sono originali ma con essi intercambiabili. I riferimenti originali, le figure, i modelli sono esposti a semplice titolo indicativo. La nostra produzione riporta il nostro marchio.

CEI Index

CEI no.	MB no.	Tab.	Fig.	CEI no.	MB no.	Tab.	Fig.	CEI no.	MB no.	Tab.	Fig.
157.613	387 262 0036	00030	35	157.627	389 262 1135	00060	35	157.723	355 354 2417	00740	7
157.613	387 262 0036	00040	37	157.627	389 262 1135	00140	43	157.724	346 354 2417	00730	7
157.613	387 262 0036	00040	37	157.628	389 262 1935	00060	12	157.725	346 354 2517	00720	7
157.613	387 262 0036	00050	36	157.628	389 262 1935	00140	22	157.726	346 354 3017	00740	7
157.613	387 262 0036	00050	36	157.629	389 262 2735	00060	25	157.728	346 354 4117	00720	7
157.613	387 262 0036	00090	47	157.629	389 262 2735	00140	33	157.729	355 354 2517	00730	7
157.613	387 262 0036	00090	47	157.630	389 262 4135	00060	42	157.730	355 354 2717	00720	7
157.614	387 262 0935	00040	9	157.630	389 262 4135	00200	44	157.731	355 354 3017	00740	7
157.614	387 262 0935	00070	9	157.630	389 262 4135	00220	45	157.732	355 354 3517	00730	7
157.615	387 262 2735	00030	31	157.630	389 262 4135	00240	43	157.733	355 354 3617	00720	7
157.616	387 262 3335	00030	31	157.630	389 262 4135	00300	43	157.734	945 262 3635	00360	20
157.617	387 262 2035	00030	21	157.631	389 262 5635	00060	35	157.734	945 262 3635	00360	27
157.617	387 262 2035	00040	21	157.631	389 262 5635	00200	35	157.734	945 262 3635	00380	20
157.617	387 262 2035	00050	20	157.631	389 262 5635	00220	35	157.734	945 262 3635	00380	27
157.617	387 262 2035	00070	20	157.631	389 262 5635	00240	63	157.734	945 262 3635	00390	15
157.617	387 262 2035	00090	31	157.631	389 262 5635	00300	62	157.734	945 262 3635	00390	22
157.618	387 262 3535	00040	31	157.632	387 262 0136	00070	37	157.734	945 262 3635	00400	15
157.618	387 262 3535	00080	42	157.633	387 262 2935	00070	37	157.734	945 262 3635	00400	22
157.619	387 262 0735	00040	31	157.634	387 262 0236	00070	37	157.735	947 262 1435	00270	15
157.619	387 262 0735	00080	42	157.635	387 262 0140	00070	39	157.735	947 262 1435	00270	22
157.620	387 262 0835	00040	21	157.636	387 262 0040	00070	39	157.735	947 262 1435	00310	15
157.621	387 262 0335	00040	37	157.637	387 262 0240	00070	39	157.735	947 262 1435	00310	22
157.621	387 262 0335	00080	47	157.638	387 262 0440	00070	39	157.736	947 262 1209	00270	27
157.622	387 262 3435	00040	31	157.639	387 262 1835	00070	20	157.736	947 262 1209	00310	27
157.622	387 262 3435	00050	30	157.640	389 262 3435	00070	29	157.742	385 262 0835	00020	12
157.622	387 262 3435	00070	29	157.641	387 262 2335	00080	32	157.745	972 262 0735	00100	20
157.622	387 262 3435	00090	41	157.642	387 262 2835	00090	9	157.746	971 262 0635	00100	7
157.623	387 262 0435	00040	31	157.647	355 354 0317	00720	7	157.764	947 262 1609	00270	27
157.623	387 262 0435	00050	30	157.648	305 354 0317	00720	7	157.764	947 262 1609	00310	27
157.623	387 262 0435	00070	29	157.649	355 354 2117	00720	7	157.999	346 354 0917	00740	7
157.623	387 262 0435	00090	41	157.650	355 354 0417	00730	7	160.178	302 262 0174	00010	10
157.624	389 262 4435	00060	25	157.651	305 354 0217	00730	7	160.178	302 262 0174	00010	22
157.624	389 262 4435	00200	18	157.652	355 354 1817	00730	7	160.178	302 262 0174	00010	33
157.624	389 262 4435	00220	24	157.654	346 354 1917	00720	7	160.178	302 262 0174	00020	14
157.624	389 262 4435	00240	23	157.655	346 354 1717	00730	7	160.259	970 262 0274	00100	8
157.624	389 262 4435	00300	23	157.714	976 262 0335	00140	48	160.259	970 262 0274	00100	22
157.625	389 262 4535	00060	12	157.715	947 262 0435	00170	10	160.259	970 262 0274	00100	37
157.626	389 262 4235	00060	42	157.716	947 262 0135	00170	20	160.259	970 262 0274	00110	24
157.626	389 262 4235	00200	44	157.717	947 262 0735	00170	28	160.259	970 262 0274	00110	36
157.626	389 262 4235	00220	45	157.718	947 262 0709	00170	34	160.259	970 262 0274	00110	45
157.626	389 262 4235	00240	43	157.720	976 262 0835	00130	8	160.259	970 262 0274	00120	9
157.626	389 262 4235	00300	43	157.721	346 354 2217	00740	7	160.259	970 262 0274	00120	23
157.626	389 262 4235	00340	33	157.722	355 354 1217	00740	7	160.259	970 262 0274	00120	36

Date

04 / 2011

Table

Index

CEI no.	MB no.	Tab.	Fig.	CEI no.	MB no.	Tab.	Fig.	CEI no.	MB no.	Tab.	Fig.
160.259	970 262 0274	00130	11	169.267	319 353 0624	00590	14	169.670	355 353 1862	00460	10
160.259	970 262 0274	00130	23	169.496	346 353 0224	00440	16	169.670	355 353 1862	00480	10
160.259	970 262 0274	00130	38	169.496	346 353 0224	00440	27	169.671	355 353 2262	00420	30
160.259	970 262 0274	00150	10	169.497	346 353 2462	00440	30	169.671	355 353 2262	00460	25
160.259	970 262 0274	00150	24	169.523	355 356 1215	00720	1	169.671	355 353 2262	00480	20
160.259	970 262 0274	00150	39	169.523	355 356 1215	00730	1	169.672	355 353 2362	00420	30
160.266	383 262 0040	00010	32	169.523	355 356 1215	00740	1	169.672	355 353 2362	00460	25
160.270	385 262 1074	00020	36	169.524	346 353 1762	00440	10	169.672	355 353 2362	00480	20
160.271	385 262 0674	00025	12	169.525	346 353 2562	00440	30	169.675	327 353 2162	00610	27
163.066	326 354 1410	00630	21	169.581	494 335 0075	00430	11	169.676	327 353 2462	00610	25
163.067	315 354 0610	00630	21	169.581	494 335 0075	00430	19	169.677	327 353 2952	00610	23
163.090	326 354 1310	00630	21	169.581	494 335 0075	00540	16	169.692	385 353 4062	00490	14
167.109	389 262 0062	00410	6	169.581	494 335 0075	00540	24	169.692	385 353 4062	00490	22
167.111	389 262 0362	00410	34	169.582	355 353 0176	00420	16	169.692	385 353 4062	00580	14
167.118	389 262 0862	00410	6	169.582	355 353 0176	00420	27	169.692	385 353 4062	00580	20
169.133	304 353 0162	00630	12	169.582	355 353 0176	00460	16	169.693	615 353 0262	00490	20
169.135	352 353 0024	00470	12	169.582	355 353 0176	00460	24	169.693	615 353 0262	00580	24
169.135	352 353 0024	00560	15	169.582	355 353 0176	00480	16	169.693	615 353 0262	00670	17
169.135	352 353 0024	00560	21	169.582	355 353 0176	00480	27	169.739	659 353 0051	00440	24
169.135	352 353 0024	00570	15	169.589	355 353 0562	00430	9	169.801	389 262 0162	00165	5
169.135	352 353 0024	00650	17	169.589	355 353 0562	00430	15	169.801	389 262 0162	00175	5
169.135	352 353 0024	00660	15	169.589	355 353 0562	00430	23	169.801	389 262 0162	00185	5
169.136	346 353 0124	00450	11	169.589	355 353 0562	00540	18	169.801	389 262 0162	00195	5
169.136	346 353 0124	00450	17	169.589	355 353 0562	00540	26	169.801	389 262 0162	00215	5
169.136	346 353 0124	00450	25	169.589	355 353 0562	00540	35	169.801	389 262 0162	00235	5
169.136	346 353 0124	00550	15	169.636	346 353 1862	00440	10	169.801	389 262 0162	00255	5
169.136	346 353 0124	00550	23	169.637	346 353 1962	00440	10	169.801	389 262 0162	00265	5
169.136	346 353 0124	00550	31	169.639	385 353 1262	00490	12	169.801	389 262 0162	00285	5
169.137	346 353 2262	00450	9	169.639	385 353 1262	00580	16	169.801	389 262 0162	00295	5
169.137	346 353 2262	00450	19	169.639	385 353 1262	00610	21	169.801	389 262 0162	00325	5
169.137	346 353 2262	00450	27	169.639	385 353 1262	00620	15	169.801	389 262 0162	00335	5
169.137	346 353 2262	00550	17	169.640	385 353 2262	00490	14	169.801	389 262 0162	00355	5
169.137	346 353 2262	00550	25	169.640	385 353 2262	00490	22	169.801	389 262 0162	00365	5
169.137	346 353 2262	00550	33	169.640	385 353 2262	00580	14	169.801	389 262 0162	00375	5
169.138	674 353 0362	00470	14	169.640	385 353 2262	00580	20	169.801	389 262 0162	00385	5
169.138	674 353 0362	00560	13	169.642	385 262 0152	00025	3	169.801	389 262 0162	00395	5
169.138	674 353 0362	00560	19	169.667	317 262 4262	00020	8	169.801	389 262 0162	00405	5
169.138	674 353 0362	00570	13	169.668	355 353 2062	00420	10	169.802	389 262 0262	00165	6
169.244	304 353 0362	00630	8	169.668	355 353 2062	00480	10	169.802	389 262 0262	00185	6
169.265	327 353 3962	00610	19	169.669	355 353 1962	00420	10	169.802	389 262 0262	00195	6
169.265	327 353 3962	00620	13	169.669	355 353 1962	00460	10	169.802	389 262 0262	00215	6
169.266	327 353 4662	00610	21	169.669	355 353 1962	00480	10	169.802	389 262 0262	00235	6
169.266	327 353 4662	00620	15	169.670	355 353 1862	00420	10	169.802	389 262 0262	00255	6

All original equipment manufacturers numbers, symbols, pictures, models and description used in this catalogue are for reference only, and it is not implied that any part listed is the product of these manufacturers.
Tutti i nostri particolari non sono originali ma con essi intercambiabili. I riferimenti originali, le figure, i modelli sono esposti a semplice titolo indicativo. La nostra produzione riporta il nostro marchio.

CEI Index

CEI no.	MB no.	Tab.	Fig.	CEI no.	MB no.	Tab.	Fig.	CEI no.	MB no.	Tab.	Fig.
169.803	389 262 1462	00265	6	169.831	346 994 0439	00730	5	170.141	658 357 0901	00740	3
169.803	389 262 1462	00285	6	169.831	346 994 0439	00740	5	170.225	385 357 1501	00620	17
169.803	389 262 1462	00295	6	169.832	000472 230000	00730	5	170.273	942 353 0235	00520	32
169.803	389 262 1462	00325	6	169.833	346 353 0952	00450	35	170.274	944 330 0081	00500	37
169.803	389 262 1462	00335	6	169.833	346 353 0952	00550	42	170.275	944 353 0235	00500	37
169.803	389 262 1462	00355	6	169.834	346 353 1352	00450	35	170.285	948 357 0101	00700	18
169.803	389 262 1462	00365	6	169.834	346 353 1352	00550	42	170.287	948 357 1001	00700	18
169.803	389 262 1462	00375	6	169.835	346 353 1452	00450	35	170.289	385 357 5501	00580	27
169.803	389 262 1462	00385	6	169.835	346 353 1452	00550	42	170.290	385 357 6001	00490	24
169.803	389 262 1462	00395	6	169.836	346 353 1429	00550	6	170.290	385 357 6001	00580	27
169.803	389 262 1462	00405	6	169.836	346 353 1429	00550	42	170.291	652 357 0301	00490	24
169.805	389 262 9052	00060	19	169.837	346 353 1852	00550	42	170.291	652 357 0301	00580	27
169.806	389 263 0162	00060	55	169.838	346 353 2252	00550	42	170.292	309 357 0401	00590	16
169.807	308 353 0062	00430	9	169.844	387 263 3452	00160	58	170.293	310 357 0701	00590	16
169.807	308 353 0062	00430	15	169.844	387 263 3452	00190	62	170.294	310 357 1101	00600	16
169.807	308 353 0062	00430	23	169.844	387 263 3452	00210	62	170.295	310 357 0601	00600	16
169.807	308 353 0062	00510	18	169.844	387 263 3452	00260	66	170.296	674 357 0001	00600	16
169.807	308 353 0062	00540	18	169.844	387 263 3452	00410	45	170.297	385 353 0335	00420	38
169.807	308 353 0062	00540	26	169.973	389 262 1854	00410	11	170.297	385 353 0335	00460	33
169.807	308 353 0062	00540	35	170.028	346 357 1801	00730	3	170.298	355 353 0735	00420	38
169.807	308 353 0062	00680	18	170.028	346 357 1801	00740	3	170.299	385 353 0835	00420	38
169.821	355 353 2562	00420	10	170.029	322 357 2601	00560	23	170.300	385 353 0435	00480	36
169.822	653 353 0051	00420	24	170.045	335 356 0205	00630	27	170.301	385 353 0535	00480	36
169.822	653 353 0051	00460	21	170.046	335 357 0102	00630	20	170.302	355 353 0335	00460	33
169.822	653 353 0051	00480	24	170.047	314 357 0501	00600	16	170.303	301 357 0301	00560	23
169.823	355 353 2462	00420	30	170.102	346 353 0435	00440	38	170.305	383 357 0501	00560	23
169.823	355 353 2462	00460	25	170.126	355 353 0135	00420	38	170.306	383 357 0601	00560	23
169.823	355 353 2462	00480	20	170.127	355 357 0701	00720	2	170.307	385 357 0501	00560	23
169.824	355 353 2662	00420	30	170.127	355 357 0701	00730	2	170.308	385 357 0301	00470	17
169.824	355 353 2662	00460	25	170.128	355 357 0801	00720	3	170.308	385 357 0301	00570	17
169.824	355 353 2662	00480	20	170.129	355 357 1001	00720	3	170.309	385 357 5001	00470	17
169.825	070952 055102	00420	33	170.130	659 357 1001	00720	2	170.309	385 357 5001	00570	17
169.825	070952 055102	00460	28	170.130	659 357 1001	00730	2	170.310	385 357 0101	00470	17
169.825	070952 055102	00480	31	170.130	659 357 1001	00740	2	170.310	385 357 0101	00570	18
169.827	395 353 0277	00430	28	170.131	659 357 1101	00720	3	170.311	385 357 4801	00470	17
169.827	395 353 0277	00540	33	170.131	659 357 1101	00740	3	170.311	385 357 4801	00570	18
169.828	355 353 0129	00540	6	170.132	658 357 0601	00730	2	170.312	942 353 0135	00440	38
169.829	070952 060102	00440	33	170.132	658 357 0601	00740	2	170.313	904 357 0201	00640	15
169.829	070952 060102	00500	32	170.140	658 357 0801	00720	2	170.314	970 357 0601	00650	19
169.829	070952 060102	00520	27	170.140	658 357 0801	00730	2	170.315	301 357 0201	00580	27
169.830	000472 240000	00720	5	170.140	658 357 0801	00740	2	170.316	658 357 1501	00720	3
169.830	000472 240000	00740	5	170.141	658 357 0901	00720	3	170.317	970 357 0401	00650	19
169.831	346 994 0439	00720	5	170.141	658 357 0901	00730	3	171.036	615 981 0186	00490	18

Date

04 / 2011

Table

Index

CEI no.	MB no.	Tab.	Fig.	CEI no.	MB no.	Tab.	Fig.	CEI no.	MB no.	Tab.	Fig.
171.036	615 981 0186	00580	22	182.004	326 353 0414	00630	11	182.096	675 353 0014	00650	16
171.036	615 981 0186	00670	15	182.005	302 353 0014	00470	11	182.096	675 353 0014	00660	14
171.039	355 981 0187	00610	26	182.005	302 353 0014	00560	14	182.096	675 353 0014	00700	15
171.055	001 981 3287	00165	4	182.005	302 353 0014	00560	20	182.114	CEI 182114	00500	17
171.056	001 981 2887	00185	4	182.005	302 353 0014	00570	14	182.114	CEI 182114	00520	17
171.056	001 981 2887	00195	4	182.015	309 353 0014	00590	13	182.117	395 011 4220	00680	19
171.056	001 981 2887	00215	4	182.016	354 353 0014	00610	20	182.118	CEI 182118	00510	16
171.056	001 981 2887	00255	4	182.016	354 353 0014	00620	14	182.129	107 353 0014	00640	12
171.057	000 981 4186	00185	4	182.027	346 353 0614	00450	16	182.130	380 353 0014	00600	13
171.057	000 981 4186	00195	4	182.027	346 353 0614	00550	22	182.131	385 353 0114	00610	20
171.057	000 981 4186	00215	4	182.046	316 353 0014	00600	13	182.131	385 353 0114	00620	14
171.057	000 981 4186	00235	4	182.047	355 353 0214	00420	15	182.132	669 353 0014	00590	13
171.057	000 981 4186	00255	4	182.047	355 353 0214	00460	15	182.134	674 353 0014	00600	13
171.057	000 981 4186	00265	4	182.047	355 353 0214	00480	15	182.136	615 353 0314	00670	16
171.057	000 981 4186	00285	4	182.048	346 353 0514	00440	15	187.030	308676 012022	00440	44
171.057	000 981 4186	00295	4	182.051	494 335 0214	00430	10	187.249	366 353 0225	00630	15
171.057	000 981 4186	00325	4	182.051	494 335 0214	00430	18	187.250	385 351 0672	00420	1
171.057	000 981 4186	00335	4	182.051	494 335 0214	00540	15	187.250	385 351 0672	00430	2
171.057	000 981 4186	00355	4	182.051	494 335 0214	00540	23	187.250	385 351 0672	00460	1
171.057	000 981 4186	00365	4	182.053	617 353 0114	00490	11	187.250	385 351 0672	00480	1
171.057	000 981 4186	00375	4	182.053	617 353 0114	00580	15	187.250	385 351 0672	00510	1
171.057	000 981 4186	00385	4	182.056	346 353 1014	00450	24	187.250	385 351 0672	00540	2
171.057	000 981 4186	00395	4	182.056	346 353 1014	00530	18	187.250	385 351 0672	00670	1
171.057	000 981 4186	00405	4	182.056	346 353 1014	00550	30	187.250	385 351 0672	00680	1
171.068	000 981 6186	00175	4	182.056	346 353 1014	00550	38	187.252	303 356 0026	00630	25
171.072	381 981 0087	00025	4	182.056	346 353 1014	00690	19	187.253	385 351 0172	00470	1
175.347	CEI 175347	00500	15	182.057	615 353 0214	00490	19	187.253	385 351 0172	00490	1
175.347	CEI 175347	00520	15	182.057	615 353 0214	00580	23	187.253	385 351 0172	00560	1
175.351	944 353 0101	00680	9	182.063	659 353 0014	00440	26	187.253	385 351 0172	00570	1
175.352	CEI 175352	00510	8	182.075	653 353 0014	00420	26	187.253	385 351 0172	00580	1
175.353	CEI 175353	00510	7	182.075	653 353 0014	00460	23	187.253	385 351 0172	00610	1
175.354	942 353 0401	00690	9	182.075	653 353 0014	00480	26	187.253	385 351 0172	00620	1
175.355	CEI 175355	00530	8	182.076	355 353 0614	00430	18	187.253	385 351 0172	00630	1
175.356	CEI 175356	00530	9	182.076	355 353 0614	00540	23	187.253	385 351 0172	00630	28
175.383	946 353 0001	00710	9	182.077	395 353 0114	00430	27	187.253	385 351 0172	00650	2
175.384	948 353 0001	00700	10	182.077	395 353 0114	00540	32	187.253	385 351 0172	00660	1
175.391	315 350 0250	00630	3	182.080	CEI 182080	00450	10	187.253	385 351 0172	00670	1
175.392	652 353 0207	00670	5	182.080	CEI 182080	00550	14	187.471	385 351 0372	00600	1
175.393	676 353 0107	00660	4	182.095	946 353 0014	00710	14	187.493	322 262 0072	00010	42
175.394	676 353 0207	00660	4	182.096	675 353 0014	00470	11	187.507	346 353 0126	00440	18
175.396	948 353 0101	00700	10	182.096	675 353 0014	00560	14	187.514	346 350 0443	00450	30
182.003	366 353 0414	00450	10	182.096	675 353 0014	00560	20	187.514	346 350 0443	00550	10
182.003	366 353 0414	00550	14	182.096	675 353 0014	00570	14	187.515	652 353 0025	00450	32

All original equipment manufacturers numbers, symbols, pictures, models and description used in this catalogue are for reference only, and it is not implied that any part listed is the product of these manufacturers. Tutti i nostri particolari non sono originali ma con essi intercambiabili. I riferimenti originali, le figure, i modelli sono esposti a semplice titolo indicativo. La nostra produzione riporta il nostro marchio.

CEI Index

CEI no.	MB no.	Tab.	Fig.	CEI no.	MB no.	Tab.	Fig.	CEI no.	MB no.	Tab.	Fig.
187.515	652 353 0025	00550	12	187.616	355 353 0126	00480	28	188.181	945 269 0834	00285	2
187.516	346 353 0825	00440	6	187.617	070852 055000	00420	32	188.181	945 269 0834	00295	2
187.527	385 990 0351	00010	1	187.617	070852 055000	00460	27	188.181	945 269 0834	00325	2
187.527	385 990 0351	00020	1	187.617	070852 055000	00480	30	188.181	945 269 0834	00335	2
187.534	355 353 0026	00420	18	187.618	355 353 0225	00420	37	188.181	945 269 0834	00355	2
187.534	355 353 0026	00460	18	187.618	355 353 0225	00460	32	188.181	945 269 0834	00365	2
187.534	355 353 0026	00480	18	187.619	944 350 0243	00430	31	188.181	945 269 0834	00375	2
187.536	946 351 0072	00440	1	187.619	944 350 0243	00540	11	188.181	945 269 0834	00385	2
187.536	946 351 0072	00450	2	187.619	944 350 0243	00680	13	188.181	945 269 0834	00395	2
187.536	946 351 0072	00500	1	187.620	371 353 0025	00430	33	188.181	945 269 0834	00405	2
187.536	946 351 0072	00500	30	187.620	371 353 0025	00540	12	188.235	425 262 0140	00025	11
187.536	946 351 0072	00520	1	187.621	346 353 0326	00440	28	188.236	945 263 0041	00160	51
187.536	946 351 0072	00530	1	187.622	674 356 0226	00440	32	188.236	945 263 0041	00180	49
187.536	946 351 0072	00550	2	187.622	674 356 0226	00500	31	188.236	945 263 0041	00190	55
187.536	946 351 0072	00690	1	187.622	674 356 0226	00520	26	188.236	945 263 0041	00210	55
187.536	946 351 0072	00700	2	187.623	346 353 0925	00440	37	188.236	945 263 0041	00230	54
187.536	946 351 0072	00710	1	187.629	383 990 0701	00430	38	188.236	945 263 0041	00250	49
187.609	000914 006109	00165	3	187.629	383 990 0701	00540	40	188.236	945 263 0041	00260	62
187.609	000914 006109	00175	3	187.630	346 990 3101	00450	38	188.236	945 263 0041	00280	53
187.609	000914 006109	00185	3	187.630	346 990 3101	00550	44	188.236	945 263 0041	00290	45
187.609	000914 006109	00195	3	187.634	942 990 1004	00420	44	188.236	945 263 0041	00320	62
187.609	000914 006109	00215	3	187.634	942 990 1004	00460	38	188.236	945 263 0041	00330	53
187.609	000914 006109	00235	3	187.676	945 990 0250	00200	7	188.236	945 263 0041	00350	62
187.609	000914 006109	00255	3	187.676	945 990 0250	00240	6	188.236	945 263 0041	00360	50
187.609	000914 006109	00265	3	187.676	945 990 0250	00270	9	188.236	945 263 0041	00370	52
187.609	000914 006109	00285	3	187.676	945 990 0250	00300	6	188.236	945 263 0041	00380	50
187.609	000914 006109	00295	3	187.676	945 990 0250	00310	9	188.237	006888 003007	00020	5
187.609	000914 006109	00325	3	187.676	945 990 0250	00340	12	188.238	976 263 0041	00060	60
187.609	000914 006109	00335	3	187.676	945 990 0250	00370	62	188.239	385 262 0353	00020	7
187.609	000914 006109	00355	3	187.676	945 990 0250	00380	59	188.240	385 269 0034	00020	7
187.609	000914 006109	00365	3	187.676	945 990 0250	00390	9	188.240	385 269 0034	00020	7
187.609	000914 006109	00375	3	187.676	945 990 0250	00400	9	188.241	308750 012000	00020	38
187.609	000914 006109	00385	3	188.141	337 262 0140	00010	9	188.241	308750 012000	00020	49
187.609	000914 006109	00395	3	188.141	337 262 0140	00010	21	188.242	000 543 5785	00265	43
187.609	000914 006109	00405	3	188.141	337 262 0140	00020	13	188.242	000 543 5785	00275	29
187.611	945 990 0050	00060	7	188.180	389 269 0134	00165	2	188.242	000 543 5785	00285	43
187.611	945 990 0050	00220	7	188.180	389 269 0134	00185	2	188.242	000 543 5785	00315	29
187.612	387 990 0251	00080	13	188.180	389 269 0134	00195	2	188.242	000 543 5785	00325	43
187.615	355 353 0325	00420	6	188.180	389 269 0134	00215	2	188.242	000 543 5785	00335	43
187.615	355 353 0325	00460	6	188.180	389 269 0134	00235	2	188.242	000 543 5785	00355	43
187.615	355 353 0325	00480	6	188.180	389 269 0134	00255	2	188.242	000 543 5785	00365	43
187.616	355 353 0126	00420	28	188.181	945 269 0834	00175	7	188.242	000 543 5785	00375	43
187.616	355 353 0126	00460	40	188.181	945 269 0834	00265	2	188.242	000 543 5785	00385	43

Date

04 / 2011

Table

Index

CEI no.	MB no.	Tab.	Fig.	CEI no.	MB no.	Tab.	Fig.	CEI no.	MB no.	Tab.	Fig.
188.244	389 261 0674	00200	61	189.605	389 269 0706	00240	61	189.607	389 269 2601	00255	24
188.244	389 261 0674	00220	61	189.605	389 269 0706	00255	27	189.607	389 269 2601	00265	28
188.245	389 263 0041	00190	55	189.605	389 269 0706	00265	31	189.607	389 269 2601	00275	17
188.245	389 263 0041	00210	55	189.605	389 269 0706	00275	19	189.607	389 269 2601	00285	28
188.245	389 263 0041	00230	54	189.605	389 269 0706	00285	31	189.607	389 269 2601	00295	28
188.245	389 263 0041	00260	62	189.605	389 269 0706	00295	31	189.607	389 269 2601	00315	17
188.245	389 263 0041	00320	62	189.605	389 269 0706	00300	61	189.607	389 269 2601	00325	28
188.245	389 263 0041	00350	62	189.605	389 269 0706	00315	19	189.607	389 269 2601	00335	28
188.246	389 269 0334	00165	2	189.605	389 269 0706	00325	31	189.607	389 269 2601	00355	28
188.247	942 351 0188	00500	4	189.605	389 269 0706	00335	31	189.607	389 269 2601	00365	28
188.247	942 351 0188	00520	4	189.605	389 269 0706	00340	58	189.607	389 269 2601	00375	28
189.227	320 357 0120	00630	18	189.605	389 269 0706	00355	31	189.607	389 269 2601	00385	28
189.228	320 357 0020	00630	19	189.605	389 269 0706	00365	31	189.607	389 269 2601	00395	28
189.604	947 269 1001	00165	28	189.605	389 269 0706	00375	31	189.607	389 269 2601	00405	28
189.604	947 269 1001	00175	27	189.605	389 269 0706	00385	31	189.680	945 267 0218	00140	75
189.604	947 269 1001	00185	28	189.605	389 269 0706	00395	31	189.680	945 267 0218	00160	52
189.604	947 269 1001	00195	28	189.605	389 269 0706	00405	31	189.680	945 267 0218	00190	60
189.604	947 269 1001	00215	28	189.606	389 269 1406	00165	26	189.680	945 267 0218	00210	60
189.604	947 269 1001	00235	30	189.606	389 269 1406	00175	25	189.680	945 267 0218	00230	59
189.604	947 269 1001	00255	28	189.606	389 269 1406	00185	26	189.680	945 267 0218	00260	68
189.604	947 269 1001	00265	32	189.606	389 269 1406	00195	26	189.680	945 267 0218	00275	22
189.604	947 269 1001	00275	20	189.606	389 269 1406	00215	26	189.680	945 267 0218	00280	57
189.604	947 269 1001	00285	32	189.606	389 269 1406	00235	28	189.680	945 267 0218	00315	22
189.604	947 269 1001	00295	32	189.606	389 269 1406	00255	26	189.680	945 267 0218	00320	68
189.604	947 269 1001	00315	20	189.606	389 269 1406	00265	30	189.680	945 267 0218	00330	57
189.604	947 269 1001	00325	32	189.606	389 269 1406	00275	18	189.680	945 267 0218	00340	48
189.604	947 269 1001	00335	32	189.606	389 269 1406	00285	30	189.680	945 267 0218	00360	53
189.604	947 269 1001	00355	32	189.606	389 269 1406	00295	30	189.680	945 267 0218	00370	56
189.604	947 269 1001	00365	32	189.606	389 269 1406	00315	18	189.680	945 267 0218	00380	53
189.604	947 269 1001	00375	32	189.606	389 269 1406	00325	30	189.680	945 267 0218	00395	37
189.604	947 269 1001	00385	32	189.606	389 269 1406	00335	30	189.680	945 267 0218	00405	37
189.604	947 269 1001	00395	32	189.606	389 269 1406	00355	30	189.681	389 269 2001	00060	61
189.604	947 269 1001	00405	32	189.606	389 269 1406	00365	30	189.681	389 269 2001	00140	70
189.605	389 269 0706	00060	63	189.606	389 269 1406	00375	30	189.681	389 269 2001	00200	62
189.605	389 269 0706	00140	72	189.606	389 269 1406	00385	30	189.681	389 269 2001	00220	62
189.605	389 269 0706	00165	27	189.606	389 269 1406	00395	30	189.681	389 269 2001	00240	59
189.605	389 269 0706	00175	26	189.606	389 269 1406	00405	30	189.681	389 269 2001	00300	59
189.605	389 269 0706	00185	27	189.607	389 269 2601	00165	24	189.681	389 269 2001	00340	56
189.605	389 269 0706	00195	27	189.607	389 269 2601	00175	23	189.682	389 269 2101	00060	64
189.605	389 269 0706	00200	64	189.607	389 269 2601	00185	24	189.682	389 269 2101	00140	73
189.605	389 269 0706	00215	27	189.607	389 269 2601	00195	24	189.683	389 269 1606	00060	62
189.605	389 269 0706	00220	64	189.607	389 269 2601	00215	24	189.683	389 269 1606	00140	71
189.605	389 269 0706	00235	29	189.607	389 269 2601	00235	26	189.683	389 269 1606	00200	63

All original equipment manufacturers numbers, symbols, pictures, models and description used in this catalogue are for reference only, and it is not implied that any part listed is the product of these manufactures.
Tutti i nostri particolari non sono originali ma con essi intercambiabili. I riferimenti originali, le figure, i modelli sono esposti a semplice titolo indicativo. La nostra produzione riporta il nostro marchio.

CEI Index

CEI no.	MB no.	Tab.	Fig.	CEI no.	MB no.	Tab.	Fig.	CEI no.	MB no.	Tab.	Fig.
189.683	389 269 1606	00220	63	190.338	945 260 4661	00285	1	194.179	674 350 0439	00600	6
189.683	389 269 1606	00240	60	190.338	945 260 4661	00325	1	194.180	318 350 1239	00600	6
189.683	389 269 1606	00300	60	190.338	945 260 4661	00335	1	194.182	346 350 1939	00550	8
189.683	389 269 1606	00340	57	190.338	945 260 4661	00355	1	194.183	346 350 6039	00550	8
189.684	972 269 0001	00100	60	190.338	945 260 4661	00365	1	194.286	346 350 2339	00450	6
189.685	972 269 0006	00100	59	190.338	945 260 4661	00375	1	194.287	346 350 6239	00550	8
189.686	971 263 0066	00100	57	190.338	945 260 4661	00385	1	194.288	346 350 3139	00450	6
189.687	972 269 0106	00100	58	190.338	945 260 4661	00395	1	194.290	944 350 1839	00540	8
189.688	629 269 0001	00200	65	190.338	945 260 4661	00405	1	194.291	355 350 4139	00430	6
189.688	629 269 0001	00220	65	190.339	946 260 4061	00295	1	194.292	371 350 0039	00540	8
189.688	629 269 0001	00240	62	190.349	346 353 0535	00420	43	194.295	355 350 4639	00540	8
189.688	629 269 0001	00340	59	190.349	346 353 0535	00440	43	194.333	355 350 4039	00430	6
189.689	000 543 5485	00265	43	190.349	346 353 0535	00460	37	194.334	355 350 3939	00430	6
189.689	000 543 5485	00285	43	190.349	346 353 0535	00480	40	194.335	346 350 2639	00450	6
189.689	000 543 5485	00325	43	190.421	947 260 1961	00175	1	194.336	346 350 2739	00450	6
189.689	000 543 5485	00335	43	190.434	947 260 6361	00275	1	194.356	357 350 1339	00540	8
189.689	000 543 5485	00355	43	190.434	947 260 6361	00315	1	194.377	385 350 3639	00670	7
189.689	000 543 5485	00365	43	190.440	389 260 0761	00165	1	194.378	301 350 2339	00580	8
189.689	000 543 5485	00375	43	190.441	389 260 8661	00265	1	194.400	355 350 4339	00430	6
189.689	000 543 5485	00385	43	190.441	389 260 8661	00355	1	194.418	944 350 0439	00540	8
190.201	385 260 3061	00025	1	190.442	930 260 0024	00390	32	194.419	346 350 8039	00550	8
190.248	387 260 6420	00080	10	190.443	930 260 0124	00400	32	194.420	346 350 3639	00450	6
190.334	389 260 7861	00165	1	190.444	930 260 0424	00400	32	194.421	346 350 7639	00550	8
190.335	389 260 8961	00185	1	190.445	930 260 0324	00390	32	194.422	346 350 7839	00550	8
190.335	389 260 8961	00195	1	194.126	346 350 1739	00550	8	194.424	309 350 1539	00590	6
190.335	389 260 8961	00215	1	194.131	346 350 5639	00550	8	194.601	346 350 2939	00450	6
190.335	389 260 8961	00235	1	194.134	343 350 0039	00630	6	194.605	355 350 4839	00430	6
190.335	389 260 8961	00255	1	194.135	309 350 1439	00590	6	194.644	355 350 4239	00430	6
190.336	389 260 0661	00185	1	194.136	301 350 0639	00560	7	194.645	355 350 4939	00430	6
190.336	389 260 0661	00195	1	194.136	301 350 0639	00660	7	194.646	944 350 2139	00540	8
190.336	389 260 0661	00215	1	194.137	616 350 0139	00560	7	194.647	371 350 0139	00540	8
190.336	389 260 0661	00255	1	194.137	616 350 0139	00660	7	194.649	944 350 1239	00540	8
190.337	946 260 3661	00265	1	194.138	301 350 1339	00560	7	194.651	357 350 1639	00540	8
190.337	946 260 3661	00285	1	194.138	301 350 1339	00660	7	194.833	385 350 4139	00580	8
190.337	946 260 3661	00325	1	194.171	301 350 0739	00560	7	194.833	385 350 4139	00670	7
190.337	946 260 3661	00335	1	194.171	301 350 0739	00660	7	194.834	652 350 0039	00580	8
190.337	946 260 3661	00355	1	194.172	301 350 0839	00560	7	194.834	652 350 0039	00670	7
190.337	946 260 3661	00365	1	194.172	301 350 0839	00660	7	194.835	652 350 0239	00580	8
190.337	946 260 3661	00375	1	194.174	302 350 1539	00610	6	194.835	652 350 0239	00670	7
190.337	946 260 3661	00385	1	194.175	302 350 1739	00620	7	194.836	652 350 0339	00580	8
190.337	946 260 3661	00395	1	194.176	302 350 2839	00610	6	194.836	652 350 0339	00670	7
190.337	946 260 3661	00405	1	194.177	302 350 2639	00610	6	194.837	300 350 0139	00580	8
190.338	945 260 4661	00265	1	194.178	309 350 1639	00590	6	194.837	300 350 0139	00670	7

Date

04 / 2011

Table

Index

CEI no.	MB no.	Tab.	Fig.	CEI no.	MB no.	Tab.	Fig.	CEI no.	MB no.	Tab.	Fig.
194.838	301 350 2239	00580	8	197.079	389 262 0445	00195	20	197.084	945 262 0445	00265	24
194.838	301 350 2239	00670	7	197.079	389 262 0445	00215	20	197.084	945 262 0445	00285	24
194.855	942 350 2539	00530	6	197.079	389 262 0445	00235	22	197.084	945 262 0445	00295	24
194.856	944 350 3939	00680	6	197.079	389 262 0445	00255	20	197.084	945 262 0445	00325	24
194.857	944 350 3839	00680	6	197.079	389 262 0445	00375	23	197.084	945 262 0445	00355	24
194.858	942 350 2739	00530	6	197.079	389 262 0445	00385	23	197.084	945 262 0445	00365	24
194.859	942 350 2239	00690	6	197.080	389 262 0945	00265	23	197.084	945 262 0445	00375	24
194.904	944 350 2539	00510	5	197.080	389 262 0945	00285	23	197.084	945 262 0445	00385	24
194.912	904 350 0039	00640	6	197.080	389 262 0945	00295	23	197.085	387 264 1945	00265	24
194.982	942 350 2839	00530	6	197.080	389 262 0945	00325	23	197.085	387 264 1945	00285	24
194.983	942 350 2639	00530	6	197.080	389 262 0945	00355	23	197.085	387 264 1945	00295	24
196.176	385 260 1544	00020	17	197.080	389 262 0945	00375	23	197.085	387 264 1945	00325	24
196.177	385 260 1444	00020	21	197.081	389 262 0545	00265	23	197.085	387 264 1945	00335	24
196.210	302 260 1644	00010	17	197.081	389 262 0545	00285	23	197.085	387 264 1945	00355	24
196.221	383 260 0142	00010	27	197.081	389 262 0545	00295	23	197.085	387 264 1945	00365	24
196.222	302 262 0312	00010	25	197.081	389 262 0545	00325	23	197.085	387 264 1945	00375	24
196.223	302 260 1544	00010	17	197.081	389 262 0545	00335	23	197.085	387 264 1945	00385	24
196.224	381 260 1744	00010	14	197.081	389 262 0545	00355	23	197.088	387 262 0145	00030	43
196.258	346 353 0385	00440	11	197.081	389 262 0545	00375	23	197.088	387 262 0145	00040	45
196.271	389 262 1413	00190	22	197.082	389 262 0645	00235	22	197.088	387 262 0145	00050	44
196.271	389 262 1413	00210	22	197.082	389 262 0645	00265	23	197.088	387 262 0145	00070	45
196.369	930 264 0320	00265	20	197.082	389 262 0645	00285	23	197.089	387 262 0345	00040	45
196.369	930 264 0320	00285	19	197.082	389 262 0645	00285	23	197.089	387 262 0345	00070	45
196.369	930 264 0320	00295	19	197.082	389 262 0645	00295	23	197.089	387 262 0345	00080	55
196.369	930 264 0320	00325	20	197.082	389 262 0645	00325	23	197.090	387 262 1045	00040	45
196.369	930 264 0320	00335	19	197.082	389 262 0645	00325	23	197.090	387 262 1045	00050	44
196.369	930 264 0320	00365	20	197.082	389 262 0645	00355	23	197.090	387 262 1045	00070	45
196.369	930 264 0320	00385	20	197.082	389 262 0645	00365	23	197.090	387 262 1045	00090	54
196.369	930 264 0320	00395	20	197.082	389 262 0645	00375	23	197.091	387 262 0845	00040	45
196.369	930 264 0320	00405	20	197.082	389 262 0645	00385	23	197.091	387 262 0845	00070	45
196.370	930 264 0420	00355	20	197.082	389 262 0645	00395	23	197.091	387 262 0845	00080	55
196.370	930 264 0420	00365	20	197.082	389 262 0645	00405	23	197.092	387 262 0745	00040	45
196.370	930 264 0420	00375	20	197.083	945 262 0045	00265	23	197.092	387 262 0745	00050	44
196.370	930 264 0420	00385	20	197.083	945 262 0045	00285	23	197.092	387 262 0745	00070	45
196.370	930 264 0420	00395	20	197.083	945 262 0045	00295	23	197.092	387 262 0745	00090	54
196.370	930 264 0420	00405	20	197.083	945 262 0045	00325	23	197.093	976 262 0145	00060	49
196.439	976 262 0011	00140	46	197.083	945 262 0045	00335	23	197.093	976 262 0145	00200	49
196.441	947 264 0020	00175	16	197.083	945 262 0045	00355	23	197.166	947 262 0345	00060	49
197.073	942 350 0045	00440	2	197.083	945 262 0045	00365	23	197.166	947 262 0345	00140	56
197.073	942 350 0045	00550	3	197.083	945 262 0045	00375	23	197.166	947 262 0345	00175	18
197.073	942 350 0045	00690	2	197.083	945 262 0045	00385	23	197.166	947 262 0345	00200	49
197.079	389 262 0445	00165	20	197.083	945 262 0045	00395	23	197.169	355 353 2445	00540	3
197.079	389 262 0445	00185	20	197.083	945 262 0045	00405	23	197.169	355 353 2445	00680	2

All original equipment manufacturers numbers, symbols, pictures, models and description used in this catalogue are for reference only, and it is not implied that any part listed is the product of these manufacturers.
Tutti i nostri particolari non sono originali ma con essi intercambiabili. I riferimenti originali, le figure, i modelli sono esposti a semplice titolo indicativo. La nostra produzione riporta il nostro marchio.

CEI Index

CEI no.	MB no.	Tab.	Fig.	CEI no.	MB no.	Tab.	Fig.	CEI no.	MB no.	Tab.	Fig.
197.171	947 262 1645	00275	12	197.188	387 264 3445	00060	49	197.208	945 262 0545	00375	24
197.172	947 262 1745	00275	12	197.188	387 264 3445	00200	49	197.208	945 262 0545	00385	24
197.173	930 262 0045	00265	23	197.188	387 264 3445	00300	47	197.209	930 262 0245	00265	24
197.173	930 262 0045	00285	23	197.189	656 262 0045	00060	49	197.209	930 262 0245	00285	24
197.173	930 262 0045	00325	23	197.189	656 262 0045	00200	49	197.209	930 262 0245	00355	23
197.173	930 262 0045	00335	23	197.189	656 262 0045	00300	47	197.209	930 262 0245	00355	24
197.173	930 262 0045	00355	23	197.190	387 264 3245	00060	49	197.209	930 262 0245	00375	24
197.173	930 262 0045	00365	23	197.190	387 264 3245	00200	49	197.210	942 350 0145	00550	3
197.173	930 262 0045	00385	23	197.191	629 262 0045	00060	49	197.210	942 350 0145	00690	2
197.173	930 262 0045	00395	23	197.191	629 262 0045	00200	49	197.211	942 350 0245	00550	3
197.173	930 262 0045	00405	23	197.191	629 262 0045	00300	47	197.211	942 350 0245	00690	2
197.174	930 262 0145	00265	23	197.191	629 262 0045	00340	35	197.212	942 350 0645	00690	2
197.174	930 262 0145	00285	23	197.192	629 262 0145	00060	49	197.213	670 350 0045	00650	3
197.174	930 262 0145	00325	23	197.192	629 262 0145	00200	49	197.214	674 350 0245	00650	3
197.174	930 262 0145	00335	23	197.192	629 262 0145	00220	50	197.215	674 350 0145	00650	3
197.174	930 262 0145	00355	23	197.192	629 262 0145	00240	47	197.215	674 350 0145	00660	2
197.174	930 262 0145	00365	23	197.192	629 262 0145	00300	47	197.216	946 350 0145	00710	2
197.174	930 262 0145	00375	23	197.193	972 262 0145	00100	47	197.217	346 350 1645	00440	2
197.174	930 262 0145	00385	23	197.194	970 262 1445	00120	45	197.218	346 350 0945	00440	2
197.174	930 262 0145	00395	23	197.195	976 262 1445	00120	45	197.218	346 350 0945	00550	3
197.174	930 262 0145	00405	23	197.196	976 262 0745	00120	45	197.223	970 350 0045	00650	3
197.176	385 262 0645	00025	17	197.197	970 262 2045	00120	45	197.224	979 262 0345	00100	47
197.177	385 262 0745	00025	17	197.198	976 262 0845	00130	50	197.225	976 262 1545	00150	46
197.178	973 262 0645	00100	47	197.201	656 262 0145	00060	49	198.128	387 586 0035	00450	20
197.179	971 262 0145	00100	47	197.201	656 262 0145	00200	49	198.128	387 586 0035	00550	26
197.180	971 262 0245	00100	47	197.202	945 262 3045	00220	50	198.129	381 586 0135	00560	16
197.181	970 262 1345	00110	44	197.202	945 262 3045	00240	47	198.130	358 586 0035	00470	15
197.181	970 262 1345	00130	50	197.203	947 260 0117	00315	12	198.130	358 586 0035	00560	22
197.182	970 262 1745	00110	44	197.204	947 262 0445	00175	18	198.130	358 586 0035	00570	16
197.183	970 262 0545	00110	44	197.207	387 264 2045	00265	24	198.131	343 586 0135	00630	13
197.184	970 262 1045	00110	44	197.207	387 264 2045	00285	24	198.260	354 586 0035	00610	22
197.184	970 262 1045	00120	45	197.207	387 264 2045	00295	24	198.260	354 586 0035	00620	16
197.184	970 262 1045	00130	50	197.207	387 264 2045	00325	24	198.365	393 586 0035	00430	20
197.184	970 262 1045	00150	46	197.207	387 264 2045	00335	24	198.365	393 586 0035	00540	27
197.185	970 262 1145	00110	44	197.207	387 264 2045	00355	24	198.392	385 260 3245	00025	8
197.185	970 262 1145	00120	45	197.207	387 264 2045	00365	24	198.450	346 350 0654	00730	8
197.185	970 262 1145	00130	50	197.207	387 264 2045	00375	24	198.532	387 350 9823	00420	39
197.186	387 264 2445	00060	49	197.207	387 264 2045	00385	24	198.556	314 350 0026	00600	15
197.186	387 264 2445	00200	49	197.208	945 262 0545	00265	24	198.557	387 350 0040	00450	28
197.186	387 264 2445	00300	47	197.208	945 262 0545	00295	24	198.557	387 350 0040	00550	34
197.187	629 262 0245	00060	49	197.208	945 262 0545	00325	24	198.581	346 350 1533	00720	10
197.187	629 262 0245	00200	49	197.208	945 262 0545	00355	24	198.581	346 350 1533	00730	10
197.187	629 262 0245	00300	47	197.208	945 262 0545	00365	24	198.618	343 350 1023	00440	39

Date

04 / 2011

Table

Index

CEI no.	MB no.	Tab.	Fig.	CEI no.	MB no.	Tab.	Fig.	CEI no.	MB no.	Tab.	Fig.
198.627	440 260 0097	00025	6	198.886	655 260 0197	00265	7	198.933	355 350 5133	00730	10
198.652	346 350 0554	00720	8	198.886	655 260 0197	00285	7	198.934	355 350 1009	00720	11
198.677	381 260 0145	00010	52	198.886	655 260 0197	00325	7	198.935	355 350 3433	00720	10
198.700	355 350 0354	00720	8	198.886	655 260 0197	00335	7	198.935	355 350 3433	00730	10
198.701	346 350 1109	00740	11	198.886	655 260 0197	00355	7	198.936	355 350 1209	00730	11
198.712	385 350 0040	00490	15	198.886	655 260 0197	00365	7	198.937	346 350 0609	00720	11
198.712	385 350 0040	00580	17	198.886	655 260 0197	00375	7	198.938	346 350 3033	00730	10
198.713	615 350 0040	00490	23	198.886	655 260 0197	00385	7	198.941	346 350 0709	00730	11
198.713	615 350 0040	00580	25	198.886	655 260 0197	00395	7	198.942	346 350 1809	00730	11
198.859	CEI 198859	00430	12	198.886	655 260 0197	00405	7	199.015	349 350 0027	00630	7
198.859	CEI 198859	00540	19	198.887	945 260 0197	00295	7	199.018	349 350 0923	00630	7
198.879	389 260 2036	00165	10	198.889	343 350 0923	00440	40	199.045	316 350 1423	00600	7
198.879	389 260 2036	00185	10	198.905	658 350 0023	00420	39	199.046	346 350 8123	00450	29
198.879	389 260 2036	00195	10	198.906	658 350 0223	00420	40	199.046	346 350 8123	00550	9
198.879	389 260 2036	00215	10	198.907	658 350 0323	00420	40	199.047	383 350 2323	00560	8
198.879	389 260 2036	00235	12	198.908	CEI 198908	00420	41	199.047	383 350 2323	00660	8
198.879	389 260 2036	00255	10	198.909	395 350 0040	00430	29	199.048	346 350 0427	00450	29
198.879	389 260 2036	00265	13	198.909	395 350 0040	00540	36	199.048	346 350 0427	00550	9
198.879	389 260 2036	00285	13	198.910	393 350 0040	00430	20	199.053	387 350 1323	00430	30
198.879	389 260 2036	00295	13	198.910	393 350 0040	00540	27	199.053	387 350 1323	00540	9
198.879	389 260 2036	00325	13	198.911	395 981 0287	00430	25	199.054	355 350 0227	00430	30
198.879	389 260 2036	00335	13	198.911	395 981 0287	00540	30	199.054	355 350 0227	00540	9
198.879	389 260 2036	00355	13	198.912	CEI 198912	00440	41	199.055	354 350 0123	00610	16
198.879	389 260 2036	00365	13	198.915	CEI 198915	00450	12	199.062	355 350 1827	00420	13
198.879	389 260 2036	00375	13	198.915	CEI 198915	00550	18	199.062	355 350 1827	00460	13
198.879	389 260 2036	00385	13	198.917	305 350 0454	00720	8	199.062	355 350 1827	00480	13
198.880	389 260 0197	00165	7	198.919	355 350 0709	00720	11	199.063	385 350 1427	00490	7
198.881	389 260 0397	00165	7	198.920	305 350 0209	00720	11	199.063	385 350 1427	00580	9
198.882	389 260 0936	00165	10	198.921	651 350 0054	00720	8	199.064	615 350 3023	00490	7
198.882	389 260 0936	00185	10	198.922	346 350 7533	00720	10	199.064	615 350 3023	00580	9
198.882	389 260 0936	00195	10	198.922	346 350 7533	00720	10	199.065	387 350 2123	00490	7
198.882	389 260 0936	00215	10	198.922	346 350 7533	00730	10	199.065	387 350 2123	00580	9
198.882	389 260 0936	00255	10	198.923	346 350 7433	00720	10	199.075	302 350 1823	00610	16
198.883	389 260 0497	00185	7	198.923	346 350 7433	00730	10	199.076	338 350 0727	00610	16
198.883	389 260 0497	00195	7	198.924	355 350 1409	00720	11	199.081	346 350 2327	00440	13
198.883	389 260 0497	00215	7	198.925	355 350 0254	00730	8	199.095	CEI 199095	00430	30
198.883	389 260 0497	00235	7	198.926	305 350 0354	00730	8	199.095	CEI 199095	00540	9
198.883	389 260 0497	00255	7	198.928	355 350 0809	00730	11	199.096	387 350 5923	00430	30
198.884	389 260 0297	00185	7	198.929	305 350 0109	00730	11	199.096	387 350 5923	00540	9
198.884	389 260 0297	00195	7	198.930	653 350 0054	00730	8	199.097	355 353 0408	00430	34
198.884	389 260 0297	00215	7	198.931	346 350 1709	00730	11	199.098	355 353 0107	00430	35
198.884	389 260 0297	00255	7	198.932	355 350 1509	00720	11	199.099	387 350 0020	00430	37
198.885	655 260 0097	00265	7	198.933	355 350 5133	00720	10	199.099	387 350 0020	00540	39

All original equipment manufacturers numbers, symbols, pictures, models and description used in this catalogue are for reference only, and it is not implied that any part listed is the product of these manufacturers.
Tutti i nostri particolari non sono originali ma con essi intercambiabili. I riferimenti originali, le figure, i modelli sono esposti a semplice titolo indicativo. La nostra produzione riporta il nostro marchio.

CEI Index

CEI no.	MB no.	Tab.	Fig.	CEI no.	MB no.	Tab.	Fig.	CEI no.	MB no.	Tab.	Fig.
199.100	355 353 0807	00540	37	199.307	676 350 1923	00660	8	244.041	629 264 0020	00060	65
199.101	346 350 6623	00450	29	199.308	676 350 3123	00660	8	244.050	389 262 1014	00060	20
199.102	346 353 0208	00450	33	199.309	676 350 3223	00660	8	244.055	385 260 0944	00020	17
199.103	346 353 0307	00450	34	199.310	676 350 2023	00660	8	244.056	385 260 0744	00020	21
199.104	942 350 0303	00450	36	199.311	676 350 2123	00660	8	244.057	385 262 0611	00020	25
199.105	346 350 0827	00450	29	199.312	676 350 3323	00660	8	244.061	972 262 0713	00100	25
199.106	346 350 8223	00550	9	199.313	676 350 3423	00660	8	244.062	974 262 0114	00100	15
199.107	346 350 2127	00550	9	199.314	652 350 0923	00580	9	244.063	974 262 0116	00100	11
199.108	393 350 2623	00550	9	199.314	652 350 0923	00670	8	244.064	972 262 0312	00100	29
199.109	346 353 0807	00550	41	199.315	652 350 1023	00670	8	244.065	974 262 0111	00100	40
199.110	346 353 0907	00550	41	199.316	652 350 0223	00670	8	244.066	970 262 1114	00110	15
199.111	395 350 8720	00550	43	199.317	652 350 1123	00670	8	244.066	970 262 1114	00130	16
199.112	942 350 0703	00550	43	199.318	615 350 2923	00580	9	244.066	970 262 1114	00150	16
199.113	346 350 1127	00550	9	199.319	942 351 0108	00520	8	244.067	976 262 1411	00110	38
199.253	615 350 3123	00490	7	199.320	389 350 2520	00540	39	244.067	976 262 1411	00130	44
199.253	615 350 3123	00580	9	199.321	CEI 199321	00540	9	244.067	976 262 1411	00150	41
199.275	CEI 199275	00550	9	199.322	310 350 0823	00590	7	244.070	444 262 0016	00150	12
199.276	CEI 199276	00550	9	199.323	902 350 0123	00640	7	244.071	976 262 1016	00130	10
199.277	942 350 1823	00550	9	199.324	948 350 0023	00700	19	244.072	694 262 0115	00110	11
199.278	942 350 1923	00550	9	235.899	360 353 0319	00610	8	244.079	656 262 0117	00340	20
199.284	309 350 0427	00590	7	244.011	970 262 0311	00130	43	244.080	656 262 0910	00340	16
199.285	309 350 3623	00590	7	244.012	970 262 1012	00110	28	244.081	656 262 0112	00340	24
199.286	309 350 6323	00590	7	244.012	970 262 1012	00130	31	244.082	656 262 0111	00340	27
199.287	310 350 0723	00590	7	244.012	970 262 1012	00150	30	244.083	930 262 2217	00360	18
199.288	385 350 0427	00470	9	244.020	389 260 8908	00260	18	244.084	930 262 0613	00360	22
199.288	385 350 0427	00570	8	244.031	930 262 0112	00390	17	244.085	945 262 6812	00360	26
199.289	385 350 4923	00470	9	244.031	930 262 0112	00400	17	244.085	945 262 6812	00380	26
199.289	385 350 4923	00570	8	244.032	930 262 0511	00390	21	244.086	930 262 0611	00360	30
199.290	675 350 1323	00470	9	244.032	930 262 0511	00400	21	244.086	930 262 0611	00380	30
199.290	675 350 1323	00570	8	244.034	947 262 2012	00270	17	244.087	930 262 0513	00380	22
199.293	355 353 0708	00430	34	244.034	947 262 2012	00310	17	244.088	930 262 2417	00380	18
199.294	316 350 0227	00600	7	244.035	947 262 5310	00270	21	244.091	385 353 0085	00460	11
199.295	380 350 0027	00600	7	244.035	947 262 5310	00310	21	244.091	385 353 0085	00480	11
199.296	380 350 0523	00600	7	244.037	389 262 1615	00200	16	244.092	970 262 0433	00120	42
199.297	669 350 0623	00600	7	244.037	389 262 1615	00220	16	244.092	970 262 0433	00130	47
199.298	322 350 0927	00560	8	244.038	389 262 3311	00200	39	244.119	947 262 3510	00310	4
199.299	383 350 2123	00560	8	244.038	389 262 3311	00220	38	245.020	942 353 0215	00530	2
199.300	942 351 0008	00520	8	244.038	389 262 3311	00240	36	269.032	946 353 0024	00710	15
199.301	387 350 6023	00540	9	244.038	389 262 3311	00300	36	269.033	946 353 0062	00710	13
199.302	361 350 7223	00620	8	244.039	389 262 2233	00200	42	269.034	948 353 0062	00700	14
199.303	352 350 2623	00620	8	244.039	389 262 2233	00220	43	269.035	948 353 0024	00700	16
199.304	901 350 0023	00640	7	244.039	389 262 2233	00240	41	269.127	942 353 0062	00500	11
199.305	970 353 0101	00650	7	244.039	389 262 2233	00300	41	269.127	942 353 0062	00520	11

Date

04 / 2011

Table

Index

CEI no.	MB no.	Tab.	Fig.	CEI no.	MB no.	Tab.	Fig.	CEI no.	MB no.	Tab.	Fig.
269.128	CEI 269128	00500	18	269.229	389 262 2254	00410	1	269.242	389 262 3252	00360	52
269.128	CEI 269128	00520	18	269.230	389 262 2352	00410	9	269.242	389 262 3252	00370	55
269.129	CEI 269129	00500	12	269.230	389 262 2352	00410	15	269.242	389 262 3252	00380	52
269.129	CEI 269129	00520	12	269.231	389 262 2454	00410	1	269.242	389 262 3252	00410	9
269.133	CEI 269133	00530	21	269.232	389 262 2555	00280	56	269.242	389 262 3252	00410	15
269.133	CEI 269133	00550	37	269.232	389 262 2555	00315	31	269.242	389 262 3252	00410	40
269.133	CEI 269133	00690	18	269.232	389 262 2555	00330	56	269.243	389 262 3254	00280	56
269.179	CEI 269179	00680	20	269.232	389 262 2555	00340	47	269.243	389 262 3254	00315	31
269.182	CEI 269182	00530	19	269.232	389 262 2555	00360	52	269.243	389 262 3254	00320	66
269.182	CEI 269182	00550	39	269.232	389 262 2555	00370	55	269.243	389 262 3254	00330	56
269.182	CEI 269182	00690	20	269.232	389 262 2555	00380	52	269.243	389 262 3254	00340	47
269.184	346 353 2662	00440	10	269.232	389 262 2555	00395	36	269.243	389 262 3254	00360	52
269.199	947 262 0362	00175	6	269.232	389 262 2555	00405	36	269.243	389 262 3254	00370	55
269.213	389 262 0056	00410	15	269.232	389 262 2555	00410	40	269.243	389 262 3254	00380	52
269.214	389 262 0255	00410	3	269.233	389 262 2655	00280	56	269.243	389 262 3254	00395	36
269.215	389 262 0256	00410	15	269.233	389 262 2655	00315	31	269.243	389 262 3254	00405	36
269.216	389 262 0456	00410	15	269.233	389 262 2655	00320	66	269.243	389 262 3254	00410	9
269.217	389 262 0551	00410	9	269.233	389 262 2655	00330	56	269.243	389 262 3254	00410	15
269.218	389 262 0555	00410	3	269.233	389 262 2655	00340	47	269.243	389 262 3254	00410	40
269.219	389 262 0656	00410	15	269.233	389 262 2655	00360	52	269.244	389 262 3351	00410	10
269.220	389 262 0855	00410	3	269.233	389 262 2655	00370	55	269.245	389 262 3352	00280	56
269.221	389 262 0856	00410	15	269.233	389 262 2655	00380	52	269.245	389 262 3352	00315	31
269.222	389 262 0955	00410	3	269.233	389 262 2655	00395	36	269.245	389 262 3352	00320	66
269.223	389 262 1056	00410	15	269.233	389 262 2655	00405	36	269.245	389 262 3352	00330	56
269.224	389 262 1256	00410	15	269.233	389 262 2655	00410	40	269.245	389 262 3352	00340	47
269.225	389 262 1555	00410	9	269.234	389 262 2751	00410	10	269.245	389 262 3352	00360	52
269.225	389 262 1555	00410	15	269.235	389 262 2754	00410	9	269.245	389 262 3352	00370	55
269.226	389 262 1952	00410	9	269.235	389 262 2754	00410	15	269.245	389 262 3352	00380	52
269.226	389 262 1952	00410	15	269.236	389 262 2854	00410	9	269.245	389 262 3352	00395	36
269.227	389 262 2052	00280	56	269.236	389 262 2854	00410	15	269.245	389 262 3352	00405	36
269.227	389 262 2052	00315	31	269.237	389 262 2951	00410	10	269.245	389 262 3352	00410	15
269.227	389 262 2052	00320	66	269.238	389 262 3052	00410	9	269.245	389 262 3352	00410	40
269.227	389 262 2052	00330	56	269.238	389 262 3052	00410	15	269.246	389 262 3354	00280	56
269.227	389 262 2052	00340	47	269.239	389 262 3055	00410	1	269.246	389 262 3354	00315	31
269.227	389 262 2052	00360	52	269.239	389 262 3055	00410	3	269.246	389 262 3354	00320	66
269.227	389 262 2052	00370	55	269.240	389 262 3151	00410	10	269.246	389 262 3354	00330	56
269.227	389 262 2052	00380	52	269.241	389 262 3152	00410	9	269.246	389 262 3354	00340	47
269.227	389 262 2052	00395	36	269.241	389 262 3152	00410	15	269.246	389 262 3354	00360	52
269.227	389 262 2052	00405	36	269.242	389 262 3252	00280	56	269.246	389 262 3354	00370	55
269.227	389 262 2052	00410	9	269.242	389 262 3252	00315	31	269.246	389 262 3354	00380	52
269.227	389 262 2052	00410	15	269.242	389 262 3252	00320	66	269.246	389 262 3354	00395	36
269.227	389 262 2052	00410	40	269.242	389 262 3252	00330	56	269.246	389 262 3354	00405	36
269.228	389 262 2054	00410	1	269.242	389 262 3252	00340	47	269.246	389 262 3354	00410	9

All original equipment manufacturers numbers, symbols, pictures, models and description used in this catalogue are for reference only, and it is not implied that any part listed is the product of these manufacturers. Tutti i nostri particolari non sono originali ma con essi intercambiabili. I riferimenti originali, le figure, i modelli sono esposti a semplice titolo indicativo. La nostra produzione riporta il nostro marchio.

CEI Index

CEI no.	MB no.	Tab.	Fig.	CEI no.	MB no.	Tab.	Fig.	CEI no.	MB no.	Tab.	Fig.
269.246	389 262 3354	00410	9	269.266	389 262 5052	00410	29	269.288	389 263 8352	00410	3
269.246	389 262 3354	00410	15	269.267	389 262 5151	00410	10	269.288	389 263 8352	00410	4
269.246	389 262 3354	00410	40	269.268	389 262 5552	00410	7	269.289	406 337 0252	00410	3
269.247	389 262 3454	00410	9	269.268	389 262 5552	00410	14	269.289	406 337 0252	00410	4
269.247	389 262 3454	00410	15	269.269	389 262 5752	00410	7	269.290	406 337 0352	00410	3
269.248	389 262 3551	00410	10	269.269	389 262 5752	00410	14	269.290	406 337 0352	00410	4
269.249	389 262 3554	00280	56	269.269	389 262 5752	00410	14	269.292	389 262 0851	00410	10
269.249	389 262 3554	00315	31	269.271	389 262 5952	00410	7	269.293	389 262 1051	00410	10
269.249	389 262 3554	00320	66	269.271	389 262 5952	00410	14	269.294	389 262 1251	00410	10
269.249	389 262 3554	00330	56	269.273	389 262 6454	00410	7	269.295	389 262 2355	00320	66
269.249	389 262 3554	00340	47	269.274	389 262 7754	00410	27	269.295	389 262 2355	00340	47
269.249	389 262 3554	00360	52	269.274	389 262 7754	00410	29	269.295	389 262 2355	00360	52
269.249	389 262 3554	00370	55	269.275	389 262 7854	00410	27	269.295	389 262 2355	00370	55
269.249	389 262 3554	00380	52	269.276	389 262 7954	00410	7	269.295	389 262 2355	00380	52
269.249	389 262 3554	00395	36	269.276	389 262 7954	00410	14	269.295	389 262 2355	00410	9
269.249	389 262 3554	00405	36	269.277	389 262 2155	00410	9	269.295	389 262 2355	00410	15
269.249	389 262 3554	00410	9	269.277	389 262 2155	00410	15	269.295	389 262 2355	00410	40
269.249	389 262 3554	00410	15	269.278	389 263 0062	00160	46	269.296	389 262 3552	00410	19
269.249	389 262 3554	00410	15	269.278	389 263 0062	00180	44	269.296	389 262 3552	00410	36
269.249	389 262 3554	00410	40	269.278	389 263 0062	00190	50	269.297	389 262 5652	00410	7
269.250	389 262 3555	00410	1	269.278	389 263 0062	00210	50	269.297	389 262 5652	00410	14
269.250	389 262 3555	00410	3	269.278	389 263 0062	00230	49	269.338	389 262 2151	00410	10
269.251	389 262 3654	00410	9	269.278	389 263 0062	00250	44	269.339	389 262 1951	00410	10
269.251	389 262 3654	00410	15	269.278	389 263 0062	00410	36	269.340	389 262 2051	00410	10
269.252	389 262 3751	00410	10	269.278	389 263 0062	00410	37	269.341	389 262 1851	00410	10
269.253	389 262 3852	00410	19	269.279	389 263 0552	00410	19	269.342	389 262 0951	00410	10
269.253	389 262 3852	00410	36	269.279	389 263 0552	00410	36	269.343	389 262 1151	00410	10
269.254	389 262 3951	00410	10	269.280	389 263 4052	00410	19	269.347	317 262 4462	00020	8
269.255	389 262 3954	00410	26	269.280	389 263 4052	00410	36	269.348	317 262 4662	00020	8
269.256	389 262 4055	00410	1	269.281	389 263 4252	00410	19	269.349	317 262 4862	00020	8
269.256	389 262 4055	00410	3	269.281	389 263 4252	00410	36	269.350	317 262 5062	00020	8
269.257	389 262 4151	00410	10	269.282	389 263 4452	00410	19	269.351	004 262 0062	00025	2
269.258	389 262 4152	00410	1	269.282	389 263 4452	00410	36	269.352	385 263 0353	00020	64
269.259	389 262 4351	00410	10	269.283	389 263 4652	00410	19	269.353	972 262 0262	00100	13
269.260	389 262 4452	00410	1	269.283	389 263 4652	00410	36	269.358	970 262 0162	00120	13
269.261	389 262 4551	00410	10	269.284	389 263 5052	00410	19	269.366	385 263 0062	00020	67
269.262	389 262 4751	00410	10	269.284	389 263 5052	00410	36	269.367	976 262 0462	00110	13
269.263	389 262 4752	00410	27	269.285	389 263 5352	00410	3	269.367	976 262 0462	00130	14
269.263	389 262 4752	00410	29	269.285	389 263 5352	00410	4	269.367	976 262 0462	00150	14
269.264	389 262 4951	00410	10	269.286	389 263 6352	00410	3	269.368	976 262 0052	00140	27
269.265	389 262 4952	00410	27	269.286	389 263 6352	00410	4	269.369	001 981 9680	00140	53
269.265	389 262 4952	00410	29	269.287	389 263 7352	00410	3	269.370	389 262 6352	00160	39
269.266	389 262 5052	00410	27	269.287	389 263 7352	00410	4	269.370	389 262 6352	00410	20

Date

04 / 2011

Table

Index

CEI no.	MB no.	Tab.	Fig.	CEI no.	MB no.	Tab.	Fig.	CEI no.	MB no.	Tab.	Fig.
269.371	947 261 0065	00170	2	269.413	389 262 8055	00410	1	269.451	389 262 3851	00410	10
269.375	389 262 1862	00200	19	269.414	389 262 8155	00410	1	269.452	389 262 4051	00410	10
269.375	389 262 1862	00220	18	269.415	389 262 8255	00410	1	269.453	389 262 4251	00410	10
269.375	389 262 1862	00240	17	269.416	389 262 8355	00410	1	269.454	389 262 4451	00410	10
269.375	389 262 1862	00300	17	269.417	389 262 8455	00410	1	269.455	389 262 4651	00410	10
269.379	314 353 0962	00600	12	269.418	389 262 8555	00410	1	269.456	389 262 4851	00410	10
269.380	380 353 0162	00600	12	269.419	389 262 8655	00410	1	269.457	389 262 5051	00410	10
269.381	314 353 0224	00600	14	269.420	389 262 8855	00410	1	269.458	389 263 6552	00410	3
269.382	380 353 0024	00600	14	269.421	389 262 9055	00410	1	269.458	389 263 6552	00410	4
269.383	343 353 0153	00630	31	269.422	389 263 3252	00410	3	269.459	389 263 6652	00410	3
269.384	327 353 3052	00610	23	269.422	389 263 3252	00410	4	269.459	389 263 6652	00410	4
269.385	327 353 6552	00610	30	269.423	389 263 3352	00410	9	269.460	389 263 6752	00410	3
269.386	676 353 0162	00470	14	269.430	389 263 5252	00410	3	269.460	389 263 6752	00410	4
269.386	676 353 0162	00560	13	269.430	389 263 5252	00410	3	269.461	389 263 6852	00410	3
269.386	676 353 0162	00560	19	269.430	389 263 5252	00410	4	269.461	389 263 6852	00410	4
269.386	676 353 0162	00570	13	269.431	389 263 5452	00410	3	269.462	389 263 6952	00410	3
269.386	676 353 0162	00650	15	269.431	389 263 5452	00410	4	269.462	389 263 6952	00410	4
269.386	676 353 0162	00660	13	269.432	389 263 5552	00410	3	269.463	389 263 7052	00410	3
269.387	942 353 0228	00510	11	269.432	389 263 5552	00410	4	269.463	389 263 7052	00410	4
269.387	942 353 0228	00530	14	269.433	389 263 5652	00410	3	269.464	389 263 7152	00410	3
269.388	669 353 1762	00590	12	269.433	389 263 5652	00410	4	269.464	389 263 7152	00410	4
269.389	669 353 1362	00590	12	269.434	389 263 5752	00410	3	269.465	389 263 7252	00410	3
269.391	668 353 0024	00640	13	269.434	389 263 5752	00410	4	269.465	389 263 7252	00410	4
269.393	611 353 5152	00640	11	269.435	389 263 5852	00410	3	269.466	389 263 7452	00410	3
269.394	611 353 0252	00640	11	269.435	389 263 5852	00410	4	269.466	389 263 7452	00410	4
269.395	611 353 5252	00640	11	269.436	389 263 5952	00410	3	269.467	389 263 7552	00410	3
269.396	611 353 0352	00640	11	269.436	389 263 5952	00410	4	269.467	389 263 7552	00410	4
269.397	611 353 5352	00640	11	269.437	389 263 6052	00410	3	269.468	389 263 7652	00410	3
269.398	611 353 0452	00640	11	269.437	389 263 6052	00410	4	269.468	389 263 7652	00410	4
269.399	611 353 5452	00640	11	269.438	389 263 6152	00410	3	269.469	389 263 7752	00410	3
269.400	611 353 0552	00640	11	269.438	389 263 6152	00410	4	269.469	389 263 7752	00410	4
269.401	611 353 5552	00640	11	269.439	389 263 6252	00410	3	269.470	389 263 7852	00410	3
269.402	611 353 0652	00640	11	269.439	389 263 6252	00410	4	269.470	389 263 7852	00410	4
269.403	611 353 0052	00640	11	269.440	389 263 6452	00410	3	269.471	389 263 7952	00410	3
269.404	611 353 0752	00640	11	269.440	389 263 6452	00410	4	269.471	389 263 7952	00410	4
269.405	611 353 0152	00640	11	269.441	389 262 1754	00410	7	269.472	389 263 8052	00410	3
269.406	389 262 1954	00410	1	269.442	389 262 6554	00410	7	269.472	389 263 8052	00410	4
269.407	389 262 2154	00410	1	269.445	389 262 1751	00410	10	269.473	389 263 8152	00410	3
269.408	389 262 2354	00410	1	269.446	389 262 2851	00410	10	269.473	389 263 8152	00410	4
269.409	389 262 2554	00410	1	269.447	389 262 3051	00410	10	269.474	389 263 8252	00410	3
269.410	389 262 7755	00410	1	269.448	389 262 3251	00410	10	269.474	389 263 8252	00410	4
269.411	389 262 7855	00410	1	269.449	389 262 3451	00410	10	269.475	389 263 8452	00410	3
269.412	389 262 7955	00410	1	269.450	389 262 3651	00410	10	269.475	389 263 8452	00410	4

All original equipment manufacturers numbers, symbols, pictures, models and description used in this catalogue are for reference only, and it is not implied that any part listed is the product of these manufacturers.
Tutti i nostri particolari non sono originali ma con essi intercambiabili. I riferimenti originali, le figure, i modelli sono esposti a semplice titolo indicativo. La nostra produzione riporta il nostro marchio.

CEI Index

CEI no.	MB no.	Tab.	Fig.	CEI no.	MB no.	Tab.	Fig.	CEI no.	MB no.	Tab.	Fig.
269.476	389 263 8552	00410	3	269.517	389 262 1855	00410	9	269.546	389 262 4255	00410	1
269.476	389 263 8552	00410	4	269.517	389 262 1855	00410	15	269.546	389 262 4255	00410	3
269.477	389 263 8652	00410	3	269.518	389 262 1955	00410	9	269.547	389 262 4455	00410	1
269.477	389 263 8652	00410	4	269.519	389 262 2255	00410	9	269.547	389 262 4455	00410	3
269.478	389 262 7252	00410	7	269.519	389 262 2255	00410	15	269.548	389 262 4555	00410	1
269.479	389 262 7152	00410	7	269.519	389 262 2255	00410	15	269.548	389 262 4555	00410	3
269.480	389 262 7052	00410	7	269.520	389 262 2351	00410	14	269.549	389 262 4655	00410	1
269.481	389 262 6952	00410	7	269.521	389 262 2455	00410	9	269.549	389 262 4655	00410	3
269.482	389 262 6852	00410	7	269.521	389 262 2455	00410	15	269.550	389 262 4755	00410	1
269.483	389 262 0154	00410	7	269.522	389 262 2654	00410	1	269.550	389 262 4755	00410	3
269.484	389 262 0354	00410	7	269.523	389 262 2952	00410	9	269.551	389 262 4855	00410	1
269.485	389 262 0554	00410	7	269.523	389 262 2952	00410	15	269.551	389 262 4855	00410	3
269.486	389 262 0754	00410	7	269.524	389 262 3155	00410	1	269.552	389 262 4955	00410	1
269.487	389 262 0954	00410	7	269.524	389 262 3155	00410	3	269.552	389 262 4955	00410	3
269.488	389 262 1154	00410	7	269.525	389 262 3255	00410	1	269.553	389 262 5055	00410	1
269.489	389 262 1354	00410	7	269.525	389 262 3255	00410	3	269.553	389 262 5055	00410	3
269.490	389 262 1554	00410	7	269.526	389 262 3355	00410	1	269.554	389 262 5155	00410	1
269.491	389 262 7654	00410	27	269.526	389 262 3355	00410	3	269.554	389 262 5155	00410	3
269.491	389 262 7654	00410	29	269.527	389 262 3455	00410	1	269.555	389 262 5255	00410	1
269.492	389 262 5152	00410	27	269.527	389 262 3455	00410	3	269.555	389 262 5255	00410	3
269.492	389 262 5152	00410	29	269.528	389 262 3655	00410	1	269.556	389 262 5355	00410	1
269.493	385 283 3152	00410	36	269.528	389 262 3655	00410	3	269.556	389 262 5355	00410	3
269.494	389 283 0052	00410	36	269.529	389 262 3755	00410	1	269.557	389 262 5455	00410	1
269.495	389 263 1952	00410	36	269.529	389 262 3755	00410	3	269.557	389 262 5455	00410	3
269.496	389 263 2052	00410	36	269.530	389 262 3855	00410	1	269.558	389 262 5555	00410	1
269.497	389 263 2152	00410	36	269.530	389 262 3855	00410	3	269.558	389 262 5555	00410	3
269.498	389 263 2252	00410	36	269.531	389 262 3955	00410	1	269.559	389 262 5655	00410	1
269.499	389 263 2352	00410	36	269.531	389 262 3955	00410	3	269.559	389 262 5655	00410	3
269.500	389 263 2452	00410	36	269.532	389 262 4155	00410	1	269.560	389 262 5755	00410	1
269.501	389 263 2552	00410	36	269.532	389 262 4155	00410	3	269.560	389 262 5755	00410	3
269.502	389 263 2652	00410	36	269.533	389 262 4355	00410	1	269.561	389 262 5855	00410	1
269.503	389 263 2752	00410	36	269.533	389 262 4355	00410	3	269.561	389 262 5855	00410	3
269.504	389 263 2852	00410	36	269.534	389 262 4852	00410	27	269.562	389 262 5955	00410	1
269.508	674 353 0262	00600	12	269.534	389 262 4852	00410	29	269.562	389 262 5955	00410	3
269.511	000 262 8662	00410	58	269.535	389 262 9654	00410	3	269.563	389 262 0755	00410	3
269.512	389 262 1355	00410	15	269.536	659 283 4652	00410	29	269.564	389 262 0655	00410	3
269.513	389 262 1455	00410	9	269.537	389 262 2055	00410	9	269.565	389 262 0155	00410	3
269.513	389 262 1455	00410	15	269.537	389 262 2055	00410	15	269.566	389 262 2954	00410	7
269.514	389 262 1655	00410	9	269.538	389 263 4552	00410	19	269.566	389 262 2954	00410	14
269.514	389 262 1655	00410	15	269.538	389 263 4552	00410	36	269.567	389 262 3054	00410	7
269.515	389 262 1656	00410	15	269.540	389 263 4952	00410	19	269.567	389 262 3054	00410	14
269.516	389 262 1755	00410	9	269.540	389 263 4952	00410	36	269.568	389 262 5852	00410	7
269.516	389 262 1755	00410	15	269.543	945 262 0362	00290	46	269.568	389 262 5852	00410	14

Date

04 / 2011

Table

Index

CEI no.	MB no.	Tab.	Fig.	CEI no.	MB no.	Tab.	Fig.	CEI no.	MB no.	Tab.	Fig.
269.569	389 262 2752	00410	9	280.587	389 260 0690	00255	22	280.743	346 350 7220	00550	1
269.570	389 262 2552	00410	9	280.587	389 260 0690	00265	26	280.744	346 350 9903	00550	1
269.571	389 262 2252	00410	9	280.587	389 260 0690	00275	16	280.745	346 350 7020	00550	1
269.572	389 262 2152	00410	9	280.587	389 260 0690	00285	26	280.746	397 350 0120	00550	1
269.573	389 262 9555	00410	15	280.587	389 260 0690	00295	26	280.747	393 350 7720	00550	1
269.574	389 262 9455	00410	15	280.587	389 260 0690	00315	16	280.748	655 350 7820	00550	1
269.575	389 262 9355	00410	15	280.587	389 260 0690	00325	26	280.749	343 352 0841	00630	33
269.576	389 262 9755	00410	15	280.587	389 260 0690	00335	26	280.750	343 350 0741	00630	34
269.577	389 262 9855	00410	15	280.587	389 260 0690	00355	26	280.751	QPM350000101	00650	1
269.578	389 262 1456	00410	15	280.587	389 260 0690	00365	26	280.752	QPM700000011	00650	1
269.579	389 262 1356	00410	15	280.587	389 260 0690	00375	26	280.753	QPM350000097	00650	1
269.580	389 262 0956	00410	15	280.587	389 260 0690	00385	26	280.754	QPM700000006	00650	1
269.581	389 262 1156	00410	15	280.587	389 260 0690	00395	26	280.755	QPM350000075	00650	1
269.582	389 262 0756	00410	15	280.587	389 260 0690	00405	26	280.756	QPM700000014	00650	1
269.583	389 262 0556	00410	15	280.708	385 260 0290	00020	2	280.757	QPM350000095	00650	1
269.584	389 262 0356	00410	15	280.709	385 260 0390	00020	2	280.758	QPM700000012	00650	1
269.585	389 262 0156	00410	15	280.709	385 260 0390	00020	2	280.759	QPM700000013	00650	1
269.586	389 262 9955	00410	15	280.717	387 350 7003	00430	1	280.760	QPM700000007	00650	1
269.587	389 262 3652	00410	19	280.718	387 350 7103	00430	1	280.761	QPM350000099	00650	1
269.587	389 262 3652	00410	36	280.719	387 350 3503	00430	1	280.762	QPM700000005	00650	1
269.588	389 262 3752	00410	19	280.720	387 350 6303	00430	1	280.763	QPM350000102	00650	1
269.588	389 262 3752	00410	36	280.721	387 350 2603	00430	1	280.764	QPM700000001	00650	1
269.589	389 262 3952	00410	19	280.722	387 350 5303	00430	1	280.765	QPM350000243	00700	1
269.589	389 262 3952	00410	36	280.723	387 350 8603	00430	1	280.766	QPM350000303	00700	1
269.590	389 263 4152	00410	19	280.724	346 350 2703	00450	1	280.767	QPM350000211	00700	1
269.590	389 263 4152	00410	36	280.725	346 350 2720	00450	1	280.768	QPM350000310	00700	1
269.591	389 263 4352	00410	19	280.726	655 350 0320	00450	1	280.769	QPM350000302	00700	1
269.591	389 263 4352	00410	36	280.727	346 350 2520	00450	1	280.770	QPM350000287	00700	1
269.592	389 263 4752	00410	19	280.728	655 350 1220	00450	1	280.771	QPM350000331	00700	1
269.592	389 263 4752	00410	36	280.729	346 350 8820	00450	1	280.772	QPM350000213	00700	1
269.593	659 283 4852	00410	29	280.730	387 350 2520	00540	1	280.773	QPM350000309	00700	1
269.594	659 283 5052	00410	29	280.731	387 350 2820	00540	1	280.774	QPM350000220	00700	1
269.595	659 283 5152	00410	29	280.732	387 350 3020	00540	1	287.039	385 262 0026	00020	41
269.596	659 283 5452	00410	29	280.733	387 350 2620	00540	1	287.039	385 262 0026	00020	52
269.597	659 283 5552	00410	29	280.734	305 350 9520	00540	1	287.040	357 990 0079	00025	5
269.598	389 263 8852	00410	36	280.735	387 350 2720	00540	1	287.043	976 990 0150	00140	11
269.602	615 353 0462	00670	13	280.736	381 350 0920	00540	1	287.050	385 353 1025	00460	32
280.587	389 260 0690	00165	22	280.737	387 350 3120	00540	1	287.050	385 353 1025	00480	35
280.587	389 260 0690	00175	22	280.738	387 350 9920	00540	1	287.051	316 353 0025	00600	4
280.587	389 260 0690	00185	22	280.739	389 350 2620	00540	1	287.052	324 353 0225	00600	9
280.587	389 260 0690	00195	22	280.740	307 350 4020	00550	1	287.053	385 353 0025	00470	3
280.587	389 260 0690	00215	22	280.741	346 350 9803	00550	1	287.054	360 353 0025	00470	8
280.587	389 260 0690	00235	24	280.742	346 350 7120	00550	1	287.054	360 353 0025	00570	10

Date

04 / 2011

Table

Index

All original equipment manufacturers numbers, symbols, pictures, models and description used in this catalogue are for reference only, and it is not implied that any part listed is the product of these manufacturers.
Tutti i nostri particolari non sono originali ma con essi intercambiabili. I riferimenti originali, le figure, i modelli sono esposti a semplice titolo indicativo. La nostra produzione riporta il nostro marchio.

CEI Index

CEI no.	MB no.	Tab.	Fig.	CEI no.	MB no.	Tab.	Fig.	CEI no.	MB no.	Tab.	Fig.
287.055	615 353 0125	00580	5	294.022	944 350 4139	00680	6	294.112	309 350 1839	00590	6
287.056	615 353 0225	00490	3	294.057	942 350 2039	00690	6	294.113	674 350 0639	00600	6
287.057	615 353 0325	00490	9	294.059	942 350 2339	00690	6	294.114	310 350 0439	00600	6
287.057	615 353 0325	00580	11	294.060	944 350 2439	00510	5	294.115	670 350 0339	00600	6
287.057	615 353 0325	00670	10	294.061	944 350 2639	00510	5	294.116	670 350 0239	00600	6
287.058	942 353 0425	00500	5	294.062	944 350 2739	00510	5	294.117	602 350 2839	00640	6
287.058	942 353 0425	00520	5	294.063	944 350 3739	00680	6	294.118	602 350 2739	00640	6
287.059	942 353 0925	00500	5	294.074	9463530810+0812	00710	6	294.119	602 350 2639	00640	6
287.059	942 353 0925	00520	5	294.075	9463530610+0612	00710	6	294.120	602 350 2939	00640	6
287.060	944 353 0225	00510	12	294.076	9463530510+0512	00710	6	294.121	676 350 0439	00660	7
287.061	944 353 0025	00510	13	294.077	9463530110+0112	00710	6	294.122	676 350 0139	00660	7
287.061	944 353 0025	00680	8	294.078	9463530210+0212	00710	6	294.123	385 350 3539	00670	7
287.063	946 353 0025	00710	8	294.079	9463530310+0312	00710	6	294.125	652 350 0539	00670	7
287.064	946 353 0125	00710	11	294.080	9463530410+0412	00710	6	294.126	9703530112+0110	00650	6
287.065	948 353 0025	00700	9	294.081	9463530710+0712	00710	6	294.127	9703530212+0210	00650	6
287.066	970 353 0025	00530	15	294.082	9463531010+1512	00710	6	294.128	9703530312+0310	00650	6
287.066	970 353 0025	00650	11	294.083	942 350 3039	00690	6	294.129	9703530412+0410	00650	6
287.066	970 353 0025	00690	8	294.088	942 350 2439	00690	6	294.130	9703530512+0510	00650	6
287.066	970 353 0025	00700	12	294.090	385 350 1239	00470	6	294.131	9703530812+0810	00650	6
287.067	317 353 0125	00620	4	294.091	385 350 1139	00470	6	294.132	9703530612+0610	00650	6
287.068	354 353 0025	00610	10	294.092	385 350 1339	00470	6	294.133	9703530712+0710	00650	6
287.068	354 353 0025	00620	10	294.093	385 350 2839	00470	6	294.134	9483530812+0810	00700	7
287.069	319 353 0825	00590	9	294.094	385 350 1039	00470	6	294.137	302 350 2439	00620	7
287.070	327 353 1025	00560	4	294.095	619 350 0039	00470	6	294.139	302 350 2139	00620	7
287.070	327 353 1025	00570	4	294.096	385 350 4439	00490	6	294.140	302 350 2739	00620	7
287.071	319 353 1025	00590	4	294.097	385 350 4239	00490	6	294.141	9483530712+0710	00700	7
287.072	674 353 0025	00650	9	294.098	385 350 3939	00490	6	294.142	9483530912+0910	00700	7
287.073	321 353 0025	00560	10	294.099	385 350 4039	00490	6	294.143	9483530612+0610	00700	7
287.073	321 353 0025	00660	10	294.100	385 350 4639	00490	6	294.144	9483530512+0510	00700	7
287.074	942 353 0225	00500	36	294.101	355 350 5439	00540	8	294.145	9483530412+0410	00700	7
287.074	942 353 0225	00520	31	294.102	307 350 0139	00550	8	294.146	9483530312+0310	00700	7
287.075	601 351 0072	00590	1	294.103	676 350 0239	00560	7	294.147	9483531212+1710	00700	7
287.076	942 353 0125	00530	12	294.103	676 350 0239	00660	7	294.148	9483530112+0110	00700	7
287.077	942 350 0143	00530	12	294.104	383 350 0739	00560	7	294.149	302 350 2239	00620	7
287.077	942 350 0143	00690	13	294.104	383 350 0739	00660	7	298.046	948 350 0123	00700	17
287.078	352 990 3601	00470	16	294.105	385 350 1639	00570	7	298.047	946 350 0040	00710	16
287.079	385 990 2301	00470	16	294.106	385 350 1539	00570	7	298.054	947 260 3036	00265	13
287.080	385 990 2401	00580	26	294.107	385 350 1739	00570	7	298.054	947 260 3036	00285	13
287.081	601 351 0172	00640	1	294.108	385 350 2739	00570	7	298.054	947 260 3036	00295	13
287.083	948 351 0172	00700	2	294.109	385 350 1939	00570	7	298.054	947 260 3036	00325	13
287.086	942 353 1025	00520	31	294.110	676 350 0339	00570	7	298.054	947 260 3036	00335	13
287.089	615 353 0025	00670	10	294.111	385 350 4339	00580	8	298.054	947 260 3036	00355	13
294.021	944 350 4039	00680	6	294.111	385 350 4339	00670	7	298.054	947 260 3036	00365	13

Date

04 / 2011

Table

Index

CEI no.	MB no.	Tab.	Fig.	CEI no.	MB no.	Tab.	Fig.	CEI no.	MB no.	Tab.	Fig.
298.054	947 260 3036	00375	13	298.220	946 350 0123	00710	17	530.827	013 981 0305	00140	13
298.054	947 260 3036	00385	13	298.221	CEI 298221	00680	21	530.828	014 981 3905	00140	3
298.054	947 260 3036	00395	13	298.222	675 350 0140	00470	15	530.829	002 981 4681	00140	63
298.054	947 260 3036	00405	13	298.222	675 350 0140	00560	22				
298.065	944 350 0623	00510	6	298.222	675 350 0140	00570	16				
298.066	944 350 0523	00680	10	298.222	675 350 0140	00660	16				
298.067	944 350 0723	00500	22	298.223	658 350 0123	00460	35				
298.068	942 350 2123	00690	10	298.223	658 350 0123	00480	38				
298.069	000 350 8023	00530	7	298.224	675 350 0040	00560	16				
298.070	942 350 2223	00520	22	298.224	675 350 0040	00660	16				
298.076	656 350 0054	00720	8	298.225	942 350 0945	00500	6				
298.093	970 260 2944	00120	25	298.225	942 350 0945	00520	6				
298.093	970 260 2944	00130	25	298.226	942 350 1645	00520	6				
298.094	970 260 2844	00120	38	298.227	668 350 0026	00640	14				
298.094	970 260 2844	00130	40	298.228	970 350 0240	00650	18				
298.095	947 260 0097	00175	2	298.229	975 357 0601	00670	19				
298.120	942 350 1545	00520	6	298.230	355 350 2533	00720	10				
298.121	942 350 1445	00500	6	298.230	355 350 2533	00730	10				
298.161	355 350 0454	00720	8	298.232	346 350 9233	00720	10				
298.163	388 350 0154	00740	8	298.233	346 350 4209	00720	11				
298.164	652 350 0054	00730	8	298.235	355 350 2109	00720	11				
298.165	653 350 0254	00730	8	298.236	346 350 6109	00720	11				
298.168	CEI 298168	00550	40	298.237	346 350 9133	00730	10				
298.180	947 260 0197	00275	2	298.238	346 350 4109	00730	11				
298.180	947 260 0197	00315	2	298.239	346 350 6009	00730	11				
298.185	947 260 0736	00175	10	298.240	346 350 2209	00740	11				
298.185	947 260 0736	00275	5	298.241	346 350 4309	00740	11				
298.185	947 260 0736	00315	5	298.250	346 350 1109K	00740	8				
298.190	381 260 0345	00010	12	298.251	346 350 2209K	00740	8				
298.191	383 260 0145	00010	53	298.252	652 350 0254	00720	8				
298.201	947 260 0536	00175	10	298.254	346 350 1109E	00740	10				
298.208	CEI 298208	00510	19	298.255	346 350 4309E	00740	10				
298.209	CEI 298209	00530	22	298.266	310 350 0040	00590	15				
298.212	309 586 0135	00590	15	530.551	008 981 2805	00180	5				
298.213	309 350 0040	00590	15	530.551	008 981 2805	00190	11				
298.214	318 586 0135	00600	15	530.551	008 981 2805	00210	11				
298.215	387 350 9723	00460	34	530.551	008 981 2805	00230	12				
298.215	387 350 9723	00480	37	530.551	008 981 2805	00250	5				
298.216	352 350 0040	00610	22	530.557	011 981 7605	00190	14				
298.216	352 350 0040	00620	16	530.557	011 981 7605	00210	14				
298.217	942 353 1545	00500	6	530.557	011 981 7605	00230	15				
298.218	970 350 0040	00670	18	530.557	011 981 7605	00260	16				
298.219	CEI 298219	00690	21	530.826	002 981 4581	00140	52				

All original equipment manufacturers numbers, symbols, pictures, models and description used in this catalogue are for reference only, and it is not implied that any part listed is the product of these manufacturers.
Tutti i nostri particolari non sono originali ma con essi intercambiabili. I riferimenti originali, le figure, i modelli sono esposti a semplice titolo indicativo. La nostra produzione riporta il nostro marchio.

Ai Clienti / Importatori / Distributori prodotti C.E.I. S.p.A.:

“CONFORMITA’ A LEGGI E/O REGOLAMENTI SPECIFICI DELLA NAZIONE IMPORTATRICE”

C.E.I. S.p.A. assicura che i propri prodotti sono conformi alle Leggi e Regolamenti del Mercato Europeo e declina ogni responsabilità per applicazioni soggette a Leggi e Regolamenti specifici del Paese importatore, lasciando allo stesso la responsabilità di verificare la conformità del prodotto C.E.I. S.p.A. ai vincoli cogenti di Leggi e/o Regolamenti locali.

C.E.I. S.p.A. si dichiara disponibile, su richiesta del cliente, a valutare la possibilità di adeguare i propri prodotti ad eventuali specifiche esigenze che ci venissero sottoposte.

To Customer / Importers / Distributors of CEI Spa products :

“COMPLIANCE WITH LAWS AND/OR SPECIFIC REGULATIONS OF THE IMPORT COUNTRY”

C.E.I. S.p.A. ensures that its products conform to the laws and regulations of the European Community and declines any responsibility for applications subject to specific laws and regulations of the import country which is responsible to ascertain the conformity of CEI S.p.A. products to the local laws and/or regulations in force.

C.E.I. S.p.A. is available to evaluate the possibility of adapting its products for specific applications on request, should the need arise from any customer.

Aux clients / importateurs / distributeurs produits C.E.I. S.p.A.

“CONFORMITE AUX LOIS ET/OU REGLEMENTS SPECIFIQUES DU PAYS IMPORTATEUR “

La maison C.E.I. S.p.A. assure que ses produits sont conformes aux lois et règlements de la Communauté Européenne et décline toute responsabilité pour d'applications assujetties aux lois et règlements spécifiques du pays importateur , en laissant aux mêmes la responsabilité de vérifier la conformité du produit CEI aux obligations de lois et/ou règlements en vigueur propres du pays .

La maison C.E.I. S.p.A. se déclare disposée, sur requête du client, à évaluer la possibilité de conformer ses produits à d'éventuelles exigences spécifiques qui soient demandées.

A los clientes/importadores/distribidores del los productos CEI S.p.A.

“CONFORMIDAD A LAS LEYES Y/O LAS REGLAMENTACIONES ESPECIFICAS DE LA NACION IMPORTADORA “

CEI S.p.A certifica que sus productos están conformes con la leyes y las reglamentaciones del Mercado Europeo y declina cada responsabilidad por aplicaciones sujetas a leyes y reglamentaciones específicos del país importador, dejando al mismo la responsabilidad de averiguar la conformidad del producto CEI con los vinculos en vigencia de leyes y/o reglamentaciones locales.

CEI está disponible, bajo petición del cliente a evaluar la posibilidad de conformar sus productos con eventuales exigencias específicas.