

Z.F.
Gearbox

EURO

95

CATALOGUE
Z.F.

FILE

95CBM057.pdf

SIZE

1,93MB

No. PAGES

21

RELEASE

04/2007

MODELS

ECOSPLIT II 1312

16S220 R.10,14-0,72

16S220 R.13,80-0,84

16S220 R.16,47-1,00

Updated
2007

GROUP
Gearbox

Options

ONLY FOR CD-ROM CATALOGUES



Home



Group



Back

%

Zoom
Select



Print



Page
Search



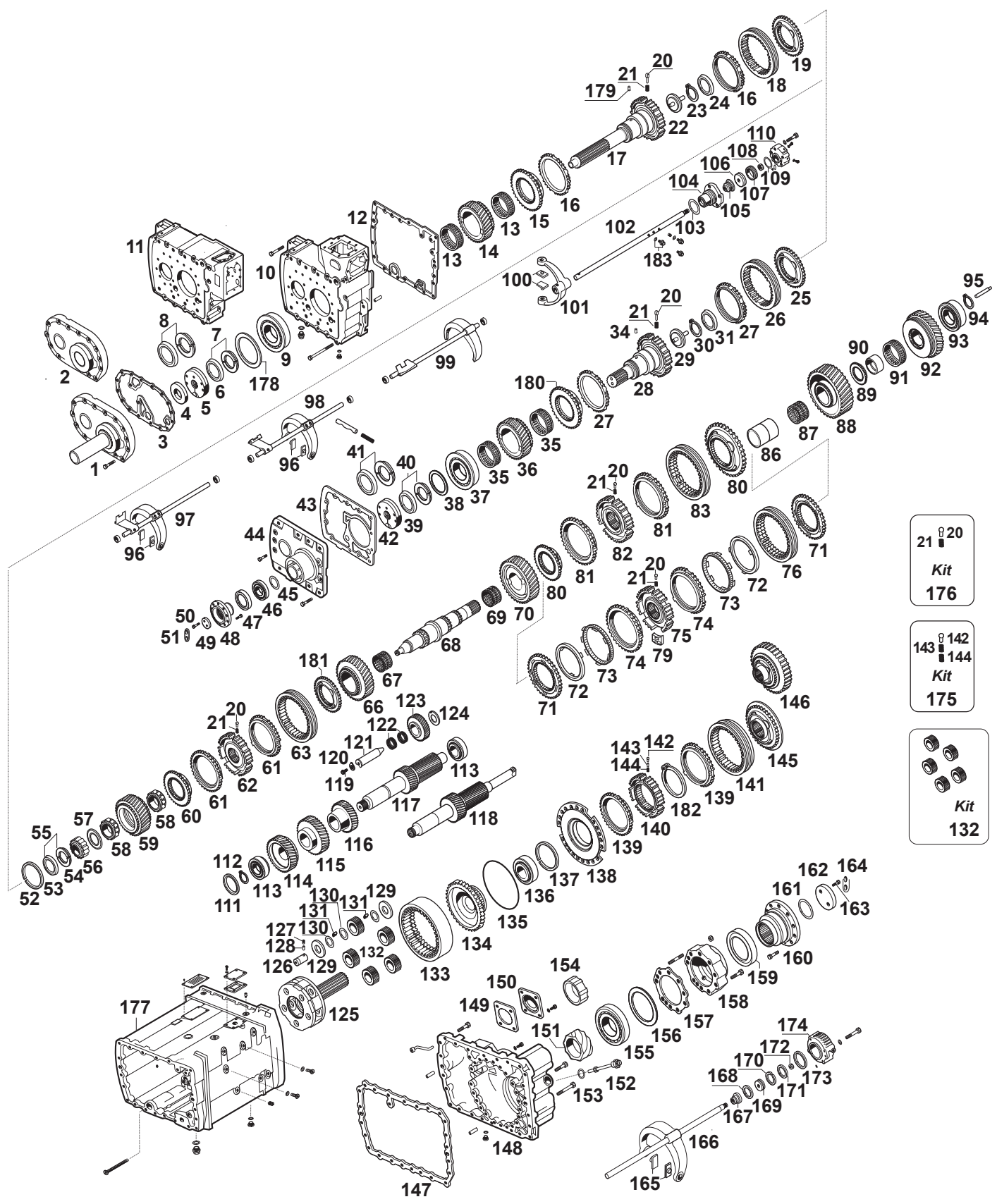
Catalogue
Search



Exit



OPTIONS



21 20
Kit
176

143 142
144
Kit
175

Kit
132



Fig.	Our No.	Part No.	Description	Note	TP	A-R-10,14-0,72	BC-R-13,80-0,84	DE-R-16,47-1,00											
1			SEE TAB 2 FRONT COVER																
2			SEE TAB 2 FRONT COVER																
3	95534112	1313 302 014	GASKET		■	■	■												
4	95531973	0734 310 387	OIL SEAL 55X75X8		●	■	■												
5	95530817	1295 202 041	OIL PUMP			■	■												
6	95570167	0730 061 816	LOCK RING			■	■												
7		1295 202 046	RING			■	■												
8	95570712	0730 106 164	SPLIT RING T.4,10 MM	OLD	■	■	■												
8		1499 298 131	SPLIT RING T.4,10 MM	NEW		■	■												
8	95570714	0730 106 166	SPLIT RING T.4,20 MM	OLD	■	■	■												
8		1499 298 133	SPLIT RING T.4,20 MM	NEW		■	■												
8	95570716	0730 106 168	SPLIT RING T.4,30 MM	OLD	■	■	■												
8		1499 298 135	SPLIT RING T.4,30 MM	NEW		■	■												
9	98530094	0750 117 431	BEARING 75X150X30,5		●	■	■												
10		1312 301 034	HOUSING			■	■												
10		1312 301 033	HOUSING			■	■												
11		1312 301 020	HOUSING	(1)OLD		■	■												
11		1312 301 021	HOUSING	NEW		■	■												
11		1312 301 024	HOUSING			■	■												
12	95534107	1313 301 038	GASKET		■	■	■												
13		0735 320 950	NEEDLE BEARING93X101X32,5			■	■												
14		1312 302 077	CONSTANT GEAR 28 T	A		■													
14	95530520	1312 302 073	CONSTANT GEAR 34 T.	BC			■												
14	95530344	1312 302 074	CONSTANT GEAR 30 T.	DE	■			■											
15	95570220	1312 304 027	SYNCHRONIZER CONE			■	■	■											
16	95570202	1297 304 402	SYNCHRONIZER RING	OLD TYPE		■	■	■											
16	95531072	1297 304 484	SYNCHRONIZER RING	NEW TYPE		■	■	■											
17		1312 202 035	INPUT SHAFT			■	■	■											
17		1312 202 036	INPUT SHAFT			■	■	■											
17	95530347	1312 202 037	INPUT SHAFT		■	■	■	■											
17	95530564	1312 202 038	INPUT SHAFT 57 T.		■	■	■	■											
17	95530525	1312 202 039	INPUT SHAFT 48 T.			■	■	■											
17		1312 221 003	INPUT SHAFT			■	■	■											
18	95570219	1310 304 202	SLIDING SLEEVE 3RD/4TH SP			■	■	■											
19	95570241	1312 304 056	SYNCHRONIZER CONE			■	■	■											

Notes / Note :

- (1) REPLACED BY 1 PC 1312 301 021 + 1 PC 0636 304 054 (not illustrated) + 1 PC 0634 801 055 (not illustrated)
- (2) ONLY FOR PNEUMATIC VERSION
- (3) ONLY FOR VEHICLES KAMAZ/GUS
- (4) ONLY FOR VEHICLES MAN HAVING SPECIAL VERSION HD
- (5) REPLACED BY 1 PC 1296 301 130 + 1 PC 0636 304 049 (not illustrated) + 1 PC 0730 008 637 (not illustrated)
- (*)-(@)-(\$)-(&) TO BE COUPLED TOGETHER
- (A) DOUBLE CONE SYNCHRO - RATIO 10,14-0,72
- (B) SHORT TRAVEL SYNCHRO - RATIO 13,80-0,84
- (C) DOUBLE CONE SYNCHRO - RATIO 13,80-0,84
- (D) SHORT TRAVEL SYNCHRO - RATIO 16,47-1,00
- (E) DOUBLE CONE SYNCHRO - RATIO 16,47-1,00

Continued

Fig.	Our No.	Part No.	Description	Note	TP	A-R.10,14-0,72	BC-R.13,80-0,84	DE-R.16,47-1,00												
20	95570574	1297 304 436	SLIDE	3 pcs.		■	■	■												
21	95570470	0732 040 409	PRESSURE SPRING	3 pcs.		■	■	■												
22	95570681	1315 302 196	TUBE		NSS	■	■	■												
23	95570682	0630 502 027	SEEGER RING DIN472 50X2		NSS	■	■	■												
24	95570683	0501 314 060	DIAPHRAGM		●	■	■	■												
25	95570241	1312 304 056	SYNCHRONIZER CONE			■	■													
26	95570219	1310 304 202	SLIDING SLEEVE 3RD/4TH SP			■	■													
27	95570202	1297 304 402	SYNCHRONIZER RING	OLD TYPE		■	■													
27	95531072	1297 304 484	SYNCHRONIZER RING	NEW TYPE		■	■													
28		1312 202 041	INPUT SHAFT			■	■													
29	95570681	1315 302 196	TUBE		NSS	■	■													
30	95570682	0630 502 027	SEEGER RING DIN472 50X2		NSS	■	■													
31	95570683	0501 314 060	DIAPHRAGM		●	■	■													
34	95531079	0635 470 012	ROLLER DIN 5402 D.7X7		●	■	■													
35		0735 320 950	NEEDLE BEARING93X101X32,5			■	■													
36	95530520	1312 302 073	CONSTANT GEAR 34 T.	C		■														
36	95530344	1312 302 074	CONSTANT GEAR 30 T.	E	■		■													
37	98530094	0750 117 431	BEARING 75X150X30,5		●	■	■													
38		2050 309 066	SPACER T.0,50 MM			■	■													
38		2050 309 065	SPACER T.1,00 MM			■	■													
39	95570167	0730 061 816	LOCK RING			■	■													
40		1295 202 046	RING			■	■													
41	95570712	0730 106 164	SPLIT RING T.4,10 MM	OLD	■	■	■													
41		1499 298 131	SPLIT RING T.4,10 MM	NEW		■	■													
41	95570714	0730 106 166	SPLIT RING T.4,20 MM	OLD	■	■	■													
41		1499 298 133	SPLIT RING T.4,20 MM	NEW		■	■													
41	95570716	0730 106 168	SPLIT RING T.4,30 MM	OLD	■	■	■													
41		1499 298 135	SPLIT RING T.4,30 MM	NEW		■	■													
42	95530817	1295 202 041	OIL PUMP			■	■													
43		1313 302 044	GASKET			■	■													
44		1312 302 061	COVER			■	■													
45		0730 108 492	WASHER S.2,50 MM			■	■													
45		0730 108 502	WASHER S.3,00 MM			■	■													
45		0730 108 512	WASHER S.3,50 MM			■	■													
46	98530193	0750 117 312	BEARING 50,8X104,7X30,1		■	■	■													

Notes / Note :

- (1) REPLACED BY 1 PC 1312 301 021 + 1 PC 0636 304 054 (not illustrated) + 1 PC 0634 801 055 (not illustrated)
- (2) ONLY FOR PNEUMATIC VERSION
- (3) ONLY FOR VEHICLES KAMAZ/GUS
- (4) ONLY FOR VEHICLES MAN HAVING SPECIAL VERSION HD
- (5) REPLACED BY 1 PC 1296 301 130 + 1 PC 0636 304 049 (not illustrated) + 1 PC 0730 008 637 (not illustrated)
- (*)-(@)-(\$)-(&) TO BE COUPLED TOGETHER
- (A) DOUBLE CONE SYNCHRO - RATIO 10,14-0,72
- (B) SHORT TRAVEL SYNCHRO - RATIO 13,80-0,84
- (C) DOUBLE CONE SYNCHRO - RATIO 13,80-0,84
- (D) SHORT TRAVEL SYNCHRO - RATIO 16,47-1,00
- (E) DOUBLE CONE SYNCHRO - RATIO 16,47-1,00

Continued

Fig.	Our No.	Part No.	Description	Note	TP	A-R.10,14-0,72	BC-R.13,80-0,84	DE-R.16,47-1,00											
47		0734 319 276	OIL SEAL 75X105X14			■	■												
48		1312 304 152	FLANGE D.150 - 4 HOLES			■	■												
48		1312 304 113	FLANGE D.165 - 4 HOLES			■	■												
49		1269 302 065	WASHER			■	■												
50	95532017	0636 015 226	SCREW		■	■	■												
51	95533119	1269 302 164	SHEET STEEL		■	■	■												
52	95531552	0730 005 468	LOCK RING T.4,00 MM		■	■	■												
53	95531369	0730 062 781	LOCK RING		■	■	■												
54		1312 204 040	RING			■	■	■											
55		0730 107 019	SPLIT RING T.4,60 MM	OLD		■	■	■											
55		1499 298 023	SPLIT RING T.4,60 MM	NEW		■	■	■											
55	95531559	0730 107 023	SPLIT RING T.5,00 MM	OLD	■	■	■												
55		1499 298 027	SPLIT RING T.5,00 MM	NEW		■	■	■											
56	98530174	0750 117 232	NEEDLE BEARING 42X40,3		●	■	■	■											
57	95531554	1315 304 051	WASHER S.8,30 MM		■	■	■												
58	98530355	0750 118 258	BEARING 67X101X38		■	■	■												
59		1312 304 029	GEAR 4TH 30 T	A		■													
59	95530572	1312 304 032	GEAR 4TH SPEED 30 T.	BC		■													
59	95530357	1312 304 031	GEAR 4TH SPEED 34 T.	DE			■												
60	95570220	1312 304 027	SYNCHRONIZER CONE			■	■	■											
60	95531631	1316 304 145	SYNCHRONIZER CONE 3RD/4TH (*)			■	■	■											
60	95534409	1316 304 159	SYNCHRONIZER CONE 3RD/4TH (@)			■	■	■											
61	95570202	1297 304 402	SYNCHRONIZER RING	OLD TYPE		■	■	■											
61	95531072	1297 304 484	SYNCHRONIZER RING	NEW TYPE		■	■	■											
61	95531628	1316 304 149	SYNCHRONIZER RING	(*)	●	■	■	■											
61	95534389	1316 304 168	SYNCHRONIZER RING	(@)	●	■	■	■											
62	95570839	1312 304 052	SYNCHRONIZER HUB 3RD/4TH			■	■	■											
62	95531633	1316 304 147	SYNCHRONIZER HUB 3RD/4TH (*)			■	■	■											
62	95534410	1316 304 162	SYNCHRONIZER HUB 3RD/4TH (@)			■	■	■											
63	95570219	1310 304 202	SLIDING SLEEVE 3RD/4TH SP			■	■	■											
63	95531632	1315 304 135	SLIDING SLEEVE	(*)		■	■	■											
63	95532442	1316 304 167	SLIDING SLEEVE	(@)	●	■	■	■											
66		1312 304 075	GEAR 3RD 25 T	A		■													
66	95530606	1312 304 137	GEAR 3RD SPEED 32 T.	BC			■												
66		1312 304 136	GEAR 3RD SPEED 34 T.	DE				■											

Notes / Note :

- (1) REPLACED BY 1 PC 1312 301 021 + 1 PC 0636 304 054 (not illustrated) + 1 PC 0634 801 055 (not illustrated)
- (2) ONLY FOR PNEUMATIC VERSION
- (3) ONLY FOR VEHICLES KAMAZ/GUS
- (4) ONLY FOR VEHICLES MAN HAVING SPECIAL VERSION HD
- (5) REPLACED BY 1 PC 1296 301 130 + 1 PC 0636 304 049 (not illustrated) + 1 PC 0730 008 637 (not illustrated)
- (*)-(@)-(-)-(&) TO BE COUPLED TOGETHER
- (A) DOUBLE CONE SYNCHRO - RATIO 10,14-0,72
- (B) SHORT TRAVEL SYNCHRO - RATIO 13,80-0,84
- (C) DOUBLE CONE SYNCHRO - RATIO 13,80-0,84
- (D) SHORT TRAVEL SYNCHRO - RATIO 16,47-1,00
- (E) DOUBLE CONE SYNCHRO - RATIO 16,47-1,00

Continued

Fig.	Our No.	Part No.	Description	Note	TP	A-R.10,14-0,72	BC-R.13,80-0,84	DE-R.16,47-1,00											
67	98530225	0735 320 451	NEEDLE BEARING 82X90X60W	A	■	■													
67	98530345	0750 115 303	NEEDLE BEARING 92X100X63	BCDE	■		■	■											
68		1312 304 161	MAIN SHAFT	A		■													
68	95531522	1316 304 130	MAIN SHAFT 24 T.	BCDE			■	■											
69	98530345	0750 115 303	NEEDLE BEARING 92X100X63		■	■	■	■											
70		1312 304 142	GEAR 2ND	A		■													
70	95530614	1312 304 141	GEAR 2ND SPEED 37 T.	BC			■												
70		1312 304 139	GEAR 2ND SPEED 38 T.	DE				■											
71		1312 304 092	SYNCHRONIZER CONE	A		■													
71	95570642	1312 304 106	SYNCHRONIZER CONE	CE			■	■											
72	95570599	1268 304 424	SYNCHRONIZER CONE	ACE		■	■	■											
73	95570600	1268 304 494	SYNCHRONIZER RING	ACE	●	■	■	■											
74	95570601	1268 304 525	SYNCHRONIZER RING	ACE		■	■	■											
75	95570551	1312 304 158	SYNCHRONIZER HUB	ACE		■	■	■											
76	95570555	1310 304 175	SLIDING SLEEVE	ACE		■	■	■											
79	95570643	1312 304 159	SLIDING BLOCK	ACE-3 pcs.		■	■	■											
80	95570224	1313 304 009	SYNCHRONIZER CONE	BD			■	■											
80	95531630	1316 304 146	SYNCHRONIZER CONE 1ST/2ND (§)				■	■											
80	95534407	1316 304 156	SYNCHRONIZER CONE 1ST/2ND (&)				■	■											
81	95570217	1297 304 401	SYNCHRONIZER RING	BD-OLD T.			■	■											
81	95531085	1297 304 485	SYNCHRONIZER RING	BD-NEW T.			■	■											
81	95531629	1316 304 150	SYNCHRONIZER RING RH (§)				■	■											
81	95534388	1316 304 170	SYNCHRONIZER RING LH (&)		●		■	■											
82	95570896	1313 304 008	SYNCHRONIZER HUB	BD			■	■											
82	95531634	1316 304 148	SYNCHRONIZER HUB 1ST/2ND (§)				■	■											
82	95534408	1316 304 163	SYNCHRONIZER HUB 1ST/2ND (&)				■	■											
83	95570218	1316 304 078	SLIDING SLEEVE 1ST/2ND	BD			■	■											
83	95531627	1315 304 136	SLIDING SLEEVE (§)				■	■											
83	95534379	1316 304 169	SLIDING SLEEVE (&)		●		■	■											
86		1312 304 008	BUSH	A		■													
86	95530417	1312 304 084	BUSH	BCDE	■		■	■											
87		0750 115 304	NEEDLE BEARING 92X100X72	A		■													
87	98530348	0750 115 327	NEEDLE BEARING 96X104X72	BCDE	■		■	■											
88		1312 304 077	GEAR 1ST SPEED 34 T.	A		■													
88	95530688	1312 304 086	GEAR 1ST SPEED 44 T.	BC			■												

Notes / Note :

- (1) REPLACED BY 1 PC 1312 301 021 + 1 PC 0636 304 054 (not illustrated) + 1 PC 0634 801 055 (not illustrated)
- (2) ONLY FOR PNEUMATIC VERSION
- (3) ONLY FOR VEHICLES KAMAZ/GUS
- (4) ONLY FOR VEHICLES MAN HAVING SPECIAL VERSION HD
- (5) REPLACED BY 1 PC 1296 301 130 + 1 PC 0636 304 049 (not illustrated) + 1 PC 0730 008 637 (not illustrated)
- (*)-(@)-(-)-(&) TO BE COUPLED TOGETHER
- (A) DOUBLE CONE SYNCHRO - RATIO 10,14-0,72
- (B) SHORT TRAVEL SYNCHRO - RATIO 13,80-0,84
- (C) DOUBLE CONE SYNCHRO - RATIO 13,80-0,84
- (D) SHORT TRAVEL SYNCHRO - RATIO 16,47-1,00
- (E) DOUBLE CONE SYNCHRO - RATIO 16,47-1,00

Continued

Fig.	Our No.	Part No.	Description	Note	TP	A-R.10,14-0,72	BC-R.13,80-0,84	DE-R.16,47-1,00											
88	95530425	1312 304 085	GEAR 1ST SPEED 47 T.	DE			■												
89		1312 304 037	FOLLOWER RING	A	■														
89		1312 304 185	FOLLOWER RING	B		■													
89		1312 304 083	FOLLOWER RING	CDE		■	■												
90		1312 304 011	BUSH	A	■														
90	95530433	1316 304 133	BUSH	BCDE	■	■	■												
91		0735 321 103	NEEDLE BEARING 77X85X50	A	■														
91	98530347	0750 115 326	NEEDLE BEARING 90X98X50	BCDE	■	■	■												
92		1312 304 078	REVERSE GEAR 39 T	A	■														
92		1312 304 187	REVERSE GEAR 39 T	B		■													
92		1312 304 088	REVERSE GEAR 39 T.	C		■													
92		1312 304 087	REVERSE GEAR 38 T.	DE			■												
93		0750 117 233	BEARING 65X140X36,5	A	■														
93	98530352	0750 117 678	BEARING 80X140X36,5	BCDE	■	■	■												
94		0630 531 070	SEEGER RING T.3,00 MM	A	■														
94		0630 501 312	SEEGER RING T.3,10 MM	BCDE		■	■												
94		0630 501 316	SEEGER RING T.3,50 MM	BCDE		■	■												
95	95531608	1312 304 150	PIPE		■	■	■												
96	95570365	1297 306 120	SLIDE			■	■												
97		1312 206 045	FORK	AD	■		■												
97		1312 206 025	FORK	BC		■													
97		1312 206 026	FORK	E			■												
98		1312 206 043	FORK	AD	■		■												
98		1312 206 013	FORK	BC		■													
98		1312 206 017	FORK	E			■												
99		1312 206 033	FORK	AD	■		■												
99		1312 206 027	FORK	BC		■													
99		1312 206 028	FORK	E			■												
100	95570365	1297 306 120	SLIDE			■	■												
101		1313 312 002	FORK			■	■												
102		1312 312 001	ROD			■	■												
103	95531553	0634 313 671	O-RING 80X3		●	■	■												
104	95531269	1296 312 042	CYLINDER			■	■												
105	95531069	0750 112 034	GASKET 25X38X14,2		●	■	■												
106		1312 312 003	PISTON			■	■												

Notes / Note :

- (1) REPLACED BY 1 PC 1312 301 021 + 1 PC 0636 304 054 (not illustrated) + 1 PC 0634 801 055 (not illustrated)
- (2) ONLY FOR PNEUMATIC VERSION
- (3) ONLY FOR VEHICLES KAMAZ/GUS
- (4) ONLY FOR VEHICLES MAN HAVING SPECIAL VERSION HD
- (5) REPLACED BY 1 PC 1296 301 130 + 1 PC 0636 304 049 (not illustrated) + 1 PC 0730 008 637 (not illustrated)
- (*)-(@)-(\$)-(&) TO BE COUPLED TOGETHER
- (A) DOUBLE CONE SYNCHRO - RATIO 10,14-0,72
- (B) SHORT TRAVEL SYNCHRO - RATIO 13,80-0,84
- (C) DOUBLE CONE SYNCHRO - RATIO 13,80-0,84
- (D) SHORT TRAVEL SYNCHRO - RATIO 16,47-1,00
- (E) DOUBLE CONE SYNCHRO - RATIO 16,47-1,00

Continued

Fig.	Our No.	Part No.	Description	Note	TP	A-R.10,14-0,72	BC-R.13,80-0,84	DE-R.16,47-1,00											
106		1312 312 015	PISTON	(2)		■	■	■											
107	95532548	0750 112 089	RING 53X63X16,2		●	■	■	■											
107		0750 112 048	RING 53X63X5	(2)		■	■	■											
108		0737 006 095	NUT M16X1,5			■	■	■											
109	<i>95531941</i>	0634 314 018	O-RING 59X2		■	■	■	■											
110	<i>95532626</i>	0750 132 033	CYLINDER		■	■	■	■											
110	<i>95532625</i>	0750 132 032	CYLINDER		■	■	■	■											
111		0730 101 471	WASHER S.2,00 MM			■	■	■											
111		0730 100 799	WASHER S.2,50 MM			■	■	■											
111		0730 106 917	WASHER S.3,00 MM			■	■	■											
112	<i>95530513</i>	0630 501 147	SEEGER RING T.2,30 MM		■	■	■	■											
112	<i>95530517</i>	0630 501 148	SEEGER RING T.2,45 MM		■	■	■	■											
112	<i>95530627</i>	0630 531 064	SEEGER RING T.2,50 MM		■	■	■	■											
112	<i>95530448</i>	0630 501 114	SEEGER RING T.2,80 MM		■	■	■	■											
112	<i>95530923</i>	0630 531 065	SEEGER RING T.3,00 MM		■	■	■	■											
113	98530051	0750 117 009	BEARING 49,2X103,1X43,6		●	■	■	■											
114		1312 303 003	CONSTANT GEAR 34 T.	A		■													
114	95530708	1312 303 006	CONSTANT GEAR 37 T.	BC			■												
114	<i>95530443</i>	1312 303 005	CONSTANT GEAR 39 T.	DE	■			■											
115		1312 303 014	GEAR 4TH SPEED 31 T.	A		■													
115	95530723	1312 303 017	GEAR 4TH SPEED 39 T.	BC			■												
115	<i>95530446</i>	1312 303 016	GEAR 4TH SPEED 37 T.	DE	■			■											
116		1312 303 036	GEAR 3RD 36 T	A		■													
116	95530784	1312 303 020	GEAR 3RD SPEED 28 T.	BC			■												
116		1312 303 021	GEAR 3RD SPEED 26 T.	DE				■											
117		1312 303 037	COUNTERSHAFT 20/24 T.	A		■													
117		1312 303 055	COUNTERSHAFT	B(3)			■												
117	95570158	1312 303 009	COUNTERSHAFT 19/23 T.	C			■												
117		1312 303 008	COUNTERSHAFT 17/20 T.	DE				■											
117		1312 303 055	COUNTERSHAFT	D(3)				■											
118		1312 303 043	COUNTERSHAFT 19/23 T.	C(4)			■												
119		0636 900 211	SCREW M12X35			■	■	■											
120		1295 305 057	WASHER			■	■	■											
121	95570441	1295 305 056	REVERSE PIN			■	■	■											
122		0750 115 255	NEEDLE BEARING 45X53X25			■	■	■											

Notes / Note :

- (1) REPLACED BY 1 PC 1312 301 021 + 1 PC 0636 304 054 (not illustrated) + 1 PC 0634 801 055 (not illustrated)
- (2) ONLY FOR PNEUMATIC VERSION
- (3) ONLY FOR VEHICLES KAMAZ/GUS
- (4) ONLY FOR VEHICLES MAN HAVING SPECIAL VERSION HD
- (5) REPLACED BY 1 PC 1296 301 130 + 1 PC 0636 304 049 (not illustrated) + 1 PC 0730 008 637 (not illustrated)
- (*)-(@)-(\$)-(&) TO BE COUPLED TOGETHER
- (A) DOUBLE CONE SYNCHRO - RATIO 10,14-0,72
- (B) SHORT TRAVEL SYNCHRO - RATIO 13,80-0,84
- (C) DOUBLE CONE SYNCHRO - RATIO 13,80-0,84
- (D) SHORT TRAVEL SYNCHRO - RATIO 16,47-1,00
- (E) DOUBLE CONE SYNCHRO - RATIO 16,47-1,00

Continued

Fig.	Our No.	Part No.	Description	Note	TP	A-R.10,14-0,72	BC-R.13,80-0,84	DE-R.16,47-1,00												
123		1312 305 003	REVERSE GEAR 21 T.	A	■															
123		1297 305 012	REVERSE GEAR 21 T.	BC		■														
123	95530450	1297 305 011	REVERSE GEAR 24 T.	DE			■													
124	95530025	0730 150 064	THRUST WASHER		■	■	■													
125		1312 232 016	PLANET CARRIER	A	■															
125		1312 232 028	PLANET CARRIER	B		■														
125	<i>95570442</i>	1316 232 006	PLANET CARRIER	CDE	■	■	■													
126	95570182	1297 332 109	PIN	A-5 pcs.	■															
126	95570721	1312 332 026	PIN	BCDE-5 pcs		■	■													
127	<i>95570208</i>	0631 329 167	LOCK PIN 3X28	5 pcs.	■	■	■	■												
128	<i>95570209</i>	0631 329 051	LOCK PIN 5X28	5 pcs.	■	■	■	■												
129	95530907	0501 306 212	THRUST WASHER	A-10 pcs.		■														
129	<i>95570207</i>	0501 308 981	THRUST WASHER	BCDE-10 pc	■	■	■													
130	95530670	0730 103 846	SHIM 1,00 MM	A-15 pcs.		■														
130	<i>95570210</i>	0730 107 168	SHIM 1,00 MM	BCDE-15 pc	■	■	■													
131	95570722	0750 119 116	NEEDLE D.10X16,8	A-120 pcs.	●	■														
131	95570722	0750 119 116	NEEDLE D.10X16,8	BCDE-140 p	●	■	■													
132	95530410	1297 232 023	GEAR SET (5 PCS)	A	■															
132	95570720	1312 232 014	GEAR SET (5 PCS)	BCDE		■	■													
133	95530780	1297 332 080	CROWN 83 T.	A	■															
133	95570991	1295 332 086	CROWN 86 T.	BCDE		■	■													
134		1297 332 108	CARRIER HUB 83 T.	A	■															
134	95570724	1297 332 120	CARRIER HUB 86 T.	BCDE		■	■													
135	95570645	0730 505 055	RETAINER RING	A	●	■														
135	95570727	0730 505 056	RETAINER RING	BCDE	●	■	■													
136		0635 338 035	BEARING 100X125X13			■	■	■												
137		0730 513 753	RETAINER RING T.2,00 MM			■	■	■												
137		0730 513 748	RETAINER RING T.2,50 MM	OLD		■	■	■												
137		0730 513 917	RETAINER RING T.2,40 MM	NEW		■	■	■												
138	95530682	1296 233 006	SYNCHRONIZER CONE			■	■	■												
139	95530648	1296 333 022	SYNCHRONIZER RING	OLD TYPE		■	■	■												
139	95531084	1296 333 045	SYNCHRONIZER RING	NEW TYPE		■	■	■												
140	95570725	1297 333 115	SYNCHRONIZER HUB			■	■	■												
141	95530649	1296 333 023	SLIDING SLEEVE			■	■	■												
142	95530100	1240 304 278	SLIDING BLOCK	9 pcs.		■	■	■												

Notes / Note :

- (1) REPLACED BY 1 PC 1312 301 021 + 1 PC 0636 304 054 (not illustrated) + 1 PC 0634 801 055 (not illustrated)
- (2) ONLY FOR PNEUMATIC VERSION
- (3) ONLY FOR VEHICLES KAMAZ/GUS
- (4) ONLY FOR VEHICLES MAN HAVING SPECIAL VERSION HD
- (5) REPLACED BY 1 PC 1296 301 130 + 1 PC 0636 304 049 (not illustrated) + 1 PC 0730 008 637 (not illustrated)
- (*)-(@)-(\$)-(&) TO BE COUPLED TOGETHER
- (A) DOUBLE CONE SYNCHRO - RATIO 10,14-0,72
- (B) SHORT TRAVEL SYNCHRO - RATIO 13,80-0,84
- (C) DOUBLE CONE SYNCHRO - RATIO 13,80-0,84
- (D) SHORT TRAVEL SYNCHRO - RATIO 16,47-1,00
- (E) DOUBLE CONE SYNCHRO - RATIO 16,47-1,00

Continued

Fig.	Our No.	Part No.	Description	Note	TP	A-R.10,14-0,72	BC-R.13,80-0,84	DE-R.16,47-1,00											
143	95530284	0732 040 386	SPRING	9 pcs.		■	■	■											
144	95530270	0732 040 385	SPRING	9 pcs.		■	■	■											
145	95570726	1297 233 056	SYNCHRONIZER CONE			■	■	■											
146		1312 333 014	RETARDER GEAR				■												
147		1313 301 037	GASKET			■	■	■											
148		1296 301 129	COVER	(5)OLD		■													
148		1296 301 180	COVER	(5)OLD			■												
148		1296 301 130	COVER	NEW		■	■												
148		1313 301 008	COVER					■											
148		1313 301 009	COVER					■											
149	95531593	1238 308 201	GASKET		●	■	■	■											
150	95531377	1304 301 034	COVER		■	■	■	■											
151		1297 338 082	SPEEDOMETER GEAR					■											
152	95570647	1296 235 001	SPEEDOMETER SHAFT		■			■											
153	95531574	0634 801 324	SPACER 30X36 DIN7603		NSS			■											
154		1297 238 005	DISK			■	■	■											
155	98530050	0750 116 002	BEARING 90X160X30		●	■	■	■											
156		0730 100 116	WASHER T.0,20 MM			■	■	■											
156	95532106	0730 003 515	WASHER T.0,60 MM		■	■	■	■											
157		1313 301 036	GASKET			■	■	■											
158		1315 231 002	COVER	OLD		■	■	■											
158		1315 301 220	COVER	NEW		■	■	■											
159	95532542	0750 111 341	OIL SEAL 105X130X12		●	■	■	■											
160		1297 333 110	OUTPUT FLANGE			■	■	■											
161		0634 313 805	O-RING 82X4			■	■	■											
162		1312 332 028	WASHER			■	■	■											
163		0636 011 540	SCREW M12X60			■	■	■											
164	95531610	1312 332 030	SHEET STEEL		■	■	■	■											
165	95530797	1296 334 004	SLIDING BLOCK			■	■	■											
166		1312 234 002	FORK			■	■	■											
166		1312 234 004	FORK	(2)				■											
167	95531069	0750 112 034	GASKET 25X38X14,2		●	■	■	■											
168	95532408	0734 317 150	RING 80X90X4,8		●	■	■												
168	95532550	0750 112 097	RING		■			■											
169	95570654	1296 334 039	PISTON		■	■	■	■											

Notes / Note :

- (1) REPLACED BY 1 PC 1312 301 021 + 1 PC 0636 304 054 (not illustrated) + 1 PC 0634 801 055 (not illustrated)
- (2) ONLY FOR PNEUMATIC VERSION
- (3) ONLY FOR VEHICLES KAMAZ/GUS
- (4) ONLY FOR VEHICLES MAN HAVING SPECIAL VERSION HD
- (5) REPLACED BY 1 PC 1296 301 130 + 1 PC 0636 304 049 (not illustrated) + 1 PC 0730 008 637 (not illustrated)
- (*)-(@)-(\$)-(&) TO BE COUPLED TOGETHER
- (A) DOUBLE CONE SYNCHRO - RATIO 10,14-0,72
- (B) SHORT TRAVEL SYNCHRO - RATIO 13,80-0,84
- (C) DOUBLE CONE SYNCHRO - RATIO 13,80-0,84
- (D) SHORT TRAVEL SYNCHRO - RATIO 16,47-1,00
- (E) DOUBLE CONE SYNCHRO - RATIO 16,47-1,00

Continued

Fig.	Our No.	Part No.	Description	Note	TP	A-R-10,14-0,72	BC-R-13,80-0,84	DE-R-16,47-1,00												
169		1297 334 056	PISTON					■												
170	95531395	0750 112 066	RING		●	■	■													
170	95532549	0750 112 096	RING		■			■												
171	95532408	0734 317 150	RING 80X90X4,8		●	■	■													
171	95532550	0750 112 097	RING		■			■												
172		0737 006 095	NUT M16X1,5			■	■	■												
173	95531942	0634 314 019	O-RING 94X3		●	■	■													
173		0634 313 520	O-RING					■												
174	95570227	1295 334 075	CYLINDER		●	■	■													
174	95531555	1297 334 055	CYLINDER		■			■												
175	95531972	1295 298 933	REPAIR KIT			■	■	■												
176	95531281	1295 298 956	REPAIR KIT			■	■	■												
177		1312 301 080	HOUSING			■														
177		1312 301 073	HOUSING				■	■												
177		1312 301 074	HOUSING				■	■												
178		2050 309 066	SPACER T.0,50 MM			■	■	■												
178		2050 309 065	SPACER T.1,00 MM			■	■	■												
179	95531079	0635 470 012	ROLLER DIN 5402 D.7X7		●	■	■	■												
180	95570220	1312 304 027	SYNCHRONIZER CONE				■	■												
181		1312 304 080	SYNCHRONIZER CONE	A		■														
181	95570220	1312 304 027	SYNCHRONIZER CONE	BCDE			■	■												
182		0630 501 175	SEEGER RING T.3,70 MM			■	■	■												
182		0630 501 061	SEEGER RING T.4,00 MM			■	■	■												
183	95531601	1313 207 003	BRACKET		●	■	■	■												

Notes / Note :

- (1) REPLACED BY 1 PC 1312 301 021 + 1 PC 0636 304 054 (not illustrated) + 1 PC 0634 801 055 (not illustrated)
- (2) ONLY FOR PNEUMATIC VERSION
- (3) ONLY FOR VEHICLES KAMAZ/GUS
- (4) ONLY FOR VEHICLES MAN HAVING SPECIAL VERSION HD
- (5) REPLACED BY 1 PC 1296 301 130 + 1 PC 0636 304 049 (not illustrated) + 1 PC 0730 008 637 (not illustrated)
- (*)-(@)-(\$)-(&) TO BE COUPLED TOGETHER
- (A) DOUBLE CONE SYNCHRO - RATIO 10,14-0,72
- (B) SHORT TRAVEL SYNCHRO - RATIO 13,80-0,84
- (C) DOUBLE CONE SYNCHRO - RATIO 13,80-0,84
- (D) SHORT TRAVEL SYNCHRO - RATIO 16,47-1,00
- (E) DOUBLE CONE SYNCHRO - RATIO 16,47-1,00

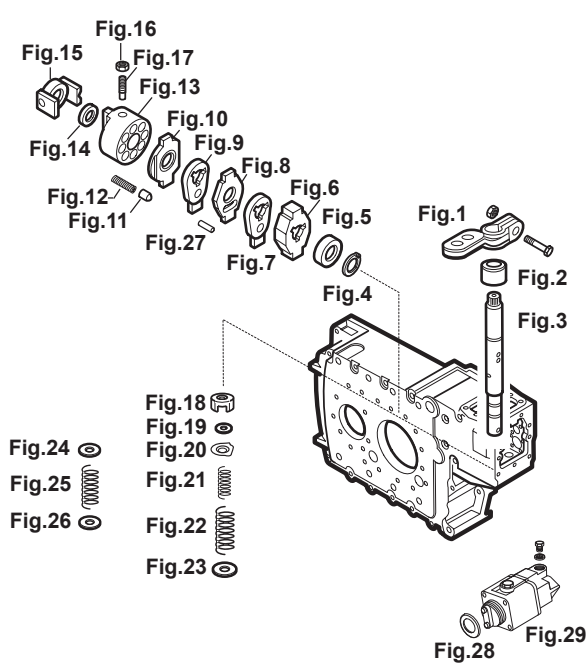
Our Parts are not original but perfectly interchangeable with the O.E.M ones. All original equipment manufacturers' names, numbers, symbols and descriptions used in this catalogue are for reference purposes only.
 Tutti i nostri particolari non sono originali ma con essi intercambiabili. Tutti i riferimenti dei costruttori originali sono usati a semplice titolo indicativo.



16S220 Selector Mechanism

Fig.	Our No.	Part No.	TP	Description	Note
1	95531265	1295 307 533		LEVER CONTROL ROD	
1		1295 307 532		LEVER	
1		1268 307 175		LEVER	
2	95532736	1238 307 411	■	COVER	
3	95531264	1295 307 275		SELECTOR ROD	
3	95531263	1295 307 274		SELECTOR ROD	
3	95531271	1295 307 330		SELECTOR ROD	(*)
3	95531258	1295 307 273		SHAFT	(**)
4	95531857	0630 532 205	■	RING	
5	95533447	1295 307 380	■	WASHER	
6	95531266	1295 307 360	■	HUB CONTROL ROD	
7	95533437	1295 307 178	■	DRIVER	
8	95533436	1295 307 176	■	HUB	
9		1295 307 174		DRIVER	
10		1295 307 627		STOP SEGMENT	
11	95570100	1295 307 243		PIN	
12	95530676	0732 040 736		SPRING	
13	95532496	1295 307 413	■	BRAKET SELECTOR ROD	
13		1295 307 591		BRAKET CONTROL ROD	(**)
14	95532104	0730 003 350	■	WASHER	
14		0730 062 408		WASHER	(*)
15	95531268	1295 307 265		SUPPORT CONTROL ROD	
15		1295 307 266		SUPPORT CONTROL ROD	(*)
16	95531249	0637 002 039	■	NUT M12X1,5	
17	95532373	0731 611 046	■	STUD	
18	95533455	1295 307 522	■	WASHER	
18		1295 307 526		WASHER	(*)
19	95532183	0730 100 214	■	WASHER	
19		0730 003 739		WASHER	(*)
20	95531856	0630 532 138	■	RING	
20	95531857	0630 532 205	■	RING	(*)
21		0732 040 392		PRESSURE SPRING	
21		0732 040 629		SPRING	
21		0732 041 670		SPRING	(*)
22		0732 040 237		PRESSURE SPRING	
22	95532382	0732 040 765	■	PRESSURE SPRING	
22		0732 040 630		PRESSURE SPRING	(*)
23	95532236	0730 104 083	■	WASHER	
23		0730 003 740		WASHER	(*)
24	95533455	1295 307 522	■	WASHER	
25	95532382	0732 040 765	■	PRESSURE SPRING	

Fig.	Our No.	Part No.	TP	Description	Note
26	95532236	0730 104 083	■	WASHER	
27	95531862	0631 306 832	■	PIN	
28	95531009	0634 316 057	●	O-RING 36,2X3	
29	95531374	6038 202 003	■	VALVE	
29		6020 202 012		VALVE	



(*) To be used together. Version with cover 1295 307 420
 (**) To be used together. Version with cover 1295 307 434

OPTIONS



16S220 Selector Mechanism

Fig.	Our No.	Part No.	TP	Description	Note
1	95531248	0634 307 367	●	OIL SEAL 25X35X7/10	
2	95531247	0634 300 302	●	OIL SEAL 25X35X7	
3	95570501	0730 260 330		BUSH	
4	95531870	0634 300 020	●	OIL SEAL 25X32X5	
5	95531270	1295 307 294		COVER	WITH 13-14
5	95533445	1295 307 336	■	COVER	WITH 13-14
5	95531274	1295 307 420		COVER	WITH 15-16
6		1313 307 020		GASKET	
11	95531326	1295 307 479		COVER	
12		1313 307 003		GASKET	
13		1313 307 004		GASKET	
14	95533453	1295 307 490	■	COVER	
15		1313 307 020		GASKET	
16		1295 307 440		COVER	
17		1295 307 434		COVER	WITH 13-14

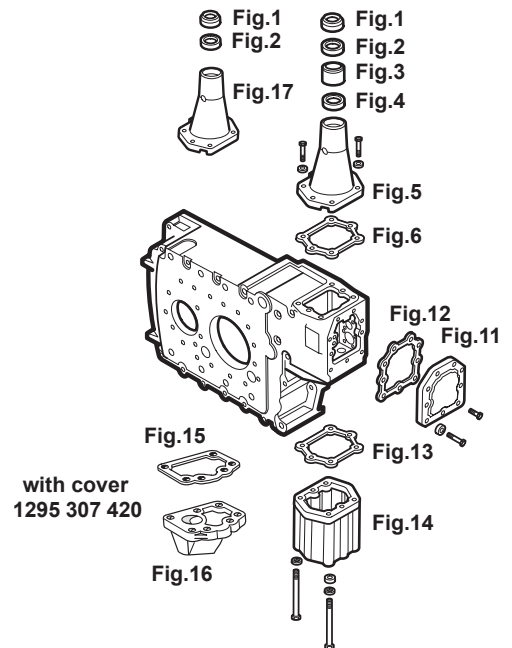
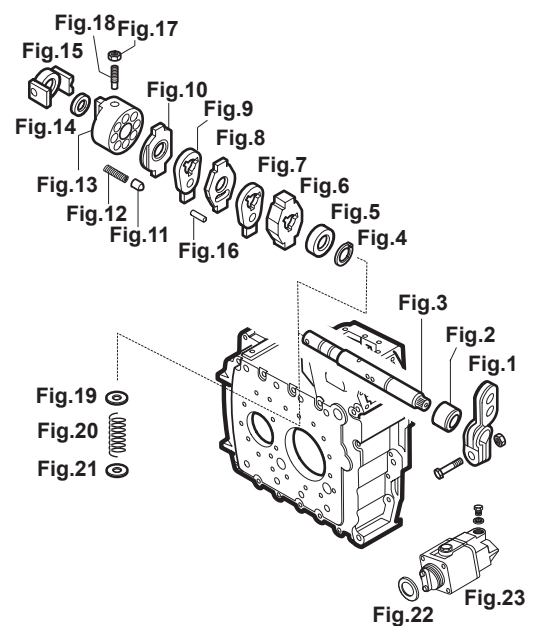


Fig.	Our No.	Part No.	TP	Description	Note
1		1250 307 666		LEVER	
2	95532736	1238 307 411	■	COVER	
3		1295 307 268		SELECTOR ROD	
4	95531857	0630 532 205	■	RING	
5	95533447	1295 307 380	■	WASHER	
6	95531266	1295 307 360	■	HUB CONTROL ROD	
7	95533437	1295 307 178	■	DRIVER	
8	95533436	1295 307 176	■	HUB	
9		1295 307 174		DRIVER	
10		1295 307 147		BRACKET	
11	95570100	1295 307 243		PIN	
12	95530676	0732 040 736		SPRING	
13		1295 307 410		BRACKET SELECTOR ROD	
14	95532104	0730 003 350	■	WASHER	
15	95531268	1295 307 265		SUPPORT CONTROL ROD	
16	95531862	0631 306 832	■	PIN	
17	95531249	0637 002 039	■	NUT M12X1,5	
18	95532373	0731 611 046	■	STUD	
19	95533455	1295 307 522	■	WASHER	
20	95532382	0732 040 765	■	PRESSURE SPRING	
21	95532236	0730 104 083	■	WASHER	

Fig.	Our No.	Part No.	TP	Description	Note
22	95531009	0634 316 057	●	O-RING 36,2X3	
23	95531374	6038 202 003	■	VALVE	



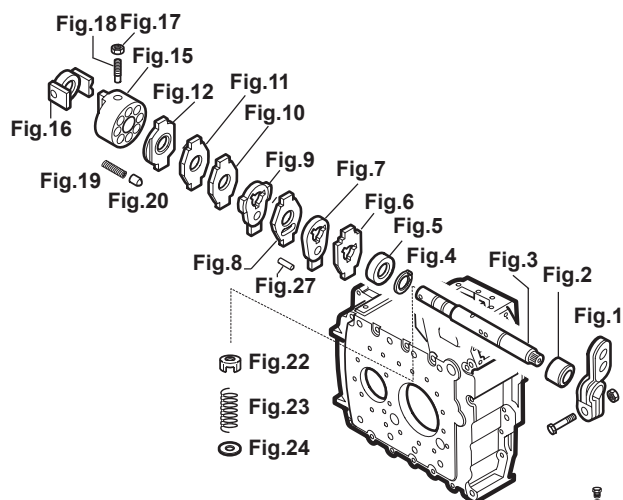


16S220 Selector Mechanism

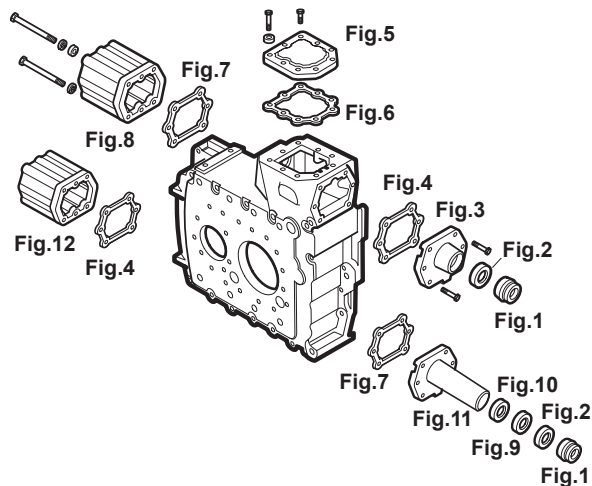
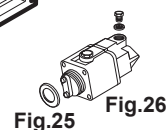
Fig.	Our No.	Part No.	TP	Description	Note
1		1297 307 076		LEVER	
1		1268 307 175		LEVER	
2	95532736	1238 307 411	■	COVER	
3		1295 307 280		SELECTOR ROD	
3	95531273	1295 307 278		SELECTOR ROD	(*)
4	95531857	0630 532 205	■	RING	
5		1295 307 379		WASHER	
6		1295 307 585		BRAKET	
7	95533437	1295 307 178	■	DRIVER	
8	95533436	1295 307 176	■	HUB	
9		1295 307 175		DRIVER	
10		1295 307 185		BRAKET	
11		1295 307 190		BRAKET	
12		1295 307 629		BRAKET	
15		1295 307 409		BRAKET	
16	95531268	1295 307 265		SUPPORT CONTROL ROD	
16		1295 307 266		SUPPORT CONTROL ROD	(*)
17	95531249	0637 002 039	■	NUT M12X1,5	
18	95532373	0731 611 046	■	STUD	
19	95530676	0732 040 736		SPRING	
20	95570100	1295 307 243		PIN	
22	95533455	1295 307 522	■	WASHER	
22		1295 307 526		WASHER	(*)
23	95532382	0732 040 765	■	PRESSURE SPRING	
24	95532236	0730 104 083	■	WASHER	
24		0730 003 740		WASHER	(*)

Fig.	Our No.	Part No.	TP	Description	Note
1	95531248	0634 307 367	●	OIL SEAL 25X35X7/10	
2	95531247	0634 300 302	●	OIL SEAL 25X35X7	
3		1295 307 434		COVER	WITH 8
4		1313 307 020		GASKET	
5	95531326	1295 307 479		COVER	
6		1313 307 003		GASKET	
7		1313 307 004		GASKET	
8	95533453	1295 307 490	■	COVER	
9	95570501	0730 260 330		BUSH	
10	95531870	0634 300 020	●	OIL SEAL 25X32X5	
11		1295 307 342		COVER	WITH 12
12		1295 307 440		COVER	

Fig.	Our No.	Part No.	TP	Description	Note
25	95531009	0634 316 057	●	O-RING 36,2X3	
26	95531374	6038 202 003	■	VALVE	
27	95531862	0631 306 832	■	PIN	

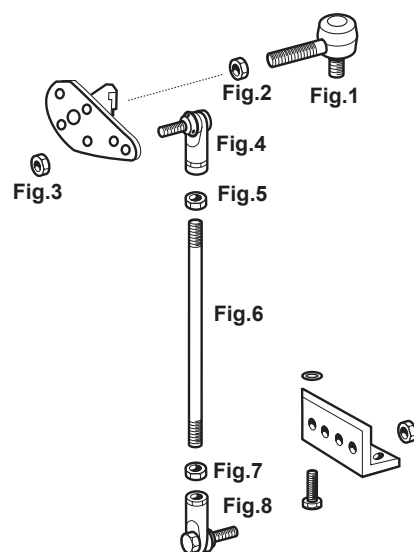


(*) To be used together.
Version with cover 1295 307 342



16S220 Selector Mechanism

Fig.	Our No.	Part No.	TP	Description	Note
1	95531280	0501 204 714	●	BALL JOINT M14X1,5 RH	L=85 MM
2		0637 006 180		NUT	M14
3		0637 011 570		NUT	M10
4	95531251	0732 107 019	●	BALL JOINT M12X1,75 LF	L=55 MM
5		0637 006 215		NUT	M12
6		0736 620 075		ROD	
7	95532037	0637 006 202	■	NUT	M12
8	95531279	0732 107 018	●	BALL JOINT M12X1,75 RH	L=55 MM



16S220 Kits

Fig.	Our No.	Part No.	TP	Description	Q.ty
	95531358	1297 298 955		SYNCHRONIZER KIT	
1	95570220	1312 304 027		SYNCHRONIZER CONE	1 pc.
2	95531072	1297 304 484		SYNCHRONIZER RING	2 pcs.
3	95570219	1310 304 202		SLIDING SLEEVE 3RD/4TH	1 pc.
4	95570241	1312 304 056		SYNCHRONIZER CONE	1 pc.
5	95570574	1297 304 436		SLIDE	3 pcs.
6	95570470	0732 040 409		PRESSURE SPRING	3 pcs.

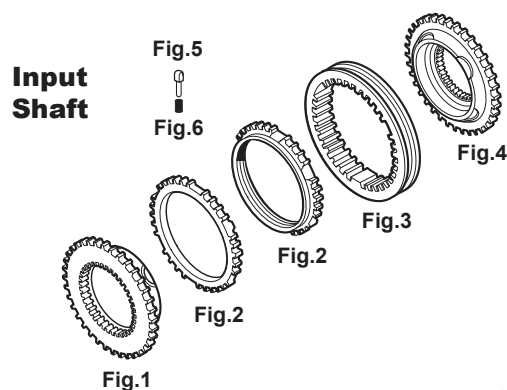


Fig.	Our No.	Part No.	TP	Description	Q.ty
	95531357	1315 298 018		SYNCHRONIZER KIT 3RD/4TH	
1	95570220	1312 304 027		SYNCHRONIZER CONE	2 pcs.
2	95531072	1297 304 484		SYNCHRONIZER RING	2 pcs.
3	95570839	1312 304 052		SYNCHRONIZER HUB 3RD/4TH	1 pc.
4	95570219	1310 304 202		SLIDING SLEEVE 3RD/4TH SP	1 pc.
5	95570574	1297 304 436		SLIDE	3 pcs.
6	95570470	0732 040 409		PRESSURE SPRING	3 pcs.

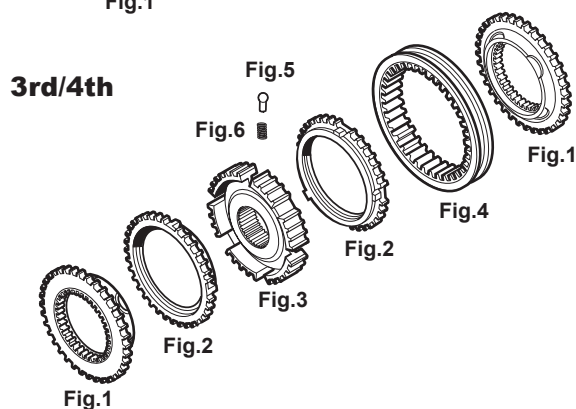
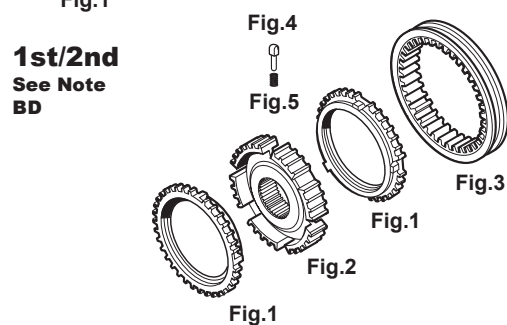
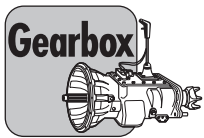


Fig.	Our No.	Part No.	TP	Description	Q.ty
	95531359	1313 204 003		SYNCHRONIZER KIT 1ST/2ND	
1	95570217	1297 304 401		SYNCHRONIZER RING	2 pcs.
2	95570896	1313 304 008		SYNCHRONIZER HUB	1 pc.
3	95570218	1316 304 078		SLIDING SLEEVE 1ST/2ND	1 pc.
4	95570574	1297 304 436		SLIDE	3 pcs.
5	95570470	0732 040 409		PRESSURE SPRING	3 pcs.



Our Parts are not original but perfectly interchangeable with the O.E.M ones. All original equipment manufacturers' names, numbers, symbols and descriptions used in this catalogue are for reference purposes only.

Tutti i nostri particolari non sono originali ma con essi intercambiabili. Tutti i riferimenti dei costruttori originali sono usati a semplice titolo indicativo.



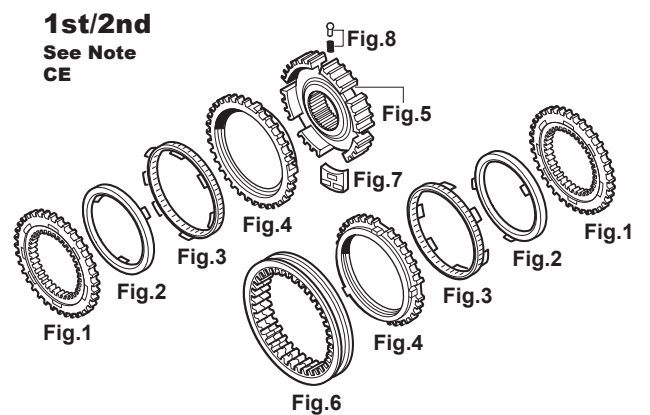
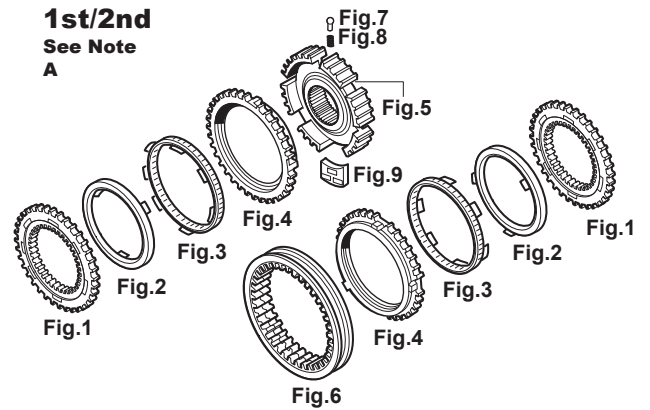
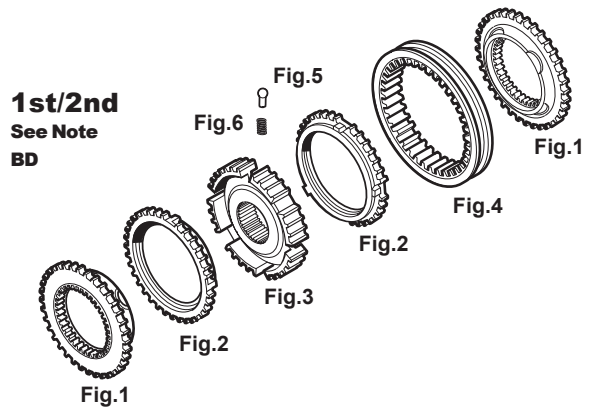
GEARBOX: 16S220

16S220 Kits

Fig.	Our No.	Part No.	TP	Description	Q.ty
		1313 298 909		SYNCHRONIZER KIT 1ST/2ND	
1	95570224	1313 304 009		SYNCHRONIZER CONE	2 pcs.
2	95570217	1297 304 401		SYNCHRONIZER RING	2 pcs.
3	95570896	1313 304 008		SYNCHRONIZER HUB	1 pc.
4	95570218	1316 304 078		SLIDING SLEEVE 1ST/2ND	1 pc.
5	95570574	1297 304 436		SLIDE	3 pcs.
6	95570470	0732 040 409		PRESSURE SPRING	3 pcs.

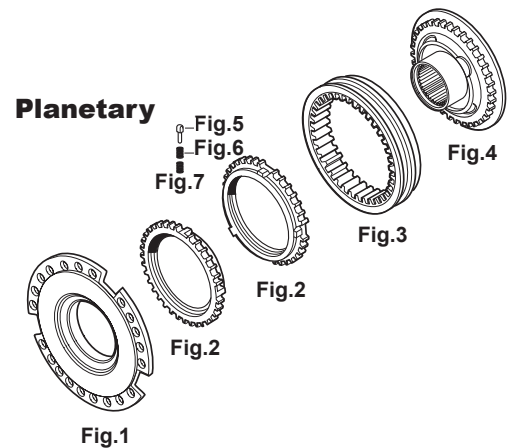
Fig.	Our No.	Part No.	TP	Description	Q.ty
		1312 204 044		SYNCHRONIZER KIT 1ST/2ND	
1		1312 304 092		SYNCHRONIZER CONE	2 pcs.
2	95570599	1268 304 424		SYNCHRONIZER CONE	2 pcs.
3	95570600	1268 304 494	●	SYNCHRONIZER RING	2 pcs.
4	95570601	1268 304 525		SYNCHRONIZER RING	2 pcs.
5	95570551	1312 304 158		SYNCHRONIZER HUB	1 pc.
6	95570555	1310 304 175		SLIDING SLEEVE	1 pc.
7	95570574	1297 304 436		SLIDE	3 pcs.
8	95570470	0732 040 409		PRESSURE SPRING	3 pcs.
9	95570643	1312 304 159		SLIDING BLOCK	3 pcs.

Fig.	Our No.	Part No.	TP	Description	Q.ty
	95534365	1312 298 911		SYNCHRONIZER KIT 1ST/2ND	
1	95570642	1312 304 106		SYNCHRONIZER CONE	2 pcs.
2	95570599	1268 304 424		SYNCHRONIZER CONE	2 pcs.
3	95570600	1268 304 494	●	SYNCHRONIZER RING	2 pcs.
4	95570601	1268 304 525		SYNCHRONIZER RING	2 pcs.
5	95570551	1312 304 158		SYNCHRONIZER HUB	1 pc.
6	95570555	1310 304 175		SLIDING SLEEVE	1 pc.
7	95570643	1312 304 159		SLIDING BLOCK	3 pcs.
8	95531281	1295 298 956		REPAIR KIT	1 pc.



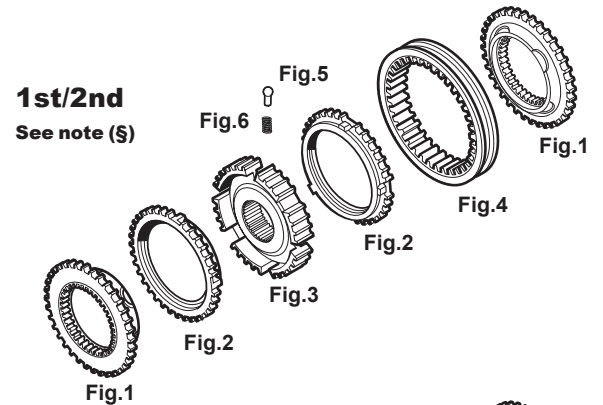
16S220 Kits

Fig.	Our No.	Part No.	TP	Description	Q.ty
	95531356	1295 298 962		SYNCHRONIZER KIT	
1	95530682	1296 233 006		SYNCHRONIZER CONE	1 pc.
2	95531084	1296 333 045		SYNCHRONIZER RING	2 pcs.
3	95530649	1296 333 023		SLIDING SLEEVE	1 pc.
4	95570726	1297 233 056		SYNCHRONIZER CONE	1 pc.
5	95530100	1240 304 278		SLIDING BLOCK	9 pcs.
6	95530270	0732 040 385		SPRING	9 pcs.
7	95530284	0732 040 386		SPRING	9 pcs.



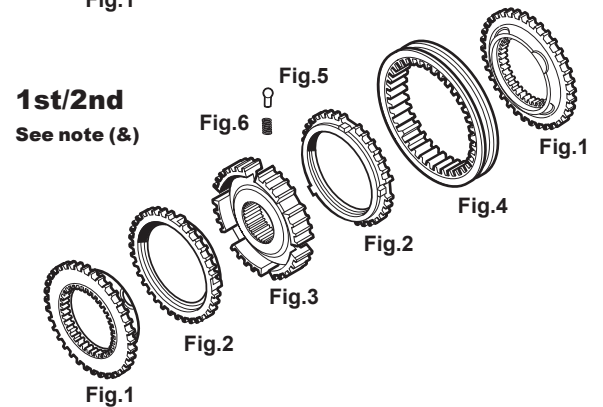
Synchronizer Kits OLD

Fig.	Our No.	Part No.	TP	Description	Q.ty
	95531705	1315 298 054		SYNCHRONIZER KIT 1ST/2ND	
1	95531630	1316 304 146		SYNCHRONIZER CONE 1ST/2ND	2 pcs.
2	95531629	1316 304 150		SYNCHRONIZER RING RH	2 pcs.
3	95531634	1316 304 148		SYNCHRONIZER HUB 1ST/2ND	1 pc.
4	95531627	1315 304 136		SLIDING SLEEVE	1 pc.
5	95570574	1297 304 436		SLIDE	3 pcs.
6	95570470	0732 040 409		PRESSURE SPRING	3 pcs.



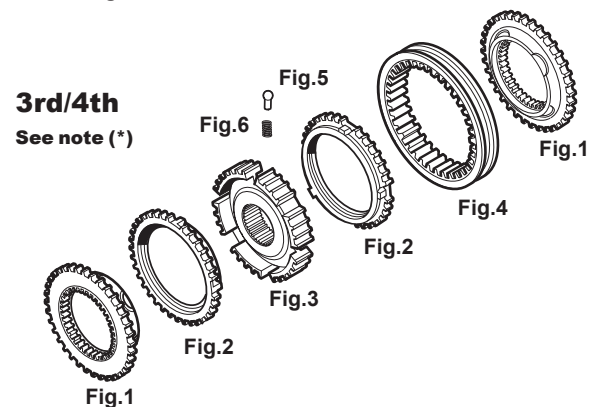
NEW

Fig.	Our No.	Part No.	TP	Description	Q.ty
	95534452	1315 298 060		SYNCHRONIZER KIT 1ST/2ND	
1	95534407	1316 304 156		SYNCHRONIZER CONE 1ST/2ND	2 pcs.
2	95534388	1316 304 170	●	SYNCHRONIZER RING LH	2 pcs.
3	95534408	1316 304 163		SYNCHRONIZER HUB 1ST/2ND	1 pc.
4	95534379	1316 304 169	●	SLIDING SLEEVE	1 pc.
5	95570574	1297 304 436		SLIDE	3 pcs.
6	95570470	0732 040 409		PRESSURE SPRING	3 pcs.



OLD

Fig.	Our No.	Part No.	TP	Description	Q.ty
	95531704	1315 298 055		SYNCHRONIZER KIT 3RD/4TH	
1	95531631	1316 304 145		SYNCHRONIZER CONE 3RD/4TH	2 pcs.
2	95531628	1316 304 149	●	SYNCHRONIZER RING	2 pcs.
3	95531633	1316 304 147		SYNCHRONIZER HUB 3RD/4TH	1 pc.
4	95531632	1315 304 135		SLIDING SLEEVE	1 pc.
5	95570574	1297 304 436		SLIDE	3 pcs.
6	95570470	0732 040 409		PRESSURE SPRING	3 pcs.

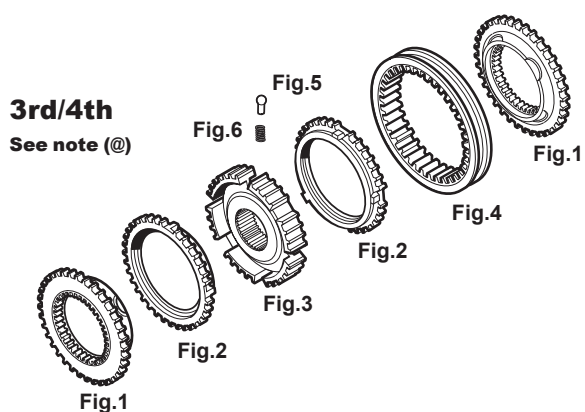




GEARBOX: 16S220

Synchronizer Kits NEW

Fig.	Our No.	Part No.	TP	Description	Q.ty
	95534453	1315 298 061		SYNCHRONIZER KIT 3RD/4TH	
1	95534409	1316 304 159		SYNCHRONIZER CONE 3RD/4TH	2 pcs.
2	95534389	1316 304 168	●	SYNCHRONIZER RING	2 pcs.
3	95534410	1316 304 162		SYNCHRONIZER HUB 3RD/4TH	1 pc.
4	95532442	1316 304 167	●	SLIDING SLEEVE	1 pc.
5	95570574	1297 304 436		SLIDE	3 pcs.
6	95570470	0732 040 409		PRESSURE SPRING	3 pcs.



16S220 Kits

Fig.	Our No.	Part No.	TP	Description	Q.ty
	95570597	1295 298 915	●	GASKET KIT	
	95534107	1313 301 038	■	GASKET	1 pc.
	95534112	1313 302 014	■	GASKET	1 pc.
		1313 306 012		GASKET	1 pc.
		1313 307 002		GASKET	1 pc.
		1313 307 020		GASKET	2 pcs.
		1313 307 003		GASKET	1 pc.
		1313 307 004		GASKET	1 pc.
		1313 307 022		GASKET	1 pc.
		1313 301 037		GASKET	1 pc.
		1313 301 036		GASKET	1 pc.
	95531593	1238 308 201	●	GASKET	1 pc.
		1313 307 005		GASKET	1 pc.
		1313 307 006		GASKET	1 pc.

95570597
1295 298 915

Gasket Kit



16S220 Kits

Fig.	Our No.	Part No.	TP	Description	Q.ty
	95534066	1312 298 902	■	SEAL RING KIT	
	95531553	0634 313 671	●	O-RING 80X3	1 pc.
	95532548	0750 112 089	●	RING 53X63X16,2	1 pc.
	95531941	0634 314 018	■	O-RING 59X2	1 pc.
	95531940	0634 314 017	NSS	O-RING 5,28X1,78	1 pc.
	95531674	0501 310 614	NSS	GASKET	1 pc.
	95532483	0634 801 013	NSS	SEAL RING	1 pc.
	95531069	0750 112 034	●	GASKET 25X38X14,2	2 pcs.
	95531939	0634 314 015	●	O-RING 68X4	1 pc.
	95531574	0634 801 324	NSS	SPACER 30X36 DIN7603	1 pc.
	95532550	0750 112 097	■	RING	2 pcs.
		0634 313 520		O-RING	1 pc.
	95531943	0634 314 020	●	O-RING 8X2	1 pc.
	95532558	0634 801 151	NSS	WASHER 14X20	8 pcs.
	95534377	0730 008 637	●	SEAL RING 24X29	4 pcs.
	95531966	0634 801 250	NSS	RING 38X44	1 pc.
	95531954	0634 801 074	NSS	RING 22X27	2 pcs.
	95532484	0634 801 028	NSS	SEAL RING 12X16	1 pc.
	95531568	0634 801 062	■	SEAL RING 18X24 DIN7603	8 pcs.
	95531009	0634 316 057	●	O-RING 36,2X3	1 pc.
	95531572	0634 801 205	NSS	SPACER 12X15,5 DIN7603	1 pc.
	95531950	0634 801 050	■	RING 16X22	2 pcs.
		0634 313 805		O-RING 82X4	1 pc.
	95531699	0501 317 536	●	RING	1 pc.

95534066
1312 298 902

Seal Ring Kit



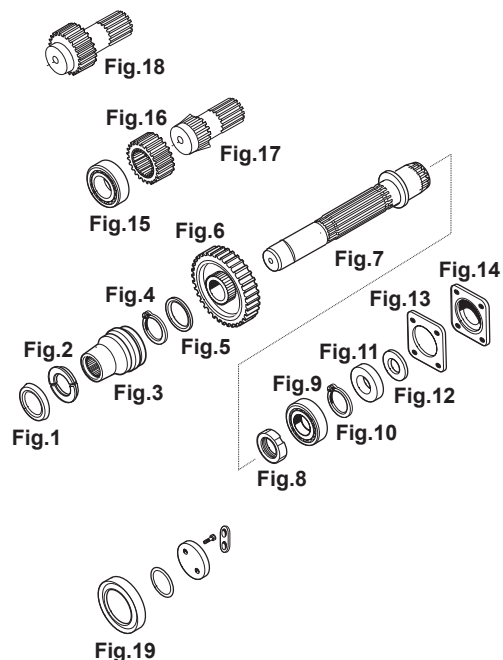


GEARBOX: 16S220

16S220 P.T.O. (Power Take Off)

Fig.	Our No.	Part No.	TP	Description	Note
1		1296 313 131		RING	
2		0730 104 627		RING	
3		1296 313 238		SLEEVE	
4		0630 531 133		LOCK RING	
5		0730 104 628		WASHER	
6		1296 313 082		GEAR 33 T	(A)
6		1296 313 083		GEAR 36 T	(B)
6		1296 313 084		GEAR 38 T	(C)
6		1296 313 085		GEAR 39 T	(D)
6		1296 313 086		GEAR 46 T	(E)
7	95531016	1296 213 028		INPUT SHAFT 12/18 T	
8		1296 313 125		RING	
9		0735 410 139		BEARING 40X80X23	
10		0630 531 314		SEEGER RING T.2,40 MM	
10		0630 531 315		SEEGER RING T.2,30 MM	
10		0630 501 135		SEEGER RING T.2,10 MM	
10		0630 531 049		SEEGER RING T.2,00 MM	
11		7429 032 102		RING	
12		1232 304 056		SHIM 1,60 MM	
12		1232 304 054		SHIM 1,40 MM	
12		1232 304 066		SHIM 1,20 MM	
12		1232 304 062		SHIM 1,00 MM	
13		0501 315 727		GASKET	
14		1250 313 190		COVER	
15		0635 416 308		BEARING	
16		1296 313 007		GEAR 27 T	(A)
16		1296 313 008		GEAR 24 T	(B)
17		1296 313 019		SHAFT	(AB)
18		1296 313 003		SHAFT 22 T.	(C)
18		1296 313 004		SHAFT 21 T.	(D)
18		1296 313 005		SHAFT 22 T.	(E)
19	95532542	0750 111 341	●	OIL SEAL 105X130X12	

N130 / N220



(A-B-C-D-E) To be used together.



16S220 Miscellaneous

Fig.	Our No.	Part No.	TP	Description	Note
1		0501 317 403		OIL FILTER	
2	95532507	0736 305 052	■	PLUG	
3	95531966	0634 801 250	NSS	RING 38X44	

