

**Z.F.**  
Gearbox

**EUR**

**95**

**CATALOGUE**  
Z.F.

**FILE**  
95CBM040.pdf

**SIZE**  
2,00MB

**No. PAGES**  
14

**RELEASE**  
11/2006

**MODELS**

**ECOMID 1304**

16S109 R.11,26-1,00

16S109 R.11,86-0,85

16S109 R.13,30-1,00

16S109 R.13,31-1,00

16S109 R.13,41-1,00

16S109 R.13,42-1,00

16S109 R.13,53-0,82

**GROUP**  
Gearbox

**Updated**  
**2006**

**Options**

**ONLY FOR CD-ROM CATALOGUES**



Home



Group



Back

%

Zoom  
Select



Print



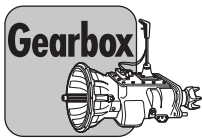
Page  
Search



Catalogue  
Search

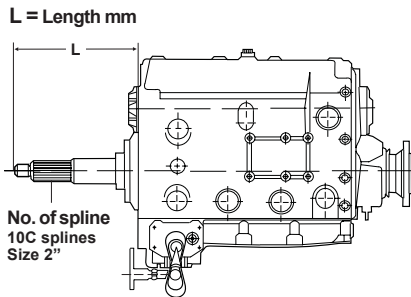


Exit

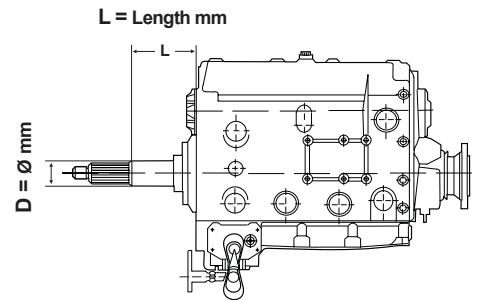


# GEARBOX: 16S109

## Input Shaft Technical Specification



## Front Cover Technical Specification

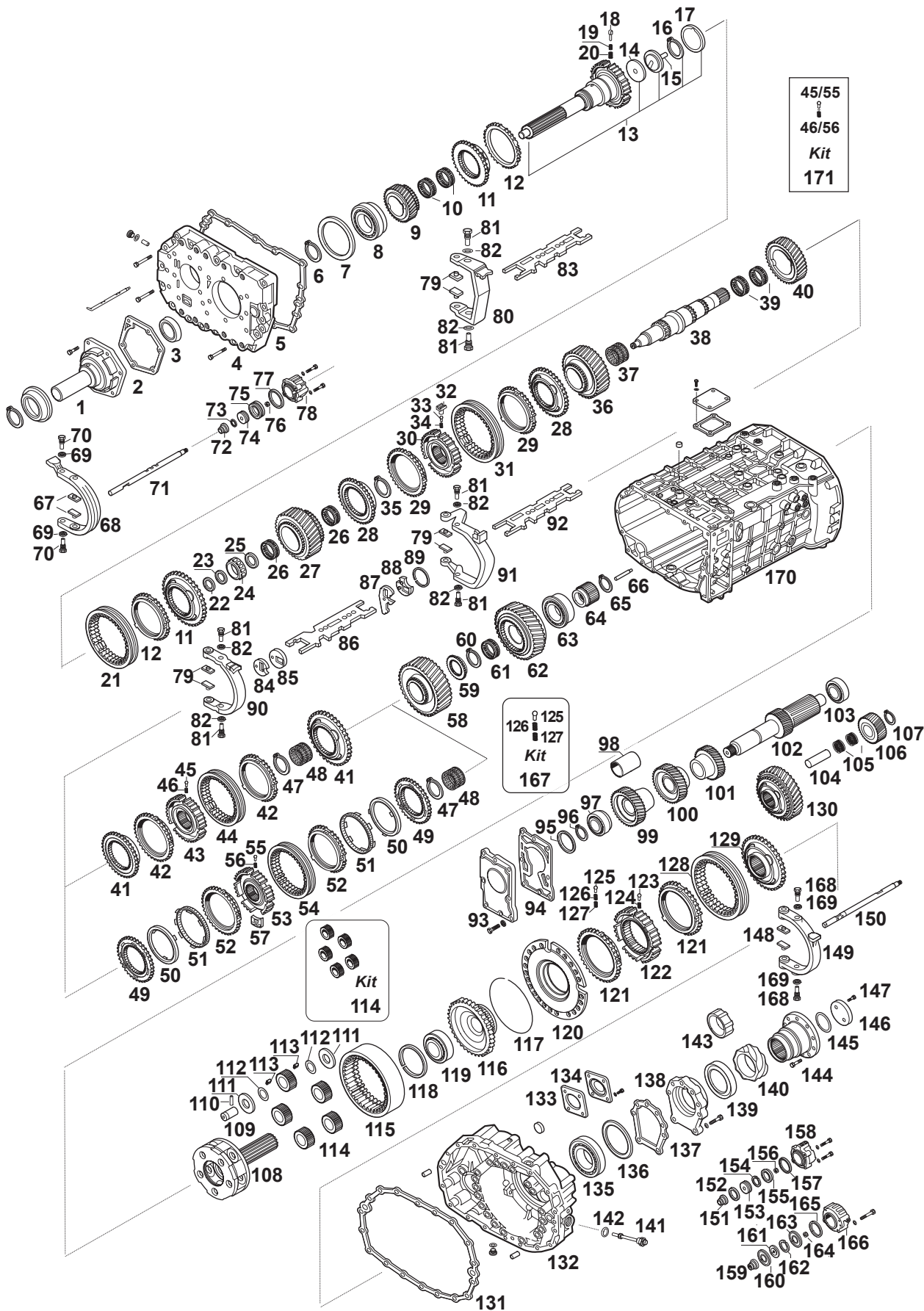
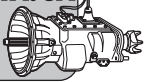


**Tab 1 - Input Shaft Table**

Our No.	TP	Input Shaft No.	Ratio	Teeth	Sizes	Cover No.	Clutch Type
95570578		1304 202 201	All	--	L=260 SAE 10C 1-3/4"	1304 302 317	
			.			1304 302 320	
			.			1304 302 444	
95570577		1304 202 202	All	--	L=286 SAE 10C 1-3/4"	1304 302 316	F&S GF420
			.			1304 302 318	
			.			1304 302 322	
95531622	■	1304 202 203	All	--	L=310 SAE 10C 1-3/4"	1304 302 319	
			.			1304 302 321	
		1304 202 204	All	--	L=320 SAE 10C 1-3/4"	1304 302 316	DAIKIN 430
			.			1304 302 319	VALEO 430DTE
		1304 221 010	All	--	L=261,6 SAE 10C 1-3/4"		F&S GNF420KR

**Tab 2 - Front Cover Table**

Fig.	Our No. TP	Cover No.	Input Shaft No.	Ratio	Sizes	Clutch Type
1		1304 302 316	1304 202 202	All	L=170 D=57	F&S GF420
			1304 202 204	All	L=170 D=57	DAIKIN 430
1		1304 302 317	1304 202 201	All	L=147 D=57	
1		1304 302 318	1304 202 202	All	L=170 D=54	
1		1304 302 319	1304 202 203	All	L=190 D=57	
			1304 202 204	All	L=190 D=57	VALEO 430DTE
1		1304 302 320	1304 202 201	All	L=170 D=70	
1		1304 302 321	1304 202 203	All	L=190 D=62,61	
1		1304 302 322	1304 202 202	All	L=147 D=60	
1	95533636	1304 302 444	1304 202 201	All	L=147 D=57	



OPTIONS



Fig.	Our No.	Part No.	Description	Note	TP	11,26-1,00	11,86-0,85	13,30-1,00	13,31-1,00	13,41-1,00	13,42-1,00								
1			SEE TAB 2 FRONT COVER																
2		0501 316 990	GASKET			■	■	■	■	■	■								
3	<b>95531581</b>	0750 111 149	OIL SEAL 48X65X10		●	■	■	■	■	■	■								
3		0634 310 201	OIL SEAL 90X110X13	(1)		■	■	■	■	■	■								
4		1304 301 331	HOUSING			■	■	■	■	■	■								
5		0666 791 001	SEAL COMPOUND	(6)		■	■	■	■	■	■								
5		0501 313 379	GASKET			■	■	■	■	■	■								
6		0730 501 360	SEEGER RING T.4,00 MM			■	■	■	■	■	■								
6		0730 501 354	SEEGER RING T.3,70 MM			■	■	■	■	■	■								
7		0730 004 810	WASHER T.2,50 MM			■	■	■	■	■	■								
7		0730 004 800	WASHER T.2,00 MM			■	■	■	■	■	■								
7		0730 005 639	WASHER T.1,60 MM			■	■	■	■	■	■								
8	<i>98531251</i>	0750 117 079	BEARING 66,6X117,4X30,1		■	■	■	■	■	■	■								
9		1304 302 169	CONSTANT GEAR			■	■	■	■	■	■								
9		1304 302 148	CONSTANT GEAR 29 T.				■												
9	<b>95570935</b>	1304 302 150	CONSTANT GEAR 30 T.								■								
10	<i>98531219</i>	0735 320 816	NEEDLE CAGE 75X83X23		■	■	■	■	■	■	■								
11	<b>95570575</b>	1304 302 188	SYNCHRONIZER CONE			■	■	■	■	■	■								
12	<i>95570576</i>	1304 304 496	SYNCHRONIZER RING	Old Type	◆	■	■	■	■	■	■								
12	<b>95533674</b>	1304 304 680	SYNCHRONIZER RING	New Type		■	■	■	■	■	■								
13	<b>95570578</b>	1304 202 201	INPUT SHAFT			■	■	■	■	■	■								
13	<b>95570577</b>	1304 202 202	INPUT SHAFT			■	■	■	■	■	■								
13	<i>95531622</i>	1304 202 203	INPUT SHAFT 36 T.		■	■	■	■	■	■	■								
13		1304 202 204	INPUT SHAFT			■	■	■	■	■	■								
13		1304 221 010	INPUT SHAFT			■	■	■	■	■	■								
14	<i>95570677</i>	0730 005 801	WASHER		NSS	■	■	■	■	■	■								
15	<i>95570675</i>	1304 302 440	COVER		NSS	■	■	■	■	■	■								
16	<i>95570674</i>	0630 502 063	SEEGER RING DIN472 58X2		NSS	■	■	■	■	■	■								
17	<i>95570676</i>	0501 311 146	DIAPHRAGM		NSS	■	■	■	■	■	■								
18	<b>95530100</b>	1240 304 278	SLIDING BLOCK	3 pcs.		■	■	■	■	■	■								
19	<b>95530284</b>	0732 040 386	SPRING	3 pcs.		■	■	■	■	■	■								
20	<b>95530270</b>	0732 040 385	SPRING	3 pcs.		■	■	■	■	■	■								
21	<b>95530026</b>	1240 304 272	SLIDING SLEEVE			■	■	■	■	■	■								
22		0730 063 154	RETAINER RING			■	■	■	■	■	■								
23		6085 201 057	SPLIT RING T.4.00 MM	OLD		■	■	■	■	■	■								

**Notes / Note :**

- (1) ONLY FOR INPUT SHAFT 1304 221 010
  - (2) ALTERNATIVE VERSION HAVING A DIFFERENT PLANETARY GROUP SYNCHRONIZATION . **TO BE COUPLED TOGETHER**
  - (3) ONLY FOR FLANGE : 1304 338 097 - 1304 338 104
  - (4) REPLACED BY 1 PC 1304 301 360 (FIG.132) + 1 PC 0636 304 048 (NOT ILLUSTRATED) + 1 PC 0634 801 044 (NOT ILLUSTRATED) + 1 PC 0636 302 021 (NOT ILLUSTRATED) + 1 PC 0634 801 055 (NOT ILLUSTRATED) + 1 PC 0630 361 071 (NOT ILLUSTRATED)
  - (5) **95531281** 1295 298 956 COMPOSED BY 6 PCS **95570574** 1297 304 436 (FIG.45/55) + 6 PCS **95570470** 0732 040 409 (FIG.46/56)
  - (6) 0666 791 001 (SEAL COMPOUND) + 0501 313 379 (GASKET) ARE IN THE KIT 1304 298 914 95531145
  - (\*) ONLY FOR DAF MODELS HAVING DOUBLE CONE SYNCHRO. FOR THIS MODELS USE FIG.49 TO 57 IN PLACE OF FIG. 41 TO 46
- Ratio 11,26-1,00 / 11,86-0,85 / 13,30-1,00 / 13,31-1,00 / 13,41-1,00 / 13,53-0,82 **SHORT TRAVEL SYNCHRO**  
 Ratio 13,42-1,00 **SHORT TRAVEL SYNCHRO AND DOUBLE CONE SYNCHRO**

*Continued*

*Our Parts are not original but perfectly interchangeable with the O.E.M ones. All original equipment manufacturers' names, numbers, symbols and descriptions used in this catalogue are for reference purposes only.*

*Tutti i nostri particolari non sono originali ma con essi intercambiabili. Tutti i riferimenti dei costruttori originali sono usati a semplice titolo indicativo.*



Fig.	Our No.	Part No.	Description	Note	TP	11,26-1,00	11,86-0,85	13,30-1,00	13,31-1,00	13,41-1,00	13,42-1,00	13,53-0,82						
23		1499 298 159	SPLIT RING T.4.00 MM	NEW		■	■	■	■	■	■	■						
23		6085 201 050	SPLIT RING T.3.50 MM	OLD		■	■	■	■	■	■	■						
23		1499 298 152	SPLIT RING T.3.50 MM	NEW		■	■	■	■	■	■	■						
24	98531244	0735 371 406	BEARING 32X33		■	■	■	■	■	■	■	■						
25		0501 314 139	WASHER			■	■	■	■	■	■	■						
26	98531248	0750 115 299	NEEDLE CAGE 59,5X81,5X22		■	■	■	■	■	■	■	■						
27	95570938	1304 304 516	GEAR 4TH SPEED		■		■	■	■	■	■							
27	95570937	1304 304 518	GEAR 4TH SPEED 27 T.			■					■							
28	95570487	1304 304 012	SYNCHRONIZER CONE			■	■	■	■	■	■	■						
29	95570353	1304 304 014	SYNCHRONIZER RING	Old Type		■	■	■	■	■	■	■						
29	95531086	1304 304 683	SYNCHRONIZER RING	New Type		■	■	■	■	■	■	■						
30	95570489	1304 304 515	SYNCHRONIZER HUB			■	■	■	■	■	■	■						
31	95533676	1304 304 688	SLIDING SLEEVE			■	■	■	■	■	■	■						
32	95570080	1238 304 394	SLIDING BLOCK	3 pcs.		■	■	■	■	■	■	■						
33	95570142	1249 304 222	PIN	3 pcs.		■	■	■	■	■	■	■						
34	95570470	0732 040 409	PRESSURE SPRING	3 pcs.		■	■	■	■	■	■	■						
35		0630 501 044	SEEGER RING T.2,50 MM			■	■	■	■	■	■	■						
35		0630 531 079	SEEGER RING T.2,00 MM			■	■	■	■	■	■	■						
36	95570941	1304 304 475	GEAR 3RD SPEED		■	■		■	■	■	■							
36		1304 304 417	GEAR 3RD SPEED				■					■						
37	98531219	0735 320 816	NEEDLE CAGE 75X83X23		■	■	■	■	■	■	■	■						
38		1304 304 630	MAIN SHAFT			■	■	■	■	■	■	■						
39	98531219	0735 320 816	NEEDLE CAGE 75X83X23		■	■	■	■	■	■	■	■						
40		1304 304 497	GEAR 2ND SPEED 32 T.			■		■	■	■	■							
40		1304 304 422	GEAR 2ND SPEED				■					■						
41	95570356	1304 304 408	SYNCHRONIZER CONE			■	■	■	■	■	■	■						
42	95570355	1304 304 542	SYNCHRONIZER RING	Old Type	◆	■	■	■	■	■	■	■						
42	95531087	1304 304 681	SYNCHRONIZER RING	New Type		■	■	■	■	■	■	■						
43	95570945	1304 304 653	SYNCHRONIZER HUB		■	■	■	■	■	■	■	■						
44	95570351	1304 304 597	SLIDING SLEEVE			■	■	■	■	■	■	■						
45	95570574	1297 304 436	SLIDE	3 pcs.		■	■	■	■	■	■	■						
46	95570470	0732 040 409	PRESSURE SPRING	3 pcs.		■	■	■	■	■	■	■						
47		0630 501 071	SEEGER RING T.2,70 MM			■	■	■	■	■	■	■						
47		0630 501 072	SEEGER RING T.2,60 MM			■	■	■	■	■	■	■						
47		0630 501 046	SEEGER RING T.2,50 MM			■	■	■	■	■	■	■						

**Notes / Note :**

- (1) ONLY FOR INPUT SHAFT 1304 221 010
  - (2) ALTERNATIVE VERSION HAVING A DIFFERENT PLANETARY GROUP SYNCHRONIZATION . **TO BE COUPLED TOGETHER**
  - (3) ONLY FOR FLANGE : 1304 338 097 - 1304 338 104
  - (4) REPLACED BY 1 PC 1304 301 360 (FIG.132) + 1 PC 0636 304 048 (NOT ILLUSTRATED) + 1 PC 0634 801 044 (NOT ILLUSTRATED) + 1 PC 0636 302 021 (NOT ILLUSTRATED) + 1 PC 0634 801 055 (NOT ILLUSTRATED) + 1 PC 0630 361 071 (NOT ILLUSTRATED)
  - (5) **95531281** 1295 298 956 COMPOSED BY 6 PCS **95570574** 1297 304 436 (FIG.45/55) + 6 PCS **95570470** 0732 040 409 (FIG.46/56)
  - (6) 0666 791 001 (SEAL COMPOUND) + 0501 313 379 (GASKET) ARE IN THE KIT 1304 298 914 95531145
  - (\*) ONLY FOR DAF MODELS HAVING DOUBLE CONE SYNCHRO. FOR THIS MODELS USE FIG.49 TO 57 IN PLACE OF FIG. 41 TO 46
- Ratio 11,26-1,00 / 11,86-0,85 / 13,30-1,00 / 13,31-1,00 / 13,41-1,00 / 13,53-0,82 **SHORT TRAVEL SYNCHRO**  
 Ratio 13,42-1,00 **SHORT TRAVEL SYNCHRO AND DOUBLE CONE SYNCHRO**

*Continued*

*Our Parts are not original but perfectly interchangeable with the O.E.M ones. All original equipment manufacturers' names, numbers, symbols and descriptions used in this catalogue are for reference purposes only.*  
 Tutti i nostri particolari non sono originali ma con essi intercambiabili. Tutti i riferimenti dei costruttori originali sono usati a semplice titolo indicativo.

Fig.	Our No.	Part No.	Description	Note	TP	11,26-1,00	11,86-0,85	13,30-1,00	13,31-1,00	13,41-1,00	13,42-1,00								
48		0750 115 224	NEEDLE BEARING 70X78X50			■	■	■	■	■	■								
49	95533669	1304 304 623	SYNCHRONIZER CONE	(*)	■						■								
50	95533296	1290 304 350	SYNCHRONIZER CONE	(*)	■						■								
51	<b>95533299</b>	1290 304 366	SYNCHRONIZER RING	(*)							■								
52	95533308	1290 304 438	SYNCHRONIZER RING	(*)	■						■								
53	<b>95533675</b>	1304 304 687	SYNCHRONIZER HUB 1ST/2ND	(*)							■								
54		6002 305 994	SLIDING SLEEVE	(*)							■								
55	<b>95570574</b>	1297 304 436	SLIDE	(*)-3 pcs.							■								
56	<b>95570470</b>	0732 040 409	PRESSURE SPRING	(*)-3 pcs.							■								
57	<b>95570643</b>	1312 304 159	SLIDING BLOCK	(*)-3 pcs.							■								
58		1304 304 358	GEAR 1ST SPEED 37 T.			■		■			■								
58		1304 304 376	GEAR 1ST SPEED 38 T.				■												■
58		1304 304 549	GEAR 1ST SPEED 37 T.						■	■									
59	95570948	1304 304 007	HUB 20 T		■	■	■	■	■	■	■	■							
60	95531766	0630 501 195	SEEGER RING T.2,80 MM		■	■	■	■	■	■	■	■							
60		0630 531 141	SEEGER RING T.2,50 MM			■	■	■	■	■	■	■							
61	98530182	0750 115 225	NEEDLE BEARING 60X68X39		■	■	■	■	■	■	■	■							
62		1304 304 669	REVERSE GEAR 32 T.			■		■			■								
62		1304 304 670	REVERSE GEAR 35 T.				■					■							
62		1304 304 671	REVERSE GEAR 35 T.						■	■									
63	<b>98530172</b>	0750 117 081	BEARING 50,8X104,7X30,1	Old Type	●	■	■	■	■	■	■	■							
63	98531246	0735 371 605	BEARING 50,8X104,7X30,1	New Type	■	■	■	■	■	■	■	■							
64	95570951	1304 304 261	SUN GEAR 29 T.		■	■	■	■											
64		1304 304 608	SUN GEAR 30 T.							■	■								
64		1304 304 199	SUN GEAR 21 T.									■							
65		0730 501 499	SEEGER RING T.3,50 MM			■	■	■	■	■	■	■							
65	95531830	0630 531 058	SEEGER RING T.3,00 MM		■	■	■	■	■	■	■	■							
65		0730 501 289	SEEGER RING T.2,50 MM			■	■	■	■	■	■	■							
66	95531608	1312 304 150	PIPE		■	■	■	■	■	■	■	■							
67	<b>95530330</b>	1268 312 057	SLIDE			■	■	■	■	■	■	■							
68		1304 312 003	FORK			■	■	■	■	■	■	■							
69		0630 302 064	WASHER			■	■	■	■	■	■	■							
70		1304 332 041	SCREW M20X1,5			■	■	■	■	■	■	■							
71		1304 312 005	TIE ROD			■	■	■	■	■	■	■							
72	<b>95531565</b>	0750 112 047	GASKET 22X36X14,5		●	■	■	■	■	■	■	■							

**Notes / Note :**

- (1) ONLY FOR INPUT SHAFT 1304 221 010
  - (2) ALTERNATIVE VERSION HAVING A DIFFERENT PLANETARY GROUP SYNCHRONIZATION . **TO BE COUPLED TOGETHER**
  - (3) ONLY FOR FLANGE : 1304 338 097 - 1304 338 104
  - (4) REPLACED BY 1 PC 1304 301 360 (FIG.132) + 1 PC 0636 304 048 (NOT ILLUSTRATED) + 1 PC 0634 801 044 (NOT ILLUSTRATED) + 1 PC 0636 302 021 (NOT ILLUSTRATED) + 1 PC 0634 801 055 (NOT ILLUSTRATED) + 1 PC 0630 361 071 (NOT ILLUSTRATED)
  - (5) **95531281** 1295 298 956 COMPOSED BY 6 PCS **95570574** 1297 304 436 (FIG.45/55) + 6 PCS **95570470** 0732 040 409 (FIG.46/56)
  - (6) 0666 791 001 (SEAL COMPOUND) + 0501 313 379 (GASKET) ARE IN THE KIT 1304 298 914 95531145
  - (\*) ONLY FOR DAF MODELS HAVING DOUBLE CONE SYNCHRO. FOR THIS MODELS USE FIG.49 TO 57 IN PLACE OF FIG. 41 TO 46
- Ratio 11,26-1,00 / 11,86-0,85 / 13,30-1,00 / 13,31-1,00 / 13,41-1,00 / 13,53-0,82 **SHORT TRAVEL SYNCHRO**  
 Ratio 13,42-1,00 **SHORT TRAVEL SYNCHRO AND DOUBLE CONE SYNCHRO**

Continued

*Our Parts are not original but perfectly interchangeable with the O.E.M ones. All original equipment manufacturers' names, numbers, symbols and descriptions used in this catalogue are for reference purposes only.*

Tutti i nostri particolari non sono originali ma con essi intercambiabili. Tutti i riferimenti dei costruttori originali sono usati a semplice titolo indicativo.

Fig.	Our No.	Part No.	Description	Note	TP	11,26-1,00	11,86-0,85	13,30-1,00	13,31-1,00	13,41-1,00	13,42-1,00	13,53-0,82						
73		0730 107 545	WASHER T.2,70 MM			■	■	■	■	■	■	■						
73		0730 107 541	WASHER T.1,50 MM			■	■	■	■	■	■	■						
74		1296 312 053	PISTON			■	■	■	■	■	■	■						
75	<b>95532548</b>	0750 112 089	RING 53X63X16,2		●	■	■	■	■	■	■	■						
76		0737 006 095	NUT M16X1,5			■	■	■	■	■	■	■						
77		0634 313 216	O-RING			■	■	■	■	■	■	■						
78		1304 334 038	CYLINDER	OLD		■	■	■	■	■	■	■						
78		1304 212 005	CYLINDER	NEW		■	■	■	■	■	■	■						
79	<b>95570490</b>	1290 306 066	SLIDING BLOCK			■	■	■	■	■	■	■						
80		1304 306 010	FORK			■	■	■	■	■	■	■						
80		1304 306 044	FORK			■	■	■	■	■	■	■						
81		1304 306 108	SCREW			■	■	■	■	■	■	■						
82		0730 300 093	WASHER			■	■	■	■	■	■	■						
83		1304 306 054	TIE ROD			■	■	■	■	■	■	■						
83		1304 306 056	TIE ROD			■	■	■	■	■	■	■						
84		1304 306 022	STOP SEGMENT			■	■	■	■	■	■	■						
85		1304 306 089	SUPPORT			■	■	■	■	■	■	■						
86		1304 306 055	TIE ROD			■	■	■	■	■	■	■						
86		1304 306 057	TIE ROD			■	■	■	■	■	■	■						
87		1304 306 060	LEVER			■	■	■	■	■	■	■						
87		1304 306 140	LEVER			■	■	■	■	■	■	■						
88		1304 306 091	SUPPORT			■	■	■	■	■	■	■						
88		1304 306 090	SUPPORT			■	■	■	■	■	■	■						
89		0730 009 856	RING			■	■	■	■	■	■	■						
90		1304 306 009	FORK			■	■	■	■	■	■	■						
90		1304 306 043	FORK			■	■	■	■	■	■	■						
91		1304 306 011	FORK			■	■	■	■	■	■	■						
92		1304 306 054	TIE ROD			■	■	■	■	■	■	■						
92		1304 306 056	TIE ROD			■	■	■	■	■	■	■						
93	<b>95531659</b>	0501 004 549	OIL PUMP		■	■	■	■	■	■	■	■						
94		1304 303 297	GASKET			■	■	■	■	■	■	■						
95		0730 003 418	WASHER T.3,00 MM			■	■	■	■	■	■	■						
95		0730 004 788	WASHER T.2,50 MM			■	■	■	■	■	■	■						
95		0730 001 799	WASHER T.2,00 MM			■	■	■	■	■	■	■						
96		0630 531 050	SEEGER RING T.2,50 MM			■	■	■	■	■	■	■						

**Notes / Note :**

- (1) ONLY FOR INPUT SHAFT 1304 221 010
  - (2) ALTERNATIVE VERSION HAVING A DIFFERENT PLANETARY GROUP SYNCHRONIZATION . **TO BE COUPLED TOGETHER**
  - (3) ONLY FOR FLANGE : 1304 338 097 - 1304 338 104
  - (4) REPLACED BY 1 PC 1304 301 360 (FIG.132) + 1 PC 0636 304 048 (NOT ILLUSTRATED) + 1 PC 0634 801 044 (NOT ILLUSTRATED) + 1 PC 0636 302 021 (NOT ILLUSTRATED) + 1 PC 0634 801 055 (NOT ILLUSTRATED) + 1 PC 0630 361 071 (NOT ILLUSTRATED)
  - (5) **95531281** 1295 298 956 COMPOSED BY 6 PCS **95570574** 1297 304 436 (FIG.45/55) + 6 PCS **95570470** 0732 040 409 (FIG.46/56)
  - (6) 0666 791 001 (SEAL COMPOUND) + 0501 313 379 (GASKET) ARE IN THE KIT 1304 298 914 95531145
  - (\*) ONLY FOR DAF MODELS HAVING DOUBLE CONE SYNCHRO. FOR THIS MODELS USE FIG.49 TO 57 IN PLACE OF FIG. 41 TO 46
- Ratio 11,26-1,00 / 11,86-0,85 / 13,30-1,00 / 13,31-1,00 / 13,41-1,00 / 13,53-0,82 **SHORT TRAVEL SYNCHRO**  
Ratio 13,42-1,00 **SHORT TRAVEL SYNCHRO AND DOUBLE CONE SYNCHRO**

*Continued*

*Our Parts are not original but perfectly interchangeable with the O.E.M ones. All original equipment manufacturers' names, numbers, symbols and descriptions used in this catalogue are for reference purposes only.*  
Tutti i nostri particolari non sono originali ma con essi intercambiabili. Tutti i riferimenti dei costruttori originali sono usati a semplice titolo indicativo.

Fig.	Our No.	Part No.	Description	Note	TP	11,26-1,00	11,86-0,85	13,30-1,00	13,31-1,00	13,41-1,00	13,42-1,00	13,53-0,82							
96		0630 531 049	SEEGER RING T.2,00 MM			■	■	■	■	■	■	■							
97	98531247	0735 371 749	BEARING 40X80X32 MM		■	■	■	■	■	■	■	■							
98		0730 063 211	BUSH			■													
99		1304 303 282	CONSTANT GEAR				■												
99		1304 303 273	CONSTANT GEAR					■	■	■	■								
99	95570955	1304 303 283	CONSTANT GEAR 31 T.									■							
100	95570958	1304 303 212	GEAR 4TH SPEED		■	■		■	■	■	■								
100	95570957	1304 303 175	GEAR 4TH SPEED 34 T.				■					■							
101	95570961	1304 303 214	GEAR 3RD SPEED		■	■		■	■	■	■								
101		1304 303 192	GEAR 3RD SPEED				■					■							
102		1304 303 276	COUNTERSHAFT			■		■			■								
102		1304 303 279	COUNTERSHAFT				■					■							
102		1304 303 277	COUNTERSHAFT						■	■									
103	98530082	0750 117 083	BEARING 50,8X95,2X27,7		●	■	■	■	■	■	■	■							
104		1304 305 030	REVERSE PIN			■	■	■	■	■	■	■							
105	98530230	0735 358 192	NEEDLE BEARING 40X60X26		■	■	■	■	■	■	■	■							
106		1304 305 039	REVERSE GEAR 22 T.			■		■			■								
106		1304 305 041	REVERSE GEAR 22 T.				■					■							
106		1304 305 040	REVERSE GEAR 21 T.						■	■									
107		0630 502 022	LOCK RING			■	■	■	■	■	■	■							
108		1304 232 088	PLANET CARRIER			■	■	■	■	■	■								
108		1304 232 086	PLANET CARRIER									■							
109	95570664	1304 332 111	PLANET SHAFT	5 pcs.		■	■	■	■	■	■	■							
110	95570882	0631 329 037	LOCK PIN 4X26	5 pcs.	●	■	■	■	■	■	■	■							
111	95530667	0501 304 692	THRUST WASHER	10 pcs.		■	■	■	■	■	■	■							
112	95530665	0730 103 102	SHIM	15 pcs.		■	■	■	■	■	■	■							
113	95570881	0735 470 115	NEEDLE D. 5	200 pcs.	●	■	■	■	■	■	■	■							
114		1304 232 026	GEAR SET (5 PCS)			■	■	■	■										
114		1304 232 054	GEAR SET (5 PCS)							■	■								
114		1304 232 022	GEAR SET (5 PCS)									■							
115	95570525	1304 332 178	CROWN 86 T.			■	■	■	■										
115		1304 332 134	RING GEAR 90 T.							■	■								
115		1304 332 043	RING GEAR 74 T.									■							
116	95570524	1304 332 060	CARRIER HUB 86 T.			■	■	■	■										
116	95533721	1304 332 215	CARRIER HUB 86 T.	(2)	■	■		■											

**Notes / Note :**

- (1) ONLY FOR INPUT SHAFT 1304 221 010
  - (2) ALTERNATIVE VERSION HAVING A DIFFERENT PLANETARY GROUP SYNCHRONIZATION . **TO BE COUPLED TOGETHER**
  - (3) ONLY FOR FLANGE : 1304 338 097 - 1304 338 104
  - (4) REPLACED BY 1 PC 1304 301 360 (FIG.132) + 1 PC 0636 304 048 (NOT ILLUSTRATED) + 1 PC 0634 801 044 (NOT ILLUSTRATED) + 1 PC 0636 302 021 (NOT ILLUSTRATED) + 1 PC 0634 801 055 (NOT ILLUSTRATED) + 1 PC 0630 361 071 (NOT ILLUSTRATED)
  - (5) **95531281** 1295 298 956 COMPOSED BY 6 PCS **95570574** 1297 304 436 (FIG.45/55) + 6 PCS **95570470** 0732 040 409 (FIG.46/56)
  - (6) 0666 791 001 (SEAL COMPOUND) + 0501 313 379 (GASKET) ARE IN THE KIT 1304 298 914 95531145
  - (\*) ONLY FOR DAF MODELS HAVING DOUBLE CONE SYNCHRO. FOR THIS MODELS USE FIG.49 TO 57 IN PLACE OF FIG. 41 TO 46
- Ratio 11,26-1,00 / 11,86-0,85 / 13,30-1,00 / 13,31-1,00 / 13,41-1,00 / 13,53-0,82 **SHORT TRAVEL SYNCHRO**  
 Ratio 13,42-1,00 **SHORT TRAVEL SYNCHRO AND DOUBLE CONE SYNCHRO**

Continued

*Our Parts are not original but perfectly interchangeable with the O.E.M ones. All original equipment manufacturers' names, numbers, symbols and descriptions used in this catalogue are for reference purposes only.*  
 Tutti i nostri particolari non sono originali ma con essi intercambiabili. Tutti i riferimenti dei costruttori originali sono usati a semplice titolo indicativo.



Fig.	Our No.	Part No.	Description	Note	TP	11,26-1,00	11,86-0,85	13,30-1,00	13,31-1,00	13,41-1,00	13,42-1,00	13,53-0,82							
116		1304 332 135	CARRIER HUB 90 T.							■	■								
116		1304 332 216	CARRIER HUB 90 T.	(2)						■	■								
116		1304 332 044	CARRIER HUB 74 T.									■							
116		1304 332 217	CARRIER HUB 74 T.	(2)								■							
117	95532347	0730 505 140	LOCK RING		■	■	■	■	■	■	■								
117		0730 505 092	LOCK RING									■							
118		0630 513 187	RING T.2,40 MM			■	■	■	■	■	■	■							
118		0630 513 191	RING T.2,00 MM			■	■	■	■	■	■	■							
118		0730 513 756	RETAINER RING T.2,40 MM	(2)		■			■	■	■	■							
118		0730 513 760	RETAINER RING T.2,00 MM	(2)		■			■	■	■	■							
119	98530080	0735 340 080	BEARING 70X90X10		■	■	■	■	■	■	■	■							
119	98530057	0750 116 165	BEARING 80X110X16	(2)	■			■	■	■	■	■							
120	95570520	1304 233 005	SYNCHRONIZER CONE			■	■	■	■	■	■	■							
120	95531333	1304 233 006	SYNCHRONIZER CONE	(2)		■			■	■	■	■							
121	95570667	1304 333 005	SYNCHRONIZER RING	Old Type		■	■	■	■	■	■	■							
121	95531088	1304 333 021	SYNCHRONIZER RING	New Type	◆	■	■	■	■	■	■	■							
121	95530648	1296 333 022	SYNCHRONIZER RING	(2) Old T.		■			■	■	■	■							
121	95531084	1296 333 045	SYNCHRONIZER RING	(2) New T.		■			■	■	■	■							
122	95570876	1304 332 066	SYNCHRONIZER HUB			■	■	■	■	■	■	■							
122	95570993	1313 333 001	SYNCHRONIZER HUB	(2)		■			■	■	■	■							
123	95530100	1240 304 278	SLIDING BLOCK	6 pcs.		■	■	■	■	■	■	■							
124	95530270	0732 040 385	SPRING	6 pcs.		■	■	■	■	■	■	■							
125	95530100	1240 304 278	SLIDING BLOCK	6 pcs.(2)		■			■	■	■	■							
126	95530270	0732 040 385	SPRING	6 pcs.(2)		■			■	■	■	■							
127	95530284	0732 040 386	SPRING	6 pcs.(2)		■			■	■	■	■							
128	95570522	1304 332 089	SLIDING SLEEVE			■	■	■	■	■	■	■							
128	95533724	1304 333 011	SLIDING SLEEVE	(2)		■			■	■	■	■							
129	95570666	1304 332 075	SYNCHRONIZER CONE			■	■	■	■	■	■	■							
129	95533621	1304 233 013	SYNCHRONIZER CONE	(2)		■			■	■	■	■							
130		1304 313 133	RETARDER GEAR						■	■	■	■							
130	95531332	1304 232 085	RETARDER GEAR 55 T.	(2)					■	■	■	■							
131		1304 301 063	GASKET			■	■	■	■	■	■	■							
131		0501 314 029	GASKET	(2)		■			■	■	■	■							
132		1304 301 316	COVER	OLD(4)		■	■	■	■	■	■	■							
132		1304 301 360	COVER	NEW		■	■	■	■	■	■	■							

**Notes / Note :**

- (1) ONLY FOR INPUT SHAFT 1304 221 010
  - (2) ALTERNATIVE VERSION HAVING A DIFFERENT PLANETARY GROUP SYNCHRONIZATION . **TO BE COUPLED TOGETHER**
  - (3) ONLY FOR FLANGE : 1304 338 097 - 1304 338 104
  - (4) REPLACED BY 1 PC 1304 301 360 (FIG.132) + 1 PC 0636 304 048 (NOT ILLUSTRATED) + 1 PC 0634 801 044 (NOT ILLUSTRATED) + 1 PC 0636 302 021 (NOT ILLUSTRATED) + 1 PC 0634 801 055 (NOT ILLUSTRATED) + 1 PC 0630 361 071 (NOT ILLUSTRATED)
  - (5) **95531281** 1295 298 956 COMPOSED BY 6 PCS **95570574** 1297 304 436 (FIG.45/55) + 6 PCS **95570470** 0732 040 409 (FIG.46/56)
  - (6) 0666 791 001 (SEAL COMPOUND) + 0501 313 379 (GASKET) ARE IN THE KIT 1304 298 914 95531145
  - (\*) ONLY FOR DAF MODELS HAVING DOUBLE CONE SYNCHRO. FOR THIS MODELS USE FIG.49 TO 57 IN PLACE OF FIG. 41 TO 46
- Ratio 11,26-1,00 / 11,86-0,85 / 13,30-1,00 / 13,31-1,00 / 13,41-1,00 / 13,53-0,82 **SHORT TRAVEL SYNCHRO**  
 Ratio 13,42-1,00 **SHORT TRAVEL SYNCHRO AND DOUBLE CONE SYNCHRO**

Continued

*Our Parts are not original but perfectly interchangeable with the O.E.M ones. All original equipment manufacturers' names, numbers, symbols and descriptions used in this catalogue are for reference purposes only.*  
 Tutti i nostri particolari non sono originali ma con essi intercambiabili. Tutti i riferimenti dei costruttori originali sono usati a semplice titolo indicativo.

Fig.	Our No.	Part No.	Description	Note	TP	11,26-1,00	11,86-0,85	13,30-1,00	13,31-1,00	13,41-1,00	13,42-1,00	13,53-0,82							
132		1304 301 320	COVER	(2)	■	■													
133	<b>95531593</b>	1238 308 201	GASKET		●	■	■	■	■	■	■	■							
134	95531377	1304 301 034	COVER		■	■	■	■	■	■	■	■							
135	98531249	0750 116 048	BEARING 78X130X25		■	■	■	■	■	■	■	■							
135	98531250	0750 116 197	BEARING 80X140X26	(2)	■			■	■	■	■	■							
136		0730 002 543	WASHER T.1,90 MM			■	■	■	■	■	■	■							
136		0730 002 546	WASHER T.1,60 MM			■	■	■	■	■	■	■							
136		0730 002 549	WASHER T.1,30 MM			■	■	■	■	■	■	■							
136		2049 309 534	WASHER T.2,00 MM	(2)		■			■	■	■	■							
136		0730 006 532	WASHER T.1,70 MM	(2)		■			■	■	■	■							
137		1304 301 109	GASKET			■	■	■	■	■	■	■							
138		1304 301 089	COVER			■	■	■	■	■	■	■							
139	<b>95531564</b>	0734 319 439	OIL SEAL 95X115X10		●	■	■	■	■	■	■	■							
140		1304 338 020	SPEEDOMETER GEAR			■	■	■	■	■	■	■							
141		1304 235 001	SPEEDOMETER SHAFT			■	■	■	■	■	■	■							
142	95531574	0634 801 324	SPACER 30X36 DIN7603		NSS	■	■	■	■	■	■	■							
143		1304 332 147	PULSE DISK			■	■	■	■	■	■	■							
144		1304 338 059	OUTPUT FLANGE			■	■	■	■	■	■	■							
144		1304 338 049	OUTPUT FLANGE			■	■	■	■	■	■	■							
144		1304 338 050	OUTPUT FLANGE			■	■	■	■	■	■	■							
144		1304 338 054	OUTPUT FLANGE			■	■	■	■	■	■	■							
144		1304 338 052	FLANGE D.180 - 10 HOLES			■	■	■	■	■	■	■							
144		1304 338 056	OUTPUT FLANGE			■	■	■	■	■	■	■							
144		1304 338 104	OUTPUT FLANGE	(2)		■			■	■	■	■							
144		1304 338 097	OUTPUT FLANGE	(2)		■			■	■	■	■							
145	95531577	0634 313 223	O-RING 59,2X5,7		■	■	■	■	■	■	■	■							
146	95533743	1304 338 045	WASHER		■	■	■	■	■	■	■	■							
146		1304 338 072	WASHER	(3)		■			■	■	■	■							
147		0636 016 173	SCREW M12X45			■	■	■	■	■	■	■							
147		0636 011 488	SCREW M12X55	(3)		■			■	■	■	■							
148	<b>95531658</b>	1272 334 003	SLIDING BLOCK (SAE430B)			■	■	■	■	■	■	■							
148	<b>95530104 M</b>	1272 334 003	SLIDING BLOCK (OT58)			■	■	■	■	■	■	■							
149	95533728	1304 334 039	FORK		■	■	■	■	■	■	■	■							
149		1304 334 063	FORK	(2)		■			■	■	■	■							
150		1304 334 009	TIE ROD			■	■	■	■	■	■	■							

**Notes / Note :**

- (1) ONLY FOR INPUT SHAFT 1304 221 010
  - (2) ALTERNATIVE VERSION HAVING A DIFFERENT PLANETARY GROUP SYNCHRONIZATION . **TO BE COUPLED TOGETHER**
  - (3) ONLY FOR FLANGE : 1304 338 097 - 1304 338 104
  - (4) REPLACED BY 1 PC 1304 301 360 (FIG.132) + 1 PC 0636 304 048 (NOT ILLUSTRATED) + 1 PC 0634 801 044 (NOT ILLUSTRATED) + 1 PC 0636 302 021 (NOT ILLUSTRATED) + 1 PC 0634 801 055 (NOT ILLUSTRATED) + 1 PC 0630 361 071 (NOT ILLUSTRATED)
  - (5) **95531281** 1295 298 956 COMPOSED BY 6 PCS **95570574** 1297 304 436 (FIG.45/55) + 6 PCS **95570470** 0732 040 409 (FIG.46/56)
  - (6) 0666 791 001 (SEAL COMPOUND) + 0501 313 379 (GASKET) ARE IN THE KIT 1304 298 914 95531145
  - (\*) ONLY FOR DAF MODELS HAVING DOUBLE CONE SYNCHRO. FOR THIS MODELS USE FIG.49 TO 57 IN PLACE OF FIG. 41 TO 46
- Ratio 11,26-1,00 / 11,86-0,85 / 13,30-1,00 / 13,31-1,00 / 13,41-1,00 / 13,53-0,82 **SHORT TRAVEL SYNCHRO**  
 Ratio 13,42-1,00 **SHORT TRAVEL SYNCHRO AND DOUBLE CONE SYNCHRO**

*Continued*

*Our Parts are not original but perfectly interchangeable with the O.E.M ones. All original equipment manufacturers' names, numbers, symbols and descriptions used in this catalogue are for reference purposes only.*

**Tutti i nostri particolari non sono originali ma con essi intercambiabili. Tutti i riferimenti dei costruttori originali sono usati a semplice titolo indicativo.**

Fig.	Our No.	Part No.	Description	Note	TP	11,26-1,00	11,86-0,85	13,30-1,00	13,31-1,00	13,41-1,00	13,42-1,00	13,53-0,82							
150		1304 334 075	TIE ROD	(2)	■														
151	<b>95531565</b>	0750 112 047	GASKET 22X36X14,5		●	■	■	■	■	■	■	■							
152	<b>95531566</b>	0734 307 296	RING 74X84X5		●	■	■	■	■	■	■	■							
153		1304 334 072	PISTON			■	■	■	■	■	■	■							
154	<i>95531567</i>	0750 145 003	RING 78X82,70X5,50 MM		■	■	■	■	■	■	■	■							
155	<b>95531566</b>	0734 307 296	RING 74X84X5		●	■	■	■	■	■	■	■							
156		0737 006 095	NUT M16X1,5			■	■	■	■	■	■	■							
157	<b>95531578</b>	0634 313 232	O-RING 95X2		●	■	■	■	■	■	■	■							
158	<b>95531623</b>	1304 334 061	CYLINDER			■	■	■	■	■	■	■							
159	<b>95531565</b>	0750 112 047	GASKET 22X36X14,5	(2)	●	■		■	■	■	■	■							
160	<b>95532396</b>	0734 307 287	OIL SEAL 50X100X7,5	(2)	●	■		■	■	■	■	■							
161		1315 334 041	PISTON	(2)		■		■	■	■	■	■							
162	<i>95532549</i>	0750 112 096	RING	(2)	■	■		■	■	■	■	■							
163	<b>95532396</b>	0734 307 287	OIL SEAL 50X100X7,5	(2)	●	■		■	■	■	■	■							
164		0737 006 095	NUT M16X1,5	(2)		■		■	■	■	■	■							
165	<i>95531932</i>	0634 313 338	O-RING 108X3	(2)	■	■		■	■	■	■	■							
166	<i>95533738</i>	1304 334 079	CYLINDER	(2)	■	■		■	■	■	■	■							
167	<b>95530679</b>	1272 298 934	REPAIR KIT	(2)		■		■	■	■	■	■							
168		1304 332 041	SCREW M20X1,5			■	■	■	■	■	■	■							
168		1315 334 011	SCREW M24X1,5	(2)		■		■	■	■	■	■							
169		0630 302 064	WASHER			■	■	■	■	■	■	■							
169	<i>95532301</i>	0730 300 005	WASHER	(2)	■	■		■	■	■	■	■							
170		1304 201 085	HOUSING			■	■	■		■	■	■							
170		1304 201 086	HOUSING					■	■	■	■	■							
171	<b>95531281</b>	1295 298 956	REPAIR KIT	(5)		■	■	■	■	■	■	■							

**Notes / Note :**

- (1) ONLY FOR INPUT SHAFT 1304 221 010
  - (2) ALTERNATIVE VERSION HAVING A DIFFERENT PLANETARY GROUP SYNCHRONIZATION . **TO BE COUPLED TOGETHER**
  - (3) ONLY FOR FLANGE : 1304 338 097 - 1304 338 104
  - (4) REPLACED BY 1 PC 1304 301 360 (FIG.132) + 1 PC 0636 304 048 (NOT ILLUSTRATED) + 1 PC 0634 801 044 (NOT ILLUSTRATED) + 1 PC 0636 302 021 (NOT ILLUSTRATED) + 1 PC 0634 801 055 (NOT ILLUSTRATED) + 1 PC 0630 361 071 (NOT ILLUSTRATED)
  - (5) **95531281** 1295 298 956 COMPOSED BY 6 PCS **95570574** 1297 304 436 (FIG.45/55) + 6 PCS **95570470** 0732 040 409 (FIG.46/56)
  - (6) 0666 791 001 (SEAL COMPOUND) + 0501 313 379 (GASKET) ARE IN THE KIT 1304 298 914 95531145
  - (\*) ONLY FOR DAF MODELS HAVING DOUBLE CONE SYNCHRO. FOR THIS MODELS USE FIG.49 TO 57 IN PLACE OF FIG. 41 TO 46
- Ratio 11,26-1,00 / 11,86-0,85 / 13,30-1,00 / 13,31-1,00 / 13,41-1,00 / 13,53-0,82 **SHORT TRAVEL SYNCHRO**
- Ratio 13,42-1,00 **SHORT TRAVEL SYNCHRO AND DOUBLE CONE SYNCHRO**

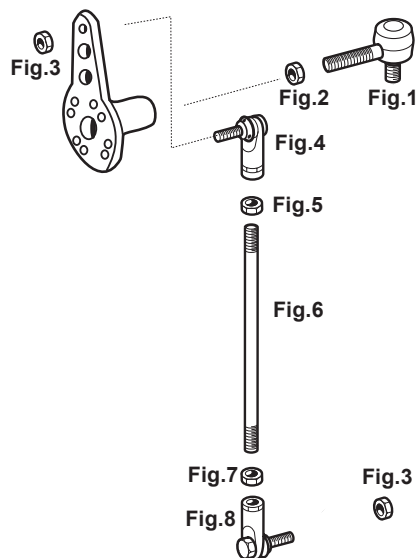
*Our Parts are not original but perfectly interchangeable with the O.E.M ones. All original equipment manufacturers' names, numbers, symbols and descriptions used in this catalogue are for reference purposes only.*

**Tutti i nostri particolari non sono originali ma con essi intercambiabili. Tutti i riferimenti dei costruttori originali sono usati a semplice titolo indicativo.**



**16S109 Selector Mechanism**

Fig.	Our No.	Part No.	TP	Description	Note
1	95531280	0501 204 714	●	BALL JOINT M14X1,5 RH	L=85 mm
2		0637 006 180		NUT	M14
3		0637 011 570		NUT	M10
4	95531251	0732 107 019	●	BALL JOINT M12X1,75 LF	L=55 mm
5		0637 006 215		NUT	M12
6		0736 620 053		ROD	
6		0736 620 058		ROD	
6		0736 620 067		ROD	
7		0637 006 202		NUT	M12
8	95531279	0732 107 018	●	BALL JOINT M12X1,75 RH	L=55 mm



**16S109 Kits**

Fig.	Our No.	Part No.	TP	Description	Note
		1304 204 050		SYNCHRONIZER KIT 3RD/4TH	
1	95570489	1304 304 515		SYNCHRONIZER HUB	1 pc.
2	95533676	1304 304 688		SLIDING SLEEVE	1 pc.
3	95570080	1238 304 394		SLIDING BLOCK	3 pcs.
4	95570142	1249 304 222		PIN	3 pcs.
5	95570470	0732 040 409		PRESSURE SPRING	3 pcs.

**3rd/4th**

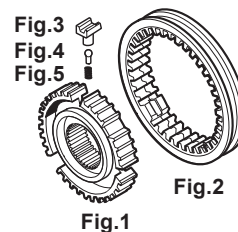


Fig.	Our No.	Part No.	TP	Description	Note
		1304 298 969		SYNCHRONIZER KIT 3RD/4TH	
1	95570487	1304 304 012		SYNCHRONIZER CONE	2 pcs.
2	95531086	1304 304 683		SYNCHRONIZER RING	2 pcs.
3	95570489	1304 304 515		SYNCHRONIZER HUB	1 pc.
4	95533676	1304 304 688		SLIDING SLEEVE	1 pc.
5	95570080	1238 304 394		SLIDING BLOCK	3 pcs.
6	95570142	1249 304 222		PIN	3 pcs.
7	95570470	0732 040 409		PRESSURE SPRING	3 pcs.

**3rd/4th**

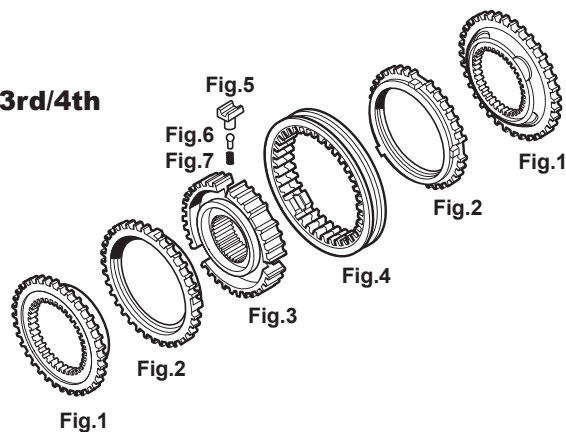


Fig.	Our No.	Part No.	TP	Description	Note
		1304 204 049		SYNCHRONIZER KIT 1ST/2ND	
1	95531087	1304 304 681		SYNCHRONIZER RING	2 pcs.
2	95570945	1304 304 653	■	SYNCHRONIZER HUB	1 pc.
3	95570351	1304 304 597		SLIDING SLEEVE	1 pc.
4	95570574	1297 304 436		SLIDE	3 pcs.
5	95570470	0732 040 409		PRESSURE SPRING	3 pcs.

**1st/2nd**

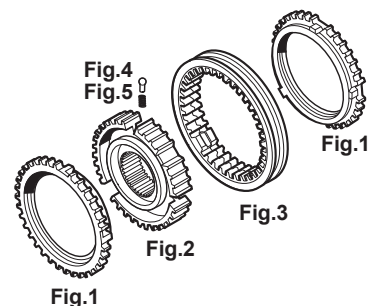


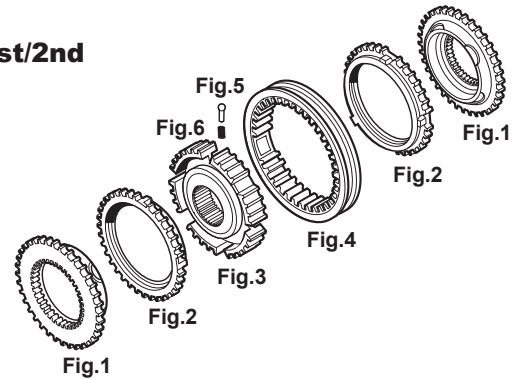
Fig.	Our No.	Part No.	TP	Description	Q.ty
	95534539	1304 298 968	■	SYNCHRONIZER KIT 1ST/2ND	
1	<b>95570356</b>	1304 304 408		SYNCHRONIZER CONE	2 pcs.
2	<b>95531087</b>	1304 304 681		SYNCHRONIZER RING	2 pcs.
3	95570945	1304 304 653	■	SYNCHRONIZER HUB	1 pc.
4	<b>95570351</b>	1304 304 597		SLIDING SLEEVE	1 pc.
5	<b>95570574</b>	1297 304 436		SLIDE	3 pcs.
6	<b>95570470</b>	0732 040 409		PRESSURE SPRING	3 pcs.

Fig.	Our No.	Part No.	TP	Description	Q.ty
		1304 204 059		SYNCHRONIZER KIT 1ST/2ND	
1	95533669	1304 304 623	■	SYNCHRONIZER CONE	2 pcs.
2	95533296	1290 304 350	■	SYNCHRONIZER CONE	2 pcs.
3	<b>95533299</b>	1290 304 366		SYNCHRONIZER RING	2 pcs.
4	95533308	1290 304 438	■	SYNCHRONIZER RING	2 pcs.
5	<b>95533675</b>	1304 304 687		SYNCHRONIZER HUB 1ST/2N	1 pc.
6		6002 305 994		SLIDING SLEEVE	1 pc.
7	<b>95570574</b>	1297 304 436		SLIDE	3 pcs.
8	<b>95570470</b>	0732 040 409		PRESSURE SPRING	3 pcs.
9	<b>95570643</b>	1312 304 159		SLIDING BLOCK	3 pcs.

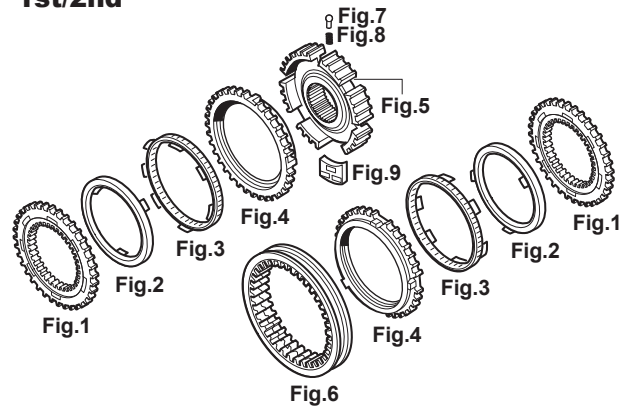
Fig.	Our No.	Part No.	TP	Description	Q.ty
	<b>95531145</b>	1304 298 914	●	GASKET KIT	
		0501 313 379		GASKET	1 pc.
		1304 307 437		GASKET	2 pcs.
	<b>95531584</b>	1290 301 140	●	GASKET	1 pc.
		0501 316 990		GASKET	1 pc.
		1304 303 297		GASKET	1 pc.
		0750 112 113		GASKET	1 pc.
	<b>95531588</b>	1304 307 338	●	GASKET	1 pc.
	<b>95531589</b>	0501 318 308	●	GASKET	2 pcs.
		1268 307 170		GASKET	2 pcs.
		1304 301 063		GASKET	1 pc.
		1304 301 109		GASKET	1 pc.
	<b>95531593</b>	1238 308 201	●	GASKET	1 pc.
		0666 791 001		SEAL COMPOUND	1 pc.
		1304 307 277		GASKET	1 pc.

Fig.	Our No.	Part No.	TP	Description	Q.ty
	<b>95531579</b>	1304 298 908	●	SEAL RING KIT	
	95531580	0734 310 230	NSS	OIL SEAL 55X72X10	1 pc.
	<b>95531581</b>	0750 111 149	●	OIL SEAL 48X65X10	1 pc.
	<b>95531247</b>	0634 300 302	●	OIL SEAL 25X35X7	1 pc.
	<b>95531248</b>	0634 307 367	●	OIL SEAL 25X35X7/10	1 pc.
	<b>95531564</b>	0734 319 439	●	OIL SEAL 95X115X10	1 pc.

### 1st/2nd

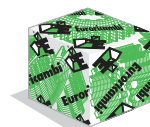


### 1st/2nd



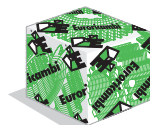
**95531145**  
1304 298 914

Gasket Kit

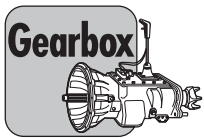


**95531579**  
1304 298 908

Oil Seal Kit







## GEARBOX: 16S109

### 16S109 Kits

Fig.	Our No.	Part No.	TP	Description	Q.ty
	<b>95531146</b>	1304 298 909	●	REPAIR KIT	
	<b>95531565</b>	0750 112 047	●	GASKET 22X36X14,5	1 pc.
	<b>95531566</b>	0734 307 296	●	RING 74X84X5	2 pcs.
	95531567	0750 145 003	■	RING 78X82,70X5,50 MM	1 pc.
	95531568	0634 801 062	■	SEAL RING 18X24 DIN7603	9 pcs.
		0634 801 044		SPACER 16X20 DIN7603	3 pcs.
		0634 801 321		SPACER 38X44 DIN7603	1 pc.
	95532153	0730 008 057	NSS	WASHER 14X19	1 pc.
	95531572	0634 801 205	NSS	SPACER 12X15,5 DIN7603	1 pc.
		0634 801 203		SPACER 16X22 DIN7603	2 pcs.
	95531574	0634 801 324	NSS	SPACER 30X36 DIN7603	1 pc.
	95532558	0634 801 151	NSS	WASHER 14X20	8 pcs.
		0634 306 169		O-RING 7X1,5	2 pcs.
	<b>95531009</b>	0634 316 057	●	O-RING 36,2X3	2 pcs.
	95531577	0634 313 223	■	O-RING 59,2X5,7	1 pc.
	<b>95531578</b>	0634 313 232	●	O-RING 95X2	1 pc.

**95531146**  
1304 298 909  
*Cylinder Repair Kit*

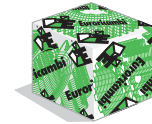


Fig.	Our No.	Part No.	TP	Description	Q.ty
		1304 298 910		CYLINDER REPAIR KIT	
	<b>95531565</b>	0750 112 047	●	GASKET 22X36X14,5	2 pcs.
	<b>95531566</b>	0734 307 296	●	RING 74X84X5	2 pcs.
	<b>95532548</b>	0750 112 089	●	RING 53X63X16,2	1 pc.
	95531567	0750 145 003	■	RING 78X82,70X5,50 MM	1 pc.
	95531568	0634 801 062	■	SEAL RING 18X24 DIN7603	10 pcs.
		0634 801 044		SPACER 16X20 DIN7603	3 pcs.
		0634 801 321		SPACER 38X44 DIN7603	1 pc.
	95532153	0730 008 057	NSS	WASHER 14X19	1 pc.
	95531572	0634 801 205	NSS	SPACER 12X15,5 DIN7603	5 pcs.
		0634 801 203		SPACER 16X22 DIN7603	3 pcs.
	95531574	0634 801 324	NSS	SPACER 30X36 DIN7603	1 pc.
	95532558	0634 801 151	NSS	WASHER 14X20	8 pcs.
	95531958	0634 801 015	NSS	SEAL RING 10X13,5	4 pcs.
	<b>95531009</b>	0634 316 057	●	O-RING 36,2X3	2 pcs.
	95531577	0634 313 223	■	O-RING 59,2X5,7	1 pc.
		0634 313 216		O-RING	1 pc.
	<b>95531578</b>	0634 313 232	●	O-RING 95X2	1 pc.

1304 298 910  
*Cylinder Repair Kit*



### 16S109 Miscellaneous

Fig.	Our No.	Part No.	TP	Description	Note
1		0501 317 403		OIL FILTER	
2	95532507	0736 305 052	■	PLUG	
3		0634 801 321		SPACER 38X44 DIN7603	

