

Z.F.
Gearbox

EURO

95

CATALOGUE
Z.F.

GROUP

16S151[®]

Updated
2007

FILE

95CBM060.pdf

SIZE

2,81MB

No. PAGES

28

RELEASE

04/2007

MODELS

ECOSPLIT III 1315

16S151 R.13,74-0,84

16S151 R.13,80-0,84

16S151 R.13,85-0,84

16S151 R.13,86-0,84

16S151 R.16,41-1,00

16S151 R.16,47-1,00

16S151 R.16,53-1,00

GROUP
Gearbox

Options

ONLY FOR CD-ROM CATALOGUES



Home



Group



Back

%

Zoom
Select



Print



Page
Search



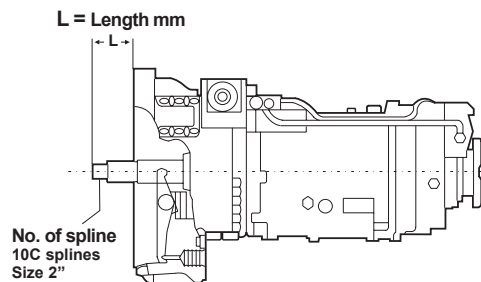
Catalogue
Search



Exit



Input Shaft Technical Specification



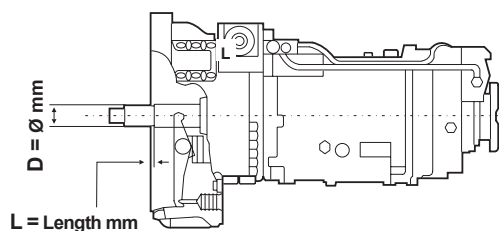
Tab 1 - Input Shaft Table

Our No.	TP	Input Shaft No.	Ratio	Teeth	Sizes	Cover No.	Clutch Type
95570579		1315 202 022	All	--	L=109 SAE 10C 2"	1315 302 045	F&S GMFZ430
						1315 302 047	
95531054		1315 202 037	All	--	L=109 SAE 10C 2"	1315 302 057	F&S GMFZ430
						1315 202 055	F&S GMFZ420
						1315 302 075	
						1315 302 113	
						1315 302 136	F&S MFZ430
						1315 302 193	VALEO 430DTE
		1315 202 038	All	--	L=109 SAE 10C 2"	1315 302 113	
95531472	■	1315 202 039	All	--	L=112 SAE 10C 2"	1315 302 134	F&S GMFZ2/380
95531473		1315 202 040	All	--	L=117 SAE 10C 2"	1315 302 057	
						1315 202 055	
		1315 202 041	All	--	L=117 SAE 10C 2"	1315 302 136	VALEO 430DTE
		1315 202 042	All	--	L=123 SAE 10C 2"	1315 302 124	F&S GMFZ2/350
		1315 202 043	All	--	L=129 SAE 10C 2"	1315 302 181	
		1315 202 044	All	--	L=144 SAE 10C 2"	1315 202 065	
		1315 202 045	All	--	L=165 SAE 10C 2"	1315 302 181	DAIKIN 15,5" - 2 DISKS
		1315 202 046	All	--	L=109 SAE 10C 2"	1315 302 136	VALEO 430DTE
						1315 302 136	F&S MFZ430
		1315 202 047	All	--	L=109 SAE 10C 2"	1315 302 141	DANA SP. 1552SA
		1315 202 048	All	--		4130 306 301	
		1315 202 050	All	--	L=117	1315 302 136	VALEO 430DTE
		1315 221 002	All		L=109 SAE 10C 2"		F&S MFZ430
							VALEO 430DTE

OPTIONS

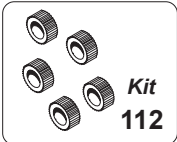
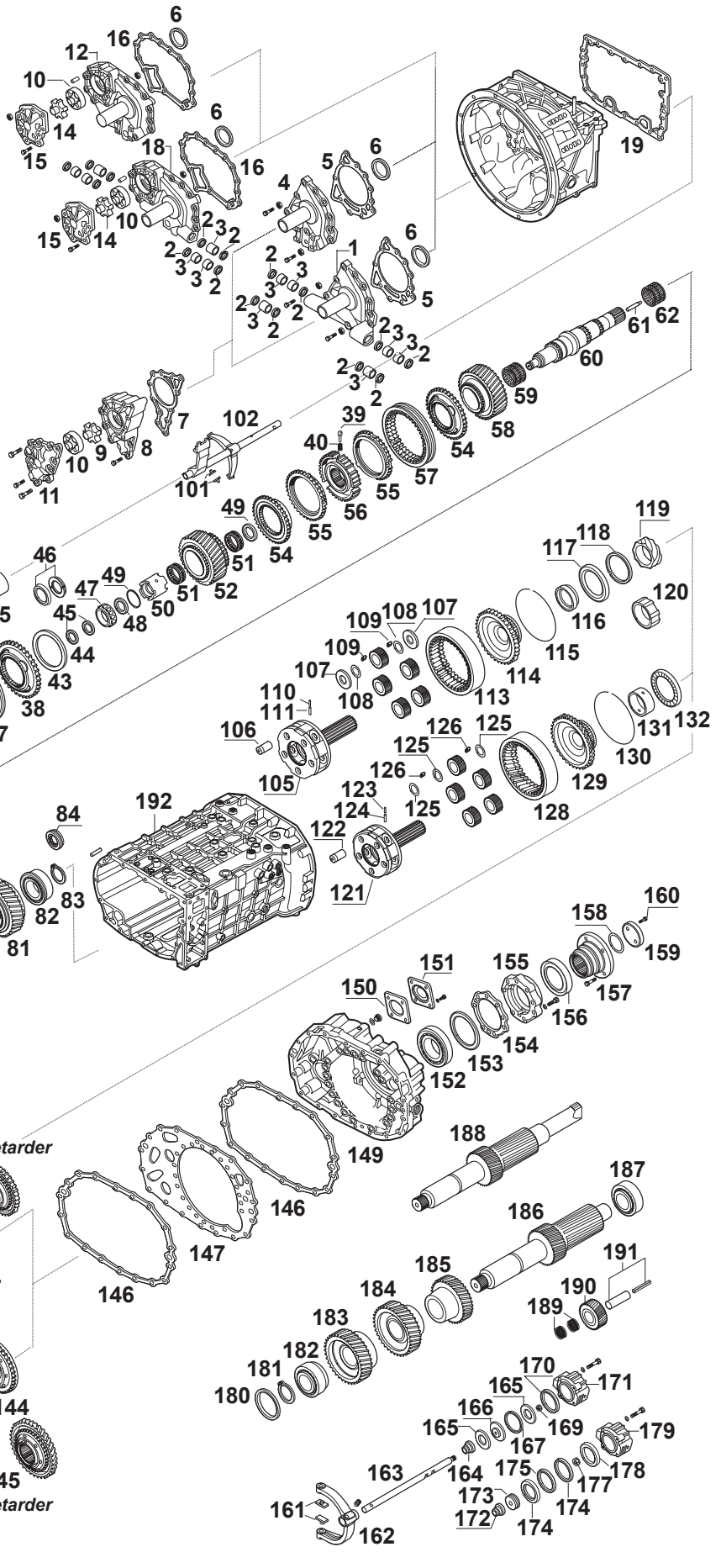


Front Cover Technical Specification

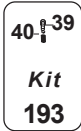


Tab 2 - Front Cover Table

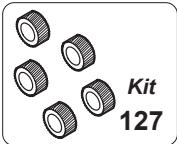
Fig.	Our No. TP	Cover No.	Input Shaft No.	Ratio	Sizes	Clutch Type
1		1315 202 055	1315 202 037	All	L=3 D=62,61	F&S GMFZ420
			1315 202 040	All	L=3 D=62,61	
1		1315 302 124	1315 202 042	All	L=7 D=66	F&S GMFZ2/350
1		1315 302 134	1315 202 039	All	L=7 D=60	GMFZ2/380
1		1315 302 141	1315 202 047	without tube	L=134	DANA SP.1552 SA
1		1315 202 065	1315 202 044	All	L=24 D=60	
1		1315 302 193	1315 202 037	All	L=7 D=60	VALEO 430DTE
4		1315 302 075	1315 202 037	All	L=7 D=60	VALEO 430DTE
4		1315 302 136	1315 202 037	All	L=7 D=60	F&S MFZ430
			1315 202 041	All	L=7 D=60	VALEO 430DTE
			1315 202 046	All	L=7 D=60	VALEO 430DTE
			1315 202 050	All	L=7 D=60	VALEO 430DTE
4		1315 302 181	1315 202 043	All	L=16 D=61	
			1315 202 045	All	L=16 D=61	DAIKIN 15,5" - 2 DISKS
12		1315 302 045	1315 202 022	All	L=7 D=60	F&S GMFZ430
12		1315 302 047	1315 202 022	All	L=7 D=60	
12		1315 302 113	1315 202 037	All	L=7 D=60	
			1315 202 038	All	L=7 D=60	
12		4130 306 301	1315 202 048	All		
18		1315 302 057	1315 202 037	All	L=3 D=62,61	F&S GMFZ430
			1315 202 040	All	L=3 D=62,61	



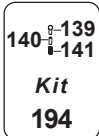
Kit
112



Kit
193



Kit
127



Kit
194

W/Retarder

W/Retarder

OPTIONS



Fig.	Our No.	Part No.	Description	Note	TP	A-R.13,74-0,84	BCDE-R.13,80-0,84	F-R.13,85-0,84	GH-R.13,86-0,84	NP-R.16,41-1,00	LM-R.16,47-1,00	Q-R.16,53-1,00							
1		SEE TAB 2	FRONT COVER																
2	95531678	0501 312 738	OIL SEAL 30X37X4		●	■	■	■	■	■	■	■							
3	95532298	0730 260 398	BUSH		■	■	■	■	■	■	■	■							
4		SEE TAB 2	FRONT COVER			■	■	■	■	■	■	■							
5	95531556	0501 314 587	GASKET		●	■	■	■	■	■	■	■							
6	95531973	0734 310 387	OIL SEAL 55X75X8		●	■	■	■	■	■	■	■							
6	95531557	0734 310 104	OIL SEAL 52X68X8	(7)	●	■	■	■	■	■	■	■							
6		0734 319 514	OIL SEAL 52X72X8	(8)	●	■	■	■	■	■	■	■							
7	95531687	0501 314 747	PAPER GASKET		■	■	■	■	■	■	■	■							
8	95531625	1315 302 121	BODY PUMP OIL		■	■	■	■	■	■	■	■							
9	95531143	1314 202 039	PUMP SHAFT		■	■	■	■	■	■	■	■							
10	95530070	1315 303 027	ROTOR		■	■	■	■	■	■	■	■							
11	95531624	1315 302 120	PUMP COVER		■	■	■	■	■	■	■	■							
12		SEE TAB 2	FRONT COVER			■	■	■	■	■	■	■							
14	95530213	1315 202 014	GEAR OIL PUMP		■	■	■	■	■	■	■	■							
15		1315 302 013	PUMP COVER			■	■	■	■	■	■	■							
16	95531685	0501 314 246	GASKET		NSS	■	■	■	■	■	■	■							
18		SEE TAB 2	FRONT COVER			■	■	■	■	■	■	■							
19	95534149	1315 301 233	GASKET		NSS	■	■	■	■	■	■	■							
21		0730 150 766	WASHER S.3,30 MM			■	■	■	■	■	■	■							
22		1315 302 040	SHIM			■	■	■	■	■	■	■							
23		0730 150 766	WASHER S.3,30 MM			■	■	■	■	■	■	■							
24		0730 501 598	SEEGER RING			■	■	■	■	■	■	■							
25		0730 007 134	SPACER T.1,50 MM			■	■	■	■	■	■	■							
25		0730 007 486	SPACER T.2,00 MM			■	■	■	■	■	■	■							
26	98530232	0750 117 732	BEARING 85X150X30,5		●	■	■	■	■	■	■	■							
26	98530094	0750 117 431	BEARING 75X150X30,5	(1)	●		■				■								
27	95531368	0730 062 579	LOCK RING T.4,20 MM	(1)			■				■								
28		1315 202 003	RING	(1)			■				■								
29		0730 108 513	SPLIT RING T.3,70 MM	(1)			■				■								
29		0730 108 143	SPLIT RING T.4,00 MM	(1)OLD			■				■								
29		1499 298 034	SPLIT RING T.4,00 MM	NEW			■				■								
30	95531055	1315 302 173	CONSTANT GEAR 34 T.	ABC		■	■												
30	95531404	1315 302 158	CONSTANT GEAR 35 T.	DEGH			■		■										
30	95530296	1315 302 008	CONSTANT GEAR 34 T.	F(1)				■											

Notes / Note :

- | | | |
|---|--|---|
| (1) ONLY FOR INPUT SHAFT 1315 202 022 | (14) REPLACED BY 1 PC 1315 305 009 + 1 PC 0631 329 293 | (P) DOUBLE CONE SYNCHRO - RATIO 16,41-1,00 |
| (2) SPECIAL VERSION FOR THE RATIOS 1315 312 030 (COMPL. 1315 212 004) AND 1315 312 022 (COMPL. 1315 212 003) USE FIG. 98-99-100 | (15) REPLACED BY 1 PC 1315 305 009 + 1 PC 0631 329 294 | (L) SHORT TRAVEL SYNCHRO - RATIO 16,47-1,00 |
| (3) SPECIAL VERSION TO BE COUPLED TOGETHER | (16) REPLACED BY 1 PC 1315 312 073 + 1 PC 1315 312 074 | (M) DOUBLE CONE SYNCHRO - RATIO 16,47-1,00 |
| (4) FOR MODELS HAVING FRONT COVER WITH OIL PUMP | (*)-(@)-(\$)-(&) TO BE COUPLED TOGETHER | (Q) DOUBLE CONE SYNCHRO - RATIO 16,53-1,00 |
| (5) FOR MODELS HAVING FRONT COVER WITHOUT OIL PUMP | (A) DOUBLE CONE SYNCHRO - RATIO 13,74-0,84 | |
| (6) OLD TYPE INPUT SHAFT HAVING NEEDLE BEARINGS (FIG.42) | (B) SHORT TRAVEL SYNCHRO - RATIO 13,80-0,84 | |
| (7) ONLY FOR INPUT SHAFT 1315 202 048 | (C) DOUBLE CONE SYNCHRO - RATIO 13,80-0,84 | |
| (8) ONLY FOR INPUT SHAFT 1315 221 002 | (D) SHORT TRAVEL SYNCHRO - RATIO 13,80-0,84 | |
| (9) ONLY FOR FLANGE 1297 330 110 + 1316 232 028 | (E) DOUBLE CONE SYNCHRO - RATIO 13,80-0,84 | |
| (10) ONLY FOR FLANGE 1313 338 002 - 1313 338 011 - 1315 238 001 | (F) DOUBLE CONE SYNCHRO - RATIO 13,85-0,84 | |
| (11) ONLY FOR FLANGE 1315 338 002 | (G) SHORT TRAVEL SYNCHRO - RATIO 13,86-0,84 | |
| (12) COMPOSED BY 1 PC SYNCHRONIZER CONE + 1 PC FLANGE | (H) DOUBLE CONE SYNCHRO - RATIO 13,86-0,84 | |
| (13) REPLACED BY 1 PC 1315 301 223 + 1 PC 1315 334 056 + 1 PC 0750 112 131 | (N) SHORT TRAVEL SYNCHRO - RATIO 16,41-1,00 | |

Continued

Our Parts are not original but perfectly interchangeable with the O.E.M ones. All original equipment manufacturers' names, numbers, symbols and descriptions used in this catalogue are for reference purposes only.

Tutti i nostri particolari non sono originali ma con essi intercambiabili. Tutti i riferimenti dei costruttori originali sono usati a semplice titolo indicativo.

Fig.	Our No.	Part No.	Description	Note	TP	A-R.13,74-0,84	BCDE-R.13,80-0,84	F-R.13,85-0,84	GH-R.13,86-0,84	NP-R.16,41-1,00	LM-R.16,47-1,00	Q-R.16,53-1,00							
30	95531470	1315 302 157	CONSTANT GEAR 30 T.	LMNP															
30	95530868	1315 302 007	CONSTANT GEAR 30 T.	Q(1)															
31	95570220	1312 304 027	SYNCHRONIZER CONE																
32	95570202	1297 304 402	SYNCHRONIZER RING	OLD TYPE															
32	95531072	1297 304 484	SYNCHRONIZER RING	NEW TYPE															
33	95531054	1315 202 037	INPUT SHAFT																
33		1315 202 038	INPUT SHAFT																
33	95531472	1315 202 039	INPUT SHAFT 48 T.		■														
33	95531473	1315 202 040	INPUT SHAFT 57 T.																
33		1315 202 041	INPUT SHAFT																
33		1315 202 042	INPUT SHAFT																
33		1315 202 043	INPUT SHAFT																
33		1315 202 044	INPUT SHAFT																
33		1315 202 045	INPUT SHAFT																
33		1315 202 046	INPUT SHAFT																
33		1315 202 047	INPUT SHAFT																
33		1315 202 048	INPUT SHAFT																
33		1315 202 050	INPUT SHAFT																
33		1315 221 002	INPUT SHAFT																
33	95570579	1315 202 022	INPUT SHAFT	(6)															
34	95570681	1315 302 196	TUBE		NSS														
35	95570682	0630 502 027	SEEGER RING DIN472 50X2		NSS														
36	95570683	0501 314 060	DIAPHRAGM		●														
37	95570219	1310 304 202	SLIDING SLEEVE 3RD/4TH SP																
38	95570241	1312 304 056	SYNCHRONIZER CONE																
39	95570574	1297 304 436	SLIDE	3 pcs.															
40	95570470	0732 040 409	PRESSURE SPRING	3 pcs.															
41		4130 309 063	PULSE DISK	(7)															
42	98530343	0735 321 437	NEEDLE BEARING 93X110X25	(1)	■														
43		0730 007 747	LOCK RING T.3,00 MM																
43		0730 006 171	LOCK RING T.3,50 MM																
44	95531369	0730 062 781	LOCK RING		■														
45		1312 204 040	RING																
46		0730 107 019	SPLIT RING T.4,60 MM	OLD															
46		1499 298 023	SPLIT RING T.4,60 MM	NEW															

Notes / Note :

- | | | |
|---|--|---|
| (1) ONLY FOR INPUT SHAFT 1315 202 022 | (14) REPLACED BY 1 PC 1315 305 009 + 1 PC 0631 329 293 | (P) DOUBLE CONE SYNCHRO - RATIO 16,41-1,00 |
| (2) SPECIAL VERSION FOR THE RATIOS 1315 312 030 (COMPL. 1315 212 004) AND 1315 312 022 (COMPL. 1315 212 003) USE FIG. 98-99-100 | (15) REPLACED BY 1 PC 1315 305 009 + 1 PC 0631 329 294 | (L) SHORT TRAVEL SYNCHRO - RATIO 16,47-1,00 |
| (3) SPECIAL VERSION TO BE COUPLED TOGETHER | (16) REPLACED BY 1 PC 1315 312 073 + 1 PC 1315 312 074 | (M) DOUBLE CONE SYNCHRO - RATIO 16,47-1,00 |
| (4) FOR MODELS HAVING FRONT COVER WITH OIL PUMP | (*)-(@)-(\$)-(&) TO BE COUPLED TOGETHER | (Q) DOUBLE CONE SYNCHRO - RATIO 16,53-1,00 |
| (5) FOR MODELS HAVING FRONT COVER WITHOUT OIL PUMP | (A) DOUBLE CONE SYNCHRO - RATIO 13,74-0,84 | |
| (6) OLD TYPE INPUT SHAFT HAVING NEEDLE BEARINGS (FIG.42) | (B) SHORT TRAVEL SYNCHRO - RATIO 13,80-0,84 | |
| (7) ONLY FOR INPUT SHAFT 1315 202 048 | (C) DOUBLE CONE SYNCHRO - RATIO 13,80-0,84 | |
| (8) ONLY FOR INPUT SHAFT 1315 221 002 | (D) SHORT TRAVEL SYNCHRO - RATIO 13,80-0,84 | |
| (9) ONLY FOR FLANGE 1297 330 110 + 1316 232 028 | (E) DOUBLE CONE SYNCHRO - RATIO 13,80-0,84 | |
| (10) ONLY FOR FLANGE 1313 338 002 - 1313 338 011 - 1315 238 001 | (F) DOUBLE CONE SYNCHRO - RATIO 13,85-0,84 | |
| (11) ONLY FOR FLANGE 1315 338 002 | (G) SHORT TRAVEL SYNCHRO - RATIO 13,86-0,84 | |
| (12) COMPOSED BY 1 PC SYNCHRONIZER CONE + 1 PC FLANGE | (H) DOUBLE CONE SYNCHRO - RATIO 13,86-0,84 | |
| (13) REPLACED BY 1 PC 1315 301 223 + 1 PC 1315 334 056 + 1 PC 0750 112 131 | (N) SHORT TRAVEL SYNCHRO - RATIO 16,41-1,00 | |

Continued

Our Parts are not original but perfectly interchangeable with the O.E.M ones. All original equipment manufacturers' names, numbers, symbols and descriptions used in this catalogue are for reference purposes only.

Tutti i nostri particolari non sono originali ma con essi intercambiabili. Tutti i riferimenti dei costruttori originali sono usati a semplice titolo indicativo.

Fig.	Our No.	Part No.	Description	Note	TP	A-R.13,74-0,84	BCDE-R.13,80-0,84	F-R.13,85-0,84	GH-R.13,86-0,84	NP-R.16,41-1,00	LM-R.16,47-1,00	Q-R.16,53-1,00							
46	95531559	0730 107 023	SPLIT RING T.5,00 MM	OLD	■														
46		1499 298 027	SPLIT RING T.5,00 MM	NEW															
47	98530174	0750 117 232	NEEDLE BEARING 42X40,3		●														
48		1315 304 043	WASHER S.7,50 MM																
48		1315 304 048	WASHER S.8,00 MM																
49		0750 101 158	WASHER	Excl.FQ															
50	95532623	0750 119 125	RING 67X77X54,1	Excl.FQ	■														
51	98530305	0750 115 534	NEEDLE BEARING 77X101X29	Excl.FQ	■														
51	98530189	0750 118 198	NEEDLE BEARING 67X101X32	FQ	●														
52	95530340	1315 304 017	GEAR 4TH SPEED 30 T.	ABCF															
52	95531241	1315 304 089	GEAR 4TH 32 T.	DEGHLMPQ															
54	95570220	1312 304 027	SYNCHRONIZER CONE																
54	95531631	1316 304 145	SYNCHRONIZER CONE 3RD/4TH (*)																
54	95534409	1316 304 159	SYNCHRONIZER CONE 3RD/4TH (@)																
55	95570202	1297 304 402	SYNCHRONIZER RING	OLD TYPE															
55	95531072	1297 304 484	SYNCHRONIZER RING	NEW TYPE															
55	95531628	1316 304 149	SYNCHRONIZER RING	(*)	●														
55	95534389	1316 304 168	SYNCHRONIZER RING	(@)	●														
56	95570839	1312 304 052	SYNCHRONIZER HUB 3RD/4TH																
56	95531633	1316 304 147	SYNCHRONIZER HUB 3RD/4TH (*)																
56	95534410	1316 304 162	SYNCHRONIZER HUB 3RD/4TH (@)																
57	95570219	1310 304 202	SLIDING SLEEVE 3RD/4TH SP																
57	95531632	1315 304 135	SLIDING SLEEVE (*)																
57	95532442	1316 304 167	SLIDING SLEEVE (@)		●														
58	95530378	1315 304 028	GEAR 3RD SPEED 32 T.	ABCF															
58	95530897	1315 304 027	GEAR 3RD SPEED 34 T.	DEGHLMPQ															
59	98530190	0735 321 087	NEEDLE BEARING 92X100X53W		■														
60	95531242	1315 304 131	MAIN SHAFT 23 T.	ADENP															
60	95531244	1315 304 130	MAIN SHAFT 24 T.	BCGHLM															
60	95570581	1315 304 029	MAIN SHAFT 25 T.	FQ															
61	95531608	1312 304 150	PIPE		■														
62	98530190	0735 321 087	NEEDLE BEARING 92X100X53W		■														
63	95530507	1315 304 026	GEAR 2ND SPEED 37 T.	ABCF															
63	95570025	1315 304 025	GEAR 2ND SPEED 38 T.	DEGHLMPQ															
64	95570224	1313 304 009	SYNCHRONIZER CONE	BDGLN															

Notes / Note :

- | | | |
|---|--|---|
| (1) ONLY FOR INPUT SHAFT 1315 202 022 | (14) REPLACED BY 1 PC 1315 305 009 + 1 PC 0631 329 293 | (P) DOUBLE CONE SYNCHRO - RATIO 16,41-1,00 |
| (2) SPECIAL VERSION FOR THE RATIOS 1315 312 030 (COMPL. 1315 212 004) AND 1315 312 022 (COMPL. 1315 212 003) USE FIG. 98-99-100 | (15) REPLACED BY 1 PC 1315 305 009 + 1 PC 0631 329 294 | (L) SHORT TRAVEL SYNCHRO - RATIO 16,47-1,00 |
| (3) SPECIAL VERSION TO BE COUPLED TOGETHER | (16) REPLACED BY 1 PC 1315 312 073 + 1 PC 1315 312 074 | (M) DOUBLE CONE SYNCHRO - RATIO 16,47-1,00 |
| (4) FOR MODELS HAVING FRONT COVER WITH OIL PUMP | + 1 PC 1315 312 047 | (Q) DOUBLE CONE SYNCHRO - RATIO 16,53-1,00 |
| (5) FOR MODELS HAVING FRONT COVER WITHOUT OIL PUMP | (*)-(@)-(\$)-(&) TO BE COUPLED TOGETHER | |
| (6) OLD TYPE INPUT SHAFT HAVING NEEDLE BEARINGS (FIG.42) | (A) DOUBLE CONE SYNCHRO - RATIO 13,74-0,84 | |
| (7) ONLY FOR INPUT SHAFT 1315 202 048 | (B) SHORT TRAVEL SYNCHRO - RATIO 13,80-0,84 | |
| (8) ONLY FOR INPUT SHAFT 1315 221 002 | (C) DOUBLE CONE SYNCHRO - RATIO 13,80-0,84 | |
| (9) ONLY FOR FLANGE 1297 330 110 + 1316 232 028 | (D) SHORT TRAVEL SYNCHRO - RATIO 13,80-0,84 | |
| (10) ONLY FOR FLANGE 1313 338 002 - 1313 338 011 - 1315 238 001 | (E) DOUBLE CONE SYNCHRO - RATIO 13,80-0,84 | |
| (11) ONLY FOR FLANGE 1315 338 002 | (F) DOUBLE CONE SYNCHRO - RATIO 13,85-0,84 | |
| (12) COMPOSED BY 1 PC SYNCHRONIZER CONE + 1 PC FLANGE | (G) SHORT TRAVEL SYNCHRO - RATIO 13,86-0,84 | |
| (13) REPLACED BY 1 PC 1315 301 223 + 1 PC 1315 334 056 + 1 PC 0750 112 131 | (H) DOUBLE CONE SYNCHRO - RATIO 13,86-0,84 | |
| + 1 PC 0634 314 020 | (N) SHORT TRAVEL SYNCHRO - RATIO 16,41-1,00 | |

Continued

Our Parts are not original but perfectly interchangeable with the O.E.M ones. All original equipment manufacturers' names, numbers, symbols and descriptions used in this catalogue are for reference purposes only.
Tutti i nostri particolari non sono originali ma con essi intercambiabili. Tutti i riferimenti dei costruttori originali sono usati a semplice titolo indicativo.

Fig.	Our No.	Part No.	Description	Note	TP	A-R.13,74-0,84	BCDE-R.13,80-0,84	F-R.13,85-0,84	GH-R.13,86-0,84	NP-R.16,41-1,00	LM-R.16,47-1,00	Q-R.16,53-1,00							
64	95531630	1316 304 146	SYNCHRONIZER CONE 1ST/2ND	(S)		■													
64	95534407	1316 304 156	SYNCHRONIZER CONE 1ST/2ND	(&)		■													
65	95570217	1297 304 401	SYNCHRONIZER RING	BDGLN-OLD		■													
65	95531085	1297 304 485	SYNCHRONIZER RING	BDGLN-NEW		■													
65	95531629	1316 304 150	SYNCHRONIZER RING RH	(S)		■													
65	95534388	1316 304 170	SYNCHRONIZER RING LH	(&)	●	■													
66	95570896	1313 304 008	SYNCHRONIZER HUB	BDGLN		■													
66	95531634	1316 304 148	SYNCHRONIZER HUB 1ST/2ND	(S)		■													
66	95534408	1316 304 163	SYNCHRONIZER HUB 1ST/2ND	(&)		■													
67	95570218	1316 304 078	SLIDING SLEEVE 1ST/2ND	BDGLN		■													
67	95531627	1315 304 136	SLIDING SLEEVE	(S)		■													
67	95534379	1316 304 169	SLIDING SLEEVE	(&)	●	■													
68	95570642	1312 304 106	SYNCHRONIZER CONE	ACEFHMPQ		■	■	■	■	■	■	■							
69	95570599	1268 304 424	SYNCHRONIZER CONE	ACEFHMPQ		■	■	■	■	■	■	■							
70	95570600	1268 304 494	SYNCHRONIZER RING	ACEFHMPQ	●	■	■	■	■	■	■	■							
71	95570601	1268 304 525	SYNCHRONIZER RING	ACEFHMPQ		■	■	■	■	■	■	■							
72	95570551	1312 304 158	SYNCHRONIZER HUB	ACEFHMPQ		■	■	■	■	■	■	■							
73	95570555	1310 304 175	SLIDING SLEEVE	ACEFHMPQ		■	■	■	■	■	■	■							
74	95570643	1312 304 159	SLIDING BLOCK	ACEFHMPQ		■	■	■	■	■	■	■							
75	95570898	1313 304 038	BUSH			■	■	■	■	■	■	■							
76	98530192	0750 115 325	NEEDLE BEARING 96X104X55W		■	■	■	■	■	■	■	■							
77	95530651	1315 304 014	GEAR 1ST SPEED 44 T.	ABCF		■	■												
77	95570299	1315 304 004	GEAR 1ST SPEED 47 T.	DEGHLMPQ		■	■												
78	95570998	1315 304 018	FOLLOWER RING			■	■	■	■	■	■	■							
79	95570974	1315 304 132	BUSH			■	■	■	■	■	■	■							
80	98530318	0750 115 324	NEEDLE BEARING 90X98X41		■	■	■	■	■	■	■	■							
81	95530750	1315 304 013	REVERSE GEAR 42 T.	ABCF		■	■												
81	95570364	1315 304 006	REVERSE GEAR 44 T.	DEGHLMPQ		■	■												
82	98530170	0750 117 677	BEARING 80X130X36		●	■	■	■	■	■	■	■							
83		0630 501 312	SEEGER RING T.3,10 MM			■	■	■	■	■	■	■							
83		0630 501 316	SEEGER RING T.3,50 MM			■	■	■	■	■	■	■							
84		1315 332 054	FOLLOWER RING	ADENP		■	■												
84	95534373	1315 332 073	RING S.18,00 MM			■	■												
85	95570365	1297 306 120	SLIDE			■	■	■	■	■	■	■							
86		1315 312 017	FORK	OLD TYPE		■	■	■	■	■	■	■							

Notes / Note :

- | | | |
|---|--|---|
| (1) ONLY FOR INPUT SHAFT 1315 202 022 | (14) REPLACED BY 1 PC 1315 305 009 + 1 PC 0631 329 293 | (P) DOUBLE CONE SYNCHRO - RATIO 16,41-1,00 |
| (2) SPECIAL VERSION FOR THE RATIOS 1315 312 030 (COMPL. 1315 212 004) AND 1315 312 022 (COMPL. 1315 212 003) USE FIG. 98-99-100 | (15) REPLACED BY 1 PC 1315 305 009 + 1 PC 0631 329 294 | (L) SHORT TRAVEL SYNCHRO - RATIO 16,47-1,00 |
| (3) SPECIAL VERSION TO BE COUPLED TOGETHER | (16) REPLACED BY 1 PC 1315 312 073 + 1 PC 1315 312 074 | (M) DOUBLE CONE SYNCHRO - RATIO 16,47-1,00 |
| (4) FOR MODELS HAVING FRONT COVER WITH OIL PUMP | (*)-(@)-(\$)-(&) TO BE COUPLED TOGETHER | (Q) DOUBLE CONE SYNCHRO - RATIO 16,53-1,00 |
| (5) FOR MODELS HAVING FRONT COVER WITHOUT OIL PUMP | (A) DOUBLE CONE SYNCHRO - RATIO 13,74-0,84 | |
| (6) OLD TYPE INPUT SHAFT HAVING NEEDLE BEARINGS (FIG.42) | (B) SHORT TRAVEL SYNCHRO - RATIO 13,80-0,84 | |
| (7) ONLY FOR INPUT SHAFT 1315 202 048 | (C) DOUBLE CONE SYNCHRO - RATIO 13,80-0,84 | |
| (8) ONLY FOR INPUT SHAFT 1315 221 002 | (D) SHORT TRAVEL SYNCHRO - RATIO 13,80-0,84 | |
| (9) ONLY FOR FLANGE 1297 330 110 + 1316 232 028 | (E) DOUBLE CONE SYNCHRO - RATIO 13,80-0,84 | |
| (10) ONLY FOR FLANGE 1313 338 002 - 1313 338 011 - 1315 238 001 | (F) DOUBLE CONE SYNCHRO - RATIO 13,85-0,84 | |
| (11) ONLY FOR FLANGE 1315 338 002 | (G) SHORT TRAVEL SYNCHRO - RATIO 13,86-0,84 | |
| (12) COMPOSED BY 1 PC SYNCHRONIZER CONE + 1 PC FLANGE | (H) DOUBLE CONE SYNCHRO - RATIO 13,86-0,84 | |
| (13) REPLACED BY 1 PC 1315 301 223 + 1 PC 1315 334 056 + 1 PC 0750 112 131 | (N) SHORT TRAVEL SYNCHRO - RATIO 16,41-1,00 | |

Continued

Our Parts are not original but perfectly interchangeable with the O.E.M ones. All original equipment manufacturers' names, numbers, symbols and descriptions used in this catalogue are for reference purposes only.
 Tutti i nostri particolari non sono originali ma con essi intercambiabili. Tutti i riferimenti dei costruttori originali sono usati a semplice titolo indicativo.

Fig.	Our No.	Part No.	Description	Note	TP	A-R.13,74-0,84	BCDE-R.13,80-0,84	F-R.13,85-0,84	GH-R.13,86-0,84	NP-R.16,41-1,00	LM-R.16,47-1,00	Q-R.16,53-1,00							
86		1315 312 074	FORK	NEWTYPE		■	■	■	■	■	■	■							
87		1315 312 049	TIE ROD	OLD(16)		■	■	■	■	■	■	■							
87		1315 312 073	TIE ROD	NEW		■	■	■	■	■	■	■							
87		1315 312 030	TIE ROD	(2)		■	■	■	■	■	■	■							
87		1315 312 022	TIE ROD	(2)		■	■	■	■	■	■	■							
88	95532553	0750 112 131	OIL SEAL 25X40X15		●	■	■	■	■	■	■	■							
89		1315 312 020	PISTON			■	■	■	■	■	■	■							
90	95532555	0750 112 177	RING 55X63X9,4		■	■	■	■	■	■	■	■							
91		0737 006 095	NUT M16X1,5			■	■	■	■	■	■	■							
92	95531931	0634 313 320	O-RING 67X3		■	■	■	■	■	■	■	■							
93	95534205	1315 312 034	SPRING		■	■	■	■	■	■	■	■							
94	95531923	0634 313 018	O-RING 82X3		■	■	■	■	■	■	■	■							
95		1315 312 048	CYLINDER			■	■	■	■	■	■	■							
96		1315 212 005	FORK ASSY			■	■	■	■	■	■	■							
96		1315 212 004	FORK ASSY	(2)		■	■	■	■	■	■	■							
96		1315 212 003	FORK ASSY	(2)		■	■	■	■	■	■	■							
97		1315 212 010	CYLINDER ASSY			■	■	■	■	■	■	■							
98		0730 260 396	BUSH	(2)		■	■	■	■	■	■	■							
99		0630 502 021	RING	(2)		■	■	■	■	■	■	■							
100	95531069	0750 112 034	GASKET 25X38X14,2	(2)	●	■	■	■	■	■	■	■							
101	95570365	1297 306 120	SLIDE			■	■	■	■	■	■	■							
102		1315 206 013	FORK	OLD TYPE		■	■	■	■	■	■	■							
102		1315 206 055	FORK	NEWTYPE		■	■	■	■	■	■	■							
102		1315 206 024	FORK	OLD TYPE		■	■	■	■	■	■	■							
102		1315 206 056	FORK	NEWTYPE		■	■	■	■	■	■	■							
103		1315 206 046	FORK	OLD TYPE		■	■	■	■	■	■	■							
103		1315 206 052	FORK	NEWTYPE		■	■	■	■	■	■	■							
103		1315 206 047	FORK	OLD TYPE		■	■	■	■	■	■	■							
103		1315 206 053	FORK	NEWTYPE		■	■	■	■	■	■	■							
104	95534136	1315 206 023	FORK		◆	■	■	■	■	■	■	■							
104		1315 206 003	FORK			■	■	■	■	■	■	■							
105	95570897	1296 232 002	PLANET CARRIER	BCFGHLMQ	■		■	■	■		■	■							
106	95570205	1296 332 005	PIN	BCFGHLMQ			■	■	■		■	■							
107	95570207	0501 308 981	THRUST WASHER	BCFGHLMQ	■		■	■	■		■	■							
108	95570210	0730 107 168	SHIM 1,00 MM	BCFGHLMQ	■		■	■	■		■	■							

Notes / Note :

- | | | |
|---|--|---|
| (1) ONLY FOR INPUT SHAFT 1315 202 022 | (14) REPLACED BY 1 PC 1315 305 009 + 1 PC 0631 329 293 | (P) DOUBLE CONE SYNCHRO - RATIO 16,41-1,00 |
| (2) SPECIAL VERSION FOR THE RATIOS 1315 312 030 (COMPL. 1315 212 004) AND 1315 312 022 (COMPL. 1315 212 003) USE FIG. 98-99-100 | (15) REPLACED BY 1 PC 1315 305 009 + 1 PC 0631 329 294 | (L) SHORT TRAVEL SYNCHRO - RATIO 16,47-1,00 |
| (3) SPECIAL VERSION TO BE COUPLED TOGETHER | (16) REPLACED BY 1 PC 1315 312 073 + 1 PC 1315 312 074 | (M) DOUBLE CONE SYNCHRO - RATIO 16,47-1,00 |
| (4) FOR MODELS HAVING FRONT COVER WITH OIL PUMP | (*)-(@)-(\$)-(&) TO BE COUPLED TOGETHER | (Q) DOUBLE CONE SYNCHRO - RATIO 16,53-1,00 |
| (5) FOR MODELS HAVING FRONT COVER WITHOUT OIL PUMP | (A) DOUBLE CONE SYNCHRO - RATIO 13,74-0,84 | |
| (6) OLD TYPE INPUT SHAFT HAVING NEEDLE BEARINGS (FIG.42) | (B) SHORT TRAVEL SYNCHRO - RATIO 13,80-0,84 | |
| (7) ONLY FOR INPUT SHAFT 1315 202 048 | (C) DOUBLE CONE SYNCHRO - RATIO 13,80-0,84 | |
| (8) ONLY FOR INPUT SHAFT 1315 221 002 | (D) SHORT TRAVEL SYNCHRO - RATIO 13,80-0,84 | |
| (9) ONLY FOR FLANGE 1297 330 110 + 1316 232 028 | (E) DOUBLE CONE SYNCHRO - RATIO 13,80-0,84 | |
| (10) ONLY FOR FLANGE 1313 338 002 - 1313 338 011 - 1315 238 001 | (F) DOUBLE CONE SYNCHRO - RATIO 13,85-0,84 | |
| (11) ONLY FOR FLANGE 1315 338 002 | (G) SHORT TRAVEL SYNCHRO - RATIO 13,86-0,84 | |
| (12) COMPOSED BY 1 PC SYNCHRONIZER CONE + 1 PC FLANGE | (H) DOUBLE CONE SYNCHRO - RATIO 13,86-0,84 | |
| (13) REPLACED BY 1 PC 1315 301 223 + 1 PC 1315 334 056 + 1 PC 0750 112 131 | (N) SHORT TRAVEL SYNCHRO - RATIO 16,41-1,00 | |

Continued

Our Parts are not original but perfectly interchangeable with the O.E.M ones. All original equipment manufacturers' names, numbers, symbols and descriptions used in this catalogue are for reference purposes only.
Tutti i nostri particolari non sono originali ma con essi intercambiabili. Tutti i riferimenti dei costruttori originali sono usati a semplice titolo indicativo.

Fig.	Our No.	Part No.	Description	Note	TP	A-R.13,74-0,84	BCDE-R.13,80-0,84	F-R.13,85-0,84	GH-R.13,86-0,84	NP-R.16,41-1,00	LM-R.16,47-1,00	Q-R.16,53-1,00						
109	95570211	0735 470 164	NEEDLE D.10	BCFGHLMQ	●	■	■	■		■	■							
110	95570208	0631 329 167	LOCK PIN 3X28	BCFGHLMQ	■	■	■	■		■	■							
111	95570209	0631 329 051	LOCK PIN 5X28	BCFGHLMQ	■	■	■	■		■	■							
112	95570989	1313 232 003	GEAR SET (5 PCS)	BCGHLM		■		■		■								
112	95570225	1315 232 001	GEAR SET (5 PCS)	FQ			■				■							
113	95570991	1295 332 086	CROWN 86 T.	BCGHLM		■		■		■								
113	95570999	1315 332 003	CROWN 90 T	FQ	■		■				■							
114	95570992	1313 332 020	CARRIER HUB 86 T.	BCGHLM		■		■		■								
114	95531000	1315 332 002	CARRIER HUB 90 T.	FQ	■		■				■							
115	95570727	0730 505 056	RETAINER RING	BCFGHLMQ	●	■	■	■		■	■							
116	95533565	1297 332 002	INTERMEDIATE RING	BCFGHLMQ	■	■	■	■		■	■							
117	98530057	0750 116 165	BEARING 80X110X16	BCFGHLMQ	■	■	■	■		■	■							
118		0730 513 760	RETAINER RING T.2,00 MM	BCFGHLMQ		■	■	■		■	■							
118		0730 513 755	RETAINER RING T.2,50 MM	BCFGHLMQ		■	■	■		■	■							
119		1313 338 001	SPEEDOMETER GEAR	BCFGHLMQ		■	■	■		■	■							
120		1313 238 001	PULSE DISK	BCFGHLMQ		■	■	■		■	■							
121	95571009	1315 232 017	PLANET CARRIER	ADENP		■	■			■								
121		1315 232 016	PLANET CARRIER	ADENP		■	■			■								
122	95534217	1315 332 053	PIN	ADENP		■	■			■								
123	95570208	0631 329 167	LOCK PIN 3X28	ADENP	■	■	■			■								
124	95570209	0631 329 051	LOCK PIN 5X28	ADENP	■	■	■			■								
125	95570210	0730 107 168	SHIM 1,00 MM	ADENP	■	■	■			■								
126	95570722	0750 119 116	NEEDLE D.10X16,8	ADENP	●	■	■			■								
127	95531490	1315 232 010	GEAR SET 28 T. (5 PCS)	ADENP		■	■			■								
128	95531485	1315 332 041	HELICAL RING GEAR 82 T.	ADENP	■	■	■			■								
129	95531486	1316 332 103	CARRIER HUB	ADENP		■	■			■								
130		0730 513 583	RETAINER RING	ADENP		■	■			■								
131		1316 333 014	INTERMEDIATE RING	ADENP		■	■			■								
132	98530317	0735 298 169	BEARING 104,5X128,4X10	ADENP	■	■	■			■								
133	95570582	1315 233 006	SYNCHRONIZER CONE	BCFGHLMQ		■	■	■		■	■							
134	95530648	1296 333 022	SYNCHRONIZER RING	Old Type		■	■	■		■	■							
134	95531084	1296 333 045	SYNCHRONIZER RING	New Type		■	■	■		■	■							
135	95570993	1313 333 001	SYNCHRONIZER HUB			■	■	■		■	■							
136	95530649	1296 333 023	SLIDING SLEEVE			■	■	■		■	■							
137	95530886	1313 233 001	SYNCHRONIZER CONE	BCFGHLMQ		■	■	■		■	■							

Notes / Note :

- | | | |
|---|--|---|
| (1) ONLY FOR INPUT SHAFT 1315 202 022 | (14) REPLACED BY 1 PC 1315 305 009 + 1 PC 0631 329 293 | (P) DOUBLE CONE SYNCHRO - RATIO 16,41-1,00 |
| (2) SPECIAL VERSION FOR THE RATIOS 1315 312 030 (COMPL. 1315 212 004) AND 1315 312 022 (COMPL. 1315 212 003) USE FIG. 98-99-100 | (15) REPLACED BY 1 PC 1315 305 009 + 1 PC 0631 329 294 | (L) SHORT TRAVEL SYNCHRO - RATIO 16,47-1,00 |
| (3) SPECIAL VERSION TO BE COUPLED TOGETHER | (16) REPLACED BY 1 PC 1315 312 073 + 1 PC 1315 312 074 | (M) DOUBLE CONE SYNCHRO - RATIO 16,47-1,00 |
| (4) FOR MODELS HAVING FRONT COVER WITH OIL PUMP | (*)-(@)-(\$)-(&) TO BE COUPLED TOGETHER | (Q) DOUBLE CONE SYNCHRO - RATIO 16,53-1,00 |
| (5) FOR MODELS HAVING FRONT COVER WITHOUT OIL PUMP | (A) DOUBLE CONE SYNCHRO - RATIO 13,74-0,84 | |
| (6) OLD TYPE INPUT SHAFT HAVING NEEDLE BEARINGS (FIG.42) | (B) SHORT TRAVEL SYNCHRO - RATIO 13,80-0,84 | |
| (7) ONLY FOR INPUT SHAFT 1315 202 048 | (C) DOUBLE CONE SYNCHRO - RATIO 13,80-0,84 | |
| (8) ONLY FOR INPUT SHAFT 1315 221 002 | (D) SHORT TRAVEL SYNCHRO - RATIO 13,80-0,84 | |
| (9) ONLY FOR FLANGE 1297 330 110 + 1316 232 028 | (E) DOUBLE CONE SYNCHRO - RATIO 13,80-0,84 | |
| (10) ONLY FOR FLANGE 1313 338 002 - 1313 338 011 - 1315 238 001 | (F) DOUBLE CONE SYNCHRO - RATIO 13,85-0,84 | |
| (11) ONLY FOR FLANGE 1315 338 002 | (G) SHORT TRAVEL SYNCHRO - RATIO 13,86-0,84 | |
| (12) COMPOSED BY 1 PC SYNCHRONIZER CONE + 1 PC FLANGE | (H) DOUBLE CONE SYNCHRO - RATIO 13,86-0,84 | |
| (13) REPLACED BY 1 PC 1315 301 223 + 1 PC 1315 334 056 + 1 PC 0750 112 131 | (N) SHORT TRAVEL SYNCHRO - RATIO 16,41-1,00 | |

Continued

Our Parts are not original but perfectly interchangeable with the O.E.M ones. All original equipment manufacturers' names, numbers, symbols and descriptions used in this catalogue are for reference purposes only.
 Tutti i nostri particolari non sono originali ma con essi intercambiabili. Tutti i riferimenti dei costruttori originali sono usati a semplice titolo indicativo.

Fig.	Our No.	Part No.	Description	Note	TP	A-R.13,74-0,84	BCDE-R.13,80-0,84	F-R.13,85-0,84	GH-R.13,86-0,84	NP-R.16,41-1,00	LM-R.16,47-1,00	Q-R.16,53-1,00							
138	95531488	1315 233 023	RETARDER GEAR 59 T.	BCFGHLMQ		■	■	■	■	■	■	■							
139	95530100	1240 304 278	SLIDING BLOCK	9 pcs.		■	■	■	■	■	■	■							
140	95530284	0732 040 386	SPRING	9 pcs.		■	■	■	■	■	■	■							
141	95530270	0732 040 385	SPRING	9 pcs.		■	■	■	■	■	■	■							
142	95531283	1296 333 046	SYNCHRONIZER CONE	ADENP	◆	■	■												
142	95570582	1315 233 006	SYNCHRONIZER CONE	ADENP(12)		■	■			■									
143	95531282	1296 333 050	SYNCHRONIZER CONE	ADENP		■	■			■									
144	95531284	1316 233 015	SYNCHRONIZER CONE	ADENP		■	■			■									
145	95531295	1316 233 014	RETARDER GEAR 59 T.	ADENP		■	■			■									
146	95534242	1316 301 042	GASKET		●	■				■		■							
146	95534420	1315 301 095	INTARDER GASKET		●	■	■	■		■									
147		1315 301 118	SHEET STEEL			■	■	■	■	■	■	■							
149		1315 301 117	COVER	(13)OLD		■	■	■	■	■	■	■							
149		1315 301 224	COVER	OLD		■	■	■	■	■	■	■							
149		1315 301 223	COVER	NEW		■	■	■	■	■	■	■							
150	95531593	1238 308 201	GASKET		●	■	■	■	■	■	■	■							
151	95531377	1304 301 034	COVER		■	■	■	■	■	■	■	■							
152	98530050	0750 116 002	BEARING 90X160X30		●	■	■	■	■	■	■	■							
153		0730 100 116	WASHER T.0,20 MM			■	■	■	■	■	■	■							
153	95532106	0730 003 515	WASHER T.0,60 MM		■	■	■	■	■	■	■	■							
154	95532554	0750 112 136	PAPER GASKET		■	■	■	■	■	■	■	■							
155		1315 231 002	COVER	OLD		■	■	■	■	■	■	■							
155		1315 301 220	COVER	NEW		■	■	■	■	■	■	■							
156	95532542	0750 111 341	OIL SEAL 105X130X12		●	■	■	■	■	■	■	■							
157		1297 333 110	OUTPUT FLANGE	ADENP		■	■			■									
157		1316 232 028	FLANGE D.222 - 4 HOLES	ADENP		■	■			■									
157		1315 338 002	OUTPUT FLANGE	BCFGHLMQ		■	■	■		■	■	■							
157		1313 338 002	OUTPUT FLANGE	BCFGHLMQ		■	■	■		■	■	■							
157		1313 338 011	OUTPUT FLANGE	BCFGHLMQ		■	■	■		■	■	■							
157		1315 238 001	OUTPUT FLANGE	BCFGHLMQ		■	■	■		■	■	■							
158		0634 313 805	O-RING 82X4	ADENP		■				■									
158	95531939	0634 314 015	O-RING 68X4	BCFGHLMQ	●	■	■	■		■	■	■							
159		1312 332 028	WASHER	(9)		■	■			■									
159	95533468	1295 332 051	THRUST WASHER	(10)	■	■	■	■		■	■	■							
159		1295 332 118	WASHER	(11)		■	■	■		■	■	■							

Notes / Note :

- | | | |
|---|--|---|
| (1) ONLY FOR INPUT SHAFT 1315 202 022 | (14) REPLACED BY 1 PC 1315 305 009 + 1 PC 0631 329 293 | (P) DOUBLE CONE SYNCHRO - RATIO 16,41-1,00 |
| (2) SPECIAL VERSION FOR THE RATIOS 1315 312 030 (COMPL. 1315 212 004) AND 1315 312 022 (COMPL. 1315 212 003) USE FIG. 98-99-100 | (15) REPLACED BY 1 PC 1315 305 009 + 1 PC 0631 329 294 | (L) SHORT TRAVEL SYNCHRO - RATIO 16,47-1,00 |
| (3) SPECIAL VERSION TO BE COUPLED TOGETHER | (16) REPLACED BY 1 PC 1315 312 073 + 1 PC 1315 312 074 | (M) DOUBLE CONE SYNCHRO - RATIO 16,47-1,00 |
| (4) FOR MODELS HAVING FRONT COVER WITH OIL PUMP | (*)-(@)-(\$)-(&) TO BE COUPLED TOGETHER | (Q) DOUBLE CONE SYNCHRO - RATIO 16,53-1,00 |
| (5) FOR MODELS HAVING FRONT COVER WITHOUT OIL PUMP | (A) DOUBLE CONE SYNCHRO - RATIO 13,74-0,84 | |
| (6) OLD TYPE INPUT SHAFT HAVING NEEDLE BEARINGS (FIG.42) | (B) SHORT TRAVEL SYNCHRO - RATIO 13,80-0,84 | |
| (7) ONLY FOR INPUT SHAFT 1315 202 048 | (C) DOUBLE CONE SYNCHRO - RATIO 13,80-0,84 | |
| (8) ONLY FOR INPUT SHAFT 1315 221 002 | (D) SHORT TRAVEL SYNCHRO - RATIO 13,80-0,84 | |
| (9) ONLY FOR FLANGE 1297 330 110 + 1316 232 028 | (E) DOUBLE CONE SYNCHRO - RATIO 13,80-0,84 | |
| (10) ONLY FOR FLANGE 1313 338 002 - 1313 338 011 - 1315 238 001 | (F) DOUBLE CONE SYNCHRO - RATIO 13,85-0,84 | |
| (11) ONLY FOR FLANGE 1315 338 002 | (G) SHORT TRAVEL SYNCHRO - RATIO 13,86-0,84 | |
| (12) COMPOSED BY 1 PC SYNCHRONIZER CONE + 1 PC FLANGE | (H) DOUBLE CONE SYNCHRO - RATIO 13,86-0,84 | |
| (13) REPLACED BY 1 PC 1315 301 223 + 1 PC 1315 334 056 + 1 PC 0750 112 131 | (N) SHORT TRAVEL SYNCHRO - RATIO 16,41-1,00 | |

Continued

Our Parts are not original but perfectly interchangeable with the O.E.M ones. All original equipment manufacturers' names, numbers, symbols and descriptions used in this catalogue are for reference purposes only.
 Tutti i nostri particolari non sono originali ma con essi intercambiabili. Tutti i riferimenti dei costruttori originali sono usati a semplice titolo indicativo.

Fig.	Our No.	Part No.	Description	Note	TP	A-R.13,74-0,84	BCDE-R.13,80-0,84	F-R.13,85-0,84	GH-R.13,86-0,84	NP-R.16,41-1,00	LM-R.16,47-1,00	Q-R.16,53-1,00							
160		0636 011 540	SCREW M12X60	(9)(10)		■	■	■	■	■	■	■							
160		0636 011 516	SCREW M12X70	(11)		■	■	■	■	■	■	■							
161	95530797	1296 334 004	SLIDING BLOCK			■	■	■	■	■	■	■							
162		1315 334 039	FORK			■	■	■	■	■	■	■							
163	95532485	1315 334 058	SELECTOR ROD			■	■	■	■	■	■	■							
164	95532553	0750 112 131	OIL SEAL 25X40X15		●	■	■	■	■	■	■	■							
165	95532397	0734 307 294	OIL SEAL 49X91X7,4		●	■	■	■	■	■	■	■							
166		1315 334 034	PISTON			■	■	■	■	■	■	■							
167	95531395	0750 112 066	RING		●	■	■	■	■	■	■	■							
169		0737 006 095	NUT M16X1,5			■	■	■	■	■	■	■							
170	95531699	0501 317 536	RING		●	■	■	■	■	■	■	■							
171	95534225	1315 334 056	CYLINDER		■	■	■	■	■	■	■	■							
172	95531069	0750 112 034	GASKET 25X38X14,2	(3)	●	■	■	■	■	■	■	■							
173	95570654	1296 334 039	PISTON	(3)	■	■	■	■	■	■	■	■							
174	95532408	0734 317 150	RING 80X90X4,8	(3)	●	■	■	■	■	■	■	■							
175	95531395	0750 112 066	RING	(3)	●	■	■	■	■	■	■	■							
177		0737 006 095	NUT M16X1,5	(3)		■	■	■	■	■	■	■							
178	95531699	0501 317 536	RING	(3)	●	■	■	■	■	■	■	■							
179		1315 334 021	CYLINDER	(3)		■	■	■	■	■	■	■							
180	95532198	0730 102 072	SHIM 2,00 MM	(4)	■	■	■	■	■	■	■	■							
180	95532196	0730 102 062	SHIM 2,50 MM	(4)	■	■	■	■	■	■	■	■							
180	95532201	0730 102 099	SHIM 3,00 MM	(4)	■	■	■	■	■	■	■	■							
180		0730 101 471	WASHER S.2,00 MM	(5)		■	■	■	■	■	■	■							
180		0730 100 799	WASHER S.2,50 MM	(5)		■	■	■	■	■	■	■							
180		0730 106 917	WASHER S.3,00 MM	(5)		■	■	■	■	■	■	■							
181	95530627	0630 531 064	SEEGER RING T.2,50 MM		■	■	■	■	■	■	■	■							
181	95530448	0630 501 114	SEEGER RING T.2,80 MM		■	■	■	■	■	■	■	■							
181	95530923	0630 531 065	SEEGER RING T.3,00 MM		■	■	■	■	■	■	■	■							
182	98530054	0750 117 010	BEARING 50,8X100X35	(4)	●	■	■	■	■	■	■	■							
182	98530051	0750 117 009	BEARING 49,2X103,1X43,6	(5)	●	■	■	■	■	■	■	■							
183	95530751	1315 303 052	CONSTANT GEAR 37 T.	ABCF		■	■	■											
183	95531246	1315 303 051	CONSTANT GEAR 32 T.	DEGH			■		■										
183	95570367	1315 303 008	CONSTANT GEAR 39 T.	LMNPQ						■	■	■							
184	95530775	1315 303 046	GEAR 4TH SPEED 39 T	ABCF		■	■	■											
184	95531240	1315 303 050	GEAR 4TH 35 T.	DEGLMNPQ			■		■	■	■	■							

Notes / Note :

- | | | |
|---|--|---|
| (1) ONLY FOR INPUT SHAFT 1315 202 022 | (14) REPLACED BY 1 PC 1315 305 009 + 1 PC 0631 329 293 | (P) DOUBLE CONE SYNCHRO - RATIO 16,41-1,00 |
| (2) SPECIAL VERSION FOR THE RATIOS 1315 312 030 (COMPL. 1315 212 004) AND 1315 312 022 (COMPL. 1315 212 003) USE FIG. 98-99-100 | (15) REPLACED BY 1 PC 1315 305 009 + 1 PC 0631 329 294 | (L) SHORT TRAVEL SYNCHRO - RATIO 16,47-1,00 |
| (3) SPECIAL VERSION TO BE COUPLED TOGETHER | (16) REPLACED BY 1 PC 1315 312 073 + 1 PC 1315 312 074 + 1 PC 1315 312 047 | (M) DOUBLE CONE SYNCHRO - RATIO 16,47-1,00 |
| (4) FOR MODELS HAVING FRONT COVER WITH OIL PUMP | (*)-(@)-(\$)-(&) TO BE COUPLED TOGETHER | (Q) DOUBLE CONE SYNCHRO - RATIO 16,53-1,00 |
| (5) FOR MODELS HAVING FRONT COVER WITHOUT OIL PUMP | (A) DOUBLE CONE SYNCHRO - RATIO 13,74-0,84 | |
| (6) OLD TYPE INPUT SHAFT HAVING NEEDLE BEARINGS (FIG.42) | (B) SHORT TRAVEL SYNCHRO - RATIO 13,80-0,84 | |
| (7) ONLY FOR INPUT SHAFT 1315 202 048 | (C) DOUBLE CONE SYNCHRO - RATIO 13,80-0,84 | |
| (8) ONLY FOR INPUT SHAFT 1315 221 002 | (D) SHORT TRAVEL SYNCHRO - RATIO 13,80-0,84 | |
| (9) ONLY FOR FLANGE 1297 330 110 + 1316 232 028 | (E) DOUBLE CONE SYNCHRO - RATIO 13,80-0,84 | |
| (10) ONLY FOR FLANGE 1313 338 002 - 1313 338 011 - 1315 238 001 | (F) DOUBLE CONE SYNCHRO - RATIO 13,85-0,84 | |
| (11) ONLY FOR FLANGE 1315 338 002 | (G) SHORT TRAVEL SYNCHRO - RATIO 13,86-0,84 | |
| (12) COMPOSED BY 1 PC SYNCHRONIZER CONE + 1 PC FLANGE | (H) DOUBLE CONE SYNCHRO - RATIO 13,86-0,84 | |
| (13) REPLACED BY 1 PC 1315 301 223 + 1 PC 1315 334 056 + 1 PC 0750 112 131 | (N) SHORT TRAVEL SYNCHRO - RATIO 16,41-1,00 | |

Continued

Our Parts are not original but perfectly interchangeable with the O.E.M ones. All original equipment manufacturers' names, numbers, symbols and descriptions used in this catalogue are for reference purposes only.
 Tutti i nostri particolari non sono originali ma con essi intercambiabili. Tutti i riferimenti dei costruttori originali sono usati a semplice titolo indicativo.

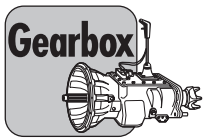
Fig.	Our No.	Part No.	Description	Note	TP	A-R.13,74-0,84	BCDE-R.13,80-0,84	F-R.13,85-0,84	GH-R.13,86-0,84	NP-R.16,41-1,00	LM-R.16,47-1,00	Q-R.16,53-1,00							
185	95570997	1315 303 010	GEAR 3RD SPEED 28 T.	ABCF		■	■	■											
185	95570406	1315 303 004	GEAR 3RD SPEED 26 T.	DEGHLMPQ			■		■	■	■	■							
186	95530776	1315 303 048	COUNTERSHAFT 19/23 T.	(4)BCF			■	■											
186	95570475	1315 303 049	COUNTERSHAFT 17/20 T	(4)MQ							■	■							
186	95531243	1315 303 041	COUNTERSHAFT 19/23 T.	(5)ABC		■	■												
186	95531245	1315 303 042	COUNTERSHAFT 17/20 T.	(5)DEGH			■	■											
186	95531245	1315 303 042	COUNTERSHAFT 17/20 T.	(5)LMNP						■	■								
187	98530088	0750 117 011	BEARING 50,8X104,7X39,6		●	■	■	■	■	■	■	■							
188		1315 303 030	COUNTERSHAFT	(4)C			■												
189	98530191	0750 115 366	NEEDLE BEARING 45X57X21		■	■	■	■	■	■	■	■							
190	95530862	1315 305 005	REVERSE GEAR 20 T.	ABCF	■	■	■												
190	95570996	1315 305 002	REVERSE GEAR 22 T.	DEGHLMPQ	■		■		■	■	■	■							
191		1315 201 054	REVERSE PIN	ABCF-14OLD		■	■	■											
191		1315 201 053	REVERSE PIN	DEGHL(15)			■		■	■	■	■							
191		1315 201 053	REVERSE PIN	MNPQ(15)			■		■	■	■	■							
191		1315 305 009	REVERSE PIN	NEW			■		■	■	■	■							
192		1315 201 075	GEARBOX HOUSING	OLD		■	■	■	■	■	■	■							
192		1315 201 187	GEARBOX HOUSING	NEW		■	■	■	■	■	■	■							
192		1315 201 077	GEARBOX HOUSING	OLD		■	■	■	■	■	■	■							
192		1315 201 074	GEARBOX HOUSING	OLD		■	■	■	■	■	■	■							
192		1315 201 186	GEARBOX HOUSING	NEW		■	■	■	■	■	■	■							
192		1315 201 178	HOUSING			■	■	■	■	■	■	■							
192		1315 201 179	HOUSING			■	■	■	■	■	■	■							
192		1315 201 180	HOUSING			■	■	■	■	■	■	■							
192		1315 201 182	HOUSING			■	■	■	■	■	■	■							
192		1315 201 183	HOUSING			■	■	■	■	■	■	■							
193	95531281	1295 298 956	REPAIR KIT			■	■	■	■	■	■	■							
194	95531972	1295 298 933	REPAIR KIT			■	■	■	■	■	■	■							
195		0630 501 173	SEEGER RING T.3,90 MM			■	■	■	■	■	■	■							
195		0630 501 061	SEEGER RING T.4,00 MM			■	■	■	■	■	■	■							
196		0635 450 098	BEARING 52X90X33	(8)		■	■	■	■	■	■	■							
197		0630 502 042	SEEGER RING	(8)		■	■	■	■	■	■	■							
198	95531665	0501 208 629	VALVE		■	■	■	■	■	■	■	■							
198		0501 209 435	VALVE	OLD		■	■	■	■	■	■	■							
198	95531666	0501 208 630	VALVE	NEW	■	■	■	■	■	■	■	■							

Notes / Note :

- | | | |
|---|--|---|
| (1) ONLY FOR INPUT SHAFT 1315 202 022 | (14) REPLACED BY 1 PC 1315 305 009 + 1 PC 0631 329 293 | (P) DOUBLE CONE SYNCHRO - RATIO 16,41-1,00 |
| (2) SPECIAL VERSION FOR THE RATIOS 1315 312 030 (COMPL. 1315 212 004) AND 1315 312 022 (COMPL. 1315 212 003) USE FIG. 98-99-100 | (15) REPLACED BY 1 PC 1315 305 009 + 1 PC 0631 329 294 | (L) SHORT TRAVEL SYNCHRO - RATIO 16,47-1,00 |
| (3) SPECIAL VERSION TO BE COUPLED TOGETHER | (16) REPLACED BY 1 PC 1315 312 073 + 1 PC 1315 312 074 + 1 PC 1315 312 047 | (M) DOUBLE CONE SYNCHRO - RATIO 16,47-1,00 |
| (4) FOR MODELS HAVING FRONT COVER WITH OIL PUMP | (*)-(@)-(\$)-(&) TO BE COUPLED TOGETHER | (Q) DOUBLE CONE SYNCHRO - RATIO 16,53-1,00 |
| (5) FOR MODELS HAVING FRONT COVER WITHOUT OIL PUMP | (A) DOUBLE CONE SYNCHRO - RATIO 13,74-0,84 | |
| (6) OLD TYPE INPUT SHAFT HAVING NEEDLE BEARINGS (FIG.42) | (B) SHORT TRAVEL SYNCHRO - RATIO 13,80-0,84 | |
| (7) ONLY FOR INPUT SHAFT 1315 202 048 | (C) DOUBLE CONE SYNCHRO - RATIO 13,80-0,84 | |
| (8) ONLY FOR INPUT SHAFT 1315 221 002 | (D) SHORT TRAVEL SYNCHRO - RATIO 13,80-0,84 | |
| (9) ONLY FOR FLANGE 1297 330 110 + 1316 232 028 | (E) DOUBLE CONE SYNCHRO - RATIO 13,80-0,84 | |
| (10) ONLY FOR FLANGE 1313 338 002 - 1313 338 011 - 1315 238 001 | (F) DOUBLE CONE SYNCHRO - RATIO 13,85-0,84 | |
| (11) ONLY FOR FLANGE 1315 338 002 | (G) SHORT TRAVEL SYNCHRO - RATIO 13,86-0,84 | |
| (12) COMPOSED BY 1 PC SYNCHRONIZER CONE + 1 PC FLANGE | (H) DOUBLE CONE SYNCHRO - RATIO 13,86-0,84 | |
| (13) REPLACED BY 1 PC 1315 301 223 + 1 PC 1315 334 056 + 1 PC 0750 112 131 | (N) SHORT TRAVEL SYNCHRO - RATIO 16,41-1,00 | |

Our Parts are not original but perfectly interchangeable with the O.E.M ones. All original equipment manufacturers' names, numbers, symbols and descriptions used in this catalogue are for reference purposes only.

Tutti i nostri particolari non sono originali ma con essi intercambiabili. Tutti i riferimenti dei costruttori originali sono usati a semplice titolo indicativo.



GEARBOX: 16S151

16S151 Selector Mechanism

Fig.	Our No.	Part No.	TP	Description	Note
1	1304 307 360			LEVER	
2	95532736	1238 307 411	■	COVER	
3	95532487	1315 307 086		SELECTOR ROD	
4	1315 307 001			COVER	
5	98530219	0635 303 053	■	BEARING 25X32X20	
6	1315 307 005			STOP SEGMENT	
7	1315 307 018			COVER	
8	95534160	1315 307 013	●	GASKET	
9	1315 307 074			DRIVER	
10	1315 307 308			BRAKET	
11	95531009	0634 316 057	●	O-RING 36,2X3	
12	95531374	6038 202 003	■	VALVE	
12		6038 202 012		VALVE	
13	1315 207 006			PIN	
14	0730 006 993			WASHER S.1,50 MM	
14	0730 002 069			WASHER S.1,00 MM	
15	95531009	0634 316 057	●	O-RING 36,2X3	
16	1315 307 007			STOP SEGMENT	
17	0732 042 365			SPRING	
18	0732 042 366			SPRING	

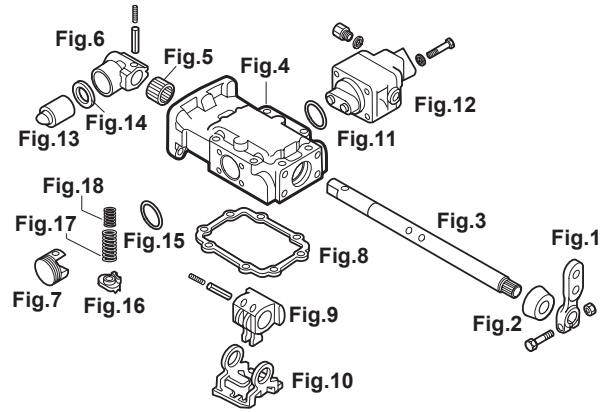
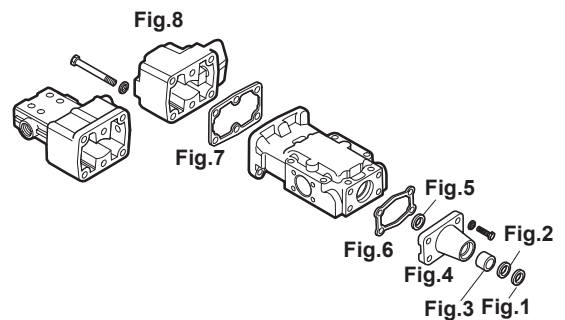


Fig.	Our No.	Part No.	TP	Description	Note
1	95531248	0634 307 367	●	OIL SEAL 25X35X7/10	
2	95531247	0634 300 302	●	OIL SEAL 25X35X7	
3	95570501	0730 260 330		BUSH	
4	1304 307 425			COVER	
5	95531870	0634 300 020	●	OIL SEAL 25X32X5	
6	95531589	0501 318 308	●	GASKET	
7	95534159	1315 307 012	●	GASKET	
8	1315 307 065			COVER	



16S151 Selector Mechanism

Fig.	Our No.	Part No.	TP	Description	Note
1		1304 307 360		LEVER	
1		1295 307 582		LEVER	
3	95532736	1238 307 411	■	COVER	
4		1315 307 094		ROD	
4		1315 307 158		ROD	
4		1315 307 184		ROD	(*)
5		1315 307 101		SUPPORT	(*)
6		1315 307 123		COVER	
7	98530219	0635 303 053	■	BEARING 25X32X20	
8		1315 307 304		BRAKET	
9		1315 307 120		BRAKET	
10	95531935	0634 313 505	●	O-RING	
11		6038 202 043		VALVE	
11		6038 202 042		VALVE	(*)
12		0501 209 212		BRAKET	
13		0630 532 130		RETAINER RING	
14	95534160	1315 307 013	●	GASKET	
15		1315 307 188		BRAKET	
16		1315 307 308		BRAKET	

(*) To be coupled together.

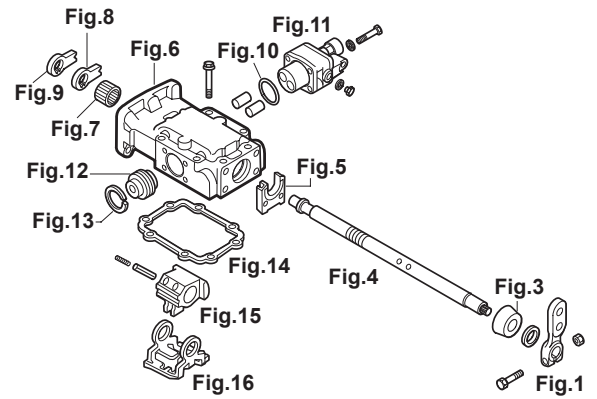
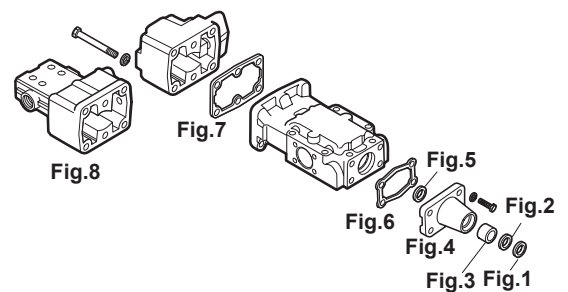
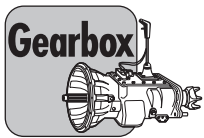


Fig.	Our No.	Part No.	TP	Description	Note
1	95531248	0634 307 367	●	OIL SEAL 25X35X7/10	
2	95531247	0634 300 302	●	OIL SEAL 25X35X7	
3	95570501	0730 260 330		BUSH	
4		1304 307 425		COVER	
5	95531870	0634 300 020	●	OIL SEAL 25X32X5	
6	95531589	0501 318 308	●	GASKET	
7	95534159	1315 307 012	●	GASKET	
8		1315 307 140		COVER	
8		1315 307 151		COVER	(*)

(*) To be coupled together with control rod 1315 307 094





GEARBOX: 16S151

16S151 Selector Mechanism

Fig.	Our No.	Part No.	TP	Description	Note
1	95532736	1238 307 411	■	COVER	
3		1315 307 111		BRAKET	
4		0730 063 213		BUSH	
5		1315 307 305		BRAKET	
6		1315 307 144		SHAFT	
7		1315 307 124		COVER	
8	95531935	0634 313 505	●	O-RING	
9		6038 202 043		VALVE	
10		0501 209 212		BRAKET	
11		0630 532 130		RETAINER RING	
12	95534160	1315 307 013	●	GASKET	
13		1315 307 189		DRIVER	
14		1315 307 308		BRAKET	
15		1315 307 187		CONTROL ROD	
16	98530219	0635 303 053	■	BEARING 25X32X20	

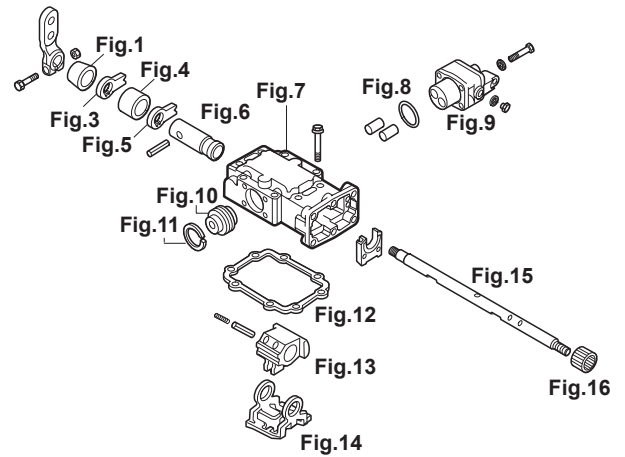
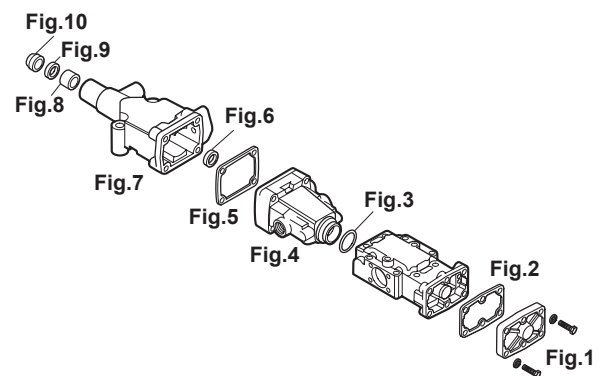


Fig.	Our No.	Part No.	TP	Description	Note
1		1315 307 022		COVER	
2	95534159	1315 307 012	●	GASKET	
3		0634 313 384		O-RING	
4		1315 307 143		COVER	
5		0750 112 172		GASKET	
6	95531870	0634 300 020	●	OIL SEAL 25X32X5	
7		1315 307 291		COVER	
8	95570501	0730 260 330		BUSH	
9	95531247	0634 300 302	●	OIL SEAL 25X35X7	
10	95531248	0634 307 367	●	OIL SEAL 25X35X7/10	



16S151 Selector Mechanism

Fig.	Our No.	Part No.	TP	Description	Note
1	95532736	1238 307 411	■	COVER	
3		1315 307 305		BRAKET	
4		0730 063 273		BUSH	
5		1315 307 111		BRAKET	
6		1315 307 307		SHAFT	
7	98530219	0635 303 053	■	BEARING 25X32X20	
8		1315 307 197		COVER	
9		1315 307 201		GASKET	
10		1315 307 314		COVER	
11	95534160	1315 307 013	●	GASKET	
12		1315 307 189		DRIVER	
13		1315 307 308		BRAKET	
14		1315 307 274		ROD	
15		0501 209 212		BRAKET	
16		0630 532 130		RETAINER RING	
17	95531935	0634 313 505	●	O-RING	
18		6038 202 043		VALVE	

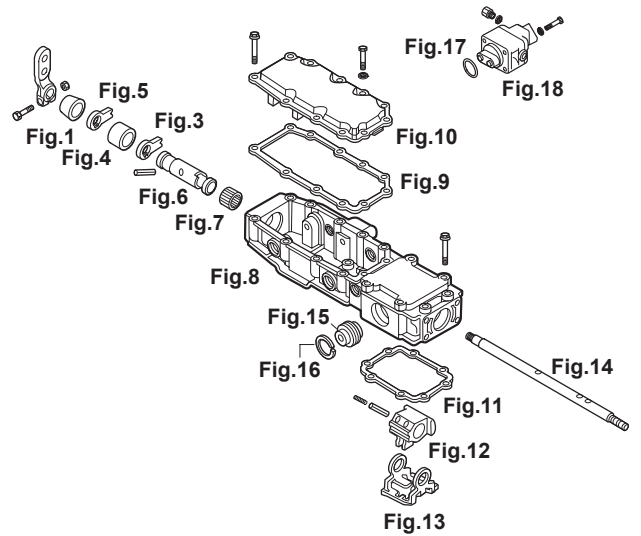
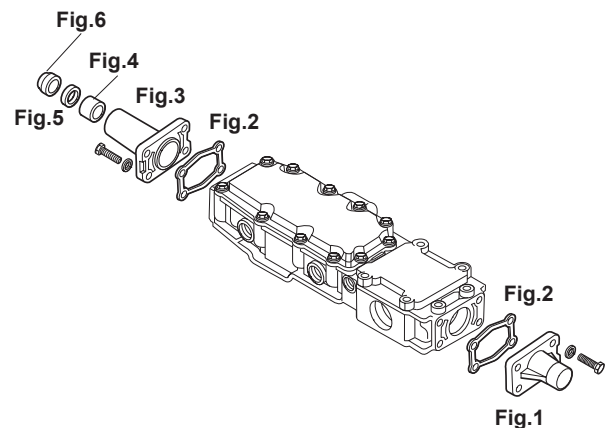


Fig.	Our No.	Part No.	TP	Description	Note
1		1315 307 228		COVER	
2	95531589	0501 318 308	●	GASKET	
3		1315 307 179		COVER	
4	95570501	0730 260 330		BUSH	
5	95531247	0634 300 302	●	OIL SEAL 25X35X7	
6	95531248	0634 307 367	●	OIL SEAL 25X35X7/10	





16S151 Selector Mechanism

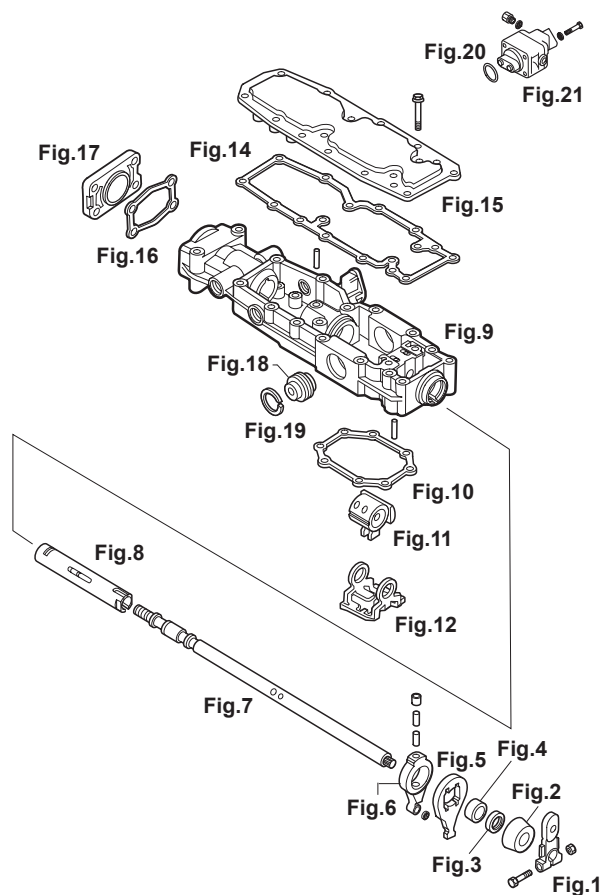
Fig.	Our No.	Part No.	TP	Description	Note
1		1315 307 299		LEVER	
2		1315 307 387		COVER	
3	95532398	0734 309 376	●	OIL SEAL 28X42X11	
4		0730 260 703		BUSH	
5		1315 307 292		DRIVER	
6		1316 208 002		DRIVER	
7		1315 307 264		ROD	
7		1315 307 327		ROD	
7		1315 307 371		ROD	
7		1315 307 356		ROD	(*)
8		1315 307 294		TUBE	
8		1315 307 326		TUBE	(*)
9		1315 307 383		COVER	
10	95534160	1315 307 013	●	GASKET	
11		1315 307 319		DRIVER	
12		1315 307 218		SUPPORT	
14	95531696	0501 317 240	NSS	GASKET	
15		1315 307 286		COVER	
16		1315 307 366		GASKET	
17		1315 307 279		COVER	
18		0501 209 212		BRAKET	
19		0630 532 130		RETAINER RING	
20	95531935	0634 313 505	●	O-RING	
21		6038 202 043		VALVE	
21		6038 202 042		VALVE	(*)

(*) To be coupled together.

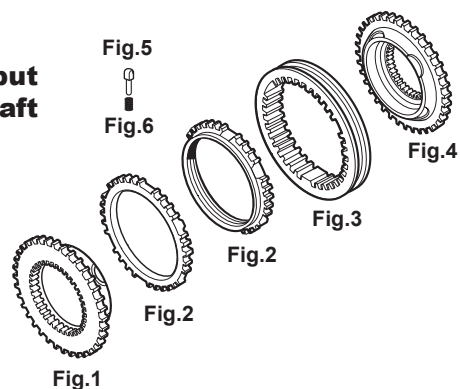
16S151 Kits

Fig.	Our No.	Part No.	TP	Description	Note
	95531358	1297 298 955		SYNCHRONIZER KIT	
1	95570220	1312 304 027		SYNCHRONIZER CONE	1 pc.
2	95531072	1297 304 484		SYNCHRONIZER RING	2 pcs.
3	95570219	1310 304 202		SLIDING SLEEVE 3RD/4TH SP	1 pc.
4	95570241	1312 304 056		SYNCHRONIZER CONE	1 pc.
5	95570574	1297 304 436		SLIDE	3 pcs.
6	95570470	0732 040 409		PRESSURE SPRING	3 pcs.

SERVO



Input Shaft



16S151 Kits

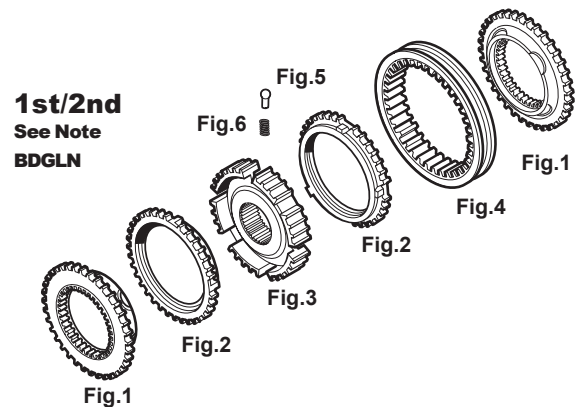
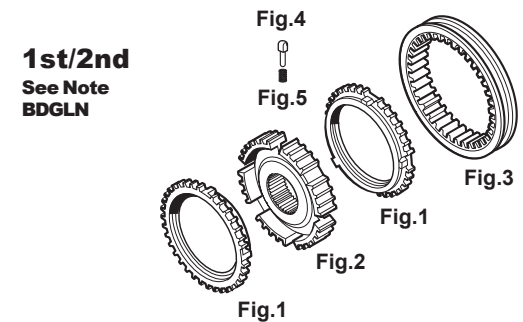
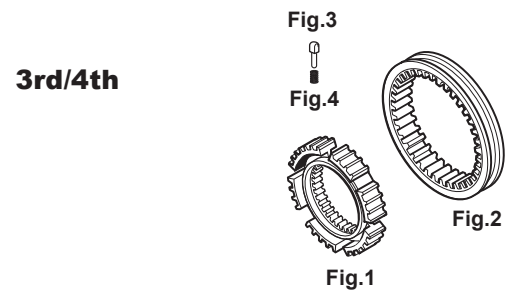
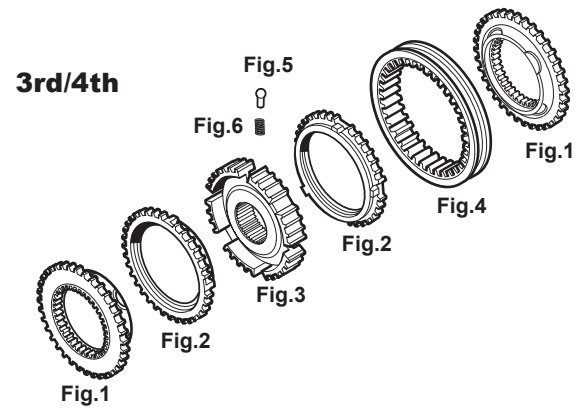
Fig.	Our No.	Part No.	TP	Description	Q.ty
	95531357	1315 298 018		SYNCHRONIZER KIT 3RD/4TH	
1	95570220	1312 304 027		SYNCHRONIZER CONE	2 pcs.
2	95531072	1297 304 484		SYNCHRONIZER RING	2 pcs.
3	95570839	1312 304 052		SYNCHRONIZER HUB 3RD/4TH	1 pc.
4	95570219	1310 304 202		SLIDING SLEEVE 3RD/4TH SP	1 pc.
5	95570574	1297 304 436		SLIDE	3 pcs.
6	95570470	0732 040 409		PRESSURE SPRING	3 pcs.

Fig.	Our No.	Part No.	TP	Description	Q.ty
	95531363	1312 204 028		SYNCHRONIZER KIT 3RD/4TH	
1	95570839	1312 304 052		SYNCHRONIZER HUB 3RD/4TH	1 pc.
2	95570219	1310 304 202		SLIDING SLEEVE 3RD/4TH SP	1 pc.
3	95570574	1297 304 436		SLIDE	3 pcs.
4	95570470	0732 040 409		PRESSURE SPRING	3 pcs.

Fig.	Our No.	Part No.	TP	Description	Q.ty
	95531364	1312 204 031		SYNCHRONIZER KIT 3RD/4TH	
1	95570220	1312 304 027		SYNCHRONIZER CONE	1 pc.
2	95531072	1297 304 484		SYNCHRONIZER RING	1 pc.

Fig.	Our No.	Part No.	TP	Description	Q.ty
	95531359	1313 204 003		SYNCHRONIZER KIT 1ST/2ND	
1	95570217	1297 304 401		SYNCHRONIZER RING	2 pcs.
2	95570896	1313 304 008		SYNCHRONIZER HUB	1 pc.
3	95570218	1316 304 078		SLIDING SLEEVE 1ST/2ND	1 pc.
4	95570574	1297 304 436		SLIDE	3 pcs.
5	95570470	0732 040 409		PRESSURE SPRING	3 pcs.

Fig.	Our No.	Part No.	TP	Description	Q.ty
		1313 298 909		SYNCHRONIZER KIT 1ST/2ND	
1	95570224	1313 304 009		SYNCHRONIZER CONE	2 pcs.
2	95570217	1297 304 401		SYNCHRONIZER RING	2 pcs.
3	95570896	1313 304 008		SYNCHRONIZER HUB	1 pc.
4	95570218	1316 304 078		SLIDING SLEEVE 1ST/2ND	1 pc.
5	95570574	1297 304 436		SLIDE	3 pcs.
6	95570470	0732 040 409		PRESSURE SPRING	3 pcs.





GEARBOX: 16S151

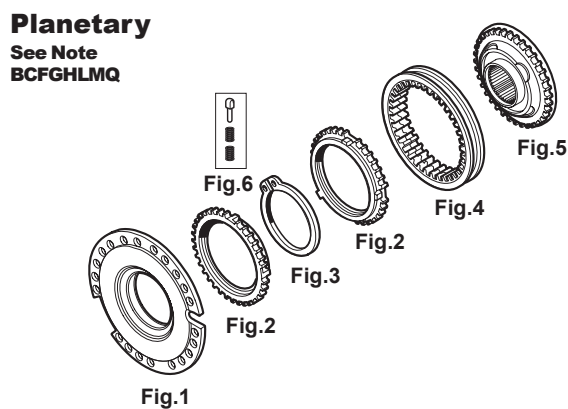
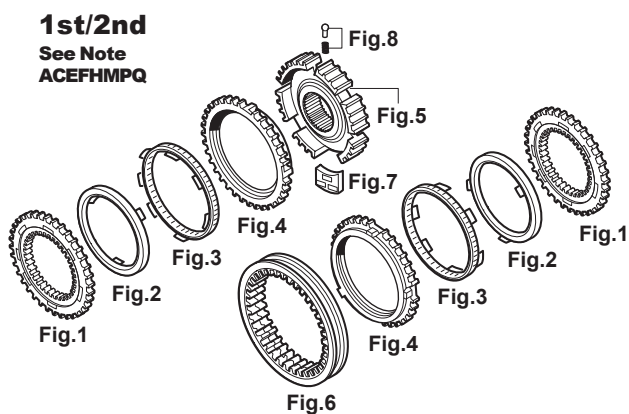
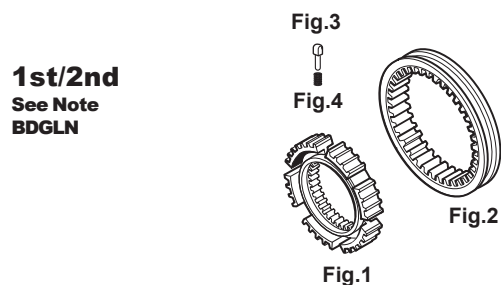
16S151 Kits

Fig.	Our No.	Part No.	TP	Description	Q.ty
	95531365	1313 204 008		SYNCHRONIZER KIT 1ST/2ND	
1	95570896	1313 304 008		SYNCHRONIZER HUB	1 pc.
2	95570218	1316 304 078		SLIDING SLEEVE 1ST/2ND	1 pc.
3	95570574	1297 304 436		SLIDE	3 pcs.
4	95570470	0732 040 409		PRESSURE SPRING	3 pcs.

Fig.	Our No.	Part No.	TP	Description	Q.ty
		1313 204 009		SYNCHRONIZER KIT 1ST/2ND	
1	95570224	1313 304 009		SYNCHRONIZER CONE	1 pc.
2	95531085	1297 304 485		SYNCHRONIZER RING	1 pc.

Fig.	Our No.	Part No.	TP	Description	Q.ty
	95534365	1312 298 911		SYNCHRONIZER KIT 1ST/2ND	
1	95570642	1312 304 106		SYNCHRONIZER CONE	2 pcs.
2	95570599	1268 304 424		SYNCHRONIZER CONE	2 pcs.
3	95570600	1268 304 494	●	SYNCHRONIZER RING	2 pcs.
4	95570601	1268 304 525		SYNCHRONIZER RING	2 pcs.
5	95570551	1312 304 158		SYNCHRONIZER HUB	1 pc.
6	95570555	1310 304 175		SLIDING SLEEVE	1 pc.
7	95570643	1312 304 159		SLIDING BLOCK	3 pcs.
8	95531281	1295 298 956		REPAIR KIT	1 pc.

Fig.	Our No.	Part No.	TP	Description	Q.ty
		1315 298 047		SYNCHRONIZER KIT	
1	95570582	1315 233 006		SYNCHRONIZER CONE	1 pc.
2	95531084	1296 333 045		SYNCHRONIZER RING	2 pcs.
3		0630 501 175		SEEGER RING T.3,70 MM	1 pc.
4	95530649	1296 333 023		SLIDING SLEEVE	1 pc.
5	95530886	1313 233 001		SYNCHRONIZER CONE	1 pc.
6	95531972	1295 298 933		REPAIR KIT	1 pc.



16S151 Kits

Fig.	Our No.	Part No.	TP	Description	Q.ty
	95534148	1315 298 034		SYNCHRONIZER KIT	
1	95531282	1296 333 050		SYNCHRONIZER CONE	1 pc.
2	95531084	1296 333 045		SYNCHRONIZER RING	2 pcs.
3	95530649	1296 333 023		SLIDING SLEEVE	1 pc.
4	95531284	1316 233 015		SYNCHRONIZER CONE	1 pc.
5	95530100	1240 304 278		SLIDING BLOCK	9 pcs.
6	95530270	0732 040 385		SPRING	9 pcs.
7	95530284	0732 040 386		SPRING	9 pcs.

Synchronizer Kits OLD

Fig.	Our No.	Part No.	TP	Description	Q.ty
	95531705	1315 298 054		SYNCHRONIZER KIT 1ST/2ND	
1	95531630	1316 304 146		SYNCHRONIZER CONE 1ST/2ND	2 pcs.
2	95531629	1316 304 150		SYNCHRONIZER RING RH	2 pcs.
3	95531634	1316 304 148		SYNCHRONIZER HUB 1ST/2ND	1 pc.
4	95531627	1315 304 136		SLIDING SLEEVE	1 pc.
5	95570574	1297 304 436		SLIDE	3 pcs.
6	95570470	0732 040 409		PRESSURE SPRING	3 pcs.

NEW

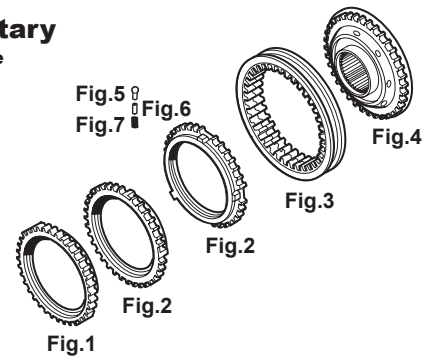
Fig.	Our No.	Part No.	TP	Description	Q.ty
	95534452	1315 298 060		SYNCHRONIZER KIT 1ST/2ND	
1	95534407	1316 304 156		SYNCHRONIZER CONE 1ST/2ND	2 pcs.
2	95534388	1316 304 170	●	SYNCHRONIZER RING LH	2 pcs.
3	95534408	1316 304 163		SYNCHRONIZER HUB 1ST/2ND	1 pc.
4	95534379	1316 304 169	●	SLIDING SLEEVE	1 pc.
5	95570574	1297 304 436		SLIDE	3 pcs.
6	95570470	0732 040 409		PRESSURE SPRING	3 pcs.

OLD

Fig.	Our No.	Part No.	TP	Description	Q.ty
	95531704	1315 298 055		SYNCHRONIZER KIT 3RD/4TH	
1	95531631	1316 304 145		SYNCHRONIZER CONE 3RD/4TH	2 pcs.
2	95531628	1316 304 149	●	SYNCHRONIZER RING	2 pcs.
3	95531633	1316 304 147		SYNCHRONIZER HUB 3RD/4TH	1 pc.
4	95531632	1315 304 135		SLIDING SLEEVE	1 pc.
5	95570574	1297 304 436		SLIDE	3 pcs.
6	95570470	0732 040 409		PRESSURE SPRING	3 pcs.

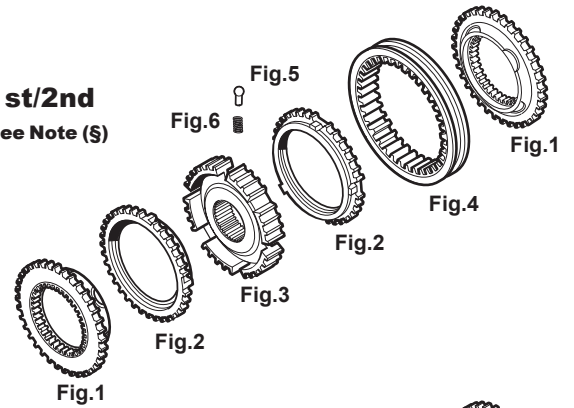
Planetary

See Note
ADENP



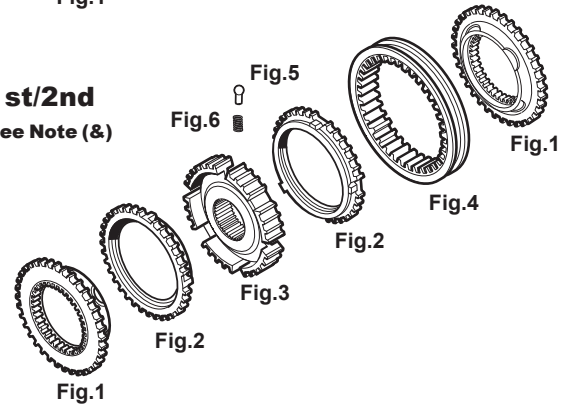
1st/2nd

See Note (\$))



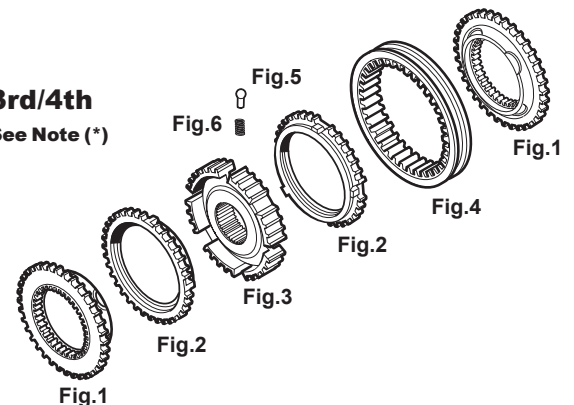
1st/2nd

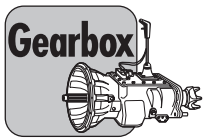
See Note (&)



3rd/4th

See Note (*))





Synchronizer Kits
NEW

Fig.	Our No.	Part No.	TP	Description	Q.ty
	95534453	1315 298 061		SYNCHRONIZER KIT 3RD/4TH	
1	95534409	1316 304 159		SYNCHRONIZER CONE 3RD/4TH	2 pcs.
2	95534389	1316 304 168	●	SYNCHRONIZER RING	2 pcs.
3	95534410	1316 304 162		SYNCHRONIZER HUB 3RD/4TH	1 pc.
4	95532442	1316 304 167	●	SLIDING SLEEVE	1 pc.
5	95570574	1297 304 436		SLIDE	3 pcs.
6	95570470	0732 040 409		PRESSURE SPRING	3 pcs.

3rd/4th
See Note (@)

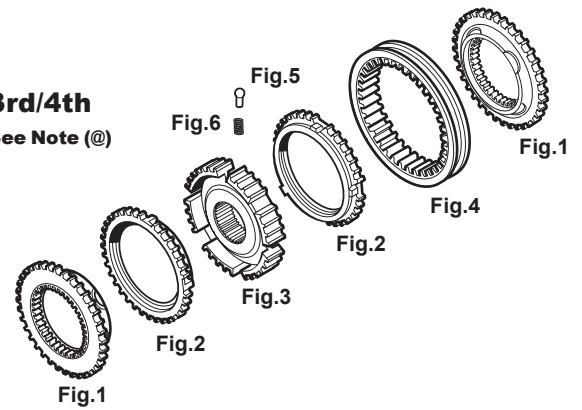


Fig.	Our No.	Part No.	TP	Description	Q.ty
	95531261	1315 298 001	●	GASKET KIT	
	95531556	0501 314 587	●	GASKET	1 pc.
	95531589	0501 318 308	●	GASKET	2 pcs.
	95531593	1238 308 201	●	GASKET	1 pc.
	95532480	1315 301 234	NSS	SHEET GASKET	1 pc.
	95531685	0501 314 246	NSS	GASKET	1 pc.
	95532481	1315 303 060	NSS	SHEET GASKET	1 pc.
	95531693	0501 316 146	●	GASKET	1 pc.
	95531696	0501 317 240	NSS	GASKET	1 pc.
	95532418	0666 790 040	NSS	SEAL COMPOUND	1 pc.
	95532482	1315 331 001	NSS	SHEET GASKET	1 pc.
	95532606	1315 307 242	NSS	GASKET	1 pc.
	95534149	1315 301 233	NSS	GASKET	1 pc.
	95534150	1315 301 007	NSS	GASKET	2 pcs.
	95534159	1315 307 012	●	GASKET	1 pc.
	95534160	1315 307 013	●	GASKET	1 pc.
	95534241	1316 301 022	NSS	GASKET	1 pc.
	95534242	1316 301 042	●	GASKET	2 pcs.

95531261
1315 298 001

Gasket Kit

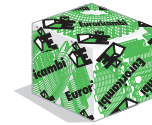


Fig.	Our No.	Part No.	TP	Description	Q.ty
	95534146	1315 298 002	●	SEAL RING KIT	
	95531678	0501 312 738	●	OIL SEAL 30X37X4	4 pcs.
	95531870	0634 300 020	●	OIL SEAL 25X32X5	1 pc.
	95531248	0634 307 367	●	OIL SEAL 25X35X7/10	1 pc.
	95532394	0734 300 196	NSS	OIL SEAL 25X35X7	1 pc.
	95532398	0734 309 376	●	OIL SEAL 28X42X11	1 pc.
	95531557	0734 310 104	●	OIL SEAL 52X68X8	1 pc.
	95532542	0750 111 341	●	OIL SEAL 105X130X12	1 pc.
	95531973	0734 310 387	●	OIL SEAL 55X75X8	1 pc.

95534146
1315 298 002

Seal Ring Kit

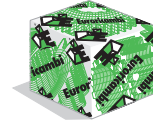


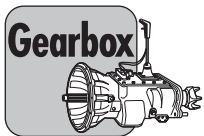
16S151 Kits

Fig.	Our No.	Part No.	TP	Description	Q.ty
95534147		1315 298 003	●	SEAL RING KIT	
		0634 312 523		RING	1 pc.
	95532555	0750 112 177	■	RING 55X63X9,4	1 pc.
	95531069	0750 112 034	●	GASKET 25X38X14,2	2 pcs.
	95532553	0750 112 131	●	OIL SEAL 25X40X15	2 pcs.
	95531395	0750 112 066	●	RING	1 pc.
	95532408	0734 317 150	●	RING 80X90X4,8	2 pcs.
	95531923	0634 313 018	■	O-RING 82X3	1 pc.
		0634 313 198		O-RING 20X3	1 pc.
	95531931	0634 313 320	■	O-RING 67X3	1 pc.
	95531699	0501 317 536	●	RING	1 pc.
	95531939	0634 314 015	●	O-RING 68X4	1 pc.
	95531943	0634 314 020	●	O-RING 8X2	4 pcs.
	95531009	0634 316 057	●	O-RING 36,2X3	2 pcs.
		0730 008 056		SEAL RING 12X17	1 pc.
	95531568	0634 801 062	■	SEAL RING 18X24 DIN7603	12 pcs.
		0634 801 097		O-RING 30X36	1 pc.
		0730 009 515		SEAL RING 22X27	5 pcs.
		0734 303 046		O-RING	1 pc.
		0634 801 206		SEAL RING 24X29	5 pcs.
		0634 801 219		O-RING 16X22	2 pcs.
		0634 801 249		SEAL RING 26X31	1 pc.
	95532153	0730 008 057	NSS	WASHER 14X19	8 pcs.
		0730 008 055		RING	1 pc.
		0634 801 321		SPACER 38X44 DIN7603	1 pc.
		0634 313 293		O-RING	1 pc.
	95532397	0734 307 294	●	OIL SEAL 49X91X7,4	2 pcs.
	95531935	0634 313 505	●	O-RING	1 pc.
		0634 801 203		SPACER 16X22 DIN7603	1 pc.
		0634 313 805		O-RING 82X4	1 pc.

95534147
1315 298 003

Seal Ring Kit



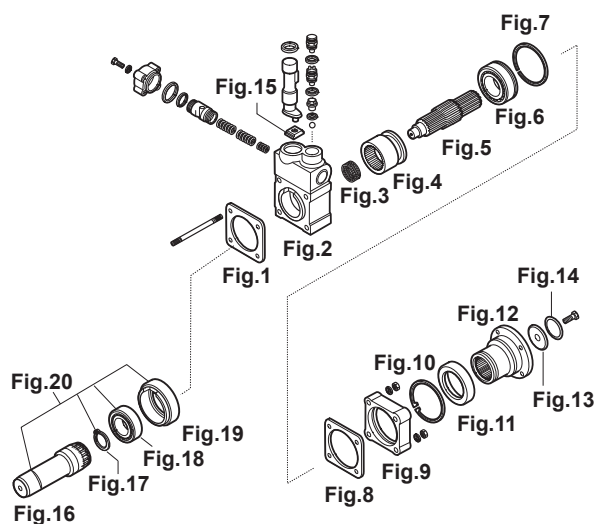


GEARBOX: 16S151

16S151 P.T.O. (Power Take Off)

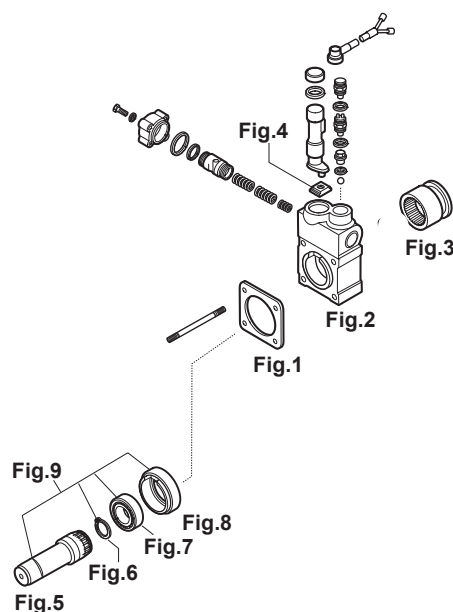
Fig.	Our No.	Part No.	TP	Description	Note
1	95531593	1238 308 201	●	GASKET	
2	95532766	1240 310 125	NSS	HOUSING	
3	0735 320 120			NEEDLE BEARING 16X22X16	
4	95530892	1240 317 075		SLIDING SLEEVE	
5	95530013	1240 310 013	●	SHAFT P.T.O.	
6	0635 332 034			BEARING 40X80X18	
7	0630 503 010			LOCK RING	
8	95531593	1238 308 201	●	GASKET	
9	1238 309 067			COVER	
10	95570130	0630 502 039	NSS	ELASTIC RING	
11	95532409	0734 319 046	■	OIL SEAL 55X80X8	
12	1296 213 003			FLANGE	
13	95570120	1238 310 015	NSS	WASHER	
14	0634 306 234			O-RING 32X2,5	
15	95570118	1238 317 058		SLIDE	
16	95570378	1297 203 005		SHAFT P.T.O. 12 T.	
17	95570191	0630 531 055		SEEGER RING T.1,50 MM	
18	98530103	0635 331 390	●	BEARING 45X75X16	
19	95531058	1295 338 083		BUSH	
20	95570017	1295 142 011		REPAIR KIT	

N71/B



N71/C

Fig.	Our No.	Part No.	TP	Description	Note
1	95531593	1238 308 201	●	GASKET	
2	95532766	1240 310 125	NSS	HOUSING	
3	95530892	1240 317 075		SLIDING SLEEVE	
4	95570118	1238 317 058		SLIDE	
5	95570378	1297 203 005		SHAFT P.T.O. 12 T.	
6	95570191	0630 531 055		SEEGER RING T.1,50 MM	
7	98530103	0635 331 390	●	BEARING 45X75X16	
8	95531058	1295 338 083		BUSH	
9	95570017	1295 142 011		REPAIR KIT	

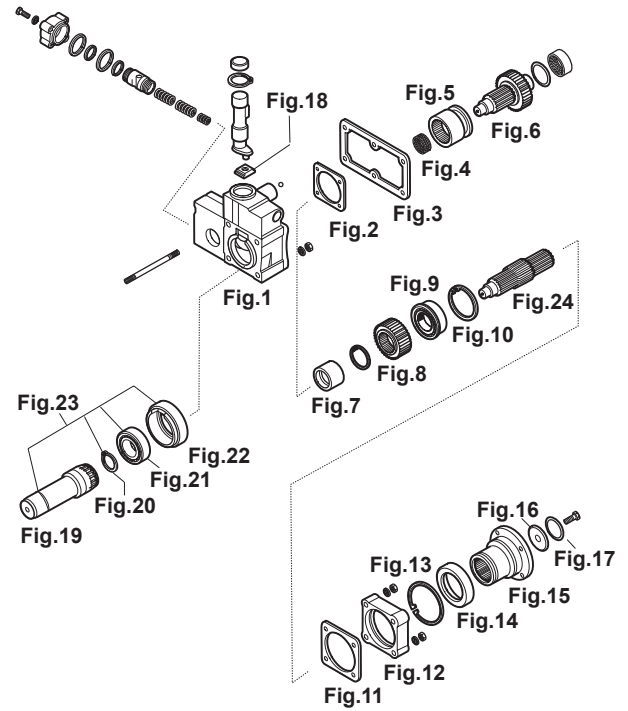


16S151 P.T.O. (Power Take Off)

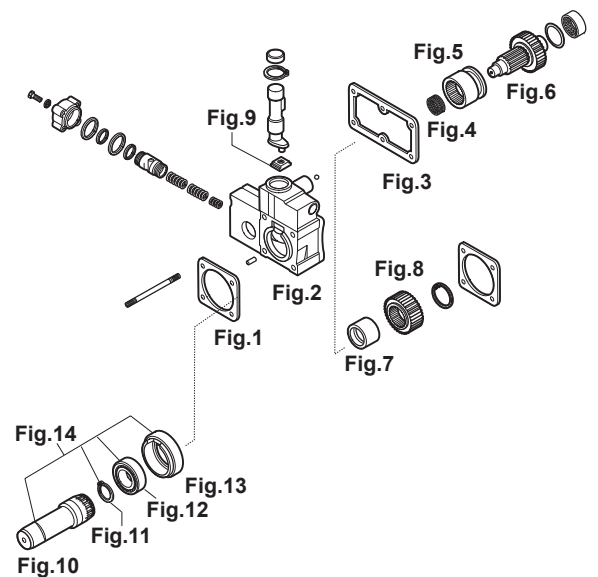
Fig.	Our No.	Part No.	TP	Description	Note
1		1240 217 091		HOUSING	
2	95531593	1238 308 201	●	GASKET	
3		1313 317 001		GASKET	
4		0735 320 120		NEEDLE BEARING 16X22X16	
5	95530892	1240 317 075		SLIDING SLEEVE	
6		1240 317 004		SHAFT PTO 29 T	
7		0635 303 108		BUSH	
8	95532743	1238 317 016		GEAR PTO 22 T	
9		0635 332 034		BEARING 40X80X18	
10		0630 503 010		LOCK RING	
11	95531593	1238 308 201	●	GASKET	
12		1238 309 067		COVER	
13	95570130	0630 502 039	NSS	ELASTIC RING	
14	95532409	0734 319 046	■	OIL SEAL 55X80X8	
15		1296 213 003		FLANGE	
16	95570120	1238 310 015	NSS	WASHER	
17		0634 306 234		O-RING 32X2,5	
18	95570118	1238 317 058		SLIDE	
19	95570378	1297 203 005		SHAFT P.T.O. 12 T.	
20	95570191	0630 531 055		SEEGER RING T.1,50 MM	
21	98530103	0635 331 390	●	BEARING 45X75X16	
22	95531058	1295 338 083		BUSH	
23	95570017	1295 142 011		REPAIR KIT	
24		1204 317 015		SHAFT	

Fig.	Our No.	Part No.	TP	Description	Note
1	95531593	1238 308 201	●	GASKET	
2		1240 217 091		HOUSING	
3		1313 317 001		GASKET	
4		0735 320 120		NEEDLE BEARING 16X22X16	
5	95530892	1240 317 075		SLIDING SLEEVE	
6		1240 317 004		SHAFT PTO 29 T	
7		0730 361 003		BUSH	
8	95532743	1238 317 016		GEAR PTO 22 T	
9	95570118	1238 317 058		SLIDE	
10	95570378	1297 203 005		SHAFT P.T.O. 12 T.	
11	95570191	0630 531 055		SEEGER RING T.1,50 MM	
12	98530103	0635 331 390	●	BEARING 45X75X16	
13	95531058	1295 338 083		BUSH	
14	95570017	1295 142 011		REPAIR KIT	

N71/2B



N71/2C



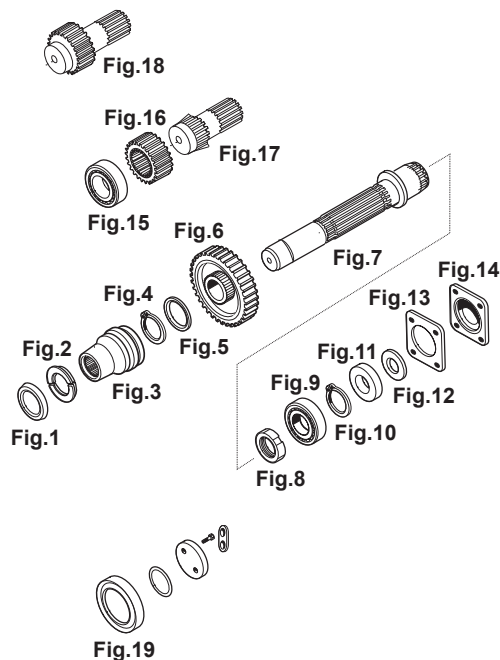


GEARBOX: 16S151

16S151 P.T.O. (Power Take Off)

Fig.	Our No.	Part No.	TP	Description	Note
1		1296 313 131		RING	
2		0730 104 627		RING	
3		1296 313 238		SLEEVE	
4		0630 531 133		LOCK RING	
5		0730 104 628		WASHER	
6		1296 313 082		GEAR 33 T	(A)
6		1296 313 083		GEAR 36 T	(B)
6		1296 313 084		GEAR 38 T	(C)
6		1296 313 085		GEAR 39 T	(D)
6		1296 313 086		GEAR 46 T	(E)
7	95531016	1296 213 028		INPUT SHAFT 12/18 T	
8		1296 313 125		RING	
9		0735 410 139		BEARING 40X80X23	
10		0630 531 314		SEEGER RING T.2,40 MM	
10		0630 531 315		SEEGER RING T.2,30 MM	
10		0630 501 135		SEEGER RING T.2,10 MM	
10		0630 531 049		SEEGER RING T.2,00 MM	
11		7429 032 102		RING	
12		1232 304 056		SHIM 1,60 MM	
12		1232 304 054		SHIM 1,40 MM	
12		1232 304 066		SHIM 1,20 MM	
12		1232 304 062		SHIM 1,00 MM	
13		0501 315 727		GASKET	
14		1250 313 190		COVER	
15		0635 416 308		BEARING	
16		1296 313 007		GEAR 27 T	(A)
16		1296 313 008		GEAR 24 T	(B)
17		1296 313 019		SHAFT	(AB)
18		1296 313 003		SHAFT 22 T.	(C)
18		1296 313 004		SHAFT 21 T.	(D)
18		1296 313 005		SHAFT 22 T.	(E)
19	95532542	0750 111 341	●	OIL SEAL 105X130X12	

N151



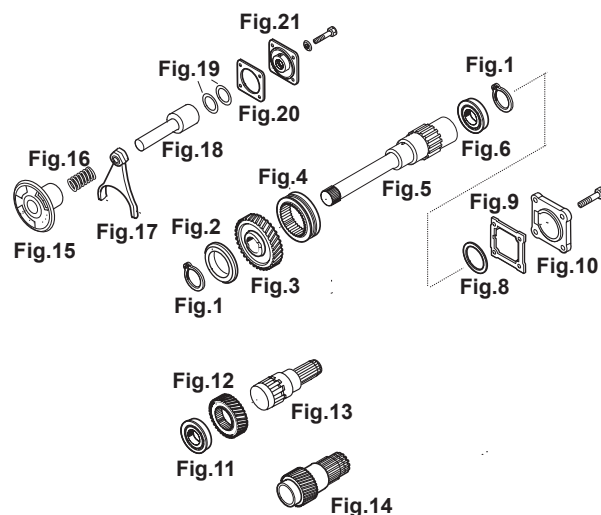
(A-B-C-D-E) To be used together.



16S151 P.T.O. (Power Take Off)

Fig.	Our No.	Part No.	TP	Description	Note
1		0730 501 275		SEEGER RING T.2,40 MM	
1		0730 501 372		SEEGER RING T.2,20 MM	
2		0730 101 140		WASHER	
3		1315 213 006		GEAR Z 37	(A)
3		1315 213 005		GEAR Z 40	(B)
3		1315 213 004		GEAR Z 44	(C)
3		1315 213 003		GEAR Z 46	(D)
4		1311 313 017		SLIDING SLEEVE	
5	95534144	1315 213 012	■	SHAFT P.T.O	
6		0735 410 139		BEARING 40X80X23	
8		0730 062 547		WASHER S.4,40 MM	
8		0730 060 893		WASHER S.3,60 MM	
9		0501 315 727		GASKET	
10		1250 313 190		COVER	
11	98530341	0635 373 021	■	BEARING 45X85X24,75	
12		1315 313 029		GEAR Z 30	(A)
12		1315 313 028		GEAR Z 27	(B)
13		1315 313 038		SHAFT P.T.O	(AB)
14		1315 313 025		SHAFT 23 T.	(C)
14		1315 313 024		SHAFT 21 T.	(D)
15		1315 313 077		COVER	
16		0732 041 323		PRESSURE SPRING	
17		1315 313 031		FORK	
18		1315 313 048		PISTON	
19		0634 316 248		O-RING	
20		0501 315 728		GASKET	
21		1315 313 049		COVER	

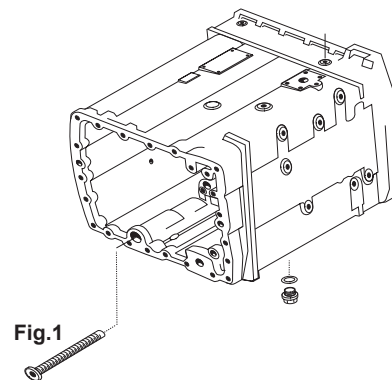
N 221



(A-B-C-D) To be used together.

16S151 Miscellaneous

Fig.	Our No.	Part No.	TP	Description	Note
1		0501 317 403		OIL FILTER	





GEARBOX: 16S151

16S151 REPAIR KIT

Fig.	Our No.	Part No.	TP	Description	Q.ty
	95532576	*****	■	REPAIR KIT	
1	95532566	0734 319 459	■	OIL SEAL 105X125X12/9,5	1 pc.
2	95532569	0634 313 656	NSS	O-RING 240X3	1 pc.
3	95532572	0634 313 017	NSS	O-RING 27X3	1 pc.
4	95532571	0634 313 568	NSS	O-RING 63X3	1 pc.
5	95532570	0634 313 056	NSS	O-RING 37X3	4 pcs.
6	95532575	0634 316 159	NSS	O-RING 7X2	1 pc.
7	95532565	0501 315 048	■	GASKET	1 pc.
8	95532567	0501 313 642	NSS	GASKET	1 pc.
9	95532573	0501 314 434	■	GASKET	1 pc.
10	95532568	0734 401 251	NSS	SEAL RING 65,1X70X3,5	2 pcs.
11	95532574	0634 316 510	NSS	O-RING 80X3	2 pcs.

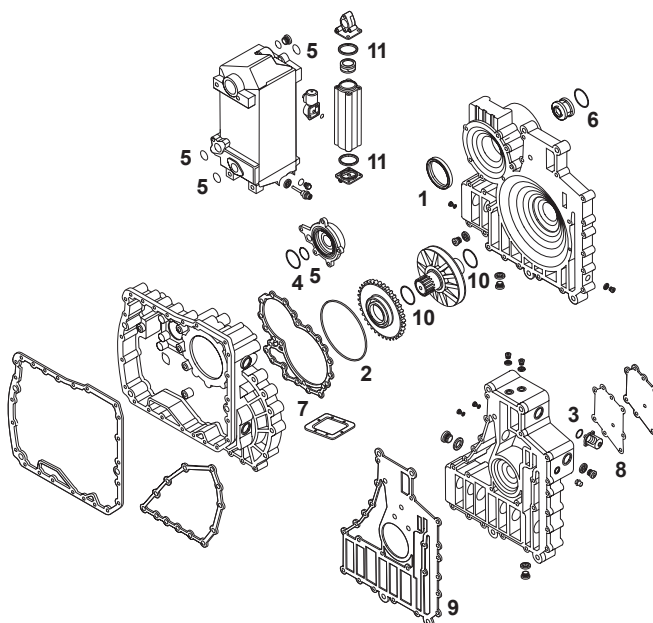


Fig.	Our No.	Part No.	TP	Description	Q.ty
	95532577	6085 298 013	■	REPAIR KIT	
		0734 319 068		SEAL RING 105X125X12/9,5	1 pc.
	95532566	0734 319 459	■	OIL SEAL 105X125X12/9,5	1 pc.
		0634 801 256		SEAL RING 26X31	4 pcs.
		0634 801 212		SEAL RING 10X13,5	1 pc.
	95534377	0730 008 637	●	SEAL RING 24X29	5 pcs.
		0634 801 037		SEAL RING 14X18	1 pc.
		0634 801 073		SEAL RING 22X27	2 pcs.
	95532484	0634 801 028	NSS	SEAL RING 12X16	3 pcs.
		0634 801 200		SEAL RING 24X29	1 pc.
		0634 801 329		SEAL RING 48X55	1 pc.
	95531964	0634 801 246	NSS	RING 12X15,5	1 pc.
		0634 801 281		O-RING 16X20	1 pc.
		0634 801 044		SPACER 16X20 DIN7603	1 pc.
	95532569	0634 313 656	NSS	O-RING 240X3	1 pc.
		0634 313 067		O-RING 70X3	1 pc.
	95532572	0634 313 017	NSS	O-RING 27X3	1 pc.
		0634 313 382		O-RING 13X2,5	1 pc.
	95532571	0634 313 568	NSS	O-RING 63X3	1 pc.
	95532570	0634 313 056	NSS	O-RING 37X3	4 pcs.
		0634 313 028		O-RING 7,65X1,78	2 pcs.

Fig.	Our No.	Part No.	TP	Description	Q.ty
	95532575	0634 316 159	NSS	O-RING 7X2	1 pc.
		0634 313 657		O-RING 78X3	1 pc.
	95532565	0501 315 048	■	GASKET	1 pc.
	95532567	0501 313 642	NSS	GASKET	1 pc.
	95532573	0501 314 434	■	GASKET	1 pc.
	95531584	1290 301 140	●	GASKET	1 pc.
	95532480	1315 301 234	NSS	SHEET GASKET	1 pc.
	95534420	1315 301 095	●	INTARDER GASKET	2 pcs.
	95532568	0734 401 251	NSS	SEAL RING 65,1X70X3,5	2 pcs.
		0634 307 820		RING	1 pc.
		0734 317 209		GASKET 68X80X8,5	1 pc.
	95532574	0634 316 510	NSS	O-RING 80X3	2 pcs.
		0634 801 155		SEAL RING 18X22	4 pcs.

95532577
6085 298 013

Repair Kit

