

Product Range

Edition 2015





*Quality is never accident;
it is always the result of intelligent effort.*
John Ruskin

All Original Equipment Manufacturer part numbers and Cross reference code numbers at the PEGA catalogue are itemized just for comparing.

It is not implied that any part listed is the product of these manufacturer.

We do not guarantee the accuracy or reliability and accept no liability for any loss or damage arising from any inaccuracies or omission in this catalogue

The contents of this catalogue must not be copied or reproduced without the written permission from PEGA Otomotiv Süspansiyon San. ve Tic. A.Ş.

©2015 by PEGA Otomotiv Süspansiyon San. ve Tic. A.Ş. All Rights Reserved.

Tüm OEM parça numaraları ve Çaprazlama İletişimindeki ürün kodları PEGA ürün kataloğunda sadece karşılaştırma amacı ile yer almaktadır.

PEGA Kataloğunda belirtilen ürün o üreticinin ürünü olduğuna dair bir bilgi yer almamaktadır.

Katalogta yer alan bilgilerin kesinliğine dair bir garanti vermiyoruz ve belirtilen ürün kriterlerinden ya da eksik bilgilerden kaynaklanan hata ya da zararlardan dolayı sorumluluk kabul etmiyoruz.

Bu katalogta yer alan bilgi ve resimler PEGA Otomotiv Süspansiyon San. ve Tic. A.Ş.'nin yazılı izni olmadan çoğaltılamaz ve farklı amaçlar için kullanılamaz.

©2015 PEGA Otomotiv Süspansiyon San. ve Tic. A.Ş. Tüm Hakları Saklıdır

EXPERIENCE AND POWER AT YOUR SIDE

PEGA OTOMOTIV SUSPANSIYON SAN.VE TIC.A.S. was established in 2008 by a team well experienced on developing, manufacturing and marketing air suspension systems on the International market for years. The built up knowledge attained by multinational companies and the high quality products have brought PEGA's name up to its righteous place on the World market.

Pega, as a major air spring manufacturer, is competing with the sector leaders in 75 countries all over the World with a high quality products and a range of over 900 types. Our main strength is our target to gain a maximum customers' satisfaction by providing constant improvement, high quality products and reliable services, which is a sine qua non "a must " of our market. PEGA OTOMOTIV SUSPANSIYON SAN.VE TIC.A.S. is certificated according to ISO TS 16949:2009 and ISO 14001:2004 standards to prove its quality and willingness to strengthen its continuous improvement.

Warranty Information

Pega® air springs that use in Buses, Trucks or Trailers have Standard two-year limited warranty featuring no mi/km restriction against failure due to material or workmanship defects.

WARRANTY HAVE SOME EXCLUSIONS:

- If an external solid matter caused a defect to the air spring.
- Operation of the air springs without air pressure or under the min. riding height.
- Over extension.
- Overloading the vehicle.
- Misalignment.
- Wrong installation.
- Using air spring in incorrect place.

TWO YEAR WARRANTY

Pega® air springs have been designed to provide thousands of miles or kms of trouble free service. The durability of Pega® Air spring is such that they will often outlast other maintenance items; such as shocks, bushings and levelling valves or other concerned parts related to the suspension system of vehicle. Pega® air springs are warranted to be free of material defects and/or workmanship for 2 years, depending upon the application. Free replacements may be provided by the manufacturer, dealer or by any Pega® air spring distributor (for details, please contact with customer representative). Since each individual air spring is closely examined and pressure tested at our production plant in Bursa, TURKEY. The vast majority of premature failures and consequent warranty returns are found not to be defected, but fail because of abuse caused by other problems associated with the suspension. Before you install a new air spring, you should carefully examine to determine what caused it to fail. If there was any problem in the suspension system, then the new air spring will also fail unless you correct the problem.



IMPORTANT DETAILS

• WARNING!

Do not inflate unless fully secured in the suspension or other adequate structure at design height. Improper use or over inflation may cause assembly to burst causing property damage and/or injury could result.

Working temperature -40°C to +70°C, -40°F to +158°F

• STORAGE

Air springs should be kept in a dark and dry storage area at normal room temperature.

• CHEMICAL RESISTANCE

Air Springs are;

Suitable for operation temperature from -40°C to +70°C, -40°F to +158°F

Resistant to oil contaminated compressed air

Resistant to chemical non-aggressive dust

Resistant to alkaline and acidic cleaning agent

Resistant to ozone

• AIR SPRINGS ARE NOT RESISTANT TO:

Solvents

Hydraulic oils

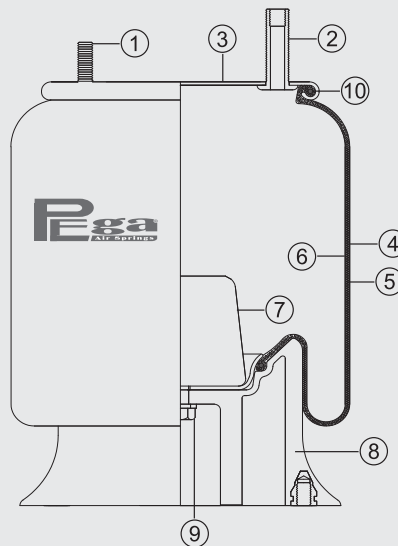
Lubrication grease

The components of PEGA airsprings

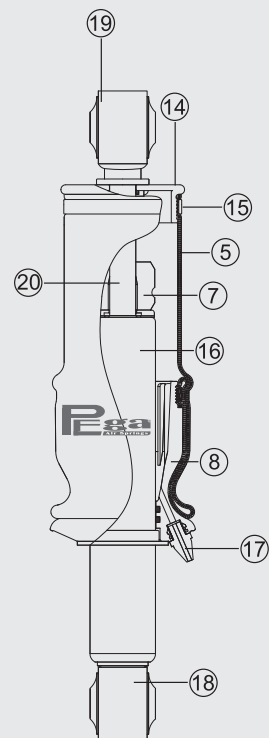


- 1- Mounting stud
- 2- Combo stud
Combination mounting stud and air fitting.
- 3- Plate
- 4- Outer rubber
- 5- Cord fabric
- 6- Inner rubber
- 7- Internal bumper
(Optional)
- 8- Piston
(Available in aluminium, steel or fibre-reinforced plastic)
- 9- Piston bolt
- 10- Bead ring
- 11- Blind nut
- 12- Air fitting hole
- 13- Girdle hub
- 14- Clamp plate
- 15- Clamp ring
- 16- Shock absorber
- 17- Air fitting
- 18- Ring mounting
(Built-in)
- 19- Ring mounting
(Replaceable bushings)
- 20- Metal rod

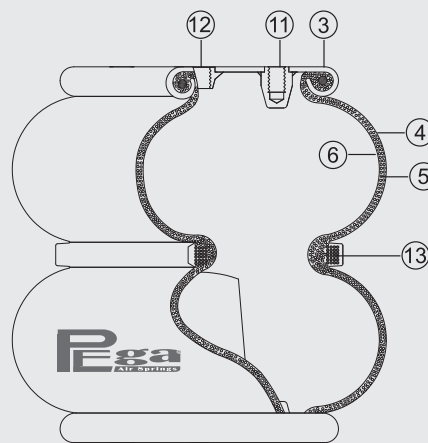
Complete rolling lobe



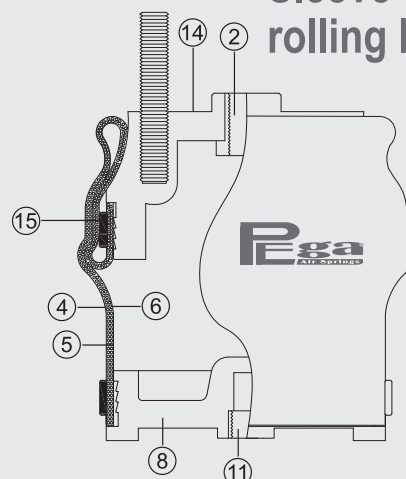
Cabin Airspring w/shock absorber



Convoluted bellow

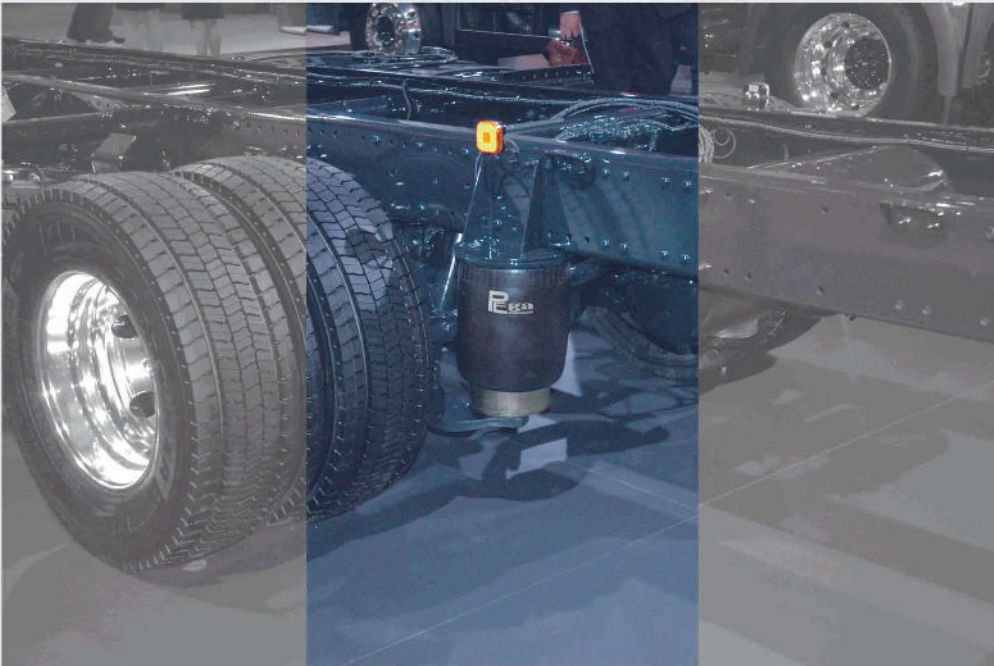


Sleeve type rolling lobe

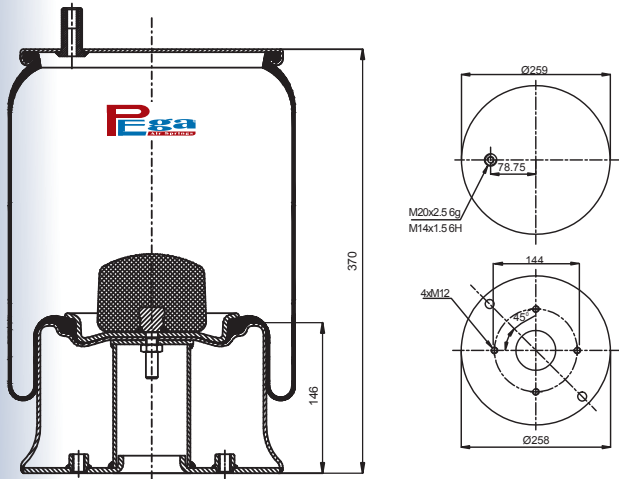


“Service Assembly”

A “Service assembly” includes a plate, bellows, internal bumper (if any), and all attaching hardware



P10.0081.C



Cross References

FIRESTONE	1T17B-11
	W01 M58 8747
GOODYEAR	1R13-150
DUNLOP	D13B42

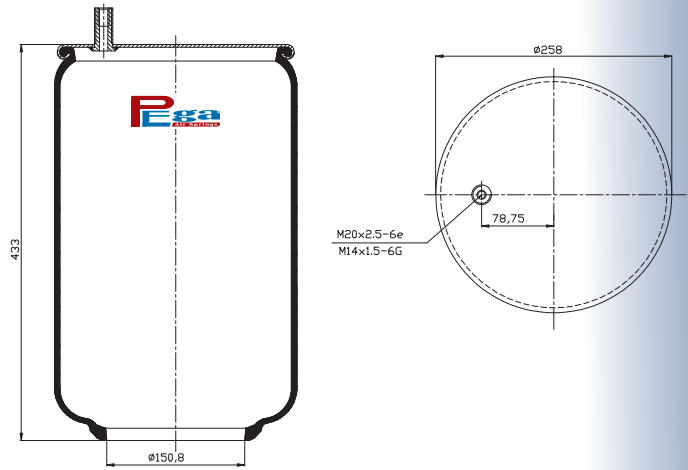
OE Part No

DISCOS MERCEDES	946 328 0401
HENDRICKSON	HS 251087
SAMRO	2500915

METAL PISTON

11,9 KG.

P10.0081.S



Cross References

Service Assembly

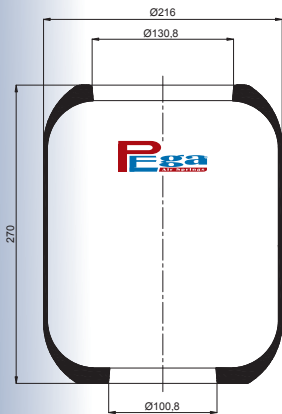
OE Part No

Guleryuz

SERVICE ASSEMBLY

4,5 KG.

P10.0165.R



Cross References

PIRELLI	1S 285-18-C
PIRELLI	97261

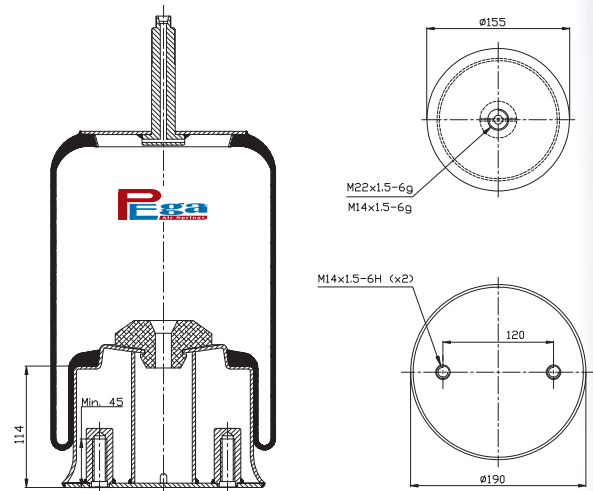
OE Part No

IVECO	8160165
IVECO	6144040

ROLL

1,5 KG.

P10.1050.GY



Cross References

Metal Piston

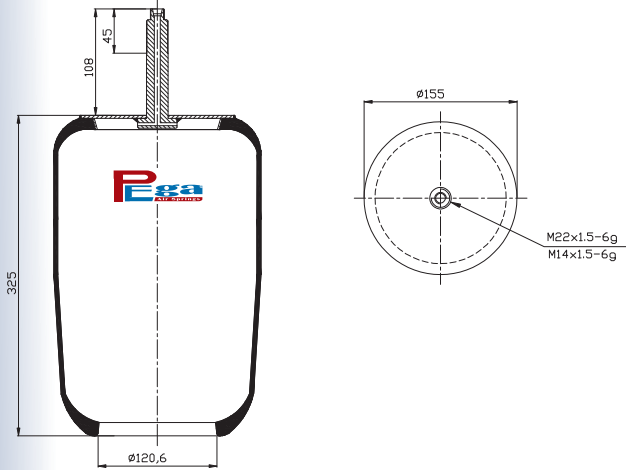
OE Part No

Guleryuz

METAL PISTON

7 KG.

P10.1050.S



Cross References

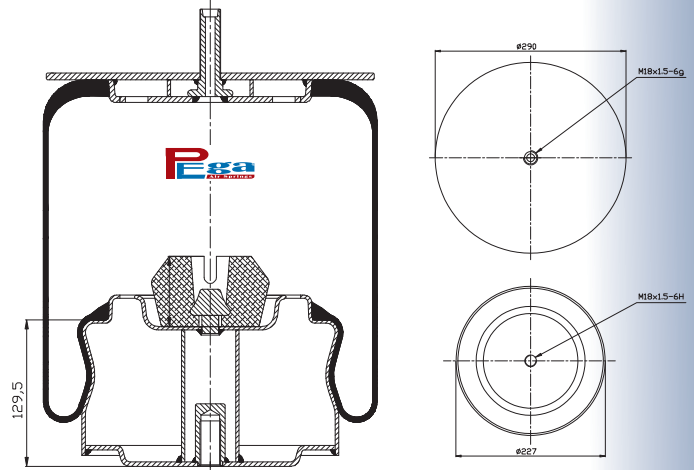
OE Part No

GULERYUZ

SERVICE ASSEMBLY

2 KG.

P10.1055.GY



Cross References

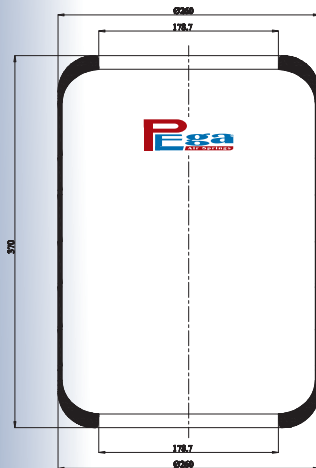
OE Part No

GULERYUZ

METAL PISTON

7,5 KG.

P10.1055.R



Cross References

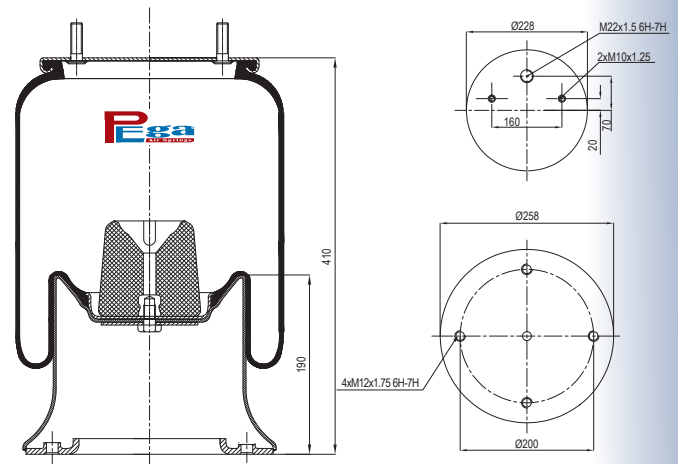
OE Part No

GULERYUZ

ROLL

2 KG.

P10.1210.C



Cross References

OE Part No

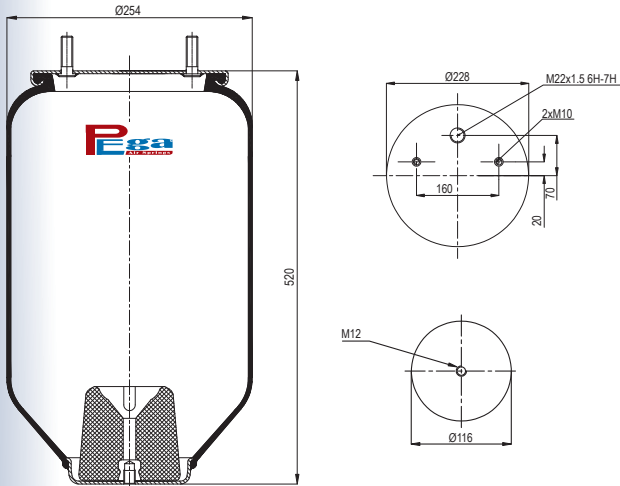
CF GOMMA 1T 323-40 96864

VIBERTI 128147109

METAL PISTON

9,7 KG.

P10.1210.S



Cross References

CF GOMMA 1 T 323-40 96864

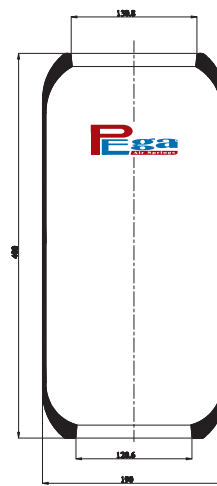
OE Part No

SEAT 128147109

SERVICE ASSEMBLY

4,3 KG.

P10.1277.R



Cross References

FIRESTONE 1RU 395 260
W010950453

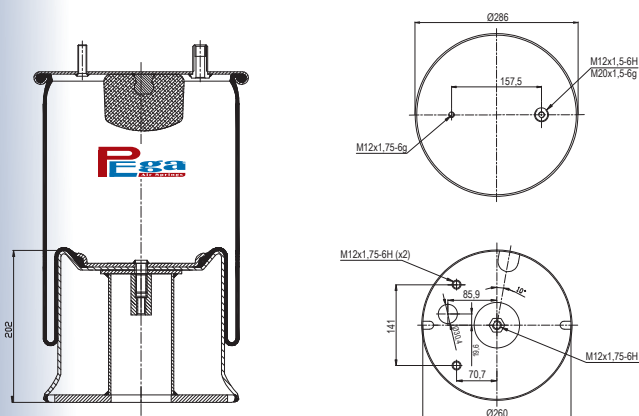
OE Part No

VOLVO 31 111 277

ROLL

1,5 KG

P10.1282.C



Cross References

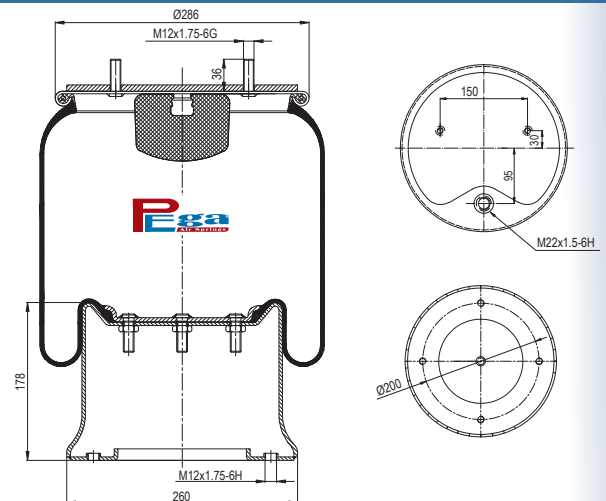
VIBRACOUSTIC V 1 D 28 H-2

OE Part No

METAL PISTON

15,3 KG.

P10.1285.C



Cross References

PHOENIX 1 D 28 F-5
VIBRACOUSTIC V 1 D 28 F-5
GOODYEAR 1R14-784
SPRINGRIDE D14B49

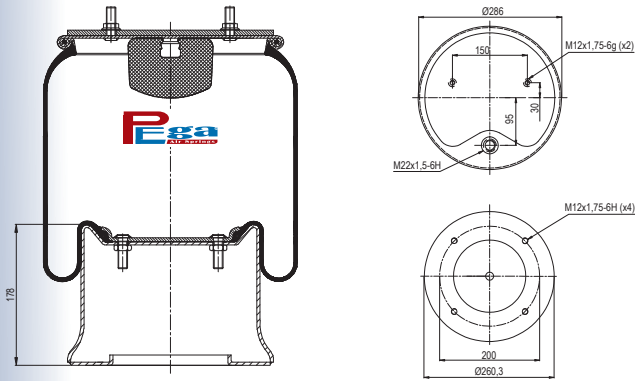
OE Part No

SCHMITZ 017 685
WEWELER US 04031 P

METAL PISTON

15 KG.

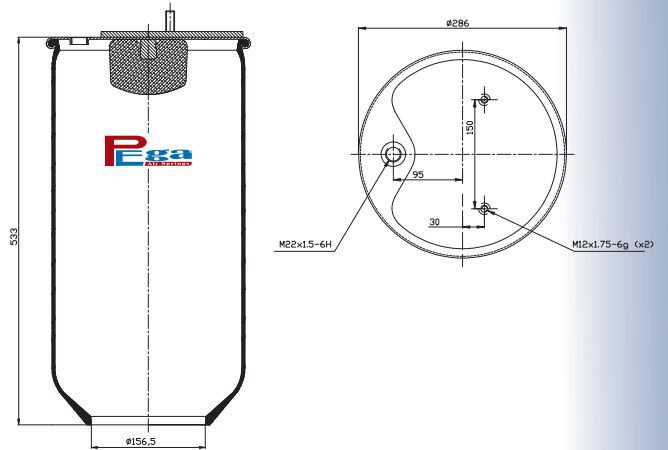
P10.1285.C1



Cross References		OE Part No	
CONTITECH	1415 N	IRISBUS	5001021414
PHOENIX	1 E 23 A		
VIBRACOUSTIC	V1E20A		
GOODYEAR	9113		

METAL PISTON 15 KG.

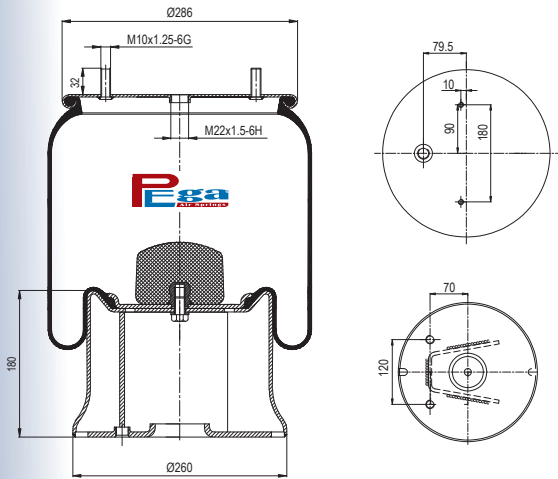
P10.1285.S



Cross References		OE Part No	

SERVICE ASSEMBLY 7 KG.

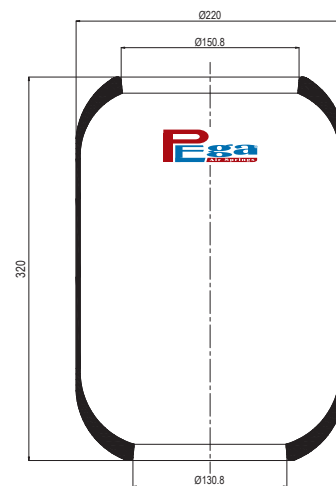
P10.1318.C



Cross References		OE Part No	
DUNLOP FR	D13B18, D13B12		
PHOENIX	1 DK28 B-7		

METAL PISTON 14 KG.

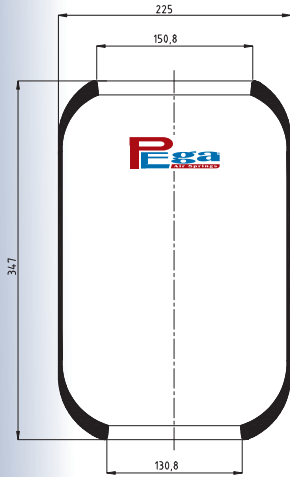
P10.1415.R



Cross References		OE Part No	
CONTITECH	1415 N	IRISBUS	5001021414
PHOENIX	1 E 23 A		
VIBRACOUSTIC	V1E20A		
GOODYEAR	9113		

ROLL 1,8 KG.

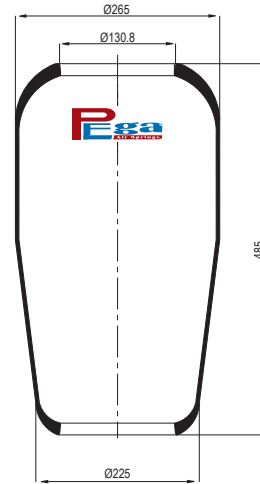
P10.1417.R



Cross References		OE Part No	
CONTITECH	1417 N	IRISBUS	503 129 220

ROLL 2 KG.

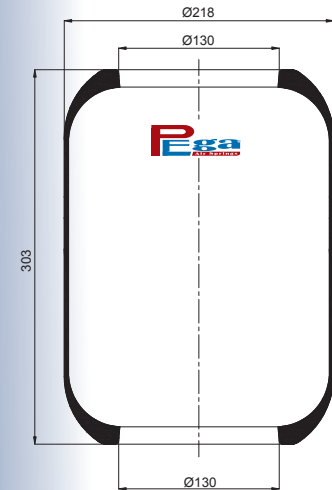
P10.1421.R



Cross References		OE Part No	
CONTITECH	1421 N	VOLVO	1 075 290
FIRESTONE	1R2A 490 305		
	W01 095 0472		
GOODYEAR	9072		
SPRINGRIDE	D12S18		
GART	C299E 299.0.490		

ROLL 2,3 KG.

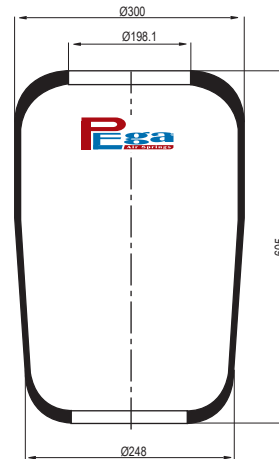
P10.1732.R



Cross References		OE Part No	
CF GOMMA	1S270-19 201732	IVECO	41008929

ROLL 1,2 KG.

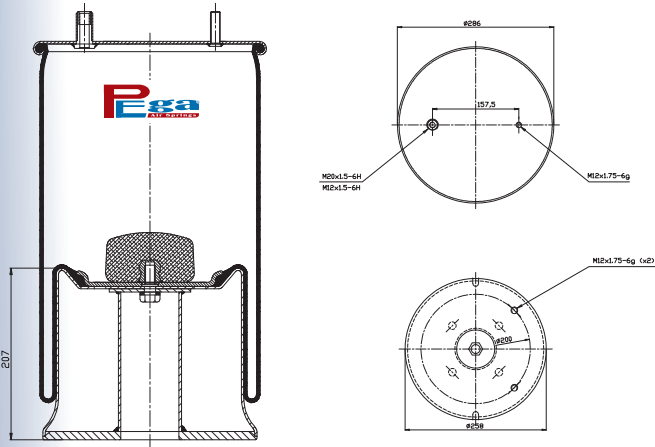
P10.1774.R



Cross References		OE Part No	
CONTITECH	1774 N	BPW	02 200 24 30 0
		GIGANT	196 039
		KÄSSBOHRER	4 731 038 000
		SCHMITZ	750 225

ROLL 4,2 KG.

P10.1840.C



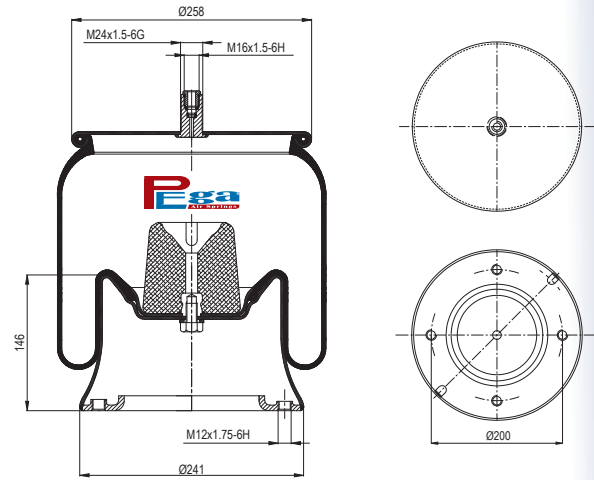
Cross References	
FIRESTONE	1T19L14 W01M588762
GOODYEAR	1R13-803

OE Part No	
FRUEHAUF	M001464

METAL PISTON

15 KG.

P10.1847.C



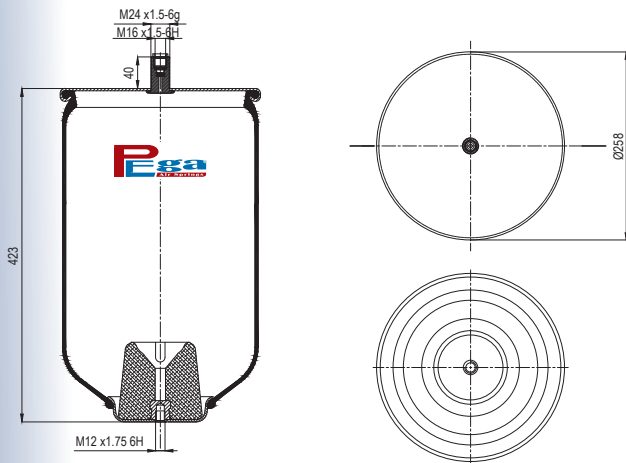
Cross References	
GOODYEAR	1R11-847 1R11-765

OE Part No	
HENDRICKSON	HS 508263

METAL PISTON

11 KG.

P10.1847.S



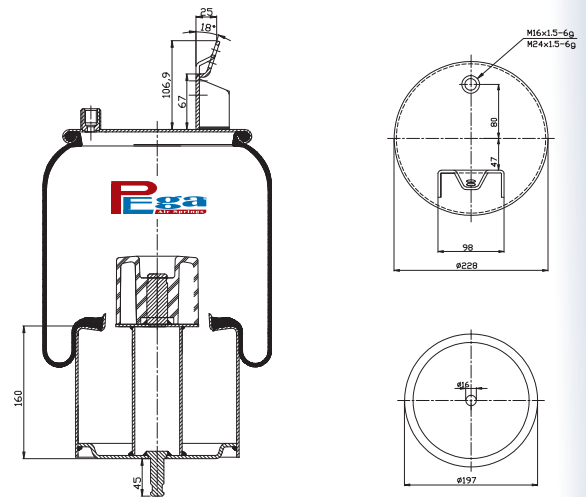
Cross References	
------------------	--

OE Part No	
------------	--

SERVICE ASSEMBLY

4,5 KG.

P10.1857.C

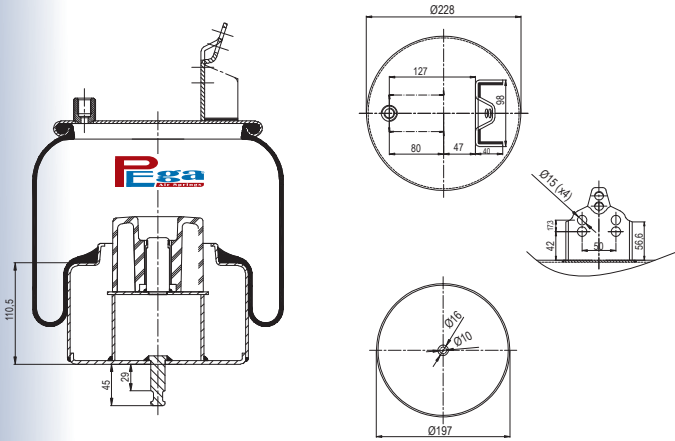


Cross References	
GOODYEAR	1R11-857

OE Part No	
VOLVO	20909150
VOLVO	21321521
VOLVO	21321515

METAL PISTON

8,7 KG.

P10.1859.C

Cross References

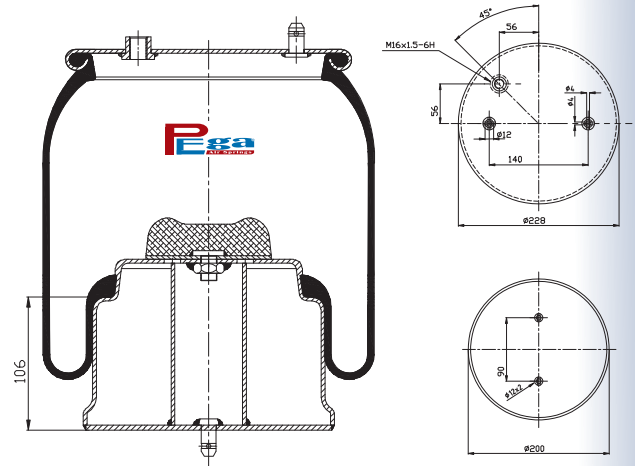
GOODYEAR	1R11-859
----------	----------

OE Part No

RENAULT	7420909153
---------	------------

METAL PISTON

7,4 KG.

P10.1879.C

Cross References

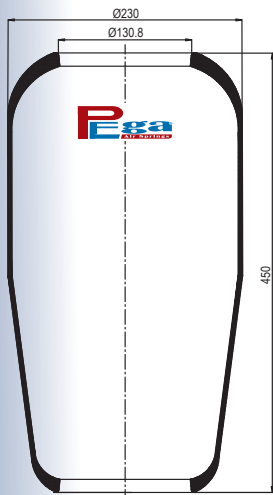
GOODYEAR	1R11-879
----------	----------

OE Part No

SCANIA	2024284
--------	---------

METAL PISTON

6,4 KG.

P10.1885.R1

Cross References

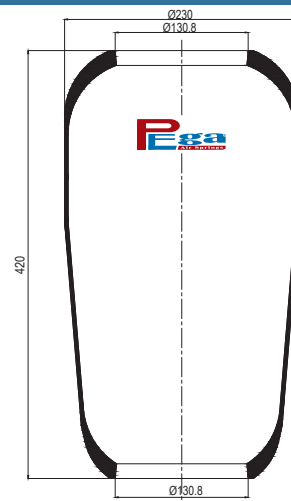
CONTITECH	1885 N1
FIRESTONE	1R2A445-280
	W01-095-0429
PHOENIX	1 F 20 B
VIBRACOUSTIC	V1F20B
GOODYEAR	9003
SPRINGRIDE	D12S07
CF GOMMA	1SC270-30 202265
GART	C289C 289.0.450

OE Part No

MAN	81 43601 0104
MAN	81 43601 0109
MAN	81 43601 0111
MAN	81 43601 0120
MAN	81 43601 0123
MAN	81 43601 0125
MAN	81 43601 0140
MAN	81 43601 0150
IVECO	98478799

ROLL

2 KG.

P10.1886.R

Cross References

CONTITECH	1886 N
-----------	--------

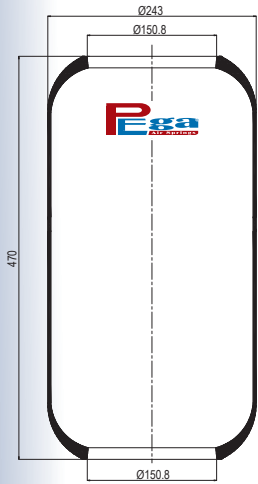
OE Part No

MAN	81 43601 1061
-----	---------------

ROLL

2 KG.

P10.1888.R



Cross References

CONTITECH 1888 N

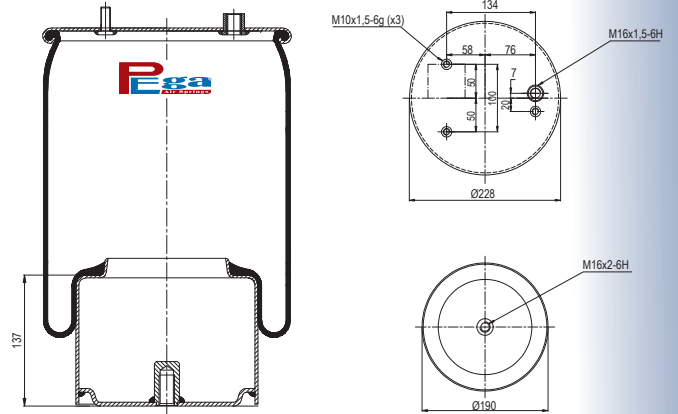
OE Part No

MAN 81.436.010.163
SACHS 00 1748 451 100

ROLL

2 KG.

P10.1889.C



Cross References

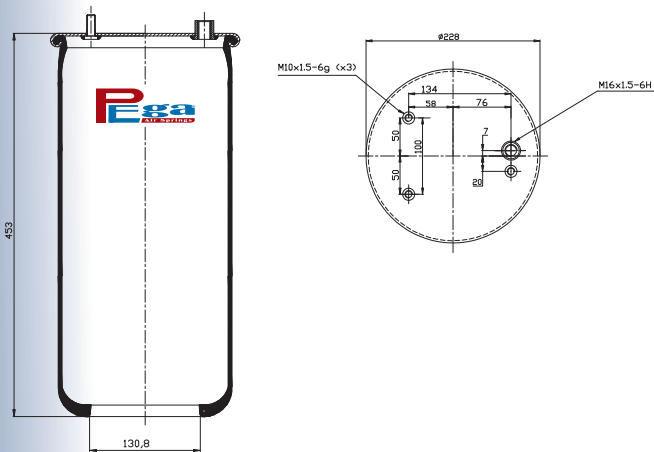
OE Part No

FORD CARGO
BMC

METAL PISTON

6,3 KG.

P10.1889.S



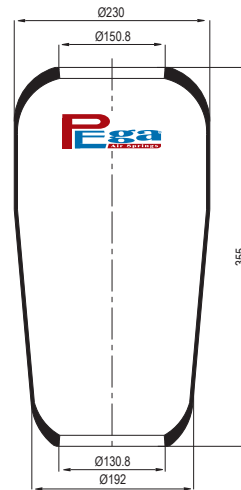
Cross References

OE Part No

SERVICE ASSEMBLY

3 KG.

P10.1924.R



Cross References

OE Part No

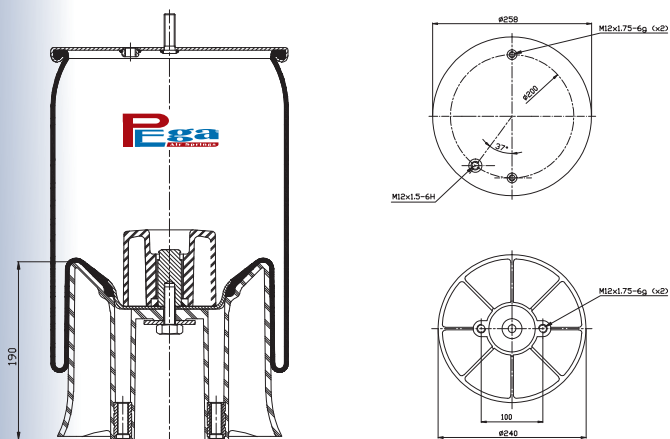
CONTITECH 1924 N1
PHOENIX 2 F 18
GART C298E 289.0.360

IRISBUS 5 001 843 640

ROLL

1,8 KG.

P10.2244.CP



Cross References

FIRESTONE 1T17BPZ11
W01R582244

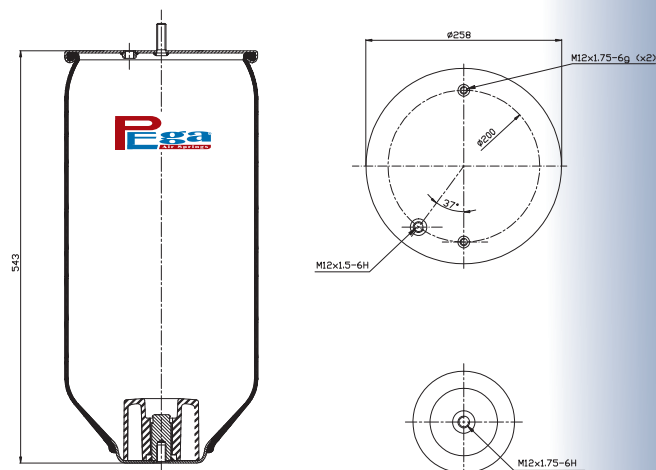
OE Part No

MERITOR 21231515

PLASTIC PISTON

7,3 KG.

P10.2244.S

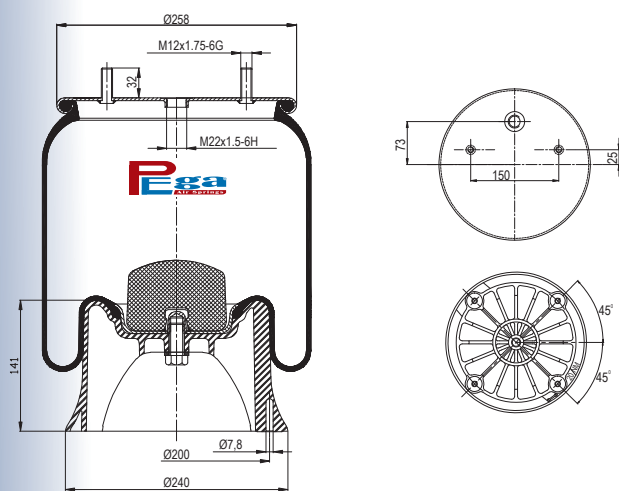


Cross References

OE Part No

5 KG.

P10.2618.CP



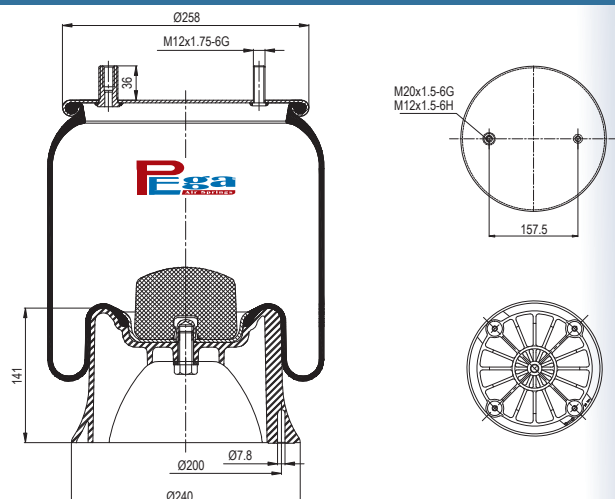
Cross References

SAF HOLLAND 2618 IL 3.229.0040.00

PLASTIC PISTON

6,5 KG.

P10.2618.CP01



Cross References

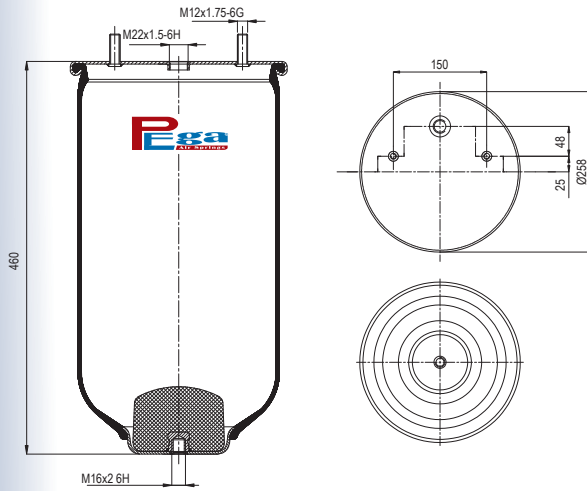
OE Part No

SAF HOLLAND

PLASTIC PISTON

6,5 KG.

P10.2618.S



Cross References

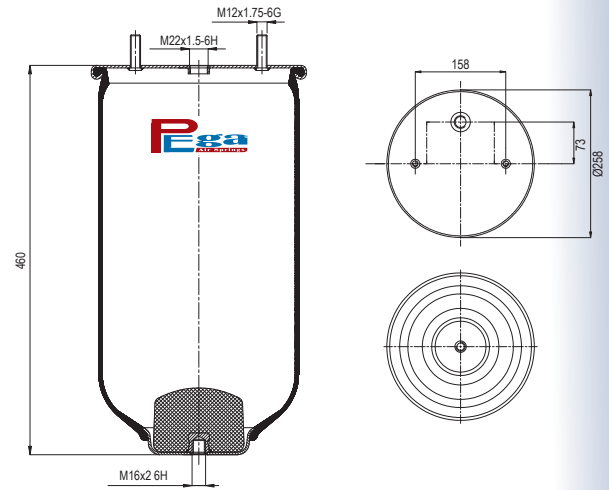
OE Part No

SAF HOLLAND

SERVICE ASSEMBLY

5 KG.

P10.2618.S02



Cross References

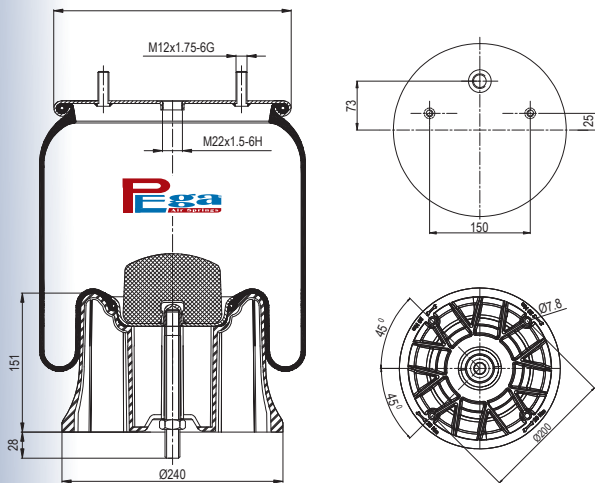
OE Part No

SAF HOLLAND

SERVICE ASSEMBLY

5 KG.

P10.2619.CP



Cross References

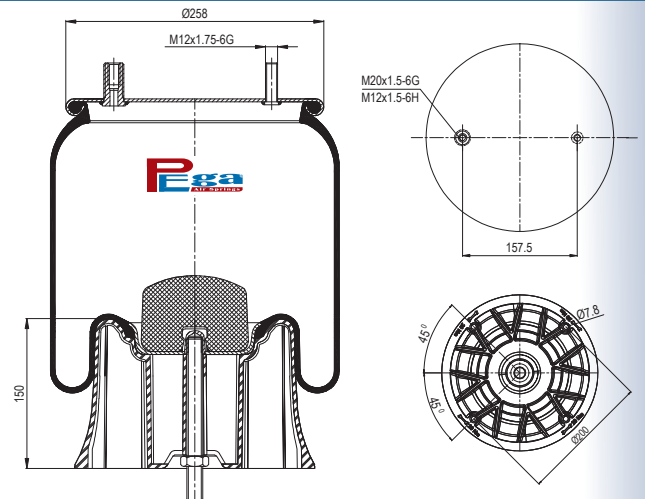
OE Part No

SAF HOLLAND 3.229.0033.00

PLASTIC PISTON

7 KG.

P10.2619.CP01



Cross References

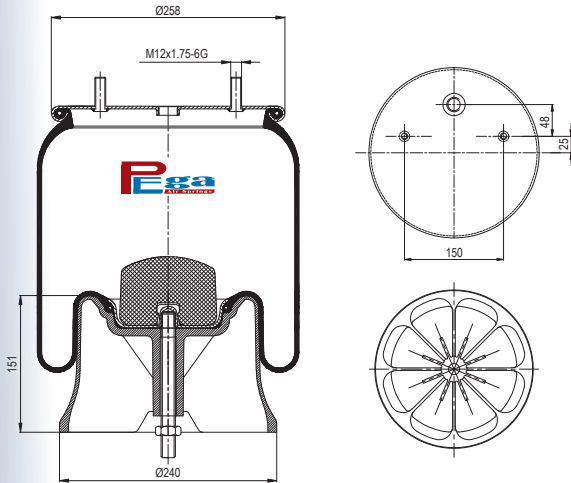
OE Part No

SAF HOLLAND 2619 IL 3.229.0043.00

PLASTIC PISTON

7 KG.

P10.2619.CP02



Cross References

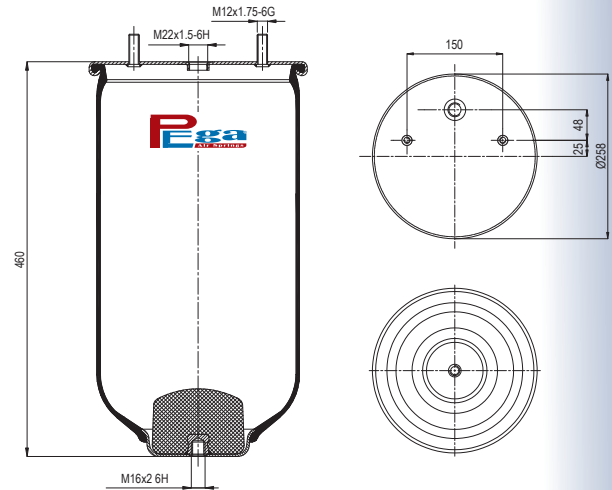
OE Part No

SAF HOLLAND

PLASTIC PISTON

7 KG.

P10.2619.S



Cross References

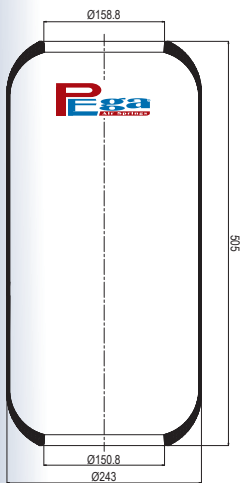
OE Part No

SAF HOLLAND

SERVICE ASSEMBLY

5 KG.

P10.2620.R



Cross References

OE Part No

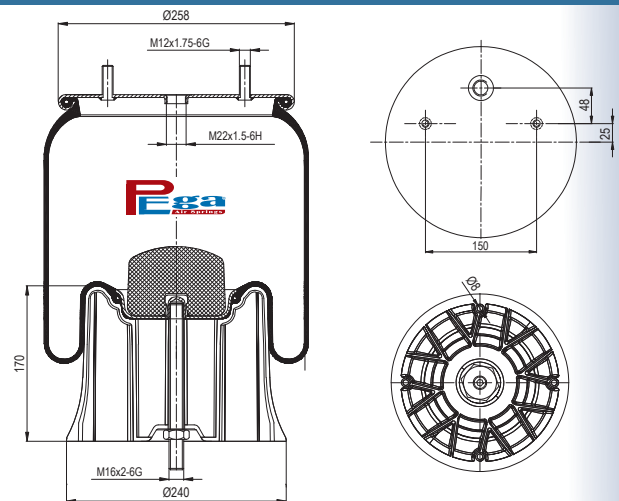
CF GOMMA 1S 323-36 203833

IVECO 41022620

ROLL

2 KG.

P10.2621.CP



Cross References

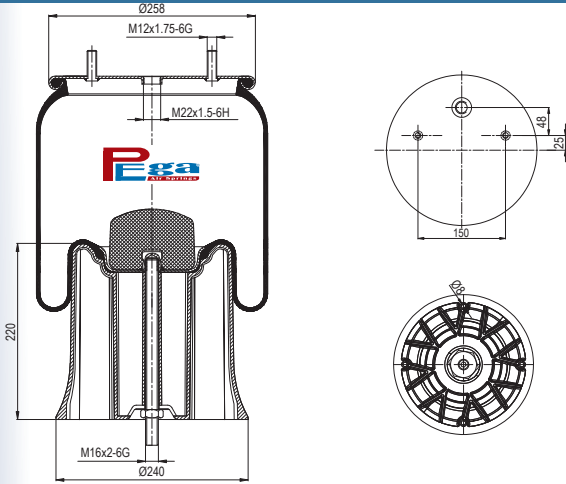
OE Part No

SAF HOLLAND 3 229 0038 00

PLASTIC PISTON

7,5 KG.

P10.2626.CP



Cross References

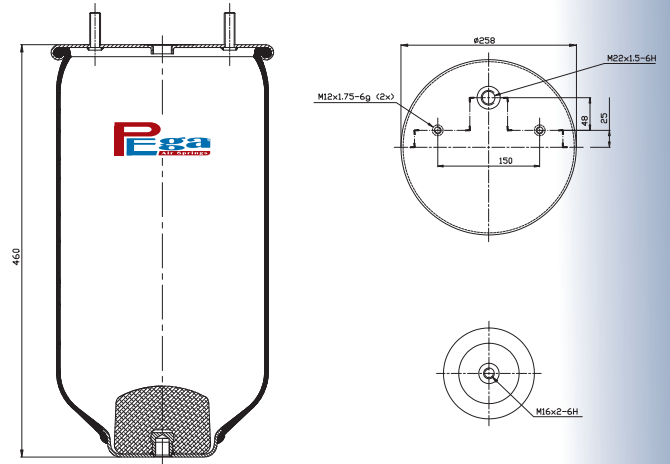
OE Part No

SAF HOLLAND 3 229 0039 00

PLASTIC PISTON

8 KG.

P10.2626.S



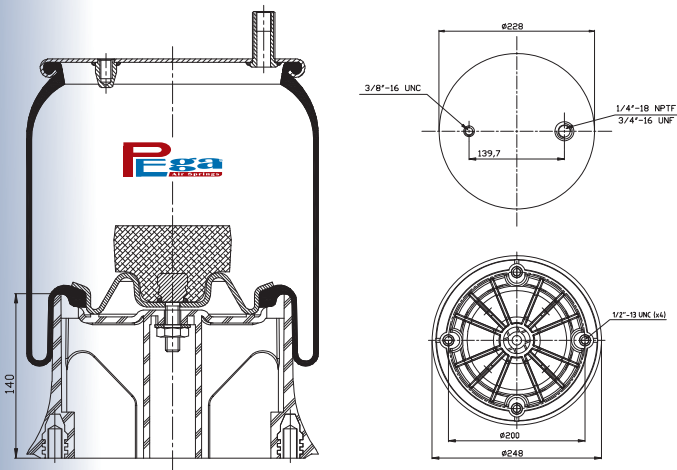
Cross References

OE Part No

SERVICE ASSEMBLY

4 KG.

P10.2642.CP



Cross References

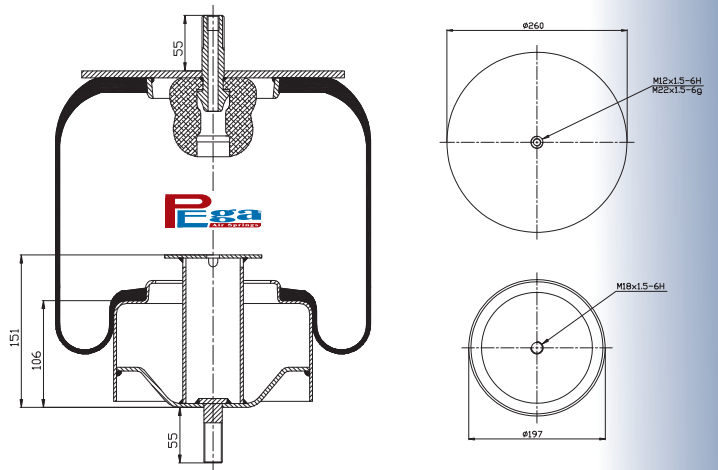
OE Part No

GOODYEAR 1R12-642

PLASTIC PISTON

8 KG.

P10.2644.C



Cross References

OE Part No

METAL PISTON

6,7 KG.

P10.2644.R



Cross References

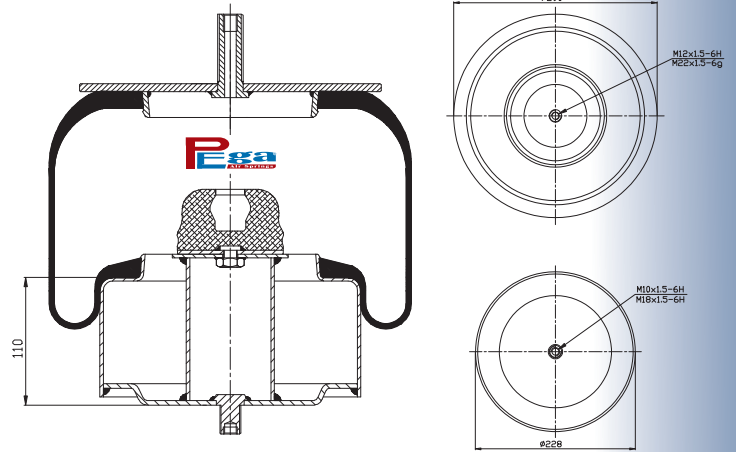
OE Part No

BMC

ROLL

2 KG.

P10.2661.C



Cross References

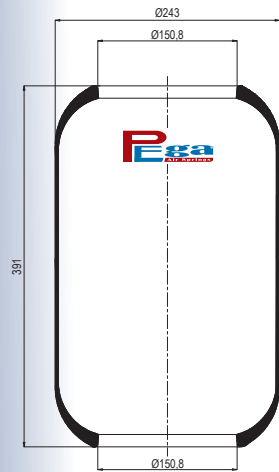
OE Part No

BMC

METAL PISTON

7,5 KG.

P10.2661.R



Cross References

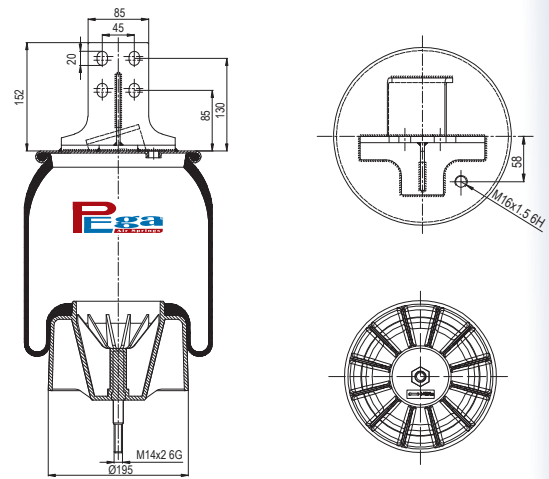
OE Part No

BMC

ROLL

1,8 KG.

P10.27023.CP01



Cross References

OE Part No

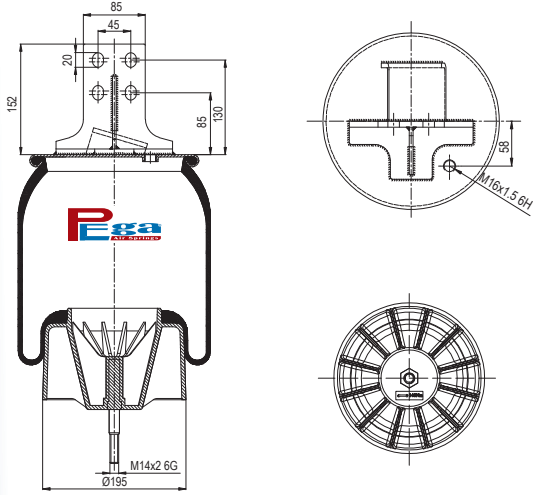
CF GOMMA 1TS 270 23C 206685

IVECO 41270466

PLASTIC PISTON

6,7 KG.

P10.27023.CP02



Cross References

CF GOMMA 1TS 270 23C 206684

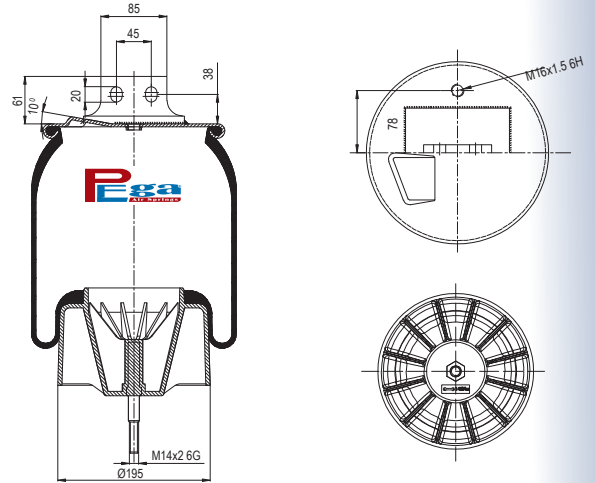
OE Part No

IVECO 41270465

PLASTIC PISTON

6,7 KG.

P10.27023.CP03



Cross References

CF GOMMA 1TS 270 23C 206686

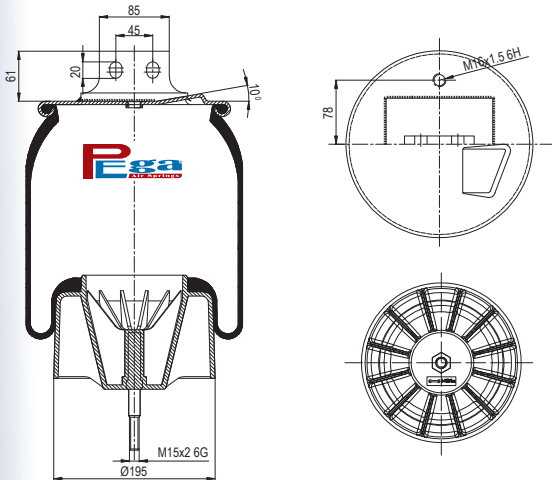
OE Part No

IVECO 41270462

PLASTIC PISTON

5,6 KG.

P10.27023.CP04



Cross References

CF GOMMA 1TS 270 23C 206687

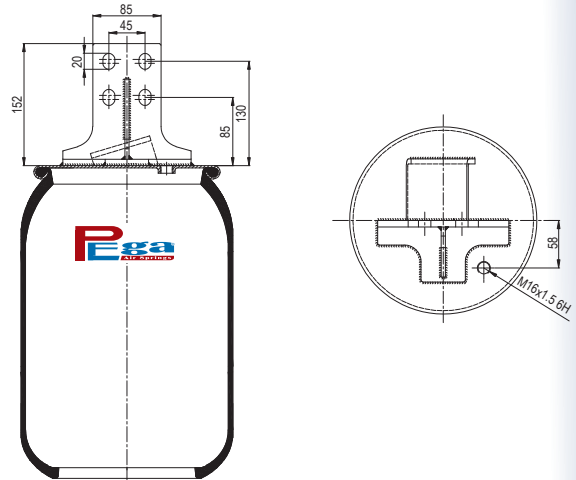
OE Part No

IVECO 41270463

PLASTIC PISTON

5,6 KG.

P10.27023.S01



Cross References

CF GOMMA 1TS 270 23 207171

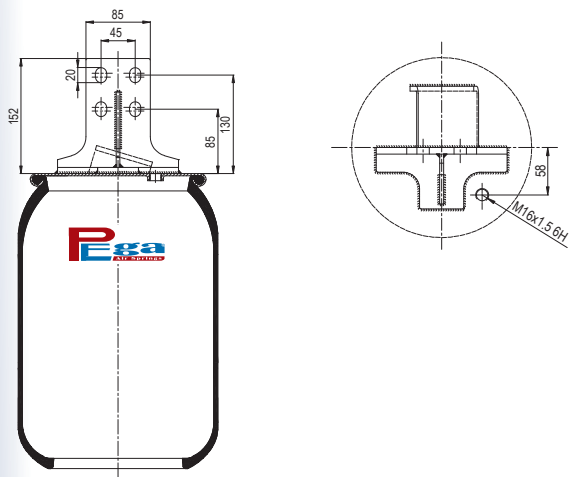
OE Part No

IVECO 42559768

SERVICE ASSEMBLY

5,4 KG.

P10.27023.S02



Cross References

CF GOMMA 1TS 270 23 207170

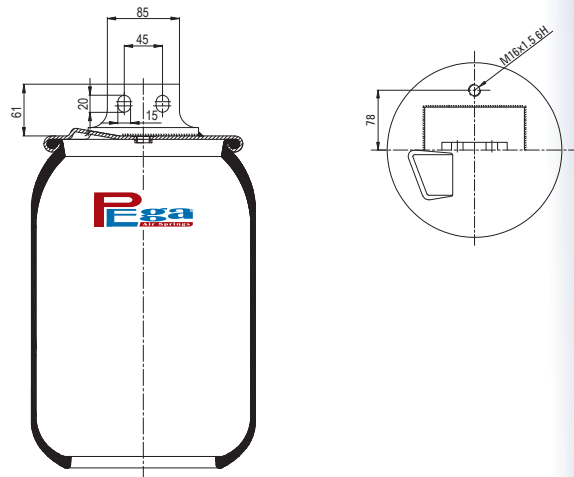
OE Part No

IVECO 42559767

SERVICE ASSEMBLY

5,4 KG.

P10.27023.S03



Cross References

CF GOMMA 1TS 270 23 207173

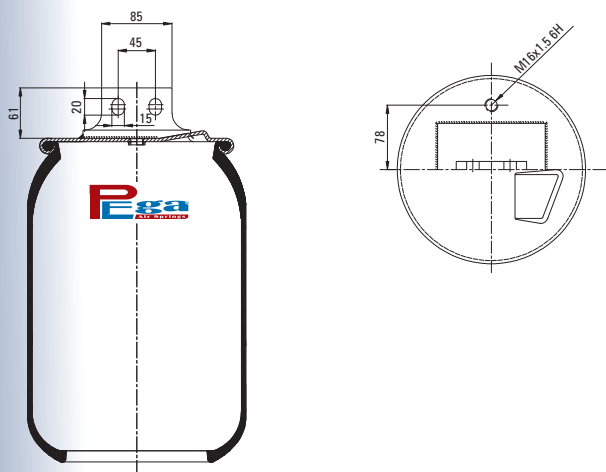
OE Part No

IVECO 42559766

SERVICE ASSEMBLY

4,3 KG.

P10.27023.S04



Cross References

CF GOMMA 1TS 270 23 207172

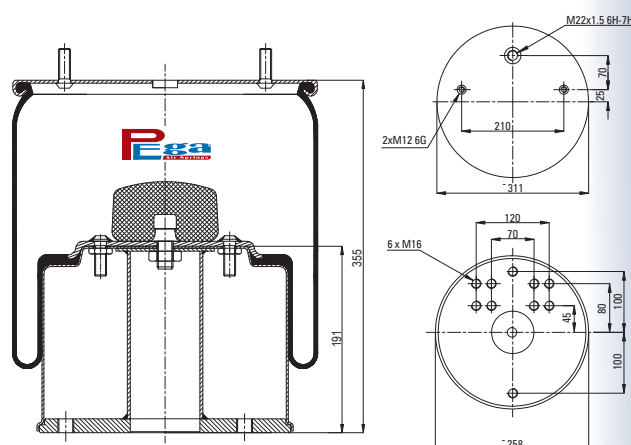
OE Part No

IVECO 42559765

SERVICE ASSEMBLY

4,3 KG.

P10.2725.C



Cross References

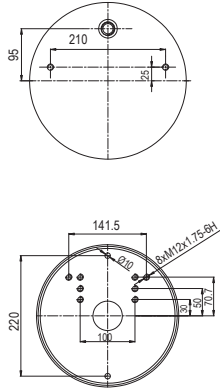
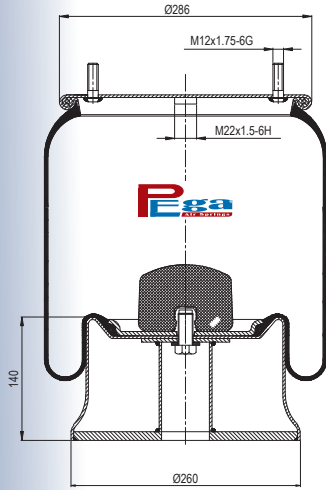
CONTITECH 2725 N

OE Part No

METAL PISTON

15,7 KG.

P10.2813.C



Cross References

FIRESTONE	1T19L-7
	W01 M58 6222
GOODYEAR	1R14-825
VIBRACOUSTIC	V1DK28A-13
PHOENIX	1D28 A-13

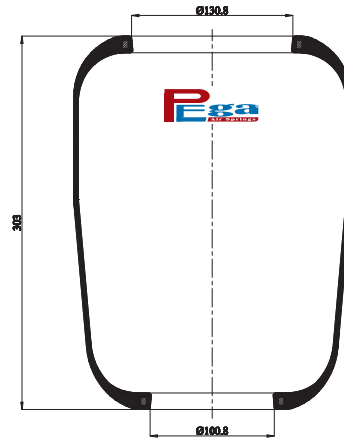
OE Part No

DAIMLER TAS	A 946 328 19 01
LECIÑENA	
WEWELER	US 07337RP

METAL PISTON

13,5 KG.

P10.291.R



Cross References

CF GOMMA	1SC260-30
	97613

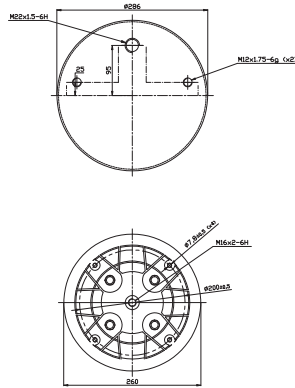
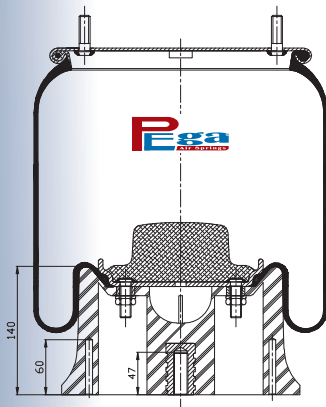
OE Part No

IVECO	8137291
-------	---------

ROLL

1,2 KG.

P10.2919.CP



Cross References

--	--

OE Part No

SAF HOLLAND	2919V
	3228104200

PLASTIC PISTON

9 KG.

P10.2923.C



Cross References

--	--

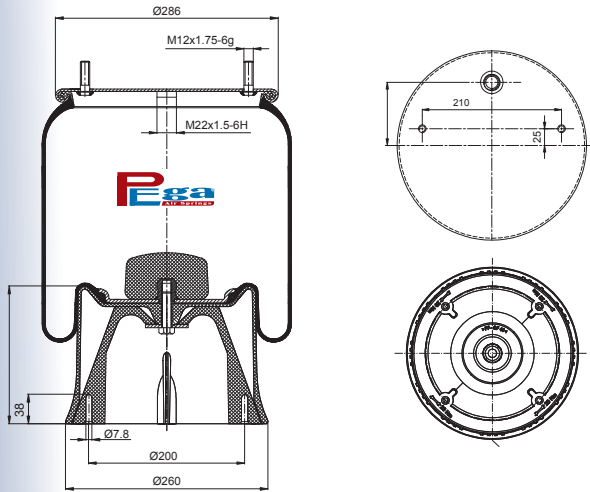
OE Part No

SAF HOLLAND 2923V	3.229.0031.00
-------------------	---------------

METAL PISTON

9,5 KG.

P10.2923.CP



Cross References

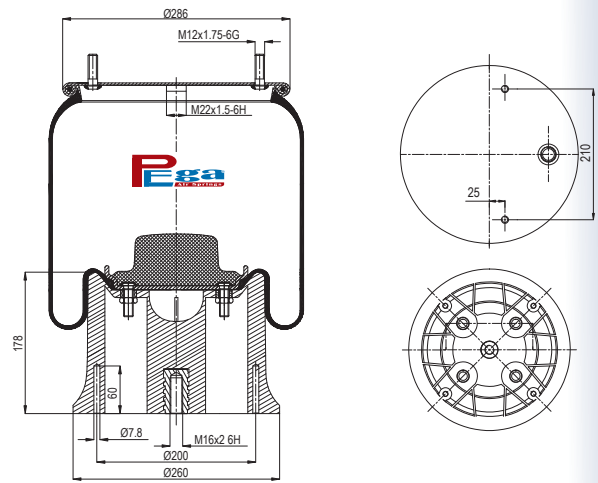
OE Part No

SAF HOLLAND 2923 VK 3.229.0028.00

PLASTIC PISTON

8,5 KG.

P10.2924.CP



Cross References

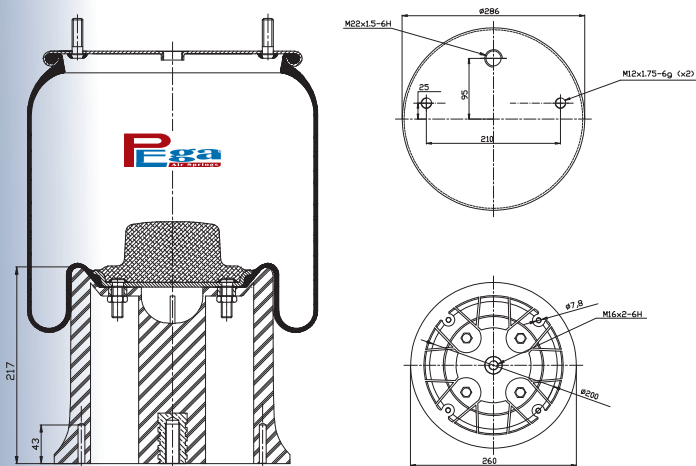
OE Part No

SAF HOLLAND 2924 V 3.229.0041.00

PLASTIC PISTON

9 KG.

P10.2927.CP



Cross References

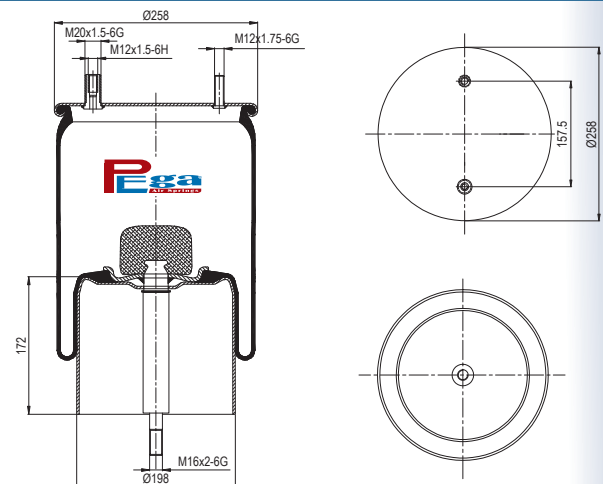
OE Part No

SAF HOLLAND 2927
3228104700

PLASTIC PISTON

12 KG.

P10.3042.C



Cross References

OE Part No

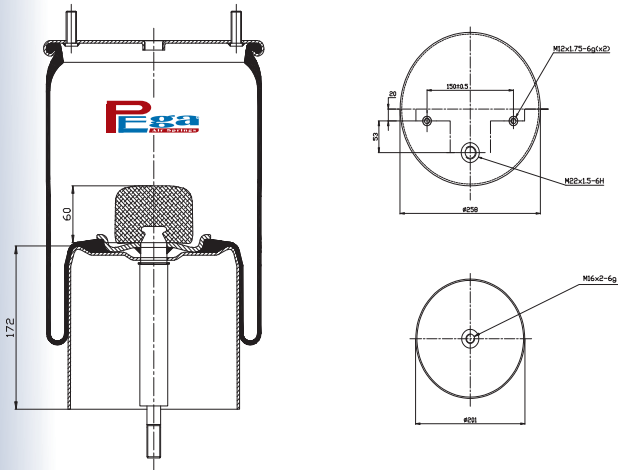
VIBRACOUSTIC V 1 DF 21 A-2
-166294

GIGANT 166294

METAL PISTON

7,4 KG.

P10.3042.C01



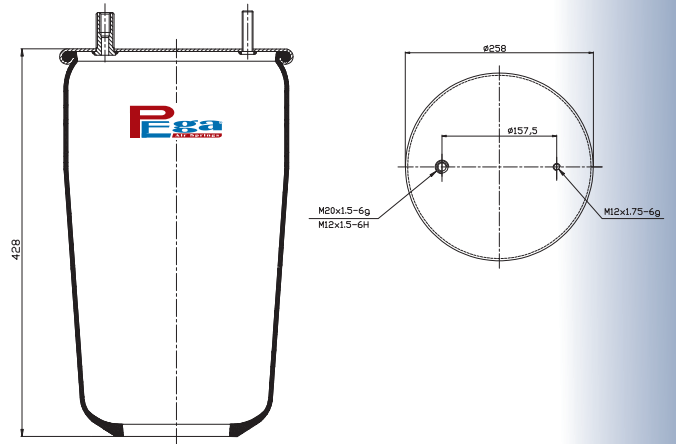
Cross References	
CONTITECH	4007 N P01

OE Part No	
GIGANT	166292
	247104
	3042
	724K

METAL PISTON

7,4 KG.

P10.3042.S



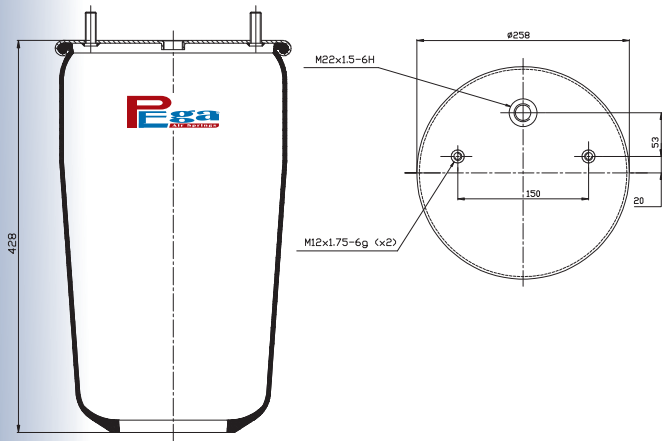
Cross References	
------------------	--

OE Part No	
------------	--

SERVICE ASSEMBLY

3,6 KG

P10.3042.S01



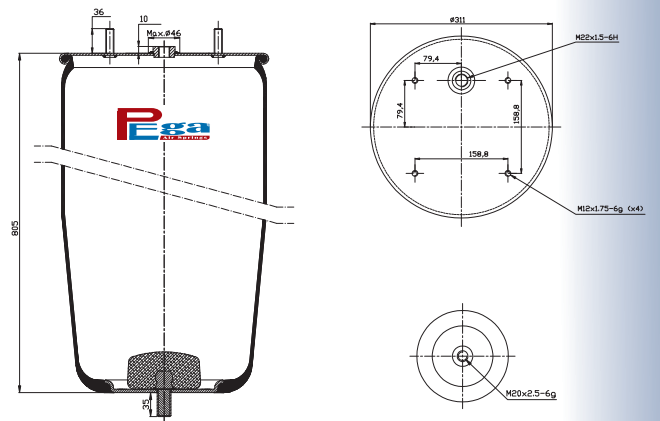
Cross References	
CONTITECH	4007 N P01

OE Part No	
GIGANT	166271
	247104

SERVICE ASSEMBLY

4,6 KG.

P10.3138.S



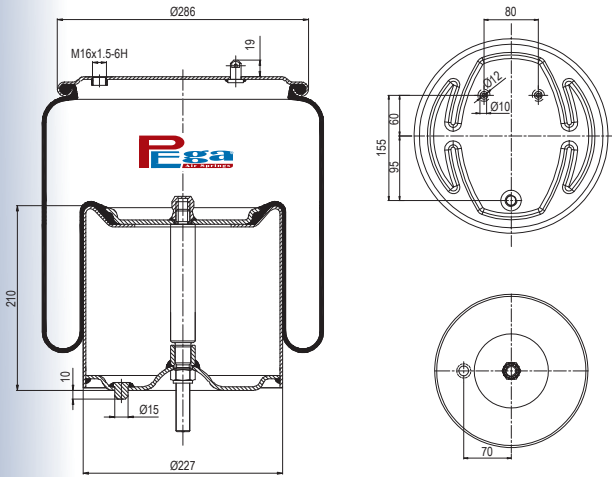
Cross References	
CONTITECH	3138 N P01

OE Part No	
SAF HOLLAND	4284300400
	3228004800
	3228004900
	3228005000
	3228001900
	3228002200
	3228002300
	3138

SERVICE ASSEMBLY

7,4 KG.

P10.3608.C



Cross References

CONTITECH 6700 N P02

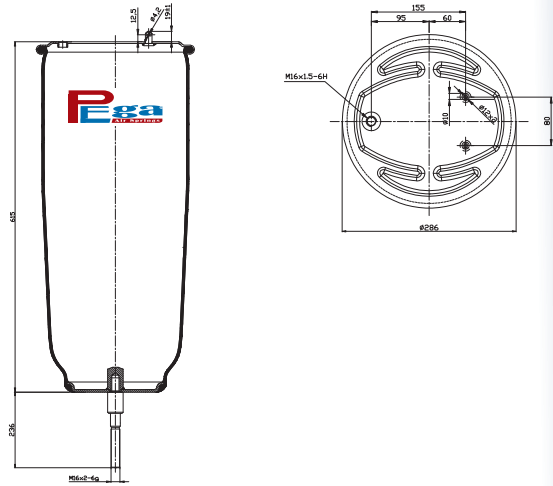
OE Part No

SCANIA 1903608

METAL PISTON

12 KG.

P10.3608.S



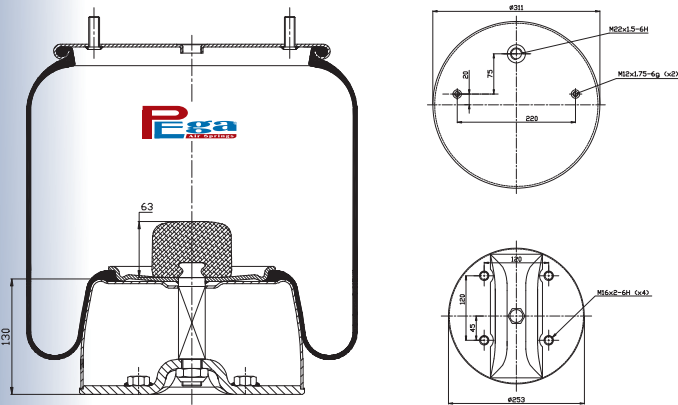
Cross References

OE Part No

SERVICE ASSEMBLY

7,5 KG

P10.3642.C



Cross References

CONTITECH 4725 N P01

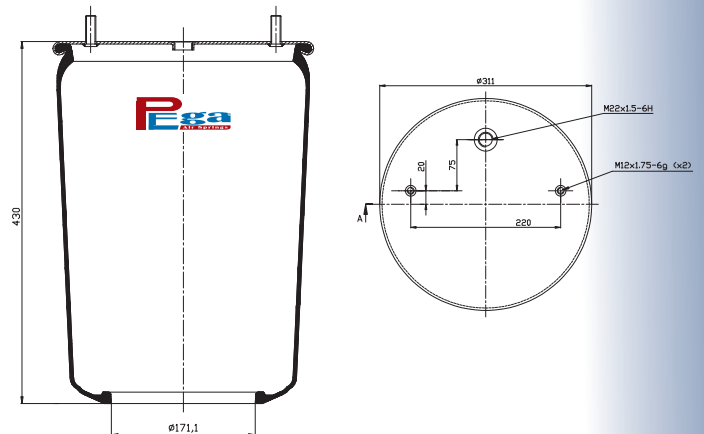
OE Part No

GIGANT 247103

METAL PISTON

12 KG.

P10.3642.S



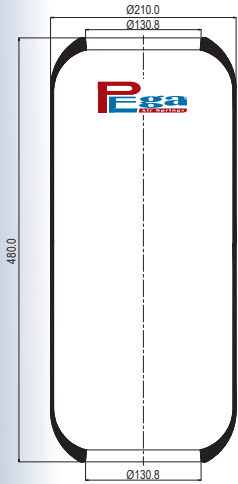
Cross References

OE Part No

SERVICE ASSEMBLY

4,6 KG.

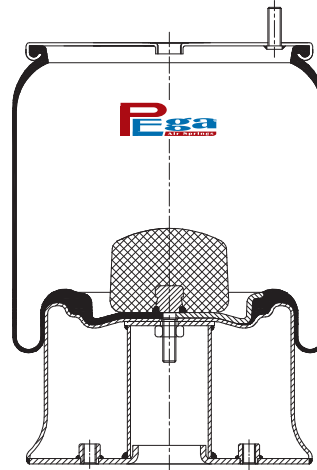
P10.3698.R



Cross References		OE Part No	
PIRELLI	203698	IVECO	500 319 479

ROLL 2 KG.

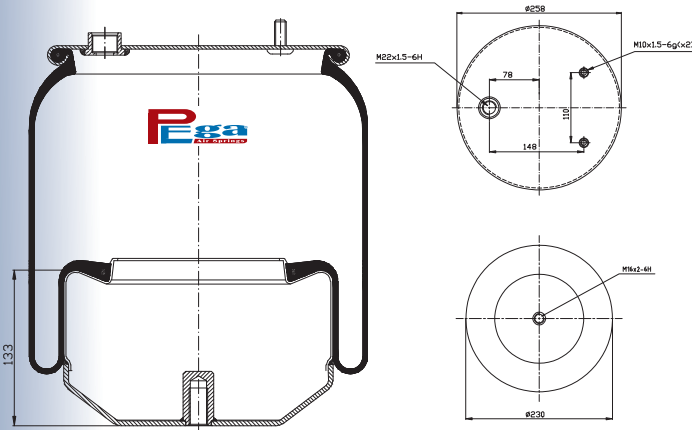
P10.3708.C



Cross References		OE Part No	
FIRESTONE	1T17CL-9.5	HENDRICKSON	QE 100004
	W01 M58 8643		
GOODYEAR	1R13-708		

METAL PISTON 14 KG.

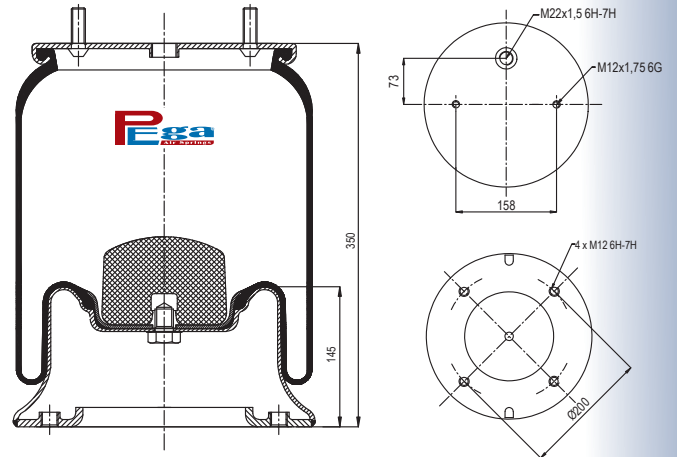
P10.3826.C



Cross References		OE Part No	
		DAF	1883826

METAL PISTON 7,7 KG.

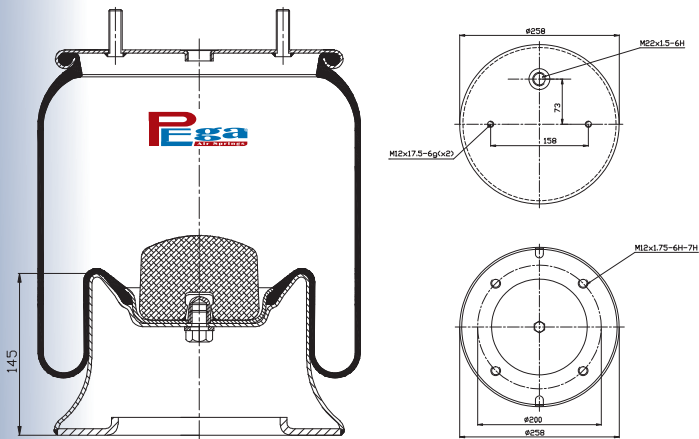
P10.4004.C03



Cross References		OE Part No	
CONTITECH	4004 N P05	SAF HOLLAND	2229 0007 01
GOODYEAR	1R11-706	SAF HOLLAND	3229 0007 00
PHOENIX	1DK22E5	SAF HOLLAND	3229 0007 00
TAURUS	KR505-27SM	SAF HOLLAND	3229 0007 02
DUNLOP	D12B13/B14	SAF HOLLAND 2618 (E5)	2229.0007.00
CF GOMMA	1T 300 33 97722		

METAL PISTON 9,3 KG.

P10.4004.C33



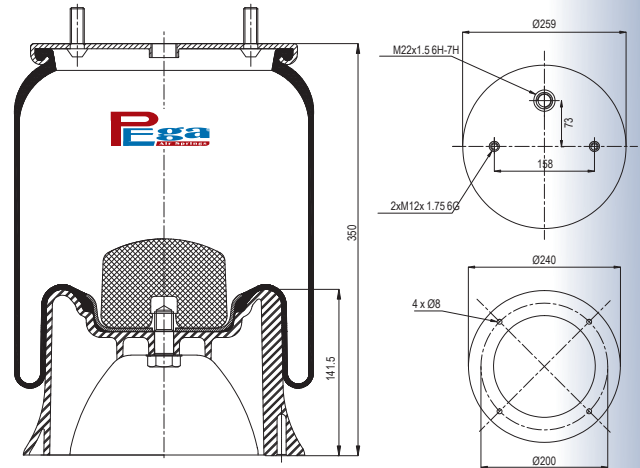
Cross References

OE Part No

METAL PISTON

9,3 KG.

P10.4004.CP03



Cross References

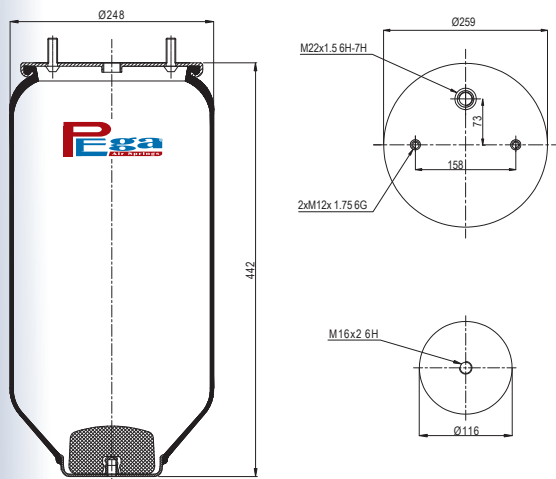
OE Part No

CONTITECH 4004 N P03
 FIRESTONE 1T17BS-6
 W01 M58 6366
 GOODYEAR 1R11-713
 1R11-750
 PHOENIX 1 DK 22 E-8
 VIBRACOUSTIC V1DK22E-8
 SPRINGRIDE D12B13
 SPRINGRIDE D12B34
 GART D278S 278.4.452
 CF GOMMA 1T300-37 203715
 PLASTIC PISTON

SAF HOLLAND 3 229 0007 00
 2618 V AR 416

6,6 KG.

P10.4004.S02



Cross References

OE Part No

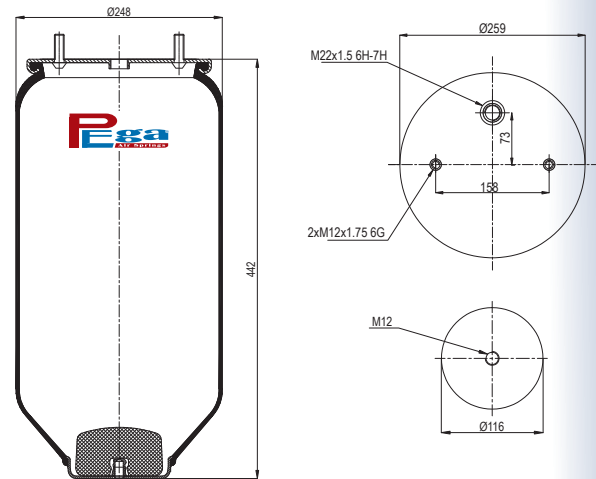
CONTITECH 4004 N P02
 FIRESTONE 1T17BS-6
 W01 M58 0919
 GOODYEAR 1R11-705
 SPRINGRIDE D12U13
 CF GOMMA 1T300-37
 GART D278S 278.4.451
 PHOENIX 1 DK 22 E-8 NP

SAF HOLLAND 4 284 3003 01
 2618 AR 416

SERVICE ASSEMBLY

5 KG.

P10.4004.S05



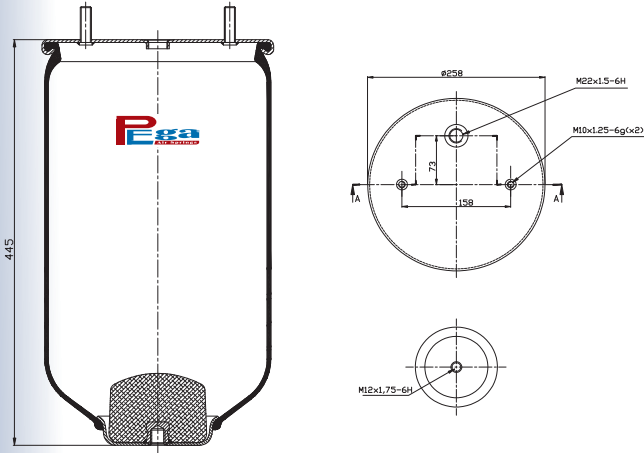
Cross References

OE Part No

SERVICE ASSEMBLY

4,9 KG.

P10.4004.SAU



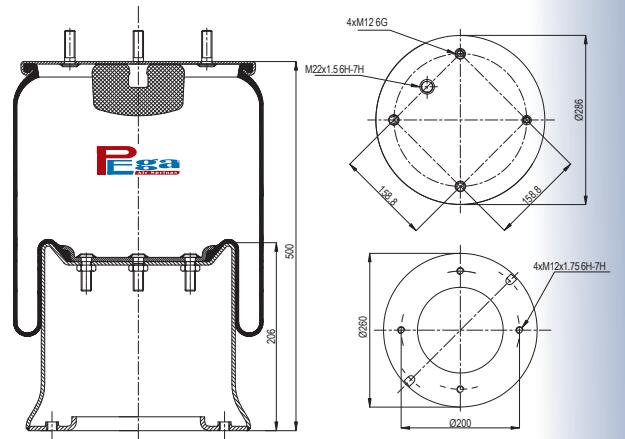
Cross References

OE Part No

SERVICE ASSEMBLY

4,3 KG.

P10.4008.C01



Cross References

OE Part No

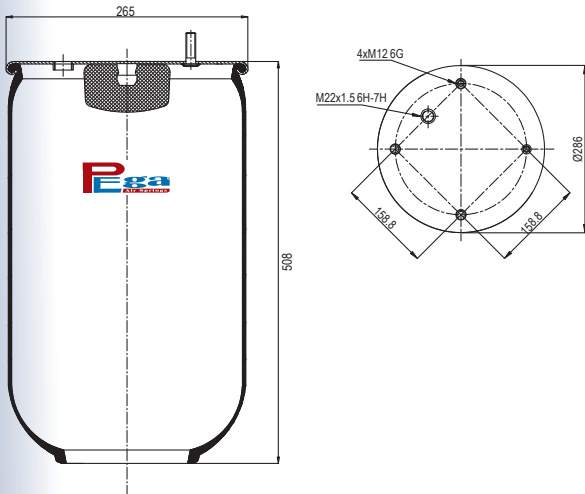
CONTITECH	4008 N P01
FIRESTONE	1T19F-12
	W01 M58 8765
DUNLOP FR	D13B03
PHOENIX	1 D 28 C-12
VIBRACOUSTIC	V 1 D 28 C-12

FRUEHAUF	UJB 0305
ROR / MERITOR	21221349
SAF	3.229.0024.00
WEWELER	US 07380F

METAL PISTON

12,3 KG.

P10.4008.S



Cross References

OE Part No

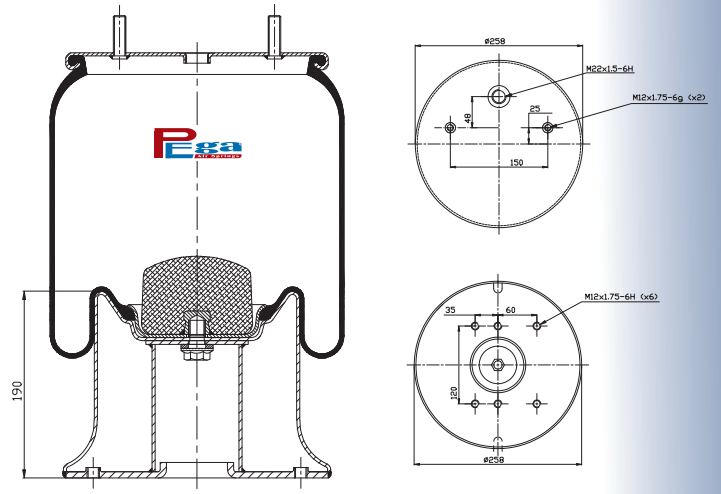
CONTITECH	4008 N
-----------	--------

FRUEHAUF	UJB 0305-001
ROR	2122 1349
WEWELER	US 07380F
SAF	3.229.0024.00

SERVICE ASSEMBLY

5,3 KG.

P10.4022.C02



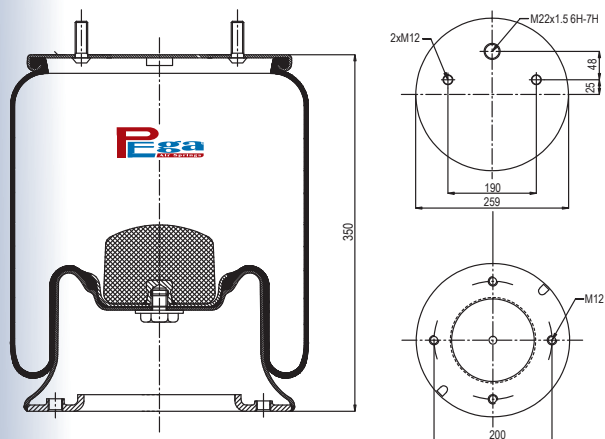
Cross References

OE Part No

METAL PISTON

10 KG.

P10.4022.C03

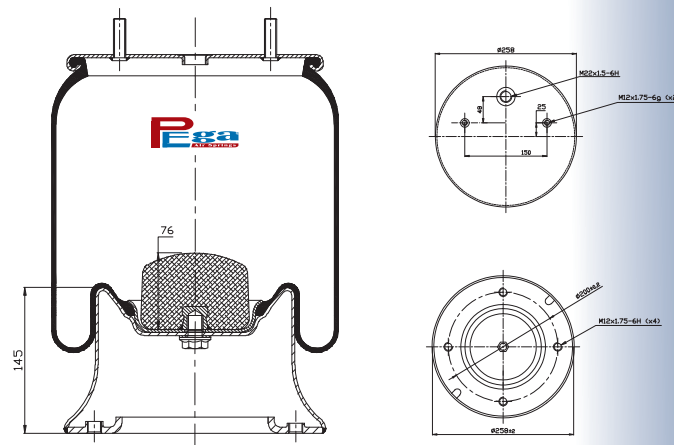


Cross References		OE Part No	
CONTITECH	D13B42	SAF	3.229.0029.00
DUNLOP	1T17B-11	SAF	3.229.2129.00
FIRESTONE	W01 M58 8747	SAF	3.229.2229.00
FIRESTONE	1R13-150	SAF	3.229.2429.00
GOOD YEAR		SAF	2618 V
PHOENIX			
CF GOMMA			

METAL PISTON

9,2 KG.

P10.4022.C33

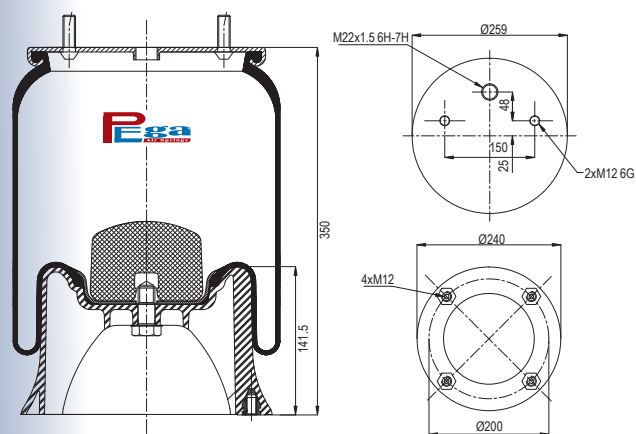


Cross References		OE Part No	

METALPISTON

9,2 KG.

P10.4022.CP02

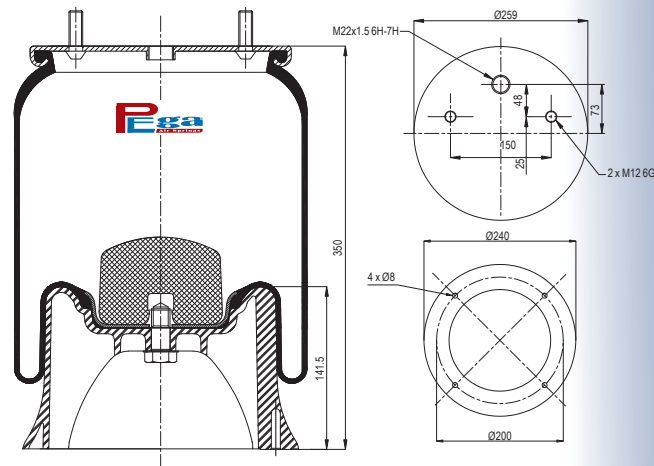


Cross References		OE Part No	

PLASTIC PISTON

6,6 KG.

P10.4022.CP03

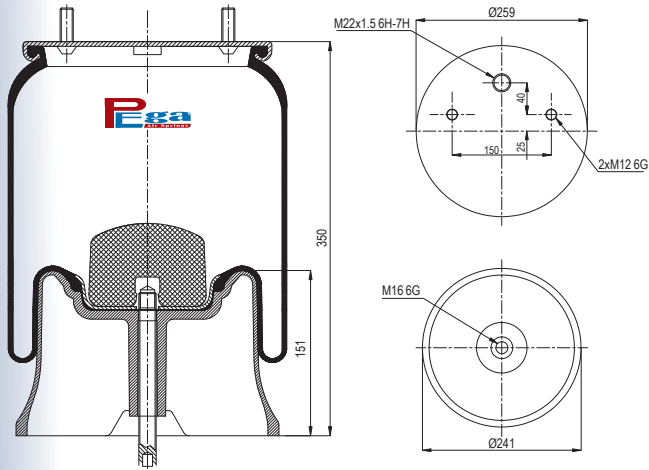


Cross References		OE Part No	
CONTITECH	4022 N P03	SAF HOLLAND 2618 V	3 229 0029 00
FIRESTONE	1T17BS-6	SAF HOLLAND 2618 V	3 229 2129 00
	W01 M58 6367	SAF HOLLAND 2618 V	3 229 2229 00
PHOENIX	1 DK 22 E-9	SAF HOLLAND 2618 V	3 229 2429 00
VIBRACOUSTIC	V1DK22E-9		
GOODYEAR	1R11-714		
SPRINGRIDE	D12B14		
CF GOMMA	1T300-37 206340		
GART	D278S 278.4.454		

PLASTIC PISTON

6,6 KG.

P10.4022.CP05

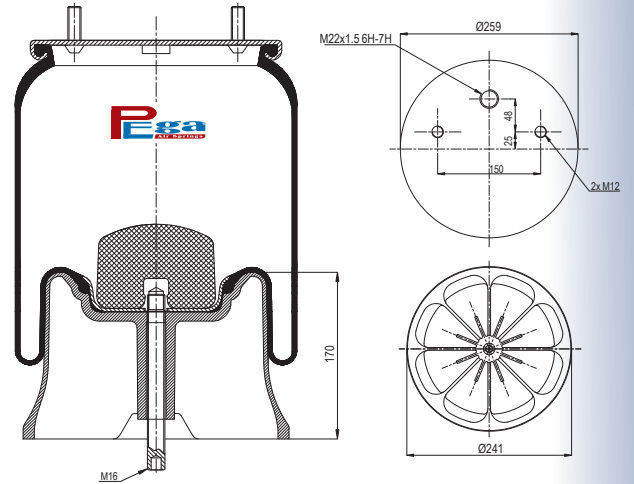


Cross References		OE Part No	
CONTITECH	4022 N P05	SAF HOLLAND	3 229 0033 00
FIRESTONE	1T17BS-6		2918 V P01
	W01 M58 8612		
PHOENIX	1 DK 22 E-11		
VIBRACOUSTIC	V 1 DK 22 E-10		
GOODYEAR	1R11-781		
CF GOMMA	1T300-37 206585		
GART	D278S 278.1.455		

PLASTIC PISTON

6,6 KG.

P10.4022.CP06

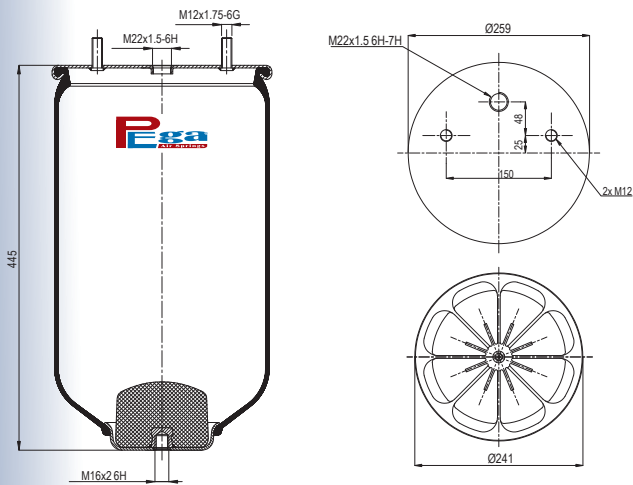


Cross References		OE Part No	
VIBRACOUSTIC	V 1 DK 22 E-13	SAF HOLLAND	3.229.0038.00
PHOENIX	1 DK 22 E-9 2621 V		2621 V

PLASTIC PISTON

7 KG.

P10.4022.S02

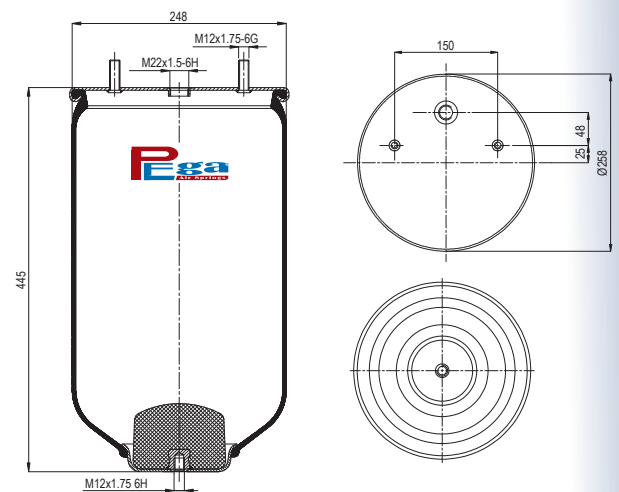


Cross References		OE Part No	
CONTITECH	4022 NP02	SAF HOLLAND	4 284 3006 00
FIRESTONE	1T17BS-6		2618 V P02
	W01 M58 0756		2619 V P02
GOODYEAR	1R11-709		
SPRINGRIDE	D11U40		
GART	D278S 278.0.452		
PHOENIX	1 DK 22 E-9 NP		
VIBRACOUSTIC	V1DK22E-9 NP		

SERVICE ASSEMBLY

4,8 KG.

P10.4022.S05

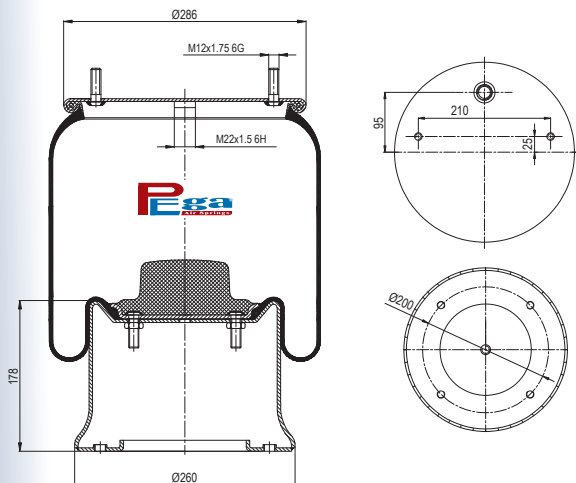


Cross References		OE Part No	

SERVICE ASSEMBLY

4,8 KG.

P10.4023.C03



Cross References

CONTITECH	4023 N P03
	1T19L-11
	W01-M58-6348
GOODYEAR	1R14-729
SPRINGRIDE	D13B26
CF GOMMA	1T19E-2 204676
GART	D277 277.4.505
PHOENIX	1 D 28 B-10
VIBRACOUSTIC	V 1 D 28 B-10

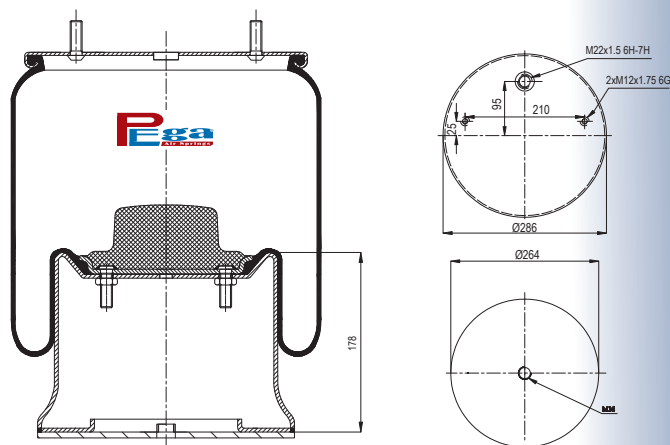
OE Part No

SAF HOLLAND 2923 V	3.229.0031.00
	2131.00
	2231.00
	2431.00

METAL PISTON

12 KG.

P10.4023.C08



Cross References

CONTITECH	4023 N P08
-----------	------------

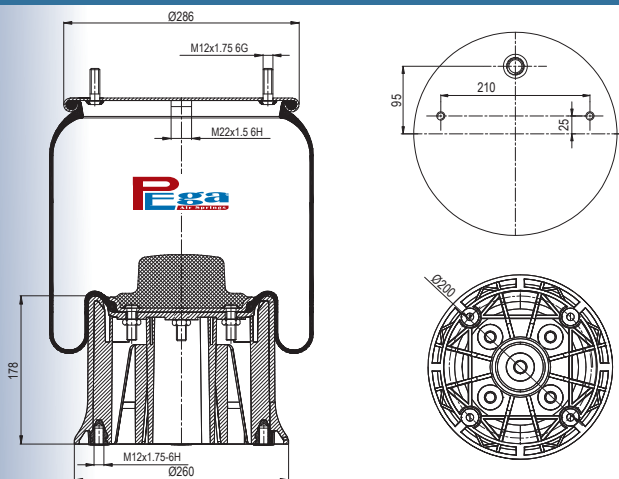
OE Part No

SAF HOLLAND	3 228 1031 00
-------------	---------------

METAL PISTON

17 KG.

P10.4023.CP03



Cross References

CONTITECH	4023 N P03
-----------	------------

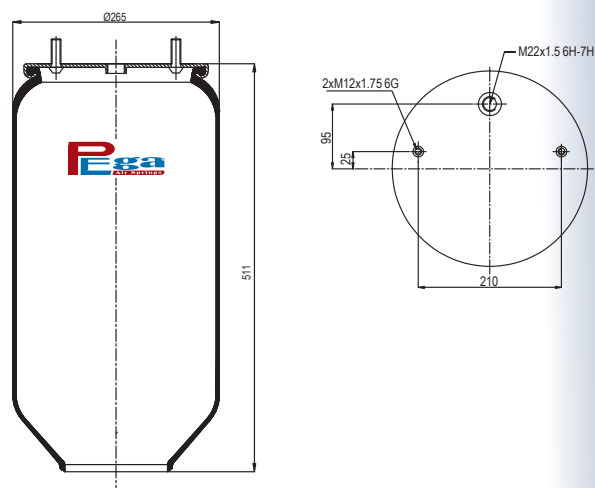
OE Part No

SAF HOLLAND	3.229.0031.00
SAF HOLLAND	3.229.2131.00
SAF HOLLAND	3.229.2231.00
SAF HOLLAND	3.229.2431.00

PLASTIC PISTON

7 KG.

P10.4023.S



Cross References

CONTITECH	4023 N P06
FIRESTONE	1T19L-11
	W01 M58 6335
PHOENIX	1D28 B-10 NP

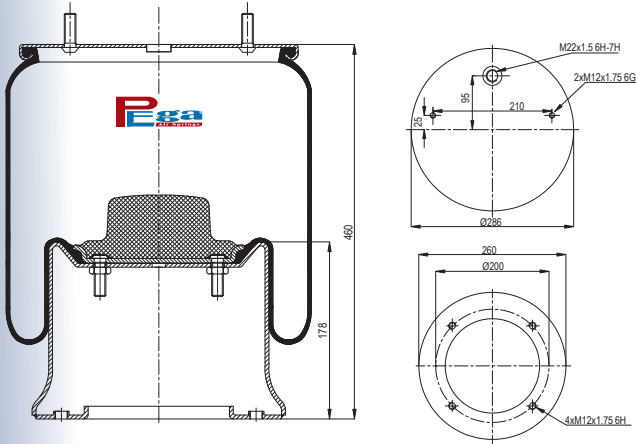
OE Part No

2923 V

SERVICE ASSEMBLY

4 KG.

P10.4028.C02



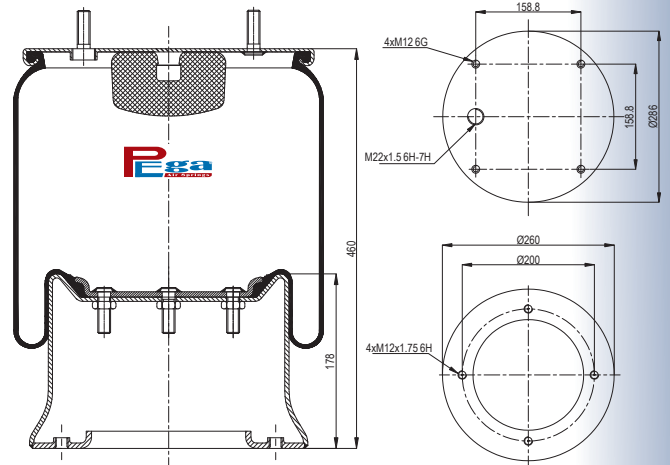
Cross References	
CONTITECH	4028 N P02
FIRESTONE	1T19L-12
	W01 M58 8106
GOODYEAR	1R14-782
SPRINGRIDE	D14B47
PHOENIX	1 D 28 F-1
VIBRACOUSTIC	V1D28F-1

OE Part No	
SCHMITZ	015 323
WEWELER	US 04028

METAL PISTON

12,5 KG.

P10.4028.C05



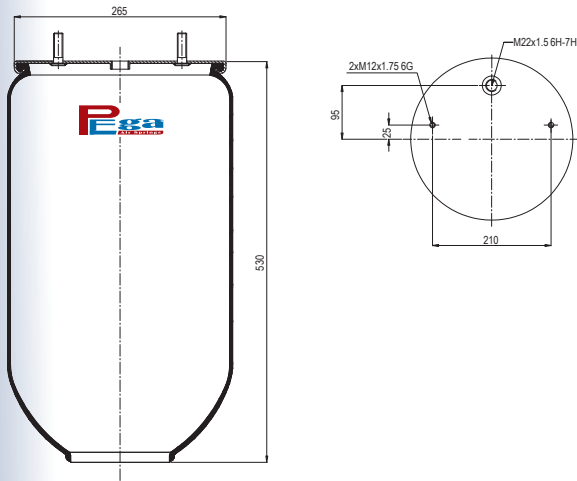
Cross References	
CONTITECH	4028 N P05
FIRESTONE	1T19L-11
	W01 M58 7370
PHOENIX	1 D 28 B-12
VIBRACOUSTIC	V1D28F-7
GOODYEAR	1R14-710
GOODYEAR	1R14-721
SPRINGRIDE	D14B51
GART REF.	D277D 277.4.520

OE Part No	
ROR	2122 2239

METAL PISTON

11,9 KG.

P10.4028.S



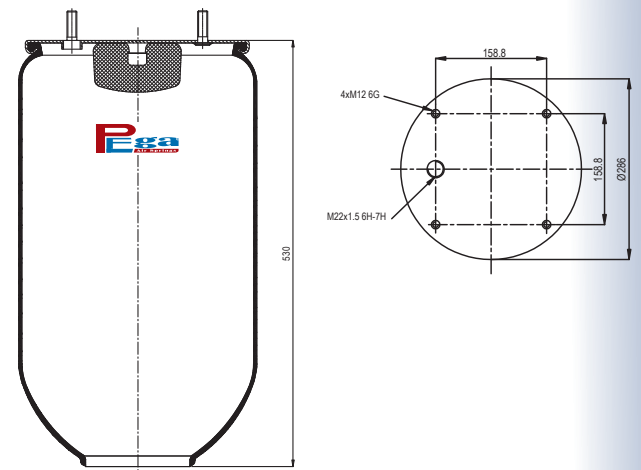
Cross References	
CONTITECH	4028 N

OE Part No	
SCHMITZ	015 323
WEWELER	US 04028

SERVICE ASSEMBLY

4,6 KG.

P10.4028.S1



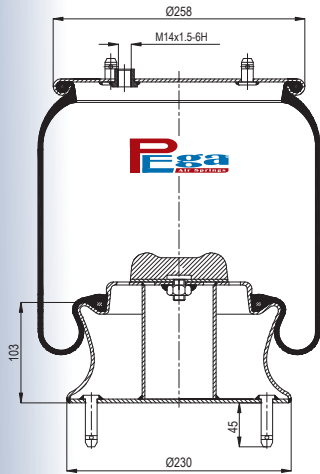
Cross References	
------------------	--

OE Part No	
------------	--

SERVICE ASSEMBLY

4,6 KG.

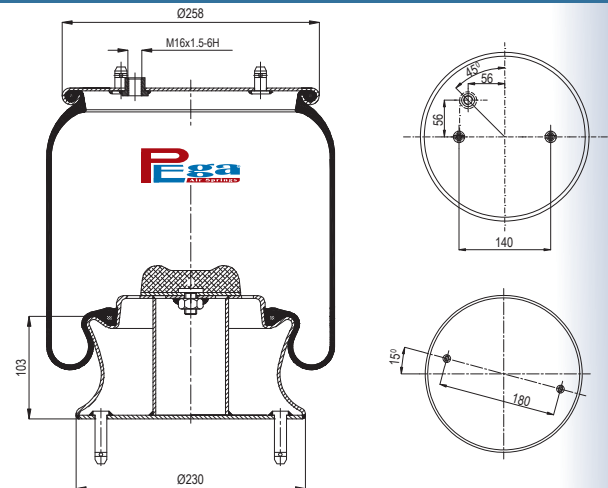
P10.40301.C02



Cross References		OE Part No	
FIRESTONE	1T15VR-3	SCANIA-S.BUSSAR	470920
	W01 S15 8192	SCANIA-S.BUSSAR	488265
GOODYEAR	1R13-746	SCANIA-S.BUSSAR	1440301
PHOENIX	1 DF 23 B-1		

METAL PISTON 15° ROTATED 7,9 KG.

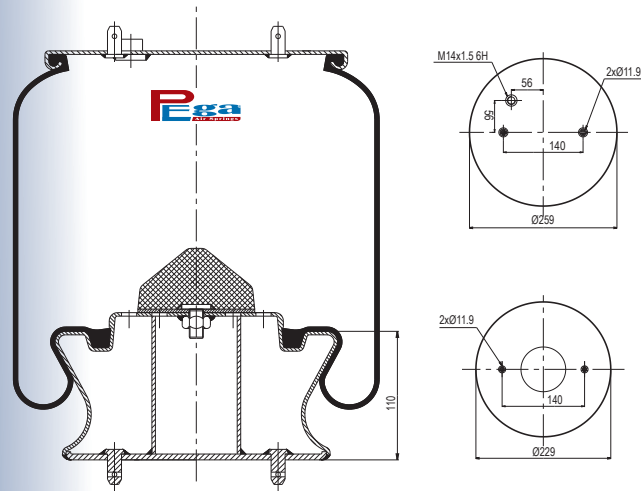
P10.40301.C03



Cross References		OE Part No	
GOODYEAR	1R13-750	SCANIA-S.BUSSAR	1726237

METAL PISTON 7,9 KG.

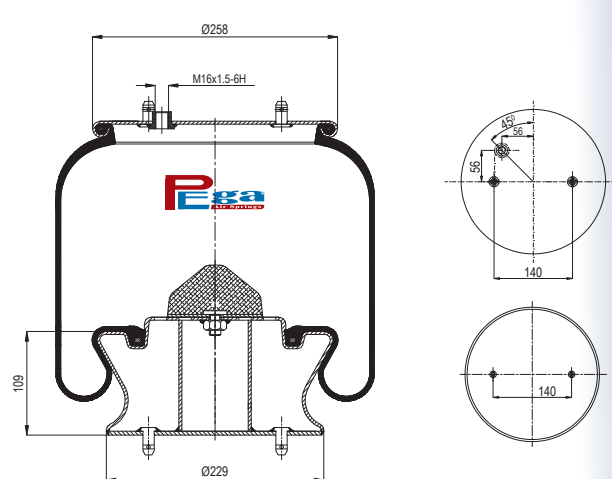
P10.40302.C



Cross References		OE Part No	
FIRESTONE	1T15VPR-3	SCANIA-S.BUSSAR	1440302
	W01 M58 8193	SCANIA-S.BUSSAR	470921
GOODYEAR	1R12-809		
PHOENIX	1 DF 23 A-1		

METAL PISTON 7,9 KG.

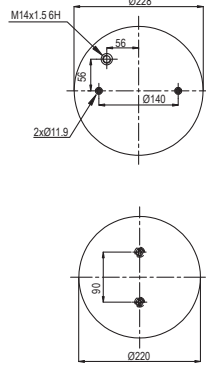
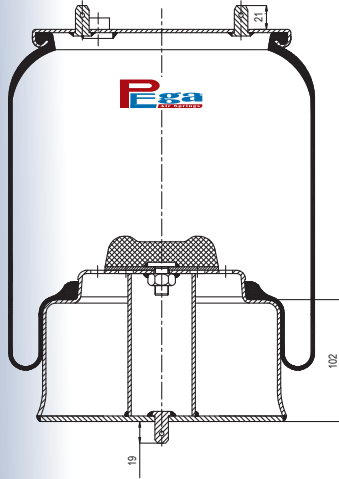
P10.40302.C01



Cross References		OE Part No	
GOODYEAR	1R12-813	SCANIA-S.BUSSAR	1726238

METAL PISTON 7,9 KG.

P10.40303.C



Cross References

GOODYEAR	1R11-833
PHOENIX	1 DF 20 C-1
FIRESTONE	1T15L-4
	W01 095 0422

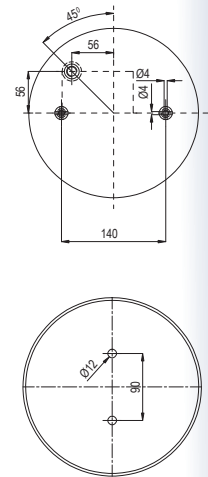
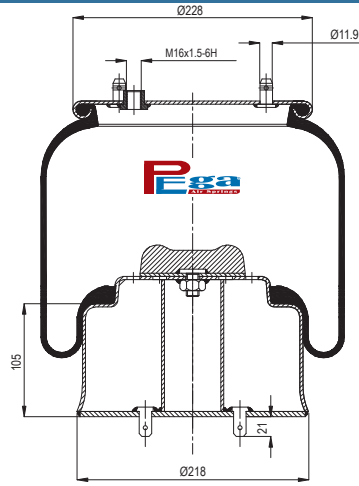
OE Part No

SCANIA-S.BUSSAR	1440303
SCANIA-S.BUSSAR	488263
SCANIA-S.BUSSAR	1475106
SCANIA-S.BUSSAR	1521114

METAL PISTON

7,9 KG.

P10.40303.C01



Cross References

GOODYEAR	1R11-837
----------	----------

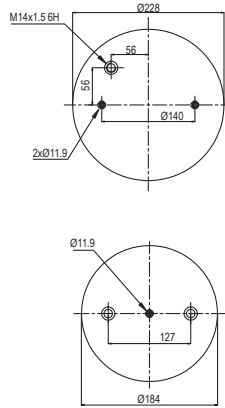
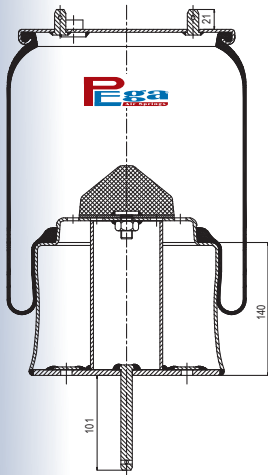
OE Part No

SCANIA-S.BUSSAR	1726239
-----------------	---------

METAL PISTON

7,9 KG.

P10.40304.C



Cross References

GOODYEAR	1R11-829
PHOENIX	1 DF 20 A-1

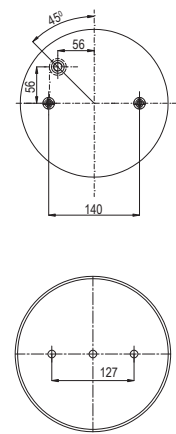
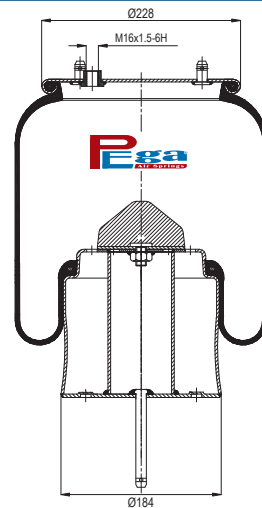
OE Part No

SCANIA-S.BUSSAR	1440304
SCANIA-S.BUSSAR	470922

METAL PISTON

7,9 KG.

P10.40304.C01



Cross References

GOODYEAR	1R11-834
----------	----------

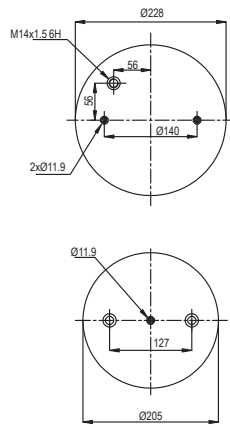
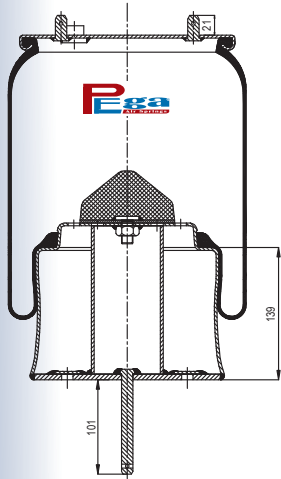
OE Part No

SCANIA-S.BUSSAR	1726240
-----------------	---------

METAL PISTON

7,9 KG.

P10.40305.C



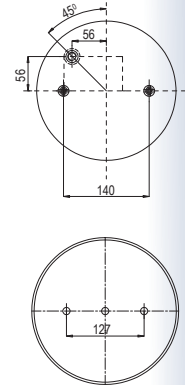
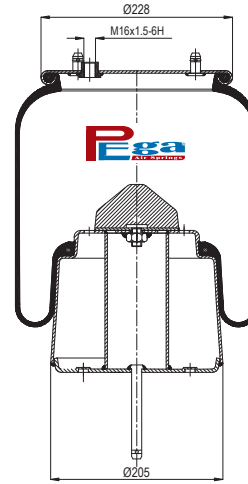
Cross References	
GOODYEAR	1R11-830
PHOENIX	1 DF 20 A-2
FIRESTONE	W01 095 481

OE Part No	
SCANIA-S.BUSSAR	1440305

METAL PISTON

7,9 KG.

P10.40305.C01



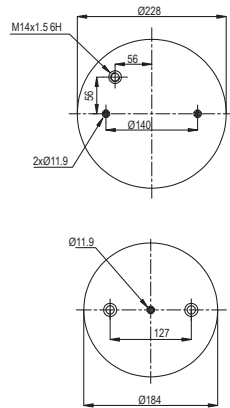
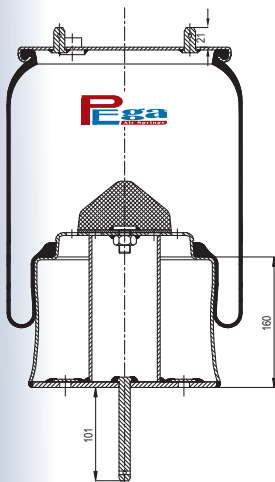
Cross References	
GOODYEAR	1R11-840

OE Part No	
SCANIA-S.BUSSAR	1726241

METAL PISTON

7,9 KG.

P10.40306.C



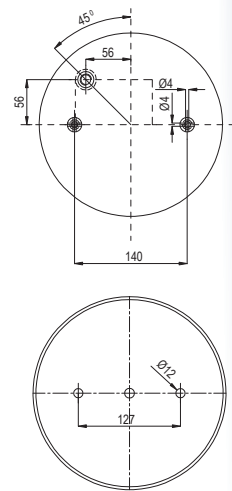
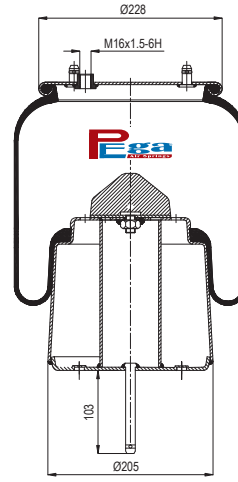
Cross References	
GOODYEAR	1R11-831
PHOENIX	1 DF 20 A-3

OE Part No	
SCANIA-S.BUSSAR	1440306

METAL PISTON

7,9 KG.

P10.40306.C01



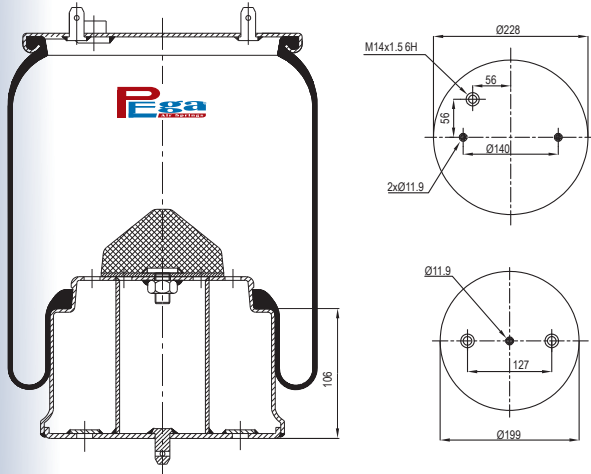
Cross References	
GOODYEAR	1R11-839

OE Part No	
SCANIA-S.BUSSAR	1726242

METAL PISTON

7,9 KG.

P10.40307.C

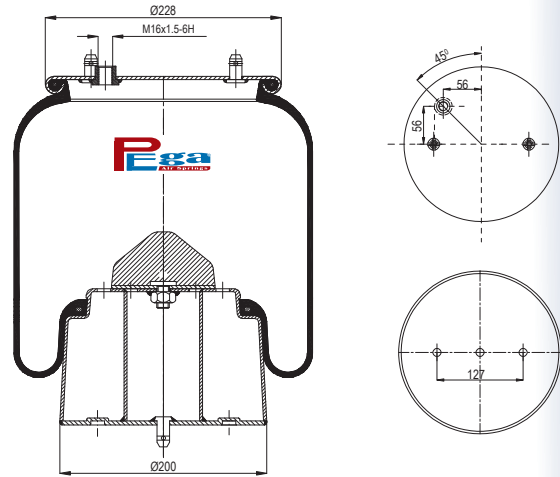


Cross References		OE Part No	
GOODYEAR	1R11-845	SCANIA-S.BUSSAR	1440307
PHOENIX	1 DF 23 B-2	SCANIA-S.BUSSAR	1440860
FIRESTONE	1T15L-4(3)	SCANIA-S.BUSSAR	475149
	W01-095-0405	SCANIA-S.BUSSAR	470919

METAL PISTON

7,9 KG.

P10.40307.C01

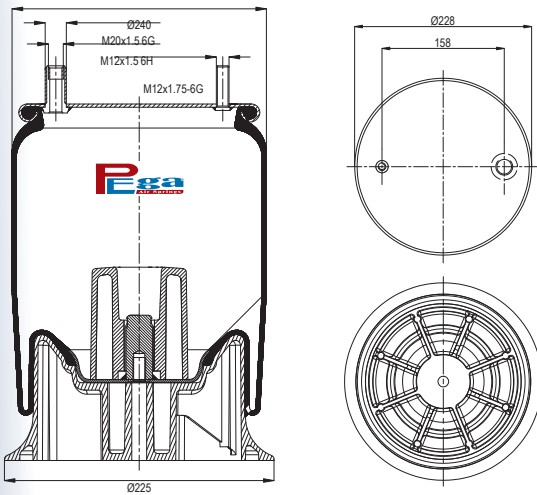


Cross References		OE Part No	
GOODYEAR	1R11-841	SCANIA-S.BUSSAR	1726246

METAL PISTON

7,9 KG.

P10.4120.CP

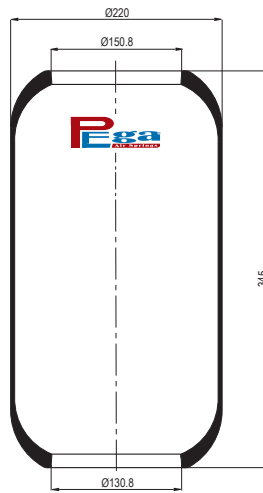


Cross References		OE Part No	
VIBRACOUSTIC	V1 DK20C-2	FRUEHAUF	M078580

PLASTIC PISTON

5,5 KG.

P10.415.R25



Cross References		OE Part No	
CONTITECH	RZ 415-25	VOLVO	3 027 271
FIRESTONE	1R5P 345 290		
	W01 095 0381		
GOODYEAR	9004		
VIBRACOUSTIC	V2G20		
PHOENIX	2 G 20		
SPRINGRIDE	D12S08		
CF GOMMA	1S 280-25 203001		

ROLL

1,7 KG.

P10.415.R28



Cross References

CONTITECH	RZ 415-28
FIRESTONE	W01 095 0382
GOODYEAR	9005
SPRINGRIDE	D12S09
CF GOMMA	1S 280-28 203000
VIBRACOUSTIC	V2G20A
PHOENIX	1 G 20 A

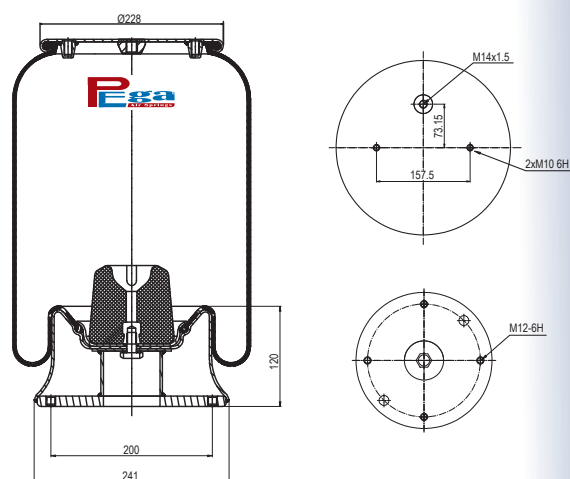
OE Part No

VOLVO	3 027 272
-------	-----------

ROLL

1,9 KG.

P10.4154.C



Cross References

CONTITECH	4154 N P05
FIRESTONE	1T15M-4
	W01 M58 7283

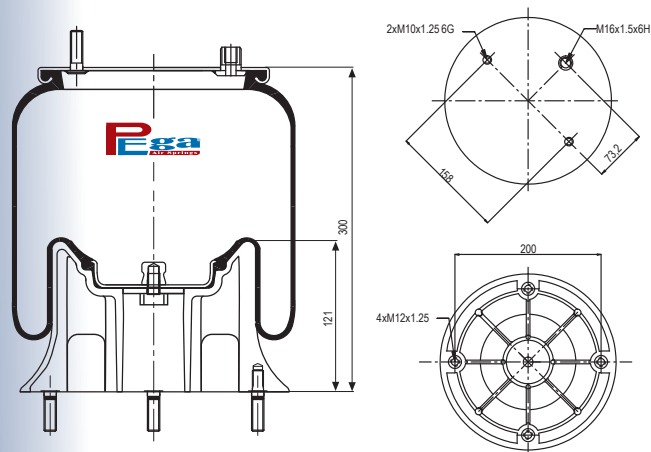
OE Part No

RENAULT	5010 294 252
SCANIA	132.051

ROLL

1,9 KG.

P10.4154.CP05



Cross References

CONTITECH	4154 N P05
FIRESTONE	1T15M-3
	W01 M58 8172
PHOENIX	1 DK 23 F-1
VIBRACOUSTIC	V1DK23F-1
GOODYEAR	1R12-069

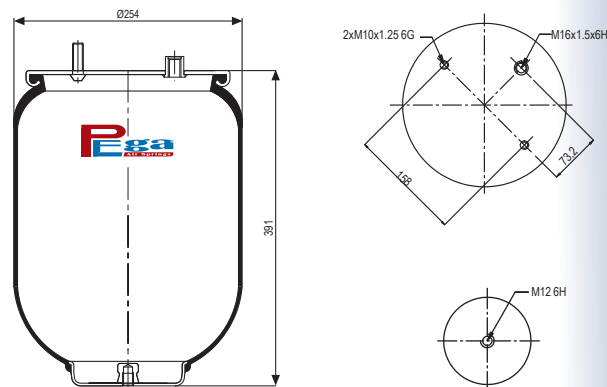
OE Part No

RENAULT	5010 239 252
RENAULT	5010 488 071

COMPOSITE PISTON

5,2 KG.

P10.4154.S1



Cross References

--	--

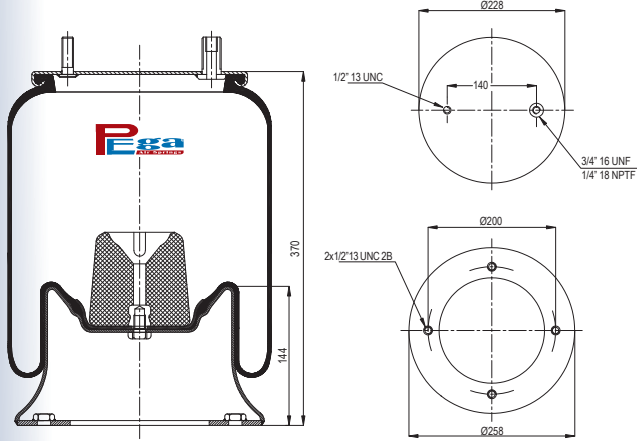
OE Part No

--	--

SERVICE ASSEMBLY

3 KG.

P10.4156.C04



Cross References

CONTITECH	4156 N P04
GOODYEAR	1R12-092
TAURUS	KR 506-22SU
DUNLOP	D12B33

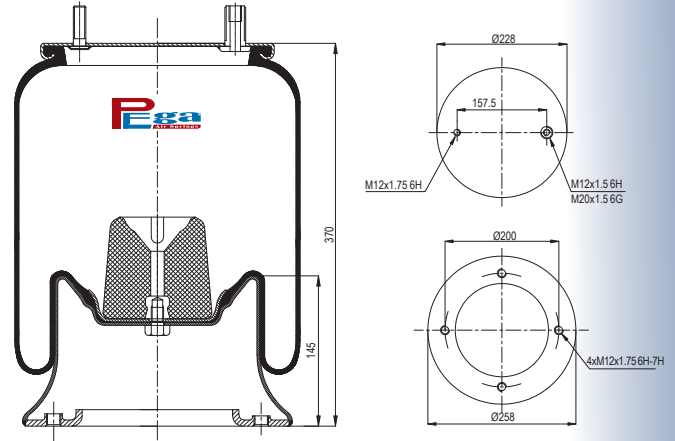
OE Part No

ROR	212 08939
NEWAY	905 57027
NEWAY	905 57075
GRANNING	1359
GRANNING	1528

METAL PISTON

8,8 KG.

P10.4156.C06



Cross References

CONTITECH	4156 N P06
GOODYEAR	1R12-719
PHOENIX	1 DK 21 A-2
TAURUS	KR 506-28
DUNLOP	D12B19

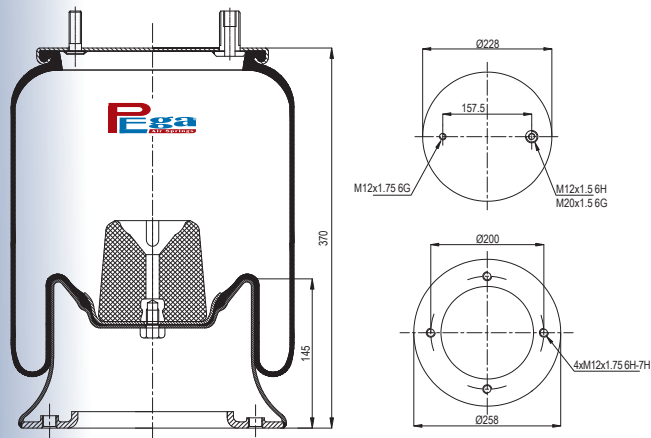
OE Part No

ROR	2121 5761
ROR	2121 6135
WEWELER	US 35864
NEWAY	905 570 75

METAL PISTON

8,8 KG.

P10.4156.C07



Cross References

CONTITECH	4156 N P07
-----------	------------

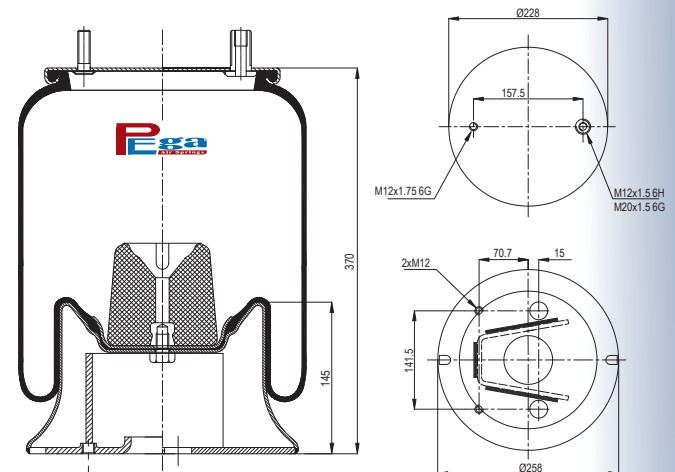
OE Part No

SMB	/.
-----	----

METAL PISTON

8,8 KG.

P10.4156.C09



Cross References

CONTITECH	4156 N P09
FIRESTONE	1T15M-6
	W01 M58 9089
GOODYEAR	1R12-706
DUNLOP	D12B16

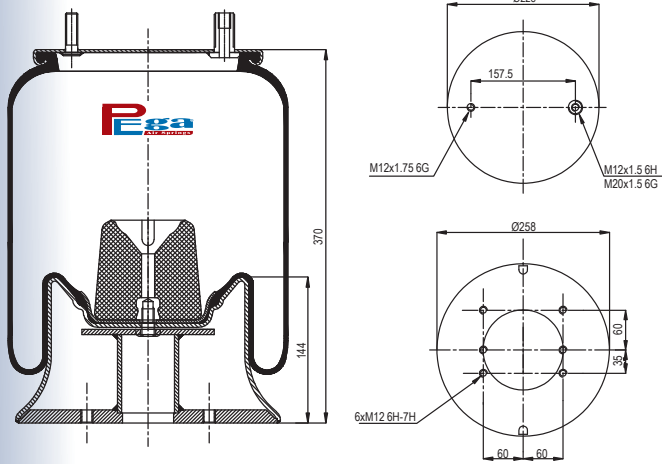
OE Part No

BERTOJA	454 02004
FRUEHAUF	UJB 0207-001
SMB	M00 1472

METAL PISTON

11,2 KG.

P10.4156.C11



Cross References

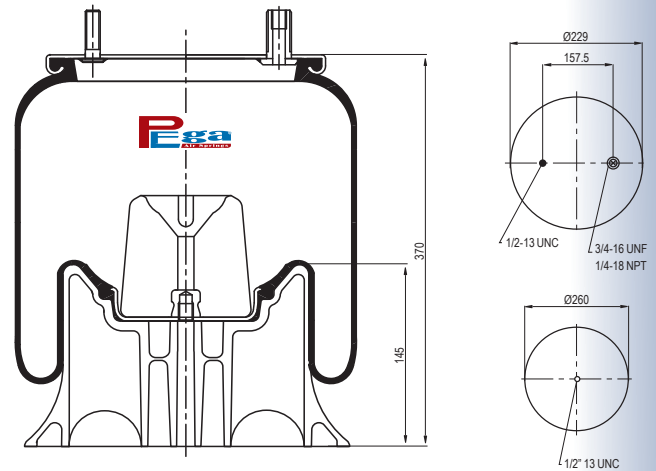
CONTITECH 4156 N P11

OE Part No

METAL PISTON

10 KG.

P10.4156.CP10



Cross References

CONTITECH 4156 N P10
 FIRESTONE 1T15M-6
 W01 358 8929
 GOODYEAR 1R12-461

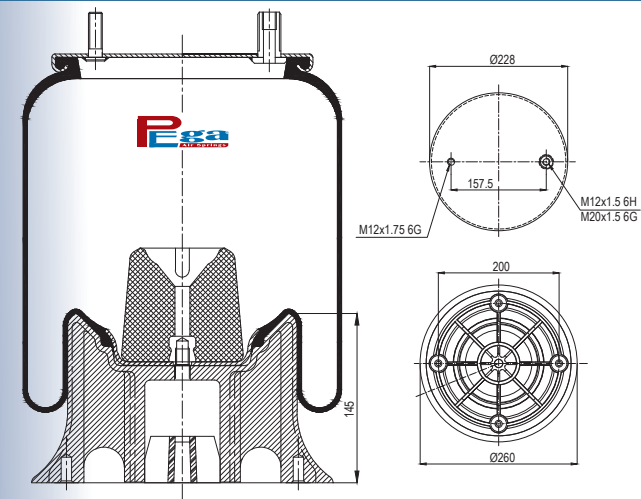
OE Part No

HENDRICKSON HA 100016

PLASTIC PISTON

6,6 KG.

P10.4156.CP11



Cross References

FIRESTONE 1T15M-6
 W01 M58 9296

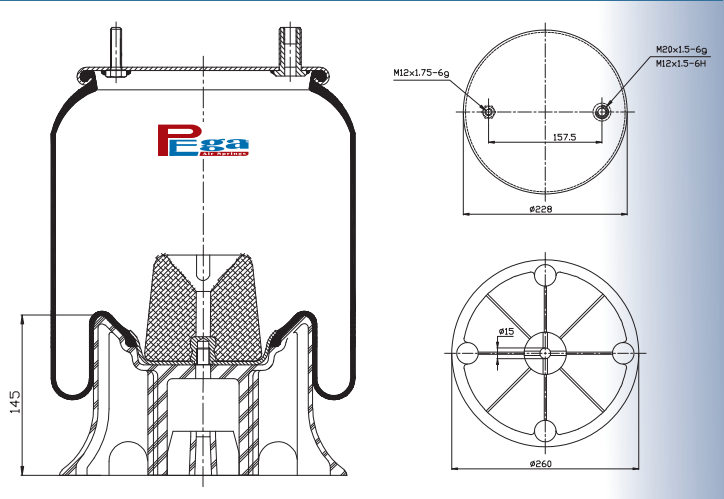
OE Part No

HENDRICKSON HS 250009

PLASTIC PISTON

6,6 KG.

P10.4156.CP12



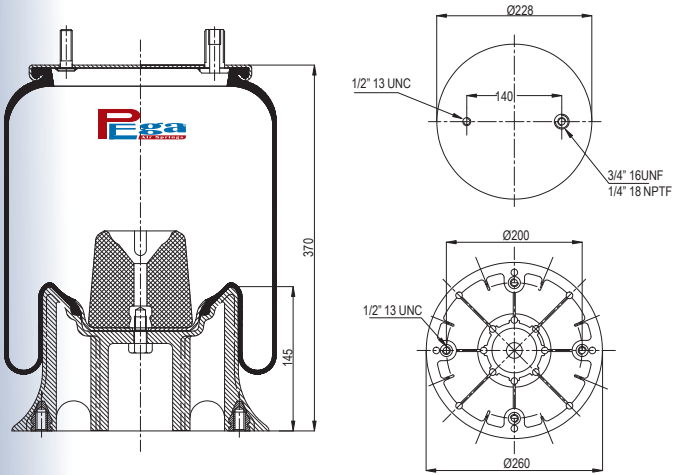
Cross References

OE Part No

PLASTIC PISTON

6,6 KG.

P10.4156.CP14



Cross References

CF GOMMA	1 T 323-32
CONTITECH	4156 N P14
DUNLOP	D12B33
GOOD YEAR	1R12-716
PHOENIX	1 DK 23 K-9082

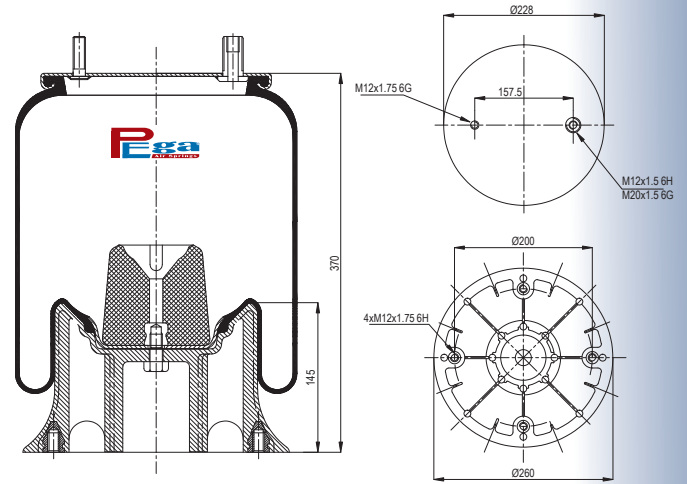
OE Part No

HENDRICKSON	B 2066
NEWAY	905 570 27
NEWAY	905 570 75
ROR	2120 8939
WEWELER	US 09361F

PLASTIC PISTON

6,6 KG.

P10.4156.CP15



Cross References

CONTITECH	4156 N P15
FIRESTONE	1T15M-6
	W01 358 9361
GOODYEAR	1R12-716
PHOENIX	1DK21A-2
TAURUS	KR 506-28
SPRINGRIDE	D12B19

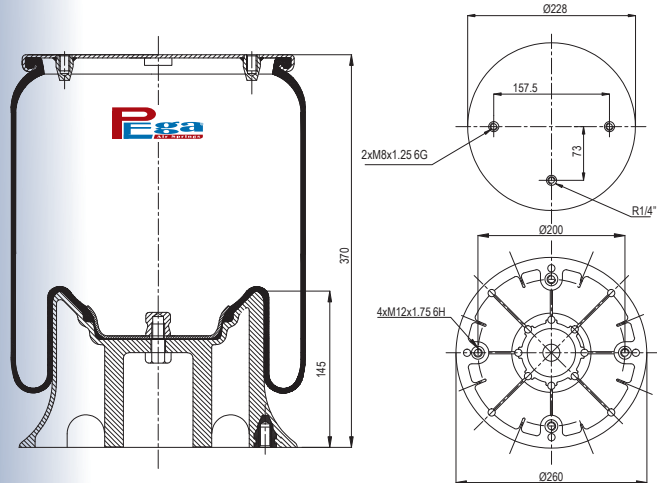
OE Part No

FRUEHAUF	M00 1472
HENDRICKSON	HA 100001
ROR	2121 5761
SMB	UJB 0207
WEWELER	US 35864 F

PLASTIC PISTON

6,6 KG.

P10.4156.CP16



Cross References

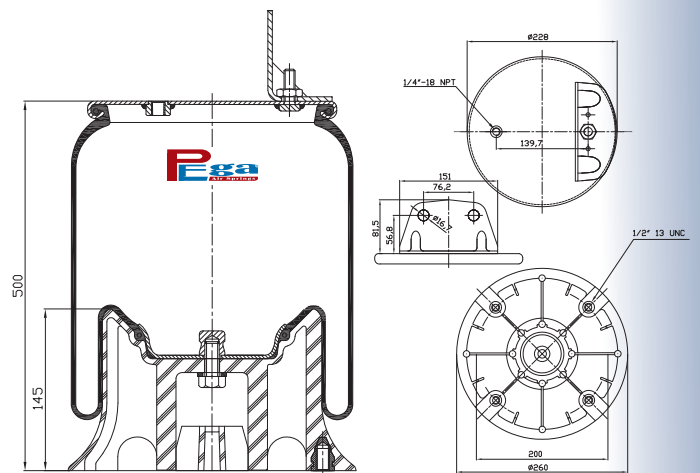
CONTITECH	4156 N P16
-----------	------------

OE Part No

PLASTIC PISTON

7 KG.

P10.4156.CP24



Cross References

--	--

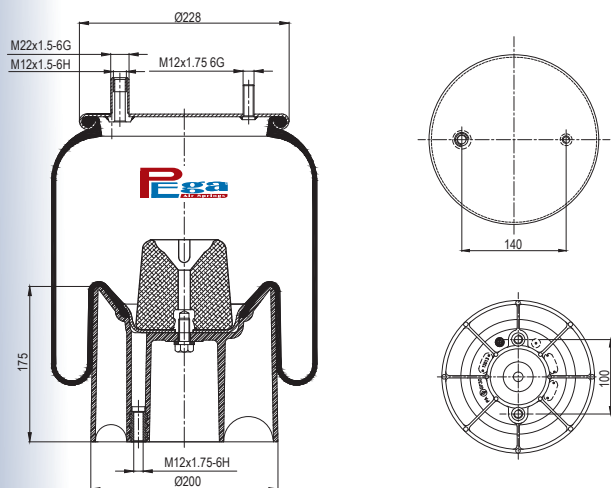
OE Part No

--	--

PLASTIC PISTON

7,5 KG.

P10.4156.CP30



Cross References

FIRESTONE W01 M58 6269

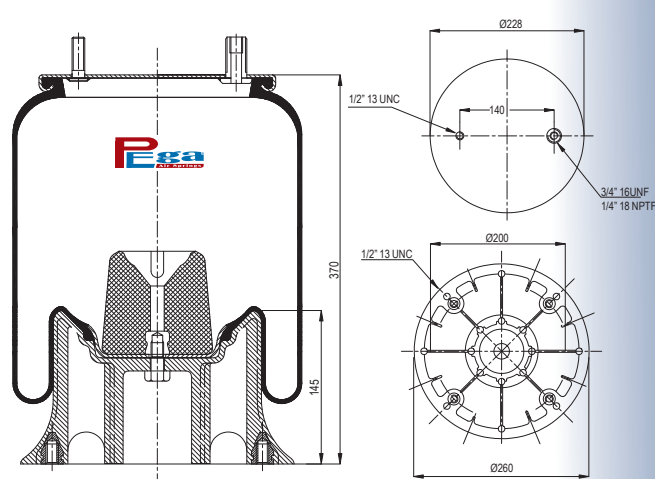
OE Part No

HENDRICKSON 550552

PLASTIC PISTON

6,4 KG.

P10.4156.CP41



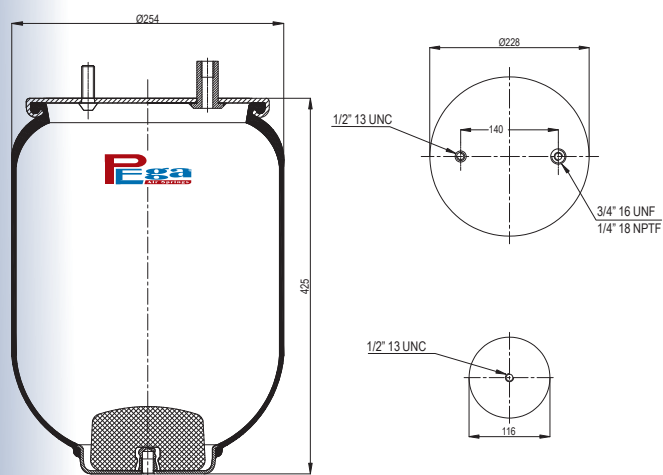
Cross References

PLASTIC PISTON

OE Part No

6,4 KG.

P10.4156.S01



Cross References

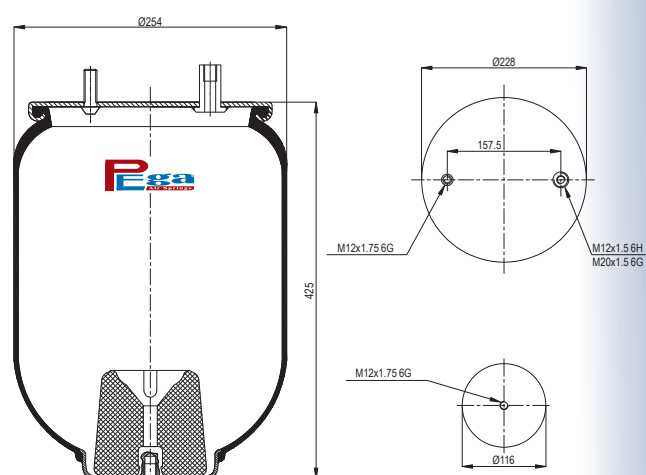
CONTITECH 4156 N P01

OE Part No

SERVICE ASSEMBLY

4,5 KG.

P10.4156.S05



Cross References

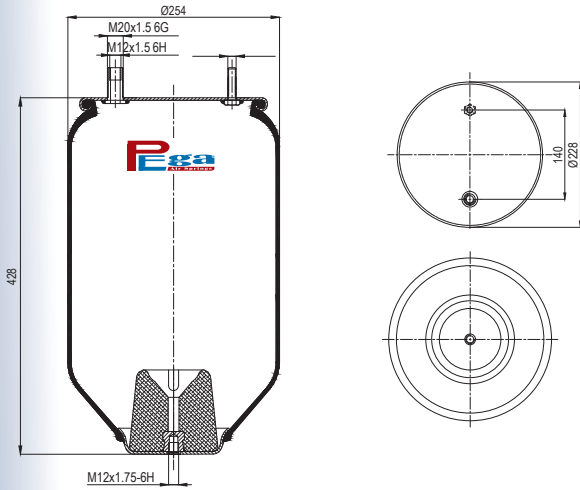
CONTITECH 4156 N P05

OE Part No

SERVICE ASSEMBLY

4,5 KG.

P10.4156.S06



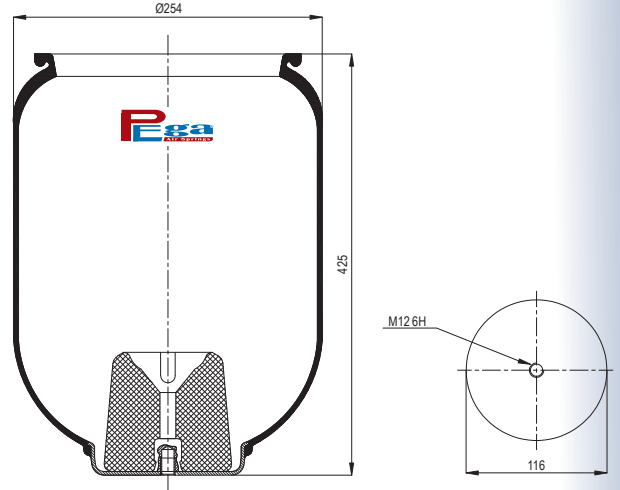
Cross References

OE Part No

SERVICE ASSEMBLY

4,5 KG.

P10.4156.S12



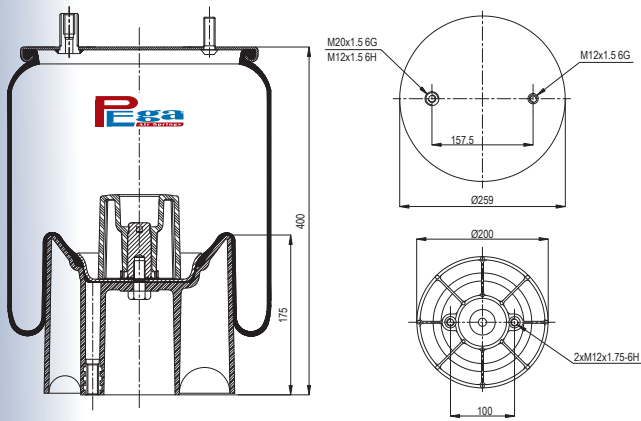
Cross References

OE Part No

SERVICE ASSEMBLY

3,5 KG.

P10.4157.CP03



Cross References

OE Part No

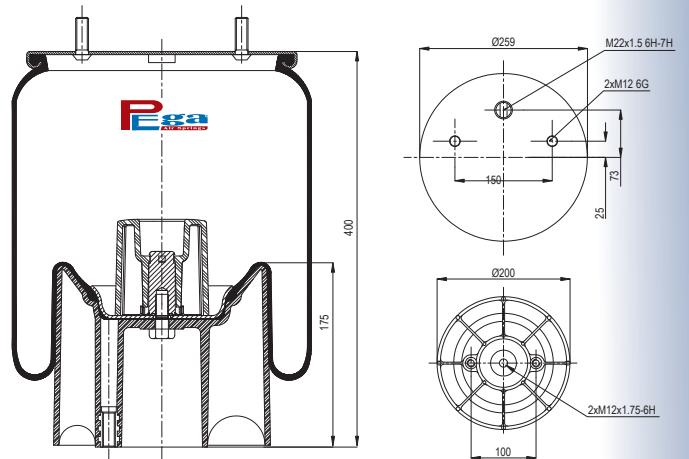
CONTITECH	4157 N P03
-----------	------------

FRUEHAUF	M078 580
NEWAY	905 572 33
ROR	2122 1307
SMB	M078 580

PLASTIC PISTON

6,6 KG.

P10.4157.CP04



Cross References

OE Part No

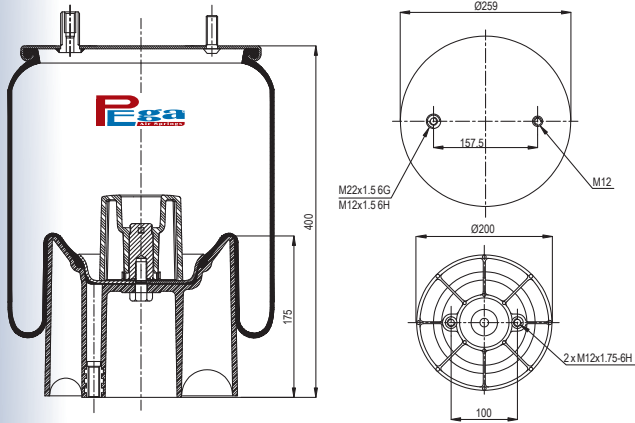
CONTITECH	4157 N P04
FIRESTONE	1T15MPW-7
	W01 M58 6297
DUNLOP	D12B18
GOODYEAR	1R11-111
TAURUS	KR 915-54
PHOENIX	1 DK 21 A-4
	1 DK 21 A-8

DAIMLER TAS	A 946 328 1401
ROR	2122 1307
WEWELER	US 06287
WEWELER	US 07364

PLASTIC PISTON

6,6 KG.

P10.4157.CP05



Cross References

CONTITECH	4157 N P05
-----------	------------

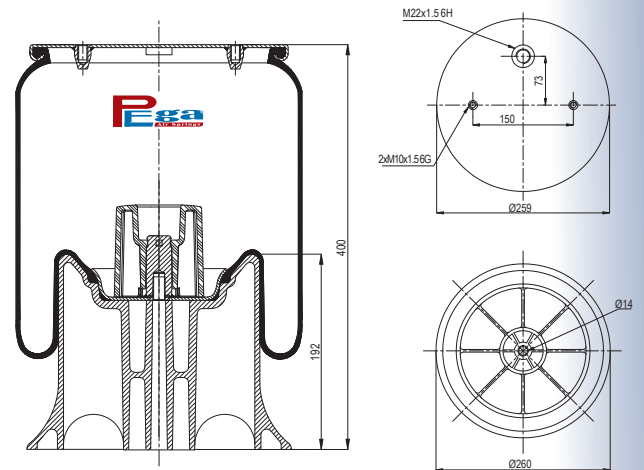
OE Part No

WEWELER	US 07074 C
WEWELER	US 07074 P
ROR	2122 2442

PLASTIC PISTON

6,6 KG.

P10.4157.CP06



Cross References

CONTITECH	4157 N P06
FIRESTONE	1T15MPW-7
	W01 M58 8186
PHOENIX	1 DK 20 A-1
GOODYEAR	1R11-764
DUNLOP	D11B37

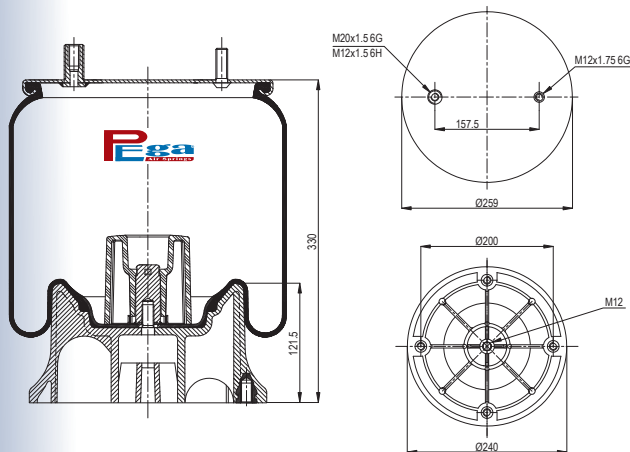
OE Part No

SCHMITZ	751 065
WEWELER	US 06316

PLASTIC PISTON

6,6 KG.

P10.4157.CP08



Cross References

CONTITECH	4157 N P08
DUNLOP	D12B30
GOODYEAR	1R11-773
FIRESTONE	1T15MPW-7
	W01.M58 6317
PHOENIX	1 DK 20 C-2

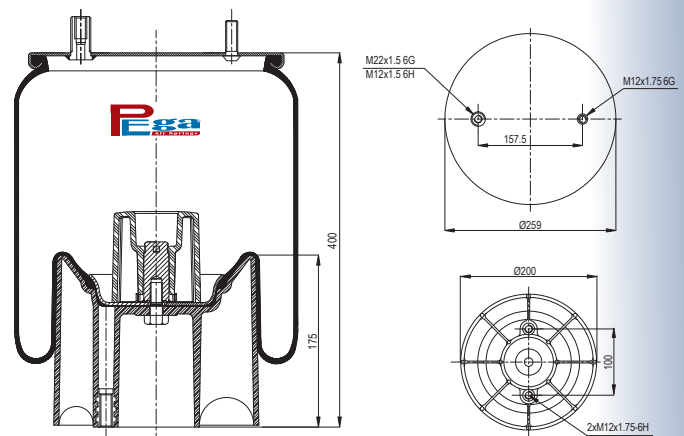
OE Part No

NEWAY	905 572 33
SAMRO	H 2501869
SMB	M 078580

PLASTIC PISTON

6,6 KG.

P10.4157.CP09



Cross References

CONTITECH	4157 N P09
FIRESTONE	1T15MPW-7
	W01 M58 7074
DUNLOP	D12B17
GOODYEAR	1R11-106
PHOENIX	1 DK 21 A-31
TAURUS	KR 913-57
CF GOMMA	1 T 300-38 205598

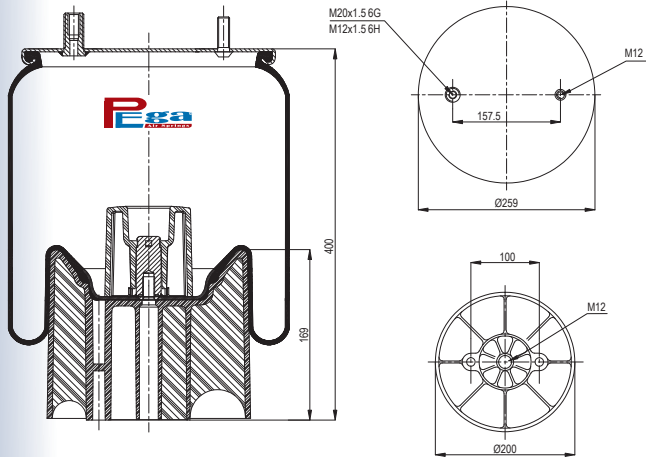
OE Part No

ROR	946 328 04 01
WEWELER	HS 251087

PLASTIC PISTON

6,6 KG.

P10.4157.CP10



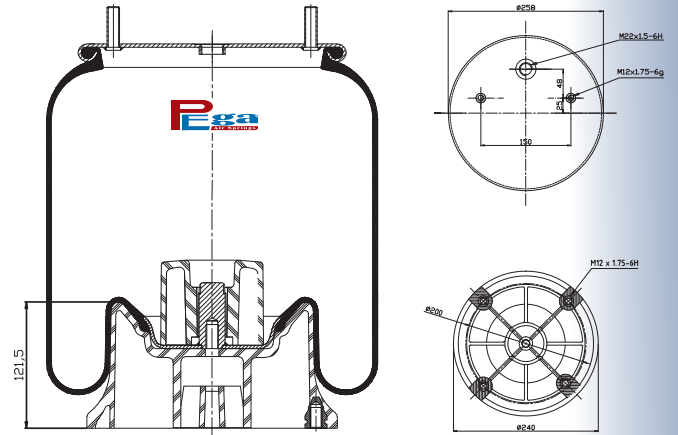
Cross References	
CONTITECH	4157 N P10
FIRESTONE	1T15MPW-7
	W01 M58 6315
DUNLOP	D12B29
GOODYEAR	1R11-772
PHOENIX	1 DK 20 A-51
TAURUS	KR 915-51

OE Part No	
ACERBI	128140028
ACERBI	800449526
FRUEHAUF	UJB 0975
SMB	M060924

PLASTIC PISTON

6,6 KG.

P10.4157.CP18



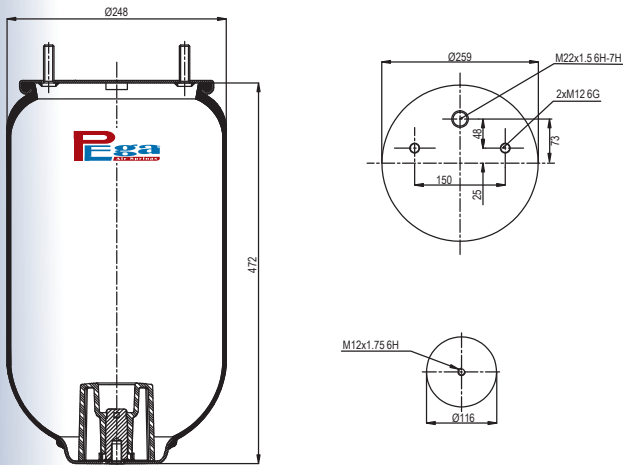
Cross References

OE Part No

PLASTIC PISTON

6,6 KG.

P10.4157.S



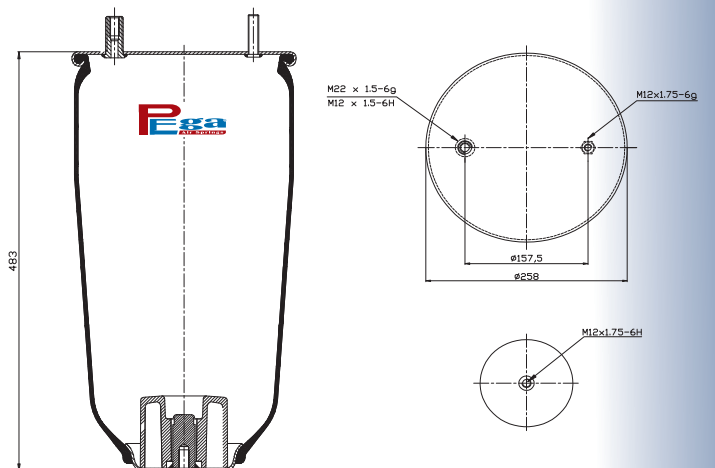
Cross References

OE Part No

SERVICE ASSEMBLY

4,6 KG.

P10.4157.S02



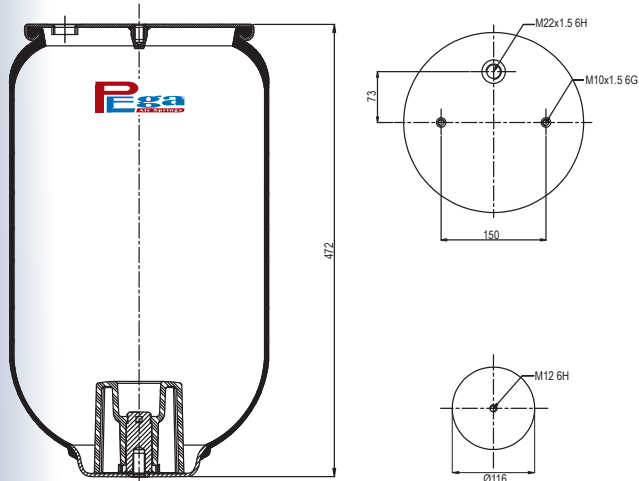
Cross References

OE Part No

SERVICE ASSEMBLY

4,6 KG.

P10.4157.S06



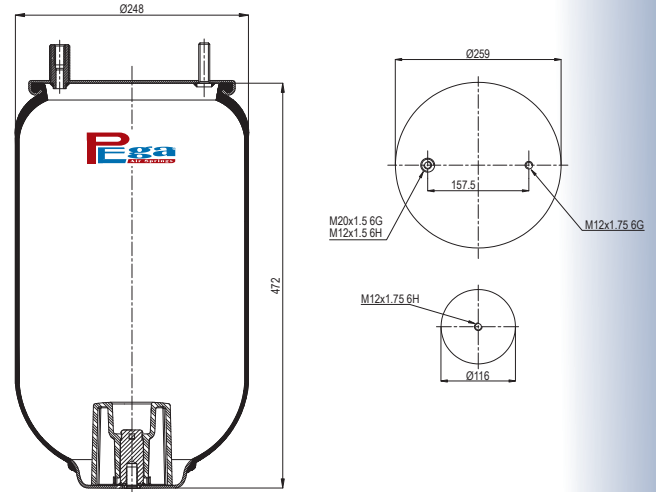
Cross References

OE Part No

SERVICE ASSEMBLY

4,6 KG.

P10.4157.S1



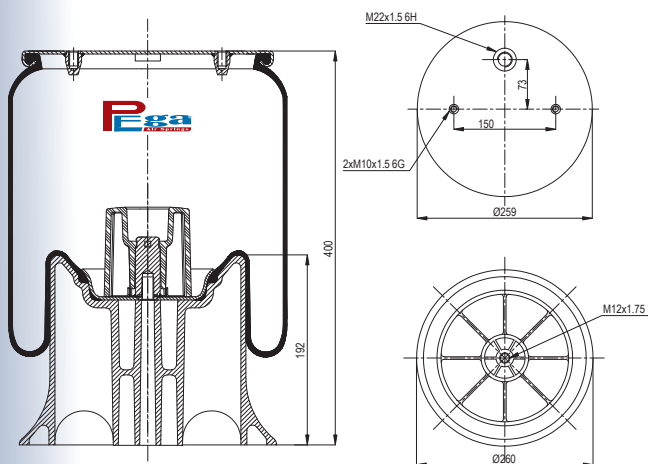
Cross References

OE Part No

SERVICE ASSEMBLY

4,6 KG.

P10.4158.CP03



Cross References

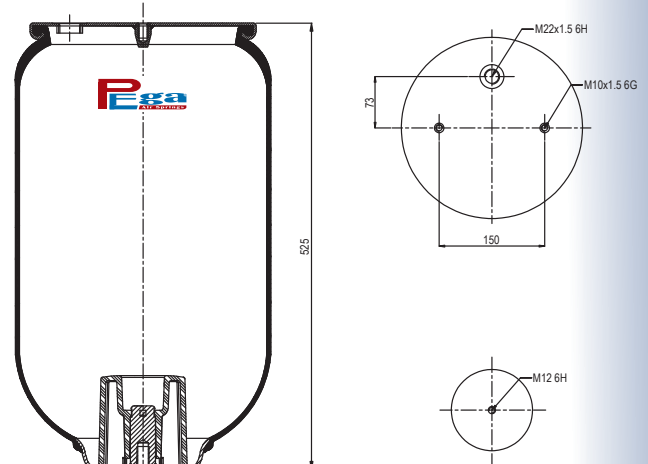
OE Part No

CONTITECH	4158 N P03	SCHMITZ	014 892
FIRESTONE	1T15MPW-9	SCHMITZ	750 999
	W01 M58 8185	WEWELER	US 06285
DUNLOP	D12B22		
GOODYEAR	1R12-749		
PHOENIX	1 DK 20 B-1		

PLASTIC PISTON

6,7 KG.

P10.4158.S02



Cross References

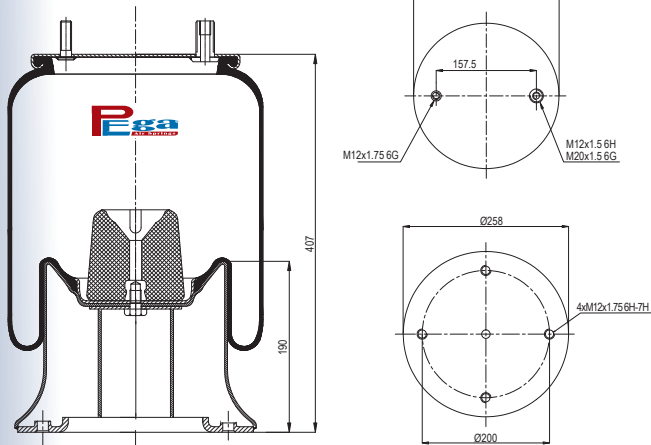
OE Part No

CONTITECH	4158 N P02	SCHMITZ	750 999
FIRESTONE	1T15MPW-9	WEWELER	US 06285
	W01 M58 6257	WEWELER	US 06287
GOODYEAR	1R12-748		
DUNLOP	D12B23		
PHOENIX	1 DK 20 B-1 NP		

SERVICE ASSEMBLY

4,6 KG.

P10.4159.C03



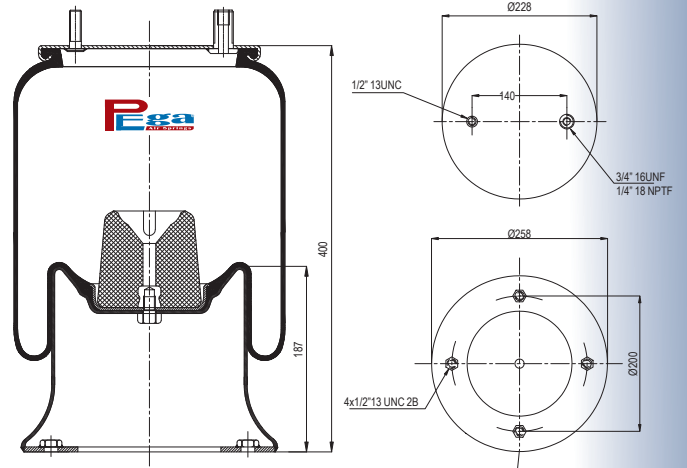
Cross References	
CONTITECH	4159 N P03
FIRESTONE	1T15M-9
	W01 M58 8859
DUNLOP	D12B01
PHOENIX	1 DK 21 B-4
CF GOMMA	1 T 323-40

OE Part No	
FRUEHAUF	UJA 0894
FRUEHAUF	UJB 0203

METAL PISTON

9,6 KG.

P10.4159.C04



Cross References	
CONTITECH	4159 N P04

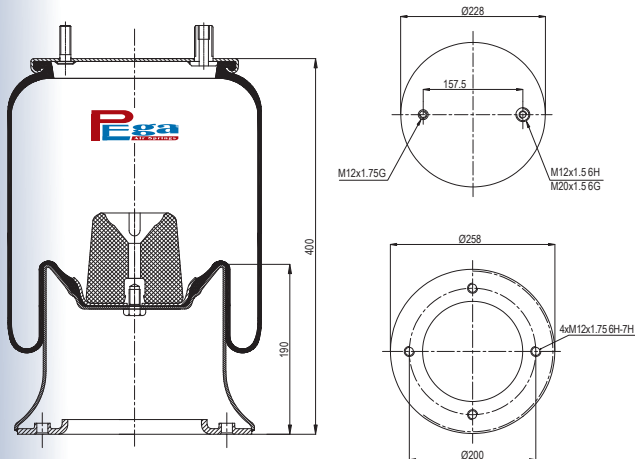
OE Part No	
NEWAY	905 570 09

METAL PISTON

REPLACED BY P10.4159.CP12

9,6 KG.

P10.4159.C06



Cross References	
CONTITECH	4159 N P06

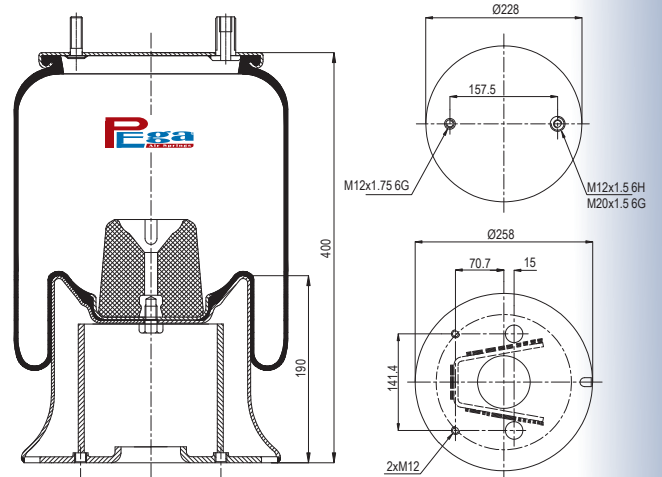
OE Part No	
NEWAY	M 00557007
FRUEHAUF	UJA 0894-001
ROR	2121 5891

METAL PISTON

REPLACED BY P10.4159.CP14

11 KG.

P10.4159.C07



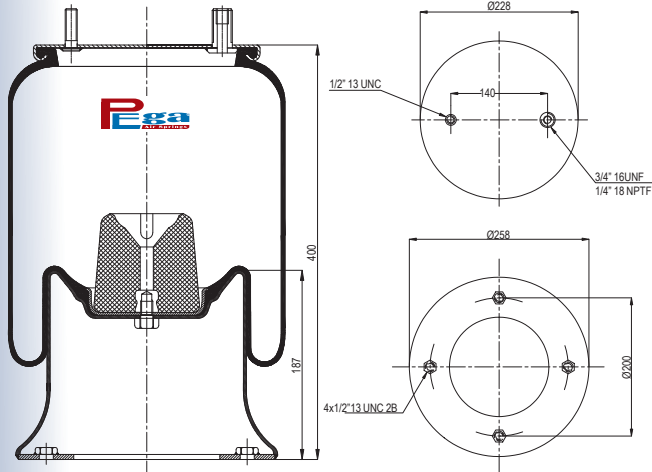
Cross References	
CONTITECH	4159 N P07
CF GOMMA	1T 323-40 202302
DUNLOP	D12B15
FIRESTONE	1T15M-9
FIRESTONE	W01 M58 8859
FIRESTONE	W01 379 9071
GOODYEAR	1R12-702
PHOENIX	1 DK 21B-6
TAURUS	KR 509-25

OE Part No	
FRUEHAUF	M001782
FRUEHAUF	UJB 0203-001
CRANE FRUEHAUF	UJB 0203
CRANE FRUEHAUF	UJB 0203-001
CRANE FRUEHAUF	UJA 0874-1
ACKERMANN FRUEHAUF	M001782
FRUEHAUF-ACERBY	202302

METAL PISTON

11 KG.

P10.4159.C08



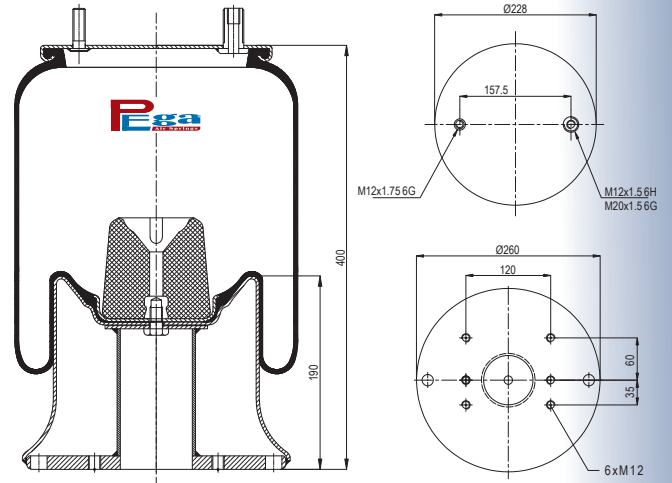
Cross References	
CONTITECH	4159 N P08
GOODYEAR	1R12-281

OE Part No	
HENDRICKSON	NA 1817

METAL PISTON

10 KG.

P10.4159.C10



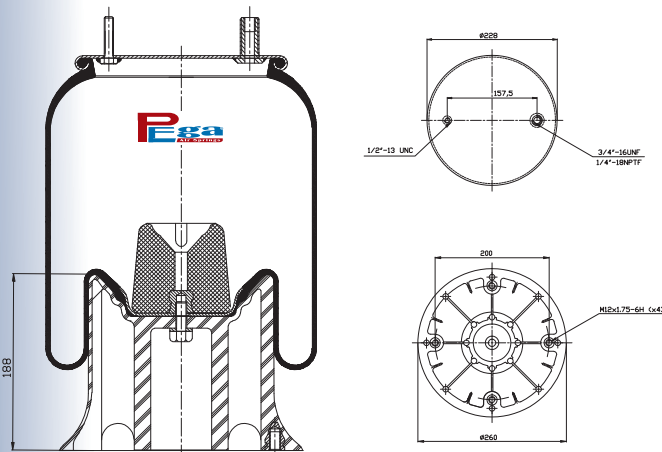
Cross References	
CONTITECH	4159 N P10
FIRESTONE	1T15M-9
	W01 M58 0736

OE Part No	

METAL PISTON

12 KG.

P10.4159.C15



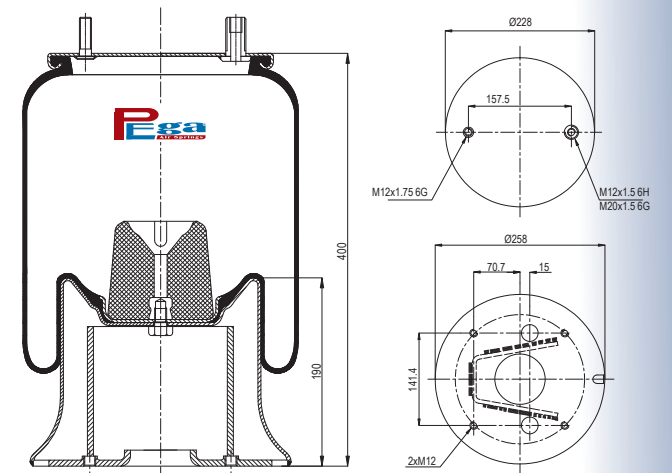
Cross References	

OE Part No	

METAL PISTON

11 KG.

P10.4159.C17



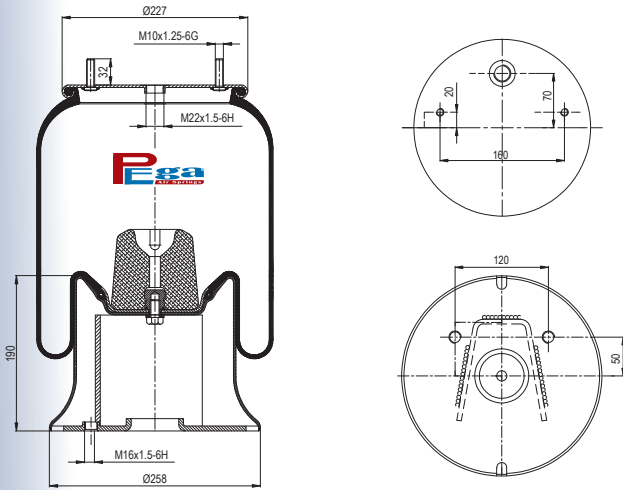
Cross References	

OE Part No	

METAL PISTON

11 KG.

P10.4159.C19



Cross References

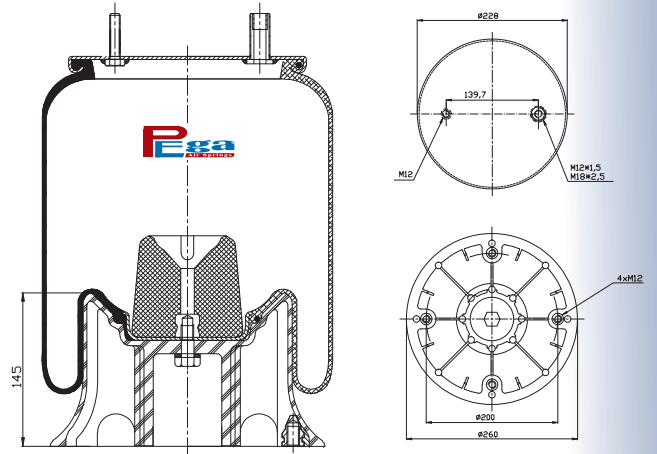
DUNLOP	D12 B07
	D12 B09

OE Part No

METAL PISTON

12 KG.

P10.4159.C29



Cross References

FIRESTONE	1T15M9
	W010950314

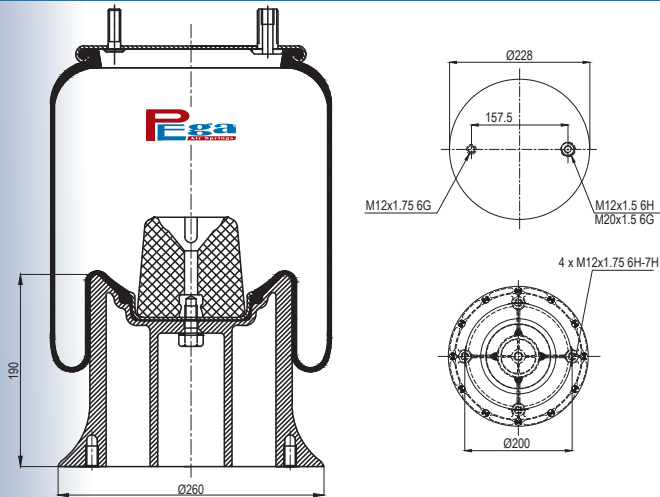
OE Part No

FACCHINI	308501705
HBZ	80006-03
RANDOM	212100301

METAL PISTON

10 KG.

P10.4159.CAL06



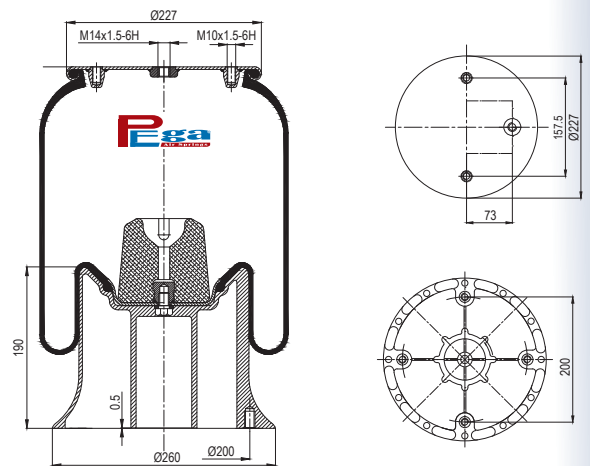
Cross References

OE Part No

ALUMINIUM PISTON

9 KG.

P10.4159.CAL07



Cross References

GOODYEAR	1R12-713
FIRESTONE	1T15M-9
	W01-M58-7308

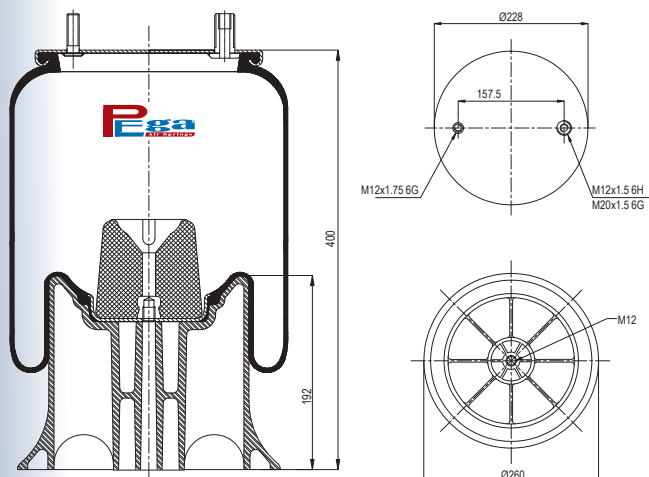
OE Part No

SCANIA TRUCK	1314905
	255294

ALUMINIUM PISTON

9 KG.

P10.4159.CP09



Cross References

CONTITECH	4159 N P09
FIRESTONE	1T15M-9
	W01 M58 9131
GOODYEAR	1R12-721
SPRINGRIDE	D12B04
PHOENIX	1 DK 21 B-8
CF GOMMA	1 T 323-40 200751

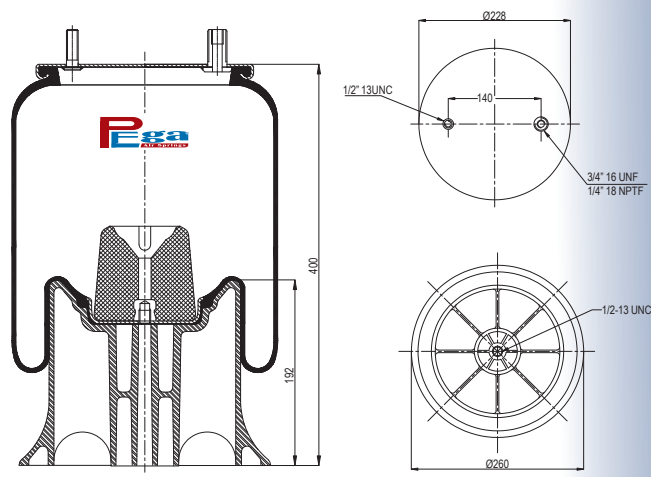
OE Part No

CARDI	580 51210
FRUEHAUF	UJB 0358-001
SAMRO	H 2500324
SMB	152 5199
SMB	M 001774

PLASTIC PISTON

7,2 KG.

P10.4159.CP11



Cross References

CONTITECH	4159 N P11
-----------	------------

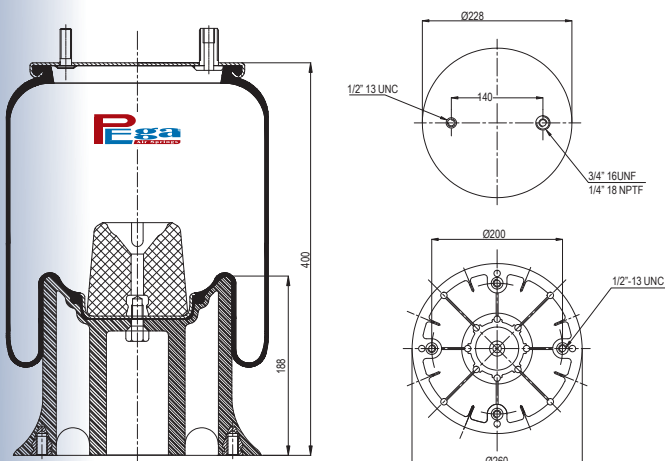
OE Part No

HENDRICKSON	B 3842
-------------	--------

PLASTIC PISTON

7 KG.

P10.4159.CP12



Cross References

CONTITECH	4159 N P12
CONTITECH	9 10-19 P 315
FIRESTONE	1T15M9
	W01 358 9101
GOODYEAR	1R12-717
TRIANGLE	8315
TAURUS	6364

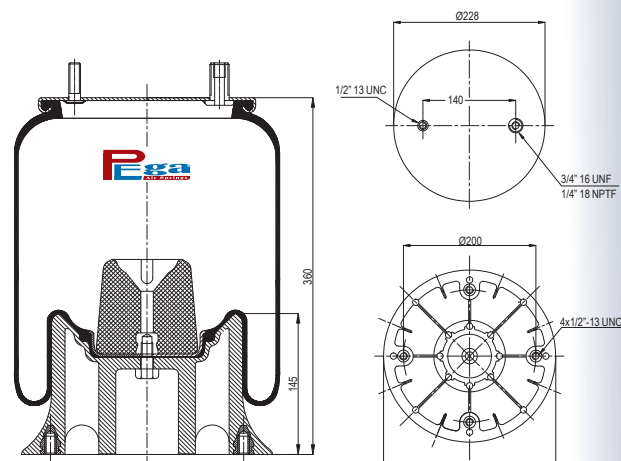
OE Part No

	352-9101
	B 3842
	SC2038
	554768C1
	12883-01
	S-5828-C
	S-740-C
	1003589101C
	90557082
	85101149
	AS-0040

PLASTIC PISTON

7 KG.

P10.4159.CP13



Cross References

CONTITECH	4159 N P13
CONTITECH	9 10-19 P 326
FIRESTONE	1T15M-9
	W01 358 9192
GOODYEAR	1R12-167
TRIANGLE	8326
TAURUS	6364

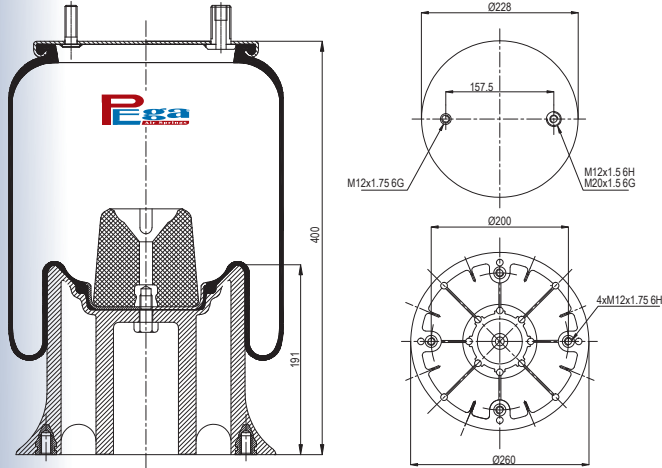
OE Part No

HENDRICKSON	NA 1817
HENDRICKSON	S-6195
LOADGUARD	SC2120
NAVISTAR/FLEETRITE	1681738C1
NAVISTAR/FLEETRITE	1681740C1
SAF HOLLAND	90557086
SAF HOLLAND	90557108
SAF HOLLAND	90557135
SAF HOLLAND	90557136
WATSON & CHALIN	AS-0038
WATSON & CHALIN	AS-0046

PLASTIC PISTON

7,3KG.

P10.4159.CP14



Cross References

CONTITECH	4159 N P14
FIRESTONE	1T15M-9
	W01 M58 7548
CF GOMMA	1 T 323-40
PHOENIX	1 DK 21 B-4
VIBRACOUSTIC	V1DK21B-4
SPRINGRIDE	D12B01
DUNLOP UK	PNP311370000

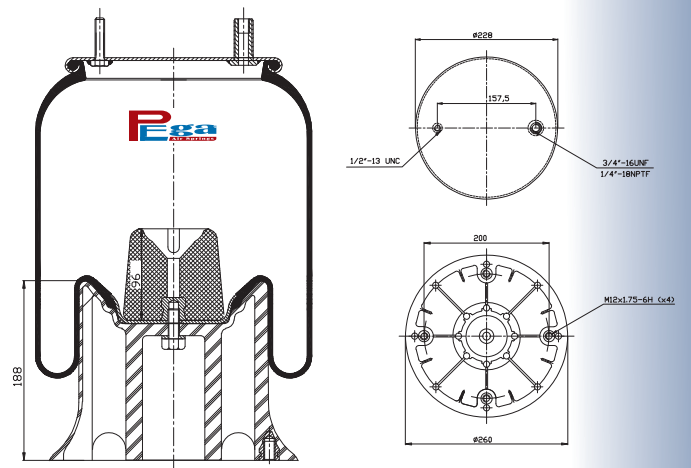
OE Part No

FRUEHAUF	UJA 0894-001
ROR	2121 5891

PLASTIC PISTON

7 KG.

P10.4159.CP15



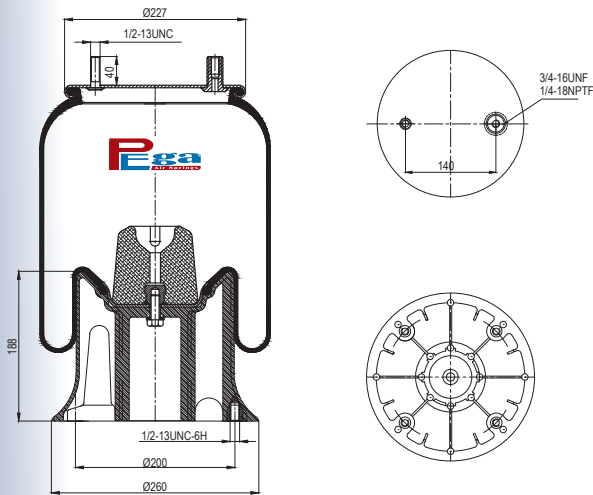
Cross References

OE Part No

PLASTIC PISTON

7 KG.

P10.4159.CP21



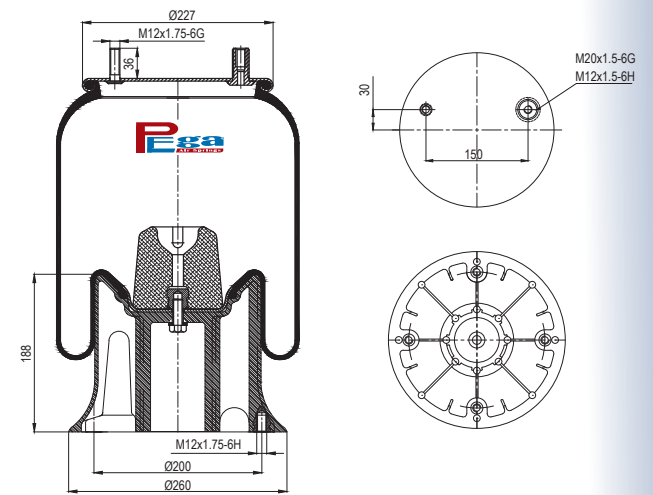
Cross References

OE Part No

PLASTIC PISTON

7,1 KG.

P10.4159.CP27



Cross References

OE Part No

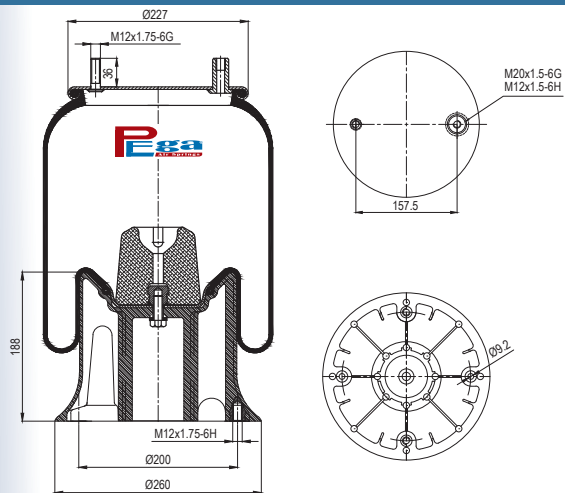
FIRESTONE W01 681 9242

GRANNING 11382
15699

PLASTIC PISTON

7,1 KG.

P10.4159.CP30



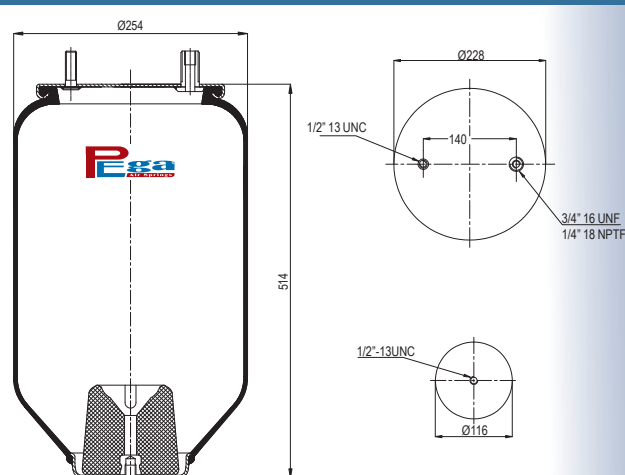
Cross References

OE Part No

PLASTIC PISTON

7,1 KG.

P10.4159.S01



Cross References

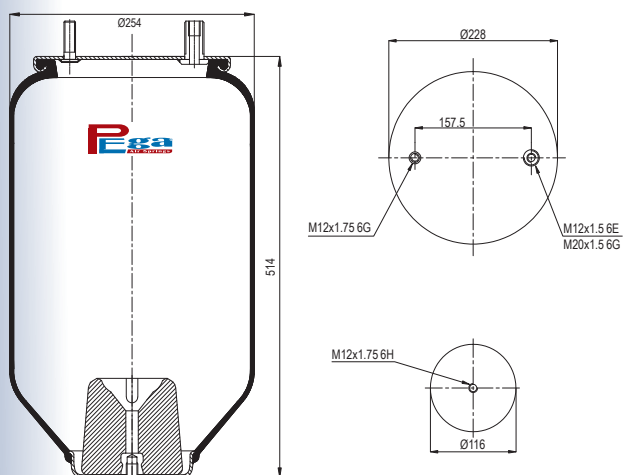
OE Part No

CF GOMMA	1 T 323-40
CONTITECH	4159 N P01
GOOD YEAR	1R12-113

SERVICE ASSEMBLY

4,5 KG.

P10.4159.S05



Cross References

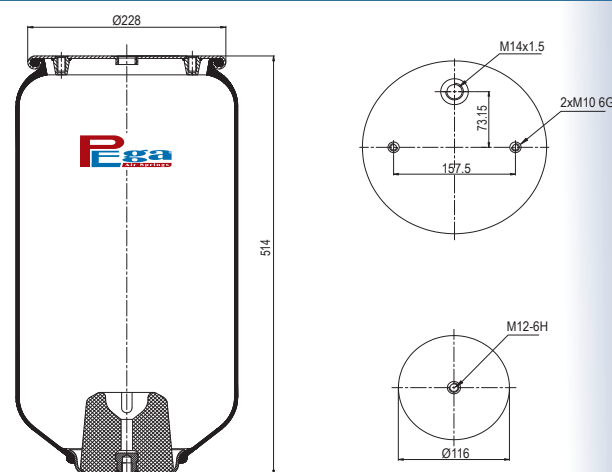
OE Part No

CF GOMMA	1 T 323-40
CONTITECH	4159 N P05
DUNLOP	D12U04
FIRESTONE	1T15M-9
FIRESTONE	W01 M58 0736
GOOD YEAR	1R12-761
PHOENIX	1 DK 21 B-5 NP

SERVICE ASSEMBLY

4,5 KG.

P10.4159.S10



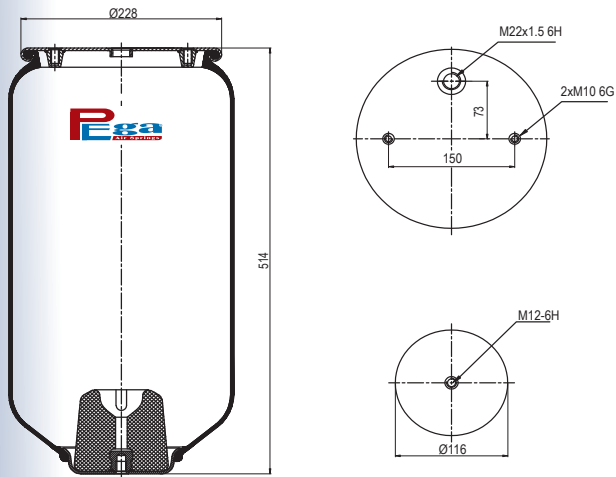
Cross References

OE Part No

SERVICE ASSEMBLY

4,5 KG.

P10.4159.S11



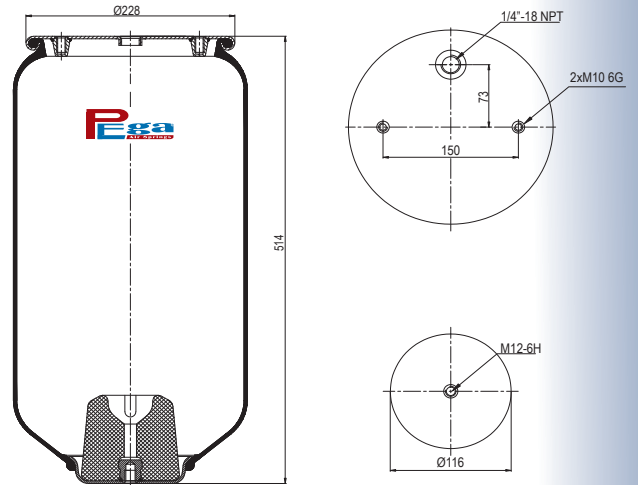
Cross References

OE Part No

SERVICE ASSEMBLY

4,5 KG.

P10.4159.S12



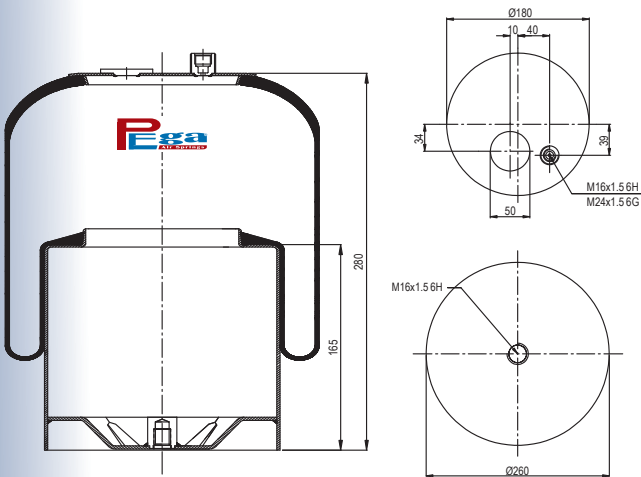
Cross References

OE Part No

SERVICE ASSEMBLY

4,5 KG.

P10.4183.C01



Cross References

OE Part No

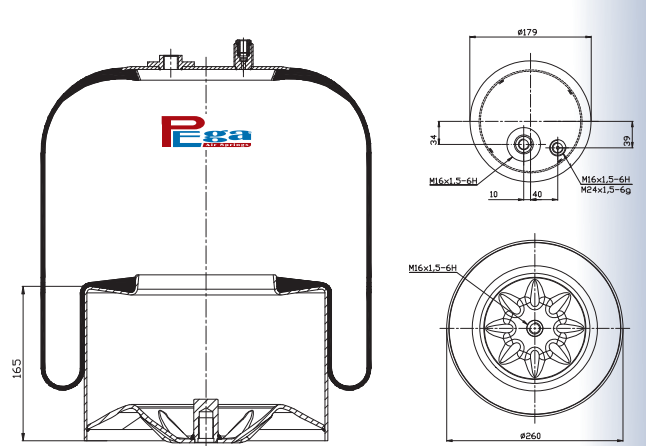
CONTITECH 4183 N P23

MERCEDES A 942 320 2221

METAL PISTON
VOSS 230

8,8 KG.

P10.4183.C04



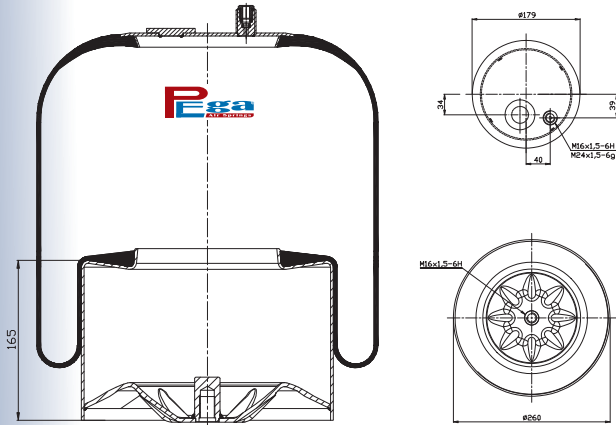
Cross References

OE Part No

METAL PISTON

8,8 KG.

P10.4183.C21



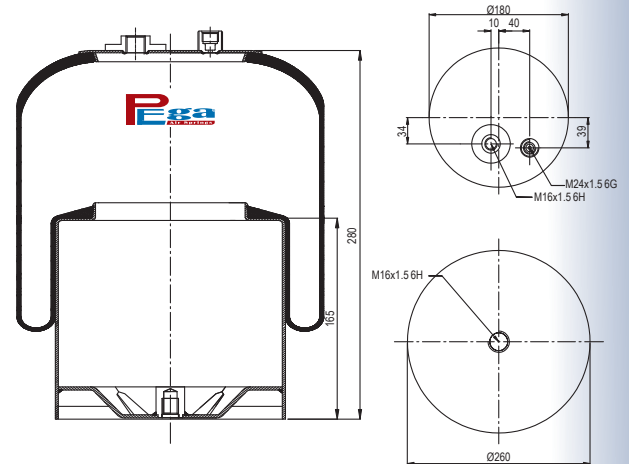
Cross References

OE Part No

METAL PISTON
VOSS 232

8,8 KG.

P10.4183.C24



Cross References

OE Part No

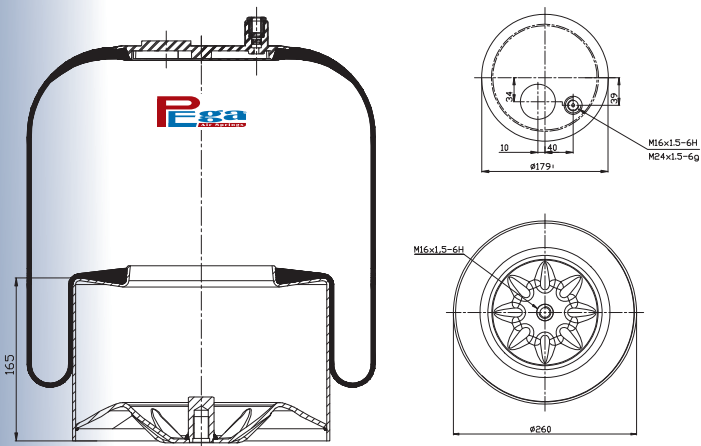
CONTITECH 4183 N P24

MERCEDES A 942 320 2321
A 942 320 6921
A 942 320 1421

METAL PISTON
VOSS 232

8,8 KG.

P10.4183.C25



Cross References

OE Part No

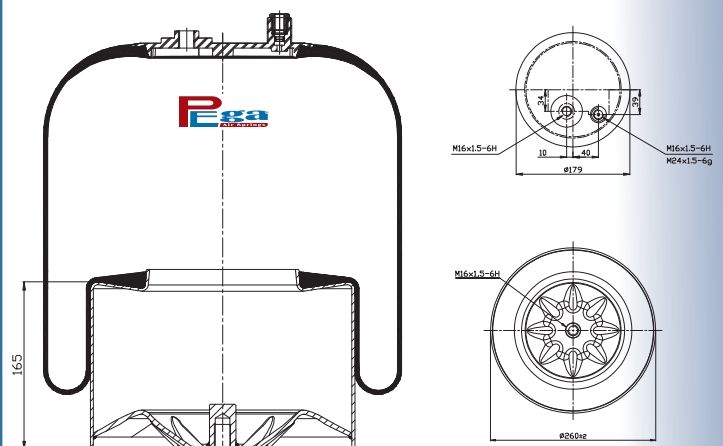
CONTITECH 4183 N P25

MERCEDES A 942 320 2221
A 942 320 6821
A 942 320 1321

METAL PISTON
VOSS 232

9 KG.

P10.4183.C26



Cross References

OE Part No

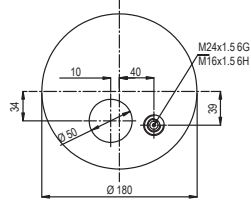
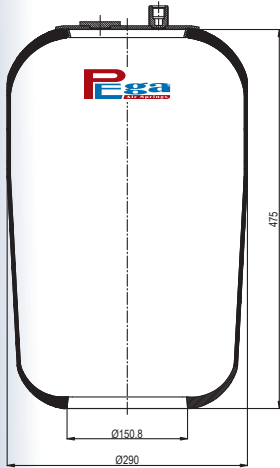
CONTITECH 4183 N P26

MERCEDES A 942 320 2321
A 942 320 6921
A 942 320 1421

METAL PISTON
VOSS 232

9 KG.

P10.4183.S1



Cross References

CONTITECH 4183 N2

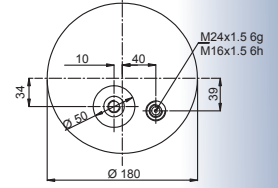
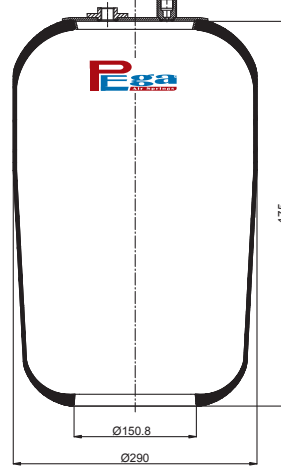
OE Part No

MERCEDES

SERVICE ASSEMBLY
VOSS 230

3,2 KG.

P10.4183.S2



Cross References

CONTITECH 4183 N1

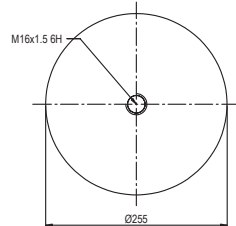
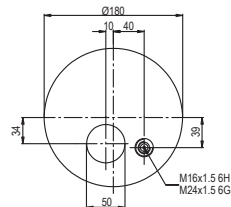
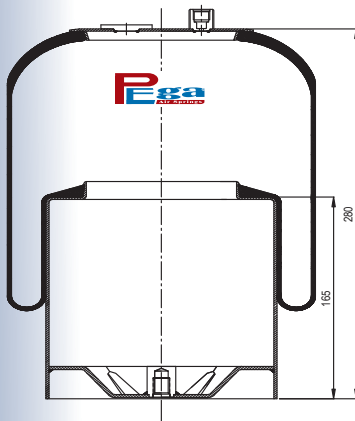
OE Part No

MERCEDES

SERVICE ASSEMBLY
VOSS 232

3,2 KG.

P10.4185.C01



Cross References

CONTITECH 4185 N P01

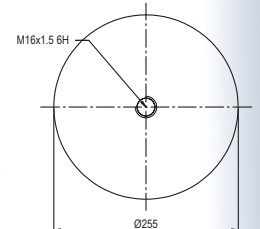
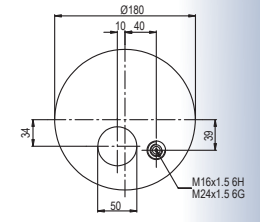
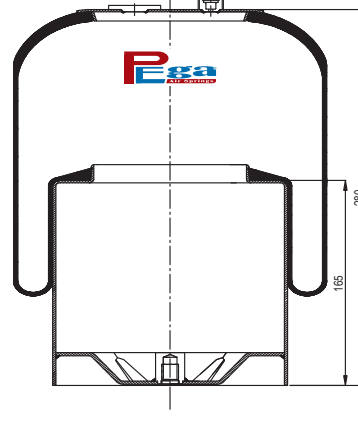
OE Part No

MERCEDES A 974 320 0021

METAL PISTON
VOSS 230

8,5 KG.

P10.4185.C21



Cross References

CONTITECH 4185 N P21

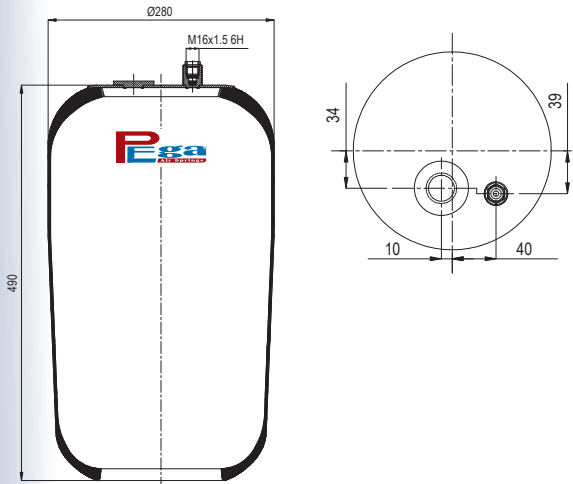
OE Part No

MERCEDES A 942 320 3021

METAL PISTON
VOSS 232

8,5 KG.

P10.4185.S01



Cross References

CONTITECH 4185 N

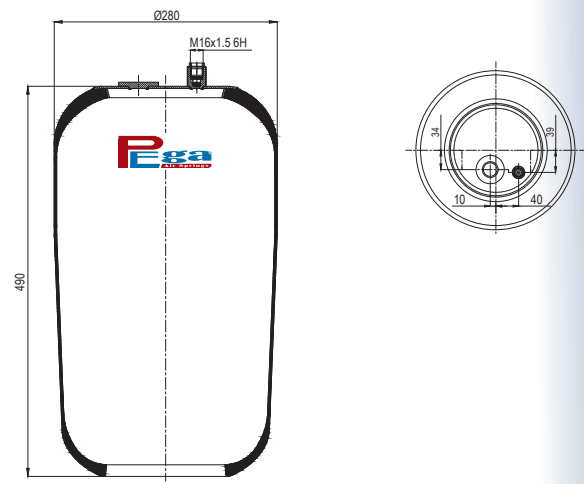
OE Part No

MERCEDES A 974 328 0201

SERVICE ASSEMBLY
VOSS 230

3 KG.

P10.4185.S02



Cross References

CONTITECH 4185 N

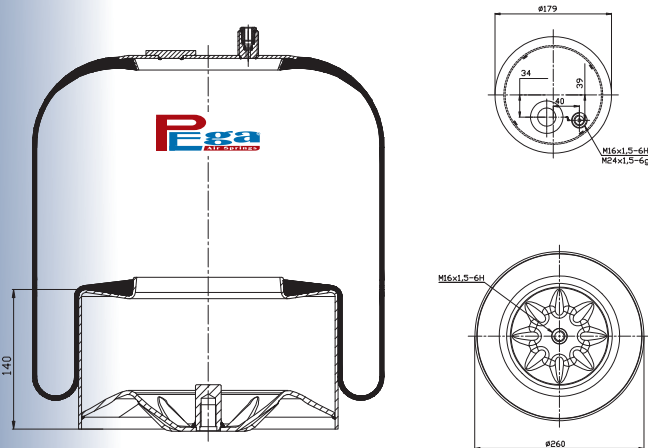
OE Part No

MERCEDES 946 328 04 01
HS 251087

SERVICE ASSEMBLY
VOSS 232

3 KG.

P10.4186.C01



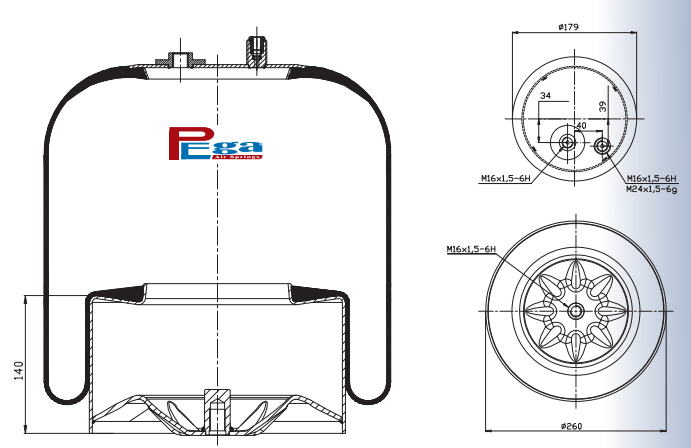
Cross References

OE Part No

METAL PISTON

8,8 KG.

P10.4186.C02



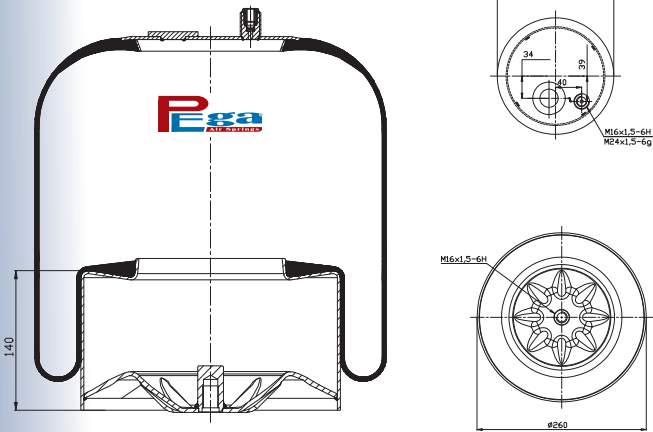
Cross References

OE Part No

METAL PISTON

8,8 KG.

P10.4186.C23



Cross References

CONTITECH 4186 N P23

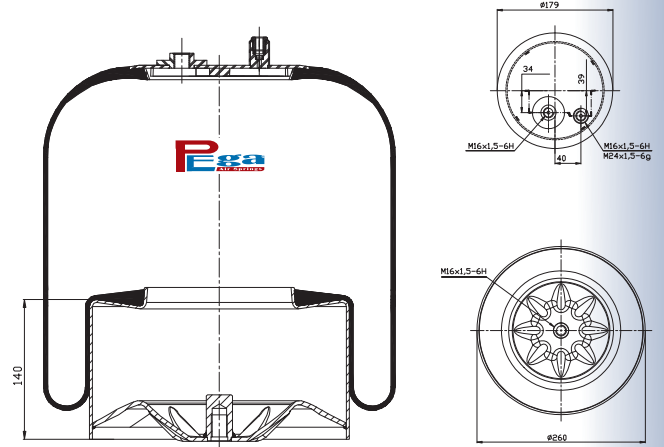
OE Part No

MERCEDES A 942 320 2421
A 942 320 7021
A 942 320 1621

METAL PISTON

8,8 KG.

P10.4186.C24



Cross References

CONTITECH 4186 N P24

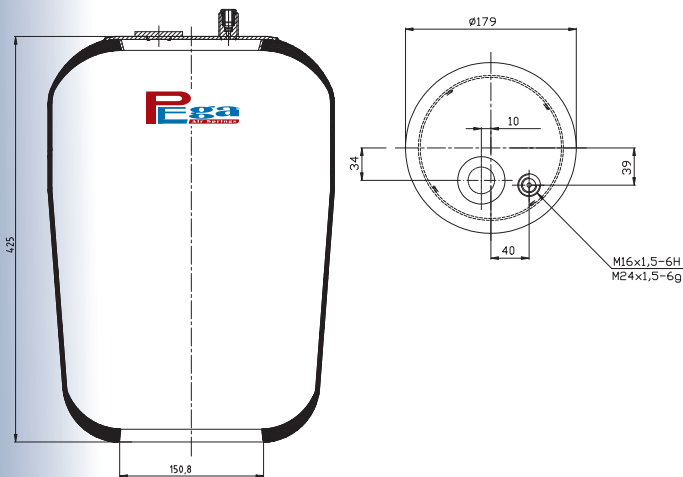
OE Part No

MERCEDES A 942 320 2521
A 942 320 7121
A 942 320 1721

METAL PISTON

8,8 KG.

P10.4186.S01



Cross References

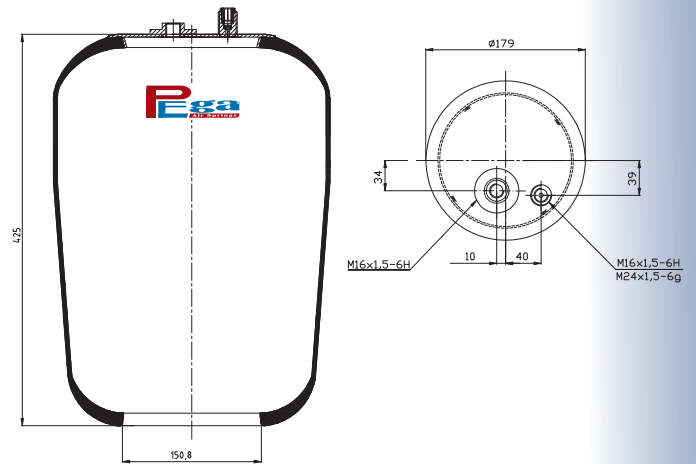
CONTITECH 4186 N3

OE Part No

SERVICE ASSEMBLY

3 KG.

P10.4186.S02



Cross References

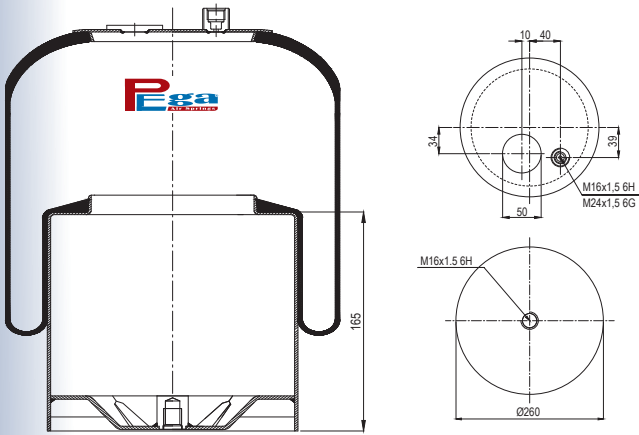
CONTITECH 4186 N4

OE Part No

SERVICE ASSEMBLY

3 KG.

P10.4187.C01

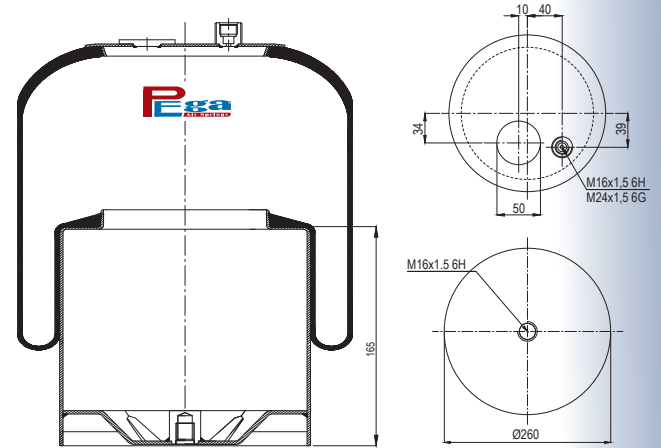


Cross References		OE Part No	
CONTITECH	4187 N P01	MERCEDES	A 942 320 1821

METAL PISTON
VOSS 230

kg 8,5 KG.

P10.4187.C21

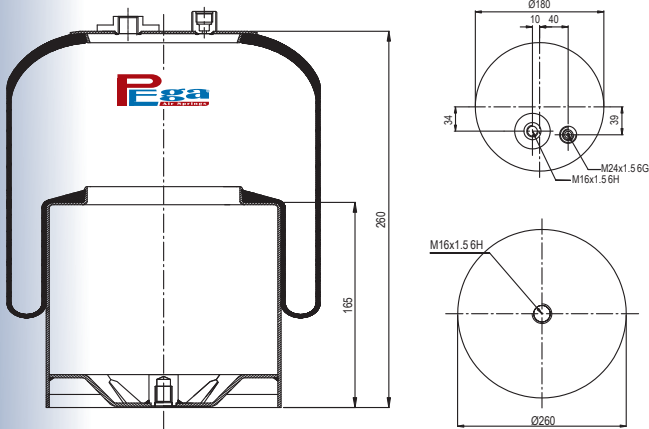


Cross References		OE Part No	
CONTITECH	4187 N P21	MERCEDES	A 942 320 2621
		MERCEDES	A 942 320 7221

METAL PISTON
VOSS 232

kg 8,5 KG.

P10.4187.C22

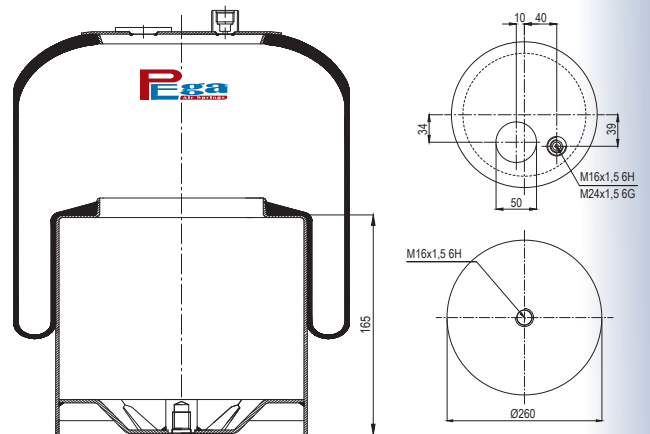


Cross References		OE Part No	
CONTITECH	4187 N P22	MERCEDES	A 942 320 2721

METAL PISTON
VOSS 232

kg 8,5 KG.

P10.4187.C23

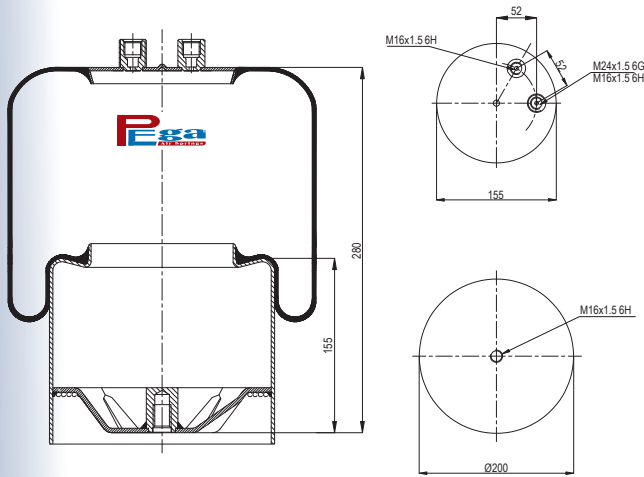


Cross References		OE Part No	
CONTITECH	4187 N P23	MERCEDES	A 942 320 2621
		MERCEDES	A 942 320 7221

METAL PISTON
VOSS 232

kg 8,5 KG.

P10.4390.C02

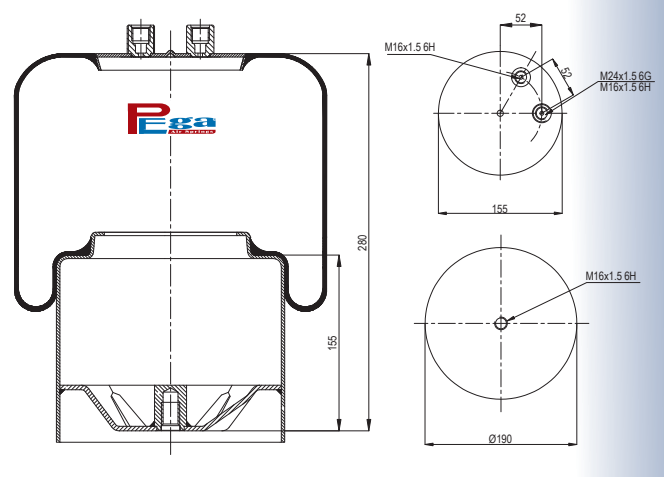


Cross References		OE Part No	
CONTITECH	4390 N P02	MERCEDES	A 942 320 0221
GOODYEAR	9506		
DUNLOP	D12T11		
PHOENIX	1 KF 21-2		

METAL PISTON
VOSS 230

6,5 KG.

P10.4390.C03

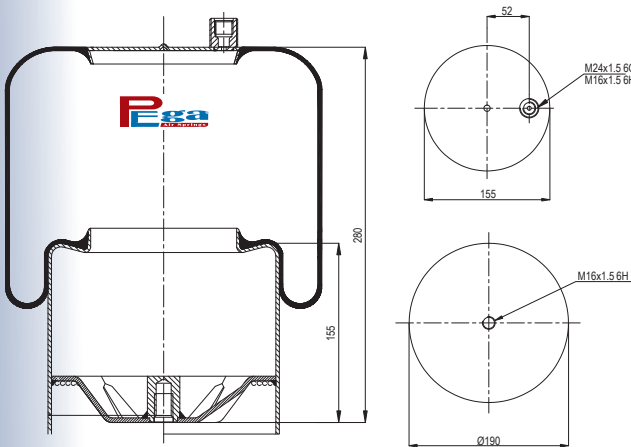


Cross References		OE Part No	
CONTITECH	4390 N P03	MERCEDES	A 942 320 0421
GOODYEAR	9506		
DUNLOP	D12T11		

SMALLER METAL PISTON
VOSS 230

6,5 KG.

P10.4390.C04

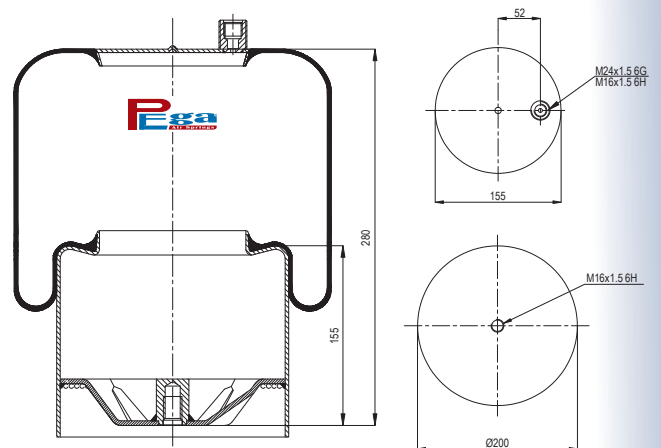


Cross References		OE Part No	
CONTITECH	4390 N P04	MERCEDES	A 942 320 0321

SMALLER METAL PISTON
VOSS 230

6,5 KG.

P10.4390.C21

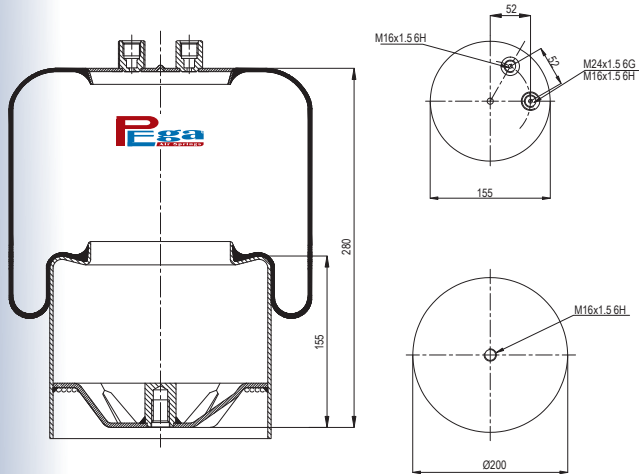


Cross References		OE Part No	
CONTITECH	4390 N P21	MERCEDES	A 942 320 2821
		MERCEDES	A 942 320 4921

METAL PISTON
VOSS 232

6,5 KG.

P10.4390.C22



Cross References

CONTITECH 4390 N P22

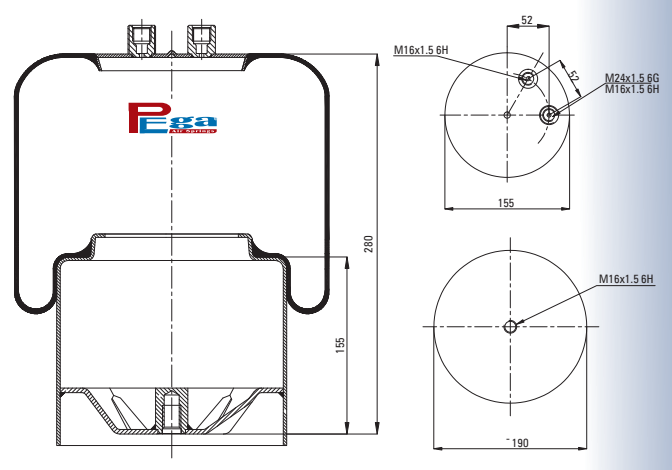
OE Part No

MERCEDES A 942 320 2921
MERCEDES A 942 320 5021

METAL PISTON
VOSS 232

6,5 KG.

P10.4390.C23



Cross References

CONTITECH 4390 N P23

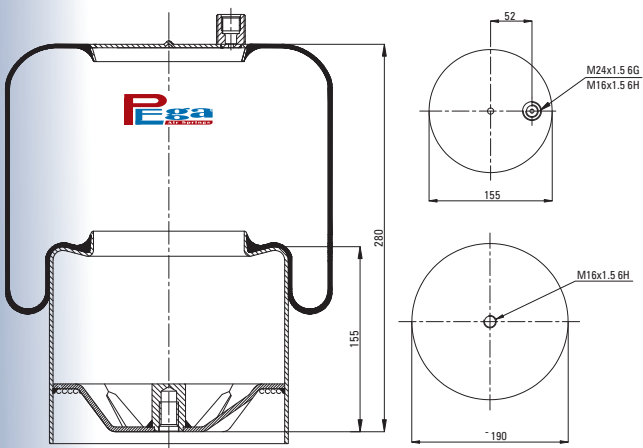
OE Part No

MERCEDES A 942 320 5221

SMALLER METAL PISTON
VOSS 232

6,6 KG.

P10.4390.C24



Cross References

CONTITECH 4390 N P24

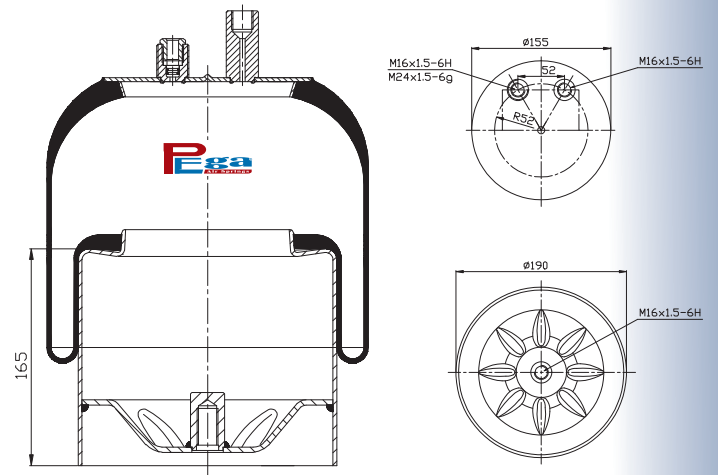
OE Part No

MERCEDES A 942 320 5121

SMALLER METAL PISTON
VOSS 232

6,5 KG.

P10.4390.C25



Cross References

CONTITECH 4390 N P25

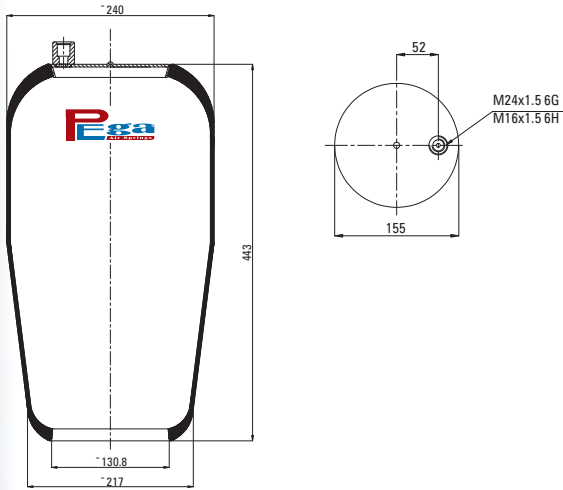
OE Part No

MERCEDES A 942 320 5121

METAL PISTON
VOSS 232

6,5 KG.

P10.4390.S1



Cross References

CONTITECH	4390 N1
GOODYEAR	9507
DUNLOP	D12U25
PHOENIX	1 KF 21-1 NP
CF GOMMA	1VSC285-30 206782

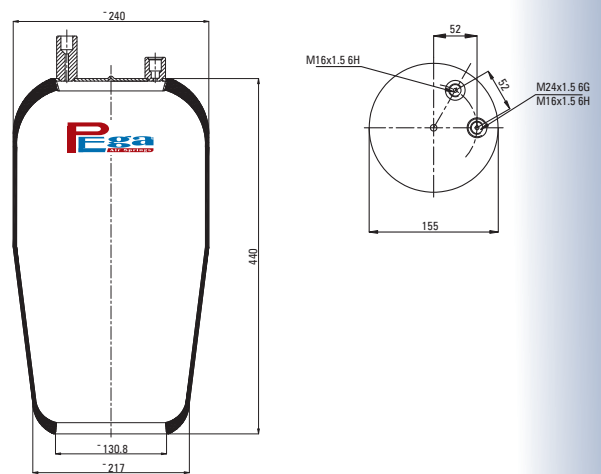
OE Part No

MERCEDES	A 942 328 0001
----------	----------------

SERVICE ASSEMBLY

2,8 KG.

P10.4390.S2



Cross References

CONTITECH	4390 N2
GOODYEAR	9508
DUNLOP	D12U26
PHOENIX	1 KF 21-2 NP
CF GOMMA	1 VSC285-30 206784

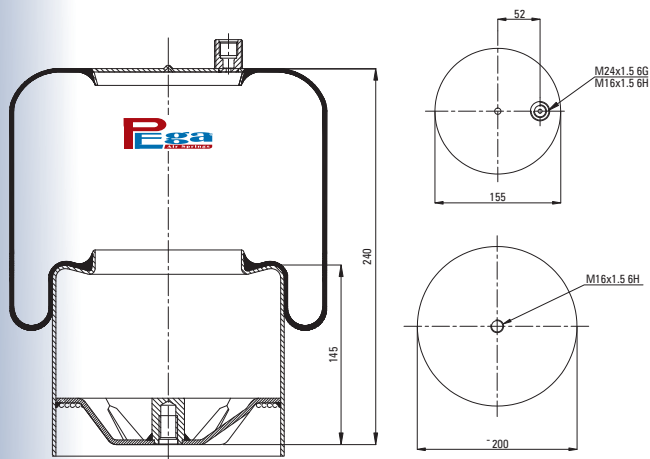
OE Part No

MERCEDES	A 942 328 0101
----------	----------------

SERVICE ASSEMBLY

6,6 KG.

P10.4391.C01



Cross References

CONTITECH	4391 N P01
-----------	------------

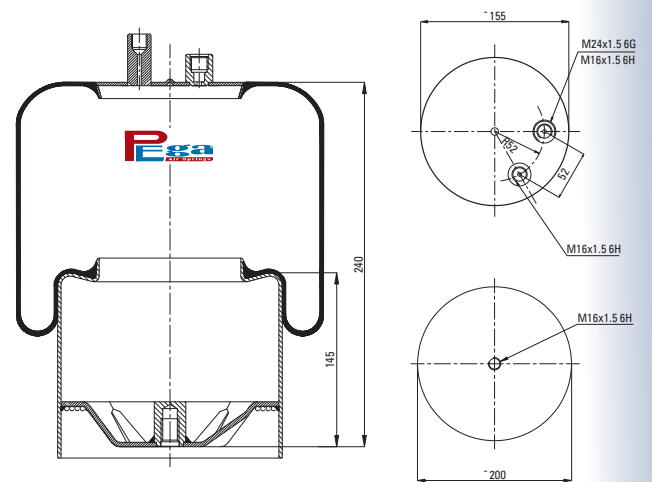
OE Part No

MERCEDES	A 942 320 0621
----------	----------------

METAL PISTON
VOSS 230

6,5 KG.

P10.4391.C02



Cross References

CONTITECH	4391 N P02
-----------	------------

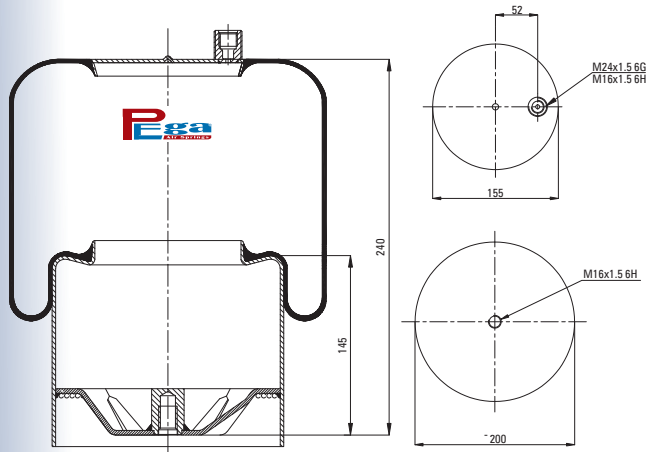
OE Part No

MERCEDES	A 942 320 0721
----------	----------------

METAL PISTON
VOSS 230

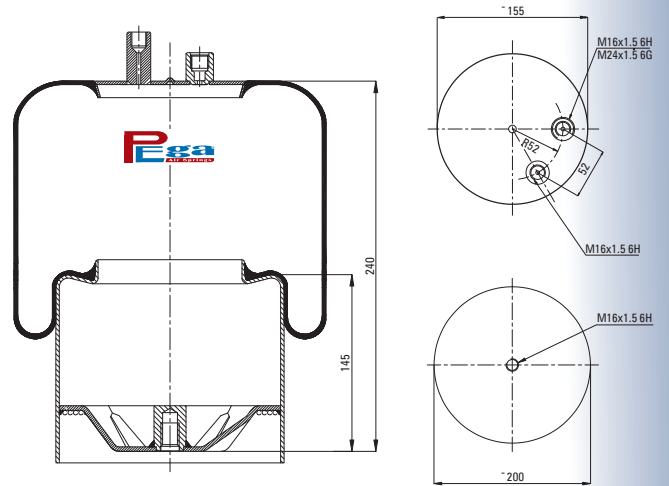
6,5 KG.

P10.4391.C21



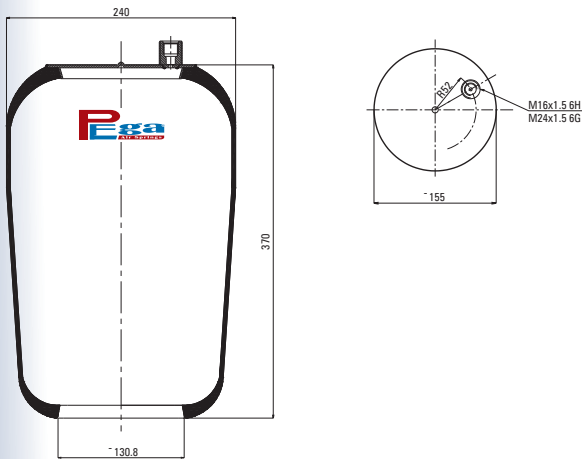
Cross References		OE Part No	
CONTITECH	4391 N P21	MERCEDES	A 942 320 5321
METAL PISTON VOSS 232		6,5 KG.	

P10.4391.C22



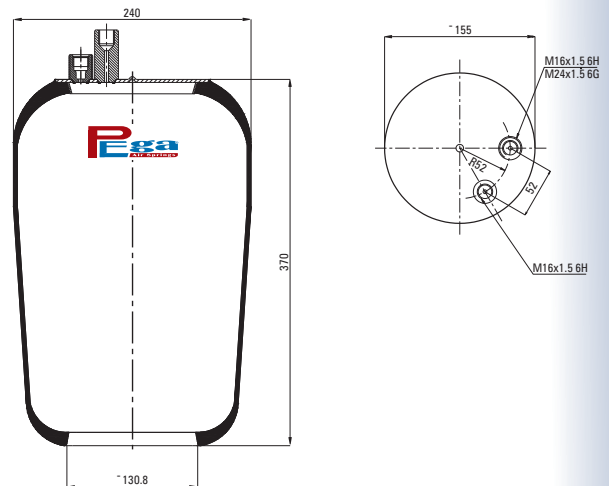
Cross References		OE Part No	
CONTITECH	4391 N P22	MERCEDES	A 942 320 5421
METAL PISTON VOSS 232		6,4 KG.	

P10.4391.S1



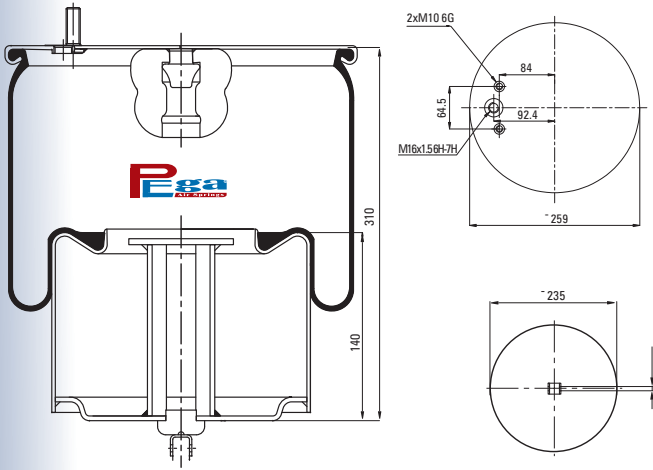
Cross References		OE Part No	
CONTITECH	4391 N1	MERCEDES	A 942 328 0601
SERVICE ASSEMBLY		2,3 KG.	

P10.4391.S2



Cross References		OE Part No	
CONTITECH	4391 N2	MERCEDES	A 942 328 0701
SERVICE ASSEMBLY		2,4 KG.	

P10.4420.C01

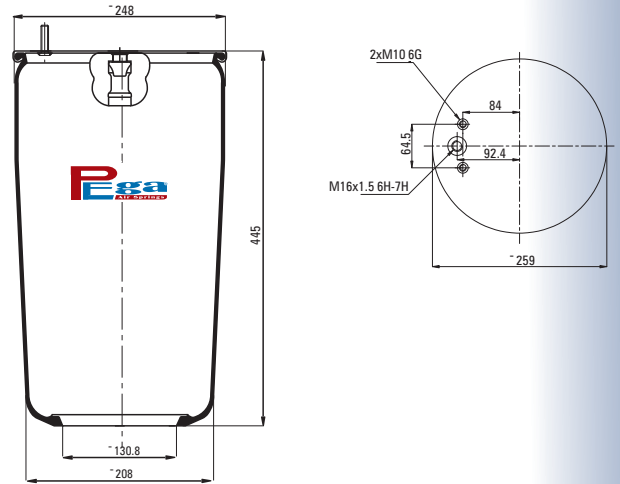


Cross References		OE Part No	
CONTITECH	4420 N P01	VOLVO	1 076 075
FIRESTONE	1T17SR-6.5	VOLVO	1 076 076
	W01 M58 9707	VOLVO	20 554 756

METAL PISTON

8,8 KG.

P10.4420.S



Cross References		OE Part No	
CONTITECH	4420 N	FRUEHAUF	431487
		VOLVO	1 076 076

SERVICE ASSEMBLY

4 KG.

P10.450.R25

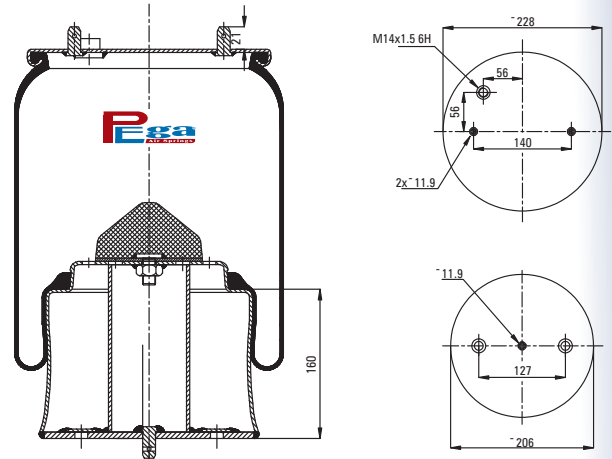


Cross References		OE Part No	
CONTITECH	RZ 450-25	EVO BUS	A 356 327 0001
GOODYEAR	9050	EVO BUS	A 356 327 0201
DUNLOP	D12S13	IVECO BUS	931 97594
CF GOMMA	1 S 300-27 203386	MB TURK	A 356 327 0001
		MB TURK	A 613 327 0101

ROLL

1,6 KG.

P10.4506.C

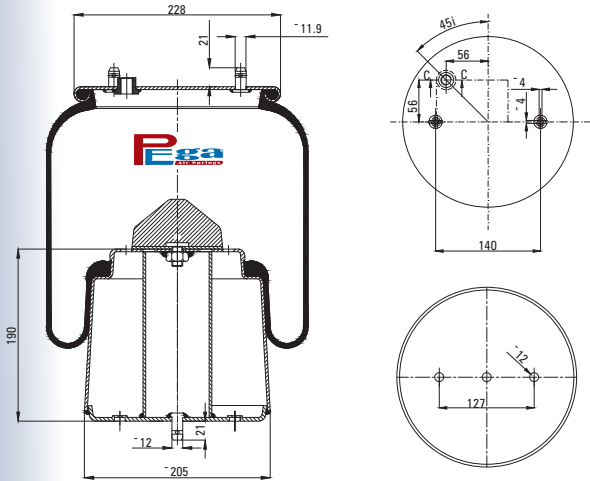


Cross References		OE Part No	
GOODYEAR	1R11-832	SCANIA-S.BUSSAR	1434506
		SCANIA-S.BUSSAR	473868
		SCANIA-S.BUSSAR	488269

METAL PISTON

9 KG.

P10.4506.C01



Cross References

GOODYEAR 1R11-838

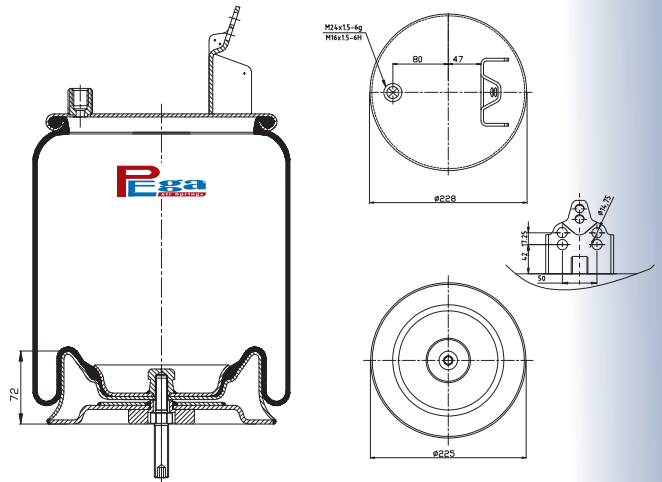
OE Part No

SCANIA-S.BUSSAR 1726243

METAL PISTON

9 KG.

P10.4543.C



Cross References

CONTITECH 6614 N P01

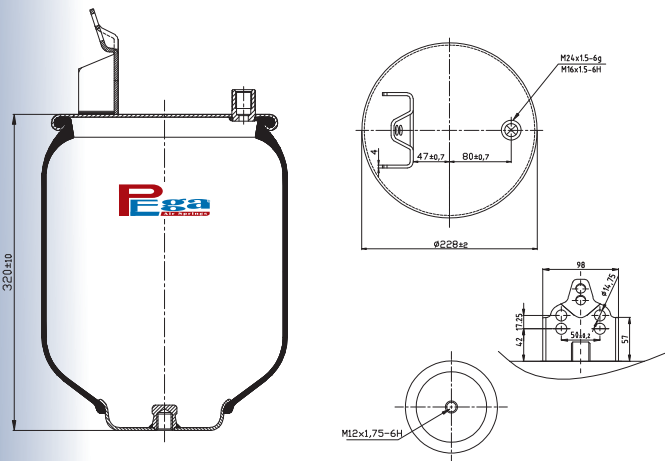
OE Part No

VOLVO
20737947
20583420
21961458
20737943
20424543

METAL PISTON

7 KG

P10.4543.S



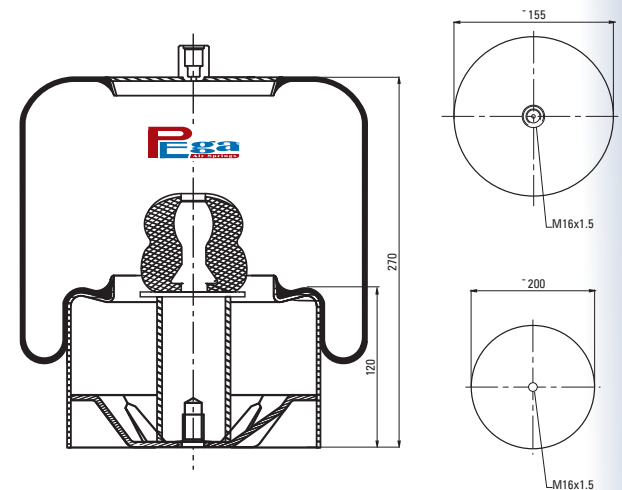
Cross References

SERVICE ASSEMBLY

OE Part No

3,7 KG.

P10.4644.C02



Cross References

CONTITECH 4644 N P02

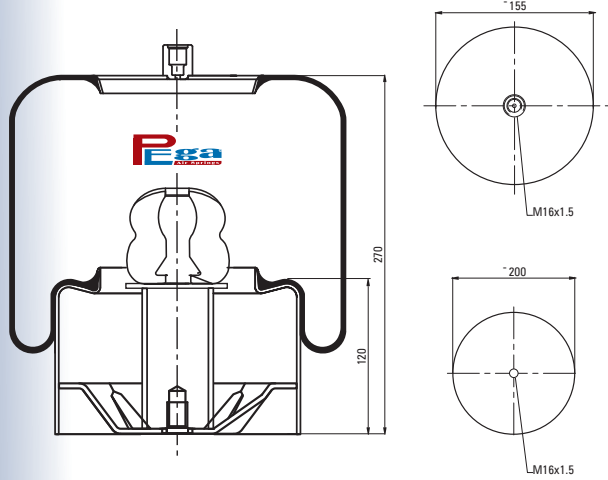
OE Part No

EVO BUS A 629 320 0025

METAL PISTON
VOSS 230

6,5 KG.

P10.4644.C22

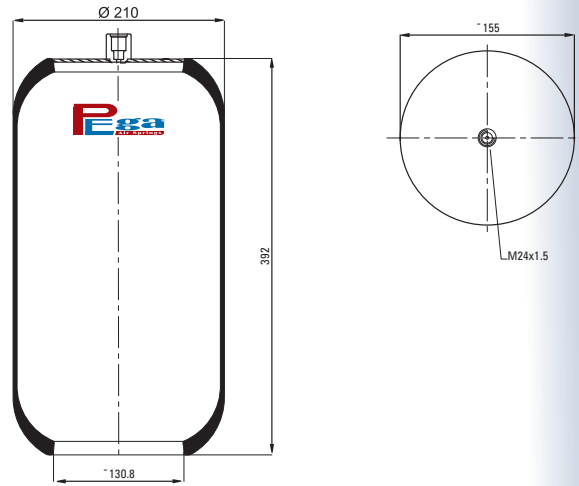


Cross References		OE Part No	
CONTITECH	4644 N P02	EVO BUS	A 629 320 0025

METAL PISTON
VOSS 232

kg 6,5 KG.

P10.4644.S

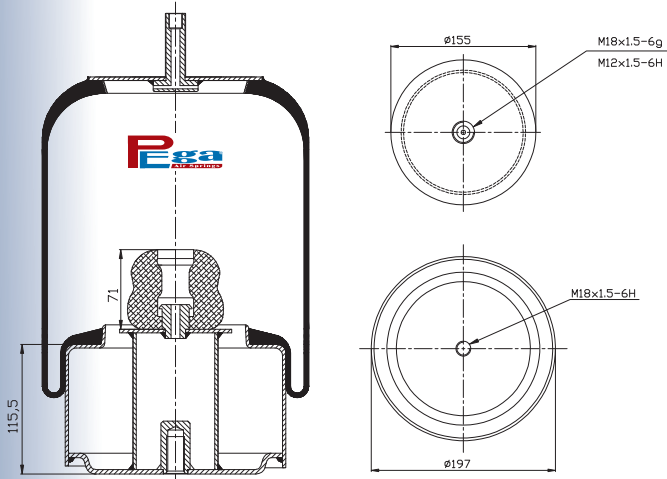


Cross References		OE Part No	
CONTITECH	4644 N	EVO BUS	A 629 327 00 01

SERVICE ASSEMBLY

kg 1,9 KG.

P10.4644.CG1

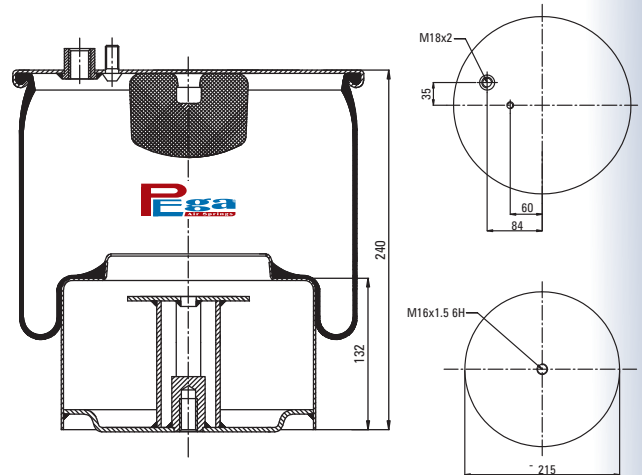


Cross References		OE Part No	
		GULERYUZ	

METAL PISTON

kg 5 KG.

P10.4705.C03

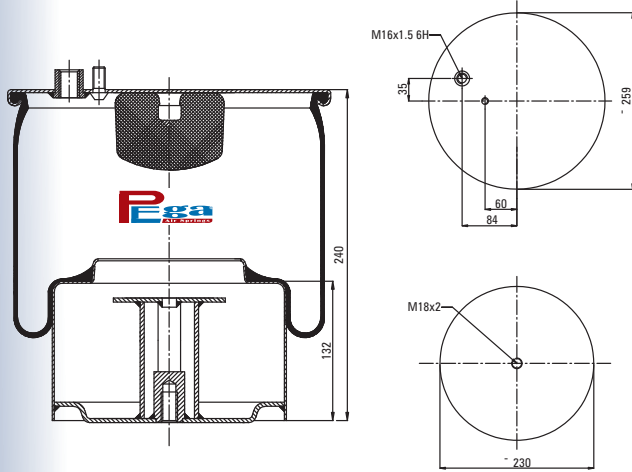


Cross References		OE Part No	
CONTITECH	4705 N1 P03	MAN	81 43600 6039

METAL PISTON

kg 10 KG.

P10.4705.C04



Cross References

CONTITECH 4705 N1 P04

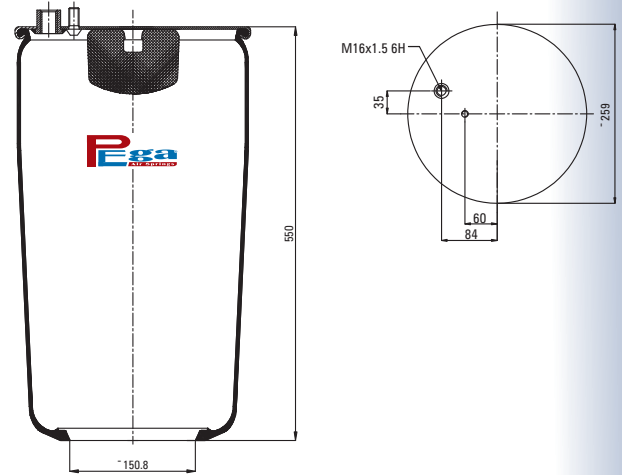
OE Part No

MAN 81 43600 6040

METAL PISTON

10 KG.

P10.4705.S01



Cross References

CONTITECH 4705 N1 P01

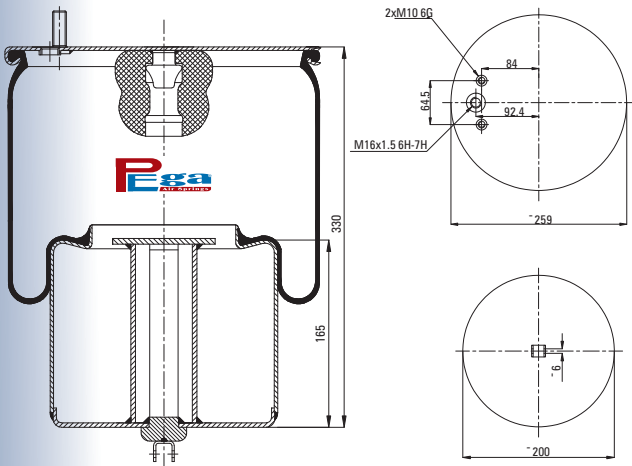
OE Part No

MAN 81 43601 0155

SERVICE ASSEMBLY

5,5 KG.

P10.4713.C02



Cross References

CONTITECH 4713 N P02
 FIRESTONE 1T17 BSR-8
 W01 M58 9706
 DUNLOP D12B24
 GOODYEAR 1R12-762
 PHOENIX 1 DF 22 C-1

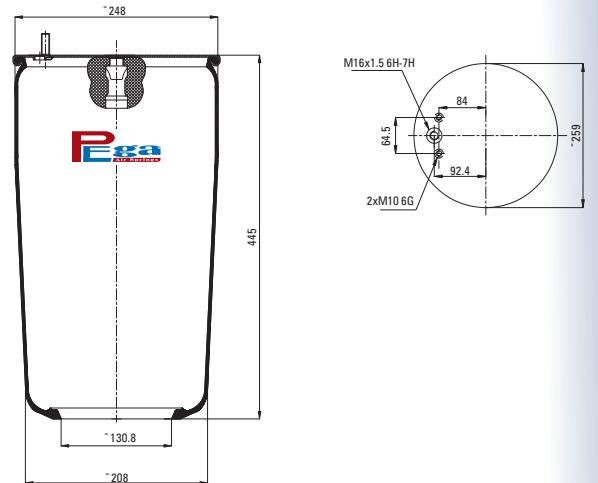
OE Part No

VOLVO 1 076 594
 VOLVO 20 554 755

METAL PISTON

8 KG.

P10.4713.S



Cross References

CONTITECH 4713 N P04
 GOODYEAR 1R12-763

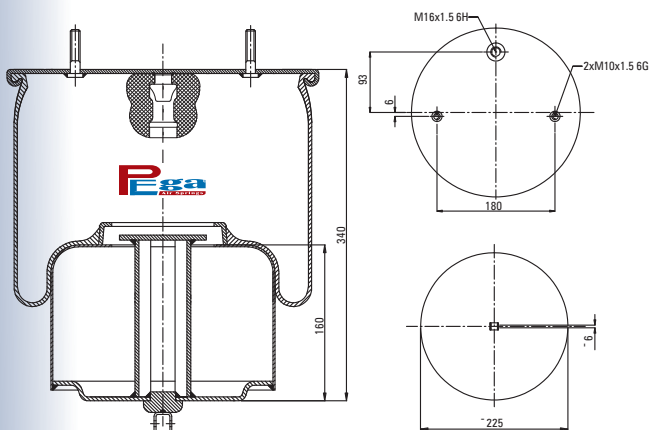
OE Part No

VOLVO 1 076 595

SERVICE ASSEMBLY

4 KG.

P10.4718.C01



Cross References

CONTITECH 4718 N P01

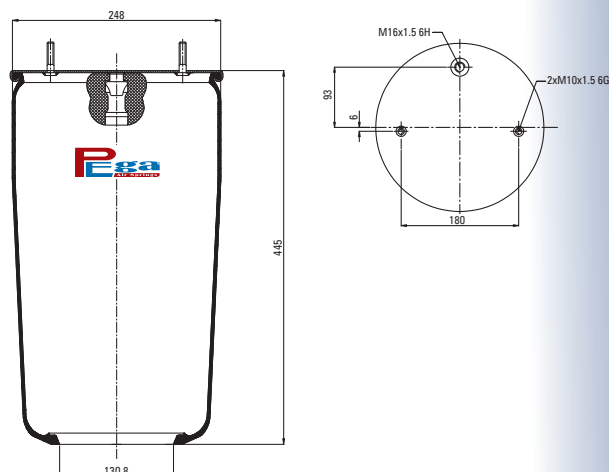
OE Part No

VOLVO 1 075 363
VOLVO 20 452 136
VOLVO 20 554 759

METAL PISTON

9,5 KG.

P10.4718.S



Cross References

CONTITECH 4718 N P02

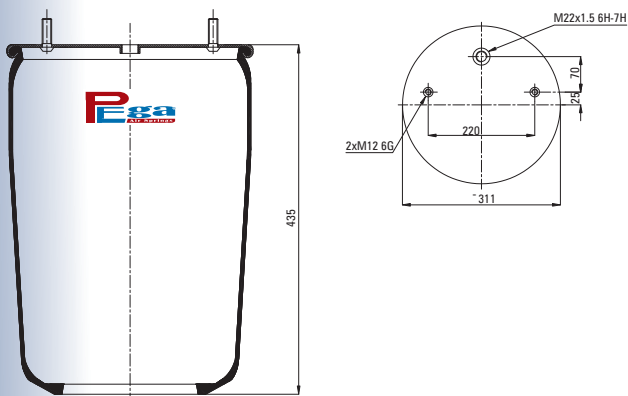
OE Part No

VOLVO 1 079 718

SERVICE ASSEMBLY

4,2 KG.

P10.4725.S



Cross References

CONTITECH 4725 N P01

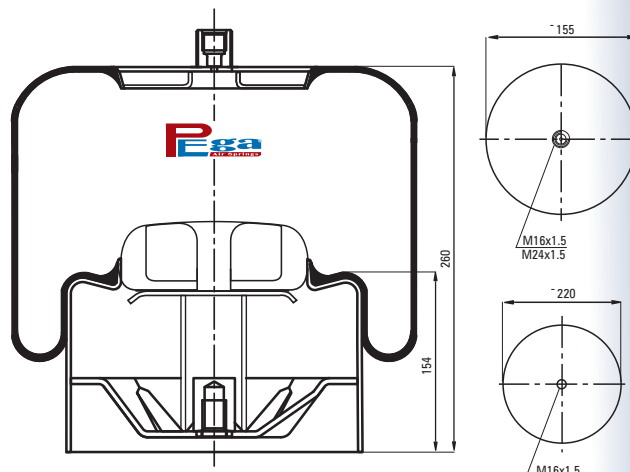
OE Part No

GIGANT 247 103

SERVICE ASSEMBLY

5 KG.

P10.4737.C01



Cross References

CONTITECH 4737 N P01

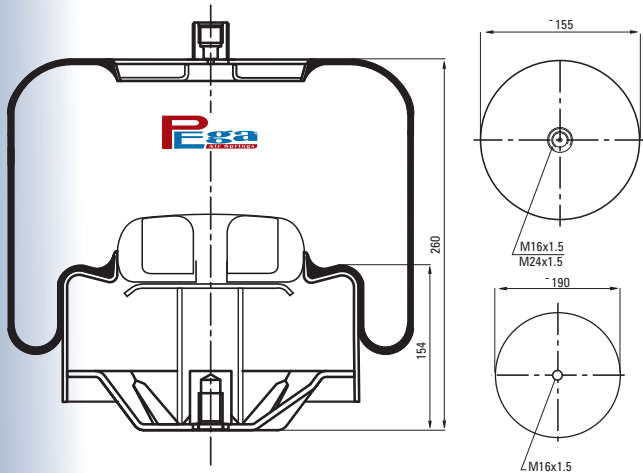
OE Part No

MERCEDES A 946 320 0321

METAL PISTON
VOSS 230

8,5 KG.

P10.4737.C02



Cross References

CONTITECH 4737 N P02

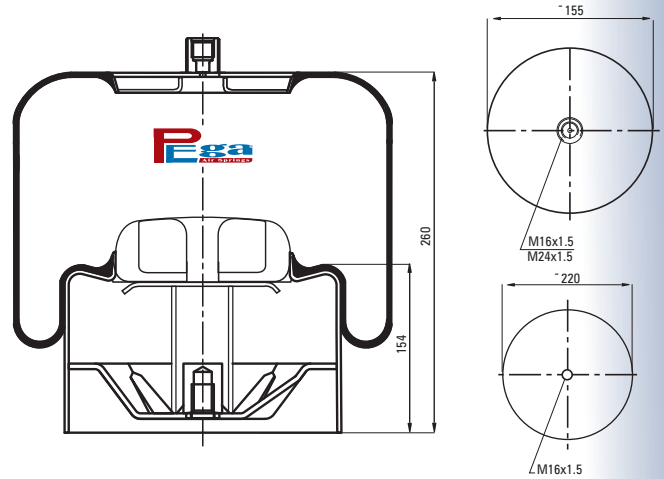
OE Part No

MERCEDES A 946 320 0521

METAL PISTON
VOSS 230

8,3 KG.

P10.4737.C21



Cross References

CONTITECH 4737 N P21

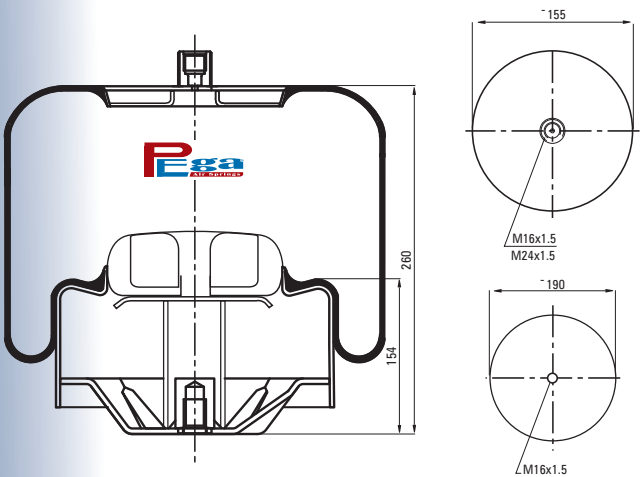
OE Part No

MERCEDES A 942 320 3721

METAL PISTON
VOSS 232

8,5 KG.

P10.4737.C22



Cross References

CONTITECH 4737 N P22

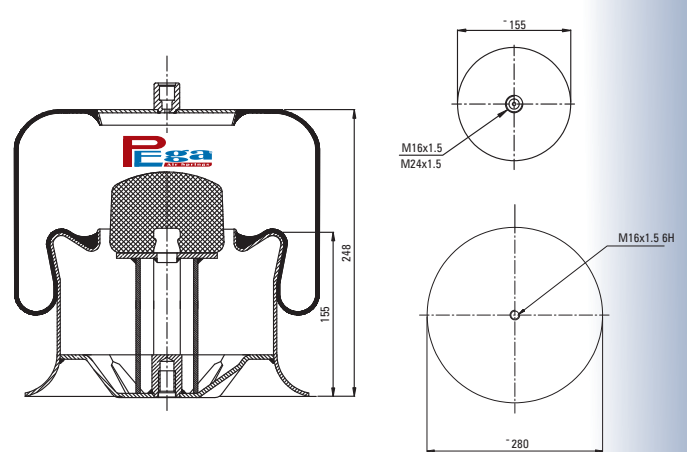
OE Part No

MERCEDES A 942 320 3921

METAL PISTON
VOSS 232

8,5 KG.

P10.4737.C25



Cross References

CONTITECH 4737 N P25

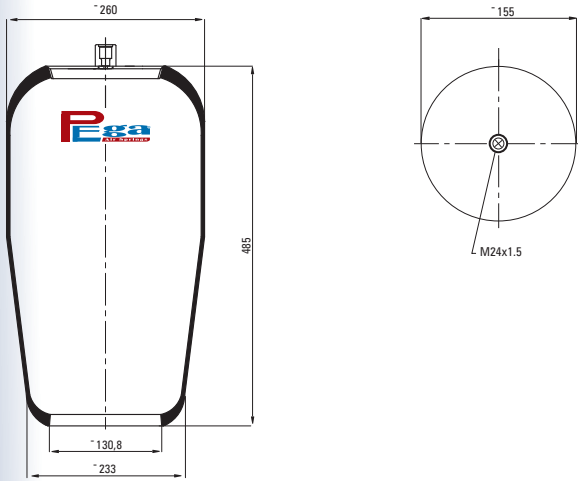
OE Part No

MERCEDES A 957 320 0317

METAL PISTON
VOSS 232

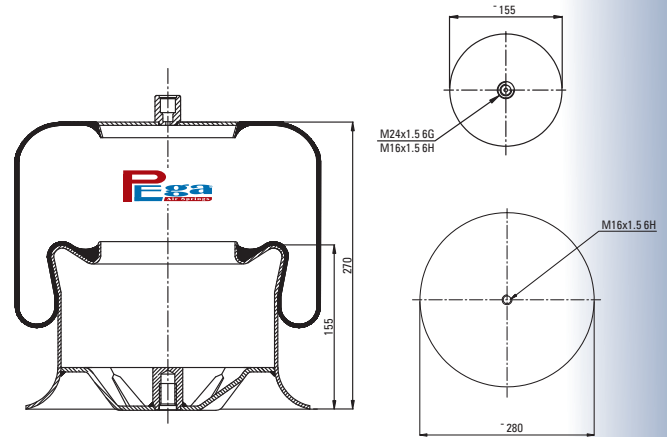
9,5 KG.

P10.4737.S1



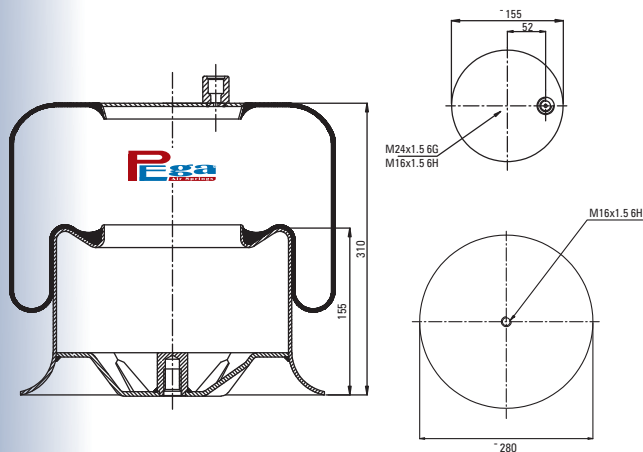
Cross References		OE Part No
CONTITECH	4737 N	
SERVICE ASSEMBLY		2,5 KG.

P10.4757.C01



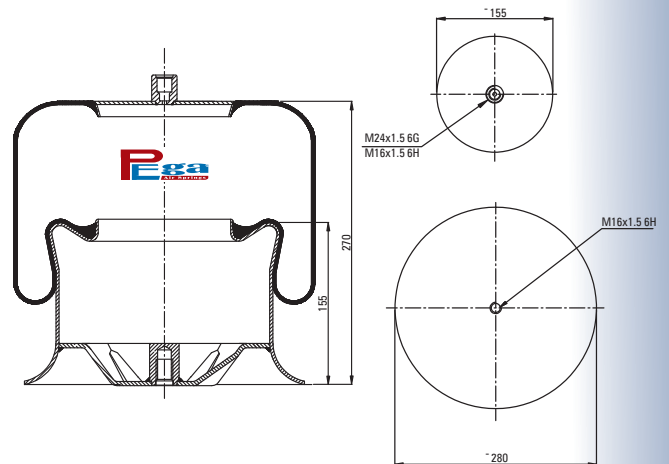
Cross References		OE Part No
CONTITECH	4757 N P01	MERCEDES A 942 320 0117
FIRESTONE	1R7Z460305A	
	W01 M58 8521	
GOODYEAR	9519	
METAL PISTON VOSS 230		7,7 KG.

P10.4757.C09



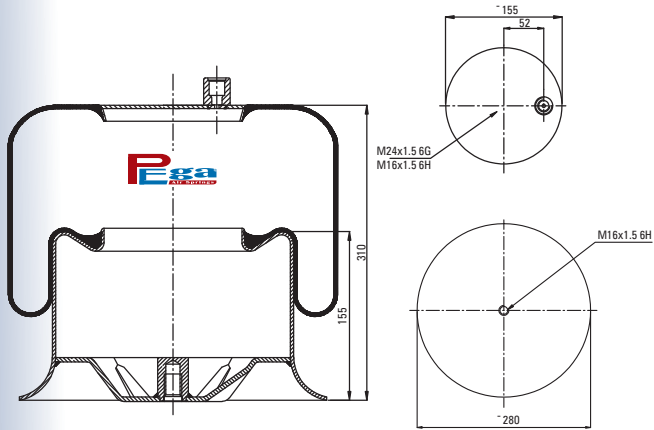
Cross References		OE Part No
CONTITECH	4757 N P09	MERCEDES A 974 320 0417
FIRESTONE	1R7Z460305B	
	W01 M58 8522	
GOODYEAR	9520	
METAL PISTON VOSS 230		7,5 KG.

P10.4757.C21



Cross References		OE Part No
CONTITECH	4757 N P21	MERCEDES A 942 320 4321
METAL PISTON VOSS 232		9 KG.

P10.4757.C29



Cross References

CONTITECH 4757 N P29

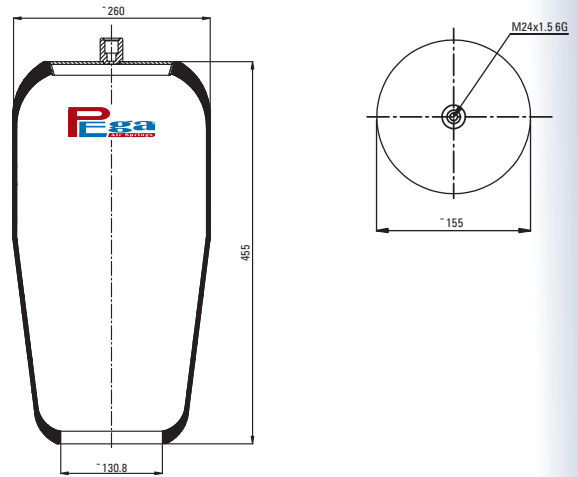
OE Part No

MERCEDES A 942 320 3221

METAL PISTON
VOSS 232

9 KG.

P10.4757.S1



Cross References

CONTITECH 4757 N1

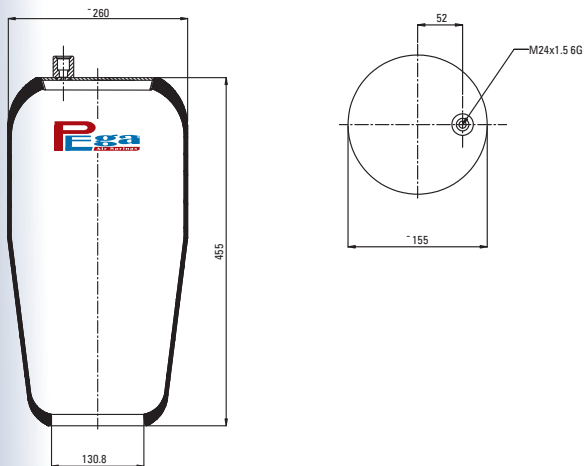
OE Part No

MERCEDES A 942 327 0001

SERVICE ASSEMBLY

3 KG.

P10.4757.S2



Cross References

CONTITECH 4757 N2

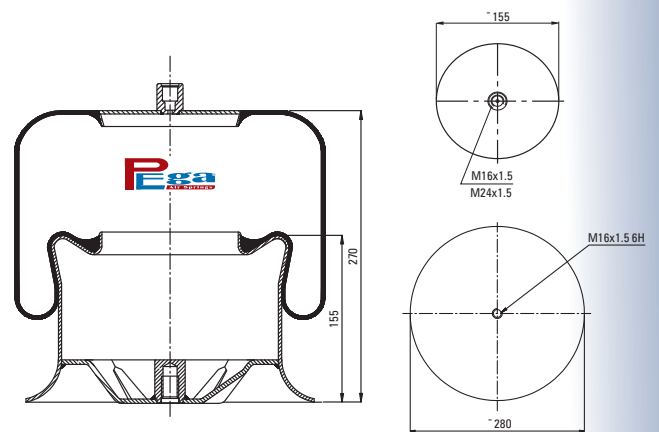
OE Part No

MERCEDES A 974 328 0001
MERCEDES A 974 328 0101

SERVICE ASSEMBLY

3 KG.

P10.4758.C01



Cross References

CONTITECH 4758 N P01

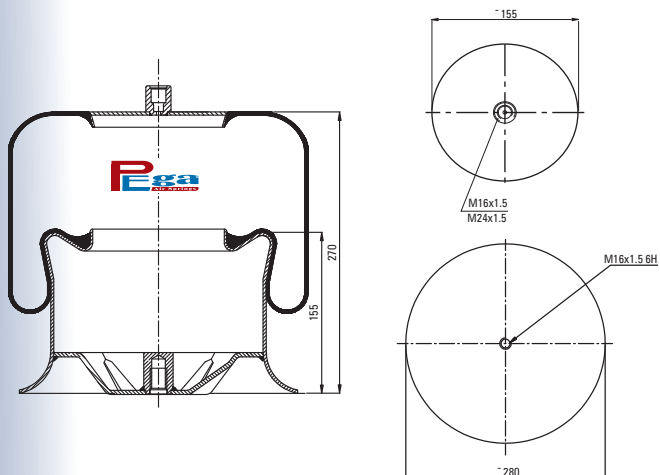
OE Part No

MERCEDES A 945 320 0017

METAL PISTON
VOSS 230

7,3 KG.

P10.4758.C21



Cross References

CONTITECH 4758 N P21

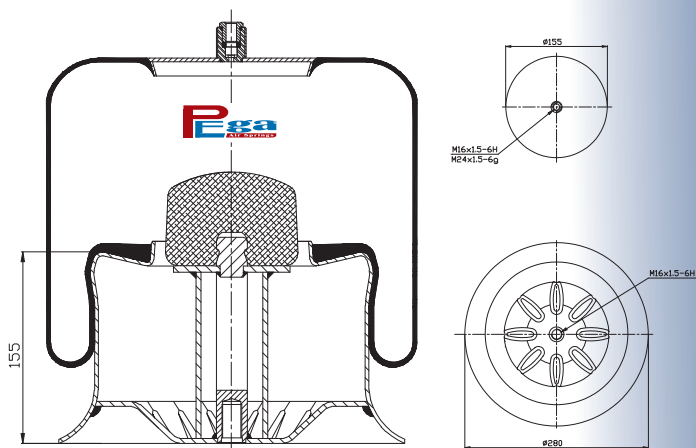
OE Part No

MERCEDES A 942 320 4821

METAL PISTON
VOSS 232

7,3 KG.

P10.4758.C23



Cross References

CONTITECH 4758 N P23

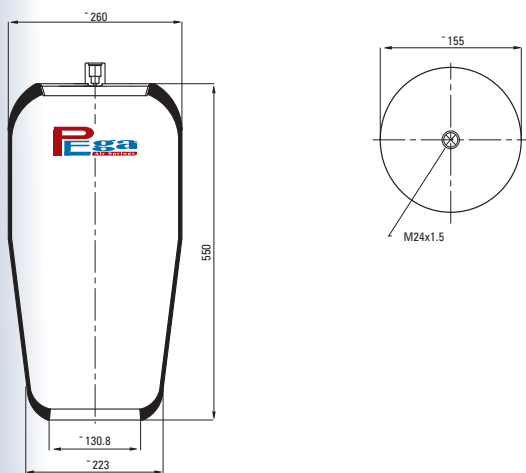
OE Part No

MERCEDES A 942 320 3321
A 942 320 0617

METAL PISTON
VOSS 232

8 KG.

P10.4758.S1



Cross References

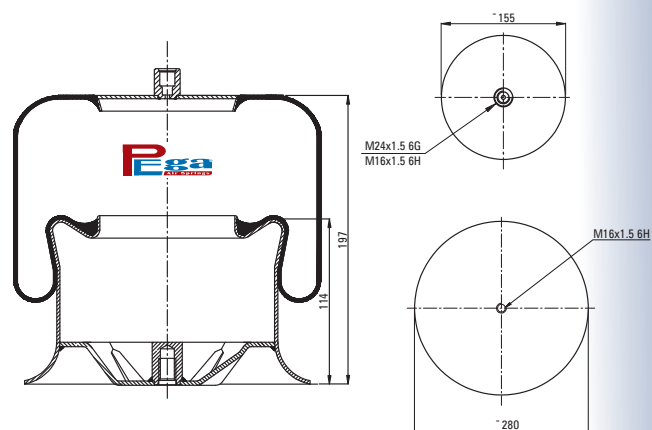
CONTITECH 4758 N

OE Part No

SERVICE ASSEMBLY

3,2 KG

P10.4759.C01



Cross References

CONTITECH 4759 N P01

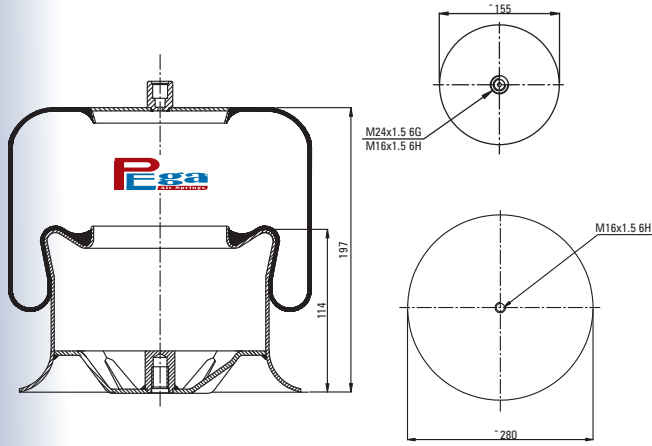
OE Part No

MERCEDES A 942 320 0217

METAL PISTON
VOSS 230

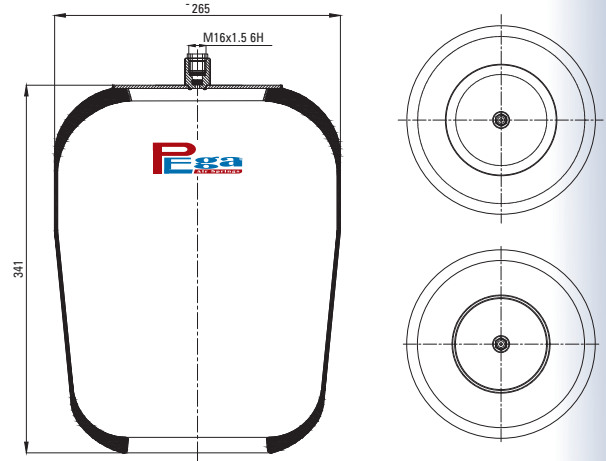
7 KG.

P10.4759.C21



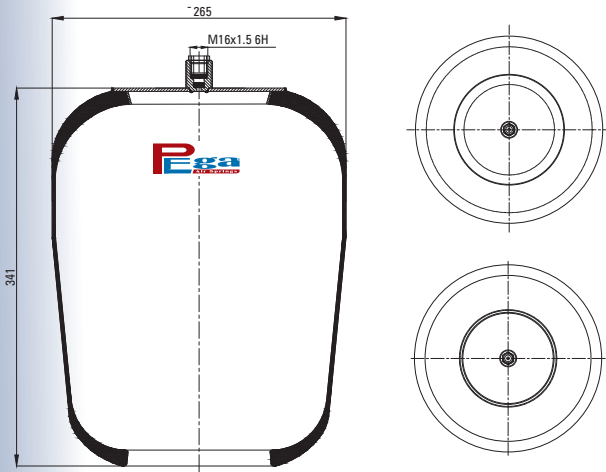
Cross References		OE Part No	
CONTITECH	4759 N P21	MERCEDES	A 942 320 4421
METAL PISTON VOSS 232			
7 KG.			

P10.4759.S01



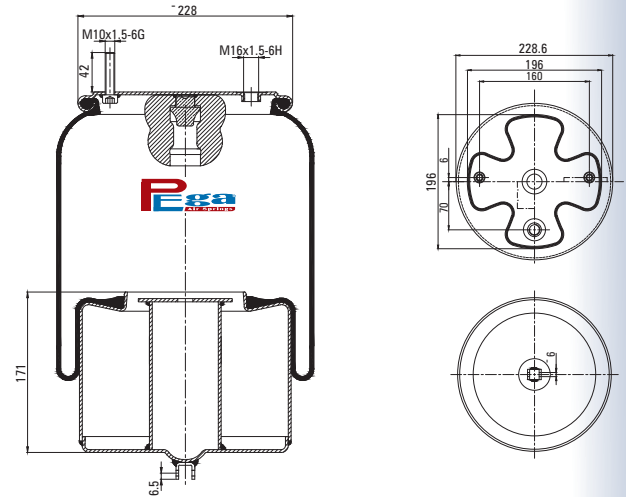
Cross References		OE Part No	
CONTITECH	4759 N	MERCEDES	A 942 327 0401
SERVICE ASSEMBLY VOSS 230			
2,5 KG.			

P10.4759.S02



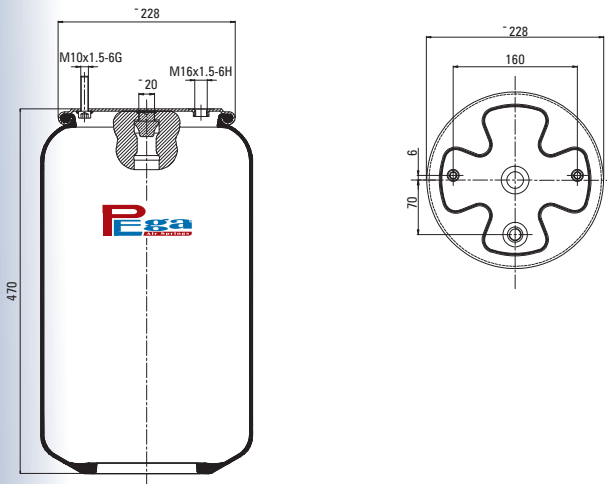
Cross References		OE Part No	
SERVICE ASSEMBLY VOSS 232			
2,5 KG.			

P10.4760.C



Cross References		OE Part No	
CONTITECH	6612 N P01	VOLVO	20554760
		VOLVO	20580705
		VOLVO	21961472
METAL PISTON			
8,5 KG.			

P10.4760.S



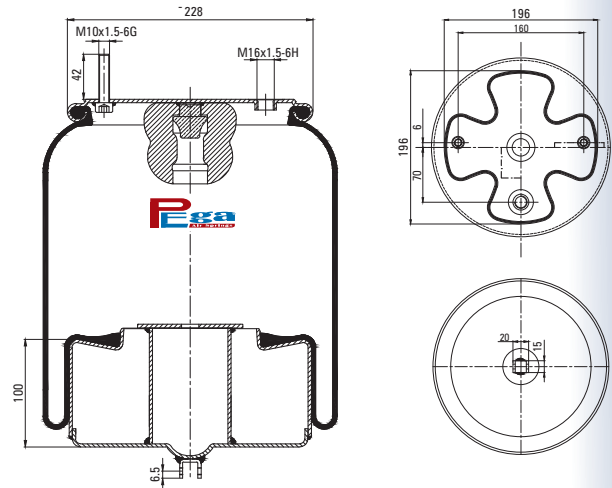
Cross References

OE Part No

SERVICE ASSEMBLY

4,5 KG.

P10.4762.C



Cross References

OE Part No

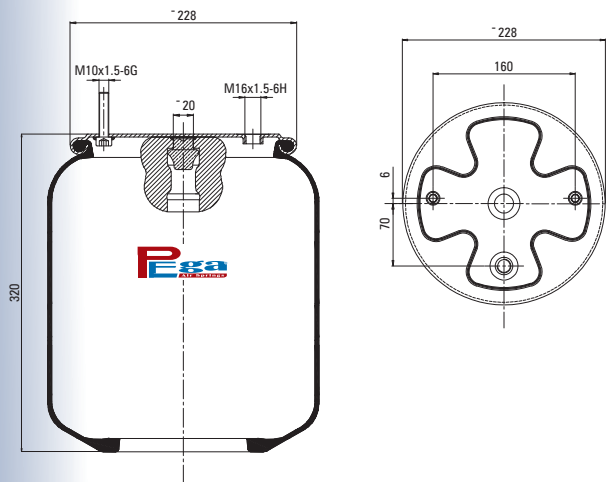
CONTITECH 6613 N P01

VOLVO 20 554 762
VOLVO 204 798 02
VOLVO 204 521 38

METAL PISTON

6,8 KG.

P10.4762.S



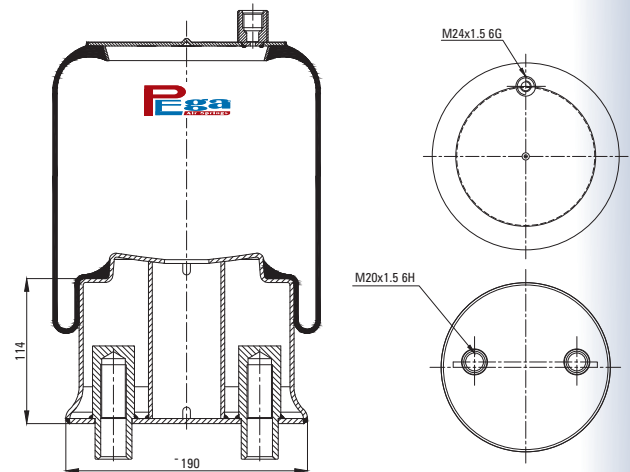
Cross References

OE Part No

SERVICE ASSEMBLY

3,5 KG.

P10.4786.C



Cross References

OE Part No

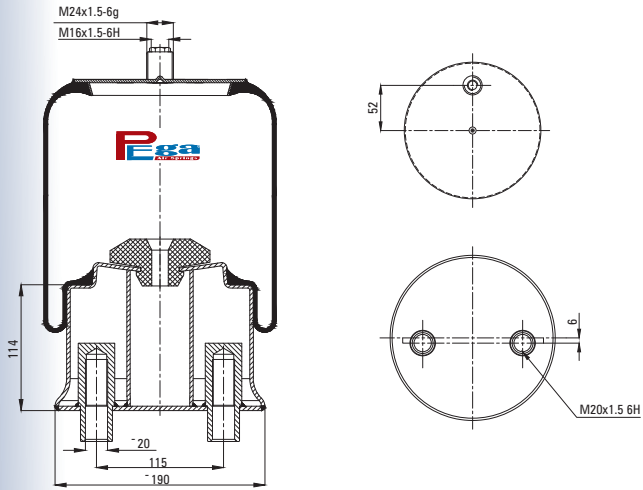
CONTITECH 4786 N P01

DC A 974 320 01 17

METAL PISTON
VOSS 230

7,7 KG.

P10.4786.C21



Cross References

CONTITECH 4876 N P21

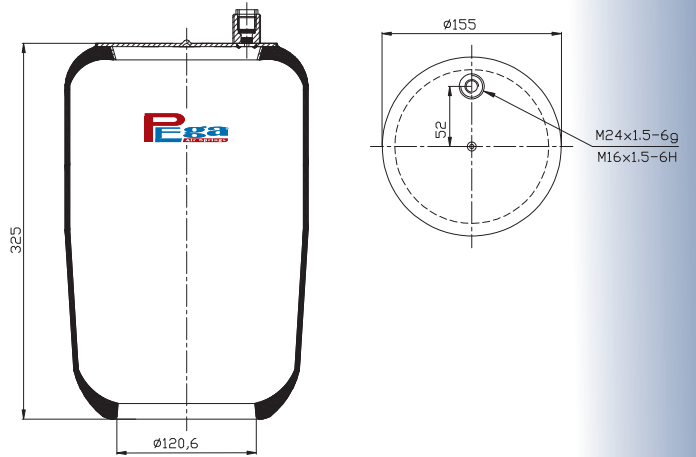
OE Part No

DC A 942 320 45 21

METAL PISTON
VOSS 232

7,8 KG.

P10.4786.S



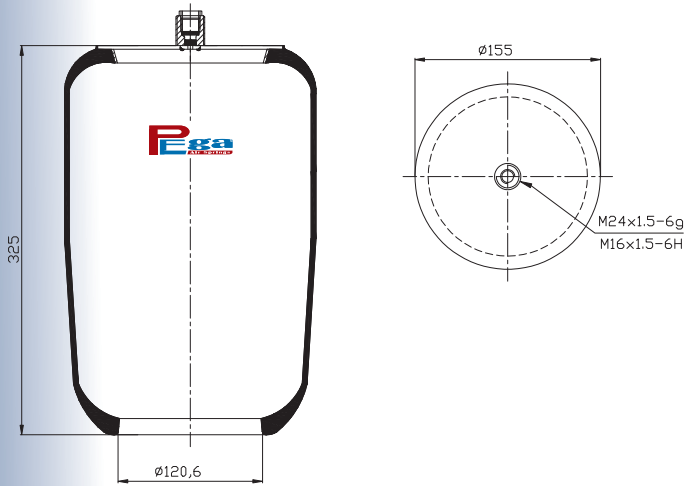
Cross References

SERVICE ASSEMBLY

OE Part No

2 KG

P10.4786.SA



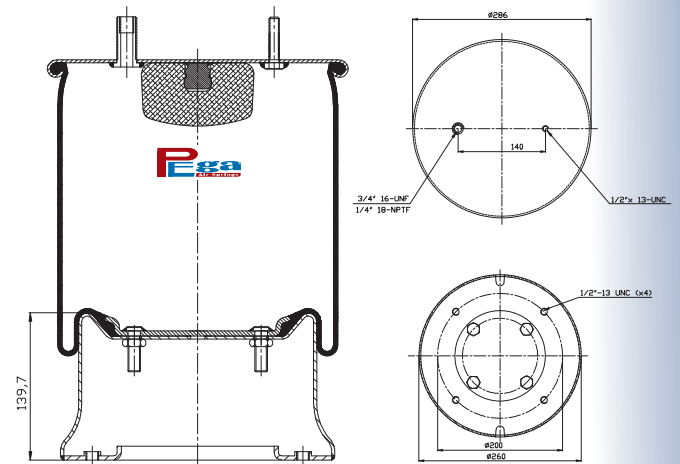
Cross References

SERVICE ASSEMBLY

OE Part No

2 KG.

P10.4810.C03



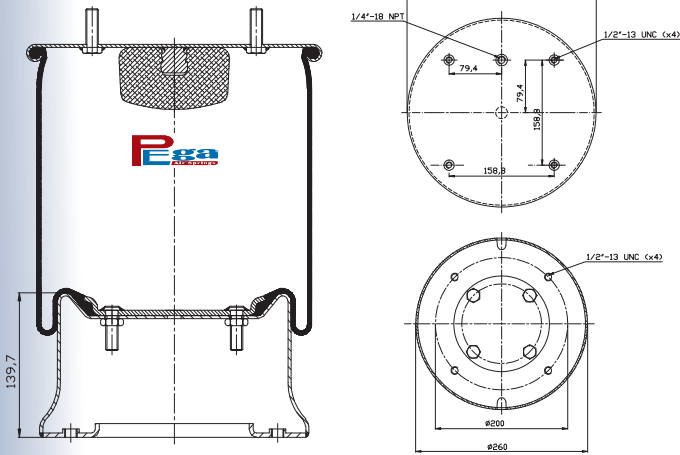
Cross References

METAL PISTON

OE Part No

12 KG.

P10.4810.C04



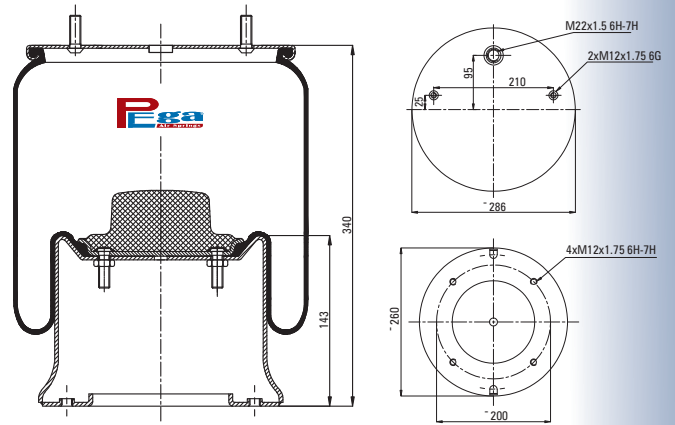
Cross References	
CONTITECH	4810 N P04
FIRESTONE	1T19L-7
	W01 358 9177

OE Part No	
HENDRICKSON	S2065
SAF HOLLAND	90557003

METAL PISTON

12 KG.

P10.4810.C05



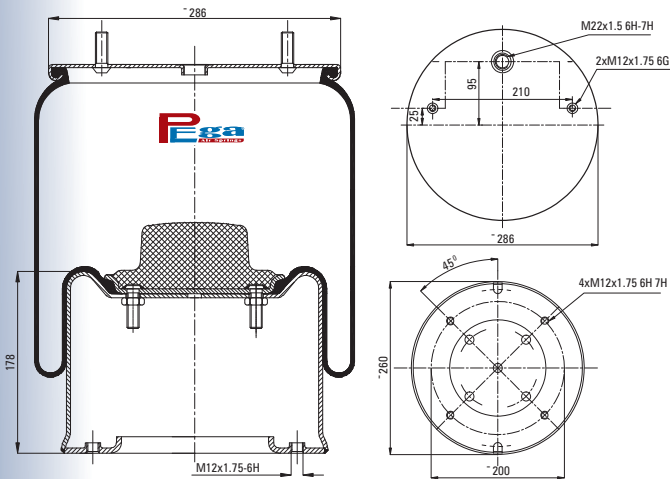
Cross References	
CONTITECH	4810 N P05
FIRESTONE	1T19L-7
	W01 M58 6338
GOODYEAR	1R14-730
DUNLOP	D13B25
CF GOMMA	1T19 E-1 205456
PHOENIX	1 D 28 A-10
TAURUS	KR 621-18

OE Part No	
SAF HOLLAND	3 229 0027 00
SAF HOLLAND	3 229 2127 00
SAF HOLLAND	3 229 2227 00
	2918 V E1,2 BOLTS

METAL PISTON

12 KG.

P10.4810.C06



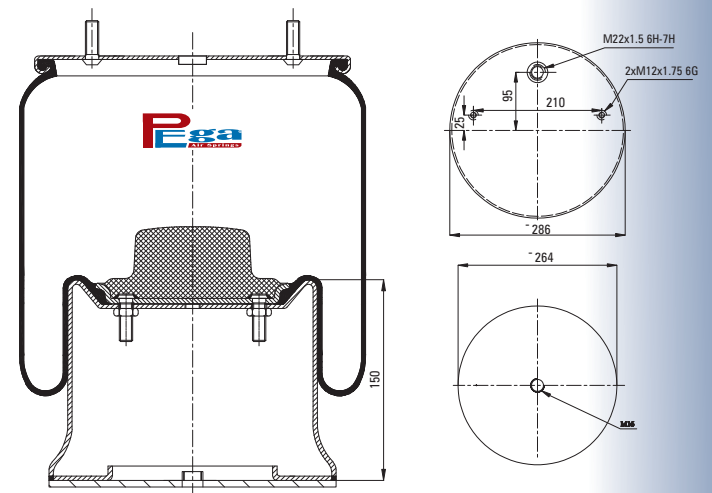
Cross References	
CONTITECH	4810 N P06

OE Part No	
SAF HOLLAND	3229000236

METAL PISTON

12 KG.

P10.4810.C08



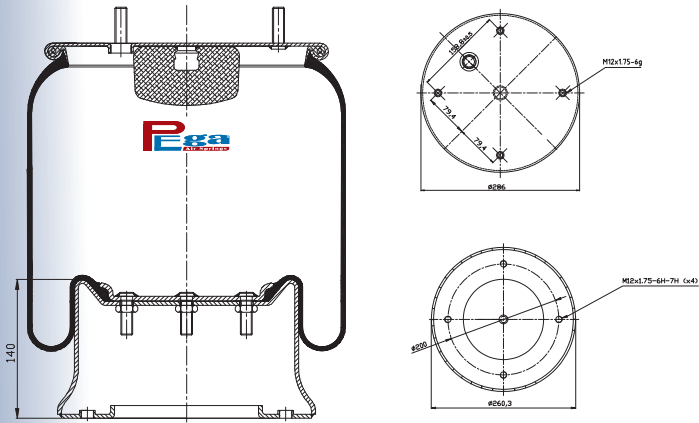
Cross References	
CONTITECH	4810 N P08

OE Part No	
SAF HOLLAND	3 228 1027 00

METAL PISTON

16 KG.

P10.4810.C66



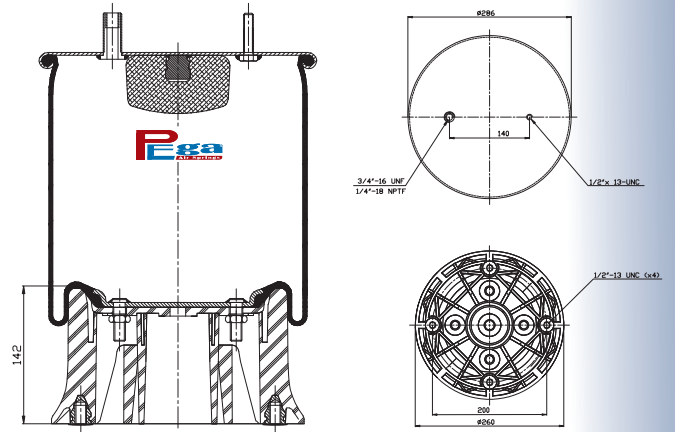
Cross References

OE Part No

METAL PISTON

12 KG.

P10.4810.CP03



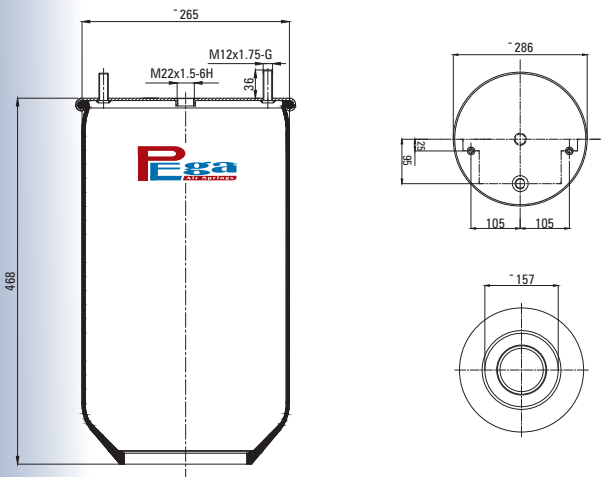
Cross References

OE Part No

PLASTIC PISTON

9 KG.

P10.4810.S



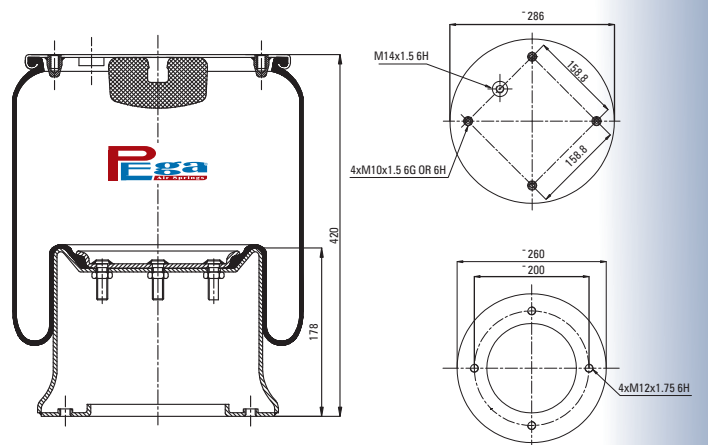
Cross References

OE Part No

SERVICE ASSEMBLY

5 KG.

P10.4813.C07



Cross References

OE Part No

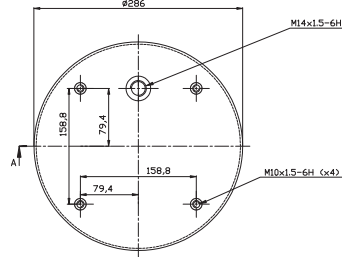
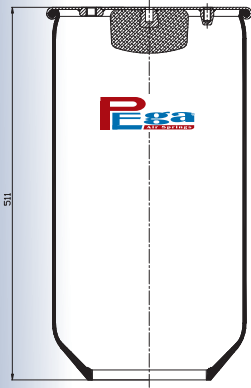
CONTITECH	4813 N P07
FIRESTONE	1T19L-11
	W01 M58 7358
GOODYEAR	1R14-727
DUNLOP	D13B10
DUNLOP	D13B22
PHOENIX	1 D 28 B-9

SCANIA	1107674
SCANIA	1314906
SCANIA	1865755
SCANIA	255293
SCANIA	255295
SCANIA	298568
SCANIA	325748

METAL PISTON

11,5 KG.

P10.4813.S



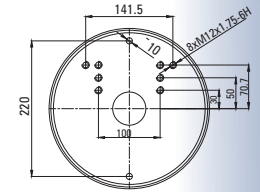
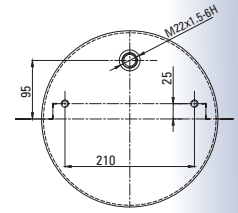
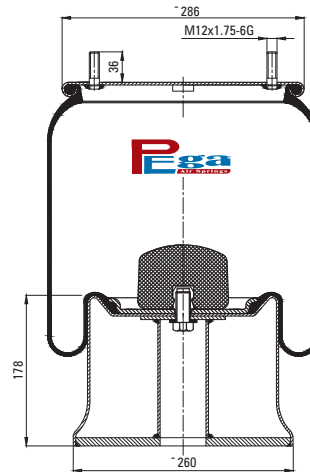
Cross References

OE Part No

SERVICE ASSEMBLY

5,5 KG.

P10.4823.C



Cross References

OE Part No

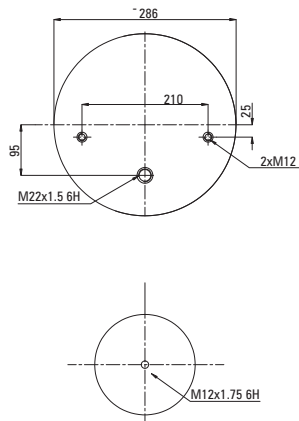
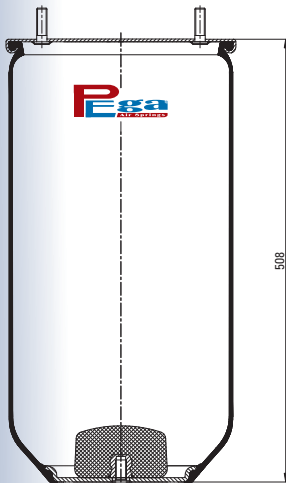
GOODYEAR 1R14-823
 FIRESTONE 1T19L-11
 W01 M58 6223
 VIBRACOUSTIC V1DK28F-3
 PHOENIX 1DK28F-3

DISCOS MERCEDES A 946 328 15 01
 WEWELER US04030P
 SCHMITZ S015323

METAL PISTON

14 KG.

P10.4823.S



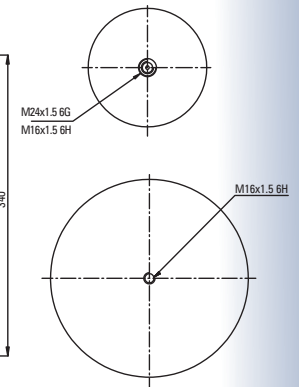
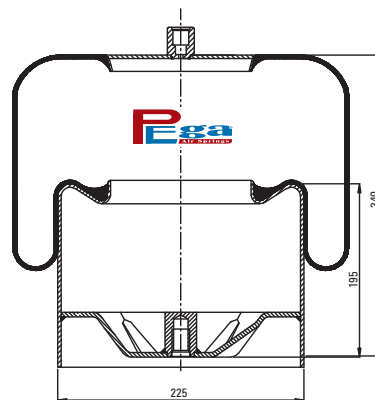
Cross References

OE Part No

SERVICE ASSEMBLY

4,5 KG.

P10.4838.C01



Cross References

OE Part No

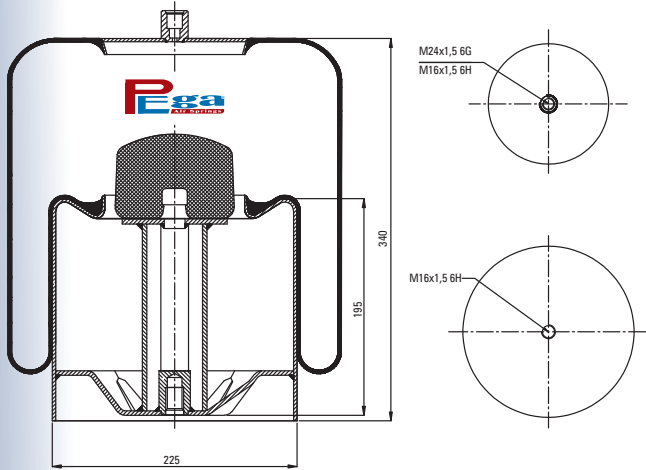
CONTITECH 4838 N P01
 FIRESTONE 1R7Z595330A
 W01 M58 8512

MERCEDES A 946 320 0421

METAL PISTON
 VOSS 230

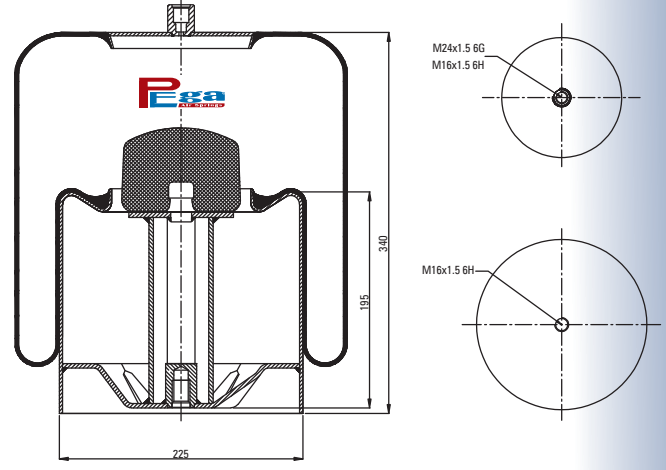
8,2 KG.

P10.4838.C02



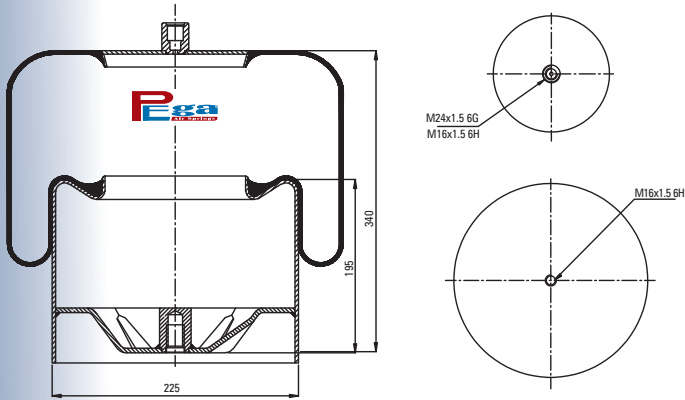
Cross References		OE Part No	
CONTITECH	4838 N P02	MERCEDES	A 946 320 0221
METAL PISTON VOSS 230			
		10 KG.	

P10.4838.C03



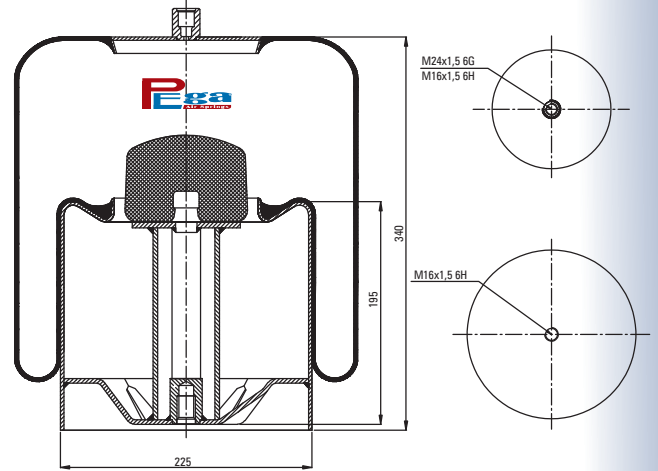
Cross References		OE Part No	
CONTITECH	4838 N P03	MERCEDES	A 946 320 0121
METAL PISTON VOSS 232			
		10 KG.	

P10.4838.C21



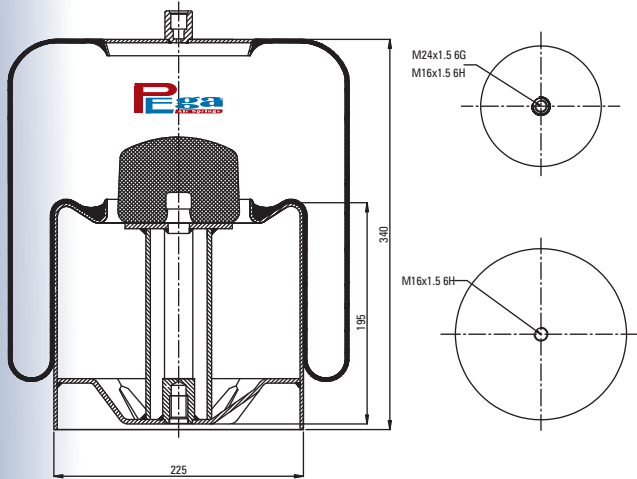
Cross References		OE Part No	
CONTITECH	4838 N P21	MERCEDES	A 942 320 3821
FIRESTONE	1R7Z595330A W01 M58 8512		
METAL PISTON VOSS 232			
		9 KG.	

P10.4838.C22



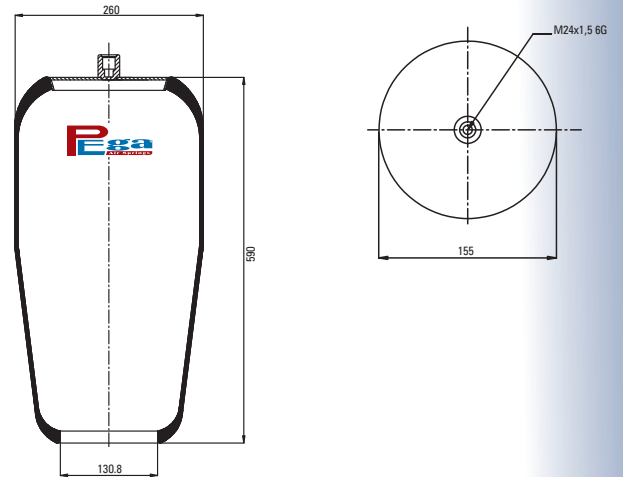
Cross References		OE Part No	
CONTITECH	4838.N P22	MERCEDES	A 942 320 3621
METAL PISTON VOSS 232			
		10 KG.	

P10.4838.C23



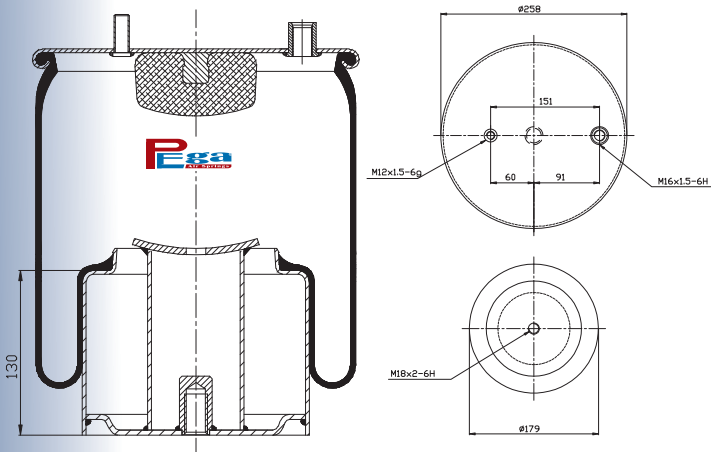
Cross References		OE Part No	
CONTITECH	4838 N P23	MERCEDES	A 942 320 3521
METAL PISTON VOSS 232		11 KG.	

P10.4838.S1



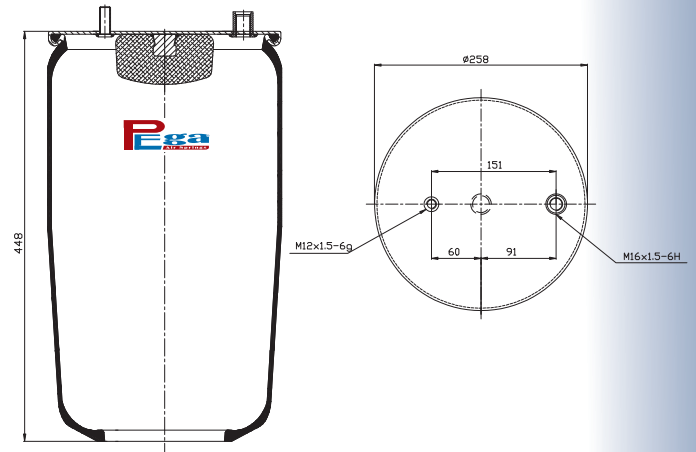
Cross References		OE Part No	
CONTITECH	4838 N1		
SERVICE ASSEMBLY		3 KG.	

P10.4862.C02



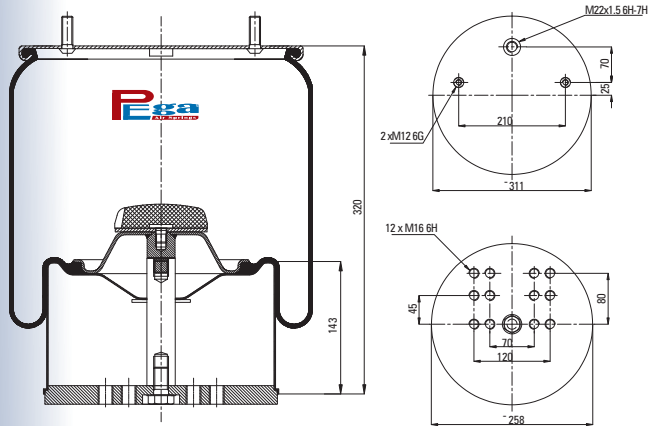
Cross References		OE Part No	
CONTITECH	4862 N1 P02	MAN	81 43600 6049
VIBRACOUSTIC	V1 DF 16 B-1		
METAL PISTON		8 KG.	

P10.4862.S01



Cross References		OE Part No	
CONTITECH	4862 N1 P01	MAN	81 43601 0168
VIBRACOUSTIC	V1DF16 B-1NP		
SERVICE ASSEMBLY		4,1 KG.	

P10.4881.C

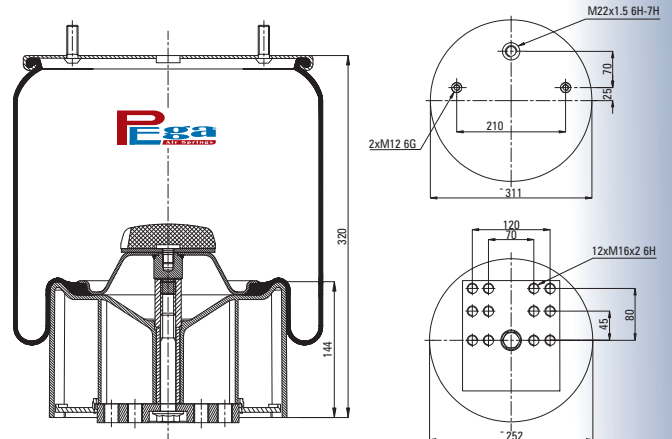


Cross References		OE Part No	
CONTITECH	4881 MB	BPW	05 429 41 22 1
FIRESTONE	1T66F-7.0		36 K
	W01 M58 8602		
GOODYEAR	1R14-724		
PHOENIX	1 DK 32 K-1		
DUNLOP	D14B37		

METAL PISTON

16 KG.

P10.4881.CP

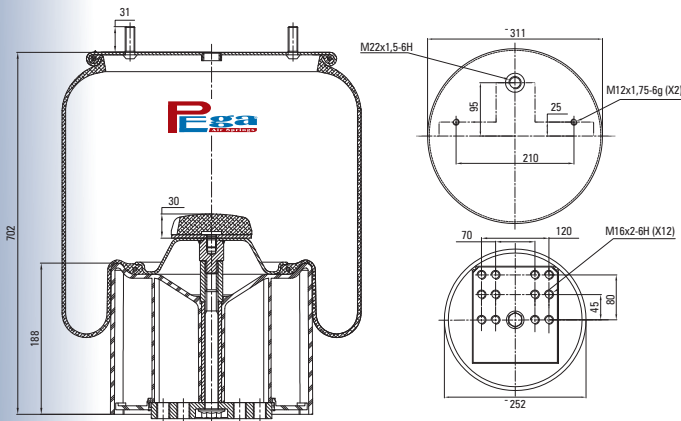


Cross References		OE Part No	
CONTITECH	4881 MB	BPW	05 429 43 51 0
FIRESTONE	1T66F-7.0		36
	W01 M58 8666		
GOODYEAR	1R14-748		

PLASTIC PISTON

12 KG.

P10.4881.CP01

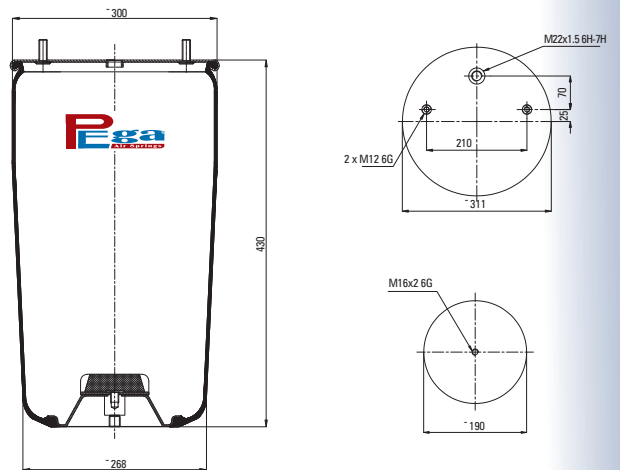


Cross References		OE Part No	

PLASTIC PISTON

12,5 KG.

P10.4881.S02

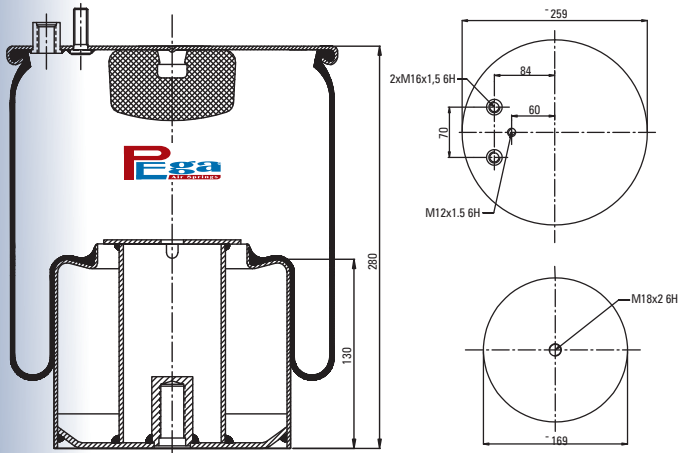


Cross References		OE Part No	
CONTITECH	4881 N P02	BPW	05 429 41 01 0
FIRESTONE	1T66F-7.0	SCHMITZ	750 570
	W01 M58 8601		
PHOENIX	1 DK 32 K		
DUNLOP	D14U37		
GOODYEAR	1R14-701		

SERVICE ASSEMBLY

6 KG.

P10.4882.C05



Cross References

CONTITECH 4882 N1 P05
 FIRESTONE 1T17JR7.2
 W01 M58 9879

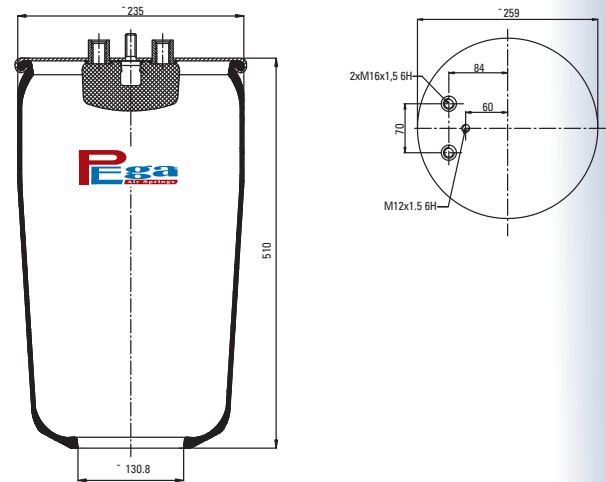
OE Part No

MAN 81 43600 6036

METAL PISTON

8 KG.

P10.4882.S02



Cross References

CONTITECH 4882 N1 P01
 GOODYEAR 1R10-701

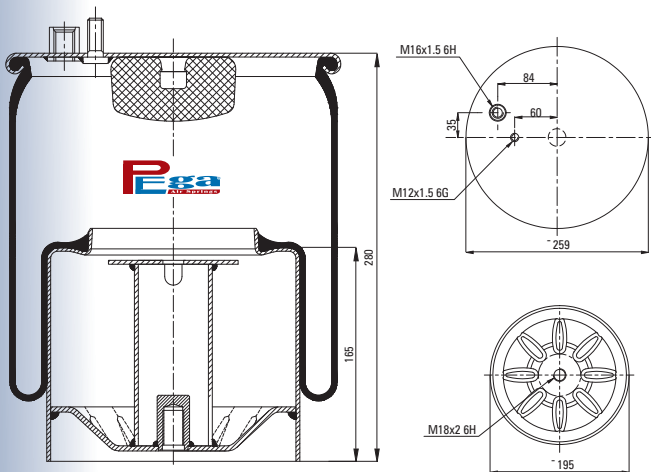
OE Part No

MAN 81 43601 0151

SERVICE ASSEMBLY

4 KG.

P10.4883.C05



Cross References

CONTITECH 4883 N1 P06

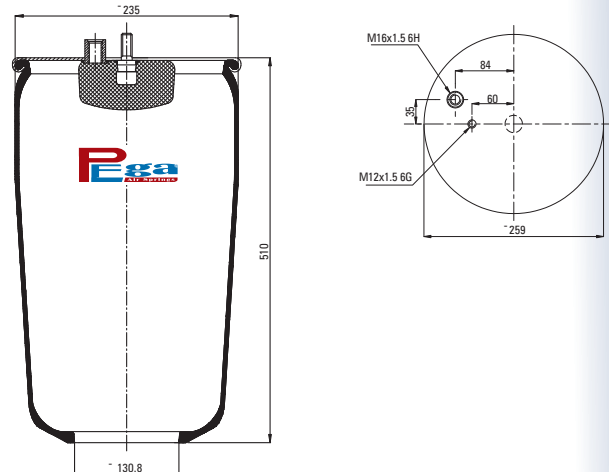
OE Part No

MAN 81 43600 6037

METAL PISTON

4 KG.

P10.4883.S02



Cross References

CONTITECH 4883 N1 P01

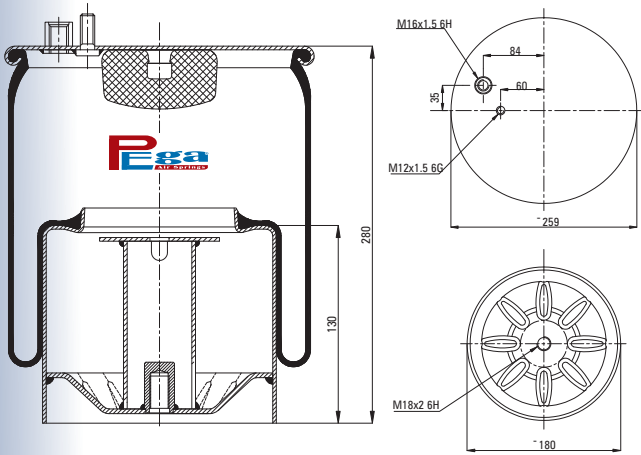
OE Part No

MAN 81 43601 0153

SERVICE ASSEMBLY

4 KG.

P10.4884.C06



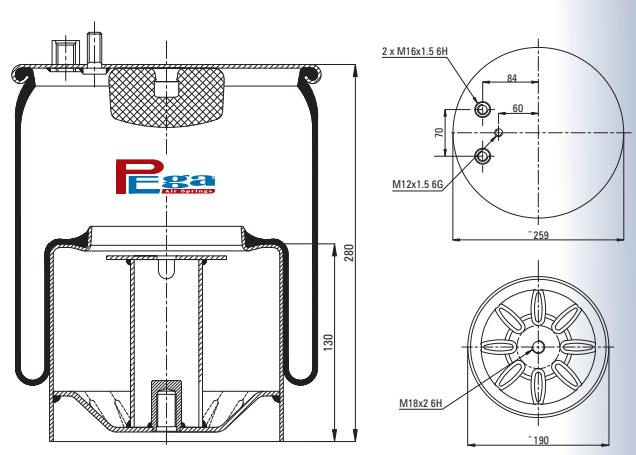
Cross References	
CONTITECH	4884 N1 P06
FIRESTONE	1T17TWR8.0
	W01 M58 9880

OE Part No	
MAN	81 43600 6035

METAL PISTON

10 KG.

P10.4884.C07



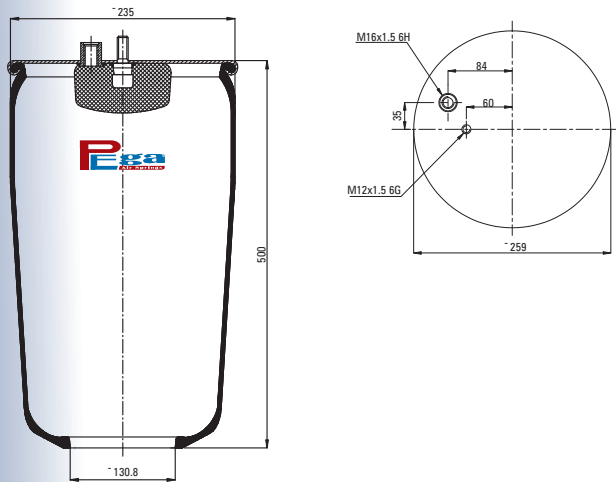
Cross References	
CONTITECH	4884 N1 P07

OE Part No	
MAN	81 43600 6041

METAL PISTON

9 KG.

P10.4884.S01



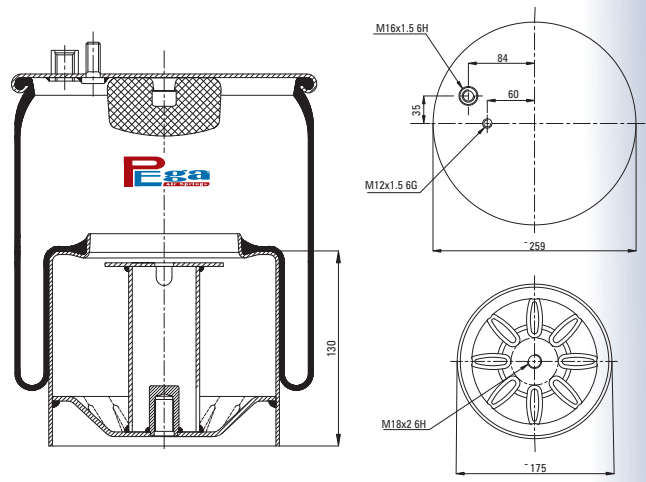
Cross References	
CONTITECH	4884 N1 P01

OE Part No	
MAN	81 43601 0152
MAN	81 43601 0174

SERVICE ASSEMBLY

5 KG.

P10.4885.C02



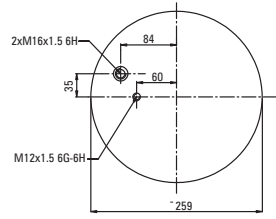
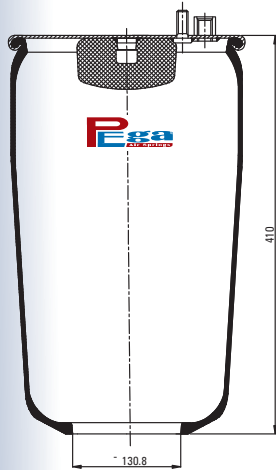
Cross References	
CONTITECH	4885 N1 P02

OE Part No	
MAN	81 43600 6044

METAL PISTON

8,5 KG.

P10.4885.S01



Cross References

CONTITECH	4885 N1 P01
-----------	-------------

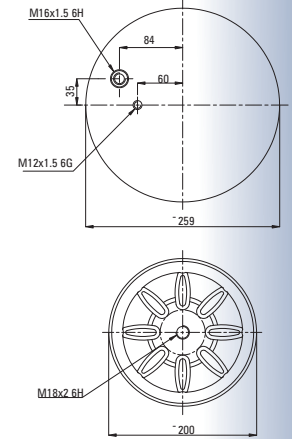
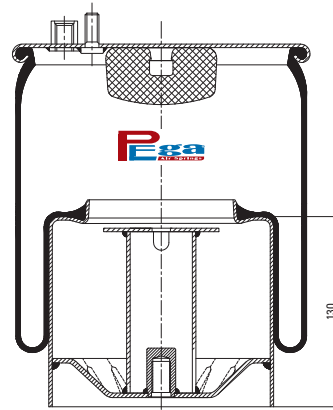
OE Part No

MAN	81 43601 0160
MAN	81 43601 6071

SERVICE ASSEMBLY

4,5 KG.

P10.4886.C01



Cross References

CONTITECH	4886 N P01
-----------	------------

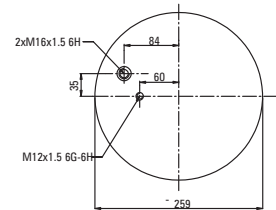
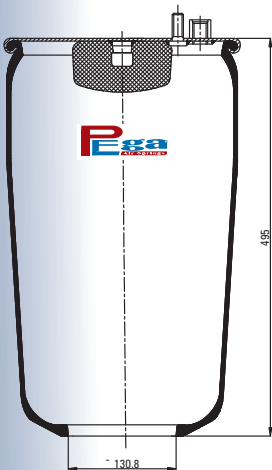
OE Part No

MAN	81 43600 6046
-----	---------------

METAL PISTON

8,5 KG.

P10.4886.S01



Cross References

CONTITECH	4886 N P01
-----------	------------

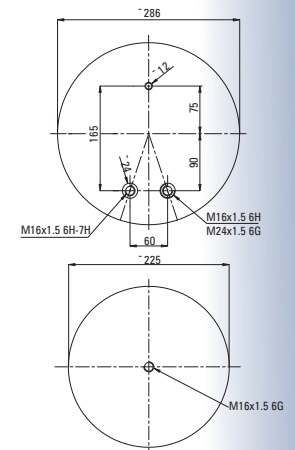
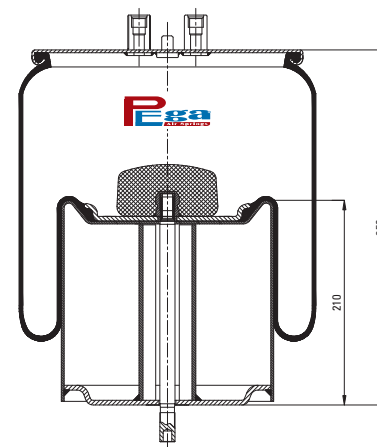
OE Part No

--	--

SERVICE ASSEMBLY

5 KG.

P10.4911.C03



Cross References

CONTITECH	4911 N P03
GOODYEAR	1R13-739
DUNLOP	D13 B96

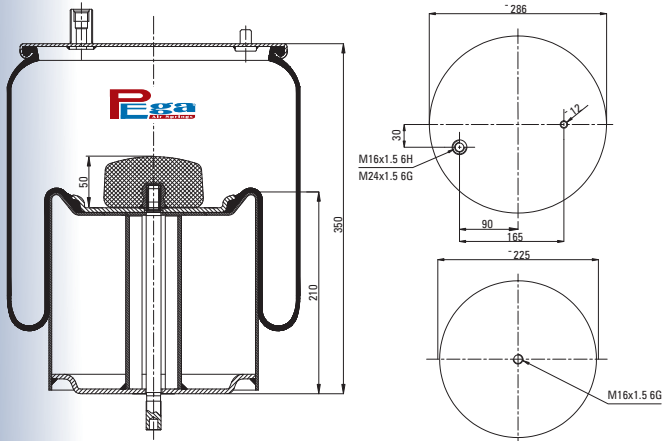
OE Part No

RENAULT	5010 294 308 C
---------	----------------

METAL PISTON

13,5 KG.

P10.4911.C04



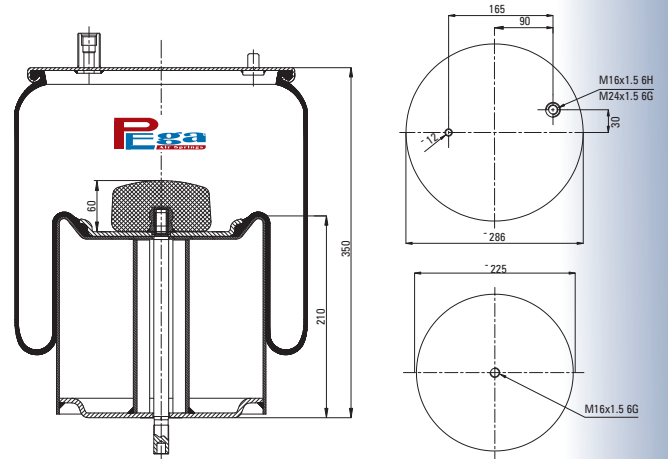
Cross References	
CONTITECH	4911 N P04

OE Part No	
RENAULT	5010 557 356

METAL PISTON

13,5 KG.

P10.4911.C06



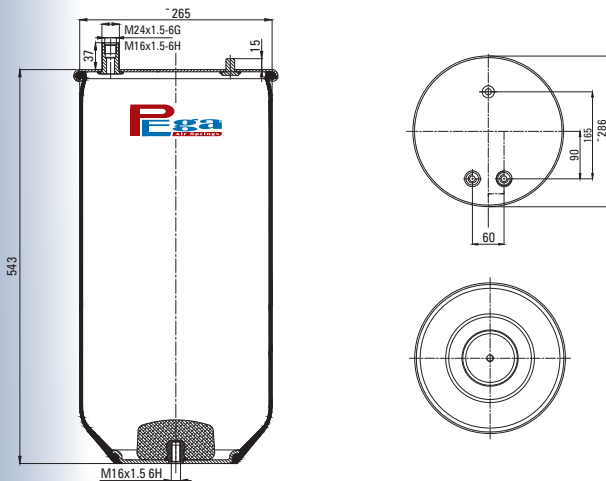
Cross References	
CONTITECH	4911 N P06

OE Part No	
RENAULT	5010 600 439
VOLVO	20 726 769

METAL PISTON

13,5 KG.

P10.4911.S02



Cross References	
CONTITECH	4911 N P02
GOODYEAR	1R13-715

OE Part No	
------------	--

SERVICE ASSEMBLY

9,5 KG.

P10.4911.S04



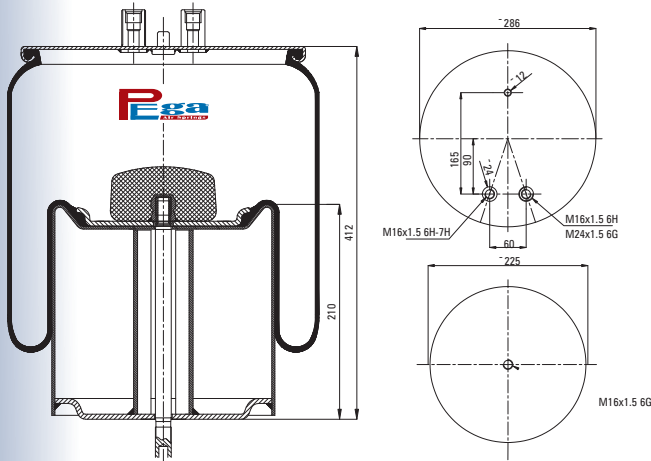
Cross References	
------------------	--

OE Part No	
------------	--

SERVICE ASSEMBLY

9,5 KG.

P10.4912.C07



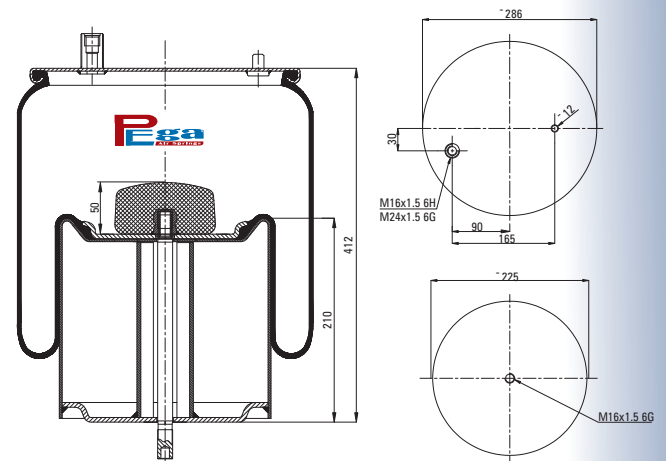
Cross References	
CONTITECH	4912 N P07
FIRESTONE	1T19L-14
	W01 M58 8766
GOODYEAR	1R13-738
PHOENIX	1 DK 28 F-3
DUNLOP	D13B45

OE Part No	
RENAULT	5010 294 307 C

METAL PISTON

13 KG.

P10.4912.C10



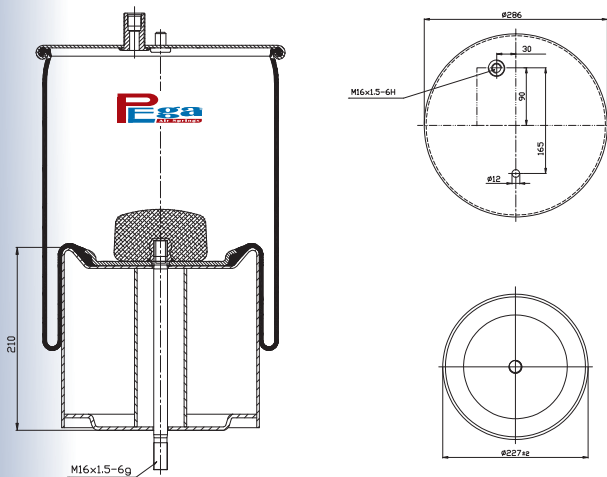
Cross References	
CONTITECH	4912 N P10

OE Part No	
RENAULT	5010 557 355
VOLVO	20 722 412

METAL PISTON

13,5 KG.

P10.4912.C13



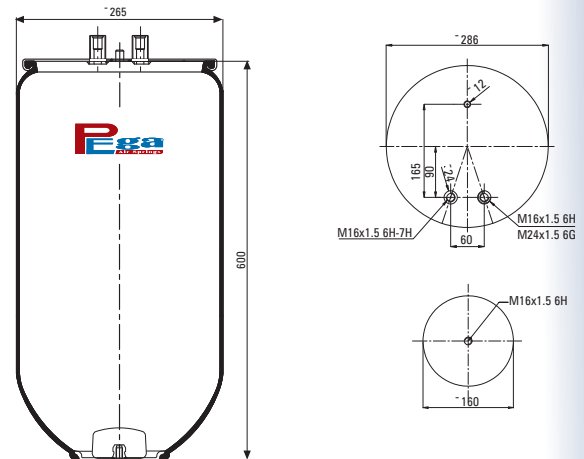
Cross References	
CONTITECH	4912 N P13

OE Part No	
RENAULT	5010 600 328

METAL PISTON

13,5 KG.

P10.4912.S08



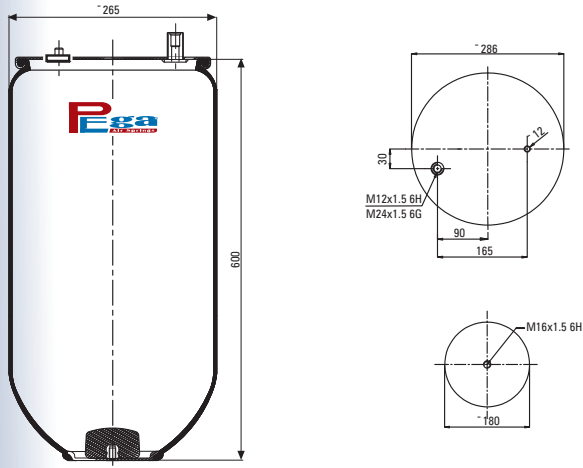
Cross References	
CONTITECH	4912 N P08
GOODYEAR	1R13-713
SPRINGRIDE	D13U40
CF GOMMA	1T19F-4 206780

OE Part No	
RENAULT	5001 832 067

SERVICE ASSEMBLY

6,5 KG.

P10.4912.S10



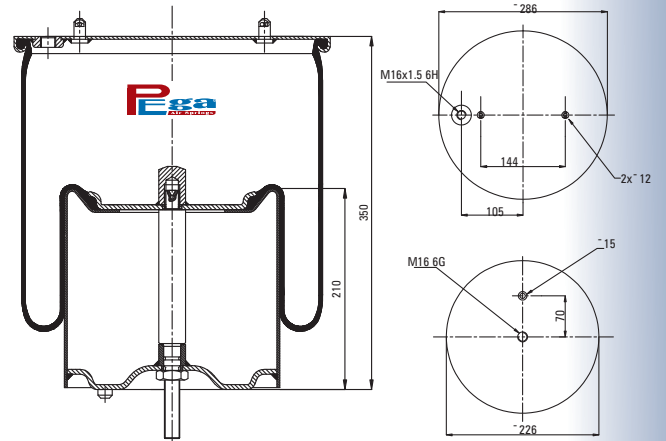
Cross References

OE Part No

SERVICE ASSEMBLY

6,5 KG.

P10.4913.C02



Cross References

OE Part No

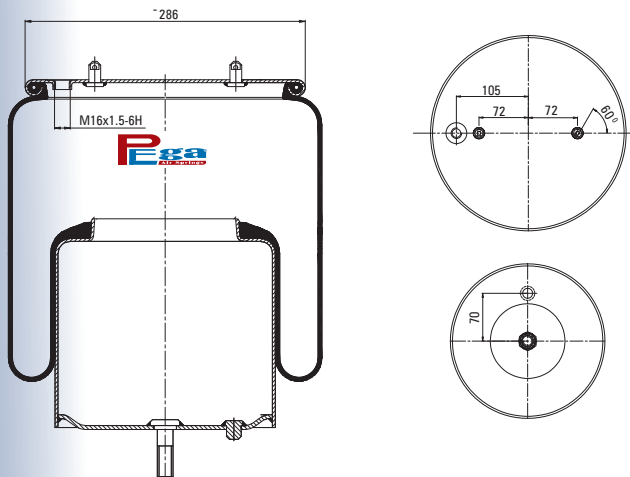
CONTITECH 4913 N P02
 FIRESTONE 1T19L-14
 W01 095 0500
 GOODYEAR 1R14-753
 PHOENIX 1 D 28 H-16
 TAURUS KR 625-16
 DUNLOP D14B42

SCANIA 1379392
 SCANIA 1440294

METAL PISTON

12 KG.

P10.4913.C10



Cross References

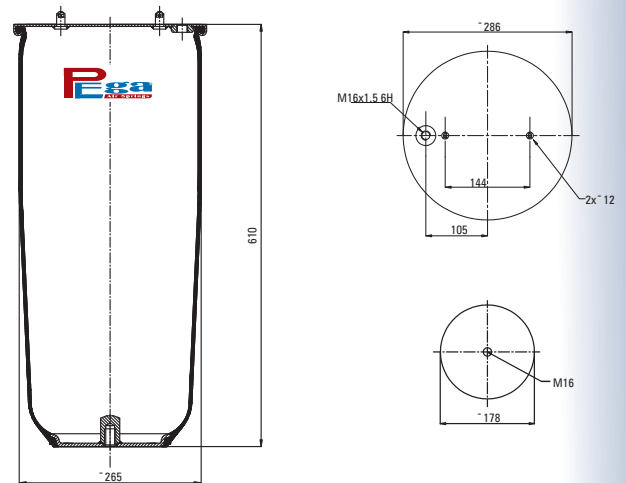
OE Part No

METAL PISTON

11 KG.

SCANIA 1510195

P10.4913.S04



Cross References

OE Part No

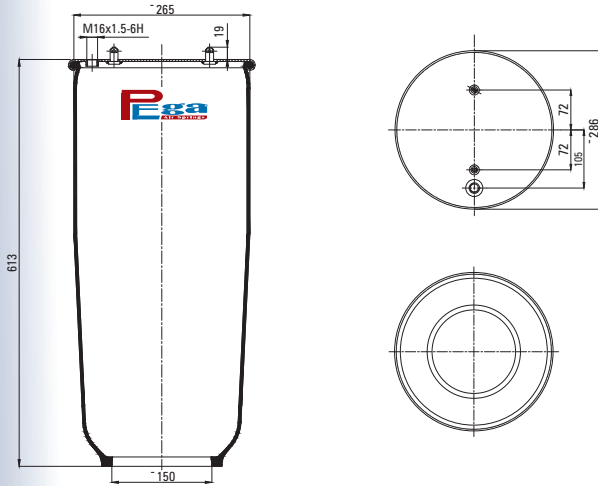
CONTITECH 4913 N P04
 FIRESTONE 1T19L-14
 W01 095 0365
 GOODYEAR 1R14-755
 PHOENIX 1 D 28 H-16 NP
 DUNLOP 1D14U42

SCANIA 1379393

SERVICE ASSEMBLY

8,5 KG.

P10.4913.S10



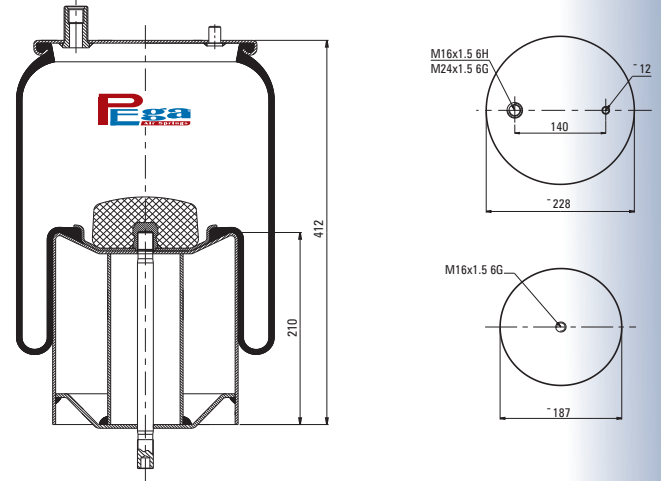
Cross References

OE Part No

SERVICE ASSEMBLY

8 KG.

P10.4915.C06



Cross References

OE Part No

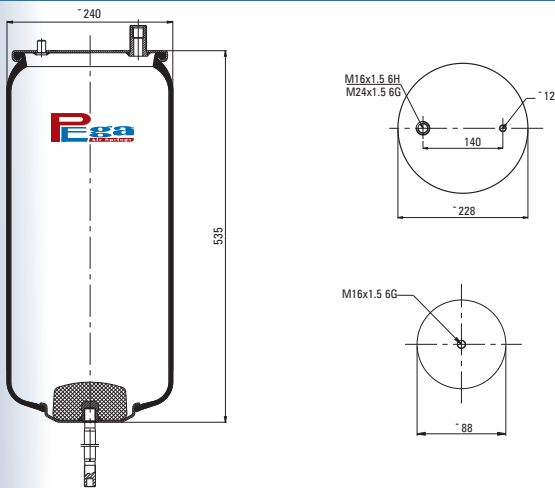
CONTITECH 4915 N P06

SAMRO H2501122
RENAULT 5010 294 309

METAL PISTON

11 KG.

P10.4915.S03



Cross References

OE Part No

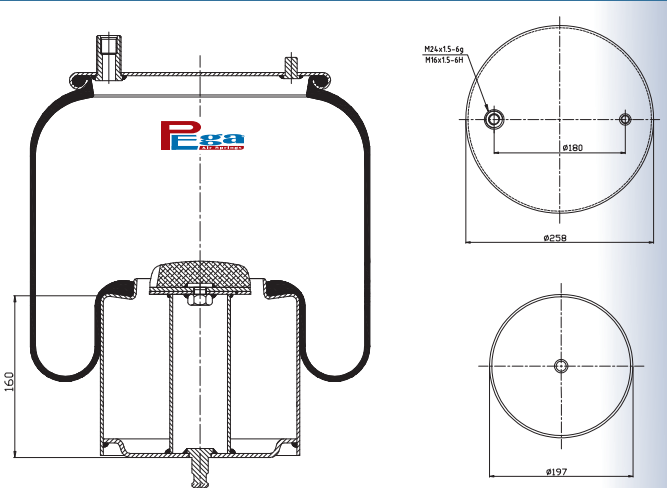
CONTITECH 4915 N P03

RENAULT 5001 855 856

SERVICE ASSEMBLY

5,5 KG.

P10.4919.C



Cross References

OE Part No

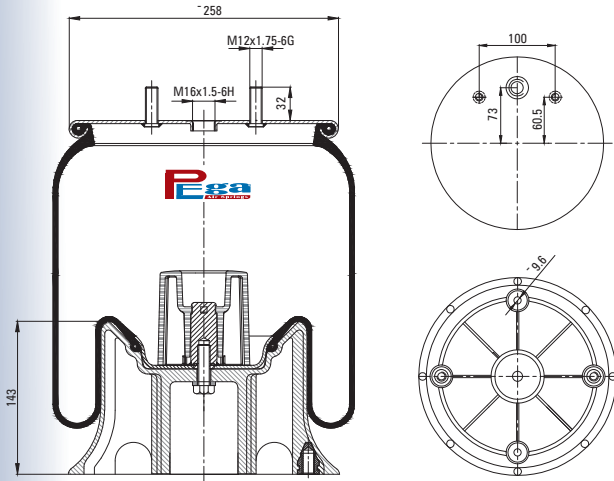
CONTITECH 4919 N P01

RENAULT 5010 557 622
RENAULT 5010 630 457
VOLVO 21978490
VOLVO 20735220
RENAULT 21978484

METAL PISTON

8,3 KG.

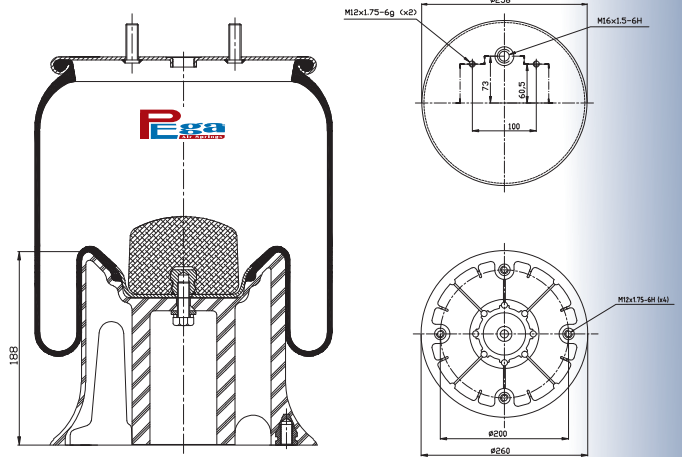
P10.4920.CP



Cross References		OE Part No	
CONTITECH	4920 N P01	RENAULT	5010 600 172

PLASTIC PISTON 6,5 KG.

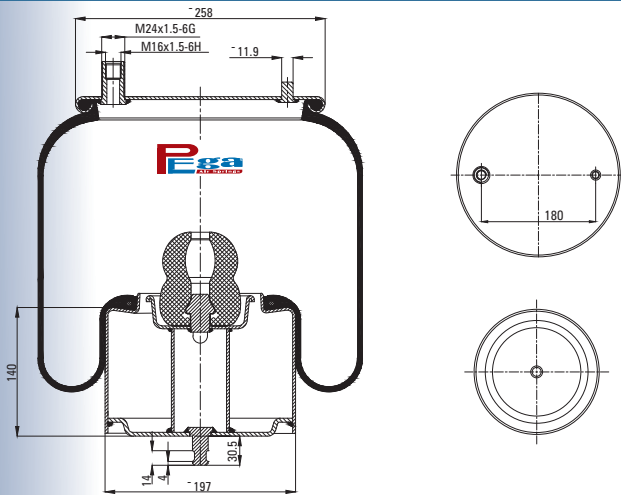
P10.4922.CP



Cross References		OE Part No	
CONTITECH	4922 MP	RENAULT	5010 600 262

PLASTIC PISTON 7,5 KG.

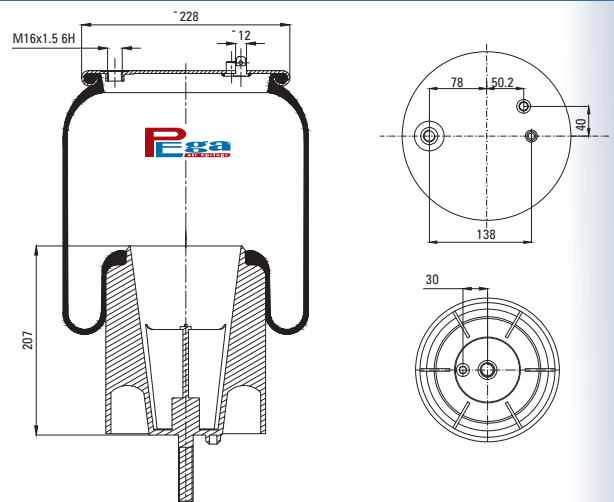
P10.4929.C



Cross References		OE Part No	
CONTITECH	4929 N P01 RT	RENAULT	7420 767 358

METAL PISTON 8 KG.

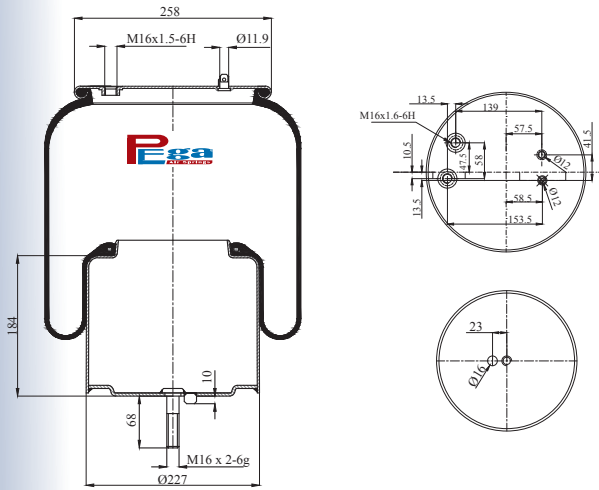
P10.4930.CP



Cross References		OE Part No	
FIRESTONE	1T15UR-9 W01 M58 8653	SCANIA	1434930

PLASTIC PISTON 8 KG.

P10.4933.C



Cross References

FIRESTONE 1T17HR-8
W01 M58 8633

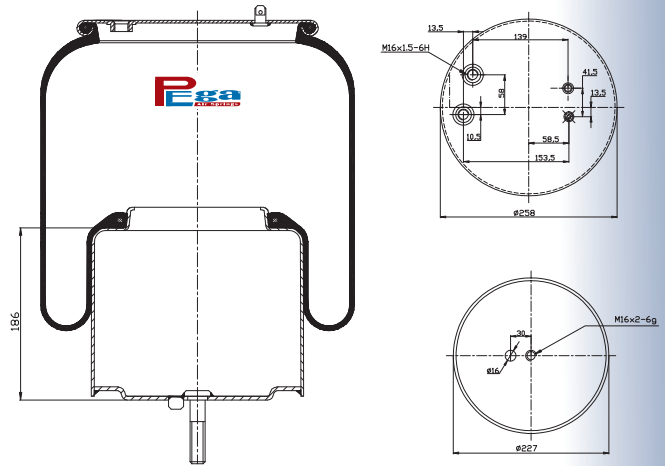
OE Part No

SCANIA 1434933

METAL PISTON

7 KG

P10.4933.C01



Cross References

FIRESTONE 1T17HR-8
W01 M58 8633

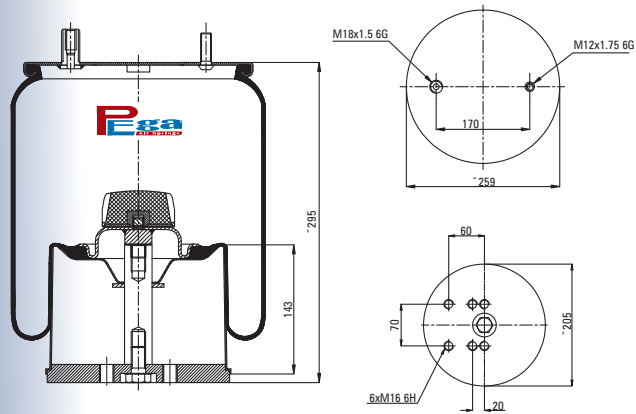
OE Part No

SCANIA 1434933

METAL PISTON

7 KG

P10.4940.C



Cross References

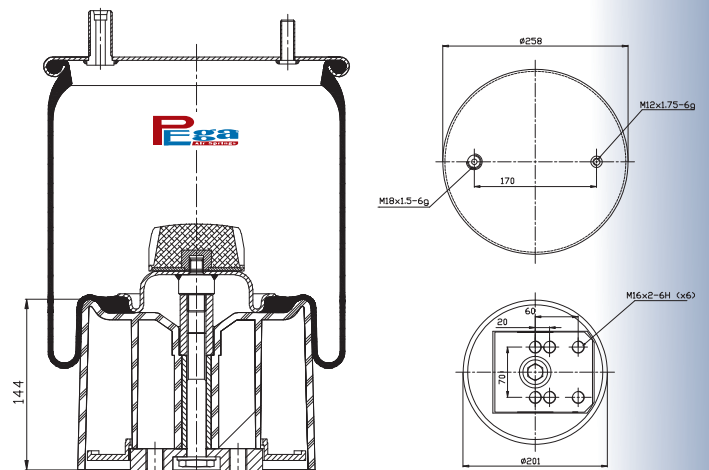
CONTITECH 4940 MB

OE Part No

METAL PISTON

11,5 KG.

P10.4940.CP



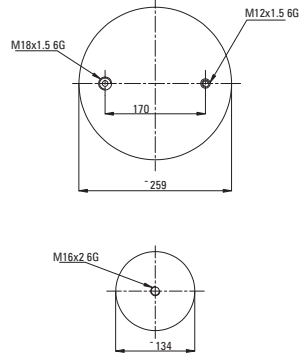
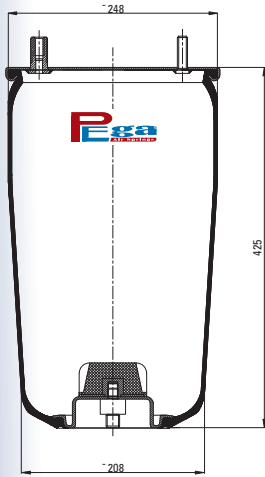
Cross References

PLASTIC PISTON

OE Part No

8,5 KG.

P10.4940.S02



Cross References

CONTITECH 4940 N P02

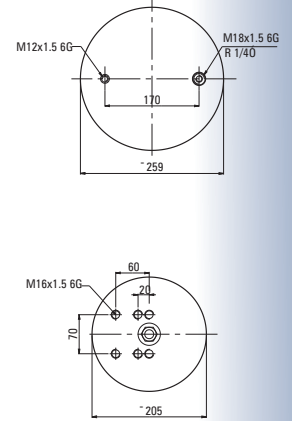
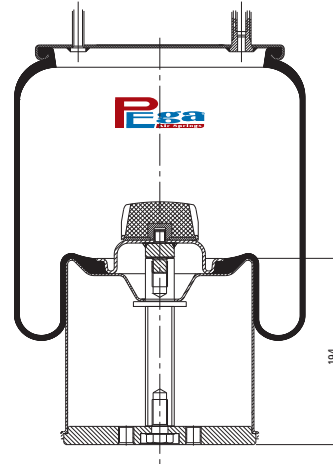
OE Part No

BPW 05 429 41 56 0
30 K

SERVICE ASSEMBLY

4,5 KG.

P10.4941.C



Cross References

CONTITECH 4941 MB

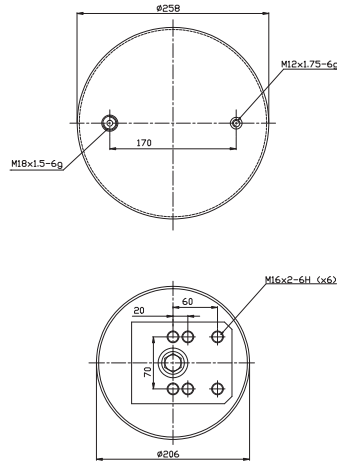
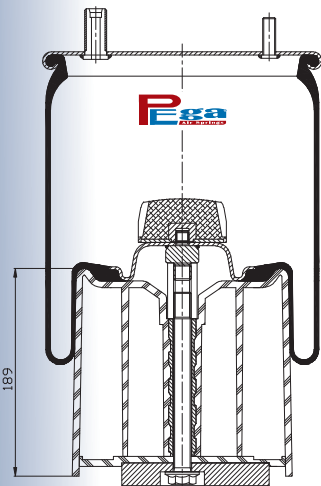
OE Part No

BPW 05 429 43 25 0

METAL PISTON

8 KG.

P10.4941.CP



Cross References

CONTITECH 4941 N P02

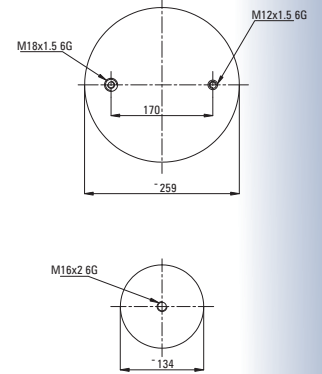
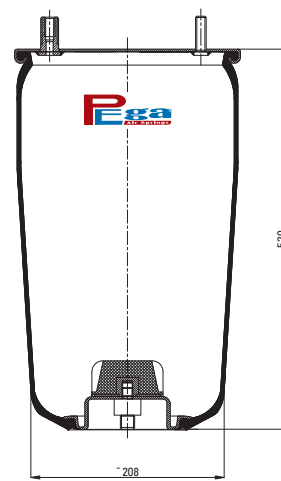
OE Part No

BPW 05 429 41 25 0
30

PLASTIC PISTON

9 KG.

P10.4941.S02



Cross References

CONTITECH 4941 N P02

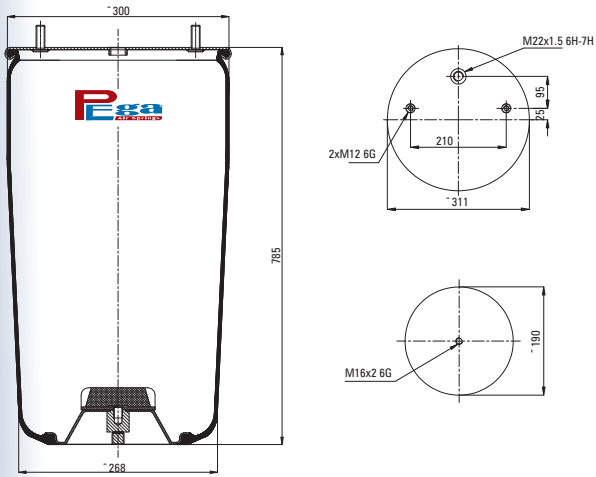
OE Part No

BPW 05 429 41 25 0
30

SERVICE ASSEMBLY

5 KG.

P10.4942.S02



Cross References

CONTITECH 4942 N P02

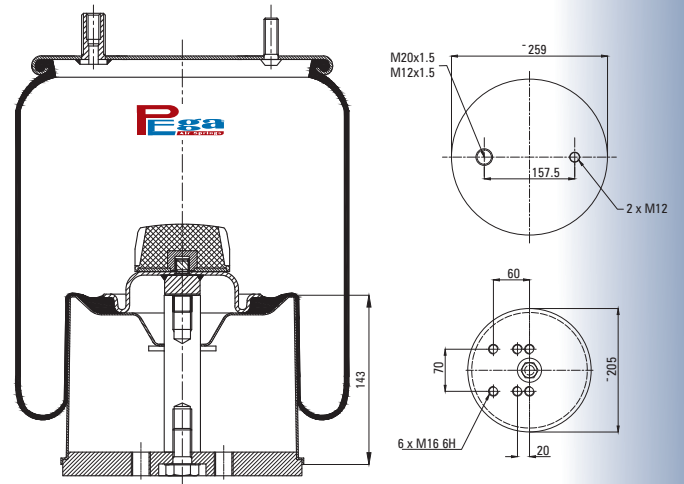
OE Part No

BPW 05 429 41 09 0
36-2

SERVICE ASSEMBLY

8 KG.

P10.4960.C



Cross References

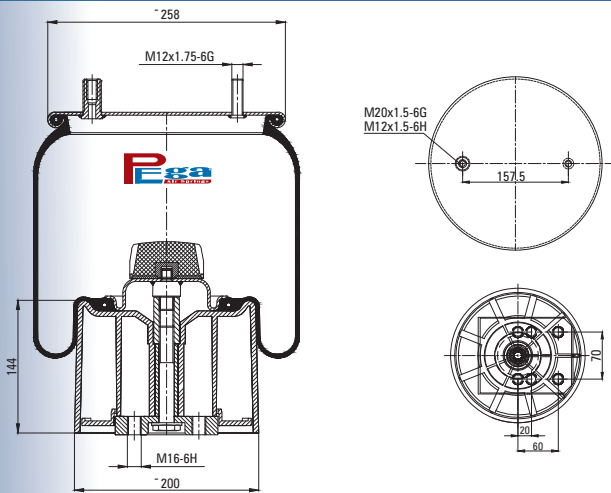
CONTITECH 4960 MB

OE Part No

METAL PISTON

12,5 KG.

P10.4960.CP



Cross References

CONTITECH 4960 MB

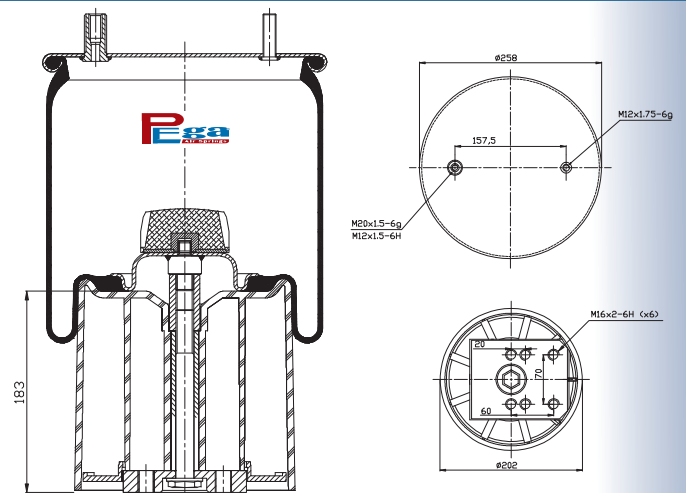
OE Part No

BPW 05 429 43 23 0

PLASTIC PISTON

11,5 KG.

P10.4960.CP01



Cross References

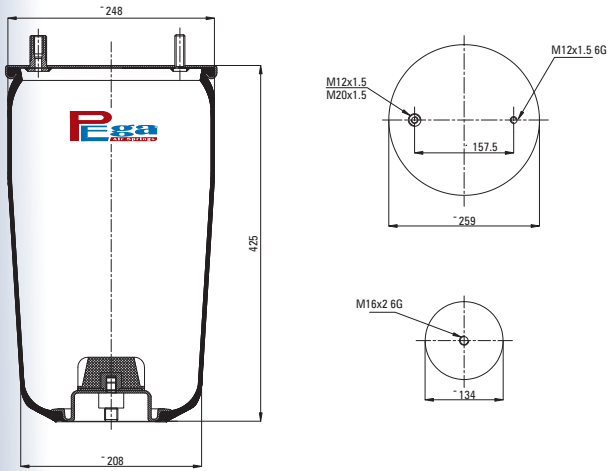
CONTITECH 4960 MB

OE Part No

PLASTIC PISTON

11,5 KG.

P10.4960.S02



Cross References

CONTITECH 4960 N P02

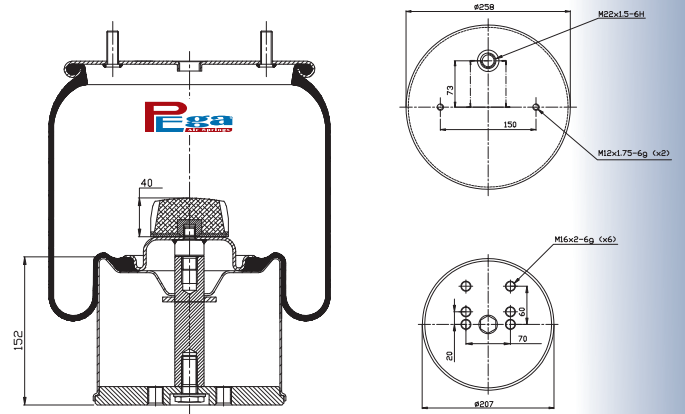
OE Part No

BPW 05 429 41 77 0

SERVICE ASSEMBLY

4,5 KG.

P10.4961.C



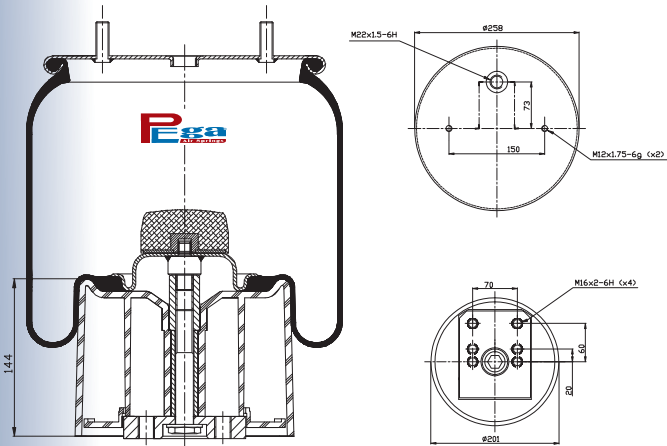
Cross References

OE Part No

METAL PISTON

12 KG

P10.4961.CP



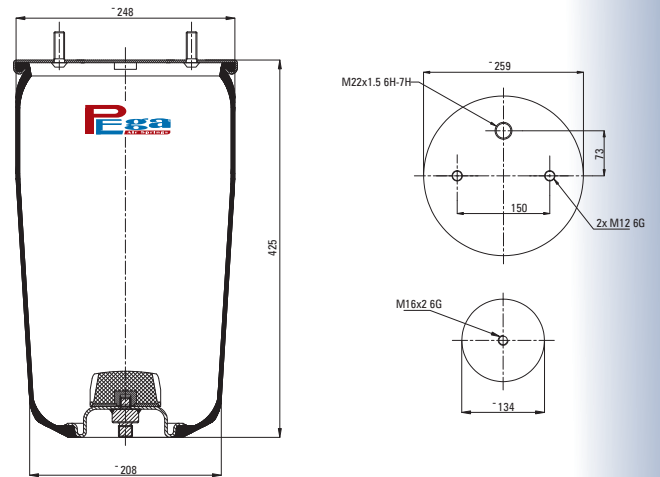
Cross References

OE Part No

PLASTIC PISTON

8,5 KG.

P10.4961.S02



Cross References

CONTITECH 4961 N P02

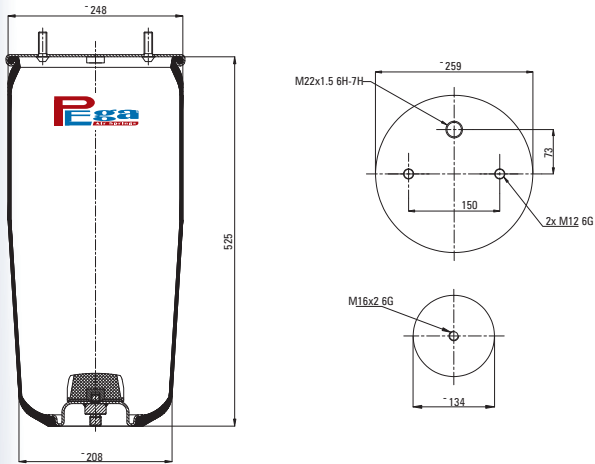
OE Part No

BPW 05 429 42 04 0

SERVICE ASSEMBLY

5 KG.

P10.4962.S02



Cross References

CONTITECH 4962 N P02

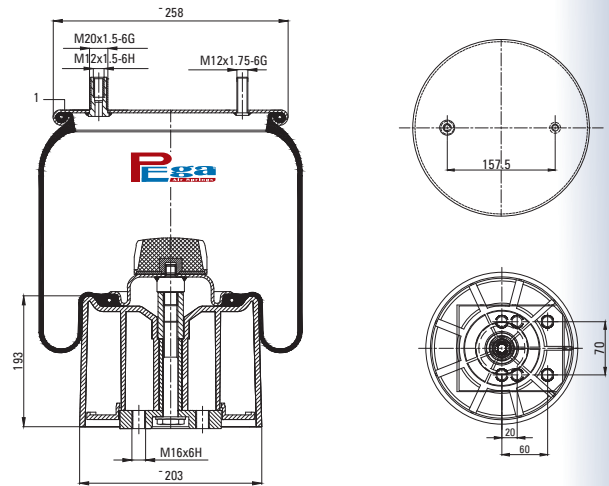
OE Part No

BPW 05 429 42 03 0

SERVICE ASSEMBLY

5 KG.

P10.4963.CP



Cross References

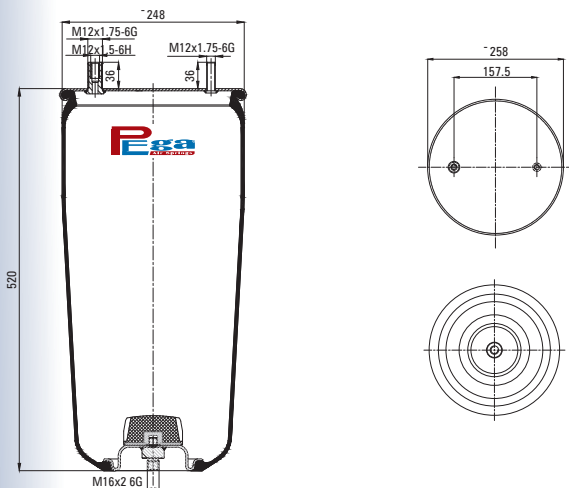
CONTITECH 4963 N P03

OE Part No

PLASTIC PISTON

11 KG.

P10.4963.S01



Cross References

CONTITECH 4963 N P01

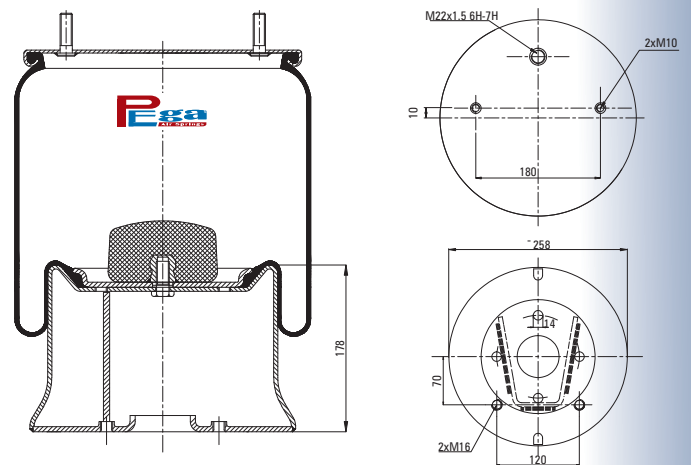
OE Part No

BPW 05 429 42 54 0

SERVICE ASSEMBLY

5,5 KG.

P10.50700.C



Cross References

FIRESTONE 1T19L-11
W01 M58 6361
DUNLOP D13B12
DUNLOP D13B18
GOODYEAR 1R14-706
PHOENIX 1 DK 28 B-7

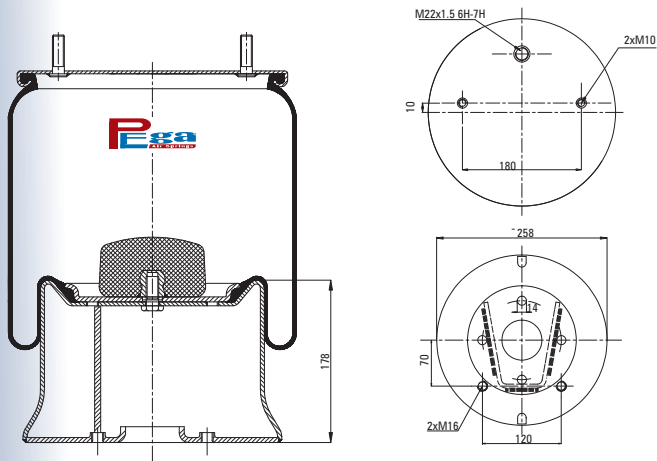
OE Part No

CARDI 58050700
BARTOLETTI 91619011
OMAR 11804
ROLFO 112060
VIBERTI 128147102
ZORZI 1006553

METAL PISTON

13 KG.

P10.50710.C



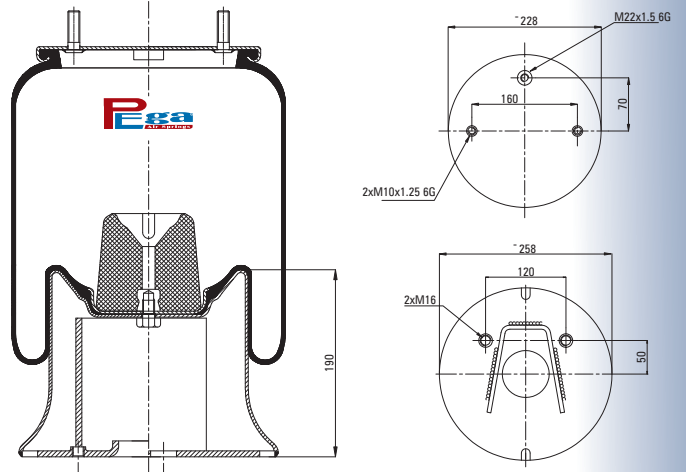
Cross References

OE Part No

METAL PISTON

13 KG.

P10.50900.C



Cross References

OE Part No

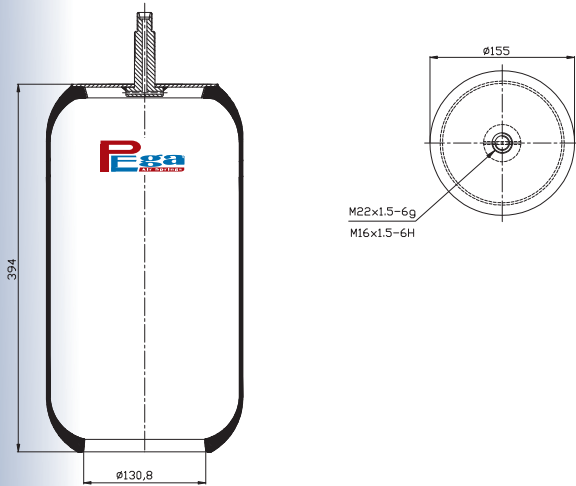
FIRESTONE 1T15M-9
W01 M58 6289
GOODYEAR 1R12-703

CARDI 58050900
OMAR 11808
ZORZI 1006551

METAL PISTON

13 KG.

P10.5101.S



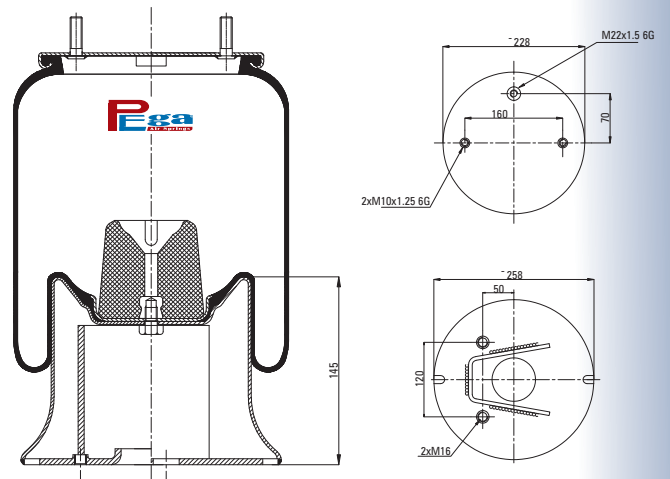
Cross References

OE Part No

ROLL

2 KG.

P10.51400.C



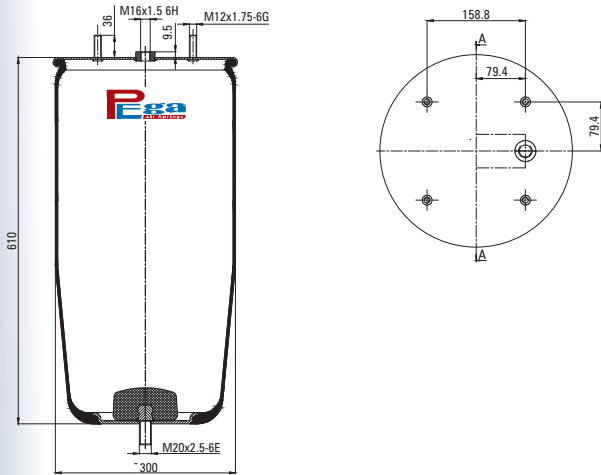
Cross References

OE Part No

METAL PISTON

13 KG.

P10.6050.S



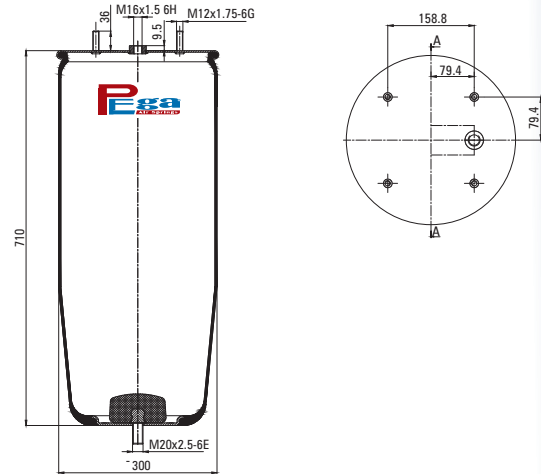
Cross References	
PHOENIX	1 DK 32 E-4
CF GOMMA	1TC 360-50

OE Part No	
KASSBOHRER	4.731.043.000
	4.731.043.100.13

SERVICE ASSEMBLY

7,5 KG.

P10.6055.S



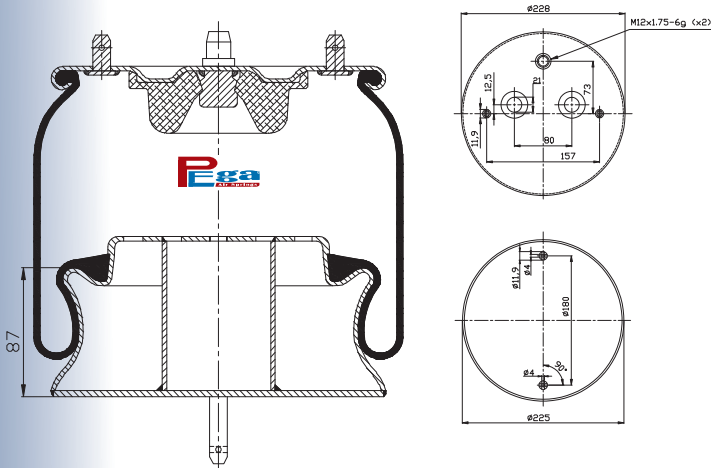
Cross References	
CF GOMMA	1TC 360-55

OE Part No	
KASSBOHRER	4.731.044.100

SERVICE ASSEMBLY

7,5 KG.

P10.6198.C



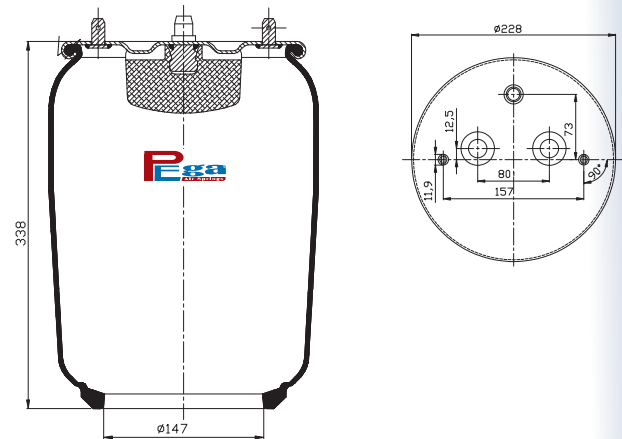
Cross References	
GOODYEAR	1R13-747

OE Part No	
SCANIA	1386198
	1362143

METAL PISTON

7,5 KG.

P10.6198.S



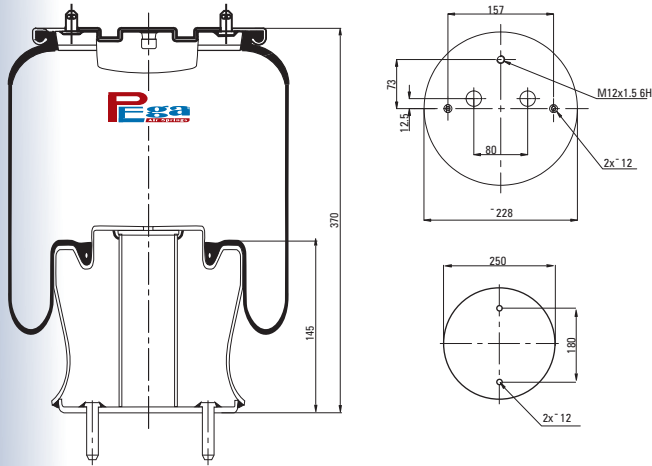
Cross References	
------------------	--

OE Part No	
------------	--

SERVICE ASSEMBLY

3,5 KG.

P10.6199.C

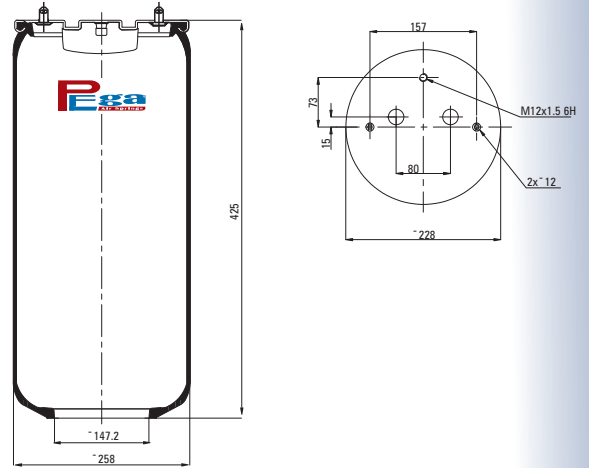


Cross References		OE Part No	
GOODYEAR	1R13-744	SCANIA - S.BUSSAR	1386199
MERITOR	MLF 7146		

METAL PISTON

10 KG.

P10.6199.S

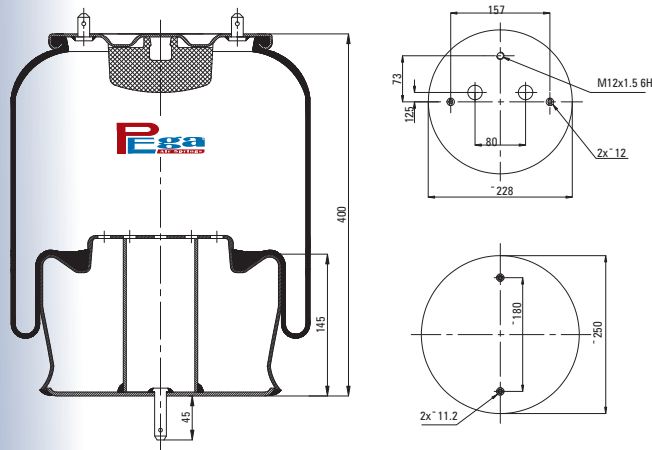


Cross References	OE Part No

SERVICE ASSEMBLY

4 KG.

P10.6200.C

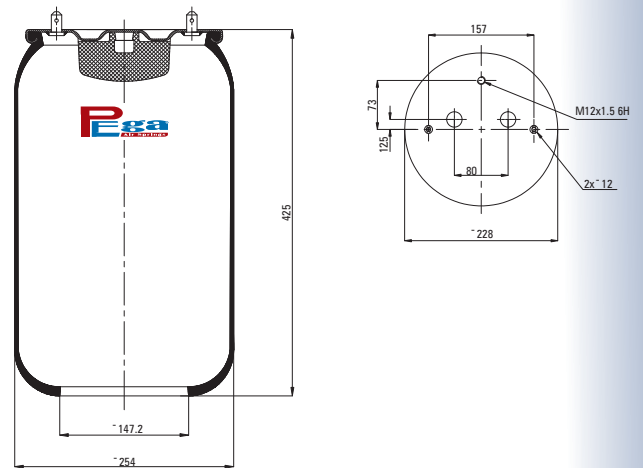


Cross References		OE Part No	
GOODYEAR	1R13-745	SCANIA - S.BUSSAR	1386200
MERITOR	MLF 7167		

METAL PISTON

10,7 KG.

P10.6200.S

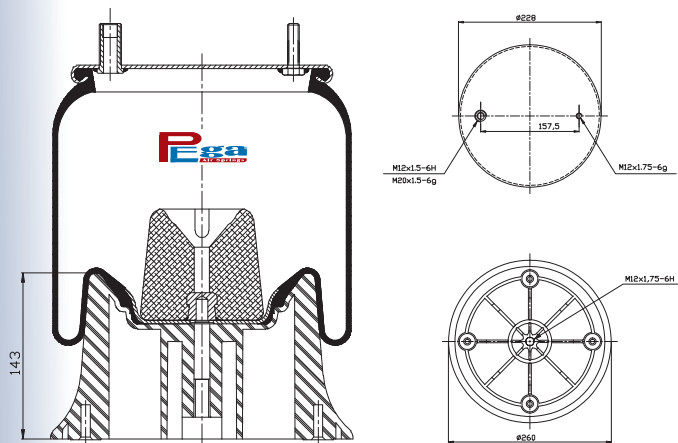


Cross References	OE Part No

SERVICE ASSEMBLY

4 KG.

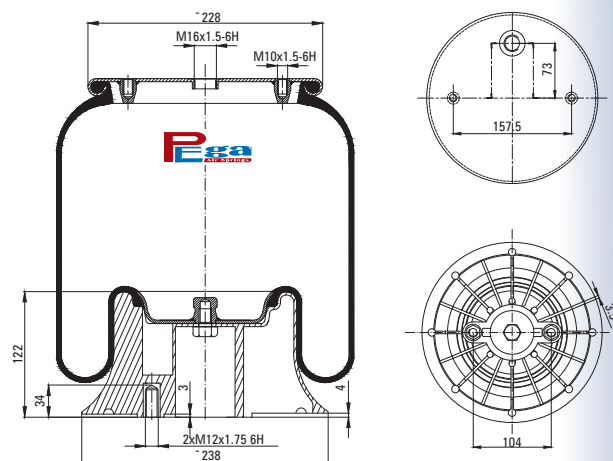
P10.6237.CP



Cross References		OE Part No	
FIRESTONE	1T15M6	ACERBI	128145002
	W01M586237	VIBERTI	128145002

PLASTIC PISTON 6,7 KG.

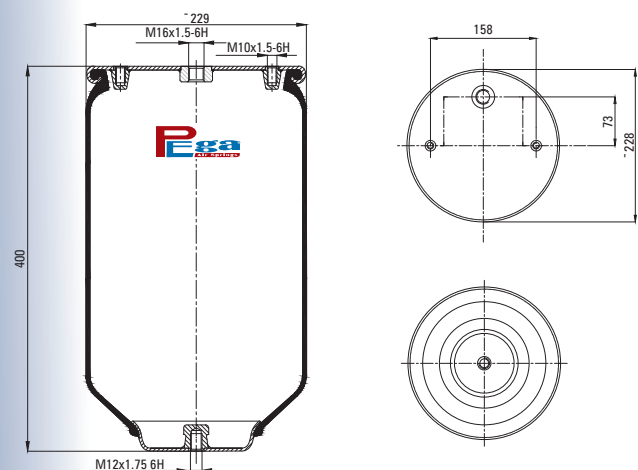
P10.6251.CP



Cross References		OE Part No	
FIRESTONE	1T15LP-3	SCANIA TRUCK	1314903
	W01 M58 6251	SCANIA TRUCK	1402423

PLASTIC PISTON 5 KG.

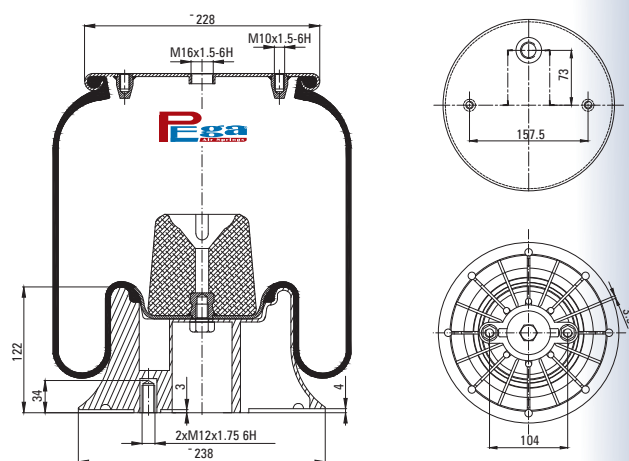
P10.6251.S



Cross References		OE Part No	

SERVICE ASSEMBLY 4 KG.

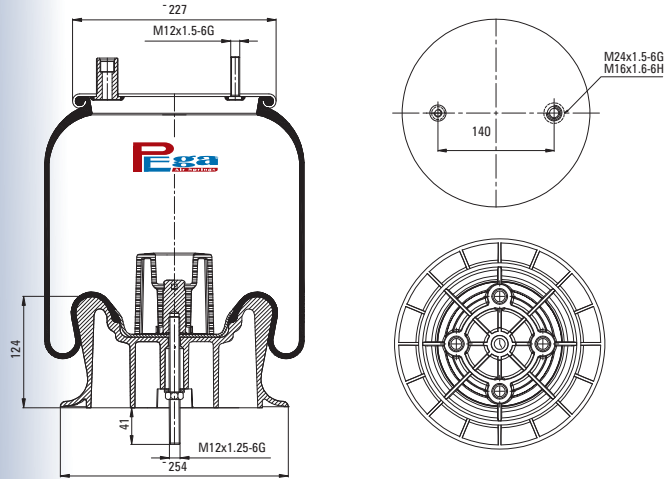
P10.6253.CP



Cross References		OE Part No	
FIRESTONE	1T15LP-3	GRANNING	15 663
	W01 M58 6253		

PLASTIC PISTON 5 KG.

P10.6260.CP



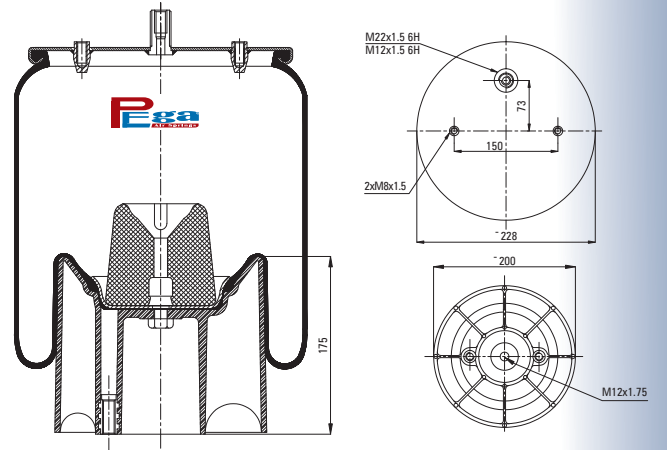
Cross References	
FIRESTONE	1T15MPW-7
	W01 M58 6260

OE Part No	
RENAULT	59053-2F
HENDRICKSON	59053-2F

PLASTIC PISTON

6 KG.

P10.6318.CP



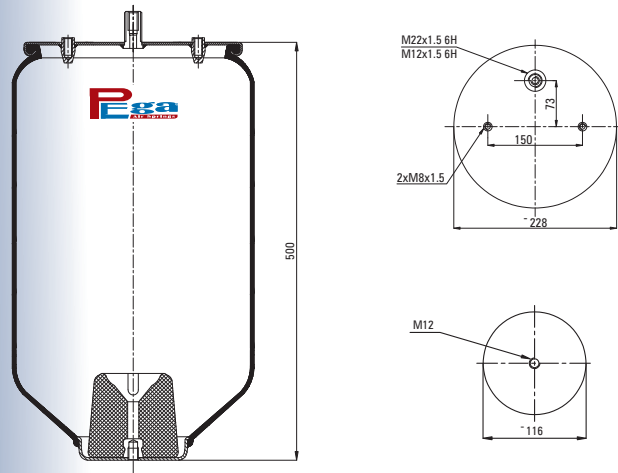
Cross References	
FIRESTONE	1T15MPW-9
	W01 M58 6318

OE Part No	
SCHMITZ	016 512
WEWELER	US 06318 F

PLASTIC PISTON

6 KG.

P10.6318.S



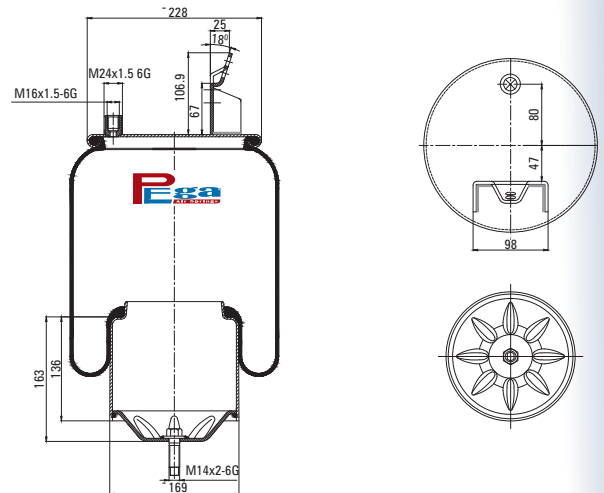
Cross References	
------------------	--

OE Part No	
------------	--

SERVICE ASSEMBLY

4,5 KG.

P10.6416.C



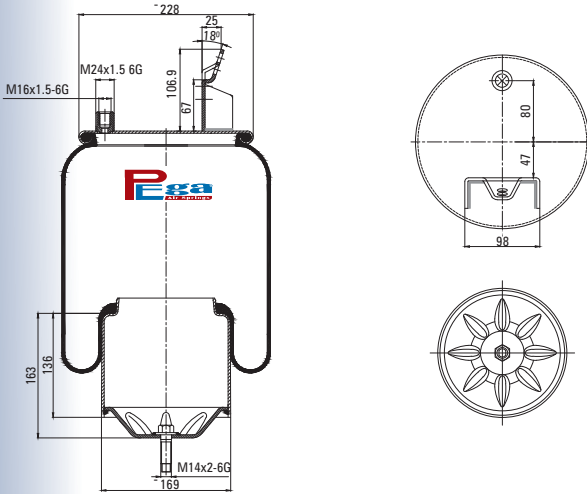
Cross References	
CONTITECH	6608 N P01
FIRESTONE	1T15UR9
	W01 M58 8474
GOODYEAR	1R10-709
DUNLOP	D10B01

OE Part No	
VOLVO	1 076 416
VOLVO	20 374 510
VOLVO	20 456 152
VOLVO	20 531 985
VOLVO	20 582 215
VOLVO	3 171 693

METAL PISTON

6,2 KG.

P10.6416.C1



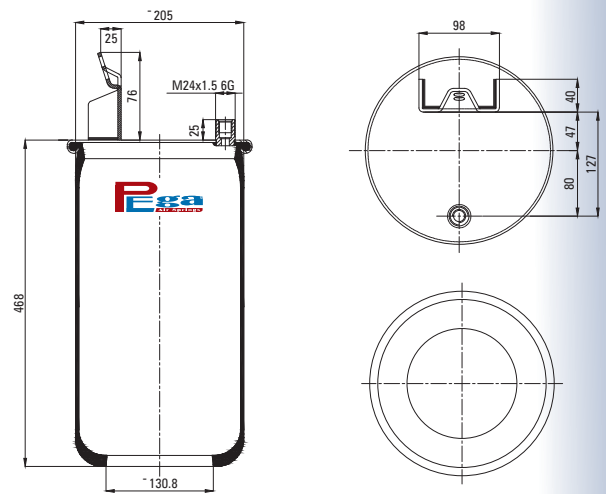
Cross References

OE Part No

METAL PISTON

6,2 KG.

P10.6416.S



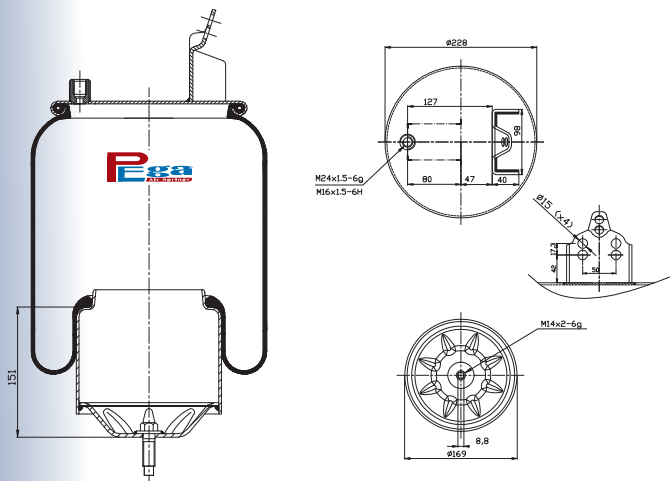
Cross References

OE Part No

SERVICE ASSEMBLY

4 KG.

P10.6418.C



Cross References

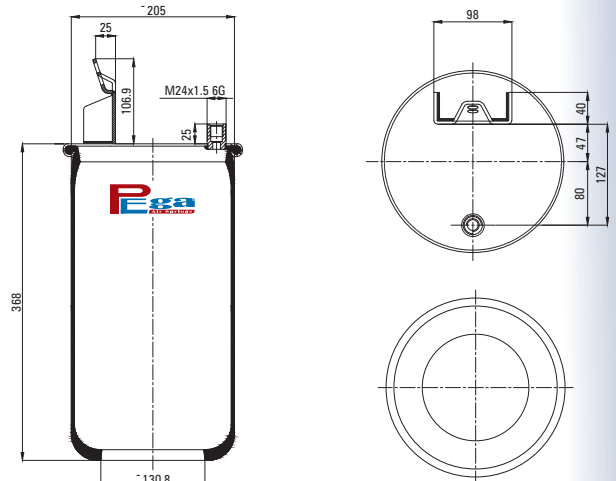
OE Part No

CONTITECH	6607 N P01	VOLVO	1 076 418
FIRESTONE	1T15UR6	VOLVO	20 374 511
	W01 M58 8473	VOLVO	20 456 156
VIBRACOUSTIC	V1DF16C-1	VOLVO	20 531 987
		VOLVO	20 582 214
		VOLVO	3 171 695

METAL PISTON

6 KG.

P10.6418.S



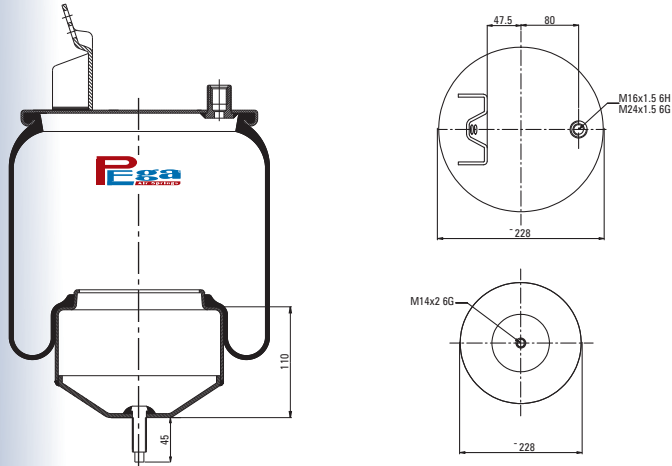
Cross References

OE Part No

SERVICE ASSEMBLY

3 KG.

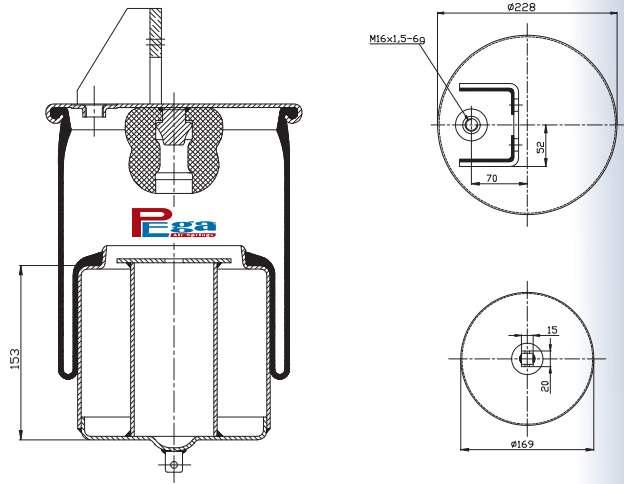
P10.6420.C



Cross References		OE Part No	
CONTITECH	6420 N	VOLVO	20 531 988
CONTITECH	82212 M	VOLVO	20 582 212
CONTITECH	6606 N P02	VOLVO	21 961 447

METAL PISTON 5 KG.

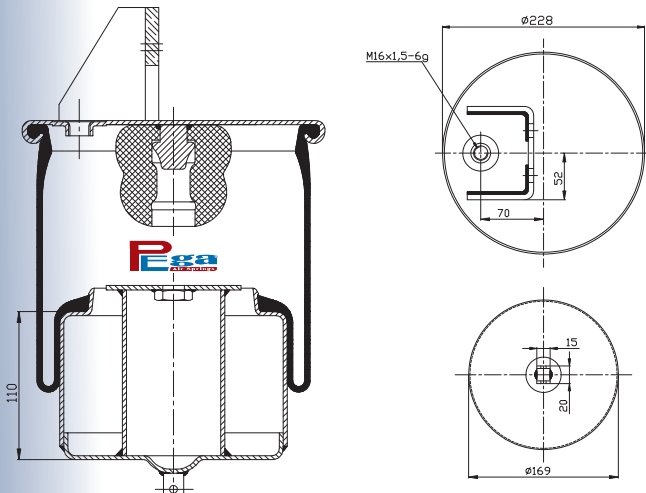
P10.6420.C22



Cross References		OE Part No	

METAL PISTON 7 KG.

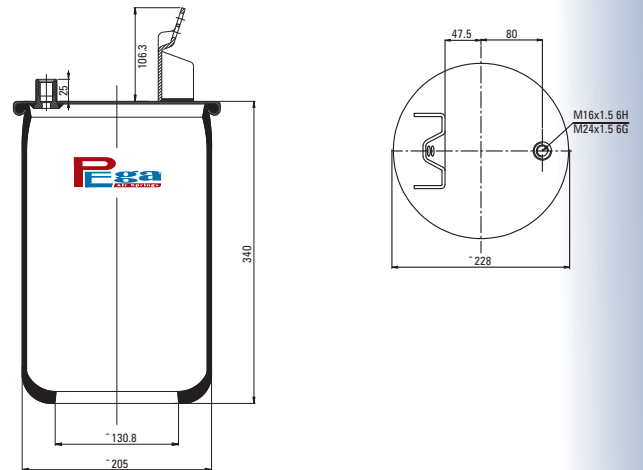
P10.6420.C44



Cross References		OE Part No	

METAL PISTON 8 KG.

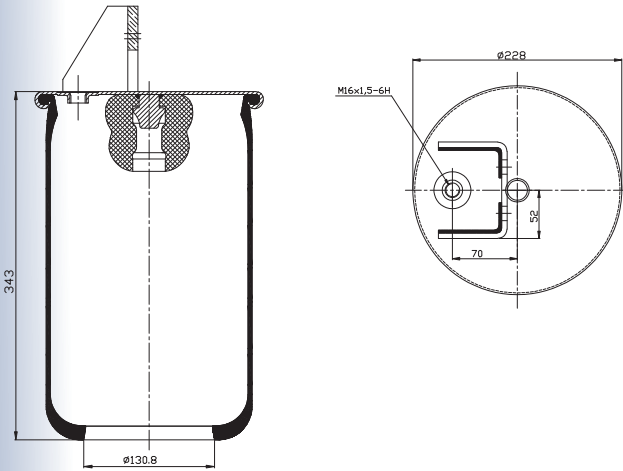
P10.6420.S



Cross References		OE Part No	

SERVICE ASSEMBLY 3,5 KG.

P10.6420.S22



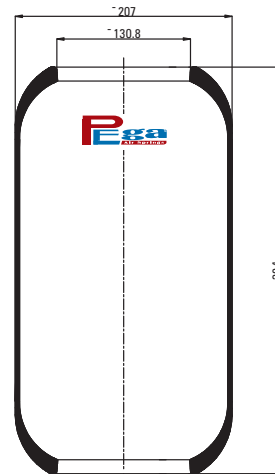
Cross References

OE Part No

SERVICE ASSEMBLY

3,5 KG.

P10.644.R



Cross References

OE Part No

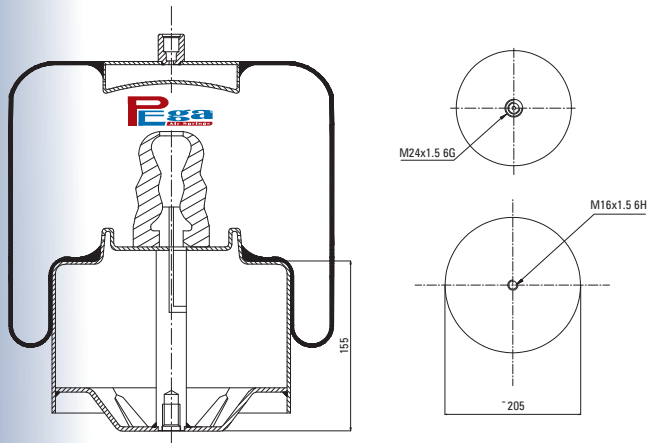
CONTITECH 644 N
 FIRESTONE 1R1A 390 295
 W01 095 0118
 GOODYEAR 8017
 PHOENIX 1 E 21

EVO BUS A0003270101/0201
 EVO BUS A307 328 0001
 MERCEDES (BRAZIL) A364 327 7001
 KASSBOHRER 4771143000/170000
 DAF 0 689 677
 MAN 81 43601 0017
 NEOPLAN 100110300-100112254
 VAN HOOL 624319-420
 VOLVO 1 134 445-1 199 893
 VOLVO 1 622 111
 VOLVO (BRAZIL) 3 159 252-1 134 445

ROLL

1,4 KG.

P10.644.C01



Cross References

OE Part No

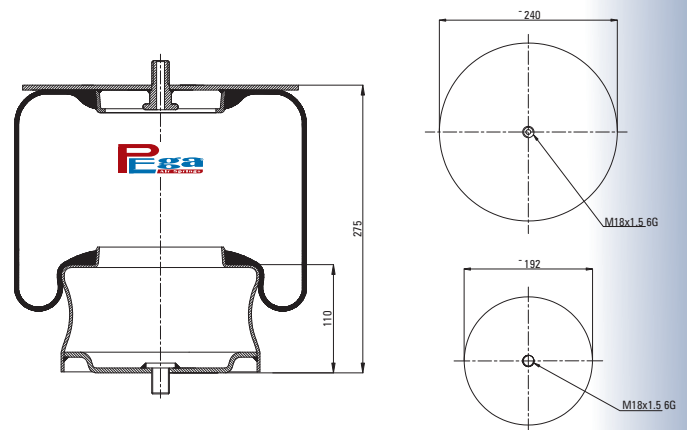
CONTITECH 644 N P01

EVO BUS A 628 320 0425

METAL PISTON

8 KG.

P10.644.C02



Cross References

OE Part No

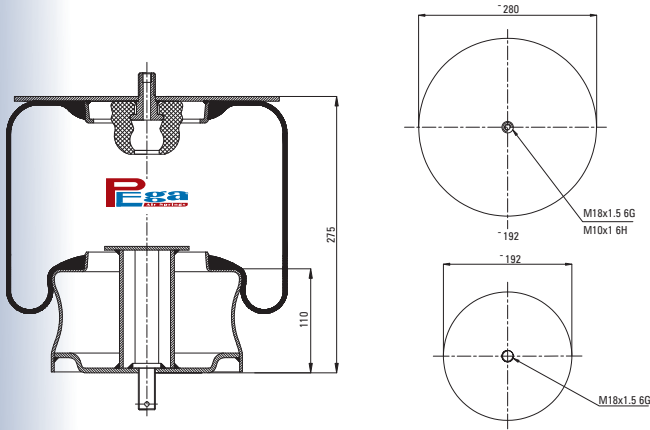
CONTITECH 644 N P02

ZF SACHS 0501 209 514

METAL PISTON

6,6 KG.

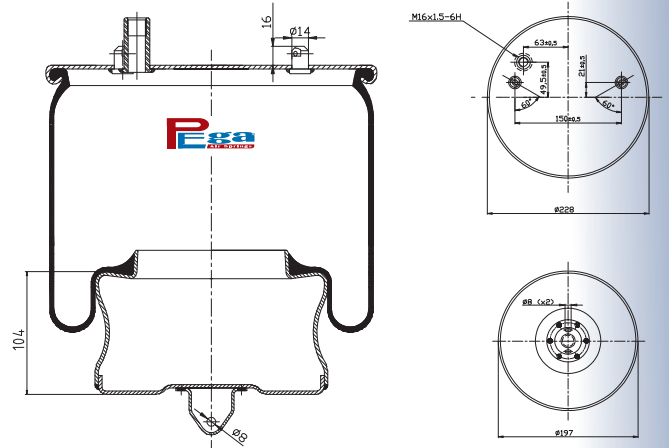
P10.644.C04



Cross References		OE Part No	
CONTITECH	644 N P04	AUTOSAN	1029-900-970

METAL PISTON 8,5 KG.

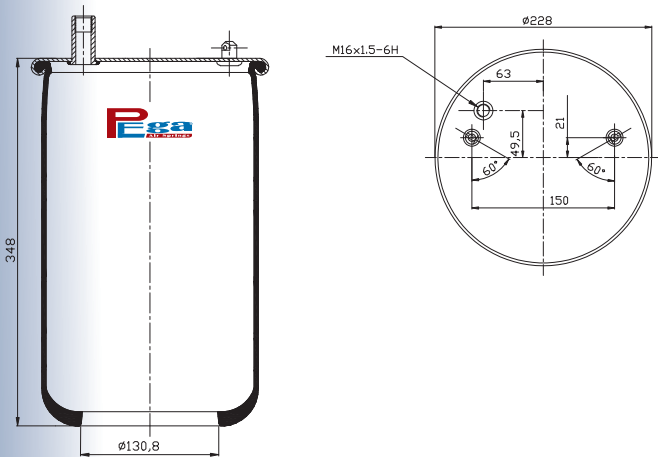
P10.6600.C01



Cross References		OE Part No	
CONTITECH	6600 N P01	VOLVO	20573109
		VOLVO	70313718
		VOLVO	1076420

METAL PISTON 5,4 KG.

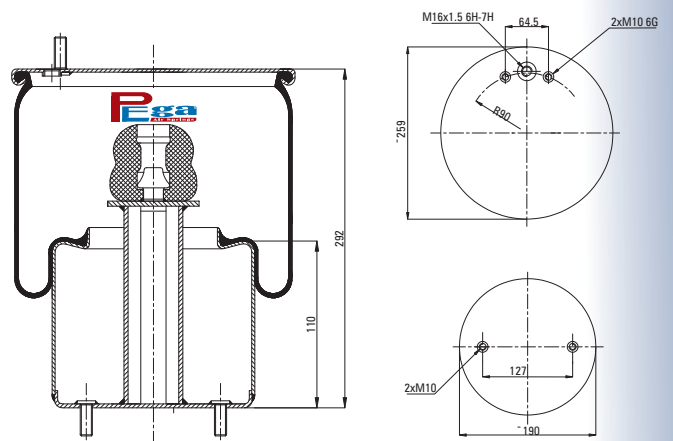
P10.6600.S01



Cross References		OE Part No	
------------------	--	------------	--

SERVICE ASSEMBLY 3 KG.

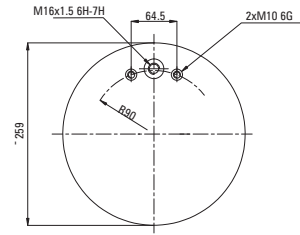
P10.6602.C



Cross References		OE Part No	
CONTITECH	6602 N P01	VOLVO	20 480 202
		VOLVO	20 573 113
		VOLVO	70 313 734

METAL PISTON 8 KG.

P10.6602.S



Cross References

CONTITECH	6602 N
-----------	--------

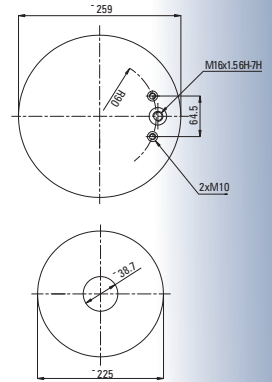
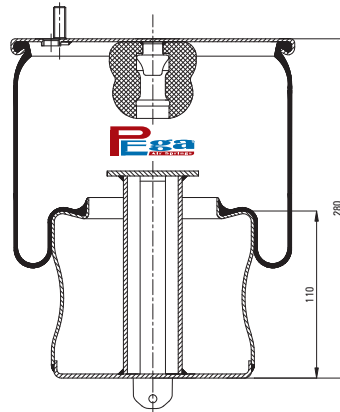
OE Part No

VOLVO	20 573 113
VOLVO	21 041 697
VOLVO	20 480 202

SERVICE ASSEMBLY

3 KG.

P10.6603.C



Cross References

CONTITECH	6603 N P01
-----------	------------

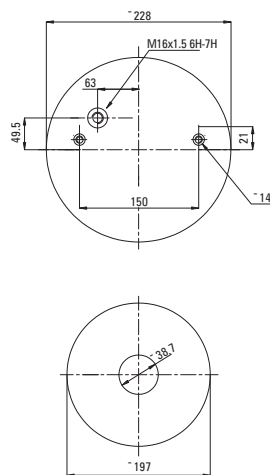
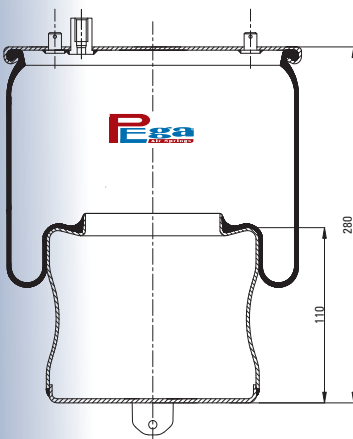
OE Part No

VOLVO	20 573 312
-------	------------

METAL PISTON

8 KG.

P10.6604.C



Cross References

CONTITECH	6604 N P01
VIBRACOUSTIC	V 1 DF 16 E-1
PHOENIX	1DF17-1

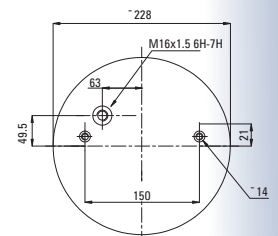
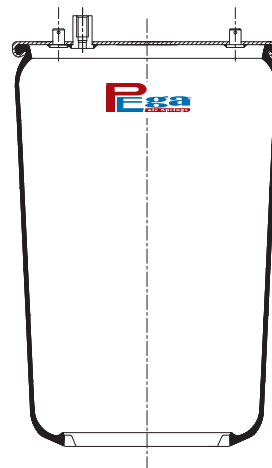
OE Part No

VOLVO	20 573 108
VOLVO	70 313 718
VOLVO	70 321 690

METAL PISTON

10 KG.

P10.6604.S



Cross References

--	--

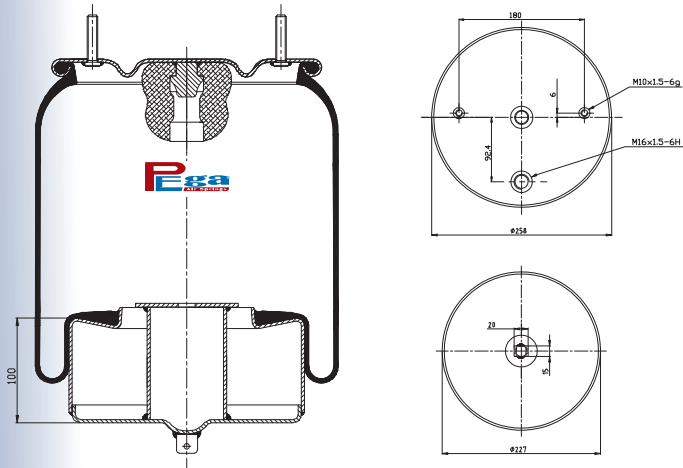
OE Part No

--	--

SERVICE ASSEMBLY

4 KG.

P10.6609.C

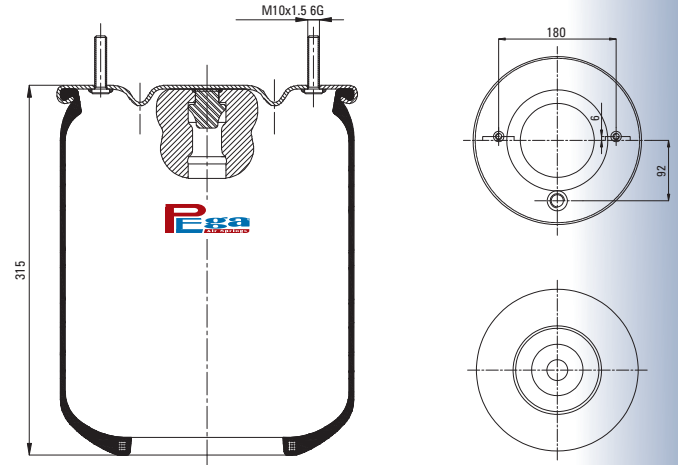


Cross References		OE Part No	
CONTITECH	6609 N P01	VOLVO	1 075 365
		VOLVO	1 629 782
		VOLVO	20 452 138
		VOLVO	20 554 761

METAL PISTON

8 KG.

P10.6609.S

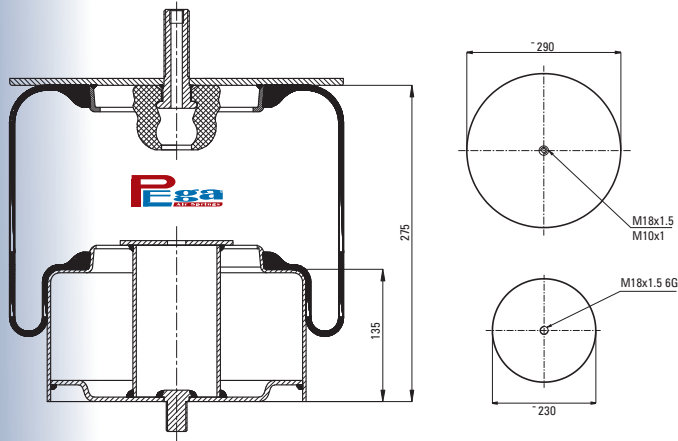


Cross References		OE Part No	

SERVICE ASSEMBLY

4 KG.

P10.661.C

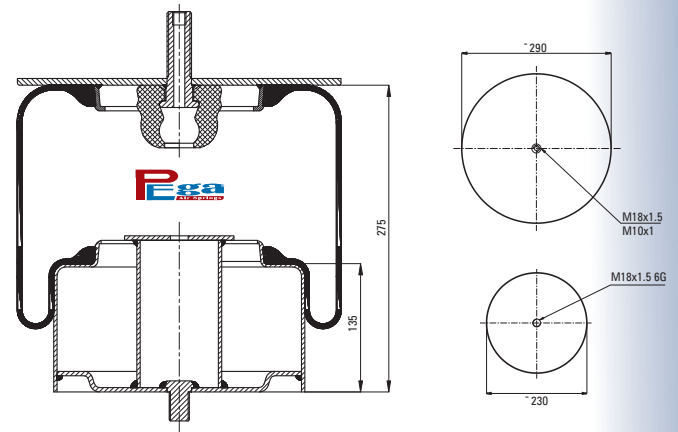


Cross References		OE Part No	

METAL PISTON

8 KG.

P10.661.C01

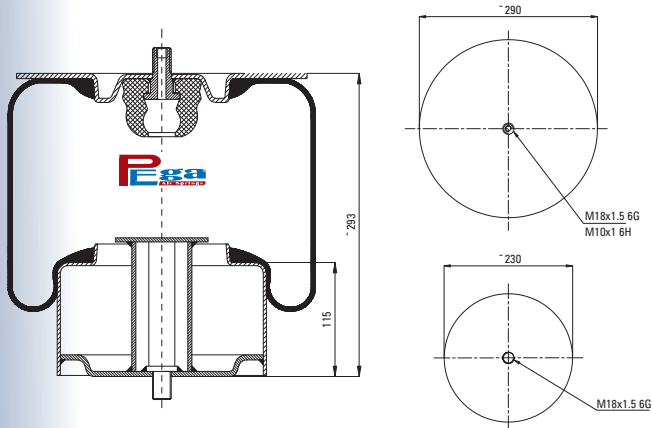


Cross References		OE Part No	
CONTITECH	661 N P01	AYATS	31001569
		IRISBUS	5010 073 846

METAL PISTON

8 KG.

P10.661.C02



Cross References

CONTITECH 661 N P02

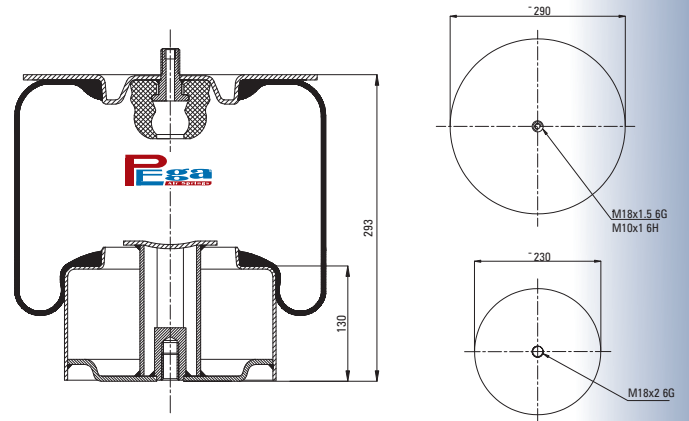
OE Part No

ZF SACHS 0501 209 513
0501 215 443
0501 215 602

METAL PISTON

8,5 KG.

P10.661.C05



Cross References

CONTITECH 661 N P05

OE Part No

AYATS 30201102

METAL PISTON

10 KG.

P10.661.R



Cross References

CF GOMMA 89726 1 S 310-28
CONTITECH 661 N
DUNLOP D12S02 RE
DUNLOP PNP 304980101
FIRESTONE 1R1C 390 310
FIRESTONE W01 095 0021
GOODYEAR 8018
PHOENIX 1 E 25
TAURUS BL 114

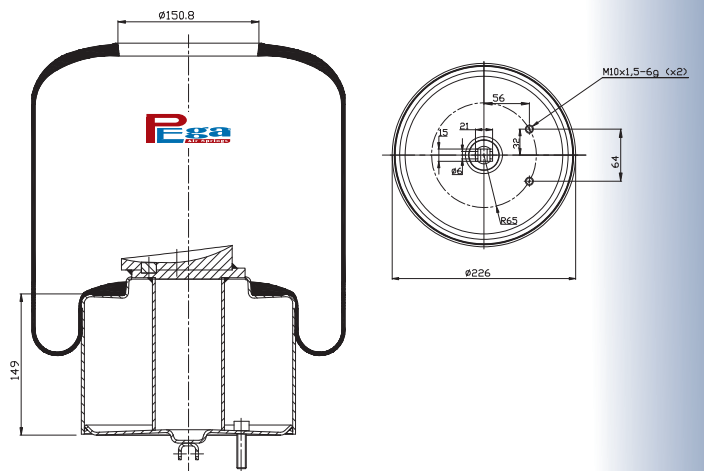
OE Part No

IVECO 249 8667/418 22247/474 6733
KASSBOHRER EVO 4.731.012.000
4.731.031.000/ 042.000
4.771.427.000/ 440.000
MAN 90.83112.0144
NEOPLAN 1001 10 100/1001 12 250
NEOPLAN 1021 00 200/1024 00 200
NEOPLAN AA 10-01-001
RENAULT V.I 5.001.829.866
SCHMITZ 750 208
VOLVO 1 137 888

ROLL

1,8 KG.

P10.6610.C01



Cross References

CONTITECH 6610 N P01

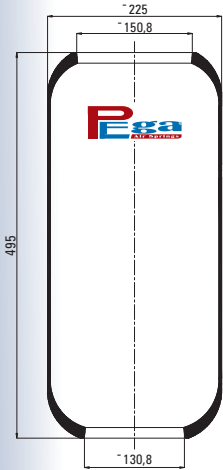
OE Part No

VOLVO 20573305
20573306

METAL PISTON

8,7 KG

P10.6610.R



Cross References

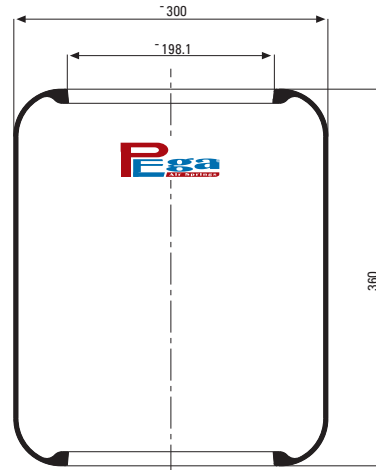
OE Part No

VOLVO	20573305
VOLVO	20573306

ROLL

2 KG.

P10.662.R



Cross References

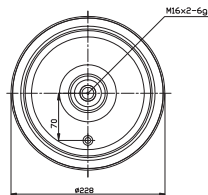
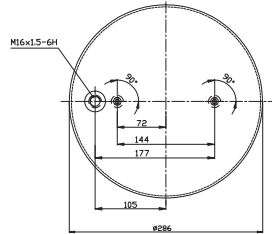
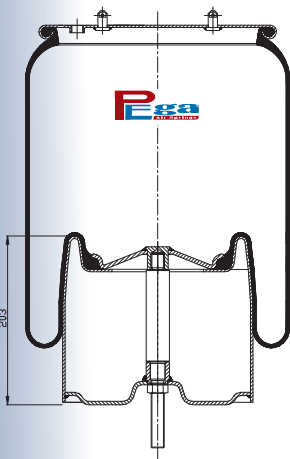
OE Part No

CONTITECH	662 N	BUSSING	100 110 200
FIRESTONE	1R1D 355 355	BUSSING	100 112 251
	W01 095 0207	MAN	81 43601 0018
PHOENIX	1E 32	MAN	81 43601 0051
TAURUS	BL 143	NEOPLAN	1001 10 200
GOODYEAR	9007	NEOPLAN	1001 12 251/0578 361
VIBRACOUSTIC	V1 E 32	NEOPLAN	AA 10-01-002
		VDL BUS	AA 10-21-300
		BPW	02 200 24 60 0
		FLOOR	848
		SCHMITZ	750 209

ROLL

2,4 KG.

P10.6700.C



Cross References

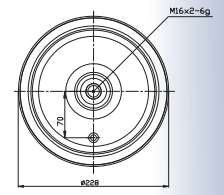
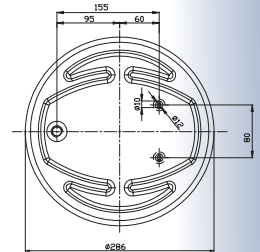
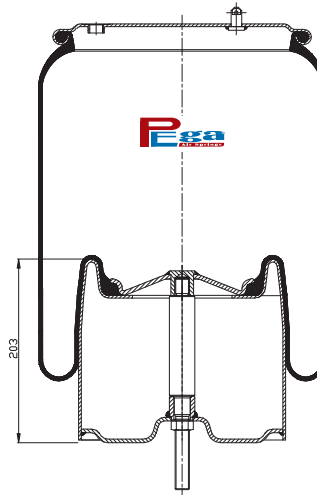
OE Part No

CONTITECH	6700 N P01	SCANIA	1543691
-----------	------------	--------	---------

METAL PISTON

12,5 KG.

P10.6700.C02



Cross References

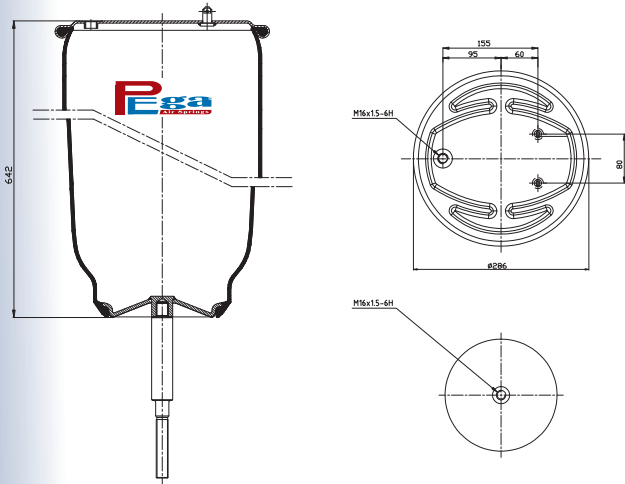
OE Part No

CONTITECH	6700 N P02	SCANIA	1903608
		SCANIA	1944314

METAL PISTON

12,5 KG.

P10.6700.S02



Cross References

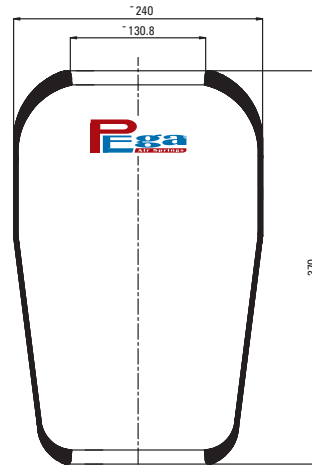
OE Part No

SCANIA	1903608
SCANIA	1944314

SERVICE ASSEMBLY

7 KG.

P10.673.R



Cross References

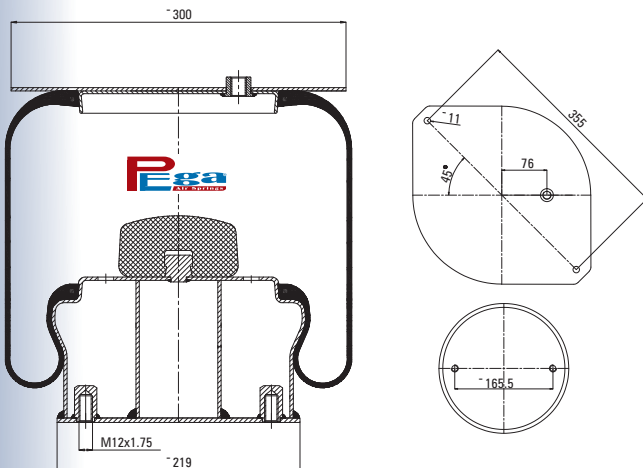
OE Part No

CONTITECH	673 N	BREDA MENARINI	178 623
FIRESTONE	1R1A 370 285	BREDA MENARINI	325 993
	W01 095 0198	EVO BUS	A 383 327 0001
PHOENIX	1 F 21 A	EVO BUS	A 621 328 0001
TAURUS	B 141	MAGIRUS-DEUTZ	0249 1566
GOODYEAR	9051	MERCEDES	A 383 327 0001
		VAN HOOL	624319-860
		VOLVO	1 611 776
		VDL BUS	0 627 584

ROLL

1,5 KG.

P10.701.C01



Cross References

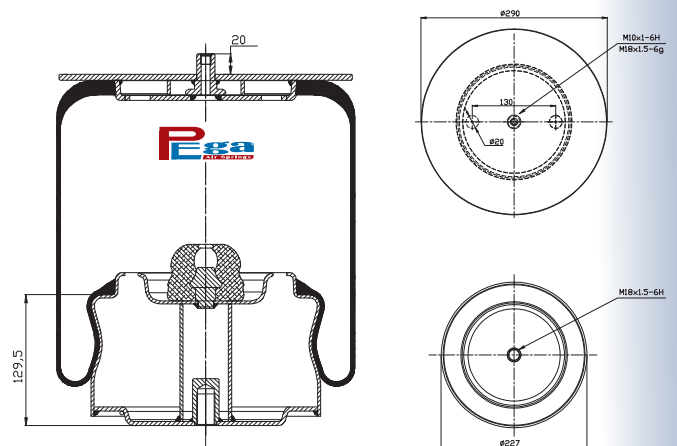
OE Part No

BOVA	B 510040
IKARUS	B 510040

METAL PISTON

10 KG.

P10.701.C02



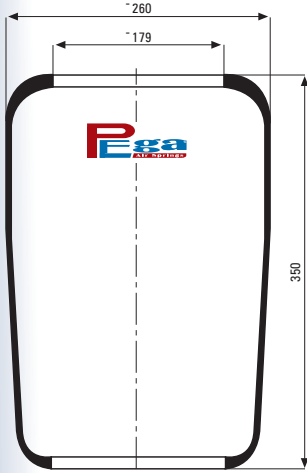
Cross References

OE Part No

METAL PISTON

11 KG.

P10.701.R

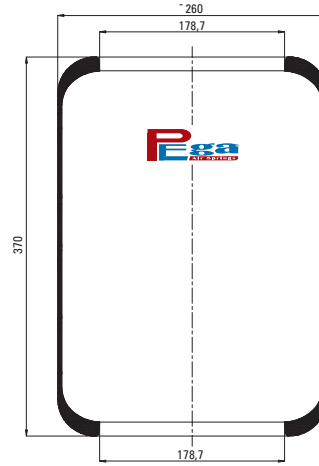


Cross References		OE Part No	
CONTITECH	701 N	BOVA	B 510040
FIRESTONE	1R3M 340 340	IKARUS	B 510040
	W01 095 0205	AUWARTER	B 510040
PHOENIX	1 E 26-1		
TAURUS	B 116-1		
GOODYEAR	9006		

ROLL

1,7 KG.

P10.702.R



Cross References		OE Part No	
CONTITECH	702 N	BOVA	B 234908
VIBRACOUSTIC	1944314	IKARUS	19001
GOODYEAR	9011	IKARUS	19002

ROLL

1,8 KG.

P10.7054.R

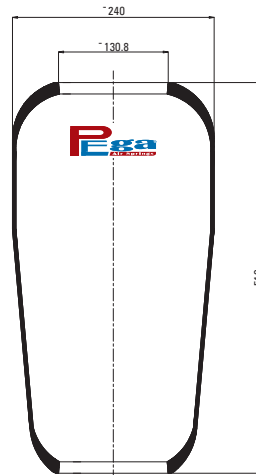


Cross References		OE Part No	
CONTITECH	6611 N	VOLVO	70377054
GOODYEAR	9138		

ROLL

1,8 KG.

P10.706.R

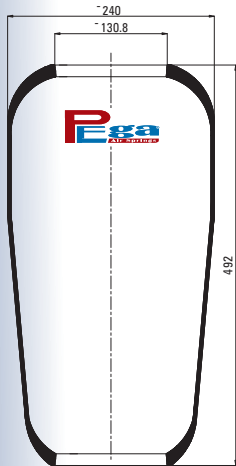


Cross References		OE Part No	
CONTITECH	706 N1	MAN	81 43601 0096
GOODYEAR	9067	MAN	81 43601 0098
		MAN	81 43601 0101
		MAN	81 43601 0127
		MAN	81 43601 0139

ROLL

2 KG.

P10.713.R



Cross References

CONTITECH	713 N
PHOENIX	1 F 21 D
GOODYEAR	9066

OE Part No

VOLVO	1 622 116
VOLVO	6 797 169

ROLL

1,8 KG.

P10.715.R



Cross References

CONTITECH	715 N
FIRESTONE	1R1C 355 310
	W01 095 0087
PHOENIX	1F 25
TAURUS	B 144
GOODYEAR	8015

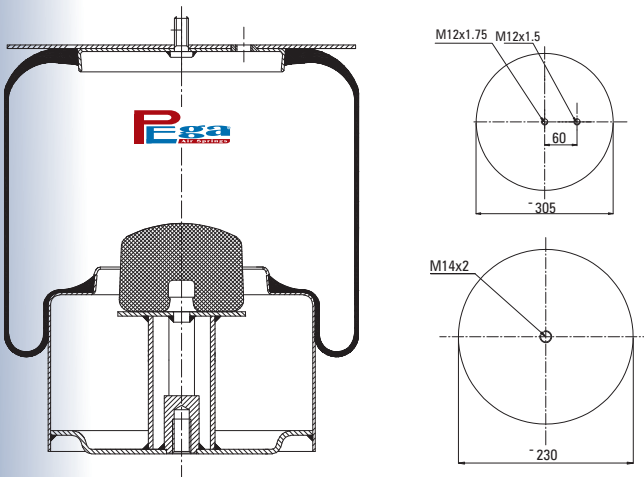
OE Part No

DAF	0 659 561
IVECO	4.456.111
IVECO	4.763.473
RENAULT	5.000.819.517
VOLVO	6 885 533
MAN	81436010081
MAN	81436010060 /61
MAN	81436010075 /78
MAN	81436010083 /90
MAN	81436010117
MERCEDES	A 363 328 00 01

ROLL

2 KG.

P10.715.C



Cross References

CONTITECH	715 MB
-----------	--------

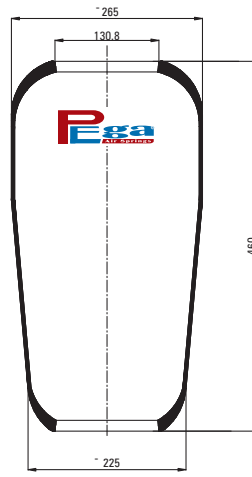
OE Part No

RENAULT	5 000 786 901
---------	---------------

METAL PISTON

12,5 KG.

P10.716.R



Cross References

CONTITECH	716 N
FIRESTONE	1R2A 450 305
	W01 095 0145
PHOENIX	1F 26 B-1
TAURUS	B 197
GOODYEAR	9073
CF GOMMA	1SC 300-34 92548

OE Part No

MAN	81 43601 0039
MAN	81 43601 0040
VOLVO	1 593 842
VOLVO	1 075 290

ROLL

2,5 KG.

P10.719.R



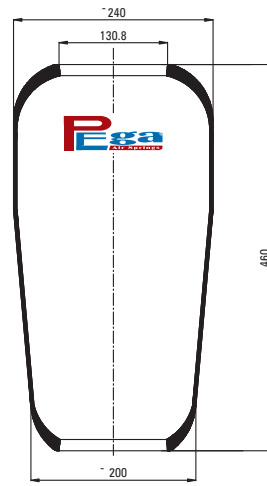
Cross References	
CONTITECH	719 N
FIRESTONE	1R2D 530 360 W01 095 0192
PHOENIX	1 F 32 B
TAURUS	B 153
GOODYEAR	8118
CF GOMMA	1SC 360-43 92593

OE Part No	
DAF	0 818 225
BPW	02 200 24 00 0
EVO BUS	4 731 032 000
GIGANT	196036
GIGANT	166205
KASSBOHRER	4 731 032 000
KASSBOHRER	4 731 030 000
KOGEL	4 731 032 000
NEOPLAN	1001 101 00
NEOPLAN	1021 002 00
SCHMITZ	750 215

ROLL

2,9 KG.

P10.720.R



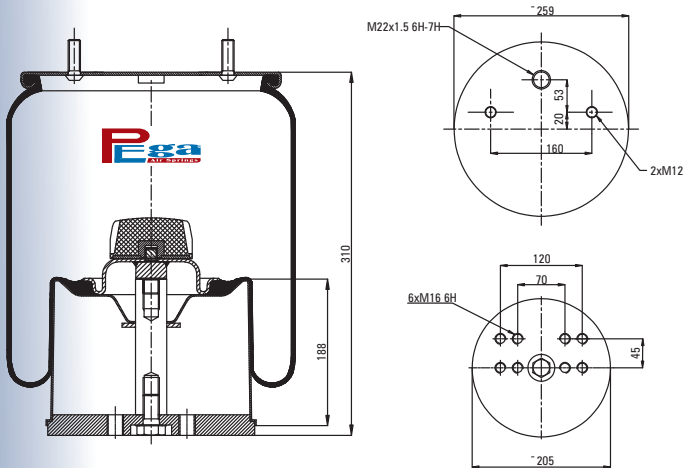
Cross References	
CONTITECH	720 N
FIRESTONE	1R2A 460 295 W01 095 0195
PHOENIX	1 F 21
TAURUS	B 152
GOODYEAR	9008
CF GOMMA	1SC 290-30 88802

OE Part No	
MAN	8143601 0033 /0036 /0037
MERCEDES	A 387 328 0101
VOLVO	1 590 136/1 622 115
VOLVO	1 629 193
BPW	02 200 24 10 0
DENNIS	650 292 / 8
DENNIS	650 883/ 7
DENNIS	650 883/ 4
NEOPLAN	1001 123 00
VOLVO	6 797 169
VOLVO	1 629 193/1 590 136

ROLL

1,8 KG.

P10.724.C02



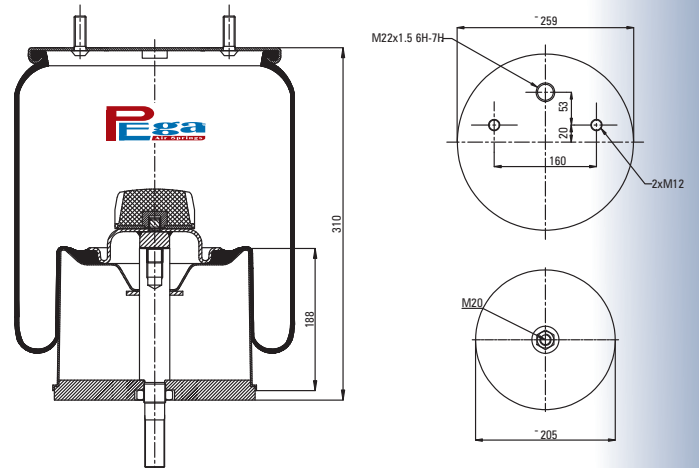
Cross References	
CONTITECH	724 N P02

OE Part No	
GIGANT	166225 3053

METAL PISTON

10,5 KG.

P10.724.C03



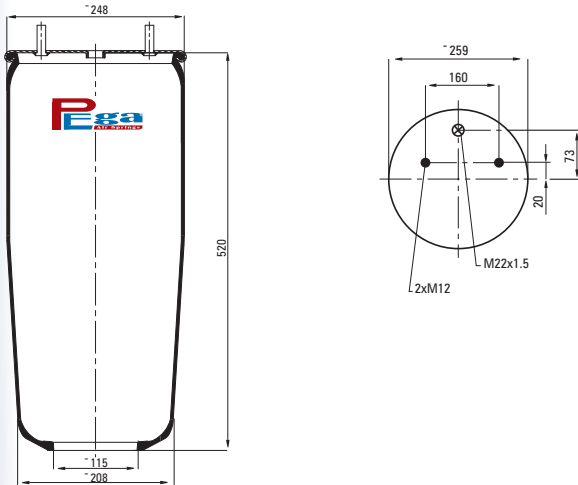
Cross References	
CONTITECH	724 N P03

OE Part No	
GIGANT	166 259

METAL PISTON

10,5 KG.

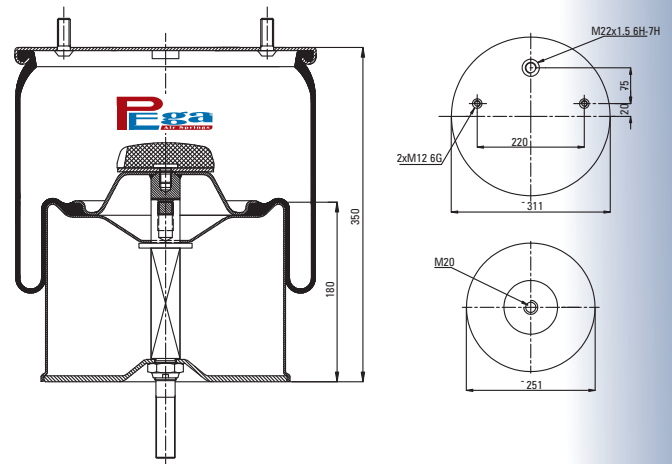
P10.724.S01



Cross References		OE Part No	
CONTITECH	724 N P01	GIGANT	246169
GOODYEAR	1R11-711	GIGANT	3053

SERVICE ASSEMBLY 5,5 KG.

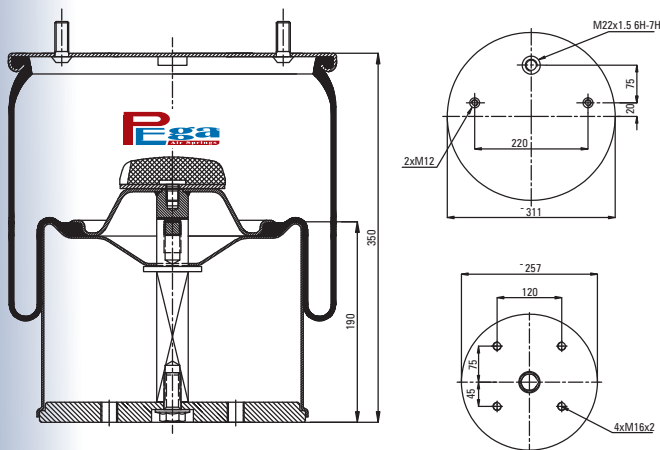
P10.725.C02



Cross References		OE Part No	
CONTITECH	725 N P02	GIGANT	166 217
FIRESTONE	1T66F-10.8		
	W01 M58 8969		
PHOENIX	1 DF 32		
TAURUS	UR 836- 11		
DUNLOP	FR D14U38		
CF GOMMA	1 TCS 360-45 202964		

METAL PISTON 13,5 KG.

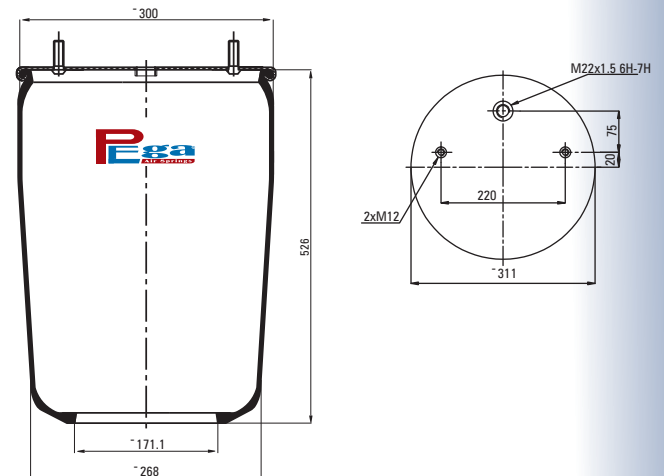
P10.725.C03



Cross References		OE Part No	
CONTITECH	725 N P03	GIGANT	166 252
FIRESTONE	1T66F-10.8		
	W01 M58 8610		

METAL PISTON 12,5 KG.

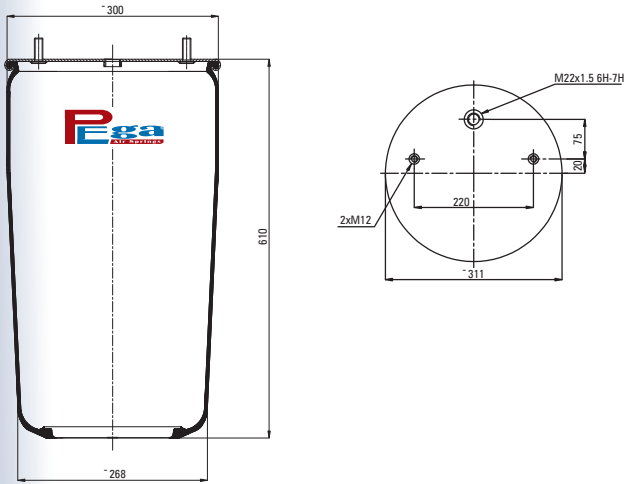
P10.725.S01



Cross References		OE Part No	
CF GOMMA	1 TCS 360-45	GIGANT	246149
CONTITECH	725 N P01		
GOOD YEAR	1R14-704		
FIRESTONE	1T 66F-10.8		
FIRESTONE	W01 M58 8969		
PHOENIX	1 DF 32		
TAURUS	UR 836-11		
DUNLOP	D14 U 38		
CF GOMMA	202964		

SERVICE ASSEMBLY 7 KG.

P10.726.S01



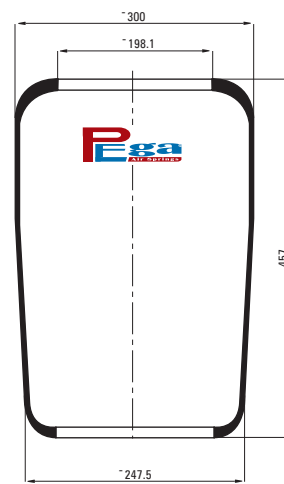
Cross References	
CONTITECH	726 N P01

OE Part No	
GIGANT	246 192

SERVICE ASSEMBLY

7,5 KG.

P10.727.R



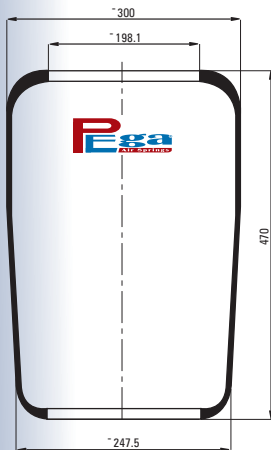
Cross References	
CONTITECH	727 N
FIRESTONE	1R2D 460 360 W01 095 0191
PHOENIX	1 F 32-A
TAURUS	B 149
GOODYEAR	8117
CF GOMMA	1SC 360-34 92575

OE Part No	
DAF	0 638 148/0 166 226
DAF	0 196 043
MAN	8143601 0079 /0082
MAN	8143601 0084 /0116
MAN	8143601 0056 /0076
MAN	8143601 0057 /0058
FLOOR	862
GIGANT	166226/196043
MERCEDES	A 307 328 0101
SCHMITZ	750 212
VOLVO	1 134 446

ROLL

2,7 KG.

P10.728.R



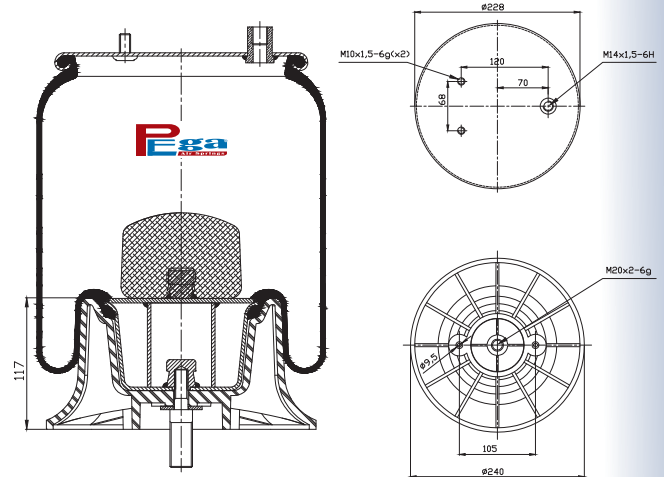
Cross References	
CONTITECH	728 N
FIRESTONE	1R2D 470 360 W01 095 0419
PHOENIX	1 F 32 A
TAURUS	B 149
DUNLOP UK	PNP306420100
GOODYEAR	8117
CF GOMMA	1SC 360-34 92575

OE Part No	
SCHMITZ	750 212

ROLL

2,5 KG.

P10.7313.CP



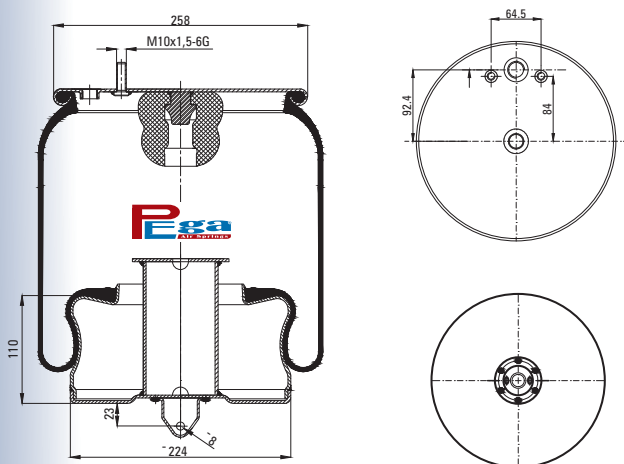
Cross References	
FIRESTONE	1T15AA6
FIRESTONE	W01M587313

OE Part No	
IVECO	99458555
IVECO	99458557

PLASTIC PISTON

7 KG.

P10.73311.C

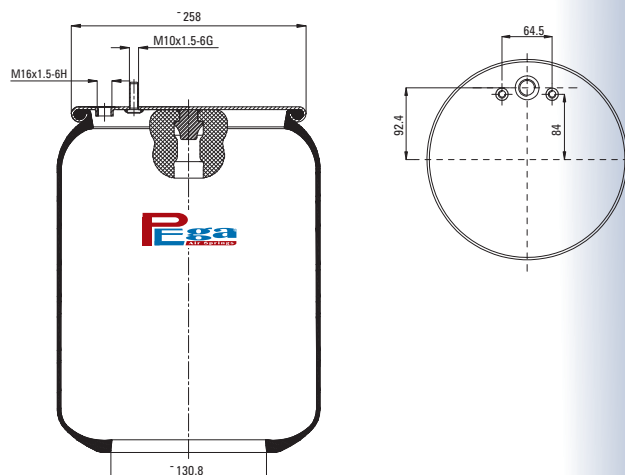


Cross References		OE Part No	
CONTITECH	73311 M	VOLVO	20 573 311
COINTITECH	9514 M	VOLVO	9 959 514

METAL PISTON

7 KG.

P10.73311.S

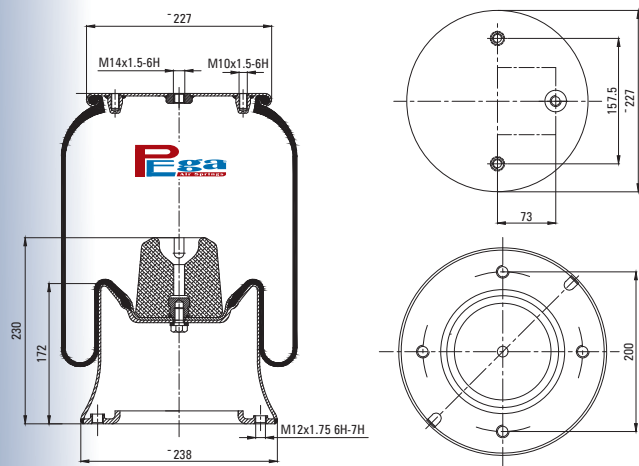


Cross References		OE Part No	

SERVICE ASSEMBLY

4 KG.

P10.7348.C

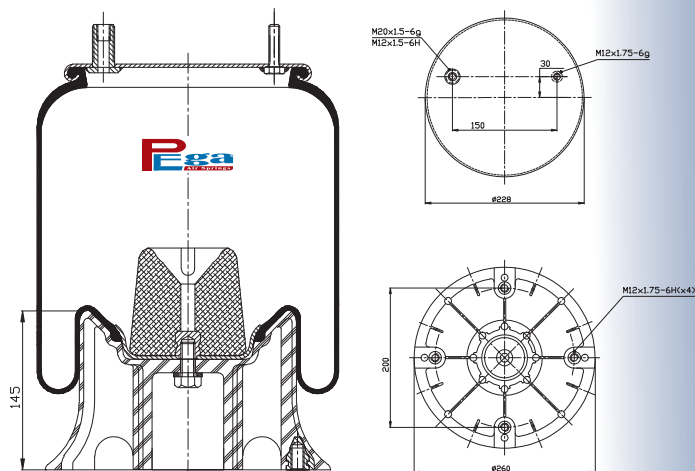


Cross References		OE Part No	
FIRESTONE	1T15M-9	SAMRO	2500425
	W01 M58 7348	MONTENEGRO	
DUNLOP	D12B01		
CF GOMMA	1 T 323-40		

METAL PISTON

7,6 KG.

P10.7368.CP

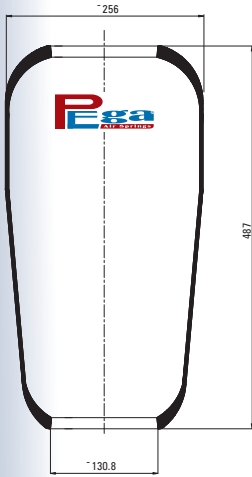


Cross References		OE Part No	
FIRESTONE	1T15M-6	GRANNING	12368
	W01 681 7368	GRANNING	115692

PLASTIC PISTON

6,5 KG.

P10.737.R



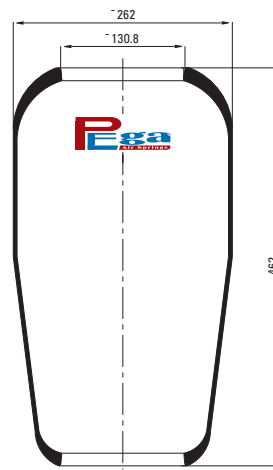
Cross References	
CONTITECH	737 N
FIRESTONE	1R1A 480 330
	W01 095 0211
PHOENIX	1F 26
TAURUS	B 127
GOODYEAR	9075
CF GOMMA	1S 323-23 89756

OE Part No	
MERCEDES	A 393 328 0101
CHEREAU	VSR U5 00211F
MENARINI	178739

ROLL

2 KG.

P10.746.R



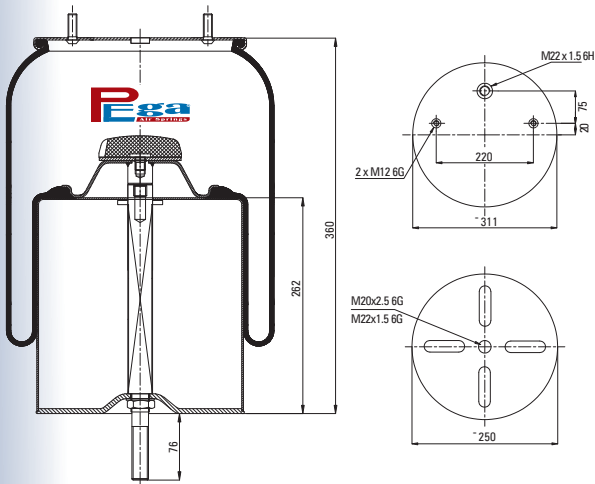
Cross References	
CONTITECH	746 N
GOODYEAR	9076

OE Part No	
MERCEDES	A 318 328 0001

ROLL

1,9 KG.

P10.752.C



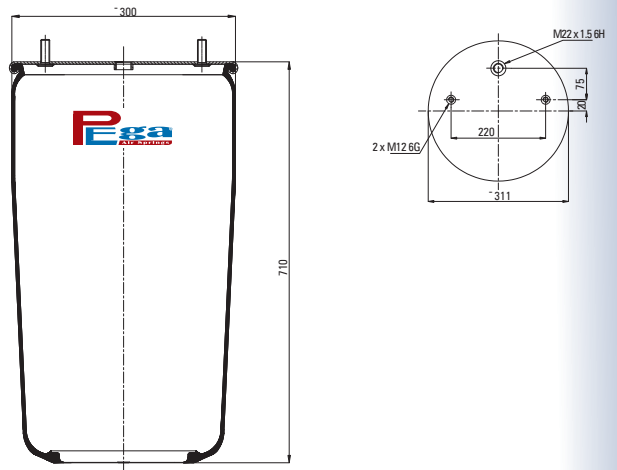
Cross References	
CONTITECH	752 N P01

OE Part No	
GIGANT	247 100

METAL PISTON

18 KG.

P10.752.S01



Cross References	
CONTITECH	752 N P01
VIBRACOUSTIC	V1 DF32-166228

OE Part No	
GIGANT	247 100

SERVICE ASSEMBLY

3,5 KG.

P10.757.R



Cross References

CONTITECH	757 N
FIRESTONE	1R2A 380 305 W01 095 0212
PHOENIX	1F 26 C
TAURUS	B 126
GOODYEAR	9077

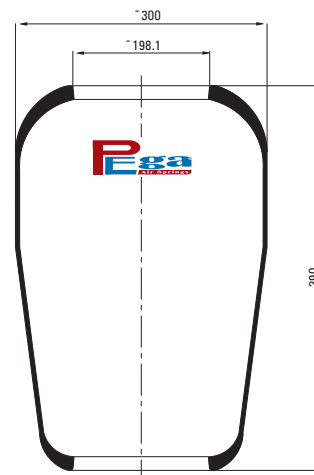
OE Part No

MERCEDES	A 363 328 0201
----------	----------------

ROLL

1,8 KG.

P10.762.R



Cross References

CONTITECH	762 N
FIRESTONE	1R2D 390 360 W01 095 0190
PHOENIX	1 F 32
TAURUS	BL 143
DUNLOP UK	PNP307800100
DUNLOP FR	D13S02
CF GOMMA	1SC 360-30 92594
GOODYEAR	9010

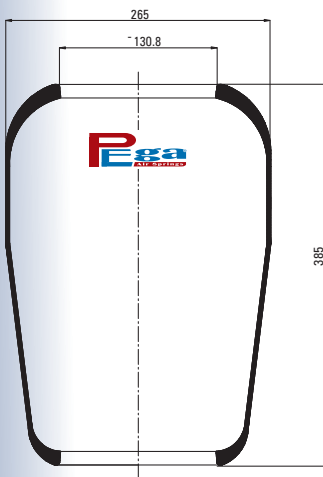
OE Part No

BPW	02 200 24 20 0
BPW	02.200.24.00.0
DAF	0 644 425/0 578 361
EVO BUS	4 731 013 000
GIGANT	161210/161209
GIGANT	196035
KASSBOHRER	4.731.013.000
MAN	81 43601 0049
MAN	81 43601 0052
MERCEDES	A 382 327 7101
NEOPLAN	1021 003 00

ROLL

2,3 KG.

P10.768.R



Cross References

CONTITECH	768 N
FIRESTONE	1R2A 380 330 W01 095 0213
TAURUS	B 125
GOODYEAR	9078

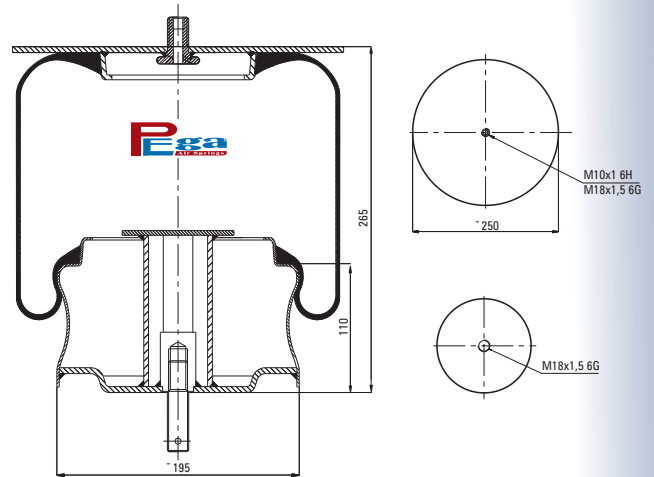
OE Part No

VOLVO	1 612 455
RENAULT V.I	5 000 954 175

ROLL

2 KG.

P10.769.C



Cross References

CONTITECH	769 MB
-----------	--------

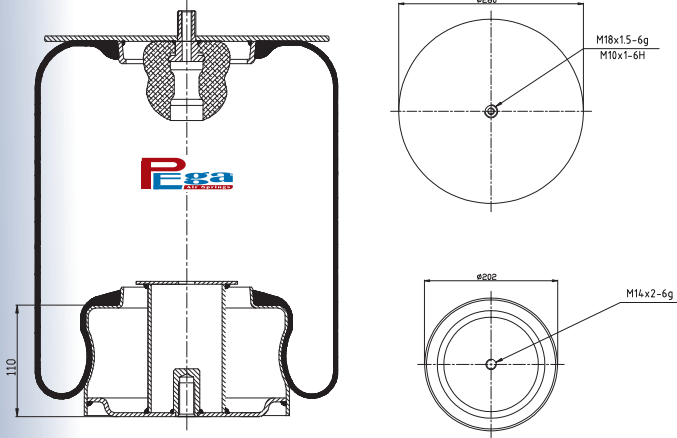
OE Part No

IRISBUS	5 000 805 999
---------	---------------

METAL PISTON

8 KG.

P10.769.C01



Cross References

CONTITECH 769 N

OE Part No

IRISBUS 5 000 785 792

METAL PISTON

8 KG.

P10.769.R



Cross References

CONTITECH 769 N
 FIRESTONE 1R1A 380 260
 W01 095 0204
 PHOENIX 1E 18
 TAURUS B 156
 DUNLOP UK PNP 305 140 100
 DUNLOP FR D 10S02
 GOODYEAR 8053
 CF GOMMA 1SC 240-30 97326

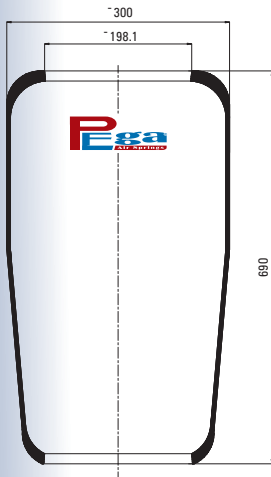
OE Part No

BREDA MENARINI 252 933
 DAEWOO 967 08574
 HEULIEZ 5 000 805 284
 HYUNDAI ./.
 IRISBUS 5 000 786 640
 IRISBUS 5 000 786 641
 IRISBUS 5 000 805 284
 SCANIA ./.
 VAN HOOL 624319-860

ROLL

1,3 KG.

P10.775.R



Cross References

CONTITECH 775 N

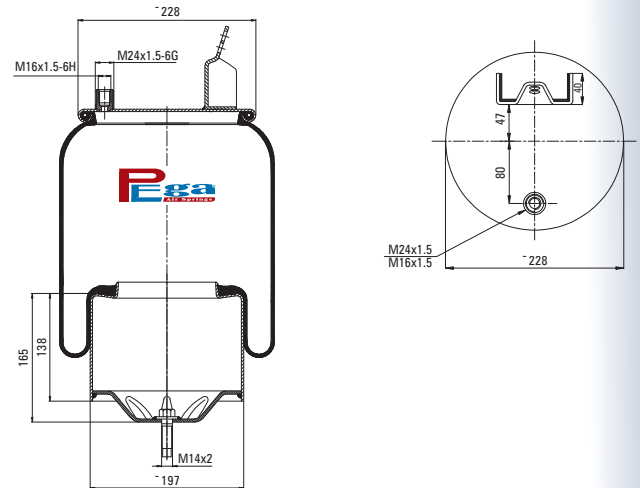
OE Part No

BPW 02 2002 4700
 GIGANT 196 038
 EVO BUS 4.731.040.000
 GRANNING 15.932
 KÄSSBOHRER 4 731 040 000
 KÖGEL 4 731 040 000

ROLL

5 KG.

P10.7803.C



Cross References

CONTITECH 6605 N P01
 FIRESTONE 1T15LNR6
 W01 M58 8472
 GOODYEAR 1R11-805
 DUNLOP D11B42

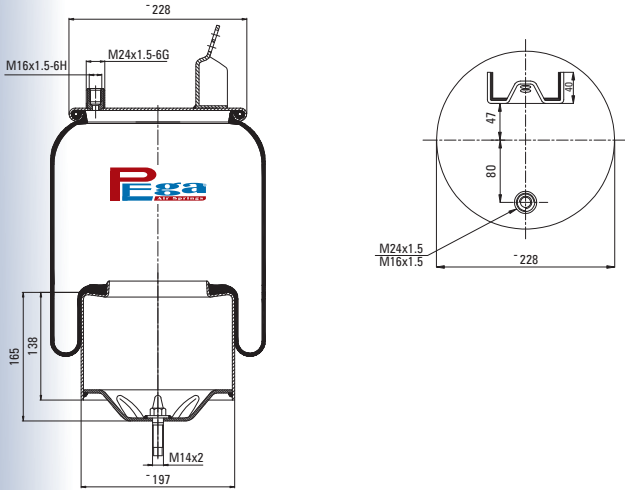
OE Part No

VOLVO 20 417 800
 VOLVO 20 427 803
 VOLVO 20 456 150
 VOLVO 20 531 984
 VOLVO 20 582 206
 VOLVO 3 171 692

METAL PISTON

7 KG.

P10.7803.C01



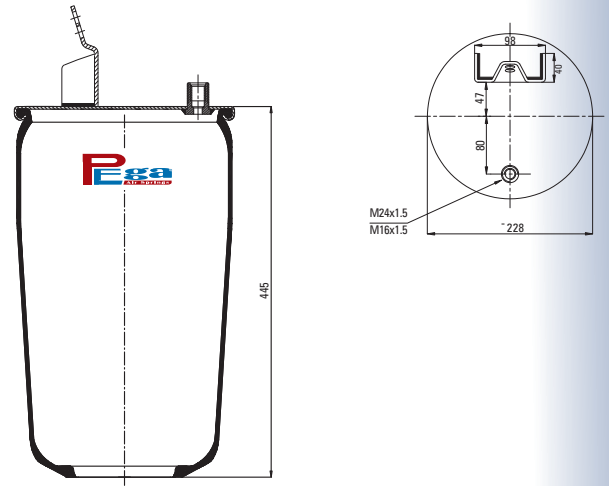
Cross References

OE Part No

METAL PISTON

7 KG.

P10.7803.S



Cross References

OE Part No

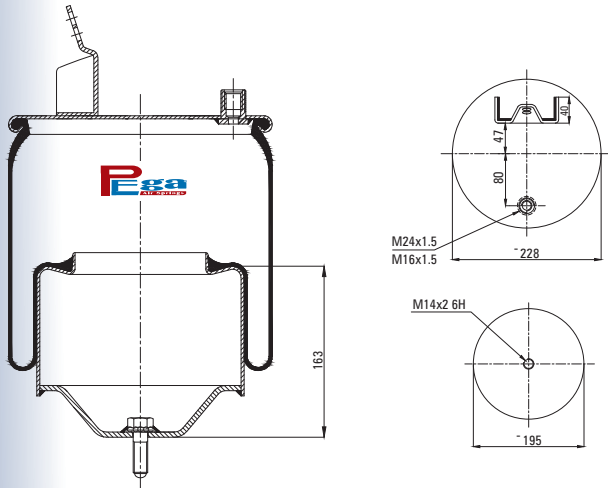
CONTITECH 7803 N

VOLVO 20 427 803

SERVICE ASSEMBLY

4 KG.

P10.7804.C



Cross References

OE Part No

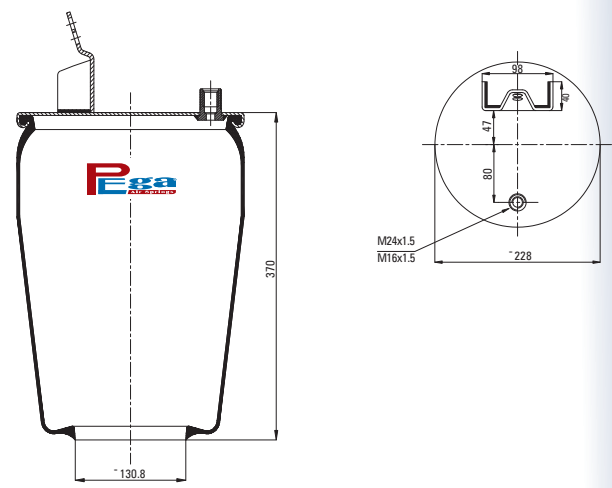
CONTITECH 6606 N P01
FIRESTONE 1T15LNR3
W01 M58 8477

VOLVO 20 427 801
VOLVO 20 427 804
VOLVO 20 456 154
VOLVO 20 531 986
VOLVO 20 582 209
VOLVO 3 171 694

METAL PISTON

6,8 KG.

P10.7804.S



Cross References

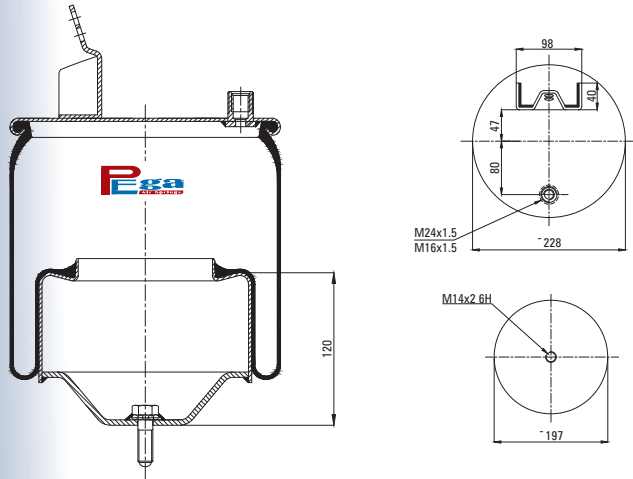
OE Part No

CONTITECH 7804 N

SERVICE ASSEMBLY

4 KG.

P10.7805.C

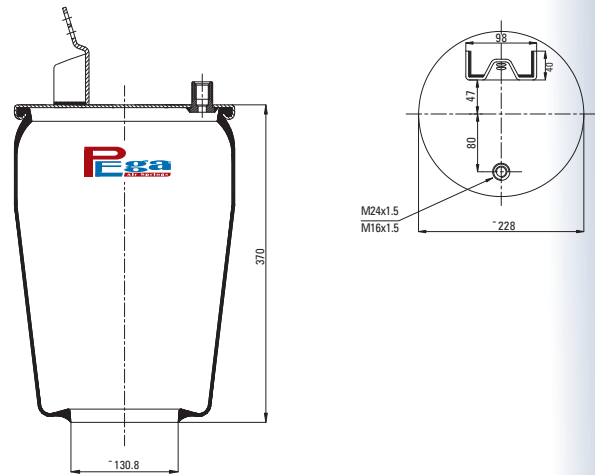


Cross References		OE Part No	
CONTITECH	7802 M	VOLVO	20 582 212
		VOLVO	20 531 988
		VOLVO	20 456 158
		VOLVO	20 427 802

METAL PISTON

6,5 KG.

P10.7805.S

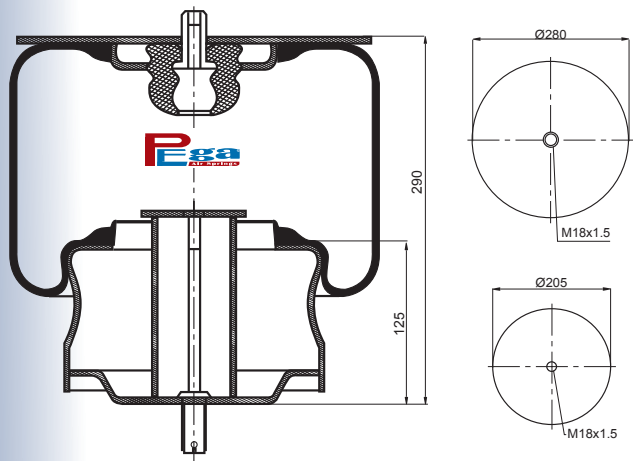


Cross References		OE Part No	

SERVICE ASSEMBLY

4 KG.

P10.782.C03

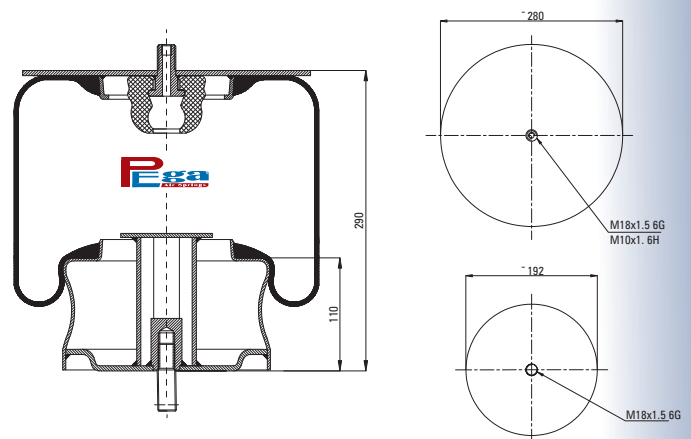


Cross References		OE Part No	
CONTITECH	783 MB-3	IRISBUS	5 010 190 888
		JONCKHEERE	26 160 2033 00
		ZF SACHS	0501 210 851

METAL PISTON

9,5 KG.

P10.782.C04

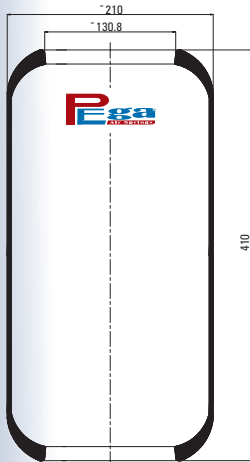


Cross References		OE Part No	
CONTITECH	782 N P04	AYATS	30201097
		IRISBUS	5 010 073 847

METAL PISTON

8 KG.

P10.782.R



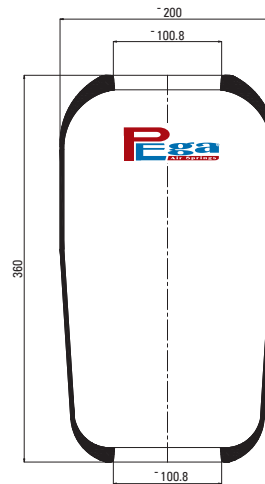
Cross References	
CONTITECH	782 N
FIRESTONE	1R1A 415-285
	W01 095 0197
TAURUS	B 124
DUNLOP FR	D11 S02
GOODYEAR	9013
CF GOMMA	1S 285-25 97555

OE Part No	
HYUNDAI	./.
IRISBUS	5 000 954 176
IRISBUS	5 000 324 098
IVECO BUS	500 324 098
IVECO	4.703.904
IVECO	4.703.972
IVECO	4.716.989
MERCEDES	A 382 327 7201
RENAULT V.I	5 000 954 176

ROLL

1,4 KG.

P10.786.R



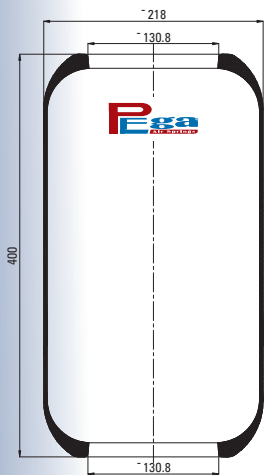
Cross References	
CONTITECH	786 N
FIRESTONE	1R2S 355 245
	W01 095 0436
PHOENIX	1 F 14

OE Part No	
MAN	81 43601 0053

ROLL

1,5 KG.

P10.789.R



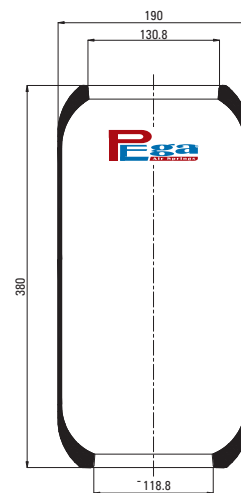
Cross References	
PHOENIX	1E 21B
GOODYEAR	9134
GOODYEAR	9131

OE Part No	
VOLVO	20540789
VOLVO	21836533

SERVICE ASSEMBLY

1,5 KG.

P10.792.R



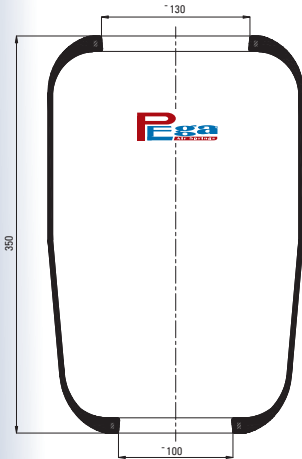
Cross References	
PHOENIX	1E 18E
GOODYEAR	9133
GOODYEAR	9132

OE Part No	
VOLVO	21836531
VOLVO	21347075
VOLVO	20540792

SERVICE ASSEMBLY

1,5 KG.

P10.807.R

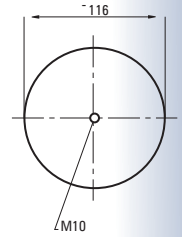


Cross References		OE Part No	
GOODYEAR	9130	IVECO	98411807
CF GOMMA	1SC260-32		

ROLL

1,2 KG.

P10.809.ST



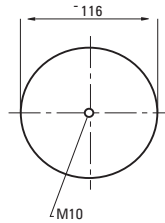
Cross References		OE Part No	
CONTITECH	809 NT	MAN	81 43601 0025/50
PHOENIX	1D23B-2		
CF GOMMA	1T320SP		
FIRESTONE	1T15L-6		
	W01 M58 0031		

W/O PLATE

SERVICE ASSEMBLY

3 KG.

P10.809.STB

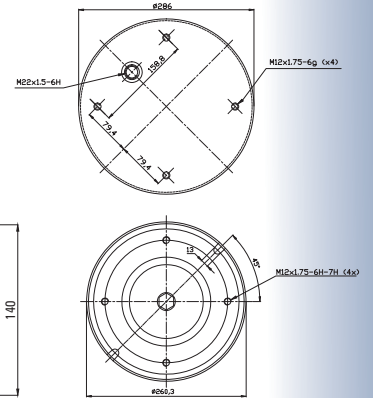
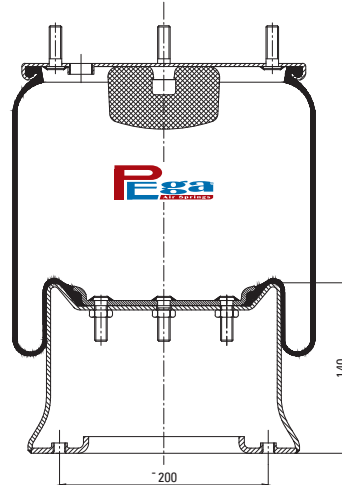


Cross References		OE Part No	
CONTITECH	809 NTB	DAF	
FIRESTONE	1T15L-6	PEGASO	
	W01 M58 0687	MAN	81 43601 6002
GOODYEAR	1R12-709		

W/O PLATE
SERVICE ASSEMBLY

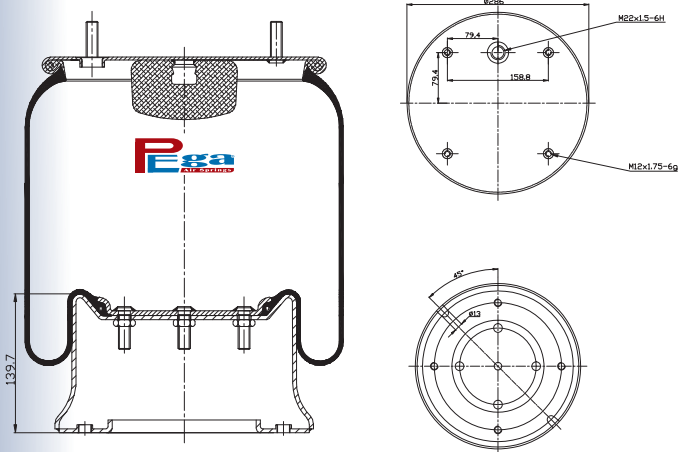
4 KG.

P10.810.C



Cross References		OE Part No	
CONTITECH	810 MB	HENDRICKSON	506 243/785 168
FIRESTONE	1T19L-7	NEWAY	212 156 32
	W01 M58 6345	ROR	2120 8032/2121 5632
PHOENIX	1 D 28 A-2	SAF HOLLAND	2 228 0002 00
TAURUS	KR 621-26	WEWELER	US 0062/US 07337
DUNLOP UK	PNP311780000	DAF	1 384 273
DUNLOP FR	D13B20	YORK	785168
GOODYEAR	1R14-716	VOLVO	1 080 707
CF GOMMA	1T19E-1	SAMRO	25008
CF GOMMA	2 87413/1	RENAULT VI.	5 000 452 939
		IVECO	998 84 67
METAL PISTON			10,5 KG.

P10.810.C02



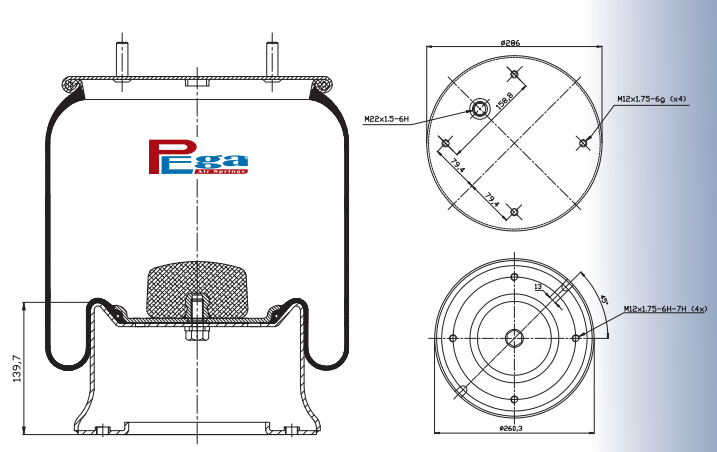
Cross References

OE Part No

METAL PISTON

10,5 KG.

P10.810.C04



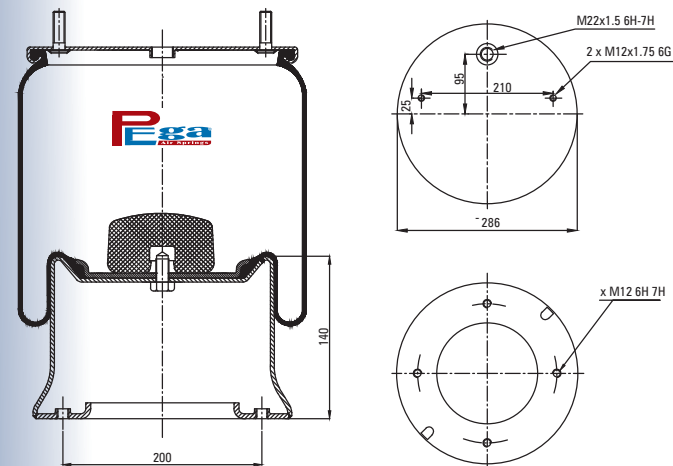
Cross References

OE Part No

METAL PISTON

10,5 KG.

P10.810.C1



Cross References

OE Part No

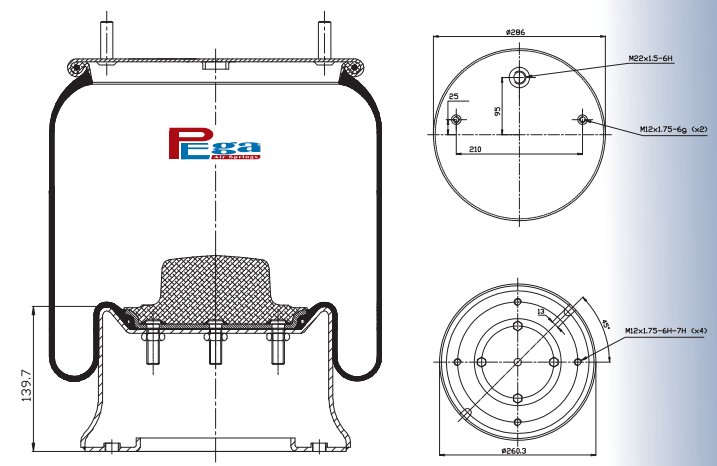
FIRESTONE 1T19L-7
W01 M58 6225

WEWELER US07337

METAL PISTON

10,5 KG.

P10.810.C3



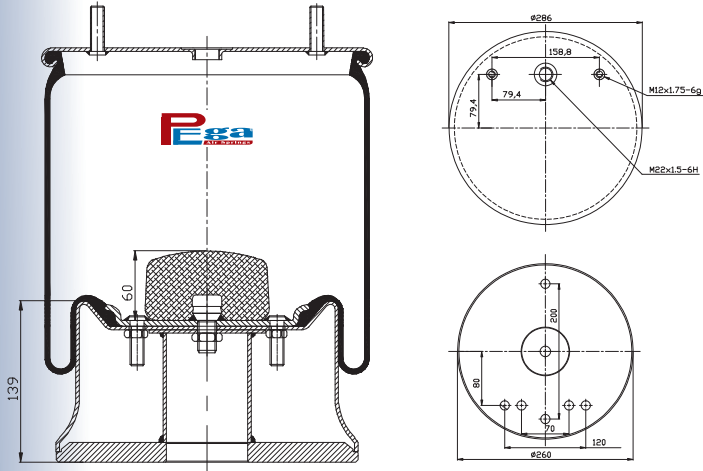
Cross References

OE Part No

METAL PISTON

10,5 KG.

P10.810.COZ



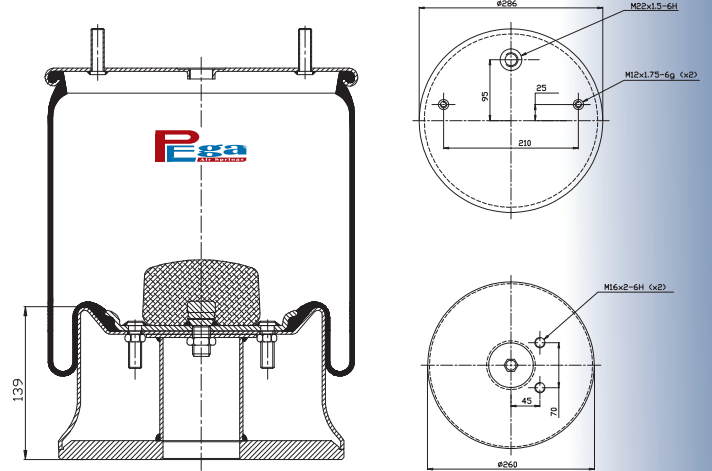
Cross References

OE Part No

METAL PISTON

16 KG.

P10.810.COZ2



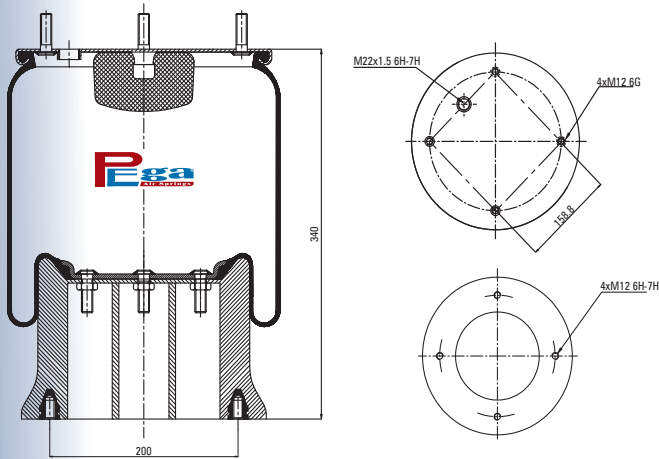
Cross References

OE Part No

METAL PISTON

16 KG.

P10.810.CP



Cross References

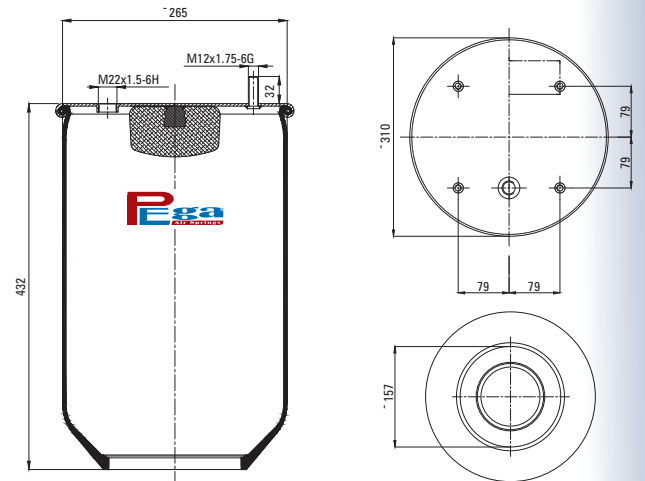
OE Part No

FIRESTONE 1T19L-7
FIRESTONE W01 M58 8775

PLASTIC PISTON

9 KG.

P10.810.S



Cross References

OE Part No

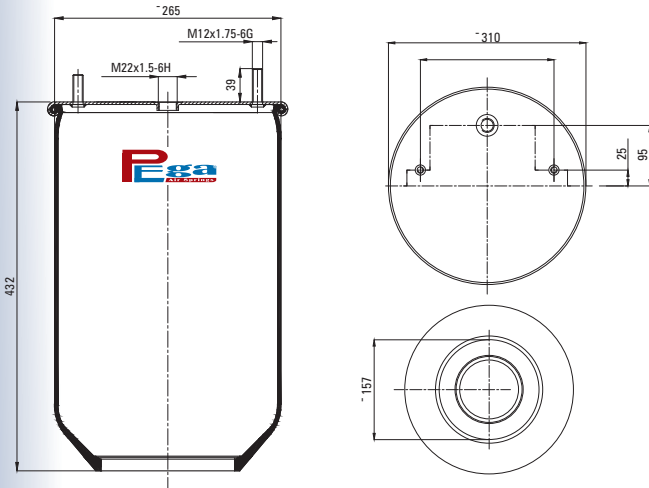
CONTITECH 810 MB/0
FIRESTONE 1T19L-7
W01 M58 7237

ROR ./.
SAF HOLLAND ./.

SERVICE ASSEMBLY

5 KG.

P10.810.S1



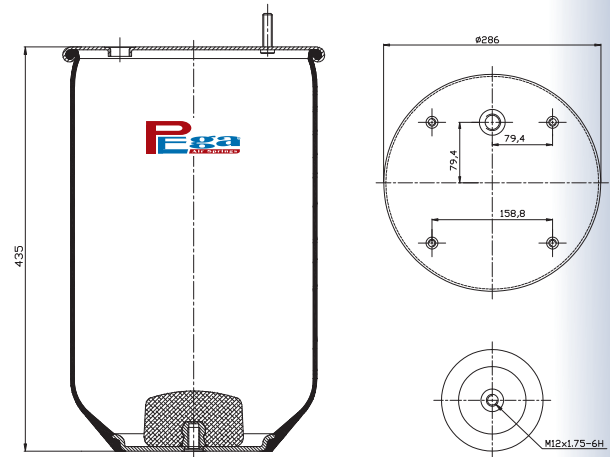
Cross References

OE Part No

SERVICE ASSEMBLY

5 KG.

P10.810.S2



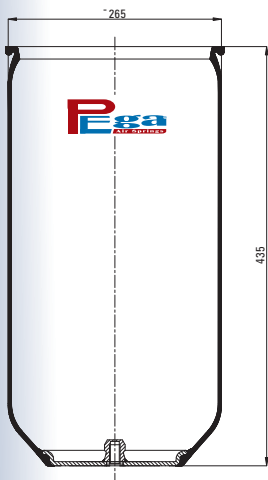
Cross References

OE Part No

SERVICE ASSEMBLY

5 KG.

P10.810.ST



Cross References

OE Part No

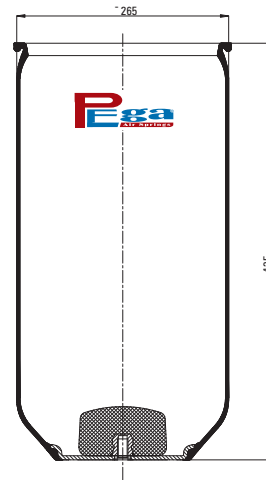
CONTITECH	810 NT
FIRESTONE	1T19L-7
	W01 M58 0491

MAN	81 43601 0047
-----	---------------

W/O PLATE
SERVICE ASSEMBLY

4 KG.

P10.810.STB



Cross References

OE Part No

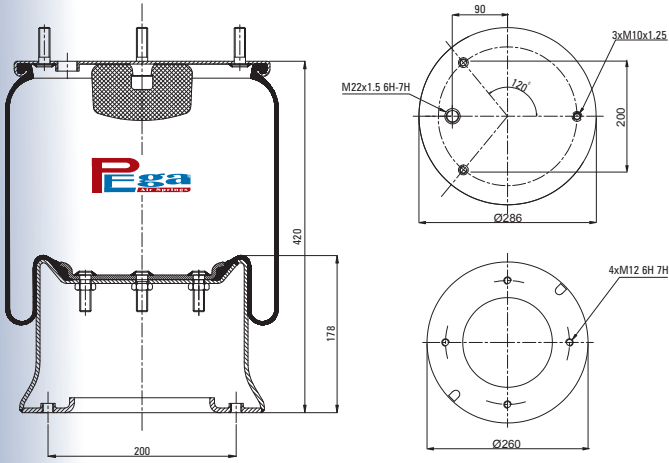
CONTITECH	810 NTB
FIRESTONE	1T19L-7
	W01 M58 0749

MAN	81 43601 6019
PEGASO	174933

W/O PLATE
SERVICE ASSEMBLY

4,5 KG.

P10.811.C



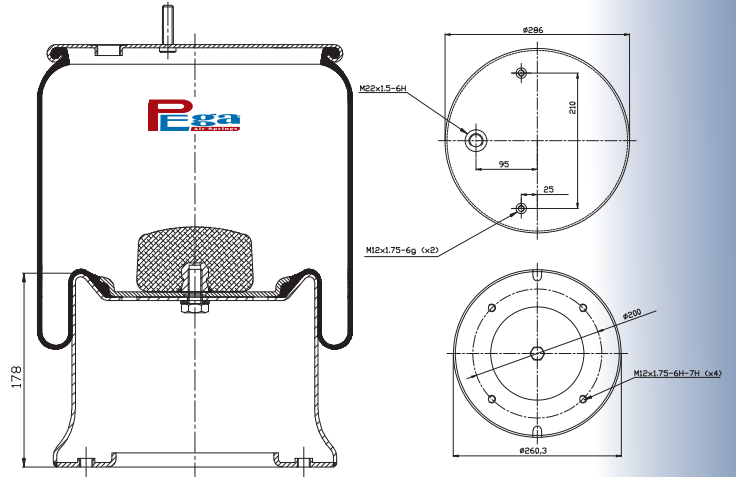
Cross References	
CONTITECH	811 MB
FIRESTONE	1T19L-11
	W01 M58 6359
DUNLOP FR	D13B34
GOODYEAR	1R14-718
CF GOMMA	1T19-E2 203878

OE Part No	
DAF	1 384 274
RENAULT	5 000 745 918

METAL PISTON

13 KG.

P10.811.C11



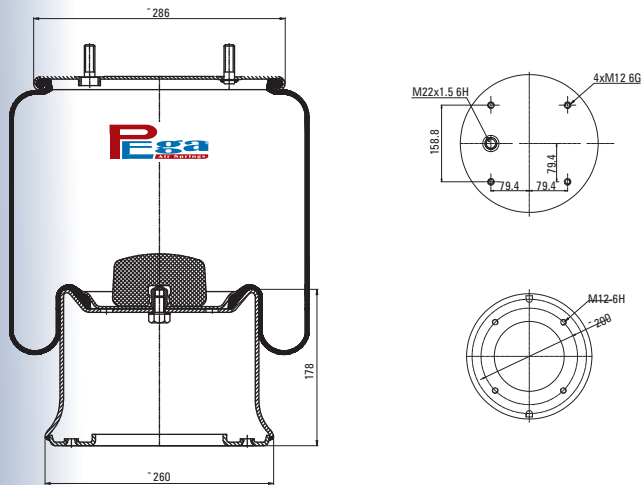
Cross References	

OE Part No	

METAL PISTON

13 KG.

P10.811.C12



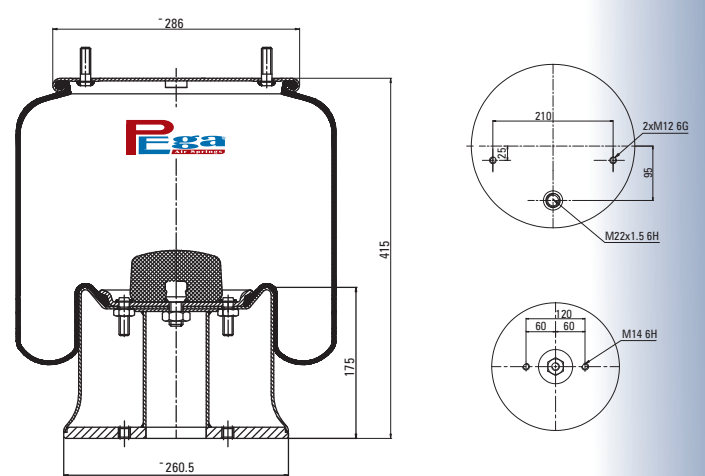
Cross References	
DUNLOP	D14 B51
FIRESTONE	1T19L-11
FIRESTONE	W01 M58 6339
FIRESTONE	W01 M58 7370
GOOD YEAR	1R14-721

OE Part No	
R.O.R./MERITOR	212 15 633

METAL PISTON

13 KG.

P10.811.C16



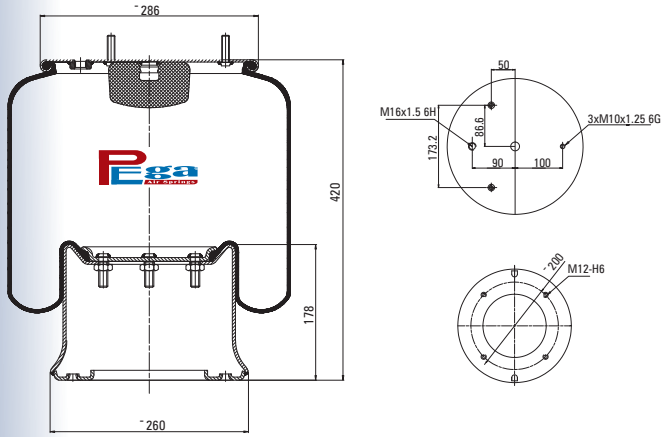
Cross References	
FIRESTONE	1T19L-11

OE Part No	

METAL PISTON

14 KG.

P10.811.C17

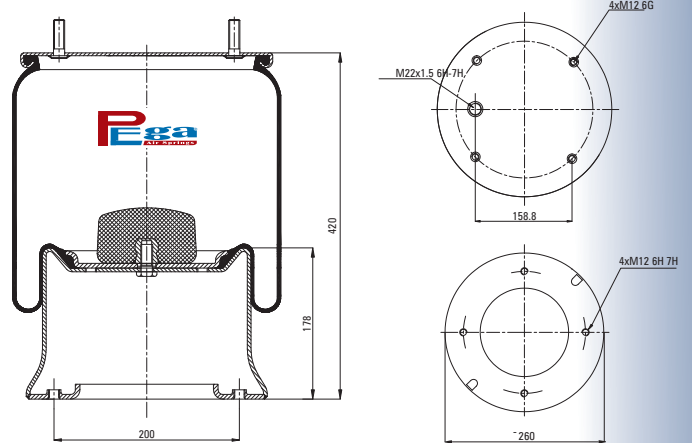


Cross References		OE Part No	
CONTITECH	811 M16 K1	DAF	0 067 306
DUNLOP	D13 B36		
FIRESTONE	1T19L-11		
FIRESTONE	W01 M58 6334		
GOOD YEAR	1R14-719		
PHOENIX	1D 28 B-7		
TAURUS	KR 622-31		

METAL PISTON

13 KG.

P10.811.C2

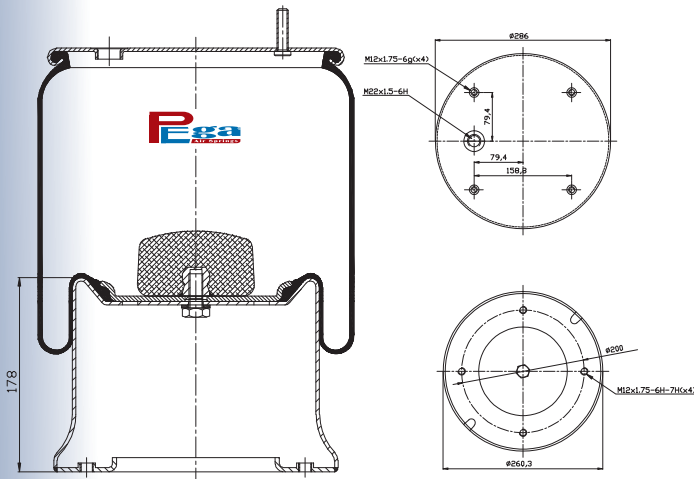


Cross References		OE Part No	
CONTITECH	811 MB		

METAL PISTON

13 KG.

P10.811.C4

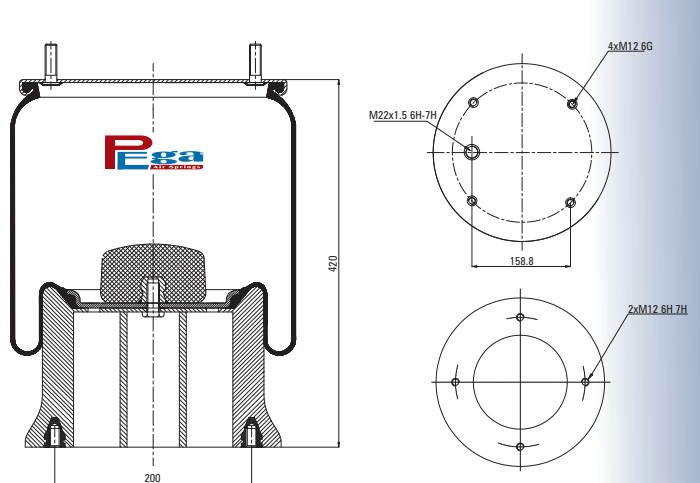


Cross References		OE Part No	

METAL PISTON

13 KG.

P10.811.CP2

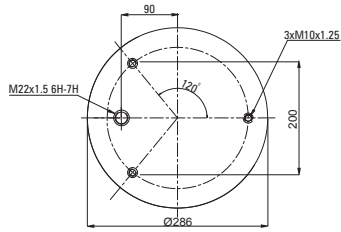


Cross References		OE Part No	

PLASTIC PISTON

10 KG.

P10.811.S



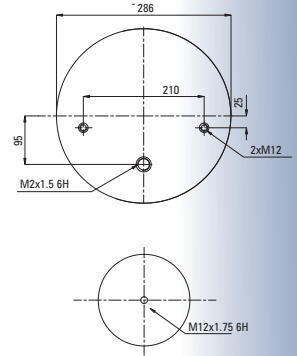
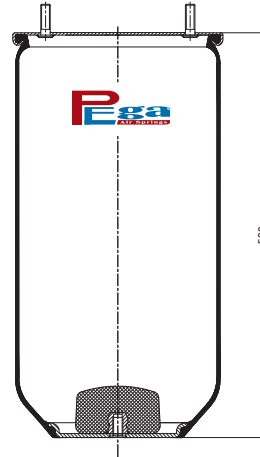
Cross References	
CF GOMMA	1 T 19 E-2
CONTITECH	811 MB/O
DUNLOP	PNP 311670000
DUNLOP	SP 2066
FIRESTONE	1T19F-11
FIRESTONE	W01 M58 6359
PHOENIX	1 D 28 B-2
TAURUS	K 622-26 SM

OE Part No	
DAF	526 823
DAF BUS	0067306
EVOM BUS	4731029000

SERVICE ASSEMBLY

4,5 KG.

P10.811.S1



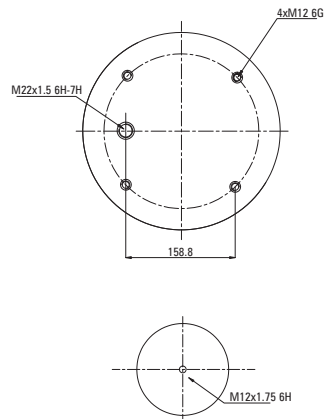
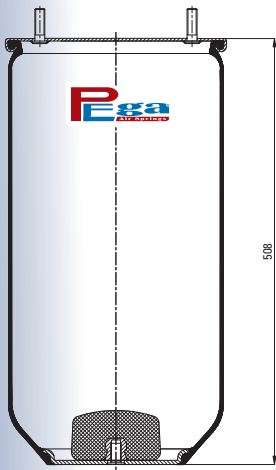
Cross References	
CONTITECH	811 M

OE Part No	
DAF	0 067 306
DAF	0 676 122

SERVICE ASSEMBLY

5 KG.

P10.811.S2



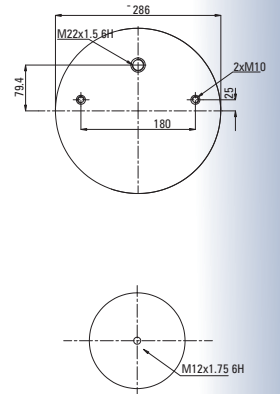
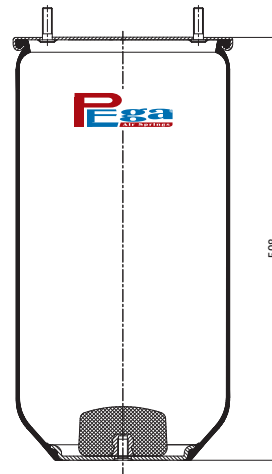
Cross References	

OE Part No	

SERVICE ASSEMBLY

5 KG.

P10.811.S4



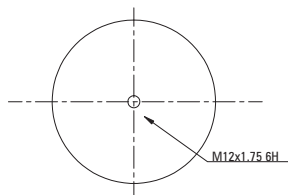
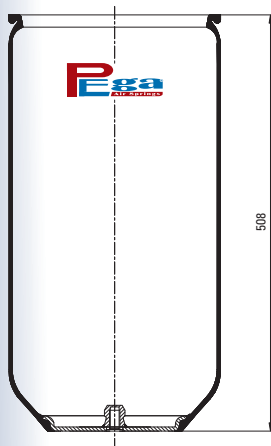
Cross References	

OE Part No	

SERVICE ASSEMBLY

5 KG.

P10.811.ST



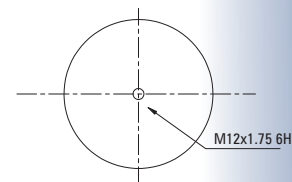
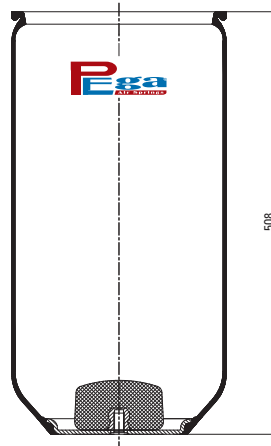
Cross References	
CONTITECH	811 NT
DUNLOP	D13A02
FIRESTONE	1T19L-10
FIRESTONE	W01 M58 0028
GOOD YEAR	1R14-715
PHOENIX	1 DK 28
TAURUS	UR 622-03

OE Part No	
KASSBOHRER	4.731.029.000
MAN	81.43601.0035
MAN	81.43601.0048

SERVICE ASSEMBLY
W/O PLATE

3,5 KG.

P10.811.STB



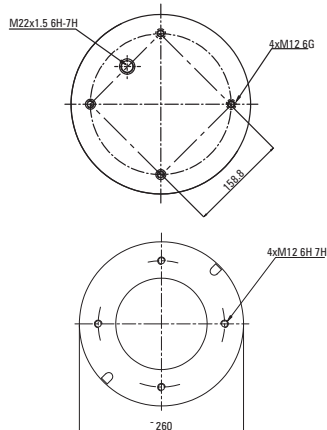
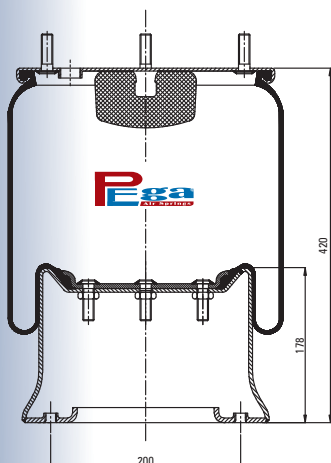
Cross References	
CONTITECH	811 NTB
DUNLOP	D14U49
FIRESTONE	1T19L-10
FIRESTONE	W01 M58 0747
GOOD YEAR	1R14-739
PHOENIX	1 DK 28 B-4

OE Part No	
KASSBOHRER	4.731.029.000
MAN	81.43601.0035
MAN	81.43601.0048

SERVICE ASSEMBLY
W/O PLATE

4 KG.

P10.813.C



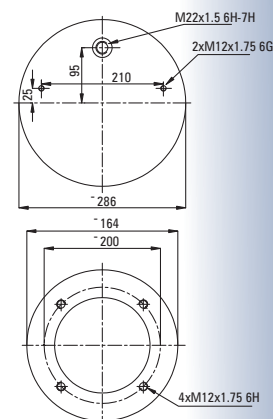
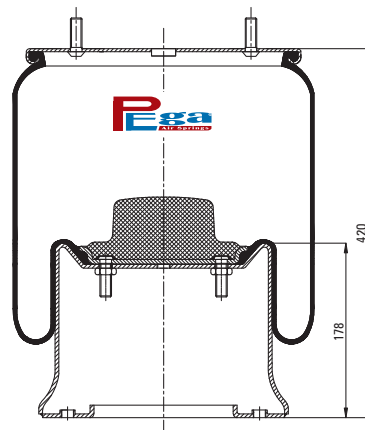
Cross References	
CONTITECH	813 MB
FIRESTONE	1T19L-11
FIRESTONE	W01 M58 6364
PHOENIX	1D 28 B-2
TAURUS	KR 622-26
DUNLOP UK	PNP 311 770 000
DUNLOP FR	D13 B19
GOODYEAR	1R14-705
CF GOMMA	1T 19E-2

OE Part No	
HENDRICKSON	505 859/785170/B2063
KÄSSBOHRER	4 731 030 000
KÄSSBOHRER	4 731 033 000
ROR	2121 5633
SAF HOLLAND	2 229 0003 00
WEWELER	US 07345/US 87408
DAF	1 384 274
FRUEHAUF	003615E
BARTOLETTI	91619005
RENAULT V.I	5 010 130 925
SAMRO	2500009

METAL PISTON

12 KG.

P10.813.C1



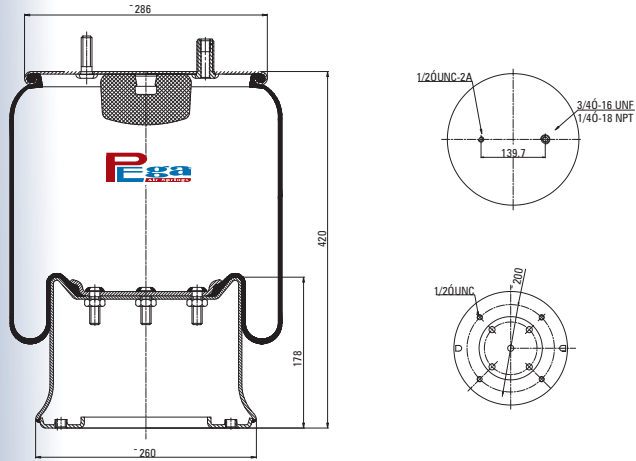
Cross References	
------------------	--

OE Part No	
------------	--

METAL PISTON

12 KG.

P10.813.C15



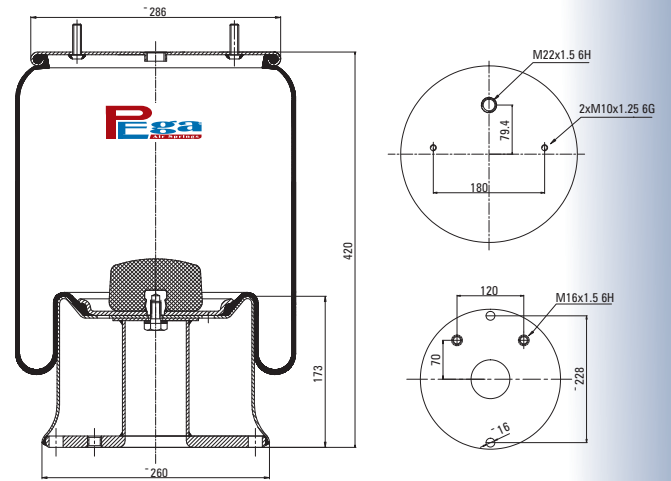
Cross References

OE Part No

METAL PISTON

12 KG.

P10.813.C17



Cross References

OE Part No

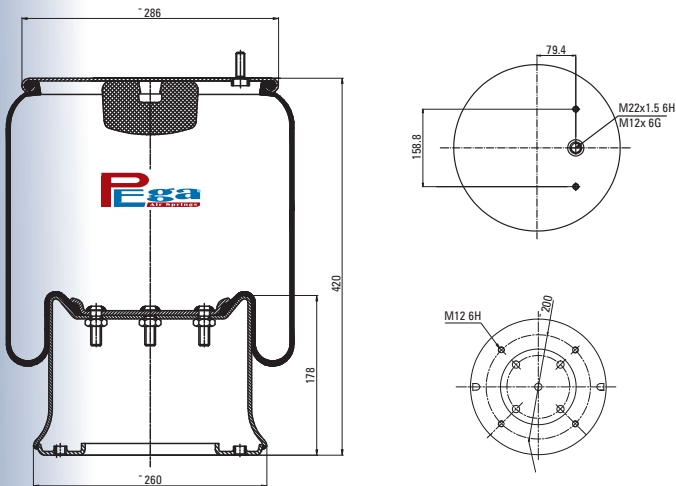
FIRESTONE	1T 19L-11
FIRESTONE	W01 M58 6361
GOOD YEAR	1R14-706
PHOENIX	1 DK 28 B-7

BARTOLETTI	91619011
BATTAGLINO	2211401
CARDI	58050700
VIBERTI	128147102
ZORZI	1006553

METAL PISTON

13,5 KG.

P10.813.C18



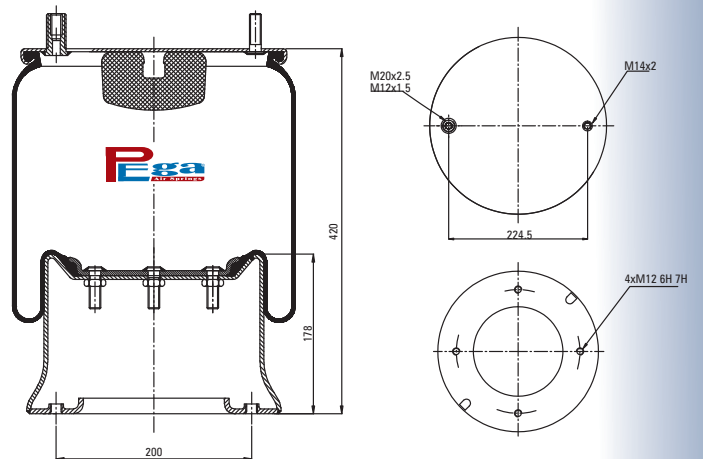
Cross References

OE Part No

METAL PISTON

12 KG.

P10.813.C2



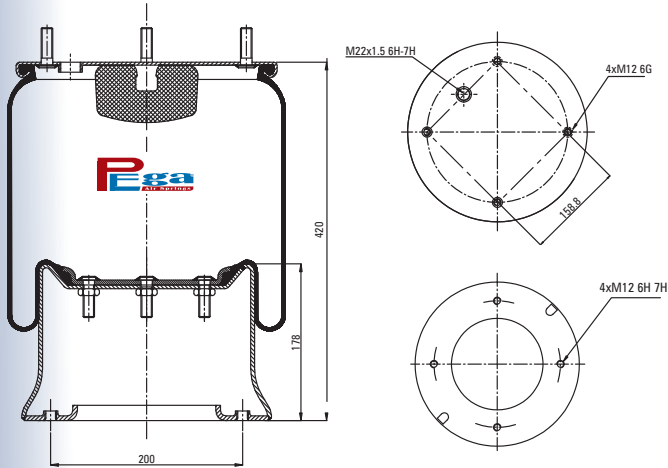
Cross References

OE Part No

METAL PISTON

12 KG.

P10.813.C3



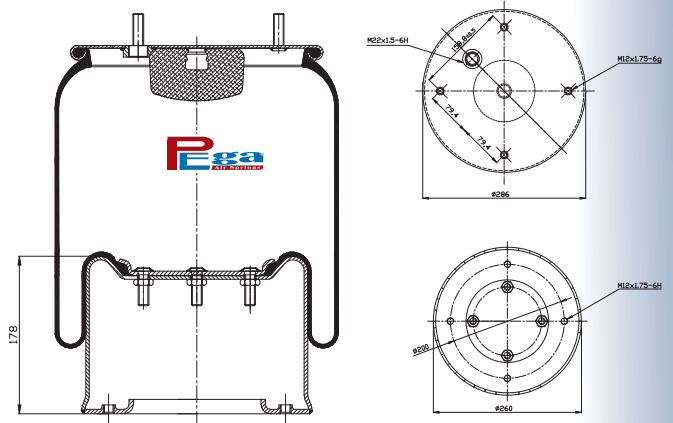
Cross References

OE Part No

METAL PISTON

12 KG.

P10.813.C4



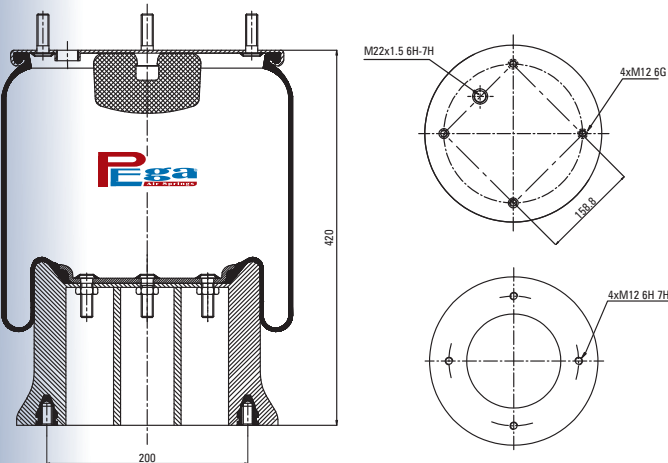
Cross References

OE Part No

METAL PISTON

12 KG.

P10.813.CP



Cross References

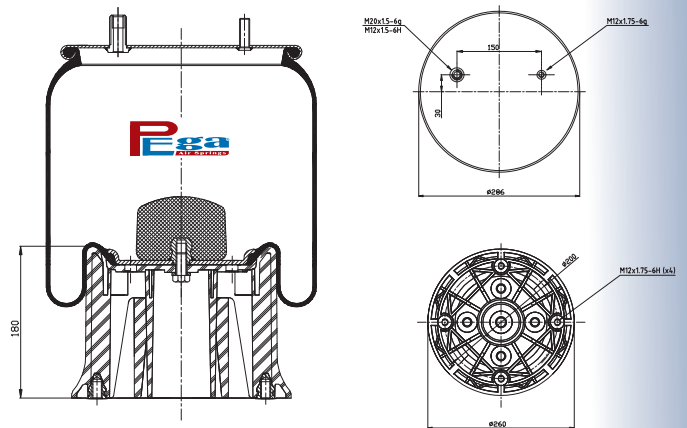
OE Part No

FIRESTONE 1T19L-11
FIRESTONE W01 M58 6339

PLASTIC PISTON

9 KG.

P10.813.CP02



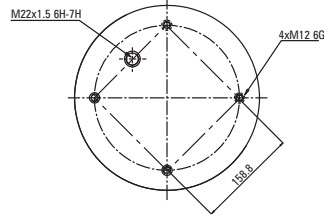
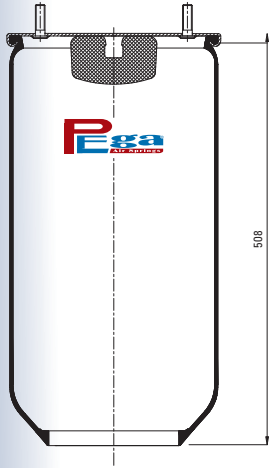
Cross References

OE Part No

PLASTIC PISTON

9 KG.

P10.813.S



Cross References

CONTITECH	813 MB/O
FIRESTONE	1T19L-11
	W01 M58 7238

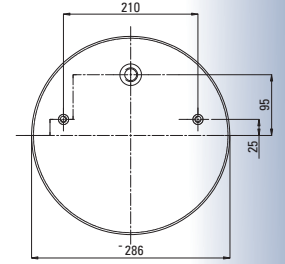
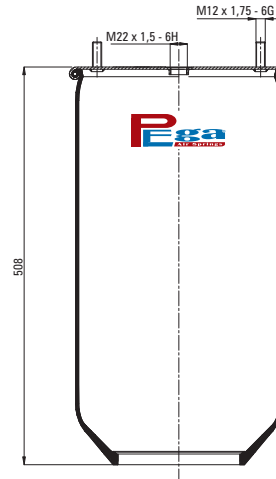
OE Part No

ROR	/.
SAF HOLLAND	/.

SERVICE ASSEMBLY

5,5 KG.

P10.813.S1



Cross References

Empty table for cross references.

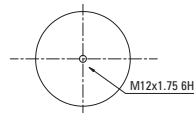
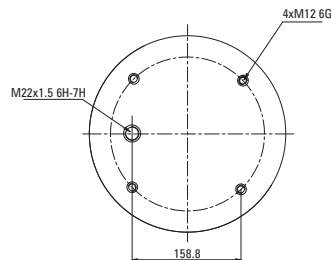
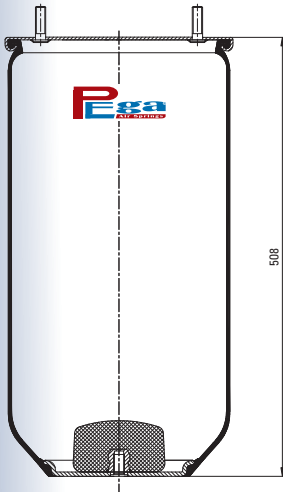
OE Part No

Empty table for OE part numbers.

SERVICE ASSEMBLY

5,5 KG.

P10.813.S2



Cross References

Empty table for cross references.

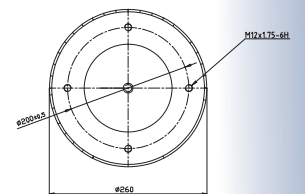
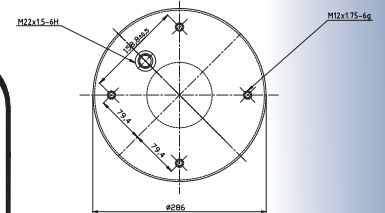
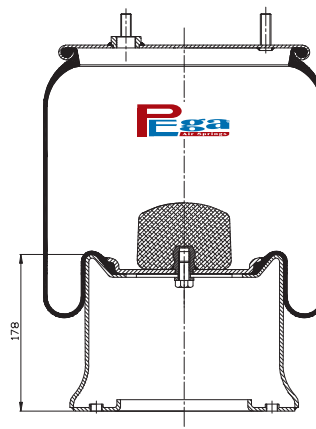
OE Part No

Empty table for OE part numbers.

SERVICE ASSEMBLY

5,5 KG.

P10.813.SHC



Cross References

Empty table for cross references.

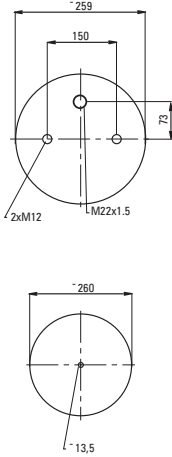
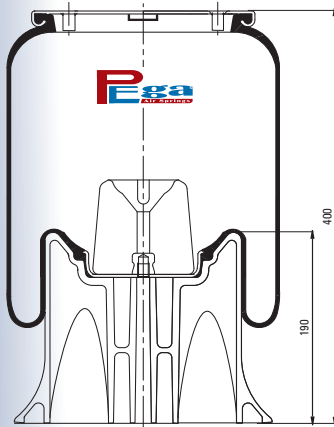
OE Part No

Empty table for OE part numbers.

METAL PISTON

13 KG.

P10.8185.CP



Cross References

FIRESTONE 1T15MPW-9
W01 M58 8185

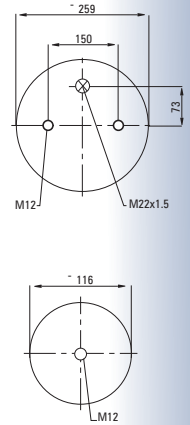
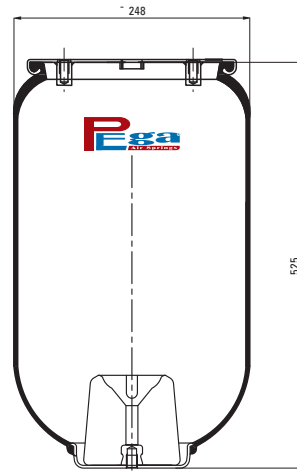
OE Part No

SCHMITZ 750 999
WEWELER US 06285 F

PLASTIC PISTON

6,8 KG.

P10.8185.S



Cross References

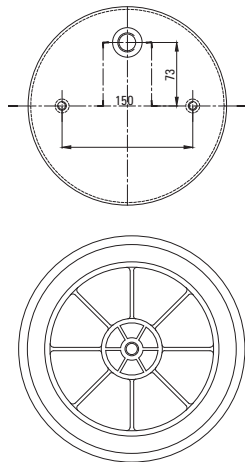
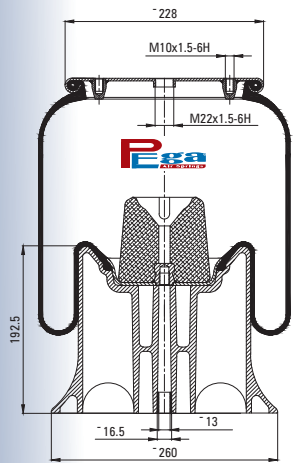
FIRESTONE 1T15MPW-9
W01 M58 6257

OE Part No

SERVICE ASSEMBLY

5 KG.

P10.8186.CP



Cross References

FIRESTONE 1T15MPW-7
W01 M58 8186
PHOENIX 1DK20A1

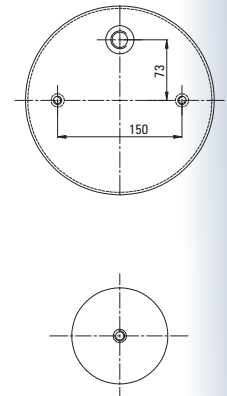
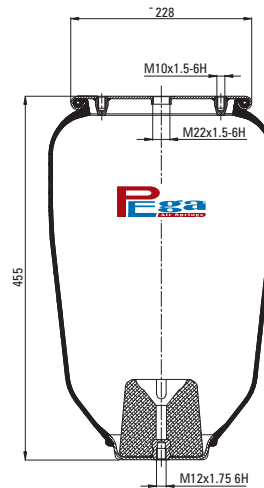
OE Part No

WEWELER US06316F
SCHMITZ TRAILER 751065

PLASTIC PISTON

6,6 KG.

P10.8186.S



Cross References

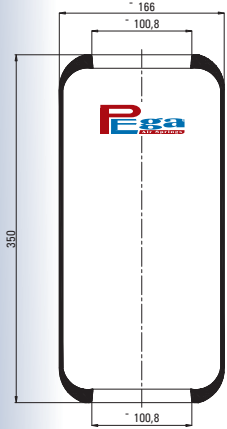
FIRESTONE 1T15MPW-7
W01 M58 8194

OE Part No

SERVICE ASSEMBLY

4,5 KG.

P10.819.R

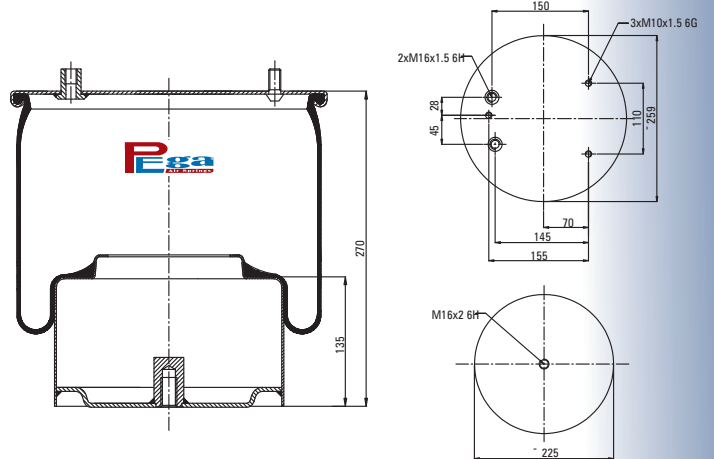


Cross References		OE Part No	
CONTITECH	819 N	BREDA MENARINI	192709
FIRESTONE	1R1S350225	MERCEDES	A 000 328 01 01
	W010950543		

ROLL

1 KG.

P10.836.2C1

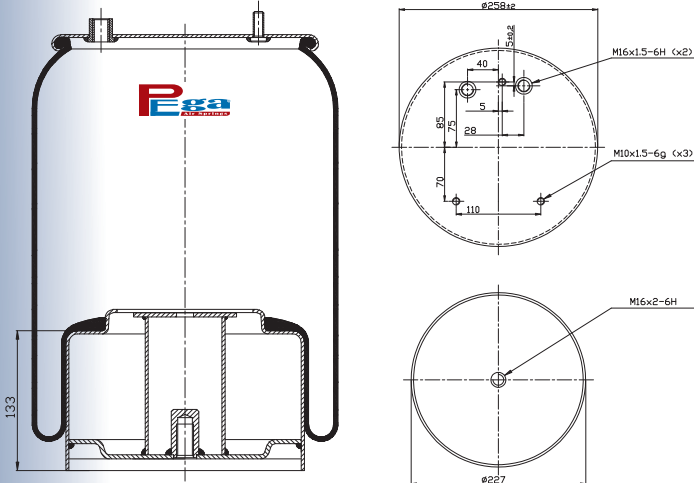


Cross References		OE Part No	
CONTITECH	836 M2 K1	DAF	0 388 167
FIRESTONE	1T17AR-4.5		
	W01 M58 8721		
PHOENIX	11DF 25-13		
TAURUS	KR 721-03		
DUNLOP FR	D13 B31		
GOODYEAR	1R12-711		

METAL PISTON

7,8 KG.

P10.836.2C8

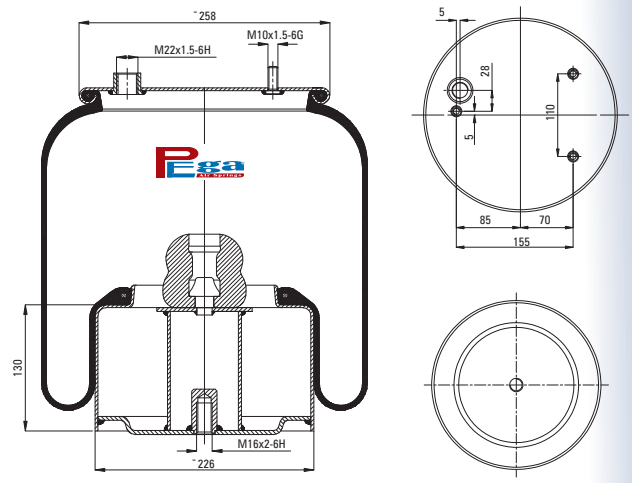


Cross References		OE Part No	
CONTITECH	836 M2 K8	DAF	0083656
FIRESTONE	1T17AR-4.5		
	W01 M58 8703		

METAL PISTON

8,8 KG.

P10.836.C05

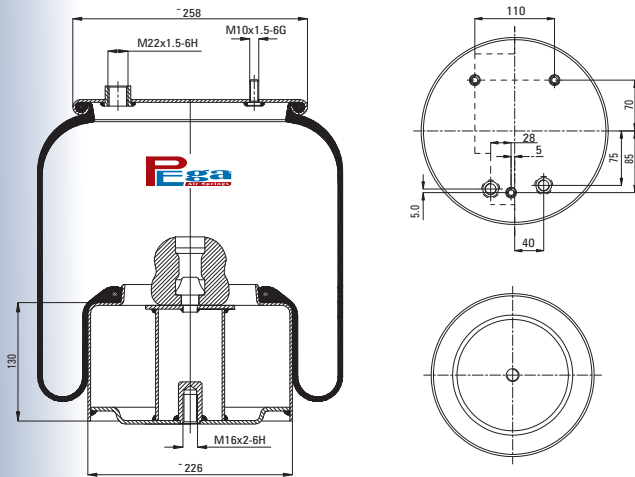


Cross References		OE Part No	
CONTITECH	836 N P05	VDL BUS	1 153 933

METAL PISTON

10 KG.

P10.836.C09



Cross References

CONTITECH 836 NP09

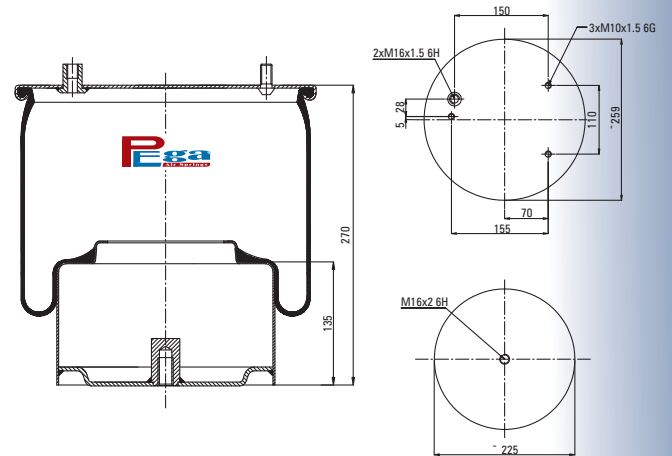
OE Part No

DAF 1 622 849
DAF 1 697 683

METAL PISTON

9,5 KG.

P10.836.C1



Cross References

CONTITECH 836 M K1
FIRESTONE 1T17AR-4.5
W01 M58 8722
PHOENIX 1 DF 25-11
TAURUS KR 721-06
DUNLOP FR D13B32
GOODYEAR 1R12-712

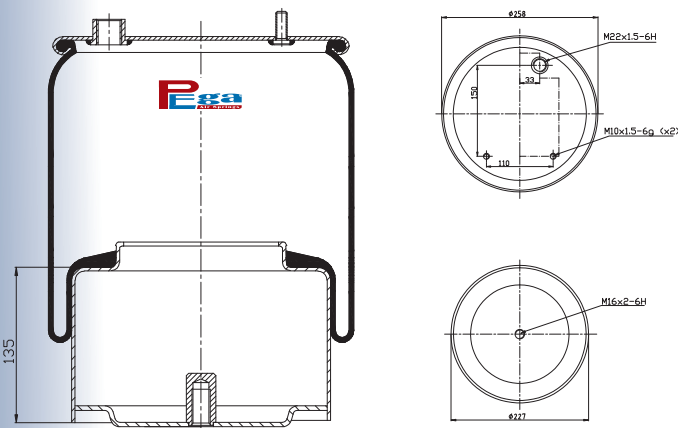
OE Part No

DAF 946 328 04 01
DAF HS 251087
VDL BUS

METAL PISTON

7,5 KG.

P10.836.C10



Cross References

CONTITECH 836 NP10
GOODYEAR 1R12-849

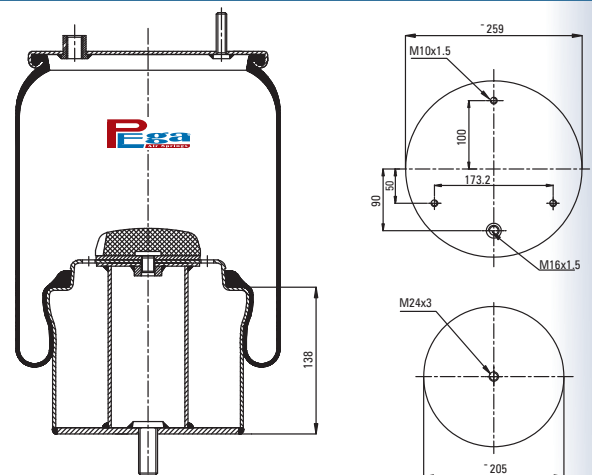
OE Part No

DAF 1794420

METAL PISTON

9,5 KG.

P10.836.C11



Cross References

CONTITECH 836 MK11
1T17AR-4.5
W01M588714

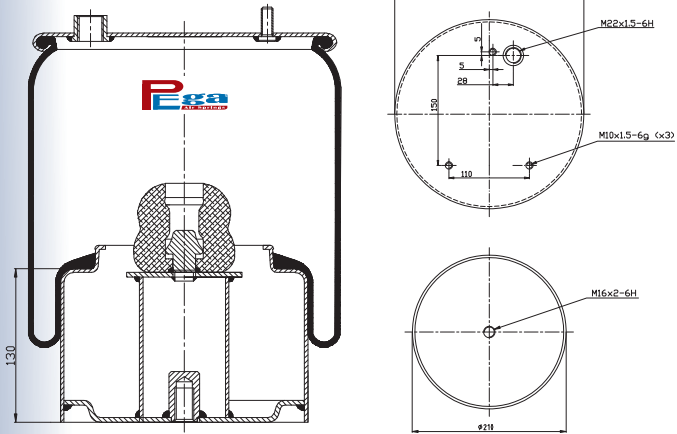
OE Part No

DAF 1266381
DAF 1697679

METAL PISTON

9,5 KG.

P10.836.C14



Cross References

CONTITECH 836 N P14

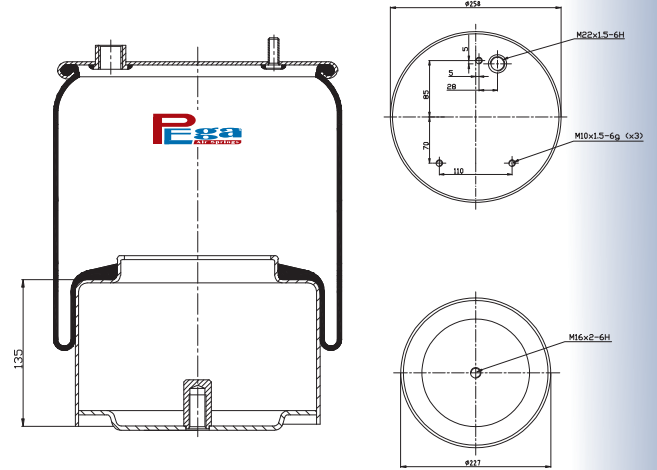
OE Part No

VDL BUS 45015337
VDL BUS 5015337

METAL PISTON

9,5 KG.

P10.836.C16



Cross References

CONTITECH 836 N P16

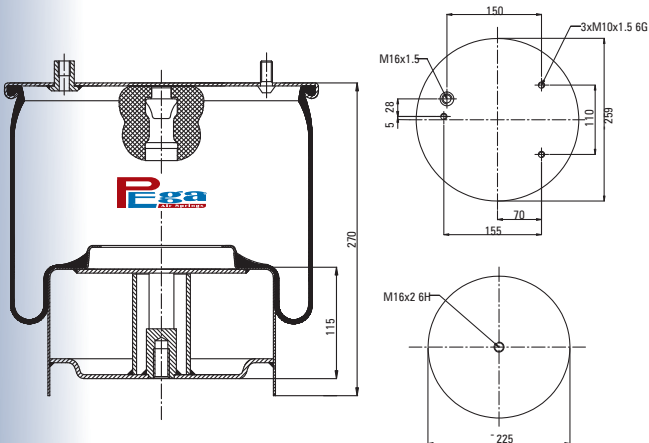
OE Part No

VDL BUS 30023245
VDL BUS 45015338
VDL BUS 5015338

METAL PISTON

9,5 KG.

P10.836.C4



Cross References

CONTITECH 836 MB K4
FIRESTONE 1T17AR-4.5
W01 M58 8705
PHOENIX 1DF 25-14

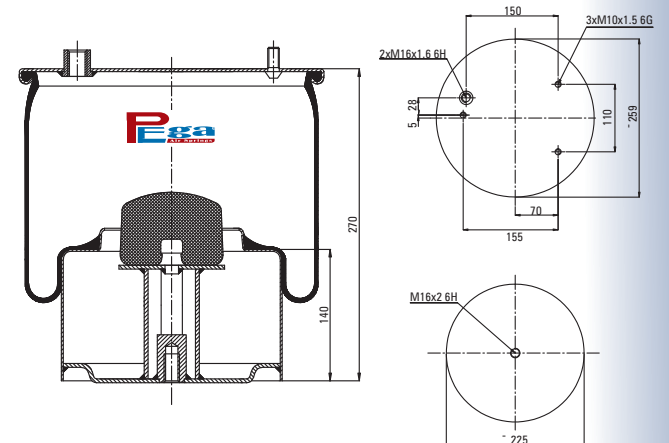
OE Part No

VDL BUS 0 377 498

METAL PISTON

10 KG.

P10.836.C6



Cross References

CONTITECH 836 MB K6
FIRESTONE 1T17AR-4.5
W01 M58 8701
PHOENIX 1DF 25-15

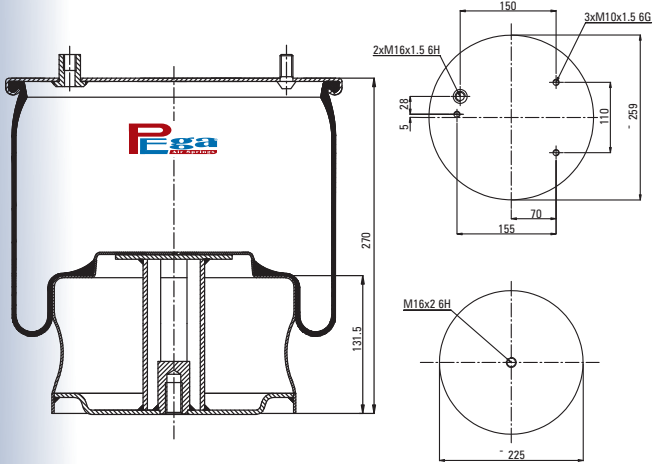
OE Part No

DAF 0 526 651
VDL BUS 0 526 651

METAL PISTON

10 KG.

P10.836.C7



Cross References

CONTITECH 836 M K7

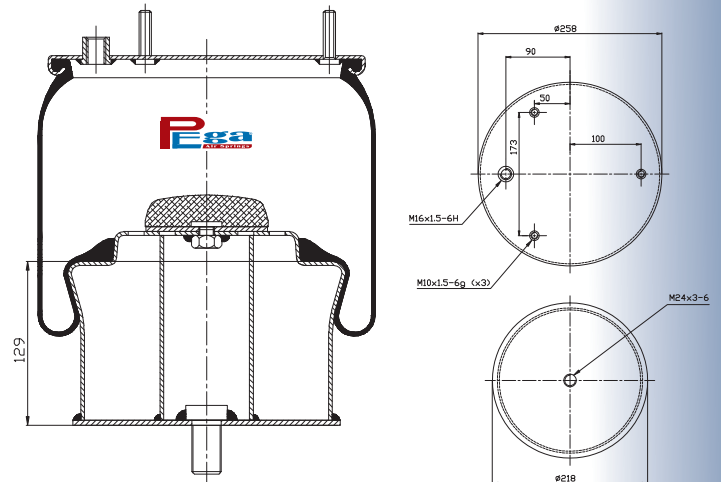
OE Part No

DAF 0 297 721

METAL PISTON

9,5 KG.

P10.836.CB



Cross References

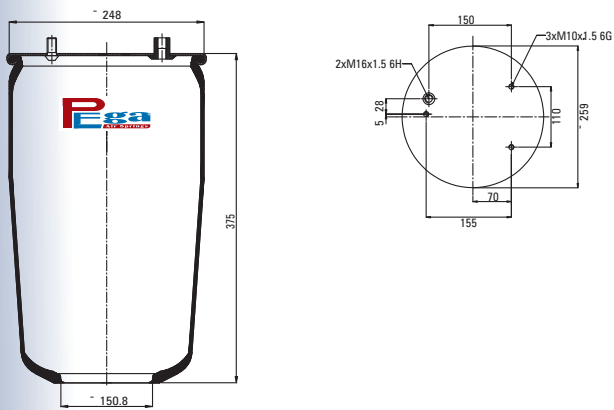
OE Part No

BMC

METAL PISTON

9,5 KG.

P10.836.S



Cross References

CONTITECH 836 M
 FIRESTONE 1T17AR-4.5
 W01 M58 0776
 GOODYEAR 1R12-700

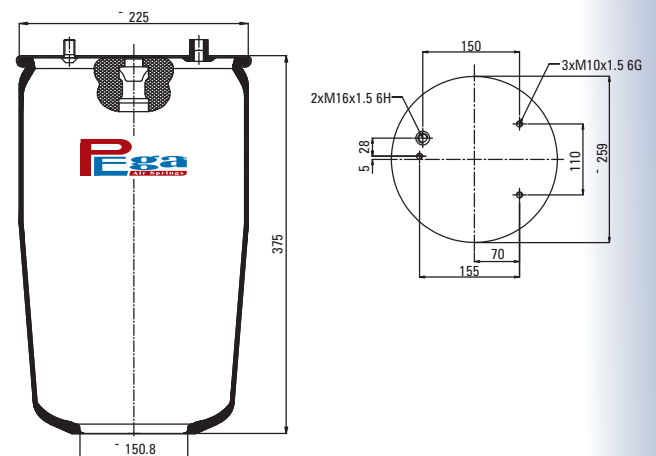
OE Part No

DAF 0 067 504

SERVICE ASSEMBLY

3,6 KG.

P10.836.S1



Cross References

CONTITECH 836 MB

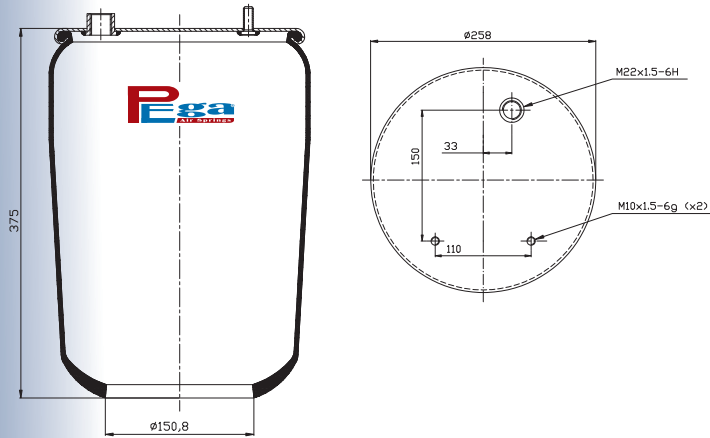
OE Part No

VDL BUS 0513 985

SERVICE ASSEMBLY

3,6 KG.

P10.836.S10



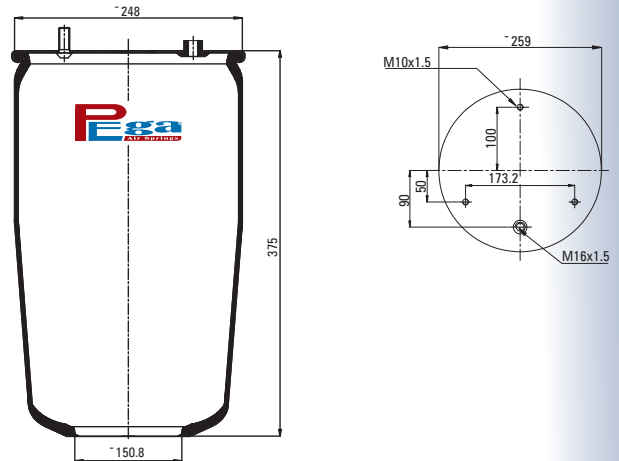
Cross References

OE Part No

SERVICE ASSEMBLY

3,6 KG.

P10.836.S11



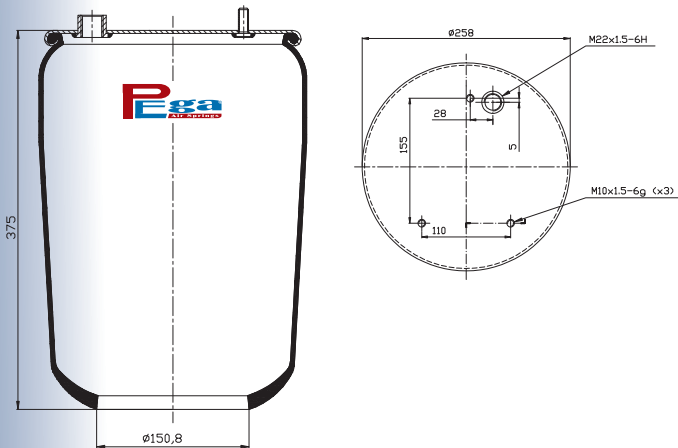
Cross References

OE Part No

SERVICE ASSEMBLY

3,6 KG.

P10.836.S16



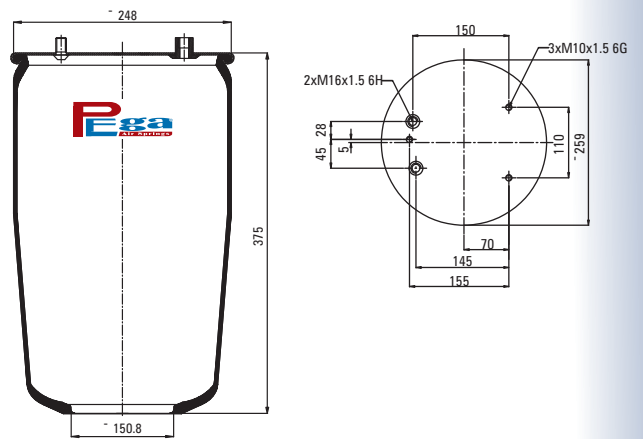
Cross References

OE Part No

SERVICE ASSEMBLY

3,6 KG.

P10.836.S2



Cross References

OE Part No

CONTITECH	836 M2
FIRESTONE	1T17AR-4.5
	W01 M58 0777
GOODYEAR	1R12-710

DAF	0 513 982
-----	-----------

SERVICE ASSEMBLY

3,6 KG.

P10.838.R



Cross References

CONTITECH	838 N
PHOENIX	1 F 26 D
GOODYEAR	9074

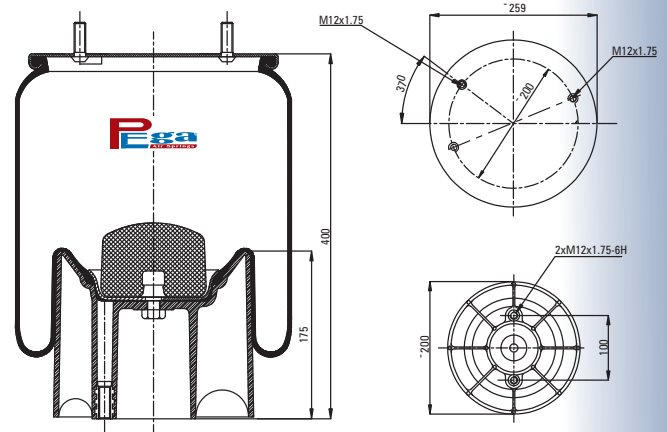
OE Part No

MERCEDES	A 674 328 0001
----------	----------------

ROLL

2,4 KG.

P10.8608.CP



Cross References

FIRESTONE	1T17DJ-7
	W01 M58 8608

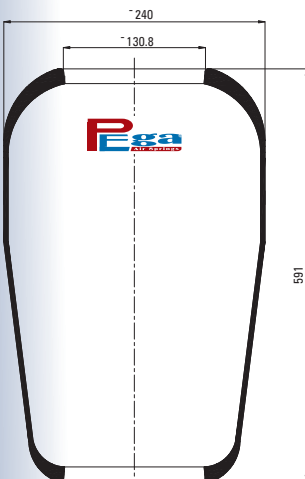
OE Part No

ROR	2122 9214
-----	-----------

PLASTIC PISTON

6,6 KG.

P10.873.R



Cross References

CONTITECH	873 N
-----------	-------

OE Part No

MERCEDES	A 674 328 0101
----------	----------------

ROLL

2 KG.

P10.876.R



Cross References

CONTITECH	876 N
GOODYEAR	8314

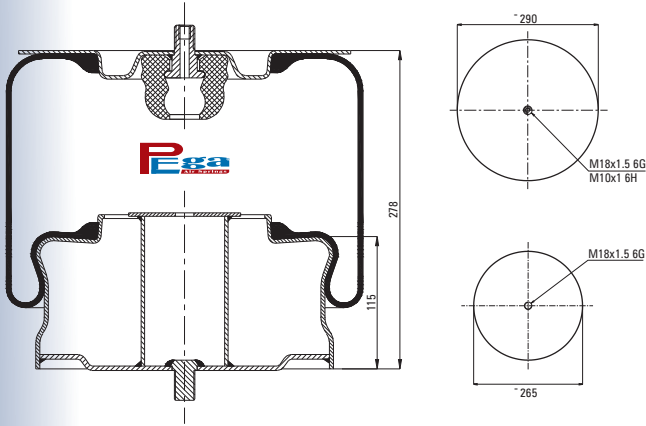
OE Part No

IVECO	813 9068
IVECO	41.022.620
RENAULT V.I	5.000.296.816

ROLL

2 KG.

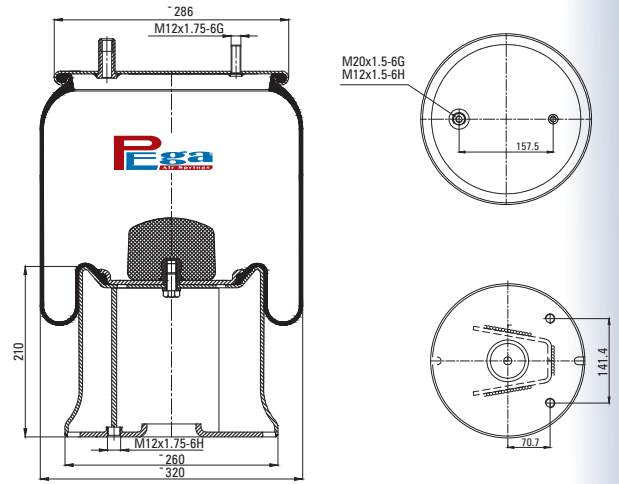
P10.876.C



Cross References		OE Part No	
CONTITECH	876 MB	RENAULT	5 000 640 399

METAL PISTON 11 KG.

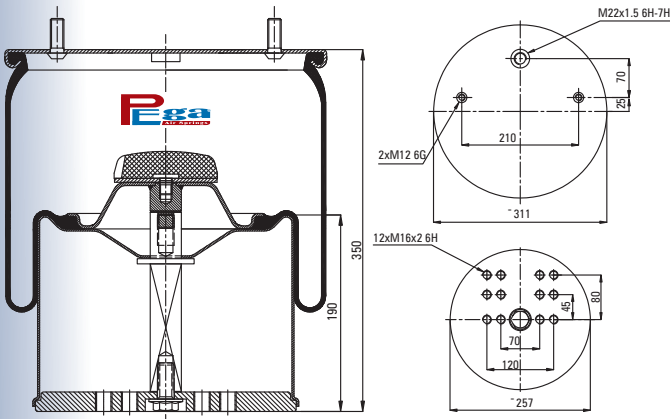
P10.8762.C



Cross References		OE Part No	
FIRESTONE	1T19L-14	FRUEHAUF	M001464
	W01 M58 8762	SMB	OJB0129001
CF GOMMA	1T19E-3	ZORZI	1006552
DUNLOP	D13B04		
GOOD YEAR	1R13-803		
PHOENIX	1DK 28 D-3		

METAL PISTON 17 KG.

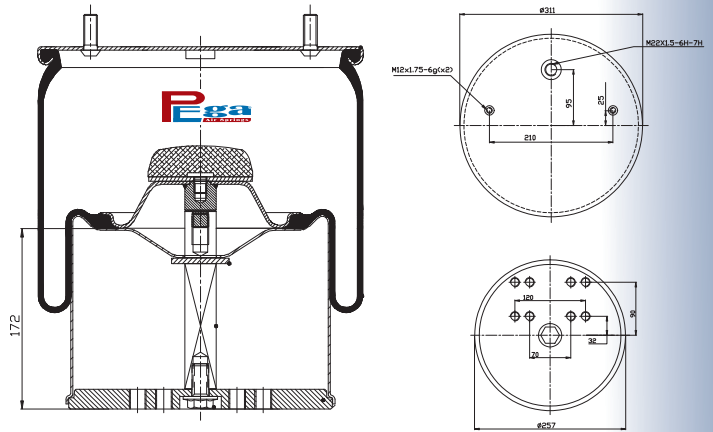
P10.881.C



Cross References		OE Part No	
CONTITECH	881 MB	BPW	05 429 40 08 1
FIRESTONE	1T66F-10.8	BPW	05 429 41 36 1
	W01 M58 8966	BPW	05 429 40 54 0
PHOENIX	1DK 32-1	BPW	TYPE 36
DUNLOP FR	D14B36		
GOODYEAR	1R14-712		
CF GOMMA	1TC 360-45		

METAL PISTON 17 KG.

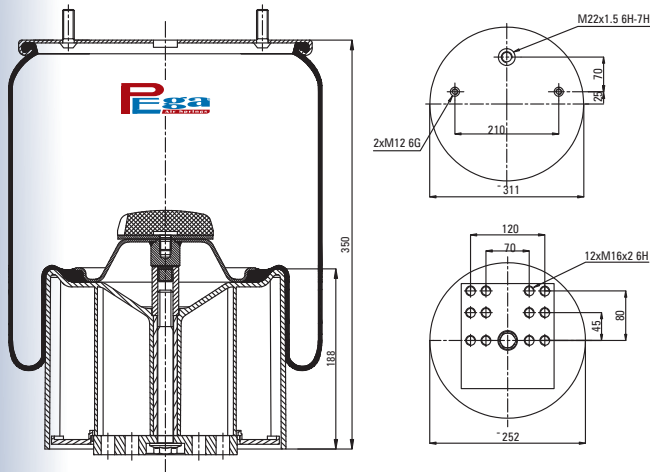
P10.881.C02



Cross References		OE Part No	
------------------	--	------------	--

METAL PISTON 17 KG.

P10.881.CP



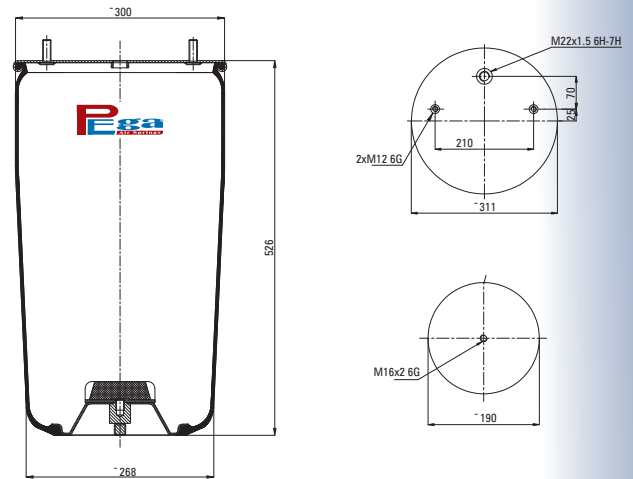
Cross References	
CONTITECH	881 MB P30
FIRESTONE	1T66F-10.8 W01 M58 8667
DUNLOP	D14B41
GOODYEAR	1R14-748
PHOENIX	1 DK 32 1

OE Part No	
BPW	05 429 43 51 0

PLASTIC PISTON

13,5 KG.

P10.881.S



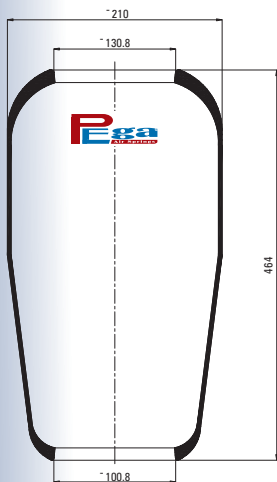
Cross References	
CONTITECH	881 MB
FIRESTONE	1T66F-10.8 W01 M58 8978
PHOENIX	1 DK 32-1/36
GOODYEAR	1R14-708
CF GOMMA	1TC360-45
TAURUS	UR836-01 T
DUNLOP	D14 U 36

OE Part No	
BPW	05 429 40 01 0

SERVICE ASSEMBLY

6,5 KG.

P10.882.R



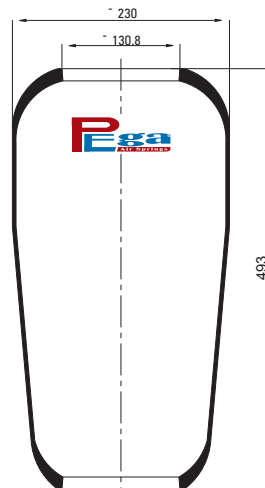
Cross References	
CONTITECH	882 N1
PHOENIX	1F 16
TAURUS	B 155
GOODYEAR	9048
CF GOMMA	1SC 250-28 97042

OE Part No	
MAN	81 43601 0065
MAN	81 43601 0067
MAN	81 43601 0070
MAN	81 43601 0092
MAN	81 43601 0099
MAN	81 43601 0103
MAN	81 43601 0121
MAN	81 43601 0132
MERCEDES	A 658 328 0101
MERCEDES	A 699 328 0101
BREDA MENARINI	D031115

ROLL

1,8 KG.

P10.883.R



Cross References	
CONTITECH	883 N1
FIRESTONE	1R4R 465 260 W01 095 0435
PHOENIX	1 F 21 C-2
GOODYEAR	9012
CF GOMMA	1SC 250-29 204250

OE Part No	
MAN	81 43601 0071
MAN	81 43601 0072
MAN	81 43601 0110
MAN	81 43601 0128
MAN	81 43601 0137
VOLVO	1 082 085
VOLVO	1 082 130

ROLL

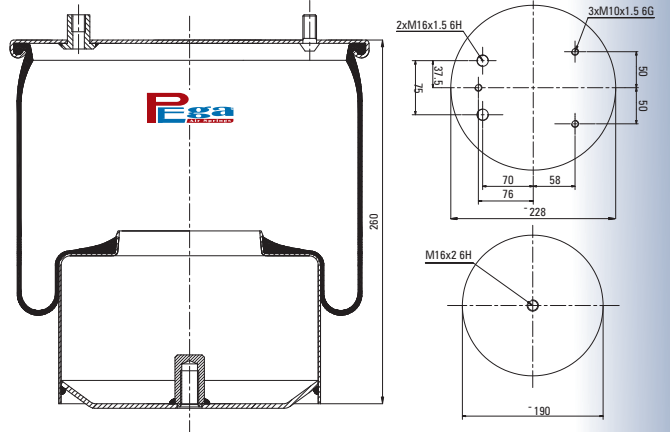
2,5 KG.

P10.884.R



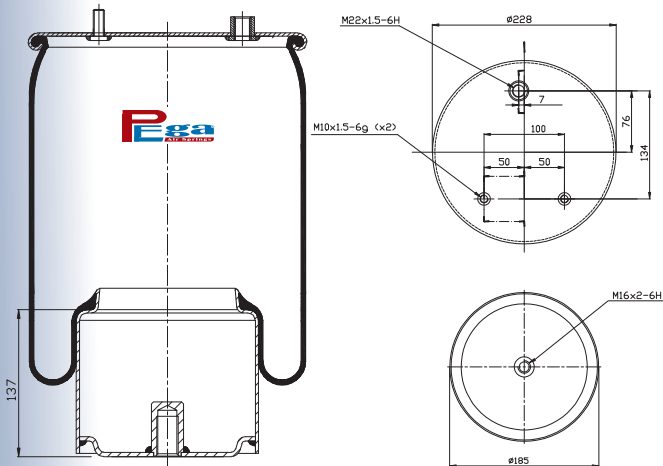
Cross References		OE Part No	
CONTITECH	884 N	IRISBUS	5 000 301 452
FIRESTONE	1R1B 415 270	IRISBUS	5 010 294 385
	W01 095 0295	IVECO	971 08363
PHOENIX	1 F 20 A	PEGASO	818 8539
TAURUS	BL 249	RENAULT	5010 294 385
DUNLOP FR	D12S06	MERCEDES	A 658 328 0001
GOODYEAR	9002	MAN	81 43601 0066
CF GOMMA	1S 270-25C 97608	MAN	81 43601 0068
		MAN	81 43601 0069
		MAN	81 43601 0106
		MAN	81 43601 0108
ROLL		2 KG.	

P10.887.2C1



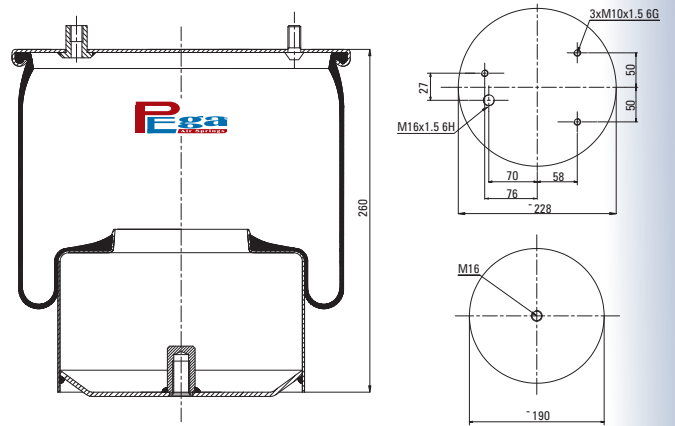
Cross References		OE Part No	
CONTITECH	887 M2 K1	DAF	0 559 483
FIRESTONE	1T15LNR-3		
	W01 D08 8684		
METAL PISTON		8,5 KG.	

P10.887.C09



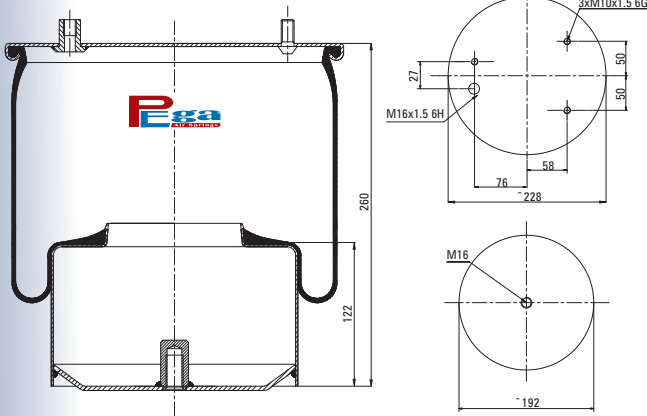
Cross References		OE Part No	
CONTITECH	887 N P09	DAF	1794425
METAL PISTON		8,5 KG.	

P10.887.C1



Cross References		OE Part No	
CONTITECH	887 M K1	DAF	0 392 022
FIRESTONE	1T15LNR-3	DAF	1 697 684
	W01 M58 8683		
METAL PISTON		6,5 KG.	

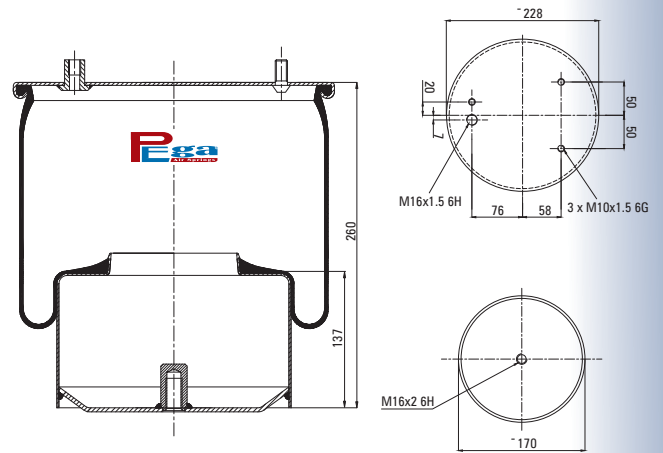
P10.887.C2



Cross References		OE Part No	
CONTITECH	887 M K2	DAF	1 240 503
FIRESTONE	1T15LNR-3	DAF	1 697 685
	W01 D08 8686		

METAL PISTON 7 KG.

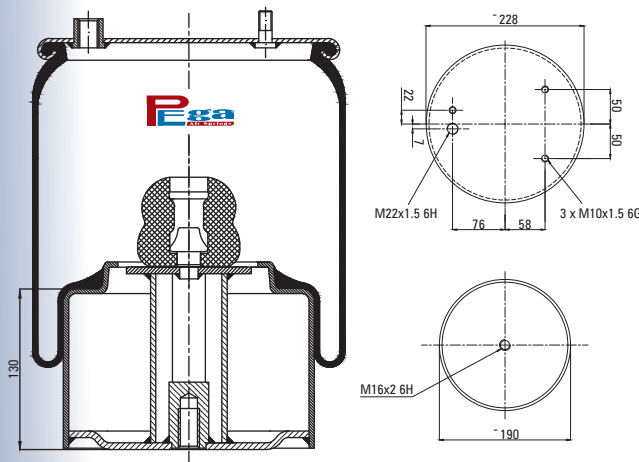
P10.887.C3



Cross References		OE Part No	
CONTITECH	887 M K3	DAF	1 266 382
FIRESTONE	1T15LNR-3	DAF	1 697 682
	W01 M58 8682		

METAL PISTON 8 KG.

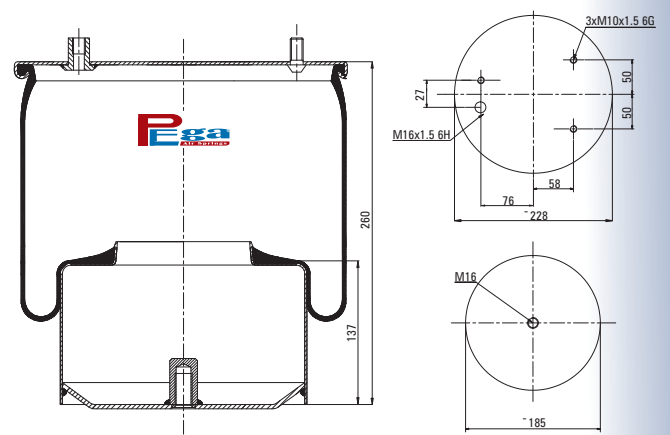
P10.887.C33



Cross References		OE Part No	
CONTITECH	887 N P03	VDL BUS	1 153 935

METAL PISTON 8 KG.

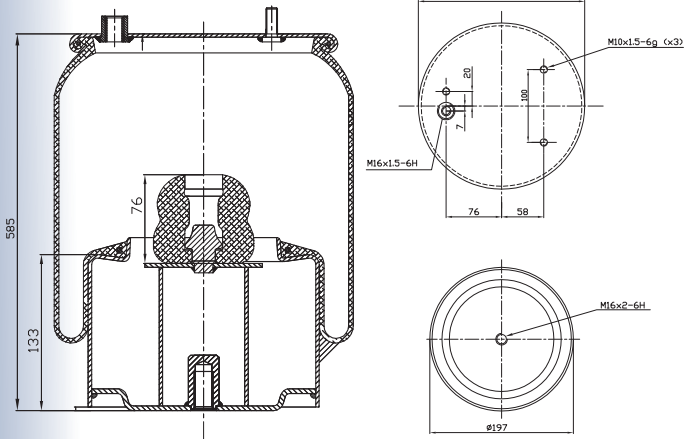
P10.887.C4



Cross References		OE Part No	
CONTITECH	887 M K4	DAF	1 286 251
FIRESTONE	1T15LNR-3	DAF	1 697 680
	W01 M58 8681		

METAL PISTON 6 KG.

P10.887.C6

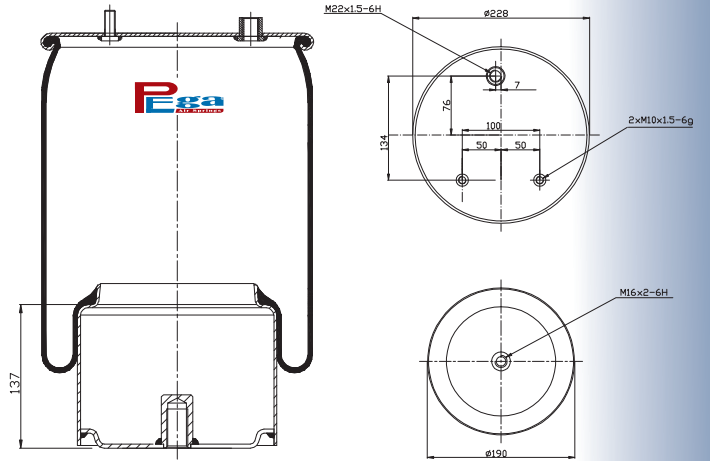


Cross References		OE Part No	
CONTITECH	887 N P04	VDL BUS	1 141 525
FIRESTONE	W01M585785	VDL BUS	1 154 761

METAL PISTON

8 KG.

P10.887.C66

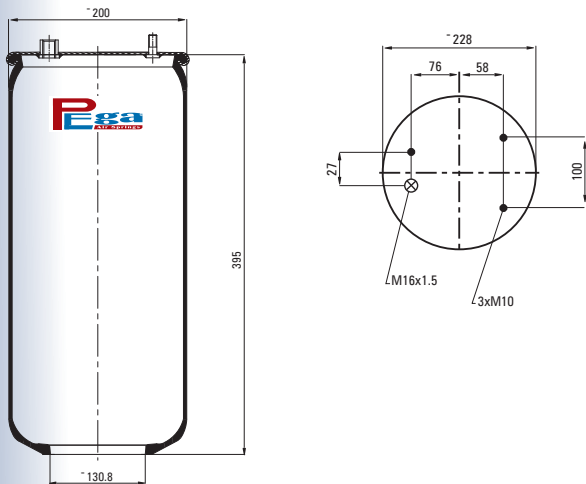


Cross References		OE Part No	
CONTITECH	887 N P06	DAF	1794428

METAL PISTON

8 KG.

P10.887.S

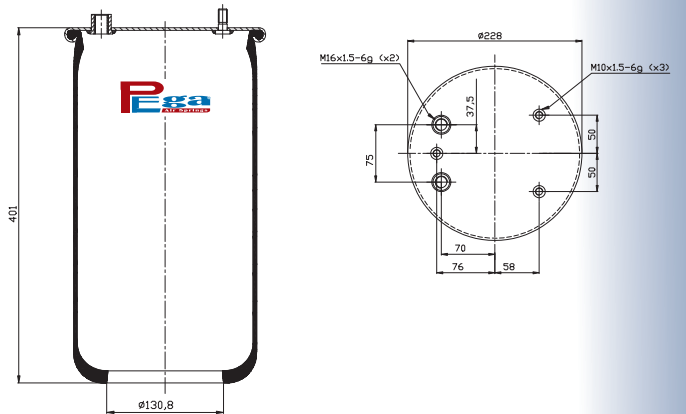


Cross References		OE Part No	
CONTITECH	887 M	DAF	0 513 983
FIRESTONE	1T15LNR-3	VDL BUS	0513 983
	W01 M58 0780		
GOODYEAR	1R11-796		
SPRINGRIDE	D11U41		

SERVICE ASSEMBLY

3,5 KG.

P10.887.S2

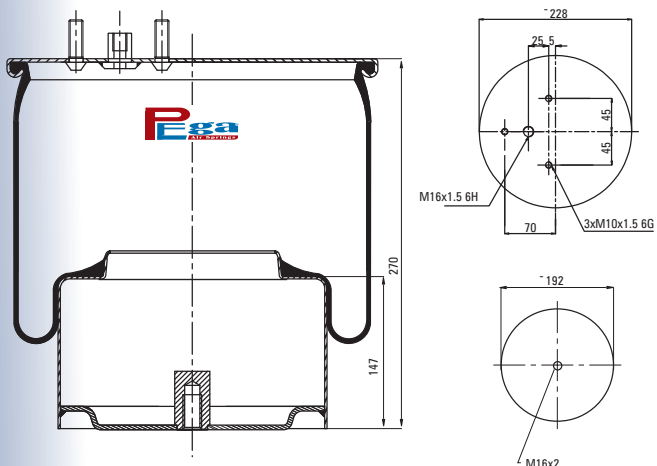


Cross References		OE Part No	

SERVICE ASSEMBLY

3,5 KG.

P10.889.C2



Cross References

CONTITECH	889 M K2
FIRESTONE	1T15LLR-5 W01 M58 0781

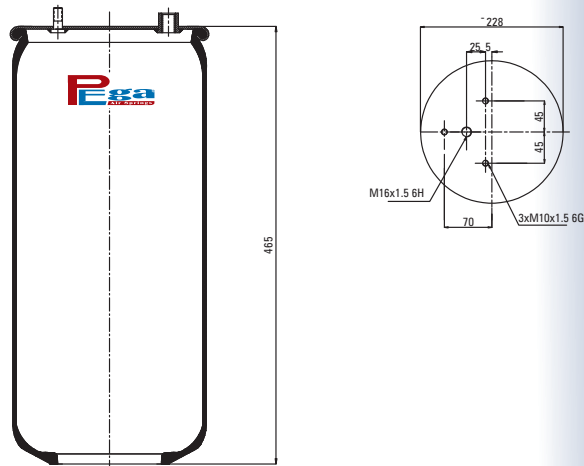
OE Part No

DAF	1 279 141
DAF	1 698 434

METAL PISTON

7,2 KG.

P10.889.S



Cross References

CONTITECH	889 M
-----------	-------

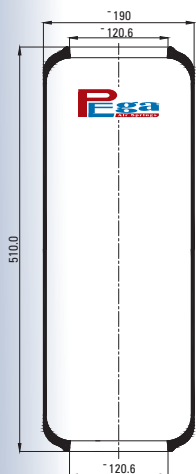
OE Part No

DAF	1 276 846
-----	-----------

SERVICE ASSEMBLY

3,5 KG.

P10.896.R



Cross References

CONTITECH	896 N
FIRESTONE	1R1J 520 285 W01 095 0245
PHOENIX	2 E 18 A
TAURUS	B 166
DUNLOP UK	PNP 305140100
DUNLOP FR	SP2191
GOODYEAR	8040

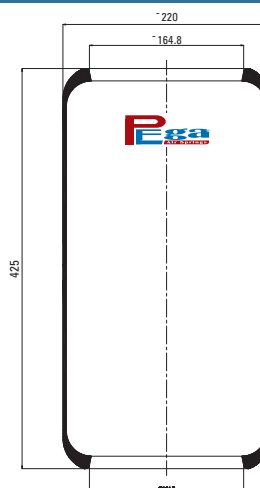
OE Part No

DENNIS	655 606 / 1
DENNIS	656 300 / 2
SCANIA	411 627

ROLL

1,9 KG.

P10.897.R



Cross References

CONTITECH	897 N
FIRESTONE	1R1K 440 320 W01 095 0239 W01 095 0229
PHOENIX	1 E 23
TAURUS	B 165
DUNLOP UK	PNP305210100 PNP305210101
DUNLOP FR	SP2192
GOODYEAR	8028 / 556 03 8028
CF GOMMA	1 S 320-30 88788

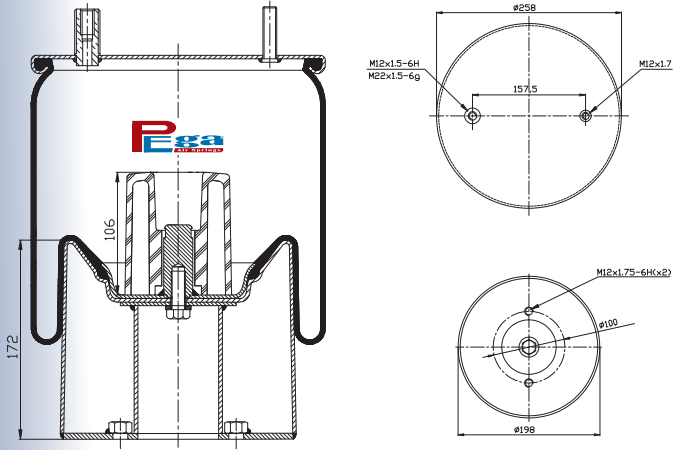
OE Part No

DENNIS	656 289 / 2
LAG	./.
PEGASO	794686
PEGASO	795097
SCANIA	411622
SCANIA	411623
CARDI	58050315

ROLL

1,8 KG.

P10.9002.CA3



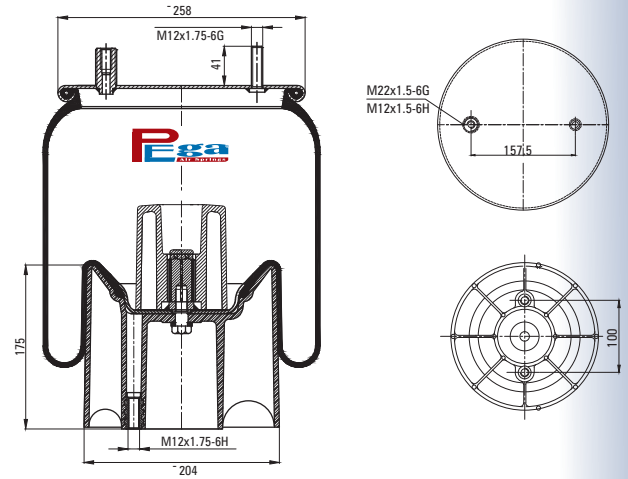
Cross References

OE Part No

METAL PISTON

9,8 KG.

P10.9002.CPA3



Cross References

OE Part No

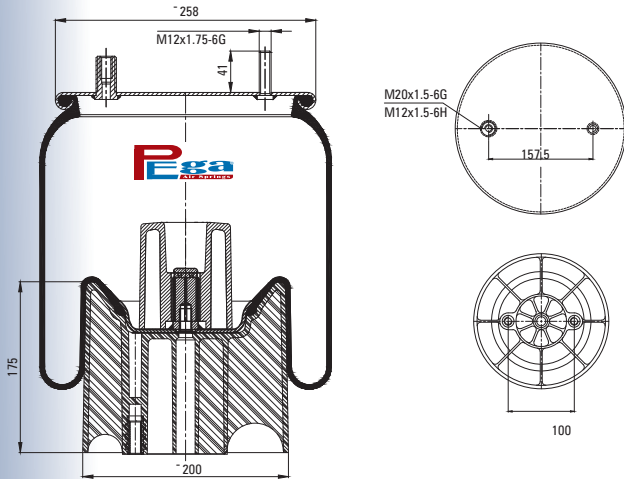
FIRESTONE 1T15 MPW-7
W01 M58 7074
CF GOMMA 1T300-338 205598
PHOENIX 1DK 21A-3

GRANNING 15732
ROR / MERITOR 212 22 442
WEWELER US 07074F

PLASTIC PISTON

6,6 KG.

P10.9002.CPA301



Cross References

OE Part No

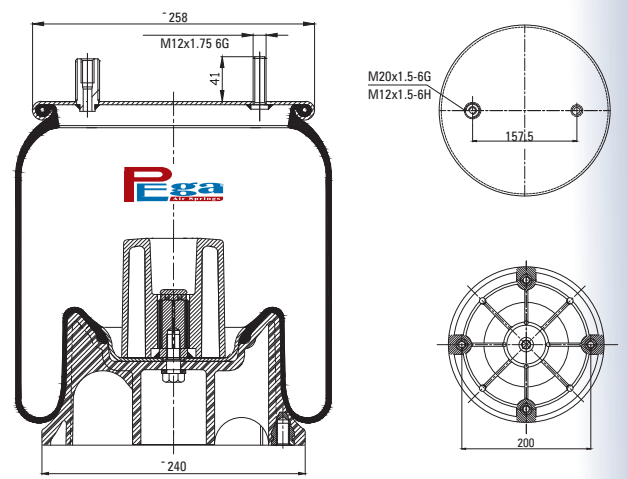
FIRESTONE 1T15 MPW-7
W01 M58 6315
GOODYEAR 1R11-772
TAURUS KR 91521

ACERBI 441901
FRUEHAUF M060924
FRUEHAUF UJB06
FRUEHAUF UJB0975

PLASTIC PISTON

6,6 KG.

P10.9002.CPA308



Cross References

OE Part No

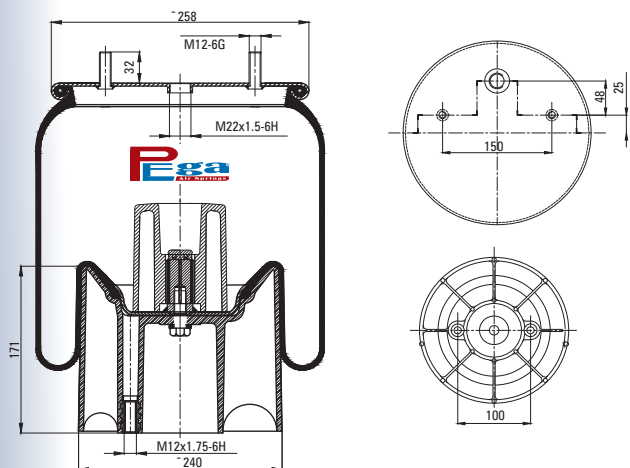
FIRESTONE 1T15 MPW-7
W01 M58 6317
PHOENIX 1 DK 20C-2
TAURUS KR915-53NW
DUNLOP FR D12B30
GOODYEAR 1R11-773

FRUEHAUF M078580
NEWAY 905 572 33

PLASTIC PISTON

6,6 KG.

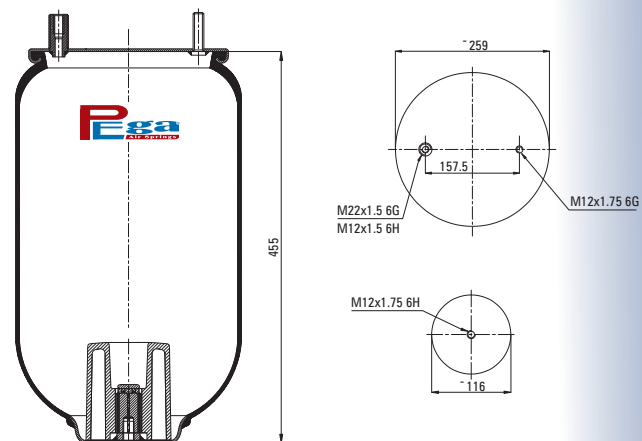
P10.9002.CPA8



Cross References		OE Part No	
FIRESTONE	1T15 MPW-7	MERCEDES	A 946 328 1401
	W01 M58 6297	DISCOS	A 946 328 1401
GOODYEAR	1R11-111	ROR / MERITOR	212 21307
TAURUS	KR915-54	WEWELER	US 87EUROF

PLASTIC PISTON 6,6 KG.

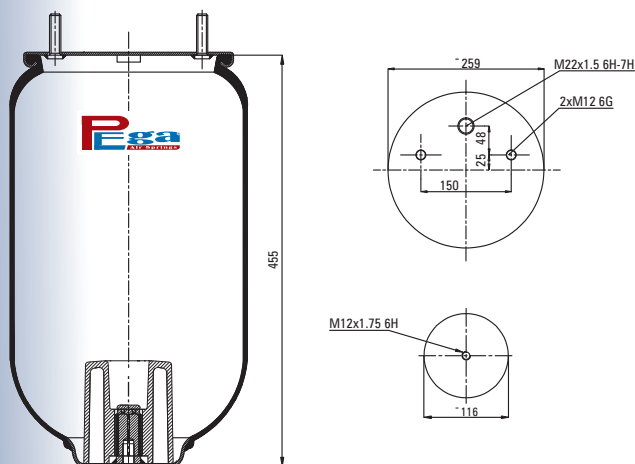
P10.9002.SA3



Cross References		OE Part No	
SPRINGRIDE	D12 U35	ACERBI	441901
GOODYEAR	1R11-753	FRUEHAUF	M060924

SERVICE ASSEMBLY 5 KG.

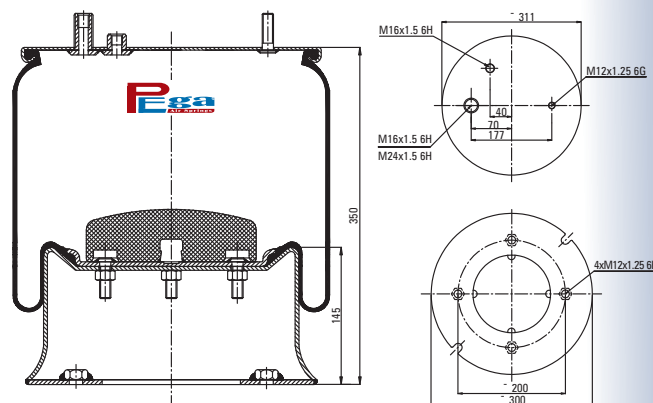
P10.9002.SA8



Cross References		OE Part No	
		MERCEDES	A 946 328 14 01
		R.O R/MERITOR	21221307

SERVICE ASSEMBLY 5 KG.

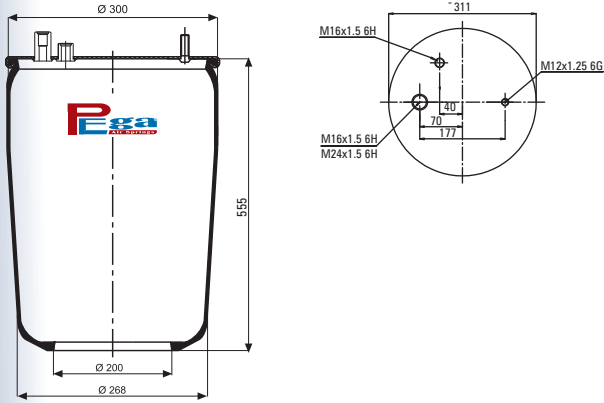
P10.901.C



Cross References		OE Part No	
CONTITECH	901 MB	RENAULT	5010 052 722
		RENAULT	5010 130 683

METAL PISTON 16 KG.

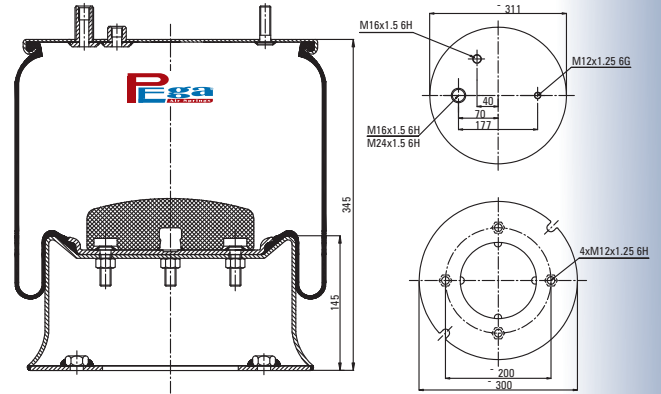
P10.901.S



Cross References		OE Part No	
CONTITECH	901 MB	RENAULT	5010 052 722
		RENAULT	5010 130 683

SERVICE ASSEMBLY 7,5 KG.

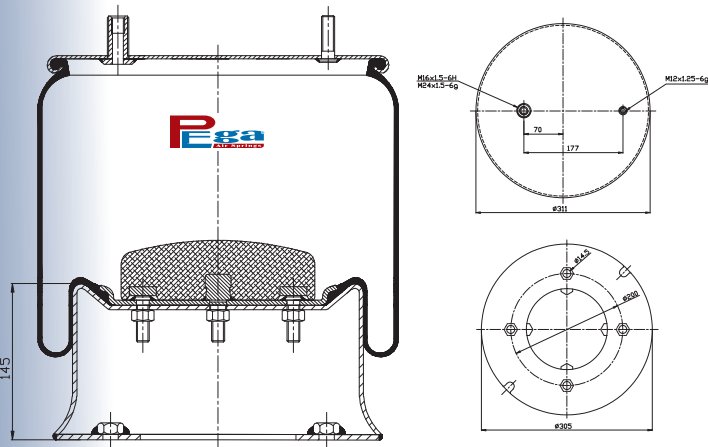
P10.902.C



Cross References		OE Part No	
CONTITECH	902 MB	RENAULT	5010 211 724
FIRESTONE	1T19LE-12 W01M589910		

METAL PISTON 17 KG.

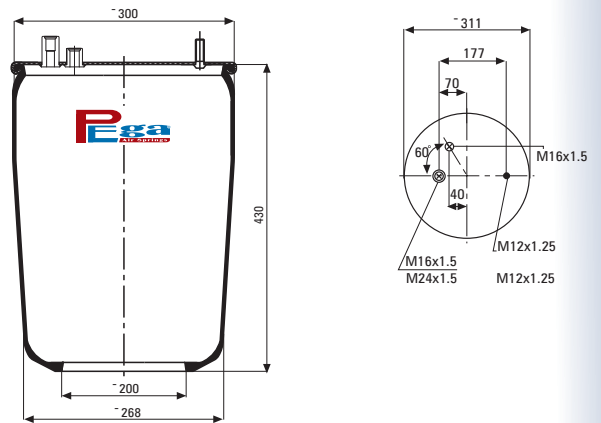
P10.902.C01



Cross References		OE Part No	

METAL PISTON 17 KG.

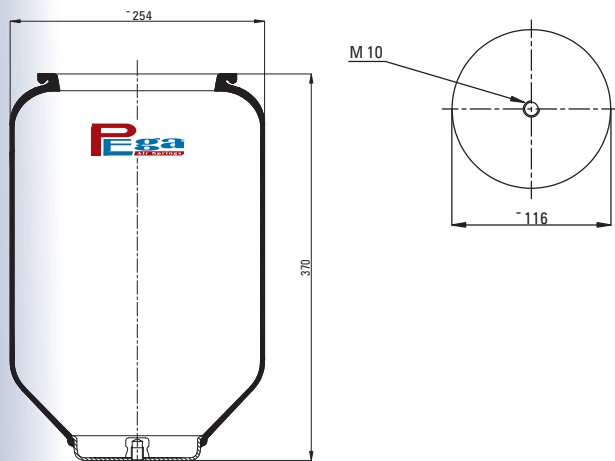
P10.902.S



Cross References		OE Part No	
CONTITECH	902 MB	RENAULT	5010 211 724

SERVICE ASSEMBLY 6,5 KG.

P10.909.ST



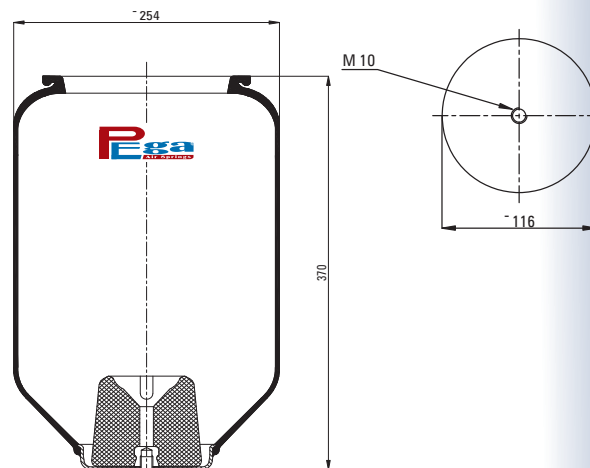
Cross References	
CONTITECH	909 NT

OE Part No	
MAN	81 43601 0050
MAN	81 43601 0054
MAN	81 43601 0073
MAN	81 43601 6029
NEOPLAN	1021 00 500
NEOPLAN	1021 21 500

SERVICE ASSEMBLY
W/O PLATE

2,4 KG.

P10.909.STB



Cross References	
CONTITECH	909 NTB
FIRESTONE	1T15L-6
	W01 M58 0687
GOODYEAR	1R12-709
PHOENIX	1 D 23 C-1
TAURUS	B 151
CF GOMMA	1T 320-SP 89753

OE Part No	
BREDA MENARINI	178 739
MAN	81 43601 6023

SERVICE ASSEMBLY
W/O PLATE

3,3 KG.

P10.9101.R



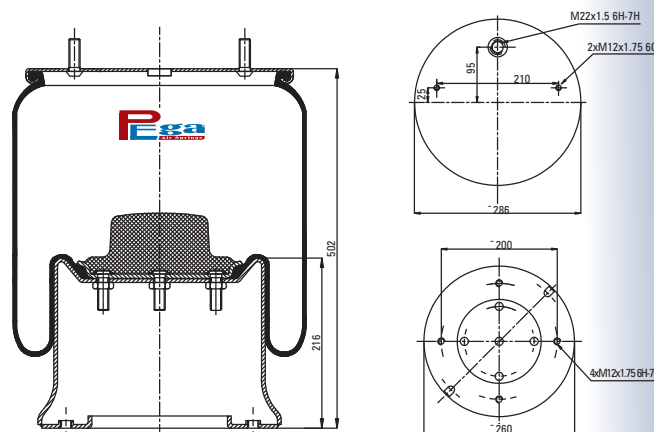
Cross References	
GOODYEAR	9101

OE Part No	
VOLVO	31111277

ROLL

1,1 KG.

P10.912.C01



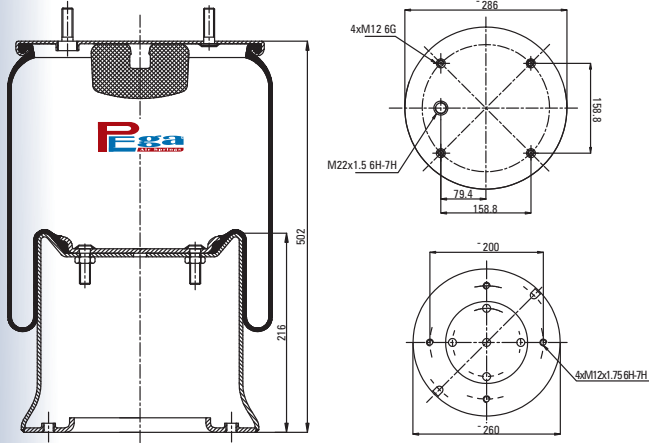
Cross References	
CONTITECH	912 N P01
FIRESTONE	1T19L-14
	W01 M58 8502

OE Part No	
SAF HOLLAND	3 229 0030 00
WEWELER	US 07380

METAL PISTON

14,5 KG.

P10.912.C02



Cross References

CONTITECH	912 N P02
FIRESTONE	1T19L-14
	W01 M58 8766
PHOENIX	1D28D2
DUNLOP FR	D13B03
GOODYEAR	1R14-758
CF GOMMA	1T 19 E-4

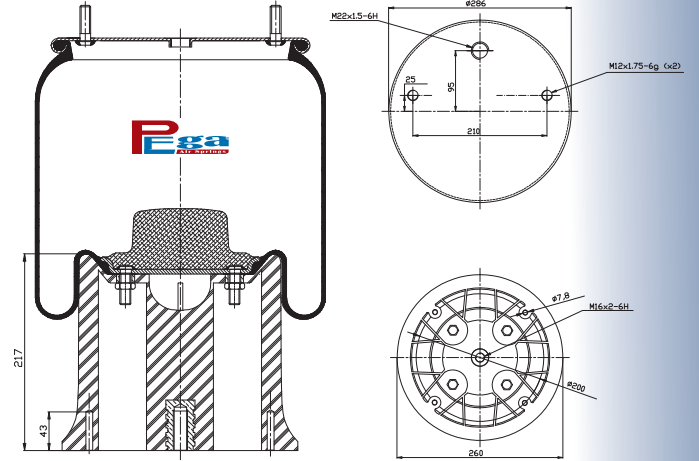
OE Part No

HENDRICKSON	507 782
ROR	2122 2673
SAF HOLLAND	3 229 0013 00
WEWELER	US 96681

METAL PISTON

15 KG.

P10.912.CP01



Cross References

(This table is empty in the image)

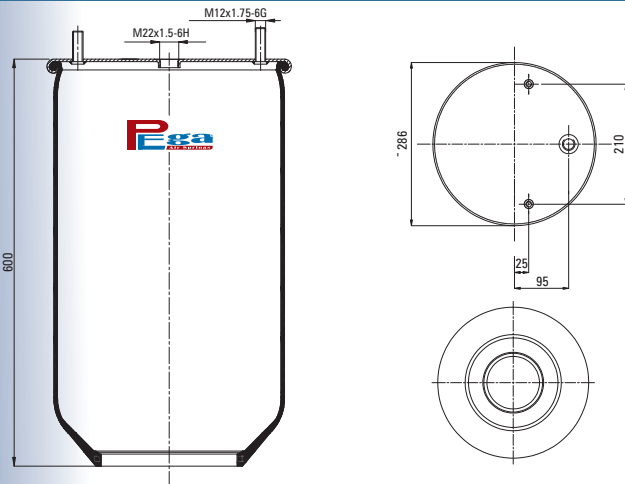
OE Part No

(This table is empty in the image)

PLASTIC PISTON

15 KG.

P10.912.S01



Cross References

(This table is empty in the image)

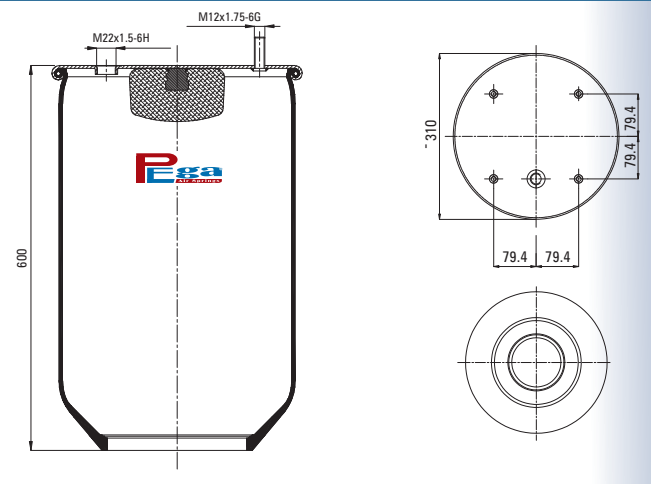
OE Part No

(This table is empty in the image)

SERVICE ASSEMBLY

8 KG.

P10.912.S02



Cross References

(This table is empty in the image)

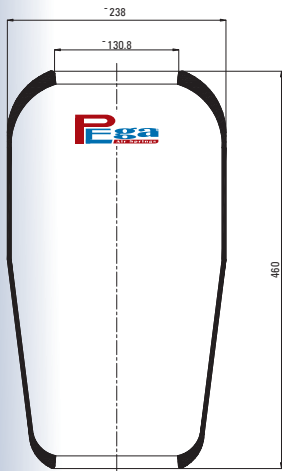
OE Part No

(This table is empty in the image)

SERVICE ASSEMBLY

8 KG.

P10.916.R

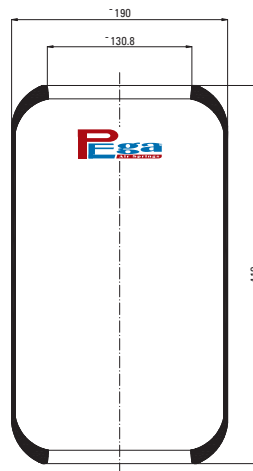


Cross References		OE Part No	
CONTITECH	916 N1	MAN	81 43601 0095
FIRESTONE	2R2A 460-295	MAN	81 43601 0097
	W01 095 0555	MAN	81 43601 0100
GOODYEAR	9015	MAN	81 43601 0102
PHOENIX	1F 21 C-5	MAN	81 43601 0105
TAURUS	B-154	MAN	81 43601 0126
DUNLOP FR	D12S05	MAN	81 43601 0138
		OPTARE	L 5820005
		TEMSA	/.
		ZF SACHS	00 17 70 000 160

ROLL

2 KG.

P10.921.R

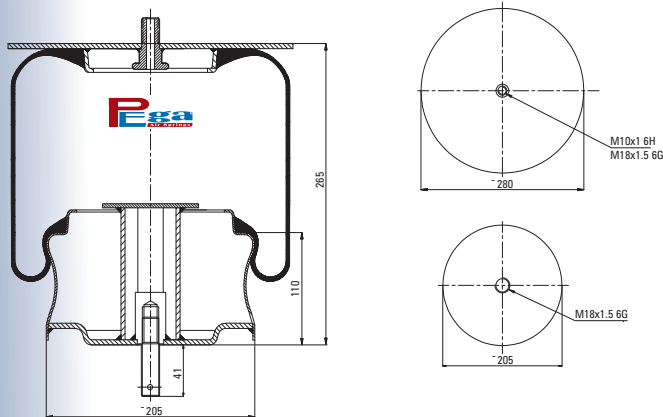


Cross References		OE Part No	
CONTITECH	921 N	EVO BUS	A 000 328 0001
FIRESTONE	1R1A 415-260	HEULIEZ	5 000 288 982
	W01 095 0226	IRISBUS	5 000 288 982
PHOENIX	1 E 18	IRISBUS	5 010 151 378
TAURUS	B-158	IRISBUS	5 010 151 379
DUNLOP FR	D10S04	IVECO BUS	994 59166
GOODYEAR	8043	NEOPLAN	/.
CF GOMMA	1 S 285-23 202728	RENAULT	5 000 288 982
		KLL	8 035 213 B01

ROLL

1,5 KG.

P10.921.C

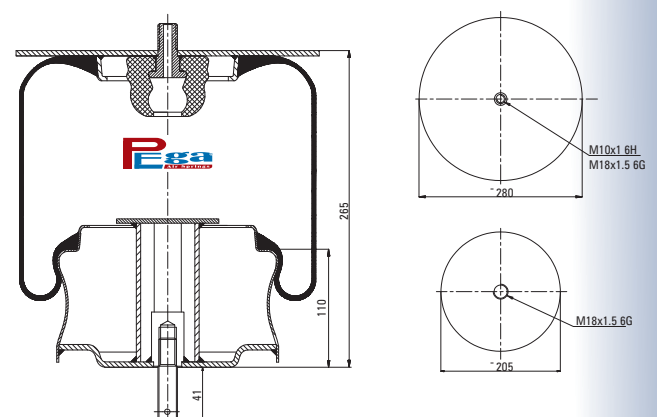


Cross References		OE Part No	
CONTITECH	921 M	IRISBUS	5 010 151 378

METAL PISTON

7 KG.

P10.921.C1



Cross References		OE Part No	
CONTITECH	921 MB	IRISBUS	5 010 151 379

METAL PISTON

7,9 KG.

P10.927.R



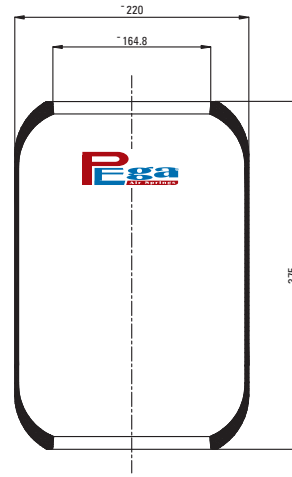
Cross References	
CONTITECH	927 N
FIRESTONE	1R1J 415 285
	W01 095 0244
GOODYEAR	8037
PHOENIX	2 E 18 B
TAURUS	B 179
DUNLOP UK	PNP 300080100

OE Part No	
DENNIS	611 896 / 12
JONCKHEERE	/.
VOLVO LEYLAND	3 116 354
VOLVO LEYLAND	AAU 2542
SCANIA (BRAZIL)	434 932

ROLL

1,5 KG.

P10.928.R



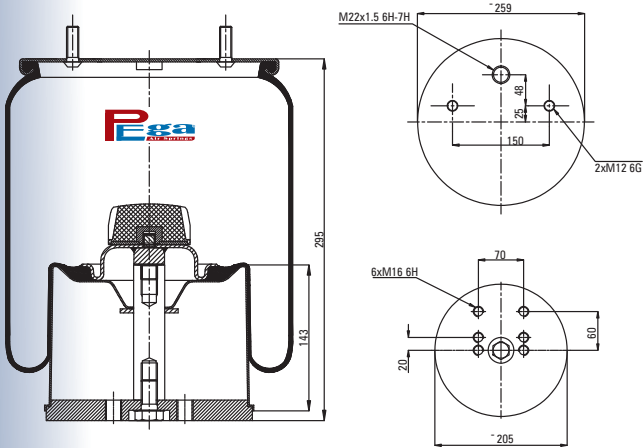
Cross References	
CONTITECH	928 N
FIRESTONE	1R1K 380 320
	W01 095 0228
PHOENIX	2 E 23 A
TAURUS	B 178
DUNLOP UK	IC 3308
DUNLOP FR	D12 S03
GOODYEAR	8042

OE Part No	
DENNIS	650 292 / 8
DENNIS	650 883 / 4
DENNIS	650 883 / 7
IVECO BUS	6453741
MCW x	664 1056
SCANIA	434932
VOLVO	3 116 983
VOLVO (BRAZIL) 2TB	411099 ATE 2001
LEYLAND	AAU 2544

ROLL

1,6 KG.

P10.940.C



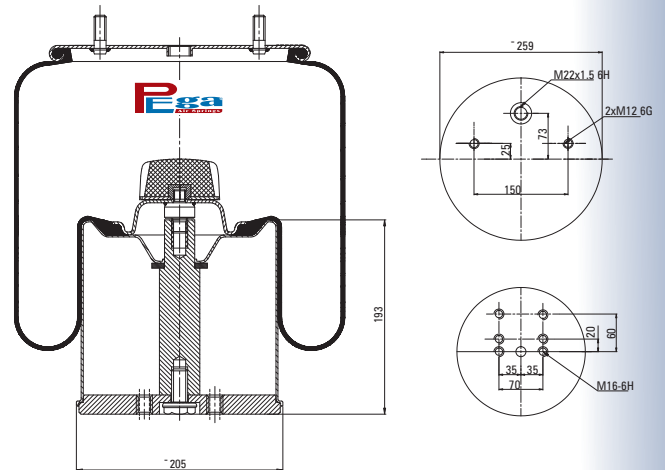
Cross References	
CONTITECH	940 MB
FIRESTONE	1T17D-4.3
	W01 M58 8609
SPRINGRIDE	D11B39
GOODYEAR	1R11-763

OE Part No	
BPW	05 429 41 14 1
BPW	05 429 41 23 1
BPW	05 429 42 19 1

METAL PISTON

11,5 KG.

P10.940.C01



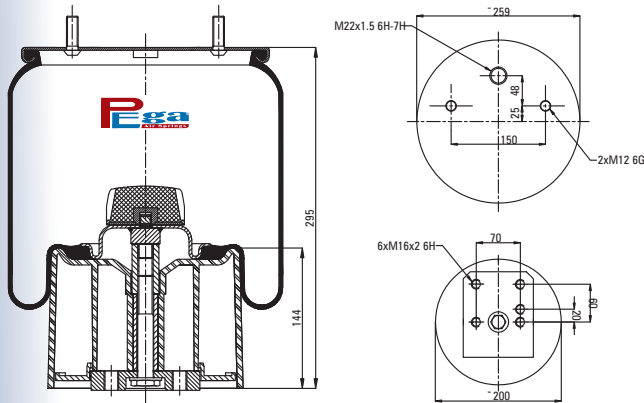
Cross References	
------------------	--

OE Part No	
BPW	05 429 41 28 1

METAL PISTON

12 KG.

P10.940.CP



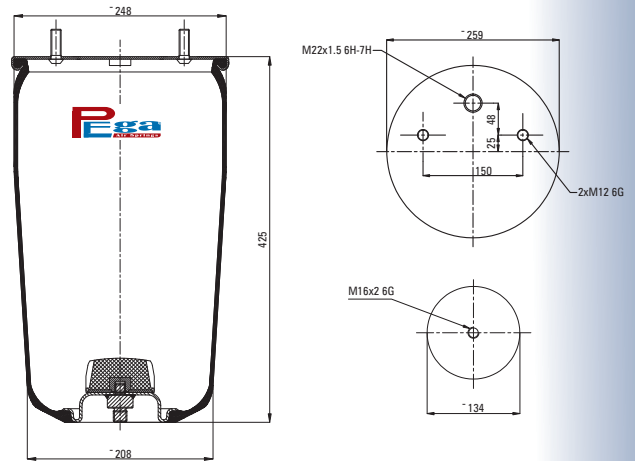
Cross References	
CONTITECH	940 MB P30
FIRESTONE	1T17D-4.3 W01 M58 8585
SPRINGRIDE	D11B36
GOODYEAR	1R11-752

OE Part No	
BPW	05 429 43 21 0

PLASTIC PISTON

8,5 KG.

P10.940.S



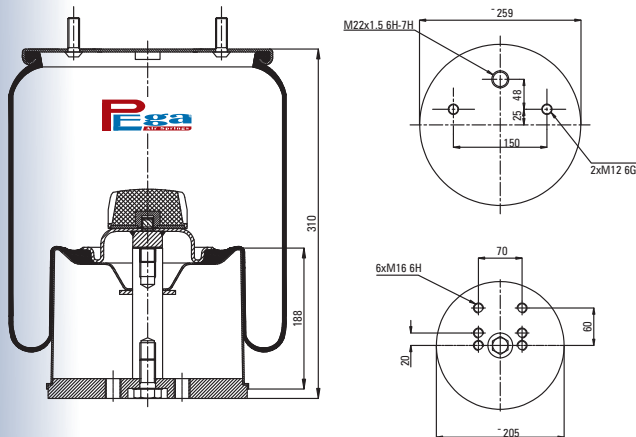
Cross References	
CONTITECH	940 MB
FIRESTONE	1T17D-4.3 W01 M58 8613
GOODYEAR	1R11-703
SPRINGRIDE	D11U31
PHOENIX	1DK21K
CF GOMMA	1TC 300-30 205536
TAURUS	UR 732-01T

OE Part No	
BPW	05.429 40 91 0

SERVICE ASSEMBLY

4,5 KG.

P10.941.C



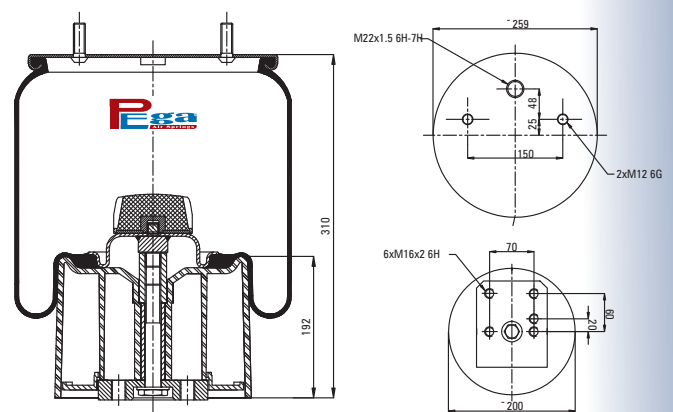
Cross References	
CONTITECH	941 MB
FIRESTONE	1T17D-8.3 W01 M58 8619
PHOENIX	1 DK 21
TAURUS	KR 730-01
DUNLOP FR	D11B38
GOODYEAR	1R11-762

OE Part No	
BPW	05 429 40 28 1
BPW	05 429 41 24 1
BPW	05 429 40 59 1

METAL PISTON

12,3 KG.

P10.941.CP



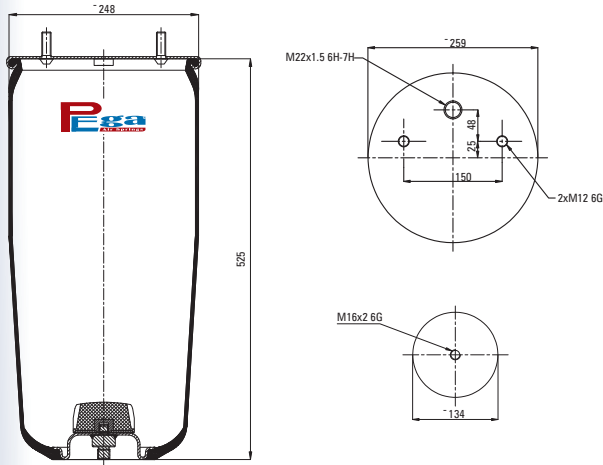
Cross References	
CONTITECH	941 MB P30
FIRESTONE	1T17D-8.3 W01 M58 8668

OE Part No	
BPW	05 429 43 20 0

PLASTIC PISTON

9,4 KG.

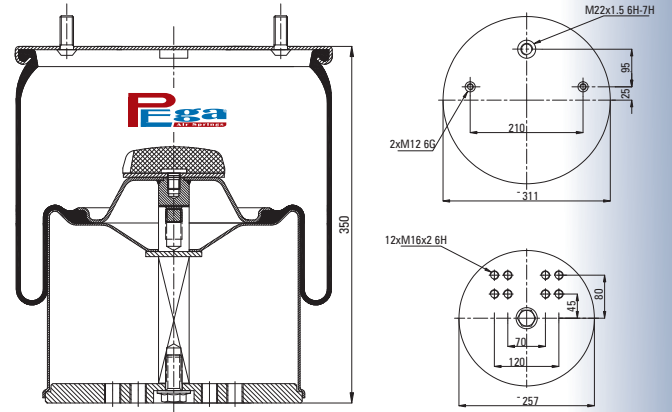
P10.941.S



Cross References		OE Part No	
CONTITECH	941 MB	BPW	05 429 40 03 0
FIRESTONE	1T17D-8.3		
	W01 M58 8620		
SPRINGRIDE	D11U30		
PHOENIX	1DK21		
CF GOMMA	1TC 300-36 204466		
TAURUS	UR 730-01T		
GOODYEAR	1R11-700		

SERVICE ASSEMBLY 5 KG.

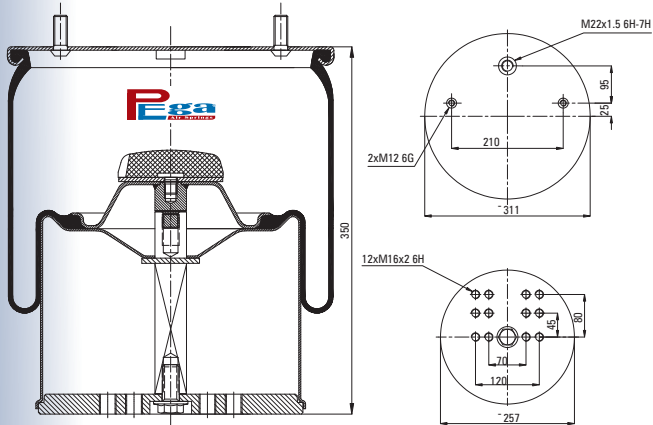
P10.942.C



Cross References		OE Part No	

METAL PISTON 18,5 KG.

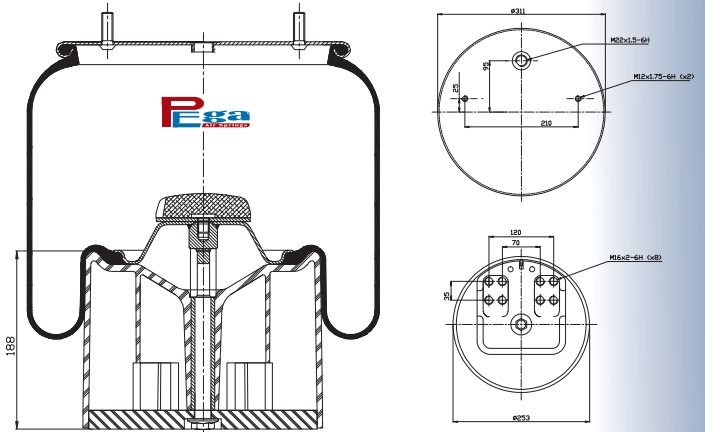
P10.942.C1



Cross References		OE Part No	
CONTITECH	942 MB	BPW	05 429 41 69 0
FIRESTONE	1T66F-13.5		
	W01 M58 8584		
GOODYEAR	1R14-781		

METAL PISTON 18,5 KG.

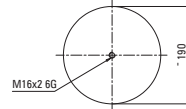
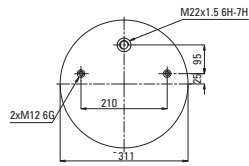
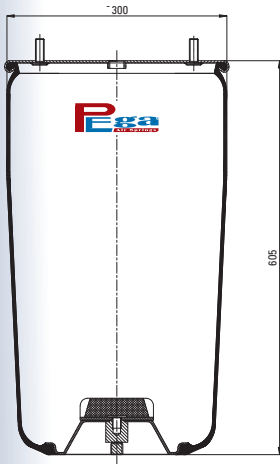
P10.942.CP



Cross References		OE Part No	

PLASTIC PISTON 15 KG.

P10.942.S



Cross References

CONTITECH	942 MB
FIRESTONE	1T66F-13.5 W01 M58 8611
PHOENIX	1 DK32-1
TAURUS	UR 837-01
GOODYEAR	1R14-700

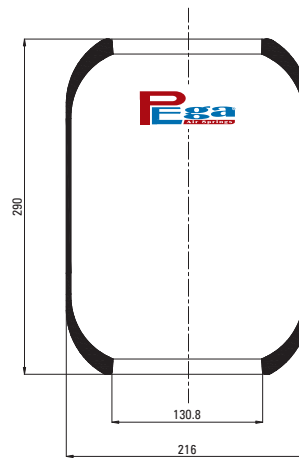
OE Part No

BPW	05 429 40 05 0
-----	----------------

SERVICE ASSEMBLY

6,8 KG.

P10.943.R



Cross References

CONTITECH	943 N
FIRESTONE	1R1A 260 285 W01 095 0189
TAURUS	B194
DUNLOP UK	PNP 316720100
DUNLOP FR	D11 S03
GOODYEAR	9001
CF GOMMA	1S 285-18 88809

OE Part No

BREDA MENARINI	S 5001051
INBUS	500 1051
IVECO BUS	6144040
PEGASO	/.
PEGASO	199563
SICCA	4890 001

ROLL

1,4 KG.

P10.944.R



Cross References

CONTITECH	944 N
FIRESTONE	1R1A 370 285 W01 095 0198
TAURUS	B 141
DUNLOP UK	PNP 316 720 100
DUNLOP FR	SP 1217
GOODYEAR	8012
CF GOMMA	1S 285-22 88786

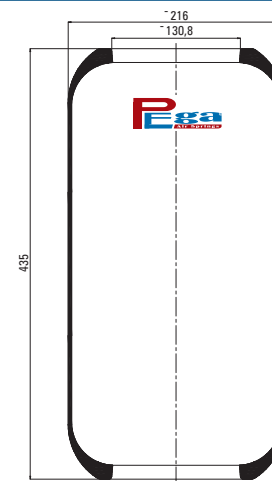
OE Part No

INBUS	484 0005/489 0001
IVECO BUS	471 4025/472 2525
IVECO BUS	525 4025/665 7150
PORTESI	700 176
SCANIA	523 229/533 802
SICCA	4840 005
MENARINI	178623/325993
VOLVO	1611776/1999893
VAN HOOL	624319-860
EL DETALLE	AO 101
VDL BUS	0 627 584

ROLL

1,5 KG.

P10.945.R



Cross References

CONTITECH	945 N
FIRESTONE	1R1A 460 290 W01 095 0063
PHOENIX	1E21C
TAURUS	K 152
DUNLOP UK	PNP 301000101
GOODYEAR	9014
CF GOMMA	1S 285-25 97555
DUNLOP FR	D11S02

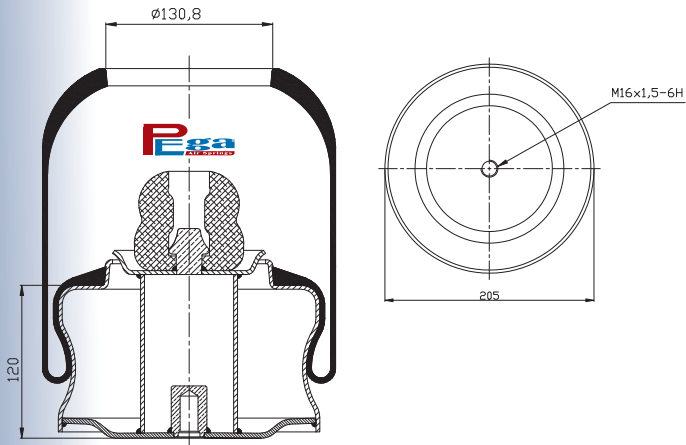
OE Part No

BREDA MENARINI	178 741
HYUNDAI	/.
IVECO BUS	471 6989
PEGASO	197145
PEGASO	4716989
PEGASO	769388
SCANIA BUSSAR	523229

ROLL

1,6 KG.

P10.946.C01



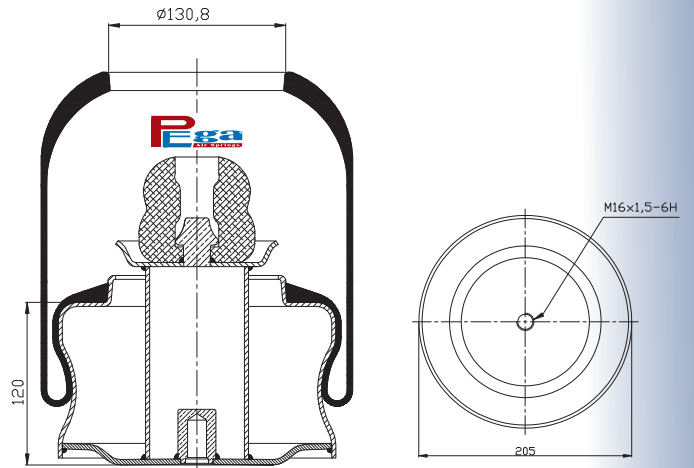
Cross References	
CONTITECH	946 N P01

OE Part No	
EVO BUS	A 628 320 0825

METAL PISTON

6,5 KG.

P10.946.C02



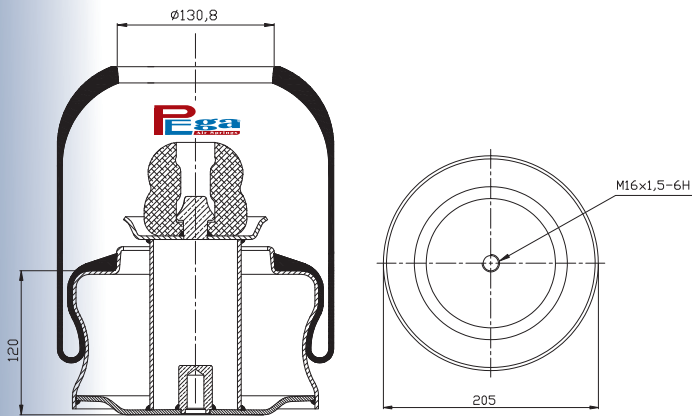
Cross References	
CONTITECH	946 N P02

OE Part No	
EVO BUS	A 628 320 0925

METAL PISTON

6,5 KG.

P10.946.C03



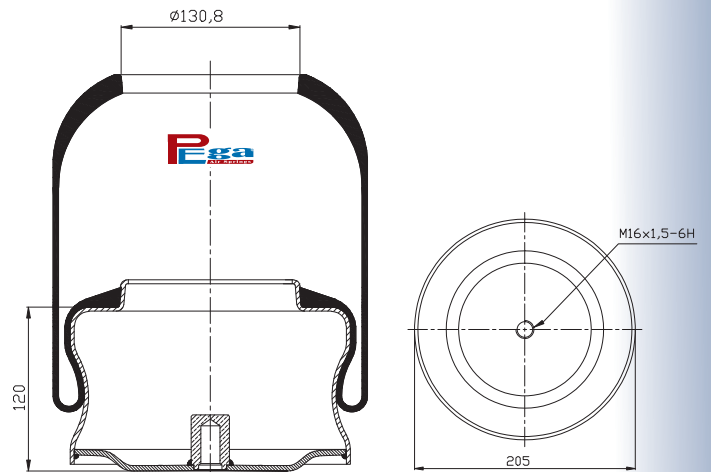
Cross References	
CONTITECH	946 N P03

OE Part No	
EVO BUS	A 628 320 1025

METAL PISTON

6,5 KG.

P10.946.C04



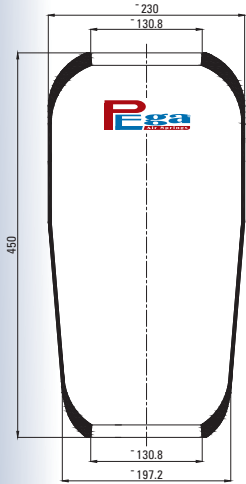
Cross References	
CONTITECH	946 N P04

OE Part No	
EVO BUS	A 628 320 1225

METAL PISTON

6 KG.

P10.946.R



Cross References

CONTITECH 946 N

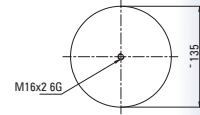
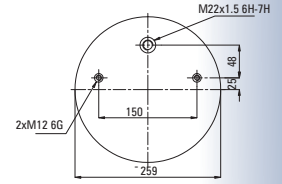
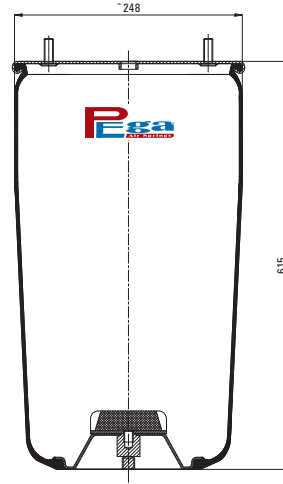
OE Part No

EVO BUS A 628 323 0092
MERCEDES A 628 323 0092

ROLL

2 KG.

P10.951.S



Cross References

CONTITECH 951 MB

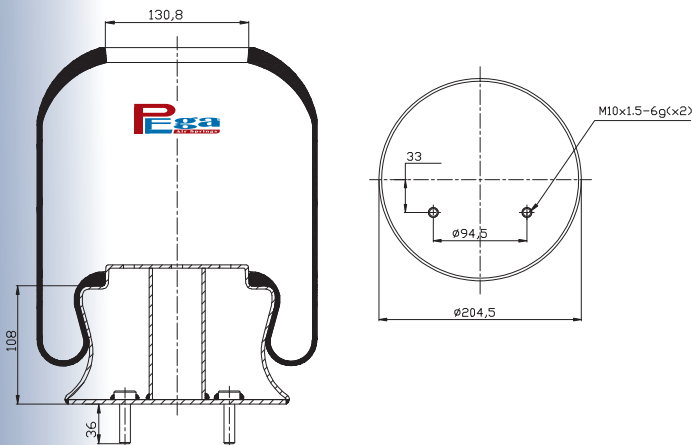
OE Part No

BPW 05 429 40 72 0
BPW 05 429 42 72 0

SERVICE ASSEMBLY

5,5 KG.

P10.9553.C



Cross References

GOODYEAR 9553/9501
1E18D-01

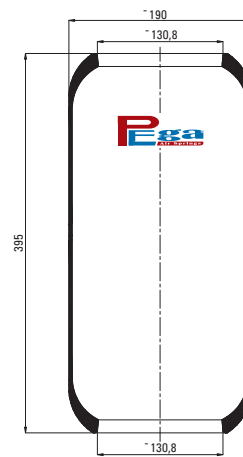
OE Part No

VOLVO 20535876

METAL PISTON

4,6 KG.

P10.9553.R



Cross References

GOODYEAR 9080
1E18D

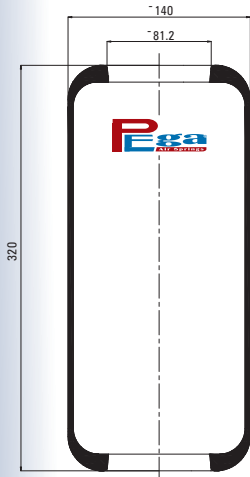
OE Part No

VOLVO 20535875

ROLL

1,3 KG.

P10.975.R

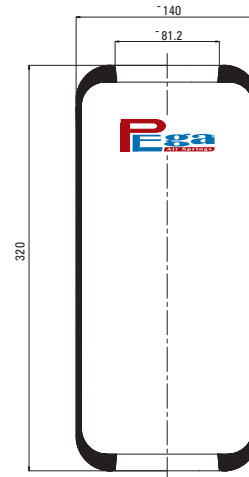


Cross References		OE Part No	
CONTITECH	975 N	EVO BUS	A 699 328 0101
FIRESTONE	1R1T 320 195	OPTARE	R 5800001
	W010950437	ZF SACHS	0501 312 548
PHOENIX	1 E 10		

ROLL

1 KG.

P10.976.R

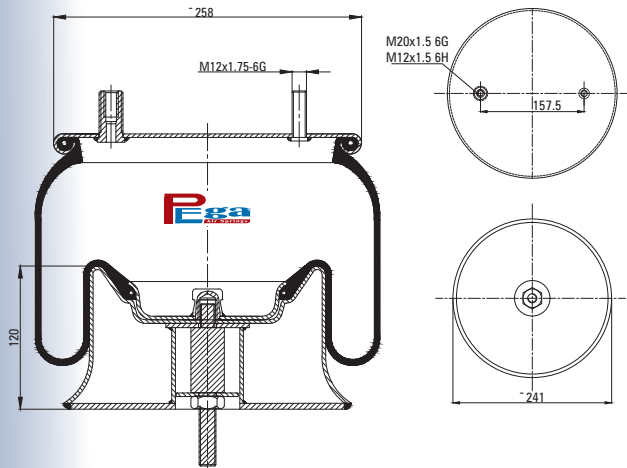


Cross References		OE Part No	
CONTITECH	976 N	EVO BUS	A 699 328 0101
		OPTARE	5800001
		ZF SACHS	502 312 548

ROLL

1 KG.

P10.97922.C

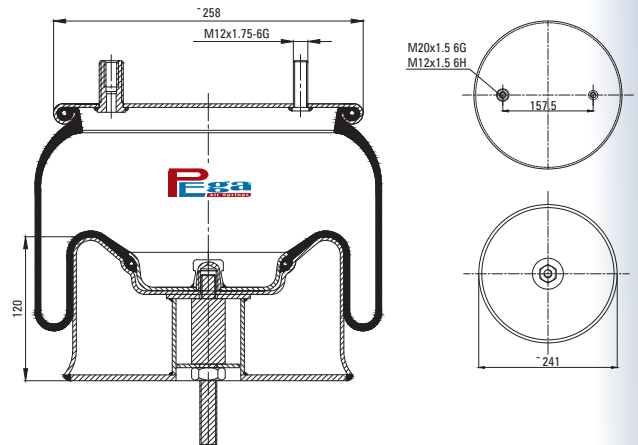


Cross References		OE Part No	
VIBRACOUSTIC	V1DK 27B-1	BMC	827-DCx/ZCx/ZCF
		BMC	832-YCx
		BMC	1142-DCx
		HENDRICKSON	HS 507922
		FORD	HS50792

METAL PISTON

4,6 KG.

P10.97923.C

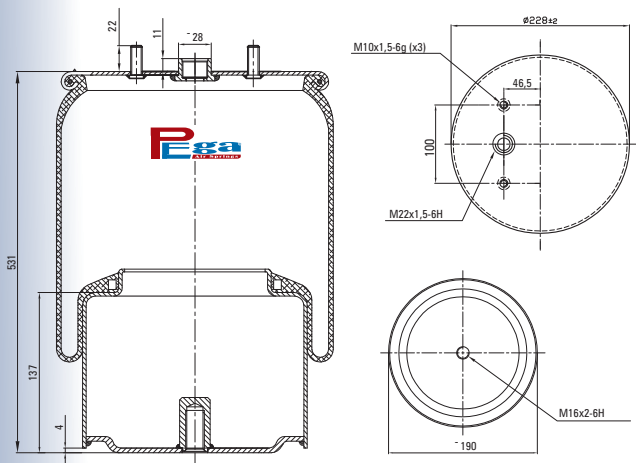


Cross References		OE Part No	
VIBRACOUSTIC	V1DK 27B-2	HENDRICKSON	HS 507923
		BMC	827-DCx/ZCx/ZCF
			832-YCx
			1142-DCx
		FORD	HS50792

METAL PISTON

4,7 KG.

P10.9374.C



Cross References

OE Part No

DAF	1849374
-----	---------

METAL PISTON

6,5 KG.

NOTES