

Product Range

Edition 2015





*Quality is never accident;
it is always the result of intelligent effort.*
John Ruskin

All Original Equipment Manufacturer part numbers and Cross reference code numbers at the PEGA catalogue are itemized just for comparing.

It is not implied that any part listed is the product of these manufacturer.

We do not guarantee the accuracy or reliability and accept no liability for any loss or damage arising from any inaccuracies or omission in this catalogue

The contents of this catalogue must not be copied or reproduced without the written permission from PEGA Otomotiv Süspansiyon San. ve Tic. A.Ş.

©2015 by PEGA Otomotiv Süspansiyon San. ve Tic. A.Ş. All Rights Reserved.

Tüm OEM parça numaraları ve Çaprazlama İletişimindeki ürün kodları PEGA ürün kataloğunda sadece karşılaştırma amacı ile yer almaktadır.

PEGA Kataloğunda belirtilen ürün o üreticinin ürünü olduğuna dair bir bilgi yer almamaktadır.

Katalogta yer alan bilgilerin kesinliğine dair bir garanti vermiyoruz ve belirtilen ürün kriterlerinden ya da eksik bilgilerden kaynaklanan hata ya da zararlardan dolayı sorumluluk kabul etmiyoruz.

Bu katalogta yer alan bilgi ve resimler PEGA Otomotiv Süspansiyon San. ve Tic. A.Ş.'nin yazılı izni olmadan çoğaltılamaz ve farklı amaçlar için kullanılamaz.

©2015 PEGA Otomotiv Süspansiyon San. ve Tic. A.Ş. Tüm Hakları Saklıdır

EXPERIENCE AND POWER AT YOUR SIDE

PEGA OTOMOTIV SUSPANSIYON SAN.VE TIC.A.S. was established in 2008 by a team well experienced on developing, manufacturing and marketing air suspension systems on the International market for years. The built up knowledge attained by multinational companies and the high quality products have brought PEGA's name up to its righteous place on the World market.

Pega, as a major air spring manufacturer, is competing with the sector leaders in 75 countries all over the World with a high quality products and a range of over 900 types. Our main strength is our target to gain a maximum customers' satisfaction by providing constant improvement, high quality products and reliable services, which is a sine qua non "a must " of our market. PEGA OTOMOTIV SUSPANSIYON SAN.VE TIC.A.S. is certificated according to ISO TS 16949:2009 and ISO 14001:2004 standards to prove its quality and willingness to strengthen its continuous improvement.

Warranty Information

Pega® air springs that use in Buses, Trucks or Trailers have Standard two-year limited warranty featuring no mi/km restriction against failure due to material or workmanship defects.

WARRANTY HAVE SOME EXCLUSIONS:

- If an external solid matter caused a defect to the air spring.
- Operation of the air springs without air pressure or under the min. riding height.
- Over extension.
- Overloading the vehicle.
- Misalignment.
- Wrong installation.
- Using air spring in incorrect place.

TWO YEAR WARRANTY

Pega® air springs have been designed to provide thousands of miles or kms of trouble free service. The durability of Pega® Air spring is such that they will often outlast other maintenance items; such as shocks, bushings and levelling valves or other concerned parts related to the suspension system of vehicle. Pega® air springs are warranted to be free of material defects and/or workmanship for 2 years, depending upon the application. Free replacements may be provided by the manufacturer, dealer or by any Pega® air spring distributor (for details, please contact with customer representative). Since each individual air spring is closely examined and pressure tested at our production plant in Bursa, TURKEY. The vast majority of premature failures and consequent warranty returns are found not to be defected, but fail because of abuse caused by other problems associated with the suspension. Before you install a new air spring, you should carefully examine to determine what caused it to fail. If there was any problem in the suspension system, then the new air spring will also fail unless you correct the problem.



IMPORTANT DETAILS

• WARNING!

Do not inflate unless fully secured in the suspension or other adequate structure at design height. Improper use or over inflation may cause assembly to burst causing property damage and/or injury could result.

Working temperature -40°C to +70°C, -40°F to +158°F

• STORAGE

Air springs should be kept in a dark and dry storage area at normal room temperature.

• CHEMICAL RESISTANCE

Air Springs are;

Suitable for operation temperature from -40°C to +70°C, -40°F to +158°F

Resistant to oil contaminated compressed air

Resistant to chemical non-aggressive dust

Resistant to alkaline and acidic cleaning agent

Resistant to ozone

• AIR SPRINGS ARE NOT RESISTANT TO:

Solvents

Hydraulic oils

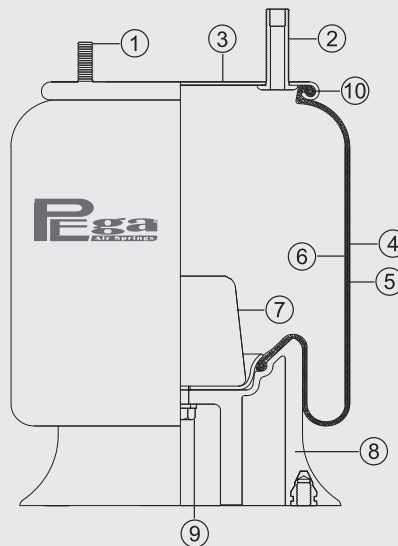
Lubrication grease

The components of PEGA airsprings

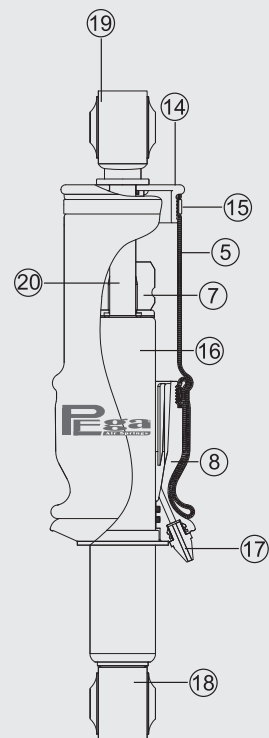


- 1- Mounting stud
- 2- Combo stud
Combination mounting stud and air fitting.
- 3- Plate
- 4- Outer rubber
- 5- Cord fabric
- 6- Inner rubber
- 7- Internal bumper
(Optional)
- 8- Piston
(Available in aluminium, steel or fibre-reinforced plastic)
- 9- Piston bolt
- 10- Bead ring
- 11- Blind nut
- 12- Air fitting hole
- 13- Girdle hub
- 14- Clamp plate
- 15- Clamp ring
- 16- Shock absorber
- 17- Air fitting
- 18- Ring mounting
(Built-in)
- 19- Ring mounting
(Replaceable bushings)
- 20- Metal rod

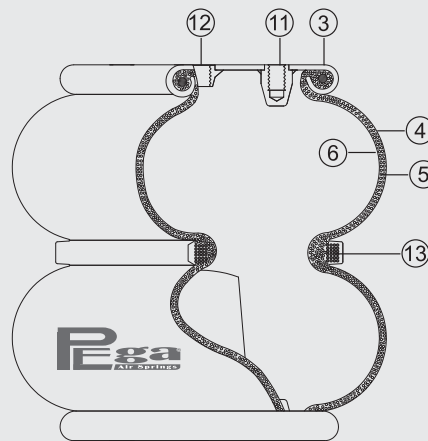
Complete rolling lobe



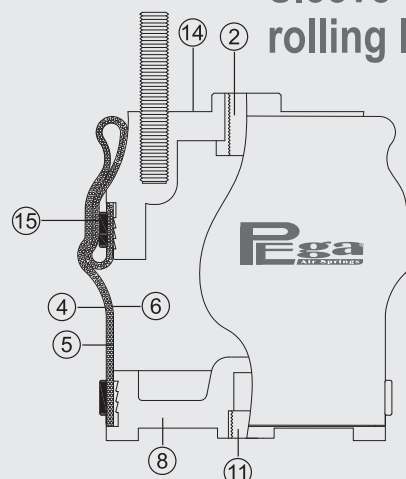
Cabin Airspring w/shock absorber



Convoluted bellow



Sleeve type rolling lobe



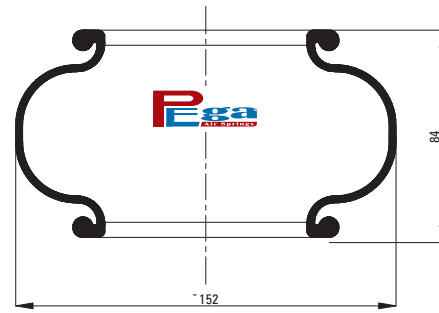
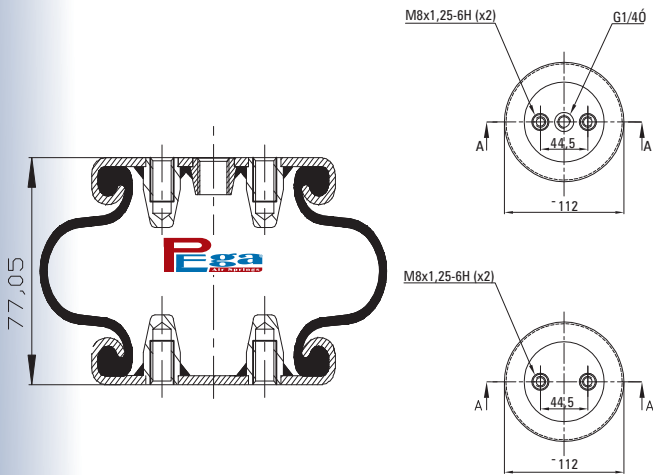
“Service Assembly”

A “Service assembly” includes a plate, bellows, internal bumper (if any), and all attaching hardware



P30.1150.P01

P30.1151.M01



Cross References

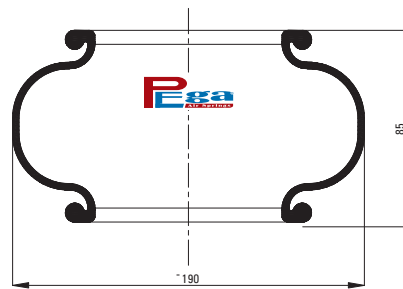
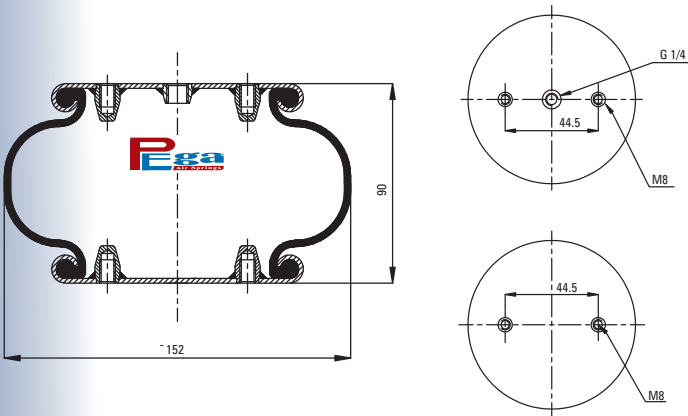
OE Part No

Cross References
CONTITECH FS 70-7 60512

OE Part No
SCHMITZ 017 685
WEWELER US 04031 P

P30.1151.P01

P30.1191.M01



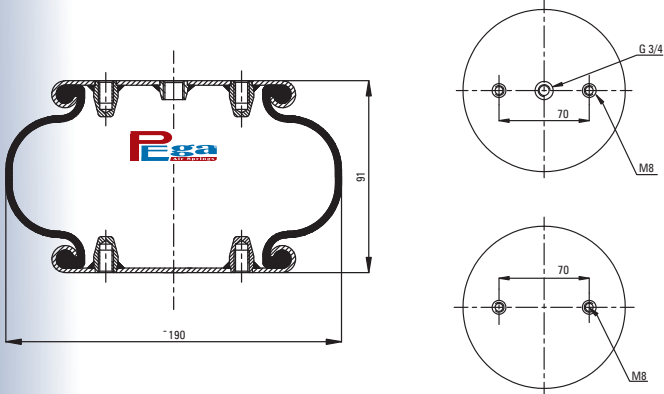
Cross References
CONTITECH FS 70-7 2681 015 000
SP 1B 05

OE Part No

Cross References
CONTITECH FS 120-9 60479
FIRESTONE W01.358-0133

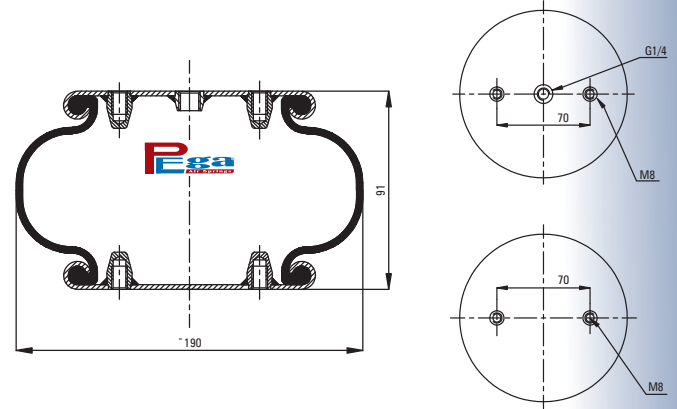
OE Part No

P30.1191.P01



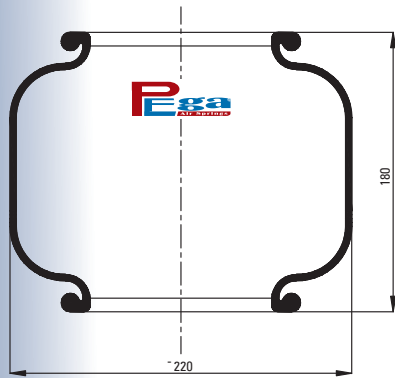
Cross References		OE Part No
CONTITECH	FS 120-9 2681 030 000	
DUNLOP	8" X1 S08 101	
FIRESTONE	W01.M58-6165	

P30.1191.P02



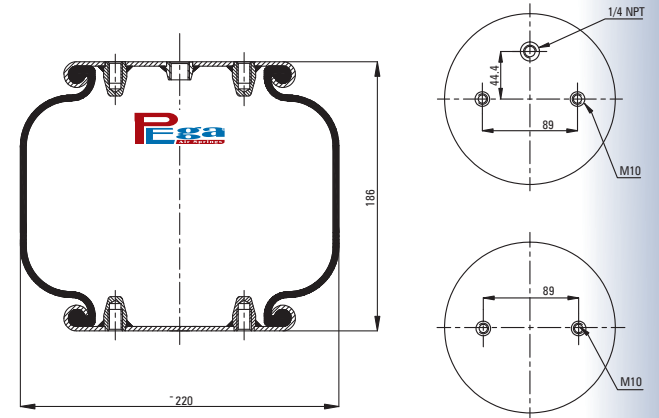
Cross References		OE Part No
CONTITECH	FS 120-9 61358	
DUNLOP	8" X1 S08 100	
FIRESTONE	W01.M58-6166	
PHOENIX	1 B 07	

P30.1211.M01



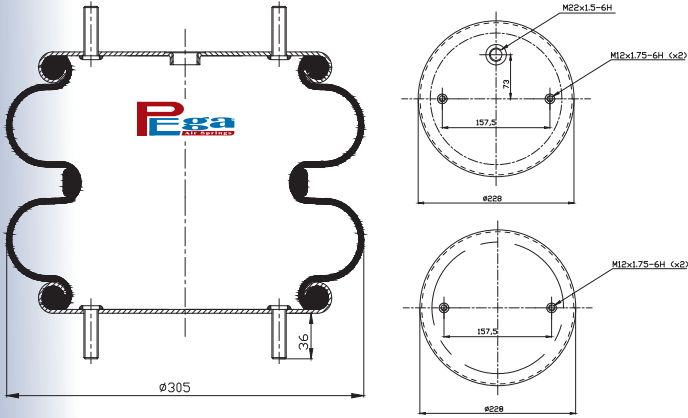
Cross References		OE Part No
		GART T291/B

P30.1211.P01



Cross References		OE Part No
		GART T291/B (291.1.170)

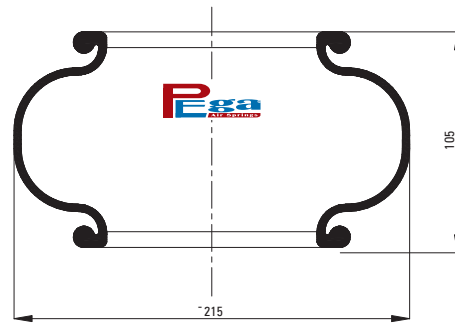
P30.1211.P02



Cross References

OE Part No

P30.1212.M01

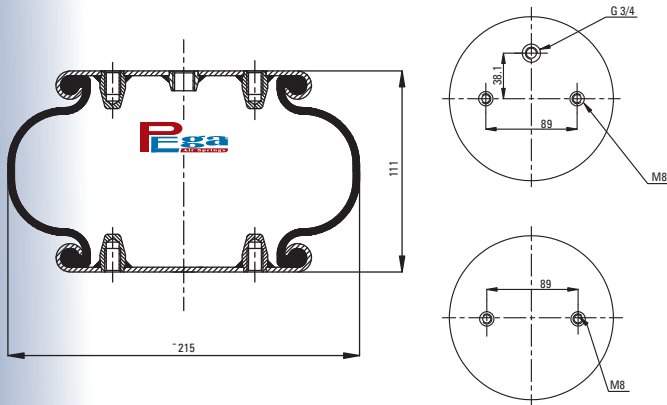


Cross References

OE Part No

CONTITECH FS 200-10 60319

P30.1212.P01

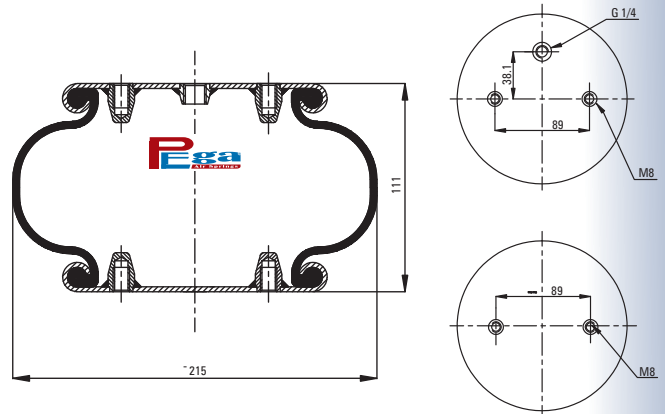


Cross References

OE Part No

CONTITECH FS 200-10 3/4 M8
 DUNLOP 9" 1/4X1 S09101
 FIRESTONE W01.M58-6374
 PHOENIX SP 1 B 12

P30.1212.P02

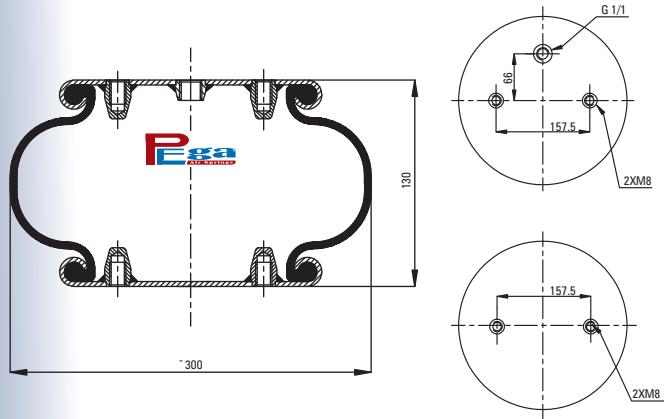


Cross References

OE Part No

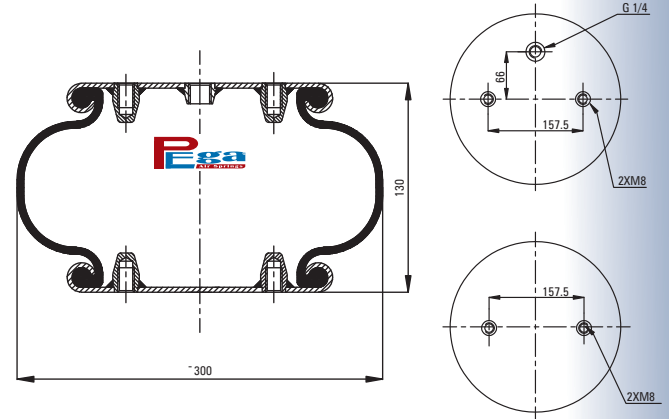
CONTITECH FS 200-10 1/4 M8
 DUNLOP S09100
 PHOENIX SP 1 B 12

P30.1301.P01



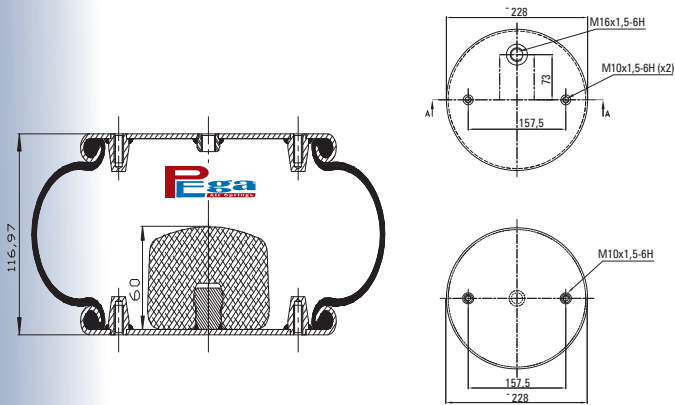
Cross References		OE Part No
CONTITECH	FS 330-11 1/1 M8	

P30.1301.P02



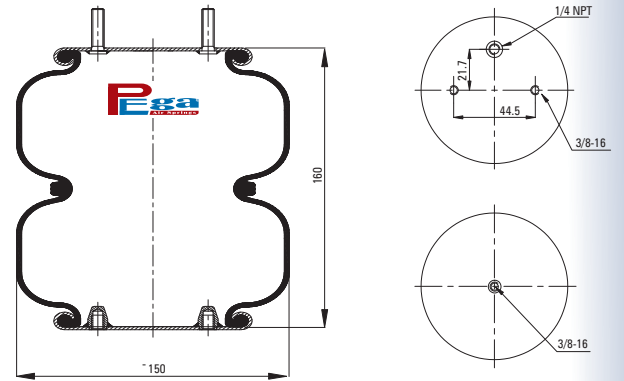
Cross References		OE Part No
CONTITECH	FS 330-11 1/4 M8	

P30.1301.P03



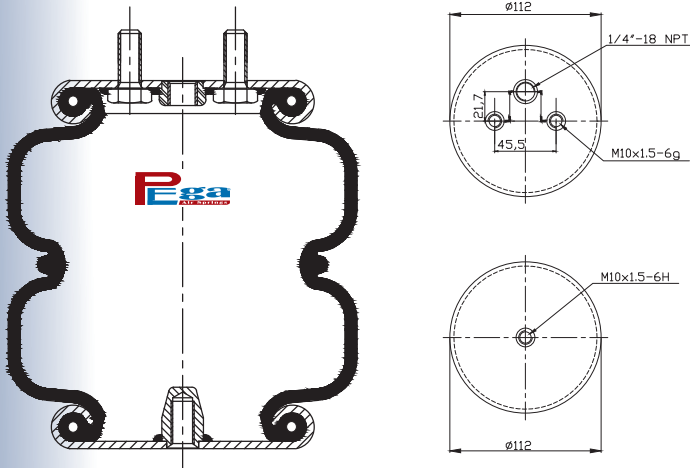
Cross References		OE Part No
FIRESTONE	19B.75	

P30.2150.P01



Cross References		OE Part No

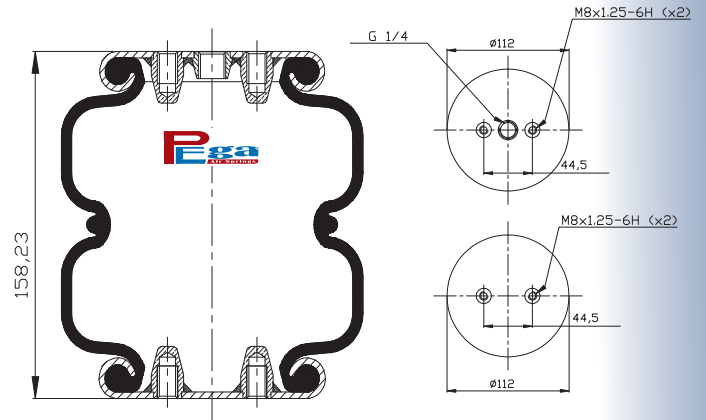
P30.2150.P02



Cross References	
FIRESTONE	A01.760.6781

OE Part No

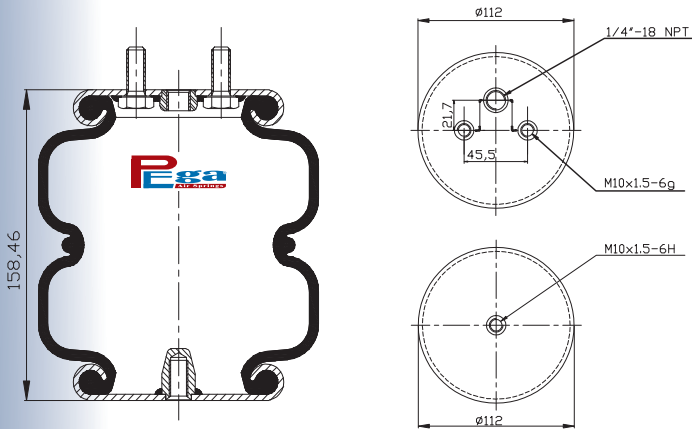
P30.2150.P04



Cross References	
CONTITECH	FD 70-13 1/4 M8
FIRESTONE	W01 M58 6105

OE Part No

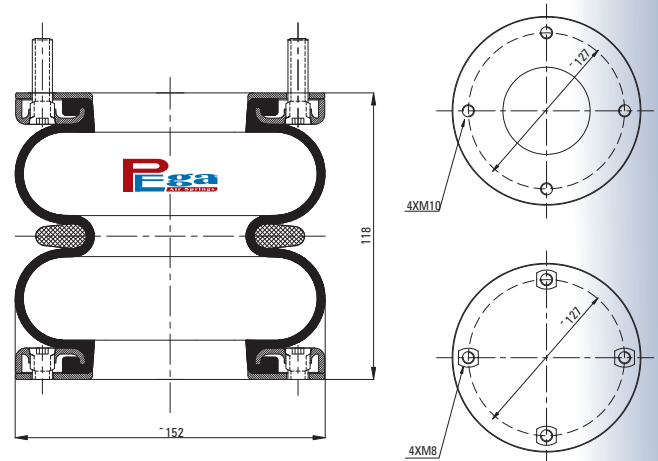
P30.2150.P05



Cross References	

OE Part No

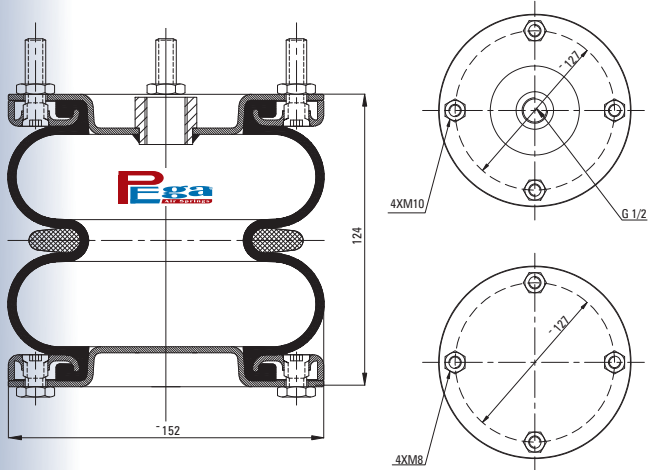
P30.2151.F01



Cross References	
DUNLOP	6"X2

OE Part No

P30.2151.F02



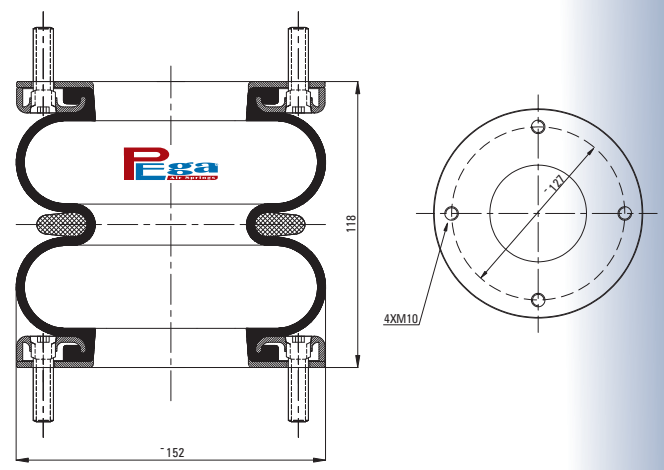
Cross References

DUNLOP DB 06219

OE Part No



P30.2151.F03



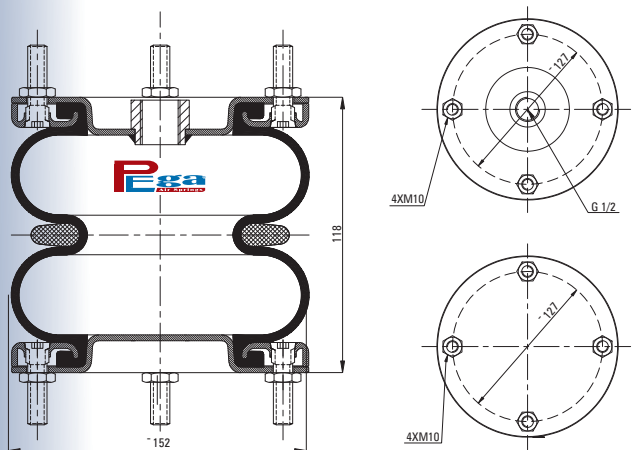
Cross References

DUNLOP 6"X2

OE Part No



P30.2151.F04



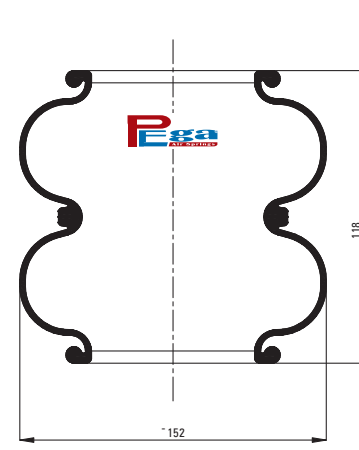
Cross References

DUNLOP 6"X2 SP1482

OE Part No



P30.2151.M01



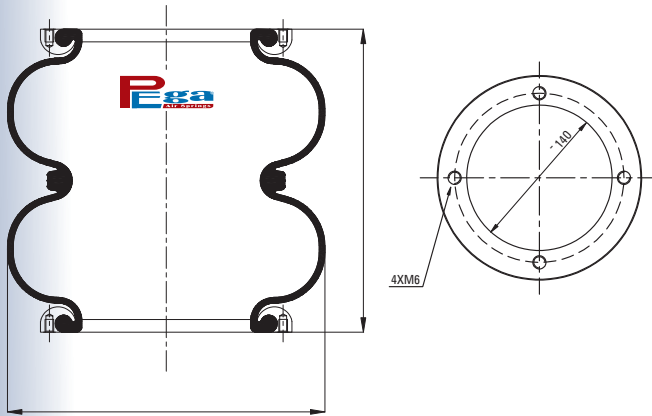
Cross References

DUNLOP 6"X2 SP917

OE Part No



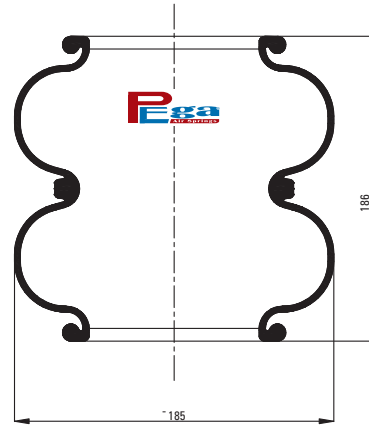
P30.2181.F01



Cross References

OE Part No

P30.2181.M01



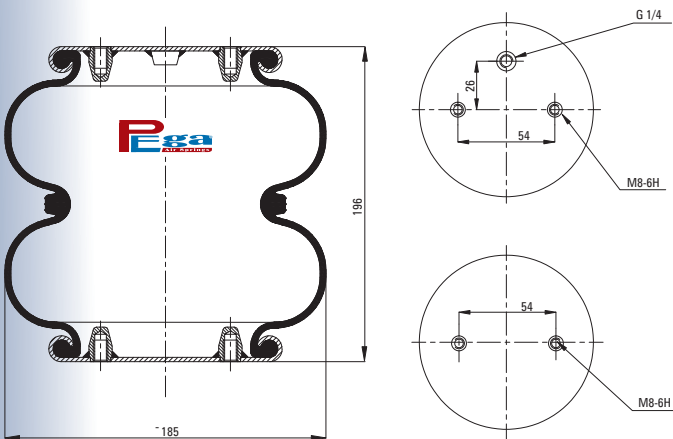
Cross References

OE Part No

CONTITECH	603 N
FIRESTONE	W01.358-0142
PHOENIX	2B 07R
PIRELLI	26

GRANNING	15801
----------	-------

P30.2181.P01

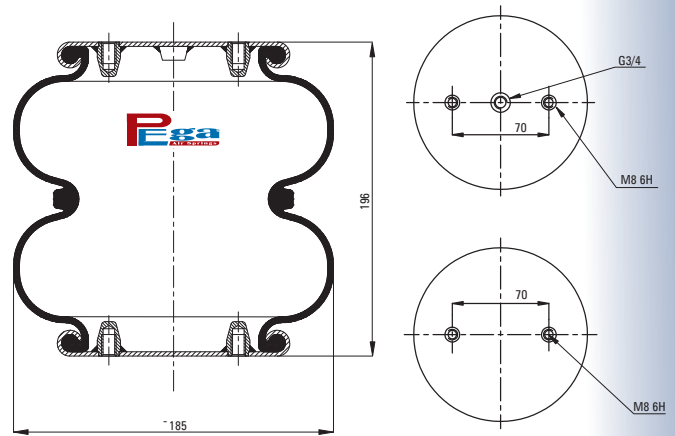


Cross References

OE Part No

CONTITECH	603 N	GIGANT	196208
DUNLOP	PNP 305510111		
GOOD YEAR	2B 8-550		
PHOENIX	SP 2B 07R		
PIRELLI	26		

P30.2181.P02

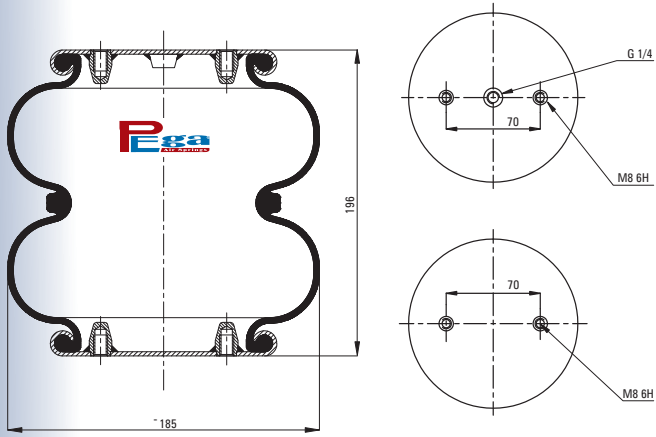


Cross References

OE Part No

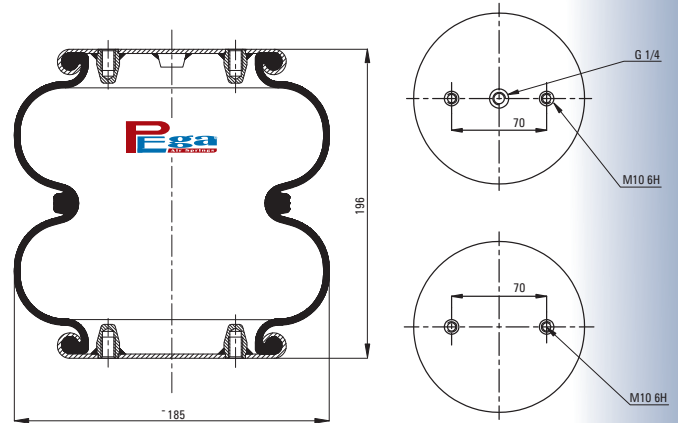
CONTITECH	FD 120-17	GIGANT	196028
DUNLOP	SO 8201	GRANNING	16036
FIRESTONE	W01.M58-6378	HENDRICKSON	NA 1821
GOOD YEAR	2B 7-540		
PIRELLI	T26 84181		
TAURUS	KF 218		

P30.2181.P03



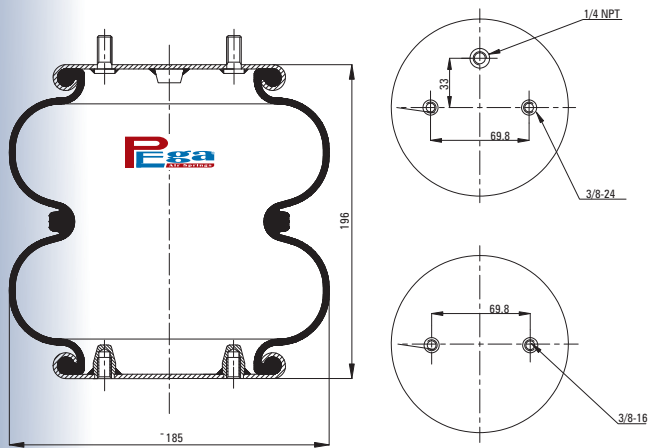
Cross References		OE Part No	
FIRESTONE	W01.M58-6353	GIGANT	196028

P30.2181.P04



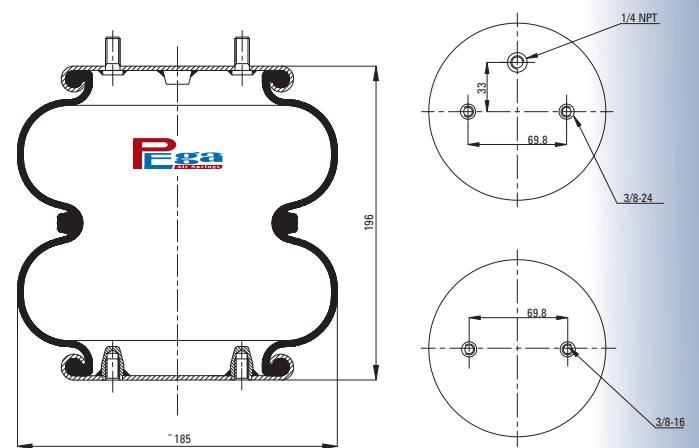
Cross References		OE Part No	

P30.2190.P01



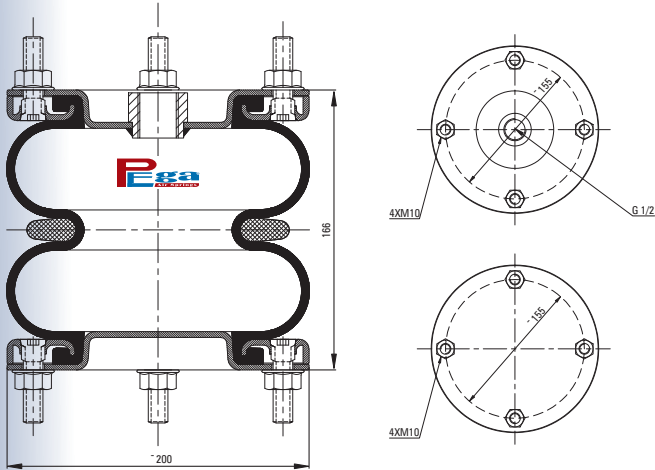
Cross References		OE Part No	

P30.2190.F01



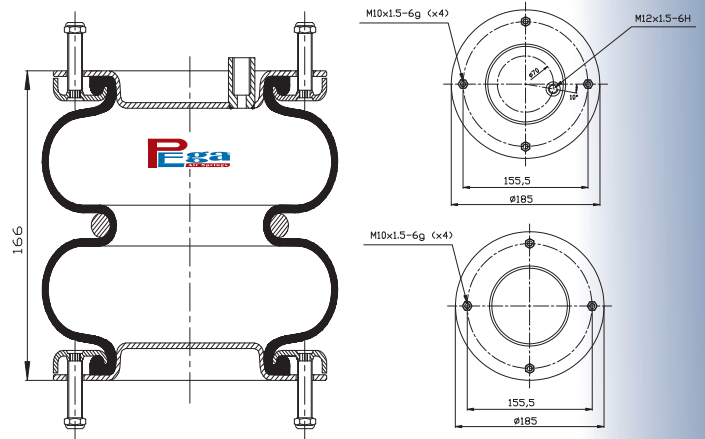
Cross References		OE Part No	

P30.2201.F01



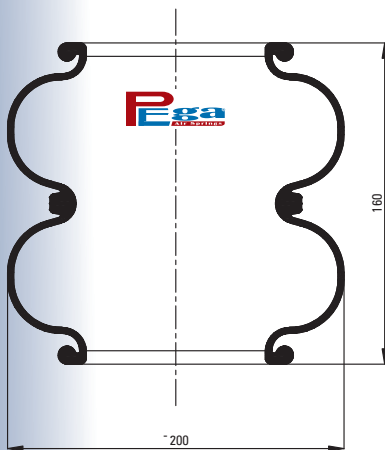
Cross References		OE Part No	
CONTITECH	FD 138-18 1/2 M10	FRUEHAUF	F48054 / M80A04
DUNLOP	SP 1490 (8"X2)	GRANNING	15803 / A06030604
GOODYEAR	2B8-2150	LOHR	A06030604
		SAMRO	H2500188

P30.2201.F03



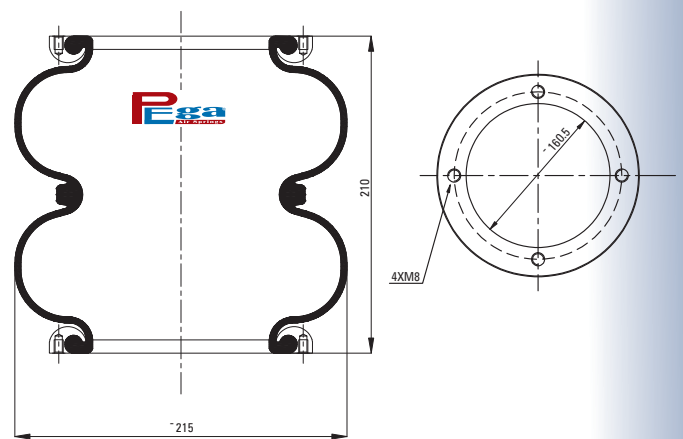
Cross References		OE Part No	
DUNLOP	SP2601-8"x2		

P30.2201.M01



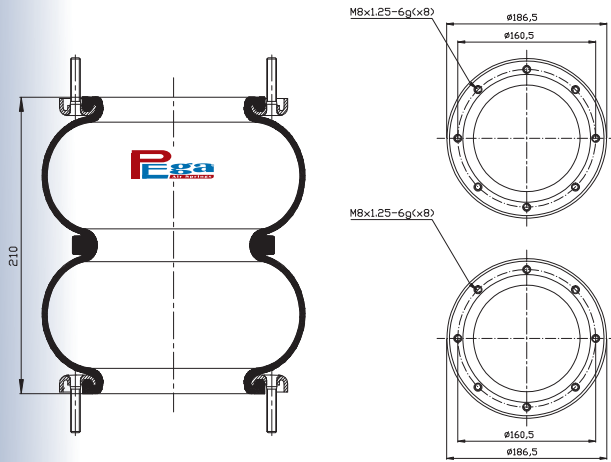
Cross References		OE Part No	
CONTITECH	FD 138-18 S		
DUNLOP	8"X2		

P30.2211.F01



Cross References		OE Part No	
DUNLOP	SP 254		
FIRESTONE	20		
PHOENIX	2B12R		
PIRELLI	T20		

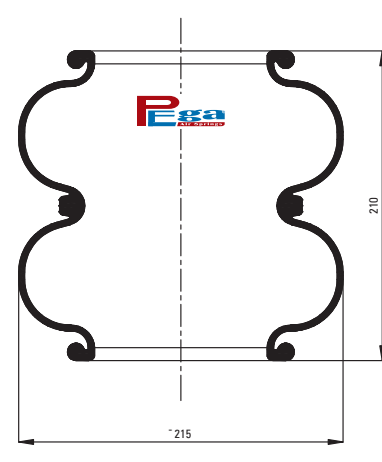
P30.2211.F02



Cross References	

OE Part No	

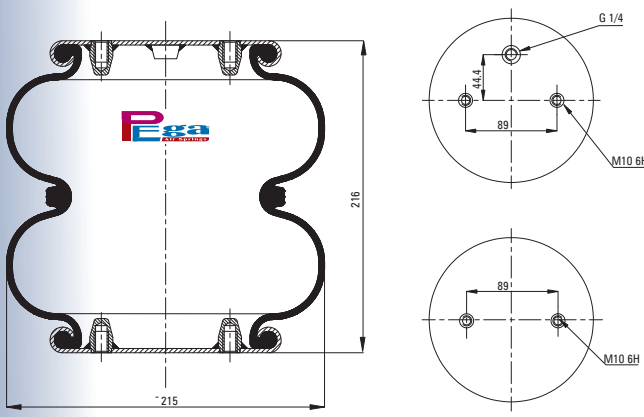
P30.2211.M01



Cross References	
CONTITECH	FD 200-19 S (895N)
DUNLOP	S09201
FIRESTONE	W01-095-0009
GOOD YEAR	2B9-200
PHOENIX	2B12R
PIRELLI	T20 86600

OE Part No	
GRANNING	15947

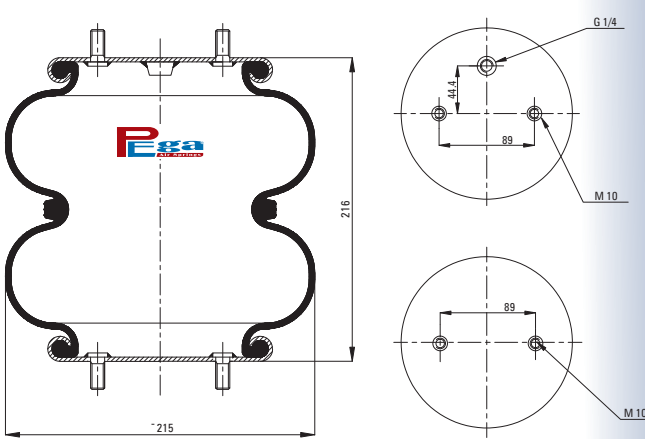
P30.2211.P01



Cross References	
CONTITECH	FD 200-19 1/4 M10
DUNLOP	9" SO 9201
FIRESTONE	W01-M58-6887/6910
GOOD YEAR	2B9-201
PHOENIX	SP 2B 12R
PIRELLI	T20

OE Part No	
GART	T291/2 (291.2.200)
GRANNING	15603
MERITOR	2122 1395 / 2122 2663
WEWELER	US 06910 F
VOLVO	6882797
VOLVO	365461
VOLVO	365431

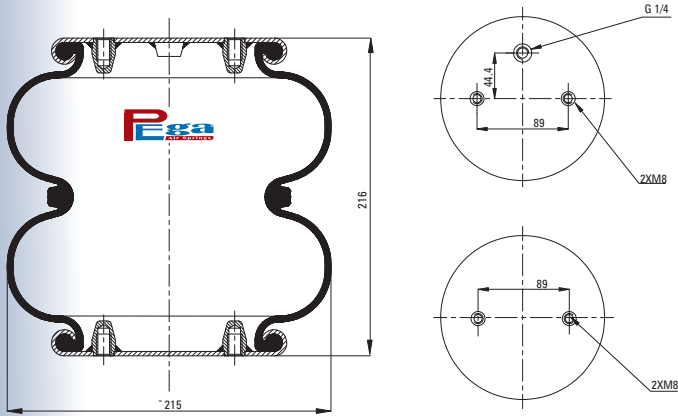
P30.2211.P02



Cross References	

OE Part No	

P30.2211.P03



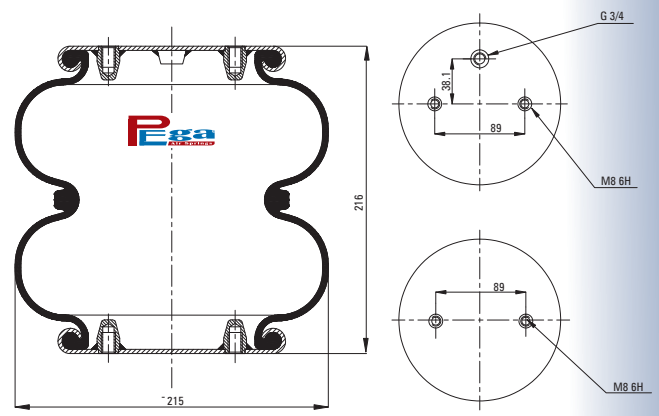
Cross References

CONTITECH	FD 200-19 1/4 M8
DUNLOP	S09201
FIRESTONE	20-2
PHOENIX	SP2B12R-1
PIRELLI	T20

OE Part No

GIGANT	190130
GRANNING	15603

P30.2211.P04



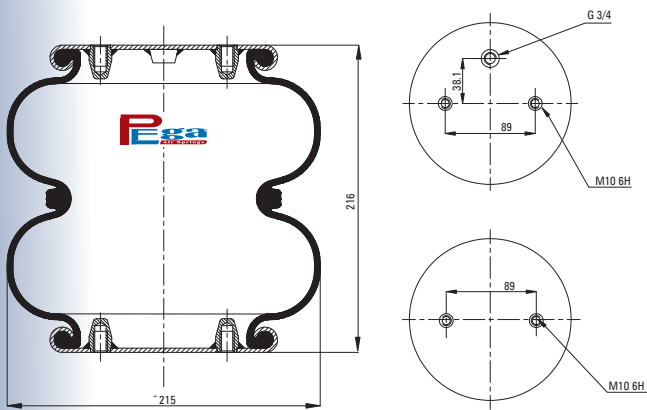
Cross References

CONTITECH	FD 200-19 3/4 M8
DUNLOP	S09202
FIRESTONE	20
PHOENIX	2B 12R-1
PIRELLI	T20

OE Part No

GRANNING	A06030604
MERCEDES	A 942 327 0601
MERITOR	2122 1395

P30.2211.P05

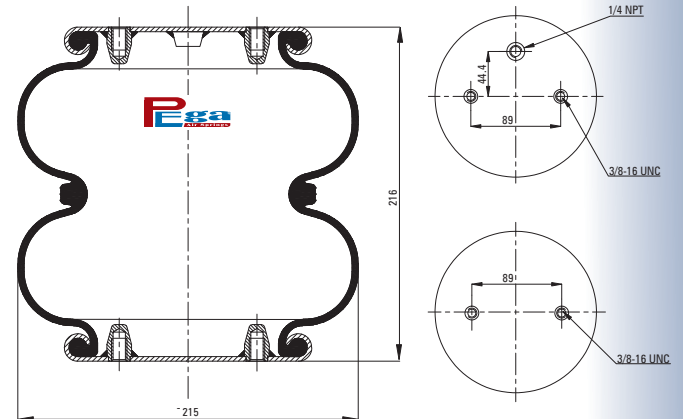


Cross References

CONTITECH	FD 200-19 3/4 M10
DUNLOP	S09202
FIRESTONE	20
PHOENIX	SP2B12R-1
PIRELLI	T20

OE Part No

P30.2211.P06



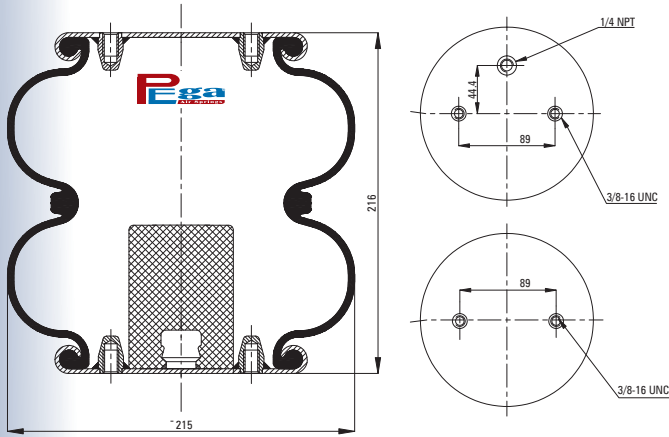
Cross References

FIRESTONE	W01-358-6910
GOOD YEAR	2B9-200
TAURUS	KF218-6910

OE Part No

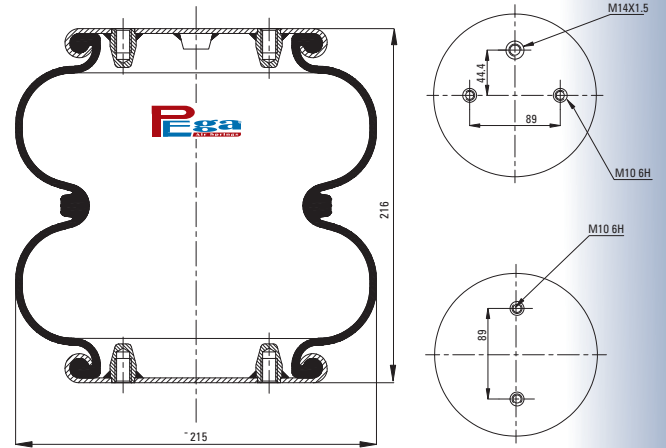
GRANNING	1371
HENDRICKSON	45843-3 /B-8768
RIDEWELL	1003586910C
WATSON & CHALIN	AS-0001

P30.2211.P07



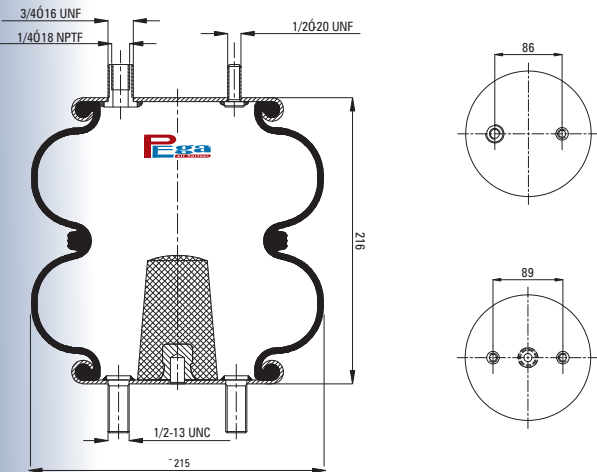
Cross References		OE Part No	
FIRESTONE	W01-358-6902	GRANNING	4848
GOOD YEAR	2B9-201	HENDRICKSON	S2630 / B2630
TAURUS	KF218-6902	RIDEWELL	1003586902C
		WATSON & CHALIN	AS-0002

P30.2211.P08



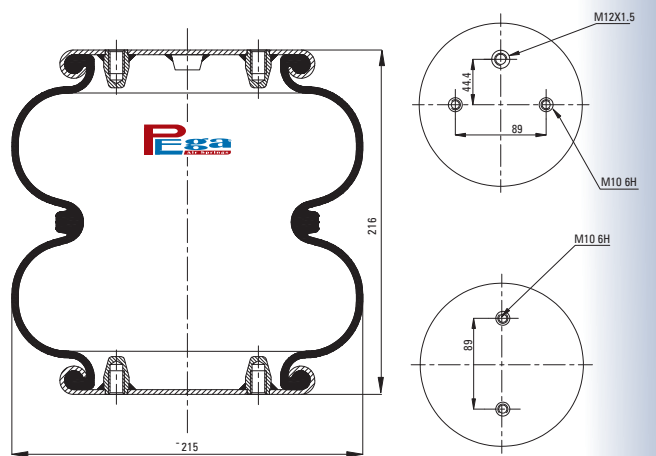
Cross References		OE Part No	
		SCANIA	1387283

P30.2211.P10



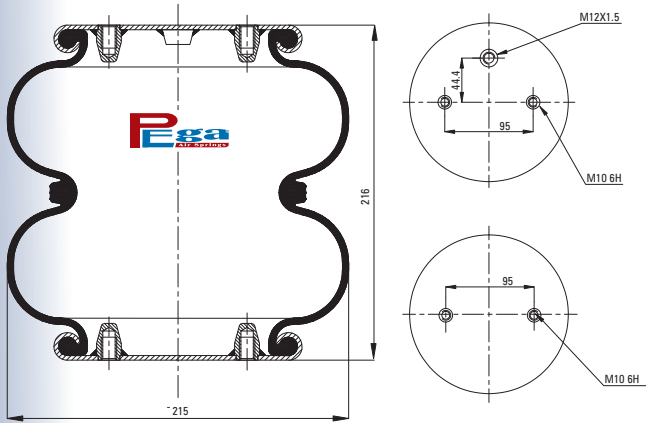
Cross References		OE Part No	
GOOD YEAR	2B9-280		

P30.2211.P11



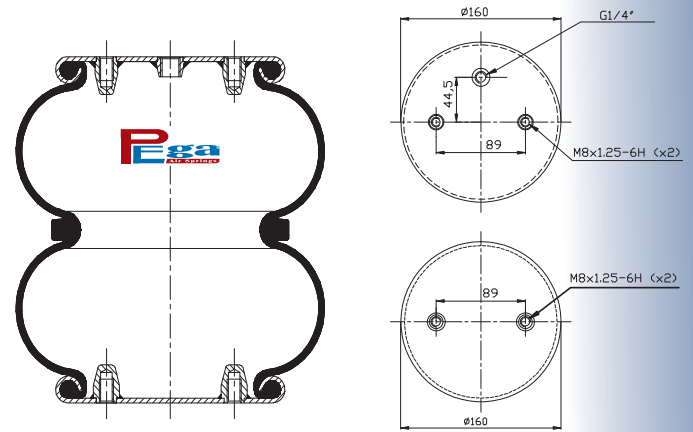
Cross References		OE Part No	
CONTITECH	FD 200-19 P04	GRANNING	A06030604
DUNLOP	9" S09208	SAF	4.229.1004.00
FIRESTONE	W01-M58-7894	SCANIA	131 9761-138 7289
GOOD YEAR	2B9-287		
PHOENIX	2B12R-3		
PIRELLI	T20 86660		
TAURUS	KF 216		

P30.2211.P12



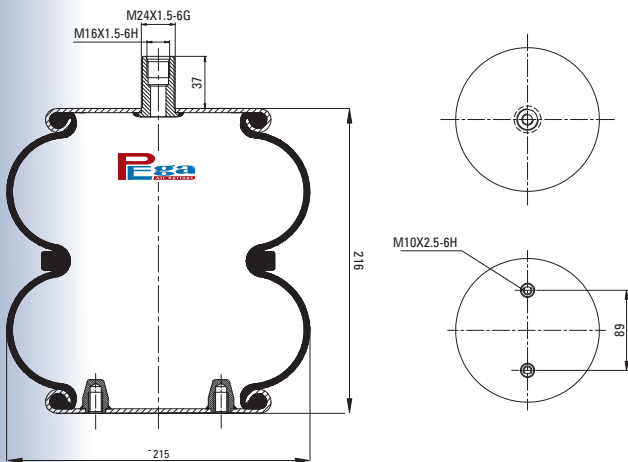
Cross References		OE Part No	
CONTITECH	FD 200-19 P03	SAF	45.98.00.5419.2
DUNLOP	9" S09203		
FIRESTONE	20-2		
PHOENIX	2B12R-3/R-5		
PIRELLI	T20		

P30.2211.P13



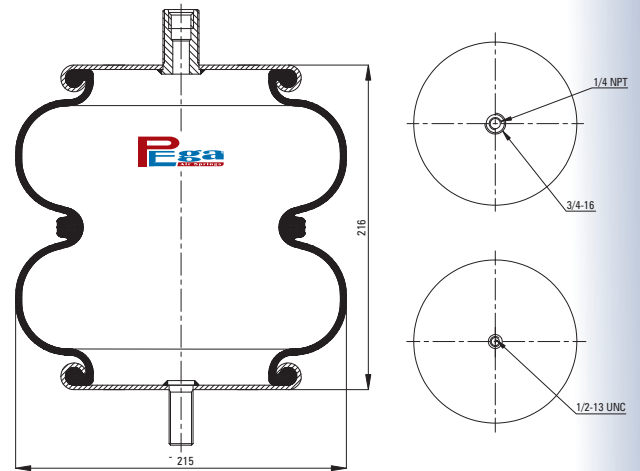
Cross References		OE Part No	

P30.2211.P14



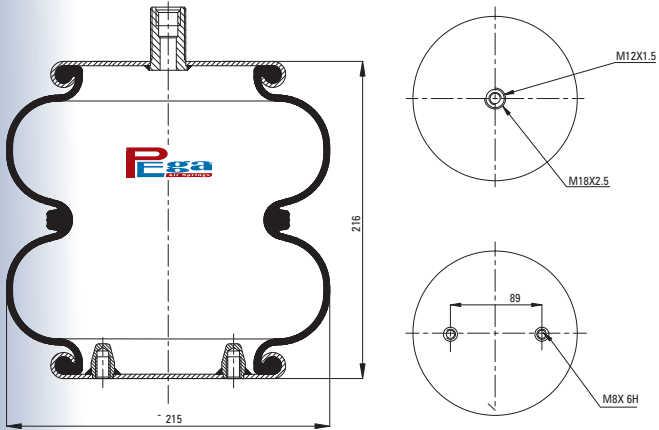
Cross References		OE Part No	
CONTITECH	FD 200-19 P02	MERCEDES	A 942 327 06 01

P30.2211.P15



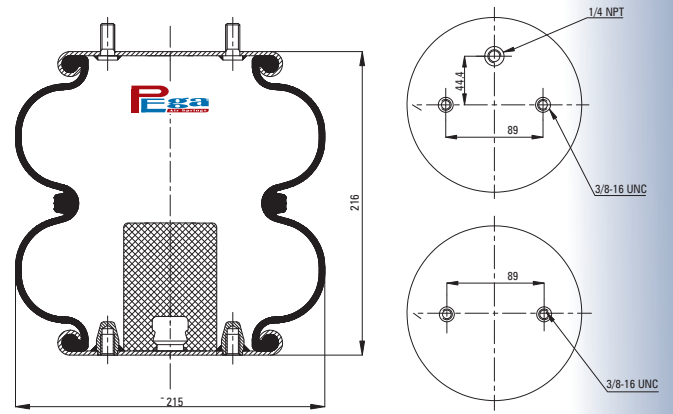
Cross References		OE Part No	
FIRESTONE	W01-358-6897		
GOOD YEAR	2B9-229		

P30.2211.P16



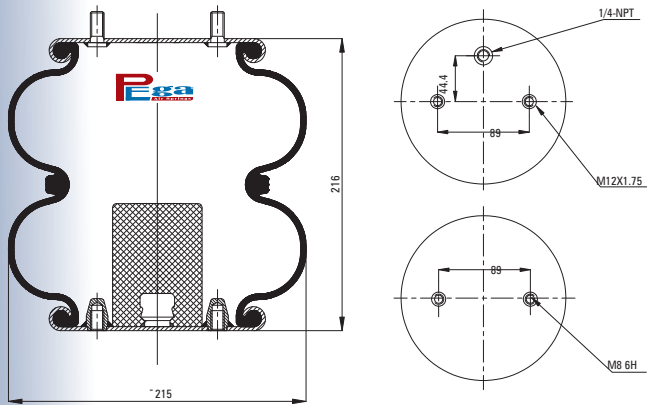
Cross References		OE Part No
FIRESTONE	20 T3 095.0353	

P30.2211.P17



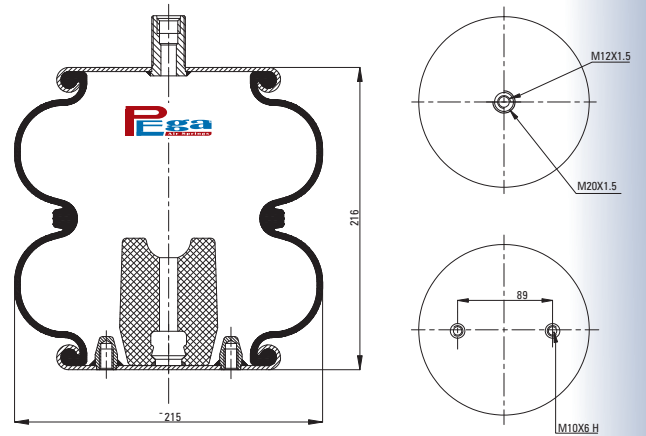
Cross References		OE Part No
FIRESTONE	W01-358-6905	HENDRICKSON S3518 / S5270
GOOD YEAR	2B9-206	
TAURUS	KF218-6905	

P30.2211.P18



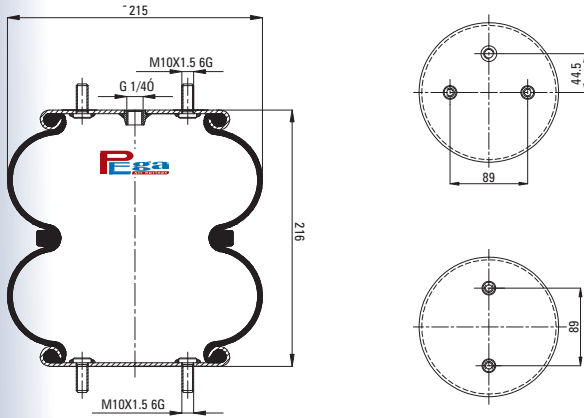
Cross References		OE Part No
FIRESTONE	20 T3 095.0313	

P30.2211.P21



Cross References		OE Part No
DUNLOP	S09201	HENDRICKSON HS507907/P
FIRESTONE	20 C	
PHOENIX	SP 2B12R-12	
PIRELLI	T20	

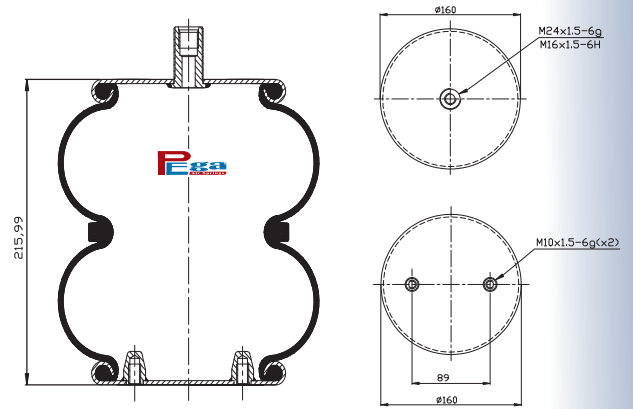
P30.2211.P22



Cross References

OE Part No

P30.2211.P23



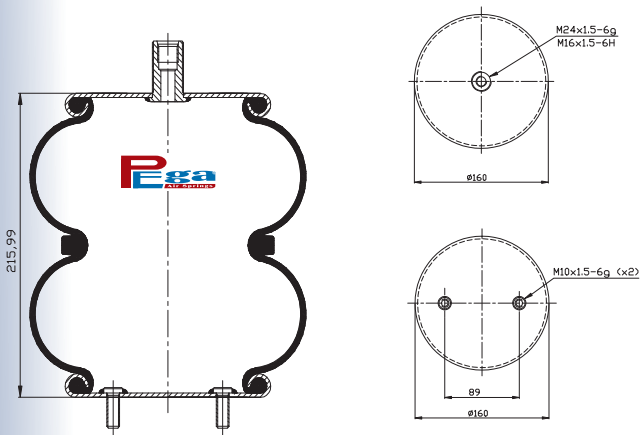
Cross References

OE Part No

GOODYEAR 2B9-234

HEDRICKSON HS 505613

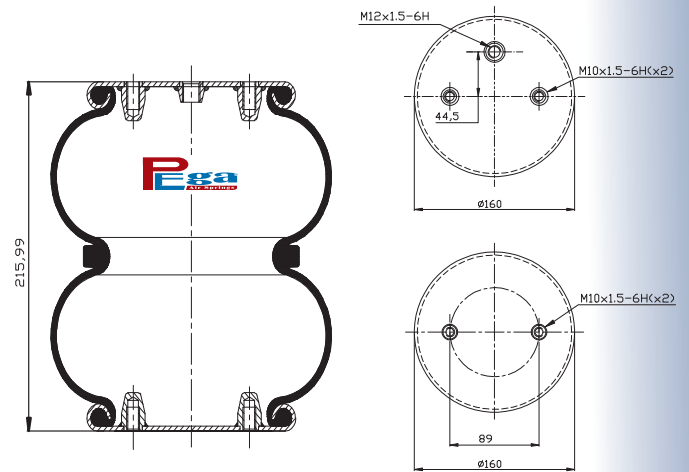
P30.2211.P24



Cross References

OE Part No

P30.2211.P25

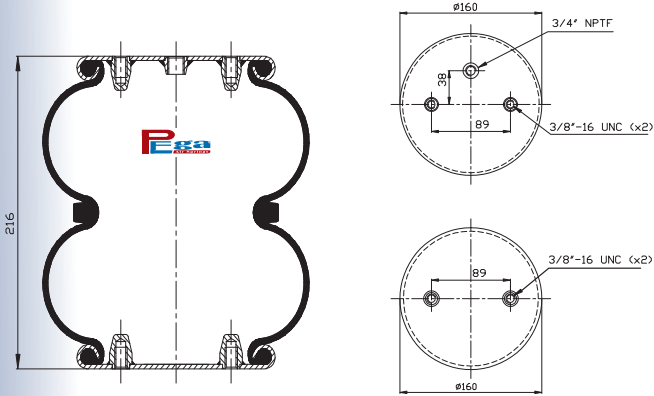


Cross References

OE Part No

PHOENIX SP2B12R-4

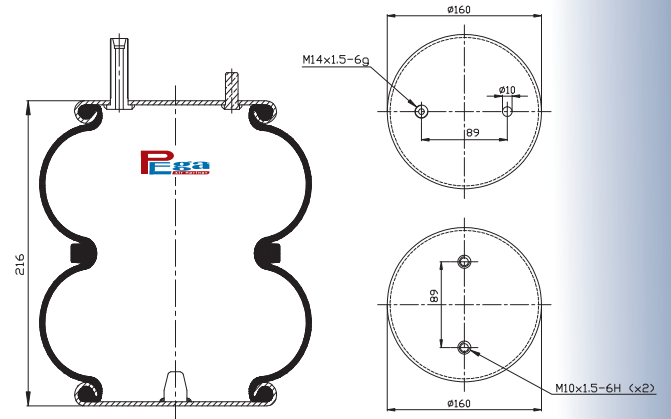
P30.2211.P26



Cross References	
CONTITECH	FD 200-19 319
FIRESTONE	W01 358 6900
GOODYEAR	2B9-216

OE Part No	
RIDEWELL	1003586900C
WATSON & CHALIN	AS-0156-1G

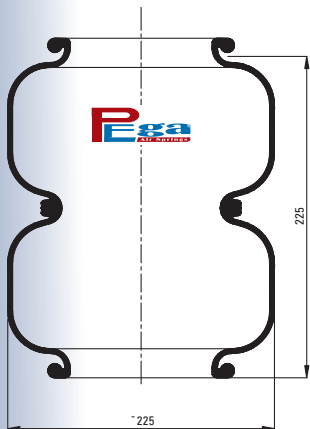
P30.2211.P41



Cross References	

OE Part No	

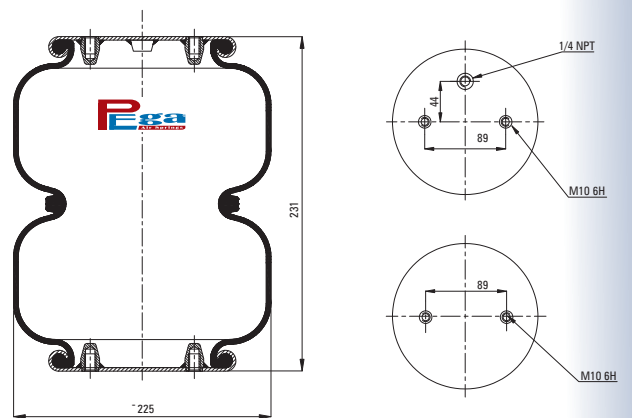
P30.2221.M01



Cross References	

OE Part No	

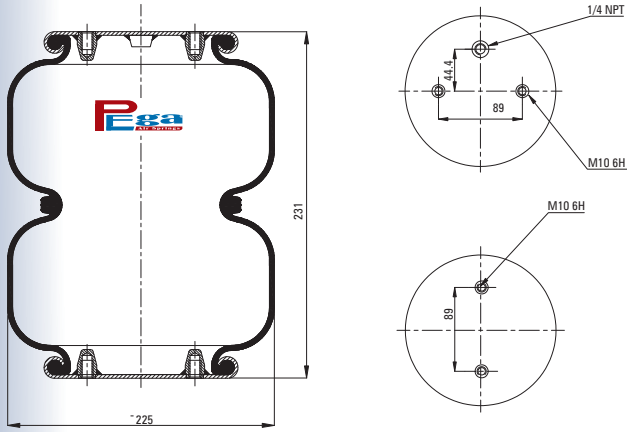
P30.2221.P01



Cross References	
CONTITECH	FD 200-25
DUNLOP	SO 9280
FIRESTONE	W01-M58-7679
GOOD YEAR	2B9-269

OE Part No	
GART	T291/2B (291.2.260)
GRANNING	15670
WEWELER	US 07394F

P30.2221.P02



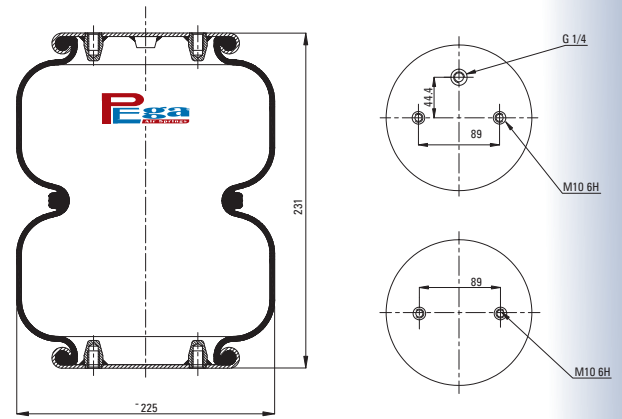
Cross References

CONTITECH	FD 200-25
FIRESTONE	W01-S05-7182

OE Part No

GRANNING	15710
SAF	1319761
SCANIA	1387283

P30.2221.P03



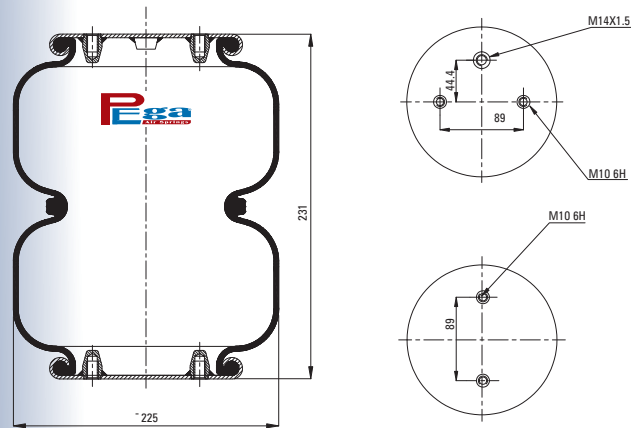
Cross References

DUNLOP	SO9280/ 9"1/4X2
FIRESTONE	W01-M58-7394
CONTITECH	FD 200-25 1/4 M10
GOODYEAR	2B9-269

OE Part No

WEWELER	US 07394F
DC	A946 3281601
ROR	21221356
SCHIMITZ	016808

P30.2221.P04



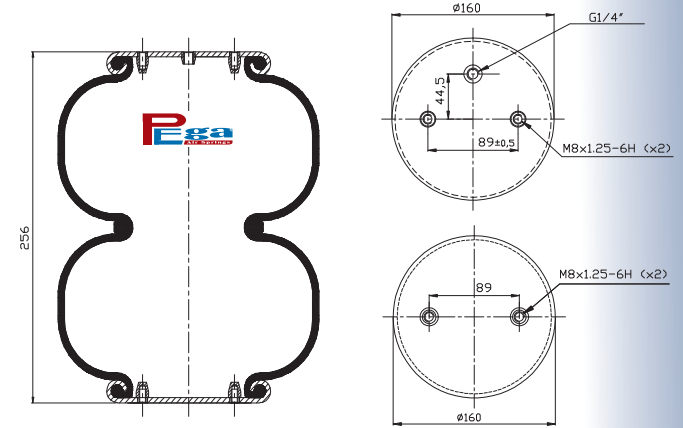
Cross References

FIRESTONE	W01-M58-6891
-----------	--------------

OE Part No

SAF	1319761
SCANIA	1387283

P30.2221.P07



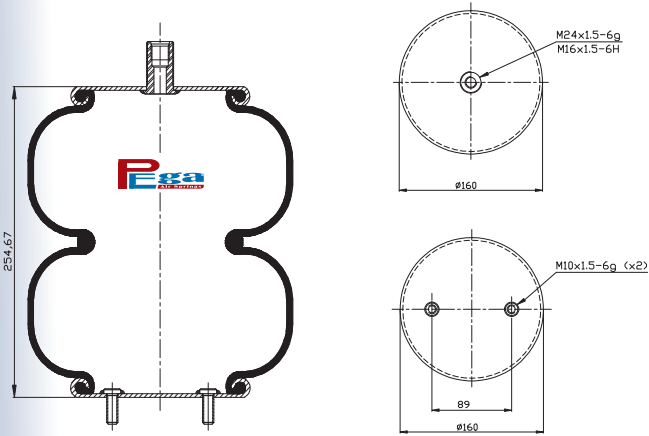
Cross References

CONTITECH	FD 20-25 1/4M8
-----------	----------------

OE Part No

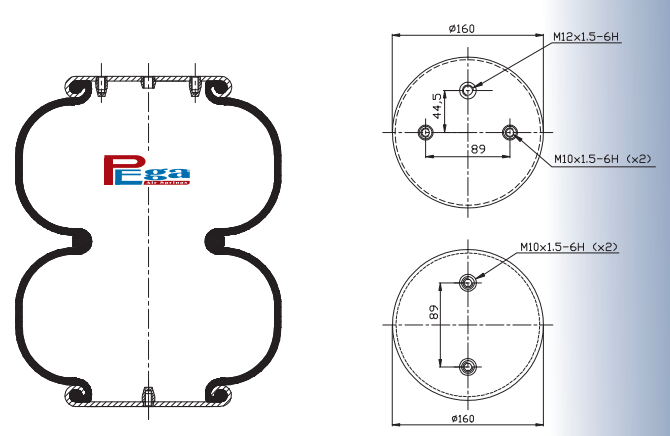
MERCEDES	A946 328 2401
----------	---------------

P30.2221.P08



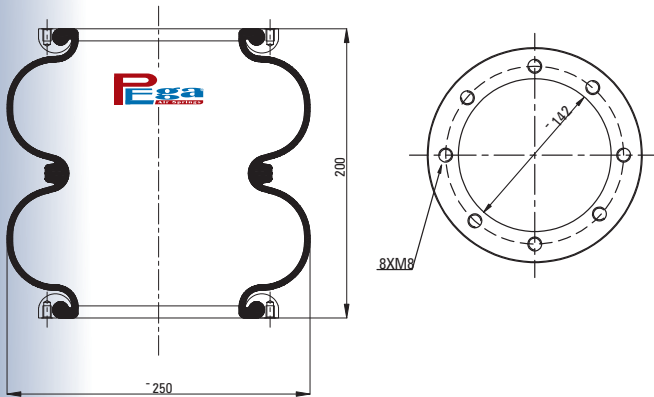
Cross References		OE Part No	
GOODYEAR	2B9-703	VOLVO	20 541 504
		RENAULT	20 541 504

P30.2221.P22



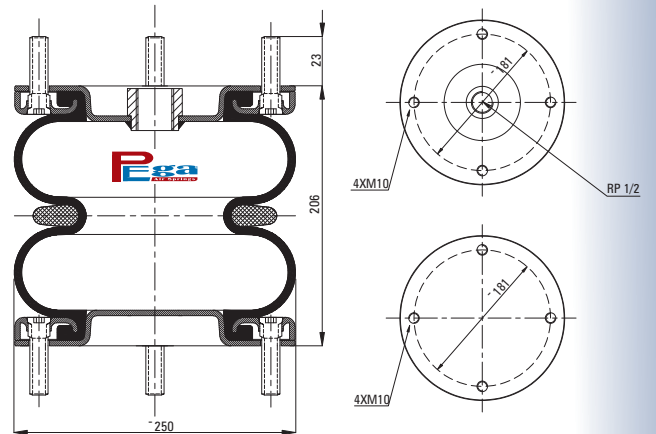
Cross References		OE Part No	

P30.2251.F01



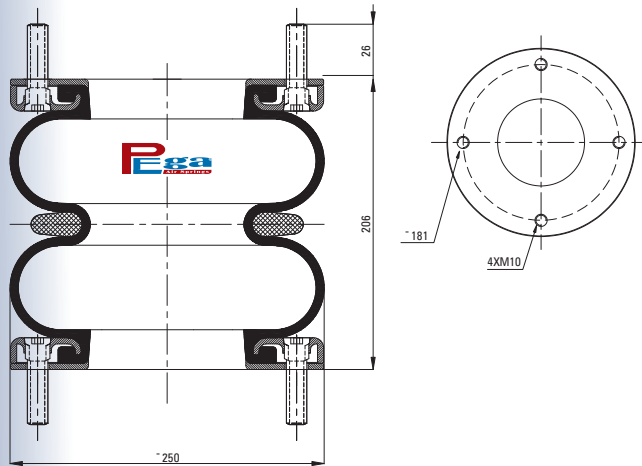
Cross References		OE Part No	
PIRELLI	T245 93740		

P30.2251.F11



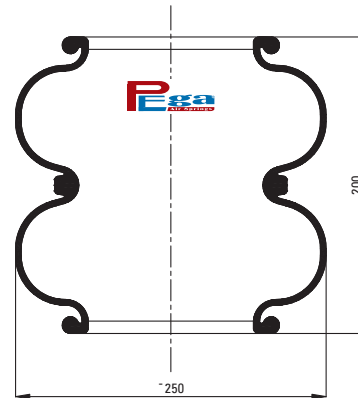
Cross References		OE Part No	
CONTITECH	FD 210-22 1/2 M10	GRANNING	15807
DUNLOP	SP1538 (10X2)		

P30.2251.F12



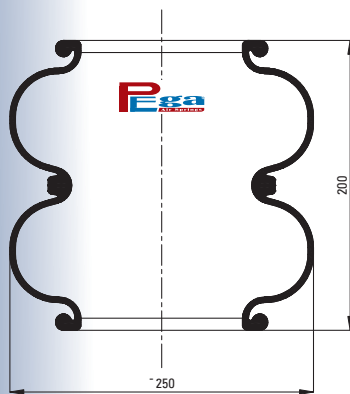
Cross References		OE Part No	
DUNLOP	SP1003 (10X2)	GRANNING	15853

P30.2251.M01



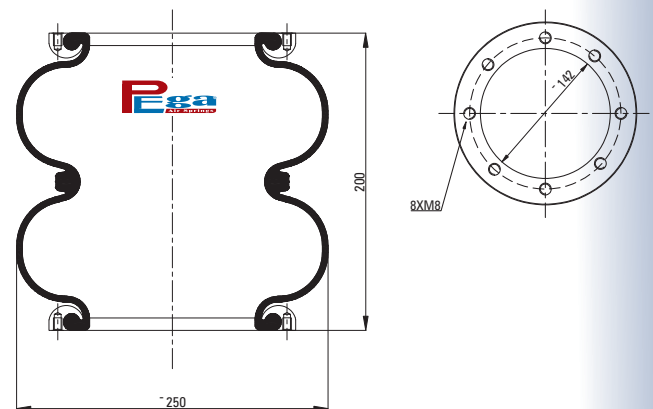
Cross References		OE Part No	
CONTITECH	620 N	BPW	02.2002.00.80
FIRESTONE	W01-095-0219	GRANNING	16051
PHOENIX	2B15R		
PIRELLI	T245 BV 93625		

P30.2251.M11



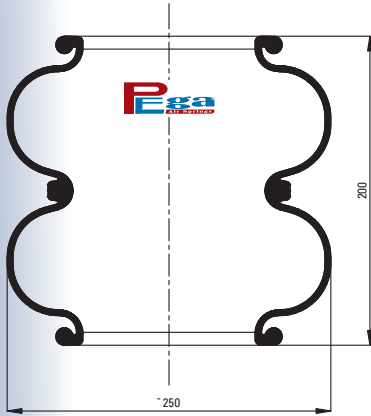
Cross References		OE Part No	
CONTITECH	FD210-22S	GRANNING	15808
DUNLOP	SP920 (10X2)		
FIRESTONE	W01-095-0175		

P30.2252.F01



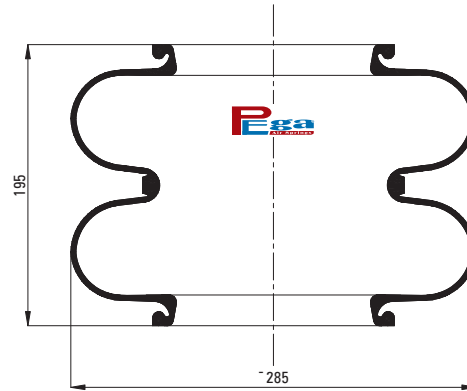
Cross References		OE Part No	
CONTITECH	620 N HYDRO	BPW	05.4290.00.40
PIRELLI	T245 BV 92141	VOLVO	6882797

P30.2252.M01



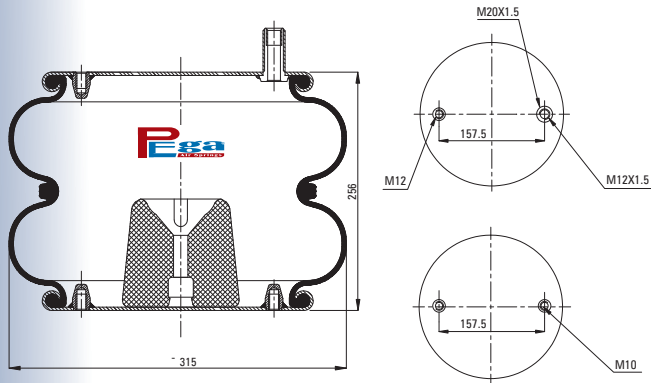
Cross References		OE Part No	
CONTITECH	620 N HYDRO	GRANNING	15710
PIRELLI	T245 BV	SAF	1319761
		SCANIA	1387283
		VOLVO	6882797
		WEWELER	US 06910 F

P30.2285.M01



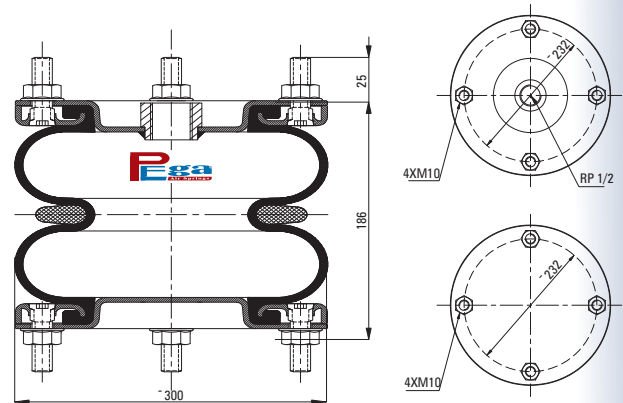
Cross References		OE Part No	
CONTITECH	608 N	BPW	02.200.20.50.0
		GRANNING	15923
		KASSBOHRER	4 731 003 000
		KASSBOHRER	4 731 024 000
		MAN	88 96420 0217

P30.2301.P01



Cross References		OE Part No	
PHOENIX	SP 2B22-RA-2	HENDRICKSON	HS 507906/P

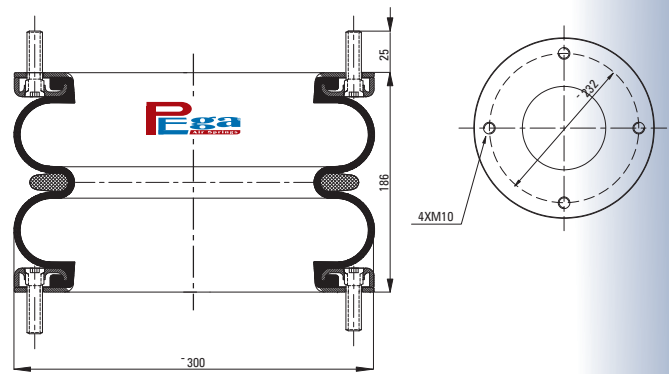
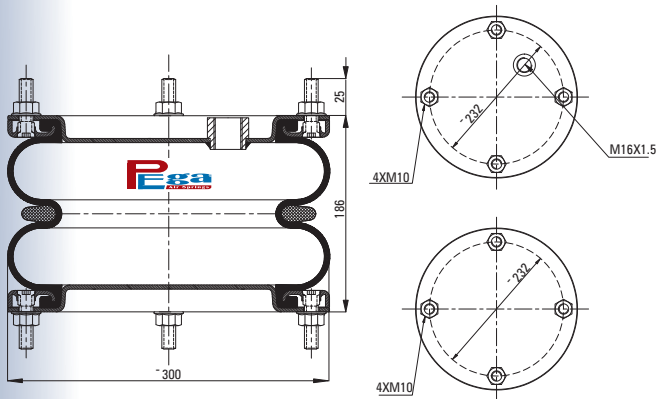
P30.2302.F01



Cross References		OE Part No	
CONTITECH	FD 412-18 1/2 M10	GIGANT	881202
DUNLOP	SP 1541 NB	GRANNING	15813
		WEWELER	USN 5100 11 KD

P30.2302.F02

P30.2302.F03

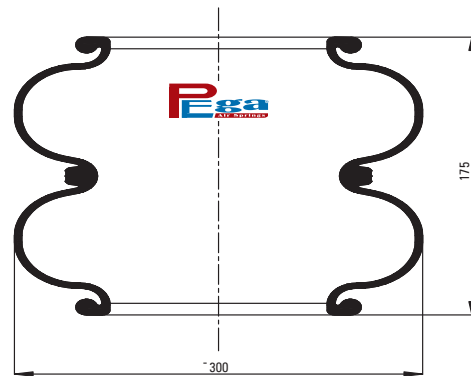
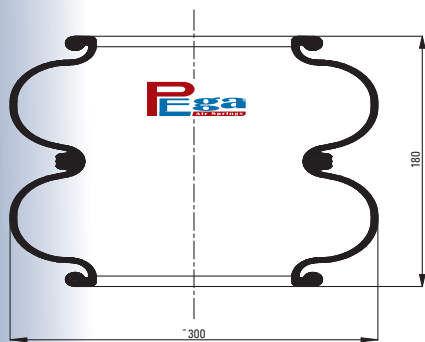


Cross References		OE Part No	
CONTITECH	FD 412-18	FRUEHAUF	U.JB 09 85/A
DUNLOP	SP 2665 (12X2)	GRANNING	15814

Cross References		OE Part No	
CONTITECH	FD 412-18	GRANNING	15863
DUNLOP	SP 1025 NB		

P30.2302.M01

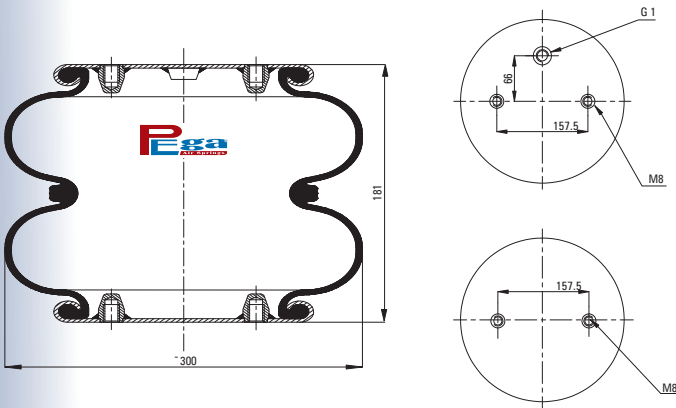
P30.2303.M01



Cross References		OE Part No	
CONTITECH	FD 412-18 S	GRANNING	15603
DUNLOP	SP 256 NB (12X2)		
FIRESTONE	22		
PHOENIX	2B22R		
PIRELLI	T22		

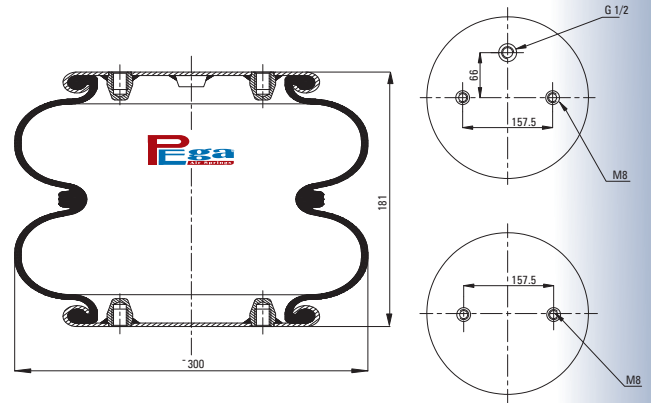
Cross References		OE Part No	
FIRESTONE	W01-358-0226		
PHOENIX	2B 22R		
PIRELLI	T22 88544		

P30.2303.P01



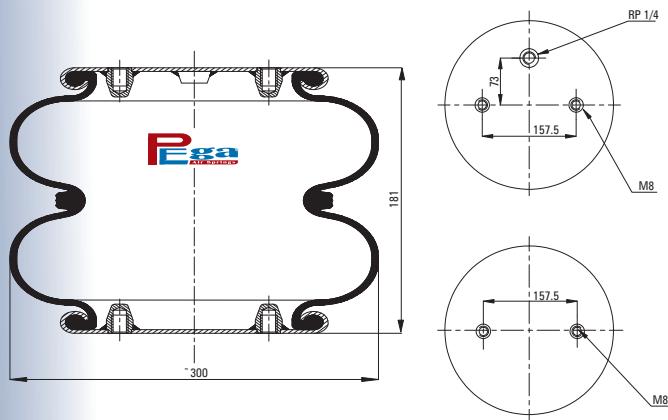
Cross References		OE Part No	
CONTITECH	FD 330-22 1/1 M8	BPW	02.2002.19.00
DUNLOP	S12201	HENDRICKSON	NA 1816
FIRESTONE	22	SAF	2.229.1001.00
PHOENIX	2B22R		
PIRELLI	T22		

P30.2303.P02



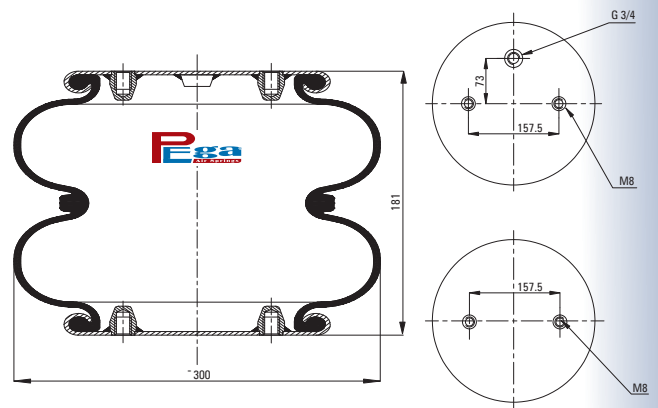
Cross References		OE Part No	

P30.2303.P03



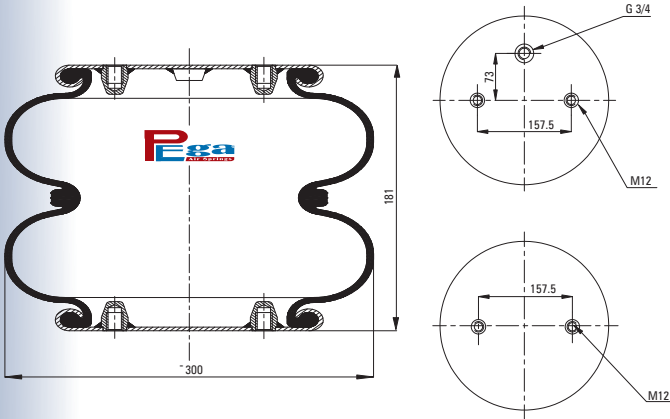
Cross References		OE Part No	
CONTITECH	FD 330-23 1/4 M8	GRANNING	15646
DUNLOP	S12202	HENDRICKSON	NA 1816
FIRESTONE	W01-M58-6381		
GOOD YEAR	2B22R		
PHOENIX	2B22R		
PIRELLI	T22		

P30.2303.P04



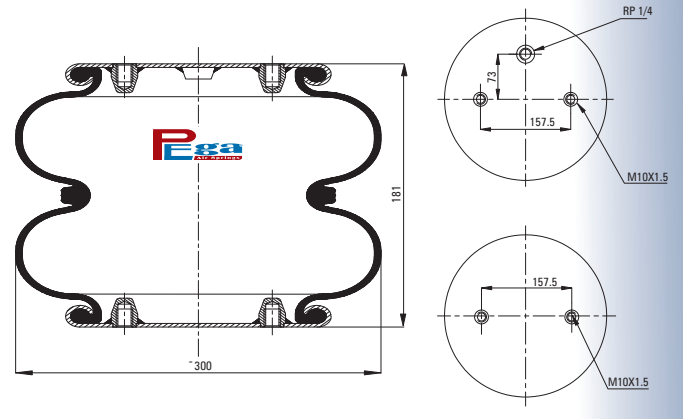
Cross References		OE Part No	
CONTITECH	FD 330-22 3/4 M8		
DUNLOP	S12200		
FIRESTONE	W01-M58-6200		
PHOENIX	2B22R		
PIRELLI	T22		

P30.2303.P05



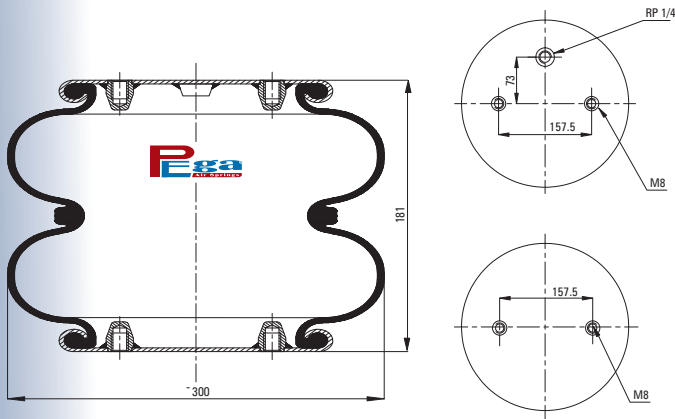
Cross References		OE Part No
CONTITECH	FD 330-22 3/4 M12	
FIRESTONE	22	
PHOENIX	SP2B22R	
PIRELLI	T22	

P30.2303.P06



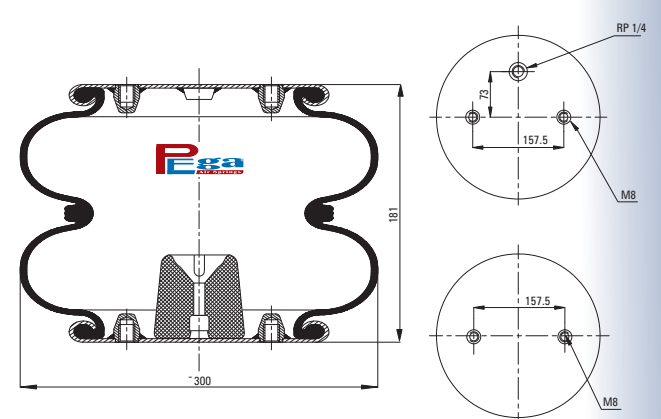
Cross References		OE Part No
CONTITECH	FD 330-22 1/4 M10	GRANNING 15646
DUNLOP	S12201 (12X2)	HENDRICKSON NA 1816
FIRESTONE	22	SAF 3.229.1001.00
PHOENIX	2B22R	
PIRELLI	T22	

P30.2303.P07



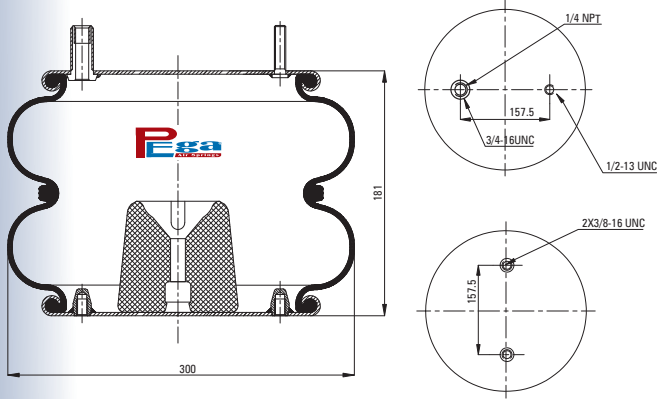
Cross References		OE Part No
PHOENIX	SP2B22R	

P30.2303.P08



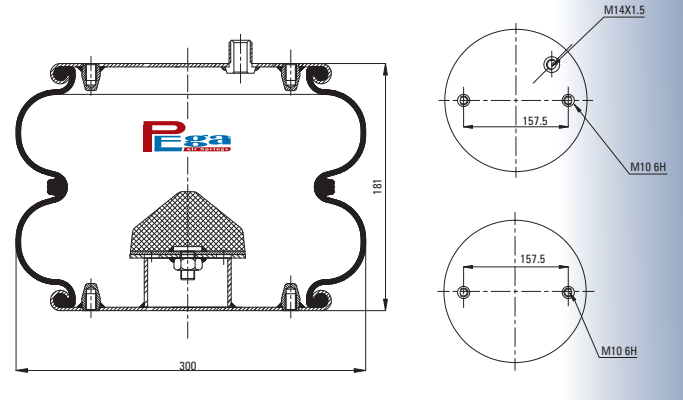
Cross References		OE Part No
FIRESTONE	W01-358-7400	GRANNING 2726
GOOD YEAR	2B12-309	HENDRICKSON S1013 /C1013
TAURUS	KF222-7400	SCANIA 1304528

P30.2303.P09



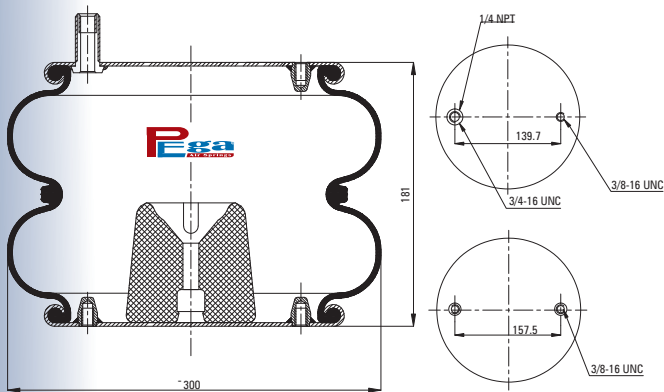
Cross References		OE Part No	
FIRESTONE	W01-358-7410	HENDRICKSON	S10170
GOOD YEAR	2B12-406		
TAURUS	KF222-7410		

P30.2303.P10



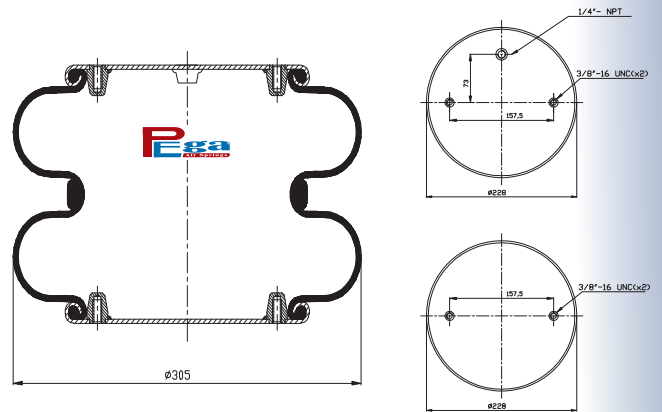
Cross References		OE Part No	
		SCANIA	1510249

P30.2303.P11



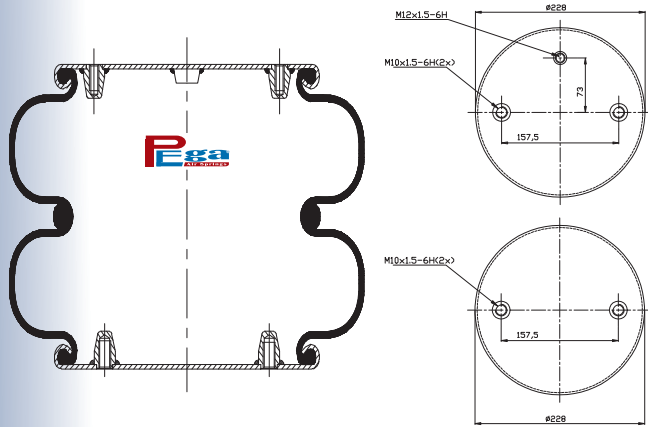
Cross References		OE Part No	
FIRESTONE	W01-358-7403	GRANNING	2725
GOOD YEAR	2B12-307	HENDRICKSON	NA 1860
TAURUS	KF222-7403		

P30.2303.P12



Cross References		OE Part No	
CONTITECH	FD 330-22 363		
FIRESTONE	W01 358 7180		
GOODYEAR	2B12-425		

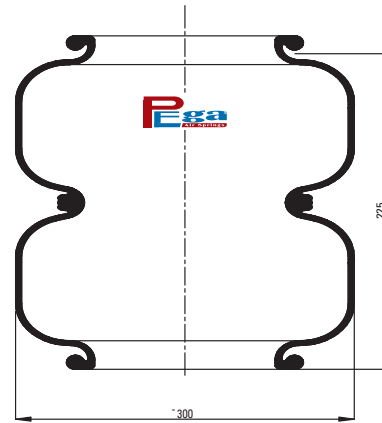
P30.2303.SAU



Cross References	

OE Part No	

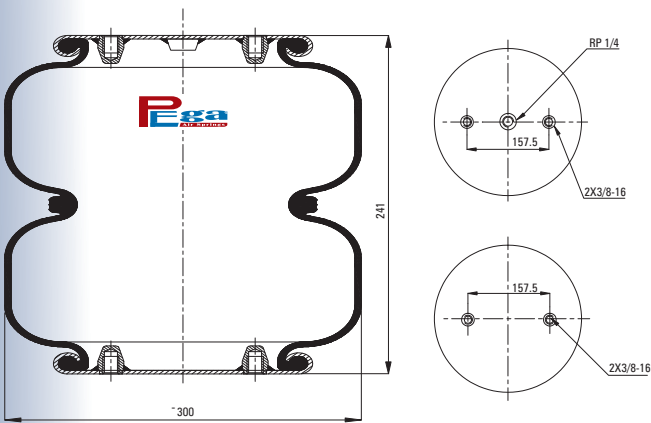
P30.2304.M01



Cross References	
FIRESTONE	W01-358-0259

OE Part No	
GRANNING	1218

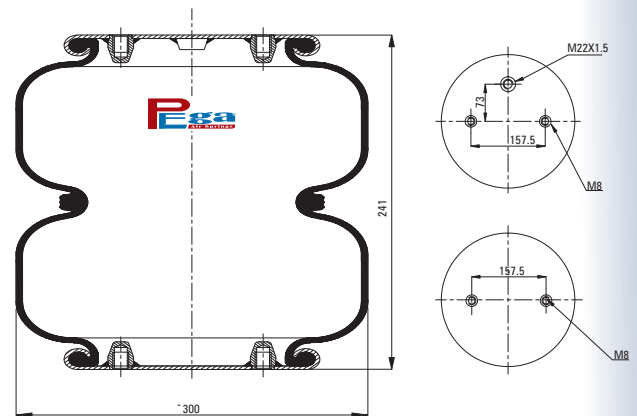
P30.2304.P01



Cross References	
DUNLOP	S 12280
FIRESTONE	W01-358-7443
GOOD YEAR	2B12-305

OE Part No	
GRANNING	1218

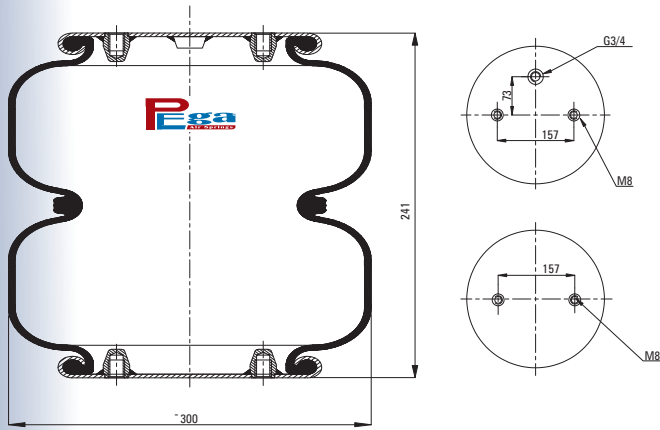
P30.2304.P02



Cross References	
FIRESTONE	22-1.5 T3 095.0258

OE Part No	

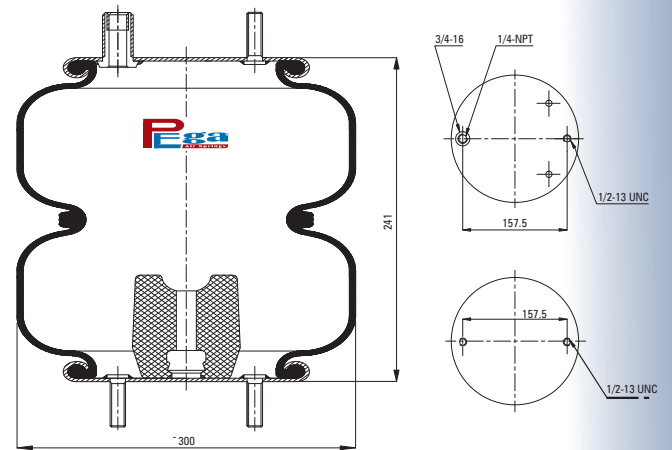
P30.2304.P03



Cross References

OE Part No

P30.2304.P04

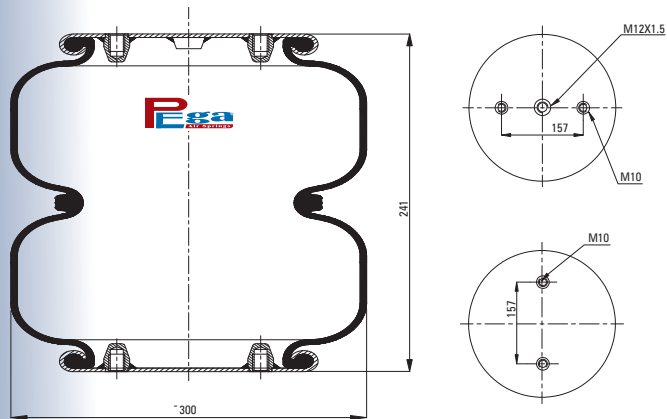


Cross References

OE Part No

FIRESTONE W01-358-7550 /7555
GOOD YEAR 2B12-440

P30.2304.P05

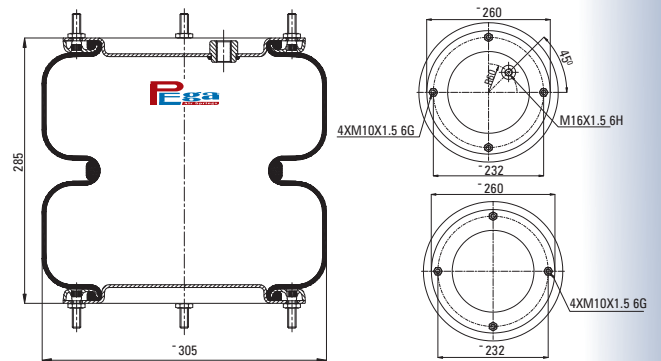


Cross References

OE Part No

FIRESTONE W01-M58-6875 MERITOR 21226068

P30.2305.F01

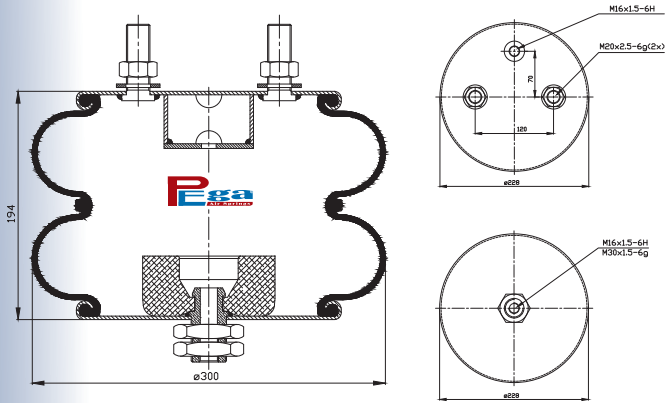


Cross References

OE Part No

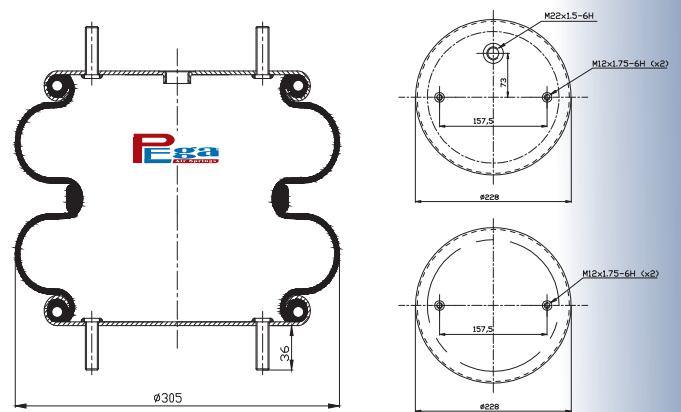
FIRESTONE W01-R58-4038 GT BENALU M078246
DUNLOP SP 2782 NB LOHR A06030622

P30.2306.P01



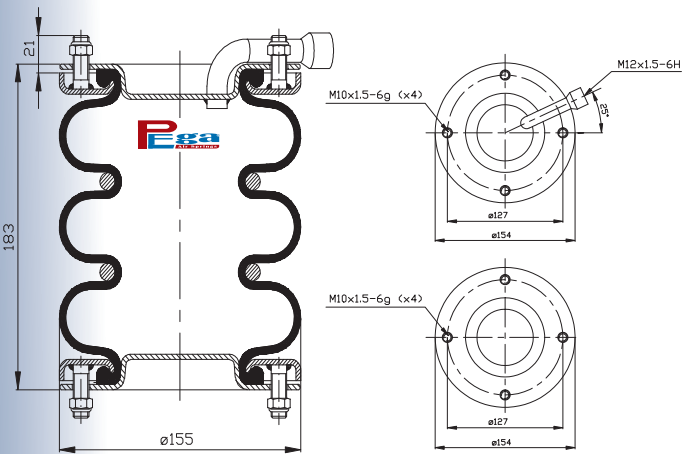
Cross References		OE Part No	
PHOENIX	SP2B22R-1	KASSBOHRER	4 731 045 100
CF GOMMA	T22B/ST200860C	KASSBOHRER	4 731 045 300

P30.2330.P22



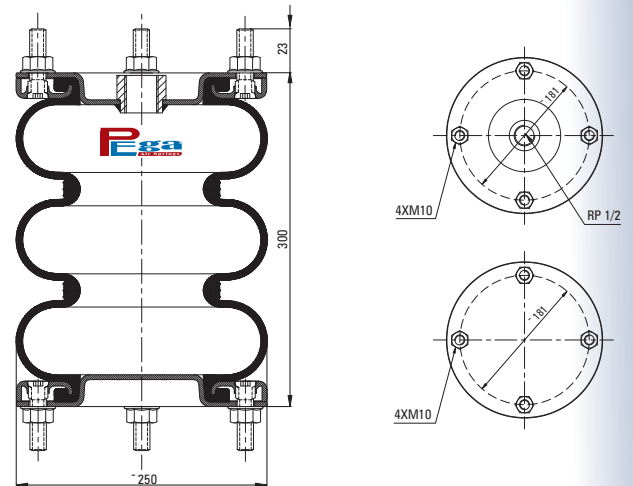
Cross References		OE Part No	
CONTITECH	FD 330-22 P05	SAF	2 229 1001 00

P30.3150.P01



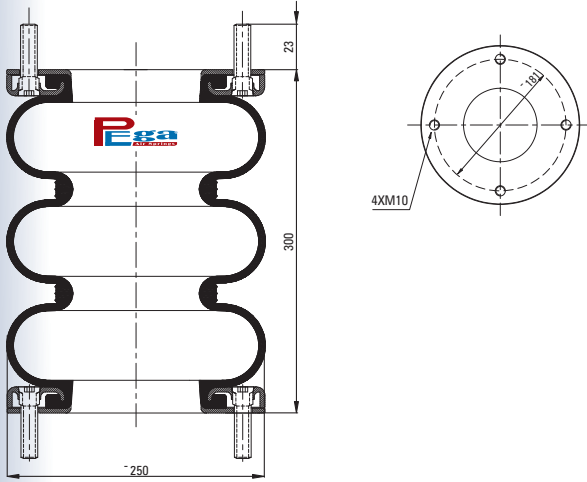
Cross References		OE Part No	
		SMB	09377006-6"x3

P30.3251.F01



Cross References		OE Part No	
CONTITECH	FT 210-32 1/2 M10	GRANNING	15809
DUNLOP	SP 1539 (10X3)	WEWELER	USN 5100 16D

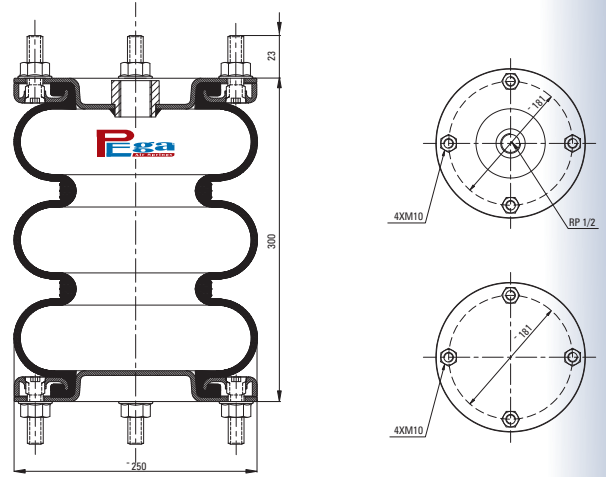
P30.3251.F02



Cross References	
CONTITECH	FT 210-32
DUNLOP	SP 1015 (10X3)

OE Part No	
GRANNING	15830

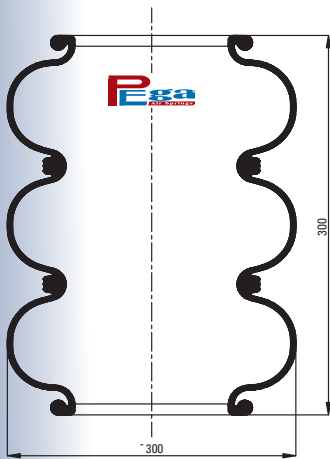
P30.3251.F03



Cross References

OE Part No

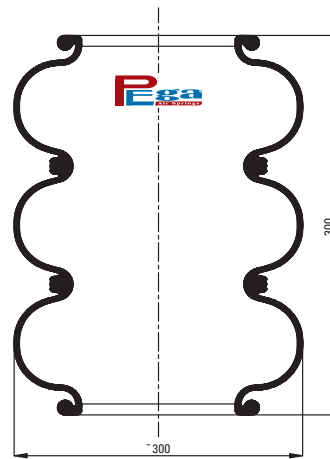
P30.3251.M01



Cross References

OE Part No

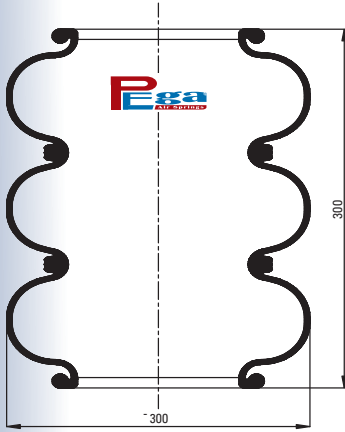
P30.3251.M01 (HYD)



Cross References

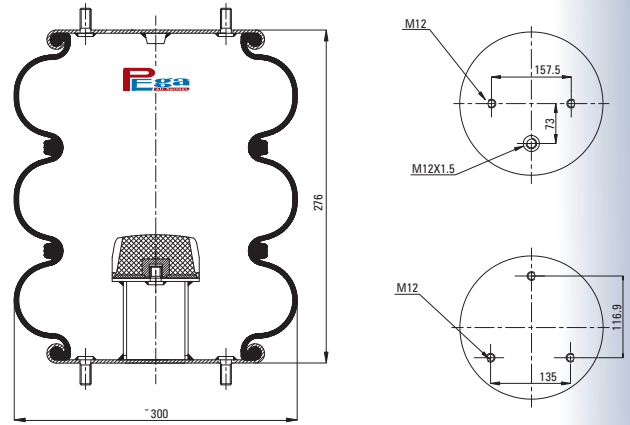
OE Part No

P30.3301.M01



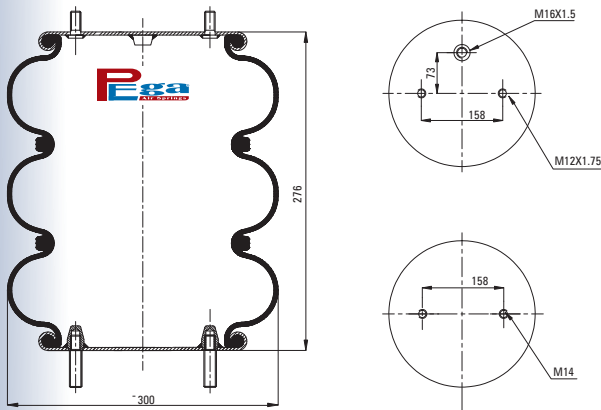
Cross References		OE Part No
CONTITECH	FT 330-29 S	
FIRESTONE	38	

P30.3301.P01



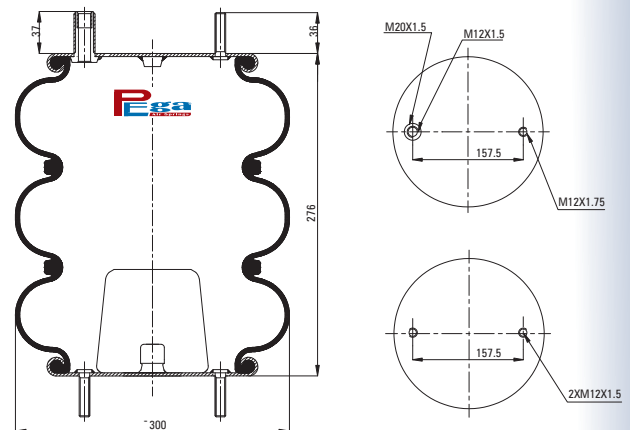
Cross References		OE Part No
CONTITECH	FT 330-29 P01	
GART	T271/S (271.3.296)	
GRANNING	17017	
SAF	3.228.1002.01	

P30.3301.P02



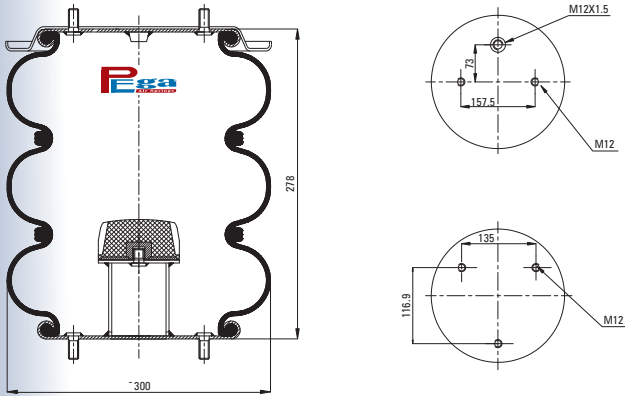
Cross References		OE Part No
DUNLOP	SP 12350	GRANNING 17040
PIRELLI	322 BB-93410	

P30.3301.P03



Cross References		OE Part No
DUNLOP	512302	GRANNING 15673
FIRESTONE	W01-M58-8017	

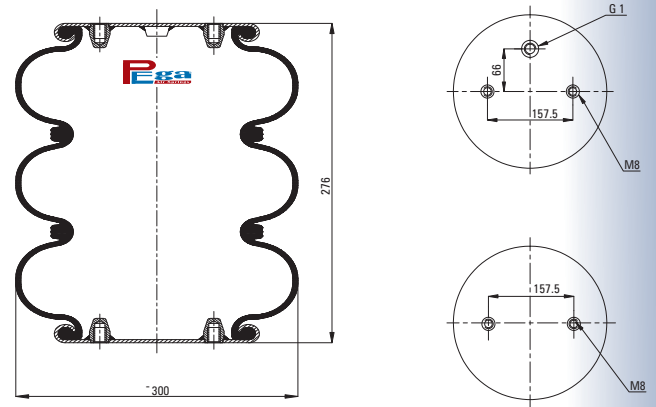
P30.3301.P04



Cross References

OE Part No

P30.3301.P05

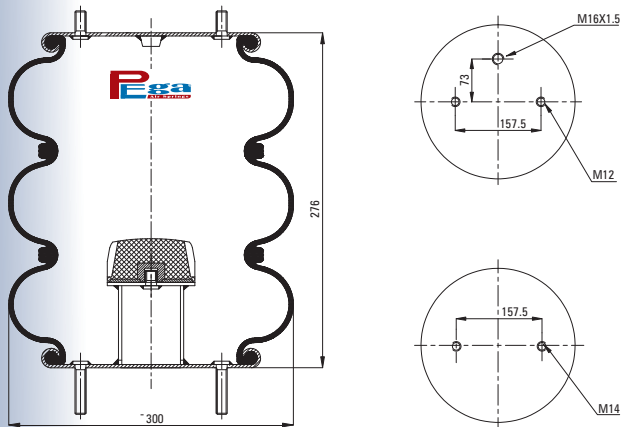


Cross References

OE Part No

CONTITECH FT 330-29

P30.3301.P06

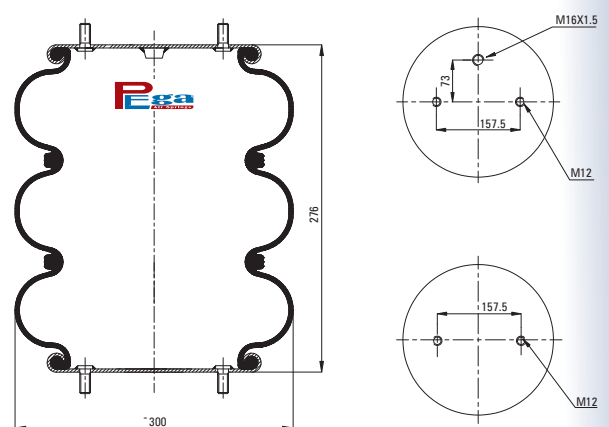


Cross References

OE Part No

PIRELLI 322 BB 204413 GART T271/S (271.3.298)

P30.3301.P07

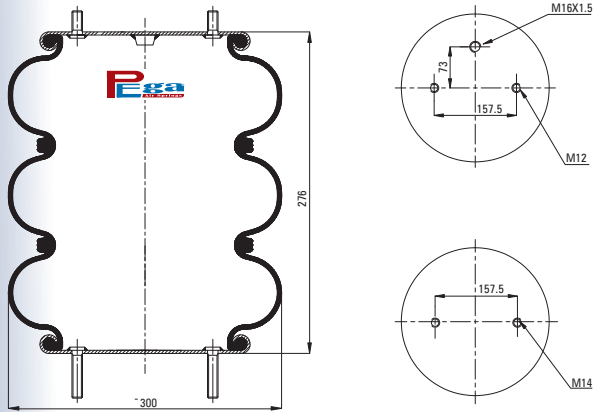


Cross References

OE Part No

PIRELLI 322 BB 204450 GART 271.3.298/2

P30.3301.P08

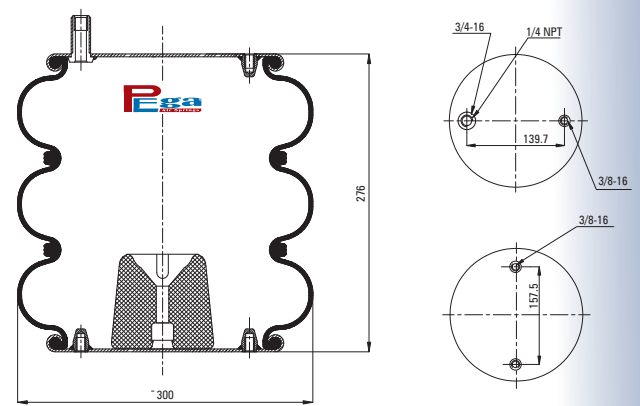


Cross References

PIRELLI 93410 322 BB

OE Part No

P30.3302.P01

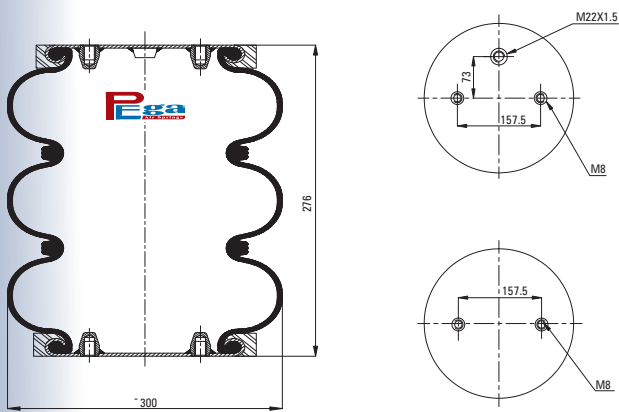


Cross References

FIRESTONE W01-358-8032

OE Part No

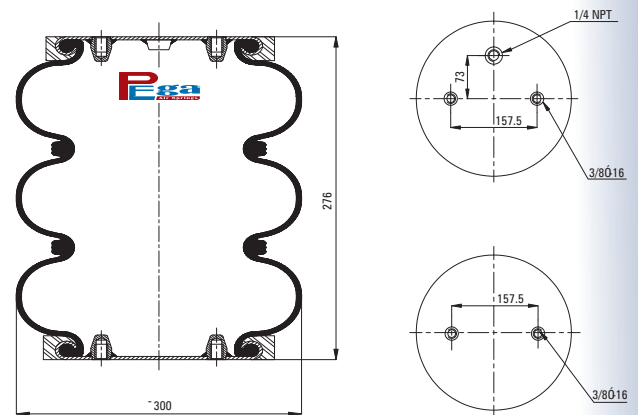
P30.3302.P02



Cross References

OE Part No

P30.3302.P03

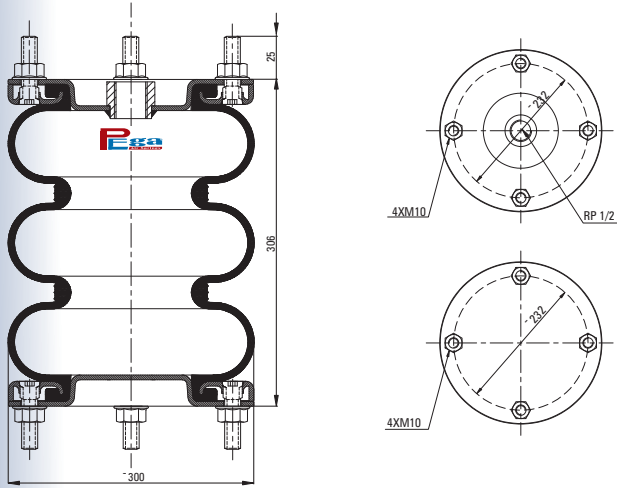


Cross References

FIRESTONE W01-358-8006
GOOD YEAR 3B12-304

OE Part No

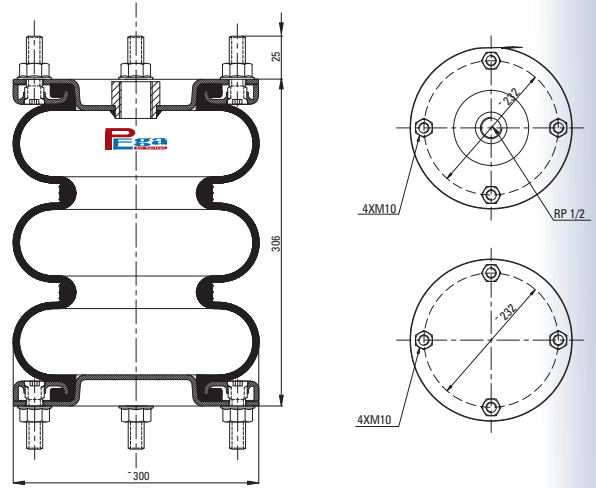
P30.3303.F01



Cross References	
CONTITECH	FT 412-32 1/2 M10
DUNLOP	SP 1542

OE Part No	
GIGANT	881204
GRANNING	15816

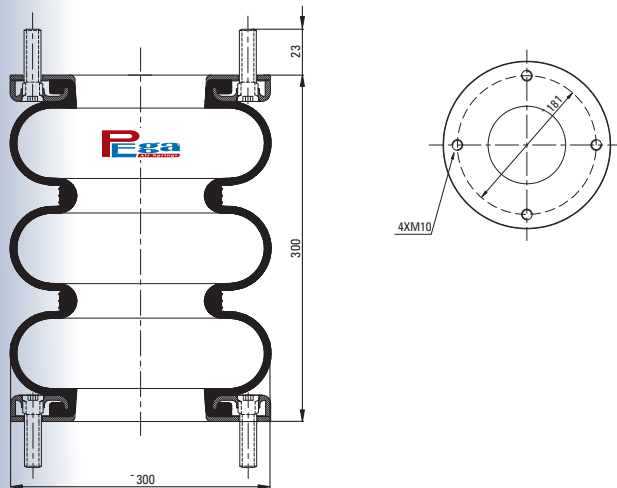
P30.3303.F02



Cross References	
CONTITECH	FT 412-32 S
DUNLOP	SP 2666

OE Part No	
FRUEHAUF	M 002 297
GRANNING	15897

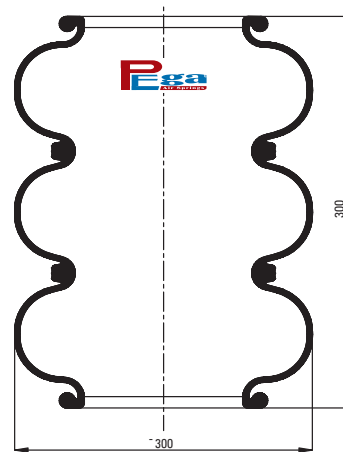
P30.3303.F03



Cross References	
CONTITECH	FT 412-32 S
DUNLOP	SP 1033 (12X3)

OE Part No	
------------	--

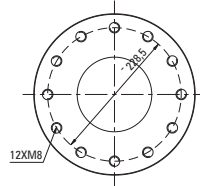
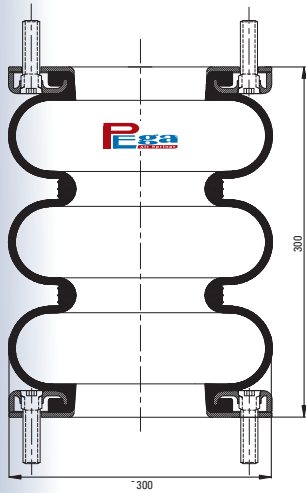
P30.3303.M01



Cross References	
CONTITECH	FT 412-325
DUNLOP	SP 159 (12X3)

OE Part No	
GRANNING	15818

P30.3304.F01

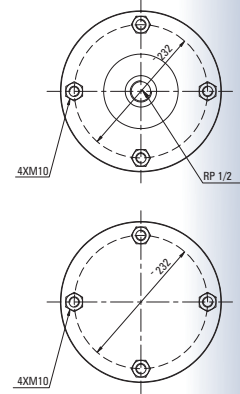
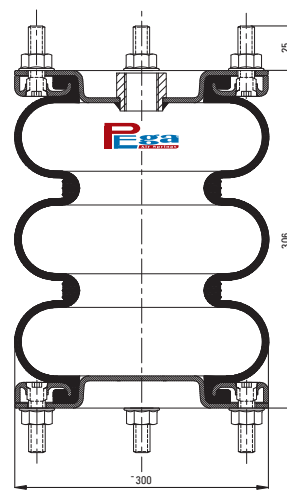


Cross References

CONTITECH FT 412-32 S
DUNLOP SP 2597 RE (12X3)

OE Part No

P30.3304.F02

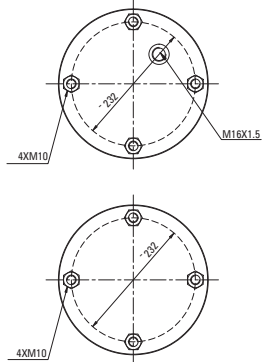
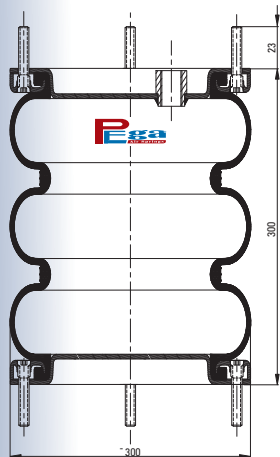


Cross References

CONTITECH FT 412-32 S
DUNLOP SP 1542 NB (12X3)

OE Part No

P30.3304.F03

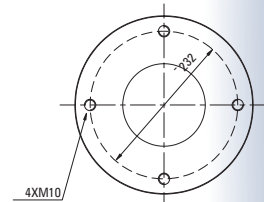
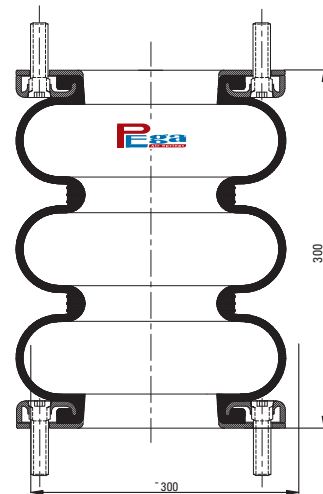


Cross References

CONTITECH FT 412-32 S
DUNLOP SP 2666 NB (12X3)

OE Part No

P30.3304.F04

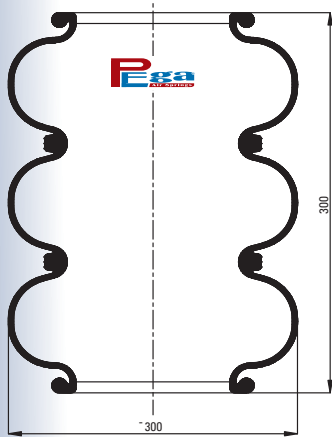


Cross References

CONTITECH FT 412-32 S
DUNLOP SP 2271 RE (12X3)

OE Part No

P30.3304.M01



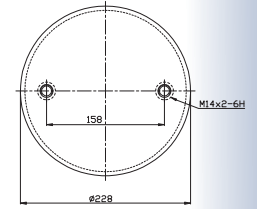
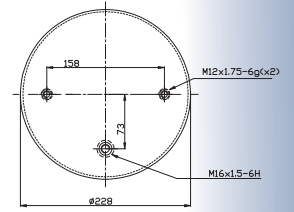
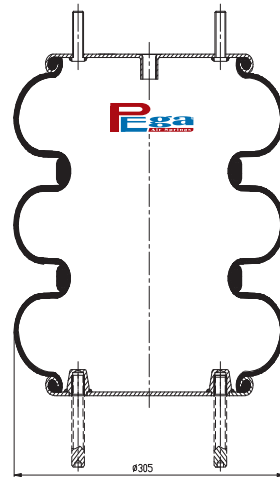
Cross References

CONTITECH	FT 412-32
DUNLOP	12X3 RE

OE Part No

GRANNING	15830
----------	-------

P30.3305.P02

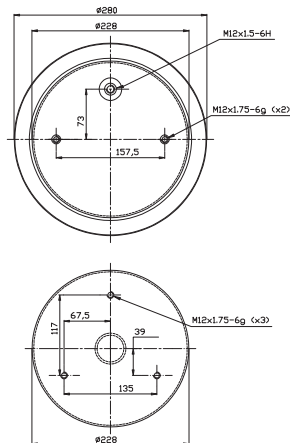
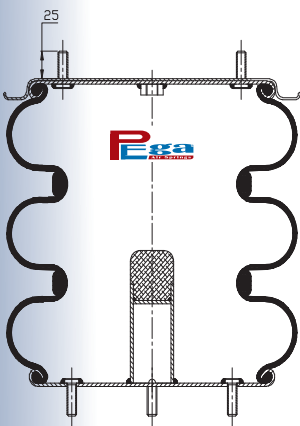


Cross References

DUNLOP	SP12350
PIRELLI	322BB-93410

OE Part No

P30.3305.P04



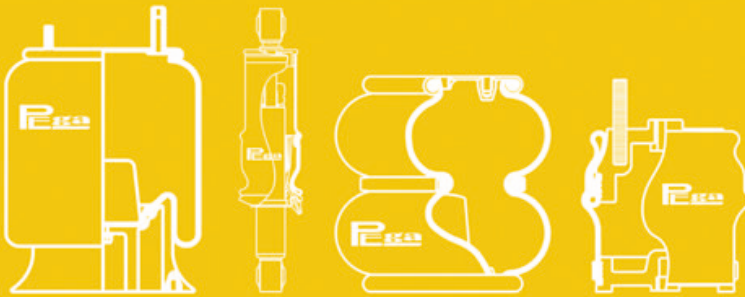
Cross References

CONTITECH	FT 330-29P01
-----------	--------------

OE Part No

Notes

www.pegaairstsprings.com



Dosab Yıldız Sk. #23 (16245)
Osmangazi/Bursa/TURKEY
Phone : +90 224 261 34 70
Fax : +90 224 261 34 79
info@pegaairstsprings.com

www.papirusgrafik.com