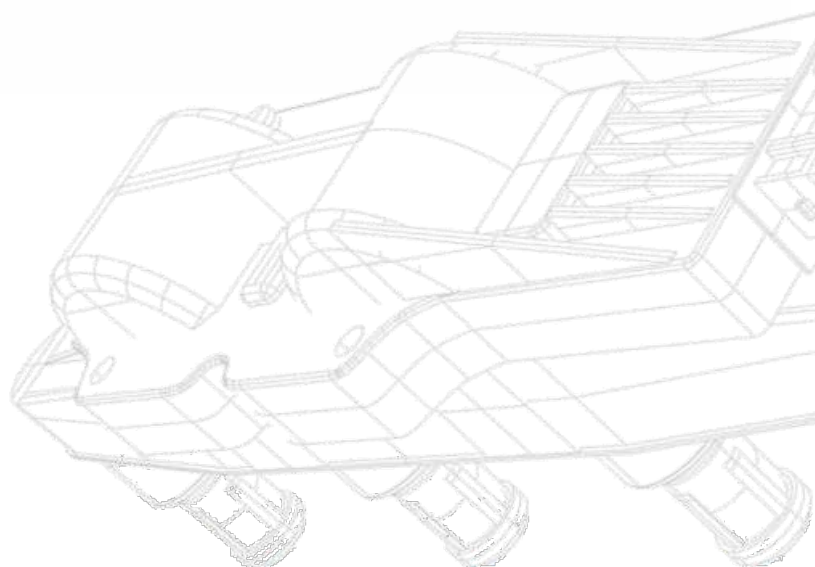




TESLA

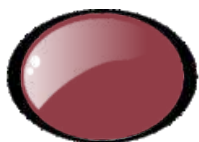
Ignition coils

Катушки зажигания
Zapalovací cívky



2013 / 2014

TESLA BLATNÁ, a.s.
Czech Republic



IGNITION
technology



2 - 3 Assortment of TESLA ignition coils
Ассортимент катушек зажигания TESLA
Sortiment zapalovacích cívek TESLA

5 - 125 **Application** of ignition coils - cars
Применение катушек зажигания - легковые автомобили
Použití zapalovacích cívek - osobní automobily

127 - 231 Ignition coils - **summary** incl. drawings
Катушки зажигания - перечень, фотографии
Zapalovací cívky - přehled s fotografiemi

232 - 241 Cross **references**
Таблицы сравнения
Srovnávací tabulky

Assortment of ignition coils
Ассортимент катушек зажигания
Sortiment zapalovacích cívek

Cylindric coils
Цилиндрические катушки
Válcové cívky

TESLA marking / *example of application*
Обозначение TESLA / *пример применения*
Typové označení TESLA / *příklad použití*



CL012
Skoda



CL 208
Saab

Single outlet coils
Одновыводные катушки
Jednovývodové cívky



CL228
Opel



CL500
*Honda
Rover*

Multi-outlet coils
Двух-, Четырехвыводные катушки
Vícevývodové cívky



CL102
Renault



CL615
BMW

Assortment of ignition coils
Ассортимент катушек зажигания
Sortiment zapalovacích cívek

Coil & module
Катушка и модуль зажигания
Zapalovací cívka a modul zapalování

TESLA marking / *example of application*
Обозначение TESLA / *пример применения*
Typové označení TESLA / *příklad použití*



CL019
Seat
VW



CL119
Volvo

Pencil coils
Прямые (туžkové) cívky
Индивидуальные катушки



CL405
Ford



CL510
Nissan

Rail coils
Блоки индивидуальных катушек
Zapalovací lišty



CL127
Citroen
Peugeot



CL610
Mercedes

Application of ignition coils - cars

Применение катушек зажигания - легковые автомобили

Použití zapalovacích cívek - osobní automobily

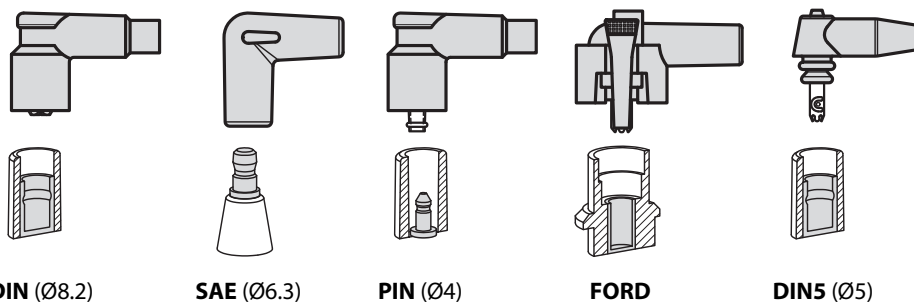
Acura	7	MG	65
Alfa Romeo	7	Mini	65
Audi	9	Mitsubishi	66
BMW	16	Nissan	68
Chevrolet	22	Opel	71
Chrysler	23	Peugeot	80
Citroen	23	Porsche	86
Dacia	28	Proton	86
Daewoo	29	Renault	86
Daihatsu	30	Rover	96
Fiat	30	Saab	97
Ford	35	Seat	99
Honda	42	Skoda	101
Hyundai	45	Smart	104
Infiniti	47	Ssang Yong	105
Jeep	47	Subaru	105
Kia	48	Suzuki	106
Lancia	49	Toyota	107
Landrover	51	VAZ	111
Lexus	51	Volvo	112
Mazda	52	VW	116
Mercedes	54		

Designations and abbreviations used
Использованные термины и сокращения
Použité názvy a zkratky

Application of ignition coils - cars
 Применение катушек зажигания - легковые автомобили
 Použití zapalovacích cívek - osobní automobily

CAR	MODEL	YEAR	kW	ccm	CYL	MOTOR	COILTYPE	PAGE	INFO
ALFA ROMEO									
146 (930)	1.4 i.e.	12'94 - 12'96	66	1351	4	AR 33501	CL300	174	DIN-2
	1.4 i.e. 16V T.S.	11'96 - 01'01	76	1370	4	AR 33503/AR 38501	CL305	176	pencil/PIN-1
							CL306	177	pencil/PIN-1
1.6 i.e.	12'94 - 12'96	76	1596	4	AR 33201	CL319	180	PIN-4	

- CAR** car / van make and model (body design)
 марка и модель автомобиля (тип кузова)
 značka a model osobního (užitkového) automobilu (typ karoserie)
- MODEL** model specification (engine capacity in l)
 тип модели - объём двигателя в литрах
 specifikace modelu (objem motoru v l) cat catalysator
 T.S. Twin Spark
- YEAR** year of production
 год производства
 rok výroby
- kW** engine power (kW)
 мощность двигателя (kW)
 výkon motoru (kW) 1kW = 1,359 HP (л.с.)
 1HP (л.с.) = 0,735kW
- ccm** engine capacity (cm³)
 объём двигателя (cm³)
 objem motoru (cm³)
- CYL** number of engine cylinders
 к-во цилиндров двигателя
 počet válců motoru
- MOTOR** type of engine
 тип двигателя
 typ motoru
- COIL TYPE** catalogue number of TESLA ignition coil
 заказной номер катушки зажигания TESLA
 objednáací číslo zapalovací cívky TESLA
- PAGE** page number with description of coil
 номер страницы с фотографией катушки
 číslo stránky s obrázkem cívky
- INFO** a) coil description
 описание катушки
 popis cívky
 pencil = pencil coil, индивидуальная катушка, tužková cívka
 rail = rail coil, блок индивидуальных катушек, zapalovací lišta
 cables = coil with ignition cables, катушка с проводами зажигания, cívka se zapalovacími kabely
- b) type and number of connection (DIN-4, SAE-2, ...)
 тип и к-во присоединений
 způsob a počet připojení



CAR	MODEL	YEAR	kW	ccm	CYL	MOTOR	COILTYPE	PAGE	INFO	
ACURA										
Integra CC	1.6	01.85 - 12.90	74	1590	4		CL500	188	DIN-1	
	1.6 i	01.85 - 12.90	88	1590	4		CL500	188	DIN-1	
Integra Coupe	1.6	01.85 - 12.90	74	1590	4		CL500	188	DIN-1	
	1.6 i	01.85 - 12.90	88	1590	4		CL500	188	DIN-1	
Integra Sedan	1.6	01.85 - 12.90	74	1590	4	D16A3	CL500	188	DIN-1	
	1.6 i	01.85 - 12.90	88	1590	4		CL500	188	DIN-1	
ALFA ROMEO										
33 (907A)	1.4 i.e.	06.91 - 09.94	65	1351	4	AR 30755/AR 30753	CL300	174	DIN-2	
	1.4 i.e.	06.91 - 09.94	66	1351	4	AR 30755/AR 30753	CL300	174	DIN-2	
	1.5 i.e.	01.90 - 09.94	71	1490	4	AR 30751	CL319	180	PIN-4	
33 Sportwagon (907B)	1.4 i.e.	06.91 - 09.94	65	1351	4	AR 30755	CL300	174	DIN-2	
	1.4 i.e.	06.91 - 09.94	66	1351	4	AR 30755	CL300	174	DIN-2	
	1.4 i.e. 4x4	06.91 - 09.94	66	1351	4	AR 30587/AR 30755	CL300	174	DIN-2	
	1.5 i.e.	01.90 - 09.94	71	1490	4	AR 30751	CL319	180	PIN-4	
	1.6 i.e.	06.91 - 09.94	76	1596	4	AR 33201	CL319	180	PIN-4	
145 (930)	1.4 i.e.	07.94 - 12.96	66	1351	4	AR 33501	CL300	174	DIN-2	
	1.4 i.e. 16VTS.	12.96 - 01.01	76	1370	4	AR 33503/AR 38501	CL305	176	pencil/PIN-1	
							CL306	177	pencil/PIN-1	
	1.6 i.e.	10.94 - 12.96	76	1596	4	AR 33201	CL319	180	PIN-4	
	1.6 i.e. 16VTS.	12.96 - 01.01	88	1598	4	AR 67601/AR 38201	CL305	176	pencil/PIN-1	
							CL306	177	pencil/PIN-1	
	1.7 i.e. 16V	10.94 - 12.96	95	1712	4	AR 33401	CL319	180	PIN-4	
	1.8 i.e. 16V	03.98 - 01.01	106	1747	4	AR 32201	CL305	176	pencil/PIN-1	
	1.8 i.e. 16VTS.	12.96 - 12.98	103	1747	4	AR 38401/AR 67106	CL306	177	pencil/PIN-1	
	2.0 16V Quadrifoglio	03.98 - 01.01	114	1970	4	AR 32301	CL305	176	pencil/PIN-1	
	2.0 16VTS.	10.95 - 01.01	110	1970	4	AR 67204	CL306	177	pencil/PIN-1	
146 (930)	1.4 i.e.	12.94 - 12.96	66	1351	4	AR 33501	CL300	174	DIN-2	
	1.4 i.e. 16VTS.	11.96 - 01.01	76	1370	4	AR 33503/AR 38501	CL305	176	pencil/PIN-1	
							CL306	177	pencil/PIN-1	
	1.6 i.e.	12.94 - 12.96	76	1596	4	AR 33201	CL319	180	PIN-4	
	1.6 i.e. 16VTS.	11.96 - 01.01	88	1598	4	AR 67601/AR 38201	CL305	176	pencil/PIN-1	
							CL306	177	pencil/PIN-1	
	1.7 i.e. 16V	12.94 - 12.96	95	1712	4	AR 33401	CL319	180	PIN-4	
	1.8 i.e. 16VTS.	11.96 - 01.01	103	1747	4	AR 38401/AR 67106	CL306	177	pencil/PIN-1	
	1.8 i.e. 16VTS.	03.98 - 01.01	106	1747	4	AR 32201	CL305	176	pencil/PIN-1	
	2.0 16V Quadrifoglio	03.98 - 01.01	114	1970	4	AR 32301	CL305	176	pencil/PIN-1	
	2.0 16VTS.	10.95 - 01.01	110	1970	4	AR 67204	CL306	177	pencil/PIN-1	
	147 (937)	1.6 16VTS.	01.01 -	88	1598	4	AR 32104	CL307	177	pencil/PIN-1
		1.6 16VTS. Eco	01.01 -	77	1598	4	AR 37203	CL307	177	pencil/PIN-1
2.0 16VTS.		01.01 -	110	1970	4	AR 32310	CL307	177	pencil/PIN-1	
3.2 GTA		02.03 -	184	3179	6	932 A.000	CL320	181	pencil	
155 (167)	1.6 16VTS.	05.96 - 12.97	88	1598	4	AR 67601	CL306	177	pencil/PIN-1	
	1.7TS.	04.93 - 04.96	83	1748	4	AR 67103	CL302	175	PIN-4	
	1.7TS.	04.93 - 04.96	85	1748	4	AR 67105	CL302	175	PIN-4	
	1.7TS. 16V	05.96 - 12.97	103	1747	4	AR 67106	CL306	177	pencil/PIN-1	
	1.8TS.	02.92 - 12.97	77	1756	4	AR 67402	CL302	175	PIN-4	
	1.8TS.	02.92 - 06.93	95	1773	4	AR 67101	CL302	175	PIN-4	
	1.8TS. Sport	01.92 - 12.96	93	1773	4	AR 67101/AR 67102	CL302	175	PIN-4	
	2.0 16V Turbo Q4	01.92 - 12.97	137	1995	4	AR 67203	CL300	174	DIN-2	
	2.0 16V Turbo Q4	01.92 - 12.97	140	1995	4	AR 67203	CL300	174	DIN-2	
	2.0TS.	02.92 - 02.95	104	1995	4	AR 67202	CL302	175	PIN-4	
	2.0TS.	02.92 - 04.93	106	1995	4	AR 67201	CL302	175	PIN-4	
	2.0TS. 16V	03.95 - 12.97	110	1970	4	AR 67204	CL306	177	pencil/PIN-1	
	156 (932)	1.6 16VTS.	09.97 - 09.05	88	1598	4	AR 32102/AR 32103/AR 32104/AR 67601	CL306	177	pencil/PIN-1
							CL307	177	pencil/PIN-1	
1.8 16VTS.		09.97 - 10.00	106	1747	4	AR 32201	CL305	176	pencil/PIN-1	
1.8 16VTS.		10.00 - 09.05	103	1747	4	AR 32205	CL307	177	pencil/PIN-1	
2.0 16VTS.		09.97 - 10.00	114	1970	4	AR 32301	CL305	176	pencil/PIN-1	
2.0 16VTS.		10.00 - 03.02	110	1970	4	AR 32310	CL307	177	pencil/PIN-1	
2.0 JTS		03.02 - 09.05	122	1970	4	937 A1.000	CL321	181	pencil	
2.5 V6 24V		09.97 - 12.01	140	2492	6	AR 32401/AR 32402	CL320	181	pencil	

CAR	MODEL	YEAR	kW	ccm	CYL	MOTOR	COILTYPE	PAGE	INFO
ALFA ROMEO									
156 (932)	2.5 V6 24V	10.00 - 09.05	141	2492	6	AR 32405	CL320	181	pencil
	3.2 GTA	03.02 - 09.05	184	3179	6	932 A.000	CL320	181	pencil
156 Sportwagon (932)	1.6 16V T.S..	05.00 - 05.06	88	1598	4	AR 32102/AR 32103/AR 32104/AR 67601	CL306	177	pencil/PIN-1
							CL307	177	pencil/PIN-1
	1.8 16V T.S.	10.00 - 05.06	103	1747	4	AR 32205	CL307	177	pencil/PIN-1
	1.8 16V T.S.	05.00 - 10.00	106	1747	4	AR 32201	CL307	177	pencil/PIN-1
	2.0 16V T.S.	10.00 - 03.02	110	1970	4	AR 32310	CL307	177	pencil/PIN-1
	2.0 16V T.S.	05.00 - 10.00	114	1970	4	AR 32301	CL307	177	pencil/PIN-1
	2.0 JTS	03.02 - 05.06	122	1970	4	937 A1.000	CL321	181	pencil
	2.5 V6 24V	05.00 - 10.00	140	2492	6	AR 32401	CL320	181	pencil
	2.5 V6 24V	10.00 - 05.06	141	2492	6	AR 32405	CL320	181	pencil
	3.2 GTA	03.02 - 05.06	184	3179	6	932 A.000	CL320	181	pencil
159	1.8 MPI	03.07 -	103	1796	4	939 A4.000	CL221	171	rail
	1.8 TBi	05.09 -	147	1742	4	939 B1.000	CL221	171	rail
	1.9 JTS	09.05 -	118	1859	4	939 A6.000	CL321	181	pencil
	2.2 JTS	09.05 -	136	2198	4	939 A5.000	CL226	173	rail
159 Sportwagon	1.8 MPI	03.07 -	103	1796	4	939 A4.000	CL221	171	rail
	1.8 TBi	05.09 -	147	1742	4	939 B1.000	CL221	171	rail
	1.9 JTS	03.06 -	118	1859	4	939 A6.000	CL321	181	pencil
	2.2 JTS	03.06 -	136	2198	4	939 A5.000	CL226	173	rail
164 (164)	2.0 T.S.	06.87 - 12.90	109	1995	4	AR 06420	CL302	175	PIN-4
	2.0 T.S.	09.92 - 09.98	106	1995	4	AR 64103	CL302	175	PIN-4
	3.0	02.88 - 10.92	147	2959	6		CL320	181	pencil
	3.0	04.93 - 02.95	168	2959	6	AR 64304	CL320	181	pencil
	3.0	03.95 - 10.97	154	2959	6	AR 66302	CL320	181	pencil
	3.0 Allrad	11.92 - 10.97	171	2959	6		CL320	181	pencil
	3.0 24V	09.92 - 09.98	155	2959	6	AR 66301/AR 66302	CL320	181	pencil
	3.0 24V Q4	02.94 - 09.98	170	2959	6	AR 64308/AR 64307	CL320	181	pencil
	3.0 24V QV	09.92 - 09.98	171	2959	6	AR 64304	CL320	181	pencil
	166 (936)	2.0 T.S.	09.98 - 10.00	114	1970	4	AR 34103	CL305	176
2.0 T.S.		10.00 -	110	1970	4	AR 36301	CL307	177	pencil/PIN-1
2.5 V6 24V		09.98 - 10.00	140	2492	6	AR 34201	CL320	181	pencil
2.5 V6 24V		10.00 -	138	2492	6	AR 36201	CL320	181	pencil
3.0 V6 24V		09.98 - 10.00	166	2959	6	AR 34301	CL320	181	pencil
3.0 V6 24V		10.00 -	162	2959	6	AR 36101	CL320	181	pencil
3.2 V6 24V		10.03 -	176	3179	6	936 A.000	CL320	181	pencil
Brera		2.2 JTS	01.06 -	136	2198	4	939 A5.000	CL226	173
Giulietta (940)	1.4 TB	04.10 -	88	1368	4	198 A4.000	CL323	181	pencil
GT	1.8 TS	11.03 -	103	1747	4	AR 32205	CL307	177	pencil/PIN-1
	2.0 JTS	11.03 -	121	1970	4	932 A2.000/937 A1.000	CL321	181	pencil
	3.2 GTA	11.03 -	176	3179	6	936 A.000	CL320	181	pencil
GTV (916C_)	1.8 16V	05.98 -	106	1747	4	AR 32201	CL305	176	pencil/PIN-1
	2.0 JTS	04.03 -	121	1970	4	937 A1.000	CL321	181	pencil
	2.0 T.S. 16V	06.95 -	110	1970	4	AR 16201/AR 32310	CL305	176	pencil/PIN-1
	2.0 T.S. 16V	05.98 - 08.00	114	1970	4	AR 32301	CL305	176	pencil/PIN-1
	3.0 V6 24V	10.96 - 10.00	162	2959	6	AR 16102	CL320	181	pencil
	3.0 V6 24V	10.00 -	160	2959	6	AR 16105	CL320	181	pencil
	3.2 V6 24V	04.03 -	176	3179	6	936 A6.000	CL320	181	pencil
Mito (955)	1.4	09.08 -	70	1368	4	199 A6.000	CL310	178	pencil
	1.4	09.08 -	88	1368	4	198 A4.000	CL323	181	pencil
	1.4	08.10 -	77	1368	4	955 A6.000	CL324	181	pencil
	1.4 TB	09.08 -	114	1368	4	199 A8.000	CL323	181	pencil
Spider (916S_)	1.8 16V	05.98 - 04.05	106	1747	4	AR 32201	CL305	176	pencil/PIN-1
	2.0 JTS	04.03 - 04.05	121	1970	4	937 A1.000	CL321	181	pencil
	2.0 T.S. 16V	06.95 - 04.05	110	1970	4	AR 16201/AR 32310	CL305	176	pencil/PIN-1
							CL306	177	pencil/PIN-1
							CL307	177	pencil/PIN-1
	2.0 T.S. 16V	05.98 - 08.00	114	1970	4	AR 32301	CL305	176	pencil/PIN-1
	3.0 V6	10.00 - 04.05	160	2959	6	AR 16105	CL320	181	pencil
3.2 V6 24V	04.03 - 04.05	176	3179	6	936 A6.000	CL320	181	pencil	

CAR	MODEL	YEAR	kW	ccm	CYL	MOTOR	COILTYPE	PAGE	INFO
ALFA ROMEO									
Spider (939)	2.2 JTS	09.06 -	136	2198	4	939 A5.000	CL226	173	rail
AUDI									
80 (8C, B4)	1.6	09.91 - 12.94	52	1595	4	ABM	CL001	129	PIN-1
	2.0	09.91 - 12.94	66	1984	4	ABT	CL001	129	PIN-1
	2.0 E	09.91 - 12.94	85	1984	4	ABK	CL001	129	PIN-1
	2.6	07.92 - 12.94	110	2598	6	ABC	CL006	135	PIN-6
	2.6 quattro	06.92 - 12.94	110	2598	6	ABC	CL006	135	PIN-6
	2.8	09.91 - 12.94	128	2771	6	AAH	CL006	135	PIN-6
	2.8 quattro	09.91 - 12.94	128	2771	6	AAH	CL006	135	PIN-6
80 Avant (8C, B4)	2.0	07.92 - 01.96	66	1984	4	ABT	CL001	129	PIN-1
	2.0 E	07.92 - 01.96	85	1984	4	ABK	CL001	129	PIN-1
							CL019	141	PIN-1
	2.6	07.92 - 01.96	110	2598	6	ABC	CL006	135	PIN-6
	2.6 quattro	07.92 - 07.95	110	2598	6	ABC	CL006	135	PIN-6
	2.8	09.91 - 01.96	128	2771	6	AAH	CL006	135	PIN-6
	2.8 quattro	08.92 - 07.95	128	2771	6	AAH	CL006	135	PIN-6
100 (4A, C4)	2.0	12.90 - 06.94	74	1984	4	AAE	CL001	129	PIN-1
100 Avant (4A, C4)	2.0 E	09.91 - 06.94	74	1984	4	AAE	CL001	129	PIN-1
A1 (8X1)	1.2 TFSI	05.10 -	63	1197	4	CBZA	CL002	130	PIN-4
	1.4 TFSI	05.10 -	90	1390	4	CNVA/CAXA	CL003	132	pencil
A2 (8Z0)	1.4	02.00 - 08.05	55	1390	4	AUA	CL002	130	PIN-4
	1.4	02.00 - 08.05	55	1390	4	BBY	CL003	132	pencil
	1.6 FSI	05.02 - 08.05	81	1598	4	BAD	CL003	132	pencil
A3 (8L1)	1.6	09.96 - 08.00	74	1595	4	AKL/APF/AEH	CL002	130	PIN-4
	1.6	08.00 -	75	1595	4	AVU/BFQ	CL002	130	PIN-4
	1.8	09.96 -	92	1781	4	AGN/APG	CL002	130	PIN-4
	1.8 T	12.96 -	110	1781	4	ARZ/AQA/AGU/AUM	CL014	139	pencil
	1.8 T	12.98 -	132	1781	4	AJQ/APP	CL005	134	pencil
	1.8 T	12.98 -	132	1781	4	ARY/AUQ	CL014	139	pencil
	1.8 T quattro	12.96 -	110	1781	4	AGU	CL004	134	pencil
	1.8 T quattro	12.96 - 07.98	110	1781	4	ARX	CL005	134	pencil
	1.8 T quattro	08.98 - 04.01	110	1781	4	AQA	CL014	139	pencil
	1.8 T quattro	10.98 -	132	1781	4	AJQ/ARY	CL014	139	pencil
	S3 1.8 quattro	03.99 -	154	1781	4	AMK/APY	CL005	134	pencil
	S3 1.8 quattro	10.01 -	165	1781	4	BAM	CL005	134	pencil
A3 (8P1)	1.2 TSI	04.10 -	77	1197	4	CBZB	CL002	130	PIN-4
	1.4 TFSI	09.07 -	92	1390	4	CMSA/CAXC	CL003	132	pencil
	1.6	05.03 -	75	1595	4	BGU/CCSA/BSF/CMXA/BSE	CL002	130	PIN-4
	1.6 FSI	08.03 -	85	1598	4	BLF/BLP/BAG	CL003	132	pencil
	1.8 TFSI	11.06 -	118	1798	4	BZB/CDAA/BYT	CL011	137	pencil
	1.8 TFSI quattro	07.08 -	118	1798	4	CDAA	CL011	137	pencil
	2.0 FSI	05.03 -	110	1984	4	BLX/BLY/BMB/BLR/AXW/BVZ/BVY	CL011	137	pencil
	2.0 TFSI	09.04 -	147	1984	4	BWA/AXX/CAWB	CL011	137	pencil
	2.0 TFSI quattro	09.04 -	147	1984	4	BWA/AXX	CL011	137	pencil
	3.2 V6 quattro	07.03 -	184	3189	6	BDB/BMJ/BUB	CL016	140	pencil
	S3 2.0 quattro	11.06 -	195	1984	4	BHZ/CDLA	CL011	137	pencil
A3 Cabriolet	1.2 TFSI	03.10 -	77	1197	4	CBZB	CL002	130	PIN-4
	1.6	09.08 -	75	1595	4	BSE	CL002	130	PIN-4
	1.8 TFSI	04.08 -	118	1798	4	BZB/CDAA	CL011	137	pencil
	2.0 TFSI	04.08 -	147	1984	4	CCZA/CAWB	CL011	137	pencil
A3 Sportback (8PA)	1.2 TSI	04.10 -	77	1197	4	CBZB	CL002	130	PIN-4
	1.4 TFSI	09.07 -	92	1390	4	CMSA/CAXC	CL003	132	pencil
	1.6	09.04 -	75	1595	4	BGU/CCSA/BSF/CMXA/BSE	CL002	130	PIN-4
	1.6 FSI	09.04 -	85	1598	4	BLF/BLP	CL003	132	pencil
	1.8 TFSI	11.06 -	118	1798	4	BZB/CDAA/BYT	CL011	137	pencil
	1.8 TFSI quattro	07.08 -	118	1798	4	CDAA	CL011	137	pencil
	2.0 FSI	09.04 -	110	1984	4	BLX/BLY/BMB/BLR/BVZ/BVY	CL011	137	pencil
	2.0 TFSI	09.04 -	147	1984	4	BWA/AXX/CAWB	CL011	137	pencil
	2.0 TFSI quattro	09.04 -	147	1984	4	BWA/AXX	CL011	137	pencil
	3.2 V6 quattro	09.04 -	184	3189	6	BMJ/BUB	CL016	140	pencil

CAR	MODEL	YEAR	kW	ccm	CYL	MOTOR	COILTYPE	PAGE	INFO	
AUDI										
A3 Sportback (8PA)	S3 2.0 quattro	07.08 -	188	1984	4	CDLC	CL011	137	pencil	
	S3 2.0 quattro	06.08 -	195	1984	4	BHZ/CDLA	CL011	137	pencil	
A4 (8D2, B5)	1.6	11.94 - 10.00	74	1595	4	AHL/ADP/ARM/ANA	CL002	130	PIN-4	
	1.6	07.00 - 11.00	75	1595	4	ALZ	CL002	130	PIN-4	
	1.8	01.95 - 11.00	92	1781	4	AVV/ADR/APT/ARG	CL028	143	PIN-2	
	1.8 quattro	01.95 - 11.00	92	1781	4	ADR/APT/ARG	CL028	143	PIN-2	
	1.8T	01.95 - 11.00	110	1781	4	ARK/AEB/ANB/APU	CL004	134	pencil	
	1.8T	01.95 - 11.00	110	1781	4	AWT	CL005	134	pencil	
	1.8T	12.97 - 11.00	132	1781	4	AJL	CL004	134	pencil	
	1.8T quattro	01.95 - 11.00	110	1781	4	ARK/AEB/ANB/APU	CL004	134	pencil	
	1.8T quattro	01.95 - 11.00	110	1781	4	AWT	CL005	134	pencil	
	1.8T quattro	12.97 - 11.00	132	1781	4	AJL	CL004	134	pencil	
	2.4	08.97 - 11.00	120	2393	6	AMM/APZ/AJG	CL006	135	PIN-6	
	2.4	03.97 - 11.00	121	2393	6	AML/ARJ/ALF/AGA/APS	CL006	135	PIN-6	
	2.4 quattro	08.97 - 11.00	120	2393	6	APZ	CL006	135	PIN-6	
	2.4 quattro	03.97 - 11.00	121	2393	6	AML/ARJ/ALF/AGA/APS	CL006	135	PIN-6	
	2.6	01.95 - 07.98	110	2598	6	ABC	CL006	135	PIN-6	
	2.6	01.95 - 11.00	110	2598	6	ABC	CL026	143	PIN-6	
	2.6 quattro	01.95 - 07.98	110	2598	6	ABC	CL006	135	PIN-6	
	2.6 quattro	01.95 - 11.00	110	2598	6	ABC	CL026	143	PIN-6	
	2.8	09.95 - 07.97	128	2771	6	AAH	CL026	143	PIN-6	
	2.8 quattro	01.95 - 07.97	128	2771	6	AAH	CL026	143	PIN-6	
2.8	10.96 - 11.00	142	2771	6	APR/ACK/ALG/AQD/AMX	CL006	135	PIN-6		
2.8 quattro	10.96 - 11.00	142	2771	6	APR/ACK/ALG/AQD/AMX	CL006	135	PIN-6		
S4 2.7 quattro	09.97 - 11.00	195	2671	6	AGB/AZB	CL004	134	pencil		
A4 (8E2, B6)	1.6	11.00 - 12.04	75	1595	4	ALZ	CL002	130	PIN-4	
	1.8T	11.00 - 07.02	110	1781	4	AVJ	CL005	134	pencil	
	1.8T	07.02 - 12.04	120	1781	4	BFB/BKB	CL005	134	pencil	
	1.8T	11.02 - 12.04	140	1781	4	BEX	CL005	134	pencil	
	1.8T quattro	11.00 - 07.02	110	1781	4	AVJ	CL005	134	pencil	
	1.8T quattro	07.02 - 12.04	120	1781	4	BFB	CL005	134	pencil	
	1.8T quattro	11.02 - 12.04	140	1781	4	BEX	CL005	134	pencil	
	2.0	11.00 - 12.04	96	1984	4	ALT	CL015	139	pencil	
	2.0 FSI	07.02 - 12.04	110	1984	4	AWA	CL015	139	pencil	
	2.4	09.01 - 12.04	120	2393	6	AMM	CL006	135	PIN-6	
	2.4	09.01 - 12.04	125	2393	6	BDV	CL006	135	PIN-6	
	3.0	11.00 - 12.04	162	2976	6	ASN/AVK	CL015	139	pencil	
	3.0 quattro	11.00 - 12.04	162	2976	6	ASN/AVK	CL015	139	pencil	
	S4 4.2 quattro	03.03 - 12.04	253	4163	8	BBK	CL029	143	pencil	
	A4 (8EC, B7)	1.6	11.04 - 06.08	75	1595	4	ALZ	CL002	130	PIN-4
		1.8T	11.04 - 06.08	120	1781	4	BFB	CL005	134	pencil
1.8T quattro		11.04 - 06.08	120	1781	4	BFB	CL005	134	pencil	
2.0		11.04 - 06.08	96	1984	4	ALT	CL005	134	pencil	
2.0 TFSI		11.04 - 06.08	147	1984	4	BGB/BWE	CL011	137	pencil	
2.0 TFSI		06.05 - 06.08	162	1984	4	BUL	CL011	137	pencil	
2.0 TFSI		10.06 - 06.08	125	1984	4	BPJ/BYK	CL011	137	pencil	
2.0 TFSI quattro		11.04 - 06.08	147	1984	4	BGB/BWE	CL011	137	pencil	
2.0 TFSI quattro		06.05 - 06.08	162	1984	4	BUL	CL011	137	pencil	
3.2 FSI		01.05 - 06.08	188	3123	6	AUK	CL015	139	pencil	
3.2 FSI quattro		01.05 - 06.08	188	3123	6	AUK/BKH	CL015	139	pencil	
RS4 4.2 quattro		09.05 - 06.08	309	4163	8	BNS	CL011	137	pencil	
S4 4.2 quattro		11.04 - 06.08	253	4163	8	BHF/BBK	CL029	143	pencil	
A4 (8K2, B8)		1.8 TFSI	01.08 -	88	1798	4	CABA/CDHA	CL011	137	pencil
	1.8 TFSI	11.07 -	118	1798	4	CDHB/CCUA/CABB	CL011	137	pencil	
	1.8 TFSI quattro	09.08 -	118	1798	4	CDHB	CL011	137	pencil	
	2.0 TFSI	06.08 -	132	1984	4	CDNB/CAEA/CDZA	CL011	137	pencil	
	2.0 TFSI	06.08 -	155	1984	4	CDNC/CADA	CL011	137	pencil	
	2.0 TFSI flexible fuel	11.09 -	132	1984	4	CFKA	CL011	137	pencil	
	2.0 TFSI flex. fuel quattro	11.09 -	132	1984	4	CFKA	CL011	137	pencil	
	2.0 TFSI quattro	06.08 -	155	1984	4	CAEB/CDNC	CL011	137	pencil	

CAR	MODEL	YEAR	kW	ccm	CYL	MOTOR	COILTYPE	PAGE	INFO
AUDI									
A4 Allroad (8KH, B8)	2.0 TFSI quattro	04.09 -	155	1984	4	CDNC	CL011	137	pencil
A4 Avant (8D5, B5)	1.6	11.94 - 09.01	74	1595	4	AHL/ADP/ARM/ANA	CL002	130	PIN-4
	1.6	07.00 - 09.01	75	1595	4	ALZ	CL002	130	PIN-4
	1.8	02.96 - 09.01	92	1781	4	AVV/ADR/APT/ARG	CL028	143	PIN-2
	1.8 quattro	01.96 - 09.01	92	1781	4	ADR/APT/ARG	CL028	143	PIN-2
	1.8T	03.96 - 09.01	110	1781	4	ARK/AEB/ANB/APU	CL004	134	pencil
	1.8T	03.96 - 09.01	110	1781	4	AWT	CL005	134	pencil
	1.8T	12.97 - 09.01	132	1781	4	AJL	CL004	134	pencil
	1.8T quattro	01.96 - 09.01	110	1781	4	ARK/AEB/ANB/APU	CL004	134	pencil
	1.8T quattro	12.97 - 09.01	132	1781	4	AJL	CL004	134	pencil
	1.8T quattro	01.96 - 09.01	110	1781	4	AWT	CL005	134	pencil
	2.4	03.97 - 09.01	121	2393	6	AML/ARJ/ALF/AGA/APS	CL006	135	PIN-6
	2.4	08.97 - 09.01	120	2393	6	AMM/APZ/AJG	CL006	135	PIN-6
	2.4 quattro	03.97 - 09.01	121	2393	6	AML/ARJ/ALF/AGA/APS	CL006	135	PIN-6
	2.4 quattro	08.97 - 09.01	120	2393	6	APZ	CL006	135	PIN-6
	2.6	02.96 - 07.98	110	2598	6	ABC	CL006	135	PIN-6
	2.6	02.96 - 09.01	110	2598	6	ABC	CL026	143	PIN-6
	2.6 quattro	01.96 - 07.98	110	2598	6	ABC	CL006	135	PIN-6
	2.6 quattro	01.96 - 09.01	110	2598	6	ABC	CL026	143	PIN-6
	2.8	03.96 - 09.96	128	2771	6	AAH	CL026	143	PIN-6
	2.8	10.96 - 09.01	142	2771	6	APR/ACK/ALG/AQD/AMX	CL006	135	PIN-6
	2.8 quattro	01.96 - 09.96	128	2771	6	AAH	CL026	143	PIN-6
	2.8 quattro	10.96 - 09.01	142	2771	6	APR/ACK/ALG/AQD/AMX	CL006	135	PIN-6
	RS4 2.7 quattro	05.00 - 09.01	280	2671	6	AZR/ASJ	CL004	134	pencil
	S4 2.7 quattro	09.97 - 09.01	195	2671	6	AGB/AZB	CL004	134	pencil
A4 Avant (8E5, B6)	1.6	09.01 - 12.04	75	1595	4	ALZ	CL002	130	PIN-4
	1.8T	09.01 - 07.02	110	1781	4	AVJ	CL005	134	pencil
	1.8T	07.02 - 12.04	120	1781	4	BFB	CL005	134	pencil
	1.8T	11.02 - 12.04	140	1781	4	BEX	CL005	134	pencil
	1.8T quattro	09.01 - 07.02	110	1781	4	AVJ	CL005	134	pencil
	1.8T quattro	07.02 - 12.04	120	1781	4	BFB	CL005	134	pencil
	1.8T quattro	11.02 - 12.04	140	1781	4	BEX	CL005	134	pencil
	2.0	09.01 - 12.04	96	1984	4	ALT	CL015	139	pencil
	2.0 FSI	07.02 - 12.04	110	1984	4	AWA	CL015	139	pencil
	2.4	09.01 - 12.04	120	2393	6	AMM	CL006	135	PIN-6
	2.4	09.01 - 12.04	125	2393	6	BDV	CL006	135	PIN-6
	3.0	09.01 - 12.04	162	2976	6	ASN	CL015	139	pencil
	3.0 quattro	09.01 - 12.04	162	2976	6	ASN/AVK	CL015	139	pencil
	S4 4.2 quattro	03.03 - 12.04	253	4163	8	BBK	CL029	143	pencil
A4 Avant (8ED, B7)	1.6	11.04 - 06.08	75	1595	4	ALZ	CL002	130	PIN-4
	1.8T	11.04 - 06.08	120	1781	4	BFB	CL005	134	pencil
	1.8T quattro	11.04 - 06.08	120	1781	4	BFB	CL005	134	pencil
	2.0	11.04 - 06.08	96	1984	4	ALT	CL005	134	pencil
	2.0 TFSI	11.04 - 06.08	147	1984	4	BGB/BWE	CL011	137	pencil
	2.0 TFSI	06.05 - 06.08	162	1984	4	BUL	CL011	137	pencil
	2.0 TFSI	10.06 - 06.08	125	1984	4	BPJ/BYK	CL011	137	pencil
	2.0 TFSI quattro	11.04 - 06.08	147	1984	4	BGB/BWE	CL011	137	pencil
	2.0 TFSI quattro	06.05 - 06.08	162	1984	4	BUL	CL011	137	pencil
	3.2 FSI	01.05 - 06.08	188	3123	6	AUK	CL015	139	pencil
	3.2 FSI quattro	01.05 - 06.08	188	3123	6	AUK	CL015	139	pencil
	RS4 4.2 quattro	09.05 - 06.08	309	4163	8	BNS	CL011	137	pencil
	S4 4.2 quattro	11.04 - 06.08	253	4163	8	BBK	CL029	143	pencil
A4 Avant (8K5, B8)	1.8 TFSI	04.08 -	88	1798	4	CDHA	CL011	137	pencil
	1.8 TFSI	04.08 -	118	1798	4	CDHB/CCUA/CABB	CL011	137	pencil
	1.8 TFSI quattro	09.08 -	118	1798	4	CDHB	CL011	137	pencil
	2.0 TFSI	06.08 -	132	1984	4	CDNB/CDZA	CL011	137	pencil
	2.0 TFSI	06.08 -	155	1984	4	CDNC/CADA	CL011	137	pencil
	2.0 TFSI flexible fuel	11.09 -	132	1984	4	CFKA	CL011	137	pencil
	2.0 TFSI flex. fuel quattro	11.09 -	132	1984	4	CFKA	CL011	137	pencil
	2.0 TFSI quattro	06.08 -	155	1984	4	CDNC	CL011	137	pencil

CAR	MODEL	YEAR	kW	ccm	CYL	MOTOR	COILTYPE	PAGE	INFO	
AUDI										
A4 Cabriolet (8H7, B6, 8HE, B7)	1.8T	07.02 - 03.09	120	1781	4	BFB	CL005	134	pencil	
	1.8T quattro	05.03 - 03.09	120	1781	4	BFB	CL005	134	pencil	
	2.0TFSI 16V	01.06 - 03.09	147	1984	4	BWE	CL011	137	pencil	
	2.4	04.02 - 12.05	120	2393	6	AMM	CL006	135	PIN-6	
	2.4	04.02 - 12.05	125	2393	6	BDV	CL006	135	PIN-6	
	3.0	04.02 - 12.05	162	2976	6	ASN	CL015	139	pencil	
	3.0 quattro	05.03 - 12.05	162	2976	6	ASN	CL015	139	pencil	
	RS4 4.2 quattro	06.06 - 03.09	309	4163	8	BNS	CL011	137	pencil	
	S4 4.2 quattro	03.04 - 03.09	253	4163	8	BBK	CL029	143	pencil	
A5 (8T3)	1.8TFSI	10.07 -	125	1798	4	CABD	CL011	137	pencil	
	1.8TFSI	05.09 -	118	1798	4	CDHB	CL011	137	pencil	
	2.0TFSI	06.08 -	155	1984	4	CDNC	CL011	137	pencil	
	2.0TFSI	11.08 -	132	1984	4	CDNB	CL011	137	pencil	
	2.0TFSI quattro	06.08 -	155	1984	4	CAEB/CDNC	CL011	137	pencil	
A5 Cabriolet (8F7)	1.8TFSI	09.09 -	118	1798	4	CDHB	CL011	137	pencil	
	2.0TFSI	03.09 -	132	1984	4	CDNB/CAEA	CL011	137	pencil	
	2.0TFSI	03.09 -	155	1984	4	CAEB/CDNC	CL011	137	pencil	
	2.0TFSI quattro	03.09 -	155	1984	4	CAEB/CDNC	CL011	137	pencil	
A5 Sportback (8TA)	1.8TFSI	11.09 -	118	1798	4	CDHB	CL011	137	pencil	
	2.0TFSI	09.09 -	132	1984	4	CDNB	CL011	137	pencil	
	2.0TFSI	09.09 -	155	1984	4	CDNC	CL011	137	pencil	
	2.0TFSI quattro	09.09 -	155	1984	4	CDNC	CL011	137	pencil	
A6 (4A, C4)	1.8	12.95 - 10.97	92	1781	4	ADR	CL028	143	PIN-2	
	1.8 quattro	12.95 - 10.97	92	1781	4	ADR	CL028	143	PIN-2	
	2.0	06.94 - 10.97	85	1984	4	ABK	CL001	129	PIN-1	
	2.6	06.94 - 10.97	110	2598	6	ABC	CL006	135	PIN-6	
	2.6 quattro	06.94 - 10.97	110	2598	6	ABC	CL006	135	PIN-6	
	2.8	06.94 - 10.97	128	2771	6	AEJ/AAH/AFC	CL026	143	PIN-6	
	2.8	12.95 - 10.97	142	2771	6	ACK	CL006	135	PIN-6	
	2.8 quattro	06.94 - 10.97	128	2771	6	AEJ/AAH	CL026	143	PIN-6	
	2.8 quattro	12.95 - 10.97	142	2771	6	ACK	CL006	135	PIN-6	
	S6 4.2 Plus quattro	04.96 - 10.97	240	4172	8	AHK	CL004	134	pencil	
	A6 (4B, C5)	1.8	07.97 - 01.05	92	1781	4	ANQ/ARH/AJP/AQE	CL014	139	pencil
1.8T		01.97 - 01.05	110	1781	4	ARK/AEB/ANB/APU	CL004	134	pencil	
1.8T		01.97 - 01.05	110	1781	4	AWT	CL005	134	pencil	
1.8T		12.97 - 01.05	132	1781	4	AJL	CL004	134	pencil	
1.8T quattro		02.97 - 01.05	110	1781	4	ARK/AEB/ANB/APU	CL004	134	pencil	
1.8T quattro		12.97 - 01.05	132	1781	4	AJL	CL004	134	pencil	
1.8T quattro		02.97 - 01.05	110	1781	4	AWT	CL005	134	pencil	
2.0		08.01 - 01.05	96	1984	4	ALT	CL015	139	pencil	
2.4		02.97 - 01.05	115	2393	6	APC	CL006	135	PIN-6	
2.4		02.97 - 01.05	120	2393	6	AMM/APZ/AJG	CL006	135	PIN-6	
2.4		02.97 - 01.05	121	2393	6	AML/ARJ/ALF/AGA/APS	CL006	135	PIN-6	
2.4		07.98 - 01.05	100	2393	6	ARN/ASM/ALW	CL006	135	PIN-6	
2.4		08.01 - 01.05	125	2393	6	BDV	CL006	135	PIN-6	
2.4 quattro		02.97 - 01.05	120	2393	6	APZ/AJG	CL006	135	PIN-6	
2.4 quattro		02.97 - 01.05	121	2393	6	AML/ARJ/ALF/AGA/APS	CL006	135	PIN-6	
2.4 quattro		08.98 - 07.99	115	2393	6	APC	CL006	135	PIN-6	
2.4 quattro		08.01 - 01.05	125	2393	6	BDV	CL006	135	PIN-6	
2.7T		02.99 - 01.05	169	2671	6	AJK	CL004	134	pencil	
2.7T quattro		12.97 - 01.05	169	2671	6	AJK	CL004	134	pencil	
2.7T quattro		08.01 - 01.05	184	2671	6	BES/ARE	CL004	134	pencil	
								CL006	135	PIN-6
2.7T quattro		08.01 - 01.05	184	2671	6	BES	CL005	134	pencil	
2.8		02.97 - 01.05	142	2771	6	APR/ACK/ALG/AQD/AMX	CL006	135	PIN-6	
2.8		10.97 - 07.98	132	2771	6	AGE	CL006	135	PIN-6	
2.8		07.99 - 01.05	140	2771	6	BBG/ATX	CL006	135	PIN-6	
2.8 quattro		02.97 - 01.05	142	2771	6	APR/ACK/ALG/AQD/AMX	CL006	135	PIN-6	
2.8 quattro		01.98 - 04.00	132	2771	6	AGE	CL006	135	PIN-6	
3.0		08.01 - 01.05	162	2976	6	ASN	CL015	139	pencil	

CAR	MODEL	YEAR	kW	ccm	CYL	MOTOR	COILTYPE	PAGE	INFO
AUDI									
A6 (4B, C5)	3.0 quattro	08.01 - 01.05	162	2976	6	ASN	CL015	139	pencil
	3.7	03.99 - 01.05	191	3697	8	AQG	CL014	139	pencil
	3.7 quattro	03.99 - 01.05	191	3697	8	AQG	CL014	139	pencil
	4.2 quattro	11.98 - 01.05	220	4172	8	AWN/ARS/ASG	CL014	139	pencil
	RS6 4.2 quattro	07.02 - 01.05	331	4172	8	BCY	CL014	139	pencil
	S6 4.2 quattro	09.99 - 01.05	250	4172	8	AQJ/ANK	CL014	139	pencil
A6 (4F2, C6)	2.0 TFSI	06.05 - 03.11	125	1984	4	BPJ	CL011	137	pencil
	2.4	05.04 - 10.08	130	2393	6	BDW	CL015	139	pencil
	2.4 quattro	01.05 - 10.08	130	2393	6	BDW	CL015	139	pencil
	2.8 FSI	10.08 - 03.11	140	2773	6	CCDA	CL015	139	pencil
	2.8 FSI	11.06 - 10.08	154	2773	6	BDX	CL015	139	pencil
	2.8 FSI	10.08 - 03.11	162	2773	6	CCEA	CL015	139	pencil
	2.8 FSI quattro	10.08 - 03.11	140	2773	6	CCDA	CL015	139	pencil
	2.8 FSI quattro	06.07 - 10.08	154	2773	6	BDX	CL015	139	pencil
	2.8 FSI quattro	10.08 - 03.11	162	2773	6	CCEA	CL015	139	pencil
	3.0 TFSI quattro	10.08 - 03.11	213	2995	6	CAJA	CL015	139	pencil
	3.2 FSI	05.04 - 05.09	188	3123	6	AUK/BKH	CL015	139	pencil
	3.2 FSI quattro	05.04 - 10.08	188	3123	6	AUK/BKH	CL015	139	pencil
	4.2 quattro	05.04 - 05.06	246	4163	8	BAT	CL029	143	pencil
	4.2 FSI quattro	06.06 - 03.11	257	4163	8	BVJ	CL015	139	pencil
	RS6 5.0 quattro	09.08 - 08.10	426	4991	10	BUH	CL015	139	pencil
	S6 5.2 quattro	03.06 - 03.11	320	5204	10	BXA	CL015	139	pencil
A6 (4G2, C7)	2.0 TFSI	05.11 -	132	1984	4	CDNB	CL011	137	pencil
	2.8 FSI	03.11 -	150	2773	6	CHVA	CL015	139	pencil
	2.8 FSI quattro	03.11 -	150	2773	6	CHVA	CL015	139	pencil
	3.0 TFSI quattro	03.11 -	228	2995	6	CGWD/CGXB/CTUA	CL015	139	pencil
	3.0 TFSI quattro	11.10 -	220	2995	6	CGWB	CL015	139	pencil
	3.0 TFSI quattro	10.08 -	213	2995	6	CAJA	CL015	139	pencil
A6 Allroad (4FH, C6)	3.0 TFSI quattro	10.08 -	213	2995	6	CAJA	CL015	139	pencil
	3.2 FSI quattro	05.06 -	188	3123	6	AUK	CL015	139	pencil
	4.2 FSI quattro	05.06 -	257	4163	8	BVJ	CL015	139	pencil
A6 Avant (4A, C4)	1.8	12.95 - 12.97	92	1781	4	ADR	CL028	143	PIN-2
	1.8 quattro	12.95 - 12.97	92	1781	4	ADR	CL028	143	PIN-2
	2.6	06.94 - 12.97	110	2598	6	ABC	CL006	135	PIN-6
	2.6 quattro	06.94 - 12.97	110	2598	6	ABC	CL006	135	PIN-6
	2.8	06.94 - 12.97	128	2771	6	AEJ/AAH	CL026	143	PIN-6
	2.8	12.95 - 12.97	142	2771	6	ACK	CL006	135	PIN-6
	2.8 quattro	06.94 - 12.97	128	2771	6	AEJ/AAH	CL026	143	PIN-6
	2.8 quattro	12.95 - 12.97	142	2771	6	ACK	CL006	135	PIN-6
	S6 4.2 Plus quattro	04.96 - 12.97	240	4172	8	AHK	CL004	134	pencil
	A6 Avant (4B, C5)	1.8	12.97 - 01.05	92	1781	4	ARH/AJP/AQE	CL014	139
1.8T		12.97 - 01.05	110	1781	4	ARK/AEB/ANB/APU	CL004	134	pencil
1.8T		12.97 - 01.05	110	1781	4	AWT	CL005	134	pencil
1.8T		04.99 - 01.05	132	1781	4	AJL	CL004	134	pencil
1.8T quattro		12.97 - 01.05	110	1781	4	ARK/AEB/ANB/APU	CL004	134	pencil
							CL028	143	PIN-2
1.8T quattro		12.97 - 01.05	110	1781	4	AWT	CL005	134	pencil
1.8T quattro		12.97 - 01.05	132	1781	4	AJL	CL004	134	pencil
2.0		08.01 - 01.05	96	1984	4	ALT	CL015	139	pencil
2.4		12.97 - 01.05	115	2393	6	APC	CL006	135	PIN-6
2.4		12.97 - 01.05	120	2393	6	AMM/APZ/AJG	CL006	135	PIN-6
2.4		12.97 - 01.05	121	2393	6	AML/ARJ/ALF/AGA/APS	CL006	135	PIN-6
2.4		07.98 - 01.05	100	2393	6	ARN/ASM/ALW	CL006	135	PIN-6
2.4		08.01 - 01.05	125	2393	6	BDV	CL006	135	PIN-6
2.4 quattro		12.97 - 01.05	120	2393	6	APZ/AJG	CL006	135	PIN-6
2.4 quattro		12.97 - 01.05	121	2393	6	AML/ARJ/ALF/AGA/APS	CL006	135	PIN-6
2.4 quattro		08.98 - 05.01	115	2393	6	APC	CL006	135	PIN-6
2.4 quattro		08.01 - 01.05	125	2393	6	BDV	CL006	135	PIN-6
2.7T		02.99 - 01.05	169	2671	6	AJK	CL004	134	pencil
2.7T quattro		12.97 - 01.05	169	2671	6	AJK/AZA	CL004	134	pencil
2.7T quattro		08.01 - 01.05	184	2671	6	ARE	CL004	134	pencil

CAR	MODEL	YEAR	kW	ccm	CYL	MOTOR	COILTYPE	PAGE	INFO	
AUDI										
A6 Avant (4B, C5)	2.7T quattro	08.01 - 01.05	184	2671	6	BES	CL005	134	pencil	
	2.8	12.97 - 07.98	132	2771	6	AGE	CL006	135	PIN-6	
	2.8	12.97 - 01.05	142	2771	6	APR/ACK/ALG/AQD/AMX	CL006	135	PIN-6	
	2.8	07.99 - 01.05	140	2771	6	ATX	CL006	135	PIN-6	
	2.8 quattro	12.97 - 01.05	142	2771	6	APR/ACK/ALG/AQD/AMX	CL006	135	PIN-6	
	3.0	08.01 - 01.05	162	2976	6	ASN	CL015	139	pencil	
	3.0 quattro	08.01 - 01.05	162	2976	6	ASN	CL015	139	pencil	
	3.7	03.99 - 01.05	191	3697	8	AQG	CL014	139	pencil	
	3.7 quattro	03.99 - 01.05	191	3697	8	AQG	CL014	139	pencil	
	4.2 quattro	11.98 - 01.05	220	4172	8	AWN/ARS/ASG	CL014	139	pencil	
	RS6 4.2 plus quattro	04.04 - 01.05	353	4172	8	BRV	CL014	139	pencil	
	RS6 4.2 quattro	07.02 - 01.05	331	4172	8	BCY	CL014	139	pencil	
	S6 4.2 quattro	09.99 - 01.05	250	4172	8	AQJ/ANK	CL014	139	pencil	
	A6 Avant (4F5, C6)	2.0 TFSI	06.05 - 08.11	125	1984	4	BPJ	CL011	137	pencil
2.4		03.05 - 10.08	130	2393	6	BDW	CL015	139	pencil	
2.4 quattro		03.05 - 10.08	130	2393	6	BDW	CL015	139	pencil	
2.8 FSI		11.06 - 10.08	154	2773	6	BDX	CL015	139	pencil	
2.8 FSI		10.08 - 08.11	140	2773	6	CCDA	CL015	139	pencil	
2.8 FSI		10.08 - 08.11	162	2773	6	CCEA	CL015	139	pencil	
2.8 FSI quattro		06.07 - 10.08	154	2773	6	BDX	CL015	139	pencil	
2.8 FSI quattro		10.08 - 08.11	140	2773	6	CCDA	CL015	139	pencil	
2.8 FSI quattro		10.08 - 08.11	162	2773	6	CCEA	CL015	139	pencil	
3.0 TFSI quattro		10.08 - 08.11	213	2995	6	CAJA	CL015	139	pencil	
3.2 FSI		03.05 - 10.08	188	3123	6	AUK	CL015	139	pencil	
3.2 FSI quattro		03.05 - 10.08	188	3123	6	AUK	CL015	139	pencil	
4.2 quattro		03.05 - 05.06	246	4163	8	BAT	CL029	143	pencil	
4.2 FSI quattro		06.06 - 08.11	257	4163	8	BVJ	CL015	139	pencil	
RS6 5.0 quattro		04.08 - 08.10	426	4991	10	BUH	CL015	139	pencil	
S6 5.2 quattro		03.06 - 08.11	320	5204	10	BXA	CL015	139	pencil	
A7 Sportback (4GA)		2.8 FSI	02.11 -	150	2773	6	CHVA	CL015	139	pencil
		2.8 FSI quattro	10.10 -	150	2773	6	CHVA/CNYA	CL015	139	pencil
	3.0 TFSI quattro	10.10 -	220	2995	6	CGWB	CL015	139	pencil	
	3.0 TFSI quattro	01.11 -	228	2995	6	CTTA/CGWD/CGXB/CTUA	CL015	139	pencil	
A8 (4D2, 4D8)	2.8	03.94 - 03.96	128	2771	6	AAH	CL026	143	PIN-6	
	2.8	07.95 - 03.96	120	2771	6	AEJ	CL026	143	PIN-6	
	2.8	04.96 - 09.02	142	2771	6	APR/ACK/ALG/AQD/AMX	CL006	135	PIN-6	
	2.8 quattro	03.94 - 03.96	128	2771	6	AAH	CL026	143	PIN-6	
	2.8 quattro	07.95 - 03.96	120	2771	6	AEJ	CL026	143	PIN-6	
	2.8 quattro	04.96 - 09.02	142	2771	6	APR/ACK/AQD/AMX	CL006	135	PIN-6	
	3.7	07.95 - 12.98	169	3697	8	AEW	CL004	134	pencil	
	3.7	11.98 - 09.02	191	3697	8	AKC/AQG	CL014	139	pencil	
	3.7 quattro	07.95 - 11.98	169	3697	8	AKJ/AEW	CL004	134	pencil	
	3.7 quattro	11.98 - 09.02	191	3697	8	AKC/AQG	CL014	139	pencil	
	4.2 quattro	03.94 - 07.96	180	4172	8	AEM	CL004	134	pencil	
	4.2 quattro	03.94 - 11.98	220	4172	8	AKG/ABZ	CL004	134	pencil	
	4.2 quattro	11.98 - 09.02	228	4172	8	AUW/AQF/AUX	CL014	139	pencil	
	4.2 quattro	02.99 - 04.00	175	4172	8	ARU	CL014	139	pencil	
	S8 4.2 quattro	07.96 - 06.99	250	4172	8	AHC/AKH	CL004	134	pencil	
	S8 4.2 quattro	06.99 - 09.02	265	4172	8	AQH/AVP	CL014	139	pencil	
A8 (4E_)	2.8 FSI	08.07 - 07.10	154	2773	6	BDX	CL015	139	pencil	
	3.0	08.03 - 07.10	162	2976	6	ASN	CL015	139	pencil	
	3.2 FSI	06.05 - 07.10	191	3123	6	BPK	CL015	139	pencil	
	3.2 FSI quattro	06.05 - 07.10	191	3123	6	BPK	CL015	139	pencil	
	3.7 quattro	10.02 - 07.10	206	3697	8	BFL	CL029	143	pencil	
	4.2 quattro	10.02 - 07.10	246	4172	8	BFM	CL029	143	pencil	
	4.2 FSI quattro	06.06 - 07.10	257	4163	8	BVJ	CL015	139	pencil	
	6.0 W12 quattro	12.03 - 07.10	331	5998	12	BTE/BSB/BHT	CL022	142	pencil	
	S8 5.2 quattro	06.06 - 07.10	331	5204	10	BSM	CL015	139	pencil	
A8 (4H_)	3.0 TFSI quattro	06.10 -	245	2995	6	CMDA/CTUB/CGXC	CL015	139	pencil	
	3.0 TFSI quattro	07.10 -	213	2995	6	CGWA/CGXA	CL015	139	pencil	

CAR	MODEL	YEAR	kW	ccm	CYL	MOTOR	COILTYPE	PAGE	INFO	
AUDI										
A8 (4H)	4.2 FSI quattro	11.09 -	273	4163	8	CDRA	CL015	139	pencil	
Allroad (4BH, C5)	2.7T quattro	05.00 - 08.05	184	2671	6	ARE	CL004	134	pencil	
	4.2V8 quattro	07.02 - 08.05	220	4163	8	BAS	CL017	141	pencil	
Cabriolet (8G7, B4)	1.8	01.97 - 08.00	92	1781	4	ADR	CL028	143	PIN-2	
	2.0 E	01.93 - 07.98	85	1984	4	ABK	CL001	129	PIN-1	
	2.8	11.92 - 08.00	128	2771	6	AAH	CL006	135	PIN-6	
	2.6	06.93 - 08.00	110	2598	6	ABC	CL006	135	PIN-6	
Coupe (89, 8B)	2.0	05.89 - 12.96	85	1984	4	ABK/AAD	CL001	129	PIN-1	
	2.6	08.92 - 12.96	110	2598	6	ABC	CL006	135	PIN-6	
	2.6 quattro	08.92 - 12.96	110	2598	6	ABC	CL006	135	PIN-6	
	2.8	09.91 - 12.96	128	2771	6	AAH	CL006	135	PIN-6	
	2.8 quattro	08.91 - 12.96	128	2771	6	AAH	CL006	135	PIN-6	
Q5 (8R)	2.0 TFSI quattro	11.08 -	155	1984	4	CAEB/CDNC	CL011	137	pencil	
	2.0 TFSI quattro	08.09 -	132	1984	4	CDNB	CL011	137	pencil	
	3.2 FSI quattro	11.08 -	199	3197	6	CALB	CL011	137	pencil	
Q7 (4L)	3.0 TFSI	05.10 -	200	2995	6	CJWC/CJTC	CL015	139	pencil	
	3.0 TFSI	05.10 -	245	2995	6	CJTB/CTWA/CNAA/CJWB	CL015	139	pencil	
	3.6 FSI	08.06 - 05.10	206	3597	6	BHK	CL016	140	pencil	
	4.2 FSI	03.06 - 05.10	257	4163	8	BAR	CL015	139	pencil	
R8	4.2 FSI quattro	04.07 - 09.10	309	4163	8	BYH	CL015	139	pencil	
	4.2 FSI quattro	07.10 -	316	4163	8	CNDA	CL015	139	pencil	
	5.2 FSI quattro	04.09 - 05.12	386	5204	10	BUJ	CL015	139	pencil	
R8 Spyder	4.2 FSI quattro	09.10 -	316	4163	8	CNDA	CL015	139	pencil	
	5.2 FSI quattro	02.10 - 05.12	386	5204	10	BUJ	CL015	139	pencil	
TT (8J3)	1.8 TFSI	06.08 -	118	1798	4	CDAA	CL011	137	pencil	
	2.0 quattro	05.08 -	195	1984	4	CDMA/CDLA	CL011	137	pencil	
	2.0 TFSI	08.06 - 06.10	147	1984	4	BWA/BPY/CCTA	CL011	137	pencil	
	2.0 TFSI	05.10 -	155	1984	4	CESA	CL011	137	pencil	
	2.0 TFSI quattro	05.08 -	200	1984	4	CDLB	CL011	137	pencil	
	2.0 TFSI quattro	06.08 - 06.10	147	1984	4	CCZA	CL011	137	pencil	
	2.0 TFSI quattro	05.10 -	155	1984	4	CETA/CESA	CL011	137	pencil	
	2.5 TFSI quattro	07.09 -	250	2480	5	CEPA	CL011	137	pencil	
	3.2 V6 quattro	08.06 - 06.10	184	3189	6	BUB	CL016	140	pencil	
	TT (8N3)	1.8T	10.98 - 06.06	132	1781	4	AJQ/APP	CL014	139	pencil
1.8T		08.00 - 06.06	132	1781	4	ARY/AUQ	CL005	134	pencil	
1.8T		09.02 - 06.06	110	1781	4	AUM	CL005	134	pencil	
							CL014	139	pencil	
1.8T		09.05 - 06.06	120	1781	4	BVP	CL005	134	pencil	
1.8T		09.05 - 06.06	140	1781	4	BVR	CL005	134	pencil	
1.8T quattro		10.98 - 06.06	132	1781	4	AJQ	CL014	139	pencil	
1.8T quattro		10.98 - 06.06	132	1781	4	ARY	CL005	134	pencil	
1.8T quattro		10.98 - 06.06	165	1781	4	BAM/APX	CL014	139	pencil	
1.8T quattro		10.98 - 06.06	165	1781	4	BAM	CL005	134	pencil	
1.8T quattro		03.05 - 06.06	176	1781	4	BFV	CL005	134	pencil	
1.8T quattro		09.05 - 06.06	140	1781	4	BVR	CL005	134	pencil	
3.2 VR6 quattro		07.03 - 06.06	184	3189	6	BPF/BHE	CL016	140	pencil	
TT Roadster (8J9)		1.8 TFSI	06.08 -	118	1798	4	CDAA	CL011	137	pencil
		2.0 quattro	05.08 -	195	1984	4	CDMA/CDLA	CL011	137	pencil
	2.0 TFSI	03.07 - 06.10	147	1984	4	BWA/BPY/CCTA	CL011	137	pencil	
	2.0 TFSI	05.10 -	155	1984	4	CESA	CL011	137	pencil	
	2.0 TFSI quattro	05.08 -	200	1984	4	CDLB	CL011	137	pencil	
	2.0 TFSI quattro	06.08 - 06.10	147	1984	4	CCZA	CL011	137	pencil	
	2.0 TFSI quattro	05.10 -	155	1984	4	CETA/CESA	CL011	137	pencil	
	2.5 TFSI quattro	07.09 -	250	2480	5	CEPA	CL011	137	pencil	
TT Roadster (8N9)	3.2 V6 quattro	03.07 - 06.10	184	3189	6	BUB	CL016	140	pencil	
	1.8T	10.99 - 06.06	132	1781	4	AJQ/APP	CL014	139	pencil	
	1.8T	08.00 - 06.06	132	1781	4	APP/AUQ	CL005	134	pencil	
	1.8T	01.01 - 06.06	110	1781	4	AUM	CL005	134	pencil	
	1.8T	09.05 - 06.06	120	1781	4	BVP	CL005	134	pencil	
						CL005	134	pencil		

CAR	MODEL	YEAR	kW	ccm	CYL	MOTOR	COILTYPE	PAGE	INFO
AUDI									
TT Roadster (8N9)	1.8T quattro	10.99 - 06.06	165	1781	4	BAM/APX	CL005	134	pencil
	1.8T quattro	02.00 - 06.06	132	1781	4	ARY	CL005	134	pencil
	1.8T quattro	09.05 - 06.06	140	1781	4	BVR	CL005	134	pencil
	3.2 VR6 quattro	07.03 - 06.06	184	3189	6	BPF/BHE	CL016	140	pencil
BMW									
116 i (E81, E87)	1.6	09.04 -	85	1596	4	N45 B16/_TU2/_A/N43 B16 A	CL602	214	pencil
	1.6	09.07 -	90	1597	4	N45 B16 TU2/N45 B16 A/N43 B16 A	CL619	223	pencil
	2.0	01.09 -	90	1995	4	N43 B20 A	CL619	223	pencil
118 i (E81, E87)	2.0	09.04 -	95	1995	4	N46 B20/N42 B20 B	CL602	214	pencil
	2.0	04.07 -	105	1995	4	N43 B20 A	CL619	223	pencil
118 i Cabriolet (E88)	2.0	03.08 -	105	1995	4	N43 B20 A	CL619	223	pencil
120 i (E81, E87)	2.0	09.04 -	110	1995	4	N42 B20 A/N46 B20	CL602	214	pencil
	2.0	03.07 -	115	1995	4	N43 B20 A	CL602	214	pencil
	2.0	04.07 -	125	1995	4	N43 B20 A	CL619	223	pencil
120 i Cabriolet (E88)	2.0	03.08 -	125	1995	4	N43 B20 A	CL619	223	pencil
120 i Coupe (E82)	2.0	09.09 -	125	1995	4	N43 B20 A	CL619	223	pencil
125 i Cabriolet (E88)	3.0	03.08 -	160	2996	6	N52 B30 A	CL603	215	pencil
125 i Coupe (E82)	3.0	10.07 -	160	2996	6	N53 B30 A	CL603	215	pencil
130 i (E81, E87)	3.0	03.05 -	190	2996	6	N52 B30 A	CL603	215	pencil
	3.0	09.05 -	195	2996	6	N52 B30 A/N52 B30	CL603	215	pencil
	3.0	09.05 - 04.06	195	2996	6	N52 B30 A/N52 B30	CL623	225	pencil
135 i Cabriolet (E88)	3.0	03.08 -	225	2979	6	N55 B30 A/N54 B30 A	CL603	215	pencil
135 i Coupe (E82)	3.0	10.07 -	225	2979	6	N55 B30 A/N54 B30 A	CL603	215	pencil
316 Ci Coupe (E46)	1.6	04.00 -	77	1596	4	M43 B16 (16 4 E3)	CL615	222	PIN-4
	1.6	06.02 -	85	1596	4	N45 B16 A	CL602	214	pencil
316 g Compact (E36)	1.6	12.95 - 08.00	75	1596	4		CL615	222	PIN-4
316 i (E36)	1.6	07.93 - 02.98	75	1596	4	M43 B16	CL615	222	PIN-4
	1.6	04.00 - 02.05	77	1596	4	M43 B16/M43 B16 (16 4 E3)	CL615	222	PIN-4
	1.6	06.02 - 02.05	85	1596	4	N45 B16/N45 B16 A	CL602	214	pencil
	1.8	02.02 - 02.05	85	1796	4	N46 B18/N46 B18 A/N42 B18	CL602	214	pencil
	1.9	09.98 - 02.05	77	1895	4	M43 B19 TU/M43 164 E3	CL615	222	PIN-4
316 i (E90)	1.6	02.06 -	85	1596	4	N45 B16/_TU2/_N45 B16 A	CL602	214	pencil
316 i Compact (E36)	1.6	03.94 - 08.00	75	1596	4	M43 B16	CL615	222	PIN-4
	1.9	12.98 - 08.00	77	1895	4	M43 B19 TU/M43 164 E3	CL615	222	PIN-4
316 i Coupe (E36)	1.6	09.93 - 04.99	75	1596	4	M43 B16	CL615	222	PIN-4
316 i Touring (E36)	1.6	01.96 - 10.99	75	1596	4	M43 B16	CL615	222	PIN-4
	1.6	06.02 - 02.05	85	1596	4	N45 B16/N45 B16 A	CL602	214	pencil
	1.8	03.02 - 02.05	85	1796	4	N46 B18/_A/N42 B18	CL602	214	pencil
316 ti Compact (E46)	1.6	06.02 - 02.05	85	1596	4	N45 B16 A/N40 B16 A	CL602	214	pencil
	1.8	06.01 - 02.05	85	1796	4	N46 B18 A/N42 B18	CL602	214	pencil
318 Ci Cabriolet (E46)	2.0	09.01 -	105	1995	4	N42 B20/N46 B20	CL602	214	pencil
	2.0	02.05 -	110	1995	4	N46 B20 B	CL602	214	pencil
318 Ci Coupe (E46)	1.9	11.99 - 09.01	87	1895	4	M43 B19	CL615	222	PIN-4
	2.0	09.01 -	105	1995	4	N42 B20/N46 B20	CL602	214	pencil
	2.0	03.05 -	110	1995	4	N46 B20 A	CL602	214	pencil
318 i (E36)	1.8	10.93 - 02.98	85	1796	4	M43 B18	CL615	222	PIN-4
	1.9	02.98 - 09.01	87	1895	4	M43 B19/M43 B19 TU	CL615	222	PIN-4
	2.0	09.01 - 02.05	105	1995	4	N42 B20/N46 B20 A/N46 B20	CL602	214	pencil
318 i (E90)	2.0	09.05 - 03.07	95	1995	4	N46 B20 B/N46 B20	CL602	214	pencil
	2.0	09.07 -	105	1995	4	N43 B20 A	CL619	223	pencil
318 i Cabriolet (E36)	1.8	01.94 - 04.99	85	1796	4	M43 B18	CL615	222	PIN-4
318 i Touring (E36)	1.8	07.95 - 10.99	85	1796	4	M43 B18	CL615	222	PIN-4
318 i Touring (E46)	1.9	10.99 - 09.01	87	1895	4	M43 B19/M43 B19 TU	CL615	222	PIN-4
	2.0	09.01 - 02.05	105	1995	4	N42 B20/N46 B20 A/N46 B20	CL602	214	pencil
318 i Touring (E91)	2.0	01.06 -	95	1995	4	N46 B20 B/N46 B20	CL602	214	pencil
	2.0	09.07 -	105	1995	4	N43 B20 A	CL619	223	pencil
318 is (E30)	1.8	09.89 - 08.91	100	1796	4	M42 B18	CL601	213	pencil
318 is (E36)	1.8	03.93 - 09.93	103	1796	4	M42 B18	CL601	213	pencil
	1.8	03.93 - 02.98	103	1796	4	M42 B18	CL615	222	PIN-4
	1.9	09.95 - 02.98	103	1895	4	M44 B19	CL615	222	PIN-4

CAR	MODEL	YEAR	kW	ccm	CYL	MOTOR	COILTYPE	PAGE	INFO
BMW									
318 is Coupe (E36)	1.8	03.92 - 10.95	103	1796	4	M42 B18	CL615	222	PIN-4
	1.9	09.95 - 04.99	103	1895	4	M44 B19	CL615	222	PIN-4
318 ti Compact (E36)	1.8	11.94 - 08.95	103	1796	4	M42 B18	CL615	222	PIN-4
	1.9	07.95 - 08.00	103	1895	4	M44 B19	CL615	222	PIN-4
318 ti Compact (E46)	2.0	09.01 - 02.05	105	1995	4	N42 B20/N46 B20 A	CL602	214	pencil
320 Ci Cabriolet (E46)	2.2	09.00 - 09.02	125	2171	6	M54 226 S1/M54 B22	CL600	212	pencil
	2.2	10.02 -	125	2171	6	M54 226 S1/M54 B22	CL602	214	pencil
320 Ci Coupe (E46)	2.0	08.99 - 09.00	110	1991	6	M52 B(20 6 S4)/M52 B20	CL600	212	pencil
	2.2	09.00 - 09.02	125	2171	6	M54 226 S1/M54 B22	CL600	212	pencil
	2.2	10.02 -	125	2171	6	M54 226 S1/M54 B22	CL602	214	pencil
320 i (E36)	2.0	09.90 - 02.98	110	1991	6	M52 B Vanos/M50 B Vanos/M50 B20	CL601	213	pencil
320 i (E46)	2.0	03.98 - 09.00	110	1991	6	M52 B(20 6 S3) Vanos/M52 B20	CL600	212	pencil
	2.2	09.00 - 09.02	125	2171	6	M54 226 S1/M54 B22	CL600	212	pencil
	2.2	10.02 - 02.05	125	2171	6	M54 226 S1/M54 B22	CL602	214	pencil
320 i (E90)	2.0	01.05 - 03.07	110	1995	4	N46 B20 A/N46 B20/N46 B20 C	CL602	214	pencil
	2.0	09.07 -	125	1995	4	N43 B20 A	CL619	223	pencil
320 i Cabriolet (E36)	2.0	12.93 - 04.99	110	1991	6	M52 B Vanos/M50 B Vanos/M50 B20	CL601	213	pencil
320 i Cabriolet (E93)	3.0	03.07 -	125	1995	4	N43 B20 A	CL619	223	pencil
320 i Coupe (E36)	2.0	03.92 - 04.99	110	1991	6	M52 B Vanos/M50 B20/_TU/M52 B20	CL600	212	pencil
320 i Coupe (E92)	2.0	11.06 - 06.07	110	1995	4	N46 B20 A/N46N B20 B	CL602	214	pencil
	2.0	03.07 -	125	1995	4	N43 B20 A	CL619	223	pencil
320 i Touring (E36)	2.0	01.95 - 10.99	110	1991	6	M52 B Vanos/M50 B20/_TU/M52 B20	CL600	212	pencil
320 i Touring (E46)	2.0	10.99 - 09.00	110	1991	6	M52 B(20 6 S3) Vanos/M52 B20	CL600	212	pencil
	2.2	09.00 - 09.02	125	2171	6	M54 226 S1/M54 B22	CL600	212	pencil
	2.2	10.02 - 02.05	125	2171	6	M54 226 S1/M54 B22	CL602	214	pencil
320 i Touring (E91)	2.0	09.05 -	110	1995	4	N46 B20 A/N46 B20/N46 B20 C	CL602	214	pencil
	2.0	09.07 -	125	1995	4	N43 B20 A	CL619	223	pencil
320 si (E90)	2.0	05.06 -	127	1997	4	N45 B20 A	CL602	214	pencil
323 Ci Cabriolet (E46)	2.5	04.00 - 09.00	125	2494	6	M52 B25 (Vanos)	CL600	212	pencil
323 Ci Coupe (E46)	2.5	04.99 - 09.00	125	2494	6	M52 B25 (Vanos)	CL600	212	pencil
323 i (E36)	2.5	03.95 - 02.98	125	2494	6	M52 B25 (Vanos)	CL600	212	pencil
323 i (E46)	2.5	03.98 - 09.00	125	2494	6	M52 B25 TU/M52 B25 (Vanos)	CL600	212	pencil
323 i Cabriolet (E36)	2.5	06.95 - 04.99	125	2494	6	M52 B25 (Vanos)	CL600	212	pencil
323 i Coupe (E36)	2.5	03.95 - 04.99	125	2494	6	M52 B25 (Vanos)	CL600	212	pencil
323 i Touring (E36)	2.5	09.95 - 10.99	125	2494	6	M52 B25 (Vanos)	CL600	212	pencil
323 i Touring (E91)	2.5	04.06 - 06.07	130	2497	6	N52N B25 A	CL623	225	pencil
323 ti Compact (E36)	2.5	08.97 - 08.00	125	2494	6	M52 B25 (Vanos)	CL600	212	pencil
325 Ci Cabriolet (E46)	2.5	09.00 - 09.02	141	2494	6	M54 256 S5	CL600	212	pencil
	2.5	10.02 -	141	2494	6	M54 256 S5	CL602	214	pencil
325 Ci Coupe (E46)	2.5	09.00 - 09.02	141	2494	6	M54 256 S5	CL600	212	pencil
	2.5	10.02 -	141	2494	6	M54 256 S5	CL602	214	pencil
325 i (E36)	2.5	09.90 - 09.95	141	2494	6	M50 B25/M50 B25 TU/M50 B25	CL601	213	pencil
325 i (E46)	2.5	09.00 - 09.02	141	2494	6	M54 256 S5/M54 B25	CL600	212	pencil
	2.5	10.02 - 02.05	141	2494	6	M54 256 S5/M54 B25	CL602	214	pencil
325 i (E90)	2.5	01.05 -	160	2497	6	N52 B25/N52 B25 A	CL603	215	pencil
	2.5	01.05 - 04.06	160	2497	6	N52 B25/N52 B25 A	CL623	225	pencil
	3.0	09.07 -	160	2996	6	N53 B30/N53 B30 A	CL619	223	pencil
325 i Cabriolet (E36)	2.5	03.93 - 03.95	141	2494	6	M50 B25/M50 B25 TU	CL601	213	pencil
325 i Cabriolet (E93)	2.5	03.07 -	160	2497	6	N52 B25/N52 B25 A	CL603	215	pencil
	3.0	03.07 -	160	2996	6	N53 B30/N53 B30 A	CL619	223	pencil
325 i Coupe (E36)	2.5	03.92 - 04.99	141	2494	6	M50 B25/M50 B25 TU/M50 B25 (Vanos)	CL601	213	pencil
325 i Coupe (E92)	2.5	09.06 -	160	2497	6	N52 B25/N52 B25 C/N52 B25 A	CL603	215	pencil
	3.0	09.07 -	160	2996	6	N53 B30/N53 B30 A	CL619	223	pencil
325 i Touring (E46)	2.5	09.00 - 09.02	141	2494	6	M54 256 S5/M54 B25	CL600	212	pencil
	2.5	10.02 - 02.05	141	2494	6	M54 256 S5/M54 B25	CL602	214	pencil
325 i Touring (E91)	2.5	09.05 -	160	2497	6	N52 B25/N52 B25 C/N52 B25 A	CL603	215	pencil
	2.5	09.05 - 04.06	160	2497	6	N52 B25/N52 B25 C/N52 B25 A	CL623	225	pencil
	3.0	09.07 -	160	2996	6	N53 B30/N53 B30 A	CL619	223	pencil
325 i xDrive (E90)	3.0	09.08 -	160	2996	6	N53 B30 A	CL619	223	pencil
325 i xDrive Coupe (E92)	3.0	09.08 -	160	2996	6	N53 B30 A	CL619	223	pencil

CAR	MODEL	YEAR	kW	ccm	CYL	MOTOR	COILTYPE	PAGE	INFO
BMW									
325 i xDrive Touring (E91)	3.0	09.08 -	160	2996	6	N53 B30 A	CL619	223	pencil
325 ti Compact (E46)	2.5	06.01 - 09.02	141	2494	6	M54 256 S5/M54 B25	CL600	212	pencil
	2.5	10.02 - 12.04	141	2494	6	M54 256 S5/M54 B25	CL602	214	pencil
325 xi (E46)	2.5	09.00 - 09.02	141	2494	6	M54 256 S5	CL600	212	pencil
	2.5	10.02 - 02.05	141	2494	6	M54 256 S5	CL602	214	pencil
325 xi (E90)	2.5	01.05 -	160	2497	6	N52 B25 A	CL603	215	pencil
	2.5	01.05 - 04.06	160	2497	6	N52 B25 A	CL623	225	pencil
	3.0	09.07 -	160	2996	6	N53 B30 A	CL619	223	pencil
325 xi Coupe (E92)	2.5	09.06 -	160	2497	6	N52 B25 C/N52 B25 A	CL603	215	pencil
	3.0	09.07 -	160	2996	6	N53 B30 A	CL619	223	pencil
325 xi Touring (E46)	2.5	09.00 - 09.02	141	2494	6	M54 256 S5	CL600	212	pencil
	2.5	10.02 - 02.05	141	2494	6	M54 256 S5	CL602	214	pencil
325 xi Touring (E91)	2.5	09.05 -	160	2497	6	N52 B25 C	CL603	215	pencil
	2.5	09.05 - 04.06	160	2497	6	N52 B25 C	CL623	225	pencil
	3.0	09.07 -	160	2996	6	N53 B30 A	CL619	223	pencil
328 Ci Coupe (E46)	2.8	04.99 - 06.00	142	2793	6	M52 B28	CL600	212	pencil
328 i (E36)	2.8	01.95 - 02.98	142	2793	6	M52 B28/M52 B28 TU	CL600	212	pencil
328 i (E46)	2.8	02.98 - 06.00	142	2793	6	M52 B28	CL600	212	pencil
328 i Cabriolet (E36)	2.8	03.95 - 04.99	142	2793	6	M52 B28/M52 B28 TU	CL600	212	pencil
328 i Coupe (E36)	2.8	01.95 - 04.99	142	2793	6	M52 B28/M52 B28 TU	CL600	212	pencil
328 i Touring (E36)	2.8	01.95 - 10.99	142	2793	6	M52 B28/M52 B28 TU	CL600	212	pencil
328 i Touring (E46)	2.8	10.99 - 06.00	142	2793	6	M52 B28	CL600	212	pencil
330 Ci Cabriolet (E46)	3.0	06.00 - 09.02	170	2979	6	M54 306 S3	CL600	212	pencil
	3.0	10.02 -	170	2979	6	M54 306 S3	CL602	214	pencil
330 Ci Coupe (E46)	3.0	06.00 - 09.02	170	2979	6	M54 306 S3	CL600	212	pencil
	3.0	09.02 -	170	2979	6	M54 306 S3	CL602	214	pencil
330 i (E46)	3.0	06.00 - 09.02	170	2979	6	M54 B30 /M54 306 S3	CL600	212	pencil
	3.0	10.02 - 02.05	170	2979	6	M54 B30 /M54 306 S3	CL602	214	pencil
330 i (E90)	3.0	01.05 -	190	2996	6	N52 B30 A/N52 B30	CL603	215	pencil
	3.0	01.05 - 04.06	190	2996	6	N52 B30 A/N52 B30	CL623	225	pencil
	3.0	09.07 -	200	2996	6	N53 B30/N53 B30 A	CL619	223	pencil
330 i Cabriolet (E93)	3.0	03.07 -	200	2996	6	N53 B30/N53 B30 A	CL619	223	pencil
330 i Coupe (E92)	3.0	09.06 -	200	2996	6	N53 B30/N53 B30 A	CL603	215	pencil
							CL619	223	pencil
330 i Touring (E46)	3.0	06.00 - 09.02	170	2979	6	M54 B30 /M54 306 S3	CL600	212	pencil
	3.0	10.02 - 02.05	170	2979	6	M54 B30 /M54 306 S3	CL602	214	pencil
330 i Touring (E91)	3.0	09.05 -	190	2996	6	N52 B30 A/N52 B30	CL603	215	pencil
	3.0	09.05 - 04.06	190	2996	6	N52 B30 A/N52 B30	CL623	225	pencil
	3.0	09.07 -	200	2996	6	N53 B30	CL619	223	pencil
330 i xDrive (E90)	3.0	09.08 -	200	2996	6	N53 B30 A	CL619	223	pencil
330 i xDrive Coupe (E92)	3.0	09.08 -	200	2996	6	N53 B30 A	CL619	223	pencil
330 i xDrive Touring (E91)	3.0	09.08 -	200	2996	6	N53 B30 A	CL619	223	pencil
330 xi (E46)	3.0	06.00 - 09.02	170	2979	6	M54 306 S3	CL600	212	pencil
	3.0	10.02 - 02.05	170	2979	6	M54 306 S3	CL602	214	pencil
330 xi (E90)	3.0	01.05 -	190	2996	6	N52 B30 A	CL623	225	pencil
	3.0	09.07 -	200	2996	6	N53 B30 A	CL619	223	pencil
330 xi Coupe (E46)	3.0	06.00 - 09.02	170	2979	6	M54 306 S3	CL600	212	pencil
	3.0	10.02 -	170	2979	6	M54 306 S3	CL602	214	pencil
330 xi Coupe (E92)	3.0	09.06 -	200	2996	6	N52 B30 A	CL619	223	pencil
330 xi Touring (E46)	3.0	06.00 - 09.02	170	2979	6	M54 306 S3	CL600	212	pencil
	3.0	10.02 - 02.05	170	2979	6	M54 306 S3	CL602	214	pencil
330 xi Touring (E91)	3.0	09.05 -	190	2996	6	N52 B30 A	CL623	225	pencil
	3.0	09.07 -	200	2996	6	N53 B30 A	CL619	223	pencil
335 i (E90)	3.0	09.06 -	225	2979	6	N55 B30 A/N54 B30 A	CL603	215	pencil
335 i Cabriolet (E93)	3.0	03.07 -	225	2979	6	N54 B30 B/N55 B30 A/N54 B30 A	CL603	215	pencil
335 i Coupe (E92)	3.0	09.06 -	225	2979	6	N55 B30 A/N54 B30 A	CL603	215	pencil
335 i Touring (E91)	3.0	09.06 -	225	2979	6	N55 B30 A/N54 B30 A	CL603	215	pencil
335 i xDrive (E90)	3.0	09.08 -	225	2979	6	N55 B30 A/N54 B30 A	CL603	215	pencil
335 i xDrive Coupe (E92)	3.0	09.08 -	225	2979	6	N55 B30 A/N54 B30 A	CL603	215	pencil
335 i xDrive Touring (E91)	3.0	09.08 -	225	2979	6	N55 B30 A/N54 B30 A	CL603	215	pencil

CAR	MODEL	YEAR	kW	ccm	CYL	MOTOR	COILTYPE	PAGE	INFO
BMW									
335 xi (E90)	3.0	09.07 -	225	2979	6	N55 B30 A/N54 B30 A	CL603	215	pencil
335 xi Coupe (E92)	3.0	09.06 -	225	2979	6	N55 B30 A/N54 B30 A	CL603	215	pencil
335 xi Touring (E91)	3.0	09.07 -	225	2979	6	N55 B30 A/N54 B30 A	CL603	215	pencil
518 g Touring (E34)	1.8	11.95 - 06.96	85	1796	4	M43 B18	CL615	222	PIN-4
518 i (E34)	1.8	08.89 - 09.95	85	1796	4	M43 B18	CL615	222	PIN-4
518 i Touring (E34)	1.8	09.94 - 01.97	85	1796	4	M43 B18	CL615	222	PIN-4
520 i (E34)	2.0 24V	09.89 - 09.95	110	1991	6	M50 B Vanos/M50 B20/M50 B/M50 B20 TU	CL601	213	pencil
520 i (E39)	2.0	04.99 - 06.03	100	1991	6	M52 B(20 6 S3) Vanos	CL600	212	pencil
	2.0	01.96 - 09.00	110	1991	6	M52 B Vanos/M52 B/M52 B20	CL600	212	pencil
	2.0	09.00 - 06.03	125	2171	6	M54 B22	CL600	212	pencil
	2.0	10.02 - 06.03	125	2171	6	M54 B22	CL602	214	pencil
520 i (E60)	2.0	09.07 -	125	1995	4	N43 B20 A	CL619	223	pencil
	2.2	07.03 -	125	2171	6	M54 226 S1/M54 B22	CL602	214	pencil
520 i Touring (E34)	2.0	11.91 - 01.97	110	1991	6	M50 B Vanos/M50 B20/M50 B/M50 B20 TU	CL601	213	pencil
520 i Touring (E39)	2.0	04.99 - 05.04	100	1991	6	M52 B(20 6 S3) Vanos	CL600	212	pencil
	2.0	01.97 - 09.00	110	1991	6	M52 B Vanos/M52 B/M52 B20	CL600	212	pencil
	2.0	09.00 - 09.02	125	2171	6	M54 B22	CL600	212	pencil
	2.2	10.02 - 05.04	125	2171	6	M54 B22	CL602	214	pencil
520 i Touring (E61)	2.0	09.07 -	125	1995	4	N43 B20 A	CL619	223	pencil
	2.2	06.04 -	125	2171	6	M54 226 S1	CL602	214	pencil
523 i (E39)	2.5	11.95 - 09.00	125	2494	6	M52 B25 TU/M52 B25 (Vanos)	CL600	212	pencil
523 i (E60)	2.5	07.05 -	130	2497	6	N52 B25/N52 B25 A	CL603	215	pencil
	2.5	07.05 - 04.06	130	2497	6	N52 B25/N52 B25 A	CL623	225	pencil
	2.5	01.07 -	140	2497	6	N52 B25 A	CL619	223	pencil
523 i (F10)	3.0	03.10 -	150	2996	6	N53 B30 A	CL619	223	pencil
523 i Touring (E39)	2.5	01.97 - 09.00	125	2494	6	M52 B25 TU/M52 B25 (Vanos)	CL600	212	pencil
523 i Touring (E61)	2.5	07.05 -	130	2497	6	N52 B25/N52 B25 A	CL603	215	pencil
	2.5	07.05 - 04.06	130	2497	6	N52 B25/N52 B25 A	CL623	225	pencil
	2.5	01.07 -	140	2497	6	N52 B25 A	CL619	223	pencil
523 i Touring (F11)	3.0	09.10 -	150	2996	6	N53 B30 A	CL619	223	pencil
525 i (E34)	2.5 24V	09.89 - 09.95	141	2494	6	M50 B25/M52 B25 (Vanos)/M50 B25 TU	CL601	213	pencil
525 i (E39)	2.5	09.00 - 06.03	141	2494	6	M54 256 S5/M54 B25	CL600	212	pencil
	2.5	10.02 - 06.03	141	2494	6	M54 256 S5/M54 B25	CL602	214	pencil
525 i (E60)	2.5	09.03 -	141	2494	6	M54 256 S5/M54 B25	CL602	214	pencil
	2.5	07.05 -	160	2497	6	N52 B25/N52 B25 A	CL603	215	pencil
	2.5	07.05 - 04.06	160	2497	6	N52 B25/N52 B25 A	CL623	225	pencil
525 i (E60)	3.0	01.07 -	160	2996	6	N53 B30/N53 B30 A	CL619	223	pencil
525 i Touring (E34)	2.5	11.91 - 01.97	141	2494	6	M50 B25/M50 B25 TU	CL601	213	pencil
525 i Touring (E39)	2.5	09.00 - 09.02	141	2494	6	M54 256 S5/M54 B25	CL600	212	pencil
	2.5	10.02 - 05.04	141	2494	6	M54 256 S5/M54 B25	CL602	214	pencil
525 i Touring (E61)	2.5	06.04 -	141	2494	6	M54 256 S5/M54 B25	CL602	214	pencil
	2.5	07.05 -	160	2497	6	N52 B25/N52 B25 A	CL603	215	pencil
	2.5	07.05 - 04.06	160	2497	6	N52 B25/N52 B25 A	CL623	225	pencil
	3.0	01.07 -	160	2996	6	N53 B30/N53 B30 A	CL619	223	pencil
525 i xDrive (E60)	3.0	09.08 -	160	2996	6	N53 B30 A	CL619	223	pencil
525 i xDrive Touring (E61)	3.0	09.08 -	160	2996	6	N53 B30 A	CL619	223	pencil
525 iX (E34)	2.5 24V	10.91 - 09.95	141	2494	6	M52 B25 (Vanos)	CL601	213	pencil
525 iX Touring (E34)	2.5	02.92 - 01.97	141	2494	6	M50 B25/M52 B25 (Vanos)	CL601	213	pencil
525 xi (E60)	2.5	07.05 -	160	2497	6	N52 B25 A	CL623	225	pencil
	3.0	01.07 -	160	2996	6	N53 B30 A	CL619	223	pencil
	3.0	01.07 -	160	2996	6	N53 B30 A	CL619	223	pencil
525 xi Touring (E61)	2.5	07.05 -	160	2497	6	N52 B25 A	CL623	225	pencil
528 i (E39)	2.8	11.95 - 09.00	142	2793	6	M52 B28/M52 B28 TU	CL600	212	pencil
528 i (F10)	3.0	03.10 -	190	2996	6	N53 B30 A	CL619	223	pencil
528 i Touring (E39)	2.8	01.97 - 09.00	142	2793	6	M52 B28/M52 B28 TU	CL600	212	pencil
528 i Touring (F11)	3.0	09.10 -	190	2996	6	N53 B30 A	CL619	223	pencil
530 i (E34)	3.0 V8	09.92 - 09.95	160	2997	8	M60 B30	CL601	213	pencil
530 i (E39)	3.0	09.00 - 09.02	170	2979	6	M54 B30 /M54 306 S3	CL600	212	pencil
	3.0	10.02 - 06.03	170	2979	6	M54 B30 /M54 306 S3	CL602	214	pencil
530 i (E60)	3.0	07.03 -	170	2979	6	M54 B30 /M54 306 S3	CL602	214	pencil

CAR	MODEL	YEAR	kW	ccm	CYL	MOTOR	COILTYPE	PAGE	INFO
BMW									
530 i (E60)	3.0	07.05 -	190	2996	6	N52 B30 A/N52 B30	CL603	215	pencil
	3.0	07.05 - 04.06	190	2996	6	N52 B30 A/N52 B30	CL623	225	pencil
	3.0	01.07 -	200	2996	6	N53 B30/N53 B30 A	CL619	223	pencil
530 i Touring (E34)	3.0V8	09.92 - 01.97	160	2997	8	M60 B30	CL601	213	pencil
530 i Touring (E39)	3.0	09.00 - 09.02	170	2979	6	M54 B30 /M54 306 S3	CL600	212	pencil
	3.0	10.02 - 05.04	170	2979	6	M54 B30 /M54 306 S3	CL602	214	pencil
530 i Touring (E61)	3.0	06.04 -	170	2979	6	M54 B30 /M54 306 S3	CL602	214	pencil
	3.0	07.05 -	190	2996	6	N52 B30 A/N52 B30	CL603	215	pencil
	3.0	07.05 - 04.06	190	2996	6	N52 B30 A/N52 B30	CL623	225	pencil
	3.0	01.07 -	200	2996	6	N53 B30/N53 B30 A	CL619	223	pencil
530 i xDrive (E60)	3.0	09.08 -	200	2996	6	N53 B30 A	CL619	223	pencil
530 i xDrive Touring (E61)	3.0	09.08 -	200	2996	6	N53 B30 A	CL619	223	pencil
530 xi (E60)	3.0	07.05 -	190	2996	6	N52 B30 A	CL603	215	pencil
	3.0	07.05 - 04.06	190	2996	6	N52 B30 A	CL623	225	pencil
	3.0	01.07 -	200	2996	6	N53 B30 A	CL619	223	pencil
530 xi Touring (E61)	3.0	07.05 -	190	2996	6	N52 B30 A	CL603	215	pencil
	3.0	07.05 - 04.06	190	2996	6	N52 B30 A	CL623	225	pencil
	3.0	01.07 -	200	2996	6	N53 B30 A	CL619	223	pencil
535 i (E39)	3.5	04.96 - 03.99	173	3498	8	M62 B(35 8 S1)/M62 B35	CL600	212	pencil
	3.5	04.99 - 06.03	180	3498	8	M62 B(35 8 S2)/M62 B35 TU	CL600	212	pencil
540 i (E34)	4.0V8	09.92 - 09.95	210	3982	8	M60 B40	CL601	213	pencil
540 i (E39)	4.4	04.96 - 06.03	210	4398	8	M62 B44/M62 B44 TU/M62 448 S2	CL600	212	pencil
540 i (E60)	4.0	07.05 -	225	4000	8	N62 B40 A	CL602	214	pencil
540 i Touring (E34)	4.0	09.93 - 01.97	210	3982	8	M60 B40	CL601	213	pencil
540 i Touring (E39)	4.4	01.97 - 05.04	210	4398	8	M62 B44/M62 B44 TU/M62 448 S2	CL600	212	pencil
545 i (E60)	4.4	09.03 -	245	4398	8	N62 B44	CL602	214	pencil
545 i Touring (E61)	4.4	06.04 -	245	4398	8	N62 B44	CL602	214	pencil
550 i (E60)	4.8	07.05 -	270	4799	8	N62 B48 B	CL602	214	pencil
550 i (F10)	4.4	03.10 -	300	4395	8	N63 B44 A	CL603	215	pencil
550 i Gran Turismo (F07)	4.4	10.09 -	300	4395	8	N63 B44 A	CL603	215	pencil
550 i Touring (E61)	4.8	07.05 -	270	4799	8	N62 B48 A/N62 B48 B	CL602	214	pencil
550 i xDrive (F10)	4.4	09.10 -	300	4395	8	N63 B44 A	CL603	215	pencil
550 i xDrive Gran Turismo (F07)	4.4	09.10 -	300	4395	8	N63 B44 A	CL603	215	pencil
630 i (E63)	3.0	09.04 - 04.06	190	2996	6	N52 B30 A/N52 B30	CL623	225	pencil
	3.0	09.04 -	190	2996	6	N52 B30 A/N52 B30	CL603	215	pencil
	3.0	07.07 -	200	2996	6	N53 B30	CL619	223	pencil
630 i Cabriolet (E64)	3.0	09.04 - 04.06	190	2996	6	N52 B30 A/N52 B30	CL623	225	pencil
	3.0	09.04 -	190	2996	6	N52 B30 A/N52 B30	CL603	215	pencil
	3.0	07.07 -	200	2996	6	N53 B30	CL619	223	pencil
645 Ci (E63)	4.4	01.04 -	245	4398	8	N62 B44/N62 B44 A	CL602	214	pencil
645 Ci Cabriolet (E64)	4.4	04.04 -	245	4398	8	N62 B44/N62 B44 A	CL602	214	pencil
650 i (E63)	4.8	07.05 -	270	4799	8	N62 B48 B	CL602	214	pencil
650 i Cabriolet (E64)	4.8	07.05 -	270	4799	8	N62 B48 B	CL602	214	pencil
650 i Cabriolet (F12)	4.4	03.11 -	300	4395	8	N63 B44 A	CL603	215	pencil
7 Active Hybrid (F01, _2, _3, _4)	4.4	10.10 -	342	4395	8	N63 B44 A	CL603	215	pencil
728 i,iL (E38)	2.8	08.95 - 11.01	142	2793	6	M52 B28/M52 B28 TU	CL600	212	pencil
730 i,iL (E32)	3.0V8	04.92 - 09.94	160	2997	8	M60 B30	CL601	213	pencil
730 i,iL (E38)	3.0	10.94 - 11.01	155	2997	8	M60 B30	CL601	213	pencil
	3.0	10.94 - 11.01	160	2997	8	M60 B30	CL601	213	pencil
730 i,Li (E65, E66)	3.0	03.03 -	170	2979	6	M54 B30 /M54 306 S3	CL602	214	pencil
	3.0	03.05 -	190	2996	6	N52 B30 A/N52 B30	CL603	215	pencil
	3.0	03.05 - 04.06	190	2996	6	N52 B30 A/N52 B30	CL623	225	pencil
735 i,iL (E38)	3.5	01.96 - 11.01	173	3498	8	M62 B(35 8 S1)/M62 B35	CL600	212	pencil
735 i,Li (E65, E66)	3.6	11.01 -	200	3600	8	N62 B36	CL602	214	pencil
740 i (F01, F02, F03, F04)	3.0	10.08 -	240	2979	6	N54 B30 A	CL603	215	pencil
740 i,iL (E32)	4.0V8	04.92 - 09.94	210	3982	8	M60 B40	CL601	213	pencil
740 i,iL (E38)	4.0	10.94 - 11.01	210	3982	8	M60 B40	CL601	213	pencil
	4.4	01.96 - 11.01	210	4398	8	M62 B44/M62 B44 TU/M62 448 S2	CL600	212	pencil
	4.0	07.05 -	225	4000	8	N62 B40 A	CL602	214	pencil
740 i,Li (E65, E66)	4.4	11.01 -	245	4398	8	N62 B44/N62 B44 A	CL602	214	pencil

CAR	MODEL	YEAR	kW	ccm	CYL	MOTOR	COILTYPE	PAGE	INFO
BMW									
750 i (F01, F02, F03, F04)	4.4	10.08 -	300	4395	8	N63 B44 A	CL603	215	pencil
750 i xDrive (F01, F02, F03, F04)	4.4	09.09 -	300	4395	8	N63 B44 A	CL603	215	pencil
750 i, iL (E38)	5.4	12.94 - 11.01	240	5379	12	M73 B54	CL600	212	pencil
750 i, Li (E65, E66)	4.8	07.05 -	270	4799	8	N62 B48 B	CL602	214	pencil
760 i (F01, F02, F03, F04)	6.0	09.09 -	400	5972	12	N74 B60 A	CL603	215	pencil
760 i, Li (E65, E66)	6.0	01.03 -	327	5972	12	N73 B60	CL602	214	pencil
840 Ci (E31)	4.4	01.96 - 12.99	210	4398	8	M62 B44/M62 B44 TU	CL600	212	pencil
840 i (E31)	4.0	02.93 - 02.96	210	3982	8	M60 B40	CL601	213	pencil
850 Ci (E31)	5.4	09.94 - 12.99	240	5379	12	M73 B54	CL600	212	pencil
M3 (E36)	3.0	08.94 - 09.95	210	2990	6	S50 B30	CL601	213	pencil
	3.2	09.95 - 02.98	236	3201	6	S50 B32	CL600	212	pencil
M3 Cabriolet (E36)	3.0	01.94 - 10.95	210	2990	6	S50 B30	CL601	213	pencil
	3.2	10.95 - 04.99	236	3201	6	S50 B32	CL600	212	pencil
M3 Cabriolet (E46)	3.2	04.01 -	252	3246	6	S54 326 S4/S54 B32	CL602	214	pencil
M3 Coupe (E36)	3.0	10.92 - 01.95	210	2990	6	S50 B30	CL601	213	pencil
	3.0	01.95 - 10.95	217	2990	6	S50 B30	CL601	213	pencil
	3.2	10.95 - 04.99	236	3201	6	S50 B32	CL600	212	pencil
M3 Coupe (E46)	3.2	06.00 -	252	3246	6	S54 326 S4/S54 B32	CL602	214	pencil
M3 CSL Coupe (E46)	3.2	06.03 -	265	3246	6	S54N 326 S4/S54 B32	CL602	214	pencil
M5 (E39)	5.0	10.98 - 06.03	294	4941	8	S62 B50/S38 B49	CL600	212	pencil
X1 sDrive18i (E84)	2.0	01.10 -	110	1995	4	N46 B20 B	CL602	214	pencil
X1 xDrive25i (E84)	3.0	01.10 -	160	2996	6	N52 B30 A	CL603	215	pencil
X1 xDrive28i (E84)	3.0	10.09 -	190	2996	6	N52 B30 A	CL603	215	pencil
X3 (E83)	2.0 i	07.05 -	110	1995	4	N46 B20 A/N46 B20	CL602	214	pencil
X3 (E83)	2.5 i	01.04 -	141	2494	6	M54 256 S5/M54 B25	CL602	214	pencil
X3 (E83)	2.5 si	09.06 -	160	2497	6	N52 B25 A	CL603	215	pencil
X3 (E83)	3.0 i	01.04 -	170	2979	6	M54 B30 /M54 306 S3	CL602	214	pencil
X3 (E83)	3.0 si	09.06 -	200	2996	6	N52 B30 A	CL603	215	pencil
X3 xDrive20i (E83)	2.0	09.08 -	110	1995	4	N46 B20 B	CL602	214	pencil
X3 xDrive25i (E83)	2.5	09.08 -	160	2497	6	N52 B25 A	CL603	215	pencil
X3 xDrive28i (F25)	3.0	04.11 -	190	2996	6	N52 B30 A	CL603	215	pencil
X3 xDrive30i (E83)	3.0	09.08 -	200	2996	6	N52 B30 A	CL603	215	pencil
X5 (E53)	3.0 i	05.00 - 10.02	163	2979	6	M54 306 S3	CL600	212	pencil
	3.0 i	11.02 -	163	2979	6	M54 306 S3	CL602	214	pencil
	3.0 i	05.00 -	170	2979	6	M54 B30 /M54 306 S3	CL600	212	pencil
	4.4 i	05.00 -	210	4398	8	M62 B44/M62 B44 TU	CL600	212	pencil
	4.4 i	12.03 -	235	4398	8	N62 B44/N62 B44 A	CL602	214	pencil
	4.6 is	02.02 -	255	4619	8	M67 468 S1/M62 B46	CL600	212	pencil
	4.8 is	04.04 -	265	4799	8	N62 B48 A	CL602	214	pencil
X5 (E70)	3.0 si	02.07 - 09.08	200	2996	6	N52 B30 A/N52 B30	CL603	215	pencil
	4.4 M	09.09 -	408	4395	8	S63 B44 A	CL603	215	pencil
	4.8 i	02.07 - 09.08	261	4799	8	N62 B48 B	CL602	214	pencil
X5 xDrive30i (E70)	3.0	09.08 -	200	2996	6	N52 B30 A	CL603	215	pencil
X5 xDrive48i (E70)	4.8	09.08 -	261	4799	8	N62 B48 B	CL602	214	pencil
X5 xDrive50i (E70)	4.4	06.10 -	300	4395	8	N63 B44 A	CL603	215	pencil
X6 35i (E71, E72)	3.0	05.08 -	225	2979	6	N54 B30 A	CL603	215	pencil
X6 50i (E71, E72)	4.4	05.08 -	300	4395	8	N63 B44 A	CL603	215	pencil
X6 (E71, E72)	4.4 M	09.09 -	408	4395	8	S63 B44 A	CL603	215	pencil
X6 Active Hybrid (E71, E72)	4.4	10.10 -	357	4395	8	N63 B44 A	CL603	215	pencil
X6 xDrive35i (E71, E72)	3.0	09.08 -	225	2979	6	N54 B30 A	CL603	215	pencil
X6 xDrive50i (E71, E72)	4.4	09.08 -	300	4395	8	N63 B44 A	CL603	215	pencil
Z3 (E36)	1.8	10.95 - 10.98	85	1796	4	M43 B18	CL615	222	PIN-4
	1.9	10.95 - 03.99	103	1895	4	M44 B19	CL615	222	PIN-4
	1.9	07.98 - 01.03	87	1895	4	M43 B19/M43 B19 TU/M43 194 E1	CL615	222	PIN-4
	1.9	01.99 - 01.03	85	1895	4	M43 194 E1	CL615	222	PIN-4
	2.0	04.99 - 01.03	110	1991	6	M52 B(20 6 S4)/M52 B20	CL600	212	pencil
	2.2	08.00 - 01.03	125	2171	6	M54 226 S1/M54 B22	CL600	212	pencil
	2.8	04.97 - 06.00	141	2793	6	M52 B28/M52 B28 TU	CL600	212	pencil
	3.0	06.00 - 01.03	170	2979	6	M54 B30 /M54 306 S3	CL600	212	pencil
	3.2 M	03.97 - 06.01	236	3201	6	S50 B32	CL600	212	pencil

CAR	MODEL	YEAR	kW	ccm	CYL	MOTOR	COILTYPE	PAGE	INFO
BMW									
Z3 (E36)	3.2 M	06.01 - 01.03	239	3246	6	S54 B32/S54 B32 (32 6 S4)	CL602	214	pencil
Z3 Coupe (E36)	2.8	07.97 - 06.00	141	2793	6	M52 B28	CL600	212	pencil
	3.0	06.00 - 06.03	170	2979	6	M54 306 S3	CL600	212	pencil
	3.2 M	02.98 - 06.01	236	3201	6	S50 B32	CL600	212	pencil
	3.2 M	06.01 - 06.03	239	3246	6	S54 326 S4/S54 B32	CL602	214	pencil
Z4 (E85)	2.0 i	04.05 -	110	1995	4	N46 B20 A/N46 B20	CL602	214	pencil
	2.2 i	10.03 -	125	2171	6	M54 226 S1/M54 B22	CL602	214	pencil
	2.5 i	02.03 -	141	2494	6	M54 256 S5/M54 B25	CL602	214	pencil
	2.5 i	01.06 -	130	2497	6	N52 B25 A	CL603	215	pencil
	2.5 i	01.06 - 04.06	130	2497	6	N52 B25 A	CL623	225	pencil
	2.5 si	01.06 -	160	2497	6	N52 B25 A	CL603	215	pencil
	2.5 si	01.06 - 04.06	160	2497	6	N52 B25 A	CL623	225	pencil
	3.0 i	02.03 -	170	2979	6	M54 B30 /M54 306 S3	CL602	214	pencil
	3.0 si	01.06 -	195	2996	6	N52 B30 A/N52 B30	CL603	215	pencil
	3.0 si	01.06 - 04.06	195	2996	6	N52 B30 A/N52 B30	CL623	225	pencil
	3.2 M	03.06 -	252	3246	6	S54 326 S4/S54 B32	CL602	214	pencil
Z4 Coupe (E86)	3.0 si	03.06 -	195	2996	6	N52 B30 A/N52 B30	CL603	215	pencil
							CL623	225	pencil
	3.2 M	03.06 -	252	3246	6	S54 326 S4/S54 B32	CL602	214	pencil
Z4 sDrive23i (E89)	2.5	05.09 -	150	2497	6	N52 B25 A	CL603	215	pencil
Z4 sDrive30i (E89)	3.0	05.09 -	190	2996	6	N52 B30 A	CL603	215	pencil
Z4 sDrive35i (E89)	3.0	05.09 -	225	2979	6	N54 B30 A	CL603	215	pencil
Z4 sDrive35is (E89)	3.0	09.10 -	250	2979	6	N54 B30 A	CL603	215	pencil
Z8 (E52)	4.9	06.00 - 06.03	294	4941	8	S62 B50/S38 B49	CL600	212	pencil
CHEVROLET									
Aveo CC (T200, T250)	1.2	04.08 -	62	1206	4	B12D1	CL220	171	PIN-4
	1.4	04.08 -	74	1399	4	F14D4	CL220	171	PIN-4
Aveo Sedan (T200, T250)	1.2	03.06 -	53	1150	4	F12S3	CL220	171	PIN-4
	1.2	01.08 -	62	1206	4	B12D1	CL220	171	PIN-4
	1.4	03.06 -	69	1399	4	F14D3	CL220	171	PIN-4
	1.4	01.08 -	74	1399	4	F14D4	CL220	171	PIN-4
	1.5	05.05 -	62	1498	4	F15S3	CL220	171	PIN-4
Captiva (C100, C140)	2.4	06.06 -	100	2405	4	Z 24 SED	CL220	171	PIN-4
	2.4	12.06 -	103	2405	4	Z 24 SED	CL220	171	PIN-4
	2.4	03.11 -	123	2384	4	A 24 XE/LES	CL220	171	PIN-4
	2.4 4WD	06.06 -	100	2405	4	Z 24 SED	CL220	171	PIN-4
	2.4 4WD	12.06 -	103	2405	4	Z 24 SED	CL220	171	PIN-4
	2.4 4WD	03.11 -	123	2384	4	A 24 XE/LES	CL220	171	PIN-4
	2.4 LPG	01.07 -	100	2405	4	Z 24 SED	CL220	171	PIN-4
	2.4 LPG 4WD	01.07 -	100	2405	4	Z 24 SED	CL220	171	PIN-4
Cruze (J300)	1.6	05.09 -	80	1598	4	F16D3	CL220	171	PIN-4
	1.6	05.09 -	83	1598	4	F16D4	CL220	171	PIN-4
	1.6	05.09 -	91	1598	4	F16D4	CL220	171	PIN-4
Evanda	2.0	03.05 -	96	1998	4	X 20 SED	CL220	171	PIN-4
Kalos	1.2	03.05 -	53	1150	4	B12S1	CL220	171	PIN-4
	1.4	03.05 -	61	1399	4	F14S3	CL220	171	PIN-4
	1.4 16V	03.05 -	69	1399	4	F14D3	CL220	171	PIN-4
Kalos Sedan	1.2	03.05 -	53	1150	4	F12S3	CL220	171	PIN-4
	1.4	03.05 -	61	1399	4	F14S3	CL220	171	PIN-4
	1.4 16V	03.05 -	69	1399	4	F14D3	CL220	171	PIN-4
Lacetti (J200)	1.4 16V	03.05 -	70	1399	4	F14D3	CL225	172	DIN-4
	1.6	03.05 -	80	1598	4	F16D3	CL225	172	DIN-4
	1.8	03.05 -	90	1799	4	T18SED	CL220	171	PIN-4
	1.8	08.05 -	89	1796	4	F18D3	CL220	171	PIN-4
Matiz	0.8	03.05 -	38	796	3	F8CV	CL216	170	SAE-3
	0.8 LPG	03.05 -	38	796	3	F8CV	CL216	170	SAE-3
	1.0	03.05 -	47	995	4	B10S	CL220	171	PIN-4
	1.0	03.05 -	49	995	4	B10S1	CL220	171	PIN-4
	1.0 LPG	03.05 -	49	995	4	B10S1	CL220	171	PIN-4
Nubira Combi	1.6	03.05 -	80	1598	4	F16D3	CL225	172	DIN-4

CAR	MODEL	YEAR	kW	ccm	CYL	MOTOR	COILTYPE	PAGE	INFO
CHEVROLET									
Nubira Combi	1.8	03.05 -	90	1799	4	T18SED	CL220	171	PIN-4
Nubira Sedan	1.4	01.05 -	69	1399	4	F14D3	CL225	172	DIN-4
	1.4	01.06 -	70	1399	4	F14D3	CL225	172	DIN-4
	1.6	03.05 -	80	1598	4	F16D3	CL225	172	DIN-4
	1.8	03.05 -	90	1799	4	T18SED	CL220	171	PIN-4
Spark	0.8	05.05 -	37	796	3	F8CV	CL216	170	SAE-3
	1.0 SX	05.05 -	46	995	4		CL220	171	PIN-4
Spark (M300)	1.0	03.10 -	50	995	4	B10D1	CL220	171	PIN-4
	1.2	03.10 -	60	1206	4	B12D1	CL220	171	PIN-4
Tacuma	1.6	03.05 -	77	1598	4	A16DMS	CL220	171	PIN-4
	1.6	08.05 -	79	1598	4	A16DMS	CL220	171	PIN-4
	2.0	03.05 -	89	1998	4	T20SED	CL220	171	PIN-4
	2.0	08.05 -	90	1998	4	T20SED	CL220	171	PIN-4
CHRYSLER									
PT Cruiser (PT_)	2.0	06.00 -	104	1996	4	ECC	CL706	227	SAE-4
	2.0	10.04 -	100	1996	4	ECC	CL706	227	SAE-4
	2.4	06.00 -	110	2429	4	EDZ	CL706	227	SAE-4
	2.4	08.05 -	105	2429	4	EDZ	CL706	227	SAE-4
PT Cruiser Cabriolet	2.4	03.04 -	105	2429	4	EDZ	CL706	227	SAE-4
CITROEN									
AX (ZA-_)	1.3 Sport	04.87 - 12.88	70	1294	4	M4A	CL108	149	SAE-1
	1.4 GTi	08.91 - 12.96	66	1360	4	KFY (TU3FJ2)	CL106	147	PIN-1
	1.4 GTi	06.91 - 12.96	69	1360	4	KFZ (TU3FJ2)	CL106	147	PIN-1
	1.4 GTi	06.91 - 12.92	74	1360	4	KFZ (TU3FJ2)	CL106	147	PIN-1
AX 10 (ZA-_)	1.0	09.86 - 06.92	32	954	4	C1A	CL108	149	SAE-1
	1.0	02.87 - 12.98	37	954	4	CDZ (TU9M)	CL106	147	PIN-1
	1.0	07.86 - 12.90	33	954	4	CDY (TU9M)	CL108	149	SAE-1
	1.0	01.91 - 12.98	33	954	4	CDY (TU9M)	CL109	149	SAE-1
	1.0	01.92 - 12.98	33	954	4	CDY (TU9M)	CL106	147	PIN-1
	1.0 E	12.86 - 12.88	30	954	4	C3A	CL108	149	SAE-1
AX 11 (ZA-_)	1.1	12.86 - 04.94	40	1124	4	H1A/H1B	CL108	149	SAE-1
	1.1	01.91 - 12.97	44	1124	4	HDZ (TU1M)/H1B	CL109	149	SAE-1
	1.1	01.92 - 12.97	44	1124	4	HDZ (TU1M)/H1B	CL106	147	PIN-1
	1.1 cat	09.88 - 12.89	40	1124	4	HAZ (TU1CP)	CL108	149	SAE-1
	1.1 4x4	06.91 - 07.92	40	1124	4	H1A	CL108	149	SAE-1
AX 14 (ZA-_)	1.4	12.86 - 12.88	44	1360	4	KAY (TU3CP)	CL108	149	SAE-1
	1.4	01.88 - 12.92	62	1360	4	K2B/K2A	CL108	149	SAE-1
	1.4	06.88 - 12.89	49	1360	4	K1F	CL108	149	SAE-1
	1.4	07.89 - 07.96	55	1360	4	KDZ /KDX /KDY (TU3M, TU3FM)	CL106	147	PIN-1
	1.4	05.91 - 04.97	55	1360	4	KDZ /KDX /KDY (TU3M, TU3FM)	CL108	149	SAE-1
	1.4 4x4	08.91 - 12.96	55	1360	4	KDZ /KDX /KDY (TU3M, TU3FM)	CL108	149	SAE-1
Berlingo	1.6	04.08 -	66	1587	4	NFR (TU5JP4B)	CL104	146	rail
	1.6	04.08 -	80	1587	4	NFU (TU5JP4)	CL104	146	rail
	1.6 VTi 120	11.09 -	88	1598	4	5FS (EP6C)	CL603	215	pencil
	1.6 VTi 95	07.10 -	72	1598	4	5FK (EP6 CB)	CL603	215	pencil
Berlingo (MF)	1.1 i	07.96 -	44	1124	4	HDZ (TU1M)/HFX (TU1JP)	CL107	147	PIN-1
	1.4 i	07.96 -	55	1360	4	KFX (TU3JP)/KFW (TU3JP)	CL107	155	rail
							CL120	147	PIN-1
	1.4 i	09.00 -	55	1360	4	KFX (TU3JP)/KFW (TU3JP)	CL111	150	rail
	1.4 i	09.05 -	55	1360	4	KFX (TU3JP)/KFW (TU3JP)	CL110	149	rail
	1.6 16V	10.00 -	80	1587	4	NFU (TU5JP4)	CL104	146	rail
	1.8 i	04.97 -	66	1761	4	LFX (XU7JB)	CL107	147	PIN-1
	1.8 i	05.97 -	66	1761	4	LFX (XU7JB)	CL107	147	PIN-1
Berlingo Van	1.6	04.08 -	66	1587	4	NFR (TU5JP4B)	CL104	146	rail
	1.6	04.08 -	80	1587	4	NFU (TU5JP4)	CL104	146	rail
	1.6 VTi 95	07.10 -	72	1598	4	5FK (EP6 CB)	CL603	215	pencil
Berlingo Van (M_)	1.1 i	07.96 -	44	1124	4	HDZ (TU1M)/HFX (TU1JP)	CL107	147	PIN-1
	1.4 i	07.96 -	55	1360	4	KFX (TU3JP)/KFW (TU3JP)	CL107	147	PIN-1
							CL120	155	rail
	1.4 i	09.00 -	55	1360	4	KFX (TU3JP)/KFW (TU3JP)	CL111	150	rail

CAR	MODEL	YEAR	kW	ccm	CYL	MOTOR	COILTYPE	PAGE	INFO
CITROEN									
Berlingo Van (M_)	1.4 i	09.05 -	55	1360	4	KFX (TU3JP)/KFW (TU3JP)	CL110	149	rail
	1.6 16V	10.00 -	80	1587	4	NFU (TU5JP4)	CL104	146	rail
	1.8 i	08.99 - 10.02	66	1761	4	LFX (XU7JB)	CL107	147	PIN-1
BX 11 (XB-)	1.1	10.88 - 06.92	40	1124	4	HDZ (TU1M)	CL108	149	SAE-1
BX 14 (XB-)	1.4	01.89 - 12.89	47	1360	4	K1H (TU3A)	CL108	149	SAE-1
BX 15 (XB-)	1.5	10.87 - 05.92	59	1580	4	B1E (XU51C)	CL114	151	SAE-1
BX 15 Break (XB-)	1.5	10.87 - 05.92	59	1580	4	B1E (XU51C)	CL114	151	SAE-1
BX 16 (XB-)	1.6	01.87 - 02.93	53	1580	4	B1E (XU51C)	CL114	151	SAE-1
	1.6	09.88 - 02.93	55	1580	4	BAZ (XUSCP)/BAY (XUSCP)	CL114	151	SAE-1
	1.6 E	09.89 - 03.91	65	1580	4	BDY (XUSM)/BDZ (XUSM)	CL114	151	SAE-1
	1.6 E	03.91 - 02.93	65	1580	4	BDY (XUSM)/BDZ (XUSM)	CL107	147	PIN-1
BX 16 Break (XB-)	1.6	09.88 - 12.94	53	1580	4	B1E (XU51C)	CL114	151	SAE-1
	1.6	05.89 - 12.94	65	1580	4	BDY (XUSM)/BDZ (XUSM)	CL114	151	SAE-1
BX 19 (XB-)	1.9	07.86 - 05.89	75	1905	4	159A	CL114	151	SAE-1
	1.9	09.86 - 11.89	70	1905	4	D2C (XU92C)	CL114	151	SAE-1
	1.9 E	06.88 - 02.93	80	1905	4	DDZ (XU9M)	CL114	151	SAE-1
	1.9 E 4x4	04.89 - 02.93	80	1905	4	D2F	CL114	151	SAE-1
	1.9 GTi	07.86 - 02.93	90	1905	4	D6A (XU9J2)	CL114	151	SAE-1
	1.9 GTi	06.88 - 02.93	88	1905	4	DKZ (XU9JA)	CL114	151	SAE-1
	1.9 GTi 16V	09.87 - 12.88	116	1905	4	D6C (XU9J4)	CL114	151	SAE-1
	1.9 GTi 16V	03.88 - 02.93	108	1905	4	DFW (XU9J4)	CL114	151	SAE-1
	1.9 GTi 4x4	06.88 - 02.93	88	1905	4	DKZ (XU9JA)	CL114	151	SAE-1
	BX 19 Break (XB-)	1.9	12.87 - 12.89	70	1905	4	D2C (XU92C)	CL114	151
1.9		06.88 - 12.94	80	1905	4	DDZ (XU9M)	CL107	147	PIN-1
1.9		06.88 - 12.94	88	1905	4	DKZ (XU9JA)	CL114	151	SAE-1
1.9 4x4		10.90 - 05.91	80	1905	4	DDZ (XU9M)	CL107	147	PIN-1
C1 (PM_, PN_)		1.0	06.05 -	50	998	3	1KR-FE	CL555	201
C2 (JM_)	1.1	09.03 -	44	1124	4	HFX (TU1JP)	CL111	150	rail
	1.4	09.03 -	54	1360	4	KFV (TU3JP)	CL111	150	rail
							CL120	155	rail
	1.4 16V	06.06 -	65	1360	4	KFU (ET3J4)	CL151	162	rail
	1.6	09.03 -	80	1587	4	NFU (TU5JP4)	CL104	146	rail
	1.6 VTS	01.05 -	90	1587	4	NFS (TU5JP4S)	CL104	146	rail
	C3 (FC_)	1.1 i	02.02 -	44	1124	4	HFX (TU1JP)	CL111	150
1.4 16V		12.03 -	65	1360	4	KFU (ET3J4)	CL111	150	rail
							CL151	162	rail
1.4 i Bivalent		02.02 -	54	1360	4	KFV (TU3JP)	CL111	150	rail
1.6 16V		02.02 -	80	1587	4	NFU (TU5JP4)	CL104	146	rail
C3 II	1.4	11.09 -	54	1360	4	KFT (TU3A)	CL120	155	rail
	1.4 VTi 95	11.09 -	70	1397	4		CL603	215	pencil
	1.6 VTi 120	11.09 -	88	1598	4	5FS (EP6C)	CL603	215	pencil
C3 Picasso	1.4 VTi 95	02.09 -	70	1397	4	8FS (EP3)	CL603	215	pencil
	1.6 VTi 120	02.09 -	88	1598	4	5FS (EP6C)/5FW (EP6)	CL603	215	pencil
C3 Pluriel (HB_)	1.4	05.03 -	54	1360	4	KFV (TU3JP)	CL111	150	rail
							CL120	155	rail
	1.6	05.03 -	80	1587	4	NFU (TU5JP4)	CL104	146	rail
C4 (B7)	1.4 VTi 95	11.09 -	70	1397	4	8FP (EP3)	CL603	215	pencil
	1.6 THP 155	11.09 -	115	1598	4	5FV (EP6DT)/5FV (EP6CDT)	CL603	215	pencil
	1.6 VTi 120	11.09 -	88	1598	4	5FS (EP6C)	CL603	215	pencil
C4 (LC_)	1.4 16V	11.04 -	65	1360	4	KFU (ET3J4)	CL151	162	rail
	1.6 16V	11.04 -	80	1587	4	NFU (TU5JP4)	CL104	146	rail
	1.6 16V Bioflex	09.07 -	80	1587	4	NFU (TU5JP4)	CL104	146	rail
	1.6 THP 140	07.08 -	103	1598	4	5FT (EP6DT)	CL603	215	pencil
	1.6 THP 150	07.08 -	110	1598	4	5FX (EP6DT)	CL603	215	pencil
	1.6 VTi 120	07.08 -	88	1598	4	5FW (EP6)	CL603	215	pencil
	2.0 16V	11.04 -	100	1997	4	RFN (EW10J4)	CL112	150	rail
	2.0 16V	11.04 -	103	1997	4	RFJ (EW10A)/EW10A	CL138	160	rail
	2.0 16V	11.04 -	130	1997	4	EW10J4S/RFK (EW10J4S)	CL133	159	rail
	C4 Coupe (LA_)	1.4 16V	11.04 -	65	1360	4	KFU (ET3J4)	CL151	162
1.6 16V		11.04 -	80	1587	4	NFU (TU5JP4)	CL104	146	rail

CAR	MODEL	YEAR	kW	ccm	CYL	MOTOR	COILTYPE	PAGE	INFO
CITROEN									
C4 Coupe (LA_)	1.6THP 150	07.08 -	110	1598	4	5FX (EP6DT)	CL603	215	pencil
	1.6VTi 120	07.08 -	88	1598	4	5FW (EP6)	CL603	215	pencil
	2.0 16V	11.04 -	100	1997	4	RFN (EW10J4)	CL112	150	rail
	2.0 16V	11.04 -	130	1997	4	EW10J4S/RFK (EW10J4S)	CL133	159	rail
C4 Grand Picasso (UA_)	1.6 16V	07.08 -	103	1598	4	5FT (EP6DT)	CL603	215	pencil
	1.6 16V	10.08 -	110	1598	4	5FX (EP6DT)	CL603	215	pencil
	1.6THP 155	09.10 -	115	1598	4		CL603	215	pencil
	1.6VTi 120	07.08 -	88	1598	4	5FW (EP6)	CL603	215	pencil
	1.8 i 16V	10.06 -	92	1749	4	6FY-EW7A	CL138	160	rail
	2.0 i 16V	10.06 -	103	1997	4	RFJ (EW10A)	CL138	160	rail
C4 Picasso (UD_)	1.6 16V	07.08 -	110	1598	4	5FX (EP6DT)	CL603	215	pencil
	1.6THP 140	07.08 -	103	1598	4	5FT (EP6DT)	CL603	215	pencil
	1.6THP 155	09.10 -	115	1598	4		CL603	215	pencil
	1.6VTi 120	07.08 -	88	1598	4	5FW (EP6)	CL603	215	pencil
	1.8 i 16V	02.07 -	92	1749	4	6FY-EW7A	CL138	160	rail
	2.0 i 16V	02.07 -	103	1997	4	RFJ (EW10A)	CL138	160	rail
C5 (DC_)	1.8 16V	03.01 - 08.04	85	1749	4	6FZ (EW7J4)	CL112	150	rail
	2.0 16V	03.01 - 08.04	100	1997	4	RFN (EW10J4)	CL112	150	rail
							CL138	160	rail
	3.0V6	03.01 - 08.04	152	2946	6	XFX (ES9J4S)	CL135	159	pencil
C5 (RC_)	1.8 16V	09.04 -	85	1749	4	6FZ (EW7J4)	CL112	150	rail
	1.8 16V	09.05 -	92	1749	4	6FY-EW7A	CL138	160	rail
	2.0 16V	09.04 -	103	1997	4	RFJ (EW10A)/EW10A	CL138	160	rail
	3.0V6	09.04 -	152	2946	6	XFV (ES9A)/XFX (ES9J4S)	CL135	159	pencil
C5 (RD_)	1.6THP 155	04.09 -	115	1598	4	5FV (EP6DT)	CL603	215	pencil
	1.6VTi 120	07.10 -	88	1598	4	5FS (EP6C)	CL603	215	pencil
	1.8 16V	02.08 -	92	1749	4	6FY-EW7A	CL138	160	rail
	2.0 16V	02.08 -	103	1997	4	RFJ (EW10A)/EW10A	CL138	160	rail
	3.0V6	02.08 -	155	2946	6	XFU (ES9A)	CL135	159	pencil
							CL135	159	pencil
C5 Break (DE_)	1.8 16V	06.01 - 08.04	85	1749	4	6FZ (EW7J4)	CL112	150	rail
	2.0 16V	06.01 - 08.04	100	1997	4	RFN (EW10J4)	CL112	150	rail
							CL138	160	rail
	3.0 Carlsson	09.03 - 08.04	173	2946	6		CL135	159	pencil
	3.0V6	06.01 - 08.04	152	2946	6	XFX (ES9J4S)	CL135	159	pencil
C5 Break (RE_)	1.8 16V	09.04 -	85	1749	4	6FZ (EW7J4)	CL112	150	rail
	1.8 16V	09.05 -	92	1749	4	6FY-EW7A	CL138	160	rail
	2.0 16V	09.04 -	103	1997	4	RFJ (EW10A)	CL138	160	rail
	3.0V6	09.04 -	152	2946	6	XFV (ES9A)	CL135	159	pencil
C5 Break (TD_)	1.6THP 155	04.09 -	115	1598	4	5FV (EP6DT)	CL603	215	pencil
	1.6VTi 120	07.10 -	88	1598	4	5FS (EP6C)	CL603	215	pencil
	1.8 16V	02.08 -	92	1749	4	6FY-EW7A	CL138	160	rail
	2.0 16V	02.08 -	103	1997	4	RFJ (EW10A)/EW10A	CL138	160	rail
	3.0V6	02.08 -	155	2946	6	XFU (ES9A)	CL135	159	pencil
C6 (TD_)	3.0V6	09.05 -	155	2946	6	ES9J4S/XFV (ES9A)	CL135	159	pencil
C8 (EA_, EB_)	2.0	07.02 -	100	1997	4	RFN (EW10J4)	CL112	150	rail
	2.0 16V	09.05 -	103	1997	4	RFJ (EW10A)	CL138	160	rail
	2.2	07.02 -	116	2230	4	3FZ (EW12J4)	CL133	159	rail
							CL139	161	rail
	3.0V6	07.02 -	150	2946	6	XFX (ES9J4S)	CL135	159	pencil
C15 (VD-)	1.0	10.84 - 12.97	33	954	4	XV8/TU9	CL108	149	SAE-1
	1.1 i	07.88 - 12.96	44	1124	4	HDZ (TU1M)	CL108	149	SAE-1
	1.3	07.87 - 05.88	47	1294	4	G1A	CL114	151	SAE-1
	1.4	07.87 - 12.96	49	1360	4	K1H (TU3A)	CL108	149	SAE-1
	1.4 E	05.87 - 12.96	44	1360	4	150D (XY7)	CL108	149	SAE-1
	1.4 i	05.91 - 12.96	55	1360	4	KDY (TU3FM)/KDY (TU3M)	CL108	149	SAE-1
C15 Combi	1.1	08.88 - 07.96	44	1124	4	HDZ (TU1M)	CL108	149	SAE-1
	1.1	10.88 - 10.92	40	1124	4		CL108	149	SAE-1
	1.4	05.87 - 10.92	44	1360	4	150D (XY7)	CL108	149	SAE-1
	1.4	05.87 - 09.92	49	1360	4		CL108	149	SAE-1
	1.4	05.91 - 07.96	55	1360	4	KDY (TU3M)	CL108	149	SAE-1

CAR	MODEL	YEAR	kW	ccm	CYL	MOTOR	COILTYPE	PAGE	INFO	
CITROEN										
DS3	1.4VTi 95	04.10 -	70	1397	4	8FP (EP3)	CL603	215	pencil	
	1.6THP 150	04.10 -	115	1598	4	5FR (EP6DT)	CL603	215	pencil	
	1.6VTi 120	04.10 -	88	1598	4	5FS (EP6C)	CL603	215	pencil	
DS4	1.6VTi 120	04.11 -	88	1598	4	5FS (EP6C)	CL603	215	pencil	
	Evasion (22, U6)	1.8	05.97 - 07.02	73	1761	4	LFZ (XU7JP)	CL107	147	PIN-1
Jumper Bus (230P)	2.0	06.94 - 07.02	89	1998	4	RFU (XU10J2/C)	CL107	147	PIN-1	
	2.0 16V	05.98 - 04.00	97	1998	4	RFV (XU10J4R)	CL115	151	rail	
	2.0 16V	05.00 - 07.02	100	1997	4	RFN (EW10J4)	CL112	150	rail	
	2.0 Turbo C.T.	06.94 - 07.02	108	1998	4	RGX (XU10J2TE)	CL107	147	PIN-1	
	2.0	02.94 - 04.02	80	1998	4	RFW (XU10J2U)	CL107	147	PIN-1	
Jumper Bus (244, Z _)	2.0	04.02 -	81	1998	4	XU10J2	CL107	147	PIN-1	
	2.0 bivalent	02.03 -	81	1998	4	XU10J2	CL107	147	PIN-1	
	Jumper Flatbed (230)	2.0	03.94 - 04.02	80	1998	4	RFW (XU10J2U)	CL107	147	PIN-1
Jumper Van (230L)	2.0	03.94 - 04.02	80	1998	4	RFW (XU10J2U)	CL107	147	PIN-1	
	2.0 4x4	10.96 - 01.02	80	1998	4		CL129	158	SAE-1	
	2.0	08.96 - 04.02	80	1998	4	RFW (XU10J2U)	CL107	147	PIN-1	
Jumper Van (244)	2.0	04.02 -	81	1998	4	XU10J2	CL107	147	PIN-1	
	2.0 bivalent	02.03 -	81	1998	4	XU10J2	CL107	147	PIN-1	
Jumpy (U6U)	1.6	10.95 -	58	1581	4	220 A2.000/1580 SPI	CL302	175	PIN-4	
	2.0	04.00 - 12.06	100	1997	4	RFN (EW10J4)	CL112	150	rail	
	2.0 i 16V	03.00 -	102	1997	4		CL112	150	rail	
Jumpy	2.0 i	01.07 -	103	1997	4	RFH (EW10A)	CL138	160	rail	
Jumpy Van (BS_, BT_, BY_, BZ_)	1.6 i	10.95 -	58	1581	4	220 A2.000/1580 SPI	CL302	175	PIN-4	
	2.0 i 16V	03.00 -	102	1997	4		CL112	150	rail	
Jumpy Van	2.0 i	01.07 -	103	1997	4	RFH (EW10A)	CL138	160	rail	
Nemo Combi	1.4	04.09 -	54	1360	4	KFV (TU3A)	CL120	155	rail	
Nemo Van (AA_)	1.4	02.08 -	54	1360	4	KFV (TU3A)	CL120	155	rail	
Saxo (S0, S1)	1.0 X	05.96 - 11.98	33	954	4	CDZ (TU9M)	CL107	147	PIN-1	
	1.0 X	05.98 - 06.03	37	954	4	CDZ (TU9M)	CL107	147	PIN-1	
	1.1 X,SX	05.96 - 09.03	40	1124	4	HDZ (TU1M)	CL107	147	PIN-1	
	1.1 X,SX	05.96 - 09.03	44	1124	4	HDZ (TU1M)/HFX (TU1JP)	CL107	147	PIN-1	
	1.1 X,SX	09.00 - 09.03	44	1124	4	HDZ (TU1M)/HFX (TU1JP)	CL111	150	rail	
	1.4 VTS	02.98 - 06.03	55	1360	4	KFX (TU3JP)/KFW (TU3JP)	CL110	149	rail	
	1.4 VTS	06.00 - 06.03	55	1360	4	KFX (TU3JP)/KFW (TU3JP)	CL111	150	rail	
	1.6	02.96 - 04.04	88	1587	4	NFX (TU5JP4)	CL141	161	rail	
	1.6 VTL,VTR	05.96 - 06.03	65	1587	4	NFZ (TU5JP)	CL110	149	rail	
	1.6 VTS	09.00 - 09.03	72	1587	4	NFT	CL111	150	rail	
	1.6 VTS	06.96 - 09.03	87	1587	4	NFX (TU5JP4)	CL111	150	rail	
								CL127	157	rail
								CL141	161	rail
	Xantia (X1)	1.6 i	03.93 - 01.98	65	1580	4	BFZ (XU5JP)	CL107	147	PIN-1
		1.8 i	03.93 - 01.98	74	1761	4	LFZ (XU7JP)	CL107	147	PIN-1
1.8 i		04.97 - 01.98	66	1761	4	LFX (XU7JB)	CL107	147	PIN-1	
1.8 i 16V		06.95 - 01.98	81	1761	4	LFY (XU7JP4)	CL107	147	PIN-1	
1.8 i 16V		08.97 - 12.97	81	1761	4	LFY (XU7JP4)	CL115	151	rail	
2.0 i		03.93 - 01.98	89	1998	4	RFX (XU10J2C)	CL107	147	PIN-1	
2.0 i 16V		03.93 - 01.98	112	1998	4	RFY (XU10J4/Z)	CL105	147	pencil	
2.0 i 16V		06.94 - 01.98	110	1998	4	RFT (XU10J4/Z)	CL105	147	pencil	
2.0 i 16V		07.95 - 09.97	97	1998	4	RFV (XU10J4R)	CL113	151	rail	
2.0 i 16V		08.97 - 12.97	97	1998	4	RFV (XU10J4R)	CL115	151	rail	
2.0 Turbo		06.95 - 01.98	108	1998	4	RGX (XU10J2TE)	CL107	147	PIN-1	
3.0 i 24V		01.97 - 01.98	140	2946	6	XFZ (ES9J4)	CL140	161	PIN-3	
Xantia (X2)	1.8 i	01.98 - 04.03	66	1761	4	LFX (XU7JB)	CL107	147	PIN-1	
	1.8 i 16V	01.98 - 04.03	81	1761	4	LFY (XU7JP4)	CL115	151	rail	
	2.0 i	01.98 - 04.03	89	1998	4	RFX (XU10J2C)	CL107	147	PIN-1	

CAR	MODEL	YEAR	kW	ccm	CYL	MOTOR	COILTYPE	PAGE	INFO
CITROEN									
Xantia (X2)	2.0 i 16V	01.98 - 04.03	97	1998	4	RFV (XU10J4R)	CL115	151	rail
	2.0 Turbo	01.98 - 04.03	108	1998	4	RGX (XU10J2TE)	CL107	147	PIN-1
	3.0 V6	01.98 - 04.03	140	2946	6	XFZ (ES9J4)	CL140	161	PIN-3
Xantia Break (X1)	1.8 i	06.95 - 01.98	74	1761	4	LFZ (XU7JP)	CL107	147	PIN-1
	1.8 i	04.97 - 01.98	66	1761	4	LFY (XU7JB)	CL107	147	PIN-1
	1.8 i 16V	06.95 - 01.98	81	1761	4	LFY (XU7JP4)	CL107	147	PIN-1
	1.8 i 16V	08.97 - 12.97	81	1761	4	LFY (XU7JP4)	CL115	151	rail
	2.0 i	06.95 - 01.98	89	1998	4	RFX (XU10J2C)	CL107	147	PIN-1
	2.0 i 16V	06.95 - 01.98	97	1998	4	RFV (XU10J4R)	CL115	151	rail
	2.0 i 16V	07.95 - 09.97	97	1998	4	RFV (XU10J4R)	CL113	151	rail
	2.0 i 16V	08.97 - 01.98	97	1998	4	RFV (XU10J4R)	CL115	151	rail
	2.0 Turbo	06.95 - 01.98	108	1998	4	RGX (XU10J2TE)	CL107	147	PIN-1
Xantia Break (X2)	1.8 i	01.98 - 04.03	66	1761	4	LFY (XU7JB)	CL107	147	PIN-1
	1.8 i 16V	01.98 - 04.03	81	1761	4	LFY (XU7JP4)	CL115	151	rail
	2.0 i	01.98 - 04.03	89	1998	4	RFX (XU10J2C)	CL107	147	PIN-1
	2.0 i 16V	01.98 - 04.03	97	1998	4	RFV (XU10J4R)	CL115	151	rail
	2.0 Turbo	01.98 - 04.03	108	1998	4	RGX (XU10J2TE)	CL107	147	PIN-1
XM (Y3)	3.0 V6	01.98 - 04.03	140	2946	6	XFZ (ES9J4)	CL140	161	PIN-3
	2.0 i	05.89 - 04.94	79	1998	4	RDZ (XU10MZ)	CL129	158	SAE-1
	2.0 i	05.89 - 06.94	89	1998	4	RFZ (XU10J2)	CL107	147	PIN-1
	2.0 i Turbo	09.92 - 06.94	104	1998	4	RGY (XU10J2TE/Z)	CL107	147	PIN-1
	3.0 V6	05.89 - 06.94	123	2963	6	UFZ (ZPJ/Z)/SFZ (ZPJ/Z)	CL129	158	SAE-1
XM (Y4)	3.0 V6 24V	07.90 - 06.94	147	2963	6	UKZ (ZPJ4/Z)/SKZ (ZPJ4/Z)	CL129	158	SAE-1
	2.0 i 16V	05.94 - 10.00	97	1998	4	RFV (XU10J4R)	CL107	147	PIN-1
	2.0 i 16V	07.94 - 10.00	97	1998	4	RFV (XU10J4R)	CL113	151	rail
XM Break (Y3)	2.0 i 16V	09.97 - 10.00	97	1998	4	RFV (XU10J4R)	CL115	151	rail
	2.0 Turbo	05.94 - 10.00	108	1998	4	RGX (XU10J2TE)	CL107	147	PIN-1
	3.0 V6	05.94 - 10.00	123	2963	6	UFZ (ZPJ/Z)/SFZ (ZPJ/Z)	CL129	158	SAE-1
	3.0 V6	04.97 - 10.00	140	2946	6	XFZ (ES9J4)	CL140	161	PIN-3
	3.0 V6 24V	05.94 - 10.00	147	2963	6	UKZ (ZPJ4/Z)/SKZ (ZPJ4/Z)	CL129	158	SAE-1
	2.0 i	11.91 - 04.94	79	1998	4	RDZ (XU10MZ)/XU102C	CL129	158	SAE-1
	2.0 i	11.91 - 04.94	89	1998	4	RFZ (XU10J2)	CL107	147	PIN-1
XM Break (Y4)	2.0 Turbo	09.92 - 04.94	104	1998	4	RGY (XU10J2TE/Z)	CL107	147	PIN-1
	3.0 V6	11.91 - 04.94	123	2963	6	UFZ (ZPJ/Z)/SFZ (ZPJ/Z)	CL129	158	SAE-1
	2.0 i 16V	05.94 - 10.00	97	1998	4	RFV (XU10J4R)	CL107	147	PIN-1
	2.0 i 16V	07.94 - 10.00	97	1998	4	RFV (XU10J4R)	CL113	151	rail
	2.0 i 16V	09.97 - 10.00	97	1998	4	RFV (XU10J4R)	CL115	151	rail
	2.0 Turbo	05.94 - 10.00	108	1998	4	RGX (XU10J2TE)/RGY (XU10J2TE/Z)	CL107	147	PIN-1
Xsara (N1)	3.0 V6	05.94 - 10.00	123	2963	6	UFZ (ZPJ/Z)/SFZ (ZPJ/Z)	CL129	158	SAE-1
	3.0 V6	04.97 - 10.00	140	2946	6	XFZ (ES9J4)	CL140	161	PIN-3
	1.4 i	04.97 - 03.05	55	1360	4	KFX (TU3JP)/KFW (TU3JP)	CL107	147	PIN-1
							CL110	149	rail
							CL111	150	rail
	1.6 16V	09.00 - 03.05	80	1587	4	NFU (TU5JP4)	CL104	146	rail
	1.6 i	04.97 - 09.00	65	1587	4	NFZ (TU5JP)	CL107	147	PIN-1
							CL110	149	rail
	1.8 i	04.97 - 09.00	66	1761	4	LFY (XU7JB)	CL107	147	PIN-1
	1.8 i 16V	04.97 - 09.00	81	1761	4	LFY (XU7JP4)	CL115	151	rail
	1.8 i Aut.	04.97 - 09.00	74	1761	4	LFZ (XU7JP)	CL107	147	PIN-1
Xsara Break (N2)	2.0 16V	04.97 - 09.00	120	1998	4	RFS (XU10J4RS)	CL132	158	pencil
	2.0 16V	07.98 - 09.00	97	1998	4	RFV (XU10J4R)	CL115	151	rail
	2.0 16V	09.00 - 03.05	100	1997	4	RFN (EW10J4)	CL112	150	rail
	1.4 i	10.97 - 08.05	55	1360	4	KFX (TU3JP)/KFW (TU3JP)	CL107	147	PIN-1
							CL110	149	rail
							CL111	150	rail
Xsara Break (N1)	1.6 16V	09.00 - 08.05	80	1587	4	NFU (TU5JP4)	CL104	146	rail
	1.6 i	10.97 - 09.00	65	1587	4	NFZ (TU5JP)	CL107	147	PIN-1
							CL110	149	rail
	1.8 i	10.97 - 09.00	66	1761	4	LFY (XU7JB)	CL107	147	PIN-1
	1.8 i 16V	10.97 - 09.00	81	1761	4	LFY (XU7JP4)	CL115	151	rail

CAR	MODEL	YEAR	kW	ccm	CYL	MOTOR	COILTYPE	PAGE	INFO
CITROEN									
Xsara Break (N2)	1.8 i Aut.	10.97 - 09.00	74	1761	4	LFZ (XU7JP)	CL107	147	PIN-1
	2.0 16V	07.98 - 09.00	97	1998	4	RFV (XU10J4R)	CL115	151	rail
	2.0 16V	09.00 - 08.05	100	1997	4	RFN (EW10J4)	CL112	150	rail
Xsara Coupe (N0)	1.4 i	03.98 - 03.05	55	1360	4	KFX (TU3JP)/KFW (TU3JP)	CL107	147	PIN-1
							CL110	149	rail
							CL111	150	rail
	1.6 16V	09.00 - 03.05	80	1587	4	NFU (TU5JP4)	CL104	146	rail
	1.6 i	02.98 - 09.00	65	1587	4	NFZ (TU5JP)	CL107	147	PIN-1
	1.8 i	02.98 - 09.00	66	1761	4	LFX (XU7JB)	CL107	147	PIN-1
	1.8 i	02.98 - 09.00	74	1761	4	LFZ (XU7JP)	CL107	147	PIN-1
	1.8 i 16V	02.98 - 09.00	81	1761	4	LFY (XU7JP4)	CL115	151	rail
	2.0 i 16V	02.98 - 03.05	120	1998	4	RFS (XU10J4RS)	CL132	158	pencil
Xsara Picasso (N68)	1.6 16V	09.05 -	80	1587	4	NFU (TU5JP4)	CL104	146	rail
	1.8 16V	02.00 -	85	1749	4	6FZ (EW7J4)	CL112	150	rail
	2.0 16V	01.03 -	100	1997	4	RFN (EW10J4)	CL112	150	rail
ZX (N2)	1,1	03.91 - 08.93	40	1124	4	H1A/H1B	CL109	149	SAE-1
	1.1	03.91 - 06.97	44	1124	4	HDZ (TU1M)	CL109	149	SAE-1
	1.4	03.91 - 06.97	55	1360	4	KDZ (TU3M/Z)	CL109	149	SAE-1
	1.4 i	03.91 - 06.97	55	1360	4	KFX /KDX /KDY	CL109	149	SAE-1
	1.6	07.94 - 10.97	66	1580	4		CL107	147	PIN-1
	1.6 i	03.91 - 06.97	65	1580	4	BFZ (XU5JP)/BDY (XU5M)	CL107	147	PIN-1
	1.8	07.94 - 10.97	76	1761	4		CL107	147	PIN-1
	1.8 i	07.92 - 06.97	74	1761	4	LFZ (XU7JP)	CL107	147	PIN-1
	1.8 i 16V	01.96 - 06.97	81	1761	4	LFY (XU7JP4)	CL107	147	PIN-1
	1.9	03.91 - 06.97	93	1905	4	D6E (XU9JA)	CL107	147	PIN-1
	1.9 i	03.91 - 06.97	88	1905	4	DKZ (XU9JA)	CL107	147	PIN-1
							CL109	149	SAE-1
	2.0	07.94 - 10.97	90	1998	4		CL107	147	PIN-1
	2.0 i	07.92 - 06.97	89	1998	4	RFX (XU10J2C)	CL107	147	PIN-1
	2.0 i 16V	07.92 - 10.94	112	1998	4	RFT (XU10J4/Z)/RFY (XU10J4/Z)	CL105	147	pencil
2.0 i 16V	06.94 - 06.97	110	1998	4	RFT (XU10J4/Z)	CL105	147	pencil	
2.0 i 16V	07.95 - 06.97	110	1998	4	RFT (XU10J4/Z)	CL132	158	pencil	
2.0 i 16V	05.96 - 06.97	120	1998	4	RFS (XU10J4RS)	CL105	147	pencil	
						CL132	158	pencil	
ZX Break (N2)	1.4 i	10.93 - 10.97	55	1360	4	KFX /KDX /KDY	CL109	149	SAE-1
	1.6 i	10.93 - 10.97	65	1580	4	BFZ (XU5JP)/BDY (XU5M)	CL107	147	PIN-1
	1.8 i	10.93 - 10.97	74	1761	4	LFZ (XU7JP)	CL107	147	PIN-1
	1.8 i 16V	01.96 - 02.98	81	1761	4	LFY (XU7JP4)	CL107	147	PIN-1
DACIA									
Duster	1.6 16V	04.10 -	77	1598	4	K4M 696/K4M 690	CL100	144	pencil
	1.6 16V 4x4	06.10 -	77	1598	4	K4M 606	CL100	144	pencil
	1.6 16V LPG	04.11 -	77	1598	4	K4M 696	CL100	144	pencil
Logan (LS_)	1.4	09.04 -	55	1390	4	K7J 710	CL117	152	cables
	1.4 MPI LPG	02.06 -	55	1390	4	K7J 714/K7J 710	CL116	152	PIN-4
	1.6	09.04 -	64	1598	4	K7M 710	CL116	152	PIN-4
	1.6 16V	02.06 -	77	1598	4	K4M 696/K4M 690	CL100	144	pencil
	1.6 MPI 85	05.10 -	62	1598	4	K7M 800	CL116	152	PIN-4
Logan Express (FS_)	1.4	03.09 -	55	1390	4	K7J 710	CL116	152	PIN-4
	1.6	03.09 -	64	1598	4	K7M 710	CL116	152	PIN-4
	1.6 MPI 85	05.10 -	62	1598	4	K7M 800	CL116	152	PIN-4
Logan MCV (KS_)	1.4	02.07 -	55	1390	4	K7J 710	CL116	152	PIN-4
	1.6	02.07 -	64	1598	4	K7M 710	CL116	152	PIN-4
	1.6 16V	02.07 -	77	1598	4	K4M 696/K4M 690	CL100	144	pencil
	1.6 16V Flexifuel	11.09 -	77	1598	4	K4M 694/K4M 690	CL100	144	pencil
	1.6 Bifuel	11.08 -	64	1598	4	K7M 710	CL116	152	PIN-4
	1.6 MPI 85	05.10 -	62	1598	4	K7M 800	CL116	152	PIN-4
Logan Pick-up (US_)	1.4	01.09 -	55	1390	4	K7J 710	CL116	152	PIN-4
	1.6	03.08 -	64	1598	4	K7M 710	CL116	152	PIN-4
Sandero	1.2 16V	11.08 -	55	1149	4	D4F 732	CL150	162	PIN-1

CAR	MODEL	YEAR	kW	ccm	CYL	MOTOR	COILTYPE	PAGE	INFO
DACIA									
Sandero	1.4	06.08 -	55	1390	4	K7J 710	CL116	152	PIN-4
	1.4 MPI LPG	01.09 -	53	1390	4	K7J 714	CL116	152	PIN-4
	1.6	06.08 -	64	1598	4	K7M 710	CL116	152	PIN-4
	1.6 MPI 85	05.10 -	62	1598	4	K7M 800	CL116	152	PIN-4
Solenza	1.4	02.03 -	55	1390	4		CL116	152	PIN-4
DAEWOO									
Cielo (KLETN)	1.5	02.95 - 08.97	52	1498	4	G15MF	CL211	168	SAE-1
	1.5	02.95 - 08.97	55	1498	4	G15MF	CL211	168	SAE-1
	1.5	08.96 - 08.97	44	1498	4	G15MF	CL211	168	SAE-1
	1.5 16V	02.95 - 08.97	66	1498	4	A15MF	CL211	168	SAE-1
Cielo sedan (KLETN)	1.5	02.95 - 08.97	52	1498	4	G15MF	CL211	168	SAE-1
	1.5	02.95 - 08.97	55	1498	4	G15MF	CL211	168	SAE-1
	1.5	08.96 - 08.97	44	1498	4	G15MF	CL211	168	SAE-1
	1.5 16V	02.95 - 08.97	66	1498	4	A15MF	CL211	168	SAE-1
Espero (KLEJ)	1.5	10.97 - 09.99	55	1498	4		CL211	168	SAE-1
	1.5 16V	10.93 - 09.94	65	1498	4		CL211	168	SAE-1
	1.5 16V	02.95 - 06.99	66	1498	4	A15MF	CL211	168	SAE-1
	1.8	02.95 - 09.99	66	1796	4	C18LE	CL211	168	SAE-1
	1.8	02.95 - 06.99	70	1796	4	C18LE	CL211	168	SAE-1
	2.0	10.91 - 09.93	74	1998	4	C20LZ	CL211	168	SAE-1
	2.0	10.93 - 09.94	81	1998	4	C20LE	CL211	168	SAE-1
	2.0	02.95 - 06.99	77	1998	4	C20LE	CL211	168	SAE-1
Evanda (KLAL)	2.0	08.02 -	96	1998	4	L88/X 20 SED	CL220	171	PIN-4
Kalos (KLAS)	1.2	04.03 -	53	1150	4	B12S1	CL220	171	PIN-4
	1.4	09.02 -	61	1399	4	F14S3	CL220	171	PIN-4
	1.4 16V	04.03 -	69	1399	4	F14D3	CL220	171	PIN-4
Kalos Sedan (KLAS)	1.4	11.02 - 12.04	61	1399	4	F14S3	CL220	171	PIN-4
	1.4	05.03 - 12.04	69	1399	4	F14D3	CL220	171	PIN-4
Korando (KJ)	2.3	01.99 -	105	2295	4		CL606	218	pencil/PIN-1
	3.2 4x4	01.99 -	156	3199	6	M 104.995	CL606	218	pencil/PIN-1
Korando Cabrio (KJ)	2.0 16V	02.99 -	94	1998	4		CL606	218	pencil/PIN-1
	2.3	02.99 -	105	2295	4		CL606	218	pencil/PIN-1
Lacetti (KLAN)	1.4	02.04 -	70	1399	4	F14D3	CL225	172	DIN-4
	1.6	02.04 -	80	1598	4	F16D3	CL225	172	DIN-4
	1.8	02.04 -	90	1799	4	T18SED	CL220	171	PIN-4
Lanos (KLAT)	1.4	05.97 -	55	1349	4	A14SMS	CL201	164	PIN-4
	1.5	05.97 -	63	1498	4	A15SMS	CL201	164	PIN-4
	1.6 16V	05.97 -	78	1598	4	A16DMS	CL201	164	PIN-4
Lanos Sedan (KLAT)	1.4	05.97 -	55	1349	4	A14SMS	CL201	164	PIN-4
	1.5	05.97 -	63	1498	4	A15SMS/Y15L	CL201	164	PIN-4
	1.6 16V	05.97 -	78	1598	4	A16DMS	CL201	164	PIN-4
Leganza (KLAV)	2.0 16V	06.97 - 12.02	98	1998	4	X 20 SED	CL201	164	PIN-4
	2.0 16V	07.00 -	93	1998	4	T20SED	CL201	164	PIN-4
	2.2 16V	04.99 - 12.02	100	2198	4	T22SED	CL201	164	PIN-4
Matiz (KLYA)	0.8	09.98 -	38	796	3	F8CV	CL204	165	DIN-1
	1.0	01.03 -	47	995	4	B10S	CL220	171	PIN-4
Musso (FJ)	2.3	01.99 -	103	2295	4	M 111.970	CL606	218	pencil/PIN-1
	3.2 4x4	01.99 -	162	3199	6	M 104.992	CL606	218	pencil/PIN-1
Nexia Sedan	1.5	07.08 -	59	1498	4	Y15L	CL211	168	SAE-1
	1.6	07.08 -	80	1598	4	F16D3	CL211	168	SAE-1
Nubira (KLAJ)	1.6 16V	05.97 -	78	1598	4	A16DMS	CL201	164	PIN-4
	1.8	04.97 - 05.99	70	1796	4	C18LE	CL201	164	PIN-4
	2.0 16V	05.97 -	98	1998	4	X 20 SED/Z20L	CL201	164	PIN-4
Nubira Sedan (KLAJ)	1.6 16V	05.97 -	78	1598	4	A16DMS	CL201	164	PIN-4
	1.6 16V	07.00 -	76	1598	4	A16DMS	CL201	164	PIN-4
	1.8	04.97 - 05.99	70	1796	4	C18LE	CL201	164	PIN-4
	2.0 16V	05.97 -	98	1998	4	X 20 SED	CL201	164	PIN-4
Nubira Sedan (KLAN)	1.6	07.03 -	80	1598	4	F16D3	CL225	172	DIN-4
	1.8	07.03 -	90	1799	4	T18SED	CL220	171	PIN-4

CAR	MODEL	YEAR	kW	ccm	CYL	MOTOR	COILTYPE	PAGE	INFO
DAEWOO									
Nubira Wagon (KLAJ)	1.6 16V	06.97 -	66	1598	4		CL201	164	PIN-4
	1.6 16V	05.97 -	78	1598	4	A16DMS	CL201	164	PIN-4
	1.8	04.97 - 05.99	70	1796	4	C18LE	CL201	164	PIN-4
	2.0 16V	05.97 -	98	1998	4	X 20 SED	CL201	164	PIN-4
Nubira Wagon (KLAN)	1.6	07.03 -	80	1598	4	F16D3	CL225	172	DIN-4
	1.8	07.03 -	90	1799	4	T18SED	CL220	171	PIN-4
Rexton (GAB_)	3.2 V6	04.02 -	162	3199	6		CL606	218	pencil/PIN-1
Tacuma (KLAU)	1.8	09.00 -	67	1761	4	F18D2	CL220	171	PIN-4
	1.8	09.00 -	72	1761	4	A18DMS	CL220	171	PIN-4
	1.8	09.00 -	74	1761	4		CL220	171	PIN-4
	2.0	09.01 -	89	1998	4	X 20 SED	CL220	171	PIN-4
	2.0	09.00 -	94	1998	4	T20SED	CL220	171	PIN-4
Tico (KLY3)	0.8	02.95 - 12.00	35	796	3	F8C	CL231	174	DIN-1
	0.8	01.96 - 12.00	38	796	3	F8CV	CL231	174	DIN-1
DAIHATSU									
Applause I (A101, A111)	1.6 16V	07.92 - 07.97	77	1590	4	HD-E	CL907	231	DIN-1
	1.6 16V 4WD	07.92 - 07.97	77	1590	4	HD-E	CL907	231	DIN-1
Copen	1.3	03.06 -	64	1298	4	K3-VE	CL587	210	pencil
Cuore II (L80, L81)	0.8	09.85 - 06.90	32	847	3	ED 10	CL563	204	DIN-1
	0.8	11.89 - 12.90	29	847	3	ED 10	CL563	204	DIN-1
	0.8 4WD	09.86 - 10.88	32	847	3	ED 10	CL563	204	DIN-1
Cuore VIII	1.0	04.07 -	51	998	3	1KR-FE	CL555	201	pencil
Extol Bus (S22_, S23_)	1.3	07.00 -	63	1298	4	K3-VE	CL555	201	pencil
Feroza Hard Top (F300)	1.6 16V	10.88 -	63	1590	4	HDC	CL563	204	DIN-1
	1.6 16V	06.92 -	63	1590	4	HDC	CL907	231	DIN-1
	1.6 i 16V	10.88 -	70	1590	4	HD-E	CL563	204	DIN-1
	1.6 i 16V	01.90 -	70	1590	4	HD-E	CL907	231	DIN-1
Feroza Soft Top (F300)	1.6 16V	10.88 -	63	1590	4	HDC	CL563	204	DIN-1
	1.6 16V	06.92 -	63	1590	4	HDC	CL907	231	DIN-1
	1.6 i 16V	10.88 -	70	1590	4	HD-E	CL563	204	DIN-1
	1.6 i 16V	01.90 -	70	1590	4	HD-E	CL907	231	DIN-1
Charade III (G100, G101, G102)	1.0	03.87 - 12.92	38	993	3	CB 23	CL563	204	DIN-1
	1.0	04.89 - 12.92	41	993	3	CB 90	CL563	204	DIN-1
	1.0	11.90 - 12.92	40	993	3	CB 90	CL563	204	DIN-1
	1.0 GTi	03.87 - 12.92	74	993	3	CB 80 T	CL563	204	DIN-1
	1.3 i	06.88 - 12.92	66	1296	4	HCE	CL563	204	DIN-1
	1.3 i 4WD	06.88 - 01.93	66	1296	4	HCE	CL563	204	DIN-1
Charade III Sedan (G102)	1.3	11.90 - 02.93	66	1296	4	HCE	CL563	204	DIN-1
Charade IV (G200, G202)	1.3	09.96 - 11.99	44	1296	4	HC	CL563	204	DIN-1
	1.3 16V	05.96 - 11.99	55	1296	4	HCE	CL563	204	DIN-1
	1.3 i 16V	01.93 - 11.99	62	1296	4	HC	CL563	204	DIN-1
Materia (M4_)	1.3	10.06 -	67	1298	4	K3-VE	CL587	210	pencil
	1.5	10.06 -	76	1495	4	3S2-VE	CL587	210	pencil
	1.5 Eco 4WD	10.06 -	76	1495	4	3S2-VE	CL587	210	pencil
Sirion (M1)	1.3 Sport	08.00 - 01.05	75	1298	4	K3-VE2	CL555	201	pencil
	1.3 Sport 4WD	08.00 - 01.05	75	1298	4	K3-VE2	CL555	201	pencil
Sirion (M3_)	1.3	01.05 -	64	1298	4	K3-VE	CL587	210	pencil
	1.3	03.08 -	67	1298	4	K3-VE	CL555	201	pencil
	1.3 4WD	04.05 -	64	1298	4	K3-VE	CL587	210	pencil
	1.3 4WD	03.08 -	67	1298	4	K3-VE	CL555	201	pencil
	1.5	03.08 -	76	1495	4	3S2-VE	CL555	201	pencil
Terios (J1)	1.3	09.01 - 10.05	63	1298	4	K3-VE	CL555	201	pencil
	1.3 4WD	10.00 - 10.05	63	1298	4	K3-VE	CL555	201	pencil
Terios (J2_)	1.5	11.05 -	77	1495	4	3S2-VE	CL587	210	pencil
	1.5 4WD	05.06 -	77	1495	4	3S2-VE	CL587	210	pencil
YRV (M2)	1.3	02.01 -	64	1298	4	K3-VE	CL555	201	pencil
	1.3 4WD	02.01 -	64	1298	4	K3-VE	CL555	201	pencil
	1.3 GTi	07.02 -	95	1298	4	K3-VET	CL555	201	pencil
FIAT									
126	0.65	07.77 - 09.87	17	652	2	126 A1.000/126 A1.048	CL316	180	DIN-2

CAR	MODEL	YEAR	kW	ccm	CYL	MOTOR	COILTYPE	PAGE	INFO
FIAT									
126	0.7	09.87 - 06.96	19	704	2	126 A2.000/126 A2.048	CL316	180	DIN-2
500	1.2	10.07 -	51	1242	4	169 A4.000	CL309	178	PIN-4
	1.4	10.07 -	74	1368	4	169 A3.000	CL310	178	pencil
	1.4 Abarth	08.08 -	99	1368	4	312 A1.000	CL323	181	pencil
	1.4 Abarth	08.08 -	118	1368	4	312 A1.000	CL324	181	pencil
	1.4 Abarth	08.08 -	132	1368	4	312 A3.000	CL324	181	pencil
	1.4 Abarth	08.08 -	140	1368	4		CL324	181	pencil
500 C	1.2	09.09 -	51	1242	4	169 A4.000	CL309	178	PIN-4
	1.4	09.09 -	74	1368	4	169 A3.000	CL310	178	pencil
Barchetta (183)	1.8 16V	04.95 - 07.99	96	1747	4	183 A1.000/188 A6.000	CL314	179	pencil
	1.8 16V	07.99 -	96	1747	4	183 A1.000/188 A6.000	CL315	179	pencil
Brava (182)	1.2 16V 80	12.98 - 10.00	60	1242	4	182 B2.000	CL302	175	PIN-4
	1.2 16V 80	10.00 - 10.01	59	1242	4	188 A5.000	CL302	175	PIN-4
	1.4	10.95 - 10.01	55	1370	4	182 A5.000	CL302	175	PIN-4
	1.4 12V	10.95 - 08.98	59	1370	4	182 A3.000	CL302	175	PIN-4
	1.6 16V	10.95 - 10.01	66	1581	4	182 A6.000	CL312	178	PIN-4
	1.6 16V	02.96 - 10.01	76	1581	4	182 A4.000	CL312	178	PIN-4
	1.8 GT 16V	10.95 - 06.98	83	1747	4	182 A2.000	CL314	179	pencil
	1.8 GT 16V	06.98 - 10.01	83	1747	4	182 A2.000	CL315	179	pencil
Bravo I (182)	1.2 16V 80	12.98 - 10.00	60	1242	4	182 B2.000	CL302	175	PIN-4
	1.2 16V 80	10.00 - 10.01	59	1242	4	188 A5.000	CL302	175	PIN-4
	1.4	10.95 - 10.01	55	1370	4	182 A5.000	CL302	175	PIN-4
	1.4	10.95 - 10.01	59	1370	4	182 A3.000	CL302	175	PIN-4
	1.6 16V	10.95 - 10.01	66	1581	4	182 A6.000	CL312	178	PIN-4
	1.6 16V	03.96 - 10.01	76	1581	4	182 A4.000	CL312	178	PIN-4
	1.8 GT	10.95 - 06.98	83	1747	4	182 A2.000	CL314	179	pencil
	1.8 GT	06.98 - 10.01	83	1747	4	182 A2.000	CL315	179	pencil
	2.0 HGT 20V	10.95 - 07.98	108	1998	5	182 A1.000	CL317	180	pencil
	2.0 HGT 20V	07.98 - 10.01	113	1998	5	182 B7.000	CL318	180	pencil
Bravo II (198)	1.4	04.07 -	66	1368	4	192 B2.000	CL310	178	pencil
	1.4 16V	03.08 -	103	1368	4	198 A7.000	CL323	181	pencil
	1.4 T-Jet	09.07 -	88	1368	4	198 A4.000	CL323	181	pencil
	1.4 T-Jet	09.07 -	110	1368	4	198 A1.000	CL323	181	pencil
Cinquecento (170)	0.7	12.91 - 01.96	23	704	2	170 A.000	CL300	174	DIN-2
	0.7 i	07.94 - 01.98	22	704	2	170 A.046	CL300	174	DIN-2
	0.9	07.91 - 12.93	30	903	4	170 A1.000	CL300	174	DIN-2
	0.9 i.e.	07.91 - 12.93	30	903	4	170 A1.046	CL300	174	DIN-2
	0.9 i.e. S	07.91 - 07.99	29	899	4	1170 A1.000/1170 A1.046	CL300	174	DIN-2
	1.1 Sporting	10.94 - 01.98	40	1108	4	176 B2.000	CL300	174	DIN-2
Coupe (FA/175)	1.8 16V	03.96 - 08.00	96	1747	4	183 A1.000	CL314	179	pencil
							CL315	179	pencil
	2.0 16V Turbo	11.93 - 08.96	140	1995	4	175 A1.000	CL300	174	DIN-2
	2.0 20V	08.96 - 04.98	108	1998	5	182 A1.000	CL317	180	pencil
	2.0 20V	04.98 - 08.00	113	1998	5	182 B3.000	CL318	180	pencil
	2.0 20V Turbo	08.96 - 08.00	162	1998	5	175 A3.000	CL317	180	pencil
Croma (154)	2.0 16V	08.92 - 08.96	101	1995	4	154 E1.000	CL302	175	PIN-4
	2.0 CHT	12.85 - 02.89	66	1995	4	154 A1.000	CL303	176	DIN-1
	2.0 CHT	07.88 - 02.89	66	1995	4	154 A1.000	CL313	179	DIN-1
	2.0 i.e.	03.86 - 09.90	83	1995	4	834 B.048	CL303	176	DIN-1
	2.0 i.e.	03.87 - 09.92	88	1995	4	834 B.000/154 C3.000	CL313	179	DIN-1
	2.0 i.e.	10.87 - 08.96	85	1995	4	154 C3.046/834 B.146	CL313	179	DIN-1
Croma (194)	1.8 16V	12.05 -	103	1796	4	939 A4.000	CL221	171	rail
	2.2 16V	06.05 -	108	2198	4	194 A1.000	CL224	172	rail
Doblo (119)	1.2	03.01 -	48	1242	4	223 A5.000	CL300	174	DIN-2
	1.4	10.05 -	57	1368	4	350 A1.000	CL309	178	PIN-4
	1.6 16V	10.01 -	76	1596	4	182 B6.000	CL301	175	pencil
	1.6 Natural Power	09.02 -	76	1596	4	182 B6.000	CL312	178	PIN-4
Doblo (152)	1.4	02.10 -	70	1368	4	843 A1.000	CL310	178	pencil
Doblo Cargo (223)	1.2	03.01 -	48	1242	4	223 A5.000	CL300	174	DIN-2
	1.4	10.05 -	57	1368	4	350 A1.000	CL309	178	PIN-4

CAR	MODEL	YEAR	kW	ccm	CYL	MOTOR	COILTYPE	PAGE	INFO						
FIAT															
Doblo Cargo (223)	1.6 16V	10.01 -	76	1596	4	182 B6.000	CL301	175	pencil						
	1.6 Natural Power	09.02 -	76	1596	4	182 B6.000	CL312	178	PIN-4						
Doblo Cargo (263)	1.4	02.10 -	70	1368	4	843 A1.000	CL310	178	pencil						
Ducato Bus (230)	2.0 Panorama	03.94 - 04.02	80	1998	4	RFW	CL107	147	PIN-1						
							CL129	158	SAE-1						
Ducato Bus (244, Z_)	2.0	04.02 -	81	1998	4	RFL	CL107	147	PIN-1						
	2.0 Bipower	11.02 -	81	1998	4	RFL	CL107	147	PIN-1						
Ducato Flatbed (230)	2.0	06.98 - 04.02	80	1998	4	RFW	CL107	147	PIN-1						
Ducato Van (230L)	2.0	03.94 - 04.02	80	1998	4	RFW	CL107	147	PIN-1						
							CL129	158	SAE-1						
Ducato Van (244)	2.0	04.02 -	81	1998	4	RFL	CL107	147	PIN-1						
	2.0 Bipower	11.02 -	81	1998	4	RFL	CL107	147	PIN-1						
Ducato Van (250)	3.0 Natural Power	04.09 -	100	2999	4	F1CE0441A	CL310	178	pencil						
Duna 60 (146 B)	1.1	01.87 - 12.91	43	1116	4	146 A6.000	CL308	177	DIN-1						
Duna 60 Weekend (146 B)	1.1	01.87 - 12.91	43	1116	4	146 A6.000	CL308	177	DIN-1						
Duna 70 (146 B)	1.3	01.87 - 12.91	49	1301	4	146 A5.000	CL308	177	DIN-1						
Duna 70 Weekend (146 B)	1.3	01.87 - 12.91	49	1301	4	146 A5.000	CL308	177	DIN-1						
Elba (146_)	1.5	01.92 - 12.96	55	1499	4	149 C1.000	CL308	177	DIN-1						
Fiorino (127)	1.05	01.80 - 12.87	37	1049	4	127 A.000	CL308	177	DIN-1						
Fiorino (147)	1.0	01.80 - 12.87	37	1049	4	127 A.000	CL308	177	DIN-1						
							1.3	12.87 - 08.93	49	1288	4	146 A5.000	CL308	177	DIN-1
Fiorino 60 Van (146 Uno)	1.1	05.88 - 12.93	40	1116	4	146 A9.000	CL308	177	DIN-1						
Fiorino 70 Van (146 Uno)	1.3	01.88 - 12.94	49	1301	4	146 A5.000	CL308	177	DIN-1						
							1.4 i.e.	05.94 - 10.96	49	1372	4	146 C5.000/146 D5.000	CL313	179	DIN-1
							1.4 i.e.	11.96 - 05.01	49	1372	4	146 C5.000/146 D5.000	CL302	175	PIN-4
Fiorino 75 Van (146 Uno)	1.5 i.e.	05.88 - 12.93	55	1499	4	149 C1.000	CL313	179	DIN-1						
							1.6 i.e.	10.93 - 05.01	55	1581	4	146 D6.000/146 C6.000	CL302	175	PIN-4
							CL313	179	DIN-1						
Fiorino Pick Up (146)	1.3	01.88 - 12.94	49	1301	4	146 A5.000	CL308	177	DIN-1						
							1.4	05.94 - 09.00	49	1372	4	146 D5.000	CL313	179	DIN-1
							1.4	05.94 - 05.01	49	1372	4	146 D5.000	CL302	175	PIN-4
							1.6	01.94 - 05.01	55	1581	4	146 D6.000/146 C6.000	CL313	179	DIN-1
Fiorino Van/Combi (225)	1.4 Natural Power	10.09 -	57	1368	4	350 A1.000	CL309	178	PIN-4						
Idea	1.2 16V	01.04 -	59	1242	4	188 A5.000	CL310	178	pencil						
	1.4	10.05 -	57	1368	4	350 A1.000	CL309	178	PIN-4						
	1.4 16V	01.04 -	70	1368	4	843 A1.000	CL310	178	pencil						
Linea (323)	1.4	06.07 -	57	1368	4	350 A1.000	CL309	178	PIN-4						
	1.4T-Jet	09.07 -	88	1368	4	198 A4.000	CL323	181	pencil						
Marea (185)	1.2 16V	10.98 -	60	1242	4	182 B2.000	CL302	175	PIN-4						
Marea Weekend (185)	1.2 16V	10.98 -	60	1242	4	182 B2.000	CL302	175	PIN-4						
Marea 80 (185)	1.4 12V	09.96 -	59	1370	4	182 A3.000	CL302	175	PIN-4						
Marea 80 Weekend (185)	1.4 12V	09.96 -	59	1370	4	182 A3.000	CL302	175	PIN-4						
Marea 100 (185)	1.6 16V	09.96 -	76	1581	4	182 A4.000	CL312	178	PIN-4						
	1.6 16V Bipower	04.99 -	76	1581	4	186 A4.000/185 A3.000	CL312	178	PIN-4						
Marea 100 Weekend (185)	1.6 16V	09.96 -	76	1581	4	182 A4.000	CL312	178	PIN-4						
Marea 115 (185)	1.8 16V	09.96 - 06.99	83	1747	4	182 A2.000	CL314	179	pencil						
	1.8 16V	06.99 -	83	1747	4	182 A2.000	CL315	179	pencil						
Marea 115 Weekend (185)	1.8 16V	09.96 - 06.99	83	1747	4	182 A2.000	CL314	179	pencil						
							CL315	179	pencil						
Marea 150 (185)	2.0 20V	09.96 - 04.99	108	1998	5	182 A1.000	CL317	180	pencil						
	2.0 20V	01.01 -	110	1998	5	185 A8.000	CL318	180	pencil						
Marea 150 Weekend (185)	2.0 20V	09.96 - 04.99	108	1998	5	182 A1.000	CL317	180	pencil						
							2.0 20V	01.01 -	110	1998	5	185 A8.000	CL318	180	pencil
Marea 155 (185)	2.0 20V	04.99 - 01.01	113	1998	5	182 B7.000	CL318	180	pencil						
							2.0 20V	04.99 - 01.01	113	1998	5	182 B7.000	CL318	180	pencil
Multipla (186)	1.6	09.00 -	76	1596	4	182 B6.000	CL312	178	PIN-4						
	1.6 16V	04.02 - 12.10	70	1596	4	182 B6.000	CL312	178	PIN-4						
	1.6 16V Bipower	04.99 -	76	1581	4	186 A4.000	CL312	178	PIN-4						
	1.6 16V Bipower	10.01 -	76	1596	4	182 B6.000	CL312	178	PIN-4						
	1.6 16V Blupower	04.99 -	70	1581	4	186 A3.000	CL312	178	PIN-4						

CAR	MODEL	YEAR	kW	ccm	CYL	MOTOR	COILTYPE	PAGE	INFO
FIAT									
Multipla 100 (186)	1.6 16V	04.99 -	76	1581	4	182 A4.000	CL312	178	PIN-4
Palio (178BX)	1.0	04.96 -	45	994	4		CL300	174	DIN-2
	1.0	04.96 -	56	994	4		CL300	174	DIN-2
	1.2	06.98 -	54	1242	4	178 B5.000/178 E2.000/176 A8.000	CL300	174	DIN-2
	1.4	04.96 -	51	1372	4	178 B2.000	CL300	174	DIN-2
	1.4 cat	04.96 -	51	1372	4	178 B2.016	CL300	174	DIN-2
	1.5	04.96 - 09.02	57	1497	4		CL300	174	DIN-2
	1.6 16V	04.96 -	74	1581	4	178 B3.000	CL312	178	PIN-4
Palio Weekend (178DX)	1.2	04.96 - 02.01	54	1242	4	178 B5.000	CL300	174	DIN-2
	1.2	02.01 -	44	1242	4	178 C4.066/188 A4.000	CL300	174	DIN-2
	1.6 16V	04.96 - 02.01	74	1581	4	178 B3.000	CL312	178	PIN-4
	1.6 16V	02.01 -	76	1596	4	182 B6.000	CL301	175	pencil
							CL312	178	PIN-4
Panda (141A_)	0.65	01.82 - 07.04	22	652	2	141 A.000	CL316	180	DIN-2
	0.75	01.86 - 01.95	25	770	4	156 A4.000	CL308	177	DIN-1
	0.75	01.86 - 01.95	25	770	4	141 B.000	CL308	177	DIN-1
	0.9	04.92 - 12.96	29	899	4	1170 A1.046	CL300	174	DIN-2
	1.0	01.85 - 12.92	37	999	4	156 A3.000	CL304	176	DIN-1
	1.0 4x4	01.86 - 12.92	37	999	4	156 A3.000	CL304	176	DIN-1
	1.0 i.e. cat	10.87 - 08.98	33	999	4	141 C2.000/156 A2.246	CL300	174	DIN-2
	1.1	05.91 - 12.99	37	1108	4	156 C.046	CL300	174	DIN-2
							CL304	176	DIN-1
	1.1	02.95 - 09.03	40	1108	4	187 A1.000/176 B2.000	CL300	174	DIN-2
	1.1 4x4	02.95 - 07.04	40	1108	4	176 B2.000	CL300	174	DIN-2
	1.1 Trekking 4x4	10.91 - 07.04	37	1108	4	156 C.046	CL300	174	DIN-2
							CL304	176	DIN-1
Panda (169)	1.1	09.03 -	40	1108	4	187 A1.000	CL300	174	DIN-2
	1.2	09.03 -	44	1242	4	188 A4.000	CL300	174	DIN-2
	1.2 4x4	10.04 -	44	1242	4	188 A4.000	CL300	174	DIN-2
	1.2 Bi-Power / Natural Power	01.07 -	44	1242	4	188 A4.000	CL300	174	DIN-2
	1.2 LPG	04.09 -	44	1242	4	188 A4.000	CL300	174	DIN-2
	1.4	10.06 -	74	1368	4	169 A3.000	CL310	178	pencil
Panda Van (141_)	0.75	01.86 - 07.92	25	764	4	141 B.000	CL308	177	DIN-1
	1.0 i.e	08.92 - 02.04	33	999	4	156 A2.246	CL300	174	DIN-2
Panda Van (169)	1.2	09.04 -	44	1242	4	188 A4.000	CL300	174	DIN-2
	1.2 4x4	09.04 -	44	1242	4	188 A4.000	CL300	174	DIN-2
Punto (176)	1.4 GT Turbo	01.94 - 09.96	98	1372	4	176 A4.000	CL302	175	PIN-4
	1.4 GT Turbo	09.96 - 09.99	96	1372	4	176 B6.000	CL302	175	PIN-4
Punto (188)	1.4	09.03 -	70	1368	4	843 A1.000	CL310	178	pencil
Punto / Grande Punto (199)	1.2	10.05 -	48	1242	4	199 A4.000	CL309	178	PIN-4
	1.4	10.05 -	57	1368	4	350 A1.000	CL309	178	PIN-4
	1.4 16V	10.05 -	70	1368	4	199 A6.000	CL310	178	pencil
	1.4 Abarth	12.07 -	114	1368	4	199 A8.000	CL323	181	pencil
	1.4 T-Jet	09.07 -	88	1368	4	198 A4.000	CL323	181	pencil
Punto 55 (176)	1.1	09.93 - 09.99	40	1108	4	176 A6.000/176 B2.000	CL300	174	DIN-2
Punto 60 (176)	1.2	01.94 - 09.99	43	1242	4	176 A7.000	CL300	174	DIN-2
	1.2	03.94 - 09.99	44	1242	4	176 B1.000/176 B4.000	CL300	174	DIN-2
Punto 60 (188)	1.2	09.99 -	44	1242	4	188 A4.000	CL300	174	DIN-2
	1.2 Natural Power	09.03 -	44	1242	4	188 A4.000	CL300	174	DIN-2
Punto 60 Cabriolet (176C)	1.2	04.94 - 06.00	43	1242	4	176 A7.000	CL300	174	DIN-2
	1.2	05.95 - 06.00	44	1242	4	176 B1.000/176 B4.000	CL300	174	DIN-2
Punto 60 Van (188AX)	1.2	02.00 -	44	1242	4	188 A4.000	CL300	174	DIN-2
Punto 75 (176)	1.2	10.93 - 09.99	54	1242	4	176 A8.000	CL300	174	DIN-2
Punto 80 (188)	1.2 16V	09.99 -	59	1242	4	188 A5.000	CL302	175	PIN-4
Punto 85 (176)	1.2 16V	04.97 - 09.99	63	1242	4	176 B9.000	CL300	174	DIN-2
Punto 85 Cabriolet (176C)	1.2 16V	04.97 - 06.00	63	1242	4	176 B9.000	CL300	174	DIN-2
Punto 130 (188)	1.8 HGT	09.99 -	96	1747	4	183 A1.000/188 A6.000	CL315	179	pencil
Punto Evo	1.2	10.09 -	48	1242	4	199 A4.000	CL309	178	PIN-4
	1.4	10.09 -	57	1368	4	350 A1.000	CL309	178	PIN-4
	1.4 16V	10.09 -	77	1368	4	955 A6.000	CL324	181	pencil

CAR	MODEL	YEAR	kW	ccm	CYL	MOTOR	COILTYPE	PAGE	INFO	
FIAT										
Punto Van (176L)	1.1	04.96 - 02.00	40	1108	4	176 B2.000	CL300	174	DIN-2	
Regata 75 (138)	1.5 i.e.	10.85 - 07.89	55	1498	4	149 C1.000/138 C2.048	CL303	176	DIN-1	
	1.5 i.e.	07.86 - 07.89	55	1498	4	149 C1.000/138 C2.048	CL313	179	DIN-1	
Regata 75 Weekend	1.5 i.e. cat	12.86 - 07.89	55	1498	4	138 C2.048	CL303	176	DIN-1	
Ritmo I 70 (138A)	1.3	11.83 - 08.85	48	1301	4	149 A3.000/149 A7.000	CL308	177	DIN-1	
Ritmo I 75 (138A)	1.5 i.e.	10.85 - 05.87	55	1498	4	149 C1.000/138 C2.048	CL308	177	DIN-1	
Ritmo II 75 (138A)	1.5	09.85 - 12.88	55	1498	4	138 A2.000	CL308	177	DIN-1	
	1.5 cat	09.85 - 12.88	55	1498	4	149 C1.000/138 C2.048	CL308	177	DIN-1	
Scudo Combinato (220P)	1.6	02.96 -	58	1581	4	220 A 2.000	CL302	175	PIN-4	
	2.0 16V	06.00 -	100	1997	4	RFN	CL112	150	rail	
Scudo Van (220L)	1.6	02.96 -	58	1581	4	220 A 2.000	CL302	175	PIN-4	
	2.0	05.00 -	100	1997	4	RFN	CL112	150	rail	
Sedici	1.6 16V	06.06 -	79	1586	4	M16A	CL561	203	pencil/DIN-1	
	1.6 16V	06.06 -	88	1586	4	M16A	CL561	203	pencil/DIN-1	
	1.6 16V 4x4	06.06 -	79	1586	4	M16A	CL561	203	pencil/DIN-1	
	1.6 16V 4x4	06.06 -	88	1586	4	M16A	CL561	203	pencil/DIN-1	
Seicento (187)	0.9	01.98 -	29	899	4	1170 A1.046	CL300	174	DIN-2	
	1.1	01.98 -	40	1108	4	187 A1.000/176 B2.000	CL300	174	DIN-2	
Siena (178 _)	1.2	09.98 -	54	1242	4	178 B5.000	CL300	174	DIN-2	
	1.4	04.96 -	51	1372	4	178 B2.000	CL300	174	DIN-2	
	1.4 cat	04.96 -	51	1372	4	178 B2.016	CL300	174	DIN-2	
	1.6 16V	09.98 -	78	1581	4	178 B3.000	CL312	178	PIN-4	
Stilo (192)	1.2 16V	02.02 -	59	1242	4	188 A5.000	CL310	178	pencil	
	1.4 16V	01.04 -	70	1368	4	843 A1.000	CL310	178	pencil	
	1.4 16V	03.05 -	66	1368	4	192 B2.000	CL310	178	pencil	
	1.6 16V	10.01 -	76	1596	4	182 B6.000	CL301	175	pencil	
	1.6 16V	05.05 -	77	1598	4	192 B30	CL221	171	rail	
	1.8 16V	10.01 -	98	1747	4	192 A4.000	CL315	179	pencil	
	2.4 20V	10.01 -	125	2446	5	192 A2.000	CL311	178	pencil	
	1.4 16V	01.04 -	70	1368	4	843 A1.000	CL310	178	pencil	
Stilo Multi Wagon (192)	1.4 16V	03.05 -	66	1368	4	192 B2.000	CL310	178	pencil	
	1.6 16V	01.03 -	76	1596	4	182 B6.000	CL301	175	pencil	
	1.8 16V	01.03 -	98	1747	4	192 A4.000	CL315	179	pencil	
	1.2	06.99 -	54	1242	4	178 B5.000	CL300	174	DIN-2	
Strada (178E)	1.2	04.03 -	44	1242	4	188 A4.000	CL300	174	DIN-2	
	1.4 i.e.	03.92 - 02.95	51	1372	4	836 A4.000/160 A1.046	CL313	179	DIN-1	
Tempra (159)	1.4 i.e.	03.95 - 08.96	51	1372	4	836 A4.000/160 A1.046	CL302	175	PIN-4	
	1.6	03.90 - 04.93	63	1581	4	159 A3.000	CL313	179	DIN-1	
	1.6 i.e.	06.90 - 07.92	57	1581	4	159 A3.046	CL313	179	DIN-1	
	1.6 i.e.	06.92 - 08.96	55	1581	4	835 C1.000	CL302	175	PIN-4	
	1.6 i.e.	06.92 - 08.96	55	1581	4	159 A3.048	CL313	179	DIN-1	
	1.8 i.e.	09.93 - 08.96	66	1756	4	835 C4.000	CL300	174	DIN-2	
	1.8 i.e.	09.93 - 08.96	76	1756	4	835 C2.000	CL300	174	DIN-2	
	1.8 i.e.	10.94 - 08.96	74	1756	4	836 A5.000	CL300	174	DIN-2	
	Tempra S.W. (159)	1.4 i.e.	10.92 - 08.96	51	1372	4	836 A4.000	CL302	175	PIN-4
		1.4 i.e.	10.92 - 08.96	51	1372	4	160 A1.046	CL313	179	DIN-1
1.6		12.90 - 04.93	63	1581	4	159 A3.000	CL313	179	DIN-1	
1.6 i.e.		10.90 - 08.96	57	1581	4	159 A3.046/835 C1.000	CL313	179	DIN-1	
1.6 i.e.		10.92 - 08.96	55	1581	4	835 C1.000	CL302	175	PIN-4	
1.6 i.e.		10.92 - 08.96	55	1581	4	159 A3.048	CL313	179	DIN-1	
1.8 i.e.		09.93 - 08.96	66	1756	4	835 C4.000	CL300	174	DIN-2	
1.8 i.e.		09.93 - 08.96	76	1756	4	835 C2.000	CL300	174	DIN-2	
1.8 i.e.		10.94 - 08.96	74	1756	4	836 A5.000	CL300	174	DIN-2	
Tipo (160)		1.1	01.88 - 10.91	41	1108	4	160 A3.000	CL304	176	DIN-1
	1.4	07.87 - 12.89	52	1372	4	160 A1.000	CL304	176	DIN-1	
	1.4	07.87 - 12.89	52	1372	4	160 A1.048	CL313	179	DIN-1	
	1.4 i.e.	05.89 - 04.95	51	1372	4	836 A4.000	CL302	175	PIN-4	
	1.4 i.e.	05.89 - 04.95	51	1372	4	836 A4.000/160 A1.046	CL304	176	DIN-1	
	1.4 i.e.	05.89 - 04.95	51	1372	4	160 A1.046	CL313	179	DIN-1	
	1.4 i.e.	05.89 - 04.95	51	1372	4	159 A2.000	CL304	176	DIN-1	
	1.4 i.e.	05.89 - 04.95	57	1372	4	159 A2.000	CL304	176	DIN-1	

CAR	MODEL	YEAR	kW	ccm	CYL	MOTOR	COILTYPE	PAGE	INFO
FIAT									
Tipo (160)	1.6	01.88 - 10.91	61	1581	4	160 A2.000	CL313	179	DIN-1
	1.6 i.e.	07.90 - 01.93	57	1581	4	159 A3.046	CL313	179	DIN-1
	1.6 i.e.	10.92 - 04.95	55	1581	4	835 C1.000	CL302	175	PIN-4
	1.6 i.e.	10.92 - 04.95	55	1581	4	159 A3.048	CL313	179	DIN-1
	1.8 i.e.	03.93 - 04.95	71	1756	4	836 A5.000	CL300	174	DIN-2
	1.8 i.e.	04.93 - 04.95	76	1756	4	835 C2.000	CL300	174	DIN-2
	1.8 i.e.	09.93 - 04.95	66	1756	4	835 C4.000	CL300	174	DIN-2
	1.8 i.e.	10.94 - 04.95	74	1756	4	159 A4.000	CL300	174	DIN-2
Ulysse (179AX)	2.0	08.02 -	100	1997	4	RFN(EW10J4)	CL112	150	rail
	3.0V6	08.02 -	150	2946	6	XFW	CL135	159	pencil
Ulysse (220)	1.8	05.97 - 08.02	73	1761	4	LFW	CL107	147	PIN-1
	2.0	06.94 - 08.02	89	1998	4	RFU (XU10J2C)	CL107	147	PIN-1
	2.0 16V	09.00 - 08.02	100	1997	4	RFN	CL112	150	rail
	2.0 Turbo	06.94 - 08.02	108	1998	4	RGX (XU10J2CTE)	CL107	147	PIN-1
Uno 45 (146A/E)	1.0	06.86 - 12.87	32	999	4	156 A2.048/156 A2.100	CL308	177	DIN-1
	1.0	01.88 - 12.93	32	999	4	156 A2.048/156 A2.100	CL304	176	DIN-1
	1.0 i.e.	04.84 - 12.87	33	999	4	156 A2.246	CL308	177	DIN-1
	1.0 i.e.	01.88 - 10.95	33	999	4	156 A2.246	CL304	176	DIN-1
Uno 50 (146A/E)	1.1 i.e.	06.92 - 12.93	36	1116	4	146 C3.000	CL304	176	DIN-1
Uno 60 (146A/E)	1.1	04.89 - 12.92	42	1108	4	160 A3.000	CL304	176	DIN-1
	1.1	05.85 - 12.87	43	1116	4	146 A4.048	CL308	177	DIN-1
	1.1	01.88 - 08.89	43	1116	4	146 A4.048	CL304	176	DIN-1
Uno 70 (146A/E)	1.4 i.e.	09.89 - 12.93	51	1372	4	160 A1.046	CL313	179	DIN-1
	1.4 S	09.89 - 10.92	52	1372	4	160 A1.048	CL313	179	DIN-1
Uno 75 (146A/E)	1.5 i.e.	10.85 - 12.93	55	1499	4	138 C2.048	CL303	176	DIN-1
	1.5 i.e.	01.86 - 12.89	55	1499	4	138 C2.048	CL308	177	DIN-1
	1.5 i.e.	10.85 - 12.93	55	1499	4	149 C1.000	CL313	179	DIN-1
	1.5 i.e.	10.89 - 12.93	55	1499	4	149 C1.000	CL304	176	DIN-1
FORD									
C-Max	1.6	02.07 -	74	1596	4	SHDA/HWDB/SHDB/HWDA/SHDC	CL403	184	PIN-4
	1.6	12.10 -	77	1596	4	IQDB/IQDA	CL403	184	PIN-4
	1.6	12.10 -	92	1596	4	PNDA	CL403	184	PIN-4
	1.8	02.07 -	92	1798	4	QQDA/QQDB	CL405	185	pencil
	1.8 Flexifuel	02.07 -	92	1798	4	Q7DA	CL405	185	pencil
	2.0	02.07 -	107	1999	4	AODA/AODB/SYDA/AODE	CL405	185	pencil
	2.0 CNG	04.09 -	107	1999	4	SYDA	CL405	185	pencil
	2.0 LPG	06.08 -	107	1999	4	SYDA	CL405	185	pencil
Cougar (EC)	2.0 16V	08.98 - 12.01	96	1988	4	EDBB/EDBC/EDBD/EDBA	CL401	183	PIN-4
							CL409	186	PIN-4
	2.5 ST 200	01.00 - 12.01	151	2495	6	SGA	CL408	186	Ford-6
	2.5 V6 24V	08.98 - 12.01	125	2544	6	LCBA	CL408	186	Ford-6
	2.5 V6 24V	06.00 - 12.01	125	2495	6	LCBC/LCBB/LCBE	CL408	186	Ford-6
Escort,86 Express (AVF)	1.3	02.86 - 07.90	44	1297	4	JLA/JBB/JLB	CL400	182	Ford-4
	1.3	07.88 - 07.90	46	1297	4	JBA	CL400	182	Ford-4
Escort,91 Express (AVL)	1.4	07.90 - 12.94	52	1391	4	F6F/F6G	CL400	182	Ford-4
Escort,95 Express (AVL)	1.4	01.95 -	54	1391	4	F4B	CL400	182	Ford-4
Escort Classic (AAL, ABL)	1.6 16V	10.98 - 07.00	66	1597	4	L1E	CL400	182	Ford-4
Escort Classic Turnier (ANL)	1.6 16V	02.99 - 07.00	66	1597	4	L1E	CL400	182	Ford-4
Escort IV (GAF, AWF, ABFT)	1.3	07.88 - 10.90	46	1297	4	JBA	CL400	182	Ford-4
	1.6 i	08.89 - 07.90	75	1597	4	LJB	CL400	182	Ford-4
	1.6 XR3i	01.86 - 08.89	77	1597	4	LRB/LR2	CL400	182	Ford-4
Escort IV Cabriolet (ALF)	1.6 i	08.89 - 07.90	75	1597	4	LJB	CL400	182	Ford-4
Escort IV Combi (AWF, AVF)	1.3	01.86 - 07.90	44	1297	4	JLA/JBB/JLB	CL400	182	Ford-4
Escort V (GAL)	1.4	07.90 - 09.92	52	1392	4	F6F/F6G	CL400	182	Ford-4
	1.6	07.90 - 12.92	77	1598	4	LJF	CL400	182	Ford-4
	1.8 16V XR3i	02.92 - 12.92	77	1796	4	RDA	CL400	182	Ford-4
	1.8 16V XR3i	02.92 - 12.92	96	1796	4	RQB	CL400	182	Ford-4
	2.0 RS	05.91 - 12.92	110	1998	4	N7A	CL404	185	pencil/Ford-1
Escort V Cabriolet (ALL)	1.4	07.90 - 12.92	52	1392	4	F6F/F6G	CL400	182	Ford-4
	1.6	07.90 - 12.92	77	1598	4	LJF	CL400	182	Ford-4

CAR	MODEL	YEAR	kW	ccm	CYL	MOTOR	COILTYPE	PAGE	INFO	
FORD										
Escort V Cabriolet (ALL)	1.8 16V XR3i	02.92 - 12.92	77	1796	4	RDA	CL400	182	Ford-4	
	1.8 16V XR3i	02.92 - 12.92	96	1796	4	RQB	CL400	182	Ford-4	
Escort V Combi (GAL, AVL)	1.4	07.90 - 09.92	52	1392	4	F6F/F6G	CL400	182	Ford-4	
	1.6	07.90 - 09.92	77	1598	4	LJF	CL400	182	Ford-4	
	1.8 16V	02.92 - 12.92	77	1796	4	RDA	CL400	182	Ford-4	
Escort VI (GAL)	1.3	09.92 - 01.95	44	1299	4	J6A/J4B	CL400	182	Ford-4	
	1.4	09.92 - 01.95	52	1391	4	F6F/F6G	CL400	182	Ford-4	
	1.4	01.94 - 01.95	55	1391	4	F4B/FUH	CL400	182	Ford-4	
	1.6 i 16V	09.92 - 01.95	66	1597	4	L1E	CL400	182	Ford-4	
	1.6 i 16V	01.94 - 01.95	65	1597	4	L1H	CL400	182	Ford-4	
	1.8 16V XR3i	09.92 - 01.95	96	1796	4	RQB	CL400	182	Ford-4	
	1.8 16V XR3i 4x4	08.93 - 01.95	77	1796	4	RDA	CL400	182	Ford-4	
	1.8 16V XR3i 4x4	08.93 - 01.95	96	1796	4	RQB	CL400	182	Ford-4	
	1.8 i 16V	09.92 - 01.95	77	1796	4	RDA	CL400	182	Ford-4	
	2.0 RS	09.92 - 01.95	110	1998	4	N7A	CL404	185	pencil/Ford-1	
2.0 RS 4x4	08.93 - 01.95	110	1998	4	N7A	CL404	185	pencil/Ford-1		
Escort VI Cabriolet (ALL)	1.4	12.92 - 04.94	52	1392	4	F6F/F6G	CL400	182	Ford-4	
	1.4 i	07.93 - 01.95	55	1391	4	F4B	CL400	182	Ford-4	
	1.6 16V XR3i	12.92 - 01.95	66	1597	4	L1E	CL400	182	Ford-4	
	1.6 i 16V	02.94 - 01.95	65	1597	4	L1H	CL400	182	Ford-4	
	1.8 16V XR3i	12.92 - 01.95	77	1796	4	RDA	CL400	182	Ford-4	
	1.8 16V XR3i	12.92 - 01.95	96	1796	4	RQB	CL400	182	Ford-4	
Escort VI Combi (GAL)	1.3	09.92 - 01.95	44	1299	4	J6A/J4B	CL400	182	Ford-4	
	1.4	09.92 - 01.94	52	1391	4	F6F/F6G	CL400	182	Ford-4	
	1.4	01.94 - 01.95	55	1391	4	F4B/FUH	CL400	182	Ford-4	
	1.6 i 16V	01.94 - 01.95	65	1597	4	L1H	CL400	182	Ford-4	
	1.6 i 16V	09.92 - 01.95	66	1597	4	L1E	CL400	182	Ford-4	
	1.8 i 16V	01.93 - 01.95	77	1796	4	RDA	CL400	182	Ford-4	
	1.8 i 16V	02.93 - 01.95	96	1796	4	RQB	CL400	182	Ford-4	
	1.8 i 16V	02.93 - 01.95	96	1796	4	RQB	CL400	182	Ford-4	
Escort VI Sedan (GAL)	1.3	08.93 - 01.95	44	1299	4	J6A/J4B	CL400	182	Ford-4	
	1.4	08.93 - 04.94	52	1392	4	F6F/F6G	CL400	182	Ford-4	
	1.4	08.93 - 01.95	55	1391	4	F4B/FUH	CL400	182	Ford-4	
	1.6 i 16V	01.94 - 01.95	65	1597	4	L1H	CL400	182	Ford-4	
	1.6 i 16V	08.93 - 01.95	66	1597	4	L1E/L1K	CL400	182	Ford-4	
	1.8 i 16V	08.93 - 01.95	77	1796	4	RDA	CL400	182	Ford-4	
Escort VII (GAL, AAL, ABL)	1.3	01.95 - 08.98	44	1299	4	J6A/J4B	CL400	182	Ford-4	
	1.3	09.98 - 10.98	44	1299	4	J6A/J4B	CL401	183	PIN-4	
							CL409	186	PIN-4	
	1.4	01.95 - 10.98	55	1391	4	F4B	CL400	182	Ford-4	
	1.6 16V	01.95 - 10.98	66	1597	4	L1E	CL400	182	Ford-4	
	1.6 16V 4x4	01.95 - 10.98	66	1597	4	L1E	CL400	182	Ford-4	
	1.6 i 16V	01.95 - 08.95	65	1597	4	L1H	CL400	182	Ford-4	
	1.8 16V	01.95 - 08.95	77	1796	4	RDA	CL400	182	Ford-4	
	1.8 16V	01.95 - 10.98	85	1796	4	RKC	CL400	182	Ford-4	
	2.0 RS	02.95 - 02.98	110	1998	4	N7A	CL404	185	pencil/Ford-1	
	2.0 RS 4x4	02.95 - 10.98	110	1998	4	N7A	CL404	185	pencil/Ford-1	
	Escort VII Cabriolet (ALL)	1.4	02.95 - 08.98	55	1391	4	F4B	CL400	182	Ford-4
		1.6 16V XR3i	02.95 - 12.96	65	1597	4	L1H	CL400	182	Ford-4
		1.6 16V XR3i	02.95 - 09.99	66	1597	4	L1E	CL400	182	Ford-4
1.8 16V XR3i		02.95 - 08.98	77	1796	4	RDA	CL400	182	Ford-4	
1.8 16V XR3i		10.95 - 08.98	85	1796	4	RKC	CL400	182	Ford-4	
Escort VII Combi (GAL, ANL)	1.3	01.95 - 08.98	44	1299	4	J6A/J4B	CL400	182	Ford-4	
	1.3	09.98 - 10.98	44	1299	4	J6A/J4B	CL401	183	PIN-4	
						CL409	186	PIN-4		
Escort VII Combi (GAL, ANL)	1.4	01.95 - 02.99	55	1391	4	F4B/FUH	CL400	182	Ford-4	
	1.6 16V	01.95 - 02.99	66	1597	4	L1E	CL400	182	Ford-4	
	1.6 i 16V	01.95 - 08.95	65	1597	4	L1H	CL400	182	Ford-4	
	1.8 16V	01.95 - 08.95	77	1796	4	RDA	CL400	182	Ford-4	
	1.8 16V	01.95 - 02.99	85	1796	4	RKC	CL400	182	Ford-4	
Escort VII Sedan (GAL, AFL)	1.3	01.95 - 08.98	44	1299	4	J6A/J4B	CL400	182	Ford-4	

CAR	MODEL	YEAR	kW	ccm	CYL	MOTOR	COILTYPE	PAGE	INFO
FORD									
Escort VII Sedan (GAL, AFL)	1.3	09.98 - 02.99	44	1299	4	J6A/J4B	CL401	183	PIN-4
							CL409	186	PIN-4
	1.4	01.95 - 02.99	55	1391	4	F4B/FUH	CL400	182	Ford-4
	1.6 i 16V	01.95 - 08.95	65	1597	4	L1H	CL400	182	Ford-4
	1.6 i 16V	01.95 - 02.99	66	1597	4	L1E/L1K	CL400	182	Ford-4
	1.8 16V	01.95 - 08.95	77	1796	4	RDA	CL400	182	Ford-4
	1.8 16V	01.95 - 02.99	85	1796	4	RKC	CL400	182	Ford-4
Fiesta III (GF)	1.1	03.89 - 12.95	37	1119	4	G6A	CL400	182	Ford-4
	1.1	03.89 - 12.95	40	1119	4	GUD/GUE	CL400	182	Ford-4
	1.3	03.89 - 12.92	44	1299	4	JBC	CL400	182	Ford-4
	1.3	03.89 - 12.95	44	1297	4		CL400	182	Ford-4
	1.3 cat	05.91 - 01.97	44	1299	4	J6B	CL400	182	Ford-4
	1.4	03.89 - 12.95	52	1391	4	F6E	CL400	182	Ford-4
	1.4	03.89 - 12.95	54	1391	4	FUG/FUJ	CL400	182	Ford-4
	1.4 cat	03.89 - 12.95	54	1391	4	F4A	CL400	182	Ford-4
	1.6	01.89 - 01.94	65	1597	4	LUH	CL400	182	Ford-4
	1.6	03.89 - 12.92	66	1597	4	LUH	CL400	182	Ford-4
	1.6 Turbo	03.90 - 10.92	96	1598	4	LHA	CL400	182	Ford-4
	1.6 XR2i	03.89 - 03.93	76	1598	4	LJD	CL400	182	Ford-4
	1.6 i 16V	01.94 - 12.95	65	1597	4	L1G	CL400	182	Ford-4
	1.8 XR2i 16V	02.92 - 12.95	96	1796	4	RQC	CL400	182	Ford-4
Fiesta IV (JA_, JB_)	1.25 i 16V	08.95 - 04.98	55	1242	4	DHG/DHB/DHC/DHE/DHF/DHA/DHD	CL400	182	Ford-4
	1.25 i 16V	05.98 - 01.02	55	1242	4	DHG/DHB/DHC/DHE/DHF/DHA/DHD	CL401	183	PIN-4
							CL409	186	PIN-4
	1.3 i	08.95 - 08.98	37	1299	4	JJA/JJE/JJM/JJC/JJJ/JJK	CL400	182	Ford-4
	1.3 i	09.98 - 01.02	37	1299	4	JJA/JJE/JJM/JJC/JJJ/JJK	CL401	183	PIN-4
							CL409	186	PIN-4
	1.3 i	08.95 - 08.98	44	1299	4	J4R/J4C/J4L/J4I/J4Q/J4T	CL400	182	Ford-4
	1.3 i	09.98 - 01.02	44	1299	4	J4R/J4C/J4L/J4I/J4Q/J4T	CL401	183	PIN-4
							CL409	186	PIN-4
	1.4 i 16V	04.96 - 04.98	66	1388	4	FHE/FHA	CL400	182	Ford-4
	1.4 i 16V	05.98 - 01.02	66	1388	4	FHE/FHA	CL401	183	PIN-4
							CL409	186	PIN-4
	1.6 16V Sport	02.00 - 01.02	76	1596	4	L1V/L1T	CL401	183	PIN-4
							CL409	186	PIN-4
Fiesta V (JH_, JD_)	1.3	11'01 -	44	1299	4	BAJA	CL401	183	PIN-4
							CL409	186	PIN-4
	1.3	11'01 -	51	1299	4	A9JA/A9JB	CL401	183	PIN-4
							CL409	186	PIN-4
	1.25 16V	03'05 -	51	1242	4	M7JA/M7JB	CL403	184	PIN-4
	1.25 16V	03'03 - 02'05	51	1242	4	M7JA/M7JB	CL409	186	PIN-4
	1.25 16V	03'05 -	55	1242	4	FUJA/FUJB	CL403	184	PIN-4
	1.25 16V	05'02 - 02'05	55	1242	4	FUJA/FUJB	CL409	186	PIN-4
	1.4 16V	11'01 - 01'05	59	1388	4	FXJB/FXJA	CL401	183	PIN-4
							CL409	186	PIN-4
	1.4 16V	02'05 -	59	1388	4	FXJB/FXJA	CL403	184	PIN-4
	1.6 16V	11.01 - 01.05	74	1596	4	FYJA/FYJB	CL401	183	PIN-4
							CL409	186	PIN-4
	1.6 16V	02.05 -	74	1596	4	FYJA/FYJB	CL403	184	PIN-4
2.0 ST 150	03.05 -	110	1999	4	N4JB	CL406	186	PIN-4	
Fiesta VI	1.25	10.08 -	44	1242	4	STJA/STJB	CL403	184	PIN-4
	1.25	10.08 -	60	1242	4	SNJA/SNJB	CL403	184	PIN-4
	1.4	10.08 -	71	1388	4	SPJA/SPJC	CL403	184	PIN-4
	1.4 LPG	01.09 -	71	1388	4	RTJA/RTJB	CL403	184	PIN-4
	1.6 Ti	10.08 -	88	1596	4	HXJB/HXJA	CL403	184	PIN-4
Fiesta Van	1.25	01.09 -	60	1242	4	SNJA/SNJB	CL403	184	PIN-4
	1.3	10.03 -	51	1299	4	A9JA/A9JB	CL401	183	PIN-4
							CL409	186	PIN-4
Fiesta Van (F3L, F5L)	1.3	09.91 - 02.96	44	1299	4	J6B	CL400	182	Ford-4
Fiesta Van (J5_, J3_)	1.3	02.96 - 08.98	44	1299	4	J4C	CL400	182	Ford-4

CAR	MODEL	YEAR	kW	ccm	CYL	MOTOR	COILTYPE	PAGE	INFO	
FORD										
Fiesta Van (J5_, J3_)	1.3	09.98 -	44	1299	4	J4C	CL401	183	PIN-4	
	1.4 i	04.96 - 10.99	66	1388	4	FHA	CL400	182	Ford-4	
Focus (DAW, DBW)	1.4 16V	10.98 - 11.04	55	1388	4	FXDA/FXDD/FXDC/FXDB	CL401	183	PIN-4	
	1.6 16V	10.98 - 11.04	74	1596	4	FYDH/FYDA/FYDB/FYDD/FYDC	CL401	183	PIN-4	
							CL409	186	PIN-4	
	1.8 16V	10.98 - 11.04	85	1796	4	EYDD/_DC/_DE/_DL/_DF/_DG/_DB/_DJ/_DI	CL401	183	PIN-4	
							CL409	186	PIN-4	
	2.0 16V	10.98 - 11.04	96	1988	4	EDDC/EDDB/EDDD/EDDF	CL401	183	PIN-4	
							CL409	186	PIN-4	
2.0 RS		10.02 - 11.04	158	1988	4	HMDA	CL401	183	PIN-4	
							CL409	186	PIN-4	
2.0 ST 170	03.02 - 11.04	127	1988	4	ALDA	CL401	183	PIN-4		
						CL409	186	PIN-4		
Focus C-Max	1.6	03.'05 - 03.'07	74	1596	4	HWDB/HWDA	CL403	184	PIN-4	
	1.6	10.'03 - 02.'05	74	1596	4	HWDB/HWDA	CL409	186	PIN-4	
	1.6 Ti	03.'05 - 03.'07	85	1596	4	SIDA/HXDA	CL403	184	PIN-4	
	1.6 Ti	08.'04 - 02.'05	85	1596	4	SIDA/HXDA	CL409	186	PIN-4	
	1.8	10.'03 - 03.'07	88	1798	4	CSDB/CSDA	CL405	185	pencil	
	1.8	04.'04 - 03.'07	92	1798	4	QQDA/QQDB/Q7DA	CL405	185	pencil	
	1.8 Flexifuel	01.06 - 03.07	92	1798	4	Q7DA	CL405	185	pencil	
	2.0	03.04 - 03.07	107	1999	4	AODA/AODB/SYDA	CL405	185	pencil	
Focus Combi (DNW)	1.4 16V	02.99 - 11.04	55	1388	4	FXDA/FXDD/FXDC/FXDB	CL401	183	PIN-4	
	1.6 16V	02.99 - 11.04	74	1596	4	FYDH/FYDA/FYDB/FYDD/FYDC	CL401	183	PIN-4	
	1.8 16V	02.99 - 11.04	85	1796	4	EYDD/_DC/_DE/_DL/_DF/_DG/_DB/_DJ/_DI	CL401	183	PIN-4	
	2.0 16V	02.99 - 11.04	96	1988	4	EDDC/EDDB/EDDD/EDDF	CL401	183	PIN-4	
							CL409	186	PIN-4	
2.0 ST 170	08.02 - 11.04	127	1988	4	ALDA	CL401	183	PIN-4		
Focus II (DA_)	1.4	03.'05 -	59	1388	4	ASDB/ASDA	CL403	184	PIN-4	
	1.4	11.'04 - 02.'05	59	1388	4	ASDB/ASDA	CL409	186	PIN-4	
	1.6	03.'05 -	74	1596	4	SHDA/HWDB/HWDA	CL403	184	PIN-4	
	1.6	11.'04 - 02.'05	74	1596	4	SHDA/HWDB/HWDA	CL409	186	PIN-4	
	1.6 LPG	10.'09 -	85	1596	4		CL403	184	PIN-4	
	1.6 Ti	03.'05 -	85	1596	4	HXDB/HXDA	CL403	184	PIN-4	
	1.6 Ti	11.'04 - 02.'05	85	1596	4	HXDB/HXDA	CL409	186	PIN-4	
	1.8	03.'06 -	92	1798	4	QQDB	CL405	185	pencil	
	1.8 Flexifuel	01.'06 -	92	1798	4	Q7DA	CL405	185	pencil	
	2.0	11.04 -	107	1999	4	AODA/AODB	CL405	185	pencil	
	2.0 CNG	04.09 -	107	1999	4	SYDA	CL405	185	pencil	
	2.0 LPG	06.08 -	107	1999	4	SYDA	CL405	185	pencil	
	2.5 RS	01.09 -	224	2521	5	JZDA	CL410	187	pencil	
	2.5 RS 500	05.10 -	257	2521	5		CL410	187	pencil	
	2.5 ST	10.05 -	166	2522	5	HYDA	CL410	187	pencil	
	Focus II Cabriolet	1.6	10.06 -	74	1596	4	HWDB/HWDA	CL403	184	PIN-4
		2.0	10.06 -	107	1999	4	AODA/AODB	CL405	185	pencil
Focus II Combi (DAW_)	1.4	03.'05 -	59	1388	4	ASDB/ASDA	CL403	184	PIN-4	
	1.4	11.'04 - 02.'05	59	1388	4	ASDB/ASDA	CL409	186	PIN-4	
	1.6	03.'05 -	74	1596	4	SHDA/HWDB/HWDA	CL403	184	PIN-4	
	1.6	11.'04 - 02.'05	74	1596	4	SHDA/HWDB/HWDA	CL409	186	PIN-4	
	1.6 LPG	10.'09 -	85	1596	4	SIDA	CL405	185	pencil	
	1.6 Ti	03.'05 -	85	1596	4	HXDB/HXDA	CL403	184	PIN-4	
	1.6 Ti	11.'04 - 02.'05	85	1596	4	HXDB/HXDA	CL409	186	PIN-4	
	1.8	03.'06 -	92	1798	4	QQDB/Q7DA	CL405	185	pencil	
	1.8 Flexifuel	01.'06 -	92	1798	4	Q7DA	CL405	185	pencil	
	2.0	11.04 -	107	1999	4	AODA/AODB	CL405	185	pencil	
	2.0 LPG	06.08 -	107	1999	4	SYDA	CL405	185	pencil	
Focus Sedan (DFW)	1.4 16V	02.99 - 11.04	55	1388	4	FXDA/FXDD/FXDC/FXDB	CL401	183	PIN-4	
	1.6 16V	02.99 - 11.04	74	1596	4	FYDH/FYDA/FYDB/FYDD/FYDC	CL401	183	PIN-4	
	1.8 16V	02.99 - 11.04	85	1796	4	EYDD/_DC/_DE/_DL/_DF/_DG/_DB/_DJ/_DI	CL401	183	PIN-4	
	2.0 16V	02.99 - 11.04	96	1988	4	EDDC/EDDB/EDDD/EDDF	CL401	183	PIN-4	
							CL409	186	PIN-4	

CAR	MODEL	YEAR	kW	ccm	CYL	MOTOR	COILTYPE	PAGE	INFO
FORD									
Focus II Sedan (DA_)	1.4	04.05 -	59	1388	4	ASDB/ASDA	CL403	184	PIN-4
	1.6	04.05 -	74	1596	4	SHDA/HWDB/HWDA	CL403	184	PIN-4
	1.6Ti	04.05 -	85	1596	4	HXDB/HXDA	CL403	184	PIN-4
	1.8	03.06 -	92	1798	4	QQDB	CL405	185	pencil
	1.8 Flexifuel	06.06 -	92	1798	4	Q7DA	CL405	185	pencil
	2.0	04.05 -	107	1999	4	AODA/AODB	CL405	185	pencil
Fusion (JU_)	1.25	08.04 -	55	1242	4	FUJA/FUJB	CL403	184	PIN-4
	1.4	08.02 - 01.05	59	1388	4	FXJB/FXJA	CL401	183	PIN-4
							CL409	186	PIN-4
	1.4	02.05 -	59	1388	4	FXJB/FXJA	CL403	184	PIN-4
	1.6	08.02 - 01.05	74	1596	4	FYJA/FYJB	CL401	183	PIN-4
							CL409	186	PIN-4
1.6	02.05 -	74	1596	4	FYJA/FYJB	CL403	184	PIN-4	
Galaxy (WGR)	2.0 i	11.95 - 05.06	85	1998	4	NSE/ZVSA	CL402	184	Ford-2
	2.3 16V	01.97 - 05.06	107	2295	4	Y5B/ESSA	CL404	185	pencil/Ford-1
	2.3 16V	09.01 - 05.06	103	2295	4	E5SB	CL401	183	PIN-4
	2.8 V6	04.00 - 05.06	150	2792	6	AYL	CL023	142	pencil
	2.8 i V6	11.95 - 04.00	128	2792	6	AAA/AMY	CL021	142	PIN-6
	2.8 i V6 4x4	04.96 - 04.00	128	2792	6	AAA/AMY	CL021	142	PIN-6
Galaxy	2.0	05.06 -	107	1999	4	AOWB/AOWA	CL405	185	pencil
	2.0 SCTi	03.10 -	149	1999	4	TNWA	CL405	185	pencil
	2.3	07.07 -	118	2261	4	SEWA	CL412	188	pencil
Grand C-Max	1.6	12.10 -	77	1596	4		CL403	184	PIN-4
	1.6	12.10 -	92	1596	4		CL403	184	PIN-4
Ka (RB_)	1.0 i	07.97 - 09.99	38	999	4	ZH10JRB	CL401	183	PIN-4
	1.0 i	09.99 - 11.08	48	999	4		CL401	183	PIN-4
							CL401	183	PIN-4
	1.3 i	09.96 - 10.02	37	1299	4	JJB	CL401	183	PIN-4
	1.3 i	06.98 - 11.08	36	1299	4	JJH/JJD/JJF/JJG/JJL	CL400	182	Ford-4
							CL409	186	PIN-4
	1.3 i	09.96 - 08.98	44	1299	4	J4S/BAA/J4K/J4M/J4P/J4N/J4D	CL400	182	Ford-4
	1.3 i	09.98 - 11.08	44	1299	4	J4S/BAA/J4K/J4M/J4P/J4N/J4D	CL401	183	PIN-4
							CL409	186	PIN-4
	1.3 i	08.02 - 11.08	51	1299	4	A9B/A9A	CL401	183	PIN-4
1.6 i	07.03 - 11.08	70	1599	4	CDC/CDB	CL401	183	PIN-4	
						CL409	186	PIN-4	
Ka	1.2	10.08 -	51	1242	4	FP4	CL309	178	PIN-4
Kuga	2.5	03.09 -	147	2522	5	HYDB	CL410	187	pencil
	2.5 4x4	03.09 -	147	2522	5	HYDB	CL410	187	pencil
Maverick	2.0 16V	02.01 -	91	1989	4	YF	CL401	183	PIN-4
							CL409	186	PIN-4
Mondeo I (GBP)	1.6 i 16V	02.93 - 08.96	66	1597	4	L1F	CL400	182	Ford-4
	1.6 i 16V	07.94 - 08.96	65	1597	4	L1J	CL400	182	Ford-4
	1.8 i 16V	02.93 - 08.96	85	1796	4	RKA	CL400	182	Ford-4
	1.8 i 16V	07.94 - 08.96	82	1796	4	RKB	CL400	182	Ford-4
	1.8 i 16V 4x4	02.93 - 08.96	85	1796	4	RKA	CL400	182	Ford-4
	2.0 i 16V	02.93 - 08.96	100	1988	4	NGA	CL400	182	Ford-4
	2.0 i 16V	12.94 - 08.96	97	1988	4	NGA	CL400	182	Ford-4
	2.0 i 16V 4x4	12.94 - 08.96	97	1988	4	NGA	CL400	182	Ford-4
	2.5 i 24V	07.94 - 08.96	125	2544	6	SEA	CL408	186	Ford-6
	Mondeo I Combi (BNP)	1.6 i 16V	04.93 - 08.96	66	1597	4	L1F	CL400	182
1.6 i 16V		07.94 - 08.96	65	1597	4	L1J	CL400	182	Ford-4
1.8 i 16V		04.93 - 08.96	85	1796	4	RKA	CL400	182	Ford-4
1.8 i 16V		07.94 - 08.96	82	1796	4	RKB	CL400	182	Ford-4
1.8 i 16V 4x4		04.93 - 08.96	85	1796	4	RKA	CL400	182	Ford-4
2.0 i 16V		01.93 - 08.96	97	1988	4	NGA	CL400	182	Ford-4
2.0 i 16V		04.93 - 08.96	100	1988	4	NGA	CL400	182	Ford-4
2.0 i 16V 4x4		04.93 - 08.96	100	1988	4	NGA	CL400	182	Ford-4
2.0 i 16V 4x4		12.94 - 08.96	97	1988	4	NGA	CL400	182	Ford-4

CAR	MODEL	YEAR	kW	ccm	CYL	MOTOR	COILTYPE	PAGE	INFO
FORD									
Mondeo I Combi (BNP)	2.5 i 24V	07.94 - 08.96	125	2544	6	SEA	CL408	186	Ford-6
Mondeo I Sedan (GBP)	1.6 i 16V	02.93 - 08.96	66	1597	4	L1F	CL400	182	Ford-4
	1.6 i 16V	07.94 - 08.96	65	1597	4	L1J	CL400	182	Ford-4
	1.8 i 16V	02.93 - 08.96	85	1796	4	RKA	CL400	182	Ford-4
	1.8 i 16V	01.94 - 08.96	82	1796	4	RKB	CL400	182	Ford-4
	2.0 i 16V	02.93 - 08.96	100	1988	4	NGA	CL400	182	Ford-4
	2.0 i 16V 4x4	12.94 - 08.96	97	1988	4	NGA	CL400	182	Ford-4
	2.5 i 24V	07.94 - 08.96	125	2544	6	SEA	CL408	186	Ford-6
Mondeo II (BAP)	1.6 i	09.96 - 08.98	66	1597	4	L1J	CL400	182	Ford-4
	1.6 i	09.98 - 11.00	66	1597	4	L1J	CL401	183	PIN-4
							CL409	186	PIN-4
	1.6 i 16V	05.98 - 11.00	70	1597	4	L1N/L1L/L1Q	CL401	183	PIN-4
							CL409	186	PIN-4
	1.8 i	09.96 - 08.98	85	1796	4	RKK/RKJ/RKB/RKF/RKH	CL400	182	Ford-4
	1.8 i	09.98 - 11.00	85	1796	4	RKK/RKJ/RKB/RKF/RKH	CL401	183	PIN-4
							CL409	186	PIN-4
	2.0 i	09.96 - 08.98	96	1988	4	NGA/NGB/NGD/NGC	CL400	182	Ford-4
	2.0 i	09.98 - 11.00	96	1988	4	NGA/NGB/NGD/NGC	CL401	183	PIN-4
							CL409	186	PIN-4
	2.5 24V	09.96 - 11.00	125	2544	6	SEA	CL408	186	Ford-6
	2.5 ST 200	05.99 - 11.00	151	2495	6	SGA	CL408	186	Ford-6
Mondeo II Combi (BNP)	1.6 i	09.96 - 08.98	66	1597	4	L1J	CL400	182	Ford-4
	1.6 i	09.98 - 11.00	66	1597	4	L1J	CL401	183	PIN-4
							CL409	186	PIN-4
	1.6 i 16V	05.98 - 11.00	70	1597	4	L1N/L1L/L1Q	CL401	183	PIN-4
							CL409	186	PIN-4
	1.8 i	09.96 - 08.98	85	1796	4	RKK/RKJ/RKB/RKF/RKH	CL400	182	Ford-4
	1.8 i	09.98 - 11.00	85	1796	4	RKK/RKJ/RKB/RKF/RKH	CL401	183	PIN-4
							CL409	186	PIN-4
	2.0 i	09.96 - 08.98	96	1988	4	NGA/NGB/NGD/NGC	CL400	182	Ford-4
	2.0 i	09.98 - 11.00	96	1988	4	NGA/NGB/NGD/NGC	CL401	183	PIN-4
							CL409	186	PIN-4
	2.5 24V	09.96 - 11.00	125	2544	6	SEA	CL408	186	Ford-6
	2.5 24V	10.99 - 11.00	125	2495	6	SEB/SEC	CL408	186	Ford-6
	2.5 ST 200	05.99 - 11.00	151	2495	6	SGA	CL408	186	Ford-6
Mondeo II Sedan (BFP)	1.6 i	09.96 - 08.98	66	1597	4	L1J	CL400	182	Ford-4
	1.6 i	09.98 - 11.00	66	1597	4	L1J	CL401	183	PIN-4
							CL409	186	PIN-4
	1.6 i 16V	05.98 - 11.00	70	1597	4	L1N/L1L/L1Q	CL401	183	PIN-4
							CL409	186	PIN-4
	1.8 i	09.96 - 08.98	85	1796	4	RKK/RKJ/RKB/RKF/RKH	CL400	182	Ford-4
	1.8 i	09.98 - 11.00	85	1796	4	RKK/RKJ/RKB/RKF/RKH	CL401	183	PIN-4
							CL409	186	PIN-4
	2.0 i	09.96 - 08.98	96	1988	4	NGA/NGB/NGD/NGC	CL400	182	Ford-4
	2.0 i	09.98 - 11.00	96	1988	4	NGA/NGB/NGD/NGC	CL401	183	PIN-4
							CL409	186	PIN-4
	2.5 24V	09.96 - 11.00	125	2544	6	SEA	CL408	186	Ford-6
	2.5 24V	06.00 - 11.00	125	2495	6	SEB/SEC	CL408	186	Ford-6
Mondeo III (B5Y)	1.8 16V	11.00 - 02.05	81	1798	4	CGBB/CGBA	CL409	186	PIN-4
	1.8 16V	11.00 - 02.05	92	1798	4	CHBA/CHBB	CL409	186	PIN-4
	1.8 16V	03.05 - 08.07	81	1798	4	CGBB/CGBA	CL406	186	PIN-4
	1.8 16V	03.05 - 08.07	92	1798	4	CHBA/CHBB	CL406	186	PIN-4
	1.8 SCi	06.03 - 08.07	96	1798	4	CFBA	CL407	186	pencil
	2.0 16V	11.00 - 02.05	107	1999	4	CJBA/CJBB	CL409	186	PIN-4
	2.0 16V	03.05 - 08.07	107	1999	4	CJBA/CJBB	CL406	186	PIN-4
	2.5 V6 24V	11.00 - 08.07	125	2495	6	LCBD	CL411	188	PIN-6
	3.0 ST 220	04.02 - 08.07	166	2967	6	MEBA	CL411	188	PIN-6
	3.0 V6 24V	09.04 - 08.07	150	2967	6	REBA	CL411	188	PIN-6
Mondeo III Combi (BWY)	1.8 16V	11.00 - 02.05	81	1798	4	CGBB/CGBA	CL409	186	PIN-4
	1.8 16V	11.00 - 02.05	92	1798	4	CHBA/CHBB	CL409	186	PIN-4

CAR	MODEL	YEAR	kW	ccm	CYL	MOTOR	COILTYPE	PAGE	INFO
FORD									
Mondeo III Combi (BWY)	1.8 16V	03.05 - 08.07	81	1798	4	CGBB/CGBA	CL406	186	PIN-4
	1.8 16V	03.05 - 08.07	92	1798	4	CHBA/CHBB	CL406	186	PIN-4
	1.8 SCi	06.03 - 08.07	96	1798	4	CFBA	CL407	186	pencil
	2.0 16V	11.00 - 02.05	107	1999	4	CJBA/CJBB	CL409	186	PIN-4
	2.0 16V	03.05 - 08.07	107	1999	4	CJBA/CJBB	CL406	186	PIN-4
	2.5 V6 24V	11.00 - 08.07	125	2495	6	LCBD	CL411	188	PIN-6
	3.0 ST 220	04.02 - 08.07	166	2967	6	MEBA	CL411	188	PIN-6
	3.0 V6 24V	09.04 - 08.07	150	2967	6	REBA	CL411	188	PIN-6
Mondeo III Sedan (B4Y)	1.8 16V	11.00 - 02.05	81	1798	4	CGBB/CGBA	CL409	186	PIN-4
	1.8 16V	11.00 - 02.05	92	1798	4	CHBA/CHBB	CL409	186	PIN-4
	1.8 16V	03.05 - 08.07	81	1798	4	CGBB/CGBA	CL406	186	PIN-4
	1.8 16V	03.05 - 08.07	92	1798	4	CHBA/CHBB	CL406	186	PIN-4
	1.8 SCi	06.03 - 08.07	96	1798	4	CFBA	CL407	186	pencil
	2.0 16V	11.00 - 02.05	107	1999	4	CJBA/CJBB	CL409	186	PIN-4
	2.0 16V	03.05 - 08.07	107	1999	4	CJBA/CJBB	CL406	186	PIN-4
	2.5 V6 24V	11.00 - 08.07	125	2495	6	LCBD	CL411	188	PIN-6
	3.0 ST 220	04.02 - 08.07	166	2967	6	MEBA	CL411	188	PIN-6
	3.0 V6 24V	09.04 - 08.07	150	2967	6	REBA	CL411	188	PIN-6
Mondeo IV	1.6 Ti	03.07 -	81	1596	4	RHBA	CL403	184	PIN-4
	1.6 Ti	03.07 -	92	1596	4	PNBA	CL403	184	PIN-4
	1.6 Ti	07.10 -	88	1596	4		CL403	184	PIN-4
	2.0	03.07 -	107	1999	4	AOBC/AOBA	CL405	185	pencil
	2.0 Flexifuel	03.07 -	107	1999	4	TBBB/TBBA	CL405	185	pencil
	2.0 LPG	07.09 -	107	1999	4	TBBA	CL405	185	pencil
	2.0 SCTi	03.10 -	149	1976	4	TNBA	CL405	185	pencil
	2.3	07.07 -	118	2261	4	SEBA	CL412	188	pencil
	2.5	03.07 -	162	2521	5	HUBA	CL410	187	pencil
	Mondeo IV Sedan	2.0	03.07 -	107	1999	4	AOBC/AOBA	CL405	185
2.0 Flexifuel		03.07 -	107	1999	4	TBBB/TBBA	CL405	185	pencil
2.0 LPG		07.09 -	107	1999	4	TBBA	CL405	185	pencil
2.3		07.07 -	118	2261	4	SEBA	CL412	188	pencil
2.5		03.07 -	162	2521	5	HUBA	CL410	187	pencil
Mondeo IV Turnier	1.6 Ti	03.07 -	81	1596	4	RHBA	CL403	184	PIN-4
	1.6 Ti	03.07 -	92	1596	4	PNBA	CL403	184	PIN-4
	1.6 Ti	07.10 -	88	1596	4		CL403	184	PIN-4
	2.0	03.07 -	107	1999	4	AOBC/AOBA	CL405	185	pencil
	2.0 Flexifuel	03.07 -	107	1999	4	TBBB/TBBA	CL405	185	pencil
	2.0 LPG	07.09 -	107	1999	4	TBBA	CL405	185	pencil
	2.0 SCTi	03.10 -	149	1976	4	TNBA	CL405	185	pencil
	2.3	07.07 -	118	2261	4	SEBA	CL412	188	pencil
	2.5	03.07 -	162	2521	5	HUBA	CL410	187	pencil
Orion II (AFF)	1.6	12.85 - 07.90	66	1597	4	LUC	CL400	182	Ford-4
	1.6 i	08.89 - 07.90	75	1597	4	LJB	CL400	182	Ford-4
Orion III (GAL)	1.4	07.90 - 12.93	54	1392	4	FUJH	CL400	182	Ford-4
	1.6	07.90 - 12.92	66	1598	4	LUJ/LUK	CL400	182	Ford-4
	1.6 i	07.90 - 09.92	77	1598	4	LJF	CL400	182	Ford-4
	1.8 i 16V	02.92 - 12.93	77	1796	4	RDA	CL400	182	Ford-4
Puma (EC_)	1.4 16V	11.97 - 04.98	66	1388	4	FHD/FHF	CL400	182	Ford-4
	1.4 16V	05.98 - 10.00	66	1388	4	FHD/FHF	CL401	183	PIN-4
							CL409	186	PIN-4
	1.6 16V	08.00 -	76	1596	4	L1W	CL401	183	PIN-4
							CL409	186	PIN-4
	1.7 16V	03.97 - 04.98	92	1679	4	MHB/MHA	CL400	182	Ford-4
	1.7 16V	05.98 -	92	1679	4	MHB/MHA	CL401	183	PIN-4
	1.7 ST 160	06.99 - 04.00	118	1679	4		CL400	182	Ford-4
1.7 ST 160	05.00 -	118	1679	4		CL401	183	PIN-4	
Scorpio I (GAE, GGE)	2.9 i 24V	04.91 - 09.94	143	2933	6	BOA	CL408	186	Ford-6
Scorpio I Combi (GGE)	2.9 24V	08.93 - 09.94	143	2933	6	BOA	CL408	186	Ford-6
Scorpio I Sedan (GGE)	2.9 i 24V	04.91 - 09.94	143	2933	6	BOA	CL408	186	Ford-6
Scorpio II (GFR, GGR)	2.0 i	10.94 - 08.98	85	1998	4	NSD	CL402	184	Ford-2

CAR	MODEL	YEAR	kW	ccm	CYL	MOTOR	COILTYPE	PAGE	INFO
FORD									
Scorpio II (GFR, GGR)	2.0 i 16V	10.94 - 08.98	100	1998	4	N3A	CL404	185	pencil/Ford-1
	2.3 i 16V	06.96 - 08.98	108	2295	4	Y5A	CL404	185	pencil/Ford-1
	2.9 i 24V	10.94 - 08.98	152	2933	6	BOB	CL408	186	Ford-6
Scorpio II Combi (GNR, GGR)	2.0 i	10.94 - 08.98	85	1998	4	NSD	CL402	184	Ford-2
	2.0 i 16V	10.94 - 08.98	100	1998	4	N3A	CL404	185	pencil/Ford-1
	2.3 i 16V	06.96 - 08.98	108	2295	4	Y5A	CL404	185	pencil/Ford-1
Sierra (GBG, GB4)	2.9 i 24V	10.94 - 08.98	152	2933	6	BOB	CL408	186	Ford-6
	1.6 i	10.89 - 02.93	59	1597	4	L6B	CL400	182	Ford-4
	1.8	05.88 - 02.93	64	1769	4	R2C/R6A	CL400	182	Ford-4
Sierra CC (GBC, GBG)	1.8	05.88 - 02.93	64	1769	4	R2C/R6A	CL400	182	Ford-4
S-Max	2.0	05.06 -	107	1999	4	AOWB/AOWA	CL405	185	pencil
	2.0 Flexifuel	05.06 -	107	1999	4	TBWA/TBWB	CL405	185	pencil
	2.0 SCTi	03.10 -	149	1999	4	TNWA	CL405	185	pencil
	2.3	07.07 -	118	2261	4	SEWA	CL412	188	pencil
Street Ka	2.5 ST	05.06 -	162	2521	5	HUWA	CL410	187	pencil
	1.6	05.03 - 07.05	70	1599	4	CDRA/CDRB	CL401	183	PIN-4
							CL409	186	PIN-4
Tourneo Connect	1.8 16V	06.02 -	85	1796	4	EYPC/EYPA/EYPD	CL409	186	PIN-4
Transit Bus (E_ _)	2.0	09.95 - 03.00	84	1998	4	NSF/NSG	CL402	184	Ford-2
	2.0 CNG	06.94 - 03.00	84	1998	4	NSH	CL402	184	Ford-2
Transit Bus (FD_ ,FB_ ,FC_)	2.3 16V	08.00 - 05.06	107	2295	4	E5FC/E5FA	CL404	185	pencil/Ford-1
Transit Connect (P65_ ,P70_)	1.8 16V	06.02 -	85	1796	4	EYPC/EYPA/EYPD	CL409	186	PIN-4
Transit Flatbed (E_ _)	2.0	08.94 - 03.00	84	1998	4	NSF/NSG	CL402	184	Ford-2
Transit Flatbed (FM_ _ ,FN_ _)	2.3 16V	04.01 - 05.06	107	2295	4	E5FC/E5FA	CL404	185	pencil/Ford-1
Transit Flatbed	2.3 16V	04.06 -	107	2295	4	GZFA/GZFC	CL405	185	pencil
Transit Tourneo	2.0	11.94 - 12.00	84	1998	4	NSH	CL402	184	Ford-2
Transit Van (E_ _)	2.0	06.94 - 03.00	84	1998	4	NSF/NSG	CL402	184	Ford-2
Transit Van (FA_ _)	2.3 16V	04.01 - 05.06	107	2295	4	E5FC/E5FA	CL404	185	pencil/Ford-1
Transit Van	2.3 16V	04.06 -	107	2295	4	GZFA/GZFC	CL405	185	pencil
Windstar (A3)	3.0 V6	03.95 - 02.99	109	2986	6		CL408	186	Ford-6
HONDA									
Accord IV (CB)	2.0 16V	01.90 - 03.93	81	1997	4	F20A3/F20A2	CL501	188	—
	2.0 i 16V	01.90 - 03.93	98	1997	4	F20A4/F20A8	CL501	188	—
	2.2 i 16V	01.90 - 03.93	110	2156	4	F22A3	CL501	188	—
	2.2 i 16V Automatic	01.90 - 03.93	108	2156	4	F22A3	CL501	188	—
Accord IV Aerodeck (CB)	2.0 i 16V	03.93 - 12.93	98	1997	4	F20Z3	CL501	188	—
	2.2 i 16V	01.91 - 12.93	108	2156	4	F22A8	CL501	188	—
	2.2 i 16V	01.91 - 12.93	110	2156	4	F22A7	CL501	188	—
Accord IV Coupe (CC1)	2.0 i 16V	01.92 - 09.93	98	1997	4	F20A7	CL501	188	—
Accord V (CC7, CD)	2.0 i	03.93 - 01.96	85	1997	4	F20Z2	CL501	188	—
	2.0 i S	03.93 - 01.96	96	1997	4	F20Z1	CL501	188	—
	2.3 i SR	03.93 - 01.96	116	2259	4	H23A3	CL501	188	—
Accord V Aerodeck (CE)	2.0 i LS 16V	09.93 - 02.98	100	1997	4	F20B3	CL501	188	—
	2.2 i ES	09.93 - 02.98	110	2156	4	F22B5	CL501	188	—
Accord V Coupe (CD7, CD9)	2.0	09.93 - 12.97	100	1997	4	F20B3	CL501	188	—
	2.2 i ES	09.93 - 02.98	110	2156	4	F22B5	CL501	188	—
Accord VI (CE, CF)	1.9 i	02.96 - 10.98	85	1850	4	F18A3	CL569	205	—
	2.0 i LS	02.96 - 10.98	96	1997	4	F20Z1	CL501	188	—
	2.2 i VTEC	02.96 - 10.98	110	2156	4	F22Z2	CL569	205	—
Accord VII (CG, CK)	2.3	01.01 - 06.03	113	2254	4	F23Z5/F23A1	CL569	205	—
	1.6 i	10.98 - 12.02	85	1590	4	D16B6	CL522	195	pencil
	1.8 i	10.98 - 12.02	100	1850	4	F18B2	CL569	205	—
	2.0 i	10.98 - 01.01	108	1997	4	F20B6	CL569	205	—
	2.2 Type-R	02.99 - 12.02	156	2157	4	H22A7	CL501	188	—
Accord VII Coupe (CG)	2.0 i 16V	02.98 - 06.03	108	1997	4	F20B7/F20B5	CL569	205	—
	3.0 V6 24V	02.98 - 06.03	147	2997	6	J30A1	CL550	200	pencil
Accord VII Hatchback (CH)	1.8 i	12.99 - 12.02	100	1850	4	F18B2	CL569	205	—
	2.0	12.99 - 12.02	108	1997	4	F20B6	CL569	205	—
	2.3	11.00 - 12.02	113	2254	4	F23Z5	CL569	205	—
Accord VIII (CL_ ,CM_)	2.0	02.03 -	114	1998	4	K20A6	CL556	202	pencil

Honda

CAR	MODEL	YEAR	kW	ccm	CYL	MOTOR	COILTYPE	PAGE	INFO
HONDA									
Accord VIII (CL_, CM_)	2.0 Allrad	02.03 -	114	1998	4	K20A6	CL556	202	pencil
	2.4	02.03 -	140	2354	4	K24A3/K24A	CL556	202	pencil
Accord VIII Tourer (CM_)	2.0	04.03 -	114	1998	4	K20A6	CL556	202	pencil
	2.4	04.03 -	140	2354	4	K24A	CL556	202	pencil
Accord IX (CU)	2.0 i	07.08 -	115	1997	4	R20A3	CL596	211	pencil
Accord IX Combi	2.0 i	07.08 -	115	1997	4	R20A3	CL596	211	pencil
Civic II Shuttle (EE)	1.5 i 16V	01.88 - 11.91	69	1493	4	D15B2	CL500	188	DIN-1
	1.6 i 16V 4WD	01.88 - 12.89	80	1590	4	D16A6	CL500	188	DIN-1
	1.6 i 16V 4WD	01.88 - 02.95	81	1590	4	D16A6	CL500	188	DIN-1
							CL560	203	DIN-1
							CL500	188	DIN-1
							CL560	203	DIN-1
Civic III Hatchback (AL, AJ, AG)	1.5 GL	10.83 - 10.87	63	1488	4	EW2	CL500	188	DIN-1
Civic III Sedan (AM, AK, AU)	1.5 GL	10.83 - 10.87	63	1488	4	EW2	CL500	188	DIN-1
	1.5 GTi	03.86 - 10.87	66	1488	4	EW4	CL500	188	DIN-1
Civic IV Hatchback (EC, ED, EE)	1.5 i 16V	10.88 - 09.91	66	1493	4	D15B2	CL560	203	DIN-1
							CL560	203	DIN-1
	1.6 i 16V	10.87 - 09.91	80	1590	4	D16A6	CL500	188	DIN-1
							CL560	203	DIN-1
	1.6 i 16V	10.87 - 09.91	81	1590	4	D16Z2	CL500	188	DIN-1
						CL560	203	DIN-1	
	1.6 i 16V Vtec	10.89 - 09.91	110	1595	4	B16A1	CL500	188	DIN-1
							CL560	203	DIN-1
Civic IV Hatchback (EG)	1.5 i 16V	10.91 - 11.95	66	1493	4	D15B2/D15Z2	CL501	188	—
	1.5 i 16V	10.91 - 11.95	69	1493	4	D15Z1 /D15B2	CL501	188	—
	1.6 16V Vtec	10.91 - 11.95	92	1590	4	D16Z6	CL501	188	—
	1.6 VTi 16V	10.91 - 11.95	118	1595	4	B16A2	CL501	188	—
Civic IV Sedan (ED)	1.5 i 16V	10.87 - 09.91	66	1493	4	D15B2	CL500	188	DIN-1
	1.5 i 16V	10.87 - 09.91	69	1493	4	D15B2	CL500	188	DIN-1
	1.6 i 16V	09.87 - 09.91	96	1590	4	D16A7	CL500	188	DIN-1
	1.6 i 16V	10.87 - 09.91	81	1590	4	D16Z2	CL500	188	DIN-1
							CL560	203	DIN-1
	1.6 i 16V	11.87 - 09.91	80	1590	4	D16A6	CL500	188	DIN-1
							CL560	203	DIN-1
	1.6 i 16V 4x4	10.89 - 09.91	80	1590	4	D16A6	CL500	188	DIN-1
							CL560	203	DIN-1
Civic V Coupe (EJ)	1.5 i Lsi	01.94 - 11.95	74	1493	4	D15B7	CL501	188	—
	1.6 i	01.94 - 11.95	77	1590	4	D16Y7	CL501	188	—
	1.6 i Vtec	01.94 - 03.96	92	1590	4	D16Y6/D16Z9	CL501	188	—
	1.6 i Vtec	01.94 - 11.95	118	1595	4	B16A2	CL501	188	—
Civic V Sedan (EG, EH)	1.5 i 16V	10.91 - 11.95	69	1493	4	D15Z1 /D15B2	CL501	188	—
	1.6 16V Vtec	10.91 - 11.95	92	1590	4	D16Z6/D16Z7	CL501	188	—
	1.6 VTi	10.91 - 11.95	118	1595	4	B16A2	CL560	203	DIN-1
Civic VI Aerodeck (MB, MC)	1.4 16V	04.98 - 02.01	55	1396	4	D14A7	CL501	188	—
	1.4 16V	04.98 - 02.01	66	1396	4	D14A8	CL501	188	—
	1.5 16V	04.98 - 02.01	84	1493	4	D15Z8	CL569	205	—
	1.6 16V	04.98 - 02.01	85	1590	4	D16B2	CL501	188	—
	1.8 16V	04.98 - 02.01	124	1797	4	B18C4	CL501	188	—
Civic VI Coupe (EJ, EM1)	1.6 i	03.96 - 03.00	77	1590	4	D16Y7	CL501	188	—
	1.6 i Vtec	03.96 - 03.00	92	1590	4	D16Y8	CL501	188	—
	1.6 i Vtec	04.99 - 12.00	118	1595	4	B16A2	CL501	188	—
Civic VI Fastback (MA)	1.4 i	09.94 - 01.97	66	1396	4	D14A2	CL569	205	—
	1.4 i	09.95 - 01.97	55	1396	4	D14A5	CL569	205	—
	1.4 16V	01.97 - 02.01	55	1396	4	D14A7	CL501	188	—
	1.4 16V	01.97 - 02.01	66	1396	4	D14A8	CL501	188	—
	1.5 16V	01.97 - 02.01	84	1493	4	D15Z8	CL501	188	—
	1.5 i Vtec-E	09.94 - 01.97	66	1493	4	D15Z3	CL501	188	—
	1.6 16V	01.97 - 02.01	85	1590	4	D16B2	CL501	188	—
	1.6 i	09.94 - 01.97	83	1590	4	D16Y3	CL501	188	—
	1.6 i Vtec	09.94 - 01.97	93	1590	4	D16Y2	CL501	188	—
	1.6 VTi	01.97 - 02.01	118	1595	4	B16A2	CL501	188	—

CAR	MODEL	YEAR	kW	ccm	CYL	MOTOR	COILTYPE	PAGE	INFO
HONDA									
Civic VI Fastback (MA)	1.8 16V	01.97 - 02.01	124	1797	4	B18C4	CL501	188	—
Civic VI Hatchback (EJ, EK)	1.4 i	11.95 - 02.01	55	1396	4	D14Z1/D14A3	CL501	188	—
	1.4 i S	11.95 - 02.01	66	1396	4	D14A4/D14Z2	CL501	188	—
	1.5 i	11.95 - 02.01	84	1493	4	D15Z6	CL501	188	—
	1.6 Vti	11.95 - 02.01	118	1595	4	B16A2	CL501	188	—
Civic VI Sedan (EJ, EK)	1.4 i	11.95 - 02.01	66	1396	4	D14A4/D14Z2	CL501	188	—
	1.5 i	11.95 - 02.01	84	1493	4	D15Z6	CL501	188	—
	1.6 i Vtec	11.95 - 02.01	92	1590	4	D16Y6/D16Y8	CL501	188	—
	1.6 VTi	11.95 - 02.01	118	1595	4	B16A2	CL501	188	—
Civic VII Coupe (EM2)	1.6 i	02.01 - 12.05	81	1590	4	D16V1	CL583	209	pencil
	1.7 i	05.01 - 12.05	88	1668	4	D17A8	CL550	200	pencil
	1.7 i VTEC	05.01 - 12.05	92	1668	4	D17A5/D17A9	CL550	200	pencil
Civic VII Hatchback (EU, EP, EV)	1.4 i	02.01 - 09.05	55	1396	4	D14Z6	CL583	209	pencil
	1.4 i S	02.01 - 09.05	66	1396	4	D14Z5/D14Z6	CL583	209	pencil
	1.6 i	02.01 - 09.05	81	1590	4	D16V1	CL583	209	pencil
	2.0 i Sport	01.04 - 09.05	118	1998	4	K20A3	CL556	202	pencil
	2.0 Type R	09.01 - 09.05	147	1998	4	K20A2	CL556	202	pencil
Civic VII Sedan (ES)	1.3 IMA	01.04 - 09.05	61	1339	4	LDA1	CL585	209	pencil
							CL586	209	pencil
	1.4	02.01 - 09.05	66	1396	4	D14Z5	CL583	209	pencil
	1.6	02.01 - 09.05	81	1590	4	D16V1	CL583	209	pencil
	1.7	02.01 - 09.05	85	1668	4	D17A6	CL550	200	pencil
	1.8	09.05 - 09.05	103	1798	4	R18A1	CL596	211	pencil
Civic VIII Hatchback (FN, FK)	1.4	01.06 -	61	1339	4	L13A7	CL585	209	pencil
							CL586	209	pencil
	1.4	10.08 -	73	1339	4	L13Z1	CL585	209	pencil
							CL586	209	pencil
	1.8	01.06 -	103	1799	4	R18A2	CL596	211	pencil
	09.06 -	148	1998	4	K20Z4	CL556	202	pencil	
Civic VIII Sedan (FD)	1.3 Hybrid	01.06 -	70	1339	4	LDA2	CL585	209	pencil
							CL586	209	pencil
Concerto (HW)	1.5 i 16V	08.89 - 03.95	66	1493	4	D15B2	CL500	188	DIN-1
							CL560	203	DIN-1
	1.6 16V	08.89 - 03.95	78	1590	4	D16Z2	CL500	188	DIN-1
	1.6 i 16V	08.89 - 03.95	82	1590	4	D16Z2	CL500	188	DIN-1
Concerto Sedan (HWW)	1.6 i 16V	08.89 - 03.95	90	1590	4	D16A8	CL500	188	DIN-1
	1.5 i 16V	08.89 - 05.95	66	1493	4	D15B2	CL500	188	DIN-1
	1.6 16V	08.89 - 03.95	78	1590	4	D16Z2	CL500	188	DIN-1
	1.6 i 16V	08.89 - 03.95	82	1590	4	D16Z2	CL500	188	DIN-1
CR-V I (RD)	1.6 i 16V	08.89 - 03.95	90	1590	4	D16A8	CL500	188	DIN-1
	2.0 16V	10.95 - 01.99	94	1973	4	B20B	CL501	188	—
	2.0 16V	01.99 - 02.02	108	1973	4	B20Z1	CL501	188	—
	2.0	07.02 - 09.06	110	1998	4	K20A4	CL556	202	pencil
CR-V II (RD_)	2.0	07.02 - 09.06	110	1998	4	K20A4	CL556	202	pencil
CR-V III	2.0 i	01.07 -	110	1997	4	R20A2	CL556	202	pencil
CRX II (ED, EE)	1.6 i 16V	10.87 - 02.92	91	1590	4	D16Z5	CL500	188	DIN-1
	1.6 i 16V	10.87 - 12.89	96	1590	4	D16A8/D16A9	CL500	188	DIN-1
	1.6 i 16V Vtec	10.89 - 02.92	110	1595	4	B16A1	CL500	188	DIN-1
	1.6 EsI	03.92 - 12.98	92	1590	4	D16Y8/D16Z6	CL501	188	—
	1.6 i Vti	03.92 - 12.98	118	1595	4	B16A2	CL501	188	—
FR-V (BE)	1.7	02.05 -	92	1668	4	D17A2	CL550	200	pencil
	1.8	01.07 -	103	1798	4	R18A1	CL596	211	pencil
	2.0	02.05 -	110	1998	4	K20A9	CL556	202	pencil
HR-V (GH)	1.6 16V	03.99 -	77	1590	4	D16W1	CL501	188	—
	1.6 16V 4WD	03.99 -	77	1590	4	D16W1	CL501	188	—
	1.6 16V 4WD	10.99 -	91	1590	4	D16W5	CL501	188	—
Integra Coupe (DC2, DC4)	1.8 Type-R	11.97 - 10.01	140	1797	4	B18C6	CL501	188	—
Jazz II (GD)	1.2	03.02 -	57	1243	4	L12A1	CL585	209	pencil
							CL586	209	pencil
	1.4	03.02 - 07.08	61	1339	4	L13A1	CL585	209	pencil
						CL586	209	pencil	

CAR	MODEL	YEAR	kW	ccm	CYL	MOTOR	COILTYPE	PAGE	INFO
HONDA									
Jazz III (GE)	1.2	07.08 -	66	1198	4	L12B1	CL585	209	pencil
							CL586	209	pencil
	1.4 i	07.08 -	73	1339	4	L13Z1	CL585	209	pencil
							CL586	209	pencil
Legend IV (KB_)	3.5 V6 4WD	05.06 -	217	3471	6	C35A8	CL550	200	pencil
Logo (GA3)	1.3	03.99 - 03.02	48	1343	4	D13B7	CL501	188	—
Prelude IV (BB)	2.0 i 16V	02.92 - 09.96	98	1997	4	F20A4	CL501	188	—
	2.2 i 16V Vtec	02.93 - 09.96	136	2157	4	H22A2	CL501	188	—
	2.3 i 16V	02.92 - 09.96	118	2259	4	H23A2	CL501	188	—
Prelude V (BB)	2.0 16V	10.96 - 10.00	98	1997	4	F20A4	CL501	188	—
	2.2 16V	10.96 - 10.00	136	2157	4	H22A5	CL501	188	—
	2.2 16V	10.96 - 10.00	147	2157	4	H22A5	CL501	188	—
Shuttle (RA)	2.2 16V	10.94 - 02.98	110	2156	4	F22B8	CL501	188	—
	2.3 16V	10.97 - 06.04	110	2254	4	F23A7	CL569	205	—
Stream (RN)	1.7 16V	05.01 -	92	1668	4	D17A2	CL550	200	pencil
	2.0 16V	05.01 -	115	1998	4	K20A1	CL556	202	pencil
HYUNDAI									
Accent I (X-3)	1.3	10.94 - 01.00	44	1341	4	G4EH	CL502	189	DIN-4
							CL502	189	DIN-4
	1.3 i 12V	10.94 - 01.00	62	1341	4	G4EH	CL502	189	DIN-4
							CL502	189	DIN-4
Accent II (LC)	1.3	01.00 -	55	1341	4	G4E-A	CL524	195	DIN-4
							CL524	195	DIN-4
	1.3	08.02 -	62	1341	4	G4E-A	CL524	195	DIN-4
							CL524	195	DIN-4
	1.3	01.00 -	63	1341	4	G4E-A	CL524	195	DIN-4
							CL524	195	DIN-4
	1.5	01.00 -	66	1495	4	G4EB	CL502	189	DIN-4
							CL502	189	DIN-4
1.5	09.00 -	75	1495	4	G4EC-G	CL502	189	DIN-4	
						CL502	189	DIN-4	
1.6	12.02 -	77	1599	4	G4ED-G	CL546	199	DIN-4	
						CL595	211	pencil	
Accent III (MC)	1.4 GL	11.05 -	71	1399	4	G4EE	CL546	199	DIN-4
							CL595	211	pencil
	1.6 GLS	11.05 -	82	1599	4	G4ED	CL595	211	pencil
Accent Sedan (LC)	1.3	01.00 - 11.05	55	1341	4	G4E-A	CL524	195	DIN-4
							CL524	195	DIN-4
	1.5	01.00 - 11.05	66	1495	4	G4EB	CL502	189	DIN-4
							CL502	189	DIN-4
1.6	12.02 - 11.05	77	1599	4	G4ED-G	CL546	199	DIN-4	
						CL595	211	pencil	
Accent Sedan (MC)	1.4 GL	11.05 -	71	1399	4	G4EE	CL546	199	DIN-4
							CL595	211	pencil
	1.6 GLS	11.05 -	82	1599	4	G4ED	CL546	199	DIN-4
CL595	211	pencil							
	CL595	211	pencil						
Accent Sedan (X-3)	1.3	10.94 - 01.00	44	1341	4	G4EH	CL502	189	DIN-4
							CL502	189	DIN-4
	1.3 i 12V	10.94 - 01.00	62	1341	4	G4EH	CL502	189	DIN-4
							CL502	189	DIN-4
1.5 i 12V	10.94 - 01.00	65	1495	4	G4EK	CL502	189	DIN-4	
						CL502	189	DIN-4	
Atos (MX)	1.0 i	02.98 - 08.00	40	999	4	G4HC	CL519	194	DIN-1
							CL523	195	DIN-4
	1.0 i	08.00 - 03.02	40	999	4	G4HC	CL523	195	DIN-4
							CL523	195	DIN-4
1.0 i	03.01 -	43	999	4	G4HC-E	CL523	195	DIN-4	
						CL523	195	DIN-4	
1.1	03.04 -	46	1086	4	G4HG	CL541	198	DIN-4	
						CL541	198	DIN-4	
Atos Prime (MX)	1.0 i	08.99 - 08.00	40	999	4	G4HC	CL519	194	DIN-1
							CL523	195	DIN-4
	1.0 i	08.00 -	40	999	4	G4HC	CL523	195	DIN-4
							CL523	195	DIN-4
	1.0 i	03.01 -	43	999	4	G4HC-E	CL523	195	DIN-4
CL523							195	DIN-4	
1.1	06.03 -	43	1086	4	G4HD	CL523	195	DIN-4	
						CL523	195	DIN-4	
1.1	09.05 -	46	1086	4	G4HG	CL541	198	DIN-4	
						CL541	198	DIN-4	
Centennial	4.5	10.99 - 09.03	195	4498	8	8A80	CL902	230	pencil
Coupe (GK)	1.6 16V	03.02 -	77	1599	4	G4ED-G	CL546	199	DIN-4
							CL546	199	DIN-4
	2.0	08.01 -	100	1975	4	G4GC-G	CL539	198	DIN-4
							CL539	198	DIN-4
	2.0	03.02 -	102	1975	4	G4GC-G	CL539	198	DIN-4
							CL565	205	DIN-4
2.0 GLS	02.03 -	105	1975	4	G4GC-G	CL539	198	DIN-4	

CAR	MODEL	YEAR	kW	ccm	CYL	MOTOR	COILTYPE	PAGE	INFO
HYUNDAI									
Coupe (RD)	1.6 16V	03.98 - 04.02	85	1599	4	G4GR	CL503	189	DIN-4
	1.6 i 16V	12.96 - 04.02	84	1599	4	4G61	CL503	189	DIN-4
	2.0 16V	08.96 - 04.02	102	1975	4	G4GF	CL503	189	DIN-4
	2.0 16V	03.01 - 04.02	99	1975	4	G4DF	CL503	189	DIN-4
Elantra (XD)	1.6	06.00 - 07.06	66	1599	4		CL503	189	DIN-4
	1.6	06.00 -	79	1599	4	G4ED-G	CL546	199	DIN-4
	1.6	05.03 -	77	1599	4	G4ED-G	CL546	199	DIN-4
	1.8	06.00 -	97	1795	4	G4BB	CL539	198	DIN-4
	2.0	06.00 -	102	1975	4	G4GC-G	CL539	198	DIN-4
	2.0	06.00 -	104	1975	4	G4GC	CL539	198	DIN-4
Elantra Sedan (XD)	2.0	10.03 -	105	1975	4	G4GC	CL565	205	DIN-4
	1.6	06.00 - 07.06	66	1599	4		CL503	189	DIN-4
	1.6	06.00 -	79	1599	4	G4ED-G	CL546	199	DIN-4
	1.6	05.03 -	77	1599	4	G4ED-G	CL546	199	DIN-4
	1.8	06.00 -	97	1795	4	G4BB	CL539	198	DIN-4
	2.0	06.00 -	102	1975	4	G4GC-G	CL539	198	DIN-4
Galloper I	2.0	06.00 -	104	1975	4	G4GC	CL539	198	DIN-4
	2.0	10.03 -	105	1975	4	G4GC	CL565	205	DIN-4
	3.0 V6	08.91 - 07.98	104	2972	6	6G72	CL540	198	DIN-1
	3.0 V6	08.98 -	104	2972	6	6G6AT	CL558	202	DIN-1
Galloper II (JK-01)	3.0 V6	08.98 -	104	2972	6	6G6AT	CL558	202	DIN-1
Genesis Coupe	3.8 V6	01.08 -	223	3778	6	G6DA	CL593	211	pencil
Getz (TB)	1.1	09.02 -	46	1086	4	G4HD	CL551	201	DIN-4
	1.1	09.05 -	49	1086	4	G4HD	CL502	189	DIN-4
	1.3 i	09.02 -	60	1341	4	G4E-A	CL524	195	DIN-4
	1.4 i	08.05 -	71	1399	4	G4EE	CL503	189	DIN-4
	1.6	09.02 -	77	1599	4	G4ED-G	CL546	199	DIN-4
Grandeur (TG)	3.3	04.05 -	173	3342	6	G6DB	CL593	211	pencil
H-1 Starex (KMF)	2.4	10.97 -	82	2351	4	G4CS	CL525	195	DIN-1
	2.4 4WD	10.97 -	82	2351	4	G4CS	CL525	195	DIN-1
H-1 Van	2.4	03.00 -	82	2351	4	G4CS	CL525	195	DIN-1
H100 Bus (P)	2.4	07.93 - 03.00	90	2351	4	G4CS	CL525	195	DIN-1
	2.4	01.97 - 03.00	84	2351	4	G4CS	CL525	195	DIN-1
i10	1.1	01.08 -	49	1086	4	G4HG	CL541	198	DIN-4
	1.2	11.08 -	57	1248	4	G4LA	CL904	230	pencil
i20 (PB, PBT)	1.2	09.08 -	57	1248	4	G4LA	CL904	230	pencil
	1.6	09.08 -	93	1591	4	G4FC	CL584	209	pencil
i30	1.4	10.07 -	77	1396	4	G4FA	CL566	205	pencil
	1.4	10.07 -	80	1396	4	G4FA	CL566	205	pencil
	1.6	10.07 -	85	1591	4		CL566	205	pencil
							CL584	209	pencil
	1.6	10.07 -	90	1591	4	G4FC	CL566	205	pencil
	1.6	02.08 -	93	1591	4	G4FC	CL584	209	pencil
	2.0	10.07 -	105	1975	4	G4GC-G/G4GC	CL901	229	DIN-4
i30 CW	1.6	02.08 -	85	1591	4		CL584	209	pencil
	1.6	02.08 -	90	1591	4	G4FC	CL584	209	pencil
	1.6	02.08 -	93	1591	4	G4FC	CL584	209	pencil
Lantra I (J-1)	1.5 i.e.	10.90 - 11.95	63	1468	4	G15B/G4DJ	CL508	191	DIN-1
	1.6 i.e. 16V	10.90 - 11.95	78	1596	4	G4CR	CL526	195	DIN-4
	1.6 i.e. 16V	10.90 - 11.95	84	1596	4	G4CR	CL526	195	DIN-4
	1.8 i.e. 16V	10.90 - 11.95	93	1836	4	G4CN	CL526	195	DIN-4
Lantra II (J-2)	1.5 12V	12.96 - 09.00	65	1495	4	G4EK	CL502	189	DIN-4
	1.6 16V	11.95 - 09.00	84	1599	4	4G61	CL503	189	DIN-4
	1.6 i	11.95 - 09.00	66	1599	4	G4GR	CL503	189	DIN-4
	1.8 16V	11.95 - 09.00	94	1795	4	G4GM	CL503	189	DIN-4
	2.0 16V	08.96 - 09.00	102	1975	4	G4GF	CL503	189	DIN-4
Lantra II Wagon (J-2)	1.5 12V	04.97 -	65	1495	4	G4EK	CL502	189	DIN-4
	1.6 16V	02.96 -	84	1599	4	4G61	CL503	189	DIN-4
	1.6 i	02.96 -	66	1599	4	G4GR	CL503	189	DIN-4
	1.8 16V	02.96 -	94	1795	4	G4GM	CL503	189	DIN-4
	2.0 16V	12.96 -	102	1975	4	G4GF	CL503	189	DIN-4

CAR	MODEL	YEAR	kW	ccm	CYL	MOTOR	COILTYPE	PAGE	INFO
HYUNDAI									
Matrix (FC)	1.6	06.01 -	76	1599	4	G4ED-G	CL546	199	DIN-4
	1.8	06.01 -	90	1795	4	G4GB-G	CL539	198	DIN-4
	1.8	06.01 -	90	1795	4	G4GB-G	CL565	205	DIN-4
Pony (X-2)	1.3	10.89 - 01.95	43	1299	4	G4DG	CL508	191	DIN-1
	1.5	10.89 - 01.95	53	1468	4	G15B/G4DJ	CL508	191	DIN-1
	1.5 i	10.89 - 01.95	61	1468	4	G15B/G4DJ	CL508	191	DIN-1
	1.5 i	10.89 - 01.95	62	1468	4	G15B/G4DJ	CL508	191	DIN-1
Pony/Excel Sedan (X-2)	1.5	01.90 - 01.95	53	1468	4	G15B/G4DJ	CL508	191	DIN-1
	1.5 i	01.90 - 01.95	61	1468	4	G15B/G4DJ	CL508	191	DIN-1
	1.5 i	01.90 - 01.95	62	1468	4	G15B/G4DJ	CL508	191	DIN-1
S Coupe (SLC)	1.5 i	02.90 - 05.96	62	1468	4	G15B/G4DJ	CL508	191	DIN-1
	1.5 i	04.92 - 05.96	65	1495	4	G4EK	CL508	191	DIN-1
Santa Fé I (SM)	2.0	08.01 - 03.06	99	1997	4	G4BP	CL515	194	pencil/DIN-1
	2.4 16V	02.01 - 03.06	100	2351	4	G4JS-G	CL515	194	pencil/DIN-1
	2.4 16V	02.01 - 03.06	107	2351	4	G4JS-G	CL515	194	pencil/DIN-1
	2.4 16V 4x4	02.01 - 03.06	100	2351	4	G4JS-G	CL515	194	pencil/DIN-1
	2.4 16V 4x4	02.01 - 03.06	107	2351	4	G4JS-G	CL515	194	pencil/DIN-1
	2.7	10.05 - 03.06	139	2656	6	G6EA	CL590	210	pencil
	2.7 4x4	10.05 - 03.06	139	2656	6	G6EA	CL590	210	pencil
	2.7 V6 4x4	02.01 - 03.06	127	2656	6	G6BA-G	CL527	196	DIN-6
Santa Fé II (CM)	2.4	11.10 -	128	2359	4	G4KE	CL593	211	pencil
Santamo	2.0 16V	05.99 -	102	1997	4		CL525	195	DIN-1
	2.0 16V 4x4	05.99 -	102	1997	4		CL525	195	DIN-1
Sonata II (Y-2)	2.0 i	01.91 - 10.93	80	1997	4	G4CP-U	CL526	195	DIN-4
	2.0 i 16V	01.91 - 10.93	96	1997	4	G4CP-D	CL525	195	DIN-1
Sonata III (Y-3)	1.8 i	05.93 - 06.98	72	1796	4	G4CM	CL525	195	DIN-1
	2.0 i	06.94 - 08.96	77	1997	4	G4CP	CL525	195	DIN-1
	2.0 i	08.96 - 06.98	70	1997	4		CL525	195	DIN-1
	2.0 i 16V	05.93 - 06.98	102	1997	4	G4CP-D	CL526	195	DIN-4
	2.0 i 16V	06.96 - 06.98	92	1997	4	G4CP-DM	CL525	195	DIN-1
Sonata IV (EF)	2.0 16V	06.98 - 10.01	100	1997	4	G4JP-G	CL515	194	pencil/DIN-1
	2.0 16V	10.01 - 11.04	96	1997	4	G4JP-EG	CL515	194	pencil/DIN-1
	2.4 16V	03.98 - 10.01	105	2351	4		CL515	194	pencil/DIN-1
	2.5 V6 24V	06.98 - 10.01	118	2493	6	G6BV-G	CL528	196	DIN-6
	2.7 V6	10.01 - 11.04	127	2656	6	G6BA-G	CL528	196	DIN-6
Sonata V (NF)	2.4	01.05 -	119	2359	4	G4KC	CL593	211	pencil
	3.3	01.05 -	171	3342	6	G6DB	CL593	211	pencil
	3.3	06.05 -	173	3342	6	G6DB	CL593	211	pencil
	3.3	01.08 -	184	3342	6	G6DB	CL593	211	pencil
Starex (H1)	2.4	06.97 -	82	2351	4	G4CS	CL515	194	pencil/DIN-1
							CL525	195	DIN-1
	2.4 4WD	02.98 -	82	2351	4	G4CS	CL515	194	pencil/DIN-1
						CL525	195	DIN-1	
Terracan (HP)	3.5 i V6 4WD	12.01 -	143	3497	6	G6CU	CL553	201	pencil/PIN-1
Trajjet (FO)	2.0	03.00 -	100	1997	4	G4JP-G	CL515	194	pencil/DIN-1
	2.0	01.04 -	103	1975	4	G4GC-G	CL515	194	pencil/DIN-1
	2.7 V6	09.00 -	127	2656	6	G6BA-G	CL528	196	DIN-6
Tucson (JM)	2.0	08.04 -	104	1975	4	G4GC	CL515	194	pencil/DIN-1
	2.0 Allrad	08.04 -	104	1975	4	G4GC	CL515	194	pencil/DIN-1
XG 25 (XG)	2.5	12.98 -	120	2493	6		CL553	201	pencil/PIN-1
XG 30/300 (XG)	3.0	12.98 -	138	2972	6	G6CT-G	CL553	201	pencil/PIN-1
XG 350 (XG)	3.5	04.03 -	145	3497	6	G6CU	CL553	201	pencil/PIN-1
INFINITI									
G20	2.0	01.90 - 12.97	85	1998	4	SR20DE	CL528	196	DIN-6
I30	3.0	01.97 -	142	2988	6	VQ30DE	CL535	197	pencil
							CL536	197	pencil
JEEP									
Commander	3.7 V6	09.05 -	157	3701	6	EKG	CL709	228	pencil
	4.7 V8	09.05 -	170	4701	8	EVA	CL709	228	pencil
Grand Cherokee II (WJ, WG)	3.7 Laredo	10.04 - 09.05	157	3700	6	EKG	CL709	228	pencil

CAR	MODEL	YEAR	kW	ccm	CYL	MOTOR	COILTYPE	PAGE	INFO
JEEP									
Grand Cherokee II (WJ, WG)	4.7 V8	04.99 - 08.00	162	4701	8	EVA	CL709	228	pencil
	4.7 V8	08.00 -	164	4701	8	EVA	CL709	228	pencil
	4.7 V8	10.01 -	190	4701	8	EVC	CL709	228	pencil
	4.7	10.04 -	167	4701	8	EVA	CL709	228	pencil
	4.7 V8 4x4	06.03 -	167	4701	8	EVA	CL709	228	pencil
Grand Cherokee III (WH)	3.7 V6	06.05 -	157	3701	6		CL709	228	pencil
	4.7 V8	06.05 -	170	4701	8	EVA	CL709	228	pencil
Cherokee (KJ)	3.7 Laredo	10.01 - 09.04	150	3700	6	EKG	CL709	228	pencil
	3.7 V6	09.01 -	155	3698	6	EKG	CL709	228	pencil
	3.7 V6	08.03 -	150	3700	6	EKG	CL709	228	pencil
KIA									
Carens I (FC)	1.8 i	11.00 - 07.02	81	1793	4	T8	CL505	190	pencil/PIN-1
Carens II (FJ)	1.6	07.02 -	77	1594	4		CL505	190	pencil/PIN-1
	1.6	04.03 - 09.05	77	1594	4		CL530	196	DIN-4
	1.8	07.02 -	93	1793	4		CL505	190	pencil/PIN-1
Carens III (UN)	1.6 CVVT	08.09 -	97	1591	4	G4FC	CL584	209	pencil
	1.6 CVVT	10.10 -	93	1591	4	G4FC	CL584	209	pencil
	2.0 CVVT	09.06 -	106	1998	4	G4KA	CL593	211	pencil
Carnival (UP)	2.5 V6	08.99 - 10.01	121	2497	6		CL531	196	DIN-6
Carnival II (GQ)	2.5 V6	10.01 -	110	2497	6	K5	CL531	196	DIN-6
	3.5	07.02 -	143	3497	6	G6CU	CL553	201	pencil/PIN-1
Carnival III (VQ)	2.7 V6	06.06 -	139	2656	6	G6EA	CL553	201	pencil/PIN-1
Cee'd (ED)	1.4	12.06 -	77	1396	4	G4FA	CL566	205	pencil
	1.4	12.06 -	80	1396	4	G4FA	CL566	205	pencil
	1.4 CVVT	06.10 -	66	1396	4	G4FA-L	CL566	205	pencil
	1.6	09.07 -	85	1591	4	G4FC	CL566	205	pencil
	1.6	12.06 -	90	1591	4	G4FC	CL566	205	pencil
	1.6	02.08 -	93	1591	4	G4FC	CL566	205	pencil
	1.6 CVVT	10.10 -	92	1591	4	G4FC	CL566	205	pencil
	2.0	12.06 -	105	1975	4	G4GC	CL901	229	DIN-4
Cee'd Combi (ED)	1.4	09.07 -	80	1396	4	G4FA	CL566	205	pencil
	1.4 CVVT	10.10 -	66	1396	4	G4FA-L	CL566	205	pencil
	1.6	09.07 -	85	1591	4	G4FC	CL566	205	pencil
	1.6	09.07 -	90	1591	4	G4FC	CL566	205	pencil
	1.6	09.07 -	93	1591	4	G4FC	CL566	205	pencil
	1.6 CVVT	06.09 -	92	1591	4	G4FC	CL566	205	pencil
Cerato (LD)	1.6	07.04 -	77	1599	4	G4ED	CL546	199	DIN-4
	2.0	04.04 -	105	1975	4	G4GC	CL565	205	DIN-4
Cerato Sedan (LD)	1.6	04.04 -	77	1599	4	G4ED	CL546	199	DIN-4
	1.6	05.06 -	90	1591	4	G4FC	CL566	205	pencil
	2.0	04.04 -	105	1975	4	G4GC	CL565	205	DIN-4
Clarus (K9A)	1.8 i 16V	07.96 -	85	1793	4	T8	CL505	190	pencil/PIN-1
	2.0 i 16V	07.96 -	98	1998	4	FE (16V)	CL545	199	DIN-1
Clarus Combi (GC)	1.8 i 16V	05.98 -	85	1793	4	T8	CL505	190	pencil/PIN-1
	2.0 i 16V	05.98 -	98	1998	4	FE (16V)	CL545	199	DIN-1
Joice	2.0	02.00 -	102	1997	4	G4CP	CL532	197	DIN-4
	2.0	09.01 -	88	1997	4		CL532	197	DIN-4
Magentis (GD)	2.0	05.01 -	100	1997	4	G4JP	CL515	194	pencil/DIN-1
	2.5 V6	05.01 -	124	2493	6	G6BV	CL528	196	DIN-6
Magentis (MG)	2.0	07.09 -	121	1998	4	G4KD	CL902	230	pencil
Opirus (GH)	3.5	09.03 -	149	3497	6	G6CU	CL553	201	pencil/PIN-1
	3.8 V6	10.06 -	196	3778	6	G6DA	CL553	201	pencil/PIN-1
Picanto (BA)	1.0	09.05 -	45	999	4	G4HE	CL541	198	DIN-4
	1.0	11.09 -	46	999	4	G4HE	CL541	198	DIN-4
	1.1	04.04 -	48	1086	4	G4HG	CL541	198	DIN-4
Picanto (TA)	1.0	05.11 -	51	998	3		CL903	230	pencil
	1.0 Bi-Fuel	05.11 -	60	998	3		CL903	230	pencil
	1.2	09.11 -	63	1248	4		CL904	230	pencil
Pride (DA)	1.1 i	01.91 -	38	1138	4	B1	CL558	202	DIN-1
	1.3 16V	01.90 -	44	1324	4	B3	CL558	202	DIN-1

CAR	MODEL	YEAR	kW	ccm	CYL	MOTOR	COILTYPE	PAGE	INFO
KIA									
Pride (DA)	1.3 16V	01.90 -	53	1324	4	B3	CL558	202	DIN-1
	1.3 16V	10.96 -	47	1324	4	B3	CL558	202	DIN-1
	1.3 i	01.90 -	51	1324	4		CL558	202	DIN-1
Pride Combi	1.3	08.99 -	47	1324	4		CL558	202	DIN-1
Pro Cee'd (ED)	1.6	02.08 -	90	1591	4	G4FC	CL584	209	pencil
	1.6	02.08 -	93	1591	4	G4FC	CL584	209	pencil
	1.6 CVVT	10.10 -	92	1591	4	G4FC	CL584	209	pencil
Rio (DC_)	1.3	09.00 - 02.05	55	1343	4		CL529	196	DIN-4
	1.3	08.02 - 02.05	60	1343	4		CL529	196	DIN-4
	1.5 16V	09.00 - 02.05	72	1493	4		CL530	196	DIN-4
Rio Combi (DC)	1.3	08.00 - 02.05	55	1343	4		CL529	196	DIN-4
	1.3	08.00 - 02.05	60	1343	4		CL529	196	DIN-4
	1.5 16V	08.00 - 02.05	72	1493	4		CL530	196	DIN-4
	1.5 16V	09.02 - 02.05	71	1493	4		CL530	196	DIN-4
Rio II (JB)	1.4 16V	03.05 -	71	1399	4	G4EE	CL546	199	DIN-4
							CL595	211	pencil
	1.6 CVVT	03.05 -	82	1599	4	G4ED	CL546	199	DIN-4
							CL595	211	pencil
Rio II Sedan (JB)	1.4 16V	03.05 -	71	1399	4	G4EE	CL546	199	DIN-4
							CL595	211	pencil
	1.6 16V	03.05 -	82	1599	4	G4ED	CL546	199	DIN-4
							CL595	211	pencil
Sephia (FA)	1.5 i	02.96 -	59	1498	4	B5	CL504	190	DIN-1
							CL589	210	pencil/PIN-1
	1.6 i	01.95 -	59	1598	4	B6	CL504	190	DIN-1
							CL505	190	pencil/PIN-1
Sephia Sedan (FA)	1.8 i 16V	01.95 -	82	1793	4	OK24N/OK26Y	CL505	190	pencil/PIN-1
	1.5 i	02.96 - 10.97	59	1498	4	B5	CL504	190	DIN-1
							CL589	210	pencil/PIN-1
	1.6 i	09.93 -	59	1598	4	B6	CL504	190	DIN-1
							CL505	190	pencil/PIN-1
Shuma (FB)	1.5 i 16V	10.97 - 03.01	65	1498	4		CL589	210	pencil/PIN-1
	1.8 i 16V	10.97 - 03.01	81	1793	4	T8	CL505	190	pencil/PIN-1
Shuma Sedan (FB)	1.5	03.96 - 12.98	59	1498	4	OK280	CL589	210	pencil/PIN-1
	1.5 i 16V	10.97 - 10.01	65	1498	4		CL589	210	pencil/PIN-1
Shuma II (FB)	1.6	05.01 - 08.04	75	1594	4	GAGD	CL530	196	DIN-4
Shuma II Sedan (FB)	1.6	05.01 - 05.04	75	1594	4	GAGD	CL530	196	DIN-4
Sorento (JC)	2.4	08.02 -	102	2351	4	G4JS	CL515	194	pencil/DIN-1
	3.3 V6	12.06 -	177	3297	6		CL593	211	pencil
	3.3 V6	11.07 -	182	3342	6	G6DB	CL593	211	pencil
	3.5 V6	08.02 -	143	3497	6	G6CU	CL553	201	pencil/PIN-1
Sorento (XM)	2.4 CVVT	11.09 -	128	2359	4	G4KE	CL593	211	pencil
	2.4 CVVT 4WD	11.09 -	128	2359	4	G4KE	CL593	211	pencil
Soul (AM)	1.6 CVVT	02.09 -	93	1591	4	G4FC	CL584	209	pencil
Sportage (K00)	2.0	10.00 - 08.03	87	1998	4		CL548	200	pencil/PIN-1
	2.0 4WD	10.00 - 08.03	87	1998	4		CL548	200	pencil/PIN-1
	2.0 i 16V	10.99 - 08.03	94	1998	4	FE (16V)	CL302	175	PIN-4
							CL548	200	pencil/PIN-1
	2.0 i 16V 4WD	04.94 - 08.03	94	1998	4	FE (16V)	CL302	175	PIN-4
						CL548	200	pencil/PIN-1	
Sportage (JE_)	2.0 i 4WD	04.94 - 08.99	70	1998	4	FE	CL544	199	PIN-4
	2.0 16V 4WD	09.04 -	104	1975	4	G4GC	CL565	205	DIN-4
Sportage (SL)	2.0 i 16V	09.04 -	104	1975	4	G4GC	CL565	205	DIN-4
	2.0 CVVT	07.10 -	120	1998	4	G4KD	CL902	230	pencil
	2.0 CVVT 4WD	07.10 -	120	1998	4	G4KD	CL902	230	pencil
Venga (YN)	1.6 CVVT	02.10 -	92	1591	4	G4FC	CL584	209	pencil
LANCIA									
Dedra (835)	1.6 16V	01.96 - 07.99	76	1581	4	182 A4.000	CL312	178	PIN-4
	1.6 i.e.	08.89 - 03.93	57	1581	4	835 A1.046	CL313	179	DIN-1
	1.6 i.e.	04.93 - 07.99	55	1581	4	835 C1.000	CL302	175	PIN-4

CAR	MODEL	YEAR	kW	ccm	CYL	MOTOR	COILTYPE	PAGE	INFO	
LANCIA										
Dedra (835)	1.8 16V LE	03.96 - 07.99	83	1747	4	182 A2.000	CL314	179	pencil	
	1.8 GT 16V	03.96 - 07.99	96	1747	4	183 A1.000	CL314	179	pencil	
	1.8 i.e.	07.94 - 07.99	74	1756	4	836 A5.000	CL300	174	DIN-2	
Dedra SW (835)	1.6 16V	01.96 - 07.99	76	1581	4	182 A4.000	CL312	178	PIN-4	
	1.8 16V LE	03.96 - 07.99	83	1747	4	182 A2.000	CL314	179	pencil	
	1.8 GT 16V	03.96 - 07.99	96	1747	4	183 A1.000	CL314	179	pencil	
Delta I (831AB0)	1.3	09.79 - 08.92	55	1301	4	831 A2.000/831 B.000	CL308	177	DIN-1	
	1.5	09.79 - 12.92	63	1498	4	831 A1.000/831 B1.000	CL308	177	DIN-1	
	2.0 16V HF Evo Integrale	06.93 - 01.94	155	1995	4	831 E5.046/831 E5.000	CL300	174	DIN-2	
Delta II (836)	1.4 i.e.	10.94 - 08.99	51	1372	4	836 A4.000	CL302	175	PIN-4	
	1.4 i.e.	10.94 - 08.99	51	1372	4	160 A1.046	CL313	179	DIN-1	
	1.6 i.e.	06.93 - 08.99	55	1581	4	835 C1.000	CL302	175	PIN-4	
	1.6 i.e.	03.96 - 08.99	66	1581	4	182 A6.000	CL312	178	PIN-4	
	1.6 i.e. 16V	01.96 - 08.99	76	1581	4	182 A4.000	CL312	178	PIN-4	
	1.8 i.e.	07.94 - 08.99	66	1756	4	835 C4.000/836 C4.000/836 A6.000	CL300	174	DIN-2	
	1.8 i.e.	06.93 - 08.99	76	1756	4	835 C2.000	CL314	179	pencil	
	1.8 i.e.	12.94 - 08.99	76	1756	4	835 C2.000	CL300	174	DIN-2	
	1.8 i.e. 16V	03.96 - 08.99	83	1747	4	182 A2.000	CL315	179	pencil	
	1.8 i.e. 16V GT	03.96 - 08.99	96	1747	4	183 A1.000	CL315	179	pencil	
	2.0 16V Turbo	06.93 - 08.99	137	1995	4	836 A2.000	CL300	174	DIN-2	
	2.0 16V Turbo	07.96 - 08.99	142	1995	4	175 A4.000	CL300	174	DIN-2	
	Delta III (844)	1.4	09.08 -	88	1368	4	198 A4.000	CL323	181	pencil
1.8		01.09 -	147	1742	4	939 B1.000	CL323	181	pencil	
Kappa (838A)	2.0 16V Turbo	02.95 - 10.01	151	1995	4	838 A4.000	CL302	175	PIN-4	
	2.0 20V	10.94 - 10.01	107	1998	5	838 A1.000	CL317	180	pencil	
	2.0 20V	07.96 - 10.01	114	1998	5	838 A6.000	CL317	180	pencil	
							CL318	180	pencil	
	2.0 20V Turbo	06.98 - 10.01	162	1998	5	175 A3.000	CL317	180	pencil	
	2.4 20V	08.94 - 10.01	129	2446	5	838 A2.000/838 A2.027	CL317	180	pencil	
							CL318	180	pencil	
Kappa Coupe (838)	2.0 16V Turbo	11.96 - 03.01	151	1995	4	838 A4.000	CL302	175	PIN-4	
	2.0 20V	07.96 - 03.01	114	1998	5	838 A6.000	CL317	180	pencil	
	2.0 20V Turbo	06.98 - 03.01	162	1998	5	175 A3.000	CL317	180	pencil	
	2.4 20V	11.96 - 03.01	129	2446	5	838 A2.000	CL317	180	pencil	
	3.0 24V	11.96 - 03.01	150	2959	6	838 B.000	CL320	181	pencil	
Kappa SW (838B)	2.0 16V Turbo	07.96 - 10.01	151	1995	4	838 A4.000	CL302	175	PIN-4	
	2.0 20V	07.96 - 10.01	114	1998	5	838 A6.000	CL317	180	pencil	
							CL318	180	pencil	
	2.0 20V Turbo	06.98 - 10.01	162	1998	5	175 A3.000	CL317	180	pencil	
	2.4 20V	07.96 - 10.01	129	2446	5	838 A2.000	CL317	180	pencil	
							CL318	180	pencil	
Lybra (839AX)	1.6 16V	07.99 -	76	1581	4	182 A4.000	CL312	178	PIN-4	
	1.8 16V	07.99 -	96	1747	4	839 A7.000/839 A9.000/839 A4.000	CL315	179	pencil	
	2.0 20V	07.99 - 09.00	113	1998	5	182 B7.000	CL318	180	pencil	
	2.0 20V	09.00 -	110	1998	5	185 A8.000	CL318	180	pencil	
	Lybra SW (839BX)	1.6 16V	07.99 -	76	1581	4	182 A4.000	CL312	178	PIN-4
		1.8 16V	07.99 -	96	1747	4	839 A7.000/839 A4.000	CL315	179	pencil
2.0 20V		07.99 - 09.00	113	1998	5	182 B7.000	CL318	180	pencil	
2.0 20V		09.00 -	110	1998	5	185 A8.000	CL318	180	pencil	
Musa (350)	1.4	10.04 -	70	1368	4	843 A 1.000	CL310	178	pencil	
	1.4	09.05 -	57	1368	4	350 A1.000	CL309	178	PIN-4	
Phedra (179)	3.0 V6	09.02 -	150	2946	6	E59 J45	CL135	159	pencil	
Thema (834)	2.0 16V	08.92 - 12.93	112	1995	4	834 F1.000	CL302	175	PIN-4	
	2.0 16V Turbo	12.88 - 06.90	133	1995	4	834 C1.000	CL300	174	DIN-2	
	2.0 16V Turbo	10.92 - 07.94	148	1995	4	834 F2.000	CL302	175	PIN-4	
	2.0 i.e.	03.86 - 09.88	83	1995	4	834 B.048	CL313	179	DIN-1	
	2.0 i.e.	09.87 - 05.92	85	1995	4	834 B.146	CL302	175	PIN-4	

CAR	MODEL	YEAR	kW	ccm	CYL	MOTOR	COILTYPE	PAGE	INFO
LANCIA									
Thema (834)	2.0 i.e.	10.88 - 05.92	85	1995	4	834 B.146	CL313	179	DIN-1
	2.0 i.e.	09.88 - 05.92	86	1995	4	834 B1.000	CL313	179	DIN-1
	2.0 i.e.Turbo	07.86 - 05.90	110	1995	4	834 C.146	CL313	179	DIN-1
	2.0 i.e. 16V	02.89 - 05.92	104	1995	4	834 B2.246	CL300	174	DIN-2
	2.0 i.e. 16V Turbo	04.89 - 05.92	130	1995	4	834 C1.246	CL300	174	DIN-2
Thema SW (834)	2.0 Turbo	01.89 - 03.92	110	1995	4	834 C.146	CL300	174	DIN-2
	2.0 16V	05.92 - 07.94	112	1995	4	834 F1.000	CL302	175	PIN-4
	2.0 Turbo 16V	11.92 - 07.94	148	1995	4	834 F2.000	CL302	175	PIN-4
	2.0 i.e. 16V	02.89 - 05.92	104	1995	4	834 B2.246	CL300	174	DIN-2
	2.0 i.e. 16V Turbo	12.88 - 06.90	133	1995	4	834 C1.000	CL300	174	DIN-2
Thesis (841AX)	2.0 Turbo	07.02 -	136	1998	5	841 E.000	CL318	180	pencil
	2.4	07.02 -	125	2446	5	841 D.000	CL318	180	pencil
	3.0 V6	07.02 -	158	2959	6	841 A.000	CL320	181	pencil
	3.2 V6	05.03 -	169	3179	6	841 L.000	CL320	181	pencil
	Y (840A)	1.1	11.95 - 09.03	40	1108	4	176 B2.000	CL300	174
1.2		03.96 - 09.03	44	1242	4	840 A3.000/188 A4.000	CL300	174	DIN-2
1.2 16V		04.97 - 09.03	63	1242	4	176 B9.000	CL300	174	DIN-2
1.2 16V		10.00 - 09.03	59	1242	4	188 A5.000	CL302	175	PIN-4
1.4 12V		03.96 - 09.03	55	1370	4	840 A4.000	CL302	175	PIN-4
1.4 12V		10.96 - 09.03	59	1370	4	840 A2.000	CL302	175	PIN-4
Y10 (156)	1.0 Fire	06.85 - 06.91	32	999	4	156 A 2.100	CL304	176	DIN-1
	1.0 Fire	03.85 - 06.89	33	999	4	156 A 2.000	CL304	176	DIN-1
	1.0 Fire	03.85 - 07.89	41	1049	4	156 A.000	CL308	177	DIN-1
	1.0 Fire 4WD	12.86 - 02.89	32	999	4	156 A 2.100	CL304	176	DIN-1
	1.0 Fire cat	10.87 - 02.92	33	999	4	156 A2.246	CL304	176	DIN-1
	1.1 Avenue	01.95 - 12.95	40	1108	4	176 B2.000	CL302	175	PIN-4
	1.1 Avenue 4WD	01.95 - 12.95	40	1108	4	176 B2.000	CL302	175	PIN-4
	1.1 i.e.	08.89 - 06.92	42	1108	4	156 C.000	CL308	177	DIN-1
	1.1 i.e. 4WD	08.89 - 06.92	42	1108	4	156 C.000	CL308	177	DIN-1
	1.1 i.e. Fire	07.89 - 09.92	37	1108	4	156 C.046	CL304	176	DIN-1
	1.1 i.e. Fire	10.92 - 09.95	37	1108	4	156 C.046	CL302	175	PIN-4
	1.1 i.e. Fire 4WD	09.92 - 09.92	37	1108	4	156 C.046	CL304	176	DIN-1
	1.1 i.e. Fire 4WD	10.92 - 12.95	37	1108	4	156 C.046	CL302	175	PIN-4
	1.3 i.e. Fire	02.89 - 12.95	53	1297	4	156 B.000/146 A 5.046	CL303	176	DIN-1
1.3 i.e. Fire	09.92 - 12.95	53	1297	4	156 B.000/146 A 5.046	CL313	179	DIN-1	
Ypsilon (843)	1.2	10.03 -	44	1242	4	188 A4.000	CL300	174	DIN-2
	1.2	10.03 -	59	1242	4	188 A5.000	CL310	178	pencil
	1.4	02.06 -	57	1368	4	350 A1.000	CL309	178	PIN-4
	1.4 16V	10.03 -	70	1368	4	843 A 1.000	CL310	178	pencil
Zeta (220)	2.0 16V	07.00 - 09.02	100	1997	4	RFN	CL107	147	PIN-1
	2.0 Turbo	05.95 - 09.02	108	1998	4	RGX	CL107	147	PIN-1
LANDROVER									
Discovery II (LJ, LT)	4.0 V8	11.98 - 06.04	136	3950	8		CL302	175	PIN-4
Freelander (LN)	1.8 16V	11.00 -	86	1796	4	18 K4F	CL711	228	pencil/DIN-1
	2.5 V6	11.00 -	130	2497	6	25 K4F	CL702	226	pencil
Freelander Soft Top	1.8 i 16V	02.98 -	88	1796	4	18 K4F	CL700	226	SAE
Range Rover II (LP)	3.9	07.94 - 03.02	140	3947	8	42 D	CL302	175	PIN-4
	4.0	06.98 - 03.02	136	3950	8		CL302	175	PIN-4
	4.6	07.94 - 03.02	165	4553	8	46 D	CL302	175	PIN-4
	4.6	06.98 - 03.02	160	4554	8		CL302	175	PIN-4
Range Rover III (LM)	4.4	03.02 -	210	4398	8		CL600	212	pencil
LEXUS									
ES 250 (F1, F2)	2.5	12.89 - 09.91	118	2507	6	2VZ-FE	CL574	207	DIN-1
GS 430 (JZS160)	4.3	11.00 - 03.05	208	4293	8	3UZ-FE	CL575	207	pencil
IS 200 I (GXE10)	2.0	04.99 -	114	1988	6	1G-FE	CL575	207	pencil
IS 200 Sportcross	2.0	10.02 -	114	1988	6	1G-FE	CL575	207	pencil
LS 400 (UCF10)	4.0	12.89 - 12.94	180	3969	8	1UZ-FE	CL578	207	DIN5-1
	4.0	12.94 - 08.97	194	3969	8	1UZ-FE	CL578	207	DIN5-1
	4.0	09.97 -	209	3969	8	1UZ-FE	CL578	207	DIN5-1

CAR	MODEL	YEAR	kW	ccm	CYL	MOTOR	COILTYPE	PAGE	INFO
LEXUS									
LS 400 (UCF10)	4.0	09.98 -	203	3969	8	1UZ-FE	CL578	207	DIN5-1
LS 430 (FE)	4.3	10.00 -	207	4293	8	3UZ-FE	CL575	207	pencil
RX 300 (XU1)	3.0V6	10.00 - 05.03	148	2995	6	1MZ-FE	CL571	206	pencil
RX 300 (MCU_)	3.0	05.03 -	150	2995	6	1MZ-FE	CL571	206	pencil
SC 430	4.3	08.01 -	210	4293	8	3UZ-FE	CL575	207	pencil
MAZDA									
121 I (DA)	1.1	10.87 - 10.90	42	1139	4	B1/B116	CL507	190	DIN-1
	1.3	10.87 - 11.90	44	1324	4	B3	CL507	190	DIN-1
	1.3	04.89 - 10.90	40	1324	4	B3	CL507	190	DIN-1
121 II (DB)	1.3 16V	11.90 - 03.96	39	1324	4	B3 (16V)	CL507	190	DIN-1
	1.3 i 16V	11.90 - 03.96	53	1324	4	B3 (16V)	CL507	190	DIN-1
121 III (JASM, JBSM)	1.25	03.96 -	55	1242	4	DHG/DHF	CL401	183	PIN-4
	1.3	03.96 -	37	1299	4	JJM/JJK	CL401	183	PIN-4
2 (DE)	1.3	10.07 -	55	1349	4	ZJ-VE	CL905	230	pencil
	1.3	10.07 -	63	1349	4	ZJ-VE	CL905	230	pencil
	1.4 MZR-CD	01.08 -	50	1399	4		CL905	230	pencil
	1.5	10.07 -	76	1498	4	ZY-DE/ZY-VE	CL905	230	pencil
2 (DY)	1.25	04.03 - 02.05	55	1242	4	FUJA	CL401	183	PIN-4
	1.25	02.05 -	55	1242	4	FUJA	CL403	184	PIN-4
	1.4	04.03 - 02.05	59	1388	4	FXJA	CL401	183	PIN-4
	1.4	02.05 -	59	1388	4	FXJA	CL403	184	PIN-4
	1.6	04.03 - 02.05	74	1596	4	FYJA	CL401	183	PIN-4
	1.6	02.05 -	74	1596	4	FYJA	CL403	184	PIN-4
3 (BK)	2.3 MPS	12.06 -	191	2261	4	L3-VDT/L3N9	CL599	212	pencil
3 (BL)	1.6 MZR	06.09 -	77	1598	4	Z6	CL905	230	pencil
	1.6 MZR CD	11.10 -	85	1560	4		CL905	230	pencil
3 Sedan (BK)	1.6	02.04 -	77	1598	4	Z6	CL905	230	pencil
	2.0	02.04 -	110	1999	4	LF17	CL405	185	pencil
3 Sedan (BL)	1.6 MZR	06.09 -	77	1598	4	Z6	CL905	230	pencil
323 C IV (BG)	1.3	09.89 - 07.94	49	1324	4	B3E	CL507	190	DIN-1
	1.3 16V	09.89 - 07.94	54	1324	4	B3 (16V)	CL507	190	DIN-1
	1.3 16V	04.91 - 07.94	54	1324	4	B3 (16V)	CL506	190	DIN-1
	1.6	09.89 - 06.91	62	1598	4	B6E	CL507	190	DIN-1
	1.6 16V	03.91 - 10.94	65	1598	4	B6	CL507	190	DIN-1
	1.8 16V	09.89 - 03.93	103	1840	4	BP22/BP31	CL506	190	DIN-1
	1.8 16V 4WD	11.91 - 12.93	76	1840	4	BP	CL506	190	DIN-1
	1.8 16V GT	09.89 - 03.93	94	1840	4	BP (DOHC)	CL506	190	DIN-1
	1.8 16V Turbo 4WD	09.90 - 12.92	120	1840	4	BP Turbo	CL506	190	DIN-1
	1.8 16V Turbo 4WD	01.93 - 07.94	136	1840	4	BP Turbo	CL506	190	DIN-1
	323 CV (BA)	1.3 16V	08.94 - 09.98	54	1324	4	B3 (16V)	CL507	190
323 F IV (BG)	1.6	09.89 - 06.91	62	1598	4	B6E	CL506	190	DIN-1
							CL507	190	DIN-1
	1.6 16V	03.91 - 10.94	65	1598	4	B6	CL506	190	DIN-1
							CL507	190	DIN-1
	1.8 4WD	01.91 - 04.94	76	1840	4	BPC	CL506	190	DIN-1
	1.8 16V	08.89 - 07.94	76	1840	4	BP	CL506	190	DIN-1
	1.8 16V	09.89 - 03.93	103	1840	4	BP31	CL506	190	DIN-1
	1.8 16V GT	08.89 - 07.94	94	1840	4	BP (DOHC)	CL506	190	DIN-1
323 F VI (BJ)	1.5 16V	09.98 - 01.01	65	1498	4		CL594	211	pencil/DIN5-1
	1.6	01.01 - 05.04	70	1598	4	ZM	CL594	211	pencil/DIN5-1
	1.6	01.01 - 05.04	72	1598	4	ZM	CL594	211	pencil/DIN5-1
	1.9 16V	09.98 - 01.01	84	1840	4		CL572	206	pencil/DIN5-1
	2.0	01.01 - 05.04	96	1991	4	FS7G/FS7E	CL572	206	pencil/DIN5-1
323 III (BF)	1.4	04.87 - 07.89	44	1324	4	B3	CL507	190	DIN-1
323 III Hatchback (BF)	1.4	09.87 - 10.89	44	1324	4	B3	CL507	190	DIN-1
323 III Station Wagon (BW)	1.6	09.86 - 10.95	63	1598	4	B65M /B6/B6E	CL507	190	DIN-1
	1.6 4x4	05.90 - 03.93	63	1598	4	B65M /B6E	CL507	190	DIN-1
323 S IV (BG)	1.3	09.89 - 06.91	49	1324	4	B3E/B383	CL507	190	DIN-1
	1.3 16V	04.91 - 07.94	54	1324	4	B3 (16V)	CL506	190	DIN-1
							CL507	190	DIN-1

Mazda

CAR	MODEL	YEAR	kW	ccm	CYL	MOTOR	COILTYPE	PAGE	INFO												
MAZDA																					
323 S IV (BG)	1.6	09.89 - 06.91	62	1598	4	B6E	CL506	190	DIN-1												
							CL507	190	DIN-1												
	1.6 16V	08.89 - 10.94	65	1598	4	B6	CL506	190	DIN-1												
							CL507	190	DIN-1												
							CL506	190	DIN-1												
323 S V (BA)	1.3 16V	08.94 - 09.98	54	1324	4	B3 (16V)	CL507	190	DIN-1												
							323 S VI (BJ)	1.5 16V	09.98 - 01.01	65	1498	4	CL594	211	pencil/DIN5-1						
													1.6	01.01 - 05.04	70	1598	4	ZM	CL594	211	pencil/DIN5-1
																			CL594	211	pencil/DIN5-1
																			CL572	206	pencil/DIN5-1
1.9 16V	09.98 - 05.04	84	1840	4		CL572	206	pencil/DIN5-1													
						CL572	206	pencil/DIN5-1													
6 (GG)	1.8	08.02 -	88	1798	4	L813	CL906	230	PIN-4												
							CL906	230	PIN-4												
6 (GH)	2.0 MZR	08.07 -	108	1999	4	LF17	CL599	212	pencil												
							CL599	212	pencil												
6 CC (GH)	2.0 MZR	08.07 -	108	1999	4	LF17	CL599	212	pencil												
							CL599	212	pencil												
6 Combi (GH)	2.0 MZR	02.08 -	108	1999	4	LF17	CL599	212	pencil												
							CL599	212	pencil												
6 Hatchback (GG)	1.8	08.02 -	88	1798	4	L813	CL906	230	PIN-4												
							CL906	230	PIN-4												
6 Station Wagon (GY)	1.8	08.02 -	88	1798	4	L813	CL906	230	PIN-4												
							CL906	230	PIN-4												
							CL599	212	pencil												
626 III (GD)	2.0 12V	09.87 - 05.92	79	1998	4	FE (12V)	CL559	203	DIN-1												
							CL559	203	DIN-1												
							CL559	203	DIN-1												
							CL559	203	DIN-1												
626 III Coupe (GD)	2.0 12V	09.87 - 12.88	79	1984	4	FE (12V)	CL559	203	DIN-1												
							CL559	203	DIN-1												
							CL559	203	DIN-1												
							CL559	203	DIN-1												
626 III Hatchback (GD)	2.0 12V	11.87 - 05.92	79	1984	4	FE (12V)	CL559	203	DIN-1												
							CL559	203	DIN-1												
							CL559	203	DIN-1												
							CL559	203	DIN-1												
626 III Station Wagon (GV)	2.0	10.88 - 09.97	66	1998	4	FE	CL559	203	DIN-1												
							CL559	203	DIN-1												
							CL559	203	DIN-1												
							CL559	203	DIN-1												
626 V (GF)	1.8	05.97 - 12.99	66	1840	4	FPY3	CL400	182	Ford-4												
							CL400	182	Ford-4												
							CL400	182	Ford-4												
							CL400	182	Ford-4												
626 V Hatchback (GF)	1.8	05.97 - 12.99	66	1840	4	FP	CL400	182	Ford-4												
							CL400	182	Ford-4												
							CL400	182	Ford-4												
							CL400	182	Ford-4												
626 V Station Wagon (GW)	1.8	02.98 - 01.00	66	1840	4	FP9A	CL400	182	Ford-4												
							CL400	182	Ford-4												
							CL400	182	Ford-4												
							CL400	182	Ford-4												
929 III (HC)	3.0	06.87 - 06.91	140	2954	6	JE	CL559	203	DIN-1												
							CL559	203	DIN-1												
							CL559	203	DIN-1												
CX-7 (ER)	2.3 MZR DISI Turbo	10.07 -	190	2261	4	L3-VDT	CL599	212	pencil												
							CL599	212	pencil												
MPV II (LW)	2.0	08.00 - 07.02	88	1991	4	FS	CL400	182	Ford-4												
							CL400	182	Ford-4												
MX-3 (EC)	1.6 i	07.91 -	65	1598	4	B69	CL906	230	PIN-4												
							CL906	230	PIN-4												

A

CAR	MODEL	YEAR	KW	CCM	CYL	MOTOR	COILTYPE	PAGE	INFO
MAZDA									
MX-3 (EC)	1.6 i	01.94 -	79	1598	4	B6D	CL506	190	DIN-1
MX-5 I (NA)	1.6	05.90 - 01.94	85	1598	4	B64F	CL573	206	DIN-4
	1.6	01.95 - 04.98	66	1598	4		CL573	206	DIN-4
MX-5 II (NB)	1.6 16V	05.98 - 10.05	81	1598	4	B6D	CL573	206	DIN-4
MX-5 III (NC)	2.0	03.05 -	118	1999	4	LF62/LF-DE	CL599	212	pencil
Premacy (CP)	1.8	07.99 -	74	1840	4	FP	CL572	206	pencil/DIN5-1
	1.9	07.99 -	84	1840	4	FP	CL572	206	pencil/DIN5-1
	2.0	11.01 -	96	1991	4	FS7G/FS7E	CL572	206	pencil/DIN5-1
Tribute (EP)	2.0	03.00 -	91	1989	4	YF	CL401	183	PIN-4
	2.0 4WD	03.00 -	91	1989	4	YF	CL401	183	PIN-4
	2.3 AWD	04.04 -	110	2261	4	L3-VE	CL405	185	pencil
MERCEDES									
190 E (W201)	2.3	09.85 - 12.87	125	2298	4	M 102.983	CL609	219	DIN-1
							CL614	221	DIN-1
190 E (W201)	2.3	09.85 - 08.88	130	2298	4	M 102.983	CL609	219	DIN-1
							CL614	221	DIN-1
190 E (W201)	2.3	04.84 - 01.87	136	2298	4	M 102.983	CL609	219	DIN-1
							CL614	221	DIN-1
190 E (W201)	2.5	03.89 - 08.93	143	2498	4	M 102.991	CL609	219	DIN-1
							CL614	221	DIN-1
190 E (W201)	2.5	09.88 - 08.93	150	2498	4	M 102.990	CL609	219	DIN-1
							CL614	221	DIN-1
190 E II (W201)	2.5	05.90 - 08.93	173	2498	4	M 102.992	CL609	219	DIN-1
							CL614	221	DIN-1
200 (W124)	2.0	01.86 - 05.90	75	1996	4	M 102.922	CL609	219	DIN-1
							CL614	221	DIN-1
200 (W124)	2.0	01.86 - 05.90	77	1996	4	M 102.922	CL609	219	DIN-1
							CL614	221	DIN-1
200 (W124)	2.0	12.85 - 05.90	80	1996	4	M 102.922	CL609	219	DIN-1
							CL614	221	DIN-1
200 E (W124)	2.0	09.88 - 08.92	87	1996	4	M 102.963	CL609	219	DIN-1
							CL614	221	DIN-1
200 E (W124)	2.0	09.88 - 12.89	90	1996	4	M 102.963	CL609	219	DIN-1
							CL614	221	DIN-1
200 E (W124)	2.0	10.92 - 06.93	100	1998	4	M 111.940	CL611	220	PIN-2
200 T (S124)	2.0	01.86 - 05.90	77	1996	4	M 102.922	CL609	219	DIN-1
							CL614	221	DIN-1
200 T (S124)	2.0	09.85 - 08.89	80	1996	4	M 102.922	CL609	219	DIN-1
							CL614	221	DIN-1
200 TE (S124)	2.0	09.88 - 08.92	87	1996	4	M 102.963	CL609	219	DIN-1
							CL614	221	DIN-1
200 TE (S124)	2.0	09.88 - 12.89	90	1996	4	M 102.962	CL609	219	DIN-1
							CL614	221	DIN-1
200 TE (S124)	2.0	10.92 - 06.93	100	1998	4	M 111.940	CL611	220	PIN-2
220 CE Coupe (C124)	2.2	10.92 - 05.93	110	2199	4	M 111.960	CL611	220	PIN-2
220 E (W124)	2.2	10.92 - 06.93	110	2199	4	M 111.960	CL611	220	PIN-2
220 TE (S124)	2.2	10.92 - 05.93	110	2199	4	M 111.960	CL611	220	PIN-2
230 CE Coupe (C124)	2.3	03.87 - 12.92	100	2298	4	M 102.982	CL609	219	DIN-1
							CL614	221	DIN-1
230 CE Coupe (C124)	2.3	06.89 - 12.92	97	2298	4	M 102.982	CL609	219	DIN-1
							CL614	221	DIN-1
230 CE Coupe (C124)	2.3	03.87 - 12.92	97	2298	4	M 102.982	CL609	219	DIN-1
							CL614	221	DIN-1
230 E (W124)	2.3	12.84 - 03.92	97	2298	4	M 102.982	CL609	219	DIN-1
							CL614	221	DIN-1
230 E (W124)	2.3	01.85 - 06.93	100	2298	4	M 102.982	CL609	219	DIN-1
							CL614	221	DIN-1
230 E (W124)	2.3 cat	06.89 - 06.93	97	2298	4	M 102.982	CL609	219	DIN-1
							CL614	221	DIN-1

Mercedes

CAR	MODEL	YEAR	kW	ccm	CYL	MOTOR	COILTYPE	PAGE	INFO
MERCEDES									
230 GE (W463)	2.3	06.90 - 06.93	93	2298	4	M 102.989	CL609	219	DIN-1
							CL614	221	DIN-1
230 GE Cabrio (W463)	2.3	06.90 - 02.93	93	2298	4	M 102.989	CL609	219	DIN-1
							CL614	221	DIN-1
230 TE (S124)	2.3	09.85 - 08.92	100	2298	4	M 102.982	CL609	219	DIN-1
							CL614	221	DIN-1
230 TE (S124)	2.3	09.85 - 08.92	97	2298	4	M 102.982	CL609	219	DIN-1
							CL614	221	DIN-1
230 TE (S124)	2.3 cat	06.89 - 08.92	97	2298	4	M 102.982	CL609	219	DIN-1
							CL614	221	DIN-1
260 E (W124)	2.6	09.85 - 08.92	118	2597	6	M 103.940	CL609	219	DIN-1
							CL614	221	DIN-1
260 E (W124)	2.6	09.85 - 12.89	122	2597	6	M 103.940	CL609	219	DIN-1
							CL614	221	DIN-1
260 E 4-matic (W124)	2.6	09.86 - 08.92	118	2597	6	M 103.943	CL609	219	DIN-1
							CL609	219	DIN-1
260 SE (W126)	2.6	09.85 - 06.91	118	2597	6	M 103.941	CL609	219	DIN-1
							CL614	221	DIN-1
260 SE (W126)	2.6	09.85 - 06.91	122	2597	6	M 103.941	CL609	219	DIN-1
							CL614	221	DIN-1
280 4-matic (X204)	3.0	06.08 - 06.09	170	2996	6	M 272.948	CL621	224	pencil
280 E (W124)	2.8	10.92 - 06.93	145	2799	6	M 104.942	CL604	216	pencil/PIN-1
280 TE (S124)	2.8	10.92 - 06.93	145	2799	6	M 104.942	CL604	216	pencil/PIN-1
300 4-matic (X204)	3.0	07.09 - 04.11	170	2996	6	M 272.948	CL621	224	pencil
300 CE Cabriolet (A124)	3.0	04.92 - 06.93	162	2960	6	M 104.980	CL612	220	DIN-1
300 CE Coupe (C124)	3.0	09.89 - 12.92	162	2960	6	M 104.980	CL612	220	DIN-1
300 E (W124)	3.0	09.88 - 08.92	162	2960	6	M 104.980	CL612	220	DIN-1
300 GE (W463)	3.0	06.90 -	128	2960	6	M 103.987	CL609	219	DIN-1
							CL612	220	DIN-1
							CL614	221	DIN-1
300 GE (W463)	3.0	06.90 -	125	2960	6	M 103.987	CL609	219	DIN-1
							CL614	221	DIN-1
300 GE Cabrio (W463)	3.0	09.89 - 09.97	125	2960	6	M 103.987	CL609	219	DIN-1
							CL614	221	DIN-1
300 SE,SEL (W126)	3.0	01.86 - 06.91	132	2960	6	M 103.981	CL609	219	DIN-1
							CL614	221	DIN-1
300 SE,SEL (W126)	3.0	09.85 - 12.89	138	2960	6	M 103.981	CL609	219	DIN-1
							CL614	221	DIN-1
300 SL (R129)	3.0	03.89 - 08.93	140	2960	6	M 103.984	CL614	221	DIN-1
							CL613	221	DIN-1
300 TE (S124)	3.0	09.89 - 08.92	162	2960	6	M 104.980	CL612	220	DIN-1
320 CE (C124) Coupe	3.2	10.92 - 05.93	162	3199	6	M 104.992	CL604	216	pencil/PIN-1
320 E (W124)	3.2	10.92 - 06.93	162	3199	6	M 104.992	CL604	216	pencil/PIN-1
320 TE (S124)	3.2	10.92 - 06.93	162	3199	6	M 104.992	CL604	216	pencil/PIN-1
350 4-matic (X204)	3.5	06.08 - 04.11	200	3498	6	M 272.971	CL621	224	pencil
380 SE,SEL (W126)	3.8	12.79 - 08.85	150	3839	8	M 116.963	CL609	219	DIN-1
380 SEC (C126)	3.8	10.81 - 07.85	150	3839	8	M 116.963	CL609	219	DIN-1
400 E (W124)	4.2	10.92 - 06.93	205	4196	8	M 119.975	CL612	220	DIN-1
							CL613	221	DIN-1
420 SE,SEL (W126)	4.2	10.85 - 06.91	150	4196	8	M 116.965	CL612	220	DIN-1
			160	4196	8	M 116.965	CL612	220	DIN-1
			165	4196	8	M 116.965	CL612	220	DIN-1
			170	4196	8	M 116.965	CL612	220	DIN-1
420 SEC (C126)	4.2	10.85 - 06.91	150	4196	8	M 116.965	CL612	220	DIN-1
			160	4196	8	M 116.965	CL612	220	DIN-1
			165	4196	8	M 116.965	CL612	220	DIN-1
420 SL (R107)	4.2	01.86 - 08.89	150	4196	8	M 116.964	CL613	221	DIN-1
420 SL (R107)	4.2	01.86 - 08.89	160	4196	8	M 116.964	CL613	221	DIN-1

Mercedes

CAR	MODEL	YEAR	kW	ccm	CYL	MOTOR	COILTYPE	PAGE	INFO
MERCEDES									
500 E (W124)	5.0	01.91 - 06.93	240	4973	8	M 119.974	CL609	219	DIN-1
							CL612	220	DIN-1
							CL613	221	DIN-1
							CL614	221	DIN-1
500 E AMG (W124)	6.0	01.92 - 06.93	275	5956	8		CL609	219	DIN-1
							CL613	221	DIN-1
							CL614	221	DIN-1
500 SE,SEL (W126)	5.0	12.79 - 08.85	170	4973	8	M 117.961/M 117.963	CL609	219	DIN-1
	5.0	12.79 - 08.85	177	4973	8	M 117.961/M 117.963	CL609	219	DIN-1
	5.0	09.85 - 06.91	164	4973	8	M 117.965	CL612	220	DIN-1
	5.0	09.85 - 06.91	180	4973	8	M 117.965	CL612	220	DIN-1
	5.0	09.87 - 06.91	185	4973	8	M 117.965	CL612	220	DIN-1
	5.0	09.87 - 06.91	195	4973	8	M 117.965	CL612	220	DIN-1
	5.0 cat	06.89 - 06.91	185	4973	8	M 117.965	CL612	220	DIN-1
500 SEC (C126)	5.0	10.85 - 06.91	164	4973	8	M 117.965	CL612	220	DIN-1
	5.0	10.81 - 08.85	170	4973	8	M 117.963	CL609	219	DIN-1
	5.0	09.85 - 06.91	180	4973	8	M 117.965	CL612	220	DIN-1
	5.0	08.87 - 06.91	185	4973	8	M 117.965	CL612	220	DIN-1
	5.0	09.85 - 06.91	195	4973	8	M 117.965	CL612	220	DIN-1
	5.0 cat	06.89 - 06.91	185	4973	8	M 117.965	CL612	220	DIN-1
500 SL (R107)	5.0	01.86 - 08.89	164	4973	8	M 117.964	CL613	221	DIN-1
	5.0	05.80 - 12.85	170	4973	8	M 117.960	CL609	219	DIN-1
	5.0	05.80 - 12.81	177	4973	8	M 117.960	CL609	219	DIN-1
	5.0	01.86 - 08.89	180	4973	8	M 117.964/M 117.960	CL613	221	DIN-1
500 SL (R129)	5.0	09.89 - 08.92	240	4973	8	M 119.960/M 119.972	CL609	219	DIN-1
							CL614	221	DIN-1
560 SE,SEL (W126)	5.5	10.85 - 06.91	178	5547	8	M 117.968	CL612	220	DIN-1
	5.5	10.85 - 12.87	200	5547	8	M 117.968	CL612	220	DIN-1
	5.5	08.87 - 06.91	205	5547	8	M 117.968	CL612	220	DIN-1
	5.5	10.85 - 06.91	220	5547	8	M 117.968	CL612	220	DIN-1
560 SEC (C126)	5.5	10.85 - 06.91	178	5547	8	M 117.968	CL612	220	DIN-1
	5.5	10.85 - 12.87	200	5547	8	M 117.968	CL612	220	DIN-1
	5.5	10.85 - 06.91	205	5547	8	M 117.968	CL612	220	DIN-1
A 140 (W168)	1.4	07.97 - 08.04	60	1397	4	M 166.940	CL610	220	rail
	1.6	01.01 - 08.04	60	1598	4	M 166.960	CL610	220	rail
A 150 (W169)	1.5	09.04 -	70	1498	4	M 266.920	CL605	217	PIN-2
A 160 (W168)	1.6	07.97 - 08.04	75	1598	4	M 166.960	CL610	220	rail
A 160 (W169)	1.5	04.09 -	70	1498	4	M 266.920	CL605	217	PIN-2
A 170 (W169)	1.7	09.04 -	85	1699	4	M 266.940	CL605	217	PIN-2
A 180 (W169)	1.7	04.09 -	85	1699	4	M 266.940	CL605	217	PIN-2
A 190 (W168)	1.9	03.99 - 08.04	92	1898	4	M 166.990	CL610	220	rail
A 200 (W169)	2.0	09.04 -	100	2034	4	M 266.960	CL605	217	PIN-2
A 200 Turbo (W169)	2.0	09.05 -	142	2034	4	M 266.980	CL605	217	PIN-2
A 210 (W168)	2.1	03.02 - 08.04	103	2084	4	M 166.995	CL610	220	rail
B 150 (W245)	1.5	03.05 -	70	1498	4	M 266.920	CL605	217	PIN-2
B 160 (W245)	1.5	04.09 -	70	1498	4	M 266.920	CL605	217	PIN-2
B 170 (W245)	1.7	03.05 -	85	1699	4	M 266.940	CL605	217	PIN-2
B 180 (W245)	1.7	04.09 -	85	1699	4	M 266.940	CL605	217	PIN-2
B 200 (W245)	2.0	03.05 -	100	2034	4	M 266.960	CL605	217	PIN-2
B 200 Turbo (W245)	2.0	03.05 -	142	2034	4	M 266.980	CL605	217	PIN-2
C 160 Kompr. Coupe (CL203)	1.8	05.02 - 11.06	90	1796	4	M 271.921	CL618	223	pencil
	1.8	11.06 - 06.11	90	1796	4	M 271.921	CL622	225	pencil
C 180 (S203)	2.0	03.01 - 05.02	95	1998	4	M 111.951	CL616	222	pencil
C 180 (W202)	1.8	03.93 - 05.00	90	1799	4	M 111.921/M 111.920	CL604	216	pencil/PIN-1
							CL606	218	pencil/PIN-1
							CL611	220	PIN-2
C 180 (W202)	1.8	11.94 - 05.00	89	1799	4	M 111.921	CL604	216	pencil/PIN-1
							CL606	218	pencil/PIN-1
C 180 (W203)	2.0	10.00 - 05.02	95	1998	4	M 111.951	CL616	222	pencil

Mercedes

CAR	MODEL	YEAR	kW	ccm	CYL	MOTOR	COILTYPE	PAGE	INFO
MERCEDES									
C 180 CGI (W204)	1.8	01.07 -	115	1796	4	M 271.820	CL622	225	pencil
C 180 Coupe (CL203)	2.0	03.01 - 05.02	95	1998	4	M 111.951	CL616	222	pencil
C 180 Kompressor (W204)	1.6	01.08 -	115	1597	4	M 271.910	CL622	225	pencil
	1.8	01.07 -	115	1796	4	M 271.952	CL622	225	pencil
C 180 Kompressor (S203)	1.8	05.02 - 11.06	105	1796	4	M 271.946	CL618	223	pencil
	1.8	11.06 - 08.07	105	1796	4	M 271.946	CL622	225	pencil
C 180 Kompressor (S204)	1.6	01.08 -	115	1597	4	M 271.910	CL622	225	pencil
	1.8	08.07 -	115	1796	4	M 271.952	CL622	225	pencil
C 180 Kompressor (W203)	1.8	05.02 - 11.06	105	1796	4	M 271.946	CL618	223	pencil
	1.8	11.06 -	105	1796	4	M 271.946	CL622	225	pencil
C 180 Kompr. Coupe (CL203)	1.8	05.02 - 11.06	105	1796	4	M 271.946	CL618	223	pencil
	1.8	11.06 - 06.11	105	1796	4	M 271.946	CL622	225	pencil
C 180 T (S202)	1.8	06.96 - 09.00	90	1799	4	M 111.921/M 111.920	CL604	216	pencil/PIN-1
							CL606	218	pencil/PIN-1
							CL611	220	PIN-2
C 180 T (S202)	2.0	09.00 - 03.01	95	1998	4	M 111.952	CL616	222	pencil
C 200 (W202)	2.0	01.94 - 05.00	100	1998	4	M 111.945/M 111.941	CL604	216	pencil/PIN-1
							CL606	218	pencil/PIN-1
							CL611	220	PIN-2
C 200 CGI (W204)	1.8	01.07 -	135	1796	4	M 271.820	CL622	225	pencil
C 200 CGI Kompressor (S203)	1.8	07.03 - 11.06	125	1796	4	M 271.942	CL618	223	pencil
	1.8	11.06 - 08.07	125	1796	4	M 271.942	CL622	225	pencil
C 200 CGI Kompressor (W203)	1.8	07.03 - 11.06	125	1796	4	M 271.942	CL618	223	pencil
	1.8	11.06 -	125	1796	4	M 271.942	CL622	225	pencil
C 200 CGI Kompr. Coupe (CL203)	1.8	03.03 - 11.06	125	1796	4	M 271.942	CL618	223	pencil
	1.8	11.06 - 06.11	125	1796	4	M 271.942	CL622	225	pencil
C 200 Kompressor (W204)	1.8	01.07 -	135	1796	4	M 271.950	CL622	225	pencil
C 200 Kompressor (S203)	1.8	05.02 - 11.06	120	1796	4	M 271.940	CL618	223	pencil
	1.8	11.06 - 08.07	120	1796	4	M 271.940	CL622	225	pencil
C 200 Kompressor (S203)	2.0	03.01 - 05.02	120	1998	4	M 111.955	CL616	222	pencil
C 200 Kompressor (S204)	1.8	08.07 -	135	1796	4	M 271.950	CL622	225	pencil
C 200 Kompressor (W202)	2.0	10.95 - 05.00	132	1998	4	M 111.944	CL604	216	pencil/PIN-1
							CL606	218	pencil/PIN-1
C 200 Kompressor (W202)	2.0	11.96 - 05.00	141	1998	4	M 111.944	CL604	216	pencil/PIN-1
							CL606	218	pencil/PIN-1
C 200 Kompressor (W203)	1.8	05.02 - 11.06	120	1796	4	M 271.940	CL618	223	pencil
	1.8	11.06 -	120	1796	4	M 271.940	CL622	225	pencil
C 200 Kompressor (W203)	2.0	05.00 - 05.02	120	1998	4	M 111.955	CL616	222	pencil
C 200 Kompressor Coupe (CL203)	1.8	05.02 - 11.06	120	1796	4	M 271.940	CL618	223	pencil
	1.8	11.06 - 06.11	120	1796	4	M 271.940	CL622	225	pencil
C 200 Kompr. Coupe (CL203)	2.0	03.01 - 05.02	120	1998	4	M 111.955	CL616	222	pencil
C 200 T (S202)	2.0	06.96 - 03.01	100	1998	4	M 111.945/M 111.941	CL604	216	pencil/PIN-1
							CL606	218	pencil/PIN-1
							CL611	220	PIN-2
C 200 T Kompressor (S202)	2.0	09.00 - 03.01	120	1998	4	M 111.956	CL616	222	pencil
C 200 T Kompressor (S202)	2.0	11.96 - 03.01	141	1998	4	M 111.944	CL604	216	pencil/PIN-1
							CL606	218	pencil/PIN-1
C 220 (W202)	2.2	03.93 - 05.00	110	2199	4	M 111.961	CL611	220	PIN-2
C 230 (W204)	2.5	01.07 -	150	2496	6	M 272.921	CL621	224	pencil
C 230 (S203)	2.5	01.05 - 08.07	150	2496	6	M 272.920	CL621	224	pencil
C 230 (S204)	2.5	08.07 -	150	2496	6	M 272.921	CL621	224	pencil
C 230 (W202)	2.3	06.96 - 06.97	110	2295	4	M 111.974	CL604	216	pencil/PIN-1
							CL606	218	pencil/PIN-1
C 230 (W203)	2.5	01.05 -	150	2496	6	M 272.920	CL605	217	PIN-2
							CL621	224	pencil
C 230 4-matic (W204)	2.5	07.07 -	150	2496	6	M 272.911	CL621	224	pencil
C 230 Coupe (CL203)	2.5	01.05 - 06.11	150	2496	6	M 272.920	CL621	224	pencil
C 230 Kompressor (W202)	2.3	10.95 - 05.00	142	2295	4	M 111.975	CL604	216	pencil/PIN-1
							CL606	218	pencil/PIN-1
C 230 Kompressor (S203)	1.8	02.04 - 11.06	141	1796	4	M 271.948	CL618	223	pencil

Mercedes

A

CAR	MODEL	YEAR	kW	ccm	CYL	MOTOR	COILTYPE	PAGE	INFO
MERCEDES									
C 230 Kompressor (S203)	1.8	11.06 - 08.07	141	1796	4	M 271.948	CL622	225	pencil
C 230 Kompressor (W203)	1.8	02.04 - 11.06	141	1796	4	M 271.948	CL618	223	pencil
	1.8	11.06 -	141	1796	4	M 271.948	CL622	225	pencil
C 230 Kompr. Coupe (CL203)	1.8	05.02 - 11.06	141	1796	4	M 271.948	CL618	223	pencil
	1.8	11.06 - 06.11	141	1796	4	M 271.948	CL622	225	pencil
	2.3	03.01 - 05.02	145	2295	4	M 111.981	CL616	222	pencil
C 230 T (S202)	2.3	06.96 - 06.98	110	2295	4	M 111.974	CL604	216	pencil/PIN-1
							CL606	218	pencil/PIN-1
C 230 T Kompressor (S202)	2.3	06.97 - 09.00	142	2295	4	M 111.975	CL604	216	pencil/PIN-1
							CL606	218	pencil/PIN-1
C 240 (S203)	2.6	03.01 - 08.07	125	2597	6	M 112.912	CL605	217	PIN-2
C 240 (W202)	2.4	06.97 - 05.00	125	2398	6	M 112.910	CL605	217	PIN-2
C 240 (W203)	2.6	05.00 -	125	2597	6	M 112.912	CL605	217	PIN-2
C 240 4-matic (S203)	2.6	07.02 - 08.07	125	2597	6	M 112.916	CL605	217	PIN-2
C 240 4-matic (W203)	2.6	07.02 -	125	2597	6	M 112.916	CL605	217	PIN-2
C 240 T (S202)	2.4	06.97 - 09.00	125	2398	6	M 112.910	CL605	217	PIN-2
	2.4	09.00 - 03.01	125	2597	6	M 112.915	CL605	217	PIN-2
C 250 CGI (W204)	1.8	07.09 -	150	1796	4	M 271.860	CL622	225	pencil
C 250 CGI (S204)	1.8	07.09 -	150	1796	4	M 271.860	CL622	225	pencil
C 280 (W204)	3.0	01.07 -	170	2996	6	M 272.947	CL621	224	pencil
C 280 (S203)	3.0	01.05 - 08.07	170	2996	6	M 272.940	CL621	224	pencil
C 280 (S204)	3.0	08.07 -	170	2996	6	M 272.947	CL621	224	pencil
C 280 (W202)	2.8	05.93 - 05.00	142	2799	6	M 104.941	CL604	216	pencil/PIN-1
							CL606	218	pencil/PIN-1
C 280 (W202)	2.8	06.97 - 05.00	145	2799	6	M 112.920	CL605	217	PIN-2
C 280 (W203)	3.0	01.05 -	170	2996	6	M 272.940	CL621	224	pencil
	3.0	01.05 -	170	2996	6	M 272.941	CL621	224	pencil
C 280 4-matic (W204)	3.0	07.07 -	170	2996	6	M 272.948	CL621	224	pencil
C 280 4-matic (S203)	3.0	01.05 - 08.07	170	2996	6	M 272.941	CL621	224	pencil
C 280 T (S202)	2.8	06.97 - 03.01	145	2799	6	M 112.920	CL605	217	PIN-2
C 300 (W204)	3.0	07.09 -	170	2996	6	M 272.947	CL621	224	pencil
C 300 4-matic (W204)	3.0	07.07 -	170	2996	6	M 272.948	CL621	224	pencil
C 32 AMG Kompressor (S203)	3.2	03.01 - 08.07	260	3199	6	M 112.961	CL605	217	PIN-2
C 32 AMG Kompressor (W203)	3.2	02.01 -	260	3199	6	M 112.961	CL605	217	PIN-2
C 32 AMG Kompr. Coupe (CL203)	3.2	05.02 - 06.11	260	3199	6	M 112.961	CL605	217	PIN-2
C 320 (S203)	3.2	03.01 - 08.07	160	3199	6	M 112.946	CL605	217	PIN-2
C 320 (W203)	3.2	05.00 -	160	3199	6	M 112.946	CL605	217	PIN-2
C 320 4-matic (S203)	3.2	07.02 - 08.07	160	3199	6	M 112.953	CL605	217	PIN-2
C 320 4-matic (W203)	3.2	07.02 -	160	3199	6	M 112.953	CL605	217	PIN-2
C 320 Coupe (CL203)	3.2	09.02 - 06.11	160	3199	6	M 112.946	CL605	217	PIN-2
C 350 (W204)	3.5	01.07 -	200	3498	6	M 272.961	CL621	224	pencil
	3.5	01.11 -	225	3498	6	M 276.957	CL621	224	pencil
C 350 (S203)	3.5	01.05 - 08.07	200	3498	6	M 272.960	CL605	217	PIN-2
							CL621	224	pencil
C 350 (S204)	3.5	08.07 -	200	3498	6	M 272.961	CL621	224	pencil
C 350 (W203)	3.5	01.05 -	200	3498	6	M 272.960	CL605	217	PIN-2
							CL621	224	pencil
C 350 4-matic (W204)	3.5	07.07 -	200	3498	6	M 272.971	CL621	224	pencil
	3.5	01.11 -	225	3498	6	M 276.957	CL621	224	pencil
C 350 4-matic (S203)	3.5	01.05 - 08.07	200	3498	6	M 272.970	CL605	217	PIN-2
							CL621	224	pencil
C 350 4-matic (W203)	3.5	01.05 -	200	3498	6	M 272.970	CL605	217	PIN-2
							CL621	224	pencil
C 350 CGI (W204)	3.5	09.08 -	215	3498	6	M 272.982	CL621	224	pencil
C 350 Coupe (CL203)	3.5	01.05 - 06.11	200	3498	6	M 272.960	CL605	217	PIN-2
							CL621	224	pencil
C 36 AMG (W202)	3.6	05.94 - 05.00	206	3606	6	M 104.941 (AMG 3.6)	CL606	218	pencil/PIN-1
C 43 AMG (S202)	4.3	08.97 - 03.01	225	4266	8	M 113.944	CL605	217	PIN-2
C 43 AMG (W202)	4.3	08.97 - 05.00	225	4266	8	M 113.944	CL605	217	PIN-2
C 55 AMG (S203)	5.4	02.04 - 08.07	270	5439	8	M 113.988	CL605	217	PIN-2

Mercedes

CAR	MODEL	YEAR	kW	ccm	CYL	MOTOR	COILTYPE	PAGE	INFO
MERCEDES									
C 55 AMG (W203)	5.4	02.04 -	270	5439	8	M 113.988	CL605	217	PIN-2
CL 500 Coupe (C215)	5.0	03.99 - 03.06	225	4966	8	M 113.960	CL605	217	PIN-2
CL 500 Coupe (C216)	5.5	06.06 -	285	5461	8	M 273.961	CL621	224	pencil
	5.5	02.08 -	285	5461	8	M 273.968	CL621	224	pencil
CL 55 AMG Coupe (C215)	5.4	10.99 - 03.06	265	5439	8	M 113.986	CL605	217	PIN-2
CL 55 AMG Kompr. Coupe (C215)	5.4	06.02 - 03.06	368	5439	8	M 113.991	CL605	217	PIN-2
CLC 160 (CL203)	1.6	02.09 -	95	1597	4	M 271.911	CL622	225	pencil
CLC 180 Kompressor (CL203)	1.8	05.08 -	105	1796	4	M 271.946	CL622	225	pencil
CLC 200 Kompressor (CL203)	1.8	05.08 -	135	1796	4	M 271.955	CL622	225	pencil
CLC 230 (CL203)	2.5	05.08 -	150	2496	6	M 272.920	CL621	224	pencil
CLC 350 (CL203)	3.5	05.08 -	200	3498	6	M 272.960	CL621	224	pencil
CLK 200 Cabriolet (A208)	2.0	03.98 - 03.02	100	1998	4	M 111.945/M 111.941	CL604	216	pencil/PIN-1
CLK 200 (C208)	2.0	06.97 - 06.02	100	1998	4	M 111.945/M 111.941	CL604	216	pencil/PIN-1
							CL606	218	pencil/PIN-1
CLK 200 Cabriolet (A208)	2.0	03.98 - 03.02	100	1998	4	M 111.945/M 111.941	CL606	218	pencil/PIN-1
CLK 200 CGI (C209)	1.8	07.03 - 11.06	125	1796	4	M 271.942	CL618	223	pencil
	1.8	11.06 -	125	1796	4	M 271.942	CL622	225	pencil
CLK 200 CGI Cabriolet (A209)	1.8	07.03 -	125	1796	4	M 271.942	CL622	225	pencil
CLK 200 Kompressor (C208)	2.0	06.97 - 06.00	141	1998	4	M 111.944	CL604	216	pencil/PIN-1
							CL606	218	pencil/PIN-1
CLK 200 Kompressor (C208)	2.0	06.00 - 06.02	120	1998	4	M 111.956	CL616	222	pencil
CLK 200 Kompressor (C209)	1.8	09.02 - 11.06	120	1796	4	M 271.940	CL618	223	pencil
	1.8	11.06 -	120	1796	4	M 271.940	CL622	225	pencil
	1.8	11.06 -	135	1796	4	M 271.955	CL622	225	pencil
CLK 200 Kompr. Cabriolet (A208)	2.0	03.98 - 06.00	141	1998	4	M 111.944	CL604	216	pencil/PIN-1
							CL606	218	pencil/PIN-1
CLK 200 Kompr. Cabriolet (A208)	2.0	06.00 - 03.02	120	1998	4	M 111.956	CL616	222	pencil
CLK 200 Kompr. Cabriolet (A209)	1.8	02.03 - 11.06	120	1796	4	M 271.940	CL618	223	pencil
	1.8	11.06 -	120	1796	4	M 271.940	CL622	225	pencil
CLK 200 Kompr. Cabriolet (A209)	1.8	10.06 -	135	1796	4	M 271.955	CL622	225	pencil
CLK 230 Kompressor (C208)	2.3	06.97 - 06.00	142	2295	4	M 111.975/M 111.973	CL604	216	pencil/PIN-1
							CL606	218	pencil/PIN-1
CLK 230 Kompressor (C208)	2.3	06.00 - 06.02	145	2295	4	M 111.982	CL616	222	pencil
CLK 230 Kompr. Cabriolet (A208)	2.3	03.98 - 06.00	142	2295	4	M 111.975/M 111.973	CL604	216	pencil/PIN-1
							CL606	218	pencil/PIN-1
CLK 230 Kompr. Cabriolet (A208)	2.3	06.00 - 03.02	145	2295	4	M 111.982	CL616	222	pencil
CLK 240 (C209)	2.6	06.02 -	125	2597	6	M 112.912	CL605	217	PIN-2
CLK 240 Cabriolet (A209)	2.6	02.03 -	125	2597	6	M 112.912	CL605	217	PIN-2
CLK 280 (C209)	3.0	01.05 -	170	2996	6	M 272.940	CL621	224	pencil
CLK 280 Cabriolet (A209)	3.0	01.05 -	170	2996	6	M 272.940	CL621	224	pencil
CLK 320 (C208)	3.2	06.97 - 06.02	160	3199	6	M 112.940	CL605	217	PIN-2
CLK 320 (C209)	3.2	06.02 -	160	3199	6	M 112.955	CL605	217	PIN-2
CLK 320 Cabriolet (A208)	3.2	03.98 - 03.02	160	3199	6	M 112.940	CL605	217	PIN-2
CLK 320 Cabriolet (A209)	3.2	02.03 -	160	3199	6	M 112.955	CL605	217	PIN-2
CLK 350 (C209)	3.5	01.05 -	200	3498	6	M 272.960	CL621	224	pencil
CLK 350 Cabriolet (A209)	3.5	01.05 -	200	3498	6	M 272.960	CL621	224	pencil
CLK 430 (C208)	4.3	07.98 - 06.02	205	4266	8	M 113.943	CL605	217	PIN-2
CLK 430 Cabriolet (A208)	4.3	09.98 - 03.02	205	4266	8	M 113.943	CL605	217	PIN-2
CLK 500 (C209)	5.0	06.02 -	225	4966	8	M 113.968	CL605	217	PIN-2
	5.5	06.06 -	285	5461	8	M 273.965	CL605	217	PIN-2
CLK 500 Cabriolet (A209)	5.0	02.03 -	225	4966	8	M 113.968	CL605	217	PIN-2
	5.5	06.06 -	285	5461	8	M 273.967	CL621	224	pencil
CLK 55 AMG (C208)	5.4	08.99 - 06.02	255	5439	8	M 113.981/M 113.984	CL605	217	PIN-2
CLK 55 AMG (C209)	5.4	09.02 -	270	5439	8	M 113.987	CL605	217	PIN-2
CLK 55 AMG Cabriolet (A208)	5.4	01.00 - 03.02	255	5439	8	M 113.981/M 113.984	CL605	217	PIN-2
CLK 55 AMG Cabriolet (A209)	5.4	02.03 -	270	5439	8	M 113.987	CL605	217	PIN-2
CLS 280 (C219)	3.0	07.08 - 12.10	170	2996	6	M 272.943	CL621	224	pencil
CLS 300 (C219)	3.0	04.09 - 12.10	170	2996	6	M 272.943	CL621	224	pencil
CLS 350 (C219)	3.5	10.04 - 12.10	200	3498	6	M 272.964	CL621	224	pencil
	3.5	04.06 - 12.10	215	3498	6		CL621	224	pencil

Mercedes

CAR	MODEL	YEAR	kW	ccm	CYL	MOTOR	COILTYPE	PAGE	INFO
MERCEDES									
CLS 350 CGI (C219)	3.5	04.09 - 12.10	215	3498	6	M 272.985	CL621	224	pencil
CLS 500 (C219)	5.0	10.04 - 12.10	225	4966	8	M 113.967	CL605	217	PIN-2
	5.5	04.06 - 12.10	285	5461	8	M 273.960	CL621	224	pencil
CLS 55 AMG (C219)	5.4	01.05 - 12.10	350	5439	8	M 113.990	CL605	217	PIN-2
E 200 (W124)	2.0	06.93 - 06.95	100	1998	4	M 111.940	CL611	220	PIN-2
E 200 (W210)	2.0	06.95 - 08.00	100	1998	4	M 111.942	CL604	216	pencil/PIN-1
							CL606	218	pencil/PIN-1
E 200 Cabriolet (A124)	2.0	06.93 - 03.98	100	1998	4	M 111.940	CL611	220	PIN-2
E 200 CGI (C207)	1.8	01.10 -	135	1796	4	M 271.820/M 271.860	CL622	225	pencil
E 200 CGI (S212)	1.8	11.09 -	135	1796	4	M 271.820/M 271.860	CL622	225	pencil
E 200 CGI (W211)	1.8	11.02 - 11.06	125	1796	4	M 271.946	CL618	223	pencil
	1.8	11.06 - 12.08	125	1796	4	M 271.946	CL622	225	pencil
E 200 CGI (W212)	1.8	08.09 -	135	1796	4	M 271.820/M 271.860	CL622	225	pencil
E 200 CGI Cabriolet (A207)	1.8	01.10 -	135	1796	4	M 271.820/M 271.860	CL622	225	pencil
E 200 Coupe (C124)	2.0	06.93 - 06.97	100	1998	4	M 111.940	CL611	220	PIN-2
E 200 Kompressor (S211)	1.8	04.06 - 11.06	135	1796	4	M 271.956	CL618	223	pencil
	1.8	11.06 - 07.09	135	1796	4	M 271.956	CL622	225	pencil
E 200 Kompressor (W210)	2.0	06.97 - 03.02	137	1998	4	M 111.947	CL606	218	pencil/PIN-1
	2.0	08.00 - 03.02	120	1998	4	M 111.957	CL616	222	pencil
E 200 Kompressor (W211)	1.8	11.02 - 11.06	120	1796	4	M 271.941	CL618	223	pencil
	1.8	11.06 - 12.08	120	1796	4	M 271.941	CL622	225	pencil
E 200 Kompressor (W211)	1.8	04.06 - 11.06	135	1796	4	M 271.956	CL618	223	pencil
	1.8	11.06 - 12.08	135	1796	4	M 271.956	CL622	225	pencil
E 200 T (S124)	2.0	06.93 - 06.96	100	1998	4	M 111.940	CL611	220	PIN-2
E 200 T (S210)	2.0	06.96 - 08.00	100	1998	4	M 111.942	CL604	216	pencil/PIN-1
							CL606	218	pencil/PIN-1
E 200 T Kompressor (S210)	2.0	06.97 - 03.03	137	1998	4	M 111.947	CL606	218	pencil/PIN-1
	2.0	08.00 - 03.03	120	1998	4	M 111.957	CL616	222	pencil
E 200 T Kompressor (S211)	1.8	03.03 - 11.06	120	1796	4	M 271.941	CL618	223	pencil
	1.8	11.06 - 07.09	120	1796	4	M 271.941	CL622	225	pencil
E 220 (W124)	2.2	06.93 - 06.95	110	2199	4	M 111.960	CL611	220	PIN-2
E 220 Cabriolet (A124)	2.2	06.93 - 03.98	110	2199	4	M 111.960	CL611	220	PIN-2
E 220 Coupe (C124)	2.2	06.93 - 06.97	110	2199	4	M 111.960	CL611	220	PIN-2
E 220 T (S124)	2.2	06.93 - 06.96	110	2199	4	M 111.960	CL611	220	PIN-2
E 230 (W210)	2.3	06.95 - 06.97	110	2295	4	M 111.970	CL604	216	pencil/PIN-1
							CL606	218	pencil/PIN-1
E 230 (W211)	2.5	09.07 - 12.08	150	2496	6	M 272.922	CL621	224	pencil
E 230 T (S210)	2.3	06.96 - 06.97	110	2295	4	M 111.970	CL604	216	pencil/PIN-1
							CL606	218	pencil/PIN-1
E 230 T (S211)	2.5	05.07 - 07.09	150	2496	6	M 272.922	CL621	224	pencil
E 240 (W210)	2.4	06.97 - 08.00	125	2398	6	M 112.911	CL605	217	PIN-2
	2.6	08.00 - 03.02	125	2597	6	M 112.914	CL605	217	PIN-2
E 240 (W211)	2.6	03.02 - 12.08	130	2597	6	M 112.917/M 112.913	CL605	217	PIN-2
E 240 4-matic (W211)	2.6	03.03 - 12.08	130	2597	6	M 112.917	CL605	217	PIN-2
E 240 T (S210)	2.4	06.97 - 03.03	125	2398	6	M 112.911	CL605	217	PIN-2
	2.6	08.00 - 03.03	125	2597	6	M 112.914	CL605	217	PIN-2
E 240 T (S211)	2.6	03.03 - 07.09	130	2597	6	M 112.913	CL605	217	PIN-2
E 240 T 4-matic (S211)	2.6	07.03 - 07.09	130	2597	6	M 112.917	CL605	217	PIN-2
E 250 CGI (C207)	1.8	01.09 -	150	1796	4	M 271.860	CL622	225	pencil
E 250 CGI (S212)	1.8	11.09 -	150	1796	4	M 271.860	CL622	225	pencil
E 250 CGI (W212)	1.8	01.09 -	150	1796	4	M 271.860	CL622	225	pencil
E 250 CGI Cabriolet (A207)	1.8	01.10 -	150	1796	4	M 271.860	CL622	225	pencil
E 280 (W124)	2.8	06.93 - 06.95	145	2799	6	M 104.942	CL604	216	pencil/PIN-1
E 280 (W210)	2.8	01.96 - 06.97	142	2799	6	M 104.945	CL604	216	pencil/PIN-1
	2.8	12.96 - 03.02	150	2799	6	M 112.921	CL605	217	PIN-2
E 280 (W211)	3.0	03.05 - 12.08	170	2996	6	M 272.943	CL621	224	pencil
E 280 4-matic (W210)	2.8	12.96 - 03.02	150	2799	6	M 112.921	CL605	217	PIN-2
E 280 4-matic (W211)	3.0	01.06 - 12.08	170	2996	6	M 272.943	CL621	224	pencil
E 280 long (W124)	2.8	06.93 - 06.95	142	2799	6	M 104.942	CL604	216	pencil/PIN-1

CAR	MODEL	YEAR	kW	ccm	CYL	MOTOR	COILTYPE	PAGE	INFO
MERCEDES									
E 280 T (S124)	2.8	06.93 - 06.96	142	2799	6	M 104.942	CL604	216	pencil/PIN-1
	2.8	06.93 - 06.96	145	2799	6	M 104.942	CL604	216	pencil/PIN-1
E 280 T (S210)	2.8	12.96 - 03.03	150	2799	6	M 112.921	CL605	217	PIN-2
E 280 T (S211)	3.0	03.05 - 07.09	170	2996	6	M 272.943	CL621	224	pencil
E 280 T 4-matic (S210)	2.8	12.96 - 03.03	150	2799	6	M 112.921	CL605	217	PIN-2
E 280 T 4-matic (S211)	3.0	03.05 - 07.09	170	2996	6	M 272.943	CL621	224	pencil
E 300 4-matic (W124)	3.0	06.93 - 06.95	132	2960	6	M 103.985	CL609	219	DIN-1
E 320 (A124) Cabriolet	3.2	06.93 - 03.98	162	3199	6	M 104.992/M 104.995	CL604	216	pencil/PIN-1
E 320 (C124)	3.2	06.93 - 06.97	162	3199	6	M 104.992	CL604	216	pencil/PIN-1
E 320 (W124)	3.2	06.93 - 06.95	162	3199	6	M 104.992	CL604	216	pencil/PIN-1
E 320 (W210)	3.2	06.95 - 06.97	162	3199	6	M 104.995	CL604	216	pencil/PIN-1
	3.2	06.97 - 03.02	165	3199	6	M 112.941	CL605	217	PIN-2
E 320 (W211)	3.2	03.02 - 12.08	165	3199	6	M 112.949	CL605	217	PIN-2
E 320 4-matic (W210)	3.2	06.97 - 03.02	165	3199	6	M 112.941	CL605	217	PIN-2
E 320 4-matic (W211)	3.2	03.03 - 12.08	165	3199	6	M 112.954	CL605	217	PIN-2
E 320 T (S124)	3.2	06.93 - 06.96	162	3199	6	M 104.992	CL604	216	pencil/PIN-1
E 320 T (S210)	3.2	12.96 - 03.03	165	3199	6	M 112.941	CL605	217	PIN-2
E 320 T (S211)	3.2	03.03 - 07.09	165	3199	6	M 112.949	CL605	217	PIN-2
E 320 T 4-matic (S210)	3.2	12.96 - 03.03	165	3199	6	M 112.941	CL605	217	PIN-2
E 320 T 4-matic (S211)	3.2	07.03 - 07.09	165	3199	6	M 112.954	CL605	217	PIN-2
E 350 (W211)	3.5	03.05 - 12.08	200	3498	6	M 272.964	CL621	224	pencil
E 350 4-matic (S212)	3.5	11.09 -	200	3498	6	M 272.977	CL621	224	pencil
E 350 4-matic (W211)	3.5	03.05 - 12.08	200	3498	6	M 272.964/M 272.972	CL621	224	pencil
E 350 4-matic (W212)	3.5	01.09 -	200	3498	6	M 272.977	CL621	224	pencil
E 350 CGI (S211)	3.5	05.06 - 07.09	215	3498	6	M 272.985	CL621	224	pencil
E 350 CGI (S212)	3.5	11.09 -	215	3498	6	M 272.983	CL605	217	PIN-2
E 350 CGI (W211)	3.5	09.07 - 12.08	215	3498	6	M 272.985	CL621	224	pencil
E 350 CGI (W212)	3.5	01.09 -	215	3498	6	M 272.983	CL605	217	PIN-2
E 350 CGI Coupe (C207)	3.5	01.09 -	215	3498	6	M 272.982/M 272.984	CL605	217	PIN-2
E 350 T (S211)	3.5	03.05 - 07.09	200	3498	6	M 272.964/M 272.972	CL621	224	pencil
E 350 T 4-matic (S211)	3.5	03.05 - 07.09	200	3498	6	M 272.964/M 272.972	CL621	224	pencil
E 36 AMG (A124) Cabriolet	3.6	05.94 - 03.98	200	3606	6	M 104.992 (AMG 3.6)	CL604	216	pencil/PIN-1
E 36 AMG (C124)	3.6	06.93 - 04.95	195	3606	6	M 104.992 (AMG 3.6)	CL604	216	pencil/PIN-1
	3.6	05.94 - 06.97	200	3606	6	M 104.992 (AMG 3.6)	CL604	216	pencil/PIN-1
E 36 T AMG (S124)	3.6	05.94 - 06.96	200	3606	6	M 104.992 (AMG 3.6)	CL604	216	pencil/PIN-1
E 420 (W124)	4.2	06.93 - 06.95	205	4196	8	M 119.975	CL612	220	DIN-1
							CL613	221	DIN-1
E 420 (W210)	4.2	01.96 - 06.97	205	4196	8	M 119.985	CL617	222	pencil
E 420 T (S210)	4.2	06.96 - 06.97	205	4196	8	M 119.985	CL617	222	pencil
E 430 (W210)	4.3	06.97 - 03.02	205	4266	8	M 113.940	CL605	217	PIN-2
E 430 4-matic (W210)	4.3	05.99 - 03.02	205	4266	8	M 113.940	CL605	217	PIN-2
E 430 T (S210)	4.3	06.97 - 03.03	205	4266	8	M 113.940	CL605	217	PIN-2
E 430 T 4-matic (S210)	4.3	05.99 - 03.03	205	4266	8	M 113.940	CL605	217	PIN-2
E 50 AMG (W210)	5.0	02.96 - 08.97	255	4973	8	M 119.985 (AMG 5.0)	CL617	222	pencil
E 500 (W124)	5.0	06.93 - 06.95	235	4973	8	M 119.974	CL612	220	DIN-1
							CL613	221	DIN-1
E 500 (S212)	5.5	11.09 -	285	5461	8	M 273.971	CL621	224	pencil
E 500 (W211)	5.0	03.02 - 12.08	225	4966	8	M 113.967	CL605	217	PIN-2
	5.5	04.06 - 12.08	285	5461	8	M 273.960	CL605	217	PIN-2
							CL621	224	pencil
E 500 (W212)	5.5	01.09 -	285	5461	8	M 273.971	CL621	224	pencil
E 500 4-matic (W211)	5.0	10.03 - 12.08	225	4966	8	M 113.969	CL605	217	PIN-2
	5.5	04.06 - 12.08	285	5461	8	M 273.962	CL605	217	PIN-2
							CL621	224	pencil
E 500 4-matic (W212)	5.5	01.09 -	285	5461	8	M 273.970	CL621	224	pencil
E 500 Cabriolet (A207)	5.5	01.10 -	285	5461	8	M 273.966	CL621	224	pencil
E 500 Coupe (C207)	5.5	01.09 -	285	5461	8	M 273.966	CL621	224	pencil
E 500 T (S211)	5.0	10.03 - 07.09	225	4966	8	M 113.967	CL605	217	PIN-2
	5.5	04.06 - 07.09	285	5461	8	M 273.960	CL605	217	PIN-2
							CL621	224	pencil

Mercedes

CAR	MODEL	YEAR	kW	ccm	CYL	MOTOR	COILTYPE	PAGE	INFO
MERCEDES									
E 500 T 4-matic (S211)	5.0	10.03 - 07.09	225	4966	8	M 113.969	CL605	217	PIN-2
	5.5	04.06 - 07.09	285	5461	8	M 273.962	CL605	217	PIN-2
							CL621	224	pencil
E 55 AMG (W210)	5.4	08.97 - 03.02	260	5439	8	M 113.980	CL605	217	PIN-2
E 55 AMG 4-matic (W210)	5.4	03.01 - 03.02	260	5439	8	M 113.980	CL605	217	PIN-2
E 55 AMG Kompressor (W211)	5.4	10.02 - 12.08	350	5439	8	M 113.990	CL605	217	PIN-2
E 55 T AMG (S210)	5.4	08.97 - 03.03	260	5439	8	M 113.980	CL605	217	PIN-2
E 55 T AMG 4-matic (S210)	5.4	03.01 - 03.03	260	5439	8	M 113.980	CL605	217	PIN-2
E 55 T AMG Kompressor (S211)	5.4	07.03 - 07.09	350	5439	8	M 113.990	CL605	217	PIN-2
E 60 AMG (W124)	6.0	05.94 - 06.95	280	5956	8	M 119.974 AMG	CL613	221	DIN-1
							CL614	221	DIN-1
E 200 NGT (W211)	1.8	11.06 - 12.08	120	1796	4	M 271.941	CL622	225	pencil
G 230 GE (W461)	2.3	02.93 -	90	2298	4	M 102.979	CL614	221	DIN-1
G 320 (W463)	3.2	09.94 - 12.97	155	3199	6	M 104.996	CL604	216	pencil/PIN-1
	3.2	07.97 -	158	3199	6	M 112.945	CL605	217	PIN-2
G 320 Cabrio (W463)	3.2	11.97 -	158	3199	6	M 112.945	CL605	217	PIN-2
G 320 GE (W463) Cabrio	3.2	09.94 - 11.97	155	3199	6	M 104.996	CL604	216	pencil/PIN-1
G 36 AMG (W463)	3.6	01.95 -	200	3606	6		CL604	216	pencil/PIN-1
G 500 (W463)	5.0	04.98 -	218	4966	8	M 113.962	CL605	217	PIN-2
G 500 Cabrio (W463)	5.0	04.98 -	218	4966	8	M 113.962	CL605	217	PIN-2
G 500 E (W463)	5.0	09.93 -	177	4973	8	M 117.965	CL612	220	DIN-1
G 55 AMG (W463)	5.4	08.08 -	373	5439	8	M 113.993	CL605	217	PIN-2
	5.4	04.99 -	260	5439	8	M 113.982	CL605	217	PIN-2
	5.4	06.04 -	350	5439	8	M 113.993	CL605	217	PIN-2
	5.4	08.06 -	368	5439	8	M 113.993	CL605	217	PIN-2
GL 450 (X164)	4.7	09.06 -	250	4663	8	M 273.923	CL621	224	pencil
GL 500 (X164)	5.5	09.06 -	285	5461	8	M 273.963	CL621	224	pencil
ML 230 (W163)	2.3	02.98 - 06.05	110	2295	4	M 111.977	CL606	218	pencil/PIN-1
ML 320 (W163)	3.2	02.98 - 08.02	160	3199	6	M 112.942	CL605	217	PIN-2
ML 350 (W163)	3.7	08.02 - 06.05	180	3724	6	M 112.970	CL605	217	PIN-2
	3.7	02.03 - 06.05	173	3724	6	M 112.970	CL605	217	PIN-2
ML 350 4-matic (W164)	3.5	07.05 -	200	3498	6	M 272.962/M 272.967	CL621	224	pencil
ML 430 (W163)	4.2	02.98 - 06.05	200	4266	8	M 113.942	CL605	217	PIN-2
ML 500 (W163)	5.0	09.01 - 06.05	215	4966	8	M 113.964/M 113.965	CL605	217	PIN-2
ML 500 4-matic (W164)	5.0	07.05 -	225	4966	8	M 113.964	CL605	217	PIN-2
	5.5	12.07 -	285	5461	8	M 273.963	CL621	224	pencil
ML 55 AMG (W163)	5.4	02.00 - 06.05	255	5439	8	M 113.981	CL605	217	PIN-2
R 280 (W251, V251)	3.0	01.07 -	170	2996	6	M 272.945	CL621	224	pencil
R 300 (W251, V251)	3.0	07.09 -	170	2996	6	M 272.945	CL621	224	pencil
	3.5	01.07 -	200	3498	6	M 272.967	CL621	224	pencil
R 350 4-matic (W251, V251)	3.5	01.06 -	200	3498	6	M 272.967	CL621	224	pencil
R 500 4-matic (W251, V251)	5.0	01.06 -	225	4966	8	M 113.971	CL605	217	PIN-2
	5.5	01.07 -	285	5461	8	M 273.963	CL621	224	pencil
S 280 (W140)	2.8	02.93 - 10.98	142	2799	6	M 104.944	CL604	216	pencil/PIN-1
							CL606	218	pencil/PIN-1
S 280 (W220)	2.8	10.98 - 08.05	150	2799	6	M 112.922	CL605	217	PIN-2
S 300 SE (W140)	2.8	01.93 - 10.98	145	2799	6	M 104.944	CL604	216	pencil/PIN-1
							CL606	218	pencil/PIN-1
S 300 SE,SEL/S320 (W140)	3.2	03.91 - 10.98	170	3199	6	M 104.990	CL613	221	DIN-1
	3.2	03.91 - 10.98	170	3199	6	M 104.990/M 104.994	CL604	216	pencil/PIN-1
	3.2	03.91 - 10.98	170	3199	6	M 104.994	CL606	218	pencil/PIN-1
S 320 (W220)	3.2	10.98 - 08.05	165	3199	6	M 112.944	CL605	217	PIN-2
S 350 (W220)	3.7	09.02 - 08.05	180	3724	6	M 112.972	CL605	217	PIN-2
S 350 (W221)	3.5	10.05 -	200	3498	6	M 272.965	CL621	224	pencil
	3.5	04.11 -	225	3498	6	M 272.950	CL621	224	pencil
S 350 4-matic (W220)	3.7	06.03 - 08.05	180	3724	6	M 112.975	CL605	217	PIN-2
S 350 4-matic (W221)	3.5	02.08 -	200	3498	6	M 272.975/M 272.965	CL621	224	pencil
	3.5	04.11 -	225	3498	6	M 272.950	CL621	224	pencil
S 400 SE,SEL/S420 (W140)	4.2	02.91 - 10.98	210	4196	8	M 119.971	CL609	219	DIN-1
							CL617	222	pencil

Mercedes

CAR	MODEL	YEAR	kW	ccm	CYL	MOTOR	COILTYPE	PAGE	INFO
MERCEDES									
S 400 SE,SEL/S420 (W140)	4.2	02.91 - 05.93	210	4196	8	M 119.971	CL614	221	DIN-1
	4.2	09.92 - 09.98	210	4196	8	M 119.971	CL613	221	DIN-1
S 420 (W140)	4.2	01.93 - 10.98	205	4196	8	M 119.971	CL609	219	DIN-1
	4.2	06.93 - 09.98	205	4196	8	M 119.971	CL614	221	DIN-1
S 420 SEC/CL Coupe (C140)	4.2	10.94 - 02.99	205	4196	8	M 119.971/M 119.981	CL613	221	DIN-1
							CL617	222	pencil
S 430 (W220)	4.3	10.98 - 08.05	205	4266	8	M 113.941	CL605	217	PIN-2
S 430 4-matic (W220)	4.3	09.02 - 08.05	205	4266	8	M 113.948	CL605	217	PIN-2
S 450 (W221)	4.7	12.05 -	250	4663	8	M 273.922/M 273.923	CL621	224	pencil
S 450 4-matic (W221)	4.7	12.05 -	250	4663	8	M 273.922/M 273.924	CL621	224	pencil
S 500 (W140)	5.0	01.93 - 10.98	235	4973	8	M 119.970/M 119.980	CL609	219	DIN-1
							CL617	222	pencil
S 500 (W140)	5.0	06.93 - 10.98	235	4973	8	M 119.970/M 119.980	CL613	221	DIN-1
	5.0	06.93 - 09.98	235	4973	8	M 119.970/M 119.980	CL614	221	DIN-1
S 500 (W220)	5.0	10.98 - 08.05	225	4966	8	M 113.960	CL605	217	PIN-2
S 500 (W221)	5.5	10.05 -	285	5461	8	M 273.961	CL621	224	pencil
S 500 4-matic (W220)	5.0	09.02 - 08.05	225	4966	8	M 113.966	CL605	217	PIN-2
S 500 4-matic (W221)	5.5	10.05 -	285	5461	8	M 273.961/M 273.968	CL621	224	pencil
S 500 SE,SEL (W140)	5.0	02.91 - 05.93	240	4973	8	M 119.970	CL613	221	DIN-1
							CL614	221	DIN-1
S 500 SE,SEL (W140)	5.0	02.91 - 10.98	240	4973	8	M 119.970	CL609	219	DIN-1
							CL617	222	pencil
S 500 SEC/CL Coupe (C140)	5.0	10.92 - 02.99	235	4973	8	M 119.970	CL609	219	DIN-1
							CL613	221	DIN-1
							CL614	221	DIN-1
							CL617	222	pencil
S 55 AMG (W220)	5.4	04.99 - 08.05	265	5439	8	M 113.986	CL605	217	PIN-2
S 55 AMG Kompressor (W220)	5.4	06.02 - 08.05	368	5439	8	M 113.991	CL605	217	PIN-2
S 600 (W140)	6.0	01.93 - 10.98	290	5987	12	M 120.982/M 120.980	CL609	219	DIN-1
							CL612	220	DIN-1
							CL613	221	DIN-1
S 600 SE,SEL (W140)	6.0	04.91 - 12.92	300	5987	12	M 120.982/M 120.980	CL609	219	DIN-1
							CL612	220	DIN-1
							CL613	221	DIN-1
S 600 SEC/CL Coupe (C140)	6.0	09.92 - 02.99	290	5987	12	M 120.982/M 120.980	CL612	220	DIN-1
							CL613	221	DIN-1
SL 280 (R230)	3.0	03.08 -	170	2996	6	M 272.949	CL621	224	pencil
SL 280 (R129)	2.8	08.93 - 10.01	142	2799	6	M 104.943	CL604	216	pencil/PIN-1
	2.8	05.98 - 10.01	150	2799	6	M 112.923/M 112.925	CL605	217	PIN-2
SL 300 (R230)	3.0	04.09 -	170	2996	6	M 272.949	CL621	224	pencil
SL 320 (R129)	3.2	09.93 - 10.01	170	3199	6	M 104.991	CL604	216	pencil/PIN-1
	3.2	05.98 - 10.01	165	3199	6	M 112.943	CL605	217	PIN-2
SL 350 (R230)	3.5	03.06 -	200	3498	6	M 272.966	CL621	224	pencil
	3.5	04.08 -	232	3498	6	M 272.968	CL621	224	pencil
	3.7	03.03 -	180	3724	6	M 112.973	CL605	217	PIN-2
SL 500 (R129)	5.0	09.92 - 10.01	235	4973	8	M 119.982/M 119.972	CL612	220	DIN-1
							CL613	221	DIN-1
							CL617	222	pencil
SL 500 (R129)	5.0	05.98 - 10.01	225	4966	8	M 113.961	CL605	217	PIN-2
SL 500 (R230)	5.0	10.01 -	225	4966	8	M 113.963	CL605	217	PIN-2
SL 55 AMG (R129)	5.4	03.00 - 10.01	260	5439	8	M 113.985	CL605	217	PIN-2
SL 55 AMG (R230)	5.4	10.01 - 06.02	350	5439	8	M 113.992	CL605	217	PIN-2
	5.4	03.06 -	380	5439	8	M 113.995	CL605	217	PIN-2
SL 55 AMG Kompressor (R230)	5.4	06.02 -	368	5439	8	M 113.992	CL605	217	PIN-2
SL 60 AMG (R129)	6.0	05.97 - 10.01	280	5956	8	M 122.981	CL617	222	pencil
SL 600 (R129)	6.0	07.92 - 10.01	290	5987	12	M 120.983/M 120.981	CL612	220	DIN-1
							CL613	221	DIN-1
							CL617	222	pencil
SLK 200 (R170)	2.0	09.96 - 03.00	100	1998	4	M 111.946	CL604	216	pencil/PIN-1
							CL606	218	pencil/PIN-1

CAR	MODEL	YEAR	kW	ccm	CYL	MOTOR	COILTYPE	PAGE	INFO
MERCEDES									
SLK 200 Kompressor (R170)	2.0	10.96 - 03.00	141	1998	4	M 111.943	CL606	218	pencil/PIN-1
	2.0	03.00 - 04.04	120	1998	4	M 111.958	CL616	222	pencil
SLK 200 Kompressor (R171)	1.8	03.04 - 11.06	120	1795	4	M 271.944	CL618	223	pencil
	1.8	11.06 -	120	1795	4	M 271.944	CL622	225	pencil
	1.8	01.08 -	135	1796	4	M 271.954	CL622	225	pencil
SLK 230 Kompressor (R170)	2.3	09.96 - 03.00	142	2295	4	M 111.973	CL606	218	pencil/PIN-1
	2.3	03.00 - 04.04	145	2295	4	M 111.983	CL616	222	pencil
SLK 280 (R171)	3.0	01.05 -	170	2996	6	M 272.942	CL621	224	pencil
SLK 300 (R171)	3.0	04.09 -	170	2996	6	M 272.942	CL621	224	pencil
SLK 32 AMG Kompressor (R170)	3.2	03.01 - 04.04	260	3199	6	M 112.960	CL605	217	PIN-2
SLK 320 (R170)	3.2	03.00 - 04.04	160	3199	6	M 112.947	CL605	217	PIN-2
SLK 350 (R171)	3.5	06.04 -	200	3498	6	M 272.963	CL621	224	pencil
	3.5	01.08 -	224	3498	6	M 272.969	CL621	224	pencil
SLK 55 AMG (R171)	5.4	06.04 -	265	5439	8	M 113.989	CL605	217	PIN-2
SLR (R199)	5.4	04.04 -	460	5439	8	M 155.980	CL605	217	PIN-2
SLR 722 Edition (R199)	5.4	10.06 -	478	5439	8	M 155.980	CL605	217	PIN-2
SLR Roadster (R199)	5.4	10.06 -	478	5439	8	M 155.980	CL605	217	PIN-2
	5.4	04.07 -	460	5439	8	M 155.980	CL605	217	PIN-2
Sprinter 214 Bus (901, 902)	2.3	02.95 - 05.06	105	2295	4	M 111.979	CL604	216	pencil/PIN-1
							CL606	218	pencil/PIN-1
Sprinter 214 Flatbed (901, 902)	2.3	02.95 - 05.06	105	2295	4	M 111.979	CL604	216	pencil/PIN-1
							CL606	218	pencil/PIN-1
Sprinter 214 NGT Bus (901, 902)	2.3	04.00 - 05.06	92	2295	4	M 111.984	CL606	218	pencil/PIN-1
Sprinter 214 NGT Flatbed (901, 902)	2.3	04.00 - 05.06	92	2295	4		CL606	218	pencil/PIN-1
Sprinter 214 NGT Van (901, 902)	2.3	04.00 - 05.06	92	2295	4	M 111.984	CL606	218	pencil/PIN-1
Sprinter 214 Van (901, 902)	2.3	02.95 - 05.06	105	2295	4	M 111.979/M 111.984	CL604	216	pencil/PIN-1
							CL606	218	pencil/PIN-1
Sprinter 224 Bus (906)	3.5	06.06 -	190	3498	6	M 272.979	CL621	224	pencil
Sprinter 224 Flatbed (906)	3.5	06.06 -	190	3498	6	M 272.979	CL621	224	pencil
Sprinter 224 Van (906)	3.5	06.06 -	190	3498	6	M 272.979	CL621	224	pencil
Sprinter 314 4x4 Bus (903)	2.3	08.02 - 05.06	105	2295	4	M 111.984	CL606	218	pencil/PIN-1
Sprinter 314 4x4 Flatbed (903)	2.3	08.02 - 05.06	105	2295	4	M 111.984	CL606	218	pencil/PIN-1
Sprinter 314 4x4 Van (903)	2.3	08.02 - 05.06	105	2295	4	M 111.984	CL606	218	pencil/PIN-1
Sprinter 314 Bus (903)	2.3	02.95 - 05.06	105	2295	4	M 111.984	CL604	216	pencil/PIN-1
							CL606	218	pencil/PIN-1
Sprinter 314 Flatbed (903)	2.3	02.95 - 05.06	105	2295	4	M 111.984	CL604	216	pencil/PIN-1
							CL606	218	pencil/PIN-1
Sprinter 314 NGT Bus (903)	2.3	04.00 - 05.06	92	2295	4	M 111.984	CL606	218	pencil/PIN-1
Sprinter 314 NGT Flatbed (903)	2.3	04.00 - 05.06	92	2295	4		CL606	218	pencil/PIN-1
Sprinter 314 NGT Van (903)	2.3	04.00 - 05.06	92	2295	4		CL606	218	pencil/PIN-1
Sprinter 314 Van (903)	2.3	02.95 - 05.06	105	2295	4	M 111.979/M 111.984	CL604	216	pencil/PIN-1
							CL606	218	pencil/PIN-1
Sprinter 316 Bus (906)	1.8	09.08 -	115	1796	4	M 271.951	CL622	225	pencil
Sprinter 316 Flatbed (906)	1.8	09.08 -	115	1796	4	M 271.951	CL622	225	pencil
Sprinter 316 Van (906)	1.8	09.08 -	115	1796	4	M 271.951	CL622	225	pencil
Sprinter 324 Flatbed (906)	3.5	06.06 -	190	3498	6	M 272.979	CL621	224	pencil
Sprinter 324 Van (906)	3.5	06.06 -	190	3498	6	M 272.979	CL621	224	pencil
Sprinter 324 Bus (906)	3.5	06.06 -	190	3498	6	M 272.979	CL621	224	pencil
Sprinter 414 4x4 Flatbed (904)	2.3	05.97 - 05.06	105	2295	4	M 111.979	CL604	216	pencil/PIN-1
							CL606	218	pencil/PIN-1
Sprinter 414 4x4 Van (904)	2.3	05.97 - 05.06	105	2295	4	M 111.979	CL604	216	pencil/PIN-1
							CL606	218	pencil/PIN-1
Sprinter 414 Bus (904)	2.3	02.96 - 05.06	105	2295	4	M 111.979	CL604	216	pencil/PIN-1
							CL606	218	pencil/PIN-1
Sprinter 414 Flatbed (904)	2.3	02.96 - 05.06	105	2295	4	M 111.979	CL604	216	pencil/PIN-1
							CL606	218	pencil/PIN-1
Sprinter 414 Van (904)	2.3	02.96 - 05.06	105	2295	4	M 111.979	CL604	216	pencil/PIN-1
							CL606	218	pencil/PIN-1
Sprinter 424 Flatbed (906)	3.5	06.06 -	190	3498	6	M 272.979	CL621	224	pencil
Sprinter 424 Van (906)	3.5	06.06 -	190	3498	6	M 272.979	CL621	224	pencil

Mercedes

CAR	MODEL	YEAR	kW	ccm	CYL	MOTOR	COILTYPE	PAGE	INFO
MERCEDES									
Sprinter 516 Flatbed (906)	1.8	09.08 -	115	1796	4	M 271.951	CL622	225	pencil
Sprinter 524 Flatbed (906)	3.5	06.06 -	190	3498	6	M 272.979	CL621	224	pencil
Sprinter 524 Van (906)	3.5	06.06 -	190	3498	6	M 272.979	CL621	224	pencil
V 200 (638/2)	2.0	02.97 - 07.03	95	1998	4	M 111.948/M 111.950	CL604	216	pencil/PIN-1
							CL606	218	pencil/PIN-1
V 230 (638/2)	2.3	10.96 - 07.03	105	2295	4	M 111.978	CL604	216	pencil/PIN-1
							CL606	218	pencil/PIN-1
V 280 (638/2)	2.8	08.97 - 07.03	128	2792	6	M 104.900	CL021	142	PIN-6
Vaneo (414)	1.6	02.02 -	75	1598	4	M 166.961	CL610	220	rail
Vaneo (414)	1.6	02.02 -	60	1598	4	M 166.961	CL610	220	rail
Vaneo (414)	1.9	02.02 -	92	1898	4	M 166.991	CL610	220	rail
Viano (W639)	3.2	09.03 -	140	3199	6	M 112.951	CL605	217	PIN-2
Viano (W639)	3.2	09.03 -	160	3199	6	M 112.951	CL605	217	PIN-2
Viano (W639)	3.7	06.04 -	170	3724	6	M 112.976	CL605	217	PIN-2
Vito / Mixto 119 Van (W639)	3.2	09.03 -	140	3199	6	M 112.951	CL605	217	PIN-2
Vito / Mixto 122 Van (W639)	3.2	09.03 -	160	3199	6	M 112.951	CL605	217	PIN-2
Vito / Mixto 126 Van (W639)	3.5	09.07 -	190	3498	6	M 272.978	CL621	224	pencil
Vito 113 Bus (638)	2.0	02.96 - 07.03	95	1998	4	M 111.948/M 111.950	CL604	216	pencil/PIN-1
							CL606	218	pencil/PIN-1
Vito 113 Van (638)	2.0	03.97 - 07.03	95	1998	4	M 111.948/M 111.950	CL604	216	pencil/PIN-1
							CL606	218	pencil/PIN-1
Vito 114 Bus (638)	2.3	12.96 - 07.03	105	2295	4	M 111.978	CL604	216	pencil/PIN-1
							CL606	218	pencil/PIN-1
Vito 114 Van (638)	2.3	03.97 - 07.03	105	2295	4	M 111.978	CL604	216	pencil/PIN-1
							CL606	218	pencil/PIN-1
Vito 119 Bus (W639)	3.2	09.03 -	140	3199	6	M 112.951	CL605	217	PIN-2
Vito 122 Bus (W639)	3.2	09.03 -	160	3199	6	M 112.951	CL605	217	PIN-2
Vito 123 Bus (W639)	3.7	06.04 -	170	3724	6	M 112.976	CL605	217	PIN-2
Vito 126 Bus (W639)	3.5	09.07 -	190	3498	6	M 272.978	CL621	224	pencil
MG									
MG ZT 160	2.5	06.01 -	118	2497	6	25 K4F	CL702	226	pencil
MG ZT 190	2.5	06.01 -	140	2497	6	25 K4F	CL702	226	pencil
MG ZT- T 160	2.5	10.01 -	118	2497	6	25 K4F	CL702	226	pencil
MG ZT- T 190	2.5	10.01 -	140	2497	6	25 K4F	CL702	226	pencil
MGF (RD)	1.8 i16V	03.95 - 03.02	88	1796	4	18 K4F	CL700	226	SAE
	1.8 iVVC	03.95 - 03.02	107	1796	4	18 K4K	CL708	227	pencil/DIN-1
MINI									
Mini (R50, R53)	1.4	04.03 - 10.06	55	1398	4		CL706	227	SAE-4
Mini Cabriolet Cooper (R52)	1.6	07.04 -	85	1598	4	W10B16A	CL706	227	SAE-4
	1.6	03.09 -	88	1598	4	N12B16A	CL603	215	pencil
	1.6	03.10 -	90	1598	4	N16 B16 A	CL603	215	pencil
Mini Cabriolet Cooper S (R52)	1.6	07.04 -	125	1598	4	W11B16A	CL706	227	SAE-4
Mini Cabriolet Cooper S (R57)	1.6	03.09 -	128	1598	4	N14 B16 A	CL603	215	pencil
Mini Cabrio John Cooper Works	1.6	07.04 -	155	1598	4	W11B16A	CL706	227	SAE-4
Mini Cabrio John Cooper Works	1.6	03.08 -	155	1598	4	N14 B16 C	CL603	215	pencil
Mini Cabriolet One (R52)	1.6	07.04 -	66	1598	4	W10B16A	CL706	227	SAE-4
Mini Cabriolet One (R57)	1.6	03.10 -	72	1598	4		CL603	215	pencil
Mini Clubman Cooper (R55)	1.6	10.07 -	88	1598	4	N12B16A	CL603	215	pencil
	1.6	03.10 -	90	1598	4	N16 B16 A	CL603	215	pencil
Mini Clubman Cooper S (R55)	1.6	10.07 -	128	1598	4	N14 B16 A	CL603	215	pencil
Mini Clubman John Cooper Works	1.6	03.08 -	155	1598	4	N14 B16 C	CL603	215	pencil
Mini Clubman One (R55)	1.6	03.10 -	72	1598	4		CL603	215	pencil
Mini Cooper (R50, R53)	1.6	06.01 -	85	1598	4	N12B16A/W10B16A	CL706	227	SAE-4
Mini Cooper (R56)	1.6	10.06 -	88	1598	4	N12B16A	CL603	215	pencil
	1.6	03.10 -	90	1598	4	N16 B16 A	CL603	215	pencil
Mini Cooper S (R50, R53)	1.6	03.02 -	120	1598	4	N14 B16 A/W11B16A	CL706	227	SAE-4
	1.6	07.04 -	125	1598	4	W11B16A	CL706	227	SAE-4
Mini Countryman Cooper (R60)	1.6	06.10 -	90	1598	4	N16 B16 A	CL603	215	pencil
Mini Countryman One (R60)	1.6	06.10 -	72	1598	4		CL603	215	pencil
Mini John Cooper Works (R56)	1.6	07.07 -	160	1598	4		CL603	215	pencil

CAR	MODEL	YEAR	kW	ccm	CYL	MOTOR	COILTYPE	PAGE	INFO
MINI									
Mini John Cooper Works (R56)	1.6	03.08 -	155	1598	4	N14 B16 C	CL603	215	pencil
Mini One (R50, R53)	1.6	06.01 -	66	1598	4	W10B16A	CL706	227	SAE-4
Mini One (R56)	1.4	03.07 -	70	1397	4	N12B14A	CL603	215	pencil
	1.4	03.09 -	55	1397	4	N12B14A	CL603	215	pencil
	1.6	03.10 -	55	1598	4		CL603	215	pencil
	1.6	03.10 -	72	1598	4		CL603	215	pencil
Mini Works (R50, R53)	1.6	11.03 -	155	1598	4	W11B16A	CL706	227	SAE-4
MITSUBISHI									
Carisma (DA_)	1.6	07.95 - 06.06	66	1597	4	4 G 92	CL547	199	pencil/DIN5-1
	1.6	05.97 - 06.06	73	1597	4	4 G 92	CL547	199	pencil/DIN5-1
	1.6	12.98 - 06.06	70	1597	4	4 G 92	CL547	199	pencil/DIN5-1
	1.6	09.00 - 06.06	76	1597	4	4 G 92	CL547	199	pencil/DIN5-1
	1.8	07.95 - 06.06	85	1834	4	4G93	CL547	199	pencil/DIN5-1
	1.8 16V	07.95 - 06.06	103	1834	4	4G93	CL549	200	pencil
	1.8 16V GDI	09.97 - 06.06	92	1834	4	4G93 (GDI)	CL549	200	pencil
	1.8 GDI	10.00 - 06.06	90	1834	4	4G93 (GDI)	CL549	200	pencil
Carisma Sedan (DA_)	1.6	09.96 - 06.06	66	1597	4	4 G 92	CL547	199	pencil/DIN5-1
	1.6	05.97 - 06.06	73	1597	4	4 G 92	CL547	199	pencil/DIN5-1
	1.6	12.98 - 06.06	70	1597	4	4 G 92	CL547	199	pencil/DIN5-1
	1.6	09.00 - 06.06	76	1597	4	4 G 92	CL547	199	pencil/DIN5-1
	1.8	09.96 - 06.06	85	1834	4	4G93	CL547	199	pencil/DIN5-1
	1.8 16V GDI	09.97 - 06.06	92	1834	4	4G93 (GDI)	CL549	200	pencil
	1.8 GDI	10.00 - 06.06	90	1834	4	4G93 (GDI)	CL549	200	pencil
Colt CZC Cabriolet (RG)	1.5	05.06 -	80	1499	4	4A91	CL597	211	pencil
Colt III (C5_A)	1.5 cat	07.90 - 05.92	66	1468	4	4 G 15	CL508	191	DIN-1
	1.5 GLXi	04.88 - 05.92	62	1468	4	4 G 15	CL508	191	DIN-1
	1.6 GTi 16V	04.88 - 05.90	91	1596	4	4G61	CL526	195	DIN-4
Colt IV (CA_A)	1.6	02.94 - 04.96	66	1597	4	4 G 92	CL547	199	pencil/DIN5-1
	1.6 GLXi 16V	04.92 - 04.96	83	1597	4	4 G 92	CL547	199	pencil/DIN5-1
Colt V (CJ_A)	1.3	09.00 - 07.05	60	1299	4	4 G 13 (16V)	CL547	199	pencil/DIN5-1
	1.6	09.00 - 07.05	76	1597	4	4 G 92	CL547	199	pencil/DIN5-1
	1.6 GLX	05.96 - 09.00	66	1597	4	4 G 92	CL547	199	pencil/DIN5-1
Colt VI (Z_)	1.1	10.04 -	55	1124	3	3A91	CL597	211	pencil
	1.3	06.04 -	70	1332	4	4A90	CL597	211	pencil
	1.5	06.04 -	80	1499	4	4A91	CL597	211	pencil
Colt VII (Z2_, CZ_)	1.1	09.08 -	55	1124	3	3A91	CL597	211	pencil
	1.3	09.08 -	70	1332	4	4A90	CL597	211	pencil
	1.5	09.08 -	80	1499	4	4A91	CL597	211	pencil
Eclipse I (D2_A)	2.0 i 16V	04.91 - 11.95	110	1997	4	4 G 63 (DOHC 16V)	CL562	204	DIN-2
	2.0 i 16V 4x4	04.91 - 11.95	110	1997	4	4 G 63 (DOHC 16V)	CL562	204	DIN-2
Eclipse II (D3_)	2.0 GT 16V	12.95 - 04.99	157	1997	4		CL706	227	SAE-4
	2.4 GS 16V	09.98 - 04.99	105	2389	4		CL547	199	pencil/DIN5-1
Galant III (E1_A)	2.0 Turbo ECI	06.84 - 05.85	110	1997	4	4 G 63 T (SOHC 8V)	CL508	191	DIN-1
Galant IV (E3_A)	2.0	04.89 - 10.92	80	1997	4	4G63 (SOHC 8V)	CL508	191	DIN-1
							CL525	195	DIN-1
	2.0 4x4	04.89 - 10.92	80	1997	4	4G63 (SOHC 8V)	CL508	191	DIN-1
							CL525	195	DIN-1
	2.0 GTi 16V	11.88 - 10.92	106	1997	4	4 G 63 (DOHC 16V)	CL526	195	DIN-4
	2.0 GTi 16V	11.88 - 10.92	107	1997	4	4 G 63 (DOHC 16V)	CL526	195	DIN-4
	2.0 GTi 16V 4x4	07.89 - 12.92	106	1997	4	4 G 63 (DOHC 16V)	CL526	195	DIN-4
	1.8	11.87 - 10.92	66	1755	4	4G37	CL562	204	DIN-2
	2.0	11.87 - 10.92	80	1997	4	4G63 (SOHC 8V)	CL508	191	DIN-1
							CL525	195	DIN-1
							CL562	204	DIN-2
	2.0 4x4	12.88 - 10.92	80	1997	4	4G63 (SOHC 8V)	CL508	191	DIN-1
							CL525	195	DIN-1
	2.0 GTi 16V	11.87 - 10.92	106	1997	4	4 G 63 (DOHC 16V)	CL508	191	DIN-1
							CL526	195	DIN-4
							CL562	204	DIN-2

Mitsubishi

CAR	MODEL	YEAR	kW	ccm	CYL	MOTOR	COILTYPE	PAGE	INFO
MITSUBISHI									
Galant IV (E3_A)	2.0 GTi 16V	11.88 - 10.92	107	1997	4	4 G 63 (DOHC 16V)	CL526	195	DIN-4
							CL562	204	DIN-2
	2.0 GTi 16V 4x4	06.88 - 10.92	106	1997	4	4 G 63 (DOHC 16V)	CL508	191	DIN-1
							CL526	195	DIN-4
						CL562	204	DIN-2	
	2.0 GTi 16V 4x4 cat	09.91 - 10.92	110	1997	4	4 G 63 (DOHC 16V)	CL508	191	DIN-1
Galant VI (EA_)	2.0	09.96 - 09.00	100	1997	4	4 G 63 (DOHC 16V)	CL547	199	pencil/DIN5-1
	2.0	09.00 - 10.04	98	1997	4	4 G 63 (DOHC 16V)	CL547	199	pencil/DIN5-1
	2.4 GDI	02.99 - 09.00	110	2351	4	4G64 (GDI)	CL547	199	pencil/DIN5-1
	2.4 GDI	09.00 - 10.04	106	2351	4	4G64 (GDI)	CL547	199	pencil/DIN5-1
Galant VI Station Wagon (EA_)	2.0	09.96 - 09.00	100	1997	4	4 G 63 (DOHC 16V)	CL547	199	pencil/DIN5-1
	2.0	09.00 - 10.03	98	1997	4	4 G 63 (DOHC 16V)	CL547	199	pencil/DIN5-1
	2.4 GDI	02.99 - 09.00	110	2351	4	4G64 (GDI)	CL547	199	pencil/DIN5-1
	2.4 GDI	09.00 - 10.03	106	2351	4	4G64 (GDI)	CL547	199	pencil/DIN5-1
Grandis (NA_W)	2.4	04.04 -	121	2378	4	4G69	CL547	199	pencil/DIN5-1
L 300 Bus (P0_W, P1_W, P2_W)	2.0 4WD	11.86 -	66	1997	4	4G63 (SOHC 8V)	CL907	231	DIN-1
	2.0 4WD	12.86 -	65	1997	4	4G63 (SOHC 8V)	CL907	231	DIN-1
L 300 Flatbed (P1_T)	2.0	07.94 -	85	1997	4	4 G 63 (DOHC 16V)	CL907	231	DIN-1
Lancer Combi (CS_W)	2.0	09.03 - 12.07	99	1997	4	4 G 63 (DOHC 16V)	CL547	199	pencil/DIN5-1
Lancer III Station Wagon (C1_V)	1.5	09.85 - 12.87	55	1468	4	4 G 15	CL508	191	DIN-1
	1.5	09.88 - 12.90	61	1468	4	4 G 15	CL508	191	DIN-1
	1.5 12V	09.90 - 12.91	66	1468	4	4G15 (12V)	CL508	191	DIN-1
	1.8 4x4	08.90 - 06.92	69	1755	4	4G37	CL508	191	DIN-1
Lancer IV (C6_A, C7_A)	1.5	06.88 - 05.92	62	1468	4	4 G 15	CL508	191	DIN-1
	1.5 12V	05.89 - 05.92	66	1468	4	4G15 (12V)	CL508	191	DIN-1
	1.6 4x4	06.92 - 11.93	84	1597	4	4 G 92	CL562	204	DIN-2
	1.6 16V	06.92 - 05.94	83	1597	4	4 G 92	CL562	204	DIN-2
	1.8 4x4	09.89 - 06.92	71	1755	4	4G37	CL508	191	DIN-1
Lancer IV Sedan (C6_A)	1.5	04.88 - 05.92	62	1468	4	4 G 15	CL508	191	DIN-1
	1.5 12V	05.89 - 05.92	66	1468	4	4G15 (12V)	CL508	191	DIN-1
Lancer VI (CK/P_A)	1.3 12V	12.95 - 08.03	55	1299	4	4 G 13 (12V)	CL502	189	DIN-4
	1.6 16V	12.95 - 08.03	66	1597	4	4 G 92	CL547	199	pencil/DIN5-1
	2.0 16V EVO IV ... VII	08.96 - 08.03	206	1997	4	4 G 63 Turbo	CL582	208	pencil/DIN5-1
Lancer Sedan (CS_A)	1.6	09.03 -	72	1584	4	4G18	CL547	199	pencil/DIN5-1
Lancer Sedan (CS_A)	2.0	12.03 -	99	1997	4	4 G 63 (DOHC 16V)	CL547	199	pencil/DIN5-1
	2.0 16V EVO VIII	03.04 -	195	1997	4		CL582	208	pencil/DIN5-1
	2.0 16V EVO IX	01.06 -	206	1997	4	4 G 63 Turbo	CL582	208	pencil/DIN5-1
Outlander I (CU_)	2.0	05.03 - 10.06	100	1997	4	4 G 63 (DOHC 16V)	CL582	208	pencil/DIN5-1
	2.0 4WD	05.03 - 10.06	93	1997	4	4 G 63 (DOHC 16V)	CL582	208	pencil/DIN5-1
	2.0 4WD	05.03 -	100	1997	4	4 G 63 (DOHC 16V)	CL582	208	pencil/DIN5-1
	2.0 4WD	05.03 -	177	1997	4		CL582	208	pencil/DIN5-1
	2.0 Turbo 4WD	04.04 -	148	1997	4	4 G 63 T (DOHC 16V)	CL582	208	pencil/DIN5-1
	2.4 4WD	05.03 -	102	2351	4	4G64 (SOHC 16V)	CL547	199	pencil/DIN5-1
	2.4 4WD	05.03 -	119	2378	4	4G69	CL547	199	pencil/DIN5-1
	2.4 4WD	11.03 -	118	2378	4	4G69	CL547	199	pencil/DIN5-1
Pajero I (L04_G, L14_G)	3.0 V6	11.88 - 11.90	104	2995	6	6G72	CL543	199	DIN-1
Pajero I Canvas Top (L04_G)	2.6	01.83 - 11.90	76	2555	4	4G54	CL543	199	DIN-1
Pajero II (V3_W, V2_W, V4_W)	2.4	04.91 - 04.00	82	2351	4	4G64 (12V)	CL508	191	DIN-1
							CL558	202	DIN-1
	3.0 V6 4x4	12.90 - 12.95	110	2972	6	6G72/6G72 (SOHC 12V)	CL543	199	DIN-1
	3.0 V6 24V	06.94 - 05.97	133	2972	6	6G72 (DOHC 24V)	CL598	212	DIN5-2
	3.0 V6 24V	06.97 - 04.00	130	2972	6	6G72 (DOHC 24V)	CL598	212	DIN5-2
	3.5 V6 24V	06.94 - 04.00	153	3497	6	6G74 (DOHC 24V)	CL598	212	DIN5-2
Pajero II Canvas Top	3.5 V6 24V	07.97 - 04.00	143	3497	6	6G74 (DOHC 24V)/6G74 (SOHC 24V)	CL598	212	DIN5-2
	1.8 GDI	06.98 - 04.00	96	1834	4	4G93 (GDI)	CL547	199	pencil/DIN5-1
	2.4	04.91 - 04.00	82	2351	4	4G64 (12V)	CL508	191	DIN-1
							CL558	202	DIN-1
	3.0 V6	12.90 - 12.95	110	2972	6	6G72	CL543	199	DIN-1
Pajero Pinin (H6_W, H7_W)	3.0 V6 24V	06.94 - 04.00	133	2972	6	6G72 (DOHC 24V)	CL598	212	DIN5-2
	1.8	11.01 -	84	1834	4	4G93	CL549	200	pencil

CAR	MODEL	YEAR	kW	ccm	CYL	MOTOR	COILTYPE	PAGE	INFO
MITSUBISHI									
Pajero Pinin (H6_W, H7_W)	1.8 GDI	10.99 -	88	1834	4	4G93 (GDI)	CL549	200	pencil
	2.0 GDI	10.00 -	95	1999	4	4G94 (GDI)	CL549	200	pencil
Pajero Sport (K90)	3.0 V6	11.98 -	130	2972	6	6G72 (DOHC 24V)/6G72 (SOHC 24V)	CL598	212	DIN5-2
	3.0 V6	06.00 -	125	2972	6	6G72 (DOHC 24V)	CL598	212	DIN5-2
Sapporo III (E16A)	2.4	06.87 - 08.90	91	2351	4	4G64 (8V)	CL525	195	DIN-1
Sigma (F16A)	3.0 V6	12.90 - 07.96	130	2972	6	6G72	CL558	202	DIN-1
Sigma Station Wagon (F07W)	3.0 V6	01.93 - 07.96	125	2972	6	6G72	CL558	202	DIN-1
Space Gear (PA/B/D_V/W)	2.0 16V	08.96 - 05.00	83	1997	4	4 G 63 (DOHC 16V)	CL907	231	DIN-1
Space Runner (N50)	2.0	08.99 -	100	1997	4	4 G 63 (DOHC 16V)	CL547	199	pencil/DIN5-1
Space Star (DG0)	1.3 16V	06.98 -	63	1299	4	4 G 13 (16V)	CL547	199	pencil/DIN5-1
	1.3 16V	12.98 -	61	1299	4	4 G 13 (16V)	CL547	199	pencil/DIN5-1
	1.3 16V	09.00 -	60	1299	4	4 G 13 (16V)	CL547	199	pencil/DIN5-1
	1.6 16V	01.01 -	72	1584	4	4G18	CL547	199	pencil/DIN5-1
	1.8 GDI	06.98 -	87	1834	4	4G93 (GDI)	CL549	200	pencil
	1.8 GDI	06.98 -	90	1834	4	4G93 (GDI)	CL549	200	pencil
	1.8 MPI	10.02 -	82	1834	4	4G93	CL547	199	pencil/DIN5-1
Space Wagon (N3_W, N4_W)	2.0	10.92 - 10.98	98	1997	4	4 G 63 (DOHC 16V)	CL547	199	pencil/DIN5-1
	2.0 4x4	10.92 - 10.98	98	1997	4	4 G 63 (DOHC 16V)	CL547	199	pencil/DIN5-1
Space Wagon (N5_W)	2.0 GDI	04.02 - 12.04	98	1997	4	4 G 63 (DOHC 16V)	CL547	199	pencil/DIN5-1
	2.4 GDI	10.98 -	110	2351	4	4G64 (GDI)	CL547	199	pencil/DIN5-1
	2.4 GDI	09.00 -	108	2351	4	4G64 (GDI)	CL547	199	pencil/DIN5-1
	2.4 GDI 4x4	10.98 -	110	2351	4	4G64 (GDI)	CL547	199	pencil/DIN5-1
	2.4 GDI 4x4	09.00 -	108	2351	4	4G64 (GDI)	CL547	199	pencil/DIN5-1
NISSAN									
100 NX (B13)	1.6	03.90 - 10.94	66	1597	4	GA16DS	CL509	191	DIN-1
	1.6 SR	09.93 - 10.94	75	1597	4	GA16DE	CL509	191	DIN-1
	2.0 GTI	03.91 - 10.94	105	1998	4	SR20DE	CL509	191	DIN-1
200 SX (S14)	2.0 i 16V	10.93 - 12.99	118	1998	4	SR20DE	CL509	191	DIN-1
	2.0 i 16V Turbo	10.93 - 12.99	147	1998	4	SR20DET	CL509	191	DIN-1
Almera I (N15)	1.4	09.95 - 07.00	64	1392	4	GA14DE	CL509	191	DIN-1
	1.4 GX,LX	09.95 - 07.00	55	1392	4	GA14DE	CL509	191	DIN-1
	1.6	09.95 - 07.00	73	1597	4	GA16DE	CL509	191	DIN-1
	1.6 SLX	09.95 - 07.00	66	1597	4	GA16DE	CL509	191	DIN-1
Almera I Hatchback (N15)	1.4	09.95 - 03.00	64	1392	4	GA14DE	CL509	191	DIN-1
	1.4 S,GX,LX	09.95 - 03.00	55	1392	4	GA14DE	CL509	191	DIN-1
	1.6	09.95 - 03.00	73	1597	4	GA16DE	CL509	191	DIN-1
	1.6 SR,SLX	09.95 - 03.00	66	1597	4	GA16DE	CL509	191	DIN-1
	2.0 GTi	07.96 - 03.00	105	1998	4	SR20DE	CL509	191	DIN-1
Almera II (N16)	1.5	07.00 -	66	1498	4	QG15DE	CL510	192	pencil
							CL511	192	pencil
	1.5	10.02 -	72	1497	4	QG15DE	CL510	192	pencil
							CL511	192	pencil
	1.8	07.00 -	84	1769	4	QG18DE	CL510	192	pencil
							CL511	192	pencil
1.8	10.02 -	85	1769	4	QG18DE	CL510	192	pencil	
						CL511	192	pencil	
Almera II Hatchback (N16)	1.5	03.00 -	66	1498	4	QG15DE	CL511	192	pencil
							CL511	192	pencil
	1.8	01.00 -	84	1769	4	QG18DE	CL511	192	pencil
							CL511	192	pencil
Almera Tino (V10)	1.8	08.00 -	84	1769	4	QG18DE	CL510	192	pencil
							CL511	192	pencil
	1.8	12.02 -	85	1769	4	QG18DE	CL510	192	pencil
						CL511	192	pencil	
Bluebird (U11)	1.8 Turbo	04.84 - 05.90	99	1809	4	CA18T	CL558	202	DIN-1
Bluebird (T72, T12)	1.8 Turbo	12.85 - 05.90	99	1809	4	CA18T	CL558	202	DIN-1
Bluebird Hatchback (T72, T12)	1.8 Turbo	12.85 - 05.90	99	1809	4	CA18T	CL558	202	DIN-1
Cube (Z12)	1.6 16V	03.10 -	81	1598	4	HR 16 DE	CL554	201	pencil
Juke	1.6 DIG-T	06.10 -	140	1618	4	MR16DDT	CL900	229	pencil
	1.6 DIG-T 4x4	06.10 -	140	1618	4	MR16DDT	CL900	229	pencil

CAR	MODEL	YEAR	kW	ccm	CYL	MOTOR	COILTYPE	PAGE	INFO		
NISSAN											
Kubistar (X76)	1.2	08.03 -	44	1149	4	D7F 764	CL116	152	PIN-4		
	1.2 16V	04.06 -	55	1149	4	D4F 712	CL116	152	PIN-4		
	1.6 16V	08.03 -	70	1598	4	K4M 752	CL100	144	pencil		
Kubistar Van	1.2	08.03 -	44	1149	4	D7F 764	CL116	152	PIN-4		
	1.2 16V	04.06 -	55	1149	4	D4F 712	CL116	152	PIN-4		
	1.6 16V	08.03 -	70	1598	4	K4M 752	CL116	152	PIN-4		
Maxima II (J30)	3.0 i	10.88 - 06.94	125	2960	6	VG30E	CL509	191	DIN-1		
							CL537	198	pencil		
							CL538	198	pencil		
Maxima QX II (A33)	2.0 V6 24V	03.00 -	103	1995	6	VQ20DE	CL535	197	pencil		
							CL536	197	pencil		
	2.5 V6 24V	03.00 -	154	2496	6	VQ25DE	CL535	197	pencil		
							CL536	197	pencil		
	3.0 V6 24V	03.00 -	147	2988	6	VQ30DE	CL535	197	pencil		
Maxima QX III (A32)	2.0	02.95 - 08.00	103	1995	6	VQ20DE	CL535	197	pencil		
							CL536	197	pencil		
	2.5 V6 24V	02.95 - 08.00	140	2496	6	VQ25DE	CL535	197	pencil		
							CL536	197	pencil		
	3.0	01.95 - 08.00	142	2988	6	VQ30DE	CL535	197	pencil		
Maxima Station Wagon	2.0 QX	10.97 -	103	1995	6	VQ20DE	CL535	197	pencil		
							CL536	197	pencil		
	2.5 V6 24V	10.97 -	140	2496	6	VQ25DE	CL535	197	pencil		
							CL536	197	pencil		
	3.0 QX	10.97 -	142	2988	6	VQ30DE	CL535	197	pencil		
Micra C+C (K12)	1.4 16V	08.05 -	65	1386	4	CR14DE	CL534	197	pencil		
	1.6 160 SR	08.05 -	81	1598	4	HR 16 DE	CL554	201	pencil		
	Micra I (K10)	1.2	07.86 - 07.92	40	1235	4	MA12S	CL509	191	DIN-1	
		Micra II (K11)	1.0 i 16V	08.92 - 09.00	40	998	4	CG10DE	CL521	194	pencil
			1.0 i 16V	09.00 - 02.03	44	998	4	CG10DE	CL521	194	pencil
1.3 i 16V	08.92 - 09.00	55	1275	4	CG13DE	CL521	194	pencil			
1.4 i 16V	09.00 - 02.03	60	1348	4	CGA3DE	CL521	194	pencil			
Micra III (K12)	1.0 16V	01.03 -	48	998	4	CG10DE	CL534	197	pencil		
	1.2 16V	01.03 -	48	1240	4	CR12DE/CG12DE	CL534	197	pencil		
	1.2 16V	01.03 -	59	1240	4	CR12DE/CG12DE	CL534	197	pencil		
	1.4 16V	01.03 -	65	1386	4	CR14DE	CL534	197	pencil		
	1.6 160 SR	05.05 -	81	1598	4	HR 16 DE	CL554	201	pencil		
Note (E11)	1.4	03.06 -	65	1386	4	CR14DE	CL534	197	pencil		
	1.6	03.06 -	81	1598	4	HR 16 DE	CL554	201	pencil		
Pathfinder (R51)	4.0 4WD	09.05 -	198	3954	6	VQ40DE	CL535	197	pencil		
							CL536	197	pencil		
Pick Up (D21)	2.4 i 12V	04.92 - 02.98	91	2389	4	KA24E	CL509	191	DIN-1		
	2.4 i 12V 4WD	04.92 - 02.98	93	2389	4	KA24E	CL509	191	DIN-1		
Prairie Pro (M11)	2.0 i	10.88 - 04.92	72	1974	4	CA20E	CL509	191	DIN-1		
	2.0 i 4x4	10.88 - 12.92	72	1974	4	CA20E	CL509	191	DIN-1		
	2.4 i	04.92 - 07.94	98	2389	4	KA24E	CL509	191	DIN-1		
	2.4 i 4x4	04.92 - 07.94	98	2389	4	KA24E	CL509	191	DIN-1		
Primastar Bus (X83)	2.0	03.01 -	88	1998	4	F4R 722/F4R 720	CL100	144	pencil		
							CL116	152	PIN-4		
Primastar Van (X83)	2.0	02.03 -	88	1998	4	F4R 720	CL100	144	pencil		
							CL116	152	PIN-4		
Primera (P10)	1.6	06.90 - 01.96	66	1597	4	GA16DS	CL509	191	DIN-1		
	1.6	06.93 - 01.96	75	1597	4	GA16DE	CL509	191	DIN-1		
	2.0 16V	06.90 - 01.96	85	1998	4	SR20DI	CL509	191	DIN-1		
	2.0 16V 4x4	04.91 - 06.96	85	1998	4	SR20DI	CL509	191	DIN-1		
	2.0 GT	06.90 - 01.96	110	1998	4	SR20DE	CL509	191	DIN-1		
	2.0 i	01.95 - 06.96	92	1998	4	SR20DE	CL509	191	DIN-1		

CAR	MODEL	YEAR	kW	ccm	CYL	MOTOR	COILTYPE	PAGE	INFO
NISSAN									
Primera (P11)	1.6 16V	09.96 - 12.01	66	1597	4	GA16DE	CL509	191	DIN-1
	1.6 16V	09.96 - 10.00	73	1597	4	GA16DE	CL509	191	DIN-1
	1.6 16V	06.96 - 12.01	78	1597	4	QG16DE	CL511	192	pencil
	1.8 16V	08.99 - 12.01	84	1769	4	QG18DE	CL511	192	pencil
	2.0 16V	09.96 - 12.01	85	1998	4	SR20De	CL509	191	DIN-1
	2.0 16V	09.96 - 12.01	96	1998	4	SR20DE	CL509	191	DIN-1
	2.0 16V	09.96 - 12.01	110	1998	4	SR20DE	CL509	191	DIN-1
	2.0 16V	08.99 - 12.01	103	1998	4	SR20DE	CL509	191	DIN-1
Primera (P12)	1.6	03.02 -	78	1597	4	QG16DE	CL511	192	pencil
	1.6	01.02 -	80	1597	4	QG16DE	CL511	192	pencil
	2.0	03.02 -	103	1998	4	QR20DE	CL592	210	pencil
Primera Combi (WP12)	1.6 Visia	01.02 -	80	1597	4	QG16DE	CL511	192	pencil
	2.0	03.02 -	103	1998	4	QR20DE	CL592	210	pencil
Primera Hatchback (P10)	1.6	06.90 - 01.96	66	1597	4	GA16DS	CL509	191	DIN-1
	2.0 16V	06.90 - 01.96	85	1998	4	SR20DI	CL509	191	DIN-1
	2.0 16V 4x4	04.91 - 06.96	85	1998	4	SR20DI	CL509	191	DIN-1
	2.0 i	01.95 - 06.96	92	1998	4	SR20DE	CL509	191	DIN-1
Primera Hatchback (P11)	1.6 16V	09.96 - 07.02	66	1597	4	GA16DE	CL509	191	DIN-1
	1.6 16V	09.96 - 07.02	73	1597	4	GA16DE	CL509	191	DIN-1
	1.6 16V	09.00 - 07.02	78	1597	4	QG16DE	CL511	192	pencil
	1.8 16V	08.99 - 07.02	84	1769	4	QG18DE	CL511	192	pencil
	2.0 16V	09.96 - 07.02	85	1998	4	SR20De	CL509	191	DIN-1
	2.0 16V	09.96 - 07.02	96	1998	4	SR20DE	CL509	191	DIN-1
	2.0 16V	09.96 - 07.02	110	1998	4	SR20DE	CL509	191	DIN-1
	2.0 16V	08.99 - 07.02	103	1998	4	SR20DE	CL509	191	DIN-1
Primera Hatchback (P12)	1.6	07.02 -	78	1597	4	QG16DE	CL511	192	pencil
	1.6	07.02 -	80	1597	4	QG16DE	CL511	192	pencil
	1.8	07.02 -	85	1769	4	QG18DE	CL511	192	pencil
	2.0	07.02 -	103	1998	4	QR20DE	CL592	210	pencil
Primera Traveller (W10)	1.6 i	07.90 - 03.98	66	1597	4	GA16DS	CL509	191	DIN-1
	1.6 i	03.94 - 03.98	75	1597	4	GA16DE	CL509	191	DIN-1
	2.0 i	07.90 - 03.98	85	1998	4	SR20DI	CL509	191	DIN-1
Primera Traveller (WP11)	1.6 16V	04.98 - 12.01	66	1597	4	GA16DE	CL509	191	DIN-1
	1.6 16V	04.98 - 12.01	73	1597	4	GA16DE	CL509	191	DIN-1
	1.8 16V	08.99 - 12.01	84	1769	4	QG18DE	CL511	192	pencil
	2.0 16V	04.98 - 12.01	85	1998	4	SR20De	CL509	191	DIN-1
	2.0 16V	04.98 - 12.01	96	1998	4	SR20DE	CL509	191	DIN-1
	2.0 16V	08.99 - 12.01	103	1998	4	SR20DE	CL509	191	DIN-1
Qashqai (J10, JJ10)	1.6	02.07 -	84	1598	4	HR 16 DE	CL554	201	pencil
	2.0	02.07 -	103	1997	4	MR20DE	CL554	201	pencil
	2.0 Allrad	02.07 -	103	1997	4	MR20DE	CL554	201	pencil
Serena (C23M)	1.6 16V	02.93 - 09.01	71	1597	4	GA16DE	CL509	191	DIN-1
	2.0 16V	11.92 - 09.01	93	1998	4	SR20DE	CL509	191	DIN-1
Sunny II (N13)	1.6 i	06.86 - 10.90	54	1597	4	E16i	CL558	202	DIN-1
	1.6 i 4x4	06.86 - 10.90	54	1597	4	E16i	CL558	202	DIN-1
Sunny II Hatchback (N13)	1.6 i	06.86 - 10.90	54	1597	4	E16i	CL558	202	DIN-1
Sunny III (N14)	1.4 i	10.90 - 05.95	55	1392	4	GA14DE /GA14DS	CL509	191	DIN-1
	1.6 i	10.90 - 05.95	66	1597	4	GA16DE/GA16DEL/GA16DS	CL509	191	DIN-1
	1.6 i 16V	10.92 - 05.95	75	1597	4	GA16DE	CL509	191	DIN-1
	1.6 i 16V 4WD	10.90 - 05.95	66	1597	4	GA16DS	CL509	191	DIN-1
Sunny III Hatchback (N14)	1.4 i	10.90 - 05.95	55	1392	4	GA14DE /GA14DS	CL509	191	DIN-1
	1.6 i	10.90 - 05.95	66	1597	4	GA16DE/GA16DEL/GA16DS	CL509	191	DIN-1
	2.0 GTI 16V	10.90 - 05.95	105	1998	4	SR20DE	CL509	191	DIN-1
	2.0 GTI-R 4x4	10.90 - 05.95	162	1998	4	SR20DET	CL509	191	DIN-1
Sunny III Liftback (N14)	1.4 i	10.90 - 05.95	55	1392	4	GA14DE /GA14DS	CL509	191	DIN-1
	1.6 i	10.90 - 05.95	66	1597	4	GA16DE/GA16DEL/GA16DS	CL509	191	DIN-1
	2.0 i 16V	10.90 - 05.95	105	1998	4	SR20DE	CL509	191	DIN-1
Sunny III Traveller (Y10)	1.6 i	06.91 - 03.00	66	1597	4	GA16DE/GA16DS	CL509	191	DIN-1
	1.6 i 16V 4x4	10.92 - 03.00	75	1597	4	GA16DE	CL509	191	DIN-1
Sunny Van (Y10)	1.6 i 16V	10.92 - 03.00	66	1597	4	GA16DE	CL509	191	DIN-1

CAR	MODEL	YEAR	kW	ccm	CYL	MOTOR	COILTYPE	PAGE	INFO
NISSAN									
Terrano I (WD21)	3.0 i 4WD	01.90 - 12.95	109	2960	6	VG30E	CL509	191	DIN-1
Terrano II (R20)	2.4 4WD	05.96 - 01.02	85	2389	4	KA24E	CL509	191	DIN-1
	2.4 4WD	05.96 -	87	2389	4	KA24E	CL509	191	DIN-1
	2.4 i 12V 4WD	02.93 - 06.96	91	2389	4	KA24E	CL509	191	DIN-1
Tiida CC (C11X)	1.6	09.07 -	81	1598	4	HR 16 DE	CL554	201	pencil
	1.8	09.07 -	93	1798	4	MR18DE	CL554	201	pencil
Tiida Sedan (SC11X)	1.6	09.07 -	81	1598	4	HR 16 DE	CL554	201	pencil
	1.8	09.07 -	93	1798	4	MR18DE	CL554	201	pencil
X-Trail (T30)	2.0	07.01 -	103	1998	4	QR20DE	CL592	210	pencil
	2.0 4x4	07.01 -	103	1998	4	QR20DE	CL592	210	pencil
	2.5 4x4	01.03 -	121	2488	4	QR25DE	CL592	210	pencil
X-Trail (T31)	2.5	06.07 -	124	2488	4	QR25DE	CL592	210	pencil
	2.0	06.07 -	104	1997	4	MR20DE	CL554	201	pencil
	2.0	06.08 -	103	1998	4	MR20DE	CL554	201	pencil
	2.0 FWD	03.07 -	104	1997	4	MR20DE	CL554	201	pencil
	2.0 FWD	06.08 -	103	1998	4	MR20DE	CL554	201	pencil
OPEL									
Agila (H00)	1.0	08.03 -	44	998	3	Z 10 XEP	CL217	170	rail
	1.0 12V	09.00 -	43	973	3	Z 10 XE	CL213	169	rail
	1.2 16V	09.00 -	55	1199	4	Z 12 XE	CL214	169	rail
	1.2 16V Twinport	07.04 -	59	1229	4	Z 12 XEP	CL215	169	rail
Agila (H08)	1.2	04.08 -	63	1242	4	K12B	CL215	169	rail
	1.0	04.08 -	48	996	3	K10B	CL215	169	rail
Antara	2.4	05.06 -	104	2405	4	Z 24 XED	CL220	171	PIN-4
	2.4 FWD	09.08 -	103	2405	4	Z 24 XE	CL220	171	PIN-4
Ascona A (81_, 86_, 87_, 88_)	1.9 SR	03.71 - 02.75	66	1897	4	19 S	CL228	173	DIN-1
	1.9 SR	03.75 - 08.75	65	1897	4	19 S	CL228	173	DIN-1
Ascona A Voyage (84_, 89_)	1.9 SR	10.70 - 02.75	66	1897	4	19 S	CL228	173	DIN-1
	1.9 SR	03.75 - 08.75	65	1897	4	19 S	CL228	173	DIN-1
Ascona B (81_, 86_, 87_, 88_)	1.9 N	08.76 - 08.81	55	1897	4	19 N	CL228	173	DIN-1
	1.9 S	09.75 - 08.81	66	1897	4	19 S	CL228	173	DIN-1
	2.0 E	08.79 - 08.81	81	1979	4	20 E	CL228	173	DIN-1
	2.0 S	08.77 - 08.81	74	1979	4	20 S	CL228	173	DIN-1
	Ascona C (81_, 86_, 87_, 88_)	1.3 N	09.81 - 08.86	44	1297	4	13 N	CL205	165
1.3 S	09.81 - 08.88	55	1297	4	13 S	CL205	165	SAE-1	
1.6	09.81 - 09.87	55	1598	4	16 N	CL205	165	SAE-1	
1.6 i	09.87 - 08.88	55	1598	4	E 16 NZ/E 16 LZ	CL205	165	SAE-1	
1.6 i cat	09.86 - 08.88	55	1598	4	C 16 NZ/C 16 LZ	CL205	165	SAE-1	
Ascona C CC (84_, 89_)	1.3 N	09.81 - 08.86	44	1297	4	13 N	CL205	165	SAE-1
	1.3 S	09.81 - 08.88	55	1297	4	13 S	CL205	165	SAE-1
	1.6	09.81 - 08.88	55	1598	4	16 N	CL205	165	SAE-1
	1.6 i	09.87 - 08.88	55	1598	4	E 16 NZ	CL205	165	SAE-1
	1.6 i cat	09.86 - 08.88	55	1598	4	C 16 NZ/C 16 LZ	CL205	165	SAE-1
Astra F (56_, 57_)	1.4	09.92 - 09.98	60	1389	4	14 SE	CL206	166	PIN-1
	1.4 i	09.91 - 09.98	44	1389	4	C 14 NZ/X 14 NZ	CL206	166	PIN-1
	1.4 i 16V	02.96 - 09.98	66	1389	4	X 14 XE	CL200	163	PIN-4
	1.4 Si	03.92 - 09.98	60	1389	4	C 14 SE	CL200	163	PIN-4
							CL206	166	PIN-1
	1.6	09.95 - 09.98	55	1598	4	16 NZR/16 LZ2	CL206	166	PIN-1
	1.6 i	05.93 - 07.96	52	1598	4	X 16 SZ	CL200	163	PIN-4
	1.6 i	03.92 - 09.98	55	1598	4	C 16 NZ/X 16 SZR	CL200	163	PIN-4
							CL205	165	SAE-1
	1.6 i	08.96 - 09.98	55	1598	4	X 16 SZR	CL200	163	PIN-4
	1.6 i 16V	08.94 - 09.98	74	1598	4	X 16 XEL	CL200	163	PIN-4
	1.6 Si	05.92 - 12.94	74	1598	4	C 16 SE	CL200	163	PIN-4
	1.8 i	03.92 - 09.98	66	1796	4	C 18 NZ	CL206	166	PIN-1
1.8 i 16V	06.93 - 10.94	92	1799	4	C 18 XE	CL207	167	PIN-4	
1.8 i 16V	11.94 - 09.98	85	1799	4	C 18 XEL/X 18 XE	CL207	167	PIN-4	
2.0 i 16V	02.95 - 09.98	100	1998	4	X 20 XEV	CL207	167	PIN-4	
Astra F Cabriolet (53_B)	1.4 i 16V	01.96 - 03.01	66	1389	4	X 14 XE	CL200	163	PIN-4

CAR	MODEL	YEAR	kW	ccm	CYL	MOTOR	COILTYPE	PAGE	INFO
OPEL									
Astra F Cabriolet (53_B)	1.4 Si	05.93 - 03.01	60	1389	4	C 14 SE	CL200	163	PIN-4
							CL206	166	PIN-1
	1.6 i	03.93 - 08.96	52	1598	4	X 16 SZ	CL200	163	PIN-4
	1.6 i	01.96 - 03.01	55	1598	4	X 16 SZR	CL200	163	PIN-4
Astra F Caravan (51_, 52_)	1.8 i 16V	11.94 - 03.01	85	1799	4	C 18 XEL/X 18 XE	CL207	167	PIN-4
	1.4	09.92 - 01.98	60	1389	4	14 SE	CL206	166	PIN-1
	1.4 i	09.91 - 01.98	44	1389	4	C 14 NZ	CL206	166	PIN-1
	1.4 i 16V	02.96 - 01.98	66	1389	4	X 14 XE	CL200	163	PIN-4
	1.4 Si	03.92 - 01.98	60	1389	4	C 14 SE	CL200	163	PIN-4
							CL206	166	PIN-1
	1.6 i	09.91 - 01.98	55	1598	4	C 16 NZ/X 16 SZR	CL200	163	PIN-4
							CL205	165	SAE-1
	1.6 i	05.93 - 07.96	52	1598	4	X 16 SZ	CL200	163	PIN-4
	1.6 i 16V	08.94 - 01.98	74	1598	4	X 16 XEL	CL200	163	PIN-4
	1.6 Si	03.92 - 12.94	74	1598	4	C 16 SE	CL200	163	PIN-4
	1.8 i	09.91 - 01.98	66	1796	4	C 18 NZ	CL206	166	PIN-1
	1.8 i 16V	06.93 - 01.98	92	1799	4	C 18 XE	CL207	167	PIN-4
	1.8 i 16V	07.94 - 01.98	85	1799	4	C 18 XEL/X 18 XE	CL207	167	PIN-4
	2.0 i 16V	03.93 - 01.98	110	1998	4	C 20 XE	CL219	170	PIN-4
	2.0 i 16V	02.95 - 01.98	100	1998	4	X 20 XEV	CL207	167	PIN-4
Astra F CC (53_, 54_, 58_, 59_)	1.4	09.91 - 09.93	55	1389	4	14 NV	CL206	166	PIN-1
	1.4	09.92 - 01.98	60	1389	4	14 SE	CL206	166	PIN-1
	1.4 i	03.92 - 01.98	44	1389	4	C 14 NZ	CL206	166	PIN-1
	1.4 i 16V	01.96 - 01.98	66	1389	4	X 14 XE	CL200	163	PIN-4
	1.4 Si	03.92 - 01.98	60	1389	4	C 14 SE	CL206	166	PIN-1
	1.6 i	09.91 - 01.98	55	1598	4	C 16 NZ/X 16 SZR	CL200	163	PIN-4
	1.6 i	05.93 - 07.96	52	1598	4	X 16 SZ	CL200	163	PIN-4
							CL205	165	SAE-1
	1.6 i 16V	08.94 - 01.98	74	1598	4	X 16 XEL	CL200	163	PIN-4
	1.6 Si	03.92 - 12.94	74	1598	4	C 16 SE	CL200	163	PIN-4
	1.8 i	09.91 - 01.98	66	1796	4	C 18 NZ	CL206	166	PIN-1
	1.8 i 16V	06.93 - 08.94	92	1799	4	C 18 XE	CL207	167	PIN-4
	1.8 i 16V	09.94 - 01.98	85	1799	4	C 18 XEL/X 18 XE	CL207	167	PIN-4
	2.0 GSi 16V	09.91 - 01.98	110	1998	4	C 20 XE	CL219	170	PIN-4
	2.0 i 16V	02.95 - 01.98	100	1998	4	X 20 XEV	CL207	167	PIN-4
	Astra F Classic Caravan	1.4 i	01.98 - 01.05	44	1389	4	X 14 NZ	CL206	166
1.6 i		01.98 - 01.05	55	1598	4	X 16 SZR	CL200	163	PIN-4
1.6 i 16V		01.98 - 01.05	74	1598	4	X 16 XEL	CL200	163	PIN-4
1.8		02.03 - 07.04	81	1796	4	Z 18 XEL	CL203	165	rail
Astra F Classic CC	1.4 i	01.98 - 08.02	44	1389	4	X 14 NZ	CL206	166	PIN-1
	1.4 i	03.98 - 08.00	66	1389	4	X 14 XE	CL200	163	PIN-4
	1.6 i	01.98 - 08.02	55	1598	4	X 16 SZR	CL200	163	PIN-4
	1.6 i 16V	01.98 - 08.02	74	1598	4	X 16 XEL	CL200	163	PIN-4
	1.8 i	03.98 - 08.00	85	1796	4	X 18 XE1	CL203	165	rail
	2.0 i	03.98 - 08.00	100	1998	4	X 20 XEV	CL207	167	PIN-4
	2.0 i	10.99 - 08.00	118	1998	4	X 20 XER	CL207	167	PIN-4
Astra F Classic Sedan	1.4 i	01.98 - 08.02	44	1389	4	X 14 NZ	CL206	166	PIN-1
	1.6 i	01.98 - 08.02	55	1598	4	X 16 SZR	CL200	163	PIN-4
	1.6 i 16V	01.98 - 08.02	74	1598	4	X 16 XEL	CL200	163	PIN-4
Astra F Van (55_)	1.4 i	10.91 - 01.99	44	1389	4	C 14 NZ	CL206	166	PIN-1
	1.6 i	10.91 - 04.93	55	1598	4	C 16 NZ	CL200	163	PIN-4
							CL205	165	SAE-1
Astra G Cabriolet	1.6 i	02.93 - 07.96	52	1598	4	X 16 SZ	CL200	163	PIN-4
	1.6	01.03 - 10.05	76	1598	4	Z 16 XEP	CL221	171	rail
	1.6 16V	03.01 - 10.05	74	1598	4	Z 16 XE	CL202	164	rail
	1.8 16V	03.01 - 10.05	92	1796	4	Z 18 XE	CL203	165	rail
	2.0 16V Turbo	11.02 - 10.05	147	1998	4	Z 20 LET/Z 20 LER	CL218	170	rail
	2.0 OPC	03.02 - 10.05	141	1998	4	Z 20 LET	CL218	170	rail
	2.2 16V	03.01 - 10.05	108	2198	4	Z 22 SE	CL224	172	rail
Astra G Caravan (F35_)	1.2 16V	02.98 - 09.00	48	1199	4	X 12 XE	CL214	169	rail

CAR	MODEL	YEAR	kW	ccm	CYL	MOTOR	COILTYPE	PAGE	INFO	
OPEL										
Astra G Caravan (F35_)	1.2 16V	09.00 - 07.04	55	1199	4	Z 12 XE	CL214	169	rail	
	1.4	09.07 - 12.09	66	1364	4	Z 14 XEP	CL215	169	rail	
	1.4 16V	06.98 - 07.04	66	1389	4	X 14 XE/Z 14 XE	CL202	164	rail	
	1.6	02.98 - 09.00	55	1598	4	X 16 SZR	CL200	163	PIN-4	
							CL206	166	PIN-1	
	1.6	09.00 - 07.04	62	1598	4	Z 16 SE	CL212	169	PIN-4	
	1.6	12.02 - 07.09	76	1598	4	Z 16 XEP	CL221	171	rail	
	1.6 16V	02.98 - 07.04	74	1598	4	Z 16 XE/X 16 XEL	CL202	164	rail	
	1.6 CNG	03.03 - 07.04	71	1598	4	Z 16 YNG	CL202	164	rail	
	1.8 16V	02.98 - 09.00	85	1796	4	X 18 XE1	CL203	165	rail	
	1.8 16V	09.00 - 07.04	92	1796	4	Z 18 XE	CL203	165	rail	
	2.0 16V	02.98 - 07.04	100	1998	4	X 20 XEV	CL207	167	PIN-4	
	2.0 OPC	09.02 - 07.04	141	1998	4	Z 20 LET	CL218	170	rail	
	2.0 OPC	11.02 - 07.04	147	1998	4	Z 20 LET/Z 20 LER	CL218	170	rail	
	2.2 16V	03.01 - 07.04	108	2198	4	Z 22 SE	CL224	172	rail	
	Astra G CC (F48_, F08_)	1.2 16V	02.98 - 09.00	48	1199	4	X 12 XE	CL214	169	rail
		1.2 16V	09.00 - 01.05	55	1199	4	Z 12 XE	CL214	169	rail
1.4		09.07 - 12.09	66	1364	4	Z 14 XEP	CL215	169	rail	
1.4 16V		02.98 - 01.05	66	1389	4	X 14 XE/Z 14 XE	CL202	164	rail	
1.6		02.98 - 09.00	55	1598	4	X 16 SZR	CL200	163	PIN-4	
							CL206	166	PIN-1	
1.6		09.00 - 01.05	62	1598	4	Z 16 SE	CL212	169	PIN-4	
1.6		12.02 - 01.05	76	1598	4	Z 16 XEP	CL221	171	rail	
1.6 16V		02.98 - 01.05	74	1598	4	Z 16 XE/X 16 XEL	CL202	164	rail	
1.8 16V		02.98 - 09.00	85	1796	4	X 18 XE1	CL203	165	rail	
1.8 16V		09.00 - 01.05	92	1796	4	Z 18 XE	CL203	165	rail	
2.0 16V		02.98 - 01.05	100	1998	4	X 20 XEV	CL207	167	PIN-4	
2.0 16V OPC		11.99 - 09.02	118	1998	4	X 20 XER	CL207	167	PIN-4	
2.0 OPC		09.02 - 01.05	141	1998	4	Z 20 LET	CL218	170	rail	
2.0 OPC		11.02 - 01.05	147	1998	4	Z 20 LET/Z 20 LER	CL218	170	rail	
2.2 16V		03.01 - 01.05	108	2198	4	Z 22 SE	CL224	172	rail	
Astra G Coupe (F07_)		1.6 16V	03.00 - 05.05	76	1598	4	Z 16 XEP	CL221	171	rail
	1.8 16V	03.00 - 10.00	85	1796	4	X 18 XE1	CL203	165	rail	
	1.8 16V	09.00 - 05.05	92	1796	4	Z 18 XE	CL203	165	rail	
	2.0 16V Turbo	09.00 - 08.01	140	1998	4	Z 20 LET	CL218	170	rail	
	2.0 16V Turbo	08.01 - 05.05	141	1998	4	Z 20 LET	CL218	170	rail	
	2.0 16V Turbo	11.02 - 05.05	147	1998	4	Z 20 LET/Z 20 LER	CL218	170	rail	
	2.2 16V	09.00 - 05.05	108	2198	4	Z 22 SE	CL224	172	rail	
Astra G Sedan (F69_)	1.2 16V	09.98 - 09.00	48	1199	4	X 12 XE	CL214	169	rail	
	1.2 16V	09.00 - 01.05	55	1199	4	Z 12 XE	CL214	169	rail	
	1.4	09.07 - 12.09	66	1364	4	Z 14 XEP	CL215	169	rail	
	1.4 16V	09.98 - 01.05	66	1389	4	X 14 XE/Z 14 XE	CL202	164	rail	
	1.6	09.98 - 09.00	55	1598	4	X 16 SZR	CL200	163	PIN-4	
							CL206	166	PIN-1	
	1.6	09.00 - 01.05	62	1598	4	Z 16 SE	CL212	169	PIN-4	
	1.6	12.02 - 01.05	76	1598	4	Z 16 XEP	CL221	171	rail	
	1.6 16V	09.98 - 01.05	74	1598	4	Z 16 XE/X 16 XEL	CL202	164	rail	
	1.8 16V	09.98 - 09.00	85	1796	4	X 18 XE1	CL203	165	rail	
	1.8 16V	09.00 - 01.05	92	1796	4	Z 18 XE	CL203	165	rail	
	2.0 16V	09.98 - 01.05	100	1998	4	X 20 XEV	CL207	167	PIN-4	
	2.2 16V	03.01 - 01.05	108	2198	4	Z 22 SE	CL224	172	rail	
Astra G Van (F70)	1.6	01.99 - 09.00	55	1598	4	X 16 SZR	CL200	163	PIN-4	
							CL206	166	PIN-1	
1.6	09.00 - 04.05	62	1598	4	Z 16 SE	CL212	169	PIN-4		
Astra H	1.2	10.06 -	48	1199	4	X 12 XE	CL215	169	rail	
	1.2	08.05 -	59	1229	4	Z 12 XEP	CL215	169	rail	
	1.4	03.04 -	66	1364	4	Z 14 XEP	CL215	169	rail	
	1.6	03.04 -	77	1598	4	Z 16 XEP	CL221	171	rail	
	1.6	12.06 -	85	1598	4	A 16 XER/Z 16 XER	CL221	171	rail	
	1.6 Turbo	02.07 -	132	1598	4	Z 16 LET	CL221	171	rail	

CAR	MODEL	YEAR	kW	ccm	CYL	MOTOR	COILTYPE	PAGE	INFO	
OPEL										
Astra H	1.8	03.04 -	92	1796	4	Z 18 XE	CL203	165	rail	
	1.8	01.06 -	103	1796	4	Z 18 XER/A 18 XER	CL221	171	rail	
	2.0 Turbo	03.04 -	125	1998	4	Z 20 LEL	CL218	170	rail	
	2.0 Turbo	09.04 -	147	1998	4	Z 20 LER	CL218	170	rail	
	2.0 Turbo	03.05 -	177	1998	4	Z 20 LEH	CL218	170	rail	
Astra H Caravan	1.4	08.04 -	55	1364	4	Z 14 XEL	CL215	169	rail	
	1.4	08.04 -	66	1364	4	Z 14 XEP	CL215	169	rail	
	1.4 LPG	08.09 -	66	1364	4	Z 14 XEP	CL215	169	rail	
	1.6	08.04 -	77	1598	4	Z 16 XEP	CL221	171	rail	
	1.6	12.06 -	85	1598	4	A 16 XER/Z 16 XER	CL221	171	rail	
	1.6 Turbo	02.07 -	132	1598	4	Z 16 LET	CL221	171	rail	
	1.8	08.04 -	92	1796	4	Z 18 XE	CL203	165	rail	
	1.8	08.05 -	103	1796	4	Z 18 XER/A 18 XER	CL221	171	rail	
	2.0 Turbo	08.04 -	125	1998	4	Z 20 LEL	CL218	170	rail	
Astra H GTC	1.2	10.06 -	48	1199	4	X 12 XE	CL215	169	rail	
	1.2	08.05 -	59	1229	4	Z 12 XEP	CL215	169	rail	
	1.4	03.05 -	66	1364	4	Z 14 XEP	CL215	169	rail	
	1.6	03.05 -	77	1598	4	Z 16 XEP	CL221	171	rail	
	1.6	12.06 -	85	1598	4	Z 16 XER	CL221	171	rail	
	1.6 Turbo	02.07 -	132	1598	4	Z 16 LET	CL221	171	rail	
	1.8	03.05 -	92	1796	4	Z 18 XE	CL203	165	rail	
	1.8	01.06 -	103	1796	4	Z 18 XER	CL221	171	rail	
	2.0 Turbo	03.05 -	125	1998	4	Z 20 LEL	CL218	170	rail	
	2.0 Turbo	03.05 -	147	1998	4	Z 20 LER	CL218	170	rail	
	2.0 Turbo	08.05 -	177	1998	4	Z 20 LEH	CL218	170	rail	
	Astra H TwinTop	1.6	09.05 -	77	1598	4	Z 16 XE1/Z 16 XEP	CL221	171	rail
		1.6	12.06 -	85	1598	4	Z 16 XER	CL221	171	rail
1.6 Turbo		02.07 -	132	1598	4	Z 16 LET	CL221	171	rail	
1.8		09.05 -	92	1796	4	Z 18 XE	CL203	165	rail	
1.8		09.05 -	103	1796	4	Z 18 XER/A 18 XER	CL221	171	rail	
2.0 Turbo		09.05 -	125	1998	4	Z 20 LEL	CL218	170	rail	
2.0 Turbo		09.05 -	147	1998	4	Z 20 LER	CL218	170	rail	
Calibra A (85_)		2.0 i	06.90 - 07.97	85	1998	4	C 20 NE	CL208	167	PIN-1
	2.0 i 4x4	06.90 - 07.97	85	1998	4	C 20 NE	CL208	167	PIN-1	
	2.0 i 16V	06.90 - 02.94	110	1998	4	C 20 XE	CL219	170	PIN-4	
	2.0 i 16V	02.94 - 07.97	100	1998	4	X 20 XEV	CL207	167	PIN-4	
	2.0 i 16V 4x4	06.90 - 02.94	110	1998	4	C 20 XE	CL219	170	PIN-4	
	2.0 i 16V 4x4	02.94 - 07.97	100	1998	4	X 20 XEV	CL207	167	PIN-4	
	2.0 i Turbo 4x4	03.92 - 07.97	150	1998	4	C 20 LET	CL207	167	PIN-4	
	2.5 i V6	04.93 - 07.97	125	2498	6	X 25 XE/C 25 XE	CL210	168	PIN-6	
Combo (71_)	1.2	07.94 - 10.01	33	1195	4	C 12 NZ/X 12 SZ	CL206	166	PIN-1	
	1.4	07.94 - 10.01	44	1389	4	C 14 NZ/X 14 SZ	CL206	166	PIN-1	
	1.4	07.94 - 10.01	60	1389	4	C 14 SE	CL200	163	PIN-4	
Combo Tour	1.4	10.04 -	66	1364	4	Z 14 XEP	CL215	169	rail	
	1.6	10.01 -	64	1598	4	Z 16 SE	CL212	169	PIN-4	
	1.6 CNG	04.05 -	71	1598	4	Z 16 YNG	CL202	164	rail	
	1.6 CNG	06.06 -	69	1598	4	Z 16 YNG	CL202	164	rail	
Combo Van/Combi	1.4 16V	08.05 -	66	1364	4	Z 14 XEP	CL215	169	rail	
	1.6	10.01 -	64	1598	4	Z 16 SE	CL212	169	PIN-4	
	1.6 CNG 16V	04.05 -	71	1598	4	Z 16 YNG	CL202	164	rail	
	1.6 CNG 16V	06.06 -	69	1598	4	Z 16 YNG	CL202	164	rail	
Corsa A CC (93_, 94_, 98_, 99_)	1.0	09.82 - 03.93	33	993	4	10 S	CL228	173	DIN-1	
	1.2	09.82 - 08.90	33	1196	4	E 12 GV/12 NC	CL206	166	PIN-1	
	1.2	09.82 - 08.90	33	1196	4	12 NC	CL228	173	DIN-1	
	1.2 i	09.89 - 03.93	33	1195	4	C 12 NZ	CL206	166	PIN-1	
	1.2 N	01.90 - 03.93	38	1196	4	12 NV	CL205	165	SAE-1	
	1.2 S	09.82 - 02.90	40	1196	4	12 ST	CL205	165	SAE-1	
	1.3 S	09.82 - 10.89	51	1297	4	13 SB	CL205	165	SAE-1	
	1.4 i	01.90 - 03.93	44	1389	4	C 14 NZ	CL206	166	PIN-1	

CAR	MODEL	YEAR	kW	ccm	CYL	MOTOR	COILTYPE	PAGE	INFO
OPEL									
Corsa A CC (93_, 94_, 98_, 99_)	1.4 S	01.90 - 03.93	53	1389	4	14 NV	CL206	166	PIN-1
	1.4 Si	09.91 - 03.93	60	1389	4	C 14 SE	CL200	163	PIN-4
							CL206	166	PIN-1
	1.6 GSI	05.88 - 03.92	74	1598	4	E 16 SE	CL200	163	PIN-4
							CL206	166	PIN-1
	1.6 GSI	09.89 - 03.93	72	1598	4	C 16 SEI	CL206	166	PIN-1
1.6 GSI cat	02.92 - 03.93	74	1598	4	C 16 SE	CL200	163	PIN-4	
						CL206	166	PIN-1	
Corsa A TR (91_, 92_, 96_, 97_)	1.0	09.82 - 09.92	33	993	4	10 S	CL228	173	DIN-1
	1.2 i	09.89 - 03.93	33	1195	4	C 12 NZ	CL206	166	PIN-1
	1.2 N	01.85 - 10.87	33	1196	4	E 12 GV/12 NC	CL228	173	DIN-1
	1.2 S	09.82 - 10.87	43	1196	4	12 S	CL205	165	SAE-1
	1.2 S	09.82 - 03.93	40	1196	4	12 ST	CL205	165	SAE-1
							CL206	166	PIN-1
	1.3 S	09.82 - 10.87	51	1297	4	13 SB	CL205	165	SAE-1
1.4 i	10.89 - 03.93	44	1389	4	C 14 NZ	CL206	166	PIN-1	
Corsa A Van	1.0	02.86 - 04.89	33	993	4	10 S	CL228	173	DIN-1
	1.2	02.86 - 04.89	33	1196	4	E 12 GV/12 NC	CL228	173	DIN-1
							CL205	165	SAE-1
	1.2	02.86 - 04.89	40	1196	4	12 ST	CL206	166	PIN-1
							CL205	165	SAE-1
1.3	02.86 - 04.89	51	1297	4	13 SB	CL205	165	SAE-1	
Corsa B (73_, 78_, 79_)	1.0 i 12V	11.96 - 09.00	40	973	3	X 10 XE	CL213	169	rail
	1.2 i	03.93 - 09.00	33	1195	4	C 12 NZ/X 12 SZ	CL200	163	PIN-4
							CL206	166	PIN-1
	1.2 i 16V	03.98 - 09.00	48	1199	4	X 12 XE	CL214	169	rail
	1.4 i	03.93 - 09.00	44	1389	4	C 14 NZ/X 14 SZ	CL206	166	PIN-1
	1.4 i 16V	09.94 - 09.00	66	1389	4	X 14 XE	CL200	163	PIN-4
	1.4 i 16V	08.97 - 09.00	63	1389	4	C 14 SEL	CL200	163	PIN-4
	1.4 Si	03.93 - 09.00	60	1389	4	C 14 SE	CL200	163	PIN-4
	1.6 GSI 16V	03.93 - 09.00	80	1598	4	C 16 XE	CL200	163	PIN-4
	1.6 i 16V	09.94 - 09.00	78	1598	4	X 16 XE	CL200	163	PIN-4
	1.6 i 16V	08.97 - 09.00	74	1598	4	C 16 SEL	CL200	163	PIN-4
Corsa B Van (73_)	1.4 i	08.99 - 09.00	44	1389	4	X 14 SZ	CL200	163	PIN-4
Corsa C (F08, F68)	1.0	09.00 -	43	973	3	Z 10 XE	CL213	169	rail
	1.0	06.03 -	44	998	3	Z 10 XEP	CL217	170	rail
							CL215	169	rail
	1.2	09.00 -	55	1199	4	Z 12 XE	CL214	169	rail
							CL215	169	rail
	1.2 Twinport	07.04 -	59	1229	4	Z 12 XEP	CL215	169	rail
	1.4	09.00 -	66	1389	4	Z 14 XE	CL202	164	rail
	1.4 Twinport	06.03 -	66	1364	4	Z 14 XEP	CL215	169	rail
	1.8	09.00 -	92	1796	4	Z 18 XE	CL203	165	rail
	Corsa C Van (F08, W5L)	1.2	07.05 -	59	1229	4	Z 12 XEP	CL215	169
1.2 16V		09.00 -	55	1199	4	Z 12 XE	CL214	169	rail
							CL215	169	rail
1.4	08.03 -	66	1364	4	Z 14 XEP	CL215	169	rail	
Corsa D	1.0	07.06 -	44	998	3	Z 10 XEP	CL217	170	rail
	1.0	01.10 -	48	998	3	A 10 XEP	CL217	170	rail
	1.2	07.06 -	59	1229	4	Z 12 XEP	CL215	169	rail
							CL215	169	rail
	1.2	06.10 -	51	1229	4	A 12 XEL	CL215	169	rail
							CL215	169	rail
	1.2	06.10 -	63	1229	4	A 12 XER	CL215	169	rail
							CL215	169	rail
	1.2 LPG	09.09 -	59	1229	4	Z 12 XEP	CL215	169	rail
	1.4	07.06 -	66	1364	4	Z 14 XEP	CL215	169	rail
	1.4	09.09 -	64	1398	4	A 14 XEL	CL215	169	rail
	1.4	06.10 -	74	1398	4	A 14 XER	CL215	169	rail
	1.4 LPG	07.06 -	66	1364	4	Z 14 XEP	CL215	169	rail
1.6 Turbo	02.07 -	110	1598	4	Z 16 LEL/A 16 LEL	CL221	171	rail	
1.6 Turbo	02.07 -	141	1598	4	A 16 LER/Z 16 LER	CL221	171	rail	
Corsa D Van	1.0	01.10 -	48	998	3	A 10 XEP	CL217	170	rail
	1.2	07.09 -	59	1229	4	Z 12 XEP	CL215	169	rail

CAR	MODEL	YEAR	kW	ccm	CYL	MOTOR	COILTYPE	PAGE	INFO
OPEL									
Corsa D Van	1.2	06.10 -	51	1229	4	A 12 XEL	CL215	169	rail
Frontera A (5_MWL4)	2.2 i	03.95 - 10.98	100	2198	4	X 22 XE	CL219	170	PIN-4
	2.4 i	03.92 - 10.98	92	2410	4	C 24 NE	CL208	167	PIN-1
Frontera A Sport (5_SUD2)	2.0 i	03.92 - 10.98	85	1998	4	C 20 NE/X 20 SE	CL208	167	PIN-1
Frontera B (6B_)	2.2 i	10.98 -	100	2198	4	X 22 SE/Y 22 SE	CL201	164	PIN-4
Insignia	1.6 Turbo	07.08 -	132	1598	4	A 16 LET	CL221	171	rail
Insignia Sedan	1.6 Turbo	01.09 -	132	1598	4	A 16 LET	CL221	171	rail
Insignia Sports Tourer	1.6 Turbo	01.09 -	132	1598	4	A 16 LET	CL221	171	rail
Kadett C	1.2	08.73 - 04.77	38	1196	4	12 N	CL228	173	DIN-1
	1.2	08.73 - 07.79	40	1196	4	12 N	CL228	173	DIN-1
	1.6 S	05.77 - 07.79	55	1584	4	16 S	CL228	173	DIN-1
Kadett C Caravan	1.2	08.73 - 04.77	38	1196	4	12 N	CL228	173	DIN-1
	1.2	08.73 - 07.79	40	1196	4	12 N	CL228	173	DIN-1
	1.6 S	05.77 - 07.79	55	1584	4	16 S	CL228	173	DIN-1
Kadett C City	1.2	05.75 - 04.77	38	1196	4	12 N	CL228	173	DIN-1
	1.2	07.76 - 07.79	40	1196	4	12 N	CL228	173	DIN-1
	1.6 S	05.77 - 07.79	55	1584	4	16 S	CL228	173	DIN-1
Kadett C Coupe	1.6 S	05.77 - 07.79	55	1584	4	16 S	CL228	173	DIN-1
	1.9 GT/E	09.75 - 07.77	77	1897	4	19 E	CL228	173	DIN-1
	2.0 E Rallye	08.77 - 07.79	81	1979	4	20 E	CL228	173	DIN-1
	2.0 GT/E	08.77 - 07.79	85	1979	4	20 EH	CL228	173	DIN-1
Kadett D (31_-34_, 41_-44_)	1.2	08.79 - 07.82	39	1196	4	12 N	CL228	173	DIN-1
	1.2	08.82 - 08.84	40	1196	4	12 ST	CL228	173	DIN-1
	1.3 N	08.79 - 08.84	44	1297	4	13 N	CL205	165	SAE-1
	1.3 S	08.79 - 08.84	55	1297	4	13 S	CL205	165	SAE-1
Kadett D Caravan	1.2	08.79 - 07.82	39	1196	4	12 N	CL228	173	DIN-1
	1.3 N	08.79 - 08.84	44	1297	4	13 N	CL205	165	SAE-1
	1.3 S	08.79 - 08.84	55	1297	4	13 S	CL205	165	SAE-1
Kadett E (39_, 49_)	1.2	09.84 - 07.86	40	1196	4	12 SC	CL228	173	DIN-1
	1.3 i cat	09.85 - 08.91	44	1297	4	C 13 N	CL205	165	SAE-1
	1.3 S	09.84 - 08.87	55	1297	4	13 S	CL205	165	SAE-1
	1.4 i	01.90 - 08.91	44	1389	4	C 14 NZ	CL206	166	PIN-1
	1.4 S	01.90 - 08.91	55	1389	4	14 NV	CL206	166	PIN-1
	1.6 i	09.86 - 08.91	55	1598	4	E 16 NZ	CL205	165	SAE-1
	1.6 i cat	09.86 - 08.91	55	1598	4	C 16 NZ/C 16 LZ	CL205	165	SAE-1
	1.6 S	09.84 - 08.86	66	1598	4	16 SH	CL206	166	PIN-1
	1.8	09.87 - 08.90	84	1796	4	18 E	CL208	167	PIN-1
	1.8 i	09.90 - 08.91	66	1796	4	C 18 NZ/C 18 NT	CL206	166	PIN-1
	1.8 S	09.87 - 08.91	62	1798	4	E 18 NV	CL208	167	PIN-1
	2.0 i	03.87 - 08.91	85	1998	4	20 NE	CL208	167	PIN-1
	2.0 i cat	03.87 - 08.91	85	1998	4	C 20 NE	CL208	167	PIN-1
	Kadett E Cabriolet (43B_)	1.3 S	03.87 - 02.93	55	1297	4	13 S	CL205	165
1.4 i		01.90 - 08.91	44	1389	4	C 14 NZ	CL206	166	PIN-1
1.6 i		07.89 - 02.93	60	1598	4	16 SV	CL206	166	PIN-1
2.0 i		10.86 - 02.93	85	1998	4	20 NE	CL208	167	PIN-1
2.0 i cat		10.86 - 02.93	85	1998	4	C 20 NE	CL208	167	PIN-1
Kadett E Caravan	1.2	09.84 - 07.86	40	1196	4	12 SC	CL228	173	DIN-1
	1.6	09.86 - 08.91	60	1598	4	16 SV	CL206	166	PIN-1
	1.4 i	01.90 - 08.91	44	1389	4	C 14 NZ	CL206	166	PIN-1
	1.4 S	01.90 - 08.91	55	1389	4	14 NV	CL206	166	PIN-1
	1.6 i cat	09.86 - 08.91	55	1598	4	C 16 NZ/C 16 LZ	CL206	166	PIN-1
	1.8 i	06.85 - 08.91	66	1796	4	C 18 NZ/C 18 NT	CL206	166	PIN-1
	1.8 S	09.87 - 08.91	62	1796	4	E 18 NV	CL208	167	PIN-1
2.0 i	09.87 - 08.91	85	1998	4	20 NE	CL208	167	PIN-1	
Kadett E CC	1.2	09.84 - 07.86	40	1196	4	12 SC	CL228	173	DIN-1
	1.3 N	09.84 - 08.91	44	1297	4	13 NB/13 N	CL205	165	SAE-1
	1.3 S	09.84 - 08.87	55	1297	4	13 S	CL205	165	SAE-1
	1.4 i	01.90 - 08.91	44	1389	4	C 14 NZ	CL206	166	PIN-1
	1.4 S	01.90 - 08.91	55	1389	4	14 NV	CL206	166	PIN-1
1.6 i	09.86 - 08.91	55	1598	4	E 16 NZ	CL205	165	SAE-1	

CAR	MODEL	YEAR	kW	ccm	CYL	MOTOR	COILTYPE	PAGE	INFO
OPEL									
Kadett E CC	1.6 i cat	09.86 - 08.91	55	1598	4	C 16 NZ/C 16 LZ	CL205	165	SAE-1
	1.6 S	09.86 - 08.91	60	1598	4	16 SV	CL206	166	PIN-1
	1.8 i	06.85 - 08.91	66	1796	4	C 18 NZ/S 18 NV/C 18 NT	CL206	166	PIN-1
	1.8 S	09.87 - 08.91	62	1796	4	E 18 NV/S 18 NV	CL208	167	PIN-1
	2.0 GSI	09.86 - 08.91	85	1998	4	20 NE	CL208	167	PIN-1
	2.0 GSI	09.86 - 08.91	95	1998	4	20 SEH	CL208	167	PIN-1
	2.0 GSI cat	09.86 - 08.91	85	1998	4	C 20 NE	CL208	167	PIN-1
Kadett E Combo (38_, 48_)	1.3 N	01.86 - 12.89	44	1297	4	13 N	CL205	165	SAE-1
	1.3 S	01.86 - 12.89	55	1297	4	13 S	CL205	165	SAE-1
	1.4 i	08.91 - 07.94	44	1389	4	C 14 NZ	CL206	166	PIN-1
	1.4 S	07.89 - 08.91	55	1389	4	14 NV	CL206	166	PIN-1
	1.6	09.86 - 12.91	60	1598	4	16 SV	CL206	166	PIN-1
Kadett E Van (37_, 47_)	1.2	09.84 - 07.86	40	1196	4	12 SC	CL228	173	DIN-1
	1.4 i	01.90 - 08.91	44	1389	4	C 14 NZ	CL206	166	PIN-1
Manta A (58_, 59_)	1.6	02.75 - 08.75	44	1584	4	16 N	CL228	173	DIN-1
	1.6	09.70 - 08.75	50	1584	4	16 N	CL228	173	DIN-1
	1.6	02.75 - 08.75	55	1584	4	16 S	CL228	173	DIN-1
	1.9 GT/E	02.74 - 08.75	77	1897	4	19 E	CL228	173	DIN-1
	1.9 S	09.70 - 08.75	66	1897	4	19 S	CL228	173	DIN-1
Manta B (58_, 59_)	1.3 S	08.81 - 08.86	55	1297	4	13 S	CL205	165	SAE-1
	1.6 N	09.75 - 12.80	44	1584	4	16 N	CL228	173	DIN-1
	1.6 S	09.75 - 12.81	55	1584	4	16 S	CL228	173	DIN-1
	1.9 E	09.75 - 08.77	77	1897	4	19 E	CL228	173	DIN-1
	1.9 S	09.75 - 12.80	66	1897	4	19 S	CL228	173	DIN-1
	2.0 E	08.77 - 08.88	81	1979	4	20 E	CL228	173	DIN-1
	2.0 S	08.77 - 08.84	74	1979	4	20 S	CL228	173	DIN-1
Manta B CC (53_, 55_)	1.3 S	08.79 - 08.86	55	1297	4	13 S	CL205	165	SAE-1
	1.6 N	09.75 - 12.80	44	1584	4	16 N	CL228	173	DIN-1
	2.0 E	08.77 - 08.88	81	1979	4	20 E	CL228	173	DIN-1
	2.0 S	08.77 - 08.84	74	1979	4	20 S	CL228	173	DIN-1
Meriva	1.4 16V Twinport	07.04 - 05.10	66	1364	4	Z 14 XEP	CL215	169	rail
	1.4 16V Twinport LPG	07.04 - 05.10	66	1364	4	Z 14 XEP	CL215	169	rail
	1.6	05.03 - 05.10	64	1598	4	Z 16 SE	CL212	169	PIN-4
	1.6	01.06 - 05.10	77	1598	4	Z 16 XEP	CL221	171	rail
	1.6 16V	05.03 - 05.10	74	1598	4	Z 16 XE	CL202	164	rail
	1.6 Turbo	09.05 - 05.10	132	1598	4	Z 16 LET	CL221	171	rail
	1.8	05.03 - 05.10	92	1796	4	Z 18 XE	CL203	165	rail
Monza A (22_)	2.2 E	11.84 - 08.86	85	2197	4	22 E	CL205	165	SAE-1
Omega A (16_, 17_, 19_)	1.8	09.86 - 03.94	85	1796	4	18 SEH	CL206	166	PIN-1
	1.8	09.87 - 03.94	65	1796	4	E 18 NVR	CL208	167	PIN-1
	1.8 N	09.86 - 08.87	60	1796	4	18 NV	CL208	167	PIN-1
	1.8 S	09.86 - 03.94	66	1796	4	18 SV	CL206	166	PIN-1
	2.0	09.90 - 03.94	73	1998	4	C 20 NEJ	CL208	167	PIN-1
	2.0	09.90 - 03.94	74	1998	4	C 20 NEF	CL208	167	PIN-1
	2.0	09.86 - 03.94	90	1998	4	20 SE	CL208	167	PIN-1
	2.0 i	09.86 - 03.94	85	1998	4	C 20 NE	CL208	167	PIN-1
	2.4 i	09.88 - 03.94	92	2410	4	C 24 NE	CL208	167	PIN-1
	3.0	03.87 - 12.87	115	2969	6	C 30 LE	CL208	167	PIN-1
	3.0	03.87 - 09.90	130	2969	6	30 NE	CL208	167	PIN-1
	3.0 24V	09.89 - 03.94	147	2969	6	C 30 SEJ	CL208	167	PIN-1
	3.0 24V	09.89 - 03.94	150	2969	6	C 30 SE	CL208	167	PIN-1
	3.0 24V Evo	03.91 - 07.92	169	2969	6	C 30 XEI	CL208	167	PIN-1
3.0 cat	03.88 - 03.94	130	2969	6	C 30 NE	CL208	167	PIN-1	
Omega A Caravan (66_, 67_)	1.8	09.86 - 03.94	85	1796	4	18 SEH	CL206	166	PIN-1
	1.8	09.87 - 03.94	65	1796	4	E 18 NVR	CL208	167	PIN-1
	1.8 N	09.86 - 08.87	60	1796	4	18 NV	CL208	167	PIN-1
	1.8 S	09.86 - 03.94	66	1796	4	18 SV	CL206	166	PIN-1
	2.0	09.90 - 03.94	74	1998	4	C 20 NEF	CL208	167	PIN-1
	2.0	09.86 - 03.94	90	1998	4	20 SE	CL208	167	PIN-1
	2.0 i	09.90 - 03.94	73	1998	4	C 20 NEJ	CL208	167	PIN-1

CAR	MODEL	YEAR	kW	ccm	CYL	MOTOR	COILTYPE	PAGE	INFO
OPEL									
Omega A Caravan (66_, 67_)	2.0 i	09.86 - 03.94	85	1998	4	C 20 NE	CL208	167	PIN-1
	2.4 i	09.88 - 03.94	92	2410	4	C 24 NE	CL208	167	PIN-1
	3.0	03.87 - 03.94	115	2969	6	C 30 LE	CL208	167	PIN-1
	3.0 cat	03.87 - 03.94	130	2969	6	C 30 NE	CL208	167	PIN-1
	3.0 24V	09.89 - 03.94	147	2969	6	C 30 SEJ	CL208	167	PIN-1
Omega B (25_, 26_, 27_)	2.0	03.94 - 12.00	85	1998	4	20 SE	CL219	170	PIN-4
	2.0	03.94 - 09.99	85	1998	4	X 20 SE	CL219	170	PIN-4
	2.0 16V	03.94 - 09.99	100	1998	4	X 20 XEV	CL207	167	PIN-4
	2.2 16V	09.99 - 07.03	106	2198	4	Y 22 XE/Z 22 XE	CL223	172	rail
	2.5 V6	03.94 - 09.00	125	2498	6	X 25 XE	CL209	168	PIN-6
							CL210	168	PIN-6
							CL222	172	PIN-6
	2.6 V6	09.00 - 07.03	132	2597	6	Y 26 SE	CL229	173	rail
							CL230	174	rail
	3.0 V6	04.94 - 02.01	155	2962	6	X 30 XE	CL209	168	PIN-6
							CL210	168	PIN-6
							CL222	172	PIN-6
3.2 V6	02.01 - 07.03	160	3175	6	Y 32 SE	CL229	173	rail	
						CL230	174	rail	
Omega B Caravan (21_, 22_, 23_)	2.0	03.94 - 09.99	85	1998	4	X 20 SE	CL219	170	PIN-4
	2.0 16V	03.94 - 09.99	100	1998	4	X 20 XEV	CL207	167	PIN-4
	2.2 16V	09.99 - 07.03	106	2198	4	Y 22 XE/Z 22 XE	CL223	172	rail
	2.5 V6	03.94 - 09.00	125	2498	6	X 25 XE	CL209	168	PIN-6
							CL210	168	PIN-6
							CL222	172	PIN-6
	2.6 V6	09.00 - 07.03	132	2597	6	Y 26 SE	CL229	173	rail
							CL230	174	rail
3.0 V6	04.94 - 02.01	155	2962	6	X 30 XE	CL209	168	PIN-6	
						CL210	168	PIN-6	
						CL222	172	PIN-6	
3.2 V6	02.01 - 07.03	160	3175	6	Y 32 SE	CL229	173	rail	
						CL230	174	rail	
Senator B (29_)	2.5 i	09.90 - 09.93	103	2490	6	25 NE	CL208	167	PIN-1
	2.6 i	09.90 - 09.93	110	2594	6	C 26 NE	CL208	167	PIN-1
	3.0	09.87 - 09.93	115	2969	6	C 30 LE	CL208	167	PIN-1
	3.0 24V	09.89 - 09.93	150	2969	6	C 30 SE	CL208	167	PIN-1
Signum	1.8	05.03 -	90	1796	4	Z 18 XE	CL203	165	rail
	1.8	09.05 -	103	1796	4	Z 18 XER	CL221	171	rail
	2.2 direct	05.03 -	114	2198	4	Z 22 YH	CL226	173	rail
	3.2 V6	05.03 -	155	3175	6	Z 32 SE	CL229	173	rail
	3.2 V6	05.03 -	155	3175	6	Z 32 SE	CL232	174	rail
Speedster	2.0 Turbo	04.03 -	147	1998	4	Z 20 LET	CL218	170	rail
	2.2	09.00 -	108	2198	4	Z 22 SE	CL224	172	rail
Tigra (95_)	1.4 16V	07.94 - 12.00	66	1389	4	X 14 XE	CL200	163	PIN-4
	1.4 16V	08.97 - 12.00	63	1389	4	X 14 XE	CL200	163	PIN-4
	1.6 16V	07.94 - 08.98	78	1598	4	X 16 XE	CL200	163	PIN-4
	1.6 16V	08.97 - 08.98	74	1598	4	C 16 SEL	CL200	163	PIN-4
Tigra TwinTop	1.4	06.04 -	66	1364	4	Z 14 XEP	CL215	169	rail
	1.8	06.04 -	92	1796	4	Z 18 XE	CL203	165	rail
Vectra A (86_, 87_)	1.6	09.88 - 12.90	60	1598	4	16 SV	CL205	165	SAE-1
	1.6	01.90 - 05.93	60	1598	4	16 SV	CL206	166	PIN-1
	1.6	08.92 - 07.93	51	1598	4	C 16 LZ2	CL206	166	PIN-1
	1.6 i	09.88 - 10.90	55	1598	4	E 16 NZ	CL205	165	SAE-1
	1.6 i	09.93 - 11.95	52	1598	4	X 16 SZ	CL200	163	PIN-4
	1.6 i	09.93 - 11.95	55	1598	4	16 LZ2	CL206	166	PIN-1
	1.6 i cat	09.88 - 11.95	55	1598	4	C 16 NZ2/C 16 NZ	CL205	165	SAE-1
	1.8 i cat	03.90 - 11.95	66	1796	4	C 18 NZ	CL206	166	PIN-1
	1.8 S	09.89 - 10.90	66	1796	4	18 SV	CL206	166	PIN-1
	1.8 S 4x4	01.89 - 07.89	65	1796	4	E 18 NVR	CL206	166	PIN-1
	2.0	09.88 - 09.89	74	1998	4	C 20 NEF	CL208	167	PIN-1

CAR	MODEL	YEAR	kW	ccm	CYL	MOTOR	COILTYPE	PAGE	INFO	
OPEL										
Vectra A (86_, 87_)	2.0 16V 4x4	01.89 - 10.90	110	1998	4	20 XEJ	CL208	167	PIN-1	
	2.0 GT 16V	01.89 - 06.94	110	1998	4	20 XEJ	CL208	167	PIN-1	
	2.0 GT 16V 4x4 cat	02.90 - 11.95	110	1998	4	C 20 XE	CL219	170	PIN-4	
	2.0 GT 16V cat	02.90 - 11.95	110	1998	4	C 20 XE	CL219	170	PIN-4	
	2.0 i	09.88 - 10.90	85	1998	4	20 NE	CL208	167	PIN-1	
	2.0 i	09.88 - 09.92	95	1998	4	20 SEH	CL208	167	PIN-1	
	2.0 i cat	09.88 - 11.95	85	1998	4	C 20 NE	CL208	167	PIN-1	
	2.0 i 16V	06.94 - 11.95	100	1998	4	X 20 XEV	CL207	167	PIN-4	
	2.0 i 16V 4x4	06.94 - 11.95	100	1998	4	X 20 XEV	CL207	167	PIN-4	
	2.0 i 4x4	01.89 - 10.90	85	1998	4	20 NE	CL208	167	PIN-1	
	2.0 i 4x4	01.89 - 09.92	95	1998	4	20 SEH	CL208	167	PIN-1	
	2.0 i 4x4 cat	01.89 - 11.95	85	1998	4	C 20 NE	CL208	167	PIN-1	
	2.0 i Turbo 4x4	06.94 - 11.95	150	1998	4	C 20 LET	CL208	167	PIN-1	
	2.5 V6	02.93 - 11.95	125	2498	6	C 25 XE	CL210	168	PIN-6	
Vectra A CC (88_, 89_)	1.6 i	09.93 - 11.95	52	1598	4	X 16 SZ	CL200	163	PIN-4	
	1.6 i	09.93 - 11.95	55	1598	4	16 LZ2	CL206	166	PIN-1	
	1.6 i cat	09.88 - 11.95	55	1598	4	C 16 NZ2/C 16 NZ	CL205	165	SAE-1	
	1.6 S	09.88 - 12.90	60	1598	4	16 SV	CL205	165	SAE-1	
	1.6 S	01.90 - 05.93	60	1598	4	16 SV	CL206	166	PIN-1	
	1.8 i	09.88 - 10.90	66	1796	4	18 SV	CL206	166	PIN-1	
	1.8 i cat	03.90 - 11.95	66	1796	4	C 18 NZ	CL206	166	PIN-1	
	1.8 S	09.88 - 07.89	65	1796	4	E 18 NVR	CL206	166	PIN-1	
	2.0	04.88 - 09.89	74	1998	4	C 20 NEF	CL208	167	PIN-1	
	2.0 i	09.88 - 10.90	85	1998	4	20 NE	CL208	167	PIN-1	
	2.0 i cat	09.88 - 11.95	85	1998	4	C 20 NE	CL208	167	PIN-1	
	2.0 i 16V	02.89 - 10.90	110	1998	4	20 XEJ	CL208	167	PIN-1	
	2.0 i 16V	06.94 - 11.95	100	1998	4	X 20 XEV	CL207	167	PIN-4	
	2.0 i 16V cat	02.90 - 11.95	110	1998	4	C 20 XE	CL219	170	PIN-4	
	2.0 i GT	09.88 - 11.95	95	1998	4	20 SEH	CL208	167	PIN-1	
	2.5 V6	02.93 - 11.95	125	2498	6	C 25 XE	CL210	168	PIN-6	
	Vectra B (36_)	1.6 i	10.95 - 04.02	55	1598	4	X 16 SZR	CL200	163	PIN-4
		1.6 i	10.95 - 04.02	55	1598	4	16 LZ2	CL206	166	PIN-1
1.6 i 16V		10.95 - 04.02	74	1598	4	Z 16 XE/X 16 XEL/Y 16 XE	CL200	163	PIN-4	
							CL202	164	rail	
1.8 i 16V		10.95 - 09.00	85	1796	4	X 18 XE1	CL203	165	rail	
							CL207	167	PIN-4	
1.8 i 16V		09.00 - 04.02	92	1796	4	Z 18 XE	CL203	165	rail	
2.0 i		10.95 - 04.02	82	1998	4	20 NEJ	CL219	170	PIN-4	
2.0 i 16V		10.95 - 09.00	100	1998	4	X 20 XEV/C 20 SEL	CL207	167	PIN-4	
2.2 i 16V		09.00 - 04.02	108	2198	4	Z 22 SE	CL224	172	rail	
2.5 i		05.98 - 09.00	143	2498	6	X 25 XE	CL209	168	PIN-6	
2.6 i V6		09.00 - 04.02	125	2597	6	Y 26 SE	CL229	173	rail	
						CL230	174	rail		
Vectra B Caravan (31_)	1.6 i	11.96 - 06.00	55	1598	4	X 16 SZR	CL200	163	PIN-4	
	1.6 i	11.96 - 06.00	55	1598	4	16 LZ2	CL206	166	PIN-1	
	1.6 i 16V	11.96 - 07.02	74	1598	4	Z 16 XE/X 16 XEL/Y 16 XE	CL200	163	PIN-4	
							CL202	164	rail	
	1.8 i 16V	11.96 - 09.00	85	1796	4	X 18 XE1	CL203	165	rail	
							CL207	167	PIN-4	
	1.8 i 16V	09.00 - 07.03	92	1796	4	Z 18 XE	CL203	165	rail	
	2.0 i	11.96 - 02.02	82	1998	4	20 NEJ	CL219	170	PIN-4	
	2.0 i 16V	11.96 - 09.00	100	1998	4	X 20 XEV/C 20 SEL	CL207	167	PIN-4	
	2.2 i 16V	09.00 - 07.03	108	2198	4	Z 22 SE	CL224	172	rail	
	2.5 i V6	11.96 - 09.00	125	2498	6	X 25 XE	CL209	168	PIN-6	
	2.6 i V6	09.00 - 07.03	125	2597	6	Y 26 SE	CL229	173	rail	
						CL230	174	rail		
Vectra B CC (38_)	1.6 i	10.95 - 07.03	55	1598	4	X 16 SZR	CL200	163	PIN-4	
	1.6 i	10.95 - 07.03	55	1598	4	16 LZ2	CL206	166	PIN-1	
	1.6 i 16V	10.95 - 07.02	74	1598	4	Z 16 XE/X 16 XEL/Y 16 XE	CL200	163	PIN-4	
						CL202	164	rail		

CAR	MODEL	YEAR	KW	CCM	CYL	MOTOR	COILTYPE	PAGE	INFO
OPEL									
Vectra B CC (38_)	1.8 i 16V	10.95 - 09.00	85	1796	4	X 18 XE1	CL203	165	rail
							CL207	167	PIN-4
	1.8 i 16V	09.00 - 07.03	92	1796	4	Z 18 XE	CL203	165	rail
	2.0 i	10.95 - 02.02	82	1998	4	20 NEJ	CL219	170	PIN-4
	2.0 i 16V	10.95 - 09.00	100	1998	4	X 20 XEV/C 20 SEL	CL207	167	PIN-4
	2.2 i 16V	09.00 - 07.03	108	2198	4	Z 22 SE	CL224	172	rail
	2.5 i V6	10.95 - 09.00	125	2498	6	X 25 XE	CL209	168	PIN-6
	2.6 i V6	09.00 - 07.03	125	2597	6	Y 26 SE	CL229	173	rail
						CL230	174	rail	
Vectra B i500 (36_)	2.5 i V6	10.95 - 09.00	125	2498	6	X 25 XE	CL209	168	PIN-6
Vectra B i500 Caravan (31_)	2.5 i	05.98 - 09.00	143	2498	6	X 25 XE	CL209	168	PIN-6
Vectra C	1.6	01.06 -	77	1598	4	Z 16 XEP	CL221	171	rail
	1.8	04.02 -	81	1796	4	Z 18 XEL	CL203	165	rail
	1.8	01.06 -	103	1796	4	Z 18 XER	CL221	171	rail
	1.6 16V	06.04 -	74	1598	4	Z 16 XE	CL202	164	rail
	1.8 16V	04.02 -	90	1796	4	Z 18 XE	CL203	165	rail
	2.2 16V	04.02 -	108	2198	4	Z 22 SE	CL224	172	rail
	2.2 direct	10.03 -	114	2198	4	Z 22 YH	CL226	173	rail
	3.2 V6	08.02 -	155	3175	6	Z 32 SE	CL229	173	rail
							CL232	174	rail
							CL221	171	rail
Vectra C Caravan	1.6	01.06 -	77	1598	4	Z 16 XEP	CL221	171	rail
	1.8	10.03 -	90	1796	4	Z 18 XE	CL203	165	rail
	1.8	01.06 -	103	1796	4	Z 18 XER	CL221	171	rail
	1.6 16V	06.04 -	74	1598	4	Z 16 XE	CL202	164	rail
	2.2 direct	10.03 -	114	2198	4	Z 22 YH	CL226	173	rail
	3.2 V6	10.03 -	155	3175	6	Z 32 SE	CL229	173	rail
							CL232	174	rail
Vectra C GTS	1.6	08.05 -	74	1598	4	Z 16 XE	CL202	164	rail
	1.6	01.06 -	77	1598	4	Z 16 XEP	CL221	171	rail
	1.8	01.06 -	103	1796	4	Z 18 XER	CL221	171	rail
	1.8 16V	08.02 -	90	1796	4	Z 18 XE	CL203	165	rail
	2.2 16V	08.02 -	108	2198	4	Z 22 SE	CL224	172	rail
	2.2 direct	10.03 -	114	2198	4	Z 22 YH	CL226	173	rail
	3.2 V6	08.02 -	155	3175	6	Z 32 SE	CL229	173	rail
							CL232	174	rail
Vivaro Combi (J7)	2.0 16V	08.01 -	88	1998	4	F4R 720	CL100	144	pencil
	2.0 Ecotec	08.06 -	86	1998	4	F4R 820	CL100	144	pencil
Vivaro Flatbed (E7)	2.0 16V	08.06 -	88	1998	4	F4R 720	CL100	144	pencil
	2.0 Ecotec	08.06 -	86	1998	4	F4R 820	CL100	144	pencil
Vivaro Van (F7)	2.0 16V	08.01 -	88	1998	4	F4R 720	CL100	144	pencil
	2.0 Ecotec	08.06 -	86	1998	4	F4R 820	CL100	144	pencil
Zafira (A05)	1.6	07.05 -	77	1598	4	Z 16 XE1/Z 16 XEP	CL221	171	rail
	1.6	01.06 -	69	1598	4	Z 16 YNG	CL202	164	rail
	1.6	01.08 -	85	1598	4	A 16 XER/Z 16 XER	CL221	171	rail
	1.6 CNG Turbo	02.09 -	110	1598	4	A 16 XNT/Z 16 XNT	CL221	171	rail
	1.8	07.05 -	103	1796	4	Z 18 XEP/Z 18 XER/A 18 XER	CL221	171	rail
	2.0	07.05 -	147	1998	4	Z 20 LER	CL218	170	rail
	2.0	01.06 -	177	1998	4	Z 20 LEH	CL218	170	rail
	2.2	07.05 -	110	2198	4	Z 22 YH	CL226	173	rail
Zafira (F75_)	1.6 16V	04.99 - 06.05	74	1598	4	Z 16 XE/X 16 XEL	CL202	164	rail
	1.6 CNG	09.01 - 06.05	71	1598	4	Z 16 YNG	CL202	164	rail
	1.8 16V	04.99 - 09.00	85	1796	4	X 18 XE1	CL203	165	rail
	1.8 16V	09.00 - 06.05	92	1796	4	Z 18 XE	CL203	165	rail
	2.0 OPC	09.01 - 06.05	141	1998	4	Z 20 LET	CL218	170	rail
	2.0 OPC	11.02 - 06.05	147	1998	4	Z 20 LET/Z 20 LER	CL218	170	rail
	2.2 16V	09.00 - 06.05	108	2198	4	Z 22 SE	CL224	172	rail
Zafira Van	1.8	07.05 -	103	1796	4	Z 18 XEP/Z 18 XER/A 18 XER	CL221	171	rail
PEUGEOT									
107	1.0	06.05 -	50	998	3	1KR (384 F)	CL555	201	pencil
508	1.6 THP	11.10 -	115	1598	4	EP6CDT	CL603	215	pencil

CAR	MODEL	YEAR	kW	ccm	CYL	MOTOR	COILTYPE	PAGE	INFO
PEUGEOT									
508	1.6VTi	11.10 -	88	1598	4	5F5 (EP6C)	CL603	215	pencil
3008	1.6VTi	06.09 -	88	1598	4	5F5 (EP6C)/EP6	CL603	215	pencil
5008	1.6 16V	09.09 -	88	1598	4	5F5 (EP6C)/EP6	CL603	215	pencil
1007 (KM_)	1.4	04.05 -	54	1360	4	KFV (TU3JP)	CL111	150	rail
							CL120	155	rail
	1.4 16V	10.05 -	65	1360	4	KFU (ET3J4)	CL151	162	rail
	1.6 16V	04.05 -	80	1587	4	NFU (TU5JP4)	CL104	146	rail
106 I (1A, 1C)	1.0	09.91 - 04.96	33	954	4	TU9/CDY (TU9M)	CL106	147	PIN-1
	1.0	09.91 - 04.96	37	954	4	CDZ (TU9M)	CL106	147	PIN-1
	1.1	09.91 - 04.96	44	1124	4	HDZ (TU1M)	CL109	149	SAE-1
	1.3	10.93 - 04.96	72	1294	4	TU2J2	CL106	147	PIN-1
	1.4	09.91 - 04.96	69	1361	4	KFZ (TU3J2/Z)	CL106	147	PIN-1
	1.4	08.91 - 03.96	51	1360	4	TU 3	CL109	149	SAE-1
	1.4	02.94 - 04.96	55	1361	4	KDX (TU3MC)/KDY (TU3M)	CL109	149	SAE-1
	1.4	03.94 - 04.96	55	1361	4	KDX (TU3MC)/KDY (TU3M)	CL106	147	PIN-1
	1.6	06.93 - 04.96	65	1587	4	NFZ (TU5JP)	CL106	147	PIN-1
	1.6	01.94 - 04.96	76	1587	4	NFY (TU5J2)	CL106	147	PIN-1
106 II (1)	1.0 i	05.96 -	33	954	4	CDY (TU9M)	CL107	147	PIN-1
	1.0 i	01.97 -	37	954	4	CDZ (TU9M)	CL107	147	PIN-1
	1.1 i	01.97 -	40	1124	4	HDY (TU1M)	CL107	147	PIN-1
							CL111	150	rail
	1.1 i	05.96 -	44	1124	4	HDZ (TU1M)/HFZ (TU1JP)	CL111	150	rail
	1.4 i	06.97 - 06.00	55	1360	4	KFX (TU3JP)/KFW (TU3JP)	CL110	149	rail
	1.4 i	06.00 -	55	1360	4	KFX (TU3JP)/KFW (TU3JP)	CL111	150	rail
	1.6 i	05.96 -	65	1587	4	NFZ (TU5JP)	CL106	147	PIN-1
	1.6 i	05.96 -	74	1587	4	NFW (TU5J2)/NFY (TU5J2)	CL106	147	PIN-1
	1.6 S16	05.96 -	87	1587	4	NFX (TU5J4)	CL127	157	rail
							CL141	161	rail
	205 I Cabriolet (741B, 20D)	1.1 CJ	10.89 - 12.94	44	1124	4	HDZ (TU1M)	CL108	149
1.4 CJ		03.89 - 12.94	49	1360	4	K1D (TU3A)	CL108	149	SAE-1
1.4 CJ		05.91 - 12.94	55	1361	4	KDZ (TU3M)/KDY (TU3M)	CL108	149	SAE-1
1.4 CJ cat		01.89 - 09.93	44	1361	4	KAY (TU3CP)	CL108	149	SAE-1
1.6 CJ		08.92 - 12.94	65	1580	4	BDY (XU5M3Z)	CL107	147	PIN-1
205 II (20A/C)	1.0	10.87 - 09.98	33	954	4	TU9	CL108	149	SAE-1
	1.1	10.87 - 10.90	40	1124	4	H1B (TU1)	CL108	149	SAE-1
	1.1	07.89 - 09.98	44	1124	4	HDZ (TU1M)	CL108	149	SAE-1
	1.4	10.87 - 10.90	49	1360	4	K1D (TU3A)	CL108	149	SAE-1
	1.4	06.87 - 12.89	62	1360	4	K2B (TU3S)	CL108	149	SAE-1
	1.4	07.88 - 09.98	55	1361	4	KFX (TU3JP)/KDZ (TU3M)/KDY (TU3M)	CL108	149	SAE-1
	1.4 cat	08.87 - 09.93	44	1360	4	KAY (TU3CP)	CL108	149	SAE-1
	1.6 Aut.	05.90 - 09.98	65	1580	4	BDY (XU5M2Z)/BDY (XU5M3Z)	CL107	147	PIN-1
	1.9 GTI	10.87 - 09.98	94	1905	4	D6B (XU9JA (G-KAT))	CL108	149	SAE-1
	206 CC (2A/C)	1.1 i	09.98 -	44	1124	4	HFZ (TU1JP)/HFZ (TU1JP)	CL111	150
1.4 16V		10.03 -	65	1360	4	KFU (ET3J4)	CL151	162	rail
1.4 i		09.98 -	55	1360	4	TU 3 JP/KFX (TU3JP)/KFW (TU3JP)	CL120	155	rail
1.4 i		09.98 - 02.09	55	1360	4	TU 3 JP/KFX (TU3JP)/KFW (TU3JP)	CL110	149	rail
1.4 i		03.00 - 02.09	55	1360	4	TU 3 JP/KFX (TU3JP)/KFW (TU3JP)	CL111	150	rail
1.6 16V		12.00 -	80	1587	4	NFU (TU5JP4)	CL104	146	rail
1.6 i		09.98 - 12.00	65	1587	4	NFZ (TU5JP)	CL106	147	PIN-1
							CL110	149	rail
2.0 RC		07.03 -	130	1997	4	RFK (EW10J4S)	CL112	150	rail
2.0 S16		04.99 - 10.00	99	1997	4	RFR (DEW10J4)	CL112	150	rail
2.0 S16	10.00 -	100	1997	4	RFN (EW10J4)	CL112	150	rail	
206 CC (2D)	1.6 16V	09.00 -	80	1587	4	NFU (TU5JP4)	CL104	146	rail
	2.0 S16	09.00 -	100	1997	4	RFN (EW10J4)	CL112	150	rail
206 Sedan	1.4	03.07 -	55	1360	4	KFV (TU3A)/KFW (TU3JP)	CL120	155	rail
	1.6 16V	03.07 -	80	1587	4	NFU (TU5JP4)	CL104	146	rail
206 SW (2E/K)	1.1	07.02 -	44	1124	4	HFZ (TU1JP)	CL111	150	rail
	1.4	07.02 -	55	1360	4	KFV (TU3A)/KFW (TU3JP)	CL111	150	rail

CAR	MODEL	YEAR	kW	ccm	CYL	MOTOR	COILTYPE	PAGE	INFO
PEUGEOT									
206 SW (2E/K)	1.4 16V	10.03 -	65	1360	4	KFU (ET3J4)	CL111	150	rail
							CL151	162	rail
	1.6 16V	07.02 -	80	1587	4	NFU (TU5JP4)	CL104	146	rail
	2.0 16V	07.02 -	100	1997	4	RFN (EW10J4)	CL112	150	rail
206+ (T3E)	1.1	01.09 -	44	1124	4	HFX (TU1A)/HFX (TU1JP)/TU1AE5	CL120	155	rail
	1.4 i	01.09 -	55	1360	4	KFV (TU3A)/KFW (TU3A)	CL120	155	rail
207 (WA_, WC_)	1.4	02.06 -	53	1360	4	KFV (TU3A)	CL120	155	rail
	1.4 16V	02.06 -	65	1360	4	KFU (ET3J4)	CL151	162	rail
	1.4 16V	06.07 -	70	1397	4	EP3	CL603	215	pencil
	1.6 16V	02.06 -	80	1587	4	NFU (TU5JP4)	CL104	146	rail
	1.6 16V Turbo	10.09 -	115	1598	4	5FR (EP6DT)	CL603	215	pencil
	1.6 16V VTi	02.07 -	88	1598	4	5FS (EP6C)/EP6	CL603	215	pencil
207 CC (WD_)	1.6 16V	02.07 -	88	1598	4	EP6	CL603	215	pencil
	1.6 16V Turbo	10.09 -	115	1598	4	5FR (EP6DT)	CL603	215	pencil
207 SW (WK_)	1.4	06.07 -	54	1360	4	KFV (TU3A)	CL120	155	rail
	1.4 16V	06.07 -	70	1397	4	EP3	CL603	215	pencil
	1.6 16V	06.07 -	88	1598	4	EP6	CL603	215	pencil
306 (7B, N3, N5)	1.1	06.94 - 05.01	44	1124	4	HDZ (TU1M)	CL106	147	PIN-1
	1.4 SL	06.94 - 05.01	55	1360	4	KDX /KFX /KFW	CL111	150	rail
	1.4 SL	06.97 - 06.00	55	1360	4	KDX /KFX /KFW	CL110	149	rail
	1.4 SL	06.97 - 05.01	55	1360	4	KDX /KFX /KFW	CL106	147	PIN-1
	1.6	10.00 - 05.01	72	1587	4	NFT	CL111	150	rail
	1.6 SR	04.97 - 10.00	65	1587	4	NFZ (TU5JP)	CL106	147	PIN-1
	1.6 SR	07.98 - 10.00	65	1587	4	NFZ (TU5JP)	CL110	149	rail
	1.8 16V	03.97 - 05.01	81	1761	4	LFY (XU7JP4)	CL107	147	PIN-1
	1.8 16V	09.97 - 05.01	81	1761	4	LFY (XU7JP4)	CL115	151	rail
	1.8 ST	06.94 - 05.01	74	1762	4	LFZ (XU7JP)	CL107	147	PIN-1
	2.0	03.97 - 09.97	97	1998	4	RFV (XU10J4R)	CL113	151	rail
	2.0	09.97 - 05.01	97	1998	4	RFV (XU10J4R)	CL115	151	rail
	2.0 S16	06.94 - 05.01	110	1998	4	RFT (XU10J4)	CL105	147	pencil
	2.0 S16	06.94 - 05.01	112	1998	4	RFY (XU10J4Z)	CL105	147	pencil
2.0 ST	07.94 - 05.01	89	1998	4	RFX (XU10J2)	CL107	147	PIN-1	
306 Break (7E, N3, N5)	1.4	03.97 - 04.02	55	1360	4	KFX (TU3JP)/KFW (TU3JP)	CL111	150	rail
	1.4	06.97 - 06.00	55	1360	4	KFX (TU3JP)/KFW (TU3JP)	CL110	149	rail
	1.6	04.97 - 10.00	65	1587	4	NFZ (TU5JP)	CL106	147	PIN-1
	1.6	07.98 - 10.00	65	1587	4	NFZ (TU5JP)	CL110	149	rail
	1.6	10.00 - 04.02	72	1587	4	NFT	CL111	150	rail
	1.8	03.97 - 04.02	74	1762	4	LFZ (XU7JP)	CL107	147	PIN-1
	1.8 16V	03.97 - 04.02	81	1761	4	LFY (XU7JP4)	CL107	147	PIN-1
	1.8 16V	09.97 - 04.02	81	1761	4	LFY (XU7JP4)	CL115	151	rail
	2.0	03.97 - 04.02	97	1998	4	RFV (XU10J4R)	CL115	151	rail
	306 Cabriolet (7D, N3, N5)	1.6	04.96 - 10.00	65	1587	4	NFZ (TU5JP)	CL106	147
1.6		10.00 - 04.02	72	1587	4	NFT	CL111	150	rail
1.8		03.94 - 04.02	74	1762	4	LFZ (XU7JP)	CL107	147	PIN-1
1.8 16V		07.00 - 04.02	81	1761	4	LFY (XU7JP4)	CL107	147	PIN-1
							CL115	151	rail
2.0		03.94 - 04.02	89	1998	4	RFX (XU10J2)	CL107	147	PIN-1
2.0 16V		03.97 - 09.97	97	1998	4	RFV (XU10J4R)	CL113	151	rail
2.0 16V		09.97 - 04.02	97	1998	4	RFV (XU10J4R)	CL115	151	rail
306 CC (7A, 7C, N3, N5)		1.1	05.93 - 05.01	44	1124	4	HDZ (TU1M)	CL106	147
	1.4	05.93 - 05.01	55	1360	4	KDX /KFX /KFW	CL111	150	rail
	1.4	06.97 - 05.01	55	1360	4	KDX /KFX /KFW	CL106	147	PIN-1
	1.6	05.93 - 10.00	65	1587	4	NFZ (TU5JP)	CL106	147	PIN-1
	1.6	10.00 - 05.01	72	1587	4	NFT	CL111	150	rail
	1.8	05.93 - 05.01	74	1762	4	LFZ (XU7JP)	CL107	147	PIN-1
	1.8 16V	03.97 - 05.01	81	1761	4	LFY (XU7JP4)	CL107	147	PIN-1
	1.8 16V	09.97 - 05.01	81	1761	4	LFY (XU7JP4)	CL115	151	rail
	2.0 16V	03.97 - 09.97	97	1998	4	RFV (XU10J4R)	CL113	151	rail
	2.0 16V	09.97 - 05.01	97	1998	4	RFV (XU10J4R)	CL115	151	rail
	2.0 S16	05.93 - 05.01	112	1998	4	RFY (XU10J4Z)	CL105	147	pencil

CAR	MODEL	YEAR	kW	ccm	CYL	MOTOR	COILTYPE	PAGE	INFO
PEUGEOT									
306 CC (7A, 7C, N3, N5)	2.0 S16	06.94 - 05.01	110	1998	4	RFT (XU10J4)	CL105	147	pencil
	2.0 S16	03.96 - 05.01	120	1998	4	RFS (XU10J4RS)	CL132	158	pencil
	2.0 XSi	05.93 - 05.01	89	1998	4	RFX (XU10J2)	CL107	147	PIN-1
307 (3A/C)	1.4	08.00 -	55	1360	4	KFW (TU3JP)	CL111	150	rail
	1.4 16V	11.03 -	65	1360	4	KFU (ET3J4)	CL151	162	rail
	1.6 16V	08.00 -	80	1587	4	NFU (TU5JP4)	CL104	146	rail
	2.0 16V	08.00 -	100	1997	4	RFN (EW10J4)	CL112	150	rail
	2.0 16V	03.05 -	103	1997	4	RFJ (EW10A)	CL138	160	rail
	2.0 16V	06.05 -	130	1997	4	RFK (EW10J4S)	CL133	159	rail
307 Break (3E)	1.4 16V	11.03 -	65	1360	4	KFU (ET3J4)	CL111	150	rail
							CL151	162	rail
	1.6 16V	03.02 -	80	1587	4	NFU (TU5JP4)	CL104	146	rail
	2.0	03.02 -	100	1997	4	RFN (EW10J4)	CL112	150	rail
	2.0 16V	03.05 -	103	1997	4	RFJ (EW10A)	CL138	160	rail
307 CC (3B)	2.0 16V	06.05 -	130	1997	4	RFK (EW10J4S)	CL133	159	rail
	1.6 16V	03.05 -	80	1587	4	NFU (TU5JP4)	CL104	146	rail
	2.0 16V	10.03 -	100	1997	4	RFN (EW10J4)	CL112	150	rail
	2.0 16V	10.03 -	130	1997	4	RFK (EW10J4S)	CL133	159	rail
307 SW (3H)	2.0 16V	03.05 -	103	1997	4	RFJ (EW10A)	CL138	160	rail
	1.4 16V	11.03 -	65	1360	4	KFU (ET3J4)	CL111	150	rail
							CL151	162	rail
	1.6 16V	03.02 -	80	1587	4	NFU (TU5JP4)	CL104	146	rail
308 (4A_, 4C_)	2.0 16V	03.02 -	100	1997	4	RFN (EW10J4)	CL112	150	rail
	2.0 16V	03.05 -	103	1997	4	RFJ (EW10A)	CL138	160	rail
	1.4 16V	09.07 -	70	1397	4	EP3	CL603	215	pencil
	1.4 16V	12.09 -	72	1397	4		CL603	215	pencil
308 CC	1.6 16V	09.07 -	88	1598	4	EP6	CL603	215	pencil
	1.6 16V	09.07 -	103	1598	4	5FT (EP6DT)	CL603	215	pencil
	1.6 16V	10.09 -	115	1598	4	EP6CDT	CL603	215	pencil
	1.6 Bioflex	04.08 -	80	1587	4	NFU (TU5JP4)	CL104	146	rail
	1.6 16V	06.09 -	88	1598	4	EP6	CL603	215	pencil
308 SW	1.4 16V	09.07 -	70	1397	4	8F5 (EP3)	CL603	215	pencil
	1.4 16V	12.09 -	72	1397	4		CL603	215	pencil
	1.6 16V	09.07 -	88	1598	4	EP6	CL603	215	pencil
	1.6 Bioflex	03.09 -	82	1587	4	NFU (TU5JP4)	CL104	146	rail
309 I (10C, 10A)	1.4	03.89 - 07.89	49	1360	4	K1D (TU3A)	CL108	149	SAE-1
	1.4	03.89 - 07.89	55	1360	4	KDZ (TU3M)/KDY (TU3M)	CL108	149	SAE-1
	1.4	03.89 - 07.89	62	1360	4	K2B (TU3S)	CL108	149	SAE-1
	1.6	11.85 - 09.88	76	1580	4	180Z (XU5J)/B6B (XU5J)	CL108	149	SAE-1
	1.6	01.86 - 07.89	69	1592	4		CL114	151	SAE-1
309 II (3C, 3A)	1.1	08.90 - 12.93	44	1124	4	HDZ (TU1M)	CL108	149	SAE-1
							CL114	151	SAE-1
	1.4	07.89 - 12.93	55	1361	4	KDZ (TU3M)/KDY (TU3M)	CL108	149	SAE-1
	1.4	07.90 - 12.93	49	1361	4	K1D (TU3A)	CL108	149	SAE-1
	1.6	07.89 - 12.93	65	1580	4	BDY/BDZ	CL107	147	PIN-1
	1.6	07.89 - 12.93	68	1580	4	B2A (XU52C/K)	CL114	151	SAE-1
	1.6	07.89 - 12.93	69	1580	4	B2A (XU52C/K)	CL114	151	SAE-1
	1.9	08.89 - 12.93	72	1905	4	DFZ (XU9J1)	CL108	149	SAE-1
	1.9 GTI	07.89 - 12.93	88	1905	4	DKZ (XU9JAZ)	CL108	149	SAE-1
	1.9 GTI 16V	08.89 - 07.90	116	1905	4	D6C (XU9J4)	CL114	151	SAE-1
405 I (15B)	1.9 GTI 16V	10.90 - 12.93	108	1905	4	DFW (XU9J4Z)	CL114	151	SAE-1
	1.4	01.87 - 07.92	47	1360	4	TU 3	CL108	149	SAE-1
	1.6	01.87 - 12.92	69	1580	4	B2A (XU52C/K)	CL114	151	SAE-1
	1.6	07.87 - 12.92	53	1580	4	B1E (XU51C)	CL114	151	SAE-1
	1.6	07.87 - 06.88	55	1580	4	B1E (XU51C)/BAZ (XU5CP)	CL114	151	SAE-1
	1.6	07.87 - 12.92	65	1580	4	BDY (XU5M2Z)/BDZ (XU5M)	CL114	151	SAE-1
	1.6	10.89 - 12.92	66	1580	4	BDZ (XU5M)	CL114	151	SAE-1
	1.6	09.90 - 12.92	65	1580	4	BDY (XU5M2Z)/BDZ (XU5M)	CL107	147	PIN-1
	1.6 4x4	04.88 - 07.92	65	1580	4	BDZ (XU5M)	CL114	151	SAE-1
	1.9	07.87 - 12.92	70	1905	4	D2C (XU92C (U-KAT))	CL114	151	SAE-1

CAR	MODEL	YEAR	kW	ccm	CYL	MOTOR	COILTYPE	PAGE	INFO
PEUGEOT									
405 I (15B)	1.9	07.88 - 12.92	88	1905	4	DKZ (XU9JAZ)	CL114	151	SAE-1
	1.9 Sport MI-16	07.87 - 11.91	116	1905	4	D6C (XU9J4)	CL114	151	SAE-1
	1.9 Sport MI-16	04.88 - 12.92	108	1905	4	DFW (XU9J4Z)	CL114	151	SAE-1
	1.9 Sport MI-16 4x4	04.88 - 12.92	108	1905	4	DFW (XU9J4Z)	CL114	151	SAE-1
405 I Break (15E)	1.6	10.88 - 08.92	55	1580	4	BAZ (XU5CP)	CL114	151	SAE-1
	1.6	10.88 - 08.92	66	1580	4	BDZ (XU5M)	CL114	151	SAE-1
	1.6	09.90 - 08.92	65	1580	4	BDY/BDZ	CL114	151	SAE-1
	1.6	10.90 - 08.92	65	1580	4	BDY/BDZ	CL107	147	PIN-1
	1.6 SRi 4x4	04.88 - 07.92	65	1580	4	BDZ (XU5M)	CL114	151	SAE-1
	1.9	10.88 - 08.92	70	1905	4	D2C (XU92C (U-KAT))	CL114	151	SAE-1
	1.9	10.88 - 08.92	88	1905	4	DKZ (XU9JAZ)	CL114	151	SAE-1
405 II (4B)	1.4	08.92 - 10.95	55	1361	4	KDX (TU3MC)	CL106	147	PIN-1
	1.6	08.92 - 10.95	65	1580	4	BFZ/BDY/BDZ	CL107	147	PIN-1
	1.8	08.92 - 10.95	74	1762	4	LFZ (XU7JP)	CL107	147	PIN-1
	2.0	08.92 - 10.95	89	1998	4	RFX (XU10J2)	CL107	147	PIN-1
	2.0T	08.92 - 10.95	144	1998	4	RGZ (XU10J4TE/Z)	CL105	147	pencil
	2.0 X4	08.92 - 10.95	89	1998	4	RFX (XU10J2)	CL107	147	PIN-1
405 II Break (4E)	1.4	08.92 - 10.96	55	1361	4	KDX (TU3MC)	CL106	147	PIN-1
	1.6	08.92 - 10.96	65	1580	4	BFZ/BDY/BDZ	CL107	147	PIN-1
	1.8	08.92 - 10.96	74	1762	4	LFZ (XU7JP)	CL107	147	PIN-1
	2.0	08.92 - 10.96	89	1998	4	RFX (XU10J2)	CL107	147	PIN-1
	2.0 4x4	08.92 - 10.96	89	1998	4	RFX (XU10J2)	CL107	147	PIN-1
	2.0 4x4	08.92 - 12.95	144	1998	4	RGZ (XU10J4TE/Z)	CL105	147	pencil
406 (8B)	1.6	11.95 - 05.04	65	1580	4	BFZ (XU5JP)	CL107	147	PIN-1
	1.8	05.97 - 05.04	66	1761	4		CL107	147	PIN-1
	1.8 16V	11.95 - 03.99	81	1761	4	LFY (XU7JP4)	CL107	147	PIN-1
	1.8 16V	09.97 - 10.00	81	1761	4	LFY (XU7JP4)	CL115	151	rail
	1.8 16V	10.00 - 05.04	85	1749	4	6FZ (EW7J4)	CL112	150	rail
	2.0 16V	11.95 - 09.97	97	1998	4	RFV (XU10J4R)	CL113	151	rail
	2.0 16V	09.97 - 03.99	97	1998	4	RFV (XU10J4R)	CL115	151	rail
	2.0 16V	01.99 - 08.00	99	1997	4	RFR (DEW10J4)	CL112	150	rail
	2.0 16V	08.00 - 05.04	100	1997	4	RFN (EW10J4)	CL112	150	rail
	2.0 16V HPi	05.01 - 05.04	103	1997	4	RLZ (EW10D)	CL154	163	rail
	2.0 Turbo	04.96 - 05.04	108	1998	4	RGX (XU10J2TE)	CL107	147	PIN-1
	2.2	07.00 - 05.04	116	2230	4	3FZ (EW12J4)	CL133	159	rail
	3.0 24V	10.96 - 05.04	140	2946	6	XFZ (ES9J4)	CL140	161	PIN-3
	3.0 V6	03.00 - 05.04	152	2946	6	XFX (ES9J4S)	CL135	159	pencil
406 Break (8E/F)	1.8	05.97 - 10.04	66	1761	4	LFX (XU7JB)	CL107	147	PIN-1
	1.8 16V	10.96 - 03.99	81	1761	4	LFY (XU7JP4)	CL107	147	PIN-1
	1.8 16V	09.97 - 10.00	81	1761	4	LFY (XU7JP4)	CL115	151	rail
	1.8 16V	10.00 - 10.04	85	1749	4	6FZ (EW7J4)	CL112	150	rail
	2.0 16V	11.96 - 11.97	97	1998	4	RFV (XU10J4R)	CL113	151	rail
	2.0 16V	09.97 - 04.04	97	1998	4	RFV (XU10J4R)	CL115	151	rail
	2.0 16V	01.99 - 10.00	99	1997	4	RFR (DEW10J4)	CL112	150	rail
	2.0 16V	10.00 - 10.04	100	1997	4	RFN (EW10J4)	CL112	150	rail
	2.0 16V HPi	05.01 - 10.04	103	1997	4	RLZ (EW10D)	CL154	163	rail
	2.0 Turbo	10.96 - 10.04	108	1998	4	RGX (XU10J2TE)	CL107	147	PIN-1
	2.2	07.00 - 10.04	116	2230	4	3FZ (EW12J4)	CL133	159	rail
	3.0 24V	10.96 - 10.04	140	2946	6	XFZ (ES9J4)	CL140	161	PIN-3
	3.0 V6	03.00 - 10.04	152	2946	6	XFX (ES9J4S)	CL135	159	pencil
	406 Coupe (8C)	2.0 16V	05.97 - 09.97	97	1998	4	RFV (XU10J4R)	CL113	151
2.0 16V		05.97 - 04.99	97	1998	4	RFV (XU10J4R)	CL115	151	rail
2.0 16V		01.99 - 10.00	99	1997	4	RFR (DEW10J4)	CL112	150	rail
2.0 16V		10.00 - 12.04	100	1997	4	RFN (EW10J4)	CL112	150	rail
2.2		03.02 - 12.04	116	2230	4	3FZ (EW12J4)	CL133	159	rail
3.0 V6		03.00 - 12.04	152	2946	6	XFX (ES9J4S)	CL135	159	pencil
3.0 V6 24V		03.97 - 12.04	140	2946	6	XFZ (ES9J4)	CL140	161	PIN-3
407 (6D_)	1.8	05.04 -	85	1749	4	6FZ (EW7J4)	CL112	150	rail
	1.8 16V	09.05 -	92	1749	4	6FY (EW7A)	CL138	160	rail
	2.0	05.04 -	100	1997	4	RFN (EW10J4)	CL112	150	rail

CAR	MODEL	YEAR	kW	ccm	CYL	MOTOR	COILTYPE	PAGE	INFO
PEUGEOT									
407 (6D_)	2.0 16V	09.05 -	103	1997	4	RFJ (EW10A)	CL138	160	rail
	2.0 Bioflex	09.07 -	103	1997	4	RFJ (EW10A)	CL138	160	rail
	2.2	05.04 -	116	2230	4	3FZ (EW12J4)	CL133	159	rail
							CL139	161	rail
407 Coupe (6C_)	2.2 16V	10.05 -	120	2230	4	3FY (EW12J4)	CL133	159	rail
	3.0V6	10.05 -	155	2946	6	XFV (ES9A)	CL135	159	pencil
407 SW (6E_)	1.8	05.04 -	85	1749	4	6FZ (EW7J4)	CL112	150	rail
	1.8 16V	09.05 -	92	1749	4	6FY (EW7A)	CL138	160	rail
	2.0	05.04 -	100	1997	4	RFN (EW10J4)	CL112	150	rail
	2.0 16V	09.05 -	103	1997	4	RFJ (EW10A)	CL138	160	rail
	2.2	05.04 -	116	2230	4	3FZ (EW12J4)	CL133	159	rail
	3.0	05.04 -	155	2946	6	XFV (ES9A)	CL135	159	pencil
508 SW	1.6 THP	11.10 -	115	1598	4	EP6CDT	CL603	215	pencil
	1.6 VTi	11.10 -	88	1598	4	5FS (EP6C)	CL603	215	pencil
605 (6B)	2.0	06.89 - 09.90	89	1998	4	RFZ (XU10J2Z)	CL107	147	PIN-1
	2.0	10.90 - 09.99	89	1998	4	RFZ (XU10J2Z)	CL107	147	PIN-1
	2.0	02.90 - 09.99	79	1998	4		CL129	158	SAE-1
	2.0 16V	07.94 - 05.99	97	1998	4	RFV (XU10J4R)	CL113	151	rail
	2.0 16V	09.97 - 09.99	97	1998	4	RFV (XU10J4R)	CL115	151	rail
	2.0 Turbo	07.91 - 09.99	108	1998	4	RGX (XU10J2TE)	CL107	147	PIN-1
	2.0 Turbo	07.92 - 09.99	104	1998	4	RGY (XU10J2TE)	CL107	147	PIN-1
	3.0V6	04.97 - 09.99	140	2946	6	ES 9 J4	CL140	161	PIN-3
607 (9D, 9U)	2.0	02.00 -	100	1997	4	RFN (EW10J4)	CL112	150	rail
607 (9D, 9U)	2.2 16V	02.00 -	116	2230	4	3FZ (EW12J4)	CL133	159	rail
							CL139	161	rail
607 (9D, 9U)	3.0V6 24V	02.00 -	152	2946	6	XFX (ES9J4S)	CL135	159	pencil
	3.0V6 24V	03.04 -	155	2946	6	XFV (ES9A)	CL135	159	pencil
806 (221)	1.8	07.95 - 08.02	73	1761	4	LFW (XU7JP)	CL107	147	PIN-1
	2.0	06.94 - 08.02	89	1998	4	RFU (XU10J2)	CL107	147	PIN-1
	2.0 16V	05.98 - 09.00	97	1998	4	RFV (XU10J4R)	CL115	151	rail
	2.0 16V	09.00 - 08.02	100	1997	4	RFN (EW10J4)	CL112	150	rail
	2.0 Turbo	06.94 - 08.02	108	1998	4	RGX (XU10J2TE)	CL107	147	PIN-1
	807 (E)	2.0	06.02 -	100	1997	4	RFN (EW10J4)	CL112	150
	2.0 16V	09.05 -	103	1997	4	RFJ (EW10A)	CL138	160	rail
	2.2	06.02 -	116	2230	4	3FZ (EW12J4)	CL133	159	rail
	CL139	161	rail						
	3.0V6	06.02 -	150	2946	6	XFX (ES9J4S)	CL135	159	pencil
Bipper (AA_)	1.4	02.08 -	54	1360	4	KFV (TU3A)	CL120	155	rail
Bipper Tepee	1.4	04.08 -	54	1360	4	KFV (TU3A)	CL120	155	rail
Boxer Bus (230P)	2.0 i	03.94 - 04.02	80	1998	4	RFW (XU10J2)	CL107	147	PIN-1
	2.0 i 4x4	08.96 - 04.02	80	1998	4	RFW (XU10J2)	CL107	147	PIN-1
Boxer Bus (244, Z_)	2.0	04.02 -	81	1998	4	RFL (XU10J2U)	CL107	147	PIN-1
Boxer Flatbed (ZCT_)	2.0 i	06.94 - 04.02	80	1998	4	RFW (XU10J2)	CL107	147	PIN-1
Boxer Van (230L)	2.0 4x4	03.96 - 09.98	80	1998	4		CL107	147	PIN-1
	2.0 i	06.94 - 04.02	80	1998	4	RFW (XU10J2)	CL107	147	PIN-1
Boxer Van (244)	2.0	04.02 -	81	1998	4	RFL (XU10J2U)	CL107	147	PIN-1
Expert (224)	1.6	02.96 -	58	1581	4	222A2 (1580 SPI)	CL302	175	PIN-4
	1.8	10.96 - 09.00	74	1761	4	LFZ (XU7JP)	CL107	147	PIN-1
	2.0	07.00 -	100	1997	4	RFN (EW10J4)	CL112	150	rail
Expert Flatbed (223)	1.6	02.96 -	58	1581	4	222A2 (1580 SPI)	CL302	175	PIN-4
Expert Tepee (VF3V_)	2.0 16V	01.07 -	103	1997	4	RFJ (EW10A)/RFH (EW10A)	CL138	160	rail
Expert Van (222)	1.6	02.96 -	58	1581	4	222A2 (1580 SPI)	CL302	175	PIN-4
	1.8	10.96 - 09.00	74	1761	4	LFZ (XU7JP)	CL107	147	PIN-1
	2.0	09.02 -	100	1997	4	RFN (EW10J4)	CL112	150	rail
Expert Van (VF3A_, _3U_, _3X_)	2.0 16V	01.07 -	103	1997	4	RFJ (EW10A)/RFH (EW10A)	CL138	160	rail
Partner Combispace (5F)	1.1	06.96 -	44	1124	4	HDZ (TU1M)/HFX (TU1JP)	CL107	147	PIN-1
	1.4	06.96 - 11.02	55	1360	4	KFX (TU3JP)/TU32/KFW (TU3JP)	CL107	147	PIN-1
	1.4	09.00 -	55	1360	4	KFX (TU3JP)/TU32/KFW (TU3JP)	CL111	150	rail
	1.4	09.05 -	55	1360	4	KFX (TU3JP)/TU32/KFW (TU3JP)	CL120	155	rail

CAR	MODEL	YEAR	kW	ccm	CYL	MOTOR	COIL TYPE	PAGE
PEUGEOT								
Partner Combispace (5F)	1.8	05.97 -	66	1761	4	LFX (XU7JB)	CL107	147 PIN-1
	1.6 16V	07.01 -	80	1587	4	NFU (TU5JP4)	CL104	146 rail
Partner Tepee	1.6	04.08 -	66	1587	4	NFR (TU5JP4B)	CL104	146 rail
	1.6	04.08 -	80	1587	4	NFU (TU5JP4)	CL104	146 rail
Partner Van	1.6	04.08 -	66	1587	4	NFR (TU5JP4B)	CL104	146 rail
	1.6	04.08 -	80	1587	4	NFU (TU5JP4)	CL104	146 rail
Partner Van (5)	1.1	06.96 -	44	1124	4	HDZ (TU1M)	CL107	147 PIN-1
	1.4	06.96 -	55	1360	4	KFX (TU3JP)/TU32	CL107	147 PIN-1
	1.4 Bifuel	04.03 -	55	1360	4	KFW (TU3JP)	CL111	150 rail
PORSCHE								
959	2.8	01.86 - 04.91	330	2850	6	959.50	CL612	220 DIN-1
911 Cabriolet (996)	3.6 Carrera	10.01 - 08.05	235	3596	6	M 96.03	CL702	226 pencil
	3.6 Carrera 4	10.01 - 08.05	235	3596	6	M 96.03	CL702	226 pencil
Cayenne (955)	3.2	10.03 -	184	3189	6	M02.2Y	CL016	140 pencil
	4.5 Turbo	09.02 -	331	4511	8	M 48.50	CL620	224 pencil
	4.5 S	09.02 -	250	4511	8	M 48.00	CL620	224 pencil
	4.5 S Turbo	01.04 -	368	4511	8	M 48.50S	CL620	224 pencil
PROTON								
Gen 2 (CM_)	1.3	06.04 -	70	1332	4	S4PE	CL302	175 PIN-4
	1.6	06.04 -	82	1597	4	S4PH	CL302	175 PIN-4
Wira	1.3	08.00 -	55	1298	4	4 G 13	CL302	175 PIN-4
	1.5	08.00 -	64	1468	4	4 G 15	CL302	175 PIN-4
Wira Hatchback	1.3	08.00 -	55	1298	4	4 G 13	CL302	175 PIN-4
	1.5	08.00 -	64	1468	4	4 G 15 M	CL302	175 PIN-4
RENAULT								
9 (L42_)	1.2	09.85 - 12.88	40	1237	4	C1G 700/C1G 710	CL146	161 DIN-1
	1.4	12.81 - 12.88	44	1397	4	C1J 715/C1J 792/C2J 730/C1J 796	CL146	161 DIN-1
	1.4	09.85 - 12.88	49	1397	4	C2J 766/C2J 720/C2J 768/C2J 767	CL146	161 DIN-1
	1.4	09.81 - 12.85	53	1397	4	C2J 717/C2J 755	CL146	161 DIN-1
	1.4 Automatic	09.81 - 12.85	50	1397	4	C2J 757/C2J 718	CL146	161 DIN-1
	1.4 Turbo	12.86 - 12.89	85	1397	4	C1J 764/C1J 760	CL146	161 DIN-1
	1.4 Turbo	04.84 - 12.86	77	1397	4	C1J 764/C1J 760	CL146	161 DIN-1
	1.7	09.84 - 12.88	59	1721	4	F2N 704/F2N 700	CL146	161 DIN-1
	1.7	10.86 - 12.88	54	1721	4	F3N 718	CL118	153 SAE-1
							CL146	161 DIN-1
	1.7	10.86 - 12.88	55	1721	4	F2N 730	CL118	153 SAE-1
							CL146	161 DIN-1
	1.7	10.86 - 12.88	65	1721	4	F2N 798/F2N 710/F2N 708	CL118	153 SAE-1
							CL146	161 DIN-1
	1.7	06.87 - 12.88	69	1721	4	F3N 708	CL118	153 SAE-1
							CL146	161 DIN-1
11 (B/C37_)	1.2	10.84 - 12.88	40	1237	4	C1G 700/C1G 710	CL146	161 DIN-1
	1.4	03.83 - 12.88	44	1397	4	C1J 715/C2J 730	CL118	153 SAE-1
							CL146	161 DIN-1
	1.4	03.83 - 12.88	49	1397	4	C2J 766/C2J 720/C2J 768/C2J 767	CL118	153 SAE-1
							CL146	161 DIN-1
	1.4	03.83 - 12.85	50	1397	4	C2J 757/C2J 718	CL118	153 SAE-1
							CL146	161 DIN-1
	1.4	05.83 - 12.85	53	1397	4	C2J 717/C2J 755	CL118	153 SAE-1
							CL146	161 DIN-1
	1.4 Turbo	04.84 - 12.86	77	1397	4	C1J 764/C1J 760	CL118	153 SAE-1
							CL146	161 DIN-1
	1.4 Turbo	10.86 - 12.88	85	1397	4	C1J 770/C1J 782	CL118	153 SAE-1
							CL146	161 DIN-1
1.7	10.86 - 12.88	54	1721	4	F2N 730	CL118	153 SAE-1	
						CL146	161 DIN-1	
1.7	10.84 - 12.88	55	1721	4	F3N 718	CL118	153 SAE-1	
						CL146	161 DIN-1	
1.7	10.83 - 12.87	59	1721	4	F2N 704/F2N 700	CL118	153 SAE-1	
						CL146	161 DIN-1	

CAR	MODEL	YEAR	kW	ccm	CYL	MOTOR	COILTYPE	PAGE	INFO	
RENAULT										
11 (B/C37_)	1.7	06.87 - 12.88	64	1721	4	F2N 732/F2N 742	CL118	153	SAE-1	
							CL146	161	DIN-1	
	1.7	10.86 - 12.88	65	1721	4	F2N 798/F2N 710/F2N 708	CL118	153	SAE-1	
							CL146	161	DIN-1	
	1.7	06.87 - 12.88	69	1721	4	F3N 708	CL118	153	SAE-1	
18 (134_)	1.4	04.78 - 07.86	47	1397	4	847 720/847 722	CL146	161	DIN-1	
	1.6	04.78 - 09.82	58	1647	4	841 725/841 726	CL146	161	DIN-1	
	1.6	04.82 - 07.86	54	1647	4	841 717/A2M 723	CL146	161	DIN-1	
	1.6TS	05.82 - 07.86	71	1647	4	A6M 725/A6M 726	CL146	161	DIN-1	
	1.6 Turbo	10.80 - 09.82	80	1565	4	807 727	CL146	161	DIN-1	
	1.6 Turbo	10.82 - 07.86	92	1565	4	A5L 718/A5L 717	CL146	161	DIN-1	
	2.0	05.82 - 07.86	77	1995	4	J6R 716	CL146	161	DIN-1	
	2.2 i	06.84 - 07.86	76	2165	4		CL118	153	SAE-1	
18 Variable (135_)	1.4	05.79 - 07.86	47	1397	4	847 720/847 722	CL146	161	DIN-1	
	1.6	05.79 - 09.82	58	1647	4	841 725/841 726	CL146	161	DIN-1	
	1.6	01.82 - 07.86	54	1647	4	841 717/A2M 723	CL146	161	DIN-1	
	1.6 4x4	02.79 - 06.81	58	1647	4	841 725	CL146	161	DIN-1	
	1.6 4x4	01.83 - 07.86	54	1647	4	841 717/A2M 723	CL146	161	DIN-1	
	1.6TS	05.82 - 07.86	71	1647	4	A6M 725/A6M 726	CL146	161	DIN-1	
	1.6 Turbo	10.82 - 07.86	92	1565	4	A5L 718/A5L 717	CL146	161	DIN-1	
	2.0	10.81 - 07.86	77	1995	4	J6R 716	CL146	161	DIN-1	
	2.0 4x4	05.83 - 12.86	76	1995	4	J6R 714/J6R 716	CL146	161	DIN-1	
	19 I (B/C53_)	1.4	01.88 - 12.92	59	1390	4	E6J 701/E6J 700	CL118	153	SAE-1
1.4		01.89 - 12.89	43	1397	4	C2J 772	CL118	153	SAE-1	
1.4 cat		01.89 - 04.92	43	1397	4	C3J 710	CL118	153	SAE-1	
1.7		09.88 - 04.92	54	1721	4	F3N 741/F3N 740	CL118	153	SAE-1	
1.7		09.88 - 04.92	66	1721	4	F3N 743/F3N 742	CL118	153	SAE-1	
1.8 16V		06.89 - 04.92	99	1764	4	F7P 704	CL118	153	SAE-1	
							CL118	153	SAE-1	
19 I Chamade (L53_)	1.4	07.88 - 04.92	43	1397	4	C3J 710/C2J 772	CL118	153	SAE-1	
	1.7	07.88 - 04.92	66	1721	4	F3N 743/F3N 742	CL118	153	SAE-1	
	1.7	08.88 - 12.92	79	1721	4	F3N 746	CL118	153	SAE-1	
	1.8 16V	10.89 - 04.92	99	1764	4	F7P 704	CL118	153	SAE-1	
19 II (B/C53_)	1.4	04.92 - 12.95	43	1397	4	C3J 710	CL118	153	SAE-1	
	1.4	01.92 - 12.95	55	1390	4	E7J 742	CL118	153	SAE-1	
	1.4	01.92 - 12.95	59	1390	4	E7J 706/E6J 700	CL118	153	SAE-1	
	1.7	04.92 - 12.95	54	1721	4	F3N 741/F3N 740	CL118	153	SAE-1	
	1.7	04.92 - 12.95	66	1721	4	F3N 743	CL118	153	SAE-1	
	1.8	04.92 - 12.95	65	1794	4	F3P 706/F3P 707/F3P 760/F3P 708	CL118	153	SAE-1	
	1.8	04.92 - 12.95	66	1794	4	F3P 706/F3P 760	CL118	153	SAE-1	
	1.8	04.92 - 05.94	81	1794	4	F3P 700	CL118	153	SAE-1	
	1.8	05.94 - 12.95	79	1794	4	F3P 765/F3P 682	CL122	156	SAE-1	
	1.8 16V	04.92 - 12.95	99	1764	4	F7P 704	CL118	153	SAE-1	
	19 II Cabriolet (D53_, 853_)	1.7	04.92 - 09.93	66	1721	4	F3N 743/F3N 742	CL118	153	SAE-1
		1.8	04.92 - 06.96	65	1794	4	F3P 704/_706/_707/_760/_708/_705	CL118	153	SAE-1
1.8		09.93 - 06.96	66	1794	4	F3P 706/F3P 760	CL118	153	SAE-1	
1.8		07.94 - 06.96	79	1794	4	F3P 765/F3P 682/F3P 764	CL118	153	SAE-1	
1.8 16V		04.92 - 06.96	99	1764	4	F7P 704	CL118	153	SAE-1	
19 II Chamade (L53_)	1.4	04.92 - 12.95	43	1397	4	C3J 710	CL118	153	SAE-1	
	1.4	11.93 - 12.95	55	1390	4	E7J 742	CL118	153	SAE-1	
	1.4	10.94 - 11.95	57	1390	4	E6J 700	CL118	153	SAE-1	
	1.7	04.92 - 12.95	54	1721	4	F3N 741/F3N 740	CL118	153	SAE-1	
	1.7	05.92 - 11.95	55	1721	4	F3N 741/F3N 740	CL118	153	SAE-1	
	1.7	04.92 - 12.95	66	1721	4	F3N 743/F3N 742	CL118	153	SAE-1	
	1.7	01.93 - 08.95	68	1721	4	F2N 720/F2N 721	CL118	153	SAE-1	
	1.8	04.92 - 12.95	65	1794	4	F3P 704/_706/_707/_760/_708/_705	CL118	153	SAE-1	
	1.8	04.92 - 12.95	66	1794	4	F3P 706/F3P 760	CL118	153	SAE-1	
	1.8	05.92 - 09.94	67	1794	4	F3P 765	CL118	153	SAE-1	
	1.8	05.92 - 11.95	79	1794	4	F3P 706/F3P 700	CL118	153	SAE-1	
	1.8	04.92 - 05.94	81	1794	4	F3P 700	CL118	153	SAE-1	
	1.8	05.94 - 12.95	79	1783	4	F3P 682	CL122	156	SAE-1	

CAR	MODEL	YEAR	kW	ccm	CYL	MOTOR	COILTYPE	PAGE	INFO
RENAULT									
19 II Chamade (L53_)	1.8 16V	04.92 - 12.95	99	1764	4	F7P 704	CL118	153	SAE-1
21 (B48_)	1.7	09.89 - 10.92	54	1721	4	F3N 726	CL118	153	SAE-1
	1.7	09.89 - 06.94	66	1721	4	F3N 723/F3N 722	CL118	153	SAE-1
	1.7	09.89 - 10.92	54	1721	4	F3N 726	CL146	161	DIN-1
	2.0	02.90 - 10.92	99	1995	4	J7R 740	CL118	153	SAE-1
	2.0 4x4	09.90 - 10.92	99	1995	4	J7R 740	CL118	153	SAE-1
	2.2	09.89 - 06.94	79	2165	4	J7T 754/J7T 755	CL118	153	SAE-1
	2.2 4x4	07.90 - 06.94	79	2165	4	J7T 754/J7T 755	CL118	153	SAE-1
21 Combi (K48_)	1.7	10.86 - 12.88	65	1721	4	F2N 710	CL118	153	SAE-1
							CL146	161	DIN-1
	1.7	06.86 - 12.89	54	1721	4	F2N 750	CL118	153	SAE-1
	1.7	06.86 - 12.89	69	1721	4	F3N 723/F3N 722	CL118	153	SAE-1
	1.7	06.86 - 03.93	55	1721	4	F2N 712	CL118	153	SAE-1
							CL146	161	DIN-1
	1.7	06.87 - 04.89	64	1721	4	F2N 752	CL118	153	SAE-1
	1.7	10.89 - 12.93	66	1721	4	F3N 723/F3N 722	CL146	161	DIN-1
	1.7 cat	05.88 - 06.93	54	1721	4	F3N 726	CL118	153	SAE-1
							CL146	161	DIN-1
	2.0	06.86 - 12.88	85	1995	4	J7R 750/J7R 751	CL118	153	SAE-1
	2.0	06.90 - 02.94	99	1995	4	J7R 740	CL118	153	SAE-1
	2.2	06.86 - 11.93	79	2165	4	J7T 754/J7T 755	CL118	153	SAE-1
	2.2 4x4	06.86 - 12.93	79	2165	4	J7T 754/J7T 755	CL118	153	SAE-1
21 Sedan (L48_)	1.7	03.86 - 12.87	55	1721	4	F2N 712	CL118	153	SAE-1
							CL146	161	DIN-1
	1.7	03.86 - 03.93	65	1721	4	F2N 710	CL118	153	SAE-1
							CL146	161	DIN-1
	1.7	03.86 - 02.94	69	1721	4	F3N 723/F3N 722	CL118	153	SAE-1
	1.7	07.86 - 02.94	54	1721	4	F3N 726 /F2N 750	CL118	153	SAE-1
							CL146	161	DIN-1
	1.7	06.87 - 04.89	64	1721	4	F2N 752	CL118	153	SAE-1
	1.7	09.89 - 02.94	66	1721	4	F3N 723/F3N 722	CL118	153	SAE-1
	2.0	03.86 - 12.88	85	1995	4	J7R 750/J7R 751	CL118	153	SAE-1
	2.0	03.86 - 12.93	88	1995	4	J7R 747/J7R 746	CL118	153	SAE-1
	2.0	04.88 - 06.89	76	1995	4	J6R 793/J6R 792	CL118	153	SAE-1
	2.0	02.90 - 06.94	99	1995	4	J7R 740	CL118	153	SAE-1
	2.0	05.91 - 10.93	78	1995	4	J6R 758	CL118	153	SAE-1
	2.0 4x4	12.89 - 02.94	99	1995	4	J7R 740	CL118	153	SAE-1
	2.0 Turbo	04.87 - 03.90	129	1995	4	J7R 752	CL118	153	SAE-1
	2.0 Turbo	02.90 - 10.92	119	1995	4	J7R 756	CL118	153	SAE-1
	2.0 Turbo 4x4	08.89 - 10.93	129	1995	4	J7R 752	CL118	153	SAE-1
	2.0 Turbo 4x4	02.90 - 10.92	119	1995	4	J7R 756	CL118	153	SAE-1
	2.2	07.86 - 02.94	79	2165	4	J7T 754/J7T 755	CL118	153	SAE-1
	2.2 4x4	07.90 - 02.94	79	2165	4	J7T 754/J7T 755	CL118	153	SAE-1
25 (B29_)	2.0	04.84 - 12.92	74	1995	4	J6R 763/_707/_760/_706/_762	CL118	153	SAE-1
							CL146	161	DIN-1
	2.0 12V	06.89 - 12.92	99	1995	4	J7R 726	CL118	153	SAE-1
	2.0 12V	06.88 - 12.93	103	1995	4	J7R 721/J7R 720	CL118	153	SAE-1
	2.2	04.84 - 12.89	89	2165	4	J7T 707/J7T 706/J7T 714/J7T 715	CL118	153	SAE-1
	2.2	04.84 - 12.89	91	2165	4	J7T 730/J7T 731	CL118	153	SAE-1
	2.2	11.85 - 03.89	76	2165	4		CL118	153	SAE-1
	2.2	09.86 - 12.92	79	2165	4	J7T 708/J7T 733 /J7T 732	CL118	153	SAE-1
	2.4 V6 Turbo	10.84 - 05.90	133	2458	6	Z7U 702	CL118	153	SAE-1
	2.5 V6 Turbo	01.90 - 12.92	151	2458	6	Z7U 700	CL118	153	SAE-1
	2.8 V6	06.87 - 02.90	115	2849	6	Z7W 700	CL118	153	SAE-1
	2.8 V6 Injection	06.87 - 12.92	110	2849	6	Z7W 706/Z7W 707/Z7W 709	CL118	153	SAE-1
Avantime (DE0_)	2.0 16V Turbo	11.01 - 05.03	120	1998	4	F4R 760/F4R 761	CL100	144	pencil
	3.0 V6	09.01 - 05.03	152	2946	6	L7X 720/L7X 721	CL135	159	pencil
Clio Grandtour (KRO/1_)	1.2 16V	02.08 -	55	1149	4	D4F 740	CL150	162	PIN-1
	1.2 16V	02.08 -	58	1149	4	D4F 764	CL150	162	PIN-1
	1.2 16V	02.08 -	74	1149	4	D4F 784	CL150	162	PIN-1

CAR	MODEL	YEAR	kW	ccm	CYL	MOTOR	COILTYPE	PAGE	INFO
RENAULT									
Clio Grandtour (KR0/1_)	1.2 16V Hi-Flex	07.08 -	55	1149	4	D4F 740	CL149	162	cables
	1.4 16V	02.10 -	72	1390	4	K4J 780	CL100	144	pencil
	1.6 16V	02.08 -	82	1598	4	K4M 800/K4M 801	CL100	144	pencil
	1.6 16V	11.08 -	94	1598	4	K4M 862	CL100	144	pencil
Clio I (B/C57_, 5/357_)	1.2	05.90 - 09.98	43	1171	4	E7F 750/E7F 700/E7F 708	CL118	153	SAE-1
	1.2	05.90 - 03.96	44	1171	4	E5F 710	CL118	153	SAE-1
	1.2	01.91 - 01.96	40	1171	4	E7F 706	CL118	153	SAE-1
	1.2	01.96 - 12.96	40	1239	4	C3G 720	CL122	156	SAE-1
	1.2	01.96 - 09.98	40	1149	4	D7F 730	CL131	158	PIN-4
	1.2	01.96 - 09.98	43	1149	4	D7F 730	CL131	158	PIN-4
	1.4	01.91 - 09.98	55	1390	4	E7J 756/E7J 757	CL118	153	SAE-1
	1.4	01.91 - 09.98	59	1390	4	E7J 710 /E7J 711	CL118	153	SAE-1
	1.8	08.90 - 04.96	66	1783	4	F3P 755	CL118	153	SAE-1
	1.8	01.91 - 09.98	65	1794	4	F3P 710 /F3P 714	CL118	153	SAE-1
	1.8	08.94 - 09.98	66	1794	4	F3P 755 /F3P 754	CL118	153	SAE-1
	1.8 16V	01.91 - 03.96	99	1764	4	F7P 722	CL118	153	SAE-1
	1.8 Rsi	08.95 - 09.98	79	1783	4	F3P 758	CL118	153	SAE-1
	1.8 Rsi	01.93 - 08.95	80	1794	4	F3P 712	CL118	153	SAE-1
	2.0 Williams	01.94 - 09.98	108	1998	4	F7R 700	CL118	153	SAE-1
Clio II (BB0/1/2_, CB0/1/2_)	1.2	09.98 -	43	1149	4	D7F 710/D7F 766/D7F 720/D7F 726	CL116	152	PIN-4
							CL131	158	PIN-4
	1.2	03.99 - 05.01	44	1149	4	D7F 722	CL116	152	PIN-4
	1.2	06.01 - 10.03	55	1149	4		CL130	158	cables
	1.2 16V	06.01 -	55	1149	4	D4F 714/D4F 712/D4F 722	CL150	162	PIN-1
	1.2 16V	06.04 -	55	1149	4	D4F 714/D4F 712/D4F 722	CL130	158	cables
	1.2 16V	06.07 -	55	1149	4	D4F 714/D4F 712/D4F 722	CL149	162	cables
	1.4	09.98 - 05.05	55	1390	4	K7J 710/E7J 780	CL102	146	PIN-2
							CL128	157	PIN-2
	1.4 16V	10.99 - 08.00	70	1390	4	K4J 712/K4J 713	CL100	144	pencil
	1.4 16V	08.00 -	72	1390	4	K4J 712/_711/_710/_713/_700	CL100	144	pencil
	1.6	09.98 - 05.05	66	1598	4	K7M 744/K7M 745	CL102	146	PIN-2
							CL128	157	PIN-2
	1.6 16V	09.98 -	79	1598	4	K4M 748/K4M 744/K4M 708/K4M 745	CL100	144	pencil
	2.0 16V Sport	02.00 -	124	1998	4	F4R 730	CL131	158	PIN-4
	2.0 16V Sport	01.04 -	132	1998	4	F4R 738	CL130	158	cables
	3.0 V6 Sport	11.00 - 12.02	166	2946	6	L7X 760	CL135	159	pencil
	3.0 V6 Sport	12.02 -	187	2946	6	L7X 762	CL135	159	pencil
Clio II Van (SB0/1/2_)	1.1	09.98 -	43	1149	4	D7F 722/D7F 720	CL131	158	PIN-4
	1.2	03.99 - 10.03	44	1149	4	D7F 726/D7F 746	CL116	152	PIN-4
Clio III (BR0/1, CR0/1)	1.2 16V	06.05 -	48	1149	4	D4F 740	CL134	159	cables
							CL150	162	PIN-1
	1.2 16V	06.07 -	48	1149	4	D4F 740	CL149	162	cables
	1.2 16V	06.05 -	55	1149	4	D4F 740	CL134	159	cables
							CL150	162	PIN-1
	1.2 16V	06.07 -	55	1149	4	D4F 740	CL149	162	cables
	1.2 16V	06.05 -	58	1149	4	D4F 764	CL134	159	cables
							CL150	162	PIN-1
	1.2 16V	06.07 -	58	1149	4	D4F 764	CL149	162	cables
	1.2 16V	05.07 -	74	1149	4	D4F 784	CL150	162	PIN-1
	1.2 16V Hi-Flex	07.08 -	55	1149	4	D4F 740/D4F 742	CL149	162	cables
	1.4 16V	06.05 -	72	1390	4	K4J 780	CL100	144	pencil
	1.6 16V	06.05 -	65	1598	4	K4M 804	CL100	144	pencil
	1.6 16V	06.05 -	82	1598	4	K4M 800/K4M 801	CL100	144	pencil
	1.6 16V GT	06.09 -	94	1598	4	K4M 862	CL100	144	pencil
	2.0 16V Sport	02.06 -	145	1998	4	F4R 830	CL100	144	pencil
	2.0 16V Sport	09.08 -	148	1998	4	F4R 830	CL100	144	pencil
Espace I (J11_)	2.0	09.84 - 12.87	80	1995	4	J6R 234/J6R 236	CL118	153	SAE-1
							CL146	161	DIN-1
	2.0	01.88 - 12.90	74	1995	4	J6R 734	CL118	153	SAE-1

CAR	MODEL	YEAR	kW	ccm	CYL	MOTOR	COILTYPE	PAGE	INFO	
RENAULT										
Espace I (J11_)	2.0 i	01.89 - 12.90	87	1995	4	J7R 760	CL118	153	SAE-1	
							CL146	161	DIN-1	
	2.0 i Quadra	03.88 - 12.92	87	1995	4	J7R 760	CL118	153	SAE-1	
							CL146	161	DIN-1	
	2.2	07.86 - 12.90	79	2165	4	J7T 770	CL118	153	SAE-1	
	2.2 Quadra	01.88 - 12.90	79	2165	4	J7T 770	CL118	153	SAE-1	
	Espace II (J/S63_)	2.0	01.91 - 10.96	76	1995	4	J7R 768	CL118	153	SAE-1
		2.2	01.91 - 10.96	79	2165	4	J7T 772/J7T 776/J7T 773	CL118	153	SAE-1
	2.2 4x4	03.91 - 12.96	79	2165	4	J7T 772/J7T 773	CL118	153	SAE-1	
	2.8 V6	01.91 - 10.96	110	2849	6	Z7W 717/Z7W 712/Z7W 713	CL118	153	SAE-1	
	Espace III (JE0_)	2.0	11.96 - 10.00	84	1998	4	F3R 769/_ 728/_ 742/_ 729/_ 768	CL124	157	SAE-2
2.0		04.97 - 10.00	84	1998	4	F3R 769/_ 728/_ 742/_ 729/_ 768	CL123	156	PIN-2	
2.0		09.01 - 10.02	102	1998	4	F4R 701/F4R 700	CL100	144	pencil	
2.0 16V		10.98 - 10.02	103	1998	4	F4R 701/F4R 700	CL100	144	pencil	
3.0		11.96 - 10.98	123	2963	6	Z7X 775	CL124	157	SAE-2	
							CL125	157	SAE-2	
	3.0 V6 24V	10.98 - 10.02	140	2946	6	L7X 727	CL135	159	pencil	
Espace IV (JK0/1_)	2.0	11.02 -	100	1998	4	F4R 790/F4R 792	CL100	144	pencil	
	2.0	04.05 -	125	1998	4	F4R 897/F4R 796/F4R 896/F4R 797	CL100	144	pencil	
	2.0 Turbo	11.02 -	120	1998	4	F4R 796/F4R 795/F4R 794/F4R 797	CL100	144	pencil	
Fluence (L30_)	1.6 16V	02.10 -	81	1598	4	K4M 839/K4M 838	CL100	144	pencil	
	2.0 16V	02.10 -	103	1998	4	M4R 751/M4R 714	CL153	163	pencil	
Fuego (136_)	2.0 TX/GTX	10.80 - 10.85	81	1995	4	J6R 713/_ 726/_ 715/_ 710/_ 712	CL146	161	DIN-1	
Grand Scénic II (JM0/1_)	1.6	04.04 -	83	1598	4	K4M 761/K4M 782	CL100	144	pencil	
	2.0	04.04 -	99	1998	4	F4R 771/F4R 770	CL100	144	pencil	
	2.0	04.04 -	120	1998	4	F4R 776	CL100	144	pencil	
Grand Scénic III (JZ0/1_)	1.4 16V	02.09 -	96	1397	4	H4J 700	CL152	163	pencil	
	1.6 16V	02.09 -	81	1598	4	K4M 9 766	CL100	144	pencil	
	2.0 16V	02.09 -	103	1997	4	M4R F 713	CL153	163	pencil	
Kangoo (KC0/1_)	1.2	08.97 -	43	1149	4	D7F 710/_ 744/_ 722/_ 720/_ 726/_ 746	CL116	152	PIN-4	
	1.2	03.03 -	43	1149	4	D7F 710/_ 744/_ 722/_ 720/_ 726/_ 746	CL131	158	PIN-4	
	1.2 16V	06.01 -	55	1149	4	D4F 714/D4F 716/D4F 712	CL134	159	cables	
							CL150	162	PIN-1	
	1.2 16V	06.04 -	55	1149	4	D4F 714/D4F 716/D4F 712	CL130	158	cables	
	1.2 16V	06.07 -	55	1149	4	D4F 714/D4F 716/D4F 712	CL149	162	cables	
	1.4	08.97 -	55	1390	4	E7J 634/_ 635/_ 780/K7J 700/_ 701	CL102	146	PIN-2	
							CL128	157	PIN-2	
1.6 16V	06.01 -	70	1598	4	K4M 750/K4M 753/K4M 752	CL100	144	pencil		
1.6 16V 4x4	10.01 -	70	1598	4	K4M 750/K4M 753/K4M 752	CL100	144	pencil		
Kangoo (KW0/1_)	1.6 16V	02.08 -	78	1598	4	K4M 830	CL100	144	pencil	
	1.6 16V Hi-Flex	02.08 -	78	1598	4	K4M 830	CL100	144	pencil	
Kangoo BE BOP (KW0/1_)	1.6	02.09 -	78	1598	4	K4M 830	CL100	144	pencil	
Kangoo Express (FC0/1_)	1.2	08.97 -	43	1149	4	D7F 710/_ 744/_ 722/_ 720/_ 726/_ 746	CL116	152	PIN-4	
	1.2	07.98 - 07.01	44	1149	4	D7F 766/D7F 764	CL116	152	PIN-4	
	1.2	03.03 -	43	1149	4	D7F 710/_ 744/_ 722/_ 720/_ 726/_ 746	CL131	158	PIN-4	
	1.2 16V	10.01 -	55	1149	4	D4F 714/D4F 712	CL134	159	cables	
							CL150	162	PIN-1	
	1.2 16V	06.04 -	55	1149	4	D4F 714/D4F 712	CL130	158	cables	
	1.2 16V	06.07 -	55	1149	4	D4F 714/D4F 712	CL149	162	cables	
	1.4	08.97 -	55	1390	4	E7J 634/K7J 701/E7J 635/E7J 780	CL102	146	PIN-2	
							CL128	157	PIN-2	
	1.6 16V	10.01 -	70	1598	4	K4M 752	CL100	144	pencil	
	1.6 16V 4x4	10.01 -	70	1598	4	K4M 750/K4M 753/K4M 752	CL100	144	pencil	
Kangoo Express (FW0/1_)	1.6 16V	02.08 -	78	1598	4	K4M 830	CL100	144	pencil	
	1.6 16V LPG	02.08 -	72	1598	4	K4M 834	CL100	144	pencil	
Laguna Coupe (DT0/1)	2.0 16V Turbo	09.08 -	125	1998	4	F4Rt 811/F4R 811	CL100	144	pencil	
	2.0 GT	03.08 -	150	1998	4	F4Rt 800	CL100	144	pencil	
Laguna Grandtour (K56_)	1.6 16V	11.97 - 03.01	79	1598	4	K4M 720/K4M 724	CL100	144	pencil	
	1.8	09.95 - 03.01	66	1783	4	F3P 678/F3P 670	CL124	157	SAE-2	

CAR	MODEL	YEAR	kW	ccm	CYL	MOTOR	COILTYPE	PAGE	INFO	
RENAULT										
Laguna Grandtour (K56_)	1.8	04.97 - 03.01	66	1783	4	F3P 678/F3P 670	CL123	156	PIN-2	
	1.8 16V	04.98 - 03.01	88	1783	4	F4P 760	CL100	144	pencil	
	2.0	09.95 - 03.01	83	1998	4	F3R 722/F3R 723	CL118	153	SAE-1	
	2.0 16V	09.95 - 03.01	102	1948	4	N7Q 700/N7Q 704	CL136	160	SAE-2	
							CL137	160	SAE-2	
	2.0 16V	09.99 - 03.01	103	1998	4	F4R 780	CL100	144	pencil	
3.0		02.96 - 03.01	123	2963	6	Z7X 765	CL124	157	SAE-2	
							CL125	157	SAE-2	
							CL126	157	SAE-2	
Laguna I (B56_ 556_)	1.6 16V	11.97 - 03.01	79	1598	4	K4M 720/K4M 724	CL100	144	pencil	
	1.8	11.93 - 03.01	66	1794	4	F3P 720/F3P 724	CL118	153	SAE-1	
	1.8	08.95 - 03.01	66	1783	4	F3P 678/F3P 670	CL124	157	SAE-2	
	1.8	04.97 - 03.01	66	1783	4	F3P 678/F3P 670	CL123	156	PIN-2	
	1.8	06.95 - 04.97	69	1783	4	F3P 674	CL124	157	SAE-2	
	1.8	04.97 - 02.01	69	1783	4	F3P 674	CL123	156	PIN-2	
	1.8 16V	04.98 - 03.01	88	1783	4	F4P 760	CL100	144	pencil	
	2.0	11.93 - 03.01	83	1998	4	F3R 722/F3R 723	CL118	153	SAE-1	
	2.0	06.95 - 04.97	84	1998	4	F3R 768	CL124	157	SAE-2	
	2.0	04.97 - 02.01	84	1998	4	F3R 768	CL123	156	PIN-2	
	2.0	06.95 - 02.01	103	1948	4	N7Q 700/N7Q 704	CL136	160	SAE-2	
							CL137	160	SAE-2	
	2.0	03.99 - 03.01	80	1998	4	F3R 611	CL123	156	PIN-2	
	2.0	09.99 - 02.01	102	1998	4	F4R 780	CL136	160	SAE-2	
							CL137	160	SAE-2	
	2.0 16V	06.95 - 03.01	102	1948	4	N7Q 700/N7Q 704	CL136	160	SAE-2	
							CL137	160	SAE-2	
	2.0 16V	09.99 - 03.01	103	1998	4	F4R 780	CL100	144	pencil	
	3.0	11.93 - 03.01	123	2963	6	Z7X 765/Z7X 760	CL124	157	SAE-2	
							CL125	157	SAE-2	
							CL126	157	SAE-2	
	3.0 24V	03.97 - 03.01	140	2946	6	L7X 700/L7X 701	CL124	157	SAE-2	
Laguna II (BG0/1_)	1.6 16V	03.01 -	79	1598	4	K4M 711/K4M 714/K4M 710	CL100	144	pencil	
	1.6 16V	02.05 -	82	1598	4	K4M 716	CL100	144	pencil	
	1.8 16V	03.01 -	86	1783	4	F4P 770	CL100	144	pencil	
	1.8 16V	03.01 -	89	1783	4	F4P 774/F4P 770	CL100	144	pencil	
	1.8 16V	03.01 -	85	1783	4	F4P 774/_770/_773/_771/_775	CL100	144	pencil	
	1.8 16V	03.01 -	88	1783	4	F4P 770/F4P 773	CL100	144	pencil	
	2.0 16V	08.02 -	99	1998	4	F4R 713/F4R 715/F4R 712/F4R 714	CL100	144	pencil	
	2.0 16V	01.05 -	125	1998	4	F4R 787/F4R 786/F4R 784	CL100	144	pencil	
	2.0 16V	01.05 -	150	1998	4	F4R 887/F4R 886	CL100	144	pencil	
	2.0 16V IDE	04.01 -	103	1998	4	F5R 701/F5R 700	CL131	158	PIN-4	
	2.0 16V Turbo	01.03 -	120	1998	4	F4R 764/F4R 787/F4R 786/F4R 765	CL100	144	pencil	
	3.0 V6 24V	03.01 -	152	2946	6	L7X 731	CL135	159	pencil	
	Laguna II Grandtour (KG0/1_)	1.6 16V	03.01 -	79	1598	4	K4M 711/K4M 714/K4M 710	CL100	144	pencil
		1.6 16V	02.05 -	82	1598	4	K4M 716	CL100	144	pencil
1.8 16V		03.01 -	85	1783	4	F4P 774/_770/_773/_771/_775	CL100	144	pencil	
1.8 16V		03.01 -	86	1783	4	F4P 770	CL100	144	pencil	
1.8 16V		03.01 -	88	1783	4	F4P 770/F4P 773	CL100	144	pencil	
1.8 16V		03.01 -	89	1783	4	F4P 774/F4P 770	CL100	144	pencil	
2.0 16V		08.02 -	99	1998	4	F4R 713/F4R 715/F4R 712/F4R 714	CL100	144	pencil	
2.0 16V		01.05 -	125	1998	4	F4R 787/F4R 786/F4R 784	CL100	144	pencil	
2.0 16V		01.05 -	150	1998	4	F4R 887/F4R 886	CL100	144	pencil	
2.0 16V IDE		04.01 -	103	1998	4	F5R 701/F5R 700	CL131	158	PIN-4	
2.0 16V Turbo		01.03 -	120	1998	4	F4R 764/F4R 787/F4R 786/F4R 765	CL100	144	pencil	
3.0 V6 24V		03.01 -	152	2946	6	L7X 731	CL135	159	pencil	
Laguna III (BT0/1)		1.6 16V	10.07 -	81	1598	4	K4M 824	CL100	144	pencil
		2.0 16V	10.07 -	103	1998	4	M4R 704	CL554	201	pencil
	2.0 16V Turbo	10.07 -	125	1998	4	F4R 811	CL100	144	pencil	
	2.0 GT	03.08 -	150	1998	4	F4R 800	CL100	144	pencil	
Laguna III Grandtour (KT0/1)	1.6 16V	10.07 -	81	1598	4	K4M 824	CL100	144	pencil	

CAR	MODEL	YEAR	kW	ccm	CYL	MOTOR	COILTYPE	PAGE	INFO
RENAULT									
Laguna III Grandtour (KT0/1)	2.0 16V	10.07 -	103	1998	4	M4R 704	CL554	201	pencil
	2.0 16V Turbo	10.07 -	125	1998	4	F4R 811	CL100	144	pencil
	2.0 GT	03.08 -	150	1998	4	F4R 800	CL100	144	pencil
Latitude	2.0 16V	02.11 -	103	1997	4	M4R 746	CL153	163	pencil
Logan (LS_)	1.4	09.04 -	55	1390	4	K7J 710	CL116	152	PIN-4
	1.6	09.04 -	64	1598	4	K7M 710	CL116	152	PIN-4
	1.6	04.07 -	77	1598	4	K4M 690	CL100	144	pencil
Logan Combi (KS_)	1.4	10.07 -	55	1390	4	K7J 710	CL116	152	PIN-4
	1.6	04.07 -	64	1598	4	K7M 710	CL116	152	PIN-4
	1.6	04.07 -	77	1598	4	K4M 697	CL100	144	pencil
Master I 28-35 Bus (T_)	2.0	10.86 - 07.98	58	1995	4	J5R 718	CL118	153	SAE-1
							CL146	161	DIN-1
Master I Flatbed (P_)	2.0	10.86 - 07.98	58	1995	4	J5R 728	CL146	161	DIN-1
	2.0	11.89 - 07.93	60	1995	4	J5R 718	CL146	161	DIN-1
Master I 28-35 Van (T_)	2.0	10.86 - 07.98	58	1995	4	J5R 718	CL118	153	SAE-1
							CL146	161	DIN-1
Megane I (BA0/1_)	1.4 16V	03.99 -	70	1390	4	K4J 714/K4J 750	CL100	144	pencil
	1.4 e	01.96 - 02.99	55	1390	4	E7J 626/E7J 764	CL116	152	PIN-4
	1.4 e	02.99 -	55	1390	4	E7J 626/E7J 764	CL118	153	SAE-1
	1.4 Eco	01.96 - 03.99	52	1390	4	E7J 624	CL118	153	SAE-1
	1.6 16V	03.99 -	79	1598	4	K4M 704/K4M 700/_ 708/_ 701	CL100	144	pencil
	1.6 e	01.96 - 03.97	66	1598	4	K7M 702/K7M 703/K7M 790	CL101	145	SAE-2
							CL103	146	SAE-2
	1.6 e	04.97 - 03.99	66	1598	4	K7M 702/K7M 703/K7M 790	CL102	146	PIN-2
							CL128	157	PIN-2
	1.6 e	01.96 - 03.99	66	1598	4	K7M 702/K7M 703/K7M 790	CL116	152	PIN-4
	1.6 i	01.96 - 03.97	55	1598	4	K7M 720	CL101	145	SAE-2
							CL103	146	SAE-2
	1.6 i	04.97 - 03.99	55	1598	4	K7M 720	CL102	146	PIN-2
							CL128	157	PIN-2
	1.8 16V	01.01 -	85	1783	4	F4P 722/F4P 720	CL100	144	pencil
2.0 16V	07.96 -	108	1998	4	F7R 710/F7R 714	CL123	156	PIN-2	
2.0 i	01.96 - 03.97	84	1998	4	F3R 751/F3R 750	CL124	157	SAE-2	
2.0 i	03.97 - 02.99	84	1998	4	F3R 751/F3R 750	CL123	156	PIN-2	
2.0 i	03.99 -	80	1998	4	F3R 751/F3R 750	CL123	156	PIN-2	
Megane I (EZ0/1_)	1.4 Tce	06.10 -	96	1397	4	H4J 700	CL152	163	pencil
	1.6 16V	06.10 -	81	1598	4	K4M 858/K4M 866	CL100	144	pencil
	2.0 CVT	06.10 -	103	1997	4	M4R F 711/M4R F 713	CL153	163	pencil
	2.0 Tce	06.10 -	132	1998	4	F4R 870/F4R 872	CL100	144	pencil
Megane I Cabriolet (EA0/1_)	1.4 16V	03.99 -	70	1390	4	K4J 714/K4J 750	CL100	144	pencil
	1.6 16V	03.99 -	79	1598	4	K4M 700/K4M 708/K4M 701	CL100	144	pencil
	1.6 e	10.96 - 03.97	66	1598	4	K7M 702/K7M 703	CL101	145	SAE-2
							CL103	146	SAE-2
	1.6 e	04.97 - 03.99	66	1598	4	K7M 702/K7M 703	CL102	146	PIN-2
							CL128	157	PIN-2
	1.6 e	10.96 - 03.99	66	1598	4	K7M 702/K7M 703	CL116	152	PIN-4
	2.0	04.97 -	84	1998	4	F3R 750	CL123	156	PIN-2
	2.0 16V	01.02 -	102	1998	4	F4R 746/F4R 770	CL100	144	pencil
	2.0 16V IDE	11.99 -	103	1998	4	F5R 740	CL116	152	PIN-4
	2.0 i	04.97 -	84	1998	4	F3R 750	CL124	157	SAE-2
2.0 i	03.99 -	80	1998	4	F3R 791/F3R 796	CL123	156	PIN-2	
						CL124	157	SAE-2	
Megane I Classic (LA0/1_)	1.4 16V	03.99 -	70	1390	4	K4J 714/K4J 750	CL100	144	pencil
	1.6 16V	03.99 -	79	1598	4	K4M 700/K4M 708/K4M 701	CL100	144	pencil
	1.6 e	09.96 - 03.97	66	1598	4	K7M 702/K7M 703/K7M 790	CL101	145	SAE-2
							CL103	146	SAE-2
	1.6 e	04.97 - 03.99	66	1598	4	K7M 702/K7M 703/K7M 790	CL102	146	PIN-2
							CL128	157	PIN-2
1.6 e	09.96 - 03.99	66	1598	4	K7M 702/K7M 703/K7M 790	CL116	152	PIN-4	

CAR	MODEL	YEAR	kW	ccm	CYL	MOTOR	COILTYPE	PAGE	INFO
RENAULT									
Megane I Classic (LA0/1_)	1.6 i	03.97 - 03.99	55	1598	4	K7M 720	CL101	145	SAE-2
							CL103	146	SAE-2
	1.8 16V	01.01 -	85	1783	4	F4P 722/F4P 720	CL100	144	pencil
	2.0 i	04.97 -	84	1998	4	F3R 791/_751/_797/_798/_796	CL124	157	SAE-2
	2.0 i	09.98 -	84	1998	4	F3R 791/_751/_797/_798/_796	CL123	156	PIN-2
Megane I Coach (DA0/1_)	1.4 16V	03.99 - 08.03	70	1390	4	K4J 714/K4J 750	CL100	144	pencil
	1.6 16V	03.99 - 08.03	79	1598	4	K4M 700/K4M 708/K4M 701	CL100	144	pencil
	1.6 e	03.96 - 03.97	66	1598	4	K7M 702/K7M 703	CL101	145	SAE-2
							CL103	146	SAE-2
	1.6 e	04.97 - 03.99	66	1598	4	K7M 702/K7M 703	CL102	146	PIN-2
							CL128	157	PIN-2
	1.6 e	03.96 - 03.99	66	1598	4	K7M 702/K7M 703	CL116	152	PIN-4
	2.0 16V	01.02 - 08.03	102	1998	4	F4R 746	CL100	144	pencil
	2.0 16V IDE	11.99 - 08.03	103	1998	4	F5R 740	CL116	152	PIN-4
	2.0 i	04.97 - 08.03	84	1998	4	F3R 751/F3R 750	CL124	157	SAE-2
2.0 i	09.98 - 08.03	84	1998	4	F3R 751/F3R 750	CL123	156	PIN-2	
Megane I Grandtour (KA0/1_)	1.4 16V	03.99 -	70	1390	4	K4J 714/K4J 750	CL100	144	pencil
	1.4 e	03.99 -	55	1390	4	E7J 626	CL116	152	PIN-4
	1.6 16V	03.99 -	79	1598	4	K4M 704/K4M 700/K4M 708/K4M 701	CL100	144	pencil
	1.6 e	03.99 -	66	1598	4	K7M 702/K7M 703	CL116	152	PIN-4
	1.8 16V	01.01 -	85	1783	4	F4P 722/F4P 720	CL100	144	pencil
Megane II (BM0/1_, CM0/1_)	1.4 16V	11.02 -	72	1390	4	K4J 740/K4J 730	CL100	144	pencil
	1.4 16V	10.03 -	60	1390	4	K4J 732	CL100	144	pencil
	1.6	06.05 -	77	1598	4	K4M 788	CL100	144	pencil
	1.6 16V	11.02 -	83	1598	4	K4M 760	CL100	144	pencil
	1.6 16V	01.07 -	82	1598	4	K4M 812/K4M 760/K4M 813	CL100	144	pencil
	1.6 Flexfuel	01.07 -	77	1598	4	K4M 788	CL100	144	pencil
	2.0	08.06 -	169	1998	4	F4R 774	CL100	144	pencil
	2.0 16V	11.02 -	99	1998	4	F4R 770	CL100	144	pencil
	2.0 16V Turbo	05.04 -	120	1998	4	F4R 776	CL100	144	pencil
	2.0 Sport	05.04 -	165	1998	4	F4R 774/F4Rt 774	CL100	144	pencil
Megane II Combi (KM0/1_)	1.4	08.03 -	72	1390	4	K4J 740/K4J 730	CL100	144	pencil
	1.6	08.03 -	83	1598	4	K4M 760/K4M 761	CL100	144	pencil
	1.6 16V	01.07 -	82	1598	4	K4M 812/_760/_761/_813/_D 812	CL100	144	pencil
	1.6 16V Hi-Flex	02.08 -	77	1598	4	K4M 762	CL100	144	pencil
	2.0	08.03 -	99	1998	4	F4R 771/F4R 770	CL100	144	pencil
Megane II Coupé-Cabrio (EM0/1_)	1.6	09.03 -	83	1598	4	K4M 760/K4M 761	CL100	144	pencil
	1.6 16V	01.07 -	82	1598	4	K4M 812/_760/_761/_813/_D 812	CL100	144	pencil
	2.0	09.03 -	99	1998	4	F4R 771/F4R 770	CL100	144	pencil
	2.0 16V Turbo	05.04 -	120	1998	4	F4R 776	CL100	144	pencil
Megane II Sedan (LM0/1_)	1.4	09.03 -	60	1390	4	K4J 732	CL100	144	pencil
	1.4	09.03 -	72	1390	4	K4J 740/K4J 730	CL100	144	pencil
	1.6	09.03 -	83	1598	4	K4M 760/K4M 761	CL100	144	pencil
	1.6	05.05 -	77	1598	4	K4M 762	CL100	144	pencil
	1.6 16V	01.07 -	82	1598	4	K4M 812/K4M 813/K4M D 812	CL100	144	pencil
	2.0	09.03 -	99	1998	4	F4R 771/F4R 770	CL100	144	pencil
Megane III CC (BZ0_)	1.4 Tce	04.09 -	96	1397	4	H4J 700	CL152	163	pencil
	1.6 16V	11.08 -	74	1598	4	K4M P 848	CL100	144	pencil
	1.6 16V	11.08 -	81	1598	4	K4M 858	CL100	144	pencil
	1.6 16V Bifuel	11.08 -	81	1598	4	K4M 866	CL100	144	pencil
	2.0 CVT	02.09 -	103	1997	4	M4R 711	CL153	163	pencil
	2.0 Tce	11.08 -	132	1998	4	F4R 870	CL100	144	pencil
Megane III Coupe (DZ0/1_)	1.4 Tce	04.09 -	96	1397	4	H4J 700	CL152	163	pencil
	1.6 16V	11.08 -	74	1598	4	K4M P 848	CL100	144	pencil
	1.6 16V	11.08 -	81	1598	4	K4M 858/K4M 866	CL100	144	pencil
	1.6 16V Bifuel	11.08 -	81	1598	4	K4M 866	CL100	144	pencil
	2.0 CVT	05.09 -	103	1997	4	M4R 711/M4R F 713	CL153	163	pencil
	2.0 Tce	11.08 -	132	1998	4	F4R 870	CL100	144	pencil
Megane III Grandtour (KZ0/1)	2.0 Tce	05.09 -	184	1998	4	F4R 874	CL100	144	pencil
	1.4 Tce	05.09 -	96	1397	4	H4J 700	CL152	163	pencil

CAR	MODEL	YEAR	KW	CCM	CYL	MOTOR	COILTYPE	PAGE	INFO
RENAULT									
Megane III Grandtour (KZ0/1)	1.6 16V	05.09 -	74	1598	4	K4M P 848	CL100	144	pencil
	1.6 16V	05.09 -	81	1598	4	K4M 858	CL100	144	pencil
	1.6 16V Bifuel	11.08 -	81	1598	4	K4M 866	CL100	144	pencil
	2.0 CVT	05.09 -	103	1997	4	M4R 711/M4R F 713	CL153	163	pencil
	2.0 Tce	11.08 -	132	1998	4	F4R 870/F4R 872	CL100	144	pencil
Megane III Sedan	1.6 16V	06.09 -	82	1598	4		CL100	144	pencil
Megane Scenic (JA0/1_)	1.4 i	01.97 - 09.99	55	1390	4	E7J 764	CL118	153	SAE-1
	1.6 e	01.97 - 03.97	66	1598	4	K7M 702/K7M 703	CL101	145	SAE-2
							CL103	146	SAE-2
	1.6 e	04.97 - 09.99	66	1598	4	K7M 702/K7M 703	CL102	146	PIN-2
							CL128	157	PIN-2
	1.6 e	09.97 - 09.99	66	1598	4	K7M 702/K7M 703	CL116	152	PIN-4
	1.6 i	01.97 - 03.97	55	1598	4	K7M 720	CL101	145	SAE-2
							CL103	146	SAE-2
	1.6 i	04.97 - 09.99	55	1598	4	K7M 720	CL102	146	PIN-2
							CL128	157	PIN-2
	1.6 i	09.97 - 09.99	55	1598	4	K7M 720	CL116	152	PIN-4
	2.0 i	01.97 - 09.99	84	1998	4	F3R 751/F3R 750	CL123	156	PIN-2
							CL124	157	SAE-2
	2.0 i	01.99 - 09.99	80	1998	4	F3R 796	CL123	156	PIN-2
							CL124	157	SAE-2
Modus (F/JP0_)	1.2	05.05 -	48	1149	4	D4F 740	CL134	159	cables
	1.2	12.04 -	55	1149	4	D4F 740	CL134	159	cables
	1.2	01.08 -	55	1149	4	D4F 740	CL149	162	cables
	1.2	12.04 -	58	1149	4	D4F 764	CL134	159	cables
	1.2 16V	05.07 -	74	1149	4	D4F 784	CL116	152	PIN-4
	1.2 16V Hi-Flex	10.08 -	55	1149	4	D4F 740	CL149	162	cables
							CL150	162	PIN-1
	1.4	12.04 -	72	1390	4	K4J 770	CL100	144	pencil
	1.6	12.04 -	65	1598	4	K4M 792/K4M 794	CL100	144	pencil
	1.6	12.04 -	82	1598	4	K4M 790/K4M 791	CL100	144	pencil
Rapid Van (F40_, G40_)	1.2	09.91 - 03.98	40	1239	4	C3G 712/C3G 710	CL122	156	SAE-1
	1.4	07.85 - 08.91	43	1397	4	C1J 780/C1J 768	CL118	153	SAE-1
	1.4	03.86 - 08.91	44	1397	4	C2J 784	CL118	153	SAE-1
	1.4 cat	08.88 - 03.98	43	1397	4	C3J 762/C3J 700/C3J 702/C3J 760	CL118	153	SAE-1
Safrane I (B54_)	2.0 12V	04.92 - 07.96	97	1995	4	J7R 735/J7R 734	CL118	153	SAE-1
	2.2	04.92 - 07.96	79	2165	4	J7T 762	CL118	153	SAE-1
	2.2	04.92 - 07.96	101	2165	4	J7T 760/J7T 761	CL118	153	SAE-1
	3.0 Biturbo 4x4	02.93 - 07.96	193	2963	6	Z7X 726	CL118	153	SAE-1
	3.0 V6	12.92 - 07.96	123	2963	6	Z7X 721/Z7X 723/Z7X 722	CL118	153	SAE-1
	3.0 V6 4x4	12.92 - 07.96	123	2963	6	Z7X 721/Z7X 723/Z7X 722	CL118	153	SAE-1
Safrane II (B54_)	2.0 16V	07.96 - 12.00	100	1948	4	N7Q 710/N7Q 711	CL136	160	SAE-2
							CL137	160	SAE-2
	2.5 20V	07.96 - 12.00	121	2435	5	N7U 700/N7U 701	CL119	154	PIN-1
	2.9 24V	03.99 - 12.00	140	2946	6	L7X 713	CL118	153	SAE-1
	3.0 V6	07.96 - 12.00	123	2963	6	Z7X 721/Z7X 723/Z7X 722	CL118	153	SAE-1
Scénic I (JA0/1_)	1.4 16V	09.99 - 08.03	70	1390	4	K4J 714/K4J 750	CL100	144	pencil
	1.6 16V	09.99 - 08.03	79	1598	4	K4M 704/K4M 700/K4M 708/K4M 701	CL100	144	pencil
	1.8 16V	01.01 - 08.03	85	1783	4	F4P 722/F4P 720	CL100	144	pencil
	2.0 16V	07.00 - 08.03	102	1998	4	F4R 741/F4R 740/F4R 746	CL100	144	pencil
	2.0 16V	09.99 - 08.03	103	1998	4	F4R 741/F4R 740/F4R 744	CL100	144	pencil
	2.0 16V RX4	06.00 - 08.03	102	1998	4	F4R 746/F4R 744	CL100	144	pencil
Scénic II (JM0/1_)	1.4	06.03 -	72	1390	4	K4J 740/K4J 730	CL100	144	pencil
	1.6	06.03 -	83	1598	4	K4M 761/K4M 782	CL100	144	pencil
	1.6 16V	01.07 -	82	1598	4	K4M C 813/K4M 812/K4M 9 766	CL100	144	pencil
	2.0	06.03 -	99	1998	4	F4R 771/F4R 770	CL100	144	pencil
	2.0 16V Turbo	05.04 -	120	1998	4	F4R 776	CL100	144	pencil
Scénic III (JZ0/1_)	1.4 16V	02.09 -	96	1397	4	H4J 700	CL152	163	pencil
	1.6 16V	02.09 -	81	1598	4	K4M 9 766	CL100	144	pencil
	1.6 E85	02.09 -	81	1598	4	K4M 866	CL100	144	pencil

CAR	MODEL	YEAR	kW	ccm	CYL	MOTOR	COILTYPE	PAGE	INFO
RENAULT									
Scénic III (JZ0/1_)	2.0 16V	02.09 -	103	1997	4	M4R F 713	CL153	163	pencil
Super 5 (B/C40_)	1.4	10.84 - 06.88	43	1397	4	C1J 780/C1J 768	CL118	153	SAE-1
							CL146	161	DIN-1
	1.4	10.84 - 07.89	52	1397	4	C2J 789/_ 700/_ 780/_ 781/_ 788/_ 798	CL118	153	SAE-1
	1.4	06.87 - 08.90	44	1397	4	C2J 784	CL118	153	SAE-1
	1.4	06.87 - 07.89	49	1397	4	C2J 782	CL118	153	SAE-1
	1.4 cat	10.85 - 12.96	43	1397	4	C3J 700/C3J 702/C3J 760	CL118	153	SAE-1
	1.4 Turbo	04.85 - 08.90	88	1397	4	C1J 784/C1J 782/C1J 788	CL118	153	SAE-1
	1.7	10.86 - 03.95	54	1721	4	F3N 716 /F3N 717	CL118	153	SAE-1
	1.7	06.87 - 03.95	64	1721	4	F2N 742/F2N 740	CL118	153	SAE-1
1.7 i	10.86 - 08.91	69	1721	4	F3N 722/F3N 702	CL118	153	SAE-1	
Thalia (LBO/1/2_)	1.2 16V	04.02 -	55	1149	4	D4F 712	CL130	158	cables
	1.4	08.00 -	55	1390	4	K7J 700	CL116	152	PIN-4
	1.4 16V	08.00 -	72	1390	4	K4J 712	CL100	144	pencil
Trafic Bus (T5, T6, T7)	1.7	06.86 - 04.89	50	1721	4	F1N 724	CL118	153	SAE-1
	2.0	06.86 - 04.89	59	1995	4	J5R 722/J5R 716/J5R 726	CL118	153	SAE-1
							CL146	161	DIN-1
	2.0 4x4	06.86 - 04.89	59	1995	4	J5R 722/J5R 716/J5R 726	CL118	153	SAE-1
						CL146	161	DIN-1	
Trafic Bus (TXW)	1.7	08.92 - 08.94	50	1721	4	F1N 724	CL118	153	SAE-1
	2.0	05.89 - 08.90	59	1995	4	J5R 726	CL118	153	SAE-1
	2.2	05.89 - 06.94	70	2165	4	J7T 780	CL118	153	SAE-1
	2.2	06.94 - 10.97	74	2165	4	J7T 600	CL118	153	SAE-1
	2.2 4x4	05.89 - 06.94	70	2165	4	J7T 780	CL118	153	SAE-1
							CL118	153	SAE-1
Trafic II Bus (JL)	2.0	03.01 -	88	1998	4	F4R 722/F4R 720	CL100	144	pencil
	2.0 16V	08.06 -	86	1998	4	F4R 820	CL100	144	pencil
Trafic Flatbed (P6)	1.7	06.86 - 04.89	50	1721	4	F1N 722	CL118	153	SAE-1
	2.0	03.80 - 04.89	59	1995	4	J5R 726	CL118	153	SAE-1
	2.0	03.80 - 12.86	63	1995	4	829 721/829 720	CL146	161	DIN-1
	2.0 4x4	05.85 - 02.89	60	1995	4	J5R 716	CL146	161	DIN-1
Trafic Flatbed (PXX)	1.7	05.89 - 08.94	50	1721	4	F1N 722	CL118	153	SAE-1
	2.0	03.89 - 12.91	60	1995	4	J5R 726	CL118	153	SAE-1
	2.0 RWD	05.89 - 10.97	59	1995	4	J5R 726	CL118	153	SAE-1
	2.2	05.89 - 06.94	70	2165	4	J7T 780	CL118	153	SAE-1
	2.2	09.94 - 04.98	74	2165	4	J7T 600	CL118	153	SAE-1
	2.2 4x4	09.94 - 04.98	74	2165	4	J7T 600	CL118	153	SAE-1
Trafic II Flatbed (EL)	2.0	03.01 -	88	1998	4	F4R 720	CL100	144	pencil
Trafic Van (T1, T3, T4)	1.7	06.86 - 04.89	50	1721	4	F1N 724	CL118	153	SAE-1
	2.0	06.86 - 04.89	59	1995	4	J5R 722/J5R 716/J5R 726	CL118	153	SAE-1
							CL146	161	DIN-1
	2.0 4x4	06.86 - 04.89	59	1995	4	J5R 722/J5R 716/J5R 726	CL118	153	SAE-1
						CL146	161	DIN-1	
Trafic Van (TXX)	1.7	08.92 - 08.94	50	1721	4	F1N 720	CL118	153	SAE-1
	2.0	05.89 - 08.90	59	1995	4	J5R 716	CL118	153	SAE-1
	2.2	05.89 - 06.94	70	2165	4	J7T 780	CL118	153	SAE-1
	2.2 4x4	05.89 - 06.94	70	2165	4	J7T 780	CL118	153	SAE-1
	2.2 4x4	06.94 - 10.97	74	2165	4	J7T 600	CL118	153	SAE-1
							CL118	153	SAE-1
Trafic II Van (FL)	2.0	03.01 -	88	1998	4	F4R 722/F4R 720	CL100	144	pencil
	2.0 16V	08.06 -	86	1998	4	F4R 820	CL100	144	pencil
Twingo (C06_)	1.2	03.93 - 10.96	40	1239	4	C3G 702/C3G 700	CL122	156	SAE-1
	1.2	05.96 - 10.98	40	1149	4	D7F 700/D7F 701	CL131	158	PIN-4
	1.2	10.98 -	40	1149	4	D7F 700/D7F 701	CL116	152	PIN-4
	1.2	07.96 - 10.98	43	1149	4	D7F 700/_ 702/_ 704_ 701/_ 703	CL131	158	PIN-4
	1.2	07.96 - 06.07	43	1149	4	D7F 700/_ 702/_ 704_ 701/_ 703	CL116	152	PIN-4
	1.2 16V	01.01 -	55	1149	4	D4F 704/D4F 702	CL130	158	cables
							CL150	162	PIN-1
1.2 16V	08.04 -	44	1149	4	D4F 708	CL149	162	cables	
Twingo (CNO_)	1.2	03.07 -	43	1149	4	D7F 800	CL116	152	PIN-4
	1.2 16V	03.07 -	56	1149	4	D4F 772	CL149	162	cables
							CL150	162	PIN-1

CAR	MODEL	YEAR	kW	ccm	CYL	MOTOR	COILTYPE	PAGE	INFO
RENAULT									
Twingo (CNO_)	1.2 Turbo	03.07 -	74	1149	4	D4F 780	CL116	152	PIN-4
	1.6 RS	05.08 -	98	1598	4	K4M 854	CL116	152	PIN-4
Vel Satis (BJO_)	2.0 16V Turbo	06.02 -	120	1998	4	F4R 762/F4R 763	CL100	144	pencil
	2.0 16V Turbo	04.04 -	125	1998	4	F4R 766/F4R 767	CL100	144	pencil
	3.5 V6	06.02 -	177	3498	6	V4Y 701/V4Y 711	CL116	152	PIN-4
Wind	1.6	07.10 -	98	1598	4	K4M 854	CL100	144	pencil
ROVER									
111 C/L/S (XP)	1.1	03.90 - 12.98	44	1119	4	11 K2D/11 K2A	CL700	226	SAE
114 GTI/GT (XP)	1.4 16V cat	03.90 - 12.98	66	1396	4	14 K4C/14 K4D	CL700	226	SAE
114 S/L/GTA (XP)	1.4	03.90 - 12.98	55	1396	4	14 K2D/14 K2A	CL700	226	SAE
211 (RF)	1.1	01.98 - 03.00	44	1119	4	11 K2D	CL700	226	SAE
214 Cabriolet (XW)	1.4 i 16V	01.93 - 11.99	76	1396	4	14 K4F	CL711	228	pencil/DIN-1
214 i (RF)	1.4	11.95 - 03.00	55	1396	4	14 K2F	CL700	226	SAE
214 Si (RF)	1.4	11.95 - 03.00	76	1396	4	14 K4F	CL700	226	SAE
216 Cabriolet (XW)	1.6 i	01.92 - 11.99	90	1590	4	D 16 A8	CL500	188	DIN-1
	1.6 i 16V	01.96 - 11.99	82	1588	4	16 K4F	CL700	226	SAE
216 Coupe (XW)	1.6	10.92 - 06.99	90	1590	4	D 16 A8	CL500	188	DIN-1
216 GSi Hatchback (XW)	1.6	10.89 - 10.95	82	1590	4	D 16 Z2	CL500	188	DIN-1
216 GTi Hatchback (XW)	1.6	09.90 - 10.95	90	1590	4	D 16 A8	CL500	188	DIN-1
216 Si (RF)	1.6	11.95 - 03.00	82	1588	4	16 K4F	CL700	226	SAE
218 K Vi (RF)	1.8	11.95 - 03.00	107	1796	4	18 K4K	CL708	227	pencil/DIN-1
25 (RF)	1.4 16V	10.99 -	62	1396	4	14 K4M	CL700	226	SAE
	1.4 16V	10.99 -	76	1396	4	14 K4F	CL700	226	SAE
	1.6 16V	10.99 -	80	1588	4	16 K4F	CL700	226	SAE
	1.8 16V	10.99 -	85	1796	4	18 K4F	CL700	226	SAE
	1.8 16V	02.00 -	107	1796	4	18 K4K	CL708	227	pencil/DIN-1
400 Tourer (XW)	1.6 i	05.94 - 11.98	82	1590	4	D 16 Z2	CL700	226	SAE
	1.6 i	05.94 - 11.98	90	1590	4	D 16 A8	CL700	226	SAE
	1.8 i	06.96 - 11.98	107	1796	4	18 K4K	CL708	227	pencil/DIN-1
	2.0 i	05.94 - 11.98	100	1994	4	20 T4H	CL106	147	PIN-1
414 Hatchback (RT)	1.4	03.96 - 12.97	55	1396	4	14 K2F	CL700	226	SAE
414 Si (RT)	1.4	05.95 - 03.00	76	1396	4	14 K4F	CL700	226	SAE
414 Si Hatchback (RT)	1.4	05.95 - 03.00	76	1396	4	14 K4F	CL700	226	SAE
416 GSi (XW)	1.6	04.90 - 04.95	82	1590	4	D 16 Z2	CL500	188	DIN-1
416 GTi (XW)	1.6	04.90 - 04.95	90	1590	4	D 16 A8	CL500	188	DIN-1
416 Si (RT)	1.6	05.95 - 03.00	82	1588	4	16 K4F	CL700	226	SAE
	1.6	05.95 - 03.00	83	1590	4	D 16 Y2	CL700	226	SAE
416 Si Hatchback (RT)	1.6	05.95 - 03.00	82	1588	4	16 K4F	CL700	226	SAE
	1.6	06.95 - 03.00	83	1590	4	D 16 Y2	CL700	226	SAE
420 Si Lux (RT)	2.0	12.95 - 03.00	100	1994	4	20 T4H	CL106	147	PIN-1
420 Si Lux Hatchback (RT)	2.0	12.95 - 03.00	100	1994	4	20 T4H	CL106	147	PIN-1
45 (RT)	1.4	02.00 -	76	1396	4	14 K4F	CL711	228	pencil/DIN-1
	1.6	02.00 -	80	1588	4	16 K4F	CL711	228	pencil/DIN-1
	1.8	02.00 -	86	1796	4	18 K4F	CL708	227	pencil/DIN-1
45 Sedan (RT)	1.4	02.00 -	76	1396	4	14 K4F	CL711	228	pencil/DIN-1
	1.6	02.00 -	80	1588	4	16 K4F	CL711	228	pencil/DIN-1
	1.8	02.00 -	86	1796	4	18 K4F	CL708	227	pencil/DIN-1
	2.0 V6	02.00 -	110	1997	6	20 K4F	CL600	212	pencil
							CL700	226	SAE
618 i/Si (RH)	1.9	03.96 - 02.99	85	1850	4	F 18 A3	CL569	205	—
620 i (RH)	2.0	08.93 - 06.96	85	1997	4	F 20 Z2	CL501	188	—
620 Si (RH)	2.0	08.93 - 02.99	96	1997	4	F 20 Z1	CL501	188	—
620 Ti Vitesse (RH)	2.0	07.94 - 02.99	147	1994	4	20 T4G	CL501	188	—
623 Si (RH)	2.3	08.93 - 02.99	116	2259	4	H 23 A3	CL501	188	—
75 (RJ)	1.8	02.99 -	88	1796	4	K 1.8	CL711	228	pencil/DIN-1
	1.8 Turbo	05.03 -	110	1796	4		CL711	228	pencil/DIN-1
	2.0 V6	02.99 -	110	1997	6	20 K4F	CL600	212	pencil
	2.0 V6	02.99 - 06.04	110	1997	6	20 K4F	CL702	226	pencil
	2.5 V6	02.99 - 10.01	129	2497	6	KV 6	CL600	212	pencil

CAR	MODEL	YEAR	kW	ccm	CYL	MOTOR	COILTYPE	PAGE	INFO
ROVER									
75 (RJ)	2.5V6	10.01 -	130	2497	6	25 K4F	CL702	226	pencil
75 Tourer (RJ)	1.8	08.01 -	88	1796	4	K 1.8	CL711	228	pencil/DIN-1
	1.8Turbo	05.03 -	110	1796	4		CL711	228	pencil/DIN-1
	2.0V6	08.01 -	110	1997	6	20 K4F	CL702	226	pencil
	2.5V6	08.01 -	130	2497	6	KV 6	CL600	212	pencil
	2.5V6	08.01 - 04.05	130	2497	6	KV 6	CL702	226	pencil
820 I/SI (RS)	2.0	01.92 - 02.99	100	1996	4	20T4H	CL106	147	PIN-1
820 I/SI Hatchback (XS)	2.0	01.93 - 02.99	100	1996	4	20T4H	CL106	147	PIN-1
Cityrover	1.4	01.04 -	62	1396	4	14K2	CL107	147	PIN-1
Coupe	1.6 16V	03.96 - 11.99	82	1588	4	16 K4F	CL700	226	SAE
SAAB									
900 II	2.0-16 Turbo	07.93 - 02.98	136	1985	4	B204L	CL710	228	rail
	2.0 i	08.94 - 02.98	96	1985	4	B204I	CL710	228	rail
	2.3-16	07.93 - 02.98	110	2290	4	B234I	CL208	167	PIN-1
	2.5-24V6	07.93 - 02.98	125	2498	6	B258I	CL210	168	PIN-6
900 II Cabriolet	2.0-16 Turbo	12.93 - 02.98	136	1985	4	B204L	CL710	228	rail
	2.0 i	12.93 - 02.98	96	1985	4	B204I	CL710	228	rail
	2.3-16	12.93 - 02.98	110	2290	4	B234I	CL208	167	PIN-1
	2.5-24V6	12.93 - 02.98	125	2498	6	B258I	CL210	168	PIN-6
900 II Coupe	2.0-16 Turbo	12.93 - 02.98	136	1985	4	B204L	CL710	228	rail
	2.0 i	08.94 - 02.98	96	1985	4	B204I	CL710	228	rail
	2.0 i	12.93 - 07.94	98	1985	4	B206I	CL710	228	rail
	2.3-16	12.93 - 02.98	110	2290	4	B234I	CL208	167	PIN-1
	2.5-24V6	12.93 - 02.98	125	2498	6	B258I	CL210	168	PIN-6
9000	2.0-16	01.89 - 01.93	94	1985	4	B202I	CL710	228	rail
	2.0-16 CD	09.93 - 12.98	96	1985	4	B204I	CL710	228	rail
	2.0-16 CD	09.93 - 12.98	110	1985	4	B204S/B204E	CL710	228	rail
	2.0-16 Turbo	05.88 - 08.93	118	1985	4	B202XL	CL710	228	rail
	2.0-16 Turbo	04.85 - 12.91	129	1985	4	B202XL	CL710	228	rail
	2.0-16 Turbo CD	09.92 - 12.98	108	1985	4	B204E/B202S	CL710	228	rail
	2.0-16 Turbo CD	09.88 - 08.93	120	1985	4	B202XL	CL710	228	rail
	2.0-16 Turbo CD	09.89 - 12.98	136	1985	4	B202L	CL710	228	rail
	2.3-16 CD	08.89 - 12.98	107	2290	4	B234I	CL710	228	rail
	2.3-16 CD Turbo	07.90 - 12.98	147	2290	4	B234L	CL710	228	rail
	2.3-16 CDE	09.93 - 12.98	108	2290	4	B234I	CL710	228	rail
	2.3-16 CDE Eco-Power	09.93 - 12.98	125	2290	4	B234E	CL710	228	rail
	2.3-16 Turbo	09.90 - 08.93	143	2290	4	B234L	CL710	228	rail
9000 CC	2.0-16	12.85 - 12.88	92	1985	4	B202XI (KAT)	CL710	228	rail
	2.0-16	12.85 - 08.88	94	1985	4	B202XI	CL710	228	rail
	2.0-16 CS	01.89 - 12.98	94	1985	4	B202I	CL710	228	rail
	2.0-16 CS	09.93 - 12.98	96	1985	4	B204I	CL710	228	rail
	2.0-16 ND Turbo	09.93 - 12.98	110	1985	4	B204S/B204E/B202S	CL710	228	rail
	2.0-16 Turbo	09.84 - 08.93	118	1985	4	B202XL	CL710	228	rail
	2.0-16 Turbo	05.88 - 08.93	120	1985	4	B202XL	CL710	228	rail
	2.0-16 Turbo	09.84 - 12.91	129	1985	4	B202XL	CL710	228	rail
	2.0-16 Turbo CS	09.88 - 12.98	136	1985	4	B202L	CL710	228	rail
	2.3-16 Aero CS	02.93 - 12.98	162	2290	4	B234R	CL710	228	rail
	2.3-16 Aero CS	02.93 - 12.98	165	2290	4	B234R	CL710	228	rail
	2.3-16 CS	09.89 - 12.98	107	2290	4	B234I	CL710	228	rail
	2.3-16 CSE	09.93 - 12.98	108	2290	4	B234I	CL710	228	rail
	2.3-16 CSE Eco Power	09.93 - 12.98	125	2290	4	B234E	CL710	228	rail
	2.3-16 Turbo	09.90 - 12.98	143	2290	4	B234L	CL710	228	rail
2.3-16 Turbo CSE	09.93 - 12.98	147	2290	4	B234L	CL710	228	rail	
9-3 (YS3D)	2.0 i	02.98 - 09.02	96	1985	4	B204I	CL208	167	PIN-1
	2.0 i	02.98 - 09.02	96	1985	4	B204I	CL705	226	rail
	2.0 SE Turbo	02.98 - 09.02	147	1985	4	B204R	CL208	167	PIN-1
	2.0 SE Turbo	02.98 - 09.02	147	1985	4	B204R	CL705	226	rail
	2.0 Turbo	01.01 - 09.02	110	1985	4	B205E	CL705	226	rail
	2.0 Turbo	10.98 - 09.02	113	1985	4	B204E	CL705	226	rail
							CL710	228	rail

CAR	MODEL	YEAR	kW	ccm	CYL	MOTOR	COILTYPE	PAGE	INFO
SAAB									
9-3 (YS3D)	2.0 Turbo	02.98 - 09.02	136	1985	4	B205L/B204L	CL710	228	rail
	2.0 Turbo	10.99 - 09.02	151	1985	4	B205R	CL710	228	rail
	2.3 i	02.98 - 09.02	110	2290	4	B234I	CL705	226	rail
	2.3 Turbo	10.98 - 09.02	165	2290	4	B235R	CL705	226	rail
							CL710	228	rail
9-3 (YS3F)	1.8 T Bio Power	05.09 -	129	1998	4	B207L	CL710	228	rail
	1.8 i	01.04 -	90	1796	4	Z 18 XE	CL203	165	rail
							CL710	228	rail
	1.8 T	09.02 -	110	1998	4	B207E	CL710	228	rail
	2.0 T	09.02 -	129	1998	4	B207L	CL710	228	rail
	2.0 T	09.02 -	154	1998	4	B207R	CL710	228	rail
	2.0 T	05.09 -	177	1998	4		CL710	228	rail
	2.0 T XWD	01.07 -	120	1998	4		CL710	228	rail
	2.0 T Bio Power	01.07 -	129	1998	4	B207L	CL710	228	rail
	2.0 T Bio Power	05.09 -	147	1998	4		CL710	228	rail
	2.0 T Bio Power	09.02 -	154	1998	4	B207R	CL710	228	rail
	2.0 T Bio Power XWD	01.11 -	120	1998	4		CL710	228	rail
	2.0 T Bio Power XWD	09.02 -	154	1998	4	B207R	CL710	228	rail
	2.0 Turbo XWD	09.02 -	154	1998	4	B207R	CL710	228	rail
	9-3 Cabriolet (YS3D)	2.0 i	02.98 - 08.03	96	1985	4	B204I	CL208	167
CL705								226	rail
2.0 SE Turbo		02.98 - 08.03	147	1985	4	B204R	CL208	167	PIN-1
							CL705	226	rail
							CL208	167	PIN-1
2.0 Turbo		10.98 - 08.03	113	1985	4	B204E	CL208	167	PIN-1
2.0 Turbo		02.98 - 08.03	136	1985	4	B205L/B204L	CL208	167	PIN-1
2.0 Turbo		10.99 - 08.03	151	1985	4	B205R	CL208	167	PIN-1
2.0 Turbo		01.01 - 08.03	110	1985	4	B205E	CL705	226	rail
2.0 Turbo		10.98 - 08.03	113	1985	4	B204E	CL705	226	rail
2.0 Turbo		02.98 - 08.03	136	1985	4	B205L/B204L	CL705	226	rail
2.3 i		02.98 - 08.03	110	2290	4	B234I	CL208	167	PIN-1
							CL705	226	rail
2.3 Turbo	10.99 - 08.03	165	2290	4	B235R	CL705	226	rail	
9-3 Combi	1.8 i	03.05 -	90	1796	4	Z 18 XE	CL203	165	rail
							CL710	228	rail
	1.8 T	03.05 -	110	1998	4	B207E	CL710	228	rail
	2.0 T	03.05 -	110	1998	4	B207E	CL710	228	rail
	2.0 T	03.05 -	129	1998	4	B207L	CL710	228	rail
	2.0 T	02.09 -	147	1998	4		CL710	228	rail
	2.0 T	03.05 -	154	1998	4	B207R	CL710	228	rail
	2.0 T Bio Power	01.07 -	129	1998	4	B207L	CL710	228	rail
	2.0 T Bio Power	02.09 -	147	1998	4		CL710	228	rail
	2.0 T Bio Power XWD	06.08 -	154	1998	4	B207R	CL710	228	rail
2.0 T XWD	06.08 -	154	1998	4	B207R	CL710	228	rail	
9-5 (YS3E)	2.0	07.00 -	136	1985	4	B205L	CL705	226	rail
	2.0 T	09.97 -	110	1985	4	B205E	CL705	226	rail
	2.3 T	09.97 -	125	2290	4	B235E	CL705	226	rail
	2.3 T	01.01 -	136	2290	4	B235E	CL705	226	rail
	2.3 Turbo	07.03 -	162	2290	4	B235L	CL705	226	rail
	2.3 Turbo	10.99 - 09.01	169	2290	4	B235R	CL705	226	rail
	2.3 Turbo	09.01 -	184	2290	4	B235R	CL705	226	rail
	2.3 Turbo	11.05 -	191	2290	4	B235R	CL705	226	rail
9-5 Combi (YS3E)	2.0	07.00 - 07.01	136	1985	4	B205L	CL705	226	rail
	2.0 T	10.98 -	110	1985	4	B205E	CL705	226	rail
	2.0 T	10.98 -	141	1985	4	B204R	CL705	226	rail
	2.3 T	10.98 -	125	2290	4	B235E	CL705	226	rail
	2.3 T	01.01 -	136	2290	4	B235E	CL705	226	rail
	2.3 T Bio Power	11.06 -	154	2290	4		CL705	226	rail
	2.3 Turbo	07.03 -	162	2290	4	B235L	CL705	226	rail

CAR	MODEL	YEAR	kW	ccm	CYL	MOTOR	COILTYPE	PAGE	INFO
SAAB									
9-5 Combi (Y53E)	2.3 Turbo	10.99 - 09.01	169	2290	4	B235R	CL705	226	rail
	2.3 Turbo	09.01 -	184	2290	4	B235R	CL705	226	rail
	2.3 Turbo	01.06 -	191	2290	4	B235R	CL705	226	rail
SEAT									
Alhambra (710)	1.4 TSI	06.10 -	110	1390	4	CNWB/CAVA	CL003	132	pencil
	2.0 TSI	11.10 -	147	1984	4	CCZA	CL011	137	pencil
Alhambra (7V8, 7V9)	1.8 T 20V	10.97 - 03.10	110	1781	4	AWC/AJH	CL004	134	pencil
	2.0 i	04.96 - 03.10	85	1984	4	ADY	CL001	129	PIN-1
	2.0 i	04.96 - 03.10	85	1984	4	ATM	CL002	130	PIN-4
	2.8 V6	06.00 - 03.10	150	2792	6	AYL/AUE	CL023	142	pencil
	2.8 V6 4motion	06.00 - 03.10	150	2792	6	AYL/AUE	CL023	142	pencil
Altea (5P1)	1.2 TSI	04.10 -	77	1197	4	CBZB	CL002	130	PIN-4
	1.4 16V	05.06 -	63	1390	4	CGGB/BXW	CL003	132	pencil
	1.4 TSI	11.07 -	92	1390	4	CAXC	CL003	132	pencil
	1.6	03.04 -	75	1595	4	BGU/CCSA/BSF/CMXA/BSE	CL002	130	PIN-4
	1.6 LPG	09.09 -	75	1595	4	CHGA	CL002	130	PIN-4
	1.8 TFSI	01.07 -	118	1798	4	BZB/CDA/AYT	CL011	137	pencil
	2.0 FSI	05.04 - 03.09	110	1984	4	BLR/BLY/BVZ/BVY	CL011	137	pencil
	2.0 TFSI	04.06 - 05.09	147	1984	4	BWA	CL011	137	pencil
Altea XL (5P5, 5P8)	1.2 TSI	04.10 -	77	1197	4	CBZB	CL002	130	PIN-4
	1.4 16V	10.06 -	63	1390	4	CGGB/BXW	CL003	132	pencil
	1.4 TSI	11.07 -	92	1390	4	CAXC	CL003	132	pencil
	1.6	10.06 -	75	1595	4	CCSA/BSF/CMXA/BSE	CL002	130	PIN-4
	1.6 LPG	09.09 -	75	1595	4	CHGA	CL002	130	PIN-4
	1.8 TFSI	01.07 -	118	1798	4	BZB/CDA/AYT	CL011	137	pencil
	2.0 FSI	10.06 - 03.09	110	1984	4	BVZ/BVY	CL011	137	pencil
	2.0 TFSI 4x4	06.07 - 05.09	147	1984	4	BWA	CL011	137	pencil
	2.0 TFSI 4x4	05.09 -	155	1984	4	CCZB	CL011	137	pencil
	Arosa (6H)	1.0	05.97 - 06.04	37	999	4	AER/ALL	CL001	129
1.0		05.97 - 06.04	37	999	4	ANV/ALD/AUC	CL002	130	PIN-4
1.0		10.98 - 02.00	37	997	4	AHT	CL007	136	rail
1.4		05.97 - 06.04	44	1390	4	AEX/AKV/APQ	CL001	129	PIN-1
1.4		05.97 - 06.04	44	1390	4	ANW/AKK/AUD	CL002	130	PIN-4
1.4 16V		01.00 - 06.04	74	1390	4	AFK/AUB/AQQ	CL002	130	PIN-4
Cordoba (6K2/C2)		1.0 i	09.96 - 06.99	37	999	4	AER	CL001	129
	1.4 i	06.94 - 06.99	44	1390	4	AEX/AKV/ABD/APQ	CL001	129	PIN-1
	1.4 i 16V	09.96 - 06.99	74	1390	4	AFH	CL001	129	PIN-1
	1.6 i	02.93 - 06.99	55	1598	4	ABU/ALM/AEE	CL001	129	PIN-1
	1.6 i	05.94 - 06.99	55	1595	4	1F	CL001	129	PIN-1
	1.6 i	07.96 - 10.99	74	1595	4	AKL/AFT	CL001	129	PIN-1
	1.8 i	02.93 - 06.99	66	1781	4	ACC/ADZ/ABS	CL001	129	PIN-1
	1.8 i 16V	10.93 - 08.96	95	1781	4	ADL	CL001	129	PIN-1
							CL019	141	PIN-1
		2.0 i	02.93 - 06.99	85	1984	4	2E/AGG	CL001	129
	2.0 i 16V	08.96 - 06.99	110	1984	4	ABF	CL001	129	PIN-1
Cordoba (6K2)	1.0	06.99 - 10.02	37	999	4	ANV/ALD/AUC	CL002	130	PIN-4
	1.4	06.99 - 10.02	44	1390	4	ANW/AKK/AUD	CL002	130	PIN-4
	1.4 16V	05.00 - 10.02	55	1390	4	APE/AUA	CL002	130	PIN-4
	1.4 16V	02.00 - 10.02	74	1390	4	AUB/AQQ	CL002	130	PIN-4
	1.6	06.99 - 10.02	55	1598	4	ALM	CL001	129	PIN-1
	1.6	06.99 - 10.02	74	1595	4	AKL/APF/AEH/AUR	CL002	130	PIN-4
	1.8 T 20V Cupra	07.00 - 10.02	115	1781	4	AYP/AQX	CL005	134	pencil
	Cordoba (6L2)	1.2	10.02 - 06.06	47	1198	3	AZQ/BME	CL003	132
1.2 12V		05.06 - 11.09	51	1198	3	BXV	CL003	132	pencil
1.4 16V		09.02 - 12.07	55	1390	4	BBY	CL003	132	pencil
1.4 16V		10.02 - 11.09	74	1390	4	BBZ/AUB	CL003	132	pencil
1.4 16V		05.06 - 11.09	63	1390	4	BXW	CL003	132	pencil
1.6		04.03 - 11.09	74	1598	4	BAH	CL002	130	PIN-4
1.6 16V		11.06 - 11.09	77	1598	4	BTS	CL003	132	pencil
2.0		09.02 - 11.09	85	1984	4	AZL/BBX	CL002	130	PIN-4

CAR	MODEL	YEAR	kW	ccm	CYL	MOTOR	COILTYPE	PAGE	INFO
SEAT									
Cordoba Vario (6K5)	1.4	06.99 - 12.02	44	1390	4	ANW/AKK/AUD	CL002	130	PIN-4
	1.4 16V	06.99 - 12.02	55	1390	4	APE/AUA	CL002	130	PIN-4
	1.4 i	09.96 - 06.99	44	1390	4	AEX/AKV/APQ	CL001	129	PIN-1
	1.6	06.99 - 12.02	55	1598	4	ALM	CL001	129	PIN-1
	1.6	06.99 - 12.02	74	1595	4	AKL/APF/AEH/AUR	CL002	130	PIN-4
	1.6 i	09.96 - 06.99	55	1598	4	ALM/AEE	CL001	129	PIN-1
	1.6 i	05.97 - 06.99	55	1595	4	1F	CL001	129	PIN-1
	1.6 i	09.96 - 06.99	74	1595	4	AFT	CL001	129	PIN-1
Exeo (3R2)	1.6	03.09 -	75	1595	4	ALZ	CL002	130	PIN-4
	1.8T	12.08 -	110	1781	4	CFMA	CL002	130	PIN-4
	1.8TSI	05.10 -	118	1798	4	CDHB	CL011	137	pencil
	2.0TFSI	03.09 -	147	1984	4	BWE	CL011	137	pencil
	2.0TFSI	05.10 -	155	1984	4	CDND	CL011	137	pencil
Exeo ST (3R5)	1.6	06.09 -	75	1595	4	ALZ	CL002	130	PIN-4
	1.8T	06.09 -	110	1781	4	CFMA	CL002	130	PIN-4
	1.8TSI	05.10 -	118	1798	4	CDHB	CL011	137	pencil
	2.0TFSI	06.09 -	147	1984	4	BWE	CL011	137	pencil
	2.0TFSI	05.10 -	155	1984	4	CDND	CL011	137	pencil
Ibiza II (6K1)	1.0	03.93 - 09.96	33	1043	4	AAU	CL001	129	PIN-1
	1.0 i	09.96 - 08.99	37	999	4	AER	CL001	129	PIN-1
	1.3 i	03.93 - 08.99	40	1272	4	2G/AAV	CL001	129	PIN-1
	1.4 i	09.93 - 08.99	44	1390	4	AEX/AKV/ABD/APQ	CL001	129	PIN-1
	1.4 i 16V	06.97 - 08.99	74	1390	4	AFH	CL001	129	PIN-1
	1.6 i	03.93 - 08.99	55	1598	4	ABU/ALM/AEE	CL001	129	PIN-1
	1.6 i	09.94 - 06.99	55	1595	4	1F	CL001	129	PIN-1
	1.6 i	04.96 - 08.99	74	1595	4	AFT	CL001	129	PIN-1
	1.8 i	03.93 - 08.99	66	1781	4	ACC/ADZ/ABS	CL001	129	PIN-1
							CL019	141	PIN-1
	1.8 i 16V	11.93 - 08.96	95	1781	4	ADL	CL001	129	PIN-1
	2.0 i	03.93 - 08.99	85	1984	4	2E/AGG	CL001	129	PIN-1
	2.0 i 16V	08.96 - 08.99	110	1984	4	ABF	CL001	129	PIN-1
Ibiza III (6K1)	1.0	08.99 - 02.02	37	999	4	ANV/ALD/AUC	CL002	130	PIN-4
	1.4 16V	05.00 - 02.02	55	1390	4	APE/AUA	CL002	130	PIN-4
	1.4 16V	08.99 - 02.02	74	1390	4	AUB/AQQ	CL002	130	PIN-4
	1.6	08.99 - 02.02	55	1598	4	ALM	CL001	129	PIN-1
	1.6	08.99 - 02.02	74	1595	4	AKL/APF/AEH/AUR	CL002	130	PIN-4
	1.8T 20V Cupra	07.00 - 02.02	115	1781	4	AYP/AQX	CL005	134	pencil
Ibiza IV (6L1)	1.2	02.02 - 06.06	47	1198	3	AZQ	CL003	132	pencil
	1.2	06.07 - 05.08	44	1198	3	BBM	CL009	136	pencil
	1.2 12V	05.06 - 11.09	51	1198	3	BXV	CL003	132	pencil
	1.4 16V	02.02 - 11.09	74	1390	4	AUB	CL002	130	PIN-4
	1.4 16V	02.02 - 12.07	55	1390	4	BBY	CL003	132	pencil
	1.4 16V	02.02 - 11.09	74	1390	4	BBZ	CL003	132	pencil
	1.4 16V	05.06 - 11.09	63	1390	4	BXW	CL003	132	pencil
	1.6	02.03 - 11.09	74	1598	4	BAH	CL002	130	PIN-4
	1.6 16V	11.06 - 11.09	77	1598	4	BTS	CL003	132	pencil
	1.8T Cupra R	01.04 - 02.08	132	1781	4	BBU/BLZ	CL005	134	pencil
	1.8T FR	12.03 - 05.08	110	1781	4	BKV/BJX	CL005	134	pencil
	2.0	04.02 - 11.09	85	1984	4	AZL/BBX	CL002	130	PIN-4
	Ibiza V (6J5)	1.2	03.08 -	51	1198	3	BZG/CGPA	CL003	132
1.2		07.09 -	44	1198	3	CGPB	CL003	132	pencil
1.2TSI		09.10 -	77	1197	4	CBZB	CL002	130	PIN-4
1.4		03.08 -	63	1390	4	CGGB/BXW	CL003	132	pencil
1.4TSI		06.09 -	110	1390	4	CAVF	CL003	132	pencil
1.6		05.08 -	77	1598	4	BTS	CL003	132	pencil
Ibiza V Sportcoupe (6J1)	1.2	07.08 -	51	1198	3	BZG/CGPA	CL003	132	pencil
	1.2	07.09 -	44	1198	3	CHFA/CGPB	CL003	132	pencil
	1.2TSI	09.10 -	77	1197	4	CBZB	CL002	130	PIN-4
	1.4	07.08 -	63	1390	4	CGGB/BXW	CL003	132	pencil
	1.4TSI	06.09 -	110	1390	4	CAVF	CL003	132	pencil

CAR	MODEL	YEAR	kW	ccm	CYL	MOTOR	COILTYPE	PAGE	INFO
SEAT									
Ibiza V Sportcoupe (6J1)	1.4TSI	06.09 -	132	1390	4	CAVE	CL003	132	pencil
	1.6	07.08 -	77	1598	4	BTS	CL003	132	pencil
Ibiza V ST (6J8)	1.2	05.10 -	44	1198	3	CGPB	CL003	132	pencil
	1.2	05.10 -	51	1198	3	CGPA	CL003	132	pencil
	1.2TSI	09.10 -	77	1197	4	CBZB	CL002	130	PIN-4
	1.4	03.10 -	63	1390	4	CGGB	CL003	132	pencil
Inca (6K9)	1.4 16V	04.00 - 06.03	55	1390	4	AUA	CL002	130	PIN-4
	1.4 i	11.95 - 06.03	44	1390	4	AEX/AKV/APQ/AUD	CL001	129	PIN-1
	1.6 i	11.95 - 05.98	55	1595	4	1F	CL001	129	PIN-1
	1.6 i	06.97 - 09.00	55	1598	4	ALM/AEE	CL001	129	PIN-1
Leon (1M1)	1.4 16V	11.99 - 06.06	55	1390	4	AHW/AXP/APE	CL002	130	PIN-4
	1.4 16V	11.99 - 06.06	55	1390	4	BCA	CL003	132	pencil
	1.6	11.99 - 06.06	74	1595	4	AKL/APF/AEH	CL002	130	PIN-4
	1.6	10.05 - 06.06	75	1595	4	BGU/BFQ	CL002	130	PIN-4
	1.6 16V	09.00 - 06.06	77	1598	4	AUS	CL002	130	PIN-4
	1.6 16V	09.00 - 06.06	77	1598	4	BCB/AZD	CL003	132	pencil
	1.8 20V	11.99 - 06.06	92	1781	4	AGN/APG	CL002	130	PIN-4
	1.8 20VT	11.99 - 06.06	132	1781	4	APP/AUQ	CL005	134	pencil
	1.8 20VT 4	11.99 - 06.06	132	1781	4	ARY	CL005	134	pencil
	1.8T Cupra R	02.02 - 06.06	154	1781	4	AMK	CL005	134	pencil
	1.8T Cupra R	07.03 - 06.06	165	1781	4	BAM	CL005	134	pencil
	2.8 Cupra 4	02.01 - 06.06	150	2792	6	AUE	CL030	144	PIN-6
	Leon (1P1)	1.2TSI	02.10 -	77	1197	4	CBZB	CL002	130
1.4 16V		06.06 -	63	1390	4	CGGB/BXW	CL003	132	pencil
1.4TSI		11.07 -	92	1390	4	CAXC	CL003	132	pencil
1.6		07.05 -	75	1595	4	BFQ/CCSA/BSF/CMXA/BSE	CL002	130	PIN-4
1.6 LPG		12.09 -	75	1595	4	CHGA	CL002	130	PIN-4
1.8TSI		06.07 -	118	1798	4	BZB/CDA	CL011	137	pencil
2.0 FSI		07.05 - 05.10	110	1984	4	BLR/BLY/BVZ/BVY	CL011	137	pencil
2.0TFSI		09.05 - 05.06	136	1984	4	BWA1	CL011	137	pencil
2.0TFSI		05.05 - 03.09	147	1984	4	BWA	CL011	137	pencil
2.0TFSI		06.09 -	155	1984	4	CCZB	CL011	137	pencil
2.0TFSI		11.06 -	177	1984	4	BWJ/CDLD	CL011	137	pencil
2.0TFSI		09.09 -	195	1984	4	CDLA	CL011	137	pencil
Toledo I (1L)		1.6 i	05.91 - 12.93	52	1595	4	1F	CL001	129
	1.6 i	05.91 - 03.99	54	1595	4	EZ/ABN/1F	CL001	129	PIN-1
	1.6 i	01.93 - 03.99	55	1595	4	1F	CL001	129	PIN-1
	1.6 i	11.96 - 03.99	74	1595	4	AFT	CL001	129	PIN-1
	1.8 i	11.93 - 12.96	66	1781	4	ACC/ADZ/ABS	CL001	129	PIN-1
	2.0 i	05.91 - 03.99	85	1984	4	2E/AGG	CL001	129	PIN-1
							CL019	141	PIN-1
	2.0 i 16V	11.93 - 03.99	110	1984	4	ABF	CL001	129	PIN-1
						CL019	141	PIN-1	
Toledo II (1M2)	1.4 16V	07.99 - 05.06	55	1390	4	AHW/AXP/BCA/APE/AUA	CL002	130	PIN-4
	1.6	04.99 - 09.00	74	1595	4	AKL/APF/AEH	CL002	130	PIN-4
	1.6 16V	09.00 - 05.06	77	1598	4	AUS	CL002	130	PIN-4
	1.6 16V	09.00 - 05.06	77	1598	4	BCB/AZD	CL003	132	pencil
	1.8 20V	04.99 - 05.06	92	1781	4	AGN/APG	CL002	130	PIN-4
	1.8 20VT	05.01 - 05.06	132	1781	4	APP/AUQ	CL005	134	pencil
	2.3 V5	04.99 - 05.01	110	2324	5	AGZ	CL020	142	PIN-5
	2.3 V5 20V	05.01 - 05.06	125	2324	5	AQN	CL023	142	pencil
Toledo III (5P2)	1.6	10.04 - 05.09	75	1595	4	BGU/CCSA/BSF/BSE	CL002	130	PIN-4
	1.8TFSI	01.07 - 05.09	118	1798	4	BZB/CDA/BYT	CL011	137	pencil
	2.0 FSI	10.04 - 05.09	110	1984	4	BLR/BLY/BVZ/BVY	CL011	137	pencil
	2.0TFSI	11.05 - 05.09	147	1984	4	BWA	CL011	137	pencil
SKODA									
130 L, GL	1.3	02.85 - 10.91	45	1280	4	742,13	CL012	138	DIN-1
130 GL	1.3	08.87 - 10.91	39	1280	4		CL012	138	DIN-1
130 G, GL (S136)	1.3	05.88 - 10.91	46	1280	4		CL012	138	DIN-1
130 GL (S135)	1.3	05.88 - 10.91	43	1280	4	135/8	CL012	138	DIN-1

CAR	MODEL	YEAR	kW	ccm	CYL	MOTOR	COILTYPE	PAGE	INFO
SKODA									
Fabia (6Y2)	1.0	12.99 - 08.02	37	996	4	AQV/ARV	CL007	136	rail
	1.2	08.02 - 03.08	40	1198	3	AWY/BMD	CL009	136	pencil
	1.2	01.03 - 03.08	47	1198	3	AZQ/BME	CL003	132	pencil
	1.4	08.99 - 03.08	50	1397	4	AME/ATZ/AQW	CL007	136	rail
	1.4	08.00 - 08.02	44	1397	4	AZF/AZE	CL007	136	rail
	1.4 16V	12.99 - 03.08	55	1390	4	AUA	CL002	130	PIN-4
	1.4 16V	12.99 - 03.08	55	1390	4	BBY/BKY	CL003	132	pencil
	1.4 16V	12.99 - 03.08	74	1390	4	AUB	CL002	130	PIN-4
	1.4 16V	12.99 - 03.08	74	1390	4	BBZ/AUB	CL003	132	pencil
	2.0	12.99 - 03.08	85	1984	4	AQY/AZL	CL002	130	PIN-4
Fabia Combi (6Y5)	1.2	07.01 - 12.07	40	1198	3	AWY/BMD	CL009	136	pencil
	1.2	01.03 - 12.07	47	1198	3	AZQ/BME	CL003	132	pencil
	1.4	04.00 - 12.07	44	1397	4	AZF/AZE	CL007	136	rail
	1.4	04.00 - 12.07	50	1397	4	AME/ATZ/AQW	CL007	136	rail
	1.4 16V	05.00 - 12.07	55	1390	4	AUA	CL002	130	PIN-4
	1.4 16V	05.00 - 12.07	55	1390	4	BBY/BKY	CL003	132	pencil
	1.4 16V	04.00 - 12.07	74	1390	4	AUB	CL002	130	PIN-4
	1.4 16V	04.00 - 12.07	74	1390	4	BBZ	CL003	132	pencil
	1.4 16V	04.06 - 12.07	59	1390	4	BUD	CL003	132	pencil
	2.0	04.00 - 12.07	85	1984	4	AZL	CL002	130	PIN-4
Fabia Sedan (6Y3)	1.2	07.01 - 12.07	40	1198	3	AWY/BMD	CL009	136	pencil
	1.2	01.03 - 12.07	47	1198	3	AZQ/BME	CL003	132	pencil
	1.4	04.00 - 08.02	44	1397	4	AZF/AZE	CL007	136	rail
	1.4	07.01 - 12.07	50	1397	4	AME/AQW	CL007	136	rail
	1.4 16V	10.99 - 12.07	55	1390	4	AUA	CL002	130	PIN-4
	1.4 16V	10.99 - 12.07	55	1390	4	BBY/BKY	CL003	132	pencil
	1.4 16V	12.99 - 12.07	74	1390	4	AUB	CL002	130	PIN-4
	1.4 16V	12.99 - 12.07	74	1390	4	BBZ	CL003	132	pencil
	1.4 16V	04.06 - 12.07	59	1390	4	BUD	CL003	132	pencil
	2.0	12.99 - 12.07	85	1984	4	AZL	CL002	130	PIN-4
Fabia II	1.2	12.06 -	44	1198	3	BBM/CHFA	CL009	136	pencil
	1.2	01.07 -	51	1198	3	CEVA/BZG/CGPA/CHTA	CL003	132	pencil
	1.2 12V	11.11 -	44	1198	3	CGPB	CL009	136	pencil
	1.2 TSI	03.10 -	63	1197	4	CBZA	CL002	130	PIN-4
	1.2 TSI	03.10 -	77	1197	4	CBZB	CL002	130	PIN-4
	1.4	01.07 -	63	1390	4	CGGB/BXW	CL003	132	pencil
	1.4 TSI	05.10 -	132	1390	4	CAVE	CL003	132	pencil
	1.6	04.07 -	77	1598	4	BTS/CFNA	CL003	132	pencil
Fabia II Combi	1.2	10.07 -	44	1198	3	BBM/CHFA	CL009	136	pencil
	1.2	10.07 -	51	1198	3	CEVA/BZG/CGPA/CHTA	CL003	132	pencil
	1.2 12V	11.11 -	44	1198	3	CGPB	CL009	136	pencil
	1.2 TSI	03.10 -	63	1197	4	CBZA	CL002	130	PIN-4
	1.2 TSI	03.10 -	77	1197	4	CBZB	CL002	130	PIN-4
	1.4	10.07 -	63	1390	4	CGGB/BXW	CL003	132	pencil
	1.4 TSI	05.10 -	132	1390	4	CAVE	CL003	132	pencil
	1.6	10.07 -	77	1598	4	BTS/CFNA	CL003	132	pencil
Fabia Praktik	1.2	07.01 - 12.07	40	1198	3	AWY/BMD	CL009	136	pencil
	1.2	01.03 - 12.07	47	1198	3	AZQ/BME	CL003	132	pencil
	1.4	07.01 - 12.07	50	1397	4	AME/ATZ/AQW	CL007	136	rail
Favorit 135 (781)	1.3	10.90 - 09.94	44	1289	4	781.135	CL001	129	PIN-1
		12.91 - 09.94	42	1289	4	781.135	CL012	138	DIN-1
	1.3	12.91 - 09.94	43	1289	4	781.135	CL001	129	PIN-1
		12.91 - 09.94	43	1289	4	781.135	CL012	138	DIN-1
Favorit 135 X,LX,GLX (781)	1.3	01.90 - 09.94	40	1289	4	781.135E	CL001	129	PIN-1
		01.90 - 09.94	40	1289	4	781.135E	CL012	138	DIN-1
Favorit 135L (781)	1.3	05.89 - 09.94	43	1289	4	781.135	CL001	129	PIN-1
		05.89 - 09.94	43	1289	4	781.135	CL012	138	DIN-1

CAR	MODEL	YEAR	kW	ccm	CYL	MOTOR	COILTYPE	PAGE	INFO
SKODA									
Favorit 136 (781)	1.3	10.90 - 09.94	45	1289	4	136 L	CL001	129	PIN-1
							CL012	138	DIN-1
Favorit Forman (785)	1.3	09.91 - 06.95	40	1289	4	781.135E	CL001	129	PIN-1
							CL012	138	DIN-1
Favorit Pick-up (787)	1.3	12.92 - 06.97	40	1289	4	135B	CL001	129	PIN-1
							CL012	138	DIN-1
Felicia I (6U1)	1.3	10.94 - 03.98	40	1289	4	135B/AMG	CL001	129	PIN-1
							CL013	139	PIN-1
Felicia I Combi (6U5)	1.3	08.95 - 03.98	43	1598	4	EA111/AEE	CL001	129	PIN-1
							CL013	139	PIN-1
Felicia I Fun (797)	1.3	10.95 - 04.02	43	1289	4	AMJ	CL001	129	PIN-1
							CL013	139	PIN-1
Felicia II (6U1)	1.3	01.98 - 06.01	40	1289	4	AMG	CL008	136	rail
							CL001	129	PIN-1
Felicia II Combi (6U5)	1.3	01.98 - 06.01	50	1289	4	AMH	CL008	136	rail
							CL001	129	PIN-1
Octavia (1U2)	1.4	04.99 -	44	1397	4	AMD	CL007	136	rail
							CL002	130	PIN-4
Octavia (1Z3)	1.2 TSI	02.10 -	77	1197	4	CBZB	CL002	130	PIN-4
							CL003	132	pencil
Octavia (1Z3)	1.4	05.04 - 05.06	55	1390	4	BCA	CL003	132	pencil
							CL002	130	PIN-4
Octavia (1Z3)	1.4	06.04 -	59	1390	4	BUD/CGGA	CL003	132	pencil
							CL002	130	PIN-4
Octavia (1Z3)	1.4 TSI	11.08 -	90	1390	4	CAXA	CL003	132	pencil
							CL002	130	PIN-4
Octavia (1Z3)	1.6	06.04 -	75	1595	4	BGU/CCSA/BSF/CMXA/BSE	CL002	130	PIN-4
							CL003	132	pencil
Octavia (1Z3)	1.6 FSI	02.04 - 10.08	85	1598	4	BLF	CL003	132	pencil
							CL002	130	PIN-4
Octavia (1Z3)	1.6 LPG	08.09 -	75	1595	4	CHGA	CL002	130	PIN-4
							CL002	130	PIN-4
Octavia (1Z3)	1.6 Multifuel	01.08 -	75	1595	4	CCSA/CMXA	CL002	130	PIN-4
							CL011	137	pencil
Octavia (1Z3)	1.8 TSI	06.07 -	118	1798	4	BZB/CDA	CL011	137	pencil
							CL011	137	pencil
Octavia (1Z3)	2.0 FSI	11.04 -	110	1984	4	BLY/BLR/BVZ/BVY	CL011	137	pencil
							CL011	137	pencil

CAR	MODEL	YEAR	kW	ccm	CYL	MOTOR	COILTYPE	PAGE	INFO
SKODA									
Octavia (1Z3)	2.0 RS	10.05 -	147	1984	4	BWA/CCZA	CL011	137	pencil
Octavia Combi (1U5)	1.4 16V	08.00 -	55	1390	4	AXP/BCA	CL002	130	PIN-4
	1.6	07.98 -	55	1598	4	AEE	CL001	129	PIN-1
	1.6	07.98 -	74	1595	4	AKL/AEH	CL002	130	PIN-4
	1.6	09.00 -	75	1595	4	AVU/BFQ	CL002	130	PIN-4
	1.8 20V	07.98 -	92	1781	4	AGN	CL002	130	PIN-4
	1.8 T	07.98 -	110	1781	4	AGU	CL004	134	pencil
	1.8 T	07.98 -	110	1781	4	ARX/ARZ//AUM	CL005	134	pencil
	1.8 T 4x4	05.01 -	110	1781	4	AGU	CL004	134	pencil
	1.8 T 4x4	05.01 -	110	1781	4	ARX/AUM	CL005	134	pencil
	1.8 T RS	08.02 -	132	1781	4	AUQ	CL005	134	pencil
	2.0	04.99 -	85	1984	4	APK/AZH/AQY/AEG	CL002	130	PIN-4
	2.0	04.99 -	85	1984	4	AZJ	CL010	137	PIN-4
	2.0 4x4	05.01 -	85	1984	4	AZH/AQY/AEG	CL002	130	PIN-4
	2.0 4x4	01.00 -	88	1984	4	ATF	CL002	130	PIN-4
	2.0 4x4	05.01 -	85	1984	4	AZJ	CL010	137	PIN-4
Octavia Combi (1Z5)	1.2 TSI	02.10 -	77	1197	4	CBZB	CL002	130	PIN-4
	1.4	05.06 -	59	1390	4	BUD/CGGA	CL003	132	pencil
	1.4 TSI	11.08 -	90	1390	4	CAXA	CL003	132	pencil
	1.6	09.04 -	75	1595	4	BGU/CCSA/BSF/CMXA/BSE	CL002	130	PIN-4
	1.6 FSI	02.04 - 10.08	85	1598	4	BLF	CL003	132	pencil
	1.6 LPG	08.09 -	75	1595	4	CHGA	CL002	130	PIN-4
	1.6 Multifuel	01.08 -	75	1595	4	CCSA/CMXA	CL002	130	PIN-4
	1.8 TSI	06.07 -	118	1798	4	BZB/CDA	CL011	137	pencil
	1.8 TSI 4x4	11.08 -	118	1798	4	CDA	CL011	137	pencil
	2.0 FSI	11.04 -	110	1984	4	BLY/BLR/BVZ/BVY	CL011	137	pencil
	2.0 FSI 4x4	11.04 -	110	1984	4	BVX/BLX	CL011	137	pencil
	2.0 RS	10.05 -	147	1984	4	BWA/CCZA	CL011	137	pencil
Rapid (130G)	1.3	08.87 - 10.91	39	1280	4		CL012	138	DIN-1
	1.3	03.85 - 08.88	45	1280	4	742,13	CL012	138	DIN-1
Rapid (135G)	1.3 S	09.84 - 12.90	43	1280	4	135/8	CL012	138	DIN-1
Roomster (5J)	1.2	05.06 - 01.07	47	1198	3	BME	CL003	132	pencil
	1.2	01.07 -	51	1198	3	BZG/CGPA	CL003	132	pencil
	1.2 TSI	03.10 -	63	1197	4	CBZA	CL002	130	PIN-4
	1.2 TSI	03.10 -	77	1197	4	CBZB	CL002	130	PIN-4
	1.4	09.06 -	63	1390	4	CGGB/BXW	CL003	132	pencil
	1.6	09.06 -	77	1598	4	BTS/CFNA	CL003	132	pencil
Roomster Praktik (5J)	1.2	03.07 -	51	1198	3	BZG/CGPA	CL003	132	pencil
	1.2 TSI	03.10 -	63	1197	4	CBZA	CL002	130	PIN-4
	1.4	03.07 -	63	1390	4	CGGB/BXW	CL003	132	pencil
Superb (3T4)	1.4 TSI	07.08 -	92	1390	4	CAXC	CL003	132	pencil
	1.8 TSI	03.08 -	118	1798	4	BZB/CDA	CL011	137	pencil
	1.8 TSI 4x4	11.08 -	118	1798	4	CDA	CL011	137	pencil
	2.0 TSI	05.10 -	147	1984	4	CCZA	CL011	137	pencil
	3.6 V6 4x4	11.08 -	191	3580	6	CDVA	CL016	140	pencil
Superb (3U4)	1.8 T	02.02 - 03.08	110	1781	4	AWT	CL005	134	pencil
	2.0	02.02 - 03.08	85	1984	4	AZM	CL002	130	PIN-4
	2.8 V6	02.02 - 03.08	142	2771	6	AMX	CL006	135	PIN-6
Superb Combi (3T5)	1.4 TSI	10.09 -	92	1390	4	CAXC	CL003	132	pencil
	1.8 TSI	10.09 -	118	1798	4	CDA	CL011	137	pencil
	1.8 TSI 4x4	10.09 -	118	1798	4	CDA	CL011	137	pencil
	2.0 TSI	05.10 -	147	1984	4	CCZA	CL011	137	pencil
	3.6 V6 4x4	10.09 -	191	3580	6	CDVA	CL016	140	pencil
Yeti (5L)	1.2 TSI	09.09 -	77	1197	4	CBZB	CL002	130	PIN-4
	1.4 TSI	06.10 -	90	1390	4	CAXA	CL003	132	pencil
	1.8 TSI 4x4	05.09 -	118	1798	4	CDA	CL011	137	pencil
	1.8 TSI 4x4	11.09 -	112	1798	4	CDAB	CL011	137	pencil
SMART									
Cabrio (450)	0.6	03.00 - 01.04	40	599	3	M 160 E6AL B03/M 160.920	CL607	219	PIN-2
	0.6	01.01 - 01.04	45	599	3	M 160 E6AL B05/M 160.920	CL607	219	PIN-2

CAR	MODEL	YEAR	kW	ccm	CYL	MOTOR	COILTYPE	PAGE	INFO
SMART									
Cabrio (450)	0.6	06.02 - 01.04	52	599	3	M 160.910/M 160.920	CL607	219	PIN-2
	0.7	01.03 - 01.04	45	698	3	M 160.910	CL607	219	PIN-2
	0.7	01.03 - 01.04	55	698	3	M 160.910	CL607	219	PIN-2
City-Coupe (450)	0.6	07.98 - 01.04	33	599	3	M 160 E6AL B04/M 160.920	CL607	219	PIN-2
	0.6	07.98 - 01.04	40	599	3	M 160 E6AL B03/M 160.920	CL607	219	PIN-2
	0.6	01.01 - 01.04	45	599	3	M 160 E6AL B05/M 160.920	CL607	219	PIN-2
	0.6	06.02 - 01.04	52	599	3	M 160.910/M 160.920	CL607	219	PIN-2
	0.7	01.03 - 01.04	37	698	3	M 160.910	CL607	219	PIN-2
	0.7	01.03 - 01.04	45	698	3	M 160.910	CL607	219	PIN-2
	0.7	01.03 - 01.04	55	698	3	M 160.910	CL607	219	PIN-2
Crossblade (450)	0.6	06.02 -	52	599	3	M 160.910/M 160.920	CL607	219	PIN-2
Forfour (454)	1.1	02.05 -	47	1124	3	M 134.911	CL607	219	PIN-2
	1.1	01.04 -	55	1124	3	M 134.910	CL607	219	PIN-2
	1.3	01.04 -	70	1332	4	M 135.930	CL607	219	PIN-2
	1.5	01.04 -	80	1499	4	M 135.950	CL607	219	PIN-2
Fortwo Cabrio (450)	0.7	01.04 -	45	698	3	M 160.910	CL607	219	PIN-2
	0.7	01.04 -	55	698	3	M 160.910	CL607	219	PIN-2
Fortwo Cabrio (451)	1.0	01.07 -	52	999	3	M 132.910	CL607	219	PIN-2
	1.0 Turbo	01.07 -	62	999	3	M 132.930	CL607	219	PIN-2
Fortwo Coupe (450)	0.7	01.04 -	37	698	3	M 160.910/M 160.920	CL607	219	PIN-2
	0.7	01.04 -	45	698	3	M 160.910	CL607	219	PIN-2
	0.7	01.04 -	55	698	3	M 160.910	CL607	219	PIN-2
Fortwo Coupe (451)	1.0	01.07 -	45	999	3	M 132.910	CL607	219	PIN-2
	1.0	01.07 -	52	999	3	M 132.910	CL607	219	PIN-2
	1.0 Turbo	01.07 -	62	999	3	M 132.930	CL607	219	PIN-2
Roadster (452)	0.7	04.03 -	45	698	3		CL607	219	PIN-2
	0.7	04.03 -	60	698	3		CL607	219	PIN-2
	0.7 Brabus	12.03 -	74	698	3	M 160.923	CL607	219	PIN-2
Roadster Coupe (452)	0.7	06.03 -	45	698	3		CL607	219	PIN-2
	0.7	04.03 -	60	698	3		CL607	219	PIN-2
	0.7 Brabus	12.03 -	74	698	3	M 160.923	CL607	219	PIN-2
SSANG YONG									
Korando (KJ)	2.0	05.97 -	94	1998	4		CL606	218	pencil/PIN-1
	2.3	05.97 -	103	2295	4	M 111.970	CL606	218	pencil/PIN-1
	2.3	01.99 -	105	2295	4		CL606	218	pencil/PIN-1
	3.2	12.96 -	154	3199	6	M 104.995	CL606	218	pencil/PIN-1
	3.2	01.99 -	156	3199	6	M 104.995	CL606	218	pencil/PIN-1
Korando Cabrio (KJ)	2.3	11.97 -	103	2295	4		CL606	218	pencil/PIN-1
	2.3	02.99 -	105	2295	4		CL606	218	pencil/PIN-1
	3.2	01.99 -	156	3199	6	M 104.995	CL606	218	pencil/PIN-1
Musso (FJ)	2.0	10.96 -	93	1998	4	E20	CL606	218	pencil/PIN-1
	2.3	10.96 -	103	2295	4	M 111.970	CL606	218	pencil/PIN-1
	2.3	04.03 -	110	2295	4		CL606	218	pencil/PIN-1
	3.2	06.96 -	162	3199	6	M 104.992	CL606	218	pencil/PIN-1
Rexton (GAB_)	3.2	04.02 -	162	3199	6	G32D	CL606	218	pencil/PIN-1
SUBARU									
Forester (SF)	2.0	06.98 - 09.02	92	1994	4	EJ20	CL591	210	SAE-4
Forester (SG)	2.0	09.02 -	92	1994	4	EJ20	CL591	210	SAE-4
Impreza Coupe (GFC)	2.0 4WD	12.95 - 12.00	85	1994	4	EJ20	CL570	206	DIN-4
	2.0 Turbo 4WD	12.96 - 12.00	155	1994	4	EJ20G	CL570	206	DIN-4
Impreza Sedan (GC)	2.0 i 4WD	10.95 - 12.00	85	1994	4	EJ20	CL570	206	DIN-4
	2.0 Turbo GT 4WD	03.94 - 12.00	155	1994	4	EJ20 (Turbo)	CL570	206	DIN-4
Impreza Station Wagon (GF)	2.0 4WD	12.95 - 12.00	85	1994	4	EJ20	CL570	206	DIN-4
	2.0 16V AWD	06.98 - 12.00	92	1994	4	EJ20	CL570	206	DIN-4
	2.0 i Turbo 4WD	03.94 - 12.00	155	1994	4	EJ20 (Turbo)	CL570	206	DIN-4
Justy III (G3X)	1.5	09.03 -	73	1490	4	M15A	CL561	203	pencil/DIN-1
Justy IV	1.0	01.07 -	51	998	3	1KR-FE	CL555	201	pencil
Legacy II (BD, BG)	2.0 i	09.94 - 03.99	85	1994	4	EJ20E	CL570	206	DIN-4
	2.0 i 4WD	09.94 - 03.99	85	1994	4	EJ20	CL570	206	DIN-4
	2.2 i 4WD	09.94 - 03.99	94	2212	4	EJ22 EMPI	CL570	206	DIN-4

CAR	MODEL	YEAR	kW	ccm	CYL	MOTOR	COILTYPE	PAGE	INFO
SUBARU									
Legacy II (BD, BG)	2.2 i 4WD	06.96 - 03.99	96	2212	4	EJ22 EMPI	CL570	206	DIN-4
	2.5 i 4WD	06.96 - 03.99	110	2457	4	EJ25D	CL570	206	DIN-4
Legacy II Stat. Wagon (BD, BG)	2.0 i	09.94 - 11.98	85	1994	4	EJ20 EMPI	CL570	206	DIN-4
	2.0 i 4WD	09.94 - 11.98	85	1994	4	EJ20	CL570	206	DIN-4
	2.2 i 4WD	02.94 - 12.98	94	2212	4	EJ22 EMPI	CL570	206	DIN-4
	2.2 i 4WD	06.96 - 11.98	96	2212	4	EJ22 EMPI	CL570	206	DIN-4
	2.5 i 4WD	06.96 - 11.98	110	2457	4	EJ25D	CL570	206	DIN-4
Legacy III (BE, BH)	2.0	04.99 - 08.03	92	1994	4	EJ20	CL591	210	SAE-4
	2.5	10.98 - 08.03	115	2457	4	EJ25	CL591	210	SAE-4
Legacy III Stat. Wagon (BE, BH)	2.0	12.98 - 08.03	92	1994	4	EJ20	CL591	210	SAE-4
	2.5	12.98 - 08.03	115	2457	4	EJ25	CL591	210	SAE-4
Outback (BE, BH)	2.5	10.00 - 08.03	115	2457	4	EJ25	CL591	210	SAE-4
Outback (BL, BP)	2.5	11.03 - 09.09	121	2457	4	EJ25D	CL591	210	SAE-4
	2.5	09.08 - 09.09	127	2457	4	EJ251	CL591	210	SAE-4
SUZUKI									
Alto IV (FF)	1.1	06.02 -	46	1061	4	F10DN/F10D	CL561	203	pencil/DIN-1
Baleno (EG)	1.3	09.96 - 05.02	52	1298	4	G13BA	CL561	203	pencil/DIN-1
	1.3 i 16V	07.95 - 05.02	63	1298	4	G13B	CL561	203	pencil/DIN-1
	1.6 i 16V	07.95 - 05.02	72	1590	4	G16B	CL561	203	pencil/DIN-1
	1.6 i 16V 4x4	07.95 - 05.02	72	1590	4	G16B	CL561	203	pencil/DIN-1
	1.8 GTX	03.96 - 05.02	89	1839	4	J18A	CL512	192	pencil
							CL557	202	pencil
Baleno CC (EG)	1.3	09.96 - 05.02	52	1298	4	G13BA	CL561	203	pencil/DIN-1
	1.3 i 16V	07.95 - 05.02	63	1298	4	G13B/G13BB	CL561	203	pencil/DIN-1
	1.6 i 16V	07.95 - 05.02	72	1590	4	G16B	CL561	203	pencil/DIN-1
	1.6 i 16V 4x4	07.95 - 05.02	72	1590	4	G16B	CL561	203	pencil/DIN-1
	1.8 GTX	03.96 - 05.02	89	1839	4	J18A	CL512	192	pencil
							CL557	202	pencil
Baleno Combi (EG)	1.3 16V	03.97 - 05.02	63	1298	4	G13BB	CL561	203	pencil/DIN-1
	1.6 i 16V	08.96 - 05.02	72	1590	4	G16B	CL561	203	pencil/DIN-1
	1.6 i 16V	08.96 - 05.02	73	1590	4		CL561	203	pencil/DIN-1
	1.6 i 16V 4x4	08.96 - 05.02	72	1590	4	G16B	CL561	203	pencil/DIN-1
	1.6 i 16V 4x4	08.96 - 05.02	73	1590	4	G16B	CL561	203	pencil/DIN-1
							CL512	192	pencil
							CL557	202	pencil
Carry Van (FD)	1.3	03.99 -	58	1298	4	G13B	CL561	203	pencil/DIN-1
	1.3 16V	03.00 -	58	1298	4	G13BB	CL561	203	pencil/DIN-1
Grand Vitara (FT, GT)	1.6	03.98 -	69	1590	4	G16B	CL533	197	pencil/DIN-1
	2.0	03.98 -	94	1995	4	J20A	CL557	202	pencil
	2.5 V6 24V	04.98 -	106	2493	6	H 25 A	CL557	202	pencil
	2.5 V6 24V	04.01 -	116	2493	6	H 25 A	CL557	202	pencil
	2.7 XL-7	09.01 -	127	2736	6		CL557	202	pencil
	2.7 XL-7	04.03 -	135	2736	6	H 27 A	CL557	202	pencil
Grand Vitara (JT)	1.6 Allrad	04.05 -	78	1586	4	M16A	CL561	203	pencil/DIN-1
	2.0 Allrad	10.05 -	103	1995	4	J20A	CL512	192	pencil
							CL557	202	pencil
Ignis (FH)	1.3	10.00 - 09.03	61	1328	4	M13A	CL561	203	pencil/DIN-1
	1.3 4WD	10.00 - 09.03	61	1328	4	M13A	CL561	203	pencil/DIN-1
Ignis II	1.3	09.03 -	69	1328	4	M13A	CL561	203	pencil/DIN-1
	1.3 4x4	09.03 -	69	1328	4	M13A	CL561	203	pencil/DIN-1
	1.5	09.03 -	73	1490	4	M15A	CL561	203	pencil/DIN-1
	1.5 4x4	09.03 -	73	1490	4	M15A	CL561	203	pencil/DIN-1
	1.5 Sport	12.03 -	80	1490	4	M15A	CL561	203	pencil/DIN-1
Jimny (EJ)	1.3 16V	09.98 -	59	1298	4	G13BB	CL533	197	pencil/DIN-1
	1.3 16V	02.01 -	60	1328	4	M13A	CL561	203	pencil/DIN-1
	1.3 16V 4WD	09.98 -	59	1298	4	G13BB	CL533	197	pencil/DIN-1
	1.3 16V 4WD	02.01 -	60	1328	4	M13A	CL561	203	pencil/DIN-1
	1.3 16V 4x4	08.05 -	63	1328	4	M13A	CL561	203	pencil/DIN-1
Liana (ER)	1.3	03.02 -	66	1328	4	M13A	CL561	203	pencil/DIN-1
	1.6	03.02 -	76	1586	4	M16A	CL561	203	pencil/DIN-1
Suzuki									

CAR	MODEL	YEAR	kW	ccm	CYL	MOTOR	COILTYPE	PAGE	INFO
SUZUKI									
Liana (ER)	1.6 4WD	03.02 -	76	1586	4		CL561	203	pencil/DIN-1
	1.6 4WD	04.02 -	78	1586	4	M16A	CL561	203	pencil/DIN-1
	1.6 i	04.02 -	78	1586	4	M16A	CL561	203	pencil/DIN-1
Liana Combi (ER)	1.3	07.01 -	66	1328	4		CL561	203	pencil/DIN-1
	1.6	07.01 -	76	1586	4	M16A	CL561	203	pencil/DIN-1
	1.6 4WD	07.01 -	76	1586	4		CL561	203	pencil/DIN-1
	1.6 4WD	04.02 -	78	1586	4	M16A	CL561	203	pencil/DIN-1
	1.6 i	04.02 -	78	1586	4	M16A	CL561	203	pencil/DIN-1
Samurai (SJ)	1.3	11.88 -	44	1324	4	G13A	CL588	210	DIN-1
	1.3	11.88 -	47	1324	4	G13A	CL588	210	DIN-1
	1.3 Allrad	11.88 -	51	1298	4	G13BA	CL588	210	DIN-1
	1.3 Allrad	01.00 -	59	1298	4		CL588	210	DIN-1
Swift Cabriolet (SF413)	1.3 i	09.91 - 10.96	50	1298	4	G13BA	CL561	203	pencil/DIN-1
Swift III (SG)	1.3	02.05 -	68	1328	4	M13A	CL561	203	pencil/DIN-1
	1.3 4x4	02.05 -	68	1328	4	M13A	CL561	203	pencil/DIN-1
	1.3 4x4	01.06 -	66	1328	4	M13A	CL561	203	pencil/DIN-1
	1.5	02.05 -	75	1490	4	M15A	CL561	203	pencil/DIN-1
	1.6	05.06 -	92	1586	4	M16A	CL561	203	pencil/DIN-1
SX4 (GY)	1.5	06.06 -	73	1490	4	M15A	CL561	203	pencil/DIN-1
	1.5 VVT	07.10 -	82	1490	4	M15A	CL561	203	pencil/DIN-1
	1.6 VVT	06.06 -	79	1586	4	M16A	CL561	203	pencil/DIN-1
	1.6 VVT	07.09 -	88	1586	4	M16A	CL561	203	pencil/DIN-1
	1.6 VVT 4x4	06.06 -	79	1586	4	M16A	CL561	203	pencil/DIN-1
	1.6 VVT 4x4	07.09 -	82	1586	4	M16A	CL561	203	pencil/DIN-1
	1.6 VVT 4x4	07.09 -	88	1586	4	M16A	CL561	203	pencil/DIN-1
SX4 Sedan (GY)	1.6	10.07 -	79	1586	4	M16A	CL561	203	pencil/DIN-1
Vitara (ET, TA)	1.6 i 16V	07.90 - 03.98	71	1589	4	G16B	CL588	210	DIN-1
	2.0 16V	12.96 - 03.98	97	1995	4	J20A	CL557	202	pencil
	2.0 V6 24V	12.94 - 03.98	100	1998	6	H 20 A	CL512	192	pencil
	,	12.94 - 03.98	100	1998	6	H 20 A	CL557	202	pencil
	2.5 V6 24V	12.95 - 03.98	118	2493	6	H 25 A	CL557	202	pencil
Vitara Cabrio (ET, TA)	1.6 i 16V	07.90 - 03.99	71	1589	4	G16B	CL588	210	DIN-1
	2.0 16V	12.96 - 03.99	97	1995	4	J20A	CL557	202	pencil
Wagon R+ (MM)	1.3	05.00 -	56	1298	4	G13BB	CL561	203	pencil/DIN-1
	1.3	09.03 -	69	1328	4	M13A	CL561	203	pencil/DIN-1
	1.3 4WD	10.01 -	56	1298	4	G13BB	CL561	203	pencil/DIN-1
	1.3 4WD	09.03 -	69	1328	4	M13A	CL561	203	pencil/DIN-1
TOYOTA									
4 Runner (_N130)	3.0 V6	08.91 - 11.95	105	2959	6	3VZ-E	CL578	207	DIN5-1
	3.4 i 4x4	11.95 - 03.96	136	3378	6	5VZ-FE	CL580	208	pencil/PIN-1
Auris (_ZE15_, _RE15_)	1.4 VVTi	03.07 -	71	1398	4	4ZZ-FE	CL555	201	pencil
	1.6	05.09 -	97	1598	4	1ZR-FAE	CL581	208	pencil
	1.6 VVTi	03.07 -	91	1598	4	1ZR-FE	CL581	208	pencil
	1.8	02.09 -	108	1798	4	2ZR-FAE	CL581	208	pencil
Avensis (_T22_)	1.6	09.97 - 10.00	74	1587	4	4A-FE	CL514	193	PIN-1
	1.6	09.97 - 10.00	81	1587	4	4A-FE	CL514	193	PIN-1
	1.6 VVT-i	10.00 - 02.03	81	1598	4	3ZZ-FE	CL555	201	pencil
	1.8 VVT-i	10.00 - 02.03	95	1794	4	1ZZ-FE	CL555	201	pencil
	2.0 VVT-i	10.00 - 02.03	110	1998	4	1AZ-FSE	CL564	204	pencil
Avensis (T25)	1.6 VVT-i	04.03 -	81	1598	4	3ZZ-FE	CL555	201	pencil
	1.8	04.03 -	95	1794	4	1ZZ-FE	CL555	201	pencil
	2.0	04.03 -	108	1998	4	1AZ-FSE	CL564	204	pencil
	2.4	10.03 -	120	2362	4	2AZ-FSE	CL564	204	pencil
	2.4	09.03 -	125	2362	4	2AZ-FSE	CL564	204	pencil
Avensis Combi (T25)	1.6 VVT-i	04.03 -	81	1598	4	3ZZ-FE	CL555	201	pencil
	1.8	04.03 -	95	1794	4	1ZZ-FE	CL555	201	pencil
	2.0	04.03 -	108	1998	4	1AZ-FSE	CL564	204	pencil
	2.4	10.03 -	120	2362	4	2AZ-FSE	CL564	204	pencil
	2.4	09.03 -	125	2362	4	2AZ-FSE	CL564	204	pencil
Avensis Liftback (_T22_)	1.6	09.97 - 10.00	74	1587	4	4A-FE	CL514	193	PIN-1

CAR	MODEL	YEAR	kW	ccm	CYL	MOTOR	COILTYPE	PAGE	INFO
TOYOTA									
Avensis Liftback (_T22_)	1.6	09.97 - 10.00	81	1587	4	4A-FE	CL514	193	PIN-1
	1.6 VVT-i	10.00 - 02.03	81	1598	4	3ZZ-FE	CL555	201	pencil
	1.8 VVT-i	10.00 - 02.03	95	1794	4	1ZZ-FE	CL555	201	pencil
	2.0 VVT-i	10.00 - 02.03	110	1998	4	1AZ-FSE	CL564	204	pencil
Avensis Sedan (T25)	1.6 VVT-i	04.03 -	81	1598	4	3ZZ-FE	CL555	201	pencil
	1.8	04.03 -	95	1794	4	1ZZ-FE	CL555	201	pencil
	2.0	04.03 -	108	1998	4	1AZ-FSE	CL564	204	pencil
	2.4	10.03 -	120	2362	4	2AZ-FSE	CL564	204	pencil
	2.4	09.03 -	125	2362	4	2AZ-FSE	CL564	204	pencil
Avensis Sedan (T27)	1.6	02.09 -	97	1598	4	1ZR-FAE	CL581	208	pencil
	1.8	02.09 -	108	1798	4	2ZR-FAE	CL581	208	pencil
	2.0	02.09 -	112	1987	4	3ZR-FAE	CL581	208	pencil
Avensis Station Wagon (_T22_)	1.6	09.97 - 10.00	74	1587	4	4A-FE	CL514	193	PIN-1
	1.6	09.97 - 10.00	81	1587	4	4A-FE	CL514	193	PIN-1
	1.6 VVT-i	10.00 - 02.03	81	1598	4	3ZZ-FE	CL555	201	pencil
	1.8 VVT-i	10.00 - 02.03	95	1794	4	1ZZ-FE	CL555	201	pencil
Avensis Station Wagon (T27)	1.6	02.09 -	97	1598	4	1ZR-FAE	CL581	208	pencil
	1.8	02.09 -	108	1798	4	2ZR-FAE	CL581	208	pencil
	2.0	02.09 -	112	1987	4	3ZR-FAE	CL581	208	pencil
Avensis Verso (_ACM2_)	2.0 VVT-i	08.01 -	110	1998	4	1AZ-FE	CL579	208	pencil
	2.0 VVT-i	09.05 -	110	1998	4	1AZ-FE	CL564	204	pencil
Aygo (B10)	1.0	07.05 -	50	998	3	1KR-FE	CL542	198	pencil
							CL555	201	pencil
Camry (_CV1_,_XV1_,_V1_)	2.2	06.91 - 08.96	100	2164	4	5S-FE	CL568	205	—
Camry (_CV2_,_XV2_)	2.2	08.96 - 11.01	96	2164	4	5S-FE	CL568	205	—
	2.2	11.00 - 11.01	93	2164	4	5S-FE	CL578	207	DIN5-1
	3.0 24V	08.96 - 11.01	140	2995	6	1M2-FE	CL571	206	pencil
	3.0 V6	08.96 - 11.01	135	2995	6	1M2-FE	CL571	206	pencil
Camry (_V2_)	2.5 V6 GXI	02.88 - 05.91	118	2508	6	2VZ-FE	CL574	207	DIN-1
Camry (_XV3_)	2.4 VVT-i	11.01 -	112	2362	4	2AZ-FE	CL579	208	pencil
	3.0 V6	11.01 -	137	2995	6	1M2-FE	CL571	206	pencil
Camry Station Wagon (_V2_)	2.5	01.90 - 05.91	118	2508	6	2VZ-FE	CL574	207	DIN-1
Camry Station Wagon (_XV1_,_CV1_,_V10)	2.2	03.92 - 07.96	100	2164	4	5S-FE	CL568	205	—
Carina E (_T19_)	1.6	12.93 - 09.97	73	1587	4	4A-FE	CL514	193	PIN-1
	1.6	12.93 - 09.97	85	1587	4	4A-FE	CL513	193	—
								193	PIN-1
	1.6 16V	10.95 - 09.97	78	1587	4	4A-FE	CL514	193	PIN-1
	1.6 GLI	04.92 - 09.97	79	1587	4	4A-FE	CL513	193	—
								193	PIN-1
	2.0 GLI	04.92 - 09.97	98	1998	4	3S-FE	CL568	205	—
	2.0 GTi	04.92 - 02.94	116	1998	4	3S-GE	CL568	205	—
	2.0 GTi 16V	03.94 - 09.97	129	1998	4	3S-GE	CL568	205	—
	2.0 i	12.93 - 09.97	93	1998	4	3S-FE	CL568	205	—
Carina E Sedan (_T19_)	1.6	01.93 - 09.97	79	1587	4	4A-FE	CL513	193	—
							CL514	193	PIN-1
	1.6	01.95 - 09.97	73	1587	4	4A-FE	CL514	193	PIN-1
	1.6	10.95 - 09.97	78	1587	4	4A-FE	CL514	193	PIN-1
	1.6 16V	12.94 - 09.97	85	1587	4	4A-FE	CL513	193	—
							CL514	193	PIN-1
	2.0	01.93 - 09.97	98	1998	4	3S-FE	CL568	205	—
	2.0 GTi	04.92 - 02.94	116	1998	4	3S-GE	CL568	205	—
	2.0 GTi 16V	03.94 - 09.97	129	1998	4	3S-GE	CL568	205	—
	2.0 i	12.92 - 09.97	93	1998	4	3S-FE	CL568	205	—
Carina E Sportswagon (_T19_)	1.6 GLI	01.93 - 09.97	79	1587	4	4A-FE	CL513	193	—
	1.6 i	02.95 - 09.97	73	1587	4	4A-FE	CL514	193	PIN-1
	2.0 GLI	01.93 - 09.97	98	1998	4	3S-FE	CL568	205	—
	2.0 i	05.95 - 09.97	93	1998	4	3S-FE	CL568	205	—
Carina II (_T17_)	1.6	12.87 - 11.89	66	1587	4	4A-F	CL513	193	—
Carina II Sedan (_T17_)	1.6	12.87 - 08.90	66	1587	4	4A-F	CL513	193	—

CAR	MODEL	YEAR	kW	ccm	CYL	MOTOR	COILTYPE	PAGE	INFO
TOYOTA									
Carina II Sedan (_T17_)	1.6	12.87 - 03.92	72	1587	4	4A-FE	CL513	193	—
	1.6	12.87 - 03.92	75	1587	4	4A-FE	CL513	193	—
Carina II Station Wagon (_T17_)	1.6	12.87 - 12.89	66	1587	4	4A-F	CL513	193	—
Celica (ST16_)	1.6	04.86 - 02.90	63	1588	4	4A-L	CL513	193	—
Celica (_T20_)	1.8 i 16V	11.93 - 11.99	85	1762	4	7A-FE	CL513	193	—
Celica (ZTZ23_)	1.8 16VVT-i	11.99 -	105	1794	4	1ZZ-FE	CL555	201	pencil
	1.8 16VTS	11.99 -	141	1796	4	2ZZ-GE	CL577	207	pencil
Celica Cabriolet (_T18_)	2.0 GTi	05.91 - 01.94	115	1998	4	3S-GE	CL578	207	DINS-1
Celica Coupe (_T18_)	2.0 GTi	10.89 - 01.94	115	1998	4	3S-GE	CL578	207	DINS-1
	2.0 Turbo 4WD	10.89 - 01.94	150	1998	4	3S-GTE	CL578	207	DINS-1
	2.0 Turbo 4WD	10.89 - 01.94	153	1998	4	3S-GTE	CL578	207	DINS-1
Celica Liftback (T16)	1.6	04.86 - 02.90	63	1588	4	4A-L	CL513	193	—
Corolla (_E8_)	1.3	10.84 - 08.87	55	1295	4	2E-LC/2E-L	CL513	193	—
	1.6	08.85 - 08.87	53	1587	4	4A-LC	CL513	193	—
	1.6	12.85 - 05.88	54	1587	4	4A-LC	CL513	193	—
	1.6	06.83 - 08.87	62	1588	4	4A-L	CL513	193	—
Corolla (_E9_)	1.3 i	08.87 - 12.92	55	1296	4	2E-E/2E	CL513	193	—
	1.6	08.87 - 12.89	66	1587	4	4A-F	CL513	193	—
Corolla (_E10_)	1.3 12V	07.92 - 04.97	53	1296	4	2E	CL513	193	—
	1.3 XLI	09.95 - 04.97	55	1332	4	4E-FE	CL513	193	—
	1.3 XLI 16V	07.92 - 09.95	65	1332	4	4E-FE	CL513	193	—
	1.6 Si	09.95 - 04.97	84	1587	4	4A-FE	CL513	193	—
Corolla (_E11_)	1.4	04.97 - 02.00	63	1332	4	4E-FE	CL513	193	—
	1.4 16V	02.00 - 01.02	71	1398	4	4ZZ-FE	CL542	198	pencil
	1.6 16V	02.00 - 01.02	81	1598	4	3ZZ-FE	CL555	201	pencil
	1.6 Aut.	04.97 - 02.00	79	1587	4	4A-FE	CL513	193	—
Corolla (_E12U_ , _E12J_)	1.4 VVT-i	01.02 - 12.06	71	1398	4	4ZZ-FE	CL555	201	pencil
	1.6 VVT-i	01.02 - 12.06	81	1598	4	3ZZ-FE	CL555	201	pencil
	1.8 VVT-i TS	01.02 -	141	1796	4	2ZZ-GE	CL577	207	pencil
	1.8 VVT-i TS	10.05 - 12.06	160	1796	4	2ZZ-GE	CL577	207	pencil
	1.8 VVT-i TS	02.05 -	165	1796	4	2ZZ-GE	CL577	207	pencil
Corolla Combi (_E12J_ , _E12T_)	1.4 VVT-i	01.02 -	71	1398	4	4ZZ-FE	CL555	201	pencil
	1.6 VVT-i	01.02 -	81	1598	4	3ZZ-FE	CL555	201	pencil
Corolla FX Compact (E8B)	1.3	08.85 - 08.87	55	1295	4	2E-L	CL513	193	—
Corolla Compact (_E9_)	1.3	08.87 - 12.89	55	1296	4	2E	CL513	193	—
	1.3 i	06.89 - 04.92	55	1296	4	2E-E	CL513	193	—
	1.6	08.87 - 04.92	66	1587	4	4A-F	CL513	193	—
Corolla Compact (_E10_)	1.3 12V	07.92 - 05.95	53	1296	4	2E	CL513	193	—
	1.3 XLI	09.95 - 04.97	55	1332	4	4E-FE	CL513	193	—
	1.3 XLI 16V	07.92 - 09.95	65	1332	4	4E-FE	CL513	193	—
	1.6 Si	07.92 - 04.97	84	1587	4	4A-FE	CL513	193	—
	1.8 GT	11.92 - 05.95	86	1762	4	7A-FE	CL513	193	—
	1.8 GTi 4x4	05.92 - 07.95	92	1762	4		CL513	193	—
Corolla Compact (_E11_)	1.4	04.97 - 02.00	63	1332	4	4E-FE	CL513	193	—
	1.4	02.00 - 01.02	71	1398	4	4ZZ-FE	CL542	198	pencil
	1.6	04.97 - 02.00	81	1587	4	4A-FE	CL513	193	—
	1.6	02.00 - 01.02	81	1598	4	3ZZ-FE	CL555	201	pencil
	1.6 Aut.	04.97 - 02.00	79	1587	4	4A-FE	CL513	193	—
Corolla Liftback (_E8_)	1.3	01.85 - 08.87	55	1296	4	2E-LC/2E-L	CL513	193	—
	1.6	08.85 - 08.87	54	1587	4	4A-LC	CL513	193	—
	1.6	06.83 - 08.87	62	1588	4	4A-L	CL513	193	—
	1.6	07.85 - 05.88	63	1587	4	4A-L	CL513	193	—
Corolla Liftback (_E9_)	1.3 i	08.87 - 04.92	55	1296	4	2E-E/2E	CL513	193	—
	1.6	08.87 - 04.92	66	1587	4	4A-F	CL513	193	—
Corolla Liftback (_E10_)	1.3 12V	07.92 - 05.95	53	1296	4	2E	CL513	193	—
	1.3 XLI	07.92 - 04.97	65	1332	4	4E-FE	CL513	193	—
	1.6 GLI	07.92 - 04.97	84	1587	4	4A-FE	CL513	193	—
	1.8 GT	11.92 - 05.95	86	1762	4	7A-FE	CL513	193	—
	1.8 GTi 4x4	05.92 - 07.95	92	1762	4	7A-FE	CL513	193	—
Corolla Liftback (_E11_)	1.4	04.97 - 02.00	63	1332	4	4E-FE	CL513	193	—

CAR	MODEL	YEAR	kW	ccm	CYL	MOTOR	COILTYPE	PAGE	INFO
TOYOTA									
Corolla Liftback (_E11_)	1.4	02.00 - 01.02	71	1398	4	4ZZ-FE	CL542	198	pencil
	1.6	04.97 - 02.00	81	1587	4	4A-FE	CL513	193	—
	1.6	02.00 - 01.02	81	1598	4	3ZZ-FE	CL555	201	pencil
	1.6 Aut.	04.97 - 02.00	79	1587	4	4A-FE	CL513	193	—
Corolla Sedan (_E12J_, _E12T_)	1.4 VVT-i	08.02 -	71	1398	4	4ZZ-FE	CL555	201	pencil
	1.6 VVT-i	08.02 -	81	1598	4	3ZZ-FE	CL555	201	pencil
Corolla Station Wagon (_E9_)	1.3	12.87 - 12.89	55	1296	4	2E	CL513	193	—
	1.3 i	06.89 - 06.92	55	1296	4	2E-E	CL513	193	—
	1.6	12.87 - 04.92	70	1587	4	4A-F	CL513	193	—
	1.6	02.88 - 05.92	66	1587	4	4A-F	CL513	193	—
Corolla Verso (_E12J_)	1.4 VVT-i	01.02 - 05.04	71	1398	4	4ZZ-FE	CL555	201	pencil
	1.6 VVT-i	01.02 - 05.04	81	1598	4	3ZZ-FE	CL555	201	pencil
	1.8 VVT-i	01.02 - 05.04	99	1794	4	1ZZ-FE	CL555	201	pencil
Corolla Verso (ZER_, ZZE_, R1_)	1.6	04.04 -	81	1598	4	3ZZ-FE	CL555	201	pencil
	1.8	04.04 -	95	1794	4	1ZZ-FE	CL555	201	pencil
Corolla Wagon (_E10_)	1.3 12V	07.92 - 05.95	53	1296	4	2E	CL513	193	—
	1.3 XLI	09.95 - 04.97	55	1332	4	4E-FE	CL513	193	—
	1.3 XLI 16V	07.92 - 09.95	65	1332	4	4E-FE	CL513	193	—
	1.6 Si	07.92 - 04.97	84	1587	4	4A-FE	CL513	193	—
	1.8 16V 4WD	09.95 - 04.97	81	1762	4	7A-FE	CL513	193	—
Corolla Wagon (_E11_)	1.4	04.97 - 02.00	63	1332	4	4E-FE	CL513	193	—
	1.4 16V	02.00 - 01.02	71	1398	4	4ZZ-FE	CL542	198	pencil
	1.6	04.97 - 02.00	81	1587	4	4A-FE	CL513	193	—
	1.6 Aut.	04.97 - 02.00	79	1587	4	4A-FE	CL513	193	—
	1.6 16V	02.00 - 01.02	81	1598	4	3ZZ-FE	CL555	201	pencil
Hiace III Van (H50)	2.0	02.90 - 08.95	74	1998	4	1RZ	CL513	193	—
	2.4	08.89 - 08.95	88	2438	4	2RZ-E	CL513	193	—
	2.4 4WD	08.89 - 08.95	88	2438	4	2RZ-E	CL513	193	—
Hiace III Wagon (H50)	2.0	08.89 - 08.95	74	1998	4	1RZ	CL513	193	—
	2.4	08.89 - 08.95	88	2438	4	2RZ-E	CL513	193	—
	2.4 4WD	08.89 - 08.95	88	2438	4	2RZ-E	CL513	193	—
Hiace IV Van	2.4	08.95 - 04.98	85	2438	4	2RZ-E	CL513	193	—
	2.4 4WD	08.95 - 04.98	85	2438	4	2RZ-E	CL513	193	—
	2.7	04.98 -	105	2694	4	3RZ-FE	CL576	207	pencil
	2.7 4WD	04.98 -	105	2694	4	3RZ-FE	CL576	207	pencil
Hiace IV Wagon	2.4	08.95 - 04.98	85	2438	4	2RZ-E	CL513	193	—
	2.4 4WD	08.95 - 04.98	85	2438	4	2RZ-E	CL513	193	—
	2.7	04.98 - 11.01	105	2694	4	3RZ-FE	CL576	207	pencil
	2.7	11.01 -	106	2694	4	3RZ-FE	CL576	207	pencil
	2.7 4WD	04.98 -	105	2694	4	3RZ-FE	CL576	207	pencil
Hilux II Pick-up (_N_)	2.4 i 4WD	06.89 -	84	2366	4	22RE	CL568	205	—
IQ (_GJ1_, AJ1)	1.0	01.09 -	50	998	3	1KR-FE	CL520	194	pencil
Land Cruiser 80 (_J8_)	4.0	01.90 - 08.92	115	3956	6	3F-E	CL574	207	DIN-1
Land Cruiser 90 (_J9_)	3.4 i 24V	04.96 -	131	3378	6	5VZ-FE	CL580	208	pencil/PIN-1
Land Cruiser 100 (_J10_)	4.7	01.98 -	173	4664	8	2UZ-FE	CL575	207	pencil
	4.7	02.02 -	175	4664	8	2UZ-FE	CL575	207	pencil
Land Cruiser (J12_)	2.7	09.02 - 08.04	112	2694	4	3RZ-FE	CL576	207	pencil
	4.0	01.03 -	183	3956	6	1GR-FE	CL564	204	pencil
Land Cruiser (_URJ20_, J20_)	4.7 V8	01.08 -	212	4664	8	2UZ-FE	CL575	207	pencil
Liteace Bus (_R2_LG)	1.5	01.92 - 01.95	52	1486	4	5K	CL578	207	DIN5-1
Liteace Bus (CM30_G, KM30_G)	1.5	10.85 - 08.89	51	1486	4	5K	CL578	207	DIN5-1
	1.5	07.89 - 01.92	52	1486	4	5K	CL578	207	DIN5-1
Liteace Van (_R2__V)	1.5	01.92 - 01.95	52	1486	4	5K	CL578	207	DIN5-1
Liteace Van (CM3_V, KM3_V)	1.5	05.86 - 09.91	51	1486	4	5K	CL578	207	DIN5-1
MR 2 II (_W2_)	2.0 16V	12.89 - 12.91	115	1998	4	3S-GE	CL574	207	DIN-1
	2.0 16V	12.91 - 05.00	115	1998	4	3S-GE	CL578	207	DIN5-1
	2.0 16V	12.89 - 12.91	125	1998	4	3S-GE	CL574	207	DIN-1
	2.0 16V	12.91 - 05.00	125	1998	4	3S-GE	CL578	207	DIN5-1
	2.0 16V	12.89 - 12.91	129	1998	4	3S-GE	CL574	207	DIN-1
	2.0 16V	12.91 - 05.00	129	1998	4	3S-GE	CL578	207	DIN5-1

CAR	MODEL	YEAR	kW	ccm	CYL	MOTOR	COILTYPE	PAGE	INFO
TOYOTA									
MR 2 III (_W3_)	1.8 16VVT-i	04.00 -	103	1794	4	1ZZ-FE	CL555	201	pencil
Paseo Cabriolet (EL54)	1.5 16V	10.96 - 03.99	66	1497	4	5E-FE	CL568	205	—
Paseo Coupe (EL54)	1.5 16V	08.95 - 07.99	66	1497	4	5E-FE	CL568	205	—
Previa (CLR3_ , ACR3_)	2.4 16V	08.00 -	115	2362	4	2AZ-FE	CL579	208	pencil
Prius Liftback	1.5	08.03 -	57	1497	4	1NZ-FXE	CL520	194	pencil
Prius Sedan (NHW11_)	1.5	05.00 - 01.04	53	1497	4	1NZ-FXE	CL520	194	pencil
RAV 4 I (SXA1_)	2.0 16V	06.94 - 06.00	95	1998	4	3S-FE	CL568	205	—
RAV 4 I Cabrio (SXA1_)	2.0 16V	12.97 - 06.00	94	1998	4	3S-FE	CL568	205	—
RAV 4 II (XA2)	1.8 VVTi	02.01 -	92	1794	4	1ZZ-FE	CL555	201	pencil
	2.0 VVTi 4WD	06.00 -	110	1998	4	1AZ-FE	CL579	208	pencil
RAV 4 III (ZSA_ , ACA_ , ACE_ , ALA_ , GSA3_)	2.0	12.08 -	116	1987	4	3ZR-FAE	CL581	208	pencil
	2.0 FWD	12.08 -	116	1987	4	3ZR-FAE	CL581	208	pencil
	2.0 VVT-i 4WD	03.06 -	112	1998	4	1AZ-FE	CL579	208	pencil
Starlet (_P7_)	1.3	10.84 - 12.89	55	1295	4	2E-LC	CL513	193	—
Starlet (_P8_)	1.0	12.89 - 12.92	40	999	4	1E	CL513	193	—
	1.3 12V	12.89 - 12.92	55	1296	4	2E-E/2E	CL513	193	—
	1.3 12V cat	12.89 - 03.96	55	1296	4	2E-E	CL513	193	—
Starlet (EP91)	1.3	04.96 - 03.99	55	1332	4	4E-FE	CL513	193	—
Verso (_ZGR2_)	1.6	04.09 -	97	1598	4	1ZR-FAE	CL581	208	pencil
	1.8	04.09 -	108	1798	4	2ZR-FAE	CL581	208	pencil
Yaris (_P1_)	1.3	04.02 -	64	1298	4	2SZ-FE	CL520	194	pencil
	1.0 16V	04.99 -	50	998	4	1SZ-FE	CL520	194	pencil
	1.0 16V	03.03 -	48	998	4	1SZ-FE	CL520	194	pencil
	1.3 16V	11.99 -	63	1299	4	2NZ-FE	CL520	194	pencil
	1.5 TS	01.03 -	77	1497	4	1NZ-FE	CL520	194	pencil
	1.5 VVT-i TS	04.01 -	78	1497	4	1NZ-FE	CL520	194	pencil
	1.5 VVT-i TS	03.03 - 07.05	110	1497	4		CL520	194	pencil
Yaris (_P9_)	1.0 VVT-i	01.06 -	51	998	3	1KR-FE	CL542	198	pencil
							CL555	201	pencil
	1.3 VVT-i	01.06 -	64	1298	4	2SZ-FE	CL520	194	pencil
	1.33 VVT-i	03.09 -	74	1329	4	1NR-FE	CL520	194	pencil
	1.33 VVT-i	07.10 -	73	1329	4	1NR-FE	CL520	194	pencil
	1.8 VVTi	01.07 -	98	1798	4	2ZR-FE	CL581	208	pencil
							CL581	208	pencil
Yaris Verso (NC/LP2_)	1.3	11.99 -	62	1299	4	2NZ-FE	CL520	194	pencil
	1.3	11.99 -	63	1299	4	2NZ-FE	CL520	194	pencil
	1.5	03.00 -	78	1497	4	1NZ-FE	CL520	194	pencil
	1.5	05.03 -	77	1497	4	1NZ-FE	CL520	194	pencil
VAZ									
1117 Kalina Combi	1.4i 16V	11.08 -	66	1390	4	VAZ-11194	CL800	229	pencil
	1.4i 16V LPG	11.08 -	65	1390	4		CL800	229	pencil
	1.6i 8V	10.04 -	60	1596	4	VAZ-21114	CL802	229	PIN-4
1118 Kalina Sedan	1.4i 16V	11.08 -	66	1390	4	VAZ-11194	CL800	229	pencil
	1.4i 16V LPG	11.08 -	65	1390	4		CL800	229	pencil
	1.6i 8V	10.04 -	60	1596	4	VAZ-21114	CL802	229	PIN-4
1119 Kalina Hatchback	1.4i 16V	11.08 -	66	1390	4	VAZ-11194	CL800	229	pencil
	1.4i 16V LPG	11.08 -	65	1390	4		CL800	229	pencil
	1.6i 8V	10.04 -	60	1596	4	VAZ-21114	CL802	229	PIN-4
21099 Samara	1.5i 8V	04.96 -	57	1499	4	VAZ-2111	CL801	229	PIN-4
2110 Lada 110	1.6i 16V	01.00 -	66	1596	4	VAZ-21124	CL800	229	pencil
21101 Lada 110	1.6i 8V	01.00 -	60	1596	4	VAZ-21114	CL802	229	PIN-4
21102 Lada 110	1.5i 8V	01.95 -	57	1499	4	VAZ-2111	CL801	229	PIN-4
2111 Lada 111	1.5i 8V	01.96 -	57	1499	4	VAZ-2111	CL801	229	PIN-4
	1.6i 16V	01.05 -	66	1596	4	VAZ-21124	CL800	229	pencil
21112 Lada 111	1.6i 8V	01.05 -	60	1596	4	VAZ-21114	CL802	229	PIN-4
2112 Lada 112	1.6i 16V	01.05 -	66	1596	4	VAZ-21124	CL800	229	pencil
21121 Lada 112	1.6i 8V	01.05 -	60	1596	4	VAZ-21114	CL802	229	PIN-4
21122 Lada 112	1.5i 8V	01.95 -	57	1499	4	VAZ-2111	CL801	229	PIN-4
2113 Samara 2	1.5i 8V	01.00 -	57	1499	4	VAZ-2111	CL801	229	PIN-4
2114 Lada 114	1.5i 8V	01.00 -	57	1499	4	VAZ-2111	CL801	229	PIN-4
2115 Lada 115	1.5i 8V	01.00 -	57	1499	4	VAZ-2111	CL801	229	PIN-4

CAR	MODEL	YEAR	kW	ccm	CYL	MOTOR	COILTYPE	PAGE	INFO	
VAZ										
2170 Priora Sedan	1.6i 16V	12.08 -	72	1596	4	VAZ-21126	CL800	229	pencil	
	1.6i 16V LPG	03.09 -	71	1596	4		CL800	229	pencil	
2171 Priora Combi	1.6i 16V	10.09 -	72	1596	4	VAZ-21126	CL800	229	pencil	
2172 Priora Hatchback	1.6i 16V	12.08 -	72	1596	4	VAZ-21126	CL800	229	pencil	
	1.6i 16V LPG	12.08 -	71	1596	4		CL800	229	pencil	
VOLVO										
340-360 (343, 345)	1.4	08.82 - 08.85	46	1397	4	B 14.3 E	CL118	153	SAE-1	
	1.4	08.86 - 12.88	50	1397	4	B 14.4 S	CL118	153	SAE-1	
	1.4	08.87 - 07.88	51	1397	4	B 14.4 S	CL118	153	SAE-1	
	1.7	08.85 - 07.91	59	1721	4	B 17.2 K	CL118	153	SAE-1	
	2.0	08.84 - 07.87	77	1986	4	B 200 K	CL118	153	SAE-1	
	2.0	08.88 - 07.89	80	1986	4	B 200 F	CL118	153	SAE-1	
	2.0	08.87 - 07.88	81	1986	4	B 200 F	CL118	153	SAE-1	
	2.0	08.86 - 07.88	82	1986	4	B 200 E/B 200 F	CL118	153	SAE-1	
	2.0	08.84 - 07.86	87	1986	4	B 200 E	CL118	153	SAE-1	
340-360 Sedan (344)	1.4	08.87 - 07.88	51	1397	4	B 14.4 S	CL118	153	SAE-1	
	1.7	08.85 - 07.91	59	1721	4	B 17.2 K	CL118	153	SAE-1	
	2.0	08.84 - 07.90	75	1986	4	B 200 K	CL118	153	SAE-1	
	2.0	08.84 - 07.87	77	1986	4	B 200 K	CL118	153	SAE-1	
	2.0	08.87 - 07.88	81	1986	4	B 200 EA	CL118	153	SAE-1	
	2.0	08.86 - 07.88	82	1986	4	B 200 EA	CL118	153	SAE-1	
	2.0	08.84 - 07.86	85	1986	4	B 200 E	CL118	153	SAE-1	
	2.0	08.84 - 07.86	87	1986	4	B 200 E	CL118	153	SAE-1	
440 K (445)	1.6	09.88 - 12.96	61	1596	4	B 16 F	CL118	153	SAE-1	
	1.7	09.88 - 12.96	64	1721	4	B 18 KP	CL118	153	SAE-1	
	1.7	08.88 - 07.89	70	1721	4	B 18 F	CL118	153	SAE-1	
	1.7	08.89 - 12.96	75	1721	4	B 18 FP	CL118	153	SAE-1	
	1.8	09.95 - 12.96	66	1794	4	B 18 U	CL118	153	SAE-1	
	1.8	08.91 - 07.96	66	1794	4	B 18 U	CL118	153	SAE-1	
	2.0	08.93 - 07.96	80	1998	4	B 20 F	CL118	153	SAE-1	
	2.0	08.92 - 07.95	81	1998	4	B 20 F	CL118	153	SAE-1	
	460 L (464)	1.6	07.92 - 07.96	61	1596	4	B 16 F	CL118	153	SAE-1
		1.7	09.88 - 07.96	64	1721	4	B 18 KP	CL118	153	SAE-1
1.7		08.89 - 07.92	75	1721	4	B 18 EP	CL118	153	SAE-1	
1.8		08.91 - 07.96	66	1794	4	B 18 U	CL118	153	SAE-1	
2.0		08.93 - 07.96	80	1998	4	B 20 F	CL118	153	SAE-1	
2.0		08.92 - 07.95	81	1998	4	B 20 F	CL118	153	SAE-1	
480 E	1.7	08.87 - 07.89	70	1721	4	B 18 F	CL118	153	SAE-1	
	1.7	08.89 - 07.96	75	1721	4	B 18 EP	CL118	153	SAE-1	
	1.7	04.86 - 07.89	78	1721	4	B 18 E	CL118	153	SAE-1	
	1.7	08.86 - 07.88	80	1721	4	B 18 E	CL118	153	SAE-1	
	2.0	08.92 - 09.95	81	1998	4	B 20 F	CL118	153	SAE-1	
850 (LS)	2.0	06.91 - 12.96	105	1984	5	B 5204 F	CL119	154	PIN-1	
	2.0	08.94 - 12.96	93	1984	5	B 5202 S	CL119	154	PIN-1	
	2.0 Turbo	08.93 - 12.96	155	1984	5	B 5204 T/B 5204 FT	CL119	154	PIN-1	
	2.3 T5	08.93 - 07.96	166	2319	5	B 5234 FT	CL119	154	PIN-1	
	2.3 T5-R	08.95 - 12.96	184	2319	5	B 5234 T4	CL119	154	PIN-1	
	2.5	06.91 - 07.94	103	2435	5	B 5252	CL119	154	PIN-1	
	2.5	08.91 - 12.96	125	2435	5	B 5254 S	CL119	154	PIN-1	
	2.5	08.94 - 12.96	106	2435	5	B 5252 S	CL119	154	PIN-1	
850 Combi (LW)	2.0	02.93 - 12.96	105	1984	5	B 5204 F	CL119	154	PIN-1	
	2.0	08.94 - 12.96	93	1984	5	B 5202 S	CL119	154	PIN-1	
	2.0 Turbo	02.93 - 12.96	155	1984	5	B 5204 T/B 5204 FT	CL119	154	PIN-1	
	2.3 T5	02.93 - 12.96	166	2319	5	B 5234 FT	CL119	154	PIN-1	
	2.3 T5-R	08.95 - 12.96	184	2319	5	B 5234 T4	CL119	154	PIN-1	
	2.5	08.92 - 07.94	103	2435	5	B 5252	CL119	154	PIN-1	
	2.5	09.92 - 12.96	125	2435	5	B 5254 S	CL119	154	PIN-1	
	2.5	08.94 - 12.96	106	2435	5	B 5252 S	CL119	154	PIN-1	
	2.5 AWD	04.96 - 12.96	142	2435	5	B 5254 T	CL119	154	PIN-1	
	C30	1.6	10.06 -	74	1596	4	B 4164 S3	CL403	184	PIN-4

CAR	MODEL	YEAR	kW	ccm	CYL	MOTOR	COILTYPE	PAGE	INFO
VOLVO									
C30	1.8	10.06 -	92	1798	4	B 4184 S11	CL405	185	pencil
	1.8 Flexfuel	01.07 -	92	1798	4	B 4184 S8	CL405	185	pencil
	2.0	10.06 -	107	1999	4	B 4204 S3	CL405	185	pencil
	2.0 Flexfuel	01.10 -	107	1999	4	B 4204 S4	CL405	185	pencil
	2.4 i	10.06 -	125	2435	5	B 5244 S4	CL410	187	pencil
	2.5T5	10.06 -	162	2521	5	B 5254T3	CL410	187	pencil
	2.5T5	03.07 -	169	2521	5	B 5254T7	CL410	187	pencil
C70 I Cabriolet	2.0	03.98 - 10.05	132	1984	5	B 5204T2	CL119	154	PIN-1
	2.0T	03.00 - 10.05	120	1984	5	B 5204T4	CL121	155	pencil
	2.0T	03.98 - 10.05	166	1984	5	B 5204T3	CL121	155	pencil
	2.3T5	03.98 - 10.05	176	2319	5	B 5234T3	CL121	155	pencil
	2.3T5	07.02 - 10.05	180	2319	5	B 5234T9	CL121	155	pencil
	2.4T	07.02 - 10.05	147	2435	5	B 5244T7	CL121	155	pencil
	2.5	06.98 - 10.05	125	2435	5	B 5254 S	CL121	155	pencil
	2.5T	03.98 - 10.05	142	2435	5	B 5254T/B 5244T	CL121	155	pencil
C70 I Coupe	2.0	03.97 - 09.02	132	1984	5	B 5204T2	CL119	154	PIN-1
	2.0T	03.97 - 07.98	166	1984	5	B 5204T3	CL119	154	PIN-1
	2.0T	03.00 - 09.02	120	1984	5	B 5204T4	CL121	155	pencil
	2.0T	08.98 - 09.02	166	1984	5	B 5204T3	CL121	155	pencil
	2.3T5	03.97 - 07.98	176	2319	5	B 5234T3	CL119	154	PIN-1
	2.3T5	08.98 - 09.02	176	2319	5	B 5234T3	CL121	155	pencil
	2.5	03.99 - 09.02	121	2435	5	B 5254 S	CL121	155	pencil
	2.5	05.99 - 09.02	125	2435	5	B 5244 S/B 5254 S	CL121	155	pencil
	2.5T	03.97 - 09.02	142	2435	5	B 5254T/B 5244T	CL119	154	PIN-1
C70 II Cabriolet	2.4	03.06 -	103	2435	5	B 5244 S5	CL410	187	pencil
	2.4 i	03.06 -	125	2435	5	B 5244 S4	CL410	187	pencil
	2.5T5	03.06 -	162	2521	5	B 5254T3	CL410	187	pencil
	2.5T5	03.07 -	169	2521	5	B 5254T7	CL410	187	pencil
S40 I (VS)	1.6	09.95 - 08.99	77	1588	4	B 4164 S	CL136	160	SAE-2
							CL137	160	SAE-2
	1.6	03.99 - 12.03	80	1587	4	B 4164 S2	CL136	160	SAE-2
							CL137	160	SAE-2
	1.8	07.95 - 08.99	85	1731	4	B 4184 S3/B 4184 S	CL136	160	SAE-2
							CL137	160	SAE-2
	1.8	03.99 - 12.03	90	1783	4	B 4184 S2/B 4184 S9	CL707	227	pencil/PIN-1
	1.8 i	03.98 - 12.03	92	1834	4	B 4184 SM	CL136	160	SAE-2
							CL137	160	SAE-2
	1.8 i	06.01 - 12.03	90	1834	4	B 4184 SJ	CL707	227	pencil/PIN-1
	1.9T4	05.97 - 07.00	147	1855	4	B 4194T/B 4194 T2	CL707	227	pencil/PIN-1
	2.0	07.95 - 12.03	100	1948	4	B 4204 S2/B 4204 S	CL136	160	SAE-2
							CL137	160	SAE-2
	2.0	07.95 - 08.99	103	1948	4	B 4204 S	CL136	160	SAE-2
							CL137	160	SAE-2
	2.0T	10.97 - 07.00	118	1948	4	B 4204T	CL707	227	pencil/PIN-1
	2.0T	06.01 - 12.03	120	1948	4	B 4204T3	CL707	227	pencil/PIN-1
	2.0T	07.00 - 06.01	121	1948	4	B 4204T3	CL707	227	pencil/PIN-1
	2.0T4	07.00 - 12.03	147	1948	4	B 4204T5	CL707	227	pencil/PIN-1
S40 II (MS)	1.6	01.05 -	74	1596	4	B 4164 S3	CL403	184	PIN-4
	1.8	04.04 -	92	1798	4	B 4184 S11	CL405	185	pencil
	1.8 Flexfuel	01.06 -	92	1798	4	B 4184 S8	CL405	185	pencil
	2.0	10.06 -	107	1999	4	B 4204 S3	CL405	185	pencil
	2.4	01.04 -	103	2435	5	B 5244 S5	CL410	187	pencil
	2.4	01.04 -	125	2435	5	B 5244 S	CL410	187	pencil
	2.5T5	01.04 -	162	2521	5	B 5254T3	CL410	187	pencil
	2.5T5	03.07 -	169	2521	5	B 5254T7	CL410	187	pencil
	2.5T5 AWD	04.04 -	162	2521	5	B 5254T3	CL410	187	pencil
	2.5T5 AWD	03.07 -	169	2521	5	B 5254T7	CL410	187	pencil
S60	2.0T	09.01 - 07.04	132	1984	5	B 5204T5	CL121	155	pencil
	2.0T	08.04 -	132	1984	5	B 5204T5	CL410	187	pencil
	2.4	11.00 -	103	2435	5	B 5244 S2	CL121	155	pencil

CAR	MODEL	YEAR	kW	ccm	CYL	MOTOR	COILTYPE	PAGE	INFO
VOLVO									
S60	2.4	11.00 -	125	2435	5	B 5244 S	CL121	155	pencil
	2.4 Bifuel	06.02 -	103	2435	5	B 5244 SG2	CL121	155	pencil
	2.4T	11.00 -	147	2435	5	B 5244T3	CL410	187	pencil
	2.4T AWD	11.01 -	147	2435	5	B 5244T3	CL410	187	pencil
	2.4T5	11.00 -	184	2319	5	B 5234T3	CL121	155	pencil
	2.4T5	04.04 -	191	2401	5	B 5244T5	CL410	187	pencil
	2.5T	02.04 -	154	2521	5	B 5254T2	CL121	155	pencil
	2.5T AWD	04.04 -	154	2521	5	B 5254T2	CL121	155	pencil
	2.5T AWD	03.03 -	221	2521	5	B 5254T4	CL410	187	pencil
S70 (P80_)	2.0	01.97 - 11.00	93	1984	5	B 5202 S	CL119	154	PIN-1
	2.0	01.97 - 11.00	105	1984	5	B 5204 F	CL119	154	PIN-1
	2.0	01.97 - 11.00	132	1984	5	B 5204T2	CL119	154	PIN-1
	2.0	01.97 - 11.00	120	1984	5	B 5204T4	CL121	155	pencil
	2.0 Turbo	01.97 - 11.00	155	1984	5	B 5204T	CL119	154	PIN-1
	2.0 Turbo	01.97 - 11.00	166	1984	5	B 5204T3	CL121	155	pencil
	2.3	04.99 - 07.00	195	2319	5	B 5234T7	CL121	155	pencil
	2.3 T5	01.97 - 07.98	176	2319	5	B 5234T3	CL119	154	PIN-1
	2.3 T5	08.98 - 11.00	176	2319	5	B 5234T3	CL121	155	pencil
	2.3 Turbo	01.97 - 11.00	184	2319	5	B 5234 FT+	CL119	154	PIN-1
	2.4	08.99 - 11.00	103	2435	5	B 5244 SG/B 5244 S2	CL121	155	pencil
	2.4	01.97 - 11.00	125	2435	5	B 5244 S/B 5254 S	CL121	155	pencil
	2.4 AWD	11.96 - 05.99	106	2435	5	B 5252 F5	CL119	154	PIN-1
	2.4 AWD	04.99 - 09.00	103	2435	5	B 5244 S2	CL121	155	pencil
	2.4 AWD	10.98 - 05.99	121	2435	5		CL121	155	pencil
	2.4 AWD	04.99 - 09.00	125	2435	5	B 5244 S	CL121	155	pencil
	2.4 T5 AWD	08.98 - 04.99	142	2435	5	B 5254T	CL121	155	pencil
	2.4 Turbo	01.97 - 07.98	142	2435	5	B 5254T/B 5244T	CL119	154	PIN-1
	2.4 Turbo	08.98 - 11.00	142	2435	5	B 5254T/B 5244T	CL121	155	pencil
	2.5	01.97 - 11.00	106	2435	5	B 5252 S	CL119	154	PIN-1
	2.5	06.98 - 11.00	121	2435	5	B 5254 S	CL119	154	PIN-1
	2.5 Bifuel	10.98 - 11.00	106	2435	5	GB 5252 S	CL119	154	PIN-1
	2.5 Bifuel	07.99 - 11.00	103	2435	5	B 5244 SG	CL121	155	pencil
S80 (TS, XY)	2.0	06.98 - 07.06	120	1984	5	B 5204T4	CL121	155	pencil
	2.0T	06.98 - 07.06	166	1984	5	B 5204T3	CL121	155	pencil
	2.0T	12.99 - 07.04	132	1984	5	B 5204T5	CL121	155	pencil
	2.0T	08.04 - 07.06	132	1984	5	B 5204T5	CL410	187	pencil
	2.4	01.99 - 07.06	103	2435	5	B 5244 S2	CL121	155	pencil
	2.4	01.99 - 07.06	125	2435	5	B 5244 S	CL121	155	pencil
	2.4 Bifuel	09.01 - 07.06	103	2435	5	B 5244 SG2	CL121	155	pencil
	2.4T	06.00 - 07.06	147	2435	5	B 5244T3	CL121	155	pencil
	2.4 T5 AWD	04.00 - 09.03	147	2435	5	B 5244T3	CL121	155	pencil
	2.5T	03.03 - 07.06	154	2521	5	B 5254T2	CL121	155	pencil
	2.5T AWD	07.03 - 07.06	154	2521	5	B 5254T2	CL121	155	pencil
	2.8 T6	05.98 - 07.06	200	2783	6	B 6284T	CL121	155	pencil
	2.9	03.99 - 07.06	147	2922	6	B 6294 S	CL121	155	pencil
	2.9	05.98 - 07.06	150	2922	6	B 6304 S3	CL121	155	pencil
	3.0	06.01 - 07.06	144	2922	6	B 6294 S2	CL121	155	pencil
3.0 T6	06.01 - 07.06	200	2922	6	B 6294T	CL121	155	pencil	
S80 II	2.0	01.08 -	107	1999	4	B 4204 S3	CL405	185	pencil
	2.0 Flexfuel	01.08 -	107	1999	4	B 4204 S4	CL405	185	pencil
	2.5T	03.06 -	147	2521	5	B 5254T6	CL410	187	pencil
	2.5T	01.10 -	170	2521	5	B 5254T10	CL410	187	pencil
	2.5T Flexfuel	05.08 -	147	2521	5	B 5254T8	CL410	187	pencil
	2.5T Flexfuel	01.10 -	170	2521	5	B 5254T11	CL410	187	pencil
V40 Combi (VW)	1.6	12.95 - 08.99	77	1588	4	B 4164 S	CL136	160	SAE-2
							CL137	160	SAE-2
	1.6	03.99 - 06.04	80	1587	4	B 4164 S2	CL136	160	SAE-2
							CL137	160	SAE-2
	1.8	07.95 - 08.99	85	1731	4	B 4184 S3/B 4184 S	CL136	160	SAE-2
						CL137	160	SAE-2	

CAR	MODEL	YEAR	kW	ccm	CYL	MOTOR	COILTYPE	PAGE	INFO	
VOLVO										
V40 Combi (VW)	1.8 i	03.98 - 06.04	92	1834	4	B 4184 SM	CL136	160	SAE-2	
							CL137	160	SAE-2	
	1.8 i	06.01 - 06.04	90	1834	4	B 4184 SJ	CL707	227	pencil/PIN-1	
	1.9T4	05.97 - 07.00	147	1855	4	B 4194T	CL707	227	pencil/PIN-1	
	2.0	07.95 - 06.04	100	1948	4	B 4204 S2/B 4204 S	CL136	160	SAE-2	
							CL137	160	SAE-2	
	2.0	07.95 - 08.99	103	1948	4	B 4204 S	CL136	160	SAE-2	
							CL137	160	SAE-2	
	2.0T	10.97 - 07.00	118	1948	4	B 4204T	CL707	227	pencil/PIN-1	
	2.0T	06.01 - 06.04	120	1948	4	B 4204T3	CL707	227	pencil/PIN-1	
2.0T4	07.00 - 06.04	147	1948	4	B 4204T5	CL707	227	pencil/PIN-1		
V50 (MW)	1.6	01.05 -	74	1596	4	B 4164 S3	CL403	184	PIN-4	
	1.8	04.04 -	92	1798	4	B 4184 S11	CL405	185	pencil	
	1.8 Flexfuel	01.05 -	92	1798	4	B 4184 S8	CL405	185	pencil	
	2.0	10.06 -	107	1999	4	B 4204 S3	CL405	185	pencil	
	2.0 Flexfuel	01.10 -	107	1999	4	B 4204 S4	CL405	185	pencil	
	2.4	04.04 -	103	2435	5	B 5244 S5	CL410	187	pencil	
	2.4	04.04 -	125	2435	5	B 5244 S	CL410	187	pencil	
	2.5T5	04.04 -	162	2521	5	B 5254T3	CL410	187	pencil	
	2.5T5	03.07 -	169	2521	5	B 5254T7	CL410	187	pencil	
	2.5T5 AWD	04.04 -	162	2521	5	B 5254T3	CL410	187	pencil	
	2.5T5 AWD	03.07 -	169	2521	5	B 5254T7	CL410	187	pencil	
	V70 I Combi (P80_)	2.0	01.97 - 03.00	93	1984	5	B 5202 S	CL119	154	PIN-1
		2.0	01.97 - 03.00	105	1984	5		CL119	154	PIN-1
2.0		01.97 - 03.00	132	1984	5	B 5204T2	CL119	154	PIN-1	
2.0		01.97 - 03.00	120	1984	5	B 5204T4	CL121	155	pencil	
2.0 Turbo		01.97 - 07.98	155	1984	5	B 5204T	CL119	154	PIN-1	
2.0 Turbo		08.98 - 03.00	155	1984	5	B 5204T	CL121	155	pencil	
2.0 Turbo		01.97 - 07.98	166	1984	5	B 5204T3	CL119	154	PIN-1	
2.0 Turbo		08.98 - 03.00	166	1984	5	B 5204T3	CL121	155	pencil	
2.0 Turbo AWD		01.97 - 07.98	166	1984	5	B 5204T3	CL119	154	PIN-1	
2.0 Turbo AWD		08.98 - 03.00	166	1984	5	B 5204T3	CL121	155	pencil	
2.3 AWD		04.97 - 07.98	177	2319	5	B 5234T3	CL119	154	PIN-1	
2.3 AWD		08.98 - 09.98	177	2319	5	B 5234T3	CL121	155	pencil	
2.3 T AWD		04.97 - 03.00	184	2319	5	B 5234 FT+	CL119	154	PIN-1	
2.3T5		01.97 - 07.98	176	2319	5	B 5234T3	CL119	154	PIN-1	
2.3T5		08.98 - 03.00	176	2319	5	B 5234T3	CL121	155	pencil	
2.3T5 AWD		01.97 - 07.98	176	2319	5	B 5234T3	CL119	154	PIN-1	
2.3T5 AWD		08.98 - 03.00	176	2319	5	B 5234T3	CL121	155	pencil	
2.3 Turbo		01.97 - 03.00	184	2319	5	B 5234 FT+	CL119	154	PIN-1	
2.4		01.97 - 05.00	125	2435	5	B 5254 S	CL121	155	pencil	
2.4 AWD		10.98 - 05.99	121	2435	5		CL121	155	pencil	
2.4 Bifuel		08.99 - 03.00	103	2435	5	B 5244 SG	CL121	155	pencil	
2.4 Turbo		01.97 - 07.98	142	2435	5	B 5254T/B 5244 T	CL119	154	PIN-1	
2.4 Turbo		08.98 - 03.00	142	2435	5	B 5254T/B 5244 T	CL121	155	pencil	
2.5		01.97 - 03.00	106	2435	5	B 5252 S	CL119	154	PIN-1	
2.5		06.98 - 03.00	121	2435	5	B 5254 S	CL119	154	PIN-1	
2.5 Bifuel		10.98 - 08.99	106	2435	5	GB 5252 S	CL119	154	PIN-1	
2.5 Turbo AWD		01.97 - 07.98	142	2435	5	B 5254T/B 5244 T	CL119	154	PIN-1	
2.5 Turbo AWD		08.98 - 05.00	142	2435	5	B 5254T/B 5244 T	CL121	155	pencil	
V70 II Combi (P80_)		2.0T	07.01 -	132	1984	5	B 5204T5	CL121	155	pencil
		2.0T	07.01 - 07.07	132	1984	5	B 5204T5	CL410	187	pencil
	2.3T5	03.00 -	184	2319	5	B 5234T3/B 5234T4	CL121	155	pencil	
	2.4	03.00 -	103	2435	5	B 5244 S2	CL121	155	pencil	
	2.4	03.00 -	125	2435	5	B 5244 S	CL121	155	pencil	
	2.4 Bifuel	09.01 -	103	2435	5	B 5244 SG	CL121	155	pencil	
	2.4T	03.00 -	147	2435	5	B 5244T3	CL121	155	pencil	
	2.4T AWD	09.01 -	147	2435	5	B 5244T3	CL121	155	pencil	
	2.4T5	04.04 -	191	2401	5	B 5244T5	CL410	187	pencil	
	2.5T	04.04 -	154	2521	5	B 5254T2	CL121	155	pencil	

CAR	MODEL	YEAR	kW	ccm	CYL	MOTOR	COILTYPE	PAGE	INFO	
VOLVO										
V70 II Combi (P80_)	2.5T AWD	09.02 -	154	2521	5	B 5254T2	CL121	155	pencil	
	2.5T AWD	03.03 -	221	2521	5	B 5254T4	CL410	187	pencil	
V70 III Combi	2.0	10.07 -	107	1999	4	B 4204 S3	CL405	185	pencil	
	2.0 Flexfuel	01.08 -	107	1999	4	B 4204 S4	CL405	185	pencil	
	2.5T	08.07 -	147	2521	5	B 5254T6	CL410	187	pencil	
	2.5T	01.10 -	170	2521	5	B 5254T10	CL410	187	pencil	
	2.5T Flexfuel	05.08 -	147	2521	5	B 5254T8	CL410	187	pencil	
	2.5T Flexfuel	10.09 -	170	2521	5	B 5254T11	CL410	187	pencil	
XC 70 Cross Country	2.4T XC AWD	11.97 - 09.02	142	2435	5	B 5254T	CL121	155	pencil	
	2.4T XC AWD	03.00 - 09.02	147	2435	5	B 5244T3	CL121	155	pencil	
	2.5T XC AWD	09.02 -	154	2521	5	B 5254T2	CL121	155	pencil	
XC 90	2.5T	10.02 -	154	2521	5	B 5254T2	CL121	155	pencil	
	3.0T6	10.02 -	200	2922	6	B 6294T	CL121	155	pencil	
VW										
Bora (1J2)	1.4 16V	03.00 - 05.05	55	1390	4	AHW/AXP/APE/AKQ	CL002	130	PIN-4	
	1.4 16V	03.00 - 05.05	55	1390	4	BCA	CL003	132	pencil	
	1.6	10.98 - 05.05	74	1595	4	AKL/APF/AEH	CL002	130	PIN-4	
	1.6	08.00 - 05.05	75	1595	4	AVU/BFQ	CL002	130	PIN-4	
	1.6 16V	05.00 - 05.05	77	1598	4	AUS/ATN	CL002	130	PIN-4	
	1.6 16V	05.00 - 05.05	77	1598	4	BCB/AZD	CL003	132	pencil	
	1.6 FSI	01.02 - 05.05	81	1598	4	BAD	CL003	132	pencil	
	1.8	10.98 - 05.05	92	1781	4	AGN/BAF	CL002	130	PIN-4	
	1.8 4motion	02.99 - 05.05	92	1781	4	AGN	CL002	130	PIN-4	
	1.8T	05.00 - 05.05	110	1781	4	AGU	CL004	134	pencil	
	1.8T	05.00 - 05.05	110	1781	4	ARX/AUM	CL005	134	pencil	
	1.8T	03.02 - 05.05	132	1781	4	AUQ	CL005	134	pencil	
	2.0	10.98 - 05.05	85	1984	4	APK/AZH/AQY	CL002	130	PIN-4	
	2.0	10.98 - 05.05	85	1984	4	AZJ/AZG	CL010	137	PIN-4	
	2.0 4motion	04.00 - 05.05	85	1984	4	AZH	CL002	130	PIN-4	
	2.0 4motion	04.00 - 05.05	85	1984	4	AZJ	CL010	137	PIN-4	
	2.3 V5	10.98 - 10.00	110	2324	5	AGZ	CL020	142	PIN-5	
	2.3 V5	10.00 - 05.05	125	2324	5	AQN	CL020	142	PIN-5	
							CL023	142	pencil	
	2.3 V5 4motion	12.98 - 10.00	110	2324	5	AGZ	CL020	142	PIN-5	
	2.3 V5 4motion	10.00 - 05.05	125	2324	5	AQN	CL020	142	PIN-5	
							CL023	142	pencil	
	2.8 V6 4motion	03.99 - 05.05	150	2792	6	AQP/AUE/BDE	CL023	142	pencil	
	2.8 V6 4motion	03.99 - 04.01	150	2792	6	AQP/AUE/BDE	CL030	144	PIN-6	
	Bora Combi (1J6)	1.4 16V	09.01 - 05.05	55	1390	4	AHW/AXP	CL002	130	PIN-4
		1.4 16V	09.01 - 05.05	55	1390	4	BCA	CL003	132	pencil
		1.6	05.99 - 05.05	74	1595	4	APF/AEH	CL002	130	PIN-4
		1.6	08.00 - 05.05	75	1595	4	AVU/BFQ	CL002	130	PIN-4
		1.6 16V	02.00 - 05.05	77	1598	4	AUS/ATN	CL002	130	PIN-4
		1.6 16V	02.00 - 05.05	77	1598	4	BCB/AZD	CL003	132	pencil
1.6 FSI		01.02 - 05.05	81	1598	4	BAD	CL003	132	pencil	
1.8 4motion		05.99 - 05.05	92	1781	4	AGN	CL002	130	PIN-4	
1.8T		05.00 - 05.05	110	1781	4	AGU	CL004	134	pencil	
1.8T		05.00 - 05.05	110	1781	4	ARX/AUM	CL005	134	pencil	
1.8T		05.02 - 05.05	132	1781	4	AUQ	CL005	134	pencil	
2.0		05.99 - 05.05	85	1984	4	APK/AZH/AQY	CL002	130	PIN-4	
2.0		05.99 - 05.05	85	1984	4	AZJ/AZG	CL010	137	PIN-4	
2.0 4motion		04.00 - 05.05	85	1984	4	AZH/AZJ	CL002	130	PIN-4	
2.0 4motion		04.00 - 05.05	85	1984	4	AZJ	CL010	137	PIN-4	
2.3 V5		05.99 - 10.00	110	2324	5	AGZ	CL020	142	PIN-5	
							CL023	142	pencil	
2.3 V5 4motion		10.00 - 05.05	125	2324	5	AQN	CL020	142	PIN-5	
							CL023	142	pencil	
2.8 V6 4motion		05.99 - 05.05	150	2792	6	AQP/AUE/BDE	CL023	142	pencil	

CAR	MODEL	YEAR	kW	ccm	CYL	MOTOR	COILTYPE	PAGE	INFO
VW									
Bora Combi (1J6)	2.8V6 4motion	05.99 - 04.01	150	2792	6	AQP/AUE/BDE	CL030	144	PIN-6
	2.8VR6	03.00 - 05.00	150	2792	6	AUE	CL023	142	pencil
Caddy II 60 Van (9K9A)	1.4	11.95 - 01.04	44	1390	4	AEX/APQ	CL001	129	PIN-1
	1.4	11.95 - 01.04	44	1390	4	AUD	CL002	130	PIN-4
Caddy II 75 Van (9K9A)	1.6	11.95 - 05.97	55	1595	4	1F	CL001	129	PIN-1
	1.6	11.95 - 09.00	55	1598	4	AEE	CL001	129	PIN-1
Caddy II Combi (9K9B)	1.4	11.95 - 01.04	44	1390	4	AEX/AKV/APQ	CL001	129	PIN-1
	1.4	11.95 - 01.04	44	1390	4	AUD	CL002	130	PIN-4
	1.4 16V	08.00 - 01.04	55	1390	4	AUA	CL002	130	PIN-4
	1.6	11.95 - 05.97	55	1595	4	1F	CL001	129	PIN-1
	1.6	06.97 - 09.00	55	1598	4	AEE	CL001	129	PIN-1
Caddy II Pick-up (9U7)	1.6	06.96 - 12.00	55	1598	4	AEE	CL001	129	PIN-1
Caddy II Van (9K9A)	1.4	08.00 - 01.04	55	1390	4	AUA	CL002	130	PIN-4
Caddy III Combi	1.2 TSI	09.10 -	63	1197	4	CBZA	CL002	130	PIN-4
	1.2 TSI	09.10 -	77	1197	4	CBZB	CL002	130	PIN-4
	1.4	03.04 - 05.06	55	1390	4	BCA	CL003	132	pencil
	1.4 16V	05.06 - 08.10	59	1390	4	BUD	CL003	132	pencil
	1.6	04.04 -	75	1595	4	BGU/BSF/BSE	CL002	130	PIN-4
Caddy III Van	2.0 Ecofuel	04.06 -	80	1984	4	BSX	CL010	137	PIN-4
	1.2 TSI	09.10 -	63	1197	4	CBZA	CL002	130	PIN-4
	1.2 TSI	09.10 -	77	1197	4	CBZB	CL002	130	PIN-4
	1.4	03.04 - 05.06	55	1390	4	BCA	CL003	132	pencil
	1.4 16V	05.06 - 08.10	59	1390	4	BUD	CL003	132	pencil
Corrado (53I)	1.6	04.04 -	75	1595	4	BGU/BSF/BSE	CL002	130	PIN-4
	2.0 Ecofuel	04.06 -	80	1984	4	BSX	CL010	137	PIN-4
	1.8 16V	04.89 - 07.92	100	1781	4	KR	CL018	141	PIN-1
	2.0 i	04.93 - 12.95	85	1984	4	ADY/ZE	CL001	129	PIN-1
	2.0 i 16V	08.91 - 12.95	100	1984	4	9A	CL001	129	PIN-1
Eos (1F7, 1F8)	1.4 TSI	11.07 -	90	1390	4	CAXA	CL003	132	pencil
	1.4 TSI	05.08 -	118	1390	4	CAVD	CL003	132	pencil
	1.6 FSI	06.06 - 05.08	85	1598	4	BLF	CL003	132	pencil
	2.0 FSI	03.06 - 05.08	110	1984	4	BVZ/BVY	CL011	137	pencil
	2.0 TFSI	03.06 -	147	1984	4	BWA	CL011	137	pencil
	2.0 TSI	11.09 -	155	1984	4	CCZB	CL011	137	pencil
	3.2 V6	06.06 -	184	3189	6	CBRA/BUB	CL016	140	pencil
Eos (1F7, 1F8)	3.6 V6	05.09 -	191	3597	6	CDVA	CL016	140	pencil
Fox (5Z1, 5Z3)	1.2	04.05 -	40	1198	3	BMD/CHFB	CL009	136	pencil
	1.2	09.10 -	44	1198	3	CHFA	CL009	136	pencil
	1.4	04.05 -	55	1390	4	BKR	CL002	130	PIN-4
Golf I Cabriolet (155)	1.8	08.83 - 04.93	70	1781	4	JH	CL018	141	PIN-1
Golf II (19E, 1G1)	1.0	08.85 - 10.91	37	1043	4	HZ	CL018	141	PIN-1
	1.3 cat	06.86 - 12.92	40	1272	4	NZ/2G/MH	CL001	129	PIN-1
							CL018	141	PIN-1
							CL019	141	PIN-1
	1.6	10.86 - 12.92	51	1595	4	PN	CL018	141	PIN-1
	1.6	02.86 - 10.91	53	1595	4	RF	CL018	141	PIN-1
	1.6	08.83 - 07.92	55	1595	4	HM/ABN/EZ	CL018	141	PIN-1
	1.8	08.86 - 01.90	62	1781	4	RH	CL018	141	PIN-1
	1.8 Syncro	02.86 - 07.91	66	1781	4	GX/GU	CL018	141	PIN-1
	1.8 Syncro	08.88 - 07.91	72	1781	4	1P	CL018	141	PIN-1
	1.8 GTI	08.83 - 10.91	82	1781	4	EV/GZ/PB/DX	CL018	141	PIN-1
	1.8 GTI 16V	02.86 - 10.91	95	1781	4	PL	CL018	141	PIN-1
	1.8 GTI 16V	02.86 - 06.90	102	1781	4	KR	CL018	141	PIN-1
	1.8 GTI cat	01.87 - 10.91	79	1781	4	PF	CL018	141	PIN-1
Golf III (1H1)	1.4	11.91 - 08.97	40	1390	4	AEX/ABD	CL001	129	PIN-1
	1.4	10.91 - 08.97	44	1390	4	AEX/ABD	CL001	129	PIN-1
	1.6	09.92 - 08.97	55	1598	4	ABU/AEA/AEE	CL001	129	PIN-1
	1.6	07.95 - 08.97	74	1595	4	AEK/AFT/AKS	CL001	129	PIN-1
	1.8	11.91 - 08.97	55	1781	4	AAM	CL001	129	PIN-1
	1.8	11.91 - 08.97	66	1781	4	ACC/ADZ/ABS	CL001	129	PIN-1

A

CAR	MODEL	YEAR	kW	ccm	CYL	MOTOR	COILTYPE	PAGE	INFO
VW									
Golf III (1H1)	1.8 Syncro	01.93 - 08.97	66	1781	4	ADZ/ABS	CL001	129	PIN-1
	2.0	11.91 - 08.97	85	1984	4	ABA/ADY/AKR/ZE/AGG	CL001	129	PIN-1
	2.0 Syncro	08.95 - 08.97	85	1984	4	AGG	CL001	129	PIN-1
	2.0 GTI 16V	08.92 - 08.97	110	1984	4	ABF	CL001	129	PIN-1
	2.8 VR6	01.92 - 08.97	128	2792	6	AAA	CL021	142	PIN-6
	2.9 VR6 Syncro	10.94 - 08.97	140	2861	6	ABV	CL021	142	PIN-6
Golf III Cabriolet (1E7)	1.6	10.94 - 05.98	74	1595	4	AEK/AFT/AKS	CL001	129	PIN-1
	1.8	07.93 - 05.98	55	1781	4	AAM	CL001	129	PIN-1
	1.8	07.93 - 05.98	66	1781	4	ADZ/ABS	CL001	129	PIN-1
	2.0	07.93 - 05.98	85	1984	4	ADY/AKR/ZE/AGG	CL001	129	PIN-1
Golf III Variant (1H5)	1.4	07.93 - 04.99	40	1390	4	ABD	CL001	129	PIN-1
	1.4	07.93 - 04.99	44	1390	4	AEX/ABD/APQ	CL001	129	PIN-1
	1.6	07.93 - 12.97	55	1598	4	ABU/AEA/AEE	CL001	129	PIN-1
	1.6	07.94 - 04.99	74	1595	4	AEK/AFT/AKS	CL001	129	PIN-1
	1.8	07.93 - 04.99	55	1781	4	ANN/AAM	CL001	129	PIN-1
	1.8	07.93 - 04.99	66	1781	4	ADZ/ABS/ANP	CL001	129	PIN-1
	1.8 Syncro	10.94 - 04.99	66	1781	4	ADZ	CL001	129	PIN-1
	2.0	07.93 - 04.99	85	1984	4	ADY/AKR/ZE/AGG	CL001	129	PIN-1
	2.0 Syncro	08.95 - 04.99	85	1984	4	AGG	CL001	129	PIN-1
	2.9 VR6 Syncro	10.94 - 04.99	140	2861	6	ABV	CL021	142	PIN-6
Golf IV (1J1)	1.4 16V	08.97 - 06.05	55	1390	4	AHW/AXP/APE/AKQ	CL002	130	PIN-4
	1.4 16V	08.97 - 06.05	55	1390	4	BCA	CL003	132	pencil
	1.6	08.97 - 02.00	74	1595	4	AKL/APF/AEH	CL002	130	PIN-4
	1.6	08.00 - 06.05	75	1595	4	AVU/BFQ	CL002	130	PIN-4
	1.6 16V	02.00 - 06.05	77	1598	4	AUS/ATN	CL002	130	PIN-4
	1.6 16V	02.00 - 06.05	77	1598	4	BCB/AZD	CL003	132	pencil
	1.6 FSI	01.02 - 06.05	81	1598	4	BAD	CL003	132	pencil
	1.8	08.97 - 06.05	92	1781	4	AGN/BAF	CL002	130	PIN-4
	1.8 4motion	05.98 - 06.05	92	1781	4	AGN	CL002	130	PIN-4
	1.8T	08.97 - 06.05	110	1781	4	AGU	CL004	134	pencil
	1.8T	08.97 - 06.05	110	1781	4	ARZ/AQA/AGU/AUM/AWD	CL005	134	pencil
	1.8T GTI	08.01 - 06.05	132	1781	4	AUQ	CL005	134	pencil
	2.0	07.98 - 06.05	85	1984	4	APK/AQY	CL002	130	PIN-4
	2.0	07.98 - 06.05	85	1984	4	AZJ/AZG	CL010	137	PIN-4
	2.0 4motion	10.00 - 06.05	85	1984	4	AZH/AZJ	CL002	130	PIN-4
	2.0 4motion	10.00 - 06.05	85	1984	4	AZJ	CL010	137	PIN-4
	2.3 V5	08.97 - 10.00	110	2324	5	AGZ	CL020	142	PIN-5
	2.3 V5	10.00 - 06.05	125	2324	5	AQN	CL020	142	PIN-5
							CL023	142	pencil
	2.3 V5 4motion	12.98 - 10.00	110	2324	5	AGZ	CL020	142	PIN-5
	2.3 V5 4motion	10.00 - 06.05	125	2324	5	AQN	CL020	142	PIN-5
							CL023	142	pencil
2.8 V6 4motion	03.99 - 06.05	150	2792	6	AQP/AUE/BDE	CL023	142	pencil	
2.8 V6 4motion	03.99 - 04.01	150	2792	6	AQP/AUE/BDE	CL030	144	PIN-6	
3.2 R32 4motion	09.02 - 06.05	177	3189	6	BFH/BML	CL016	140	pencil	
Golf IV Cabriolet (1E7)	1.6	06.98 - 06.02	74	1595	4	AFT/AKS	CL001	129	PIN-1
	1.8	06.98 - 06.02	55	1781	4	ANN/AAM	CL001	129	PIN-1
	1.8	06.98 - 06.02	66	1781	4	ADZ/ANP	CL001	129	PIN-1
	2.0	06.98 - 06.02	85	1984	4	ATU/AKR/AWF/AGG/AWG	CL001	129	PIN-1
Golf IV Variant (1J5)	1.4 16V	05.99 - 06.06	55	1390	4	AXP	CL002	130	PIN-4
	1.4 16V	05.99 - 06.06	55	1390	4	BCA	CL003	132	pencil
	1.6 16V	02.00 - 06.06	77	1598	4	AUS/ATN	CL002	130	PIN-4
	1.6	05.99 - 02.00	74	1595	4	AKL/APF/AEH	CL002	130	PIN-4
	1.6	08.00 - 06.06	75	1595	4	AVU/BFQ	CL002	130	PIN-4
	1.6 16V	02.00 - 06.06	77	1598	4	BCB/AZD	CL003	132	pencil
	1.6 FSI	01.02 - 06.06	81	1598	4	BAD	CL003	132	pencil
	1.8 4motion	05.99 - 06.06	92	1781	4	AGN	CL002	130	PIN-4
	1.8T	05.00 - 06.06	110	1781	4	AGU	CL004	134	pencil
	1.8T	05.00 - 06.06	110	1781	4	AUM	CL005	134	pencil

CAR	MODEL	YEAR	kW	ccm	CYL	MOTOR	COILTYPE	PAGE	INFO	
VW										
Golf IV Variant (1J5)	2.0	05.99 - 06.06	85	1984	4	APK/AQY	CL002	130	PIN-4	
	2.0	05.99 - 06.06	85	1984	4	AZJ	CL010	137	PIN-4	
	2.0 4motion	10.00 - 06.06	85	1984	4	AZH	CL002	130	PIN-4	
	2.0 4motion	10.00 - 06.06	85	1984	4	AZJ	CL010	137	PIN-4	
	2.0 Bifuel	02.02 - 06.06	85	1984	4	BEH	CL010	137	PIN-4	
	2.3 V5	05.99 - 06.06	110	2324	5	AGZ	CL020	142	PIN-5	
	2.3 V5	10.00 - 06.06	125	2324	5	AQN	CL020	142	PIN-5	
							CL023	142	pencil	
	2.3 V5 4motion	05.99 - 06.06	110	2324	5	AGZ	CL020	142	PIN-5	
	2.3 V5 4motion	10.00 - 06.06	125	2324	5	AQN	CL020	142	PIN-5	
							CL023	142	pencil	
	2.8 V6 4motion	05.99 - 06.06	150	2792	6	AQP/AUE/BDE	CL023	142	pencil	
	2.8 V6 4motion	05.99 - 04.01	150	2792	6	AQP/AUE/BDE	CL030	144	PIN-6	
Golf Plus (5M1, 521)	1.2 TSI	11.09 -	77	1197	4	CBZB	CL002	130	PIN-4	
	1.4 16V	01.05 -	55	1390	4	BCA	CL003	132	pencil	
	1.4 16V	05.06 -	59	1390	4	BUD/CGGA	CL003	132	pencil	
	1.4 FSI	07.05 -	66	1390	4	BLN	CL003	132	pencil	
	1.4 TSI	05.06 - 06.08	103	1390	4	BMY	CL003	132	pencil	
	1.4 TSI	05.06 - 06.08	125	1390	4	BLG	CL003	132	pencil	
	1.4 TSI	06.07 -	90	1390	4	CAXA	CL003	132	pencil	
	1.4 TSI	06.08 -	118	1390	4	CAVD/CNWA	CL003	132	pencil	
	1.6	05.05 -	75	1595	4	CCSA/BSF/CMXA/BSE	CL002	130	PIN-4	
	1.6 Bifuel	05.09 -	75	1595	4	CHGA	CL002	130	PIN-4	
	1.6 FSI	01.05 - 05.08	85	1598	4	BLF	CL003	132	pencil	
	1.6 Multifuel	11.07 -	75	1595	4	CCSA/CMXA	CL002	130	PIN-4	
	2.0 FSI	05.05 - 06.08	110	1984	4	BLY/BLR/BVZ/BVY	CL011	137	pencil	
	Golf V (1K1)	1.4 16V	10.03 -	55	1390	4	BCA	CL003	132	pencil
		1.4 16V	05.06 -	59	1390	4	BUD	CL003	132	pencil
		1.4 FSI	10.03 -	66	1390	4	BKG/BLN	CL003	132	pencil
		1.4 TSI	11.05 -	125	1390	4	BLG	CL003	132	pencil
1.4 TSI		05.06 -	103	1390	4	BMY	CL003	132	pencil	
1.4 TSI		05.07 -	90	1390	4	CAXA	CL003	132	pencil	
1.6		01.04 -	75	1595	4	BGU/BSF/BSE	CL002	130	PIN-4	
1.6 FSI		10.03 -	85	1598	4	BLF/BLP/BAG	CL003	132	pencil	
2.0 FSI		01.04 -	110	1984	4	BVX/BLX/BLY/BLR/AXW/BVZ/BVY	CL011	137	pencil	
2.0 FSI 4motion		08.04 -	110	1984	4	BVX/BLX	CL011	137	pencil	
2.0 GTI		10.04 -	147	1984	4	BWA/AXX	CL011	137	pencil	
2.0 GTI		09.06 -	169	1984	4	BYD	CL011	137	pencil	
3.2 R32 4motion		11.05 -	184	3189	6	CBR/CBRA/BUB	CL016	140	pencil	
Golf V Variant (1K5)	1.4	06.07 -	59	1390	4	BUD	CL003	132	pencil	
	1.4 TSI	06.07 -	90	1390	4	CAXA	CL003	132	pencil	
	1.4 TSI	06.07 -	103	1390	4	BMY	CL003	132	pencil	
	1.4 TSI	07.08 -	118	1390	4	CAVD	CL003	132	pencil	
	1.4 TSI	06.07 -	125	1390	4	BLG	CL003	132	pencil	
	1.6	06.07 -	75	1595	4	CCSA/BSF/BSE	CL002	130	PIN-4	
	2.0	06.07 -	147	1984	4	BWA/CAWB/CCTA	CL011	137	pencil	
	Golf VI (5K1)	1.2 TSI	05.09 -	77	1197	4	CBZB	CL002	130	PIN-4
1.4		10.08 -	59	1390	4	CGGA	CL003	132	pencil	
1.4 TSI		10.08 -	90	1390	4	CAXA	CL003	132	pencil	
1.4 TSI		10.08 -	118	1390	4	CAVD	CL003	132	pencil	
1.6		10.08 -	75	1595	4	CCSA/BSF/CMXA/BSE	CL002	130	PIN-4	
1.6 Bifuel		03.09 -	75	1595	4	CHGA	CL002	130	PIN-4	
1.6 Multifuel		10.08 -	75	1595	4	CCSA/CMXA	CL002	130	PIN-4	
1.8 TSI		06.09 -	118	1798	4	CDAA	CL011	137	pencil	
2.0 R 4motion		11.09 -	188	1984	4	CDLC	CL011	137	pencil	
2.0 R 4motion		11.09 -	199	1984	4	CDLF	CL011	137	pencil	
2.0 TSI		04.09 -	155	1984	4	CCZB	CL011	137	pencil	
Golf VI Cabriolet (517)	1.2 TSI	03.11 -	77	1197	4	CBZB	CL002	130	PIN-4	
	1.4 TSI	03.11 -	118	1390	4	CAVD/CNWA	CL003	132	pencil	
	1.4 TSI	11.11 -	90	1390	4	CAXA	CL003	132	pencil	

A

CAR	MODEL	YEAR	kW	ccm	CYL	MOTOR	COILTYPE	PAGE	INFO
VW									
Sharan (7M8, 7M9, 7M6)	2.8 VR6 Syncro	11.96 - 04.00	128	2792	6	AAA/AMY	CL021	142	PIN-6
Sharan (7N)	1.4 TSI	05.10 -	110	1390	4	CAVA	CL002	130	PIN-4
	2.0 TSI	12.10 -	147	1984	4	CCZA	CL011	137	pencil
Taro	2.4 i 4x4	06.89 - 03.97	84	2366	4	22R	CL578	207	DIN5-1
Tiguan (5N)	1.4 TSI	05.08 -	110	1390	4	BWK/CAVA	CL003	132	pencil
	1.4 TSI	08.10 -	90	1390	4	CAXA	CL003	132	pencil
	1.4 TSI 4motion	09.07 -	110	1390	4	BWK/CAVA	CL003	132	pencil
	2.0 TFSI 4motion	09.07 -	125	1984	4	CAWA/CCZC	CL011	137	pencil
	2.0 TFSI 4motion	09.07 -	147	1984	4	CCZA/CAWB/CCTA	CL011	137	pencil
Touareg (7LA, 7L6, 7L7)	3.2 V6	10.02 - 11.06	162	3189	6	AZZ/BMV/BKJ/BAA/BMX/BRJ	CL016	140	pencil
	3.2 V6	11.04 - 11.06	177	3189	6		CL016	140	pencil
	3.6 V6 FSI	10.05 - 05.10	206	3597	6	BHL/BHK	CL016	140	pencil
	4.2 V8	12.02 - 11.06	228	4172	8	AXQ	CL017	141	pencil
	6.0 W12	08.04 - 05.10	331	5998	12	CFRA/BJN	CL022	142	pencil
Touareg (7P5)	3.0 V6 TSI Hybrid	04.10 -	245	2995	6	CGFA/CGEA	CL015	139	pencil
Touran (1T1, 1T2, 1T3)	1.2 TSI	05.10 -	77	1197	4	CBZB	CL002	130	PIN-4
	1.4 FSI	11.06 -	125	1390	4	BLG/CAVB	CL003	132	pencil
	1.4 TSI	02.06 -	103	1390	4	BMY	CL003	132	pencil
	1.4 TSI Ecofuel	05.09 -	110	1390	4	CDGA	CL003	132	pencil
	1.6	07.03 - 05.10	75	1595	4	BGU/BSF/BSE	CL002	130	PIN-4
	1.6 FSI	02.03 - 01.07	85	1598	4	BLF/BLP/BAG	CL003	132	pencil
	2.0 Ecofuel	02.06 - 05.09	80	1984	4	BSX	CL010	137	PIN-4
	2.0 FSI	10.03 -	110	1984	4	BLX/BLY/BLR/AXW/BVZ/BVY	CL011	137	pencil
Transporter IV Bus	1.8	12.90 - 07.92	49	1781	4	PD	CL001	129	PIN-1
							CL019	141	PIN-1
	2.0	09.90 - 04.03	62	1968	4	AAC	CL001	129	PIN-1
							CL019	141	PIN-1
	2.5	11.90 - 04.03	81	2461	5	AEN/AAF/ACU/AEU	CL001	129	PIN-1
	2.5	08.96 - 04.03	85	2461	5	AVT/AET/APL	CL001	129	PIN-1
	2.5 Syncro	11.92 - 04.03	81	2461	5	AEN/AAF/ACU/AEU	CL001	129	PIN-1
	2.5 Syncro	07.96 - 04.03	85	2461	5	AVT/AET/APL	CL001	129	PIN-1
	2.8 Syncro	01.96 - 04.96	103	2792	6	AES	CL021	142	PIN-6
	2.8 V6	04.00 - 04.03	150	2792	6	AMV	CL021	142	PIN-6
Transporter IV Flatbed (70XD)	2.0	07.90 - 04.03	62	1968	4	AAC	CL001	129	PIN-1
							CL019	141	PIN-1
	2.5	11.90 - 04.03	81	2461	5	AEN/AAF/ACU/AEU	CL001	129	PIN-1
	2.5	08.96 - 04.03	85	2461	5	AVT/AET/APL	CL001	129	PIN-1
	2.5 Syncro	10.92 - 04.03	81	2461	5	AEN/AAF/ACU/AEU	CL001	129	PIN-1
	2.5 Syncro	08.96 - 04.03	85	2461	5	AVT/AET/APL	CL001	129	PIN-1
Transporter IV Van (70XA)	2.0	07.90 - 04.03	62	1968	4	AAC	CL001	129	PIN-1
							CL019	141	PIN-1
	2.5	11.90 - 04.03	81	2461	5	AEN/AAF/ACU/AEU	CL001	129	PIN-1
	2.5	08.96 - 04.03	85	2461	5	AVT/AET/APL	CL001	129	PIN-1
	2.5 Syncro	10.92 - 04.03	81	2461	5	AEN/AAF/ACU/AEU	CL001	129	PIN-1
Transporter V Bus	2.0	11.03 -	85	1984	4	AXA	CL002	130	PIN-4
	3.2 V6	02.04 - 06.04	170	3189	6	BDL	CL016	140	pencil
	3.2 V6	02.04 - 11.09	173	3189	6	BKK/CFLA	CL016	140	pencil
	3.2 V6 4motion	11.03 - 11.09	173	3189	6	BKK/CFLA	CL016	140	pencil
Transporter V Flatbed	2.0	11.03 -	85	1984	4	AXA	CL002	130	PIN-4
	3.2 V6	02.04 - 11.09	170	3189	6	BDL	CL016	140	pencil
	3.2 V6	08.03 - 05.06	173	3189	6	BKK	CL016	140	pencil
Transporter V Van	2.0	11.03 -	85	1984	4	AXA	CL002	130	PIN-4
	3.2 4motion	11.03 - 11.09	173	3189	6	BKK/CFLA	CL016	140	pencil
	3.2 V6	04.03 - 06.04	170	3189	6	BDL	CL016	140	pencil
	3.2 V6	02.04 - 11.09	173	3189	6	BKK/CFLA	CL016	140	pencil
Vento (1H2)	1.4	11.91 - 09.98	40	1390	4	ABD	CL001	129	PIN-1
	1.4	11.91 - 09.98	44	1390	4	ABD	CL001	129	PIN-1

CAR	MODEL	YEAR	kW	ccm	CYL	MOTOR	COILTYPE	PAGE	INFO
VW									
Vento (1H2)	1.6	09.92 - 09.98	55	1598	4	ABU/AEA/AEE	CL001	129	PIN-1
							CL019	141	PIN-1
	1.6	10.94 - 09.98	74	1595	4	AEK	CL001	129	PIN-1
	1.8	11.91 - 09.98	55	1781	4	AAM	CL001	129	PIN-1
	1.8	11.91 - 09.98	66	1781	4	ABS	CL001	129	PIN-1
	2.0	11.91 - 09.98	85	1984	4	2E	CL001	129	PIN-1
	2.8VR610	01.92 - 09.98	128	2792	6	AAA	CL021	142	PIN-6

A

Ignition coils - summary incl. drawings
 Катушки зажигания - перечень, фотографии
 Zapalovací cívky - přehled s fotografiemi

Marking of coils
 Обозначение катушек
 Typové označení cívek

Original number of car producer
 Обозначение производителя автомобилей
 Označení dílu výrobcem automobilů

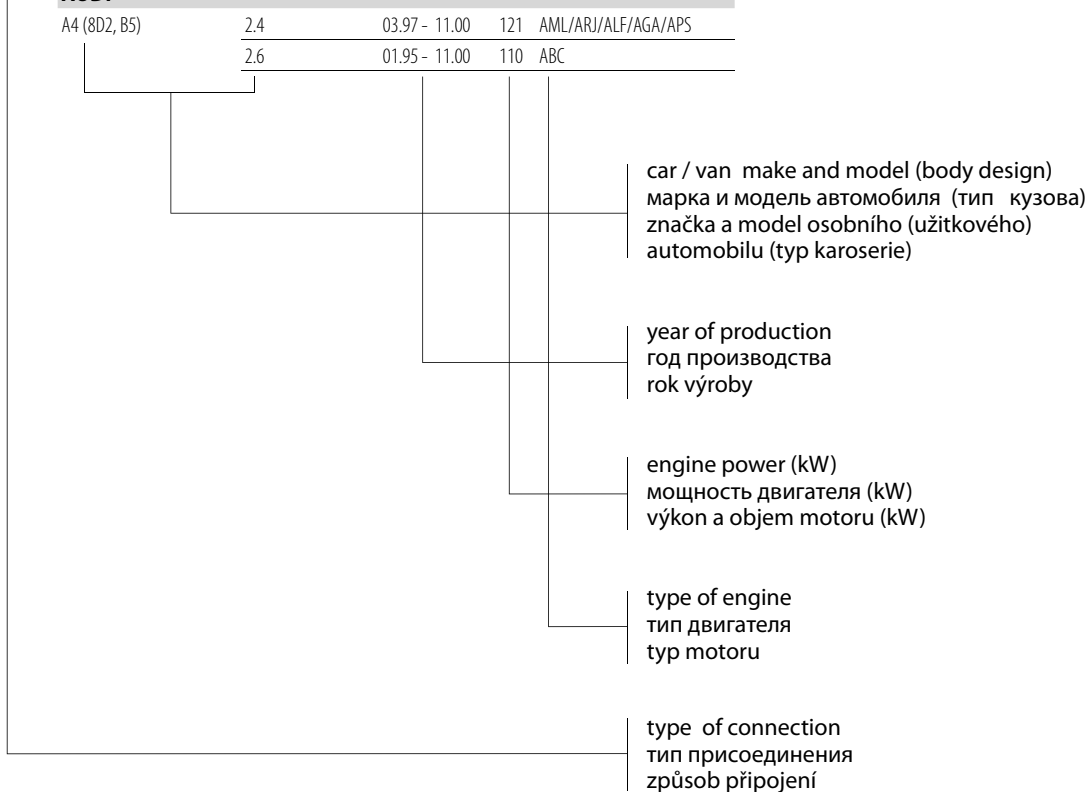
CL006

PIN	OEM-No.		
	VW 078 905 101		
	078 905 101 A		
	078 905 104		

number of connectors: 5

AUDI

A4 (8D2, B5)	2.4	03.97 - 11.00	121	AML/ARJ/ALF/AGA/APS
	2.6	01.95 - 11.00	110	ABC



S

PSA = Citroen / Peugeot
VAG = Volkswagen Group

Kompr. = Kompressor
cat = catalysator

1 coil per cylinder

1 катушка на каждый цилиндр
1 cívka na válec

2 coils per vehicle

2 катушки на автомобиль
2 cívky pro automobil

2 coils and ignition lead set T471G

2 катушки и комплект проводов зажигания T471G
2 cívka a sada zapalovacích kabelů T471G

2 coils and ignition cables

2 катушки и высоковольтные провода
2 cívky a zapalovací kabely

for cylinder 1 & 3 & 5

катушка на цилиндр 1 & 3 & 5
cívka na válce 1 & 3 & 5

number of connectors: 2

к-во коннекторов: 2
počet konektorů: 2

flat (6,3 x 0,8 mm) connectors

плоские коннекторы (6,3 x 0,8 mm)
ploché konektory (6,3 x 0,8 mm)

rectangular socket

прямоугольная розетка
pravoúhlná zásuvka

oval socket

овальная розетка
oválná zásuvka

color of socket: black, brown, grey

цвет розетки: чёрный, коричневый, серый
barva zásuvky: černá, hnědá, šedá

1 socket with 2 connectors

1 розетка с 2 коннекторами
1 zásuvka s 2 konektory

top cover

верхняя крышка
horní kryt

top cover width 44 mm

ширина верхней крышки 44 mm
šířka horního krytu 44 mm

lengths of cables: 47-42-42-42 cm

длина проводов: 47-42-42-42 cm
délka kabelů: 47-42-42-42 cm

old design

бывшее исполнение
starší provedení

new design

новое исполнение
nové provedení

CL001				
VW				
Golf III Variant (1H5)	1.8	07.93 - 04.99	66	ADZ/ABS/ANP
	1.8 Syncro	10.94 - 04.99	66	ADZ
	2.0	07.93 - 04.99	85	ADY/AKR/2E/AGG
	2.0 Syncro	08.95 - 04.99	85	AGG
Golf III Cabriolet (1E7)	1.6	10.94 - 05.98	74	AEK/AFT/AKS
	1.8	07.93 - 05.98	55	AAM
	1.8	07.93 - 05.98	66	ADZ/ABS
	2.0	07.93 - 05.98	85	ADY/AKR/2E/AGG
Golf IV Cabriolet (1E7)	1.6	06.98 - 06.02	74	AFT/AKS
	1.8	06.98 - 06.02	55	ANN/AAM
	1.8	06.98 - 06.02	66	ADZ/ANP
	2.0	06.98 - 06.02	85	ATU/AKR/AWF/AGG/AWG
Kaefer	1.6 i	10.92 - 07.03	34	ACD
Lupo (6X1, 6E1)	1.0	09.98 - 07.05	37	AER/ALL
Passat (3A2, 35I)	1.6	10.94 - 08.96	74	AEK/AFT
	1.8	08.90 - 08.96	55	AAM
	1.8	02.88 - 08.96	66	RP/ADZ/ABS
	2.0	03.95 - 08.96	79	AEP
	2.0	02.90 - 08.96	85	ADY/2E/AGG
	2.0 Syncro	10.90 - 08.96	85	ADY/2E/AGG
Passat Variant (3A5, 35I)	1.6	07.94 - 12.95	74	AEK/AFT
	1.8	08.90 - 05.97	55	AAM
	1.8	02.88 - 05.97	66	RP/ADZ/ABS
	2.0	03.95 - 08.96	79	AEP
	2.0	02.90 - 05.97	85	ADY/2E/AGG
	2.0 Syncro	10.90 - 05.97	85	ADY/2E/AGG
Polo (86C, 80)	1.0	08.85 - 01.92	33	HZ
	1.0 cat	08.89 - 09.94	33	AAU/AAK/ACM
	1.3 cat	10.90 - 09.94	40	NZ/2G/AAV
	1.3 cat	10.89 - 03.91	55	3F
Polo Classic (86C, 80)	1.0	01.85 - 09.94	33	AAU/HZ/AAK
	1.3	01.85 - 07.87	40	MH/HK
	1.3 cat	07.87 - 09.94	40	NZ/MH
Polo Coupe (86C, 80)	1.0	08.85 - 01.92	33	HZ
	1.0 cat	08.89 - 09.94	33	AAU/AAK/ACM
	1.3 cat	07.87 - 08.94	40	NZ/2G/MH/AAV
	1.3 cat	10.89 - 09.94	55	3F
	1.3	03.91 - 09.94	57	3F
1.3 G40	08.90 - 09.94	83	PY	
Polo Van (86CF)	1.0	08.92 - 07.94	33	AAU
Polo 45 (6N1)	1.0	10.94 - 09.96	33	AEV
Polo 50 (6N1)	1.0	09.96 - 10.99	37	AER/ALL
Polo 55 (6N1)	1.3	10.94 - 07.95	40	ADX
	1.4	08.95 - 10.99	40	AEX
Polo 60 (6N1)	1.4	07.95 - 10.99	44	AEX/AKV/APQ
Polo 75 (6N1)	1.6	10.94 - 10.99	55	AEA/AEE/AHS
Polo 100 (6N1)	1.4 16V	04.96 - 10.99	74	AFH
Polo Van (6NF)	1.4	05.98 - 12.99	44	AEX/APQ
Polo Classic 60 (6KV2)	1.4	12.95 - 09.01	44	AEX/AKV/ANW/APQ
Polo Classic 75 (6KV2)	1.6	11.95 - 09.97	55	1F
	1.6	11.95 - 09.01	55	ALM/AEE
Polo Classic 90 (6KV2)	1.8	01.97 - 09.01	66	ADD
Polo Classic 100 (6KV2)	1.6	12.95 - 09.01	74	AFT
Polo Variant (6KV5)	1.4	05.97 - 09.01	44	AEX/AKV/ANW/APQ
	1.6	05.97 - 09.01	55	ALM/AEE
	1.6	05.97 - 09.01	74	AFT
	1.8	05.97 - 09.01	66	ADZ
Sharan (7M8, 7M9, 7M6)	2.0	09.95 - 03.10	85	ATM/ADY
Vento (1H2)	1.4	11.91 - 09.98	40	ABD
	1.4	11.91 - 09.98	44	ABD

CL001				
VW				
Vento (1H2)	1.6	09.92 - 09.98	55	ABU/AEA/AEE
	1.6	10.94 - 09.98	74	AEK
	1.8	11.91 - 09.98	55	AAM
	1.8	11.91 - 09.98	66	ABS
	2.0	11.91 - 09.98	85	2E
Transporter IV Bus	1.8	12.90 - 07.92	49	PD
	2.0	09.90 - 04.03	62	AAC
	2.5	11.90 - 04.03	81	AEN/AAF/ACU/AEU
	2.5 Syncro	11.92 - 04.03	81	AEN/AAF/ACU/AEU
	2.5 Syncro	08.96 - 04.03	85	AVT/AET/APL
Transporter IV Flatbed	2.0	07.90 - 04.03	62	AAC
	2.5	11.90 - 04.03	81	AEN/AAF/ACU/AEU
	2.5 Syncro	10.92 - 04.03	81	AEN/AAF/ACU/AEU
	2.5 Syncro	08.96 - 04.03	85	AVT/AET/APL
	2.5 Syncro	08.96 - 04.03	85	AVT/AET/APL
Transporter IV Van	2.0	07.90 - 04.03	62	AAC
	2.5	11.90 - 04.03	81	AEN/AAF/ACU/AEU
	2.5 Syncro	10.92 - 04.03	81	AEN/AAF/ACU/AEU
	2.5	08.96 - 04.03	85	AVT/AET/APL
	2.5 Syncro	08.96 - 04.03	85	AVT/AET/APL

CL002				
PIN	OEM-No.			
	SEAT 032 905 106 B			
	SKODA 032 905 106 B			
	VW 032 905 106			
	032 905 106 B			
AUDI				
A1 (8X1)	1.2 TFSI	05.10 -	63	CBZA
A2 (8Z0)	1.4	02.00 - 08.05	55	AUA
A3 (8L1)	1.6	09.96 - 08.00	74	AKL/APF/AEH
	1.6	08.00 -	75	AVU/BFQ
	1.8	09.96 -	92	AGN/APG
A3 (8P1)	1.2 TSI	04.10 -	77	CBZB
	1.6	05.03 -	75	BGU/CCSA/BSF/CMXA/BSE
A3 Sportback (8PA)	1.2 TSI	04.10 -	77	CBZB
	1.6	09.04 -	75	BGU/CCSA/BSF/CMXA/BSE
A3 Cabriolet	1.2 TFSI	03.10 -	77	CBZB
	1.6	09.08 -	75	BSE
A4 (8D2, B5)	1.6	11.94 - 10.00	74	AHL/ADP/ARM/ANA
	1.6	07.00 - 11.00	75	ALZ
A4 Avant (8D5, B5)	1.6	11.94 - 09.01	74	AHL/ADP/ARM/ANA
	1.6	07.00 - 09.01	75	ALZ
A4 (8E2, B6)	1.6	11.00 - 12.04	75	ALZ
A4 Avant (8E5, B6)	1.6	09.01 - 12.04	75	ALZ
A4 (8EC, B7)	1.6	11.04 - 06.08	75	ALZ
A4 Avant (8ED, B7)	1.6	11.04 - 06.08	75	ALZ
SEAT				
Alhambra (7V8, 7V9)	2.0 i	04.96 - 03.10	85	ATM
Altea (5P1)	1.2 TSI	04.10 -	77	CBZB
	1.6	03.04 -	75	BGU/CCSA/BSF/CMXA/BSE

CL002				
SEAT				
Altea (5P1)	1.6 LPG	09.09 -	75	CHGA
Altea XL (5P5, 5P8)	1.2 TSI	04.10 -	77	CBZB
	1.6	10.06 -	75	CCSA/BSF/CMXA/BSE
	1.6 LPG	09.09 -	75	CHGA
Arosa (6H)	1.0	05.97 - 06.04	37	ANV/ALD/AUC
	1.4	05.97 - 06.04	44	ANW/AKK/AUD
	1.4 16V	01.00 - 06.04	74	AFK/AUB/AQQ
Cordoba (6K2)	1.0	06.99 - 10.02	37	ANV/ALD/AUC
	1.4	06.99 - 10.02	44	ANW/AKK/AUD
	1.4 16V	05.00 - 10.02	55	APE/AUA
	1.4 16V	02.00 - 10.02	74	AUB/AQQ
Cordoba Varío (6K5)	1.6	06.99 - 10.02	74	AKL/APF/AEH/AUR
	1.4	06.99 - 12.02	44	ANW/AKK/AUD
	1.4 16V	06.99 - 12.02	55	APE/AUA
Cordoba (6L2)	1.6	06.99 - 12.02	74	AKL/APF/AEH/AUR
	1.6	04.03 - 11.09	74	BAH
	2.0	09.02 - 11.09	85	AZL/BBX
Exeo (3R2)	1.6	03.09 -	75	ALZ
	1.8 T	12.08 -	110	CFMA
Exeo ST (3R5)	1.6	06.09 -	75	ALZ
	1.8 T	06.09 -	110	CFMA
Ibiza III (6K1)	1.0	08.99 - 02.02	37	ANV/ALD/AUC
	1.4 16V	05.00 - 02.02	55	APE/AUA
	1.4 16V	08.99 - 02.02	74	AUB/AQQ
	1.6	08.99 - 02.02	74	AKL/APF/AEH/AUR
Ibiza IV (6L1)	1.4 16V	02.02 - 11.09	74	AUB
	1.6	02.03 - 11.09	74	BAH
	2.0	04.02 - 11.09	85	AZL/BBX
Ibiza V (6J5)	1.2 TSI	09.10 -	77	CBZB
Ibiza V Sportcoupe (6J1)	1.2 TSI	09.10 -	77	CBZB
Ibiza V ST (6J8)	1.2 TSI	09.10 -	77	CBZB
Inca (6K9)	1.4 16V	04.00 - 06.03	55	AUA
Leon (1M1)	1.4 16V	11.99 - 06.06	55	AHW/AXP/APE
	1.6	11.99 - 06.06	74	AKL/APF/AEH
	1.6	10.05 - 06.06	75	BGU/BFQ
	1.6 16V	09.00 - 06.06	77	AUS
Leon (1P1)	1.8 20V	11.99 - 06.06	92	AGN/APG
	1.2 TSI	02.10 -	77	CBZB
	1.6	07.05 -	75	BFQ/CCSA/BSF/CMXA/BSE
Toledo II (1M2)	1.6 LPG	12.09 -	75	CHGA
	1.4 16V	07.99 - 05.06	55	AHW/AXP/BCA/APE/AUA
	1.6	04.99 - 09.00	74	AKL/APF/AEH
	1.6 16V	09.00 - 05.06	77	AUS
Toledo III (5P2)	1.8 20V	04.99 - 05.06	92	AGN/APG
	1.6	10.04 - 05.09	75	BGU/CCSA/BSF/BSE
	1.6	04.00 - 12.07	85	AZL
SKODA				
Fabia (6Y2)	1.4 16V	12.99 - 03.08	55	AUA
	1.4 16V	12.99 - 03.08	74	AUB
	2.0	12.99 - 03.08	85	AQY/AZL
Fabia Sedan (6Y3)	1.4 16V	10.99 - 12.07	55	AUA
	1.4 16V	12.99 - 12.07	74	AUB
	2.0	12.99 - 12.07	85	AZL
Fabia Combi (6Y5)	1.4 16V	05.00 - 12.07	55	AUA
	1.4 16V	04.00 - 12.07	74	AUB
	2.0	04.00 - 12.07	85	AZL
Fabia	1.2 TSI	03.10 -	63	CBZA
	1.2 TSI	03.10 -	77	CBZB
Fabia Combi	1.2 TSI	03.10 -	63	CBZA
	1.2 TSI	03.10 -	77	CBZB
Octavia (1U2)	1.4 16V	09.00 -	55	AXP/BCA

CL002				
SKODA				
Octavia (1U2)	1.6	02.97 -	74	AKL/AEH
	1.6	11.00 -	75	AVU/BFQ
	1.8	09.96 -	92	AGN
	2.0	04.99 -	85	APK/AZH/AQY/AEG
Octavia Combi (1U5)	1.4 16V	08.00 -	55	AXP/BCA
	1.6	07.98 -	74	AKL/AEH
	1.6	09.00 -	75	AVU/BFQ
	1.8 20V	07.98 -	92	AGN
	2.0	04.99 -	85	APK/AZH/AQY/AEG
	2.0 4x4	05.01 -	85	AZH/AQY/AEG
Octavia (1Z3)	2.0 4x4	01.00 -	88	ATF
	1.2 TSI	02.10 -	77	CBZB
	1.6	06.04 -	75	BGU/CCSA/BSF/CMXA/BSE
	1.6 LPG	08.09 -	75	CHGA
Octavia Combi (1Z5)	1.6 Multifuel	01.08 -	75	CCSA/CMXA
	1.2 TSI	02.10 -	77	CBZB
	1.6	09.04 -	75	BGU/CCSA/BSF/CMXA/BSE
Roomster (5J)	1.6 Multifuel	01.08 -	75	CCSA/CMXA
	1.6 LPG	08.09 -	75	CHGA
	1.2 TSI	03.10 -	63	CBZA
Roomster Praktik (5J)	1.2 TSI	03.10 -	63	CBZA
	1.2 TSI	03.10 -	77	CBZB
Superb (3U4)	2.0	02.02 - 03.08	85	AZM
Yeti (5L)	1.2 TSI	09.09 -	77	CBZB
VW				
Bora (1J2)	1.4 16V	03.00 - 05.05	55	AHW/AXP/APE/AKQ
	1.6	10.98 - 05.05	74	AKL/APF/AEH
	1.6	08.00 - 05.05	75	AVU/BFQ
	1.6 16V	05.00 - 05.05	77	AUS/ATN
	1.8	10.98 - 05.05	92	AGN/BAF
	1.8 4motion	02.99 - 05.05	92	AGN
	2.0	10.98 - 05.05	85	APK/AZH/AQY
	2.0 4motion	04.00 - 05.05	85	AZH
Bora Combi (1J6)	1.4 16V	09.01 - 05.05	55	AHW/AXP
	1.6	05.99 - 05.05	74	APF/AEH
	1.6	08.00 - 05.05	75	AVU/BFQ
	1.6 16V	02.00 - 05.05	77	AUS/ATN
	1.8 4motion	05.99 - 05.05	92	AGN
	2.0	05.99 - 05.05	85	APK/AZH/AQY
Caddy II Combi (9K9B)	2.0 4motion	04.00 - 05.05	85	AZH/AZJ
	1.4	11.95 - 01.04	44	AUD
	1.4 16V	08.00 - 01.04	55	AUA
	1.4	11.95 - 01.04	44	AUD
Caddy II 60 Van (9K9A)	1.4	11.95 - 01.04	44	AUD
Caddy II Van (9K9A)	1.4	08.00 - 01.04	55	AUA
Caddy III Combi	1.2 TSI	09.10 -	63	CBZA
	1.2 TSI	09.10 -	77	CBZB
	1.6	04.04 -	75	BGU/BSF/BSE
Caddy III Van	1.2 TSI	09.10 -	63	CBZA
	1.2 TSI	09.10 -	77	CBZB
	1.6	04.04 -	75	BGU/BSF/BSE
Fox (5Z1, 5Z3)	1.4	04.05 -	55	BKR
Golf IV (1J1)	1.4 16V	08.97 - 06.05	55	AHW/AXP/APE/AKQ
	1.6	08.97 - 02.00	74	AKL/APF/AEH
	1.6	08.00 - 06.05	75	AVU/BFQ
	1.6 16V	02.00 - 06.05	77	AUS/ATN
	1.8	08.97 - 06.05	92	AGN/BAF
	1.8 4motion	05.98 - 06.05	92	AGN
	2.0	07.98 - 06.05	85	APK/AQY
	2.0 4motion	10.00 - 06.05	85	AZH/AZJ
Golf IV Variant (1J5)	1.4 16V	05.99 - 06.06	55	AXP

CL002				
VW				
Golf IV Variant (1J5)	1.6	05.99 - 02.00	74	AKL/APF/AEH
	1.6	08.00 - 06.06	75	AVU/BFQ
	1.6 16V	02.00 - 06.06	77	AUS/ATN
	1.8 4motion	05.99 - 06.06	92	AGN
	2.0	05.99 - 06.06	85	APK/AQY
	2.0 4motion	10.00 - 06.06	85	AZH
Golf V (1K1)	1.6	01.04 -	75	BGU/BSF/BSE
Golf V Variant (1K5)	1.6	06.07 -	75	CCSA/BSF/BSE
Golf VI (5K1)	1.2 TSI	05.09 -	77	CBZB
	1.6	10.08 -	75	CCSA/BSF/CMXA/BSE
	1.6 Bifuel	03.09 -	75	CHGA
	1.6 Multifuel	10.08 -	75	CCSA/CMXA
Golf VI Variant (AJ5)	1.2 TSI	07.10 -	63	CBZA
	1.2 TSI	08.09 -	77	CBZB
Golf VI Cabriolet (517)	1.2 TSI	03.11 -	77	CBZB
Golf Plus (5M1, 521)	1.2 TSI	11.09 -	77	CBZB
	1.6	05.05 -	75	CCSA/BSF/CMXA/BSE
	1.6 Multifuel	11.07 -	75	CCSA/CMXA
	1.6 Bifuel	05.09 -	75	CHGA
Jetta III (1K2)	1.6	10.05 - 10.10	75	CCSA/BSF/BSE
Jetta IV (162)	1.2 TSI	02.11 -	77	CBZB
	2.0	06.10 -	85	CKJA/CBPA
Lupo (6X1, 6E1)	1.0	09.98 - 07.05	37	ALD/ANV/AUC
	1.4	10.00 - 07.05	44	AUD
	1.4 16V	09.98 - 07.05	55	AHW/APE/AKQ/AUA
	1.4 16V	08.99 - 07.05	74	AFK/AUB/AQQ
	1.6 GTI	09.00 - 07.05	92	AVY
New Beetle (9C1, 1C1)	1.6	10.99 - 09.00	74	AWH
	1.6	06.00 -	75	AYD/BFS
New Beetle Cabriolet	1.6	01.03 -	75	BFS
Passat (3B2)	1.6	10.96 - 11.00	74	AHL/ARM/ANA
Passat Variant (3B5)	1.6	06.97 - 11.00	74	AHL/ARM/ANA
Passat (3B3)	1.6	11.00 - 05.05	75	ALZ
	2.0	11.00 - 05.05	85	AZM/BFF
	2.0 4motion	11.00 - 05.05	85	AZM
Passat Variant (3B6)	1.6	11.00 - 05.05	75	ALZ
	2.0	11.00 - 05.05	85	AZM
	2.0 4motion	11.00 - 05.05	85	AZM
Passat (3C2)	1.6	05.05 -	75	BSF/BSE
Passat Variant (3C5)	1.6	08.05 -	75	BSF/BSE
Polo 120 (6N1)	1.6 16V GTI	09.98 - 10.99	88	AJV
Polo Classic 60 (6KV2)	1.4	12.95 - 09.01	44	AKK/AUD
Polo Classic 75 (6KV2)	1.4 16V	10.99 - 09.01	55	APE/AUA
Polo Classic 100 (6KV2)	1.6	12.95 - 09.01	74	AKL/APF/AEH/AUR
Polo Variant (6KV5)	1.4	12.98 - 09.01	40	AKP
	1.4	05.97 - 09.01	44	AKK/AUD
	1.4 16V	10.99 - 09.01	55	APE/AUA
	1.6	05.97 - 09.01	74	AKL/APF/AEH/AUR
Polo (6N2)	1.0	10.99 - 09.01	37	ALD/AUC
	1.4	10.99 - 09.01	40	ANX/AKP
	1.4	10.99 - 09.01	44	AKK/AUD
	1.4 16V	10.99 - 09.01	55	AHW/APE/AUA
	1.4 16V	10.99 - 09.01	74	AFK/AUB/AQQ
	1.6 16V GTI	10.99 - 09.01	92	AVY/ARC
Polo (9N_)	1.4 16V	10.01 - 05.08	55	AUA
Polo (6R_)	1.2 TSI	11.09 -	77	CBZB
Sharan (7M8, 7M9, 7M6)	2.0 LPG	04.06 - 03.10	85	ATM
Sharan (7N)	1.4 TSI	05.10 -	110	CAVA
Touran (1T1, 1T2, 1T3)	1.2 TSI	05.10 -	77	CBZB
	1.6	07.03 - 05.10	75	BGU/BSF/BSE

CL002				
VW				
Multivan V	2.0	11.03 -	85	AXA
Transporter V Bus	2.0	11.03 -	85	AXA
Transporter V Flatbed	2.0	11.03 -	85	AXA
Transporter V Van	2.0	11.03 -	85	AXA



1 coil per cylinder

CL003				
				OEM-No.
				VW 036 905 715
				036 905 100 A
				036 905 100 B
				036 905 100 C
				036 905 100 D
				036 905 715 A
				036 905 715 C
				036 905 715 E
				036 905 715 F
AUDI				
A1 (8X1)	1.4 TFSI	05.10 -	90	CNVA/CAXA
A2 (8Z0)	1.4	02.00 - 08.05	55	BBY
	1.6 FSI	05.02 - 08.05	81	BAD
A3 (8P1)	1.4 TFSI	09.07 -	92	CMSA/CAXC
	1.6 FSI	08.03 -	85	BLF/BLP/BAG
A3 Sportback (8PA)	1.4 TFSI	09.07 -	92	CMSA/CAXC
	1.6 FSI	09.04 -	85	BLF/BLP
SEAT				
Alhambra (710)	1.4 TSI	06.10 -	110	CNWB/CAVA
Altea (5P1)	1.4 16V	05.06 -	63	CGGB/BXW
	1.4 TSI	11.07 -	92	CAXC
Altea XL (5P5, 5P8)	1.4 16V	10.06 -	63	CGGB/BXW
	1.4 TSI	11.07 -	92	CAXC
Cordoba (6L2)	1.2	10.02 - 06.06	47	AZQ/BME
	1.2 12V	05.06 - 11.09	51	BXV
	1.4 16V	09.02 - 12.07	55	BBY
	1.4 16V	05.06 - 11.09	63	BXW
	1.4 16V	10.02 - 11.09	74	BBZ/AUB
	1.6 16V	11.06 - 11.09	77	BTS
Ibiza IV (6L1)	1.2	02.02 - 06.06	47	AZQ
	1.2 12V	05.06 - 11.09	51	BXV
	1.4 16V	02.02 - 12.07	55	BBY
	1.4 16V	05.06 - 11.09	63	BXW
	1.4 16V	02.02 - 11.09	74	BBZ
	1.6 16V	11.06 - 11.09	77	BTS
Ibiza V (6J5)	1.2	07.09 -	44	CGPB
	1.2	03.08 -	51	BZG/CGPA
	1.4	03.08 -	63	CGGB/BXW
	1.4 TSI	06.09 -	110	CAVF
	1.6	05.08 -	77	BTS
Ibiza V Sportcoupe (6J1)	1.2	07.09 -	44	CHFA/CGPB
	1.2	07.08 -	51	BZG/CGPA
	1.4	07.08 -	63	CGGB/BXW
	1.4 TSI	06.09 -	110	CAVF
	1.4 TSI	06.09 -	132	CAVE
	1.6	07.08 -	77	BTS
Ibiza V ST (6J8)	1.2	05.10 -	44	CGPB
	1.2	05.10 -	51	CGPA
	1.4	03.10 -	63	CGGB
Leon (1M1)	1.4 16V	11.99 - 06.06	55	BCA

CL003			
SEAT			
Leon (1M1)	1.6 16V	09.00 - 06.06	77 BCB/AZD
Leon (1P1)	1.4 16V	06.06 -	63 CGGB/BXW
	1.4 TSI	11.07 -	92 CAXC
Toledo II (1M2)	1.6 16V	09.00 - 05.06	77 BCB/AZD
SKODA			
Fabia (6Y2)	1.2	01.03 - 03.08	47 AZQ/BME
	1.4 16V	12.99 - 03.08	55 BBY/BKY
	1.4 16V	12.99 - 03.08	74 BBZ/AUB
Fabia Sedan (6Y3)	1.2	01.03 - 12.07	47 AZQ/BME
	1.4 16V	10.99 - 12.07	55 BBY/BKY
	1.4 16V	04.06 - 12.07	59 BUD
	1.4 16V	12.99 - 12.07	74 BBZ
Fabia Combi (6Y5)	1.2	01.03 - 12.07	47 AZQ/BME
	1.4 16V	05.00 - 12.07	55 BBY/BKY
	1.4 16V	04.06 - 12.07	59 BUD
	1.4 16V	04.00 - 12.07	74 BBZ
Fabia Praktik	1.2	01.03 - 12.07	47 AZQ/BME
Fabia	1.2	01.07 -	51 CEVA/BZG/CGPA/CHTA
	1.4	01.07 -	63 CGGB/BXW
	1.4 TSI	05.10 -	132 CAVE
	1.6	04.07 -	77 BTS/CFNA
Fabia Combi	1.2	10.07 -	51 CEVA/BZG/CGPA/CHTA
	1.4	10.07 -	63 CGGB/BXW
	1.4 TSI	05.10 -	132 CAVE
	1.6	10.07 -	77 BTS/CFNA
Octavia (1Z3)	1.4	05.04 - 05.06	55 BCA
	1.4	06.04 -	59 BUD/CGGA
	1.4 TSI	11.08 -	90 CAXA
	1.6 FSI	02.04 - 10.08	85 BLF
Octavia Combi (1Z5)	1.4	05.06 -	59 BUD/CGGA
	1.4 TSI	11.08 -	90 CAXA
	1.6 FSI	02.04 - 10.08	85 BLF
Roomster (5J)	1.2	05.06 - 01.07	47 BME
	1.2	01.07 -	51 BZG/CGPA
	1.4	09.06 -	63 CGGB/BXW
	1.6	09.06 -	77 BTS/CFNA
Roomster Praktik (5J)	1.2	03.07 -	51 BZG/CGPA
	1.4	03.07 -	63 CGGB/BXW
Superb (3T4)	1.4 TSI	07.08 -	92 CAXC
Superb Combi (3T5)	1.4 TSI	10.09 -	92 CAXC
Yeti (5L)	1.4 TSI	06.10 -	90 CAXA
VW			
Bora (1J2)	1.4 16V	03.00 - 05.05	55 BCA
	1.6 16V	05.00 - 05.05	77 BCB/AZD
	1.6 FSI	01.02 - 05.05	81 BAD
Bora Combi (1J6)	1.4 16V	09.01 - 05.05	55 BCA
	1.6 16V	02.00 - 05.05	77 BCB/AZD
	1.6 FSI	01.02 - 05.05	81 BAD
Caddy III Combi	1.4	03.04 - 05.06	55 BCA
	1.4 16V	05.06 - 08.10	59 BUD
Caddy III Van	1.4	03.04 - 05.06	55 BCA
	1.4 16V	05.06 - 08.10	59 BUD
Eos (1F7, 1F8)	1.4 TSI	11.07 -	90 CAXA
	1.4 TSI	05.08 -	118 CAVD
	1.6 FSI	06.06 - 05.08	85 BLF
Golf IV (1J1)	1.4 16V	08.97 - 06.05	55 BCA
	1.6 16V	02.00 - 06.05	77 BCB/AZD
	1.6 FSI	01.02 - 06.05	81 BAD
Golf IV Variant (1J5)	1.4 16V	05.99 - 06.06	55 BCA
	1.6 16V	02.00 - 06.06	77 BCB/AZD

CL003			
VW			
Golf IV Variant (1J5)	1.6 FSI	01.02 - 06.06	81 BAD
Golf V (1K1)	1.4 16V	10.03 -	55 BCA
	1.4 16V	05.06 -	59 BUD
	1.4 FSI	10.03 -	66 BKG/BLN
	1.4 TSI	05.07 -	90 CAXA
	1.4 TSI	05.06 -	103 BMY
	1.4 TSI	11.05 -	125 BLG
	1.6 FSI	10.03 -	85 BLF/BLP/BAG
Golf V Variant (1K5)	1.4	06.07 -	59 BUD
	1.4 TSI	06.07 -	90 CAXA
	1.4 TSI	06.07 -	103 BMY
	1.4 TSI	07.08 -	118 CAVD
	1.4 TSI	06.07 -	125 BLG
Golf VI (5K1)	1.4	10.08 -	59 CGGA
	1.4 TSI	10.08 -	90 CAXA
	1.4 TSI	10.08 -	118 CAVD
Golf VI Variant (AJ5)	1.4	07.09 -	59 BUD/CGGA
	1.4 TSI	07.09 -	90 CAXA
	1.4 TSI	07.09 -	118 CAVD
	1.6	07.09 -	75 CCSA/BSF/CMXA/BSE
Golf VI Cabriolet (517)	1.4 TSI	11.11 -	90 CAXA
	1.4 TSI	03.11 -	118 CAVD/CNWA
Golf Plus (5M1, 521)	1.4 16V	01.05 -	55 BCA
	1.4 16V	05.06 -	59 BUD/CGGA
	1.4 FSI	07.05 -	66 BLN
	1.4 TSI	06.07 -	90 CAXA
	1.4 TSI	05.06 - 06.08	103 BMY
	1.4 TSI	06.08 -	118 CAVD/CNWA
	1.4 TSI	05.06 - 06.08	125 BLG
	1.6 FSI	01.05 - 05.08	85 BLF
Jetta III (1K2)	1.4 TSI	05.07 - 10.10	90 CAXA
	1.4 TSI	07.06 - 10.10	103 BMY
	1.4 TSI	07.08 - 10.10	118 CAVD
	1.4 TSI	07.06 - 10.10	125 BLG
	1.6 FSI	09.05 - 10.10	85 BLF
Jetta IV (162)	1.4 TSI	04.11 -	118 CAVD
Lupo (6X1, 6E1)	1.4 16V	09.98 - 07.05	55 BBY
	1.4 FSI	02.01 - 07.05	77 ARR
New Beetle (9C1, 1C1)	1.4	11.01 -	55 BCA
New Beetle Cabriolet	1.4	01.03 -	55 BCA
Passat (3C2)	1.4 TSI	05.07 -	90 CAXA
	1.4 TSI Ecofuel	01.09 -	110 CDGA
	1.6 FSI	03.05 -	85 BLF
Passat Variant (3C5)	1.4 TSI	05.07 -	90 CAXA
	1.4 TSI Ecofuel	01.09 -	110 CDGA
	1.6 FSI	08.05 -	85 BLF
Passat (362)	1.4 TSI	08.10 -	90 CAXA
	1.4 TSI Multifuel	11.10 -	118 CKMA
	1.4 TSI Ecofuel	08.10 -	110 CDGA
Passat Variant (365)	1.4 TSI	08.10 -	90 CAXA
	1.4 TSI Multifuel	11.10 -	118 CKMA
	1.4 TSI Ecofuel	08.10 -	110 CDGA
Polo (9N_)	1.2 12V	10.01 - 07.07	47 AZQ/BME
	1.2 12V	05.07 -	51 BZG
	1.4 16V	10.01 - 05.08	55 BBY
	1.4 16V	05.06 -	59 BUD
	1.4 FSI	02.02 - 07.06	63 AXU
	1.4 16V	10.01 - 05.08	74 BBZ/AUB
	1.6 16V	05.06 -	77 BTS
Polo Sedan	1.4	07.03 -	55 BBY/BKY

CL003				
VW				
Polo Sedan	1.4	11.03 -	74	BBZ
Polo (6R_)	1.2	06.09 -	44	CGPB
	1.2	06.09 -	51	CGPA
	1.4	06.09 -	63	CGGB/CLPA/CDDA
	1.4 GTI	05.10 -	132	CAVE
Scirocco (137)	1.4 TSI	08.08 -	90	CMSB/CAXA
	1.4 TSI	05.08 -	118	CAVD/CNWA
Tiguan (5N_)	1.4 TSI	08.10 -	90	CAXA
	1.4 TSI	05.08 -	110	BWK/CAVA
	1.4 TSI 4motion	09.07 -	110	BWK/CAVA
Touran (1T1, 1T2, 1T3)	1.4 TSI	02.06 -	103	BMY
	1.4 TSI Ecofuel	05.09 -	110	CDGA
	1.4 FSI	11.06 -	125	BLG/CAVB
	1.6 FSI	02.03 - 01.07	85	BLF/BLP/BAG



1 coil per cylinder, number of connectors: 3

CL004				
OEM-No.				
			VW 058 905 101	
			058 905 105	
AUDI				
A3 (8L1)	1.8 T quattro	12.96 -	110	AGU
A4 (8D2, B5)	1.8 T	01.95 - 11.00	110	ARK/AEB/ANB/APU
	1.8 T quattro	01.95 - 11.00	110	ARK/AEB/ANB/APU
	1.8 T	12.97 - 11.00	132	AJL
	1.8 T quattro	12.97 - 11.00	132	AJL
A4 Avant (8D5, B5)	S4 2.7 quattro	09.97 - 11.00	195	AGB/AZB
	1.8 T	03.96 - 09.01	110	ARK/AEB/ANB/APU
	1.8 T quattro	01.96 - 09.01	110	ARK/AEB/ANB/APU
	1.8 T	12.97 - 09.01	132	AJL
	1.8 T quattro	12.97 - 09.01	132	AJL
A6 (4A, C4)	S4 2.7 quattro	09.97 - 09.01	195	AGB/AZB
	RS4 2.7 quattro	05.00 - 09.01	280	AZR/ASJ
	S6 4.2 Plus q.	04.96 - 10.97	240	AHK
A6 Avant (4A, C4)	S6 4.2 Plus q.	04.96 - 12.97	240	AHK
A6 (4B, C5)	1.8 T	01.97 - 01.05	110	ARK/AEB/ANB/APU
	1.8 T quattro	02.97 - 01.05	110	ARK/AEB/ANB/APU
	1.8 T	12.97 - 01.05	132	AJL
	1.8 T quattro	12.97 - 01.05	132	AJL
	2.7 T	02.99 - 01.05	169	AJK
	2.7 T quattro	12.97 - 01.05	169	AJK
	2.7 T quattro	08.01 - 01.05	184	BES/ARE
A6 Avant (4B, C5)	1.8 T	12.97 - 01.05	110	ARK/AEB/ANB/APU
	1.8 T quattro	12.97 - 01.05	110	ARK/AEB/ANB/APU
	1.8 T	04.99 - 01.05	132	AJL
	1.8 T quattro	12.97 - 01.05	132	AJL
	2.7 T	02.99 - 01.05	169	AJK
	2.7 T quattro	12.97 - 01.05	169	AJK/AZA
	2.7 T quattro	08.01 - 01.05	184	ARE

CL004				
AUDI				
Allroad (4BH, C5)	2.7 T quattro	05.00 - 08.05	184	ARE
A8 (4D2, 4D8)	3.7	07.95 - 12.98	169	AEW
	3.7 quattro	07.95 - 11.98	169	AKJ/AEW
	4.2 quattro	03.94 - 07.96	180	AEM
	4.2 quattro	03.94 - 11.98	220	AKG/ABZ
	S8 4.2 quattro	07.96 - 06.99	250	AHC/AKH
SEAT				
Alhambra (7V8, 7V9)	1.8 T 20V	10.97 - 03.10	110	AWC/AJH
SKODA				
Octavia (1U2)	1.8 T	08.97 -	110	AGU
	1.8 T 4x4	05.01 -	110	AGU
Octavia Combi (1U5)	1.8 T	07.98 -	110	AGU
	1.8 T 4x4	05.01 -	110	AGU
VW				
Bora (1J2)	1.8 T	05.00 - 05.05	110	AGU
Bora Combi (1J6)	1.8 T	05.00 - 05.05	110	AGU
Golf IV (1J1)	1.8 T	08.97 - 06.05	110	AGU
Golf IV Variant (1J5)	1.8 T	05.00 - 06.06	110	AGU
Passat (3B2)	1.8 T	10.96 - 11.00	110	AEB/ANB/APU
Passat Variant (3B5)	1.8 T	06.97 - 11.00	110	AEB/ANB/APU
Sharan (7M8, 7M9, 7M6)	1.8 T 20V	09.97 - 03.10	110	AJH



1 coil per cylinder, number of connectors: 4

CL005				
OEM-No.				
		VW 06A 905 115	06B 905 115 N	
		06A 905 115 A	06B 905 115 R	
		06A 905 115 B	06C 905 115 B	
		06A 905 115 C	06C 905 115 D	
		06B 905 115 D	06C 905 115 E	
		06B 905 115 G	06C 905 115 F	
		06B 905 115 H	06C 905 115 G	
		06B 905 115 J	06C 905 115 H	
		06B 905 115 L	06C 905 115 K	
		06B 905 115 M	06C 905 115 L	
AUDI				
A3 (8L1)	1.8 T quattro	12.96 - 07.98	110	ARX
	1.8 T	12.98 -	132	AJQ/APP
	S3 1.8 quattro	03.99 -	154	AMK/APY
A4 (8D2, B5)	S3 1.8 quattro	10.01 -	165	BAM
	1.8 T	01.95 - 11.00	110	AWT
A4 Avant (8D5, B5)	1.8 T quattro	01.95 - 11.00	110	AWT
	1.8 T	03.96 - 09.01	110	AWT
A4 (8E2, B6)	1.8 T quattro	01.96 - 09.01	110	AWT
	1.8 T	11.00 - 07.02	110	AWJ
	1.8 T quattro	11.00 - 07.02	110	AWJ
	1.8 T	07.02 - 12.04	120	BFB/BKB
A4 Avant (8E5, B6)	1.8 T quattro	07.02 - 12.04	120	BFB
	1.8 T	11.02 - 12.04	140	BEX
	1.8 T quattro	11.02 - 12.04	140	BEX
	1.8 T	09.01 - 07.02	110	AWJ
A4 Avant (8E5, B6)	1.8 T quattro	09.01 - 07.02	110	AWJ
	1.8 T	07.02 - 12.04	120	BFB



CL005					
AUDI					
A4 Avant (8E5, B6)	1.8T quattro	07.02 - 12.04	120	BFB	
	1.8T	11.02 - 12.04	140	BEX	
	1.8T quattro	11.02 - 12.04	140	BEX	
A4 Cabriolet	1.8T	07.02 - 03.09	120	BFB	
	1.8T quattro	05.03 - 03.09	120	BFB	
A4 (8EC, B7)	1.8T	11.04 - 06.08	120	BFB	
	1.8T quattro	11.04 - 06.08	120	BFB	
	2.0	11.04 - 06.08	96	ALT	
A4 Avant (8ED, B7)	1.8T	11.04 - 06.08	120	BFB	
	1.8T quattro	11.04 - 06.08	120	BFB	
	2.0	11.04 - 06.08	96	ALT	
A6 (4B, C5)	1.8T	01.97 - 01.05	110	AWT	
	1.8T quattro	02.97 - 01.05	110	AWT	
	2.7T quattro	08.01 - 01.05	184	BES	
A6 Avant (4B, C5)	1.8T	12.97 - 01.05	110	AWT	
	1.8T quattro	12.97 - 01.05	110	AWT	
	2.7T quattro	08.01 - 01.05	184	BES	
TT (8N3)	1.8T	09.02 - 06.06	110	AUM	
	1.8T	09.05 - 06.06	120	BVP	
	1.8T	08.00 - 06.06	132	ARY/AUQ	
	1.8T quattro	10.98 - 06.06	132	ARY	
	1.8T	09.05 - 06.06	140	BVR	
	1.8T quattro	09.05 - 06.06	140	BVR	
	1.8T quattro	10.98 - 06.06	165	BAM	
TT Roadster (8N9)	1.8T	03.05 - 06.06	176	BFV	
	1.8T	01.01 - 06.06	110	AUM	
	1.8T	09.05 - 06.06	120	BVP	
	1.8T	08.00 - 06.06	132	APP/AUQ	
	1.8T quattro	02.00 - 06.06	132	ARY	
1.8T	09.05 - 06.06	140	BVR		
	1.8T quattro	09.05 - 06.06	140	BVR	
	1.8T quattro	10.99 - 06.06	165	BAM/APX	
	SEAT				
	Cordoba (6K2)	1.8T 20V Cupra	07.00 - 10.02	115	AYP/AQX
Ibiza III (6K1)	1.8T 20V Cupra	07.00 - 02.02	115	AYP/AQX	
Ibiza IV (6L1)	1.8T FR	12.03 - 05.08	110	BKV/BJX	
	1.8T Cupra R	01.04 - 02.08	132	BBU/BLZ	
Leon (1M1)	1.8 20VT	11.99 - 06.06	132	APP/AUQ	
	1.8 20VT 4	11.99 - 06.06	132	ARY	
	1.8T Cupra R	02.02 - 06.06	154	AMK	
	1.8T Cupra R	07.03 - 06.06	165	BAM	
Toledo II (1M2)	1.8 20VT	05.01 - 05.06	132	APP/AUQ	
SKODA					
Octavia (1U2)	1.8T	08.97 -	110	ARX/ARZ/AUM	
	1.8T 4x4	05.01 -	110	ARX/AUM	
	1.8T RS	05.01 -	132	AUQ	
Octavia Combi (1U5)	1.8T	07.98 -	110	ARX/ARZ//AUM	
	1.8T 4x4	05.01 -	110	ARX/AUM	
	1.8T RS	08.02 -	132	AUQ	
Superb (3U4)	1.8T	02.02 - 03.08	110	AWT	
VW					
Bora (1J2)	1.8T	05.00 - 05.05	110	ARX/AUM	
	1.8T	03.02 - 05.05	132	AUQ	
Bora Combi (1J6)	1.8T	05.00 - 05.05	110	ARX/AUM	
	1.8T	05.02 - 05.05	132	AUQ	
Golf IV (1J1)	1.8T	08.97 - 06.05	110	ARZ/AQA/AGU/AUM/AWD	
	1.8T GTI	08.01 - 06.05	132	AUQ	
Golf IV Variant (1J5)	1.8T	05.00 - 06.06	110	AUM	
New Beetle (9C1, 1C1)	1.8T	10.99 -	110	AWV/APH/AVC/AWU	
New Beetle Cabriolet	1.8T	01.03 -	110	AWU	

CL005				
VW				
Passat (3B3)	1.8T 20V	11.00 - 05.05	110	AWT/AWL
	2.0	11.01 - 05.05	96	ALT
Passat Variant (3B6)	1.8T 20V	11.00 - 05.05	110	AWT
	2.0	11.01 - 05.05	96	ALT

CL006	
PIN	OEM-No.
	VW 078 905 101
	078 905 101 A
	078 905 104



number of connectors: 5

AUDI				
80 (8C, B4)	2.6	07.92 - 12.94	110	ABC
	2.6 quattro	06.92 - 12.94	110	ABC
	2.8	09.91 - 12.94	128	AAH
	2.8 quattro	09.91 - 12.94	128	AAH
	2.8 quattro	09.91 - 12.94	128	AAH
80 Avant (8C, B4)	2.6	07.92 - 01.96	110	ABC
	2.6 quattro	07.92 - 07.95	110	ABC
	2.8	09.91 - 01.96	128	AAH
	2.8 quattro	08.92 - 07.95	128	AAH
	2.8 quattro	08.92 - 07.95	128	AAH
A4 (8D2, B5)	2.4	08.97 - 11.00	120	AMM/APZ/AJG
	2.4 quattro	08.97 - 11.00	120	APZ
	2.4	03.97 - 11.00	121	AML/ARJ/ALF/AGA/APS
	2.4 quattro	03.97 - 11.00	121	AML/ARJ/ALF/AGA/APS
	2.6	01.95 - 07.98	110	ABC
	2.6 quattro	01.95 - 07.98	110	ABC
	2.8	10.96 - 11.00	142	APR/ACK/ALG/AQD/AMX
	2.8 quattro	10.96 - 11.00	142	APR/ACK/ALG/AQD/AMX
	2.8 quattro	10.96 - 11.00	142	APR/ACK/ALG/AQD/AMX
	2.8 quattro	10.96 - 11.00	142	APR/ACK/ALG/AQD/AMX
A4 Avant (8D5, B5)	2.4	08.97 - 09.01	120	AMM/APZ/AJG
	2.4 quattro	08.97 - 09.01	120	APZ
	2.4	03.97 - 09.01	121	AML/ARJ/ALF/AGA/APS
	2.4 quattro	03.97 - 09.01	121	AML/ARJ/ALF/AGA/APS
	2.6	02.96 - 07.98	110	ABC
	2.6 quattro	01.96 - 07.98	110	ABC
	2.8	10.96 - 09.01	142	APR/ACK/ALG/AQD/AMX
	2.8 quattro	10.96 - 09.01	142	APR/ACK/ALG/AQD/AMX
	2.8 quattro	10.96 - 09.01	142	APR/ACK/ALG/AQD/AMX
	2.8 quattro	10.96 - 09.01	142	APR/ACK/ALG/AQD/AMX
A4 (8E2, B6)	2.4	09.01 - 12.04	120	AMM
	2.4	09.01 - 12.04	125	BDV
A4 Avant (8E5, B6)	2.4	09.01 - 12.04	120	AMM
	2.4	09.01 - 12.04	125	BDV
A4 Cabriolet	2.4	04.02 - 12.05	120	AMM
	2.4	04.02 - 12.05	125	BDV
A6 (4A, C4)	2.6	06.94 - 10.97	110	ABC
	2.6 quattro	06.94 - 10.97	110	ABC
	2.8	12.95 - 10.97	142	ACK
	2.8 quattro	12.95 - 10.97	142	ACK
A6 Avant (4A, C4)	2.6	06.94 - 12.97	110	ABC
	2.6 quattro	06.94 - 12.97	110	ABC
	2.8	12.95 - 12.97	142	ACK
	2.8 quattro	12.95 - 12.97	142	ACK
A6 (4B, C5)	2.4	07.98 - 01.05	100	ARN/ASM/ALW

CL006

CL006					
AUDI					
A6 (4B, C5)	2.4	02.97 - 01.05	115	APC	
	2.4 quattro	08.98 - 07.99	115	APC	
	2.4	02.97 - 01.05	120	AMM/APZ/AJG	
	2.4 quattro	02.97 - 01.05	120	APZ/AJG	
	2.4	02.97 - 01.05	121	AML/ARJ/ALF/AGA/APS	
	2.4 quattro	02.97 - 01.05	121	AML/ARJ/ALF/AGA/APS	
	2.4	08.01 - 01.05	125	BDV	
	2.4 quattro	08.01 - 01.05	125	BDV	
	2.7 T quattro	08.01 - 01.05	184	BES/ARE	
	2.8	10.97 - 07.98	132	AGE	
	2.8 quattro	01.98 - 04.00	132	AGE	
	2.8	07.99 - 01.05	140	BBG/ATX	
	2.8	02.97 - 01.05	142	APR/ACK/ALG/AQD/AMX	
	2.8 quattro	02.97 - 01.05	142	APR/ACK/ALG/AQD/AMX	
	A6 Avant (4B, C5)	2.4	07.98 - 01.05	100	ARN/ASM/ALW
2.4		12.97 - 01.05	115	APC	
2.4 quattro		08.98 - 05.01	115	APC	
2.4		12.97 - 01.05	120	AMM/APZ/AJG	
2.4 quattro		12.97 - 01.05	120	APZ/AJG	
2.4		12.97 - 01.05	121	AML/ARJ/ALF/AGA/APS	
2.4 quattro		12.97 - 01.05	121	AML/ARJ/ALF/AGA/APS	
2.4		08.01 - 01.05	125	BDV	
2.4 quattro		08.01 - 01.05	125	BDV	
2.8		12.97 - 07.98	132	AGE	
2.8		07.99 - 01.05	140	ATX	
2.8		12.97 - 01.05	142	APR/ACK/ALG/AQD/AMX	
2.8 quattro		12.97 - 01.05	142	APR/ACK/ALG/AQD/AMX	
2.8		04.96 - 09.02	142	APR/ACK/ALG/AQD/AMX	
2.8 quattro		04.96 - 09.02	142	APR/ACK/AQD/AMX	
A8 (4D2, 4D8)	2.8	04.96 - 09.02	142	APR/ACK/ALG/AQD/AMX	
	2.8 quattro	04.96 - 09.02	142	APR/ACK/AQD/AMX	
	Coupe (89, 8B)	2.6	08.92 - 12.96	110	ABC
		2.6 quattro	08.92 - 12.96	110	ABC
2.8		09.91 - 12.96	128	AAH	
2.8 quattro		08.91 - 12.96	128	AAH	
Cabriolet (8G7, B4)	2.6	06.93 - 08.00	110	ABC	
	2.8	11.92 - 08.00	128	AAH	

SKODA				
Superb (3U4)	2.8V6	02.02 - 03.08	142	AMX
VW				
Passat (3B2)	2.8V6	08.96 - 11.00	142	APR/ACK/AQD
	2.8V6 Syncro	10.96 - 11.00	142	APR/ACK/ALG/AQD
Passat Variant (3B5)	2.8V6	06.97 - 11.00	142	APR/ACK/AQD
	2.8V6 Syncro	06.97 - 11.00	142	APR/ACK/ALG/AQD
Passat (3B3)	2.8	05.02 - 05.03	142	ATQ/AMX
	2.8 4motion	11.00 - 05.05	142	ATQ/AMX
Passat Variant (3B6)	2.8 4motion	11.00 - 05.05	142	ATQ/AMX

CL007

OEM-No.
SKODA 047 905 104 A
047 905 104 B

CL007				
SEAT				
Arosa (6H)	1.0	10.98 - 02.00	37	AHT
SKODA				
Fabia (6Y2)	1.0	12.99 - 08.02	37	AQV/ARV
	1.4	08.00 - 08.02	44	AZF/AZE
	1.4	08.99 - 03.08	50	AME/ATZ/AQW
Fabia Sedan (6Y3)	1.4	04.00 - 08.02	44	AZF/AZE
	1.4	07.01 - 12.07	50	AME/AQW
Fabia Combi (6Y5)	1.4	04.00 - 12.07	44	AZF/AZE
	1.4	04.00 - 12.07	50	AME/ATZ/AQW
Fabia Praktik	1.4	07.01 - 12.07	50	AME/ATZ/AQW
Octavia (1U2)	1.4	04.99 -	44	AMD
VW				
Lupo (6X1, 6E1)	1.0	10.98 - 05.00	37	AHT

CL008

OEM-No.
SKODA 047 905 104

SKODA

Felicia II (6U1)	1.3	01.98 - 06.01	40	AMG
	1.3	01.98 - 06.01	43	AMJ
	1.3	01.98 - 06.01	50	AMH
Felicia II Combi (6U5)	1.3	01.98 - 06.01	50	AMH

CL009

OEM-No.
VW 03D 905 115 A
03D 905 115 B
03D 905 115 C
03D 905 115 D
03D 905 115 E
03D 905 115 F
03D 905 115 G

1 coil per cylinder

SEAT

Ibiza IV (6L1)	1.2	06.07 - 05.08	44	BBM
SKODA				
Fabia (6Y2)	1.2	08.02 - 03.08	40	AWY/BMD
Fabia Sedan (6Y3)	1.2	07.01 - 12.07	40	AWY/BMD
Fabia Combi (6Y5)	1.2	07.01 - 12.07	40	AWY/BMD
Fabia Praktik	1.2	07.01 - 12.07	40	AWY/BMD
Fabia	1.2	12.06 -	44	BBM/CHFA
	1.2 12V	11.11 -	44	CGPB
Fabia Combi	1.2	10.07 -	44	BBM/CHFA
	1.2 12V	11.11 -	44	CGPB

CL009				
VW				
Fox (5Z1, 5Z3)	1.2	04.05 -	40	BMD/CHFB
	1.2	09.10 -	44	CHFA
Polo (9N_)	1.2	01.02 - 05.07	40	AWY/BMD
	1.2	05.07 -	44	BBM

CL010	
PIN	OEM-No.
	VW 06A 905 097
	06A 905 104



SKODA				
Octavia Combi (1U5)	2.0	04.99 -	85	AZJ
	2.0 4x4	05.01 -	85	AZJ

VW				
Bora (1J2)	2.0	10.98 - 05.05	85	AZJ/AZG
	2.0 4motion	04.00 - 05.05	85	AZJ
Bora Combi (1J6)	2.0	05.99 - 05.05	85	AZJ/AZG
	2.0 4motion	04.00 - 05.05	85	AZJ
Caddy III Combi	2.0 Ecofuel	04.06 -	80	BSX
Caddy III Van	2.0 Ecofuel	04.06 -	80	BSX
Golf IV (1J1)	2.0	07.98 - 06.05	85	AZJ/AZG
	2.0 4motion	10.00 - 06.05	85	AZJ
Golf IV Variant (1J5)	2.0	05.99 - 06.06	85	AZJ
	2.0 4motion	10.00 - 06.06	85	AZJ
	2.0 Bifuel	02.02 - 06.06	85	BEH
New Beetle (9C1, 1C1)	2.0	01.98 -	85	AZG
New Beetle Cabriolet	2.0	09.02 -	85	AZJ
Touran (1T1, 1T2, 1T3)	2.0 Ecofuel	02.06 - 05.09	80	BSX

CL011	
	OEM-No.
	VAG 06F 905 115
	06F 905 115 A
	06F 905 115 B
	06F 905 115 C
	06F 905 115 E
	06F 905 115 F
	07K 905 715
	07K 905 715 C
	07K 905 715 D
	07K 905 715 F



1 coil per cylinder

AUDI				
A3 (8P1)	1.8 TFSI	11.06 -	118	BZB/CDA/AYT
	1.8 TFSI quattro	07.08 -	118	CDA
	2.0 FSI	05.03 -	110	BLX/BLY/BMB/BLR/BVZ
	2.0 TFSI	09.04 -	147	BWA/AXX/CAWB
	2.0 TFSI quattro	09.04 -	147	BWA/AXX
	S3 2.0 quattro	11.06 -	195	BHZ/CDLA

CL011				
AUDI				
A3 Sportback (8PA)	1.8 TFSI	11.06 -	118	BZB/CDA/AYT
	1.8 TFSI quattro	07.08 -	118	CDA
	2.0 FSI	09.04 -	110	BLX/BLY/BMB/BLR/BVZ
	2.0 TFSI	09.04 -	147	BWA/AXX/CAWB
	2.0 TFSI quattro	09.04 -	147	BWA/AXX
	S3 2.0 quattro	07.08 -	188	CDLC
A3 Cabriolet	1.8 TFSI	04.08 -	118	BZB/CDA
	2.0 TFSI	04.08 -	147	CCZA/CAWB
A4 Cabriolet	2.0 TFSI 16V	01.06 - 03.09	147	BWE
	RS4 4.2 quattro	06.06 - 03.09	309	BNS
A4 (8EC, B7)	2.0 TFSI	10.06 - 06.08	125	BPJ/BYK
	2.0 TFSI	11.04 - 06.08	147	BGB/BWE
	2.0 TFSI quattro	11.04 - 06.08	147	BGB/BWE
	2.0 TFSI	06.05 - 06.08	162	BUL
	2.0 TFSI quattro	06.05 - 06.08	162	BUL
	RS4 4.2 quattro	09.05 - 06.08	309	BNS
A4 Avant (8ED, B7)	2.0 TFSI	10.06 - 06.08	125	BPJ/BYK
	2.0 TFSI	11.04 - 06.08	147	BGB/BWE
	2.0 TFSI quattro	11.04 - 06.08	147	BGB/BWE
	2.0 TFSI	06.05 - 06.08	162	BUL
	2.0 TFSI quattro	06.05 - 06.08	162	BUL
	RS4 4.2 quattro	09.05 - 06.08	309	BNS
A4 (8K2, B8)	1.8 TFSI	01.08 -	88	CABA/CDHA
	1.8 TFSI	11.07 -	118	CDHB/CCUA/CABB
	1.8 TFSI quattro	09.08 -	118	CDHB
	2.0 TFSI	06.08 -	132	CDNB/CAEA/CDZA
	2.0 TFSI fl.fuel	11.09 -	132	CFKA
	2.0 TFSI fl.fuel q.	11.09 -	132	CFKA
A4 Avant (8K5, B8)	2.0 TFSI	06.08 -	155	CDNC/CADA
	2.0 TFSI quattro	06.08 -	155	CAEB/CDNC
	1.8 TFSI	04.08 -	88	CDHA
	1.8 TFSI	04.08 -	118	CDHB/CCUA/CABB
	1.8 TFSI quattro	09.08 -	118	CDHB
	2.0 TFSI	06.08 -	132	CDNB/CDZA
A4 Allroad (8KH, B8)	2.0 TFSI fl. fuel	11.09 -	132	CFKA
	2.0 TFSI fl.fuel q.	11.09 -	132	CFKA
	2.0 TFSI	06.08 -	155	CDNC/CADA
	2.0 TFSI quattro	06.08 -	155	CDNC
	2.0 TFSI quattro	04.09 -	155	CDNC
	A5 (8T3)	1.8 TFSI	05.09 -	118
A5 Sportback (8TA)	1.8 TFSI	10.07 -	125	CABD
	2.0 TFSI	11.08 -	132	CDNB
	2.0 TFSI	06.08 -	155	CDNC
	2.0 TFSI quattro	06.08 -	155	CAEB/CDNC
A5 Cabriolet (8F7)	1.8 TFSI	11.09 -	118	CDHB
	2.0 TFSI	09.09 -	132	CDNB
	2.0 TFSI	09.09 -	155	CDNC
	2.0 TFSI quattro	09.09 -	155	CDNC
A6 (4F2, C6)	1.8 TFSI	09.09 -	118	CDHB/CAEA
	2.0 TFSI	03.09 -	132	CDNB/CAEA
	2.0 TFSI	03.09 -	155	CAEB/CDNC
	2.0 TFSI quattro	03.09 -	155	CAEB/CDNC
A6 (4G2, C7)	2.0 TFSI	06.05 - 03.11	125	BPJ
	2.0 TFSI	06.05 - 08.11	125	BPJ
	2.0 TFSI	05.11 -	132	CDNB
Q5 (8R)	2.0 TFSI quattro	08.09 -	132	CDNB
	2.0 TFSI quattro	11.08 -	155	CAEB/CDNC
	3.2 FSI quattro	11.08 -	199	CALB
TT (8J3)	1.8 TFSI	06.08 -	118	CDA

CL011				
AUDI				
TT (8J3)	2.0TFSI	08.06 - 06.10	147	BWA/BPY/CCTA
	2.0TFSI quattro	06.08 - 06.10	147	CCZA
	2.0TFSI	05.10 -	155	CESA
	2.0TFSI quattro	05.10 -	155	CETA/CESA
	2.0 quattro	05.08 -	195	CDMA/CDLA
	2.0TFSI quattro	05.08 -	200	CDLB
	2.5TFSI quattro	07.09 -	250	CEPA
	TT Roadster (8J9)	1.8TFSI	06.08 -	118
2.0TFSI		03.07 - 06.10	147	BWA/BPY/CCTA
2.0TFSI quattro		06.08 - 06.10	147	CCZA
2.0TFSI		05.10 -	155	CESA
2.0TFSI quattro		05.10 -	155	CETA/CESA
2.0 quattro		05.08 -	195	CDMA/CDLA
2.0TFSI quattro		05.08 -	200	CDLB
2.5TFSI quattro		07.09 -	250	CEPA
SEAT				
Alhambra (710)	2.0TSI	11.10 -	147	CCZA
Altea (5P1)	1.8TFSI	01.07 -	118	BZB/CDAA/BYT
	2.0FSI	05.04 - 03.09	110	BLR/BLY/BVZ/BVY
	2.0TFSI	04.06 - 05.09	147	BWA
Altea XL (5P5, 5P8)	1.8TFSI	01.07 -	118	BZB/CDAA/BYT
	2.0FSI	10.06 - 03.09	110	BVZ/BVY
	2.0TFSI 4x4	06.07 - 05.09	147	BWA
	2.0TFSI 4x4	05.09 -	155	CCZB
Exeo (3R2)	1.8TSI	05.10 -	118	CDHB
	2.0TFSI	03.09 -	147	BWE
	2.0TFSI	05.10 -	155	CDND
Exeo ST (3R5)	1.8TSI	05.10 -	118	CDHB
	2.0TFSI	06.09 -	147	BWE
	2.0TFSI	05.10 -	155	CDND
Leon (1P1)	1.8TSI	06.07 -	118	BZB/CDAA
	2.0FSI	07.05 - 05.10	110	BLR/BLY/BVZ/BVY
	2.0TFSI	09.05 - 05.06	136	BWA1
	2.0TFSI	05.05 - 03.09	147	BWA
	2.0TFSI	06.09 -	155	CCZB
	2.0TFSI	11.06 -	177	BWJ/CDLD
Toledo III (5P2)	2.0TFSI	09.09 -	195	CDLA
	1.8TFSI	01.07 - 05.09	118	BZB/CDAA/BYT
	2.0FSI	10.04 - 05.09	110	BLR/BLY/BVZ/BVY
2.0TFSI	11.05 - 05.09	147	BWA	
SKODA				
Octavia (1Z3)	1.8TSI	06.07 -	118	BZB/CDAA
	2.0FSI	11.04 -	110	BLY/BLR/BVZ/BVY
	2.0RS	10.05 -	147	BWA/CCZA
Octavia Combi (1Z5)	1.8TSI	06.07 -	118	BZB/CDAA
	1.8TSI 4x4	11.08 -	118	CDAA
	2.0FSI	11.04 -	110	BLY/BLR/BVZ/BVY
	2.0FSI 4x4	11.04 -	110	BVX/BLX
	2.0RS	10.05 -	147	BWA/CCZA
Superb (3T4)	1.8TSI	03.08 -	118	BZB/CDAA
	1.8TSI 4x4	11.08 -	118	CDAA
	2.0TSI	05.10 -	147	CCZA
Superb Combi (3T5)	1.8TSI	10.09 -	118	CDAA
	1.8TSI 4x4	10.09 -	118	CDAA
	2.0TSI	05.10 -	147	CCZA
Yeti (5L)	1.8TSI 4x4	11.09 -	112	CDAB
	1.8TSI 4x4	05.09 -	118	CDAA
VW				
Eos (1F7, 1F8)	2.0FSI	03.06 - 05.08	110	BVZ/BVY
	2.0TFSI	03.06 -	147	BWA

CL011				
VW				
Eos (1F7, 1F8)	2.0TSI	11.09 -	155	CCZB
GolfV (1K1)	2.0FSI	01.04 -	110	BVX/BLX/BLY/BLR/BVZ
	2.0FSI 4motion	08.04 -	110	BVX/BLX
	2.0GTI	10.04 -	147	BWA/AXX
	2.0GTI	09.06 -	169	BYD
GolfV Variant (1K5)	2.0	06.07 -	147	BWA/CAWB/CCTA
GolfVI (5K1)	1.8TSI	06.09 -	118	CDAA
	2.0TSI	04.09 -	155	CCZB
	2.0R 4motion	11.09 -	188	CDLC
	2.0R 4motion	11.09 -	199	CDLF
Golf Plus (5M1, 521)	2.0FSI	05.05 - 06.08	110	BLY/BLR/BVZ/BVY
Jetta III (1K2)	2.0FSI	08.05 - 10.10	110	BLY/BLR/BVZ/BVY
	2.0TFSI	10.05 - 10.10	147	BWA/BPY/CBFA/CCZA
	2.5FSI	01.06 - 10.10	110	BTX/BGP
Jetta IV (162)	2.0TSI	12.10 -	147	CBFA/CCZA/CCTA
	2.5FSI	04.10 -	125	CCCA/CBUA/CBTA
New Beetle (9C1, 1C1)	2.5	07.05 -	110	BPS/BPR
New Beetle Cabriolet	2.5	07.05 -	110	BPS/BPR
Passat (3C2)	1.8TSI	05.07 -	118	BZB/CDAA
	2.0FSI	03.05 -	110	BLY/BLR/BVZ/BVY
	2.0FSI 4motion	09.05 -	110	BVX/BLX/BLY
	2.0FSI	07.05 -	147	BWA/BPY/AXX/CBFA
Passat Variant (3C5)	1.8TSI	05.07 -	118	BZB/CDAA
	2.0FSI	08.05 -	110	BLY/BLR/BVZ/BVY
	2.0FSI 4motion	09.05 -	110	BVX/BLX/BLY
	2.0FSI	08.05 -	147	BWA/BPY/AXX/CBFA
Passat CC	1.8TSI	06.08 - 11.10	118	BZB/CDAA
	2.0TSI	06.08 -	147	CBFA/CCZA/CAWB/CCTA
Passat (362)	1.8TSI	08.10 -	118	CDAA
	2.0TSI	11.10 -	155	CCZB
Passat Variant (365)	1.8TSI	08.10 -	118	CDAA
	2.0TSI	11.10 -	155	CCZB
Scirocco (137)	2.0TSI	05.08 - 11.09	147	CAWB
	2.0TSI	11.09 - 05.11	155	CCZB
	2.0R	11.09 -	195	CDLA
Sharan (7N)	2.0TSI	12.10 -	147	CCZA
Tiguan (5N_)	2.0TFSI 4motion	09.07 -	125	CAWA/CCZC
	2.0TFSI 4motion	09.07 -	147	CCZA/CAWB/CCTA
Touran (1T1, 1T2, 1T3)	2.0FSI	10.03 -	110	BLX/BLY/BLR/AXW/BVZ

CL012				
DIN	OEM-No.			
	SKODA 115 914 010			
SKODA				
130 L, GL	1.3	02.85 - 10.91	45	742,13
130 GL	1.3	08.87 - 10.91	39	
130 GL (S135)	1.3	05.88 - 10.91	43	135/8
130 G, GL (S136)	1.3	05.88 - 10.91	46	




CL012				
SKODA				
Favorit 135 (781)	1.3	12.91 - 09.94	42	781.135
	1.3	12.91 - 09.94	43	781.135
	1.3	10.90 - 09.94	44	781.135
Favorit 135L (781)	1.3	05.89 - 09.94	43	781.135
Favorit 135 X,LX,GLX	1.3	01.90 - 09.94	40	781.135E
Favorit 136 (781)	1.3	10.90 - 09.94	45	136 L
Favorit Forman (785)	1.3	09.91 - 06.95	40	781.135E
	1.3	12.91 - 06.95	44	781.135
	1.3	08.91 - 06.95	45	OHC
Favorit Pick-up (787)	1.3	12.92 - 06.97	40	135B
	1.3	12.92 - 06.97	42	781.135
	1.3	12.92 - 06.97	50	136B
Rapid (130G)	1.3	08.87 - 10.91	39	
	1.3	03.85 - 08.88	45	742,13
Rapid (135G)	1.3 S	09.84 - 12.90	43	135/8

CL013				
PIN		OEM-No.		
		SKODA 047 905 115		



SKODA				
Felicia I (6U1)	1.3	10.94 - 03.98	40	135B/AMG
	1.3	10.94 - 03.98	43	AMJ/135 L
Felicia I Combi (6U5)	1.3 LX	08.95 - 03.98	40	135B/AMG
	1.3	08.95 - 03.98	43	AMJ/135 L
Felicia I Fun (797)	1.3	06.97 -	40	135B/135M
	1.3	10.95 - 04.02	43	AMJ

CL014				
		OEM-No.		
		VW 06B905105		
		06B905115		
		06B905115B		
		06B905115E		



1 coil per cylinder, number of connectors: 4, screw mounting

AUDI				
A3 (8L1)	1.8T	12.96 -	110	ARZ/AQA/AGU/AUM
	1.8T quattro	08.98 - 04.01	110	AQA
	1.8T	12.98 -	132	ARY/AUQ
	1.8T quattro	10.98 -	132	AJQ/ARY
A6 (4B, C5)	1.8	07.97 - 01.05	92	ANQ/ARH/AJP/AQE

CL014				
AUDI				
A6 (4B, C5)	3.7	03.99 - 01.05	191	AQG
	3.7 quattro	03.99 - 01.05	191	AQG
	4.2 quattro	11.98 - 01.05	220	AWN/ARS/ASG
	S6 4.2 quattro	09.99 - 01.05	250	AQJ/ANK
	RS6 4.2 quattro	07.02 - 01.05	331	BCY
A6 Avant (4B, C5)	1.8	12.97 - 01.05	92	ARH/AJP/AQE
	3.7	03.99 - 01.05	191	AQG
	3.7 quattro	03.99 - 01.05	191	AQG
	4.2 quattro	11.98 - 01.05	220	AWN/ARS/ASG
	S6 4.2 quattro	09.99 - 01.05	250	AQJ/ANK
	RS6 4.2 quattro	07.02 - 01.05	331	BCY
A8 (4D2, 4D8)	3.7	11.98 - 09.02	191	AKC/AQG
	3.7 quattro	11.98 - 09.02	191	AKC/AQG
	4.2 quattro	02.99 - 04.00	175	ARU
	4.2 quattro	11.98 - 09.02	228	AUW/AQF/AUX
TT (8N3)	S8 4.2 quattro	06.99 - 09.02	265	AQH/AVP
	1.8T	09.02 - 06.06	110	AUM
	1.8T	10.98 - 06.06	132	AJQ/APP
	1.8T quattro	10.98 - 06.06	132	AJQ
TT Roadster (8N9)	1.8T quattro	10.98 - 06.06	165	BAM/APX
	1.8T	10.99 - 06.06	132	AJQ/APP
VW				
Sharan (7M8, 7M9, 7M6)	1.8T 20V	04.00 - 03.10	110	AWC


CL015				
		OEM-No.		
		VAG 06C 905 115 E	06D905115K	
		06D905115C	06E 905 115	
		06D905115D	06E 905 115 A	
		06D905115F	06E 905 115 B	
		06D905115G	06E 905 115 C	
			06E 905 115 D	
			06E 905 115 E	



1 coil per cylinder

AUDI				
A4 (8E2, B6)	2.0	11.00 - 12.04	96	ALT
	2.0 FSI	07.02 - 12.04	110	AWA
	3.0	11.00 - 12.04	162	ASN/AVK
	3.0 quattro	11.00 - 12.04	162	ASN/AVK
A4 Avant (8E5, B6)	2.0	09.01 - 12.04	96	ALT
	2.0 FSI	07.02 - 12.04	110	AWA
	3.0	09.01 - 12.04	162	ASN
	3.0 quattro	09.01 - 12.04	162	ASN/AVK
A4 Cabriolet	3.0	04.02 - 12.05	162	ASN
A4 (8EC, B7)	3.0 quattro	05.03 - 12.05	162	ASN
	3.2 FSI	01.05 - 06.08	188	AUK
A4 Avant (8ED, B7)	3.2 FSI quattro	01.05 - 06.08	188	AUK/BKH
	3.2 FSI	01.05 - 06.08	188	AUK
A6 (4B, C5)	3.2 FSI quattro	01.05 - 06.08	188	AUK
	2.0	08.01 - 01.05	96	ALT
	3.0	08.01 - 01.05	162	ASN
A6 Avant (4B, C5)	3.0 quattro	08.01 - 01.05	162	ASN
	2.0	08.01 - 01.05	96	ALT
	3.0	08.01 - 01.05	162	ASN

CL015				
AUDI				
A6 Avant (4B, C5)	3.0 quattro	08.01 - 01.05	162	ASN
A6 (4F2, C6)	2.4	05.04 - 10.08	130	BDW
	2.4 quattro	01.05 - 10.08	130	BDW
	2.8 FSI	10.08 - 03.11	140	CCDA
	2.8 FSI quattro	10.08 - 03.11	140	CCDA
	2.8 FSI	11.06 - 10.08	154	BDX
	2.8 FSI quattro	06.07 - 10.08	154	BDX
	2.8 FSI	10.08 - 03.11	162	CCEA
	2.8 FSI quattro	10.08 - 03.11	162	CCEA
	3.0 TFSI quattro	10.08 - 03.11	213	CAJA
	3.2 FSI	05.04 - 05.09	188	AUK/BKH
	3.2 FSI quattro	05.04 - 10.08	188	AUK/BKH
	4.2 FSI quattro	06.06 - 03.11	257	BVJ
	RS6 5.0 quattro	09.08 - 08.10	426	BUH
	S6 5.2 quattro	03.06 - 03.11	320	BXA
A6 Avant (4F5, C6)	2.4	03.05 - 10.08	130	BDW
	2.4 quattro	03.05 - 10.08	130	BDW
	2.8 FSI	10.08 - 08.11	140	CCDA
	2.8 FSI quattro	10.08 - 08.11	140	CCDA
	2.8 FSI	11.06 - 10.08	154	BDX
	2.8 FSI quattro	06.07 - 10.08	154	BDX
	2.8 FSI	10.08 - 08.11	162	CCEA
	2.8 FSI quattro	10.08 - 08.11	162	CCEA
	3.0 TFSI quattro	10.08 - 08.11	213	CAJA
	3.2 FSI	03.05 - 10.08	188	AUK
	3.2 FSI quattro	03.05 - 10.08	188	AUK
	4.2 FSI quattro	06.06 - 08.11	257	BVJ
	RS6 5.0 quattro	04.08 - 08.10	426	BUH
	S6 5.2 quattro	03.06 - 08.11	320	BXA
A6 Allroad (4FH, C6)	3.0 TFSI quattro	10.08 -	213	CAJA
	3.2 FSI quattro	05.06 -	188	AUK
	4.2 FSI quattro	05.06 -	257	BVJ
A6 (4G2, C7)	2.8 FSI	03.11 -	150	CHVA
	2.8 FSI quattro	03.11 -	150	CHVA
	3.0 TFSI quattro	11.10 -	220	CGWB
	3.0 TFSI quattro	03.11 -	228	CGWD/CGXB/CTUA
A7 Sportback (4GA)	2.8 FSI	02.11 -	150	CHVA
	2.8 FSI quattro	10.10 -	150	CHVA/CNYA
	3.0 TFSI quattro	10.10 -	220	CGWB
	3.0 TFSI quattro	01.11 -	228	CTTA/CGWD/CGXB/CTUA
A8 (4E_)	2.8 FSI	08.07 - 07.10	154	BDX
	3.0	08.03 - 07.10	162	ASN
	3.2 FSI	06.05 - 07.10	191	BPK
	3.2 FSI quattro	06.05 - 07.10	191	BPK
	4.2 FSI quattro	06.06 - 07.10	257	BVJ
	S8 5.2 quattro	06.06 - 07.10	331	BSM
A8 (4H_)	3.0 TFSI quattro	07.10 -	213	CGWA/CGXA
	3.0 TFSI quattro	06.10 -	245	CMDA/CTUB/CGXC
	4.2 FSI quattro	11.09 -	273	CDRA
Q7 (4L)	3.0 TFSI	05.10 -	200	CJWC/CJTC
	3.0 TFSI	05.10 -	245	CJTB/CTWA/CNAA/CJWB
	4.2 FSI	03.06 - 05.10	257	BAR
R8	4.2 FSI quattro	04.07 - 09.10	309	BYH
	4.2 FSI quattro	07.10 -	316	CNDA
	5.2 FSI quattro	04.09 - 05.12	386	BUJ
R8 Spyder	4.2 FSI quattro	09.10 -	316	CNDA
	5.2 FSI quattro	02.10 - 05.12	386	BUJ
VW				
Touareg (7P5)	3.0 TSI Hybrid	04.10 -	245	CGFA/CGEA

CL016				
OEM-No.				
		PORSCHE 955 602 101 05 VW 022 905 715		
		022 905 100 B		
		022 905 100 E		
		022 905 100 H		
		022 905 100 L		
		022 905 100 P		
		022 905 100 S		
		022 905 100 T		
		022 905 715 A		
		022 905 715 B		
				
1 coil per cylinder				
AUDI				
A3 (8P1)	3.2 V6 quattro	07.03 -	184	BDB/BMJ/BUB
A3 Sportback (8PA)	3.2 V6 quattro	09.04 -	184	BMJ/BUB
Q7 (4L)	3.6 FSI	08.06 - 05.10	206	BHK
TT (8N3)	3.2 VR6 quattro	07.03 - 06.06	184	BPF/BHE
TT (8J3)	3.2 V6 quattro	08.06 - 06.10	184	BUB
TT Roadster (8N9)	3.2 VR6 quattro	07.03 - 06.06	184	BPF/BHE
TT Roadster (8J9)	3.2 V6 quattro	03.07 - 06.10	184	BUB
PORSCHE				
Cayenne (955)	3.2	10.03 -	184	MO2.2Y
SKODA				
Superb (3T4)	3.6 V6 4x4	11.08 -	191	CDVA
Superb Combi (3T5)	3.6 V6 4x4	10.09 -	191	CDVA
VW				
Eos (1F7, 1F8)	3.2 V6	06.06 -	184	CBRA/BUB
	3.6 V6	05.09 -	191	CDVA
Golf IV (1J1)	3.2 R32 4motion	09.02 - 06.05	177	BFH/BML
Golf V (1K1)	3.2 R32 4motion	11.05 -	184	CBR/CBRA/BUB
Passat (3C2)	3.2 FSI 4motion	11.05 -	184	AXZ
Passat Variant (3C5)	3.6 R36 4motion	04.07 -	220	BWS
Phaeton (3D2)	3.2 V6	04.02 -	177	AYT/BKL
	3.2 V6 4motion	02.04 -	177	BRK/BKL
Touareg (7LA, 7L6, 7L7)	3.2 V6	10.02 - 11.06	162	AZZ/BMV/BKJ/BAA/BMX
	3.2 V6	11.04 - 11.06	177	
	3.6 V6 FSI	10.05 - 05.10	206	BHL/BHK
Multivan V	3.2 V6	02.04 - 06.04	170	BDL
	3.2 V6	02.04 - 11.09	173	BKK/CFLA
	3.2 V6 4motion	07.04 - 11.09	173	BKK/CFLA
Transporter V Bus	3.2 V6	02.04 - 06.04	170	BDL
	3.2 V6	02.04 - 11.09	173	BKK/CFLA
	3.2 V6 4motion	11.03 - 11.09	173	BKK/CFLA
Transporter V Flatbed	3.2 V6	02.04 - 11.09	170	BDL
	3.2 V6	08.03 - 05.06	173	BKK
Transporter V Van	3.2 V6	04.03 - 06.04	170	BDL
	3.2 V6	02.04 - 11.09	173	BKK/CFLA
	3.2 4motion	11.03 - 11.09	173	BKK/CFLA

CL017



OEM-No.
VAG 077905115AA
077905115G
077905115J
077905115M
077905115R
077905115S

1 coil per cylinder

AUDI

Allroad (4BH, C5)	4.2V8 quattro	07.02 - 08.05	220	BAS
-------------------	---------------	---------------	-----	-----

VW

Phaeton (3D2)	4.2V8 4motion	05.03 -	246	BGJ/BGH
Touareg (7LA, 7L6, 7L7)	4.2V8	12.02 - 11.06	228	AXQ

CL018

PIN



OEM-No.
VW 191 905 115 A
211 905 115 D
811 905 115

number of connectors: 2

VW

Corrado (53I)	1.8 16V	04.89 - 07.92	100	KR
Golf I Cabriolet (155)	1.8	08.83 - 04.93	70	JH
Golf II (19E, 1G1)	1.0	08.85 - 10.91	37	HZ
	1.3 cat	06.86 - 12.92	40	NZ/2G/MH
	1.6	10.86 - 12.92	51	PN
	1.6	02.86 - 10.91	53	RF
	1.6	08.83 - 07.92	55	HM/ABN/EZ
	1.8	08.86 - 01.90	62	RH
	1.8 Syncro	02.86 - 07.91	66	GX/GU
	1.8 Syncro	08.88 - 07.91	72	1P
	1.8 GTI cat	01.87 - 10.91	79	PF
	1.8 GTI	08.83 - 10.91	82	EV/GZ/PB/DX
Jetta II (19E, 1G2)	1.8 GTI 16V	02.86 - 10.91	95	PL
	1.8 GTI 16V	02.86 - 06.90	102	KR
	1.3 cat	06.87 - 12.91	40	NZ/2G/MH
	1.8	08.86 - 01.90	62	RH
	1.8	08.84 - 10.91	66	GX/GU/HV
Passat (32B)	1.8	08.85 - 10.87	79	RD
	1.8 16V	08.86 - 10.91	95	PL
	1.6	08.80 - 03.88	55	DT
Passat Sedan (32B)	1.6	01.85 - 03.88	55	DT
	1.8	01.85 - 03.88	66	DS/JN
Passat Variant (32B)	1.6	01.85 - 03.88	66	DS/JN
	1.6	08.80 - 03.88	55	WV/YN
	1.8 Syncro	01.86 - 03.88	66	DS/JN
	2.0 Syncro	05.84 - 03.88	85	JS

CL018

VW

Passat (3A2, 35I)	1.6	02.88 - 12.88	55	ABN/EZ
	1.8	04.88 - 07.92	82	PB
	1.8 16V	04.88 - 12.89	100	KR
Passat Variant (3A5, 35I)	1.6	04.88 - 12.88	55	EZ
	1.8	04.88 - 07.92	82	PB
	1.8 16V	04.88 - 12.89	100	KR
Polo (86C, 80)	1.3 cat	07.87 - 10.90	40	NZ/2G/MH/AAV
	1.3	09.82 - 09.89	55	GK
Scirocco (53B)	1.6	01.83 - 12.89	55	EW

CL019

PIN



OEM-No.
VW 701 905 104
701 905 104 A
867 905 105 A

number of connectors: 6

AUDI

80 Avant (8C, B4)	2.0 E	07.92 - 01.96	85	ABK
-------------------	-------	---------------	----	-----

SEAT

Cordoba (6K2/C2)	1.8 i 16V	10.93 - 08.96	95	ADL
Ibiza II (6K1)	1.8 i	03.93 - 08.99	66	ACC/ADZ/ABS
Toledo I (1L)	2.0 i	05.91 - 03.99	85	2E/AGG
	2.0 i 16V	11.93 - 03.99	110	ABF

VW

Golf II (19E, 1G1)	1.3 cat	06.86 - 12.92	40	NZ/2G/MH
Passat (3A2, 35I)	2.0	02.90 - 08.96	85	ADY/2E/AGG
	2.0 Syncro	10.90 - 08.96	85	ADY/2E/AGG
Passat Variant (3A5, 35I)	2.0	02.90 - 05.97	85	ADY/2E/AGG
	2.0 Syncro	10.90 - 05.97	85	ADY/2E/AGG
Polo (86C, 80)	1.0	08.85 - 01.92	33	HZ
	1.3 cat	10.90 - 09.94	40	NZ/2G
Polo Classic (86C, 80)	1.0	01.85 - 09.94	33	AAU/HZ/AAK
	1.3 cat	07.87 - 09.94	40	NZ/MH
Polo Coupe (86C, 80)	1.0	08.85 - 01.92	33	HZ
	1.0 cat	08.89 - 09.94	33	AAU/AAK/ACM
	1.3 cat	07.87 - 08.94	40	NZ/2G/MH/AAV
Polo Van (86CF)	1.3	08.92 - 07.94	40	AAV
Vento (1H2)	1.6	09.92 - 09.98	55	ABU/AEA/AEE
Transporter IV Bus	1.8	12.90 - 07.92	49	PD
	2.0	09.90 - 04.03	62	AAC
Transporter IV Flatbed	2.0	07.90 - 04.03	62	AAC
Transporter IV Van	2.0	07.90 - 04.03	62	AAC

CL020

PIN	OEM-No.
	VW 071 905 106



SEAT

Toledo II (1M2)	2.3 V5	04.99 - 05.01	110	AGZ
-----------------	--------	---------------	-----	-----

VW

Bora (1J2)	2.3 V5	10.98 - 10.00	110	AGZ
	2.3 V5 4motion	12.98 - 10.00	110	AGZ
	2.3 V5	10.00 - 05.05	125	AQN
	2.3 V5 4motion	10.00 - 05.05	125	AQN
Bora Combi (1J6)	2.3 V5	05.99 - 10.00	110	AGZ
	2.3 V5 4motion	05.99 - 10.00	110	AGZ
	2.3 V5	10.00 - 05.05	125	AQN
	2.3 V5 4motion	10.00 - 05.05	125	AQN
Golf IV (1J1)	2.3 V5	08.97 - 10.00	110	AGZ
	2.3 V5 4motion	12.98 - 10.00	110	AGZ
	2.3 V5	10.00 - 06.05	125	AQN
	2.3 V5 4motion	10.00 - 06.05	125	AQN
Golf IV Variant (1J5)	2.3 V5	05.99 - 06.06	110	AGZ
	2.3 V5 4motion	05.99 - 06.06	110	AGZ
	2.3 V5	10.00 - 06.06	125	AQN
	2.3 V5 4motion	10.00 - 06.06	125	AQN
Passat (3B2)	2.3 VR5	10.96 - 11.00	110	AGZ
	2.3 VR5 Syncro	10.97 - 11.00	110	AGZ
Passat Variant (3B5)	2.3 VR5	06.97 - 11.00	110	AGZ
	2.3 VR5 Syncro	10.97 - 11.00	110	AGZ

CL021

PIN	OEM-No.
	FORD 1008464
	95VW 12029 AA
	MERCEDES 003 158 50 01
	A 003 158 50 01
	VW 021 905 106
	021 905 106 A
	310 880 01



FORD

Galaxy (WGR)	2.8 iV6	11.95 - 04.00	128	AAA/AMY
	2.8 iV6 4x4	04.96 - 04.00	128	AAA/AMY

MERCEDES

V 280 (638/2)	2.8	08.97 - 07.03	128	M 104.900
---------------	-----	---------------	-----	-----------

VW

Golf III (1H1)	2.8 VR6	01.92 - 08.97	128	AAA
	2.9 VR6 Syncro	10.94 - 08.97	140	ABV

CL021

VW

Golf III Variant (1H5)	2.9 VR6	10.94 - 04.99	140	ABV
	2.9 VR6 Syncro	10.94 - 04.99	140	ABV
Passat (3A2, 35I)	2.8 VR6	06.91 - 08.96	128	AAA
Passat Variant (3A5, 35I)	2.8 VR6	06.91 - 05.97	128	AAA
	2.9 VR6 Syncro	01.94 - 05.97	135	ABV
Sharan (7M8, 7M9, 7M6)	2.8 VR6	09.95 - 04.00	128	AAA/AMY
	2.8 VR6 Syncro	11.96 - 04.00	128	AAA/AMY
Vento (1H2)	2.8 VR6	01.92 - 09.98	128	AAA
Transporter IV Bus	2.8 VR 6	11.95 - 04.00	103	AES
	2.8 Syncro	01.96 - 04.96	103	AES
	2.8 V6	04.00 - 04.03	150	AMV

CL022

	OEM-No.
	VW 07C905115J
	07C905715
	07C905715C
	07C905715D
	07C905715E
	07C905715F
	07C905715H



1 coil per cylinder

AUDI

A8 (4E_)	6.0 W12 quattro	12.03 - 07.10	331	BTE/BSB/BHT
----------	-----------------	---------------	-----	-------------

VW

Passat (3B3)	4.0 W8 4motion	09.01 - 05.05	202	BDP/BDN
Passat Variant (3B6)	4.0 W8 4motion	09.01 - 05.05	202	BDP/BDN
Phaeton (3D2)	6.0 W12 4motion	04.02 -	309	BAN
	6.0 W12 4motion	05.05 -	331	BTT/BRN
Touareg (7LA, 7L6, 7L7)	6.0 W12	08.04 - 05.10	331	CFRA/BJN

CL023

	OEM-No.
	FORD 1331283
	1362718
	YM21 12029 AC
	VW 022905100A
	022905100D
	022905100G
	022905100K
	022905100N
	022905715C



1 coil per cylinder

FORD

Galaxy (WGR)	2.8 V6	04.00 - 05.06	150	AYL
--------------	--------	---------------	-----	-----

SEAT

Alhambra (7V8, 7V9)	2.8 V6	06.00 - 03.10	150	AYL/AUE
	2.8 V6 4motion	06.00 - 03.10	150	AYL/AUE
Toledo II (1M2)	2.3 V5 20V	05.01 - 05.06	125	AQN

VW

Bora (1J2)	2.3 V5	10.00 - 05.05	125	AQN
	2.3 V5 4motion	10.00 - 05.05	125	AQN
	2.8 V6 4motion	03.99 - 05.05	150	AQP/AUE/BDE
Bora Combi (1J6)	2.3 V5	10.00 - 05.05	125	AQN
	2.3 V5 4motion	10.00 - 05.05	125	AQN

CL023

VW

Bora Combi (1J6)	2.8 V6 4motion	05.99 - 05.05	150	AQP/AUE/BDE
	2.8 VR6	03.00 - 05.00	150	AUE
Golf IV (1J1)	2.3 V5	10.00 - 06.05	125	AQN
	2.3 V5 4motion	10.00 - 06.05	125	AQN
	2.8 V6 4motion	03.99 - 06.05	150	AQP/AUE/BDE
Golf IV Variant (1J5)	2.3 V5	10.00 - 06.06	125	AQN
	2.3 V5 4motion	10.00 - 06.06	125	AQN
	2.8 V6 4motion	05.99 - 06.06	150	AQP/AUE/BDE
New Beetle (9C1, 1C1)	2.3 V5	10.00 -	125	AQN
Sharan (7M8, 7M9, 7M6)	2.8 V6 24V	04.00 - 03.10	150	AYL
	2.8 24V 4motion	04.00 - 03.10	150	AYL

CL024

OEM-No.

VAG 066905100
066905100B
066905100C
066905100D
066905100G



1 coil per cylinder

VW

Passat (3B3)	2.3 V5	11.00 - 05.05	125	AZX
	2.3 V5 4motion	11.00 - 05.05	125	AZX
Passat Variant (3B6)	2.3 VR5	11.00 - 05.05	125	AZX
	2.3 VR5 4motion	11.00 - 05.05	125	AZX

CL026

PIN

OEM-No.

AUDI 078905101C



number of connectors: 6

AUDI

A4 (8D2, B5)	2.6	01.95 - 11.00	110	ABC
	2.6 quattro	01.95 - 11.00	110	ABC
	2.8	09.95 - 07.97	128	AAH
	2.8 quattro	01.95 - 07.97	128	AAH
A4 Avant (8D5, B5)	2.6	02.96 - 09.01	110	ABC
	2.6 quattro	01.96 - 09.01	110	ABC
	2.8	03.96 - 09.96	128	AAH
	2.8 quattro	01.96 - 09.96	128	AAH
A6 (4A, C4)	2.8	06.94 - 10.97	128	AEJ/AAH/AFC
	2.8 quattro	06.94 - 10.97	128	AEJ/AAH
A6 Avant (4A, C4)	2.8	06.94 - 12.97	128	AEJ/AAH
	2.8 quattro	06.94 - 12.97	128	AEJ/AAH
A8 (4D2, 4D8)	2.8	07.95 - 03.96	120	AEJ

CL026

AUDI

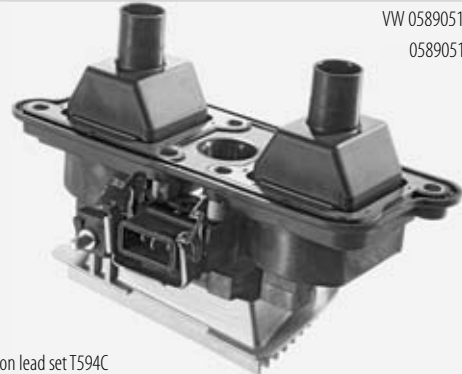
A8 (4D2, 4D8)	2.8 quattro	07.95 - 03.96	120	AEJ
	2.8	03.94 - 03.96	128	AAH
	2.8 quattro	03.94 - 03.96	128	AAH

CL028

PIN

OEM-No.

VW 058905101A
058905105A



1 coil and ignition lead set T594C

AUDI

A4 (8D2, B5)	1.8	01.95 - 11.00	92	AVV/ADR/APT/ARG
	1.8 quattro	01.95 - 11.00	92	ADR/APT/ARG
A4 Avant (8D5, B5)	1.8	02.96 - 09.01	92	AVV/ADR/APT/ARG
	1.8 quattro	01.96 - 09.01	92	ADR/APT/ARG
A6 (4A, C4)	1.8	12.95 - 10.97	92	ADR
	1.8 quattro	12.95 - 10.97	92	ADR
A6 Avant (4A, C4)	1.8	12.95 - 12.97	92	ADR
	1.8 quattro	12.95 - 12.97	92	ADR
A6 Avant (4B, C5)	1.8 T quattro	12.97 - 01.05	110	ARK/AEB/ANB/APU
Cabriolet (8G7, B4)	1.8	01.97 - 08.00	92	ADR

VW

Passat (3B2)	1.8	10.96 - 11.00	92	ADR/APT/ARG
	1.8 Syncro	10.96 - 11.00	92	ADR/APT/ARG
	2.8 Syncro	05.97 - 08.00	143	
Passat Variant (3B5)	1.8	06.97 - 11.00	92	ADR/APT/ARG
	1.8 Syncro	06.97 - 11.00	92	ADR/APT/ARG

CL029

OEM-No.

VW 077905115E
077905115F
077905115H
077905115K
077905115P
077905115Q
077905115T



1 coil per cylinder

AUDI

A4 (8E2, B6)	S4 4.2 quattro	03.03 - 12.04	253	BBK
A4 Avant (8E5, B6)	S4 4.2 quattro	03.03 - 12.04	253	BBK
A4 Cabriolet	S4 4.2 quattro	03.04 - 03.09	253	BBK
A4 (8EC, B7)	S4 4.2 quattro	11.04 - 06.08	253	BHF/BBK
A4 Avant (8ED, B7)	S4 4.2 quattro	11.04 - 06.08	253	BBK
A6 (4F2, C6)	4.2 quattro	05.04 - 05.06	246	BAT
A6 Avant (4F5, C6)	4.2 quattro	03.05 - 05.06	246	BAT
A8 (4E_)	3.7 quattro	10.02 - 07.10	206	BFL
	4.2 quattro	10.02 - 07.10	246	BFM

CL030				
PIN	OEM-No.			
	VAG 021905106B			
	021905106C			

SEAT				
Leon (1M1)	2.8 Cupra 4	02.01 - 06.06	150	AUE
VW				
Bora (1J2)	2.8 V6 4motion	03.99 - 04.01	150	AQP/AUE/BDE
Bora Combi (1J6)	2.8 V6 4motion	05.99 - 04.01	150	AQP/AUE/BDE
Golf IV (1J1)	2.8 V6 4motion	03.99 - 04.01	150	AQP/AUE/BDE
Golf IV Variant (1J5)	2.8 V6 4motion	05.99 - 04.01	150	AQP/AUE/BDE
New Beetle (9C1, 1C1)	3.2 RSI	04.00 - 05.01	165	AXJ

CL100			
	OEM-No.		
	NISSAN 22448-00QAA	RENAULT 215952732	
	22448-00QAC	2526180A	
	22448-00QAE	77 00 107 177	
	22448-00QAH	77 00 113 357	
	22448-6N011	77 00 113 357 A	
	OPEL 4413223	77 00 875 000	
	91159996	77 01 041 608	
	44 08 389	82 00 154 186	
	44 132 33	82 00 154 186 A	
		82 00 208 611	
		82 00 380 267	
		82 00 405 098	
		82 00 568 671	

1 coil per cylinder

DACIA				
Duster	1.6 16V	04.10 -	77	K4M 696/K4M 690
	1.6 16V 4x4	06.10 -	77	K4M 606
	1.6 16V LPG	04.11 -	77	K4M 696
Logan (LS_)	1.6 16V	02.06 -	77	K4M 696/K4M 690
Logan MCV (KS_)	1.6 16V	02.07 -	77	K4M 696/K4M 690
	1.6 16V Flexifuel	11.09 -	77	K4M 694/K4M 690
NISSAN				
Kubistar (X76)	1.6 16V	08.03 -	70	K4M 752
Primastar Bus (X83)	2.0	03.01 -	88	F4R 722/F4R 720
Primastar Van (X83)	2.0	02.03 -	88	F4R 720
OPEL				
Vivaro Combi (J7)	2.0 Ecotec	08.06 -	86	F4R 820
	2.0 16V	08.01 -	88	F4R 720
Vivaro Van (F7)	2.0 Ecotec	08.06 -	86	F4R 820
	2.0 16V	08.01 -	88	F4R 720
Vivaro Flatbed (E7)	2.0 Ecotec	08.06 -	86	F4R 820
	2.0 16V	08.06 -	88	F4R 720

CL100				
RENAULT				
Avantime (DE0_)	2.0 16V Turbo	11.01 - 05.03	120	F4R 760/F4R 761
Clio II	1.4 16V	10.99 - 08.00	70	K4J 712/K4J 713
	1.4 16V	08.00 -	72	K4J 712/- 711/- 710/- 713
	1.6 16V	09.98 -	79	K4M 748/- 744/- 708/- 745
Clio III (BR0/1, CR0/1)	1.4 16V	06.05 -	72	K4J 780
	1.6 16V	06.05 -	65	K4M 804
	1.6 16V	06.05 -	82	K4M 800/K4M 801
	1.6 16V GT	06.09 -	94	K4M 862
	2.0 16V Sport	02.06 -	145	F4R 830
	2.0 16V Sport	09.08 -	148	F4R 830
Clio Grandtour (KR0/1_)	1.4 16V	02.10 -	72	K4J 780
	1.6 16V	02.08 -	82	K4M 800/K4M 801
	1.6 16V	11.08 -	94	K4M 862
Espace III (JE0_)	2.0	09.01 - 10.02	102	F4R 701/F4R 700
	2.0 16V	10.98 - 10.02	103	F4R 701/F4R 700
Espace IV (JK0/1_)	2.0	11.02 -	100	F4R 790/F4R 792
	2.0 Turbo	11.02 -	120	F4R 796/-795/-794/- 797
	2.0	04.05 -	125	F4R 897/-796/-896/- 797
Fluence (L30_)	1.6 16V	02.10 -	81	K4M 839/K4M 838
Grand Scénic II (JM0/1_)	1.6	04.04 -	83	K4M 761/K4M 782
	2.0	04.04 -	99	F4R 771/F4R 770
	2.0	04.04 -	120	F4R 776
Grand Scénic III (JZ0/1_)	1.6 16V	02.09 -	81	K4M 9 766
Kangoo (KC0/1_)	1.6 16V	06.01 -	70	K4M 750/K4M 753/K4M 752
	1.6 16V 4x4	10.01 -	70	K4M 750/K4M 753/K4M 752
Kangoo (KW0/1_)	1.6 16V	02.08 -	78	K4M 830
	1.6 16V Hi-Flex	02.08 -	78	K4M 830
Kangoo BE BOP (KW0/1_)	1.6	02.09 -	78	K4M 830
Kangoo Express (FC0/1_)	1.6 16V	10.01 -	70	K4M 752
Kangoo Express (FW0/1_)	1.6 16V 4x4	10.01 -	70	K4M 750/K4M 753/K4M 752
	1.6 16V LPG	02.08 -	72	K4M 834
Laguna I (B56_, 556_)	1.6 16V	02.08 -	78	K4M 830
	1.6 16V	11.97 - 03.01	79	K4M 720/K4M 724
	1.8 16V	04.98 - 03.01	88	F4P 760
Laguna Grandtour (K56_)	2.0 16V	09.99 - 03.01	103	F4R 780
	1.6 16V	11.97 - 03.01	79	K4M 720/K4M 724
	1.8 16V	04.98 - 03.01	88	F4P 760
Laguna II (BG0/1_)	2.0 16V	09.99 - 03.01	103	F4R 780
	1.6 16V	03.01 -	79	K4M 711/K4M 714/K4M 710
	1.6 16V	02.05 -	82	K4M 716
Laguna III (BT0/1)	1.8 16V	03.01 -	85	F4P 774/-770/-773/-771
	1.8 16V	03.01 -	86	F4P 770
	1.8 16V	03.01 -	88	F4P 770/F4P 773
	1.8 16V	03.01 -	89	F4P 774/F4P 770
	2.0 16V	08.02 -	99	F4R 713/-715/-712/- 714
	2.0 16V Turbo	01.03 -	120	F4R 764/-787/- 786/- 765
	2.0 16V	01.05 -	125	F4R 787/F4R 786/F4R 784
	2.0 16V	01.05 -	150	F4R 887/F4R 886
Laguna II Grandtour	1.6 16V	03.01 -	79	K4M 711/K4M 714/K4M 710
	1.6 16V	02.05 -	82	K4M 716
	1.8 16V	03.01 -	85	F4P 774/-770/-773/-771
Laguna III (BT0/1)	1.8 16V	03.01 -	86	F4P 770
	1.8 16V	03.01 -	88	F4P 770/F4P 773
	1.8 16V	03.01 -	89	F4P 774/F4P 770
	2.0 16V	08.02 -	99	F4R 713/-715/-712/- 714
	2.0 16V Turbo	01.03 -	120	F4R 764/-787/- 786/- 765
	2.0 16V	01.05 -	125	F4R 787/F4R 786/F4R 784
	2.0 16V	01.05 -	150	F4R 887/F4R 886
	2.0 16V Turbo	10.07 -	125	F4R 811

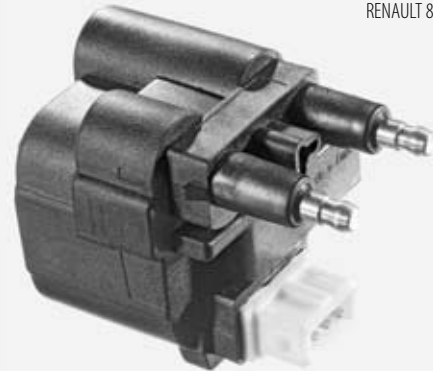
CL100



CL100				
RENAULT				
Laguna III (BT0/1)	2.0 GT	03.08 -	150	F4R 800
Laguna III Grandtour	1.6 16V	10.07 -	81	K4M 824
	2.0 16V Turbo	10.07 -	125	F4R 811
	2.0 GT	03.08 -	150	F4R 800
Laguna Coupe (DT0/1)	2.0 16V Turbo	09.08 -	125	F4Rt 811/F4R 811
	2.0 GT	03.08 -	150	F4Rt 800
Logan (LS_)	1.6	04.07 -	77	K4M 690
Logan Combi (KS_)	1.6	04.07 -	77	K4M 697
Megane I (BA0/1_)	1.4 16V	03.99 -	70	K4J 714/K4J 750
	1.6 16V	03.99 -	79	K4M 704/-700/-708/-701
	1.8 16V	01.01 -	85	F4P 722/F4P 720
Megane I Cabriolet	1.4 16V	03.99 -	70	K4J 714/K4J 750
	1.6 16V	03.99 -	79	K4M 700/K4M 708/K4M 701
	2.0 16V	01.02 -	102	F4R 746/F4R 770
Megane I Classic (LA0/1_)	1.4 16V	03.99 -	70	K4J 714/K4J 750
	1.6 16V	03.99 -	79	K4M 700/K4M 708/K4M 701
	1.8 16V	01.01 -	85	F4P 722/F4P 720
Megane I Coach (DA0/1_)	1.4 16V	03.99 - 08.03	70	K4J 714/K4J 750
	1.6 16V	03.99 - 08.03	79	K4M 700/K4M 708/K4M 701
	2.0 16V	01.02 - 08.03	102	F4R 746
Megane I Grandtour	1.4 16V	03.99 -	70	K4J 714/K4J 750
	1.6 16V	03.99 -	79	K4M 704/-700/-708/-701
	1.8 16V	01.01 -	85	F4P 722/F4P 720
Megane II	1.4 16V	10.03 -	60	K4J 732
	1.4 16V	11.02 -	72	K4J 740/K4J 730
	1.6	06.05 -	77	K4M 788
	1.6 Flexfuel	01.07 -	77	K4M 788
	1.6 16V	01.07 -	82	K4M 812/K4M 760/K4M 813
	1.6 16V	11.02 -	83	K4M 760
	2.0 16V	11.02 -	99	F4R 770
	2.0 16V Turbo	05.04 -	120	F4R 776
	2.0 Sport	05.04 -	165	F4R 774/F4Rt 774
	2.0	08.06 -	169	F4R 774
Megane II Sedan	1.4	09.03 -	60	K4J 732
	1.4	09.03 -	72	K4J 740/K4J 730
	1.6	05.05 -	77	K4M 762
	1.6 16V	01.07 -	82	K4M 812/K4M 813
	1.6	09.03 -	83	K4M 760/K4M 761
	2.0	09.03 -	99	F4R 771/F4R 770
Megane II Combi	1.4	08.03 -	72	K4J 740/K4J 730
	1.6 16V	01.07 -	82	K4M 812/K4M 760/K4M 813
	1.6	08.03 -	83	K4M 760/K4M 761
	1.6 16V Hi-Flex	02.08 -	77	K4M 762
	2.0	08.03 -	99	F4R 771/F4R 770
Megane II Coupé-Cabrio	1.6 16V	01.07 -	82	K4M 812/K4M 760/K4M 813
	1.6	09.03 -	83	K4M 760/K4M 761
	2.0	09.03 -	99	F4R 771/F4R 770
	2.0 16V Turbo	05.04 -	120	F4R 776
Megane III CC (BZ0_)	1.6 16V	11.08 -	74	K4M P 848
	1.6 16V	11.08 -	81	K4M 858
	1.6 16V Bifuel	11.08 -	81	K4M 866
	2.0 Tce	11.08 -	132	F4R 870
Megane III Sedan	1.6 16V	06.09 -	82	
Megane III Coupe	1.6 16V	11.08 -	74	K4M P 848
	1.6 16V	11.08 -	81	K4M 858/K4M 866
	1.6 16V Bifuel	11.08 -	81	K4M 866
	2.0 Tce	11.08 -	132	F4R 870
	2.0 Tce	05.09 -	184	F4R 874
Megane III Grandtour	1.6 16V	05.09 -	74	K4M P 848
	1.6 16V	05.09 -	81	K4M 858

CL100				
RENAULT				
Megane III Grandtour	1.6 16V Bifuel	11.08 -	81	K4M 866
	2.0 Tce	11.08 -	132	F4R 870/F4R 872
Megane (EZ0/1_)	1.6 16V	06.10 -	81	K4M 858/K4M 866
	2.0 Tce	06.10 -	132	F4R 870/F4R 872
Modus (F/JPO_)	1.4	12.04 -	72	K4J 770
	1.6	12.04 -	65	K4M 792/K4M 794
	1.6	12.04 -	82	K4M 790/K4M 791
Scénic I (JA0/1_)	1.4 16V	09.99 - 08.03	70	K4J 714/K4J 750
	1.6 16V	09.99 - 08.03	79	K4M 704/-700/-708/-701
	1.8 16V	01.01 - 08.03	85	F4P 722/F4P 720
	2.0 16V RX4	06.00 - 08.03	102	F4R 746/F4R 744
	2.0 16V	07.00 - 08.03	102	F4R 741/F4R 740/F4R 746
	2.0 16V	09.99 - 08.03	103	F4R 741/F4R 740/F4R 744
Scénic II (JM0/1_)	1.4	06.03 -	72	K4J 740/K4J 730
	1.6 16V	01.07 -	82	K4M C 813/-812/K4-766
	1.6	06.03 -	83	K4M 761/K4M 782
	2.0	06.03 -	99	F4R 771/F4R 770
	2.0 16V Turbo	05.04 -	120	F4R 776
Scénic III (JZ0/1_)	1.6 16V	02.09 -	81	K4M 9 766
	1.6 E85	02.09 -	81	K4M 866
Thalia (LB0/1/2_)	1.4 16V	08.00 -	72	K4J 712
Vel Satis (BJ0_)	2.0 16V Turbo	06.02 -	120	F4R 762/F4R 763
	2.0 16V Turbo	04.04 -	125	F4R 766/F4R 767
Wind	1.6	07.10 -	98	K4M 854
Trafic II Bus (JL)	2.0 16V	08.06 -	86	F4R 820
	2.0	03.01 -	88	F4R 722/F4R 720
Trafic II Van (FL)	2.0 16V	08.06 -	86	F4R 820
	2.0	03.01 -	88	F4R 722/F4R 720
Trafic II Flatbed (EL)	2.0	03.01 -	88	F4R 720

CL101	
SAE	OEM-No.
	RENAULT 82 00 765 882



for cylinder 2 & 3 (CL103: 1 & 4)

RENAULT				
Megane I (BA0/1_)	1.6 i	01.96 - 03.97	55	K7M 720
	1.6 e	01.96 - 03.97	66	K7M 702/K7M 703/K7M 790
Megane I Classic (LA0/1_)	1.6 i	03.97 - 03.99	55	K7M 720
	1.6 e	09.96 - 03.97	66	K7M 702/K7M 703/K7M 790
Megane I Coach (DA0/1_)	1.6 e	03.96 - 03.97	66	K7M 702/K7M 703
Megane I Cabrio (EA0/1_)	1.6 e	10.96 - 03.97	66	K7M 702/K7M 703
Megane Scenic (JA0/1_)	1.6 i	01.97 - 03.97	55	K7M 720
	1.6 e	01.97 - 03.97	66	K7M 702/K7M 703

CL102

PIN OEM-No.
RENAULT 77 00 100 643



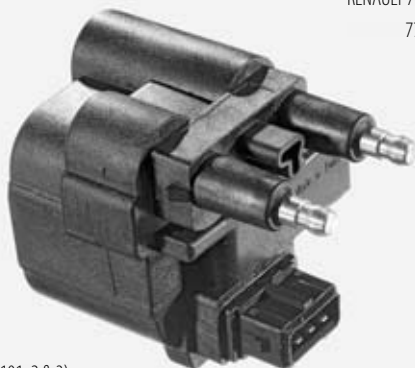
for cylinder 2 & 3 (CL128: 1 & 4)

RENAULT

Clio II (B80/1/2_ CB0/1/2_)	1.4	09.98 - 05.05	55	K7J 710/E7J 780
	1.6	09.98 - 05.05	66	K7M 744/K7M 745
Kangoo (KCO/1_)	1.4	08.97 -	55	E7J 634/-635/-780/K7J 701
Kangoo Express (FC0/1_)	1.4	08.97 -	55	E7J 634/-635/-780/K7J 701
Megane I (BA0/1_)	1.6 i	04.97 - 03.99	55	K7M 720
	1.6 e	04.97 - 03.99	66	K7M 702/K7M 703/K7M 790
Megane I Classic (LA0/1_)	1.6 e	04.97 - 03.99	66	K7M 702/K7M 703/K7M 790
Megane I Coach (DA0/1_)	1.6 e	04.97 - 03.99	66	K7M 702/K7M 703
Megane I Cabrio (EA0/1_)	1.6 e	04.97 - 03.99	66	K7M 702/K7M 703
Megane Scenic (JA0/1_)	1.6 i	04.97 - 09.99	55	K7M 720
	1.6 e	04.97 - 09.99	66	K7M 702/K7M 703

CL103

SAE OEM-No.
RENAULT 708633020-7
77 01 041 607



for cylinder 1 & 4 (CL101: 2 & 3)

RENAULT

Megane I (BA0/1_)	1.6 i	01.96 - 03.97	55	K7M 720
	1.6 e	01.96 - 03.97	66	K7M 702/K7M 703/K7M 790
Megane I Classic (LA0/1_)	1.6 i	03.97 - 03.99	55	K7M 720
	1.6 e	09.96 - 03.97	66	K7M 702/K7M 703/K7M 790
Megane I Coach (DA0/1_)	1.6 e	03.96 - 03.97	66	K7M 702/K7M 703
Megane I Cabrio (EA0/1_)	1.6 e	10.96 - 03.97	66	K7M 702/K7M 703
Megane Scenic (JA0/1_)	1.6 i	01.97 - 03.97	55	K7M 720
	1.6 e	01.97 - 03.97	66	K7M 702/K7M 703

CL104

OEM-No.
PSA 96 363 378
9636337880
9636997880
5970 80



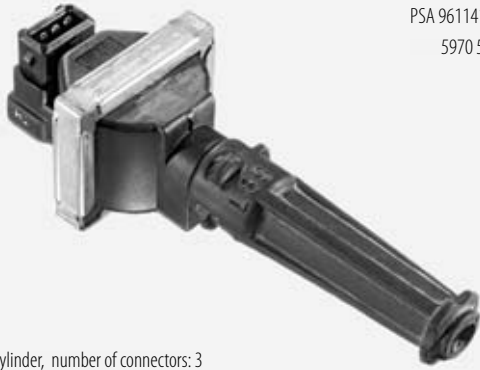
CITROEN

Berlingo (MF)	1.6 16V	10.00 -	80	NFU (TU5JP4)
Berlingo Van (M_)	1.6 16V	10.00 -	80	NFU (TU5JP4)
Berlingo	1.6	04.08 -	66	NFR (TU5JP4B)
	1.6	04.08 -	80	NFU (TU5JP4)
Berlingo Van	1.6	04.08 -	66	NFR (TU5JP4B)
	1.6	04.08 -	80	NFU (TU5JP4)
C2 (JM_)	1.6	09.03 -	80	NFU (TU5JP4)
	1.6 VTS	01.05 -	90	NFS (TU5JP4S)
C3 (FC_)	1.6 16V	02.02 -	80	NFU (TU5JP4)
C3 Pluriel (HB_)	1.6	05.03 -	80	NFU (TU5JP4)
C4 (LC_)	1.6 16V	11.04 -	80	NFU (TU5JP4)
	1.6 16V Bioflex	09.07 -	80	NFU (TU5JP4)
C4 Coupe (LA_)	1.6 16V	11.04 -	80	NFU (TU5JP4)
Xsara (N1)	1.6 16V	09.00 - 03.05	80	NFU (TU5JP4)
Xsara Break (N2)	1.6 16V	09.00 - 08.05	80	NFU (TU5JP4)
Xsara Coupe (N0)	1.6 16V	09.00 - 03.05	80	NFU (TU5JP4)
Xsara Picasso (N68)	1.6 16V	09.05 -	80	NFU (TU5JP4)

PEUGEOT

1007 (KM_)	1.6 16V	04.05 -	80	NFU (TU5JP4)
206 CC (2D)	1.6 16V	09.00 -	80	NFU (TU5JP4)
206 CC (2A/C)	1.6 16V	12.00 -	80	NFU (TU5JP4)
206 Sedan	1.6 16V	03.07 -	80	NFU (TU5JP4)
206 SW (2E/K)	1.6 16V	07.02 -	80	NFU (TU5JP4)
207 (WA_, WC_)	1.6 16V	02.06 -	80	NFU (TU5JP4)
307 (3A/C)	1.6 16V	08.00 -	80	NFU (TU5JP4)
307 Break (3E)	1.6 16V	03.02 -	80	NFU (TU5JP4)
307 CC (3B)	1.6 16V	03.05 -	80	NFU (TU5JP4)
307 SW (3H)	1.6 16V	03.02 -	80	NFU (TU5JP4)
308 (4A_, 4C_)	1.6 Bioflex	04.08 -	80	NFU (TU5JP4)
308 SW	1.6 Bioflex	03.09 -	82	NFU (TU5JP4)
Partner CombiSpace (5F)	1.6 16V	07.01 -	80	NFU (TU5JP4)
Partner Tepee	1.6	04.08 -	66	NFR (TU5JP4B)
	1.6	04.08 -	80	NFU (TU5JP4)
Partner Van	1.6	04.08 -	66	NFR (TU5JP4B)
	1.6	04.08 -	80	NFU (TU5JP4)

CL105



OEM-No.
PSA 9611412080
5970 50

1 coil per cylinder, number of connectors: 3

CITROEN

Xantia (X1)	2.0i 16V	06.94 - 01.98	110	RFT (XU10J4/Z)
	2.0i 16V	03.93 - 01.98	112	RFY (XU10J4/Z)
ZX (N2)	2.0i 16V	06.94 - 06.97	110	RFT (XU10J4/Z)
	2.0i 16V	07.92 - 10.94	112	RFT - RFY (XU10J4/Z)
	2.0i 16V	05.96 - 06.97	120	RFS (XU10J4RS)

PEUGEOT

306 (7B, N3, N5)	2.0 516	06.94 - 05.01	110	RFT (XU10J4)
	2.0 516	06.94 - 05.01	112	RFY (XU10J4Z)
306 CC (7A, 7C, N3, N5)	2.0 516	06.94 - 05.01	110	RFT (XU10J4)
	2.0 516	05.93 - 05.01	112	RFY (XU10J4Z)
405 II (4B)	2.0T	08.92 - 10.95	144	RGZ (XU10J4TE/Z)
405 II Break (4E)	2.0 4x4	08.92 - 12.95	144	RGZ (XU10J4TE/Z)

CL106



OEM-No.
PSA 96062288
5970 49
96 165 970 80
ROVER GCL204

CITROEN

AX (ZA-_)	1.4 GTi	08.91 - 12.96	66	KFY (TU3FJ2)
	1.4 GTi	06.91 - 12.96	69	KFZ (TU3FJ2)
	1.4 GTi	06.91 - 12.92	74	KFZ (TU3FJ2)
AX 10 (ZA-_)	1.0	01.92 - 12.98	33	CDY (TU9M)
	1.0	02.87 - 12.98	37	CDZ (TU9M)
AX 11 (ZA-_)	1.1	01.92 - 12.97	44	HDZ (TU1M)/H1B
AX 14 (ZA-_)	1.4	07.89 - 07.96	55	KDY/ KDZ /KDX

PEUGEOT

106 I (1A, 1C)	1.0	09.91 - 04.96	33	TU9/CDY (TU9M)
	1.0	09.91 - 04.96	37	CDZ (TU9M)
	1.3	10.93 - 04.96	72	TU2J2
	1.4	03.94 - 04.96	55	KDX (TU3MC)/KDY (TU3M)
	1.4	09.91 - 04.96	69	KFZ (TU3J2/Z)
	1.6	06.93 - 04.96	65	NFZ (TU5JP)
106 II (1)	1.6i	01.94 - 04.96	76	NFY (TU5J2)
	1.6i	05.96 -	65	NFZ (TU5JP)
206 CC (2A/C)	1.6i	05.96 -	74	NFW (TU5J2)/NFY (TU5J2)
	1.6i	09.98 - 12.00	65	NFZ (TU5JP)

CL106

PEUGEOT

306 (7B, N3, N5)	1.1	06.94 - 05.01	44	HDZ (TU1M)
	1.4 SL	06.97 - 05.01	55	KDX /KFX - KFW (TU3JP)
	1.6 SR	04.97 - 10.00	65	NFZ (TU5JP)
306 Break (7E, N3, N5)	1.6	04.97 - 10.00	65	NFZ (TU5JP)
306 Cabrio (7D, N3, N5)	1.6	04.96 - 10.00	65	NFZ (TU5JP)
306 CC (7A, 7C, N3, N5)	1.1	05.93 - 05.01	44	HDZ (TU1M)
	1.4	06.97 - 05.01	55	KDX /KFX - KFW (TU3JP)
	1.6	05.93 - 10.00	65	NFZ (TU5JP)
405 II (4B)	1.4	08.92 - 10.95	55	KDX (TU3MC)
405 II Break (4E)	1.4	08.92 - 10.96	55	KDX (TU3MC)

ROVER

400 Tourer (XW)	2.0i	05.94 - 11.98	100	20T4H
420 Si Lux (RT)	2.0	12.95 - 03.00	100	20T4H
420 Si Lux Hatchback	2.0	12.95 - 03.00	100	20T4H
820 I/Sl (RS)	2.0	01.92 - 02.99	100	20T4H
820 I/Sl Hatchback (XS)	2.0	01.93 - 02.99	100	20T4H

CL107



OEM-No.
FIAT 96228897
9607405480
9622889780
PSA 96074054
96228897
5970 48
5970 60
5970 70

CITROEN

Berlingo (MF)	1.1 i	07.96 -	44	HDZ (TU1M)/HFX (TU1JP)
	1.4 i	07.96 -	55	KFX (TU3JP)/KFW (TU3JP)
	1.8 i	04.97 -	66	LFX (XU7JB)
	1.8 i	05.97 -	66	LFX (XU7JB)
Berlingo Van (M_)	1.1 i	07.96 -	44	HDZ (TU1M)/HFX (TU1JP)
	1.4 i	07.96 -	55	KFX (TU3JP)/KFW (TU3JP)
	1.8 i	08.99 - 10.02	66	LFX (XU7JB)
BX 16 (XB-_)	1.6 E	03.91 - 02.93	65	BDY (XU5M)/BDZ (XU5M)
BX 19 Break (XB-_)	1.9	06.88 - 12.94	80	DDZ (XU9M)
	1.9 4x4	10.90 - 05.91	80	DDZ (XU9M)
Évasion (22, U6)	1.8	05.97 - 07.02	73	LFZ (XU7JP)
	2.0	06.94 - 07.02	89	RFU (XU10J2/C)
	2.0 Turbo C.T.	06.94 - 07.02	108	RGX (XU10J2TE)
Saxo (S0, S1)	1.0 X	05.96 - 11.98	33	CDZ (TU9M)
	1.0 X	05.98 - 06.03	37	CDZ (TU9M)
	1.1 X,SX	05.96 - 09.03	40	HDZ (TU1M)
	1.1 X,SX	05.96 - 09.03	44	HDZ (TU1M)/HFX (TU1JP)
Xantia (X1)	1.6 i	03.93 - 01.98	65	BFX (XU5JP)
	1.8 i	04.97 - 01.98	66	LFX (XU7JB)
	1.8 i	03.93 - 01.98	74	LFZ (XU7JP)
	1.8 i 16V	06.95 - 01.98	81	LFY (XU7JP4)
	2.0i	03.93 - 01.98	89	RFX (XU10J2C)
	2.0 Turbo	06.95 - 01.98	108	RGX (XU10J2TE)
Xantia Break (X1)	1.8 i	04.97 - 01.98	66	LFX (XU7JB)
	1.8 i	06.95 - 01.98	74	LFZ (XU7JP)
	1.8 i 16V	06.95 - 01.98	81	LFY (XU7JP4)
	2.0i	06.95 - 01.98	89	RFX (XU10J2C)

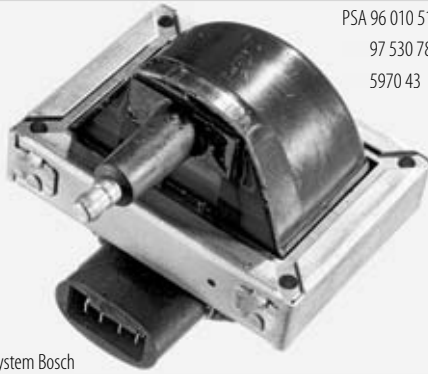
CL107

CL107			
CITROEN			
	2.0 Turbo	06.95 - 01.98	108 RGX (XU10J2TE)
Xantia (X2)	1.8 i	01.98 - 04.03	66 LFX (XU7JB)
	2.0 i	01.98 - 04.03	89 RFX (XU10J2C)
	2.0 Turbo	01.98 - 04.03	108 RGX (XU10J2TE)
Xantia Break (X2)	1.8 i	01.98 - 04.03	66 LFX (XU7JB)
	2.0 i	01.98 - 04.03	89 RFX (XU10J2C)
	2.0 Turbo	01.98 - 04.03	108 RGX (XU10J2TE)
XM (Y3)	2.0 i	05.89 - 06.94	89 RFZ (XU10J2)
	2.0 i Turbo	09.92 - 06.94	104 RGY (XU10J2TE/Z)
XM Break (Y3)	2.0 i	11.91 - 04.94	89 RFZ (XU10J2)
	2.0 Turbo	09.92 - 04.94	104 RGY (XU10J2TE/Z)
XM (Y4)	2.0 i 16V	05.94 - 10.00	97 RFV (XU10J4R)
	2.0 Turbo	05.94 - 10.00	108 RGX (XU10J2TE)
XM Break (Y4)	2.0 i 16V	05.94 - 10.00	97 RFV (XU10J4R)
	2.0 Turbo	05.94 - 10.00	108 RGX - RGY (XU10J2TE/Z)
Xsara (N1)	1.4 i	04.97 - 03.05	55 KFX (TU3JP)/KFW (TU3JP)
	1.6 i	04.97 - 09.00	65 NFZ (TU5JP)
	1.8 i	04.97 - 09.00	66 LFX (XU7JB)
	1.8 i Aut.	04.97 - 09.00	74 LFZ (XU7JP)
Xsara Break (N2)	1.4 i	10.97 - 08.05	55 KFX (TU3JP)/KFW (TU3JP)
	1.6 i	10.97 - 09.00	65 NFZ (TU5JP)
	1.8 i	10.97 - 09.00	66 LFX (XU7JB)
	1.8 i Aut.	10.97 - 09.00	74 LFZ (XU7JP)
Xsara Coupe (N0)	1.4 i	03.98 - 03.05	55 KFX (TU3JP)/KFW (TU3JP)
	1.6 i	02.98 - 09.00	65 NFZ (TU5JP)
	1.8 i	02.98 - 09.00	66 LFX (XU7JB)
	1.8 i	02.98 - 09.00	74 LFZ (XU7JP)
ZX (N2)	1.6 i	03.91 - 06.97	65 BFZ (XU5JP)/BDY (XU5M)
	1.6	07.94 - 10.97	66
	1.8 i	07.92 - 06.97	74 LFZ (XU7JP)
	1.8	07.94 - 10.97	76
	1.8 i 16V	01.96 - 06.97	81 LFY (XU7JP4)
	1.9 i	03.91 - 06.97	88 DKZ (XU9JA)
	1.9	03.91 - 06.97	93 D6E (XU9JA)
2.0 i	07.92 - 06.97	89 RFX (XU10J2C)	
2.0	07.94 - 10.97	90	
ZX Break (N2)	1.6 i	10.93 - 10.97	65 BFZ (XU5JP)/BDY (XU5M)
	1.8 i	10.93 - 10.97	74 LFZ (XU7JP)
	1.8 i 16V	01.96 - 02.98	81 LFY (XU7JP4)
Jumper Bus (230P)	2.0	02.94 - 04.02	80 RFW (XU10J2U)
	2.0 4x4	08.96 - 04.02	80 RFW (XU10J2U)
Jumper Flatbed (230)	2.0	03.94 - 04.02	80 RFW (XU10J2U)
Jumper Van (230L)	2.0	03.94 - 04.02	80 RFW (XU10J2U)
	2.0 4x4	10.96 - 01.02	80
Jumper Bus (244, Z_)	2.0	04.02 -	81 XU10J2
	2.0 bivalent	02.03 -	81 XU10J2
Jumper Van (244)	2.0	04.02 -	81 XU10J2
	2.0 bivalent	02.03 -	81 XU10J2
FIAT			
Ulysse (220)	1.8	05.97 - 08.02	73 LFW
	2.0	06.94 - 08.02	89 RFU (XU10J2C)
	2.0 Turbo	06.94 - 08.02	108 RGX (XU10J2CTE)
Ducato Bus (230)	2.0 Panorama	03.94 - 04.02	80 RFW
Ducato Van (230L)	2.0	03.94 - 04.02	80 RFW
Ducato Flatbed (230)	2.0	06.98 - 04.02	80 RFW
Ducato Bus (244, Z_)	2.0	04.02 -	81 RFL
	2.0 Bipower	11.02 -	81 RFL
Ducato Van (244)	2.0	04.02 -	81 RFL
	2.0 Bipower	11.02 -	81 RFL

CL107			
LANCIA			
Zeta (220)	2.0 16V	07.00 - 09.02	100 RFN
	2.0 Turbo	05.95 - 09.02	108 RGX
PEUGEOT			
106 II (1)	1.0 i	05.96 -	33 CDY (TU9M)
	1.0 i	01.97 -	37 CDZ (TU9M)
	1.1 i	01.97 -	40 HDY (TU1M)
205 I Cabrio (741B, 20D)	1.6 CJ	08.92 - 12.94	65 BDY (XU5M3Z)
205 II (20A/C)	1.6 Aut.	05.90 - 09.98	65 BDY/BDY (XU5M3Z, _2Z)
306 (7B, N3, N5)	1.8 16V	03.97 - 05.01	81 LFY (XU7JP4)
	1.8 ST	06.94 - 05.01	74 LFZ (XU7JP)
	2.0 ST	07.94 - 05.01	89 RFX (XU10J2)
306 Break (7E, N3, N5)	1.8	03.97 - 04.02	74 LFZ (XU7JP)
	1.8 16V	03.97 - 04.02	81 LFY (XU7JP4)
306 Cabrio (7D, N3, N5)	1.8 16V	07.00 - 04.02	81 LFY (XU7JP4)
	1.8	03.94 - 04.02	74 LFZ (XU7JP)
	2.0	03.94 - 04.02	89 RFX (XU10J2)
306 CC (7A, 7C, N3, N5)	1.8 16V	03.97 - 05.01	81 LFY (XU7JP4)
	1.8	05.93 - 05.01	74 LFZ (XU7JP)
	2.0 XSi	05.93 - 05.01	89 RFX (XU10J2)
	1.6	07.89 - 12.93	65 BDY / BDZ
309 II (3C, 3A)	1.6	09.90 - 12.92	65 BDY (XU5M2Z)/BDZ (XU5M)
405 I (15B)	1.6	10.90 - 08.92	65 BDY / BDZ
405 I Break (15E)	1.6	08.92 - 10.95	65 BFZ / BDY / BDZ
405 II (4B)	1.8	08.92 - 10.95	74 LFZ (XU7JP)
	2.0	08.92 - 10.95	89 RFX (XU10J2)
	2.0 X4	08.92 - 10.95	89 RFX (XU10J2)
	1.6	08.92 - 10.96	65 BFZ / BDY / BDZ
405 II Break (4E)	1.8	08.92 - 10.96	74 LFZ (XU7JP)
	2.0	08.92 - 10.96	89 RFX (XU10J2)
	2.0 4x4	08.92 - 10.96	89 RFX (XU10J2)
406 (8B)	1.6	11.95 - 05.04	65 BFZ (XU5JP)
	1.8	05.97 - 05.04	66
	1.8 16V	11.95 - 03.99	81 LFY (XU7JP4)
	2.0 Turbo	04.96 - 05.04	108 RGX (XU10J2TE)
406 Break (8E/F)	1.8	05.97 - 10.04	66 LFX (XU7JB)
	1.8 16V	10.96 - 03.99	81 LFY (XU7JP4)
	2.0 Turbo	10.96 - 10.04	108 RGX (XU10J2TE)
605 (6B)	2.0	06.89 - 09.99	89 RFZ (XU10J2Z)
	2.0 Turbo	07.92 - 09.99	104 RGY (XU10J2TE)
	2.0 Turbo	07.91 - 09.99	108 RGX (XU10J2TE)
806 (221)	1.8	07.95 - 08.02	73 LFW (XU7JP)
	2.0	06.94 - 08.02	89 RFU (XU10J2)
	2.0 Turbo	06.94 - 08.02	108 RGX (XU10J2TE)
	1.8	10.96 - 09.00	74 LFZ (XU7JP)
Expert (224)	1.8	10.96 - 09.00	74 LFZ (XU7JP)
Expert Van (222)	1.1	06.96 -	44 HDZ (TU1M)/HFX (TU1JP)
Partner Comospace (5F)	1.4	06.96 - 11.02	55 KFX - KFW (TU3JP)
	1.8	05.97 -	66 LFX (XU7JB)
	1.1	06.96 -	44 HDZ (TU1M)
Partner Van (5)	1.4	06.96 -	55 KFX (TU3JP)/TU32
	2.0 i	03.94 - 04.02	80 RFW (XU10J2)
Boxer Bus (230P)	2.0 i 4x4	08.96 - 04.02	80 RFW (XU10J2)
Boxer Van (230L)	2.0 i	06.94 - 04.02	80 RFW (XU10J2)
	2.0 4x4	03.96 - 09.98	80
Boxer Flatbed (ZCT_)	2.0 i	06.94 - 04.02	80 RFW (XU10J2)
Boxer Bus (244, Z_)	2.0	04.02 -	81 RFL (XU10J2U)
Boxer Van (244)	2.0	04.02 -	81 RFL (XU10J2U)
ROVER			
Cityrover	1.4	01.04 -	62 14K2

CL108

SAE	OEM-No.
	PSA 96 010 513
	97 530 780
	5970 43



oval socket, ignition system Bosch

CITROEN

AX (ZA-_)	1.3 Sport	04.87 - 12.88	70	M4A
AX 10 (ZA-_)	1.0 E	12.86 - 12.88	30	C3A
	1.0	09.86 - 06.92	32	C1A
	1.0	07.86 - 12.90	33	CDY (TU9M)
AX 11 (ZA-_)	1.1	12.86 - 04.94	40	H1A/H1B
	1.1 cat	09.88 - 12.89	40	HAZ (TU1CP)
	1.1 4x4	06.91 - 07.92	40	H1A
AX 14 (ZA-_)	1.4	12.86 - 12.88	44	KAY (TU3CP)
	1.4	06.88 - 12.89	49	K1F
	1.4	05.91 - 04.97	55	KDY / KDZ / KDX
	1.4 4x4	08.91 - 12.96	55	KDY / KDZ / KDX
	1.4	01.88 - 12.92	62	K2B/K2A
BX 11 (XB-_)	1.1	10.88 - 06.92	40	HDZ (TU1M)
BX 14 (XB-_)	1.4	01.89 - 12.89	47	K1H (TU3A)
C15 (VD-_)	1.0	10.84 - 12.97	33	XV8/TU9
	1.1 i	07.88 - 12.96	44	HDZ (TU1M)
	1.4 E	05.87 - 12.96	44	150D (XY7)
	1.4	07.87 - 12.96	49	K1H (TU3A)
	1.4 i	05.91 - 12.96	55	KDY (TU3FM)/KDY (TU3M)
	C15 Combi	1.1	10.88 - 10.92	40
1.1		08.88 - 07.96	44	HDZ (TU1M)
1.4		05.87 - 10.92	44	150D (XY7)
1.4		05.87 - 09.92	49	
1.4		05.91 - 07.96	55	KDY (TU3M)

PEUGEOT

205 I Cabrio (741B, 20D)	1.1 CJ	10.89 - 12.94	44	HDZ (TU1M)
	1.4 CJ	03.89 - 12.94	49	K1D (TU3A)
	1.4 CJ cat	01.89 - 09.93	44	KAY (TU3CP)
	1.4 CJ	05.91 - 12.94	55	KDZ (TU3M)/KDY (TU3M)
205 II (20A/C)	1.0	10.87 - 09.98	33	TU9
	1.1	10.87 - 10.90	40	H1B (TU1)
	1.1	07.89 - 09.98	44	HDZ (TU1M)
	1.4 cat	08.87 - 09.93	44	KAY (TU3CP)
	1.4	10.87 - 10.90	49	K1D (TU3A)
	1.4	06.87 - 12.89	62	K2B (TU3S)
	1.4	07.88 - 09.98	55	KFX / KDZ / KDY
	1.9 GTI	10.87 - 09.98	94	D6B (XU9JA (G-KAT))
	309 I (10C, 10A)	1.4	03.89 - 07.89	49
1.4		03.89 - 07.89	55	KDZ (TU3M)/KDY (TU3M)
1.4		03.89 - 07.89	62	K2B (TU3S)
309 II (3C, 3A)	1.6	11.85 - 09.88	76	180Z (XU5J)/B6B (XU5J)
	1.1	08.90 - 12.93	44	HDZ (TU1M)
	1.4	07.90 - 12.93	49	K1D (TU3A)
	1.4	07.89 - 12.93	55	KDZ (TU3M)/KDY (TU3M)
	1.9	08.89 - 12.93	72	DFZ (XU9J1)
405 I (15B)	1.9 GTI	07.89 - 12.93	88	DKZ (XU9JAZ)
	1.4	01.87 - 07.92	47	TU 3

CL109

SAE	OEM-No.
	PSA 96 035 284
	9603528480
	5970 45



rectangular socket

CITROEN

AX 10 (ZA-_)	1.0	01.91 - 12.98	33	CDY (TU9M)
AX 11 (ZA-_)	1.1	01.91 - 12.97	44	HDZ (TU1M)/H1B
ZX (N2)	1,1	03.91 - 08.93	40	H1A/H1B
	1.1	03.91 - 06.97	44	HDZ (TU1M)
	1.4	03.91 - 06.97	55	KDZ (TU3M/Z)
	1.4i	03.91 - 06.97	55	KDZ / KFX / KDX
	1.9i	03.91 - 06.97	88	DKZ (XU9JA)
ZX Break (N2)	1.4i	10.93 - 10.97	55	KDY / KFX / KDX

PEUGEOT

106 I (1A, 1C)	1.1	09.91 - 04.96	44	HDZ (TU1M)
	1.4	08.91 - 03.96	51	TU 3
	1.4	02.94 - 04.96	55	KDX (TU3MC)/KDY (TU3M)

CL110

	OEM-No.	
	PSA 96 246 755	PSA 5970 74
	96 281 585	96 246 755 80
	5970 72	96 281 585 80



color of socket: black

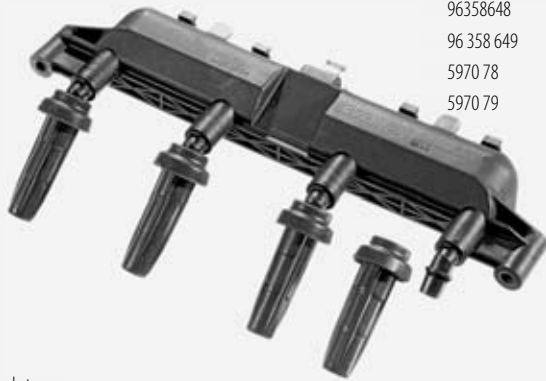
CITROEN

Berlingo (MF)	1.4 i	09.05 -	55	KFX (TU3JP)/KFW (TU3JP)
Berlingo Van (M_)	1.4 i	09.05 -	55	KFX (TU3JP)/KFW (TU3JP)
Saxo (S0, S1)	1.4 VTS	02.98 - 06.03	55	KFX (TU3JP)/KFW (TU3JP)
	1.6 VTL,VTR	05.96 - 06.03	65	NFZ (TU5JP)
Xsara (N1)	1.4 i	04.97 - 03.05	55	KFX (TU3JP)/KFW (TU3JP)
	1.6 i	04.97 - 09.00	65	NFZ (TU5JP)
Xsara Break (N2)	1.4 i	10.97 - 08.05	55	KFX (TU3JP)/KFW (TU3JP)
	1.6 i	10.97 - 09.00	65	NFZ (TU5JP)
Xsara Coupe (N0)	1.4 i	03.98 - 03.05	55	KFX (TU3JP)/KFW (TU3JP)

PEUGEOT

106 II (1)	1.4 i	06.97 - 06.00	55	KFX (TU3JP)/KFW (TU3JP)
206 CC (2A/C)	1.4 i	09.98 - 02.09	55	KFX (TU3JP)/KFW (TU3JP)
	1.6 i	09.98 - 12.00	65	NFZ (TU5JP)
306 (7B, N3, N5)	1.4 SL	06.97 - 06.00	55	KDX / KFX - KFW (TU3JP)
	1.6 SR	07.98 - 10.00	65	NFZ (TU5JP)
306 Break (7E, N3, N5)	1.4	06.97 - 06.00	55	KFX (TU3JP)/KFW (TU3JP)
	1.6	07.98 - 10.00	65	NFZ (TU5JP)

CL111



color of socket: grey

CITROEN

Berlingo (MF)	1.4 i	09.00 -	55	KFX (TU3JP)/KFW (TU3JP)		
Berlingo Van (M_)	1.4 i	09.00 -	55	KFX (TU3JP)/KFW (TU3JP)		
C2 (JM_)	1.1	09.03 -	44	HFX (TU1JP)		
	1.4	09.03 -	54	KFV (TU3JP)		
C3 (FC_)	1.1 i	02.02 -	44	HFX (TU1JP)		
	1.4 i Bivalent	02.02 -	54	KFV (TU3JP)		
	1.4 16V	12.03 -	65	KFU (ET3J4)		
C3 Pluriel (HB_)	1.4	05.03 -	54	KFV (TU3JP)		
Saxo (S0, S1)	1.1 X,SX	05.96 - 09.03	40	HDZ (TU1M)		
	1.1 X,SX	09.00 - 09.03	44	HDZ (TU1M)/HFX (TU1JP)		
	1.4 VTS	06.00 - 06.03	55	KFX (TU3JP)/KFW (TU3JP)		
	1.6 VTS	09.00 - 09.03	72	NFT		
	1.6 VTS	06.96 - 09.03	87	NFX (TU5JP4)		
Xsara (N1)	1.4 i	04.97 - 03.05	55	KFX (TU3JP)/KFW (TU3JP)		
Xsara Break (N2)	1.4 i	10.97 - 08.05	55	KFX (TU3JP)/KFW (TU3JP)		
Xsara Coupe (N0)	1.4 i	03.98 - 03.05	55	KFX (TU3JP)/KFW (TU3JP)		

PEUGEOT

106 II (1)	1.1 i	01.97 -	40	HDY (TU1M)		
	1.1 i	05.96 -	44	HDZ (TU1M)/HFX (TU1JP)		
	1.4 i	06.00 -	55	KFX (TU3JP)/KFW (TU3JP)		
1007 (KM_)	1.4	04.05 -	54	KFV (TU3JP)		
206 CC (2A/C)	1.1 i	09.98 -	44	HFZ (TU1JP)/HFX (TU1JP)		
	1.4 i	03.00 - 02.09	55	KFX (TU3JP)/KFW (TU3JP)		
206 SW (2E/K)	1.1	07.02 -	44	HFX (TU1JP)		
	1.4	07.02 -	55	KFV (TU3A)/KFW (TU3JP)		
	1.4 16V	10.03 -	65	KFU (ET3J4)		
306 CC (7A, 7C, N3, N5)	1.4	05.93 - 05.01	55	KDX /KFX - KFW (TU3JP)		
	1.6	10.00 - 05.01	72	NFT		
306 (7B, N3, N5)	1.4 SL	06.94 - 05.01	55	KDX /KFX - KFW (TU3JP)		
	1.6	10.00 - 05.01	72	NFT		
306 Break (7E, N3, N5)	1.4	03.97 - 04.02	55	KFX (TU3JP)/KFW (TU3JP)		
	1.6	10.00 - 04.02	72	NFT		
306 Cabrio (7D, N3, N5)	1.6	10.00 - 04.02	72	NFT		
307 (3A/C)	1.4	08.00 -	55	KFW (TU3JP)		
307 Break (3E)	1.4 16V	11.03 -	65	KFU (ET3J4)		
307 SW (3H)	1.4 16V	11.03 -	65	KFU (ET3J4)		
Partner Combispac (5F)	1.4	09.00 -	55	KFX (TU3JP)/KFW (TU3JP)		
Partner Van (5)	1.4 Bifuel	04.03 -	55	KFW (TU3JP)		

CL112



OEM-No.

PSA 94 632 641
96 341 314
9634131480
5970 75

CITROEN

C4 (LC_)	2.0 16V	11.04 -	100	RFN (EW10J4)
C4 Coupe (LA_)	2.0 16V	11.04 -	100	RFN (EW10J4)
C5 (DC_)	1.8 16V	03.01 - 08.04	85	6FZ (EW7J4)
	2.0 16V	03.01 - 08.04	100	RFN (EW10J4)
C5 Break (DE_)	1.8 16V	06.01 - 08.04	85	6FZ (EW7J4)
	2.0 16V	06.01 - 08.04	100	RFN (EW10J4)
C5 (RC_)	1.8 16V	09.04 -	85	6FZ (EW7J4)
C5 Break (RE_)	1.8 16V	09.04 -	85	6FZ (EW7J4)
C8 (EA_, EB_)	2.0	07.02 -	100	RFN (EW10J4)
Evasion (22, U6)	2.0 16V	05.00 - 07.02	100	RFN (EW10J4)
Jumpy (U6U)	2.0	04.00 - 12.06	100	RFN (EW10J4)
	2.0 i 16V	03.00 -	102	
Jumpy Van	2.0 i 16V	03.00 -	102	
Xsara (N1)	2.0 16V	09.00 - 03.05	100	RFN (EW10J4)
Xsara Break (N2)	2.0 16V	09.00 - 08.05	100	RFN (EW10J4)
Xsara Coupe (N0)	2.0 16V	09.00 - 03.05	100	RFN (EW10J4)
Xsara Picasso (N68)	1.8 16V	02.00 -	85	6FZ (EW7J4)
	2.0 16V	01.03 -	100	RFN (EW10J4)

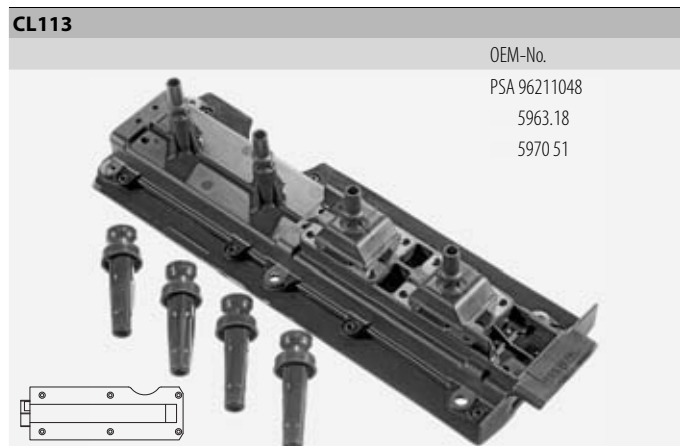
FIAT

Scudo Combinato	2.0 16V	06.00 -	100	RFN
Scudo Van (220L)	2.0	05.00 -	100	RFN
Ulysse (220)	2.0 16V	09.00 - 08.02	100	RFN
Ulysse (179AX)	2.0	08.02 -	100	RFN(EW10J4)

PEUGEOT

206 CC (2A/C)	2.0 S16	04.99 - 10.00	99	RFR (DEW10J4)
	2.0 S16	10.00 -	100	RFN (EW10J4)
	2.0 RC	07.03 -	130	RFX (EW10J4S)
206 CC (2D)	2.0 S16	09.00 -	100	RFN (EW10J4)
206 SW (2E/K)	2.0 16V	07.02 -	100	RFN (EW10J4)
307 (3A/C)	2.0 16V	08.00 -	100	RFN (EW10J4)
307 Break (3E)	2.0	03.02 -	100	RFN (EW10J4)
307 CC (3B)	2.0 16V	10.03 -	100	RFN (EW10J4)
307 SW (3H)	2.0 16V	03.02 -	100	RFN (EW10J4)
406 (8B)	1.8 16V	10.00 - 05.04	85	6FZ (EW7J4)
	2.0 16V	01.99 - 08.00	99	RFR (DEW10J4)
	2.0 16V	08.00 - 05.04	100	RFN (EW10J4)
406 Break (8E/F)	1.8 16V	10.00 - 10.04	85	6FZ (EW7J4)
	2.0 16V	01.99 - 10.00	99	RFR (DEW10J4)
	2.0 16V	10.00 - 10.04	100	RFN (EW10J4)
406 Coupe (8C)	2.0 16V	01.99 - 10.00	99	RFR (DEW10J4)
	2.0 16V	10.00 - 12.04	100	RFN (EW10J4)
407 (6D_)	1.8	05.04 -	85	6FZ (EW7J4)
	2.0	05.04 -	100	RFN (EW10J4)
407 SW (6E_)	1.8	05.04 -	85	6FZ (EW7J4)
	2.0	05.04 -	100	RFN (EW10J4)
607 (9D, 9U)	2.0	02.00 -	100	RFN (EW10J4)
806 (221)	2.0 16V	09.00 - 08.02	100	RFN (EW10J4)

CL112			
PEUGEOT			
807 (E)	2.0	06.02 -	100 RFN (EW10J4)
Expert (224)	2.0	07.00 -	100 RFN (EW10J4)
Expert Van (222)	2.0	09.02 -	100 RFN (EW10J4)



top cover

CITROEN			
Xantia (X1)	2.0i 16V	07.95 - 09.97	97 RFV (XU10J4R)
Xantia Break (X1)	2.0i 16V	07.95 - 09.97	97 RFV (XU10J4R)
XM (Y4)	2.0i 16V	07.94 - 10.00	97 RFV (XU10J4R)
XM Break (Y4)	2.0i 16V	07.94 - 10.00	97 RFV (XU10J4R)
PEUGEOT			
306 (7B, N3, N5)	2.0	03.97 - 09.97	97 RFV (XU10J4R)
306 Cabrio (7D, N3, N5)	2.0 16V	03.97 - 09.97	97 RFV (XU10J4R)
306 CC (7A, 7C, N3, N5)	2.0 16V	03.97 - 09.97	97 RFV (XU10J4R)
406 (8B)	2.0 16V	11.95 - 09.97	97 RFV (XU10J4R)
406 Break (8E/F)	2.0 16V	11.96 - 11.97	97 RFV (XU10J4R)
406 Coupe (8C)	2.0 16V	05.97 - 09.97	97 RFV (XU10J4R)
605 (6B)	2.0 16V	07.94 - 05.99	97 RFV (XU10J4R)

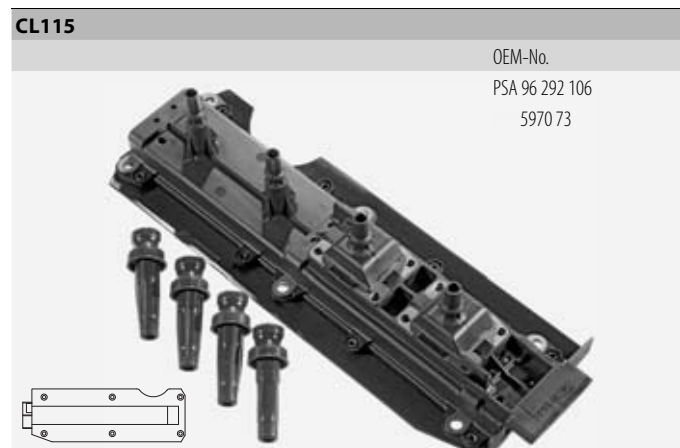


oval socket, ignition system Marelli

CITROEN			
BX 15 (XB-)	1.5	10.87 - 05.92	59 B1E (XU51C)
BX 16 (XB-)	1.6	01.87 - 02.93	53 B1E (XU51C)
	1.6	09.88 - 02.93	55 BAZ (XU5CP)/BAY (XU5CP)
	1.6E	09.89 - 03.91	65 BDY (XU5M)/BDZ (XU5M)
BX 19 (XB-)	1.9	09.86 - 11.89	70 D2C (XU92C)
	1.9	07.86 - 05.89	75 159A
	1.9 E	06.88 - 02.93	80 DDZ (XU9M)
	1.9 E 4x4	04.89 - 02.93	80 D2F
	1.9 GTi	06.88 - 02.93	88 DKZ (XU9JA)
	1.9 GTi 4x4	06.88 - 02.93	88 DKZ (XU9JA)
	1.9 GTi	07.86 - 02.93	90 D6A (XU9J2)

CL114			
CITROEN			
	1.9 GTi 16V	03.88 - 02.93	108 DFW (XU9J4)
	1.9 GTi 16V	09.87 - 12.88	116 D6C (XU9J4)
BX 15 Break (XB-)	1.5	10.87 - 05.92	59 B1E (XU51C)
BX 16 Break (XB-)	1.6	09.88 - 12.94	53 B1E (XU51C)
	1.6	05.89 - 12.94	65 BDY (XU5M)/BDZ (XU5M)
BX 19 Break (XB-)	1.9	12.87 - 12.89	70 D2C (XU92C)
	1.9	06.88 - 12.94	88 DKZ (XU9JA)
C15 (VD-)	1.3	07.87 - 05.88	47 G1A

PEUGEOT			
309 I (10C, 10A)	1.6	01.86 - 07.89	69
309 II (3C, 3A)	1.1	08.90 - 12.93	44 HDZ (TU1M)
	1.6	07.89 - 12.93	68 B2A (XU52C/K)
	1.6	07.89 - 12.93	69 B2A (XU52C/K)
	1.9 GTi 16V	10.90 - 12.93	108 DFW (XU9J4Z)
	1.9 GTi 16V	08.89 - 07.90	116 D6C (XU9J4)
405 I (15B)	1.6	07.87 - 12.92	53 B1E (XU51C)
	1.6	07.87 - 06.88	55 B1E (XU51C)/BAZ (XU5CP)
	1.6	07.87 - 12.92	65 BDY (XU5M2Z)/BDZ (XU5M)
	1.6 4x4	04.88 - 07.92	65 BDZ (XU5M)
	1.6	10.89 - 12.92	66 BDZ (XU5M)
	1.6	01.87 - 12.92	69 B2A (XU52C/K)
	1.9	07.87 - 12.92	70 D2C (XU92C (U-KAT))
	1.9	07.88 - 12.92	88 DKZ (XU9JAZ)
	1.9 Sport MI-16	04.88 - 12.92	108 DFW (XU9J4Z)
	1.9 Sp. MI-16 4x4	04.88 - 12.92	108 DFW (XU9J4Z)
405 I Break (15E)	1.9 Sport MI-16	07.87 - 11.91	116 D6C (XU9J4)
	1.6	10.88 - 08.92	55 BAZ (XU5CP)
	1.6	09.90 - 08.92	65 BDY/BDZ
	1.6	10.88 - 08.92	66 BDZ (XU5M)
	1.6 SRi 4x4	04.88 - 07.92	65 BDZ (XU5M)
	1.9	10.88 - 08.92	70 D2C (XU92C (U-KAT))
	1.9	10.88 - 08.92	88 DKZ (XU9JAZ)



top cover

CITROEN			
Evasion (22, U6)	2.0 16V	05.98 - 04.00	97 RFV (XU10J4R)
Xantia (X1)	1.8i 16V	08.97 - 12.97	81 LFY (XU7JP4)
	2.0i 16V	08.97 - 12.97	97 RFV (XU10J4R)
	1.8i 16V	08.97 - 12.97	81 LFY (XU7JP4)
Xantia Break (X1)	2.0i 16V	06.95 - 01.98	97 RFV (XU10J4R)
	1.8i 16V	01.98 - 04.03	81 LFY (XU7JP4)
	2.0i 16V	01.98 - 04.03	97 RFV (XU10J4R)
Xantia (X2)	1.8i 16V	01.98 - 04.03	81 LFY (XU7JP4)
	2.0i 16V	01.98 - 04.03	97 RFV (XU10J4R)
	1.8i 16V	01.98 - 04.03	81 LFY (XU7JP4)
Xantia Break (X2)	2.0i 16V	01.98 - 04.03	97 RFV (XU10J4R)
	1.8i 16V	01.98 - 04.03	81 LFY (XU7JP4)
	2.0i 16V	01.98 - 04.03	97 RFV (XU10J4R)
XM (Y4)	2.0i 16V	09.97 - 10.00	97 RFV (XU10J4R)
XM Break (Y4)	2.0i 16V	09.97 - 10.00	97 RFV (XU10J4R)

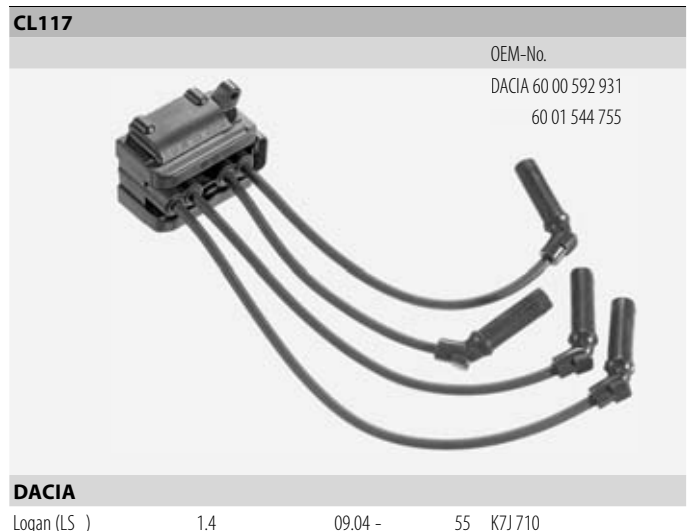
CL115				
CITROEN				
Xsara (N1)	1.8 i 16V	04.97 - 09.00	81	LFY (XU7JP4)
	2.0 16V	07.98 - 09.00	97	RFV (XU10J4R)
Xsara Break (N2)	1.8 i 16V	10.97 - 09.00	81	LFY (XU7JP4)
	2.0 16V	07.98 - 09.00	97	RFV (XU10J4R)
Xsara Coupe (N0)	1.8 i 16V	02.98 - 09.00	81	LFY (XU7JP4)
PEUGEOT				
306 (7B, N3, N5)	1.8 16V	09.97 - 05.01	81	LFY (XU7JP4)
	2.0	09.97 - 05.01	97	RFV (XU10J4R)
306 Break (7E, N3, N5)	1.8 16V	09.97 - 04.02	81	LFY (XU7JP4)
	2.0	03.97 - 04.02	97	RFV (XU10J4R)
306 Cabrio (7D, N3, N5)	1.8 16V	07.00 - 04.02	81	LFY (XU7JP4)
	2.0 16V	09.97 - 04.02	97	RFV (XU10J4R)
306 CC (7A, 7C, N3, N5)	1.8 16V	09.97 - 05.01	81	LFY (XU7JP4)
	2.0 16V	09.97 - 05.01	97	RFV (XU10J4R)
406 (8B)	1.8 16V	09.97 - 10.00	81	LFY (XU7JP4)
	2.0 16V	09.97 - 03.99	97	RFV (XU10J4R)
406 Break (8E/F)	1.8 16V	09.97 - 10.00	81	LFY (XU7JP4)
	2.0 16V	09.97 - 04.04	97	RFV (XU10J4R)
406 Coupe (8C)	2.0 16V	05.97 - 04.99	97	RFV (XU10J4R)
605 (6B)	2.0 16V	09.97 - 09.99	97	RFV (XU10J4R)
806 (221)	2.0 16V	05.98 - 09.00	97	RFV (XU10J4R)



DACIA				
Logan (LS_)	1.4 MPI LPG	02.06 -	55	K7J 714/K7J 710
	1.6	09.04 -	64	K7M 710
	1.6 MPI 85	05.10 -	62	K7M 800
Logan Express (FS_)	1.4	03.09 -	55	K7J 710
	1.6	03.09 -	64	K7M 710
	1.6 MPI 85	05.10 -	62	K7M 800
Logan MCV (KS_)	1.4	02.07 -	55	K7J 710
	1.6	02.07 -	64	K7M 710
	1.6 MPI 85	05.10 -	62	K7M 800
	1.6 Bifuel	11.08 -	64	K7M 710
Logan Pick-up (US_)	1.4	01.09 -	55	K7J 710
	1.6	03.08 -	64	K7M 710
Sandero	1.4	06.08 -	55	K7J 710
	1.4 MPI LPG	01.09 -	53	K7J 714
	1.6	06.08 -	64	K7M 710
Solenza	1.6 MPI 85	05.10 -	62	K7M 800
	1.4	02.03 -	55	

NISSAN				
Kubistar (X76)	1.2	08.03 -	44	D7F 764
	1.2 16V	04.06 -	55	D4F 712
	1.6 16V	08.03 -	70	K4M 752
Kubistar Van	1.2	08.03 -	44	D7F 764

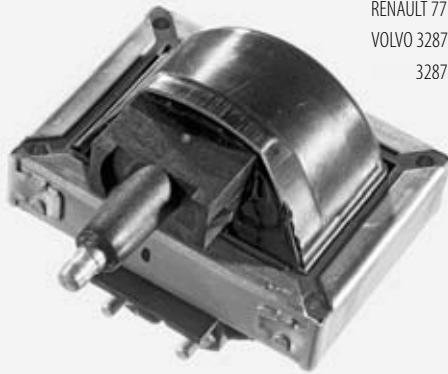
CL116				
NISSAN				
Kubistar Van	1.2 16V	04.06 -	55	D4F 712
	1.6 16V	08.03 -	70	K4M 752
Primastar Bus (X83)	2.0	03.01 -	88	F4R 722/F4R 720
Primastar Van (X83)	2.0	02.03 -	88	F4R 720
RENAULT				
Clio II	1.2	09.98 -	43	D7F 710/-766/-720/-726
	1.2	03.99 - 05.01	44	D7F 722
Clio II Van (S80/1/2_)	1.2	03.99 - 10.03	44	D7F 726/D7F 746
Kangoo (KCO/1_)	1.2	08.97 -	43	D7F 710/-744/-722/-720/-726
Kangoo Express	1.2	08.97 -	43	D7F 710/-744/-722/-720/-726
	1.2	07.98 - 07.01	44	D7F 766/D7F 764
Logan (LS_)	1.4	09.04 -	55	K7J 710
	1.6	09.04 -	64	K7M 710
Logan Combi (KS_)	1.4	10.07 -	55	K7J 710
	1.6	04.07 -	64	K7M 710
Megane I (BA0/1_)	1.4 e	01.96 - 02.99	55	E7J 626/E7J 764
	1.6 e	01.96 - 03.99	66	K7M 702/K7M 703/K7M 790
Megane I Classic (LA0/1_)	1.6 e	09.96 - 03.99	66	K7M 702/K7M 703/K7M 790
Megane I Grandtour	1.4 e	03.99 -	55	E7J 626
	1.6 e	03.99 -	66	K7M 702/K7M 703
Megane I Coach (DA0/1_)	1.6 e	03.96 - 03.99	66	K7M 702/K7M 703
	2.0 16V IDE	11.99 - 08.03	103	F5R 740
Megane I Cabrio (EA0/1_)	1.6 e	10.96 - 03.99	66	K7M 702/K7M 703
	1.6 i	09.97 - 09.99	55	K7M 720
	2.0 16V IDE	11.99 -	103	F5R 740
Megane Scenic (JA0/1_)	1.6 e	09.97 - 09.99	66	K7M 702/K7M 703
Modus (F/JPO_)	1.2 16V	05.07 -	74	D4F 784
Thalia (LBO/1/2_)	1.4	08.00 -	55	K7J 700
Twingo (C06_)	1.2	10.98 -	40	D7F 700/D7F 701
	1.2	07.96 - 06.07	43	D7F 700/-702/-704/-701/-703
	1.2	03.07 -	43	D7F 800
	1.2 Turbo	03.07 -	74	D4F 780
	1.6 RS	05.08 -	98	K4M 854
Vel Satis (BJ0_)	3.5 V6	06.02 -	177	V4Y 701/V4Y 711



CL118

SAE

OEM-No.

 RENAULT 77 01 031 135
 VOLVO 3287677
 32876773


number of connectors: 2

RENAULT

Clio I (B/C57_, 5/357_)	1.2	01.91 - 01.96	40	E7F 706
	1.2	05.90 - 09.98	43	E7F 750/E7F 700/E7F 708
	1.2	05.90 - 03.96	44	E5F 710
	1.4	01.91 - 09.98	55	E7J 756/E7J 757
	1.4	01.91 - 09.98	59	E7J 710 /E7J 711
	1.8	01.91 - 09.98	65	F3P 710 /F3P 714
	1.8	08.90 - 04.96	66	F3P 755
	1.8	08.94 - 09.98	66	F3P 755 /F3P 754
	1.8 Rsi	08.95 - 09.98	79	F3P 758
	1.8 Rsi	01.93 - 08.95	80	F3P 712
	1.8 16V	01.91 - 03.96	99	F7P 722
	2.0 Williams	01.94 - 09.98	108	F7R 700
	Espace I (J11_)	2.0	01.88 - 12.90	74
2.0		09.84 - 12.87	80	J6R 234/J6R 236
2.0 i		01.89 - 12.90	87	J7R 760
2.0 i Quadra		03.88 - 12.92	87	J7R 760
2.2		07.86 - 12.90	79	J7T 770
2.2 Quadra		01.88 - 12.90	79	J7T 770
Espace II (J/S63_)	2.0	01.91 - 10.96	76	J7R 768
	2.2	01.91 - 10.96	79	J7T 772/J7T 776/J7T 773
	2.2 4x4	03.91 - 12.96	79	J7T 772/J7T 773
	2.8 V6	01.91 - 10.96	110	Z7W 717/Z7W 712/Z7W 713
Laguna I (B56_, 556_)	1.8	11.93 - 03.01	66	F3P 720/F3P 724
	2.0	11.93 - 03.01	83	F3R 722/F3R 723
Laguna Grandtour (K56_)	2.0	09.95 - 03.01	83	F3R 722/F3R 723
	Megane I (BA0/1_)	1.4 Eco	01.96 - 03.99	52
Megane Scenic (JA0/1_)	1.4 e	02.99 -	55	E7J 626/E7J 764
	1.4 i	01.97 - 09.99	55	E7J 764
Rapid Van (F40_, G40_)	1.4	07.85 - 08.91	43	C1J 780/C1J 768
	1.4 cat	08.88 - 03.98	43	C3J 762/-700/-702/C3J 760
	1.4	03.86 - 08.91	44	C2J 784
Safrane I (B54_)	2.0 12V	04.92 - 07.96	97	J7R 735/J7R 734
	2.2	04.92 - 07.96	79	J7T 762
	2.2	04.92 - 07.96	101	J7T 760/J7T 761
	3.0 V6	12.92 - 07.96	123	Z7X 721/Z7X 723/Z7X 722
	3.0 V6 4x4	12.92 - 07.96	123	Z7X 721/Z7X 723/Z7X 722
	3.0 Biturbo 4x4	02.93 - 07.96	193	Z7X 726
Safrane II (B54_)	2.9 24V	03.99 - 12.00	140	L7X 713
	3.0 V6	07.96 - 12.00	123	Z7X 721/Z7X 723/Z7X 722
Super 5 (B/C40_)	1.4	10.84 - 06.88	43	C1J 780/C1J 768
	1.4 cat	10.85 - 12.96	43	C3J 700/C3J 702/C3J 760
	1.4	06.87 - 08.90	44	C2J 784
	1.4	06.87 - 07.89	49	C2J 782
	1.4	10.84 - 07.89	52	C2J 789/-700/-780/-781/-788
	1.4 Turbo	04.85 - 08.90	88	C1J 784/C1J 782/C1J 788
	1.7	10.86 - 03.95	54	F3N 716 /F3N 717

CL118
RENAULT

Super 5 (B/C40_)	1.7	06.87 - 03.95	64	F2N 742/F2N 740	
	1.7 i	10.86 - 08.91	69	F3N 722/F3N 702	
9 (L42_)	1.7	10.86 - 12.88	54	F3N 718	
	1.7	10.86 - 12.88	55	F2N 730	
	1.7	10.86 - 12.88	65	F2N 798/F2N 710/F2N 708	
	1.7	06.87 - 12.88	69	F3N 708	
11 (B/C37_)	1.4	03.83 - 12.88	44	C1J 715/C2J 730	
	1.4	03.83 - 12.88	49	C2J 766/-720/-768/C2J 767	
	1.4	03.83 - 12.85	50	C2J 757/C2J 718	
	1.4	05.83 - 12.85	53	C2J 717/C2J 755	
	1.4 Turbo	04.84 - 12.86	77	C1J 764/C1J 760	
	1.4 Turbo	10.86 - 12.88	85	C1J 770/C1J 782	
	1.7	10.86 - 12.88	54	F2N 730	
18 (134_)	1.7	10.84 - 12.88	55	F3N 718	
	1.7	10.83 - 12.87	59	F2N 704/F2N 700	
	1.7	06.87 - 12.88	64	F2N 732/F2N 742	
	1.7	10.86 - 12.88	65	F2N 798/F2N 710/F2N 708	
	1.7	06.87 - 12.88	69	F3N 708	
	2.2 i	06.84 - 07.86	76		
	19 I (B/C53_)	1.4	01.88 - 12.92	59	E6J 701/E6J 700
		1.4	01.89 - 12.89	43	C2J 772
		1.4 cat	01.89 - 04.92	43	C3J 710
		1.7	09.88 - 04.92	54	F3N 741/F3N 740
1.7		09.88 - 04.92	66	F3N 743/F3N 742	
1.8 16V		06.89 - 04.92	99	F7P 704	
19 I Chamade (L53_)		1.4	07.88 - 04.92	43	C3J 710/C2J 772
1.7	07.88 - 04.92	66	F3N 743/F3N 742		
1.7	08.88 - 12.92	79	F3N 746		
1.8 16V	10.89 - 04.92	99	F7P 704		
19 II (B/C53_)	1.4	04.92 - 12.95	43	C3J 710	
	1.4	01.92 - 12.95	55	E7J 742	
	1.4	01.92 - 12.95	59	E7J 706/E6J 700	
	1.7	04.92 - 12.95	54	F3N 741/F3N 740	
	1.7	04.92 - 12.95	66	F3N 743	
	1.8	04.92 - 12.95	65	F3P 706/-707-760/F3P 708	
	1.8	04.92 - 12.95	66	F3P 706/F3P 760	
	1.8	04.92 - 05.94	81	F3P 700	
	1.8 16V	04.92 - 12.95	99	F7P 704	
	19 II Chamade (L53_)	1.4	04.92 - 12.95	43	C3J 710
1.4	11.93 - 12.95	55	E7J 742		
1.4	10.94 - 11.95	57	E6J 700		
1.7	04.92 - 12.95	54	F3N 741/F3N 740		
1.7	05.92 - 11.95	55	F3N 741/F3N 740		
1.7	04.92 - 12.95	66	F3N 743/F3N 742		
1.7	01.93 - 08.95	68	F2N 720/F2N 721		
1.8	04.92 - 12.95	65	F3P 704/-706/-707/-760/-708		
1.8	04.92 - 12.95	66	F3P 706/F3P 760		
1.8	05.92 - 09.94	67	F3P 765		
1.8	05.92 - 11.95	79	F3P 706/F3P 700		
1.8	04.92 - 05.94	81	F3P 700		
1.8 16V	04.92 - 12.95	99	F7P 704		
19 II Cabrio (D53_, 853_)	1.7	04.92 - 09.93	66	F3N 743/F3N 742	
	1.8	04.92 - 06.96	65	F3P 704/-706/-707/-760/-708	
	1.8	09.93 - 06.96	66	F3P 706/F3P 760	
	1.8	07.94 - 06.96	79	F3P 765/F3P 682/F3P 764	
	1.8 16V	04.92 - 06.96	99	F7P 704	
21 (B48_)	1.7	09.89 - 10.92	54	F3N 726	
	1.7	09.89 - 06.94	66	F3N 723/F3N 722	
	2.0	02.90 - 10.92	99	J7R 740	
	2.0 4x4	09.90 - 10.92	99	J7R 740	

CL118

CL118					
RENAULT					
21 (B48_)	2.2	09.89 - 06.94	79	J7T 754/J7T 755	
	2.2 4x4	07.90 - 06.94	79	J7T 754/J7T 755	
21 Sedan (L48_)	1.7	07.86 - 02.94	54	F3N 726 /F2N 750	
	1.7	03.86 - 12.87	55	F2N 712	
	1.7	06.87 - 04.89	64	F2N 752	
	1.7	03.86 - 03.93	65	F2N 710	
	1.7	09.89 - 02.94	66	F3N 723/F3N 722	
	1.7	03.86 - 02.94	69	F3N 723/F3N 722	
	2.0	04.88 - 06.89	76	J6R 793/J6R 792	
	2.0	05.91 - 10.93	78	J6R 758	
	2.0	03.86 - 12.88	85	J7R 750/J7R 751	
	2.0	03.86 - 12.93	88	J7R 747/J7R 746	
	2.0	02.90 - 06.94	99	J7R 740	
	2.0 4x4	12.89 - 02.94	99	J7R 740	
	2.0 Turbo	02.90 - 10.92	119	J7R 756	
	2.0 Turbo 4x4	02.90 - 10.92	119	J7R 756	
	2.0 Turbo	04.87 - 03.90	129	J7R 752	
	2.0 Turbo 4x4	08.89 - 10.93	129	J7R 752	
	2.2	07.86 - 02.94	79	J7T 754/J7T 755	
	2.2 4x4	07.90 - 02.94	79	J7T 754/J7T 755	
	21 Combi (K48_)	1.7	06.86 - 12.89	54	F2N 750
1.7 cat		05.88 - 06.93	54	F3N 726	
1.7		06.86 - 03.93	55	F2N 712	
1.7		06.87 - 04.89	64	F2N 752	
1.7		10.86 - 12.88	65	F2N 710	
1.7		06.86 - 12.89	69	F3N 723/F3N 722	
2.0		06.86 - 12.88	85	J7R 750/J7R 751	
2.0		06.90 - 02.94	99	J7R 740	
2.2		06.86 - 11.93	79	J7T 754/J7T 755	
2.2 4x4		06.86 - 12.93	79	J7T 754/J7T 755	
25 (B29_)		2.0	04.84 - 12.92	74	J6R 763/-707/-760/-706/-762
		2.0 12V	06.89 - 12.92	99	J7R 726
		2.0 12V	06.88 - 12.93	103	J7R 721/J7R 720
	2.2	11.85 - 03.89	76		
	2.2	09.86 - 12.92	79	J7T 708/J7T 733 /J7T 732	
	2.2	04.84 - 12.89	89	J7T 707-706/-714/J7T 715	
	2.2	04.84 - 12.89	91	J7T 730/J7T 731	
	2.4 V6 Turbo	10.84 - 05.90	133	Z7U 702	
	2.5 V6 Turbo	01.90 - 12.92	151	Z7U 700	
	2.8 V6 Injection	06.87 - 12.92	110	Z7W 706/Z7W 707/Z7W 709	
	2.8 V6	06.87 - 02.90	115	Z7W 700	
	Trafic Bus (T5, T6, T7)	1.7	06.86 - 04.89	50	F1N 724
		2.0	06.86 - 04.89	59	J5R 722/J5R 716/J5R 726
2.0 4x4		06.86 - 04.89	59	J5R 722/J5R 716/J5R 726	
Trafic Van (T1, T3, T4)	1.7	06.86 - 04.89	50	F1N 724	
	2.0	06.86 - 04.89	59	J5R 722/J5R 716/J5R 726	
	2.0 4x4	06.86 - 04.89	59	J5R 722/J5R 716/J5R 726	
Trafic Flatbed (P6)	1.7	06.86 - 04.89	50	F1N 722	
	2.0	03.80 - 04.89	59	J5R 726	
Trafic Bus (TXW)	1.7	08.92 - 08.94	50	F1N 724	
	2.0	05.89 - 08.90	59	J5R 726	
	2.2	05.89 - 06.94	70	J7T 780	
	2.2 4x4	05.89 - 06.94	70	J7T 780	
	2.2	06.94 - 10.97	74	J7T 600	
Trafic Van (TXX)	1.7	08.92 - 08.94	50	F1N 720	
	2.0	05.89 - 08.90	59	J5R 716	
	2.2	05.89 - 06.94	70	J7T 780	
	2.2 4x4	05.89 - 06.94	70	J7T 780	
	2.2 4x4	06.94 - 10.97	74	J7T 600	
Trafic Flatbed (PXX)	1.7	05.89 - 08.94	50	F1N 722	

CL118					
RENAULT					
Trafic Flatbed (PXX)	2.0 RWD	05.89 - 10.97	59	J5R 726	
	2.0	03.89 - 12.91	60	J5R 726	
	2.2	05.89 - 06.94	70	J7T 780	
	2.2	09.94 - 04.98	74	J7T 600	
	2.2 4x4	09.94 - 04.98	74	J7T 600	
Master I 28-35 Bus	2.0	10.86 - 07.98	58	J5R 718	
Master I 28-35 Van	2.0	10.86 - 07.98	58	J5R 718	
VOLVO					
340-360 (343, 345)	1.4	08.82 - 08.85	46	B 14.3 E	
	1.4	08.86 - 12.88	50	B 14.4 S	
	1.4	08.87 - 07.88	51	B 14.4 S	
	1.7	08.85 - 07.91	59	B 17.2 K	
	2.0	08.84 - 07.87	77	B 200 K	
	2.0	08.88 - 07.89	80	B 200 F	
	2.0	08.87 - 07.88	81	B 200 F	
	2.0	08.86 - 07.88	82	B 200 E/B 200 F	
	2.0	08.84 - 07.86	87	B 200 E	
	340-360 Sedan (344)	1.4	08.87 - 07.88	51	B 14.4 S
		1.7	08.85 - 07.91	59	B 17.2 K
		2.0	08.84 - 07.90	75	B 200 K
		2.0	08.84 - 07.87	77	B 200 K
2.0		08.87 - 07.88	81	B 200 EA	
2.0		08.86 - 07.88	82	B 200 EA	
2.0		08.84 - 07.86	85	B 200 E	
2.0		08.84 - 07.86	87	B 200 E	
440 K (445)	1.6	09.88 - 12.96	61	B 16 F	
	1.7	09.88 - 12.96	64	B 18 KP	
	1.7	08.88 - 07.89	70	B 18 F	
	1.7	08.89 - 12.96	75	B 18 FP	
	1.8	09.95 - 12.96	66	B 18 U	
	1.8	08.91 - 07.96	66	B 18 U	
	2.0	08.93 - 07.96	80	B 20 F	
	2.0	08.92 - 07.95	81	B 20 F	
460 L (464)	1.6	07.92 - 07.96	61	B 16 F	
	1.7	09.88 - 07.96	64	B 18 KP	
	1.7	08.89 - 07.92	75	B 18 EP	
	1.8	08.91 - 07.96	66	B 18 U	
	2.0	08.93 - 07.96	80	B 20 F	
	2.0	08.92 - 07.95	81	B 20 F	
480 E	1.7	08.87 - 07.89	70	B 18 F	
	1.7	08.89 - 07.96	75	B 18 EP	
	1.7	04.86 - 07.89	78	B 18 E	
	1.7	08.86 - 07.88	80	B 18 E	
	2.0	08.92 - 09.95	81	B 20 F	

CL119	
PIN	OEM-No.
	RENAULT 74 01 275 174
	VOLVO 1275174

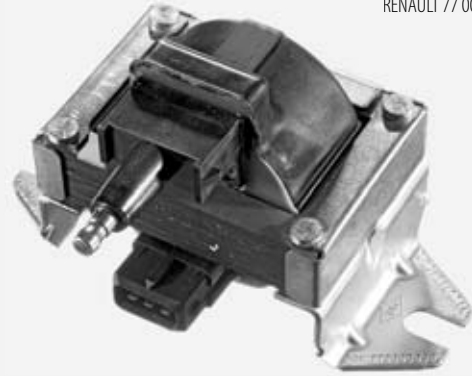
CL119					
RENAULT					
Safrane II (B54_)	2.5 20V	07.96 - 12.00	121	N7U 700/N7U 701	
VOLVO					
S70 (P80_)	2.0	01.97 - 11.00	93	B 5202 S	
	2.0	01.97 - 11.00	105	B 5204 F	
	2.0	01.97 - 11.00	132	B 5204 T2	
	2.0 Turbo	01.97 - 11.00	155	B 5204 T	
	2.3 T5	01.97 - 07.98	176	B 5234 T3	
	2.3 Turbo	01.97 - 11.00	184	B 5234 FT+	
	2.4 Turbo	01.97 - 07.98	142	B 5254 T/B 5244 T	
	2.4 AWD	11.96 - 05.99	106	B 5252 FS	
	2.5	01.97 - 11.00	106	B 5252 S	
	2.5 Bifuel	10.98 - 11.00	106	GB 5252 S	
	2.5	06.98 - 11.00	121	B 5254 S	
	C70 I Coupe	2.0	03.97 - 09.02	132	B 5204 T2
		2.0 T	03.97 - 07.98	166	B 5204 T3
2.3 T5		03.97 - 07.98	176	B 5234 T3	
2.5 T		03.97 - 09.02	142	B 5254 T/B 5244 T	
C70 I Cabriolet	2.0	03.98 - 10.05	132	B 5204 T2	
V70 I Combi (P80_)	2.0	01.97 - 03.00	93	B 5202 S	
	2.0	01.97 - 03.00	105		
	2.0	01.97 - 03.00	132	B 5204 T2	
	2.0 Turbo	01.97 - 07.98	155	B 5204 T	
	2.0 Turbo	01.97 - 07.98	166	B 5204 T3	
	2.0 Turbo AWD	01.97 - 07.98	166	B 5204 T3	
	2.3 T5	01.97 - 07.98	176	B 5234 T3	
	2.3 T5 AWD	01.97 - 07.98	176	B 5234 T3	
	2.3 AWD	04.97 - 07.98	177	B 5234 T3	
	2.3 Turbo	01.97 - 03.00	184	B 5234 FT+	
	2.3 T AWD	04.97 - 03.00	184	B 5234 FT+	
	2.4 Turbo	01.97 - 07.98	142	B 5254 T/B 5244 T	
	2.5	01.97 - 03.00	106	B 5252 S	
	2.5 Bifuel	10.98 - 08.99	106	GB 5252 S	
2.5	06.98 - 03.00	121	B 5254 S		
2.5 Turbo AWD	01.97 - 07.98	142	B 5254 T/B 5244 T		
850 (LS)	2.0	08.94 - 12.96	93	B 5202 S	
	2.0	06.91 - 12.96	105	B 5204 F	
	2.0 Turbo	08.93 - 12.96	155	B 5204 T/B 5204 FT	
	2.3 T5	08.93 - 07.96	166	B 5234 FT	
	2.3 T5-R	08.95 - 12.96	184	B 5234 T4	
	2.5	06.91 - 07.94	103	B 5252	
	2.5	08.94 - 12.96	106	B 5252 S	
	2.5	08.91 - 12.96	125	B 5254 S	
	2.5	08.94 - 12.96	103	B 5202 S	
850 Combi (LW)	2.0	02.93 - 12.96	105	B 5204 F	
	2.0 Turbo	02.93 - 12.96	155	B 5204 T/B 5204 FT	
	2.3 T5	02.93 - 12.96	166	B 5234 FT	
	2.3 T5-R	08.95 - 12.96	184	B 5234 T4	
	2.5	08.92 - 07.94	103	B 5252	
	2.5	08.94 - 12.96	106	B 5252 S	
	2.5	09.92 - 12.96	125	B 5254 S	
	2.5 AWD	04.96 - 12.96	142	B 5254 T	

CL120				
				OEM-No.
				PSA 9654347080
				5970 90
				5970 97
				
color of socket: grey				
CITROEN				
Berlingo (MF)	1.4 i	07.96 -	55	KFX (TU3JP)/KFW (TU3JP)
Berlingo Van (M_)	1.4 i	07.96 -	55	KFX (TU3JP)/KFW (TU3JP)
C2 (JM_)	1.4	09.03 -	54	KFV (TU3JP)
C3 Pluriel (HB_)	1.4	05.03 -	54	KFV (TU3JP)
C3 II	1.4	11.09 -	54	KFT (TU3A)
Nemo Combi	1.4	04.09 -	54	KFV (TU3A)
Nemo Van (AA_)	1.4	02.08 -	54	KFV (TU3A)
PEUGEOT				
1007 (KM_)	1.4	04.05 -	54	KFV (TU3JP)
206 CC (2A/C)	1.4 i	09.98 -	55	KFX (TU3JP)/KFW (TU3JP)
206 Sedan	1.4	03.07 -	55	KFV (TU3A)/KFW (TU3JP)
206+ (T3E)	1.1	01.09 -	44	HFV (TU1A)/HFV (TU1JP)/TU1AES
	1.4 i	01.09 -	55	KFV (TU3A)/KFW (TU3A)
207 (WA_, WC_)	1.4	02.06 -	53	KFV (TU3A)
207 SW (WK_)	1.4	06.07 -	54	KFV (TU3A)
Bipper (AA_)	1.4	02.08 -	54	KFV (TU3A)
Bipper Tepee	1.4	04.08 -	54	KFV (TU3A)
Partner Combispac (5F)	1.4	09.05 -	55	KFX (TU3JP)/KFW (TU3JP)
CL121				
				OEM-No.
				VOLVO 9125601
				30713416
				
1 coil per cylinder				
VOLVO				
S60	2.0 T	09.01 - 07.04	132	B 5204 T5
	2.4	11.00 -	103	B 5244 S2
	2.4 Bifuel	06.02 -	103	B 5244 SG2
	2.4	11.00 -	125	B 5244 S
	2.4 T5	11.00 -	184	B 5234 T3
	2.5 T	02.04 -	154	B 5254 T2
	2.5 T AWD	04.04 -	154	B 5254 T2
	S70 (P80_)	2.0	01.97 - 11.00	120
2.0 Turbo		01.97 - 11.00	166	B 5204 T3
2.3 T5		08.98 - 11.00	176	B 5234 T3
2.3		04.99 - 07.00	195	B 5234 T7

CL121				
VOLVO				
S70 (P80_)	2.4	08.99 - 11.00	103	B 5244 SG/B 5244 S2
	2.4 AWD	04.99 - 09.00	103	B 5244 S2
	2.4 AWD	10.98 - 05.99	121	
	2.4	01.97 - 11.00	125	B 5244 S/B 5254 S
	2.4 AWD	04.99 - 09.00	125	B 5244 S
	2.4 Turbo	08.98 - 11.00	142	B 5254T/B 5244T
	2.4T5 AWD	08.98 - 04.99	142	B 5254T
	2.5 Bifuel	07.99 - 11.00	103	B 5244 SG
	2.5	05.99 - 09.02	125	B 5244 S/B 5254 S
C70 I Coupe	2.0T	03.00 - 09.02	120	B 5204T4
	2.0T	08.98 - 09.02	166	B 5204T3
	2.3T5	08.98 - 09.02	176	B 5234T3
	2.5	03.99 - 09.02	121	B 5254 S
	2.5	05.99 - 09.02	125	B 5244 S/B 5254 S
C70 I Cabriolet	2.0T	03.00 - 10.05	120	B 5204T4
	2.0T	03.98 - 10.05	166	B 5204T3
	2.3T5	03.98 - 10.05	176	B 5234T3
	2.3T5	07.02 - 10.05	180	B 5234T9
	2.4T	07.02 - 10.05	147	B 5244T7
	2.5	06.98 - 10.05	125	B 5254 S
V70 I Combi (P80_)	2.0	01.97 - 03.00	120	B 5204T4
	2.0 Turbo	08.98 - 03.00	155	B 5204T
	2.0 Turbo	08.98 - 03.00	166	B 5204T3
	2.0 Turbo AWD	08.98 - 03.00	166	B 5204T3
	2.3T5	08.98 - 03.00	176	B 5234T3
	2.3T5 AWD	08.98 - 03.00	176	B 5234T3
	2.3 AWD	08.98 - 09.98	177	B 5234T3
	2.4	08.99 - 05.00	103	B 5244 SG2/B 5244 S2
	2.4 Bifuel	08.99 - 03.00	103	B 5244 SG
	2.4 AWD	10.98 - 05.99	121	
	2.4	01.97 - 05.00	125	B 5254 S
	2.4 Turbo	08.98 - 03.00	142	B 5254T/B 5244T
	2.5 Turbo AWD	08.98 - 05.00	142	B 5254T/B 5244T
	V70 II Combi (P80_)	2.0T	07.01 -	132
2.3T5		03.00 -	184	B 5234T3/B 5234T4
2.4		03.00 -	103	B 5244 S2
2.4 Bifuel		09.01 -	103	B 5244 SG
2.4		03.00 -	125	B 5244 S
2.4T		03.00 -	147	B 5244T3
2.4T AWD		09.01 -	147	B 5244T3
2.5T		04.04 -	154	B 5254T2
2.5T AWD		09.02 -	154	B 5254T2
XC70 Cross Country	2.4T XC AWD	11.97 - 09.02	142	B 5254T
	2.4T XC AWD	03.00 - 09.02	147	B 5244T3
	2.5T XC AWD	09.02 -	154	B 5254T2
S80 (TS, XY)	2.0	06.98 - 07.06	120	B 5204T4
	2.0T	12.99 - 07.04	132	B 5204T5
	2.0T	06.98 - 07.06	166	B 5204T3
	2.4	01.99 - 07.06	103	B 5244 S2
	2.4 Bifuel	09.01 - 07.06	103	B 5244 SG2
	2.4	01.99 - 07.06	125	B 5244 S
	2.4T	06.00 - 07.06	147	B 5244T3
	2.4T5 AWD	04.00 - 09.03	147	B 5244T3
	2.5T	03.03 - 07.06	154	B 5254T2
	2.5T AWD	07.03 - 07.06	154	B 5254T2
	2.8T6	05.98 - 07.06	200	B 6284T
	3.0	06.01 - 07.06	144	B 6294 S2
	2.9	03.99 - 07.06	147	B 6294 S
	2.9	05.98 - 07.06	150	B 6304 S3
3.0T6	06.01 - 07.06	200	B 6294T	

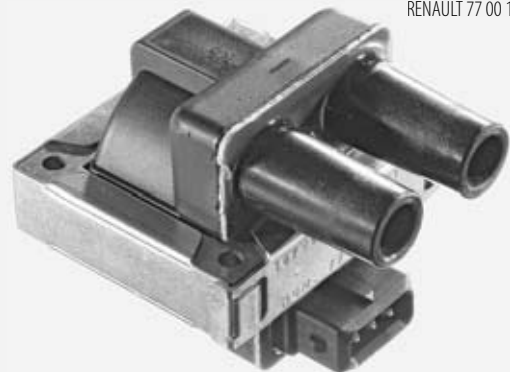
CL121				
VOLVO				
XC 90	2.5T	10.02 -	154	B 5254T2
	3.0T6	10.02 -	200	B 6294T

CL122	
SAE	OEM-No.
	RENAULT 77 00 749 450



RENAULT				
19 II (B/C53_)	1.8	05.94 - 12.95	79	F3P 765/F3P 682
19 II Chamade (L53_)	1.8	05.94 - 12.95	79	F3P 682
Clio I (B/C57_, 5/357_)	1.2	01.96 - 12.96	40	C3G 720
Rapid Van (F40_, G40_)	1.2	09.91 - 03.98	40	C3G 712/C3G 710
Twingo (C06_)	1.2	03.93 - 10.96	40	C3G 702/C3G 700

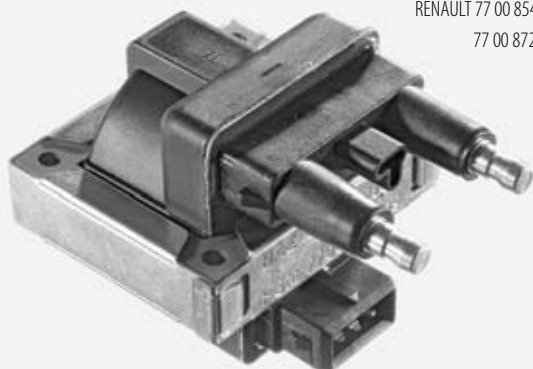
CL123	
PIN	OEM-No.
	RENAULT 77 00 107 269



RENAULT				
Espace III (JE0_)	2.0	04.97 - 10.00	84	F3R 769/-728/-742/-729/-768
Laguna I (B56_, 556_)	1.8	04.97 - 03.01	66	F3P 678/F3P 670
		04.97 - 02.01	69	F3P 674
		03.99 - 03.01	80	F3R 611
		04.97 - 02.01	84	F3R 768
Laguna Grandtour (K56_)	1.8	04.97 - 03.01	66	F3P 678/F3P 670
Megane I (BA0/1_)	2.0 i	03.99 -	80	F3R 751/F3R 750
		03.97 - 02.99	84	F3R 751/F3R 750
		07.96 -	108	F7R 710/F7R 714
Megane I Classic (LA0/1_)	2.0 i	09.98 -	84	
		09.98 - 08.03	84	F3R 751/F3R 750
Megane I Coach (DA0/1_)	2.0 i	04.97 -	84	F3R 750
		03.99 -	80	F3R 791/F3R 796
Megane I Cabrio (EA0/1_)	2.0 i	01.99 - 09.99	80	F3R 796
		01.97 - 09.99	84	F3R 751/F3R 750

CL124

SAE	OEM-No.
	RENAULT 77 00 854 306
	77 00 872 265



color of socket: black

RENAULT

Espace III (JEO_)	2.0	11.96 - 10.00	84	F3R 769/-728/-742/-729/-768
	3.0	11.96 - 10.98	123	Z7X 775
Laguna I (B56_556_)	1.8	08.95 - 03.01	66	F3P 678/F3P 670
	1.8	06.95 - 04.97	69	F3P 674
	2.0	06.95 - 04.97	84	F3R 768
	3.0	11.93 - 03.01	123	Z7X 765/Z7X 760
	3.0 24V	03.97 - 03.01	140	L7X 700/L7X 701
Laguna Grandtour (K56_)	1.8	09.95 - 03.01	66	F3P 678/F3P 670
	3.0	02.96 - 03.01	123	Z7X 765
Megane I (BA0/1_)	2.0i	01.96 - 03.97	84	F3R 751/F3R 750
Megane I Classic (LA0/1_)	2.0i	04.97 -	84	F3R 791/-751/-797/-798/-796
Megane I Coach (DA0/1_)	2.0i	04.97 - 08.03	84	F3R 751/F3R 750
Megane I Cabrio (EA0/1_)	2.0i	04.97 -	84	F3R 750
	2.0i	03.99 -	80	F3R 791/F3R 796
Megane Scenic (JA0/1_)	2.0i	01.99 - 09.99	80	F3R 796
	2.0i	01.97 - 09.99	84	F3R 751/F3R 750

CL125

SAE	OEM-No.
	RENAULT 77 00 854 307
	77 00 872 692



color of socket: grey

RENAULT

Espace III (JEO_)	3.0	11.96 - 10.98	123	Z7X 775
Laguna I (B56_556_)	3.0	11.93 - 03.01	123	Z7X 765/Z7X 760
Laguna Grandtour (K56_)	3.0	02.96 - 03.01	123	Z7X 765

CL126

SAE	OEM-No.
	RENAULT 7700858320
	7700872693



color of socket: brown

RENAULT

Espace III (JEO_)	3.0	11.96 - 10.98	123	Z7X 775
Laguna I (B56_556_)	3.0	11.93 - 03.01	123	Z7X 765/Z7X 760
Laguna Grandtour (K56_)	3.0	02.96 - 03.01	123	Z7X 765

CL127

OEM-No.
PSA 96213086
9621308680
5970 56



color of socket: black

CITROEN

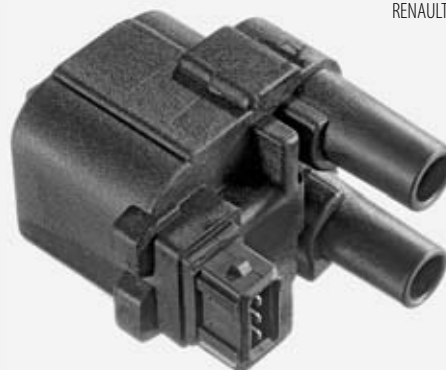
Saxo (S0, S1)	1.6 VTS	06.96 - 09.03	87	NFX (TU5JP4)
---------------	---------	---------------	----	--------------

PEUGEOT

106 II (1)	1.6 516	05.96 -	87	NFX (TU5J4)
------------	---------	---------	----	-------------

CL128

PIN	OEM-No.
	RENAULT 77 00 100 589



for cylinder 1 & 4 (CL102: 2 & 3)

RENAULT

Clio II	1.4	09.98 - 05.05	55	K7J 710/E7J 780
	1.6	09.98 - 05.05	66	K7M 744/K7M 745
Kangoo (KCO/1_)	1.4	08.97 -	55	E7J 634/-635/-780/K7J 701
Kangoo Express (FCO/1_)	1.4	08.97 -	55	E7J 634/-635/-780/K7J 701
Megane I (BA0/1_)	1.6i	04.97 - 03.99	55	K7M 720
	1.6 e	04.97 - 03.99	66	K7M 702/K7M 703/K7M 790

CL128

CL128					
RENAULT					
Megane I Classic (LA0/1_)	1.6 e	04.97 - 03.99	66	K7M 702/K7M 703/K7M 790	
Megane I Coach (DA0/1_)	1.6 e	04.97 - 03.99	66	K7M 702/K7M 703	
Megane I Cabrio (EA0/1_)	1.6 e	04.97 - 03.99	66	K7M 702/K7M 703	
Megane Scenic (JA0/1_)	1.6 i	04.97 - 09.99	55	K7M 720	
	1.6 e	04.97 - 09.99	66	K7M 702/K7M 703	

CL129	
SAE	OEM-No.
	FIAT 9604137880
	PSA 96 041 378
	5970 47




CITROEN					
XM (Y3)	2.0 i	05.89 - 04.94	79	RDZ (XU10MZ)	
	3.0V6	05.89 - 06.94	123	UFZ (ZPJ/Z)/SFZ (ZPJ/Z)	
	3.0V6 24V	07.90 - 06.94	147	UKZ (ZPJ4/Z)/SKZ (ZPJ4/Z)	
XM Break (Y3)	2.0 i	11.91 - 04.94	79	RDZ (XU10MZ)/XU102C	
	3.0V6	11.91 - 04.94	123	UFZ (ZPJ/Z)/SFZ (ZPJ/Z)	
XM (Y4)	3.0V6	05.94 - 10.00	123	UFZ (ZPJ/Z)/SFZ (ZPJ/Z)	
	3.0V6 24V	05.94 - 10.00	147	UKZ (ZPJ4/Z)/SKZ (ZPJ4/Z)	
XM Break (Y4)	3.0V6	05.94 - 10.00	123	UFZ (ZPJ/Z)/SFZ (ZPJ/Z)	
	3.0V6	05.94 - 10.00	123	UFZ (ZPJ/Z)/SFZ (ZPJ/Z)	
Jumper Bus (230P)	2.0	02.94 - 04.02	80	RFW (XU10J2U)	
	2.0 4x4	08.96 - 04.02	80	RFW (XU10J2U)	
Jumper Van (230L)	2.0	03.94 - 04.02	80	RFW (XU10J2U)	
Jumper Flatbed (230)	2.0	03.94 - 04.02	80	RFW (XU10J2U)	

FIAT			
Ducato Bus (230)	2.0 Panorama	03.94 - 04.02	80 RFW
Ducato Van (230L)	2.0	03.94 - 04.02	80 RFW

PEUGEOT			
605 (6B)	2.0	02.90 - 09.99	79

CL130	
	OEM-No.
	RENAULT 82 00 025 256
	82 00 051 128
	82 00 084 401



lengths of cables: 63-55-38-44 cm

RENAULT					
Clio II	1.2	06.01 - 10.03	55		
	1.2 16V	06.04 -	55	D4F 714/D4F 712/D4F 722	
	2.0 16V Sport	01.04 -	132	F4R 738	
Kangoo (KCO/1_)	1.2 16V	06.04 -	55	D4F 714/D4F 716/D4F 712	

CL130					
RENAULT					
Kangoo Express	1.2 16V	06.04 -	55	D4F 714/D4F 712	
Thalia (LBO/1/2_)	1.2 16V	04.02 -	55	D4F 712	
Twingo (CO6_)	1.2 16V	01.01 -	55	D4F 704/D4F 702	

CL131	
PIN	OEM-No.
	RENAULT 77 00 872 449
	77 00 872 834
	77 00 873 701
	82 00 141 149



rectangular socket

RENAULT					
Clio I (B/C57_, 5/357_)	1.2	01.96 - 09.98	40	D7F 730	
	1.2	01.96 - 09.98	43	D7F 730	
Clio II	1.2	09.98 -	43	D7F 710/D7F 766/D7F 720/D7F 726	
	2.0 16V Sport	02.00 -	124	F4R 730	
Clio II Van (SBO/1/2_)	1.1	09.98 -	43	D7F 722/D7F 720	
Kangoo (KCO/1_)	1.2	03.03 -	43	D7F 710/-744/-722/-720/-726	
Kangoo Express	1.2	03.03 -	43	D7F 710/-744/-722/-720/-726	
Laguna II (BG0/1_)	2.0 16V IDE	04.01 -	103	F5R 701/F5R 700	
Laguna II Grandtour	2.0 16V IDE	04.01 -	103	F5R 701/F5R 700	
Twingo (CO6_)	1.2	05.96 - 10.98	40	D7F 700/D7F 701	
	1.2	07.96 - 10.98	43	D7F 700/D7F 702/D7F 704/D7F 701/D7F 703	

CL132	
	OEM-No.
	PSA 96 213 181
	5970 55



1 coil per cylinder, number of connectors: 2

CITROEN					
Xsara (N1)	2.0 16V	04.97 - 09.00	120	RFS (XU10J4RS)	
Xsara Coupe (N0)	2.0 i 16V	02.98 - 03.05	120	RFS (XU10J4RS)	
ZX (N2)	2.0 i 16V	07.95 - 06.97	110	RFT (XU10J4/Z)	
	2.0 i 16V	05.96 - 06.97	120	RFS (XU10J4RS)	

PEUGEOT					
306 CC (7A, 7C, N3, N5)	2.0 S16	03.96 - 05.01	120	RFS (XU10J4RS)	

CL133

OEM-No.
PSA 5970 84



width of top face: 55 mm

CITROEN

C4 (LC_)	2.0 16V	11.04 -	130	EW10J4S/RFK (EW10J4S)
C4 Coupe (LA_)	2.0 16V	11.04 -	130	EW10J4S/RFK (EW10J4S)
C8 (EA_ EB_)	2.2	07.02 -	116	3FZ (EW12J4)

PEUGEOT

307 (3A/C)	2.0 16V	06.05 -	130	RFK (EW10J4S)
307 Break (3E)	2.0 16V	06.05 -	130	RFK (EW10J4S)
307 CC (3B)	2.0 16V	10.03 -	130	RFK (EW10J4S)
406 (8B)	2.2	07.00 - 05.04	116	3FZ (EW12J4)
406 Break (8E/F)	2.2	07.00 - 10.04	116	3FZ (EW12J4)
406 Coupe (8C)	2.2	03.02 - 12.04	116	3FZ (EW12J4)
407 (6D_)	2.2	05.04 -	116	3FZ (EW12J4)
407 Coupe (6C_)	2.2 16V	10.05 -	120	3FY (EW12J4)
407 SW (6E_)	2.2	05.04 -	116	3FZ (EW12J4)
607 (9D, 9U)	2.2 16V	02.00 -	116	3FZ (EW12J4)
807 (E)	2.2	06.02 -	116	3FZ (EW12J4)

CL134

OEM-No.
RENAULT 82 00 360 911
82 00 702 693



lengths of cables: 47-42-42-42 cm

RENAULT

Clio III (BR0/1, CR0/1)	1.2 16V	06.05 -	48	D4F 740
	1.2 16V	06.05 -	55	D4F 740
	1.2 16V	06.05 -	58	D4F 764
Kangoo (KCO/1_)	1.2 16V	06.01 -	55	D4F 714/D4F 716/D4F 712
Kangoo Express	1.2 16V	10.01 -	55	D4F 714/D4F 712
Modus (F/JPO_)	1.2	05.05 -	48	D4F 740
	1.2	12.04 -	55	D4F 740
	1.2	12.04 -	58	D4F 764

CL135

OEM-No.
FIAT 9633001580
LANCIA 96 33 001 580
PSA 96 362 683
5970 77
5970 94
96 330 015 80
96 644 018 80
RENAULT 9633001580



1 coil per cylinder

CITROEN

C5 (DC_)	3.0 V6	03.01 - 08.04	152	XFX (ES9J4S)
C5 Break (DE_)	3.0 V6	06.01 - 08.04	152	XFX (ES9J4S)
	3.0 Carlsson	09.03 - 08.04	173	
C5 (RC_)	3.0 V6	09.04 -	152	XFV (ES9A)/XFX (ES9J4S)
C5 Break (RE_)	3.0 V6	09.04 -	152	XFV (ES9A)
C5 (RD_)	3.0 V6	02.08 -	155	XFU (ES9A)
C5 Break (TD_)	3.0 V6	02.08 -	155	XFU (ES9A)
C6 (TD_)	3.0 V6	09.05 -	155	ES9J4S/XFV (ES9A)
C8 (EA_ EB_)	3.0 V6	07.02 -	150	XFX (ES9J4S)

FIAT

Ulysse (179AX)	3.0 V6	08.02 -	150	XFW
----------------	--------	---------	-----	-----

LANCIA

Phedra (179)	3.0 V6	09.02 -	150	ES9 J4S
--------------	--------	---------	-----	---------

PEUGEOT

406 (8B)	3.0 V6	03.00 - 05.04	152	XFX (ES9J4S)
406 Break (8E/F)	3.0 V6	03.00 - 10.04	152	XFX (ES9J4S)
406 Coupe (8C)	3.0 V6	03.00 - 12.04	152	XFX (ES9J4S)
407 (6D_)	3.0	05.04 -	155	XFV (ES9A)
407 Coupe (6C_)	3.0 V6	10.05 -	155	XFV (ES9A)
407 SW (6E_)	3.0	05.04 -	155	XFV (ES9A)
607 (9D, 9U)	3.0 V6 24V	02.00 -	152	XFX (ES9J4S)
	3.0 V6 24V	03.04 -	155	XFV (ES9A)
807 (E)	3.0 V6	06.02 -	150	XFX (ES9J4S)

RENAULT

Avantime (DE0_)	3.0 V6	09.01 - 05.03	152	L7X 720/L7X 721
Clio II	3.0 V6 Sport	11.00 - 12.02	166	L7X 760
	3.0 V6 Sport	12.02 -	187	L7X 762
Espace III (JEO_)	3.0 V6 24V	10.98 - 10.02	140	L7X 727
Laguna II (BGO/1_)	3.0 V6 24V	03.01 -	152	L7X 731
Laguna II Grandtour	3.0 V6 24V	03.01 -	152	L7X 731

CL136

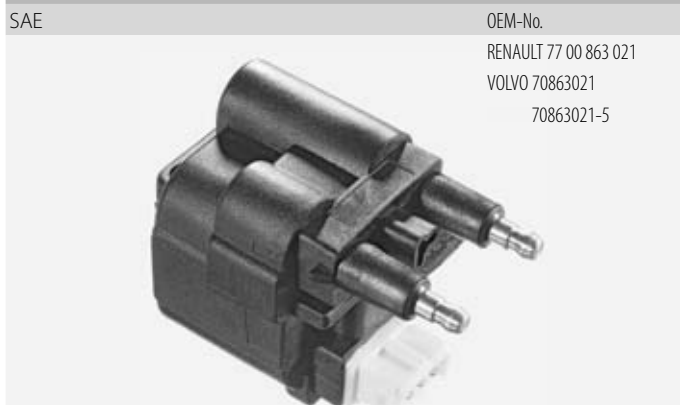


for cylinder 1 & 4 (CL137: 2 & 3)

RENAULT				
Laguna I (B56_, 556_)	2.0	09.99 - 02.01	102	F4R 780
	2.0	06.95 - 02.01	103	N7Q 700/N7Q 704
	2.0 16V	06.95 - 03.01	102	N7Q 700/N7Q 704
Laguna Grandtour (K56_)	2.0 16V	09.95 - 03.01	102	N7Q 700/N7Q 704
Safrane II (B54_)	2.0 16V	07.96 - 12.00	100	N7Q 710/N7Q 711

VOLVO				
S40 I (VS)	1.6	09.95 - 08.99	77	B 4164 S
	1.6	03.99 - 12.03	80	B 4164 S2
	1.8	07.95 - 08.99	85	B 4184 S3/B 4184 S
	1.8 i	03.98 - 12.03	92	B 4184 SM
	2.0	07.95 - 12.03	100	B 4204 S2/B 4204 S
	2.0	07.95 - 08.99	103	B 4204 S
V40 Combi (VW)	1.6	12.95 - 08.99	77	B 4164 S
	1.6	03.99 - 06.04	80	B 4164 S2
	1.8	07.95 - 08.99	85	B 4184 S3/B 4184 S
	1.8 i	03.98 - 06.04	92	B 4184 SM
	2.0	07.95 - 06.04	100	B 4204 S2/B 4204 S
	2.0	07.95 - 08.99	103	B 4204 S

CL137



for cylinder 2 & 3 (CL136: 1 & 4)

RENAULT				
Laguna I (B56_, 556_)	2.0	09.99 - 02.01	102	F4R 780
	2.0	06.95 - 02.01	103	N7Q 700/N7Q 704
	2.0 16V	06.95 - 03.01	102	N7Q 700/N7Q 704
Laguna Grandtour (K56_)	2.0 16V	09.95 - 03.01	102	N7Q 700/N7Q 704
Safrane II (B54_)	2.0 16V	07.96 - 12.00	100	N7Q 710/N7Q 711

VOLVO				
S40 I (VS)	1.6	09.95 - 08.99	77	B 4164 S
	1.6	03.99 - 12.03	80	B 4164 S2
	1.8	07.95 - 08.99	85	B 4184 S3/B 4184 S
	1.8 i	03.98 - 12.03	92	B 4184 SM
	2.0	07.95 - 12.03	100	B 4204 S2/B 4204 S

CL137

VOLVO				
S40 I (VS)	2.0	07.95 - 08.99	103	B 4204 S
V40 Combi (VW)	1.6	12.95 - 08.99	77	B 4164 S
	1.6	03.99 - 06.04	80	B 4164 S2
	1.8	07.95 - 08.99	85	B 4184 S3/B 4184 S
	1.8 i	03.98 - 06.04	92	B 4184 SM
	2.0	07.95 - 06.04	100	B 4204 S2/B 4204 S
	2.0	07.95 - 08.99	103	B 4204 S

CL138



CITROEN

C4 (LC_)	2.0 16V	11.04 -	103	RFJ (EW10A)/EW10A
C4 Picasso (UD_)	1.8 i 16V	02.07 -	92	6FY-EW7A
	2.0 i 16V	02.07 -	103	RFJ (EW10A)
C4 Grand Picasso (UA_)	1.8 i 16V	10.06 -	92	6FY-EW7A
	2.0 i 16V	10.06 -	103	RFJ (EW10A)
C5 (DC_)	2.0 16V	03.01 - 08.04	100	RFN (EW10J4)
C5 Break (DE_)	2.0 16V	06.01 - 08.04	100	RFN (EW10J4)
C5 (RC_)	1.8 16V	09.05 -	92	6FY-EW7A
	2.0 16V	09.04 -	103	RFJ (EW10A)/EW10A
C5 Break (RE_)	1.8 16V	09.05 -	92	6FY-EW7A
	2.0 16V	09.04 -	103	RFJ (EW10A)
C5 (RD_)	1.8 16V	02.08 -	92	6FY-EW7A
	2.0 16V	02.08 -	103	RFJ (EW10A)/EW10A
C5 Break (TD_)	1.8 16V	02.08 -	92	6FY-EW7A
	2.0 16V	02.08 -	103	RFJ (EW10A)/EW10A
C8 (EA_, EB_)	2.0 16V	09.05 -	103	RFJ (EW10A)
Jumpy	2.0 i	01.07 -	103	RFH (EW10A)
Jumpy Van	2.0 i	01.07 -	103	RFH (EW10A)

PEUGEOT

307 (3A/C)	2.0 16V	03.05 -	103	RFJ (EW10A)
307 Break (3E)	2.0 16V	03.05 -	103	RFJ (EW10A)
307 CC (3B)	2.0 16V	03.05 -	103	RFJ (EW10A)
307 SW (3H)	2.0 16V	03.05 -	103	RFJ (EW10A)
407 (6D_)	1.8 16V	09.05 -	92	6FY (EW7A)
	2.0 16V	09.05 -	103	RFJ (EW10A)
	2.0 Bioflex	09.07 -	103	RFJ (EW10A)
407 SW (6E_)	1.8 16V	09.05 -	92	6FY (EW7A)
	2.0 16V	09.05 -	103	RFJ (EW10A)
807 (E)	2.0 16V	09.05 -	103	RFJ (EW10A)
Expert Tepee (VF3V_)	2.0 16V	01.07 -	103	RFJ (EW10A)/RFH (EW10A)
Expert Van	2.0 16V	01.07 -	103	RFJ (EW10A)/RFH (EW10A)

CL139

OEM-No.
PSA 5970 92



width of top face: 40 mm

CITROEN

C8 (EA_ EB_)	2.2	07.02 -	116	3FZ (EW12J4)
--------------	-----	---------	-----	--------------

PEUGEOT

407 (6D_)	2.2	05.04 -	116	3FZ (EW12J4)
607 (9D, 9U)	2.2 16V	02.00 -	116	3FZ (EW12J4)
807 (E)	2.2	06.02 -	116	3FZ (EW12J4)

CL140

PIN OEM-No.
PSA 5970 57



1 coil per vehicle

CITROEN

Xantia (X1)	3.0i 24V	01.97 - 01.98	140	XFZ (ES9J4)
Xantia (X2)	3.0V6	01.98 - 04.03	140	XFZ (ES9J4)
Xantia Break (X2)	3.0V6	01.98 - 04.03	140	XFZ (ES9J4)
XM (Y4)	3.0V6	04.97 - 10.00	140	XFZ (ES9J4)
XM Break (Y4)	3.0V6	04.97 - 10.00	140	XFZ (ES9J4)

PEUGEOT

406 (8B)	3.0 24V	10.96 - 05.04	140	XFZ (ES9J4)
406 Break (8E/F)	3.0 24V	10.96 - 10.04	140	XFZ (ES9J4)
406 Coupe (8C)	3.0V6 24V	03.97 - 12.04	140	XFZ (ES9J4)
605 (6B)	3.0V6	04.97 - 09.99	140	ES 9 J4

CL141

OEM-No.
PSA 5970 81



color of socket: grey

CITROEN

Saxo (S0, S1)	1.6 VTS	06.96 - 09.03	87	NFX (TU5JP4)
	1.6	02.96 - 04.04	88	NFX (TU5JP4)

PEUGEOT

106 II (1)	1.6 S16	05.96 -	87	NFX (TU5J4)
------------	---------	---------	----	-------------

CL146

DIN OEM-No.
RENAULT 77 01 021 954
77 01 029 799



number of connectors: 4

RENAULT

Espace I (J11_)	2.0	09.84 - 12.87	80	J6R 234/J6R 236
	2.0i	01.89 - 12.90	87	J7R 760
	2.0i Quadra	03.88 - 12.92	87	J7R 760
Fuego (136_)	2.0TX/GTX	10.80 - 10.85	81	J6R 713/-726/-715/-710/-712
Super 5 (B/C40_)	1.4	10.84 - 06.88	43	C1J 780/C1J 768
9 (L42_)	1.2	09.85 - 12.88	40	C1G 700/C1G 710
	1.4	12.81 - 12.88	44	C1J 715/-792/-796/C2J 730
	1.4	09.85 - 12.88	49	C2J 766/-720/-768/C2J 767
	1.4 Automatic	09.81 - 12.85	50	C2J 757/C2J 718
	1.4	09.81 - 12.85	53	C2J 717/C2J 755
	1.4 Turbo	04.84 - 12.86	77	C1J 764/C1J 760
	1.4 Turbo	12.86 - 12.89	85	C1J 764/C1J 760
	1.7	10.86 - 12.88	54	F3N 718
	1.7	10.86 - 12.88	55	F2N 730
	1.7	09.84 - 12.88	59	F2N 704/F2N 700
11 (B/C37_)	1.7	10.86 - 12.88	65	F2N 798/F2N 710/F2N 708
	1.7	06.87 - 12.88	69	F3N 708
	1.2	10.84 - 12.88	40	C1G 700/C1G 710
	1.4	03.83 - 12.88	44	C1J 715/C2J 730
	1.4	03.83 - 12.88	49	C2J 766/-720/-768/C2J 767
	1.4	03.83 - 12.85	50	C2J 757/C2J 718
	1.4	05.83 - 12.85	53	C2J 717/C2J 755
	1.4 Turbo	04.84 - 12.86	77	C1J 764/C1J 760
	1.4 Turbo	10.86 - 12.88	85	C1J 770/C1J 782
	1.7	10.86 - 12.88	54	F2N 730

CL146

CL146				
RENAULT				
11 (B/C37_)	1.7	10.84 - 12.88	55	F3N 718
	1.7	10.83 - 12.87	59	F2N 704/F2N 700
	1.7	06.87 - 12.88	64	F2N 732/F2N 742
	1.7	10.86 - 12.88	65	F2N 798/F2N 710/F2N 708
18 (134_)	1.4	04.78 - 07.86	47	847 720/847 722
	1.6	04.82 - 07.86	54	841 717/A2M 723
	1.6	04.78 - 09.82	58	841 725/841 726
	1.6 TS	05.82 - 07.86	71	A6M 725/A6M 726
	1.6 Turbo	10.80 - 09.82	80	807 727
	1.6 Turbo	10.82 - 07.86	92	ASL 718/ASL 717
	2.0	05.82 - 07.86	77	J6R 716
	2.0	10.81 - 07.86	77	J6R 716
18 Variable (135_)	1.4	05.79 - 07.86	47	847 720/847 722
	1.6	01.82 - 07.86	54	841 717/A2M 723
	1.6 4x4	01.83 - 07.86	54	841 717/A2M 723
	1.6	05.79 - 09.82	58	841 725/841 726
	1.6 4x4	02.79 - 06.81	58	841 725
	1.6 TS	05.82 - 07.86	71	A6M 725/A6M 726
	1.6 Turbo	10.82 - 07.86	92	ASL 718/ASL 717
	2.0 4x4	05.83 - 12.86	76	J6R 714/J6R 716
	2.0	10.81 - 07.86	77	J6R 716
21 (B48_)	1.7	09.89 - 10.92	54	F3N 726
21 Sedan (L48_)	1.7	07.86 - 02.94	54	F3N 726 /F2N 750
	1.7	03.86 - 12.87	55	F2N 712
	1.7	03.86 - 03.93	65	F2N 710
21 Combi (K48_)	1.7 cat	05.88 - 06.93	54	F3N 726
	1.7	06.86 - 03.93	55	F2N 712
	1.7	10.86 - 12.88	65	F2N 710
	1.7	10.89 - 12.93	66	F3N 723/F3N 722
25 (B29_)	2.0	04.84 - 12.92	74	J6R 763/-707/-760/-706/-762
Trafic Bus (T5, T6, T7)	2.0	06.86 - 04.89	59	J5R 722/J5R 716/J5R 726
	2.0 4x4	06.86 - 04.89	59	J5R 722/J5R 716/J5R 726
Trafic Flatbed (P6)	2.0	03.80 - 12.86	63	829 721/829 720
	2.0 4x4	05.85 - 02.89	60	J5R 716
Trafic Van (T1, T3, T4)	2.0	06.86 - 04.89	59	J5R 722/J5R 716/J5R 726
	2.0 4x4	06.86 - 04.89	59	J5R 722/J5R 716/J5R 726
Master I 28-35 Bus (T_)	2.0	10.86 - 07.98	58	J5R 718
	2.0	10.86 - 07.98	58	J5R 718
Master I Flatbed (P_)	2.0	10.86 - 07.98	58	J5R 728
	2.0	11.89 - 07.93	60	J5R 718

CL149



lengths of cables: 50 45 45 45 cm

RENAULT				
Clio II	1.2 16V	06.07 -	55	D4F 714/D4F 712/D4F 722
	1.2 16V	06.07 -	48	D4F 740
	1.2 16V	06.07 -	55	D4F 740
	1.2 16V	06.07 -	55	D4F 740

OEM-No.
 RENAULT 8200051128
 8200360911
 8200702693
 8200713680
 8200734204

CL149

RENAULT				
Clio II	1.2 16V Hi-Flex	07.08 -	55	D4F 740/D4F 742
	1.2 16V	06.07 -	58	D4F 764
Clio Grandtour (KR0/1_)	1.2 16V Hi-Flex	07.08 -	55	D4F 740
Kangoo (KC0/1_)	1.2 16V	06.07 -	55	D4F 714/D4F 716/D4F 712
Kangoo Express	1.2 16V	06.07 -	55	D4F 714/D4F 712
Modus (F/JPO_)	1.2	01.08 -	55	D4F 740
	1.2 16V Hi-Flex	10.08 -	55	D4F 740
Twingo (CO6_)	1.2 16V	08.04 -	44	D4F 708
Twingo (CNO_)	1.2 16V	03.07 -	56	D4F 772

CL150

PIN	OEM-No.
	RENAULT 8200702693



DACIA

Sandero	1.2 16V	11.08 -	55	D4F 732
---------	---------	---------	----	---------

RENAULT

Clio II	1.2 16V	06.01 -	55	D4F 714/D4F 712/D4F 722
Clio III (BR0/1, CR0/1)	1.2 16V	06.05 -	48	D4F 740
	1.2 16V	06.05 -	55	D4F 740
	1.2 16V	06.05 -	58	D4F 764
	1.2 16V	05.07 -	74	D4F 784
Clio Grandtour (KR0/1_)	1.2 16V	02.08 -	55	D4F 740
	1.2 16V	02.08 -	58	D4F 764
	1.2 16V	02.08 -	74	D4F 784
Kangoo (KC0/1_)	1.2 16V	06.01 -	55	D4F 714/D4F 716/D4F 712
Kangoo Express	1.2 16V	10.01 -	55	D4F 714/D4F 712
Modus (F/JPO_)	1.2 16V Hi-Flex	10.08 -	55	D4F 740
Twingo (CO6_)	1.2 16V	01.01 -	55	D4F 704/D4F 702
Twingo (CNO_)	1.2 16V	03.07 -	56	D4F 772

CL151



OEM-No.
 PSA 9651710680
 5970.85

CITROEN

C2 (JM_)	1.4 16V	06.06 -	65	KFU (ET3J4)
C3 (FC_)	1.4 16V	12.03 -	65	KFU (ET3J4)
C4 (LC_)	1.4 16V	11.04 -	65	KFU (ET3J4)
C4 Coupe (LA_)	1.4 16V	11.04 -	65	KFU (ET3J4)

CL151



CL151

PEUGEOT

206 CC (2A/C)	1.4 16V	10.03 -	65	KFU (ET3J4)
206 SW (2E/K)	1.4 16V	10.03 -	65	KFU (ET3J4)
207 (WA_, WC_)	1.4 16V	02.06 -	65	KFU (ET3J4)
307 (3A/C)	1.4 16V	11.03 -	65	KFU (ET3J4)
307 Break (3E)	1.4 16V	11.03 -	65	KFU (ET3J4)
307 SW (3H)	1.4 16V	11.03 -	65	KFU (ET3J4)
1007 (KM_)	1.4 16V	10.05 -	65	KFU (ET3J4)

CL152

OEM-No.

RENAULT 8200726341

8200959964



1 coil per cylinder

RENAULT

Megane III CC (BZO_)	1.4 Tce	04.09 -	96	H4J 700
Megane III Grandtour	1.4 Tce	05.09 -	96	H4J 700
Megane III Coupe (DZO/1_)	1.4 Tce	04.09 -	96	H4J 700
Megane (EZO/1_)	1.4 Tce	06.10 -	96	H4J 700
Scénic III (JZO/1_)	1.4 16V	02.09 -	96	H4J 700
Grand Scénic III (JZO/1_)	1.4 16V	02.09 -	96	H4J 700

CL153

OEM-No.

RENAULT 8200699627



1 coil per cylinder

RENAULT

Fluence (L30_)	2.0 16V	02.10 -	103	M4R 751/M4R 714
Latitude	2.0 16V	02.11 -	103	M4R 746
Megane III CC (BZO_)	2.0 CVT	02.09 -	103	M4R 711
Megane III Grandtour	2.0 CVT	05.09 -	103	M4R 711/M4R F 713
Megane III Coupe (DZO/1_)	2.0 CVT	05.09 -	103	M4R 711/M4R F 713
Megane (EZO/1_)	2.0 CVT	06.10 -	103	M4R F 711/M4R F 713
Scénic III (JZO/1_)	2.0 16V	02.09 -	103	M4R F 713
Grand Scénic III (JZO/1_)	2.0 16V	02.09 -	103	M4R F 713

CL154

OEM-No.

PSA 9644190980

5970.95



PEUGEOT

406 (8B)	2.0 16V HPI	05.01 - 05.04	103	RLZ (EW10D)
406 Break (8E/F)	2.0 16V HPI	05.01 - 10.04	103	RLZ (EW10D)

CL200

PIN

OEM-No.

OPEL 10 457 075

11 03 872

11 03 905

12 08 063



OPEL

Astra F (56_, 57_)	1.4 Si	03.92 - 09.98	60	C 14 SE
	1.4i 16V	02.96 - 09.98	66	X 14 XE
	1.6i	05.93 - 07.96	52	X 16 SZ
	1.6i	03.92 - 09.98	55	C 16 NZ/X 16 SZR
	1.6i	08.96 - 09.98	55	X 16 SZR
	1.6 Si	05.92 - 12.94	74	C 16 SE
Astra F Caravan	1.6i 16V	08.94 - 09.98	74	X 16 XEL
	1.4 Si	03.92 - 01.98	60	C 14 SE
	1.4i 16V	02.96 - 01.98	66	X 14 XE
	1.6i	05.93 - 07.96	52	X 16 SZ
	1.6i	09.91 - 01.98	55	C 16 NZ/X 16 SZR
	1.6 Si	03.92 - 12.94	74	C 16 SE
Astra F Cabrio (53_B)	1.6i 16V	08.94 - 01.98	74	X 16 XEL
	1.4 Si	05.93 - 03.01	60	C 14 SE
	1.4i 16V	01.96 - 03.01	66	X 14 XE
	1.6i	03.93 - 08.96	52	X 16 SZ
	1.6i	01.96 - 03.01	55	X 16 SZR
	Astra F CC	1.4i 16V	01.96 - 01.98	66
1.6i		05.93 - 07.96	52	X 16 SZ
1.6i		09.91 - 01.98	55	C 16 NZ/X 16 SZR
1.6 Si		03.92 - 12.94	74	C 16 SE
1.6i 16V		08.94 - 01.98	74	X 16 XEL
Astra F Van (55_)		1.6i	02.93 - 07.96	52
	1.6i	10.91 - 04.93	55	C 16 NZ
Astra F Classic Caravan	1.6i	01.98 - 01.05	55	X 16 SZR
	1.6i 16V	01.98 - 01.05	74	X 16 XEL
Astra F Classic CC	1.4i	03.98 - 08.00	66	X 14 XE
	1.6i	01.98 - 08.02	55	X 16 SZR

CL200

CL200				
OPEL				
Astra F Classic CC	1.6 i 16V	01.98 - 08.02	74	X 16 XEL
Astra F Classic Sedan	1.6 i	01.98 - 08.02	55	X 16 SZR
	1.6 i 16V	01.98 - 08.02	74	X 16 XEL
Astra G Caravan (F35_)	1.6	02.98 - 09.00	55	X 16 SZR
Astra G CC (F48_, F08_)	1.6	02.98 - 09.00	55	X 16 SZR
Astra G Sedan (F69_)	1.6	09.98 - 09.00	55	X 16 SZR
Astra G Van (F70)	1.6	01.99 - 09.00	55	X 16 SZR
Combo (71_)	1.4	07.94 - 10.01	60	C 14 SE
Corsa A CC	1.4 Si	09.91 - 03.93	60	C 14 SE
	1.6 GSI	05.88 - 03.92	74	E 16 SE
	1.6 GSI cat	02.92 - 03.93	74	C 16 SE
Corsa B (73_, 78_, 79_)	1.2 i	03.93 - 09.00	33	C 12 NZ/X 12 SZ
	1.4 Si	03.93 - 09.00	60	C 14 SE
	1.4 i 16V	08.97 - 09.00	63	C 14 SEL
	1.4 i 16V	09.94 - 09.00	66	X 14 XE
	1.6 i 16V	08.97 - 09.00	74	C 16 SEL
	1.6 i 16V	09.94 - 09.00	78	X 16 XE
	1.6 GSI 16V	03.93 - 09.00	80	C 16 XE
Corsa B Van (73_)	1.4 i	08.99 - 09.00	44	X 14 SZ
Tigra (95_)	1.4 16V	08.97 - 12.00	63	X 14 XE
	1.4 16V	07.94 - 12.00	66	X 14 XE
	1.6 16V	08.97 - 08.98	74	C 16 SEL
	1.6 16V	07.94 - 08.98	78	X 16 XE
Vectra A (86_, 87_)	1.6 i	09.93 - 11.95	52	X 16 SZ
Vectra A CC (88_, 89_)	1.6 i	09.93 - 11.95	52	X 16 SZ
Vectra B (36_)	1.6 i	10.95 - 04.02	55	X 16 SZR
	1.6 i 16V	10.95 - 04.02	74	Z 16 XE/X 16 XEL/Y 16 XE
Vectra B Caravan (31_)	1.6 i	11.96 - 06.00	55	X 16 SZR
	1.6 i 16V	11.96 - 07.02	74	Z 16 XE/X 16 XEL/Y 16 XE
Vectra B CC (38_)	1.6 i	10.95 - 07.03	55	X 16 SZR
	1.6 i 16V	10.95 - 07.02	74	Z 16 XE/X 16 XEL/Y 16 XE

CL201				
PIN	OEM-No.			
	DAEWOO 96350585	GM 01104038		
		10450424		
		10490192		
		OPEL 12 08 051		



number of connectors: 4

DAEWOO				
Lanos (KLAT)	1.4	05.97 -	55	A14SMS
	1.5	05.97 -	63	A15SMS
	1.6 16V	05.97 -	78	A16DMS
Lanos Sedan (KLAT)	1.4	05.97 -	55	A14SMS
	1.5	05.97 -	63	A15SMS/Y15L
	1.6 16V	05.97 -	78	A16DMS
Leganza (KLAV)	2.0 16V	07.00 -	93	T20SED
	2.0 16V	06.97 - 12.02	98	X 20 SED
	2.2 16V	04.99 - 12.02	100	T22SED
Nubira (KLAJ)	1.6 16V	05.97 -	78	A16DMS

CL201				
DAEWOO				
Nubira (KLAJ)	1.8	04.97 - 05.99	70	C18LE
	2.0 16V	05.97 -	98	X 20 SED/Z20L
Nubira Sedan (KLAJ)	1.6 16V	07.00 -	76	A16DMS
	1.6 16V	05.97 -	78	A16DMS
	1.8	04.97 - 05.99	70	C18LE
	2.0 16V	05.97 -	98	X 20 SED
Nubira Wagon (KLAJ)	1.6 16V	06.97 -	66	
	1.6 16V	05.97 -	78	A16DMS
	1.8	04.97 - 05.99	70	C18LE
	2.0 16V	05.97 -	98	X 20 SED

OPEL				
Frontera B (6B_)	2.2 i	10.98 -	100	X 22 SE/Y 22 SE

CL202	
	OEM-No.



OPEL 19 005 212
12 08 307

OPEL				
Astra G Sedan (F69_)	1.4 16V	09.98 - 01.05	66	X 14 XE/Z 14 XE
	1.6 16V	09.98 - 01.05	74	Z 16 XE/X 16 XEL
Astra G Caravan (F35_)	1.4 16V	06.98 - 07.04	66	X 14 XE/Z 14 XE
	1.6 CNG	03.03 - 07.04	71	Z 16 YNG
	1.6 16V	02.98 - 07.04	74	Z 16 XE/X 16 XEL
Astra G Cabriolet	1.6 16V	03.01 - 10.05	74	Z 16 XE
Astra G CC (F48_, F08_)	1.4 16V	02.98 - 01.05	66	X 14 XE/Z 14 XE
	1.6 16V	02.98 - 01.05	74	Z 16 XE/X 16 XEL
Combo Tour	1.6 CNG	06.06 -	69	Z 16 YNG
	1.6 CNG	04.05 -	71	Z 16 YNG
Combo Van/Combi	1.6 CNG 16V	06.06 -	69	Z 16 YNG
	1.6 CNG 16V	04.05 -	71	Z 16 YNG
Corsa C (F08, F68)	1.4	09.00 -	66	Z 14 XE
Meriva	1.6 16V	05.03 - 05.10	74	Z 16 XE
Vectra B (36_)	1.6 i 16V	10.95 - 04.02	74	Z 16 XE/X 16 XEL/Y 16 XE
Vectra B Caravan (31_)	1.6 i 16V	11.96 - 07.02	74	Z 16 XE/X 16 XEL/Y 16 XE
Vectra B CC (38_)	1.6 i 16V	10.95 - 07.02	74	Z 16 XE/X 16 XEL/Y 16 XE
Vectra C	1.6 16V	06.04 -	74	Z 16 XE
Vectra C Caravan	1.6 16V	06.04 -	74	Z 16 XE
Vectra C GTS	1.6	08.05 -	74	Z 16 XE
Zafira (F75_)	1.6 CNG	09.01 - 06.05	71	Z 16 YNG
	1.6 16V	04.99 - 06.05	74	Z 16 XE/X 16 XEL
Zafira (A05)	1.6	01.06 -	69	Z 16 YNG

CL203



OEM-No.
GM 90536194
OPEL 09 119 567
90 536 194
12 08 008

OPEL

Astra F Classic Caravan	1.8	02.03 - 07.04	81	Z 18 XEL
Astra F Classic CC	1.8 i	03.98 - 08.00	85	X 18 XE1
Astra G Cabriolet	1.8 16V	03.01 - 10.05	92	Z 18 XE
Astra G Caravan (F35_)	1.8 16V	02.98 - 09.00	85	X 18 XE1
	1.8 16V	09.00 - 07.04	92	Z 18 XE
Astra G Coupe (F07_)	1.8 16V	03.00 - 10.00	85	X 18 XE1
	1.8 16V	09.00 - 05.05	92	Z 18 XE
Astra G CC (F48_, F08_)	1.8 16V	02.98 - 09.00	85	X 18 XE1
	1.8 16V	09.00 - 01.05	92	Z 18 XE
Astra G Sedan (F69_)	1.8 16V	09.98 - 09.00	85	X 18 XE1
	1.8 16V	09.00 - 01.05	92	Z 18 XE
Astra H	1.8	03.04 -	92	Z 18 XE
Astra H Caravan	1.8	08.04 -	92	Z 18 XE
Astra H GTC	1.8	03.05 -	92	Z 18 XE
Astra H TwinTop	1.8	09.05 -	92	Z 18 XE
Corsa C (F08, F68)	1.8	09.00 -	92	Z 18 XE
Meriva	1.8	05.03 - 05.10	92	Z 18 XE
Signum	1.8	05.03 -	90	Z 18 XE
Tigra TwinTop	1.8	06.04 -	92	Z 18 XE
Vectra B (36_)	1.8 i 16V	10.95 - 09.00	85	X 18 XE1
	1.8 i 16V	09.00 - 04.02	92	Z 18 XE
Vectra B Caravan (31_)	1.8 i 16V	11.96 - 09.00	85	X 18 XE1
	1.8 i 16V	09.00 - 07.03	92	Z 18 XE
Vectra B CC (38_)	1.8 i 16V	10.95 - 09.00	85	X 18 XE1
	1.8 i 16V	09.00 - 07.03	92	Z 18 XE
Vectra C	1.8	04.02 -	81	Z 18 XEL
	1.8 16V	04.02 -	90	Z 18 XE
Vectra C Caravan	1.8	10.03 -	90	Z 18 XE
Vectra C GTS	1.8 16V	08.02 -	90	Z 18 XE
Zafira (F75_)	1.8 16V	04.99 - 09.00	85	X 18 XE1
	1.8 16V	09.00 - 06.05	92	Z 18 XE

SAAB

9-3 (YS3F)	1.8 i	01.04 -	90	Z 18 XE
9-3 Combi	1.8 i	03.05 -	90	Z 18 XE

CL204

DIN



OEM-No.
DAEWOO 96320818
96336522

DAEWOO

Matiz (KLYA)	0.8	09.98 -	38	F8CV
--------------	-----	---------	----	------

CL205

SAE



OEM-No.
OPEL 90 449 740
90 510 387
12 08 002
12 08 004
12 08 048

OPEL

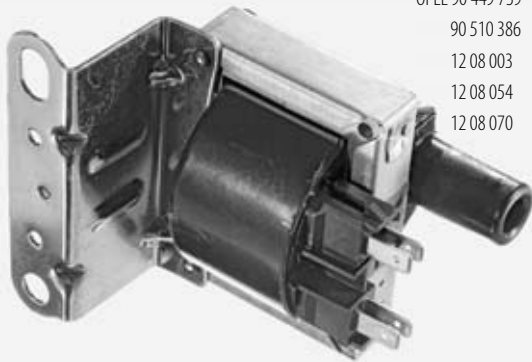
Ascona C	1.3 N	09.81 - 08.86	44	13 N
	1.3 S	09.81 - 08.88	55	13 S
	1.6	09.81 - 09.87	55	16 N
	1.6 i	09.87 - 08.88	55	E 16 NZ/E 16 LZ
	1.6 i cat	09.86 - 08.88	55	C 16 NZ/C 16 LZ
Ascona C CC (84_, 89_)	1.3 N	09.81 - 08.86	44	13 N
	1.3 S	09.81 - 08.88	55	13 S
	1.6	09.81 - 08.88	55	16 N
	1.6 i	09.87 - 08.88	55	E 16 NZ
	1.6 i cat	09.86 - 08.88	55	C 16 NZ/C 16 LZ
Astra F (56_, 57_)	1.6 i	03.92 - 09.98	55	C 16 NZ/X 16 SZR
Astra F Caravan (51_, 52_)	1.6 i	09.91 - 01.98	55	C 16 NZ/X 16 SZR
Astra F CC	1.6 i	09.91 - 01.98	55	C 16 NZ/X 16 SZR
Astra F Van (55_)	1.6 i	10.91 - 04.93	55	C 16 NZ
Corsa A CC	1.2 N	01.90 - 03.93	38	12 NV
	1.2 S	09.82 - 02.90	40	12 ST
	1.3 S	09.82 - 10.89	51	13 SB
Corsa A TR	1.2 S	09.82 - 03.93	40	12 ST
	1.2 S	09.82 - 10.87	43	12 S
	1.3 S	09.82 - 10.87	51	13 SB
Corsa A Van	1.2	02.86 - 04.89	40	12 ST
	1.2	02.86 - 07.90	44	12 S
	1.3	02.86 - 04.89	51	13 SB
Kadett D	1.3 N	08.79 - 08.84	44	13 N
	1.3 S	08.79 - 08.84	55	13 S
Kadett D Caravan	1.3 N	08.79 - 08.84	44	13 N
	1.3 S	08.79 - 08.84	55	13 S
Kadett E (39_, 49_)	1.3 i cat	09.85 - 08.91	44	C 13 N
	1.3 S	09.84 - 08.87	55	13 S
	1.6 i	09.86 - 08.91	55	E 16 NZ

CL205

CL205				
OPEL				
Kadett E (39_, 49_)	1.6 i cat	09.86 - 08.91	55	C 16 NZ/C 16 LZ
Kadett E Cabriolet (43B_)	1.3 S	03.87 - 02.93	55	13 S
Kadett E CC	1.3 N	09.84 - 08.91	44	13 NB/13 N
	1.3 S	09.84 - 08.87	55	13 S
	1.6 i	09.86 - 08.91	55	E 16 NZ
	1.6 i cat	09.86 - 08.91	55	C 16 NZ/C 16 LZ
Kadett E Combo	1.3 N	01.86 - 12.89	44	13 N
	1.3 S	01.86 - 12.89	55	13 S
Manta B (58_, 59_)	1.3 S	08.81 - 08.86	55	13 S
Manta B CC (53_, 55_)	1.3 S	08.79 - 08.86	55	13 S
Monza A (22_)	2.2 E	11.84 - 08.86	85	22 E
Vectra A (86_, 87_)	1.6 i	09.88 - 10.90	55	E 16 NZ
	1.6 i cat	09.88 - 11.95	55	C 16 NZ2/C 16 NZ
	1.6	09.88 - 12.90	60	16 SV
Vectra A CC (88_, 89_)	1.6 i cat	09.88 - 11.95	55	C 16 NZ2/C 16 NZ
	1.6 S	09.88 - 12.90	60	16 SV

CL206

PIN	OEM-No.
	OPEL 90 449 739
	90 510 386
	12 08 003
	12 08 054
	12 08 070



OPEL

Astra F (56_, 57_)	1.4 i	09.91 - 09.98	44	C 14 NZ/X 14 NZ
	1.4 Si	03.92 - 09.98	60	C 14 SE
	1.4	09.92 - 09.98	60	14 SE
	1.6	09.95 - 09.98	55	16 NZR/16 LZ2
	1.8 i	03.92 - 09.98	66	C 18 NZ
Astra F Caravan	1.4 i	09.91 - 01.98	44	C 14 NZ
	1.4 Si	03.92 - 01.98	60	C 14 SE
	1.4	09.92 - 01.98	60	14 SE
	1.8 i	09.91 - 01.98	66	C 18 NZ
	1.4 Si	05.93 - 03.01	60	C 14 SE
Astra F CC	1.4	09.91 - 09.93	55	14 NV
	1.4 i	03.92 - 01.98	44	C 14 NZ
	1.4 Si	03.92 - 01.98	60	C 14 SE
	1.4	09.92 - 01.98	60	14 SE
	1.8 i	09.91 - 01.98	66	C 18 NZ
Astra F Classic Sedan	1.4 i	01.98 - 08.02	44	X 14 NZ
Astra F Classic Caravan	1.4 i	01.98 - 01.05	44	X 14 NZ
Astra F Classic CC	1.4 i	01.98 - 08.02	44	X 14 NZ
Astra F Van (55_)	1.4 i	10.91 - 01.99	44	C 14 NZ
Astra G Sedan (F69_)	1.6	09.98 - 09.00	55	X 16 SZR
Astra G Caravan (F35_)	1.6	02.98 - 09.00	55	X 16 SZR
Astra G CC (F48_, F08_)	1.6	02.98 - 09.00	55	X 16 SZR
Astra G Van (F70)	1.6	01.99 - 09.00	55	X 16 SZR
Combo (71_)	1.2	07.94 - 10.01	33	C 12 NZ/X 12 SZ
	1.4	07.94 - 10.01	44	C 14 NZ/X 14 SZ
Corsa A CC	1.2	09.82 - 08.90	33	E 12 GV/12 NC
	1.2 i	09.89 - 03.93	33	C 12 NZ

CL206				
OPEL				
Astra F (56_, 57_)	1.4 i	01.90 - 03.93	44	C 14 NZ
	1.4 S	01.90 - 03.93	53	14 NV
	1.4 Si	09.91 - 03.93	60	C 14 SE
	1.6 GSI	09.89 - 03.93	72	C 16 SEI
	1.6 GSI	05.88 - 03.92	74	E 16 SE
	1.6 GSI cat	02.92 - 03.93	74	C 16 SE
Corsa A TR	1.2 i	09.89 - 03.93	33	C 12 NZ
	1.2 S	09.82 - 03.93	40	12 ST
	1.4 i	10.89 - 03.93	44	C 14 NZ
Corsa A Van	1.2	02.86 - 04.89	40	12 ST
Corsa B (73_, 78_, 79_)	1.2 i	03.93 - 09.00	33	12 NZ
	1.4 i	03.93 - 09.00	44	C 14 NZ/X 14 SZ
Kadett E (39_, 49_)	1.4 i	01.90 - 08.91	44	C 14 NZ
	1.4 S	01.90 - 08.91	55	14 NV
	1.6 S	09.84 - 08.86	66	16 SH
	1.8 i	09.90 - 08.91	66	C 18 NZ/C 18 NT
Kadett E Cabriolet	1.4 i	01.90 - 08.91	44	C 14 NZ
	1.6 i	07.89 - 02.93	60	16 SV
Kadett E Caravan	1.4 i	01.90 - 08.91	44	C 14 NZ
	1.4 S	01.90 - 08.91	55	14 NV
	1.6 i cat	09.86 - 08.91	55	C 16 NZ/C 16 LZ
	1.6	09.86 - 08.91	60	16 SV
Kadett E CC	1.8 i	06.85 - 08.91	66	C 18 NZ/C 18 NT
	1.4 i	01.90 - 08.91	44	C 14 NZ
	1.4 S	01.90 - 08.91	55	14 NV
Kadett E Combo	1.6 S	09.86 - 08.91	60	16 SV
	1.8 i	06.85 - 08.91	66	C 18 NZ/S 18 NV/C 18 NT
	1.4 i	08.91 - 07.94	44	C 14 NZ
Kadett E Van (37_, 47_)	1.4 S	07.89 - 08.91	55	14 NV
	1.6	09.86 - 12.91	60	16 SV
Kadett E Van (37_, 47_)	1.4 i	01.90 - 08.91	44	C 14 NZ
Omega A (16_, 17_, 19_)	1.8 S	09.86 - 03.94	66	18 SV
	1.8	09.86 - 03.94	85	18 SEH
Omega A Caravan	1.8 S	09.86 - 03.94	66	18 SV
	1.8	09.86 - 03.94	85	18 SEH
Vectra A (86_, 87_)	1.6	08.92 - 07.93	51	C 16 LZ2
	1.6 i	09.93 - 11.95	55	16 LZ2
	1.6	01.90 - 05.93	60	16 SV
	1.8 S 4x4	01.89 - 07.89	65	E 18 NVR
	1.8 S	09.89 - 10.90	66	18 SV
	1.8 i cat	03.90 - 11.95	66	C 18 NZ
	1.8 i	09.88 - 10.90	66	18 SV
Vectra A CC (88_, 89_)	1.6 i	09.93 - 11.95	55	16 LZ2
	1.6 S	01.90 - 05.93	60	16 SV
	1.8 S	09.88 - 07.89	65	E 18 NVR
	1.8 i	09.88 - 10.90	66	18 SV
Vectra B (36_)	1.8 i cat	03.90 - 11.95	66	C 18 NZ
	1.6 i	10.95 - 04.02	55	16 LZ2
Vectra B Caravan (31_)	1.6 i	11.96 - 06.00	55	16 LZ2
Vectra B CC (38_)	1.6 i	10.95 - 07.03	55	16 LZ2

CL207

PIN	OEM-No.
	OPEL 90458250
	12 08 071



OPEL

Astra F (56_, 57_)	1.8 i 16V	11.94 - 09.98	85	C 18 XEL/X 18 XE	
	1.8 i 16V	06.93 - 10.94	92	C 18 XE	
	2.0 i 16V	02.95 - 09.98	100	X 20 XEV	
Astra F Cabriolet (53_B)	1.8 i 16V	11.94 - 03.01	85	C 18 XEL/X 18 XE	
	Astra F Caravan	1.8 i 16V	07.94 - 01.98	85	C 18 XEL/X 18 XE
		1.8 i 16V	06.93 - 01.98	92	C 18 XE
Astra F CC	2.0 i 16V	02.95 - 01.98	100	X 20 XEV	
	Astra F Classic CC	1.8 i 16V	09.94 - 01.98	85	C 18 XEL/X 18 XE
		1.8 i 16V	06.93 - 08.94	92	C 18 XE
Astra G Caravan (F35_)	2.0 i 16V	02.95 - 01.98	100	X 20 XEV	
	Astra G CC (F48_, F08_)	2.0 i	03.98 - 08.00	100	X 20 XEV
		2.0 i	10.99 - 08.00	118	X 20 XER
Astra G Sedan (F69_)	2.0 16V	02.98 - 07.04	100	X 20 XEV	
	2.0 16V	02.98 - 01.05	100	X 20 XEV	
	2.0 16V OPC	11.99 - 09.02	118	X 20 XER	
Calibra A (85_)	2.0 16V	09.98 - 01.05	100	X 20 XEV	
	2.0 i 16V 4x4	02.94 - 07.97	100	X 20 XEV	
	2.0 i Turbo 4x4	02.94 - 07.97	100	X 20 XEV	
Omega B (25_, 26_, 27_)	2.0 16V	03.92 - 07.97	150	C 20 LET	
Omega B Caravan	2.0 16V	03.94 - 09.99	100	X 20 XEV	
Vectra A (86_, 87_)	2.0 16V	03.94 - 09.99	100	X 20 XEV	
	2.0 i 16V 4x4	06.94 - 11.95	100	X 20 XEV	
Vectra A CC (88_, 89_)	2.0 i 16V	06.94 - 11.95	100	X 20 XEV	
Vectra B (36_)	1.8 i 16V	10.95 - 09.00	85	X 18 XE1	
	2.0 i 16V	10.95 - 09.00	100	X 20 XEV/C 20 SEL	
Vectra B Caravan (31_)	1.8 i 16V	11.96 - 09.00	85	X 18 XE1	
	2.0 i 16V	11.96 - 09.00	100	X 20 XEV/C 20 SEL	
Vectra B CC (38_)	1.8 i 16V	10.95 - 09.00	85	X 18 XE1	
	2.0 i 16V	10.95 - 09.00	100	X 20 XEV/C 20 SEL	

CL208

PIN	OEM-No.
	OPEL 90 350 021
	90 350 987
	90 369 434
	12 08 053
	SAAB 5171111
	42 26 031

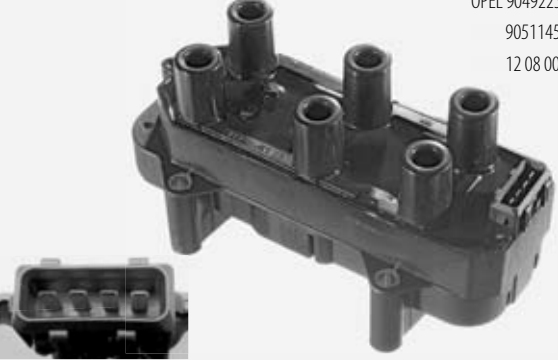


OPEL

Calibra A (85_)	2.0 i	06.90 - 07.97	85	C 20 NE	
	2.0 i 4x4	06.90 - 07.97	85	C 20 NE	
Frontera A (5_MWL4)	2.4 i	03.92 - 10.98	92	C 24 NE	
Frontera A Sport	2.0 i	03.92 - 10.98	85	C 20 NE/X 20 SE	
Kadett E (39_, 49_)	1.8 S	09.87 - 08.91	62	E 18 NV	
	1.8	09.87 - 08.90	84	18 E	
	2.0 i	03.87 - 08.91	85	20 NE	
Kadett E Cabriolet (43B_)	2.0 i cat	03.87 - 08.91	85	C 20 NE	
	2.0 i	10.86 - 02.93	85	20 NE	
	2.0 i cat	10.86 - 02.93	85	C 20 NE	
Kadett E Caravan	1.8 S	09.87 - 08.91	62	E 18 NV	
	2.0 i	09.87 - 08.91	85	20 NE	
Kadett E CC	1.8 S	09.87 - 08.91	62	E 18 NV/S 18 NV	
	2.0 GSI	09.86 - 08.91	85	20 NE	
	2.0 GSI cat	09.86 - 08.91	85	C 20 NE	
	2.0 GSI	09.86 - 08.91	95	20 SEH	
Omega A (16_, 17_, 19_)	1.8 N	09.86 - 08.87	60	18 NV	
	1.8	09.87 - 03.94	65	E 18 NVR	
	2.0	09.90 - 03.94	73	C 20 NEJ	
	2.0	09.90 - 03.94	74	C 20 NEF	
	2.0 i	09.86 - 03.94	85	C 20 NE	
	2.0	09.86 - 03.94	90	20 SE	
	2.4 i	09.88 - 03.94	92	C 24 NE	
	3.0	03.87 - 12.87	115	C 30 LE	
	3.0	03.87 - 09.90	130	30 NE	
	3.0 cat	03.88 - 03.94	130	C 30 NE	
Omega A Caravan	3.0 24V	09.89 - 03.94	147	C 30 SEJ	
	3.0 24V	09.89 - 03.94	150	C 30 SE	
	3.0 24V Evo	03.91 - 07.92	169	C 30 XEI	
	1.8 N	09.86 - 08.87	60	18 NV	
	1.8	09.87 - 03.94	65	E 18 NVR	
	2.0 i	09.90 - 03.94	73	C 20 NEJ	
	2.0	09.90 - 03.94	74	C 20 NEF	
	2.0 i	09.86 - 03.94	85	C 20 NE	
	2.0	09.86 - 03.94	90	20 SE	
	2.4 i	09.88 - 03.94	92	C 24 NE	
Senator B (29_)	3.0	03.87 - 03.94	115	C 30 LE	
	3.0 cat	03.87 - 03.94	130	C 30 NE	
	3.0 24V	09.89 - 03.94	147	C 30 SEJ	
	2.5 i	09.90 - 09.93	103	25 NE	
	2.6 i	09.90 - 09.93	110	C 26 NE	
	3.0	09.87 - 09.93	115	C 30 LE	
	3.0 24V	09.89 - 09.93	150	C 30 SE	
	Vectra A (86_, 87_)	2.0	09.88 - 09.89	74	C 20 NEF
		2.0 i	09.88 - 10.90	85	20 NE
		2.0 i cat	09.88 - 11.95	85	C 20 NE

CL208				
OPEL				
Vectra A (86_, 87_)	2.0i 4x4	01.89 - 10.90	85	20 NE
	2.0i 4x4 cat	01.89 - 11.95	85	C 20 NE
	2.0i	09.88 - 09.92	95	20 SEH
	2.0i 4x4	01.89 - 09.92	95	20 SEH
	2.0 GT 16V	01.89 - 06.94	110	20 XEJ
	2.0 16V 4x4	01.89 - 10.90	110	20 XEJ
	2.0i Turbo 4x4	06.94 - 11.95	150	C 20 LET
Vectra A CC (88_, 89_)	2.0	04.88 - 09.89	74	C 20 NEF
	2.0i	09.88 - 10.90	85	20 NE
	2.0i cat	09.88 - 11.95	85	C 20 NE
	2.0i GT	09.88 - 11.95	95	20 SEH
	2.0i 16V	02.89 - 10.90	110	20 XEJ

SAAB				
9-3 (YS3D)	2.0i	02.98 - 09.02	96	B204I
	2.0 SE Turbo	02.98 - 09.02	147	B204R
9-3 Cabriolet (YS3D)	2.0i	02.98 - 08.03	96	B204I
	2.0 Turbo	10.98 - 08.03	113	B204E
	2.0 Turbo	02.98 - 08.03	136	B205L/B204L
	2.0 Turbo	10.99 - 08.03	151	B205R
	2.0 SE Turbo	02.98 - 08.03	147	B204R
900 II	2.3i	02.98 - 08.03	110	B234I
	2.3-16	07.93 - 02.98	110	B234I
900 II Coupe	2.3-16	12.93 - 02.98	110	B234I
900 II Cabriolet	2.3-16	12.93 - 02.98	110	B234I

CL209				
PIN	OEM-No.			
	OPEL 90492255			
	90511450			
	12 08 007			
rectangular socket				

OPEL				
Omega B (25_, 26_, 27_)	2.5 V6	03.94 - 09.00	125	X 25 XE
	3.0 V6	04.94 - 02.01	155	X 30 XE
Omega B Caravan	2.5 V6	03.94 - 09.00	125	X 25 XE
	3.0 V6	04.94 - 02.01	155	X 30 XE
Vectra B (36_)	2.5 i	05.98 - 09.00	143	X 25 XE
Vectra B Caravan (31_)	2.5 i V6	11.96 - 09.00	125	X 25 XE
Vectra B CC (38_)	2.5 i V6	10.95 - 09.00	125	X 25 XE
Vectra B i500 (36_)	2.5 i V6	10.95 - 09.00	125	X 25 XE
Vectra B i500 Caravan	2.5 i	05.98 - 09.00	143	X 25 XE

CL210				
PIN	OEM-No.			
	OPEL 90 358 386			
	90 444 184			
	12 08 068			
	SAAB 4770046			

OPEL				
Calibra A (85_)	2.5 i V6	04.93 - 07.97	125	X 25 XE/C 25 XE
Omega B (25_, 26_, 27_)	2.5 V6	03.94 - 09.00	125	X 25 XE
	3.0 V6	04.94 - 02.01	155	X 30 XE
Omega B Caravan	2.5 V6	03.94 - 09.00	125	X 25 XE
	3.0 V6	04.94 - 02.01	155	X 30 XE
Vectra A (86_, 87_)	2.5 V6	02.93 - 11.95	125	C 25 XE
Vectra A CC (88_, 89_)	2.5 V6	02.93 - 11.95	125	C 25 XE

SAAB				
900 II	2.5-24 V6	07.93 - 02.98	125	B258I
900 II Coupe	2.5-24 V6	12.93 - 02.98	125	B258I
900 II Cabriolet	2.5-24 V6	12.93 - 02.98	125	B258I

CL211				
SAE	OEM-No.			
	DAEWOO 01115467			
	1115467			
	96165049			
DAEWOO				
Espero (KLEJ)	1.5	10.97 - 09.99	55	
	1.5 16V	10.93 - 09.94	65	
	1.5 16V	02.95 - 06.99	66	A15MF
	1.8	02.95 - 09.99	66	C18LE
	1.8	02.95 - 06.99	70	C18LE
	2.0	10.91 - 09.93	74	C20LZ
	2.0	02.95 - 06.99	77	C20LE
	2.0	10.93 - 09.94	81	C20LE
	Cielo (KLETN)	1.5	08.96 - 08.97	44
1.5		02.95 - 08.97	52	G15MF
1.5		02.95 - 08.97	55	G15MF
1.5 16V		02.95 - 08.97	66	A15MF
Cielo sedan (KLETN)	1.5	08.96 - 08.97	44	G15MF
	1.5	02.95 - 08.97	52	G15MF
	1.5	02.95 - 08.97	55	G15MF
	1.5 16V	02.95 - 08.97	66	A15MF
Nexia Sedan	1.5	07.08 -	59	Y15L
	1.6	07.08 -	80	F16D3

CL212

PIN	OEM-No.
	OPEL 10457870
	12 08 010



number of connectors: 4

OPEL

Astra G Caravan (F35_)	1.6	09.00 - 07.04	62	Z 16 SE
Astra G CC (F48_, F08_)	1.6	09.00 - 01.05	62	Z 16 SE
Astra G Sedan (F69_)	1.6	09.00 - 01.05	62	Z 16 SE
Astra G Van (F70)	1.6	09.00 - 04.05	62	Z 16 SE
Combo Tour	1.6	10.01 -	64	Z 16 SE
Combo Van/Combi	1.6	10.01 -	64	Z 16 SE
Meriva	1.6	05.03 - 05.10	64	Z 16 SE

CL213

OEM-No.
OPEL 90 532 618
90 543 059
12 08 306



OPEL

Agila (H00)	1.0 12V	09.00 -	43	Z 10 XE
Corsa B (73_, 78_, 79_)	1.0i 12V	11.96 - 09.00	40	X 10 XE
Corsa C (F08, F68)	1.0	09.00 -	43	Z 10 XE

CL214

OEM-No.
OPEL 90 543 253
90 560 110
12 08 012



OPEL

Agila (H00)	1.2 16V	09.00 -	55	Z 12 XE
Astra G Caravan (F35_)	1.2 16V	02.98 - 09.00	48	X 12 XE

CL214

OPEL

Astra G Caravan (F35_)	1.2 16V	09.00 - 07.04	55	Z 12 XE
Astra G CC (F48_, F08_)	1.2 16V	02.98 - 09.00	48	X 12 XE
	1.2 16V	09.00 - 01.05	55	Z 12 XE
Astra G Sedan (F69_)	1.2 16V	09.98 - 09.00	48	X 12 XE
	1.2 16V	09.00 - 01.05	55	Z 12 XE
Corsa B (73_, 78_, 79_)	1.2i 16V	03.98 - 09.00	48	X 12 XE
Corsa C (F08, F68)	1.2	09.00 -	55	Z 12 XE
Corsa C Van (F08, W5L)	1.2 16V	09.00 -	55	Z 12 XE

CL215

OEM-No.
OPEL 24 420 584
93 177 212
12 08 020



OPEL

Agila (H00)	1.2 16V Twinport	07.04 -	59	Z 12 XEP
Agila (H08)	1.0	04.08 -	48	K10B
	1.2	04.08 -	63	K12B
Astra G Caravan (F35_)	1.4	09.07 - 12.09	66	Z 14 XEP
Astra G CC (F48_, F08_)	1.4	09.07 - 12.09	66	Z 14 XEP
Astra G Sedan (F69_)	1.4	09.07 - 12.09	66	Z 14 XEP
Astra H	1.2	10.06 -	48	X 12 XE
	1.2	08.05 -	59	Z 12 XEP
	1.4	03.04 -	66	Z 14 XEP
Astra H Caravan	1.4	08.04 -	55	Z 14 XEL
	1.4	08.04 -	66	Z 14 XEP
	1.4 LPG	08.09 -	66	Z 14 XEP
Astra H GTC	1.2	10.06 -	48	X 12 XE
	1.2	08.05 -	59	Z 12 XEP
	1.4	03.05 -	66	Z 14 XEP
Combo Tour	1.4	10.04 -	66	Z 14 XEP
Combo Van/Combi	1.4 16V	08.05 -	66	Z 14 XEP
Corsa C (F08, F68)	1.2	09.00 -	55	Z 12 XE
	1.2 Twinport	07.04 -	59	Z 12 XEP
	1.4 Twinport	06.03 -	66	Z 14 XEP
Corsa C Van (F08, W5L)	1.2 16V	09.00 -	55	Z 12 XE
	1.2	07.05 -	59	Z 12 XEP
	1.4	08.03 -	66	Z 14 XEP
Corsa D	1.2	06.10 -	51	A 12 XEL
	1.2	07.06 -	59	Z 12 XEP
	1.2 LPG	09.09 -	59	Z 12 XEP
	1.2	06.10 -	63	A 12 XER
	1.4	09.09 -	64	A 14 XEL
	1.4	07.06 -	66	Z 14 XEP
	1.4 LPG	07.06 -	66	Z 14 XEP
	1.4	06.10 -	74	A 14 XER
Corsa D Van	1.2	06.10 -	51	A 12 XEL
	1.2	07.09 -	59	Z 12 XEP
Meriva	1.4 16V Twinport	07.04 - 05.10	66	Z 14 XEP
	1.4 16V TP LPG	07.04 - 05.10	66	Z 14 XEP

CL215

CL215				
OPEL				
Tigra TwinTop	1.4	06.04 -	66	Z 14 XEP

CL216		OEM-No.		
SAE		DAEWOO 96291054	CHEVROLET 96291054	



CHEVROLET				
Matiz	0.8	03.05 -	38	F8CV
	0.8 LPG	03.05 -	38	F8CV
Spark	0.8	05.05 -	37	F8CV

CL217		OEM-No.		
		OPEL 24 420 622	93 180 806	
			12 08 028	



OPEL				
Agila (H00)	1.0	08.03 -	44	Z 10 XEP
Corsa C (F08, F68)	1.0	06.03 -	44	Z 10 XEP
Corsa D	1.0	07.06 -	44	Z 10 XEP
	1.0	01.10 -	48	A 10 XEP
Corsa D Van	1.0	01.10 -	48	A 10 XEP

CL218		OEM-No.		
		OPEL 90 424 480	62 35 037	
			91 98 834	



OPEL				
Astra G Cabriolet	2.0 OPC	03.02 - 10.05	141	Z 20 LET
	2.0 16V Turbo	11.02 - 10.05	147	Z 20 LET/Z 20 LER

CL218				
OPEL				
Astra G Caravan (F35_)	2.0 OPC	09.02 - 07.04	141	Z 20 LET
	2.0 OPC	11.02 - 07.04	147	Z 20 LET/Z 20 LER
Astra G CC (F48_, F08_)	2.0 OPC	09.02 - 01.05	141	Z 20 LET
	2.0 OPC	11.02 - 01.05	147	Z 20 LET/Z 20 LER
Astra G Coupe (F07_)	2.0 16V Turbo	09.00 - 08.01	140	Z 20 LET
	2.0 16V Turbo	08.01 - 05.05	141	Z 20 LET
	2.0 16V Turbo	11.02 - 05.05	147	Z 20 LET/Z 20 LER
Astra H	2.0 Turbo	03.04 -	125	Z 20 LEL
	2.0 Turbo	09.04 -	147	Z 20 LER
	2.0 Turbo	03.05 -	177	Z 20 LEH
Astra H Caravan	2.0 Turbo	08.04 -	125	Z 20 LEL
	2.0 Turbo	09.04 -	147	Z 20 LER
Astra H GTC	2.0 Turbo	03.05 -	125	Z 20 LEL
	2.0 Turbo	03.05 -	147	Z 20 LER
	2.0 Turbo	08.05 -	177	Z 20 LEH
Astra H TwinTop	2.0 Turbo	09.05 -	125	Z 20 LEL
	2.0 Turbo	09.05 -	147	Z 20 LER
Speedster	2.0 Turbo	04.03 -	147	Z 20 LET
Zafira (F75_)	2.0 OPC	09.01 - 06.05	141	Z 20 LET
	2.0 OPC	11.02 - 06.05	147	Z 20 LET/Z 20 LER
Zafira (A05)	2.0	07.05 -	147	Z 20 LER
	2.0	01.06 -	177	Z 20 LEH

CL219		OEM-No.		
PIN		OPEL 90 443 900	90 449 572	
			12 08 065	



OPEL				
Astra F Caravan	2.0i 16V	03.93 - 01.98	110	C 20 XE
Astra F CC	2.0 GSI 16V	09.91 - 01.98	110	C 20 XE
Calibra A (85_)	2.0i 16V	06.90 - 02.94	110	C 20 XE
	2.0i 16V 4x4	06.90 - 02.94	110	C 20 XE
Frontera A (5_MWL4)	2.2 i	03.95 - 10.98	100	X 22 XE
Omega B (25_, 26_, 27_)	2.0	03.94 - 12.00	85	20 SE
	2.0	03.94 - 09.99	85	X 20 SE
Omega B Caravan	2.0	03.94 - 09.99	85	X 20 SE
Vectra A (86_, 87_)	2.0 GT 16V cat	02.90 - 11.95	110	C 20 XE
	2.0 GT 16V 4x4	02.90 - 11.95	110	C 20 XE
Vectra A CC (88_, 89_)	2.0i 16V cat	02.90 - 11.95	110	C 20 XE
Vectra B (36_)	2.0 i	10.95 - 04.02	82	20 NEJ
Vectra B Caravan (31_)	2.0 i	11.96 - 02.02	82	20 NEJ
Vectra B CC (38_)	2.0 i	10.95 - 02.02	82	20 NEJ



number of connectors: 3

CHEVROLET

Model	Power	Year Range	Engine	Part No.	
Aveo CC (T200, T250)	1.2	04.08 -	62	B12D1	
	1.4	04.08 -	74	F14D4	
	Aveo Sedan (T200, T250)	1.2	03.06 -	53	F12S3
		1.2	01.08 -	62	B12D1
		1.4	03.06 -	69	F14D3
Captiva (C100, C140)	1.4	01.08 -	74	F14D4	
	1.5	05.05 -	62	F15S3	
	2.4	06.06 -	100	Z 24 SED	
	2.4 LPG	01.07 -	100	Z 24 SED	
	2.4 4WD	06.06 -	100	Z 24 SED	
	2.4 LPG 4WD	01.07 -	100	Z 24 SED	
	2.4	12.06 -	103	Z 24 SED	
	2.4 4WD	12.06 -	103	Z 24 SED	
Cruze (J300)	2.4	03.11 -	123	A 24 XE/LE5	
	2.4 4WD	03.11 -	123	A 24 XE/LE5	
	1.6	05.09 -	80	F16D3	
	1.6	05.09 -	83	F16D4	
Evanda	1.6	05.09 -	91	F16D4	
	2.0	03.05 -	96	X 20 SED	
	Kalos	1.2	03.05 -	53	B12S1
1.4		03.05 -	61	F14S3	
1.4 16V		03.05 -	69	F14D3	
Kalos Sedan		1.2	03.05 -	53	F12S3
	1.4	03.05 -	61	F14S3	
	1.4 16V	03.05 -	69	F14D3	
Lacetti (J200)	1.8	08.05 -	89	F18D3	
	1.8	03.05 -	90	T18SED	
Matiz	1.0	03.05 -	47	B10S	
	1.0	03.05 -	49	B10S1	
	1.0 LPG	03.05 -	49	B10S1	
Nubira Sedan	1.8	03.05 -	90	T18SED	
Nubira Combi	1.8	03.05 -	90	T18SED	
Tacuma	1.6	03.05 -	77	A16DMS	
	1.6	08.05 -	79	A16DMS	
	2.0	03.05 -	89	T20SED	
	2.0	08.05 -	90	T20SED	
Spark	1.0 SX	05.05 -	46		
Spark (M300)	1.0	03.10 -	50	B10D1	
	1.2	03.10 -	60	B12D1	

DAEWOO

Evanda (KLAL)	2.0	08.02 -	96	L88/X 20 SED
Kalos (KLAS)	1.2	04.03 -	53	B12S1
	1.4	09.02 -	61	F14S3
	1.4 16V	04.03 -	69	F14D3
Kalos Sedan (KLAS)	1.4	11.02 - 12.04	61	F14S3
	1.4	05.03 - 12.04	69	F14D3

CL220				
DAEWOO				
Lacetti (KLAN)	1.8	02.04 -	90	T18SED
Lanos (KLAT)	1.5	05.97 -	63	A15SMS
Matiz (KLYA)	1.0	01.03 -	47	B10S
Nubira Sedan (KLAN)	1.8	07.03 -	90	T18SED
Nubira Wagon (KLAN)	1.8	07.03 -	90	T18SED
Tacuma (KLAU)	1.8	09.00 -	67	F18D2
	1.8	09.00 -	72	A18DMS
	1.8	09.00 -	74	
	2.0	09.01 -	89	X 20 SED
	2.0	09.00 -	94	T20SED

OPEL				
Antara	2.4	05.06 -	104	Z 24 XED
	2.4 FWD	09.08 -	103	Z 24 XE



CL221				
OEM-No.				
ALFA ROMEO 71739725				
FIAT 71739725				
GM 10458316				
OPEL 10458316				
12 08 021				

ALFA ROMEO

159	1.8 MPI	03.07 -	103	939 A4.000
	1.8 Tbi	05.09 -	147	939 B1.000
159 Sportwagon	1.8 MPI	03.07 -	103	939 A4.000
	1.8 Tbi	05.09 -	147	939 B1.000

FIAT

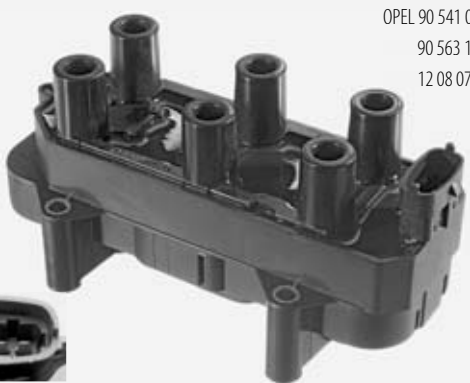
Croma (194)	1.8 16V	12.05 -	103	939 A4.000
Stilo (192)	1.6 16V	05.05 -	77	192 B30

OPEL

Astra G Cabriolet	1.6	01.03 - 10.05	76	Z 16 XEP
Astra G Caravan (F35_)	1.6	12.02 - 07.09	76	Z 16 XEP
Astra G Coupe (F07_)	1.6 16V	03.00 - 05.05	76	Z 16 XEP
Astra G CC (F48_, F08_)	1.6	12.02 - 01.05	76	Z 16 XEP
Astra G Sedan (F69_)	1.6	12.02 - 01.05	76	Z 16 XEP
Astra H	1.6	03.04 -	77	Z 16 XEP
	1.6	12.06 -	85	A 16 XER/Z 16 XER
	1.6 Turbo	02.07 -	132	Z 16 LET
	1.8	01.06 -	103	Z 18 XER/A 18 XER
Astra H Caravan	1.6	08.04 -	77	Z 16 XEP
	1.6	12.06 -	85	A 16 XER/Z 16 XER
	1.6 Turbo	02.07 -	132	Z 16 LET
Astra H GTC	1.8	08.05 -	103	Z 18 XER/A 18 XER
	1.6	03.05 -	77	Z 16 XEP
	1.6	12.06 -	85	Z 16 XER
Astra H TwinTop	1.6 Turbo	02.07 -	132	Z 16 LET
	1.8	01.06 -	103	Z 18 XER
	1.6	09.05 -	77	Z 16 XE1/Z 16 XEP
Corsa D	1.6	12.06 -	85	Z 16 XER
	1.6	12.06 -	85	Z 16 XER
	1.6 Turbo	02.07 -	132	Z 16 LET
Corsa D	1.8	09.05 -	103	Z 18 XER/A 18 XER
	1.6 Turbo	02.07 -	110	Z 16 LEL/A 16 LEL

CL221				
OPEL				
Corsa D	1.6 Turbo	02.07 -	141	A 16 LER/Z 16 LER
Insignia	1.6 Turbo	07.08 -	132	A 16 LET
Insignia Sedan	1.6 Turbo	01.09 -	132	A 16 LET
Insignia Sports Tourer	1.6 Turbo	01.09 -	132	A 16 LET
Meriva	1.6	01.06 - 05.10	77	Z 16 XEP
	1.6 Turbo	09.05 - 05.10	132	Z 16 LET
Signum	1.8	09.05 -	103	Z 18 XER
Vectra C	1.6	01.06 -	77	Z 16 XEP
	1.8	01.06 -	103	Z 18 XER
Vectra C Caravan	1.6	01.06 -	77	Z 16 XEP
	1.8	01.06 -	103	Z 18 XER
Vectra C GTS	1.6	01.06 -	77	Z 16 XEP
	1.8	01.06 -	103	Z 18 XER
Zafira (A05)	1.6	07.05 -	77	Z 16 XE1/Z 16 XEP
	1.6	01.08 -	85	A 16 XER/Z 16 XER
	1.6 CNG Turbo	02.09 -	110	A 16 XNT/Z 16 XNT
Zafira Van	1.8	07.05 -	103	Z 18 XEP/- XER/A 18 XER
	1.8	07.05 -	103	Z 18 XEP/- XER/A 18 XER


CL222	
PIN	OEM-No.
	OPEL 90 541 062
	90 563 160
	12 08 075



oval socket

OPEL				
Omega B (25_, 26_, 27_)	2.5 V6	03.94 - 09.00	125	X 25 XE
	3.0 V6	04.94 - 02.01	155	X 30 XE
Omega B Caravan	2.5 V6	03.94 - 09.00	125	X 25 XE
	3.0 V6	04.94 - 02.01	155	X 30 XE

CL223	
	OEM-No.
	OPEL 90 564 334
	12 08 213
	91 95 819



OPEL				
Omega B (25_, 26_, 27_)	2.2 16V	09.99 - 07.03	106	Y 22 XE/Z 22 XE
Omega B Caravan	2.2 16V	09.99 - 07.03	106	Y 22 XE/Z 22 XE

CL224	
	OEM-No.
	FIAT 71739285
	OPEL 12 567 686
	12 569 342
	12 580 537
	12 08 026
	12 08 551
	12 08 553



FIAT				
Croma (194)	2.2 16V	06.05 -	108	194 A1.000

OPEL				
Astra G Cabriolet	2.2 16V	03.01 - 10.05	108	Z 22 SE
Astra G Caravan (F35_)	2.2 16V	03.01 - 07.04	108	Z 22 SE
Astra G Coupe (F07_)	2.2 16V	09.00 - 05.05	108	Z 22 SE
Astra G CC (F48_, F08_)	2.2 16V	03.01 - 01.05	108	Z 22 SE
Astra G Sedan (F69_)	2.2 16V	03.01 - 01.05	108	Z 22 SE
Speedster	2.2	09.00 -	108	Z 22 SE
Vectra B (36_)	2.2 i 16V	09.00 - 04.02	108	Z 22 SE
Vectra B Caravan (31_)	2.2 i 16V	09.00 - 07.03	108	Z 22 SE
Vectra B CC (38_)	2.2 i 16V	09.00 - 07.03	108	Z 22 SE
Vectra C	2.2 16V	04.02 -	108	Z 22 SE
Vectra C GTS	2.2 16V	08.02 -	108	Z 22 SE
Zafira (F75_)	2.2 16V	09.00 - 06.05	108	Z 22 SE

CL225	
DIN	OEM-No.
	DAEWOO 96453420
	CHEVROLET 96453420



CHEVROLET				
Lacetti (J200)	1.4 16V	03.05 -	70	F14D3
	1.6	03.05 -	80	F16D3
Nubira Sedan	1.4	01.05 -	69	F14D3
	1.4	01.06 -	70	F14D3
Nubira Combi	1.6	03.05 -	80	F16D3
	1.6	03.05 -	80	F16D3

DAEWOO				
Lacetti (KLAN)	1.4	02.04 -	70	F14D3
	1.6	02.04 -	80	F16D3
Nubira Sedan (KLAN)	1.6	07.03 -	80	F16D3
Nubira Wagon (KLAN)	1.6	07.03 -	80	F16D3

CL226



OEM-No.
 OPEL 9 153 250
 93 172 030
 62 35 124

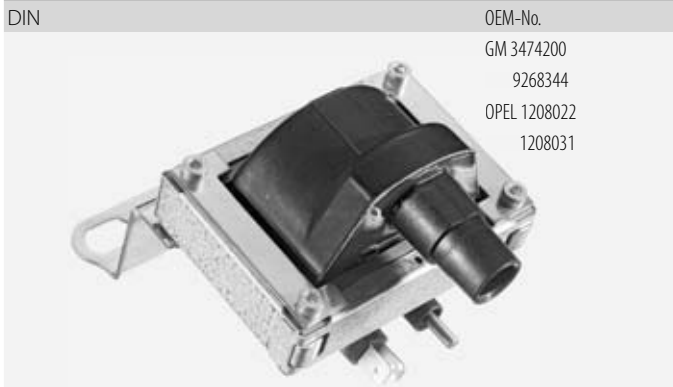
ALFA ROMEO

159	2.2 JTS	09.05 -	136	939 A5.000
159 Sportwagon	2.2 JTS	03.06 -	136	939 A5.000
Brera	2.2 JTS	01.06 -	136	939 A5.000
Spider (939)	2.2 JTS	09.06 -	136	939 A5.000

OPEL

Signum	2.2 direct	05.03 -	114	Z 22 YH
Vectra C	2.2 direct	10.03 -	114	Z 22 YH
Vectra C Caravan	2.2 direct	10.03 -	114	Z 22 YH
Vectra C GTS	2.2 direct	10.03 -	114	Z 22 YH
Zafira (A05)	2.2	07.05 -	110	Z 22 YH

CL228



OEM-No.
 GM 3474200
 9268344
 OPEL 1208022
 1208031

OPEL

Ascona A	1.9 SR	03.75 - 08.75	65	19 S
	1.9 SR	03.71 - 02.75	66	19 S
Ascona A Voyage	1.9 SR	03.75 - 08.75	65	19 S
	1.9 SR	10.70 - 02.75	66	19 S
Ascona B	1.9 N	08.76 - 08.81	55	19 N
	1.9 S	09.75 - 08.81	66	19 S
	2.0 S	08.77 - 08.81	74	20 S
	2.0 E	08.79 - 08.81	81	20 E
Corsa A CC	1.0	09.82 - 03.93	33	10 S
	1.2	09.82 - 08.90	33	12 NC
Corsa A TR	1.0	09.82 - 09.92	33	10 S
	1.2 N	01.85 - 10.87	33	E 12 GV/12 NC
Corsa A Van	1.0	02.86 - 04.89	33	10 S
	1.2	02.86 - 04.89	33	E 12 GV/12 NC
Kadett C	1.2	08.73 - 04.77	38	12 N
	1.2	08.73 - 07.79	40	12 N
	1.6 S	05.77 - 07.79	55	16 S
Kadett C Caravan	1.2	08.73 - 04.77	38	12 N
	1.2	08.73 - 07.79	40	12 N
	1.6 S	05.77 - 07.79	55	16 S

CL228

Kadett C City	1.2	05.75 - 04.77	38	12 N
	1.2	07.76 - 07.79	40	12 N
	1.6 S	05.77 - 07.79	55	16 S
Kadett C Coupe	1.6 S	05.77 - 07.79	55	16 S
	1.9 GT/E	09.75 - 07.77	77	19 E
	2.0 E Rallye	08.77 - 07.79	81	20 E
	2.0 GT/E	08.77 - 07.79	85	20 EH
Kadett D	1.2	08.79 - 07.82	39	12 N
	1.2	08.82 - 08.84	40	12 ST
Kadett D Caravan	1.2	08.79 - 07.82	39	12 N
Kadett E (39_, 49_)	1.2	09.84 - 07.86	40	12 SC
Kadett E Caravan	1.2	09.84 - 07.86	40	12 SC
Kadett E CC	1.2	09.84 - 07.86	40	12 SC
Kadett E Van (37_, 47_)	1.2	09.84 - 07.86	40	12 SC
Manta A (58_, 59_)	1.6	02.75 - 08.75	44	16 N
	1.6	09.70 - 08.75	50	16 N
	1.6	02.75 - 08.75	55	16 S
	1.9 S	09.70 - 08.75	66	19 S
	1.9 GT/E	02.74 - 08.75	77	19 E
	1.6 N	09.75 - 12.80	44	16 N
Manta B (58_, 59_)	1.6 S	09.75 - 12.81	55	16 S
	1.9 S	09.75 - 12.80	66	19 S
	1.9 E	09.75 - 08.77	77	19 E
	2.0 S	08.77 - 08.84	74	20 S
	2.0 E	08.77 - 08.88	81	20 E
	1.6 N	09.75 - 12.80	44	16 N
Manta B CC (53_, 55_)	2.0 S	08.77 - 08.84	74	20 S
	2.0 E	08.77 - 08.88	81	20 E

CL229



OEM-No.
 OPEL 90 584 336
 12 08 209
 91 18 114

for cylinder 1 & 3 & 5

OPEL

Omega B (25_, 26_, 27_)	2.6 V6	09.00 - 07.03	132	Y 26 SE
	3.2 V6	02.01 - 07.03	160	Y 32 SE
Omega B Caravan	2.6 V6	09.00 - 07.03	132	Y 26 SE
	3.2 V6	02.01 - 07.03	160	Y 32 SE
Signum	3.2 V6	05.03 -	155	Z 32 SE
Vectra B (36_)	2.6 iV6	09.00 - 04.02	125	Y 26 SE
Vectra B Caravan (31_)	2.6 iV6	09.00 - 07.03	125	Y 26 SE
Vectra B CC (38_)	2.6 iV6	09.00 - 07.03	125	Y 26 SE
Vectra C	3.2 V6	08.02 -	155	Z 32 SE
Vectra C Caravan	3.2 V6	10.03 -	155	Z 32 SE
Vectra C GTS	3.2 V6	08.02 -	155	Z 32 SE

CL230



OEM-No.
OPEL 90 584 337
12 08 210
91 18 115

for cylinder 2 & 4 & 6

OPEL

Omega B (25_, 26_, 27_)	2.6 V6	09.00 - 07.03	132	Y 26 SE
	3.2 V6	02.01 - 07.03	160	Y 32 SE
Omega B Caravan	2.6 V6	09.00 - 07.03	132	Y 26 SE
	3.2 V6	02.01 - 07.03	160	Y 32 SE
Vectra B (36_)	2.6 i V6	09.00 - 04.02	125	Y 26 SE
Vectra B CC (38_)	2.6 i V6	09.00 - 07.03	125	Y 26 SE
Vectra B Caravan (31_)	2.6 i V6	09.00 - 07.03	125	Y 26 SE

CL231



OEM-No.
DAEWOO 94582699

DAEWOO

Tico (KLY3)	0.8	02.95 - 12.00	35	F8C
	0.8	01.96 - 12.00	38	F8CV

CL232

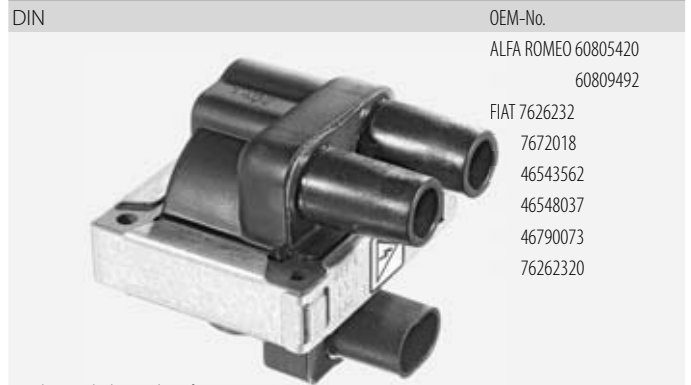


OEM-No.
GM 1208015
55350843
90173708
93173708

OPEL

Signum	3.2 V6	05.03 -	155	Z 32 SE
Vectra C	3.2 V6	08.02 -	155	Z 32 SE
Vectra C Caravan	3.2 V6	10.03 -	155	Z 32 SE
Vectra C GTS	3.2 V6	08.02 -	155	Z 32 SE

CL300



OEM-No.
ALFA ROMEO 60805420
60809492
FIAT 7626232
7672018
46543562
46548037
46790073
76262320

2 coils per vehicle, number of connectors: 2

ALFA ROMEO

33 (907A)	1.4 i.e.	06.91 - 09.94	65	AR 30755/AR 30753
	1.4 i.e.	06.91 - 09.94	66	AR 30755/AR 30753
33 Sportwagon (907B)	1.4 i.e.	06.91 - 09.94	65	AR 30755
	1.4 i.e.	06.91 - 09.94	66	AR 30755
	1.4 i.e. 4x4	06.91 - 09.94	66	AR 30587/AR 30755
145 (930)	1.4 i.e.	07.94 - 12.96	66	AR 33501
	1.4 i.e.	12.94 - 12.96	66	AR 33501
155 (167)	2.0 16V Turbo Q4	01.92 - 12.97	137	AR 67203
	2.0 16V Turbo Q4	01.92 - 12.97	140	AR 67203

FIAT

Cinquecento (170)	0.7 i	07.94 - 01.98	22	170 A.046
	0.7	12.91 - 01.96	23	170 A.000
	0.9 i.e. S	07.91 - 07.99	29	1170 A1.000/1170 A1.046
	0.9	07.91 - 12.93	30	170 A1.000
	0.9 i.e.	07.91 - 12.93	30	170 A1.046
	1.1 Sporting	10.94 - 01.98	40	176 B2.000
Coupe (FA/175)	2.0 16V Turbo	11.93 - 08.96	140	175 A1.000
Doblo (119)	1.2	03.01 -	48	223 A5.000
Doblo Cargo (223)	1.2	03.01 -	48	223 A5.000
Palio (178BX)	1.0	04.96 -	45	
	1.0	04.96 -	56	
	1.2	06.98 -	54	178 B5.000/ 178E2.000
	1.4	04.96 -	51	178 B2.000
	1.4 cat	04.96 -	51	178 B2.016
Palio Weekend (178DX)	1.2	02.01 -	44	178 C4.066/188 A4.000
	1.2	04.96 - 02.01	54	178 B5.000
Panda (141A_)	0.9	04.92 - 12.96	29	1170 A1.046
	1.0 i.e. cat	10.87 - 08.98	33	141 C2.000/156 A2.246
	1.1	05.91 - 12.99	37	156 C.046
	1.1 Trekking 4x4	10.91 - 07.04	37	156 C.046
	1.1	02.95 - 09.03	40	187 A1.000/176 B2.000
	1.1 4x4	02.95 - 07.04	40	176 B2.000
Panda (169)	1.1	09.03 -	40	187 A1.000
	1.2	09.03 -	44	188 A4.000
	1.2 Bi-Power	01.07 -	44	188 A4.000
	1.2 LPG	04.09 -	44	188 A4.000
	1.2 4x4	10.04 -	44	188 A4.000
	Panda Van (141_)	1.0 i.e.	08.92 - 02.04	33
Panda Van (169)	1.2	09.04 -	44	188 A4.000
	1.2 4x4	09.04 -	44	188 A4.000
Punto 55 (176)	1.1	09.93 - 09.99	40	176 A6.000/176 B2.000
Punto 60 (176)	1.2	01.94 - 09.99	43	176 A7.000
	1.2	03.94 - 09.99	44	176 B1.000/176 B4.000
Punto 60 Cabrio (176C)	1.2	04.94 - 06.00	43	176 A7.000
	1.2	05.95 - 06.00	44	176 B1.000/176 B4.000
Punto 60 (188)	1.2	09.99 -	44	188 A4.000

CL300



CL300				
FIAT				
Punto 60 (188)	1.2 Natural Power	09.03 -	44	188 A4.000
Punto 60 Van (188AX)	1.2	02.00 -	44	188 A4.000
Punto 75 (176)	1.2	10.93 - 09.99	54	176 A8.000
Punto 85 (176)	1.2 16V	04.97 - 09.99	63	176 B9.000
Punto 85 Cabrio (176C)	1.2 16V	04.97 - 06.00	63	176 B9.000
Punto Van (176L)	1.1	04.96 - 02.00	40	176 B2.000
Seicento (187)	0.9	01.98 -	29	1170 A1.046
	1.1	01.98 -	40	187 A1.000/176 B2.000
Siena (178_)	1.2	09.98 -	54	178 B5.000
	1.4	04.96 -	51	178 B2.000
	1.4 cat	04.96 -	51	178 B2.016
Strada (178E)	1.2	04.03 -	44	188 A4.000
	1.2	06.99 -	54	178 B5.000
Tempra (159)	1.8 i.e.	09.93 - 08.96	66	835 C4.000
	1.8 i.e.	10.94 - 08.96	74	836 A5.000
	1.8 i.e.	09.93 - 08.96	76	835 C2.000
Tempra S.W. (159)	1.8 i.e.	09.93 - 08.96	66	835 C4.000
	1.8 i.e.	10.94 - 08.96	74	836 A5.000
	1.8 i.e.	09.93 - 08.96	76	835 C2.000
Tipo (160)	1.8 i.e.	09.93 - 04.95	66	835 C4.000
	1.8 i.e.	03.93 - 04.95	71	836 A5.000
	1.8 i.e.	10.94 - 04.95	74	159 A4.000
	1.8 i.e.	04.93 - 04.95	76	835 C2.000

LANCIA				
Dedra (835)	1.8 i.e.	07.94 - 07.99	74	836 A5.000
Dedra SW (835)	1.8 i.e.	07.94 - 07.99	74	836 A5.000
Delta I (831AB0) Integrale	2.0 16V HF Evo	06.93 - 01.94	155	831 E5.046/831 E5.000
Delta II (836)	1.8 i.e.	07.94 - 08.99	66	835 C4.000/836 C4./A6.000
	1.8 i.e.	12.94 - 08.99	76	835 C2.000
	2.0 16V Turbo	06.93 - 08.99	137	836 A2.000
	2.0 16V Turbo	07.96 - 08.99	142	175 A4.000
Thema (834)	2.0 i.e. 16V	02.89 - 05.92	104	834 B2.246
	2.0 i.e. 16V Turbo	04.89 - 05.92	130	834 C1.246
	2.0 16V Turbo	12.88 - 06.90	133	834 C1.000
Thema SW (834)	2.0 i.e. 16V	02.89 - 05.92	104	834 B2.246
	2.0 Turbo	01.89 - 03.92	110	834 C.146
	2.0 i.e. 16V Turbo	04.89 - 03.93	130	834 C1.246
	2.0 i.e. 16V Turbo	12.88 - 06.90	133	834 C1.000
Y (840A)	1.1	11.95 - 09.03	40	176 B2.000
	1.2	03.96 - 09.03	44	840 A3.000/188 A4.000
	1.2 16V	04.97 - 09.03	63	176 B9.000
Ypsilon (843)	1.2	10.03 -	44	188 A4.000

CL301				
			OEM-No.	
			FIAT 46777286	
			55180004	
 <p>1 coil per cylinder</p>				
FIAT				
Doblo (119)	1.6 16V	10.01 -	76	182 B6.000
Doblo Cargo (223)	1.6 16V	10.01 -	76	182 B6.000
Palio Weekend (178DX)	1.6 16V	02.01 -	76	182 B6.000
Stilo (192)	1.6 16V	10.01 -	76	182 B6.000
Stilo Multi Wagon (192)	1.6 16V	01.03 -	76	182 B6.000

CL302				
			PIN	OEM-No.
				ALFA ROMEO 60558152
				60809606
				76487970
				FIAT 7648797
				60558152
				60809606
				76487970
				LANCIA 60558152
				60809606
				76487970
				LANDROVER ERR 6045
				ERR6566
				PROTON PW811201
				PSA 5970 53



ALFA ROMEO				
155 (167)	1.7 T.S.	04.93 - 04.96	83	AR 67103
	1.7 T.S.	04.93 - 04.96	85	AR 67105
	1.8 T.S.	02.92 - 12.97	77	AR 67402
	1.8 T.S. Sport	01.92 - 12.96	93	AR 67101/AR 67102
	1.8 T.S.	02.92 - 06.93	95	AR 67101
	2.0 T.S.	02.92 - 02.95	104	AR 67202
	2.0 T.S.	02.92 - 04.93	106	AR 67201
164 (164)	2.0 T.S.	09.92 - 09.98	106	AR 64103
	2.0 T.S.	06.87 - 12.90	109	AR 06420

CITROEN				
Jumpy (U6U)	1.6	10.95 -	58	220 A2.000/1580 SPI
Jumpy Van	1.6 i	10.95 -	58	220 A2.000/1580 SPI

FIAT				
Brava (182)	1.2 16V 80	10.00 - 10.01	59	188 A5.000
	1.2 16V 80	12.98 - 10.00	60	182 B2.000
	1.4	10.95 - 10.01	55	182 A5.000
	1.4 12V	10.95 - 08.98	59	182 A3.000
Bravo I (182)	1.2 16V 80	10.00 - 10.01	59	188 A5.000
	1.2 16V 80	12.98 - 10.00	60	182 B2.000
	1.4	10.95 - 10.01	55	182 A5.000
	1.4	10.95 - 10.01	59	182 A3.000
Croma (154)	2.0 16V	08.92 - 08.96	101	154 E1.000
Fiorino 70 Van (146 Uno)	1.4 i.e.	11.96 - 05.01	49	146 C5.000/146 D5.000
Fiorino 75 Van (146 Uno)	1.6 i.e.	10.93 - 05.01	55	146 D6.000/146 C6.000
Fiorino Pick Up (146)	1.4	05.94 - 05.01	49	146 D5.000
Marea (185)	1.2 16V	10.98 -	60	182 B2.000
Marea 80 (185)	1.4 12V	09.96 -	59	182 A3.000
Marea 80 Weekend (185)	1.4 12V	09.96 -	59	182 A3.000
Marea Weekend (185)	1.2 16V	10.98 -	60	182 B2.000
Punto (176)	1.4 GT Turbo	09.96 - 09.99	96	176 B6.000
	1.4 GT Turbo	01.94 - 09.96	98	176 A4.000
Punto 80 (188)	1.2 16V	09.99 -	59	188 A5.000
Scudo Combinato	1.6	02.96 -	58	220 A 2.000
Scudo Van (220L)	1.6	02.96 -	58	220 A 2.000
Tempra (159)	1.4 i.e.	03.95 - 08.96	51	836 A4.000/160 A1.046
	1.6 i.e.	06.92 - 08.96	55	835 C1.000
Tempra S.W. (159)	1.4 i.e.	10.92 - 08.96	51	836 A4.000
	1.6 i.e.	10.92 - 08.96	55	835 C1.000
Tipo (160)	1.4 i.e.	05.89 - 04.95	51	836 A4.000
	1.6 i.e.	10.92 - 04.95	55	835 C1.000

KIA				
Sportage (K00)	2.0i 16V	10.99 - 08.03	94	FE (16 V)
	2.0i 16V 4WD	04.94 - 08.03	94	FE (16 V)

LANCIA				
Dedra (835)	1.6 i.e.	04.93 - 07.99	55	835 C1.000

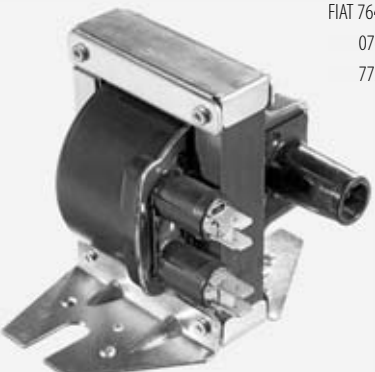
CL302

CL302				
LANCIA				
Delta II (836)	1.4 i.e.	10.94 - 08.99	51	836 A4.000
	1.6 i.e.	06.93 - 08.99	55	835 C1.000
Kappa (838A)	2.0 16V Turbo	02.95 - 10.01	151	838 A4.000
Kappa Coupe (838)	2.0 16V Turbo	11.96 - 03.01	151	838 A4.000
Kappa SW (838B)	2.0 16V Turbo	07.96 - 10.01	151	838 A4.000
Thema (834)	2.0 i.e.	09.87 - 05.92	85	834 B.146
	2.0 16V	08.92 - 12.93	112	834 F1.000
	2.0 16V Turbo	10.92 - 07.94	148	834 F2.000
Thema SW (834)	2.0 16V	05.92 - 07.94	112	834 F1.000
	2.0 Turbo 16V	11.92 - 07.94	148	834 F2.000
Y10 (156)	1.1 i.e. Fire	10.92 - 09.95	37	156 C.046
	1.1 i.e. Fire 4WD	10.92 - 12.95	37	156 C.046
	1.1 Avenue	01.95 - 12.95	40	176 B2.000
	1.1 Avenue 4WD	01.95 - 12.95	40	176 B2.000
Y (840A)	1.2 16V	10.00 - 09.03	59	188 A5.000
	1.4 12V	03.96 - 09.03	55	840 A4.000
	1.4 12V	10.96 - 09.03	59	840 A2.000

LANDROVER			
Discovery II (LJ, LT)	4.0V8	11.98 - 06.04	136
	3.9	07.94 - 03.02	140 42 D
	4.0	06.98 - 03.02	136
	4.6	06.98 - 03.02	160
	4.6	07.94 - 03.02	165 46 D

PEUGEOT			
Expert (224)	1.6	02.96 -	58 222A2 (1580 SPI)
Expert Van (222)	1.6	02.96 -	58 222A2 (1580 SPI)
Expert Flatbed (223)	1.6	02.96 -	58 222A2 (1580 SPI)

PROTON			
Gen 2 (CM_)	1.3	06.04 -	70 S4PE
	1.6	06.04 -	82 S4PH
Wira	1.3	08.00 -	55 4 G 13
	1.5	08.00 -	64 4 G 15
Wira Hatchback	1.3	08.00 -	55 4 G 13
	1.5	08.00 -	64 4 G 15 M

CL303				
DIN	OEM-No.			
	FIAT 7646975			
	07694335			
	7753777			
flat (6,3 x 0,8 mm) connectors				

FIAT				
Croma (154)	2.0 CHT	12.85 - 02.89	66	154 A1.000
	2.0 i.e.	03.86 - 09.90	83	834 B.048
Regata 75 (138)	1.5 i.e.	10.85 - 07.89	55	149 C1.000/138 C2.048
Regata 75 Weekend	1.5 i.e. cat	12.86 - 07.89	55	138 C2.048
Uno 75 (146A/E)	1.5 i.e.	10.85 - 12.93	55	138 C2.048

LANCIA				
Y10 (156)	1.3 i.e. Fire	02.89 - 12.95	53	156 B.000/146 A 5.046

CL304				
DIN	OEM-No.			
	FIAT 7582152			
	7663177			
	7698431			
	7746152			
	7746154			
number of connectors: 4				

FIAT				
Panda (141A_)	1.0	01.85 - 12.92	37	156 A3.000
	1.0 4x4	01.86 - 12.92	37	156 A3.000
	1.1	05.91 - 12.99	37	156 C.046
	1.1 Trekking 4x4	10.91 - 07.04	37	156 C.046
Tipo (160)	1.1	01.88 - 10.91	41	160 A3.000
	1.4 i.e.	05.89 - 04.95	51	836 A4.000/160 A1.046
	1.4	07.87 - 12.89	52	160 A1.000
	1.4 i.e.	05.89 - 04.95	57	159 A2.000
Uno 45 (146A/E)	1.0	01.88 - 12.93	32	156 A2.048/156 A2.100
	1.0 i.e.	01.88 - 10.95	33	156 A2.246
Uno 50 (146A/E)	1.1 i.e.	06.92 - 12.93	36	146 C3.000
Uno 60 (146A/E)	1.1	04.89 - 12.92	42	160 A3.000
	1.1	01.88 - 08.89	43	146 A4.048
Uno 75 (146A/E)	1.5 i.e.	10.89 - 12.93	55	149 C1.000

LANCIA				
Y10 (156)	1.0 Fire	06.85 - 06.91	32	156 A 2.100
	1.0 Fire 4WD	12.86 - 02.89	32	156 A 2.100
	1.0 Fire	03.85 - 06.89	33	156 A 2.000
	1.0 Fire cat	10.87 - 02.92	33	156 A2.246
	1.1 i.e. Fire	07.89 - 09.92	37	156 C.046
	1.1 i.e. Fire 4WD	09.92 - 09.92	37	156 C.046

CL305				
PIN	OEM-No.			
	ALFA ROMEO 46469863			
	FIAT 46469863			
	2 coils and ignition lead set T100C/T599C			

ALFA ROMEO				
145 (930)	1.4 i.e. 16V T.S.	12.96 - 01.01	76	AR 33503/AR 38501
	1.6 i.e. 16V T.S.	12.96 - 01.01	88	AR 67601/AR 38201
	1.8 i.e. 16V	03.98 - 01.01	106	AR 32201
	2.0 16V Quadrifog.	03.98 - 01.01	114	AR 32301
146 (930)	1.4 i.e. 16V T.S.	11.96 - 01.01	76	AR 33503/AR 38501
	1.6 i.e. 16V T.S.	11.96 - 01.01	88	AR 67601/AR 38201
	1.8 i.e. 16V T.S.	03.98 - 01.01	106	AR 32201
	2.0 16V Quadrifog.	03.98 - 01.01	114	AR 32301



CL305

ALFA ROMEO

156 (932)	1.8 16V.T.S.	09.97 - 10.00	106	AR 32201
	2.0 16V.T.S.	09.97 - 10.00	114	AR 32301
166 (936)	2.0 T.S.	09.98 - 10.00	114	AR 34103
GTV (916C_)	1.8 16V	05.98 -	106	AR 32201
	2.0 T.S. 16V	06.95 -	110	AR 16201/AR 32310
	2.0 T.S. 16V	05.98 - 08.00	114	AR 32301
Spider (916S_)	1.8 16V	05.98 - 04.05	106	AR 32201
	2.0 T.S. 16V	06.95 - 04.05	110	AR 16201/AR 32310
	2.0 T.S. 16V	05.98 - 08.00	114	AR 32301

CL306

PIN	OEM-No.
	ALFA ROMEO 7793212



2 coils and ignition lead set T100C/T599C

ALFA ROMEO

145 (930)	1.4 i.e. 16V.T.S.	12.96 - 01.01	76	AR 33503/AR 38501
	1.6 i.e. 16V.T.S.	12.96 - 01.01	88	AR 67601/AR 38201
	1.8 i.e. 16V.T.S.	12.96 - 12.98	103	AR 38401/AR 67106
	2.0 16V.T.S.	10.95 - 01.01	110	AR 67204
146 (930)	1.4 i.e. 16V.T.S.	11.96 - 01.01	76	AR 33503/AR 38501
	1.6 i.e. 16V.T.S.	11.96 - 01.01	88	AR 67601/AR 38201
	1.8 i.e. 16V.T.S.	11.96 - 01.01	103	AR 38401/AR 67106
	2.0 16V.T.S.	10.95 - 01.01	110	AR 67204
155 (167)	1.6 16V.T.S.	05.96 - 12.97	88	AR 67601
	1.7 T.S. 16V	05.96 - 12.97	103	AR 67106
	2.0 T.S. 16V	03.95 - 12.97	110	AR 67204
156 (932)	1.6 16V.T.S.	09.97 - 09.05	88	AR 32102/-32103/-32104
156 Sportwagon (932)	1.6 16V.T.S.	05.00 - 05.06	88	AR 32102/-32103/-32104
Spider (916S_)	2.0 T.S. 16V	06.95 - 04.05	110	AR 16201/AR 32310

CL307

PIN	OEM-No.
	ALFA ROMEO 46755605
	FIAT 46755605



2 coils and ignition lead set T100C/T599C

ALFA ROMEO

147 (937)	1.6 16V.T.S. Eco	01.01 -	77	AR 37203
	1.6 16V.T.S.	01.01 -	88	AR 32104
	2.0 16V.T.S.	01.01 -	110	AR 32310

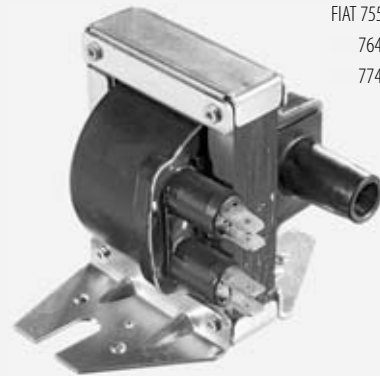
CL307

ALFA ROMEO

156 (932)	1.6 16V.T.S.	09.97 - 09.05	88	AR 32102/-32103/-32104
	1.8 16V.T.S.	10.00 - 09.05	103	AR 32205
	2.0 16V.T.S.	10.00 - 03.02	110	AR 32310
156 Sportwagon (932)	1.6 16V.T.S.	05.00 - 05.06	88	AR 32102/-32103/-32104
	1.8 16V.T.S.	10.00 - 05.06	103	AR 32205
	1.8 16V.T.S.	05.00 - 10.00	106	AR 32201
	2.0 16V.T.S.	10.00 - 03.02	110	AR 32310
	2.0 16V.T.S.	05.00 - 10.00	114	AR 32301
166 (936)	2.0 T.S.	10.00 -	110	AR 36301
GT	1.8 T.S.	11.03 -	103	AR 32205
Spider (916S_)	2.0 T.S. 16V	06.95 - 04.05	110	AR 16201/AR 32310

CL308

DIN	OEM-No.
	FIAT 7553120
	7646974
	7746153



flat (6,3 x 0,8 mm) connectors

FIAT

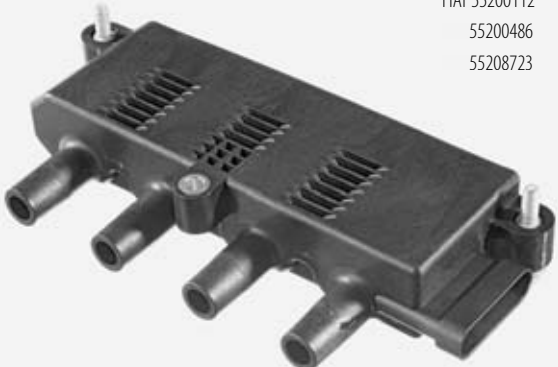
Duna 60 (146 B)	1.1	01.87 - 12.91	43	146 A6.000
Duna 60 Weekend	1.1	01.87 - 12.91	43	146 A6.000
Duna 70 (146 B)	1.3	01.87 - 12.91	49	146 A5.000
Duna 70 Weekend	1.3	01.87 - 12.91	49	146 A5.000
Elba (146_)	1.5	01.92 - 12.96	55	149 C1.000
Fiorino (127)	1.05	01.80 - 12.87	37	127 A.000
Fiorino (147)	1.0	01.80 - 12.87	37	127 A.000
	1.3	12.87 - 08.93	49	146 A5.000
Fiorino 60 Van (146 Uno)	1.1	05.88 - 12.93	40	146 A9.000
Fiorino 70 Van (146 Uno)	1.3	01.88 - 12.94	49	146 A5.000
Fiorino Pick Up (146)	1.3	01.88 - 12.94	49	146 A5.000
Panda (141A_)	0.75	01.86 - 01.95	25	156 A4.000
	0.75	01.86 - 01.95	25	141 B.000
Panda Van (141_)	0.75	01.86 - 07.92	25	141 B.000
Ritmo I 70 (138A)	1.3	11.83 - 08.85	48	149 A3.000/149 A7.000
Ritmo I 75 (138A)	1.5 i.e.	10.85 - 05.87	55	149 C1.000/138 C2.048
Ritmo II 75 (138A)	1.5	09.85 - 12.88	55	138 A2.000
	1.5 cat	09.85 - 12.88	55	149 C1.000/138 C2.048
Uno 45 (146A/E)	1.0	06.86 - 12.87	32	156 A2.048/156 A2.100
	1.0 i.e.	04.84 - 12.87	33	156 A2.246
Uno 60 (146A/E)	1.1	05.85 - 12.87	43	146 A4.048
Uno 75 (146A/E)	1.5 i.e.	01.86 - 12.89	55	138 C2.048

LANCIA

Delta I (831AB0)	1.3	09.79 - 08.92	55	831 A2.000/831 B.000
	1.5	09.79 - 12.92	63	831 A1.000/831 B1.000
Y10 (156)	1.0 Fire	03.85 - 07.89	41	156 A.000
	1.1 i.e.	08.89 - 06.92	42	156 C.000
	1.1 i.e. 4WD	08.89 - 06.92	42	156 C.000

CL309

PIN	OEM-No.
	FIAT 55200112
	55200486
	55208723



FIAT

500	1.2	10.07 -	51	169 A4.000
500 C	1.2	09.09 -	51	169 A4.000
Doblo (119)	1.4	10.05 -	57	350 A1.000
Doblo Cargo (223)	1.4	10.05 -	57	350 A1.000
Fiorino Van/Combi (225)	1.4 Natural Power	10.09 -	57	350 A1.000
Idea	1.4	10.05 -	57	350 A1.000
Linea (323)	1.4	06.07 -	57	350 A1.000
Punto / Grande Punto	1.2	10.05 -	48	199 A4.000
	1.4	10.05 -	57	350 A1.000
Punto Evo	1.2	10.09 -	48	199 A4.000
	1.4	10.09 -	57	350 A1.000

FORD

Ka	1.2	10.08 -	51	FP4
----	-----	---------	----	-----

LANCIA

Musa (350)	1.4	09.05 -	57	350 A1.000
Ypsilon (843)	1.4	02.06 -	57	350 A1.000

CL310

PIN	OEM-No.
	FIAT 4677288



1 coil per cylinder

ALFA ROMEO

Mito (955)	1.4	09.08 -	70	199 A6.000
------------	-----	---------	----	------------

FIAT

500	1.4	10.07 -	74	169 A3.000
500 C	1.4	09.09 -	74	169 A3.000
Bravo II (198)	1.4	04.07 -	66	192 B2.000
Doblo (152)	1.4	02.10 -	70	843 A1.000
Doblo Cargo (263)	1.4	02.10 -	70	843 A1.000
Idea	1.2 16V	01.04 -	59	188 A5.000
	1.4 16V	01.04 -	70	843 A1.000
Panda (169)	1.4	10.06 -	74	169 A3.000
Punto (188)	1.4	09.03 -	70	843 A1.000
Punto / Grande Punto	1.4 16V	10.05 -	70	199 A6.000
Stilo (192)	1.2 16V	02.02 -	59	188 A5.000
	1.4 16V	03.05 -	66	192 B2.000

CL310

FIAT

Stilo (192)	1.4 16V	01.04 -	70	843 A1.000
Stilo Multi Wagon (192)	1.4 16V	03.05 -	66	192 B2.000
	1.4 16V	01.04 -	70	843 A1.000
Ducato Van (250)	3.0 Natural Power	04.09 -	100	F1CE0441A

LANCIA

Musa (350)	1.4	10.04 -	70	843 A1.000
Ypsilon (843)	1.2	10.03 -	59	188 A5.000
	1.4 16V	10.03 -	70	843 A1.000

CL311

PIN	OEM-No.
	FIAT 4677287
	48776830



1 coil per cylinder

FIAT

Stilo (192)	2.4 20V	10.01 -	125	192 A2.000
-------------	---------	---------	-----	------------

CL312

PIN	OEM-No.
	FIAT 7789346
	46446039
	46472440
	46480361



FIAT

Brava (182)	1.6 16V	10.95 - 10.01	66	182 A6.000
	1.6 16V	02.96 - 10.01	76	182 A4.000
Bravo I (182)	1.6 16V	10.95 - 10.01	66	182 A6.000
	1.6 16V	03.96 - 10.01	76	182 A4.000
Doblo (119)	1.6 Natural Power	09.02 -	76	182 B6.000
Doblo Cargo (223)	1.6 Natural Power	09.02 -	76	182 B6.000
Marea 100 (185)	1.6 16V	09.96 -	76	182 A4.000
	1.6 16V Bipower	04.99 -	76	186 A4.000/185 A3.000
Marea 100 Weekend	1.6 16V	09.96 -	76	182 A4.000
Multipla (186)	1.6 16V	04.02 - 12.10	70	182 B6.000
	1.6	09.00 -	76	182 B6.000
	1.6 16V Blupower	04.99 -	70	186 A3.000
	1.6 16V Bipower	04.99 -	76	186 A4.000
	1.6 16V Bipower	10.01 -	76	182 B6.000
Multipla 100 (186)	1.6 16V	04.99 -	76	182 A4.000
Palio (178BX)	1.6 16V	04.96 -	74	178 B3.000
Palio Weekend (178DX)	1.6 16V	04.96 - 02.01	74	178 B3.000
	1.6 16V	02.01 -	76	182 B6.000
Siena (178_)	1.6 16V	09.98 -	78	178 B3.000

CL312

LANCIA

Dedra (835)	1.6 16V	01.96 - 07.99	76	182 A4.000
Dedra SW (835)	1.6 16V	01.96 - 07.99	76	182 A4.000
Delta II (836)	1.6 i.e.	03.96 - 08.99	66	182 A6.000
	1.6 i.e. 16V	01.96 - 08.99	76	182 A4.000
Lybra (839AX)	1.6 16V	07.99 -	76	182 A4.000
Lybra SW (839BX)	1.6 16V	07.99 -	76	182 A4.000

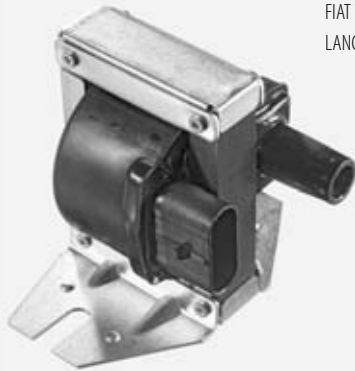
CL313

DIN

OEM-No.

FIAT 7746151

LANCIA 7588436



number of connectors: 4

FIAT

Croma (154)	2.0 CHT	07.88 - 02.89	66	154 A1.000
	2.0 i.e.	10.87 - 08.96	85	154 C3.046/834 B.146
	2.0 i.e.	03.87 - 09.92	88	834 B.000/154 C3.000
Fiorino 70 Van (146 Uno)	1.4 i.e.	05.94 - 10.96	49	146 C5.000/146 D5.000
Fiorino 75 Van (146 Uno)	1.5 i.e.	05.88 - 12.93	55	149 C1.000
	1.6 i.e.	10.93 - 05.01	55	146 D6.000/146 C6.000
Fiorino Pick Up (146)	1.4	05.94 - 09.00	49	146 D5.000
	1.6	01.94 - 05.01	55	146 D6.000/146 C6.000
Regata 75 (138)	1.5 i.e.	07.86 - 07.89	55	149 C1.000/138 C2.048
Tempra (159)	1.4 i.e.	03.92 - 02.95	51	836 A4.000/160 A1.046
	1.6 i.e.	06.92 - 08.96	55	159 A3.048
	1.6 i.e.	06.90 - 07.92	57	159 A3.046
	1.6	03.90 - 04.93	63	159 A3.000
Tempra S.W. (159)	1.4 i.e.	10.92 - 08.96	51	160 A1.046
	1.6 i.e.	10.92 - 08.96	55	159 A3.048
	1.6 i.e.	10.90 - 08.96	57	159 A3.046/835 C1.000
	1.6	12.90 - 04.93	63	159 A3.000
Tipo (160)	1.4 i.e.	05.89 - 04.95	51	160 A1.046
	1.4	07.87 - 12.89	52	160 A1.048
	1.6 i.e.	10.92 - 04.95	55	159 A3.048
	1.6 i.e.	07.90 - 01.93	57	159 A3.046
	1.6	01.88 - 10.91	61	160 A2.000
Uno 70 (146A/E)	1.4 i.e.	09.89 - 12.93	51	160 A1.046
	1.4 S	09.89 - 10.92	52	160 A1.048
Uno 75 (146A/E)	1.5 i.e.	10.85 - 12.93	55	149 C1.000

LANCIA

Dedra (835)	1.6 i.e.	08.89 - 03.93	57	835 A1.046
Delta II (836)	1.4 i.e.	10.94 - 08.99	51	160 A1.046
Thema (834)	2.0 i.e.	03.86 - 09.88	83	834 B.048
	2.0 i.e.	10.88 - 05.92	85	834 B.146
	2.0 i.e.	09.88 - 05.92	86	834 B1.000
	2.0 i.e. Turbo	07.86 - 05.90	110	834 C.146
Y10 (156)	1.3 i.e. Fire	09.92 - 12.95	53	156 B.000/146 A 5.046

CL314

OEM-No.

FIAT 46460582



1 coil per cylinder

FIAT

Barchetta (183)	1.8 16V	04.95 - 07.99	96	183 A1.000/188 A6.000
Brava (182)	1.8 GT 16V	10.95 - 06.98	83	182 A2.000
Bravo I (182)	1.8 GT	10.95 - 06.98	83	182 A2.000
Coupe (FA/175)	1.8 16V	03.96 - 08.00	96	183 A1.000
Marea 115 (185)	1.8 16V	09.96 - 06.99	83	182 A2.000
Marea 115 Weekend	1.8 16V	09.96 - 06.99	83	182 A2.000

LANCIA

Dedra (835)	1.8 16V LE	03.96 - 07.99	83	182 A2.000
	1.8 GT 16V	03.96 - 07.99	96	183 A1.000
Dedra SW (835)	1.8 16V LE	03.96 - 07.99	83	182 A2.000
	1.8 GT 16V	03.96 - 07.99	96	183 A1.000
Delta II (836)	1.8 i.e.	06.93 - 08.99	76	835 C2.000

CL315

OEM-No.

FIAT 46473849



1 coil per cylinder

FIAT

Barchetta (183)	1.8 16V	07.99 -	96	183 A1.000/188 A6.000
Brava (182)	1.8 GT 16V	06.98 - 10.01	83	182 A2.000
Bravo I (182)	1.8 GT	06.98 - 10.01	83	182 A2.000
Coupe (FA/175)	1.8 16V	03.96 - 08.00	96	183 A1.000
Marea 115 (185)	1.8 16V	06.99 -	83	182 A2.000
Marea 115 Weekend	1.8 16V	06.99 -	83	182 A2.000
Punto 130 (188)	1.8 HGT	09.99 -	96	183 A1.000/188 A6.000
Stilo (192)	1.8 16V	10.01 -	98	192 A4.000
Stilo Multi Wagon (192)	1.8 16V	01.03 -	98	192 A4.000

LANCIA

Delta II (836)	1.8 i.e. 16V	03.96 - 08.99	83	182 A2.000
	1.8 i.e. 16V GT	03.96 - 08.99	96	183 A1.000
Lybra (839AX)	1.8 16V	07.99 -	96	839 A7.000/839 A4.000
Lybra SW (839BX)	1.8 16V	07.99 -	96	839 A7.000/839 A4.000

CL316

DIN OEM-No.

FIAT 4439396



FIAT

126	0.65	07.77 - 09.87	17	126 A1.000/126 A1.048
	0.7	09.87 - 06.96	19	126 A2.000/126 A2.048
Panda (141A_)	0.65	01.82 - 07.04	22	141 A.000

CL317

OEM-No.

FIAT 46403328



1 coil per cylinder, rectangular socket

FIAT

Bravo I (182)	2.0 HGT 20V	10.95 - 07.98	108	182 A1.000
Coupe (FA/175)	2.0 20V	08.96 - 04.98	108	182 A1.000
	2.0 20V Turbo	08.96 - 08.00	162	175 A3.000
Marea 150 (185)	2.0 20V	09.96 - 04.99	108	182 A1.000
Marea 150 Weekend	2.0 20V	09.96 - 04.99	108	182 A1.000

LANCIA

Kappa (838A)	2.0 20V	10.94 - 10.01	107	838 A1.000
	2.0 20V	07.96 - 10.01	114	838 A6.000
	2.0 20V Turbo	06.98 - 10.01	162	175 A3.000
	2.4 20V	08.94 - 10.01	129	838 A2.000/838 A2.027
Kappa Coupe (838)	2.0 20V	07.96 - 03.01	114	838 A6.000
	2.0 20V Turbo	06.98 - 03.01	162	175 A3.000
	2.4 20V	11.96 - 03.01	129	838 A2.000
Kappa SW (838B)	2.0 20V	07.96 - 10.01	114	838 A6.000
	2.0 20V Turbo	06.98 - 10.01	162	175 A3.000
	2.4 20V	07.96 - 10.01	129	838 A2.000

CL318

OEM-No.

ALFA ROMEO 46467542

FIAT 46467542

LANCIA 46467542



1 coil per cylinder

FIAT

Bravo I (182)	2.0 HGT 20V	07.98 - 10.01	113	182 B7.000
Coupe (FA/175)	2.0 20V	04.98 - 08.00	113	182 B3.000
Marea 150 (185)	2.0 20V	01.01 -	110	185 A8.000
Marea 155 (185)	2.0 20V	04.99 - 01.01	113	182 B7.000
Marea 150 Weekend	2.0 20V	01.01 -	110	185 A8.000
Marea 155 Weekend	2.0 20V	04.99 - 01.01	113	182 B7.000

LANCIA

Kappa (838A)	2.0 20V	07.96 - 10.01	114	838 A6.000
	2.4 20V	08.94 - 10.01	129	838 A2.000/838 A2.027
Kappa SW (838B)	2.0 20V	07.96 - 10.01	114	838 A6.000
	2.4 20V	07.96 - 10.01	129	838 A2.000
Lybra (839AX)	2.0 20V	09.00 -	110	185 A8.000
	2.0 20V	07.99 - 09.00	113	182 B7.000
Lybra SW (839BX)	2.0 20V	09.00 -	110	185 A8.000
	2.0 20V	07.99 - 09.00	113	182 B7.000
Thesis (841AX)	2.0 Turbo	07.02 -	136	841 E.000
	2.4	07.02 -	125	841 D.000

CL319

PIN OEM-No.

ALFA ROMEO 60586072

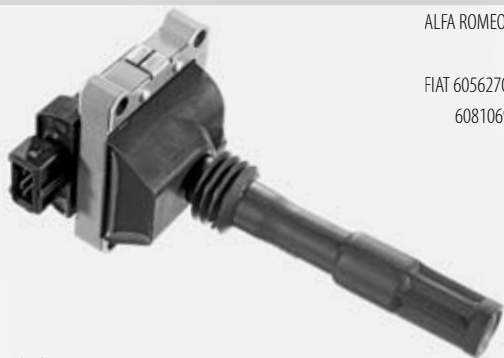
FIAT 60586072



ALFA ROMEO

33 (907A)	1.5 i.e.	01.90 - 09.94	71	AR 30751
33 Sportwagon (907B)	1.5 i.e.	01.90 - 09.94	71	AR 30751
145 (930)	1.6 i.e.	10.94 - 12.96	76	AR 33201
	1.7 i.e. 16V	10.94 - 12.96	95	AR 33401
146 (930)	1.6 i.e.	12.94 - 12.96	76	AR 33201
	1.7 i.e. 16V	12.94 - 12.96	95	AR 33401

CL320



OEM-No.
ALFA ROMEO 60562701
60810690
FIAT 60562701
60810690

1 coil per cylinder

ALFA ROMEO

147 (937)	3.2 GTA	02.03 -	184	932 A.000
156 (932)	2.5 V6 24V	09.97 - 12.01	140	AR 32401/AR 32402
	2.5 V6 24V	10.00 - 09.05	141	AR 32405
	3.2 GTA	03.02 - 09.05	184	932 A.000
156 Sportwagon (932)	2.5 V6 24V	05.00 - 10.00	140	AR 32401
	2.5 V6 24V	10.00 - 05.06	141	AR 32405
	3.2 GTA	03.02 - 05.06	184	932 A.000
164 (164)	3.0	02.88 - 10.92	147	
	3.0	03.95 - 10.97	154	AR 66302
	3.0 24V	09.92 - 09.98	155	AR 66301/AR 66302
	3.0	04.93 - 02.95	168	AR 64304
	3.0 24V Q4	02.94 - 09.98	170	AR 64308/AR 64307
	3.0 24V QV	09.92 - 09.98	171	AR 64304
166 (936)	3.0 Allrad	11.92 - 10.97	171	
	2.5 V6 24V	10.00 -	138	AR 36201
	2.5 V6 24V	09.98 - 10.00	140	AR 34201
	3.0 V6 24V	10.00 -	162	AR 36101
GT	3.0 V6 24V	09.98 - 10.00	166	AR 34301
	3.2 V6 24V	10.03 -	176	936 A.000
	3.2 V6 24V	10.03 -	176	936 A.000
GT	3.2 GTA	11.03 -	176	936 A.000
GTV (916C_)	3.0 V6 24V	10.00 -	160	AR 16105
	3.0 V6 24V	10.96 - 10.00	162	AR 16102
	3.2 V6 24V	04.03 -	176	936 A6.000
Spider (916S_)	3.0 V6	10.00 - 04.05	160	AR 16105
	3.2 V6 24V	04.03 - 04.05	176	936 A6.000

LANCIA

Kappa (838A)	3.0 24V	08.94 - 10.01	150	838 B.000
Kappa Coupe (838)	3.0 24V	11.96 - 03.01	150	838 B.000
Kappa SW (838B)	3.0 24V	07.96 - 10.01	150	838 B.000
Thesis (841AX)	3.0 V6	07.02 -	158	841 A.000
	3.2 V6	05.03 -	169	841 L.000

CL321



OEM-No.
ALFA ROMEO 46794782
FIAT 46794782

1 coil per cylinder

CL321

ALFA ROMEO

156 (932)	2.0 JTS	03.02 - 09.05	122	937 A1.000
156 Sportwagon (932)	2.0 JTS	03.02 - 05.06	122	937 A1.000
159	1.9 JTS	09.05 -	118	939 A6.000
159 Sportwagon	1.9 JTS	03.06 -	118	939 A6.000
GT	2.0 JTS	11.03 -	121	932 A2.000/937 A1.000
GTV (916C_)	2.0 JTS	04.03 -	121	937 A1.000
Spider (916S_)	2.0 JTS	04.03 - 04.05	121	937 A1.000

CL323



OEM-No.
FIAT 55209603
55213613

1 coil per cylinder

ALFA ROMEO

Giulietta (940)	1.4 TB	04.10 -	88	198 A4.000
Mito (955)	1.4	09.08 -	88	198 A4.000
	1.4 TB	09.08 -	114	199 A8.000

FIAT

500	1.4 Abarth	08.08 -	99	312 A1.000
Bravo II (198)	1.4 T-Jet	09.07 -	88	198 A4.000
	1.4 16V	03.08 -	103	198 A7.000
	1.4 T-Jet	09.07 -	110	198 A1.000
Linea (323)	1.4 T-Jet	09.07 -	88	198 A4.000
Punto / Grande Punto	1.4 T-Jet	09.07 -	88	198 A4.000
	1.4 Abarth	12.07 -	114	199 A8.000

LANCIA

Delta III (844)	1.4	09.08 -	88	198 A4.000
	1.8	01.09 -	147	939 B1.000

CL324



OEM-No.
ALFA ROMEO 55212624
FIAT 55212624

1 coil per cylinder

ALFA ROMEO

Mito (955)	1.4	08.10 -	77	955 A6.000
------------	-----	---------	----	------------

FIAT

500	1.4 Abarth	08.08 -	118	312 A1.000
	1.4 Abarth	08.08 -	132	312 A3.000
	1.4 Abarth	08.08 -	140	

CL324

CL324

FIAT

Punto Evo	1.4 16V	10.09 -	77	955 A6.000
-----------	---------	---------	----	------------

CL400

FORD OEM-No.

FORD 1008886	6503280	85F12029A1A	FORD F37Z 12029 A
1008887	6860288	928F 12029 CA	F5LU12029AA
1018139	6860289	938F 12024 DA	F5LY 12029 A
1018140	12029CA	96FB12257AB	F5OU12029AA
1649067	1E0518100	E8TF12029AA	F5OY12029A
6181956	1E0518100A	E8TZ-12029-A	MAZDA F5OY12029B
6503277	88SF 12029 A1A	E9TF-12029-AA	F5RZ12029C
6503278	88SF 12029 A2A	F1VU12029A1A	F5D718100
6503279	88SF 12029 AA	F1VU12029A2A	ZZM018100
	89BF 12024 A1B	F1VY12029A	



FORD

Escort IV	1.3	07.88 - 10.90	46	JBA
	1.6 i	08.89 - 07.90	75	LJB
	1.6 XR3i	01.86 - 08.89	77	LRB/LR2
Escort IV Combi	1.3	01.86 - 07.90	44	JLA/JBB/JLB
Escort IV Cabriolet (ALF)	1.6 i	08.89 - 07.90	75	LJB
Escort V (GAL)	1.4	07.90 - 09.92	52	F6F/F6G
	1.6	07.90 - 12.92	77	LJF
	1.8 16V XR3i	02.92 - 12.92	77	RDA
	1.8 16V XR3i	02.92 - 12.92	96	RQB
Escort V Combi	1.4	07.90 - 09.92	52	F6F/F6G
	1.6	07.90 - 09.92	77	LJF
	1.8 16V	02.92 - 12.92	77	RDA
Escort V Cabriolet (ALL)	1.4	07.90 - 12.92	52	F6F/F6G
	1.6	07.90 - 12.92	77	LJF
	1.8 16V XR3i	02.92 - 12.92	77	RDA
	1.8 16V XR3i	02.92 - 12.92	96	RQB
Escort VI (GAL)	1.3	09.92 - 01.95	44	J6A/J4B
	1.4	09.92 - 01.95	52	F6F/F6G
	1.4	01.94 - 01.95	55	F4B/FUH
	1.6 i 16V	01.94 - 01.95	65	L1H
	1.6 i 16V	09.92 - 01.95	66	L1E
	1.8 i 16V	09.92 - 01.95	77	RDA
	1.8 16V XR3i 4x4	08.93 - 01.95	77	RDA
	1.8 16V XR3i	09.92 - 01.95	96	RQB
	1.8 16V XR3i 4x4	08.93 - 01.95	96	RQB
Escort VI Sedan (GAL)	1.3	08.93 - 01.95	44	J6A/J4B
	1.4	08.93 - 04.94	52	F6F/F6G
	1.4	08.93 - 01.95	55	F4B/FUH
	1.6 i 16V	01.94 - 01.95	65	L1H
	1.6 i 16V	08.93 - 01.95	66	L1E/L1K
	1.8 i 16V	08.93 - 01.95	77	RDA
Escort VI Combi (GAL)	1.3	09.92 - 01.95	44	J6A/J4B

CL400

FORD

Escort VI Combi (GAL)	1.4	09.92 - 01.94	52	F6F/F6G
	1.4	01.94 - 01.95	55	F4B/FUH
	1.6 i 16V	01.94 - 01.95	65	L1H
	1.6 i 16V	09.92 - 01.95	66	L1E
	1.8 i 16V	01.93 - 01.95	77	RDA
	1.8 i 16V	02.93 - 01.95	96	RQB
Escort VI Cabriolet (ALL)	1.4	12.92 - 04.94	52	F6F/F6G
	1.4 i	07.93 - 01.95	55	F4B
	1.6 i 16V	02.94 - 01.95	65	L1H
	1.6 16V XR3i	12.92 - 01.95	66	L1E
	1.8 16V XR3i	12.92 - 01.95	77	RDA
	1.8 16V XR3i	12.92 - 01.95	96	RQB
Escort VII	1.3	01.95 - 08.98	44	J6A/J4B
	1.4	01.95 - 10.98	55	F4B
	1.6 i 16V	01.95 - 08.95	65	L1H
	1.6 16V	01.95 - 10.98	66	L1E
	1.6 16V 4x4	01.95 - 10.98	66	L1E
	1.8 16V	01.95 - 08.95	77	RDA
	1.8 16V	01.95 - 10.98	85	RKC
	1.8 16V	01.95 - 10.98	85	RKC
Escort VII Sedan	1.3	01.95 - 08.98	44	J6A/J4B
	1.4	01.95 - 02.99	55	F4B/FUH
	1.6 i 16V	01.95 - 08.95	65	L1H
	1.6 i 16V	01.95 - 02.99	66	L1E/L1K
	1.8 16V	01.95 - 08.95	77	RDA
	1.8 16V	01.95 - 02.99	85	RKC
Escort VII Combi	1.3	01.95 - 08.98	44	J6A/J4B
	1.4	01.95 - 02.99	55	F4B/FUH
	1.6 i 16V	01.95 - 08.95	65	L1H
	1.6 16V	01.95 - 02.99	66	L1E
Escort VII Cabriolet (ALL)	1.4	02.95 - 08.98	55	F4B
	1.6 16V XR3i	02.95 - 12.96	65	L1H
	1.6 16V XR3i	02.95 - 09.99	66	L1E
	1.8 16V XR3i	02.95 - 08.98	77	RDA
Escort Classic	1.6 16V	10.98 - 07.00	66	L1E
	1.6 16V	02.99 - 07.00	66	L1E
	1.6 16V	02.99 - 07.00	66	L1E
Escort,86 Express (AVF)	1.3	02.86 - 07.90	44	JLA/JBB/JLB
	1.3	07.88 - 07.90	46	JBA
Escort,91 Express (AVL)	1.4	07.90 - 12.94	52	F6F/F6G
Escort,95 Express (AVL)	1.4	01.95 -	54	F4B
Fiesta III (GFJ)	1.1	03.89 - 12.95	37	G6A
	1.1	03.89 - 12.95	40	GUD/GUE
	1.3	03.89 - 12.95	44	
	1.3	03.89 - 12.92	44	JBC
	1.3 cat	05.91 - 01.97	44	J6B
	1.4	03.89 - 12.95	52	F6E
	1.4	03.89 - 12.95	54	FUG/FUJ
	1.4 cat	03.89 - 12.95	54	F4A
	1.6	01.89 - 01.94	65	LUH
	1.6 i 16V	01.94 - 12.95	65	L1G
Fiesta IV (JA_ JB_)	1.6	03.89 - 12.92	66	LUH
	1.6 XR2i	03.89 - 03.93	76	LJD
	1.6 Turbo	03.90 - 10.92	96	LHA
	1.8 XR2i 16V	02.92 - 12.95	96	RQC
	1.25 i 16V	08.95 - 04.98	55	DHG/-B/-E/-F/DHA/DHD
	1.3 i	08.95 - 08.98	37	JJA/JJE/JJM/JJC/JJJ/JJK
	1.3 i	08.95 - 08.98	44	J4R/J4C/J4L/J4J/J4Q/J4T
	1.4 i 16V	04.96 - 04.98	66	FHE/FHA



CL400					
FORD					
Fiesta Van (F3L, F5L)	1.3	09.91 - 02.96	44	J6B	
Fiesta Van (J5_, J3_)	1.3	02.96 - 08.98	44	J4C	
	1.4i	04.96 - 10.99	66	FHA	
Ka (RB_)	1.3i	06.98 - 11.08	36	JJH/JJD/JJF/JJG/JJL	
	1.3i	09.96 - 08.98	44	J4S/BAA/J4K/-M/-4P/-N/J4D	
Mondeo I (GBP)	1.6i 16V	07.94 - 08.96	65	L1J	
	1.6i 16V	02.93 - 08.96	66	L1F	
	1.8i 16V	07.94 - 08.96	82	RKB	
	1.8i 16V	02.93 - 08.96	85	RKA	
	1.8i 16V 4x4	02.93 - 08.96	85	RKA	
	2.0i 16V	12.94 - 08.96	97	NGA	
	2.0i 16V 4x4	12.94 - 08.96	97	NGA	
	2.0i 16V	02.93 - 08.96	100	NGA	
Mondeo I Sedan (GBP)	1.6i 16V	07.94 - 08.96	65	L1J	
	1.6i 16V	02.93 - 08.96	66	L1F	
	1.8i 16V	01.94 - 08.96	82	RKB	
	1.8i 16V	02.93 - 08.96	85	RKA	
	2.0i 16V 4x4	12.94 - 08.96	97	NGA	
	2.0i 16V	02.93 - 08.96	100	NGA	
Mondeo I Combi (BNP)	1.6i 16V	07.94 - 08.96	65	L1J	
	1.6i 16V	04.93 - 08.96	66	L1F	
	1.8i 16V	07.94 - 08.96	82	RKB	
	1.8i 16V	04.93 - 08.96	85	RKA	
	1.8i 16V 4x4	04.93 - 08.96	85	RKA	
	2.0i 16V	01.93 - 08.96	97	NGA	
	2.0i 16V 4x4	12.94 - 08.96	97	NGA	
	2.0i 16V	04.93 - 08.96	100	NGA	
Mondeo II (BAP)	1.6i	09.96 - 08.98	66	L1J	
	1.8i	09.96 - 08.98	85	RKK/RKJ/RKB/RKF/RKH	
	2.0i	09.96 - 08.98	96	NGA/NGB/NGD/NGC	
	Mondeo II Sedan (BFP)	1.6i	09.96 - 08.98	66	L1J
		1.8i	09.96 - 08.98	85	RKK/RKJ/RKB/RKF/RKH
Mondeo II Combi (BNP)	2.0i	09.96 - 08.98	96	NGA/NGB/NGD/NGC	
	1.6i	09.96 - 08.98	66	L1J	
	1.8i	09.96 - 08.98	85	RKK/RKJ/RKB/RKF/RKH	
Orion II (AFF)	2.0i	09.96 - 08.98	96	NGA/NGB/NGD/NGC	
	1.6	12.85 - 07.90	66	LUC	
	1.6i	08.89 - 07.90	75	LJB	
Orion III (GAL)	1.4	07.90 - 12.93	54	FUH	
	1.6	07.90 - 12.92	66	LUJ/LUK	
	1.6i	07.90 - 09.92	77	LJF	
	1.8i 16V	02.92 - 12.93	77	RDA	
Puma (EC_)	1.4 16V	11.97 - 04.98	66	FHD/FHF	
	1.7 16V	03.97 - 04.98	92	MHB/MHA	
	1.7 ST 160	06.99 - 04.00	118		
Sierra (GBG, GB4)	1.6i	10.89 - 02.93	59	L6B	
	1.8	05.88 - 02.93	64	R2C/R6A	
Sierra CC (GBC, GBG)	1.8	05.88 - 02.93	64	R2C/R6A	
MAZDA					
626 V (GF)	1.8	05.97 - 12.99	66	FPY3	
	1.8	12.99 - 10.02	74	FP9A	
	2.0	05.97 - 10.02	85	FS	
	2.0	04.98 - 10.02	100	FS2C	
626 V Hatchback (GF)	1.8	05.97 - 12.99	66		
	1.8	12.99 - 10.02	74	FP	
	2.0	05.97 - 10.02	85	FS	
	2.0 H.P.	02.98 - 10.02	100	FS2C	
626 V Station Wagon	1.8	02.98 - 01.00	66		
	1.8	01.00 - 10.02	74	FP9A	

CL400				
MAZDA				
626 V Station Wagon	2.0	02.98 - 10.02	85	FS
	2.0 H.P.	02.98 - 10.02	100	FS2C
MPV II (LW)	2.0	08.00 - 07.02	88	FS

CL401		
PIN	OEM-No.	
	FORD 1067601	
	1075786	
	1130402	
	1317972	
	988F 12024 AB	
	988F 12029 AC	
	988F 12029 AD	
	988F12029AB	
	988F1209AB	
	988F1209AC	
	988F12024AB	
	oval socket (CL 401 „old design“ = CL409/new design)	

FORD				
Cougar (EC_)	2.0 16V	08.98 - 12.01	96	EDBB/EDBC/EDBD/EDBA
Escort VII	1.3	09.98 - 10.98	44	J6A/J4B
Escort VII Sedan	1.3	09.98 - 02.99	44	J6A/J4B
Escort VII Combi	1.3	09.98 - 10.98	44	J6A/J4B
Fiesta IV (JA_, JB_)	1.25 i 16V	05.98 - 01.02	55	DHG/-B/-C/-E/-F/-A/DHD
	1.3i	09.98 - 01.02	37	JJA/JJE/JJM/JJC/JJJ/JJK
	1.3i	09.98 - 01.02	44	J4R/J4C/J4L/J4J/J4Q/J4T
	1.4i 16V	05.98 - 01.02	66	FHE/FHA
	1.6 16V Sport	02.00 - 01.02	76	L1V/L1T
Fiesta V (JH_, JD_)	1.3	11.01 -	44	BAJA
	1.3	11.01 -	51	A9JA/A9JB
	1.4 16V	11.01 - 01.05	59	FXJB/FXJA
Fiesta Van (J5_, J3_)	1.6 16V	11.01 - 01.05	74	FYJA/FYJB
	1.3	09.98 -	44	J4C
Fiesta Van	1.3	10.03 -	51	A9JA/A9JB
Focus (DAW, DBW)	1.4 16V	10.98 - 11.04	55	FXDA/FXDD/FXDC/FXDB
	1.6 16V	10.98 - 11.04	74	FYDH/-DA/-DB/-DD/FYDC
	1.8 16V	10.98 - 11.04	85	EYDD/-DC/-DE/-DL/-DF/-DG
	2.0 16V	10.98 - 11.04	96	EDDC/EDDB/EDDD/EDDF
	2.0 ST 170	03.02 - 11.04	127	ALDA
	2.0 RS	10.02 - 11.04	158	HMDA
Focus Sedan (DFW)	1.4 16V	02.99 - 11.04	55	FXDA/FXDD/FXDC/FXDB
	1.6 16V	02.99 - 11.04	74	FYDH/-DA/-DB/-DD/FYDC
	1.8 16V	02.99 - 11.04	85	EYDD/-DC/-DE/-DL/-DF/-DG
	2.0 16V	02.99 - 11.04	96	EDDC/EDDB/EDDD/EDDF
Focus Combi (DNW)	1.4 16V	02.99 - 11.04	55	FXDA/FXDD/FXDC/FXDB
	1.6 16V	02.99 - 11.04	74	FYDH/-DA/-DB/-DD/FYDC
	1.8 16V	02.99 - 11.04	85	EYDD/-DC/-DE/-DL/-DF/-DG
	2.0 16V	02.99 - 11.04	96	EDDC/EDDB/EDDD/EDDF
	2.0 ST 170	08.02 - 11.04	127	ALDA
Fusion (JU_)	1.4	08.02 - 01.05	59	FXJB/FXJA
	1.6	08.02 - 01.05	74	FYJA/FYJB
Galaxy (WGR)	2.3 16V	09.01 - 05.06	103	E5SB
Ka (RB_)	1.0i	07.97 - 09.99	38	ZH10JRB
	1.0i	09.99 - 11.08	48	
	1.3i	09.96 - 10.02	37	JJB
	1.3i	09.98 - 11.08	44	J4S/BAA/J4K/-M/-P/-N/-D
	1.3i	08.02 - 11.08	51	A9B/A9A
	1.6i	07.03 - 11.08	70	CDC/CDB
Maverick	2.0 16V	02.01 -	91	YF

CL401				
FORD				
Mondeo II (BAP)	1.6 i	09.98 - 11.00	66	L1J
	1.6 i 16V	05.98 - 11.00	70	L1N/L1L/L1Q
	1.8 i	09.98 - 11.00	85	RKK/RKJ/RKB/RKF/RKH
	2.0 i	09.98 - 11.00	96	NGA/NGB/NGD/NGC
Mondeo II Sedan (BFP)	1.6 i	09.98 - 11.00	66	L1J
	1.6 i 16V	05.98 - 11.00	70	L1N/L1L/L1Q
	1.8 i	09.98 - 11.00	85	RKK/RKJ/RKB/RKF/RKH
	2.0 i	09.98 - 11.00	96	NGA/NGB/NGD/NGC
Mondeo II Combi (BNP)	1.6 i	09.98 - 11.00	66	L1J
	1.6 i 16V	05.98 - 11.00	70	L1N/L1L/L1Q
	1.8 i	09.98 - 11.00	85	RKK/RKJ/RKB/RKF/RKH
	2.0 i	09.98 - 11.00	96	NGA/NGB/NGD/NGC
Puma (EC_)	1.4 16V	05.98 - 10.00	66	FHD/FHF
	1.6 16V	08.00 -	76	L1W
	1.7 16V	05.98 -	92	MHB/MHA
	1.7 ST 160	05.00 -	118	
Street Ka	1.6	05.03 - 07.05	70	CDRA/CDRB

MAZDA				
121 III (JASM, JBSM)	1.25	03.96 -	55	DHG/DHF
	1.3	03.96 -	37	JJM/JJK
2 (DY)	1.25	04.03 - 02.05	55	FUJA
	1.4	04.03 - 02.05	59	FXJA
	1.6	04.03 - 02.05	74	FYJA
Tribute (EP)	2.0	03.00 -	91	YF
	2.0 4WD	03.00 -	91	YF

CL402				
FORD		OEM-No.		



2 coils per vehicle

FORD				
Galaxy (WGR)	2.0 i	11.95 - 05.06	85	NSE/ZVSA
Scorpio II (GFR, GGR)	2.0 i	10.94 - 08.98	85	NSD
Scorpio II Combi	2.0 i	10.94 - 08.98	85	NSD
Transit Tourneo	2.0	11.94 - 12.00	84	NSH
Transit Bus (E_ _)	2.0	09.95 - 03.00	84	NSF/NSG
	2.0 CNG	06.94 - 03.00	84	NSH
Transit Flatbed (E_ _)	2.0	08.94 - 03.00	84	NSF/NSG
Transit Van (E_ _)	2.0	06.94 - 03.00	84	NSF/NSG

CL403				
PIN		OEM-No.		



rectangular socket

FORD				
C-Max	1.6	02.07 -	74	SHDA/-B/-C/HWDB/HWDA
	1.6	12.10 -	77	IQDB/IQDA
	1.6	12.10 -	92	PNDA

Fiesta V (JH_ , JD_)	1.25 16V	03.05 -	51	M7JA/M7JB
	1.25 16V	03.05 -	55	FUJA/FUJB
	1.4 16V	02.05 -	59	FXJB/FXJA
	1.6 16V	02.05 -	74	FYJA/FYJB
Fiesta VI	1.25	10.08 -	44	STJA/STJB
	1.25	10.08 -	60	SNJA/SNJB
	1.4	10.08 -	71	SPJA/SPJC
	1.4 LPG	01.09 -	71	RTJA/RTJB

Fiesta Van	1.25	01.09 -	60	SNJA/SNJB
	1.6	03.05 - 03.07	74	HWDB/HWDA
Focus C-Max	1.6 Ti	03.05 - 03.07	85	SIDA/HXDA
	1.6	03.05 -	59	ASDB/ASDA

Focus II (DA_)	1.6	03.05 -	74	SHDA/HWDB/HWDA
	1.6 Ti	03.05 -	85	HXDB/HXDA
	1.6 LPG	10.09 -	85	

Focus II Sedan (DA_)	1.4	04.05 -	59	ASDB/ASDA
	1.6	04.05 -	74	SHDA/HWDB/HWDA
	1.6 Ti	04.05 -	85	HXDB/HXDA

Focus II Combi (DAW_)	1.4	03.05 -	59	ASDB/ASDA
	1.6	03.05 -	74	SHDA/HWDB/HWDA
	1.6 Ti	03.05 -	85	HXDB/HXDA

Focus II Cabriolet	1.6	10.06 -	74	HWDB/HWDA	
	Fusion (JU_)	1.25	08.04 -	55	FUJA/FUJB
		1.4	02.05 -	59	FXJB/FXJA

Grand C-Max	1.6	02.05 -	74	FYJA/FYJB
	1.6	12.10 -	77	
	1.6	12.10 -	92	

Mondeo IV	1.6 Ti	03.07 -	81	RHBA
	1.6 Ti	07.10 -	88	
	1.6 Ti	03.07 -	92	PNBA

Mondeo IV Turnier	1.6 Ti	03.07 -	81	RHBA
	1.6 Ti	07.10 -	88	
	1.6 Ti	03.07 -	92	PNBA

MAZDA				
2 (DY)	1.25	02.05 -	55	FUJA
	1.4	02.05 -	59	FXJA
	1.6	02.05 -	74	FYJA

VOLVO				
C30	1.6	10.06 -	74	B 4164 S3
S40 II (MS)	1.6	01.05 -	74	B 4164 S3
V50 (MW)	1.6	01.05 -	74	B 4164 S3

CL404

FORD	OEM-No.
	FORD 6485687
	6485688
	91XF 12029 AA
	91XF 12029 BA



2 coils and ignition lead set T471G

FORD

Escort V (GAL)	2.0 RS	05.91 - 12.92	110	N7A
	2.0 RS	09.92 - 01.95	110	N7A
	2.0 RS 4x4	08.93 - 01.95	110	N7A
Escort VII	2.0 RS	02.95 - 02.98	110	N7A
	2.0 RS 4x4	02.95 - 10.98	110	N7A
Galaxy (WGR)	2.3 16V	01.97 - 05.06	107	Y5B/E5SA
Scorpio II (GFR, GGR)	2.0 i 16V	10.94 - 08.98	100	N3A
	2.3 i 16V	06.96 - 08.98	108	Y5A
Scorpio II Combi	2.0 i 16V	10.94 - 08.98	100	N3A
	2.3 i 16V	06.96 - 08.98	108	Y5A
Transit Bus (F__)	2.3 16V	08.00 - 05.06	107	E5FC/E5FA
Transit Flatbed (F__)	2.3 16V	04.01 - 05.06	107	E5FC/E5FA
Transit Van (FA__)	2.3 16V	04.01 - 05.06	107	E5FC/E5FA

CL405

FORD	OEM-No.
	FORD 1224925
	1314271
	1322402
	1578771
	4MSG 12A366 BA
	4MSG 12A366 BB
	4MSG 12A366 BC
	4MSG 12A366 BD



1 coil per cylinder

FORD

C-Max	1.8	02.07 -	92	QQDA/QQDB
	1.8 Flexifuel	02.07 -	92	Q7DA
	2.0	02.07 -	107	AODA/AODB/SYDA/AODE
	2.0 LPG	06.08 -	107	SYDA
	2.0 CNG	04.09 -	107	SYDA
Focus C-Max	1.8	10.03 - 03.07	88	CSDB/CSDA
	1.8	04.04 - 03.07	92	QQDA/QQDB/Q7DA
	1.8 Flexifuel	01.06 - 03.07	92	Q7DA
	2.0	03.04 - 03.07	107	AODA/AODB/SYDA
Focus II (DA_)	1.8	03.06 -	92	QQDB
	1.8 Flexifuel	01.06 -	92	Q7DA
	2.0	11.04 -	107	AODA/AODB
	2.0 LPG	06.08 -	107	SYDA
	2.0 CNG	04.09 -	107	SYDA
Focus II Sedan (DA_)	1.8	03.06 -	92	QQDB
	1.8 Flexifuel	06.06 -	92	Q7DA

CL405

FORD	Year	Power	Code	Part No.
Focus II Sedan (DA_)	2.0	04.05 -	107	AODA/AODB
Focus II Combi (DAW_)	1.6 LPG	10.09 -	85	SIDA
	1.8	03.06 -	92	QQDB/Q7DA
	1.8 Flexifuel	01.06 -	92	Q7DA
	2.0	11.04 -	107	AODA/AODB
	2.0 LPG	06.08 -	107	SYDA
Focus II Cabriolet	2.0	10.06 -	107	AODA/AODB
Galaxy	2.0	05.06 -	107	AOWB/AOWA
	2.0 SCTi	03.10 -	149	TNWA
Mondeo IV	2.0	03.07 -	107	AOBC/AOBA
	2.0 Flexifuel	03.07 -	107	TBBB/TBBA
	2.0 LPG	07.09 -	107	TBBA
	2.0 SCTi	03.10 -	149	TNBA
Mondeo IV Sedan	2.0	03.07 -	107	AOBC/AOBA
	2.0 Flexifuel	03.07 -	107	TBBB/TBBA
	2.0 LPG	07.09 -	107	TBBA
Mondeo IV Turnier	2.0	03.07 -	107	AOBC/AOBA
	2.0 Flexifuel	03.07 -	107	TBBB/TBBA
	2.0 LPG	07.09 -	107	TBBA
	2.0 SCTi	03.10 -	149	TNBA
S-Max	2.0	05.06 -	107	AOWB/AOWA
	2.0 Flexifuel	05.06 -	107	TBWA/TBWB
	2.0 SCTi	03.10 -	149	TNWA
Transit Van	2.3 16V	04.06 -	107	GZFA/GZFC
Transit Flatbed	2.3 16V	04.06 -	107	GZFA/GZFC

MAZDA

3 Sedan (BK)	2.0	02.04 -	110	LF17
Tribute (EP)	2.3 AWD	04.04 -	110	L3-VE

VOLVO

C30	1.8	10.06 -	92	B 4184 S11
	1.8 Flexifuel	01.07 -	92	B 4184 S8
	2.0	10.06 -	107	B 4204 S3
	2.0 Flexifuel	01.10 -	107	B 4204 S4
S40 II (MS)	1.8	04.04 -	92	B 4184 S11
	1.8 Flexifuel	01.06 -	92	B 4184 S8
V50 (MW)	2.0	10.06 -	107	B 4204 S3
	1.8	04.04 -	92	B 4184 S11
	1.8 Flexifuel	01.05 -	92	B 4184 S8
	2.0	10.06 -	107	B 4204 S3
V70 III Combi	2.0	10.07 -	107	B 4204 S3
	2.0 Flexifuel	01.08 -	107	B 4204 S4
S80 II	2.0	01.08 -	107	B 4204 S3
	2.0 Flexifuel	01.08 -	107	B 4204 S4

CL406

PIN	OEM-No.
	FORD 1350567
	1458400
	457G 12029 AA
	457G 12029 AB




FORD

Fiesta V (JH_, JD_)	2.0 ST 150	03.05 -	110	N4JB
Mondeo III (B5Y)	1.8 16V	03.05 - 08.07	81	CGBB/CGBA
	1.8 16V	03.05 - 08.07	92	CHBA/CHBB
	2.0 16V	03.05 - 08.07	107	CJBA/CJBB
Mondeo III Sedan (B4Y)	1.8 16V	03.05 - 08.07	81	CGBB/CGBA
	1.8 16V	03.05 - 08.07	92	CHBA/CHBB
	2.0 16V	03.05 - 08.07	107	CJBA/CJBB
Mondeo III Combi (BWY)	1.8 16V	03.05 - 08.07	81	CGBB/CGBA
	1.8 16V	03.05 - 08.07	92	CHBA/CHBB
	2.0 16V	03.05 - 08.07	107	CJBA/CJBB

CL407

OEM-No.
FORD 1223293
1360553
257G 12029 AB
257G 12029 AC
257G 12029 AD



1 coil per cylinder

FORD

Mondeo III (B5Y)	1.8 SCi	06.03 - 08.07	96	CFBA
Mondeo III Sedan (B4Y)	1.8 SCi	06.03 - 08.07	96	CFBA
Mondeo III Combi (BWY)	1.8 SCi	06.03 - 08.07	96	CFBA

CL408

OEM-No.
FORD 6489415
6630365
6958305
919F 12029 AA
E9SF 12029 AA
E9SZ 12029 A
F1SU 12029 AA
F5SU 12029 AA
F5SZ12029A



CL408

FORD

Cougar (EC_)	2.5 V6 24V	06.00 - 12.01	125	LCBC/LCBB/LCBE
	2.5 V6 24V	08.98 - 12.01	125	LCBA
	2.5 ST 200	01.00 - 12.01	151	SGA
Mondeo I (GBP)	2.5 i 24V	07.94 - 08.96	125	SEA
Mondeo I Sedan (GBP)	2.5 i 24V	07.94 - 08.96	125	SEA
Mondeo I Combi (BNP)	2.5 i 24V	07.94 - 08.96	125	SEA
Mondeo II (BAP)	2.5 24V	09.96 - 11.00	125	SEA
	2.5 ST 200	05.99 - 11.00	151	SGA
Mondeo II Sedan (BFP)	2.5 24V	09.96 - 11.00	125	SEA
	2.5 24V	06.00 - 11.00	125	SEB/SEC
Mondeo II Combi (BNP)	2.5 24V	09.96 - 11.00	125	SEA
	2.5 24V	10.99 - 11.00	125	SEB/SEC
	2.5 ST 200	05.99 - 11.00	151	SGA
Scorpio I (GAE, GGE)	2.9 i 24V	04.91 - 09.94	143	BOA
Scorpio I Sedan (GGE)	2.9 i 24V	04.91 - 09.94	143	BOA
Scorpio I Combi (GGE)	2.9 24V	08.93 - 09.94	143	BOA
Scorpio II (GFR, GGR)	2.9 i 24V	10.94 - 08.98	152	BOB
Scorpio II Combi	2.9 i 24V	10.94 - 08.98	152	BOB
Windstar (A3)	3.0 V6	03.95 - 02.99	109	

CL409

PIN	OEM-No.
	FORD 1119835
	1319788
	157G 12029 AB
	157G 12029 AC




oval socket (CL409 new design – CL401 „old design“)

FORD

Cougar (EC_)	2.0 16V	08.98 - 12.01	96	EDBB/EDBC/EDBD/EDBA
Escort VII	1.3	09.98 - 10.98	44	J6A/J4B
Escort VII Sedan	1.3	09.98 - 02.99	44	J6A/J4B
Escort VII Combi	1.3	09.98 - 10.98	44	J6A/J4B
Fiesta IV (JA_, JB_)	1.25 i 16V	05.98 - 01.02	55	DHG/-B/-C/-E/-F/-A/DHD
	1.3 i	09.98 - 01.02	37	JJA/JJE/JJM/JJC/JJJ/JJK
	1.3 i	09.98 - 01.02	44	J4R/J4C/J4L/J4J/J4Q/J4T
	1.4 i 16V	05.98 - 01.02	66	FHE/FHA
	1.6 16V Sport	02.00 - 01.02	76	L1V/L1T
Fiesta V (JH_, JD_)	1.25 16V	03.03 - 02.05	51	M7JA/M7JB
	1.25 16V	05.02 - 02.05	55	FUJA/FUJB
	1.3	11.01 -	44	BAJA
	1.3	11.01 -	51	A9JA/A9JB
	1.4 16V	11.01 - 01.05	59	FXJB/FXJA
	1.6 16V	11.01 - 01.05	74	FYJA/FYJB
Fiesta Van	1.3	10.03 -	51	A9JA/A9JB
Focus (DAW, DBW)	1.6 16V	10.98 - 11.04	74	FYDH/-DA/-DB/-DD/FYDC
	1.8 16V	10.98 - 11.04	85	EYDD/-DC/-DE/-DL/-DF/-DG
	2.0 16V	10.98 - 11.04	96	EDDC/EDDB/EDDD/EDDF
	2.0 ST 170	03.02 - 11.04	127	ALDA
	2.0 RS	10.02 - 11.04	158	HMDA
Focus Sedan (DFW)	2.0 16V	02.99 - 11.04	96	EDDC/EDDB/EDDD/EDDF
Focus Combi (DNW)	2.0 16V	02.99 - 11.04	96	EDDC/EDDB/EDDD/EDDF
Focus II (DA_)	1.4	11.04 - 02.05	59	ASDB/ASDA



CL409				
FORD				
Focus II (DA_)	1.6	11.04 - 02.05	74	SHDA/HWDB/HWDA
	1.6Ti	11.04 - 02.05	85	HXDB/HXDA
Focus II Combi (DAW_)	1.4	11.04 - 02.05	59	ASDB/ASDA
	1.6	11.04 - 02.05	74	SHDA/HWDB/HWDA
	1.6Ti	11.04 - 02.05	85	HXDB/HXDA
	1.6	10.03 - 02.05	74	HWDB/HWDA
Focus C-Max	1.6Ti	08.04 - 02.05	85	SIDA/HXDA
	1.4	08.02 - 01.05	59	FXJB/FXJA
Fusion (JU_)	1.6	08.02 - 01.05	74	FYJA/FYJB
	1.3 i	09.96 - 10.02	37	JJB
Ka (RB_)	1.3 i	06.98 - 11.08	36	JJH/JJD/JJF/JJG/JJL
	1.3 i	09.98 - 11.08	44	J4S/BAA/J4K/-M/-P/-J4D
	1.3 i	08.02 - 11.08	51	A9B/A9A
	1.6 i	07.03 - 11.08	70	CDC/CDB
	2.0 16V	02.01 -	91	YF
Mondeo II (BAP)	1.6 i	09.98 - 11.00	66	L1J
	1.6 i 16V	05.98 - 11.00	70	L1N/L1L/L1Q
	1.8 i	09.98 - 11.00	85	RKK/RKJ/RKB/RKF/RKH
	2.0 i	09.98 - 11.00	96	NGA/NGB/NGD/NGC
Mondeo II Sedan (BFP)	1.6 i	09.98 - 11.00	66	L1J
	1.6 i 16V	05.98 - 11.00	70	L1N/L1L/L1Q
	1.8 i	09.98 - 11.00	85	RKK/RKJ/RKB/RKF/RKH
	2.0 i	09.98 - 11.00	96	NGA/NGB/NGD/NGC
Mondeo II Combi (BNP)	1.6 i	09.98 - 11.00	66	L1J
	1.6 i 16V	05.98 - 11.00	70	L1N/L1L/L1Q
	1.8 i	09.98 - 11.00	85	RKK/RKJ/RKB/RKF/RKH
	2.0 i	09.98 - 11.00	96	NGA/NGB/NGD/NGC
Mondeo III (B5Y)	1.8 16V	11.00 - 02.05	81	CGBB/CGBA
	1.8 16V	11.00 - 02.05	92	CHBA/CHBB
	2.0 16V	11.00 - 02.05	107	CJBA/CJBB
Mondeo III Sedan (B4Y)	1.8 16V	11.00 - 02.05	81	CGBB/CGBA
	1.8 16V	11.00 - 02.05	92	CHBA/CHBB
	2.0 16V	11.00 - 02.05	107	CJBA/CJBB
Mondeo III Combi (BWY)	1.8 16V	11.00 - 02.05	81	CGBB/CGBA
	1.8 16V	11.00 - 02.05	92	CHBA/CHBB
	2.0 16V	11.00 - 02.05	107	CJBA/CJBB
Puma (EC_)	1.4 16V	05.98 - 10.00	66	FHD/FHF
	1.6 16V	08.00 -	76	L1W
Street Ka	1.6	05.03 - 07.05	70	CDRA/CDRB
Tourneo Connect	1.8 16V	06.02 -	85	EYPC/EYPA/EYPD
Transit Connect (P_ _)	1.8 16V	06.02 -	85	EYPC/EYPA/EYPD

CL410				
	OEM-No.			
	FORD 1371601			
	6MSG12029AA			
	VOLVO 8677837 30713417			
1 coil per cylinder				
FORD				
Focus II (DA_)	2.5 ST	10.05 -	166	HYDA
	2.5 RS	01.09 -	224	JZDA

CL410				
FORD				
Focus II (DA_)	2.5 RS 500	05.10 -	257	
Kuga	2.5	03.09 -	147	HYDB
	2.5 4x4	03.09 -	147	HYDB
Mondeo IV	2.5	03.07 -	162	HUBA
Mondeo IV Sedan	2.5	03.07 -	162	HUBA
Mondeo IV Turnier	2.5	03.07 -	162	HUBA
S-Max	2.5 ST	05.06 -	162	HUWA
VOLVO				
C30	2.4 i	10.06 -	125	B 5244 S4
	2.5 T5	10.06 -	162	B 5254 T3
	2.5 T5	03.07 -	169	B 5254 T7
S40 II (MS)	2.4	01.04 -	103	B 5244 S5
	2.4	01.04 -	125	B 5244 S
	2.5 T5	01.04 -	162	B 5254 T3
	2.5 T5 AWD	04.04 -	162	B 5254 T3
	2.5 T5	03.07 -	169	B 5254 T7
	2.5 T5 AWD	03.07 -	169	B 5254 T7
V50 (MW)	2.4	04.04 -	103	B 5244 S5
	2.4	04.04 -	125	B 5244 S
	2.5 T5	04.04 -	162	B 5254 T3
	2.5 T5 AWD	04.04 -	162	B 5254 T3
	2.5 T5	03.07 -	169	B 5254 T7
	2.5 T5 AWD	03.07 -	169	B 5254 T7
S60	2.0 T	08.04 -	132	B 5204 T5
	2.4 T5	04.04 -	191	B 5244 T5
	2.4 T	11.00 -	147	B 5244 T3
	2.4 T AWD	11.01 -	147	B 5244 T3
	2.5 T AWD	03.03 -	221	B 5254 T4
	2.5 T AWD	03.03 -	221	B 5254 T4
C70 II Cabriolet	2.4	03.06 -	103	B 5244 S5
	2.4 i	03.06 -	125	B 5244 S4
	2.5 T5	03.06 -	162	B 5254 T3
V70 II Combi (P80_)	2.5 T5	03.07 -	169	B 5254 T7
	2.0 T	07.01 - 07.07	132	B 5204 T5
	2.4 T5	04.04 -	191	B 5244 T5
V70 III Combi	2.5 T AWD	03.03 -	221	B 5254 T4
	2.5 T	08.07 -	147	B 5254 T6
	2.5 T	01.10 -	170	B 5254 T10
	2.5 T Flexifuel	05.08 -	147	B 5254 T8
S80 (TS, XY)	2.5 T Flexifuel	10.09 -	170	B 5254 T11
	2.0 T	08.04 - 07.06	132	B 5204 T5
	2.5 T	03.06 -	147	B 5254 T6
S80 II	2.5 T Flexifuel	05.08 -	147	B 5254 T8
	2.5 T	01.10 -	170	B 5254 T10
	2.5 T Flexifuel	01.10 -	170	B 5254 T11
	2.5 T Flexifuel	01.10 -	170	B 5254 T11

CL411

PIN	OEM-No.
	FORD 4751265
	5008190
	5F2E12029AA
	5F2E12029AB



FORD

Mondeo III (B5Y)	2.5 V6 24V	11.00 - 08.07	125	LCBD
	3.0 V6 24V	09.04 - 08.07	150	REBA
	3.0 ST 220	04.02 - 08.07	166	MEBA
Mondeo III Sedan (B4Y)	2.5 V6 24V	11.00 - 08.07	125	LCBD
	3.0 V6 24V	09.04 - 08.07	150	REBA
	3.0 ST 220	04.02 - 08.07	166	MEBA
Mondeo III Combi (BWY)	2.5 V6 24V	11.00 - 08.07	125	LCBD
	3.0 V6 24V	09.04 - 08.07	150	REBA
	3.0 ST 220	04.02 - 08.07	166	MEBA

CL412

OEM-No.
FORD 1404981
1716750
6E5G12A366AD
6E5G12A366AE



1 coil per cylinder

FORD

Galaxy	2.3	07.07 -	118	SEWA
Mondeo IV	2.3	07.07 -	118	SEBA
Mondeo IV Sedan	2.3	07.07 -	118	SEBA
Mondeo IV Turnier	2.3	07.07 -	118	SEBA
S-Max	2.3	07.07 -	118	SEWA

CL500

DIN	OEM-No.
	HONDA 30500-PMS-A02
	30500-PMS-A03
	ROVER GCL 161



CL500

ACURA

Integra Sedan	1.6	01.85 - 12.90	74	D16A3
	1.6 i	01.85 - 12.90	88	
Integra CC	1.6	01.85 - 12.90	74	
	1.6 i	01.85 - 12.90	88	
Integra Coupe	1.6	01.85 - 12.90	74	
	1.6 i	01.85 - 12.90	88	

HONDA

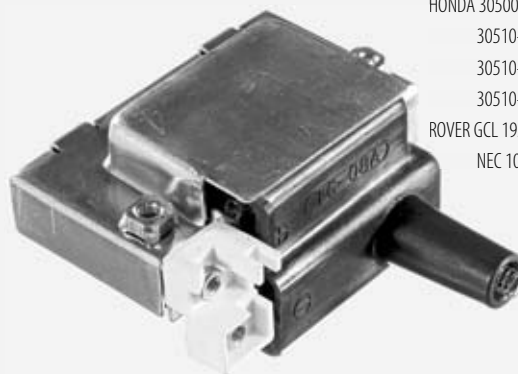
Civic II Shuttle (EE)	1.5 i 16V	01.88 - 11.91	69	D15B2
	1.6 i 16V 4WD	01.88 - 12.89	80	D16A6
	1.6 i 16V 4WD	01.88 - 02.95	81	D16A6
Civic III Hatchback	1.5 GL	10.83 - 10.87	63	EW2
Civic III Sedan	1.5 GL	10.83 - 10.87	63	EW2
	1.5 GTI	03.86 - 10.87	66	EW4
Civic IV Hatchback	1.6 i 16V	10.87 - 09.91	80	D16A6
	1.6 i 16V	10.87 - 09.91	81	D16Z2
	1.6 i 16V Vtec	10.89 - 09.91	110	B16A1
Civic IV Sedan (ED)	1.5 i 16V	10.87 - 09.91	66	D15B2
	1.5 i 16V	10.87 - 09.91	69	D15B2
	1.6 i 16V	11.87 - 09.91	80	D16A6
	1.6 i 16V 4x4	10.89 - 09.91	80	D16A6
	1.6 i 16V	10.87 - 09.91	81	D16Z2
Concerto (HW)	1.6 i 16V	09.87 - 09.91	96	D16A7
	1.5 i 16V	08.89 - 03.95	66	D15B2
	1.6 16V	08.89 - 03.95	78	D16Z2
	1.6 i 16V	08.89 - 03.95	82	D16Z2
Concerto Sedan (HWW)	1.6 i 16V	08.89 - 03.95	90	D16A8
	1.5 i 16V	08.89 - 05.95	66	D15B2
	1.6 16V	08.89 - 03.95	78	D16Z2
	1.6 i 16V	08.89 - 03.95	82	D16Z2
CRX II (ED, EE)	1.6 i 16V	10.87 - 02.92	91	D16Z5
	1.6 i 16V	10.87 - 12.89	96	D16A8/D16A9
	1.6 i 16V Vtec	10.89 - 02.92	110	B16A1

ROVER

216 GSi Hatchback (XW)	1.6	10.89 - 10.95	82	D 16 Z2
216 GTi Hatchback (XW)	1.6	09.90 - 10.95	90	D 16 A8
216 Coupe (XW)	1.6	10.92 - 06.99	90	D 16 A8
416 GSi (XW)	1.6	04.90 - 04.95	82	D 16 Z2
416 GTi (XW)	1.6	04.90 - 04.95	90	D 16 A8
216 Cabriolet (XW)	1.6 i	01.92 - 11.99	90	D 16 A8

CL501

OEM-No.
HONDA 30500PTZ005
30510-P73-A01
30510-P73-A02
30510-PT2-006
ROVER GCL 195
NEC 100530



HONDA

Accord IV (CB)	2.0 16V	01.90 - 03.93	81	F20A3/F20A2
	2.0 i 16V	01.90 - 03.93	98	F20A4/F20A8
	2.2 i 16V Aut.	01.90 - 03.93	108	F22A3

CL501

CL501				
HONDA				
Accord IV (CB)	2.2i 16V	01.90 - 03.93	110	F22A3
Accord IV Aerodeck (CB)	2.0i 16V	03.93 - 12.93	98	F20Z3
	2.2i 16V	01.91 - 12.93	108	F22A8
	2.2i 16V	01.91 - 12.93	110	F22A7
Accord IV Coupe (CC1)	2.0i 16V	01.92 - 09.93	98	F20A7
Accord V (CC7, CD)	2.0i	03.93 - 01.96	85	F20Z2
	2.0i S	03.93 - 01.96	96	F20Z1
	2.3i SR	03.93 - 01.96	116	H23A3
Accord V Aerodeck (CE)	2.0i LS 16V	09.93 - 02.98	100	F20B3
	2.2i ES	09.93 - 02.98	110	F22B5
Accord V Coupe	2.0	09.93 - 12.97	100	F20B3
	2.2i ES	09.93 - 02.98	110	F22B5
Accord VI (CE, CF)	2.0i LS	02.96 - 10.98	96	F20Z1
Accord VII (CG, CK)	2.2 Type-R	02.99 - 12.02	156	H22A7
Civic IV Hatchback (EG)	1.5i 16V	10.91 - 11.95	66	D15B2/D15Z2
	1.5i 16V	10.91 - 11.95	69	D15Z1 /D15B2
	1.6 16V Vtec	10.91 - 11.95	92	D16Z6
	1.6 VTi 16V	10.91 - 11.95	118	B16A2
Civic V Sedan (EG, EH)	1.5i 16V	10.91 - 11.95	69	D15Z1 /D15B2
	1.6 16V Vtec	10.91 - 11.95	92	D16Z6/D16Z7
Civic V Coupe (EJ)	1.5i Lsi	01.94 - 11.95	74	D15B7
	1.6i	01.94 - 11.95	77	D16Y7
	1.6i Vtec	01.94 - 03.96	92	D16Y6/D16Z9
	1.6i Vtec	01.94 - 11.95	118	B16A2
Civic VI Hatchback	1.4i	11.95 - 02.01	55	D14Z1/D14A3
	1.4i S	11.95 - 02.01	66	D14A4/D14Z2
	1.5i	11.95 - 02.01	84	D15Z6
	1.6 Vti	11.95 - 02.01	118	B16A2
	Civic VI Fastback (MA)	1.4 16V	01.97 - 02.01	55
1.4 16V		01.97 - 02.01	66	D14A8
1.5i Vtec-E		09.94 - 01.97	66	D15Z3
1.5 16V		01.97 - 02.01	84	D15Z8
1.6i		09.94 - 01.97	83	D16Y3
1.6 16V		01.97 - 02.01	85	D16B2
1.6i Vtec		09.94 - 01.97	93	D16Y2
1.6 VTi		01.97 - 02.01	118	B16A2
Civic VI Sedan (EJ, EK)	1.8 16V	01.97 - 02.01	124	B18C4
	1.4i	11.95 - 02.01	66	D14A4/D14Z2
	1.5i	11.95 - 02.01	84	D15Z6
	1.6i Vtec	11.95 - 02.01	92	D16Y6/D16Y8
Civic VI Coupe (EJ, EM1)	1.6i	03.96 - 03.00	77	D16Y7
	1.6i Vtec	03.96 - 03.00	92	D16Y8
	1.6i Vtec	04.99 - 12.00	118	B16A2
Civic VI Aerodeck	1.4 16V	04.98 - 02.01	55	D14A7
	1.4 16V	04.98 - 02.01	66	D14A8
	1.6 16V	04.98 - 02.01	85	D16B2
	1.8 16V	04.98 - 02.01	124	B18C4
CR-V I (RD)	2.0 16V	10.95 - 01.99	94	B20B
	2.0 16V	01.99 - 02.02	108	B20Z1
CRX III (EH, EG)	1.6 EsI	03.92 - 12.98	92	D16Y8/D16Z6
	1.6i Vti	03.92 - 12.98	118	B16A2
HR-V (GH)	1.6 16V	03.99 -	77	D16W1
	1.6 16V 4WD	03.99 -	77	D16W1
	1.6 16V 4WD	10.99 -	91	D16W5
Integra Coupe (DC2, DC4)	1.8 Type-R	11.97 - 10.01	140	B18C6
Logo (GA3)	1.3	03.99 - 03.02	48	D13B7
Prelude IV (BB)	2.0i 16V	02.92 - 09.96	98	F20A4
	2.2i 16V Vtec	02.93 - 09.96	136	H22A2
	2.3i 16V	02.92 - 09.96	118	H23A2

CL501				
HONDA				
Prelude V (BB)	2.0 16V	10.96 - 10.00	98	F20A4
	2.2 16V	10.96 - 10.00	136	H22A5
	2.2 16V	10.96 - 10.00	147	H22A5
Shuttle (RA)	2.2 16V	10.94 - 02.98	110	F22B8
ROVER				
620 i (RH)	2.0	08.93 - 06.96	85	F 20 Z2
620 Si (RH)	2.0	08.93 - 02.99	96	F 20 Z1
620 Ti Vitesse (RH)	2.0	07.94 - 02.99	147	20T4G
623 Si (RH)	2.3	08.93 - 02.99	116	H 23 A3

CL502	
DIN	OEM-No.
	HYUNDAI 27301 22040 27301 22050



HYUNDAI				
Accent I (X-3)	1.3	10.94 - 01.00	44	G4EH
	1.3	10.94 - 01.00	55	G4EH
	1.3i 12V	10.94 - 01.00	62	G4EH
Accent Sedan (X-3)	1.5i 12V	10.94 - 01.00	65	G4EK
	1.3	10.94 - 01.00	44	G4EH
	1.3	10.94 - 01.00	55	G4EH
Accent II (LC)	1.3i 12V	10.94 - 01.00	62	G4EH
	1.5i 12V	10.94 - 01.00	65	G4EK
	1.5	01.00 -	66	G4EB
Accent Sedan (LC)	1.5	09.00 -	75	G4EC-G
	1.5	01.00 - 11.05	66	G4EB
Getz (TB)	1.1	09.05 -	49	G4HD
Lantra II (J-2)	1.5 12V	12.96 - 09.00	65	G4EK
Lantra II Wagon (J-2)	1.5 12V	04.97 -	65	G4EK
MITSUBISHI				
Lancer VI (CK/P_A)	1.3 12V	12.95 - 08.03	55	4 G 13 (12V)

CL503	
DIN	OEM-No.
	HYUNDAI 27301 23003



HYUNDAI				
Coupe (RD)	1.6i 16V	12.96 - 04.02	84	4G61

CL503

CL503				
HYUNDAI				
Coupe (RD)	1.6 16V	03.98 - 04.02	85	G4GR
	2.0 16V	03.01 - 04.02	99	G4DF
	2.0 16V	08.96 - 04.02	102	G4GF
Elantra (XD)	1.6	06.00 - 07.06	66	
Elantra Sedan (XD)	1.6	06.00 - 07.06	66	
Getz (TB)	1.4 i	08.05 -	71	G4EE
Lantra II (J-2)	1.6 i	11.95 - 09.00	66	G4GR
	1.6 16V	11.95 - 09.00	84	4G61
	1.8 16V	11.95 - 09.00	94	G4GM
	2.0 16V	08.96 - 09.00	102	G4GF
Lantra II Wagon (J-2)	1.6 i	02.96 -	66	G4GR
	1.6 16V	02.96 -	84	4G61
	1.8 16V	02.96 -	94	G4GM
	2.0 16V	12.96 -	102	G4GF

CL504				
DIN	OEM-No.			
	KIA OK201 18 10XB			
	OK201 18 10XC			



KIA				
Sephia (FA)	1.5 i	02.96 -	59	B5
	1.6 i	01.95 -	59	B6
Sephia Sedan (FA)	1.5 i	02.96 - 10.97	59	B5
	1.6 i	09.93 -	59	B6

CL505				
PIN	OEM-No.			
	KIA OK247 18 100A			



2 coils and ignition lead set T508B

KIA				
Carens I (FC)	1.8 i	11.00 - 07.02	81	T8
Carens II (FJ)	1.6	07.02 -	77	
	1.8	07.02 -	93	
Clarus (K9A)	1.8 i 16V	07.96 -	85	T8
Clarus Combi (GC)	1.8 i 16V	05.98 -	85	T8
Sephia (FA)	1.6 i	01.95 -	59	B6
	1.8 i 16V	01.95 -	82	OK24N/OK26Y
Sephia Sedan (FA)	1.8 i 16V	01.95 -	82	OK24N/OK26Y

CL505				
KIA				
Shuma (FB)	1.8 i 16V	10.97 - 03.01	81	T8

CL506	
DIN	OEM-No.
	MAZDA B6S71810XA
	B6S81810XA



1 socket with 2 connectors

MAZDA				
323 C IV (BG)	1.3 16V	04.91 - 07.94	54	B3 (16V)
	1.8 16V 4WD	11.91 - 12.93	76	BP
	1.8 16V GT	09.89 - 03.93	94	BP (DOHC)
	1.8 16V	09.89 - 03.93	103	BP22/BP31
	1.8 16V Tur. 4WD	09.90 - 12.92	120	BP Turbo
	1.8 16V Tur. 4WD	01.93 - 07.94	136	BP Turbo
323 F IV (BG)	1.6	09.89 - 06.91	62	B6E
	1.6 16V	03.91 - 10.94	65	B6
	1.8 16V	08.89 - 07.94	76	BP
	1.8 4WD	01.91 - 04.94	76	BPC
	1.8 16V GT	08.89 - 07.94	94	BP (DOHC)
	1.8 16V	09.89 - 03.93	103	BP31
323 S IV (BG)	1.3 16V	04.91 - 07.94	54	B3 (16V)
	1.6	09.89 - 06.91	62	B6E
	1.6 16V	08.89 - 10.94	65	B6
	1.8 16V	08.89 - 07.94	76	BP52
	1.8 16V GT	06.89 - 07.94	94	BP (DOHC)
	1.8 16V Tur. 4WD	01.91 - 07.94	120	BP Turbo
MX-3 (EC)	1.6 i	07.91 -	65	B69
	1.6 i	01.94 -	79	B6D

CL507	
DIN	OEM-No.
	MAZDA B121 18 10X
	B541 18 10XA
	B542 18 10XA



2 sockets with 2 connectors

MAZDA				
121 I (DA)	1.1	10.87 - 10.90	42	B1/B116
	1.3	04.89 - 10.90	40	B3
	1.3	10.87 - 11.90	44	B3
121 II (DB)	1.3 16V	11.90 - 03.96	39	B3 (16V)
	1.3 i 16V	11.90 - 03.96	53	B3 (16V)
323 III (BF)	1.4	04.87 - 07.89	44	B3

CL507

MAZDA

323 III Hatchback (BF)	1.4	09.87 - 10.89	44	B3
323 III Station Wagon	1.6	09.86 - 10.95	63	B65M /B6/B6E
	1.6 4x4	05.90 - 03.93	63	B65M /B6E
323 C IV (BG)	1.3	09.89 - 07.94	49	B3E
	1.3 16V	09.89 - 07.94	54	B3 (16V)
	1.6	09.89 - 06.91	62	B6E
	1.6 16V	03.91 - 10.94	65	B6
323 F IV (BG)	1.6	09.89 - 06.91	62	B6E
	1.6 16V	03.91 - 10.94	65	B6
323 S IV (BG)	1.3	09.89 - 06.91	49	B3E/B383
	1.3 16V	04.91 - 07.94	54	B3 (16V)
	1.6	09.89 - 06.91	62	B6E
	1.6 16V	08.89 - 10.94	65	B6
323 CV (BA)	1.3 16V	08.94 - 09.98	54	B3 (16V)
323 SV (BA)	1.3 16V	08.94 - 09.98	54	B3 (16V)

CL508

DIN



OEM-No.

HYUNDAI 27301 24510
27301 24520
MITSUBISHI 27301 24520
MD 114994

HYUNDAI

Lantra I (J-1)	1.5 i.e.	10.90 - 11.95	63	G15B/G4DJ
Pony (X-2)	1.3	10.89 - 01.95	43	G4DG
	1.5	10.89 - 01.95	53	G15B/G4DJ
	1.5 i	10.89 - 01.95	61	G15B/G4DJ
	1.5 i	10.89 - 01.95	62	G15B/G4DJ
Pony/Excel Sedan (X-2)	1.5	01.90 - 01.95	53	G15B/G4DJ
	1.5 i	01.90 - 01.95	61	G15B/G4DJ
	1.5 i	01.90 - 01.95	62	G15B/G4DJ
S Coupe (SLC)	1.5 i	02.90 - 05.96	62	G15B/G4DJ
	1.5 i	04.92 - 05.96	65	G4EK

MITSUBISHI

Colt III (C5_A)	1.5 GLXi	04.88 - 05.92	62	4 G 15
	1.5 cat	07.90 - 05.92	66	4 G 15
Galant III (E1_A)	2.0 Turbo Eci	06.84 - 05.85	110	4 G 63 T (SOHC 8V)
Galant IV (E3_A)	2.0	04.89 - 10.92	80	4G63 (SOHC 8V)
	2.0 4x4	04.89 - 10.92	80	4G63 (SOHC 8V)
Galant IV Sedan (E3_A)	2.0	11.87 - 10.92	80	4G63 (SOHC 8V)
	2.0 4x4	12.88 - 10.92	80	4G63 (SOHC 8V)
	2.0 GTi 16V	11.87 - 10.92	106	4 G 63 (DOHC 16V)
	2.0 GTi 16V 4x4	06.88 - 10.92	106	4 G 63 (DOHC 16V)
	2.0 GTi 16V 4x4	09.91 - 10.92	110	4 G 63 (DOHC 16V) cat
Lancer III Station Wagon	1.5	09.85 - 12.87	55	4 G 15
	1.5	09.88 - 12.90	61	4 G 15
	1.5 12V	09.90 - 12.91	66	4G15 (12V)
	1.8 4x4	08.90 - 06.92	69	4G37
Lancer IV (C6_A, C7_A)	1.5	06.88 - 05.92	62	4 G 15
	1.5 12V	05.89 - 05.92	66	4G15 (12V)
	1.8 4x4	09.89 - 06.92	71	4G37
Lancer IV Sedan (C6_A)	1.5	04.88 - 05.92	62	4 G 15
	1.5 12V	05.89 - 05.92	66	4G15 (12V)

CL508

MITSUBISHI

Pajero II	2.4	04.91 - 04.00	82	4G64 (12V)
Pajero II Canvas Top	2.4	04.91 - 04.00	82	4G64 (12V)

CL509

DIN



OEM-No.

NISSAN 22433-0B000
22433-51J10
22433-53J20
22433-55S10
22433-56E11
22433-56E12

NISSAN

100 NX (B13)	1.6	03.90 - 10.94	66	GA16DS
	1.6 SR	09.93 - 10.94	75	GA16DE
	2.0 GTi	03.91 - 10.94	105	SR20DE
200 SX (S14)	2.0 i 16V	10.93 - 12.99	118	SR20DE
	2.0 i 16V Turbo	10.93 - 12.99	147	SR20DET
Almera I (N15)	1.4 GX,LX	09.95 - 07.00	55	GA14DE
	1.4	09.95 - 07.00	64	GA14DE
	1.6 SLX	09.95 - 07.00	66	GA16DE
	1.6	09.95 - 07.00	73	GA16DE
Almera I Hatchback (N15)	1.4 S,GX,LX	09.95 - 03.00	55	GA14DE
	1.4	09.95 - 03.00	64	GA14DE
	1.6 SR,SLX	09.95 - 03.00	66	GA16DE
	1.6	09.95 - 03.00	73	GA16DE
	2.0 GTi	07.96 - 03.00	105	SR20DE
Maxima II (J30)	3.0 i	10.88 - 06.94	125	VG30E
Micra I (K10)	1.2	07.86 - 07.92	40	MA12S
Pick Up (D21)	2.4 i 12V	04.92 - 02.98	91	KA24E
	2.4 i 12V 4WD	04.92 - 02.98	93	KA24E
Prairie Pro (M11)	2.0 i	10.88 - 04.92	72	CA20E
	2.0 i 4x4	10.88 - 12.92	72	CA20E
	2.4 i	04.92 - 07.94	98	KA24E
	2.4 i 4x4	04.92 - 07.94	98	KA24E
Primera (P10)	1.6	06.90 - 01.96	66	GA16DS
	1.6	06.93 - 01.96	75	GA16DE
	2.0 16V	06.90 - 01.96	85	SR20DI
	2.0 16V 4x4	04.91 - 06.96	85	SR20DI
	2.0 i	01.95 - 06.96	92	SR20DE
Primera Hatchback (P10)	2.0 GT	06.90 - 01.96	110	SR20DE
	1.6	06.90 - 01.96	66	GA16DS
	2.0 16V	06.90 - 01.96	85	SR20DI
Primera Traveller (W10)	2.0 16V 4x4	04.91 - 06.96	85	SR20DI
	2.0 i	01.95 - 06.96	92	SR20DE
	1.6 i	07.90 - 03.98	66	GA16DS
Primera (P11)	1.6 i	03.94 - 03.98	75	GA16DE
	2.0 i	07.90 - 03.98	85	SR20DI
	1.6 16V	09.96 - 12.01	66	GA16DE
	1.6 16V	09.96 - 10.00	73	GA16DE
	2.0 16V	09.96 - 12.01	85	SR20De
Primera (P11)	2.0 16V	09.96 - 12.01	96	SR20DE
	2.0 16V	08.99 - 12.01	103	SR20DE
	2.0 16V	09.96 - 12.01	110	SR20DE

CL509

CL509				
NISSAN				
Primera Hatchback (P11)	1.6 16V	09.96 - 07.02	66	GA16DE
	1.6 16V	09.96 - 07.02	73	GA16DE
	2.0 16V	09.96 - 07.02	85	SR20De
	2.0 16V	09.96 - 07.02	96	SR20DE
	2.0 16V	08.99 - 07.02	103	SR20DE
	2.0 16V	09.96 - 07.02	110	SR20DE
Primera Traveller (WP11)	1.6 16V	04.98 - 12.01	66	GA16DE
	1.6 16V	04.98 - 12.01	73	GA16DE
	2.0 16V	04.98 - 12.01	85	SR20De
	2.0 16V	04.98 - 12.01	96	SR20DE
	2.0 16V	08.99 - 12.01	103	SR20DE
Serena (C23M)	1.6 16V	02.93 - 09.01	71	GA16DE
	2.0 16V	11.92 - 09.01	93	SR20DE
Sunny III (N14)	1.4 i	10.90 - 05.95	55	GA14DE /GA14DS
	1.6 i	10.90 - 05.95	66	GA16DE/-DEL/GA16DS
	1.6 i 16V 4WD	10.90 - 05.95	66	GA16DS
	1.6 i 16V	10.92 - 05.95	75	GA16DE
Sunny III Liftback (N14)	1.4 i	10.90 - 05.95	55	GA14DE /GA14DS
	1.6 i	10.90 - 05.95	66	GA16DE/-DEL/GA16DS
	2.0 i 16V	10.90 - 05.95	105	SR20DE
Sunny III Hatchback	1.4 i	10.90 - 05.95	55	GA14DE /GA14DS
	1.6 i	10.90 - 05.95	66	GA16DE/-DEL/GA16DS
	2.0 GTI 16V	10.90 - 05.95	105	SR20DE
	2.0 GTI-R 4x4	10.90 - 05.95	162	SR20DET
Sunny III Traveller (Y10)	1.6 i	06.91 - 03.00	66	GA16DE/GA16DS
	1.6 i 16V 4x4	10.92 - 03.00	75	GA16DE
Sunny Van (Y10)	1.6 i 16V	10.92 - 03.00	66	GA16DE
Terrano I (WD21)	3.0 i 4WD	01.90 - 12.95	109	VG30E
Terrano II (R20)	2.4 4WD	05.96 - 01.02	85	KA24E
	2.4 4WD	05.96 -	87	KA24E
	2.4 i 12V 4WD	02.93 - 06.96	91	KA24E

CL510



OEM-No.
NISSAN 22448-4M500
22448-4M50A

1 coil per cylinder

NISSAN				
Almera II (N16)	1.5	07.00 -	66	QG15DE
	1.5	10.02 -	72	QG15DE
	1.8	07.00 -	84	QG18DE
	1.8	10.02 -	85	QG18DE
Almera Tino (V10)	1.8	08.00 -	84	QG18DE
	1.8	12.02 -	85	QG18DE

CL511



OEM-No.
NISSAN 22448-6N000
22448-6N002
22448-6N010
22448-6N012
22448-6N015

1 coil per cylinder

NISSAN				
Almera II (N16)	1.5	10.02 -	72	QG15DE
	1.5	07.00 -	66	QG15DE
	1.8	07.00 -	84	QG18DE
	1.8	10.02 -	85	QG18DE
Almera II Hatchback	1.5	10.02 -	72	QG15DE
	1.5	03.00 -	66	QG15DE
	1.8	01.00 -	84	QG18DE
Almera Tino (V10)	1.8	10.02 -	85	QG18DE
	1.8	08.00 -	84	QG18DE
Almera Tino (V10)	1.8	12.02 -	85	QG18DE
	1.8	08.00 -	84	QG18DE
Primera (P11)	1.6 16V	06.96 - 12.01	78	QG16DE
	1.8 16V	08.99 - 12.01	84	QG18DE
Primera Hatchback (P11)	1.6 16V	09.00 - 07.02	78	QG16DE
	1.8 16V	08.99 - 07.02	84	QG18DE
Primera Traveller (WP11)	1.8 16V	08.99 - 12.01	84	QG18DE
Primera (P12)	1.6	03.02 -	78	QG16DE
	1.6	01.02 -	80	QG16DE
Primera Hatchback	1.6	07.02 -	78	QG16DE
	1.6	07.02 -	80	QG16DE
Primera Hatchback	1.8	07.02 -	85	QG18DE
	1.8	07.02 -	85	QG18DE
Primera Combi (WP12)	1.6 Visia	01.02 -	80	QG16DE

CL512



OEM-No.
SUZUKI 33410-77E11

1 coil per cylinder

SUZUKI				
Baleno (EG)	1.8 GTX	03.96 - 05.02	89	J18A
Baleno CC (EG)	1.8 GTX	03.96 - 05.02	89	J18A
Baleno Combi (EG)	1.8 i 16V	08.96 - 05.02	89	J18A
Grand Vitarra (JT)	2.0 Allrad	10.05 -	103	J20A
Vitara (ET, TA)	2.0V6 24V	12.94 - 03.98	100	H 20 A

CL513



OEM-No.

GM 94404545

TOYOTA 90919-02164

TOYOTA

Carina II (_T17_)	1.6	12.87 - 11.89	66	4A-F
Carina II Sedan (_T17_)	1.6	12.87 - 08.90	66	4A-F
	1.6	12.87 - 03.92	72	4A-FE
	1.6	12.87 - 03.92	75	4A-FE
Carina II Station Wagon	1.6	12.87 - 12.89	66	4A-F
Carina E (_T19_)	1.6 GLI	04.92 - 09.97	79	4A-FE
	1.6	12.93 - 09.97	85	4A-FE
Carina E Sedan (_T19_)	1.6	01.93 - 09.97	79	4A-FE
	1.6 16V	12.94 - 09.97	85	4A-FE
Carina E Sportswagon	1.6 GLI	01.93 - 09.97	79	4A-FE
Celica (ST16_)	1.6	04.86 - 02.90	63	4A-L
Celica Liftback (T16)	1.6	04.86 - 02.90	63	4A-L
Celica (_T20_)	1.8 i 16V	11.93 - 11.99	85	7A-FE
Corolla (_E8_)	1.3	10.84 - 08.87	55	2E-LC/2E-L
	1.6	08.85 - 08.87	53	4A-LC
	1.6	12.85 - 05.88	54	4A-LC
Corolla Liftback (_E8_)	1.6	06.83 - 08.87	62	4A-L
	1.3	01.85 - 08.87	55	2E-LC/2E-L
	1.6	08.85 - 08.87	54	4A-LC
	1.6	06.83 - 08.87	62	4A-L
	1.6	07.85 - 05.88	63	4A-L
Corolla FX Compact (E8B)	1.3	08.85 - 08.87	55	2E-L
Corolla (_E9_)	1.3 i	08.87 - 12.92	55	2E-E/2E
	1.6	08.87 - 12.89	66	4A-F
Corolla Liftback (_E9_)	1.3 i	08.87 - 04.92	55	2E-E/2E
	1.6	08.87 - 04.92	66	4A-F
Corolla Compact (_E9_)	1.3	08.87 - 12.89	55	2E
	1.3 i	06.89 - 04.92	55	2E-E
	1.6	08.87 - 04.92	66	4A-F
Corolla St.Wagon (_E9_)	1.3	12.87 - 12.89	55	2E
	1.3 i	06.89 - 06.92	55	2E-E
	1.6	02.88 - 05.92	66	4A-F
	1.6	12.87 - 04.92	70	4A-F
Corolla (_E10_)	1.3 12V	07.92 - 04.97	53	2E
	1.3 XLI	09.95 - 04.97	55	4E-FE
	1.3 XLI 16V	07.92 - 09.95	65	4E-FE
	1.6 Si	09.95 - 04.97	84	4A-FE
	1.8 GT	11.92 - 05.95	86	7A-FE
Corolla Compact (_E10_)	1.3 12V	07.92 - 05.95	53	2E
	1.3 XLI	09.95 - 04.97	55	4E-FE
	1.3 XLI 16V	07.92 - 09.95	65	4E-FE
	1.6 Si	07.92 - 04.97	84	4A-FE
	1.8 GTi 4x4	05.92 - 07.95	92	
Corolla Liftback (_E10_)	1.3 12V	07.92 - 05.95	53	2E
	1.3 XLI	07.92 - 04.97	65	4E-FE
	1.6 GLI	07.92 - 04.97	84	4A-FE

CL513

TOYOTA

Corolla Liftback (_E10_)	1.8 GT	11.92 - 05.95	86	7A-FE
	1.8 GTi 4x4	05.92 - 07.95	92	7A-FE
Corolla Wagon (_E10_)	1.3 12V	07.92 - 05.95	53	2E
	1.3 XLI	09.95 - 04.97	55	4E-FE
	1.3 XLI 16V	07.92 - 09.95	65	4E-FE
	1.6 Si	07.92 - 04.97	84	4A-FE
	1.8 16V 4WD	09.95 - 04.97	81	7A-FE
Corolla (_E11_)	1.4	04.97 - 02.00	63	4E-FE
	1.6 Aut.	04.97 - 02.00	79	4A-FE
Corolla Compact (_E11_)	1.4	04.97 - 02.00	63	4E-FE
	1.6 Aut.	04.97 - 02.00	79	4A-FE
	1.6	04.97 - 02.00	81	4A-FE
Corolla Liftback (_E11_)	1.4	04.97 - 02.00	63	4E-FE
	1.6 Aut.	04.97 - 02.00	79	4A-FE
	1.6	04.97 - 02.00	81	4A-FE
Corolla Wagon (_E11_)	1.4	04.97 - 02.00	63	4E-FE
	1.6 Aut.	04.97 - 02.00	79	4A-FE
	1.6	04.97 - 02.00	81	4A-FE
Starlet (_P7_)	1.3	10.84 - 12.89	55	2E-LC
Starlet (_P8_)	1.0	12.89 - 12.92	40	1E
	1.3 12V	12.89 - 12.92	55	2E-E/2E
	1.3 12V cat	12.89 - 03.96	55	2E-E
Starlet (EP91)	1.3	04.96 - 03.99	55	4E-FE
Hiace III Wagon (H50)	2.0	08.89 - 08.95	74	1RZ
	2.4	08.89 - 08.95	88	2RZ-E
	2.4 4WD	08.89 - 08.95	88	2RZ-E
Hiace III Van (H50)	2.0	02.90 - 08.95	74	1RZ
	2.4	08.89 - 08.95	88	2RZ-E
	2.4 4WD	08.89 - 08.95	88	2RZ-E
Hiace IV Wagon	2.4	08.95 - 04.98	85	2RZ-E
	2.4 4WD	08.95 - 04.98	85	2RZ-E
Hiace IV Van	2.4	08.95 - 04.98	85	2RZ-E
	2.4 4WD	08.95 - 04.98	85	2RZ-E

CL514

PIN

OEM-No.

TOYOTA 90080-19005

90080-19005 00



TOYOTA

Avenis (_T22_)	1.6	09.97 - 10.00	74	4A-FE
	1.6	09.97 - 10.00	81	4A-FE
Avenis Liftback (_T22_)	1.6	09.97 - 10.00	74	4A-FE
	1.6	09.97 - 10.00	81	4A-FE
Avenis St. Wagon (T22)	1.6	09.97 - 10.00	74	4A-FE
	1.6	09.97 - 10.00	81	4A-FE
Carina E (_T19_)	1.6	12.93 - 09.97	73	4A-FE
	1.6 16V	10.95 - 09.97	78	4A-FE
	1.6 GLI	04.92 - 09.97	79	4A-FE
	1.6	12.93 - 09.97	85	4A-FE

CL514

CL514

TOYOTA

Carina E Sedan (_T19_)	1.6	01.95 - 09.97	73	4A-FE
	1.6	10.95 - 09.97	78	4A-FE
	1.6	01.93 - 09.97	79	4A-FE
	1.6 16V	12.94 - 09.97	85	4A-FE
Carina E Sportswagon	1.6i	02.95 - 09.97	73	4A-FE

CL515

DIN

OEM-No.

HYUNDAI 27301 38020



2 coils and ignition lead set T745B

HYUNDAI

Santa Fé I (SM)	2.0	08.01 - 03.06	99	G4BP
	2.4 16V	02.01 - 03.06	100	G4JS-G
	2.4 16V 4x4	02.01 - 03.06	100	G4JS-G
	2.4 16V	02.01 - 03.06	107	G4JS-G
	2.4 16V 4x4	02.01 - 03.06	107	G4JS-G
Sonata IV (EF)	2.0 16V	10.01 - 11.04	96	G4JP-EG
	2.0 16V	06.98 - 10.01	100	G4JP-G
	2.4 16V	03.98 - 10.01	105	
Starex (H1)	2.4	06.97 -	82	G4CS
	2.4 4WD	02.98 -	82	G4CS
Trajet (FO)	2.0	03.00 -	100	G4JP-G
	2.0	01.04 -	103	G4GC-G
Tucson (JM)	2.0	08.04 -	104	G4GC
	2.0 Allrad	08.04 -	104	G4GC

KIA

Magentis (GD)	2.0	05.01 -	100	G4JP
Sorento (JC)	2.4	08.02 -	102	G4JS

CL519

DIN

OEM-No.

HYUNDAI 27301 02502



HYUNDAI

Atos (MX)	1.0i	02.98 - 08.00	40	G4HC
Atos Prime (MX)	1.0i	08.99 - 08.00	40	G4HC

CL520

OEM-No.

TOYOTA 90080-19021
90919-02240
90919-T2003



1 coil per cylinder

TOYOTA

IQ (_GJ1_ AJ1)	1.0	01.09 -	50	1KR-FE
Prius Sedan (NHW11_)	1.5	05.00 - 01.04	53	1NZ-FXE
Prius Liftback	1.5	08.03 -	57	1NZ-FXE
Yaris (_P1_)	1.0 16V	03.03 -	48	1SZ-FE
	1.0 16V	04.99 -	50	1SZ-FE
	1.3 16V	11.99 -	63	2NZ-FE
	1.3	04.02 -	64	2SZ-FE
	1.5TS	01.03 -	77	1NZ-FE
	1.5 VVT-iTS	04.01 -	78	1NZ-FE
Yaris (_P9_)	1.5 VVT-iTS	03.03 - 07.05	110	
	1.3 VVT-i	01.06 -	64	2SZ-FE
	1.33 VVT-i	07.10 -	73	1NR-FE
Yaris Verso (NC/LP2_)	1.33 VVT-i	03.09 -	74	1NR-FE
	1.3	11.99 -	62	2NZ-FE
	1.3	11.99 -	63	2NZ-FE
	1.5	05.03 -	77	1NZ-FE
	1.5	03.00 -	78	1NZ-FE

CL521

OEM-No.

NISSAN 22448-1F700



1 coil per cylinder

NISSAN

Micra II (K11)	1.0i 16V	08.92 - 09.00	40	CG10DE
	1.0i 16V	09.00 - 02.03	44	CG10DE
	1.3i 16V	08.92 - 09.00	55	CG13DE
	1.4i 16V	09.00 - 02.03	60	CGA3DE

CL522

OEM-No.
HONDA 30520-PDF-E11



1 coil per cylinder

HONDA

Accord VII (CG, CK)	1.6 i	10.98 - 12.02	85	D16B6
---------------------	-------	---------------	----	-------

CL523

DIN OEM-No.
HYUNDAI 27301 02600



HYUNDAI

Atos (MX)	1.0 i	08.00 - 03.02	40	G4HC
	1.0 i	03.01 -	43	G4HC-E
Atos Prime (MX)	1.0 i	08.00 -	40	G4HC
	1.0 i	03.01 -	43	G4HC-E
	1.1	06.03 -	43	G4HD

CL524

DIN OEM-No.
HYUNDAI 27301 22600



HYUNDAI

Accent II (LC)	1.3	01.00 -	55	G4E-A
	1.3	08.02 -	62	
	1.3	01.00 -	63	G4E-A
Accent Sedan (LC)	1.3	01.00 - 11.05	55	G4E-A
	1.3	01.00 - 11.05	63	G4E-A
Getz (TB)	1.3 i	09.02 -	60	G4E-A

CL525

DIN OEM-No.
HYUNDAI 27301 32800
27301 32810
27301 32820
MITSUBISHI MD 104696



HYUNDAI

H100 Bus (P)	2.4	01.97 - 03.00	84	G4CS
	2.4	07.93 - 03.00	90	G4CS
H-1 Starex (KMF)	2.4	10.97 -	82	G4CS
	2.4 4WD	10.97 -	82	G4CS
H-1 Van	2.4	03.00 -	82	G4CS
Santamo	2.0 16V	05.99 -	102	
	2.0 16V 4x4	05.99 -	102	
Sonata II (Y-2)	2.0 i 16V	01.91 - 10.93	96	G4CP-D
Sonata III (Y-3)	1.8 i	05.93 - 06.98	72	G4CM
	2.0 i	08.96 - 06.98	70	
	2.0 i	06.94 - 08.96	77	G4CP
	2.0 i 16V	06.96 - 06.98	92	G4CP-DM
Starex (H1)	2.4	06.97 -	82	G4CS
	2.4 4WD	02.98 -	82	G4CS

MITSUBISHI

Galant IV (E3_A)	2.0	04.89 - 10.92	80	4G63 (SOHC 8V)
	2.0 4x4	04.89 - 10.92	80	4G63 (SOHC 8V)
Galant IV Sedan (E3_A)	2.0	11.87 - 10.92	80	4G63 (SOHC 8V)
	2.0 4x4	12.88 - 10.92	80	4G63 (SOHC 8V)
Sapporo III (E16A)	2.4	06.87 - 08.90	91	4G64 (8V)

CL526

DIN OEM-No.
HYUNDAI 27301 33010
27301 33020
MITSUBISHI MD 126461



number of connectors: 4

HYUNDAI

Lantra I (J-1)	1.6 i.e. 16V	10.90 - 11.95	78	G4CR
	1.6 i.e. 16V	10.90 - 11.95	84	G4CR
	1.8 i.e. 16V	10.90 - 11.95	93	G4CN
Sonata II (Y-2)	2.0 i	01.91 - 10.93	80	G4CP-U
Sonata III (Y-3)	2.0 i 16V	05.93 - 06.98	102	G4CP-D

MITSUBISHI

Colt III (C5_A)	1.6 GTi 16V	04.88 - 05.90	91	4G61
-----------------	-------------	---------------	----	------


CL526

CL526				
MITSUBISHI				
Galant IV (E3_A)	2.0 GTi 16V	11.88 - 10.92	106	4 G 63 (DOHC 16V)
	2.0 GTi 16V 4x4	07.89 - 12.92	106	4 G 63 (DOHC 16V)
	2.0 GTi 16V	11.88 - 10.92	107	4 G 63 (DOHC 16V)
Galant IV Sedan (E3_A)	2.0 GTi 16V	11.87 - 10.92	106	4 G 63 (DOHC 16V)
	2.0 GTi 16V 4x4	06.88 - 10.92	106	4 G 63 (DOHC 16V)
	2.0 GTi 16V	11.88 - 10.92	107	4 G 63 (DOHC 16V)


CL527				
DIN	OEM-No.			
	HYUNDAI 27301 37110 27301 37120			
				
HYUNDAI				
Santa Fé I (SM)	2.7 V6 4x4	02.01 - 03.06	127	G6BA-G

CL528				
DIN	OEM-No.			
	HYUNDAI 27301 37100			
				
HYUNDAI				
Sonata IV (EF)	2.5 V6 24V	06.98 - 10.01	118	G6BV-G
	2.7 V6	10.01 - 11.04	127	G6BA-G
Trajjet (FO)	2.7 V6	09.00 -	127	G6BA-G

INFINITI				
G20	2.0	01.90 - 12.97	85	SR20DE
KIA				
Magentis (GD)	2.5 V6	05.01 -	124	G6BV

CL529				
DIN	OEM-No.			
	KIA 0K30A 18 10X			
				
KIA				
Rio (DC_)	1.3	09.00 - 02.05	55	
	1.3	08.02 - 02.05	60	
Rio Combi (DC)	1.3	08.00 - 02.05	55	
	1.3	08.00 - 02.05	60	

CL530				
DIN	OEM-No.			
	KIA 0K30E 18 10X			
				
number of connectors: 5				
KIA				
Carens II (FJ)	1.6	04.03 - 09.05	77	
Rio (DC_)	1.5 16V	09.00 - 02.05	72	
Rio Combi (DC)	1.5 16V	09.02 - 02.05	71	
	1.5 16V	08.00 - 02.05	72	
Shuma II (FB)	1.6	05.01 - 08.04	75	GA6D
Shuma II Sedan (FB)	1.6	05.01 - 05.04	75	GA6D

CL531				
DIN	OEM-No.			
	KIA 0K9BV 18 10X			
				
KIA				
Carnival (UP)	2.5 V6	08.99 - 10.01	121	
Carnival II (GQ)	2.5 V6	10.01 -	110	K5

CL532

DIN OEM-No.
KIA 27301 33510



KIA

Joice	2.0	09.01 -	88
	2.0	02.00 -	102 G4CP

CL533

DIN OEM-No.
SUZUKI 33410-66D00
33410-66D01



2 coils and ignition lead set T967B

SUZUKI

Grand Vitara (FT, GT)	1.6	03.98 -	69 G16B
Jimny (FJ)	1.3 16V	09.98 -	59 G13BB
	1.3 16V 4WD	09.98 -	59 G13BB

CL534

OEM-No.
NISSAN 22448-AX001



1 coil per cylinder

NISSAN

Micra III (K12)	1.0 16V	01.03 -	48 CG10DE
	1.2 16V	01.03 -	48 CR12DE/CG12DE
	1.2 16V	01.03 -	59 CR12DE/CG12DE
	1.4 16V	01.03 -	65 CR14DE
Micra C+C (K12)	1.4 16V	08.05 -	65 CR14DE
Note (E11)	1.4	03.06 -	65 CR14DE

CL535

OEM-No.
NISSAN 22448-31U01
22448-31U11



1 coil per cylinder

INFINITI


I30	3.0	01.97 -	142 VQ30DE
-----	-----	---------	------------

NISSAN

Maxima QX III (A32)	2.0	02.95 - 08.00	103 VQ20DE
	2.5 V6 24V	02.95 - 08.00	140 VQ25DE
	3.0	01.95 - 08.00	142 VQ30DE
Maxima Station Wagon	2.0 QX	10.97 -	103 VQ20DE
	2.5 V6 24V	10.97 -	140 VQ25DE
	3.0 QX	10.97 -	142 VQ30DE
Maxima QX II (A33)	2.0 V6 24V	03.00 -	103 VQ20DE
	2.5 V6 24V	03.00 -	154 VQ25DE
	3.0 V6 24V	03.00 -	147 VQ30DE
Pathfinder (R51)	4.0 4WD	09.05 -	198 VQ40DE

CL536

OEM-No.
NISSAN 22448-31U06
22448-31U16



1 coil per cylinder

INFINITI

I30	3.0	01.97 -	142 VQ30DE
-----	-----	---------	------------

NISSAN

Maxima QX III (A32)	2.0	02.95 - 08.00	103 VQ20DE
	2.5 V6 24V	02.95 - 08.00	140 VQ25DE
	3.0	01.95 - 08.00	142 VQ30DE
Maxima Station Wagon	2.0 QX	10.97 -	103 VQ20DE
	2.5 V6 24V	10.97 -	140 VQ25DE
	3.0 QX	10.97 -	142 VQ30DE
Maxima QX II (A33)	2.0 V6 24V	03.00 -	103 VQ20DE
	2.5 V6 24V	03.00 -	154 VQ25DE
	3.0 V6 24V	03.00 -	147 VQ30DE
Pathfinder (R51)	4.0 4WD	09.05 -	198 VQ40DE

CL537

OEM-No.
NISSAN 22448-2Y000



1 coil per cylinder

NISSAN

Maxima II (J30)	3.0 i	10.88 - 06.94	125	VG30E
-----------------	-------	---------------	-----	-------

CL538

OEM-No.
NISSAN 22448-2Y005



1 coil per cylinder

NISSAN

Maxima II (J30)	3.0 i	10.88 - 06.94	125	VG30E
-----------------	-------	---------------	-----	-------

CL539

DIN

OEM-No.
HYUNDAI 27301 23500
27301 23510



number of connectors: 5

HYUNDAI

Coupe (GK)	2.0	08.01 -	100	G4GC-G
	2.0	03.02 -	102	G4GC-G
	2.0 GLS	02.03 -	105	G4GC-G
Elantra (XD)	1.8	06.00 -	97	G4BB
	2.0	06.00 -	102	G4GC-G
	2.0	06.00 -	104	G4GC
Elantra Sedan (XD)	1.8	06.00 -	97	G4BB
	2.0	06.00 -	102	G4GC-G
	2.0	06.00 -	104	G4GC
Matrix (FC)	1.8	06.01 -	90	G4GB-G

CL540

DIN

OEM-No.
HYUNDAI HQ808700
MITSUBISHI HQ808700



HYUNDAI

Galloper I	3.0V6	08.91 - 07.98	104	6G72
------------	-------	---------------	-----	------

CL541

DIN

OEM-No.
KIA 27301 02700
27301-02710



HYUNDAI

Atos (MX)	1.1	03.04 -	46	G4HG
Atos Prime (MX)	1.1	09.05 -	46	G4HG
i10	1.1	01.08 -	49	G4HG

KIA

Picanto (BA)	1.0	09.05 -	45	G4HE
	1.0	11.09 -	46	G4HE
	1.1	04.04 -	48	G4HG

CL542

OEM-No.
TOYOTA 90080-19017
90080-1901700



1 coil per cylinder

TOYOTA

Aygo (B10)	1.0	07.05 -	50	1KR-FE
Corolla (_E11_)	1.4 16V	02.00 - 01.02	71	4ZZ-FE
Corolla Compact (_E11_)	1.4	02.00 - 01.02	71	4ZZ-FE
Corolla Liftback (_E11_)	1.4	02.00 - 01.02	71	4ZZ-FE

CL542



CL542

TOYOTA

Corolla Wagon (E11_)	1.4 16V	02.00 - 01.02	71	4ZZ-FE
Yaris (P9_)	1.0VVT-i	01.06 -	51	1KR-FE

CL543

DIN

OEM-No.

MITSUBISHI MD 113551

MD 131711



MITSUBISHI

Pajero I (L04_G, L14_G)	3.0V6	11.88 - 11.90	104	6G72
Pajero I Canvas Top	2.6	01.83 - 11.90	76	4G54
Pajero II (V__W)	3.0V6 4x4	12.90 - 12.95	110	6G72 /6G72 (SOHC 12V)
Pajero II Canvas Top	3.0V6	12.90 - 12.95	110	6G72

CL544

PIN

OEM-No.

KIA OK011 18 100



KIA

Sportage (K00)	2.0i 4WD	04.94 - 08.99	70	FE
----------------	----------	---------------	----	----

CL545

DIN

OEM-No.

KIA OK9A2 18 10XB



KIA

Clarus (K9A)	2.0i 16V	07.96 -	98	FE (16V)
Clarus Combi (GC)	2.0i 16V	05.98 -	98	FE (16V)

CL546

DIN

OEM-No.

KIA 27301 26600



HYUNDAI

Accent II (LC)	1.6	12.02 -	77	G4ED-G
Accent Sedan (LC)	1.6	12.02 - 11.05	77	G4ED-G
Accent III (MC)	1.4 GL	11.05 -	71	G4EE
Accent Sedan (MC)	1.4 GL	11.05 -	71	G4EE
	1.6 GLS	11.05 -	82	G4ED
Coupe (GK)	1.6 16V	03.02 -	77	G4ED-G
	1.6 16V	03.02 -	79	G4ED-G
Elantra (XD)	1.6	05.03 -	77	G4ED-G
	1.6	06.00 -	79	G4ED-G
Elantra Sedan (XD)	1.6	05.03 -	77	G4ED-G
	1.6	06.00 -	79	G4ED-G
Getz (TB)	1.6	09.02 -	77	G4ED-G
Matrix (FC)	1.6	06.01 -	76	G4ED-G

KIA

Cerato (LD)	1.6	07.04 -	77	G4ED
Cerato Sedan (LD)	1.6	04.04 -	77	G4ED
Rio II (JB)	1.4 16V	03.05 -	71	G4EE
	1.6 CVVT	03.05 -	82	G4ED
Rio II Sedan (JB)	1.4 16V	03.05 -	71	G4EE
	1.6 16V	03.05 -	82	G4ED

CL547

DIN Ø5

OEM-No.

MITSUBISHI MD 325048

MD 362907



2 coils and ignition lead set T533P

MITSUBISHI

Carisma (DA_)	1.6	07.95 - 06.06	66	4 G 92
	1.6	12.98 - 06.06	70	4 G 92
	1.6	05.97 - 06.06	73	4 G 92
	1.6	09.00 - 06.06	76	4 G 92
	1.8	07.95 - 06.06	85	4G93
Carisma Sedan (DA_)	1.6	09.96 - 06.06	66	4 G 92
	1.6	12.98 - 06.06	70	4 G 92
	1.6	05.97 - 06.06	73	4 G 92
	1.6	09.00 - 06.06	76	4 G 92

CL547

CL547				
MITSUBISHI				
Carisma Sedan (DA_)	1.8	09.96 - 06.06	85	4G93
Colt IV (CA_A)	1.6	02.94 - 04.96	66	4 G 92
	1.6 GLXi 16V	04.92 - 04.96	83	4 G 92
Colt V (CJ_A)	1.3	09.00 - 07.05	60	4 G 13 (16V)
	1.6 GLX	05.96 - 09.00	66	4 G 92
	1.6	09.00 - 07.05	76	4 G 92
Eclipse II (D3_)	2.4 GS 16V	09.98 - 04.99	105	
Galant VI (EA_)	2.0	09.00 - 10.04	98	4 G 63 (DOHC 16V)
	2.0	09.96 - 09.00	100	4 G 63 (DOHC 16V)
	2.4 GDI	09.00 - 10.04	106	4G64 (GDI)
	2.4 GDI	02.99 - 09.00	110	4G64 (GDI)
Galant VI St. Wagon	2.0	09.00 - 10.03	98	4 G 63 (DOHC 16V)
	2.0	09.96 - 09.00	100	4 G 63 (DOHC 16V)
	2.4 GDI	09.00 - 10.03	106	4G64 (GDI)
	2.4 GDI	02.99 - 09.00	110	4G64 (GDI)
Grandis (NA_W)	2.4	04.04 -	121	4G69
Lancer VI (CK/P_A)	1.6 16V	12.95 - 08.03	66	4 G 92
Lancer Sedan (CS_A)	1.6	09.03 -	72	4G18
	2.0	12.03 -	99	4 G 63 (DOHC 16V)
Lancer Combi (CS_W)	2.0	09.03 - 12.07	99	4 G 63 (DOHC 16V)
Outlander I (CU_)	2.4 4WD	05.03 -	102	4G64 (SOHC 16V)
	2.4 4WD	11.03 -	118	4G69
	2.4 4WD	05.03 -	119	4G69
Pajero II Canvas Top	1.8 GDI	06.98 - 04.00	96	4G93 (GDI)
Space Wagon	2.0	10.92 - 10.98	98	4 G 63 (DOHC 16V)
	2.0 4x4	10.92 - 10.98	98	4 G 63 (DOHC 16V)
Space Wagon (N5_W)	2.0 GDI	04.02 - 12.04	98	4 G 63 (DOHC 16V)
	2.4 GDI	09.00 -	108	4G64 (GDI)
	2.4 GDI 4x4	09.00 -	108	4G64 (GDI)
	2.4 GDI	10.98 -	110	4G64 (GDI)
	2.4 GDI 4x4	10.98 -	110	4G64 (GDI)
Space Runner (N50)	2.0	08.99 -	100	4 G 63 (DOHC 16V)
Space Star (DGO)	1.3 16V	09.00 -	60	4 G 13 (16V)
	1.3 16V	12.98 -	61	4 G 13 (16V)
	1.3 16V	06.98 -	63	4 G 13 (16V)
	1.6 16V	01.01 -	72	4G18
	1.8 MPI	10.02 -	82	4G93

CL548				
PIN	OEM-No.			
	KIA OK013 18 100			



2 coils and ignition cables

KIA				
Sportage (K00)	2.0	10.00 - 08.03	87	
	2.0 4WD	10.00 - 08.03	87	
	2.0i 16V	10.99 - 08.03	94	FE (16V)
	2.0i 16V 4WD	04.94 - 08.03	94	FE (16V)

CL549				
				OEM-No.
				MITSUBISHI MD 362913



1 coil per cylinder

MITSUBISHI				
Carisma (DA_)	1.8 16V	07.95 - 06.06	103	4G93
	1.8 16V GDI	09.97 - 06.06	92	4G93 (GDI)
	1.8 GDI	10.00 - 06.06	90	4G93 (GDI)
Carisma Sedan (DA_)	1.8 16V GDI	09.97 - 06.06	92	4G93 (GDI)
	1.8 GDI	10.00 - 06.06	90	4G93 (GDI)
Pajero Pinin	1.8	11.01 -	84	4G93
	1.8 GDI	10.99 -	88	4G93 (GDI)
	2.0 GDI	10.00 -	95	4G94 (GDI)
Space Star (DGO)	1.8 GDI	06.98 -	87	4G93 (GDI)
	1.8 GDI	06.98 -	90	4G93 (GDI)

CL550				
				OEM-No.
				HONDA 30520-P8E-A01 30520-P8F-A01 30520-P8F-A02



1 coil per cylinder

HONDA				
Accord VII Coupe (CG)	3.0 V6 24V	02.98 - 06.03	147	J30A1
Civic VII Sedan (ES)	1.7	02.01 - 09.05	85	D17A6
Civic VII Coupe (EM2)	1.7 i	05.01 - 12.05	88	D17A8
	1.7 i VTEC	05.01 - 12.05	92	D17A5/D17A9
FR-V (BE)	1.7	02.05 -	92	D17A2
Legend IV (KB_)	3.5 V6 4WD	05.06 -	217	C35A8
Stream (RN)	1.7 16V	05.01 -	92	D17A2

CL551

DIN OEM-No.
HYUNDAI 27301 02100

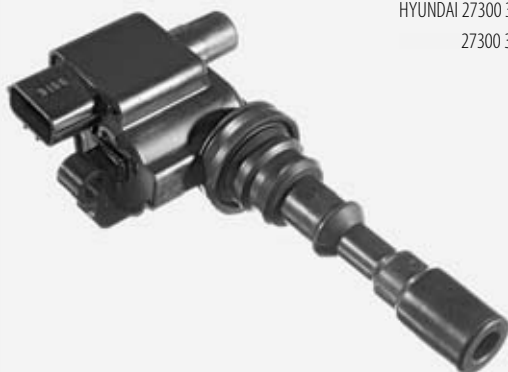


HYUNDAI

Getz (TB)	1.1	09.02 -	46	G4HD
-----------	-----	---------	----	------

CL553

PIN OEM-No.
HYUNDAI 27300 39700
27300 39800



3 coils and ignition lead set T238P

HYUNDAI

Terracan (HP)	3.5 iV6 4WD	12.01 -	143	G6CU
XG 25 (XG)	2.5	12.98 -	120	
XG 30/300 (XG)	3.0	12.98 -	138	G6CT-G
XG 350 (XG)	3.5	04.03 -	145	G6CU

KIA

Carnival II (GQ)	3.5	07.02 -	143	G6CU
Carnival III (VQ)	2.7 V6	06.06 -	139	G6EA
Opirus (GH)	3.5	09.03 -	149	G6CU
	3.8 V6	10.06 -	196	G6DA
Sorento (JC)	3.5 V6	08.02 -	143	G6CU

CL554

OEM-No.
NISSAN 22448ED800
22448ED800EP



1 coil per cylinder

NISSAN

Cube (Z12)	1.6 16V	03.10 -	81	HR 16 DE
Micra III (K12)	1.6 160 SR	05.05 -	81	HR 16 DE

CL554

NISSAN

Micra C+C (K12)	1.6 160 SR	08.05 -	81	HR 16 DE
Note (E11)	1.6	03.06 -	81	HR 16 DE
Qashqai (J10, JJ10)	1.6	02.07 -	84	HR 16 DE
	2.0	02.07 -	103	MR20DE
	2.0 Allrad	02.07 -	103	MR20DE
Tiida CC (C11X)	1.6	09.07 -	81	HR 16 DE
	1.8	09.07 -	93	MR18DE
Tiida Sedan (SC11X)	1.6	09.07 -	81	HR 16 DE
	1.8	09.07 -	93	MR18DE
X-Trail (T31)	2.0	06.07 -	104	MR20DE
	2.0 FWD	03.07 -	104	MR20DE
	2.0	06.08 -	103	MR20DE
	2.0 FWD	06.08 -	103	MR20DE

RENAULT

Laguna III (BT0/1)	2.0 16V	10.07 -	103	M4R 704
Laguna III Grandtour	2.0 16V	10.07 -	103	M4R 704

CL555

OEM-No.
PSA 597088
TOYOTA 90080-19015
90080-19019
90919-02239
90919-T2002



1 coil per cylinder

CITROEN

C1 (PM_, PN_)	1.0	06.05 -	50	1KR-FE
---------------	-----	---------	----	--------

DAIHATSU

Cuore VIII	1.0	04.07 -	51	1KR-FE
Extol Bus (S22_, S23_)	1.3	07.00 -	63	K3-VE
Sirion (M1)	1.3 Sport	08.00 - 01.05	75	K3-VE2
	1.3 Sport 4WD	08.00 - 01.05	75	K3-VE2
Sirion (M3_)	1.3	03.08 -	67	K3-VE
	1.3 4WD	03.08 -	67	K3-VE
	1.5	03.08 -	76	3SZ-VE
Terios (J1)	1.3	09.01 - 10.05	63	K3-VE
	1.3 4WD	10.00 - 10.05	63	K3-VE
YRV (M2)	1.3	02.01 -	64	K3-VE
	1.3 4WD	02.01 -	64	K3-VE
	1.3 GTi	07.02 -	95	K3-VET

PEUGEOT

107	1.0	06.05 -	50	1KR (384 F)
-----	-----	---------	----	-------------

SUBARU

Justy IV	1.0	01.07 -	51	1KR-FE
----------	-----	---------	----	--------

TOYOTA

Auris (_ZE15_, _RE15_)	1.4 VVTi	03.07 -	71	4ZZ-FE
Avenis (_T22_)	1.6 VVT-i	10.00 - 02.03	81	3ZZ-FE
	1.8 VVT-i	10.00 - 02.03	95	1ZZ-FE
Avenis Liftback (_T22_)	1.6 VVT-i	10.00 - 02.03	81	3ZZ-FE
	1.8 VVT-i	10.00 - 02.03	95	1ZZ-FE
Avenis St. Wagon (T22)	1.6 VVT-i	10.00 - 02.03	81	3ZZ-FE
	1.8 VVT-i	10.00 - 02.03	95	1ZZ-FE
Avenis (T25)	1.6 VVT-i	04.03 -	81	3ZZ-FE
	1.8	04.03 -	95	1ZZ-FE
Avenis Sedan (T25)	1.6 VVT-i	04.03 -	81	3ZZ-FE

CL555

CL555

TOYOTA

Avensis Sedan (T25)	1.8	04.03 -	95	1ZZ-FE
Avensis Combi (T25)	1.6 VVT-i	04.03 -	81	3ZZ-FE
	1.8	04.03 -	95	1ZZ-FE
Aygo (B10)	1.0	07.05 -	50	1KR-FE
Celica (ZZT23_)	1.8 16V VVT-i	11.99 -	105	1ZZ-FE
Corolla (_E11_)	1.6 16V	02.00 - 01.02	81	3ZZ-FE
Corolla Compact (_E11_)	1.6	02.00 - 01.02	81	3ZZ-FE
Corolla Liftback (_E11_)	1.6	02.00 - 01.02	81	3ZZ-FE
Corolla Wagon (_E11_)	1.6 16V	02.00 - 01.02	81	3ZZ-FE
Corolla (_E12U_, _E12J_)	1.4 VVT-i	01.02 - 12.06	71	4ZZ-FE
	1.6 VVT-i	01.02 - 12.06	81	3ZZ-FE
Corolla Combi (_E12_)	1.4 VVT-i	01.02 -	71	4ZZ-FE
	1.6 VVT-i	01.02 -	81	3ZZ-FE
Corolla Sedan (_E12_)	1.4 VVT-i	08.02 -	71	4ZZ-FE
	1.6 VVT-i	08.02 -	81	3ZZ-FE
Corolla Verso (_E12J_)	1.4 VVT-i	01.02 - 05.04	71	4ZZ-FE
	1.6 VVT-i	01.02 - 05.04	81	3ZZ-FE
	1.8 VVT-i	01.02 - 05.04	99	1ZZ-FE
Corolla Verso (Z_, R1_)	1.6	04.04 -	81	3ZZ-FE
	1.8	04.04 -	95	1ZZ-FE
MR 2 III (_W3_)	1.8 16V VVT-i	04.00 -	103	1ZZ-FE
RAV 4 II (XA2)	1.8 VVTi	02.01 -	92	1ZZ-FE
Yaris (_P9_)	1.0 VVT-i	01.06 -	51	1KR-FE

CL556



1 coil per cylinder

HONDA

Accord VIII (CL_, CM_)	2.0	02.03 -	114	K20A6
	2.0 Allrad	02.03 -	114	K20A6
	2.4	02.03 -	140	K24A3/K24A
Accord VIII Tourer (CM_)	2.0	04.03 -	114	K20A6
	2.4	04.03 -	140	K24A
Civic VII Hatchback	2.0 i Sport	01.04 - 09.05	118	K20A3
	2.0 Type R	09.01 - 09.05	147	K20A2
Civic VIII Hatchback	2.0 Type R	09.06 -	148	K20Z4
CR-V II (RD_)	2.0	07.02 - 09.06	110	K20A4
CR-V III	2.0 i	01.07 -	110	R20A2
FR-V (BE)	2.0	02.05 -	110	K20A9
Stream (RN)	2.0 16V	05.01 -	115	K20A1

OEM-No.

HONDA 30520-PNA-007
30520-RAA-007
30520-RRA-007

CL557



1 coil per cylinder

SUZUKI

Baleno (EG)	1.8 GTX	03.96 - 05.02	89	J18A
Baleno CC (EG)	1.8 GTX	03.96 - 05.02	89	J18A
Baleno Combi (EG)	1.8 i 16V	08.96 - 05.02	89	J18A
Grand Vitara (FT, GT)	2.0	03.98 -	94	J20A
	2.5 V6 24V	04.98 -	106	H 25 A
	2.5 V6 24V	04.01 -	116	H 25 A
	2.7 XL-7	09.01 -	127	
Grand Vitara (JT)	2.7 XL-7	04.03 -	135	H 27 A
	2.0 Allrad	10.05 -	103	J20A
Vitara (ET, TA)	2.0 16V	12.96 - 03.98	97	J20A
	2.0 V6 24V	12.94 - 03.98	100	H 20 A
	2.5 V6 24V	12.95 - 03.98	118	H 25 A
Vitara Cabrio (ET, TA)	2.0 16V	12.96 - 03.99	97	J20A

OEM-No.

SUZUKI 33410-77E21
33410-77E22

CL558

DIN



HYUNDAI

Galloper II (JK-01)	3.0 V6	08.98 -	104	G6AT
---------------------	--------	---------	-----	------

KIA

Pride (DA)	1.1 i	01.91 -	38	B1
	1.3 16V	01.90 -	44	B3
	1.3 16V	10.96 -	47	B3
	1.3 i	01.90 -	51	
Pride Combi	1.3 16V	01.90 -	53	B3
	1.3	08.99 -	47	

NISSAN

Bluebird (U11)	1.8 Turbo	04.84 - 05.90	99	CA18T
Bluebird (T72, T12)	1.8 Turbo	12.85 - 05.90	99	CA18T

CL558

CL558				
NISSAN				
Bluebird Hatchback	1.8 Turbo	12.85 - 05.90	99	CA18T
Sunny II (N13)	1.6i	06.86 - 10.90	54	E16i
	1.6i 4x4	06.86 - 10.90	54	E16i
Sunny II Hatchback	1.6i	06.86 - 10.90	54	E16i

CL559		OEM-No.
DIN		MAZDA JF01-18-100B



MAZDA				
626 III (GD)	2.0 12V	09.87 - 05.92	79	FE (12V)
	2.0 16V	11.87 - 05.92	103	FE Kat. (16V)
	2.2 12V	11.87 - 07.91	85	F2
	2.2 12V 4WD	01.90 - 05.92	85	F2
626 III Hatchback (GD)	2.0 12V	11.87 - 05.92	79	FE (12V)
	2.0 16V	11.87 - 10.90	103	FE Kat. (16V)
	2.2 12V	06.88 - 04.92	85	F2
	2.2 12V 4WD	11.87 - 07.90	85	F2
626 III Stat. Wagon (GV)	2.0	10.88 - 09.97	66	FE
	2.0 16V	01.88 - 03.92	103	FE Kat. (16V)
	2.2 12V	03.89 - 11.96	85	F2
	2.2 12V 4WD	05.91 - 11.92	85	F2L1/F2
626 III Coupe (GD)	2.0 12V	09.87 - 12.88	79	FE (12V)
	2.0 16V	12.87 - 10.90	103	FE Kat. (16V)
	2.2 12V	04.88 - 12.91	85	F2
929 III (HC)	3.0	01.88 - 12.89	125	JE3
	3.0	06.87 - 06.91	140	JE
	3.0i	01.90 - 06.91	123	JE3

CL560		OEM-No.
DIN		HONDA 30500-PR4-A02



HONDA				
Civic IV Hatchback	1.5i 16V	10.88 - 09.91	66	D15B2
	1.5i 16V	10.88 - 09.91	69	D15B2
	1.6i 16V	10.87 - 09.91	80	D16A6
	1.6i 16V	10.87 - 09.91	81	D16Z2
	1.6i 16V Vtec	10.89 - 09.91	110	B16A1

CL560				
HONDA				
Civic IV Sedan (ED)	1.6i 16V	11.87 - 09.91	80	D16A6
	1.6i 16V 4x4	10.89 - 09.91	80	D16A6
	1.6i 16V	10.87 - 09.91	81	D16Z2
Civic V Sedan (EG, EH)	1.6 VTi	10.91 - 11.95	118	B16A2
Civic II Shuttle (EE)	1.6i 16V 4WD	01.88 - 12.89	80	D16A6
	1.6i 16V 4WD	01.88 - 02.95	81	D16A6
Concerto (HW)	1.5i 16V	08.89 - 03.95	66	D15B2

CL561		OEM-No.
DIN		FIAT 71742420 SUZUKI 33400-65G01



2 coils and ignition lead set T967B


FIAT				
Sedici	1.6 16V	06.06 -	79	M16A
	1.6 16V	06.06 -	88	M16A
	1.6 16V 4x4	06.06 -	79	M16A
	1.6 16V 4x4	06.06 -	88	M16A

SUBARU				
Justy III (G3X)	1.5	09.03 -	73	M15A

SUZUKI				
Alto IV (FF)	1.1	06.02 -	46	F10DN/F10D
Baleno (EG)	1.3	09.96 - 05.02	52	G13BA
	1.3i 16V	07.95 - 05.02	63	G13B
	1.6i 16V	07.95 - 05.02	72	G16B
	1.6i 16V 4x4	07.95 - 05.02	72	G16B
Baleno CC (EG)	1.3	09.96 - 05.02	52	G13BA
	1.3i 16V	07.95 - 05.02	63	G13B/G13BB
	1.6i 16V	07.95 - 05.02	72	G16B
	1.6i 16V 4x4	07.95 - 05.02	72	G16B
Baleno Combi (EG)	1.3 16V	03.97 - 05.02	63	G13BB
	1.6i 16V	08.96 - 05.02	72	G16B
	1.6i 16V 4x4	08.96 - 05.02	72	G16B
	1.6i 16V	08.96 - 05.02	73	
	1.6i 16V 4x4	08.96 - 05.02	73	G16B
Carry Van (FD)	1.3	03.99 -	58	G13B
	1.3 16V	03.00 -	58	G13BB
Grand Vitara (JT)	1.6 Allrad	04.05 -	78	M16A
Ignis (FH)	1.3	10.00 - 09.03	61	M13A
	1.3 4WD	10.00 - 09.03	61	M13A
Ignis II	1.3	09.03 -	69	M13A
	1.3 4x4	09.03 -	69	M13A
	1.5	09.03 -	73	M15A
	1.5 4x4	09.03 -	73	M15A
	1.5 Sport	12.03 -	80	M15A
Jimny (EJ)	1.3 16V	02.01 -	60	M13A
	1.3 16V 4WD	02.01 -	60	M13A
	1.3 16V 4x4	08.05 -	63	M13A
Liana (ER)	1.3	03.02 -	66	M13A
	1.6	03.02 -	76	M16A

CL561			
SUZUKI			
Liana (ER)	1.6 4WD	03.02 -	76
	1.6 i	04.02 -	78 M16A
	1.6 4WD	04.02 -	78 M16A
Liana Combi (ER)	1.3	07.01 -	66
	1.6	07.01 -	76 M16A
	1.6 4WD	07.01 -	76
	1.6 i	04.02 -	78 M16A
	1.6 4WD	04.02 -	78 M16A
SX4 (GY)	1.5	06.06 -	73 M15A
	1.5 VVT	07.10 -	82 M15A
	1.6 VVT	06.06 -	79 M16A
	1.6 VVT 4x4	06.06 -	79 M16A
	1.6 VVT	07.09 -	88 M16A
	1.6 VVT 4x4	07.09 -	88 M16A
	1.6 VVT 4x4	07.09 -	82 M16A
SX4 Sedan (GY)	1.6	10.07 -	79 M16A
Swift Cabriolet (SF413)	1.3 i	09.91 - 10.96	50 G13BA
Swift III (SG)	1.3 4x4	01.06 -	66 M13A
	1.3	02.05 -	68 M13A
	1.3 4x4	02.05 -	68 M13A
	1.5	02.05 -	75 M15A
	1.6	05.06 -	92 M16A
Wagon R+ (MM)	1.3	05.00 -	56 G13BB
	1.3 4WD	10.01 -	56 G13BB
	1.3	09.03 -	69 M13A
	1.3 4WD	09.03 -	69 M13A

CL562			
DIN	OEM-No.		
	MITSUBISHI MD158956		



number of connectors: 2

MITSUBISHI			
Eclipse I (D2_A)	2.0 i 16V	04.91 - 11.95	110 4 G 63 (DOHC 16V)
	2.0 i 16V 4x4	04.91 - 11.95	110 4 G 63 (DOHC 16V)
Galant IV Sedan (E3_A)	1.8	11.87 - 10.92	66 4G37
	2.0	11.87 - 10.92	80 4G63 (SOHC 8V)
	2.0 GTi 16V	11.87 - 10.92	106 4 G 63 (DOHC 16V)
	2.0 GTi 16V 4x4	06.88 - 10.92	106 4 G 63 (DOHC 16V)
	2.0 GTi 16V	11.88 - 10.92	107 4 G 63 (DOHC 16V)
Lancer IV (C6_A, C7_A)	1.6 16V	06.92 - 05.94	83 4 G 92
	1.6 4x4	06.92 - 11.93	84 4 G 92

CL563		
DIN	OEM-No.	
	DAIHATSU 19500-87201	90048-52084
	19500-87201-000	90048-52085
	19500-87202	90048-52086
	90048-52070	90048-52091
	90048-52072	90048-52093
	90048-52072-000	90048-52093-000
	90048-52077	90048-52095
	90048-52078	90048-52095-000
	90048-52079	90048-52098
		90048-52099



DAIHATSU				
Charade III	1.0	03.87 - 12.92	38 CB 23	
	1.0	11.90 - 12.92	40 CB 90	
	1.0	04.89 - 12.92	41 CB 90	
	1.0 GTi	03.87 - 12.92	74 CB 80T	
	1.3 i	06.88 - 12.92	66 HCE	
	1.3 i 4WD	06.88 - 01.93	66 HCE	
	Charade III Sedan (G102)	1.3	11.90 - 02.93	66 HCE
	Charade IV (G200, G202)	1.3	09.96 - 11.99	44 HC
		1.3 16V	05.96 - 11.99	55 HCE
1.3 i 16V		01.93 - 11.99	62 HC	
Cuore II (L80, L81)	0.8	11.89 - 12.90	29 ED 10	
	0.8	09.85 - 06.90	32 ED 10	
	0.8 4WD	09.86 - 10.88	32 ED 10	
Feroza Soft Top (F300)	1.6 16V	10.88 -	63 HDC	
	1.6 i 16V	10.88 -	70 HD-E	
Feroza Hard Top (F300)	1.6 16V	10.88 -	63 HDC	
	1.6 i 16V	10.88 -	70 HD-E	

CL564	
	OEM-No.
	TOYOTA 90919-02247
	90919-02248
	90919-A2001



1 coil per cylinder

TOYOTA			
Avenis (_T22_)	2.0 VVT-i	10.00 - 02.03	110 1AZ-FSE
Avenis Liftback (_T22_)	2.0 VVT-i	10.00 - 02.03	110 1AZ-FSE
Avenis St. Wagon (T22)	2.0 VVT-i	10.00 - 02.03	110 1AZ-FSE
Avenis (T25)	2.0	04.03 -	108 1AZ-FSE

CL564



CL564

TOYOTA

Avensis (T25)	2.4	10.03 -	120	2AZ-FSE
	2.4	09.03 -	125	2AZ-FSE
Avensis Sedan (T25)	2.0	04.03 -	108	1AZ-FSE
	2.4	10.03 -	120	2AZ-FSE
	2.4	09.03 -	125	2AZ-FSE
Avensis Combi (T25)	2.0	04.03 -	108	1AZ-FSE
	2.4	10.03 -	120	2AZ-FSE
	2.4	09.03 -	125	2AZ-FSE
Avensis Verso (_ACM2_)	2.0VVT-i	09.05 -	110	1AZ-FE
Land Cruiser (J12_)	4.0	01.03 -	183	1GR-FE

CL565

DIN

OEM-No.

HYUNDAI 27301-23700

KIA 27301-23700



number of connectors: 3

HYUNDAI

Coupe (GK)	2.0	03.02 -	102	G4GC-G
Elantra (XD)	2.0	10.03 -	105	G4GC
Elantra Sedan (XD)	2.0	10.03 -	105	G4GC
Matrix (FC)	1.8	06.01 -	90	G4GB-G

KIA

Cerato (LD)	2.0	04.04 -	105	G4GC
Cerato Sedan (LD)	2.0	04.04 -	105	G4GC
Sportage (JE_)	2.0i 16V	09.04 -	104	G4GC
	2.0 16V 4WD	09.04 -	104	G4GC

CL566

OEM-No.

HYUNDAI 27301-2B000



1 coil per cylinder

HYUNDAI

i30	1.4	10.07 -	77	G4FA
	1.4	10.07 -	80	G4FA
	1.6	10.07 -	85	
	1.6	10.07 -	90	G4FC

KIA

Cee'd (ED)	1.4 CVVT	06.10 -	66	G4FA-L
	1.4	12.06 -	77	G4FA

CL566

KIA

Cee'd (ED)	1.4	12.06 -	80	G4FA
	1.6	09.07 -	85	G4FC
	1.6	12.06 -	90	G4FC
	1.6 CVVT	10.10 -	92	G4FC
	1.6	02.08 -	93	G4FC
Cee'd Combi (ED)	1.4 CVVT	10.10 -	66	G4FA-L
	1.4	09.07 -	80	G4FA
	1.6	09.07 -	85	G4FC
	1.6	09.07 -	90	G4FC
	1.6 CVVT	06.09 -	92	G4FC
	1.6	09.07 -	93	G4FC
	1.6	09.07 -	93	G4FC
Cerato Sedan (LD)	1.6	05.06 -	90	G4FC

CL568

OEM-No.

TOYOTA 90919-02163



TOYOTA

Camry	2.2	06.91 - 08.96	100	5S-FE
Camry Station Wagon	2.2	03.92 - 07.96	100	5S-FE
Camry (_CV2_, _XV2_)	2.2	08.96 - 11.01	96	5S-FE
Carina E (_T19_)	2.0i	12.93 - 09.97	93	3S-FE
	2.0 GLI	04.92 - 09.97	98	3S-FE
	2.0 GTi	04.92 - 02.94	116	3S-GE
Carina E Sedan (_T19_)	2.0 GTi 16V	03.94 - 09.97	129	3S-GE
	2.0i	12.92 - 09.97	93	3S-FE
	2.0	01.93 - 09.97	98	3S-FE
	2.0 GTi	04.92 - 02.94	116	3S-GE
Carina E Sportswagon	2.0 GTi 16V	03.94 - 09.97	129	3S-GE
	2.0i	05.95 - 09.97	93	3S-FE
	2.0 GLI	01.93 - 09.97	98	3S-FE
Hilux II Pick-up (_N_)	2.4i 4WD	06.89 -	84	22RE
Paseo Coupe (EL54)	1.5 16V	08.95 - 07.99	66	5E-FE
Paseo Cabriolet (EL54)	1.5 16V	10.96 - 03.99	66	5E-FE
RAV 4 I (SXA1_)	2.0 16V	06.94 - 06.00	95	3S-FE
RAV 4 I Cabrio (SXA1_)	2.0 16V	12.97 - 06.00	94	3S-FE

CL569

OEM-No.

HONDA 30500-POAA01

30500-POHA01

30500-PAAA01

30500-PCAA01

30500-PDAA01

ROVER GCL207

NEC100750



HONDA

Accord VI (CE, CF)	1.9i	02.96 - 10.98	85	F18A3
--------------------	------	---------------	----	-------

CL569

CL569				
HONDA				
Accord VI (CE, CF)	2.2 i VTEC	02.96 - 10.98	110	F22Z2
Accord VII (CG, CK)	1.8 i	10.98 - 12.02	100	F18B2
	2.0 i	10.98 - 01.01	108	F20B6
	2.3	01.01 - 06.03	113	F23Z5/F23A1
Accord VII Coupe (CG)	2.0 i 16V	02.98 - 06.03	108	F20B7/F20B5
Accord VII Hatchback	1.8 i	12.99 - 12.02	100	F18B2
	2.0	12.99 - 12.02	108	F20B6
	2.3	11.00 - 12.02	113	F23Z5
Civic VI Fastback (MA)	1.4 i	09.95 - 01.97	55	D14A5
	1.4 i	09.94 - 01.97	66	D14A2
Civic VI Aerodeck	1.5 16V	04.98 - 02.01	84	D15Z8
Shuttle (RA)	2.3 16V	10.97 - 06.04	110	F23A7
ROVER				
618 i/Si (RH)	1.9	03.96 - 02.99	85	F 18 A3

CL570	
DIN	OEM-No. SUBARU 22433-AA240 22433-AA370

SUBARU				
Impreza Coupe (GFC)	2.0 4WD	12.95 - 12.00	85	EJ20
	2.0 Turbo 4WD	12.96 - 12.00	155	EJ20G
Impreza Sedan (GC)	2.0 i 4WD	10.95 - 12.00	85	EJ20
	2.0 Turbo GT 4WD	03.94 - 12.00	155	EJ20 (Turbo)
Impreza Stat. Wagon (GF)	2.0 4WD	12.95 - 12.00	85	EJ20
	2.0 16V AWD	06.98 - 12.00	92	EJ20
	2.0 i Turbo 4WD	03.94 - 12.00	155	EJ20 (Turbo)
Legacy II (BD, BG)	2.0 i	09.94 - 03.99	85	EJ20E
	2.0 i 4WD	09.94 - 03.99	85	EJ20
	2.2 i 4WD	09.94 - 03.99	94	EJ22 EMPI
	2.2 i 4WD	06.96 - 03.99	96	EJ22 EMPI
	2.5 i 4WD	06.96 - 03.99	110	EJ25D
Legacy II St.Wagon	2.0 i	09.94 - 11.98	85	EJ20 EMPI
	2.0 i 4WD	09.94 - 11.98	85	EJ20
	2.2 i 4WD	02.94 - 12.98	94	EJ22 EMPI
	2.2 i 4WD	06.96 - 11.98	96	EJ22 EMPI
	2.5 i 4WD	06.96 - 11.98	110	EJ25D

CL571	
	OEM-No. TOYOTA 90080-19016 90919-02234

1 coil per cylinder

LEXUS				
RX 300 (XU1)	3.0V6	10.00 - 05.03	148	1MZ-FE
RX 300 (MCU_)	3.0	05.03 -	150	1MZ-FE
TOYOTA				
Camry (_CV2_, _XV2_)	3.0V6	08.96 - 11.01	135	1MZ-FE
	3.0 24V	08.96 - 11.01	140	1MZ-FE
Camry (_XV3_)	3.0V6	11.01 -	137	1MZ-FE

CL572	
DIN Ø5	OEM-No. MAZDA FFY1-18-100 FP85-18-100C

2 coils and ignition lead set T248P

MAZDA				
323 F VI (BJ)	1.9 16V	09.98 - 01.01	84	
	2.0	01.01 - 05.04	96	FS7G/FS7E
323 S VI (BJ)	1.9 16V	09.98 - 05.04	84	
	2.0	01.01 - 05.04	96	FS7G/FS7E
Premacy (CP)	1.8	07.99 -	74	FP
	1.9	07.99 -	84	FP
	2.0	11.01 -	96	FS7G/FS7E

CL573	
DIN	OEM-No. MAZDA B61P-18-10XC B61P-18-10XD

MAZDA				
MX-5 I (NA)	1.6	01.95 - 04.98	66	
	1.6	05.90 - 01.94	85	B64F

CL573

MAZDA

MX-5 II (NB)	1.6 16V	05.98 - 10.05	81	B6D
--------------	---------	---------------	----	-----

CL574

DIN	OEM-No. TOYOTA 9091902185
-----	------------------------------



LEXUS

ES 250 (F1, F2)	2.5	12.89 - 09.91	118	2VZ-FE
-----------------	-----	---------------	-----	--------

TOYOTA

Camry (_V2_)	2.5V6 GXI	02.88 - 05.91	118	2VZ-FE
Camry St. Wagon (_V2_)	2.5	01.90 - 05.91	118	2VZ-FE
Land Cruiser 80 (_J8_)	4.0	01.90 - 08.92	115	3F-E
MR 2 II (_W2_)	2.0 16V	12.89 - 12.91	115	3S-GE
	2.0 16V	12.89 - 12.91	125	3S-GE
	2.0 16V	12.89 - 12.91	129	3S-GE

CL575

OEM-No. TOYOTA 90919-02230



1 coil per cylinder

LEXUS

GS 430 (JZS160)	4.3	11.00 - 03.05	208	3UZ-FE
IS 200 I (GXE10)	2.0	04.99 -	114	1G-FE
IS 200 Sportcross	2.0	10.02 -	114	1G-FE
LS 430 (FE)	4.3	10.00 -	207	3UZ-FE
SC 430	4.3	08.01 -	210	3UZ-FE

TOYOTA

Land Cruiser 100 (_J10_)	4.7	01.98 -	173	2UZ-FE
	4.7	02.02 -	175	2UZ-FE
Land Cruiser (_J20_)	4.7V8	01.08 -	212	2UZ-FE

CL576

OEM-No. TOYOTA 90919-02237



1 coil per cylinder

TOYOTA

Land Cruiser (J12_)	2.7	09.02 - 08.04	112	3RZ-FE
Hiace IV Wagon	2.7	04.98 - 11.01	105	3RZ-FE
	2.7 4WD	04.98 -	105	3RZ-FE
	2.7	11.01 -	106	3RZ-FE
Hiace IV Van	2.7	04.98 -	105	3RZ-FE
	2.7 4WD	04.98 -	105	3RZ-FE

CL577

OEM-No. TOYOTA 90919-02238



1 coil per cylinder

TOYOTA

Celica (ZZT23_)	1.8 16V TS	11.99 -	141	2ZZ-GE
Corolla (_E12U_, _E12J_)	1.8 VVTL-i TS	01.02 -	141	2ZZ-GE
	1.8 VVTL-i TS	10.05 - 12.06	160	2ZZ-GE
	1.8 VVTL-i TS	02.05 -	165	2ZZ-GE

CL578

DIN Ø5	OEM-No. TOYOTA 19500-74040 19500-74050 90919-02197 90919-02208 VAG J9091902197
--------	---



LEXUS

LS 400 (UCF10)	4.0	12.89 - 12.94	180	1UZ-FE
	4.0	12.94 - 08.97	194	1UZ-FE
	4.0	09.98 -	203	1UZ-FE
	4.0	09.97 -	209	1UZ-FE

TOYOTA

Camry (_CV2_, _XV2_)	2.2	11.00 - 11.01	93	5S-FE
----------------------	-----	---------------	----	-------

CL578

CL578				
TOYOTA				
Celica Cabriolet (_T18_)	2.0 GTi	05.91 - 01.94	115	3S-GE
Celica Coupe (_T18_)	2.0 GTi	10.89 - 01.94	115	3S-GE
	2.0 Turbo 4WD	10.89 - 01.94	150	3S-GTE
	2.0 Turbo 4WD	10.89 - 01.94	153	3S-GTE
MR 2 II (_W2_)	2.0 16V	12.91 - 05.00	115	3S-GE
	2.0 16V	12.91 - 05.00	125	3S-GE
	2.0 16V	12.91 - 05.00	129	3S-GE
4 Runner (_N130)	3.0 V6	08.91 - 11.95	105	3VZ-E
Liteace Bus	1.5	10.85 - 08.89	51	5K
	1.5	07.89 - 01.92	52	5K
Liteace Bus (_R2_LG)	1.5	01.92 - 01.95	52	5K
Liteace Van	1.5	05.86 - 09.91	51	5K
Liteace Van (_R2_V)	1.5	01.92 - 01.95	52	5K
VW				
Taro	2.4 i 4x4	06.89 - 03.97	84	22R

CL579				
				OEM-No.
				TOYOTA 90080-19023
				90919-02243
				90919-02244
1 coil per cylinder				
TOYOTA				
Avensis Verso	2.0 VVT-i	08.01 -	110	1AZ-FE
Camry (_XV3_)	2.4 VVT-i	11.01 -	112	2AZ-FE
Previa (CLR3_, ACR3_)	2.4 16V	08.00 -	115	2AZ-FE
RAV 4 II (XA2)	2.0 VVT-i 4WD	06.00 -	110	1AZ-FE
RAV 4 III	2.0 VVT-i 4WD	03.06 -	112	1AZ-FE

CL580				
				OEM-No.
				TOYOTA 90919-02212
coils and ignitron cables				
TOYOTA				
Land Cruiser 90 (_J9_)	3.4 i 24V	04.96 -	131	5VZ-FE
4 Runner (_N130)	3.4 i 4x4	11.95 - 03.96	136	5VZ-FE

CL581				
				OEM-No.
				TOYOTA 90919-02252
1 coil per cylinder				
TOYOTA				
Auris (_ZE15_, _RE15_)	1.6 VVTi	03.07 -	91	1ZR-FE
	1.6	05.09 -	97	1ZR-FAE
	1.8	02.09 -	108	2ZR-FAE
Avensis Sedan (T27)	1.6	02.09 -	97	1ZR-FAE
	1.8	02.09 -	108	2ZR-FAE
	2.0	02.09 -	112	3ZR-FAE
Avensis St. Wagon (T27)	1.6	02.09 -	97	1ZR-FAE
	1.8	02.09 -	108	2ZR-FAE
	2.0	02.09 -	112	3ZR-FAE
RAV 4 III	2.0	12.08 -	116	3ZR-FAE
	2.0 FWD	12.08 -	116	3ZR-FAE
Verso (_ZGR2_)	1.6	04.09 -	97	1ZR-FAE
	1.8	04.09 -	108	2ZR-FAE
Yaris (_P9_)	1.8 VVTi	01.07 -	98	2ZR-FE

CL582				
				OEM-No.
				MITSUBISHI MD363552
2 coils and ignition lead set T295P				
MITSUBISHI				
Lancer VI (CK/P_A)	2.0 16V EVO IV. VII	08.96 - 08.03	206	4 G 63 Turbo
Lancer Sedan (CS_A)	2.0 16V EVO VIII	03.04 -	195	
	2.0 16V EVO IX	01.06 -	206	4 G 63 Turbo
Outlander I (CU_)	2.0 4WD	05.03 - 10.06	93	4 G 63 (DOHC 16V)
	2.0	05.03 - 10.06	100	4 G 63 (DOHC 16V)
	2.0 4WD	05.03 -	100	4 G 63 (DOHC 16V)
	2.0 Turbo 4WD	04.04 -	148	4 G 63 T (DOHC 16V)
	2.0 4WD	05.03 -	177	

CL583

OEM-No.
HONDA 30520-PGK-A01
30520-PVF-A01



1 coil per cylinder

HONDA

Civic VII Hatchback	1.4 i	02.01 - 09.05	55	D14Z6
	1.4 iS	02.01 - 09.05	66	D14Z5/D14Z6
	1.6 i	02.01 - 09.05	81	D16V1
Civic VII Sedan (ES)	1.4	02.01 - 09.05	66	D14Z5
	1.6	02.01 - 09.05	81	D16V1
Civic VII Coupe (EM2)	1.6 i	02.01 - 12.05	81	D16V1

CL584

OEM-No.
HYUNDAI 27301-2B010
KIA 27301-2B010



1 coil per cylinder

HYUNDAI

i20 (PB, PBT)	1.6	09.08 -	93	G4FC
i30	1.6	10.07 -	85	
	1.6	02.08 -	93	G4FC
i30 CW	1.6	02.08 -	85	
	1.6	02.08 -	90	G4FC
	1.6	02.08 -	93	G4FC

KIA

Carens III (UN)	1.6 CVT	10.10 -	93	G4FC
	1.6 CVT	08.09 -	97	G4FC
Pro Cee'd (ED)	1.6	02.08 -	90	G4FC
	1.6 CVT	10.10 -	92	G4FC
	1.6	02.08 -	93	G4FC
Soul (AM)	1.6 CVT	02.09 -	93	G4FC
Venga (YN)	1.6 CVT	02.10 -	92	G4FC

CL585

OEM-No.
HONDA 30520-PWA-003



1 coil per cylinder

HONDA

Civic VII Sedan (ES)	1.3 IMA	01.04 - 09.05	61	LDA1
Civic VIII Hatchback	1.4	01.06 -	61	L13A7
	1.4	10.08 -	73	L13Z1
Civic VIII Sedan (FD)	1.3 Hybrid	01.06 -	70	LDA2
	1.2	03.02 -	57	L12A1
Jazz II (GD)	1.4	03.02 - 07.08	61	L13A1
	1.2	07.08 -	66	L12B1
Jazz III (GE)	1.4 i	07.08 -	73	L13Z1

CL586

OEM-No.
HONDA 30521-PWA-003



1 coil per cylinder

HONDA

Civic VII Sedan (ES)	1.3 IMA	01.04 - 09.05	61	LDA1
Civic VIII Hatchback	1.4	01.06 -	61	L13A7
	1.4	10.08 -	73	L13Z1
Civic VIII Sedan (FD)	1.3 Hybrid	01.06 -	70	LDA2
Jazz II (GD)	1.2	03.02 -	57	L12A1
	1.4	03.02 - 07.08	61	L13A1
Jazz III (GE)	1.2	07.08 -	66	L12B1
	1.4 i	07.08 -	73	L13Z1

CL587

OEM-No.
DAIHATSU 19070-B1020



1 coil per cylinder

DAIHATSU

Copen	1.3	03.06 -	64	K3-VE
Materia (M4_)	1.3	10.06 -	67	K3-VE
	1.5	10.06 -	76	3SZ-VE
	1.5 Eco 4WD	10.06 -	76	3SZ-VE
Sirion (M3_)	1.3	01.05 -	64	K3-VE
	1.3 4WD	04.05 -	64	K3-VE
Terios (J2_)	1.5	11.05 -	77	3SZ-VE
	1.5 4WD	05.06 -	77	3SZ-VE

CL588

DIN OEM-No.
SUZUKI 33410-57B10
33410-57B10-000
33410-80C10



SUZUKI

Samurai (SJ)	1.3	11.88 -	44	G13A
	1.3	11.88 -	47	G13A
	1.3 Allrad	11.88 -	51	G13BA
	1.3 Allrad	01.00 -	59	
Vitara (ET, TA)	1.6i 16V	07.90 - 03.98	71	G16B
Vitara Cabrio (ET, TA)	1.6i 16V	07.90 - 03.99	71	G16B

CL589

PIN OEM-No.
KIA 0K2A318100A



2 coils and ignition lead set T508B

KIA

Sephia (FA)	1.5i	02.96 -	59	B5
Sephia Sedan (FA)	1.5i	02.96 - 10.97	59	B5

CL589

KIA

Shuma (FB)	1.5i 16V	10.97 - 03.01	65	
Shuma Sedan (FB)	1.5	03.96 - 12.98	59	OK280
	1.5i 16V	10.97 - 10.01	65	

CL590

OEM-No.
HYUNDAI 27301-3E100



1 coil per cylinder

HYUNDAI

Santa Fé I (SM)	2.7	10.05 - 03.06	139	G6EA
	2.7 4x4	10.05 - 03.06	139	G6EA

CL591

SAE OEM-No.
SUBARU 22433-AA41A
22433-AA41B
22433-AA57A



SUBARU

Forester (SF)	2.0	06.98 - 09.02	92	EJ20
Forester (SG)	2.0	09.02 -	92	EJ20
Legacy III (BE, BH)	2.0	04.99 - 08.03	92	EJ20
	2.5	10.98 - 08.03	115	EJ25
Legacy III St. Wagon	2.0	12.98 - 08.03	92	EJ20
	2.5	12.98 - 08.03	115	EJ25
Outback (BE, BH)	2.5	10.00 - 08.03	115	EJ25
Outback (BL, BP)	2.5	11.03 - 09.09	121	EJ25D
	2.5	09.08 - 09.09	127	EJ251

CL592

OEM-No.
NISSAN 22448-8H300
22448-8H310
22448-8H311
22448-8H314
22448-8H315



1 coil per cylinder

CL592


CL592				
NISSAN				
Primera (P12)	2.0	03.02 -	103	QR20DE
Primera Hatchback (P12)	2.0	07.02 -	103	QR20DE
Primera Combi (WP12)	2.0	03.02 -	103	QR20DE
X-Trail (T30)	2.0	07.01 -	103	QR20DE
	2.0 4x4	07.01 -	103	QR20DE
	2.5 4x4	01.03 -	121	QR25DE
X-Trail (T31)	2.5	06.07 -	124	QR25DE

CL593				
				OEM-No.
				HYUNDAI 273013C000 KIA 273013C000
1 coil per cylinder				
HYUNDAI				
Genesis Coupe	3.8 V6	01.08 -	223	G6DA
Grandeur (TG)	3.3	04.05 -	173	G6DB
Santa Fé II (CM)	2.4	11.10 -	128	G4KE
Sonata V (NF)	2.4	01.05 -	119	G4KC
	3.3	01.05 -	171	G6DB
	3.3	06.05 -	173	G6DB
	3.3	01.08 -	184	G6DB
KIA				
Carens III (UN)	2.0 CVVT	09.06 -	106	G4KA
Sorento (JC)	3.3 V6	12.06 -	177	
	3.3 V6	11.07 -	182	G6DB
Sorento (XM)	2.4 CVVT	11.09 -	128	G4KE
	2.4 CVVT 4WD	11.09 -	128	G4KE

CL594				
				OEM-No.
				MAZDA ZL01-18-100 ZL01-18-100A ZL01-18-100B
2 coils and ignition lead set T247P				
MAZDA				
323 F VI (BJ)	1.5 16V	09.98 - 01.01	65	
	1.6	01.01 - 05.04	70	ZM
	1.6	01.01 - 05.04	72	ZM
323 S VI (BJ)	1.5 16V	09.98 - 01.01	65	
	1.6	01.01 - 05.04	70	ZM
	1.6	01.01 - 05.04	72	ZM

CL595				
				OEM-No.
				HYUNDAI 27301-26640 KIA 27301-26640
1 coil per cylinder				
HYUNDAI				
Accent II (LC)	1.6	12.02 -	77	G4ED-G
Accent Sedan (LC)	1.6	12.02 - 11.05	77	G4ED-G
Accent III (MC)	1.4 GL	11.05 -	71	G4EE
	1.6 GLS	11.05 -	82	G4ED
Accent Sedan (MC)	1.4 GL	11.05 -	71	G4EE
	1.6 GLS	11.05 -	82	G4ED
KIA				
Rio II (JB)	1.4 16V	03.05 -	71	G4EE
	1.6 CVVT	03.05 -	82	G4ED
Rio II Sedan (JB)	1.4 16V	03.05 -	71	G4EE
	1.6 16V	03.05 -	82	G4ED

CL596				
				OEM-No.
				HONDA 30520-RNA-A01
1 coil per cylinder				
HONDA				
Accord IX (CU)	2.0i	07.08 -	115	R20A3
Accord IX Combi	2.0i	07.08 -	115	R20A3
Civic VII Sedan (ES)	1.8	09.05 - 09.05	103	R18A1
Civic VIII Hatchback	1.8	01.06 -	103	R18A2
FR-V (BE)	1.8	01.07 -	103	R18A1

CL597				
				OEM-No.
				MITSUBISHI MN195616
1 coil per cylinder				
MITSUBISHI				
Colt VI (Z_)	1.1	10.04 -	55	3A91
	1.3	06.04 -	70	4A90

CL597				
MITSUBISHI				
Colt VI (Z_)	1.5	06.04 -	80	4A91
Colt VII (Z2_CZ_)	1.1	09.08 -	55	3A91
	1.3	09.08 -	70	4A90
	1.5	09.08 -	80	4A91
Colt CZC Cabriolet (RG)	1.5	05.06 -	80	4A91

CL598		OEM-No.
DIN Ø5		MITSUBISHI MD314583



MITSUBISHI				
Pajero II (V__W)	3.0V6 24V	06.97 - 04.00	130	6G72 (DOHC 24V)
	3.0V6 24V	06.94 - 05.97	133	6G72 (DOHC 24V)
	3.5V6 24V	07.97 - 04.00	143	6G74 (24V DOHC/SOHC)
	3.5V6 24V	06.94 - 04.00	153	6G74 (DOHC 24V)
Pajero II Canvas Top	3.0V6 24V	06.94 - 04.00	133	6G72 (DOHC 24V)
Pajero Sport (K90)	3.0V6	06.00 -	125	6G72 (DOHC 24V)
	3.0V6	11.98 -	130	6G72 (24V DOHC/SOHC)

CL599		OEM-No.
		MAZDA L3G-18-100A
		L3G-18-100A9U



1 coil per cylinder

MAZDA				
3 (BK)	2.3 MPS	12.06 -	191	L3-VDT/L3N9
6 (GH)	2.0 MZR	08.07 -	108	LF17
	2.5 MZR	08.07 -	125	L5-VE
6 CC (GH)	2.0 MZR	08.07 -	108	LF17
	2.5 MZR	08.07 -	125	L5-VE
6 Combi (GH)	2.0 MZR	02.08 -	108	LF17
	2.5 MZR	02.08 -	125	L5-VE
6 Station Wagon (GY)	2.0	03.05 -	108	LFF7
CX-7 (ER)	2.3 MZR DISI Tur.	10.07 -	190	L3-VDT
MX-5 III (NC)	2.0	03.05 -	118	LF62/LF-DE

CL600			
OEM-No.			
BMW 1404309	BMW 12 13 1 404 309	LANDROVER NEC000040	
1703227	12 13 1 703 227	NEC101000L	
1703825	12 13 1 703 228	ROVER GCL 307	
1748017	12 13 1 703 825	NEC000040	
1748018	12 13 1 748 017	NEC101000	
	12 13 1 748 018	NEC101000L	
		NEC101010	



1 coil per cylinder

BMW				
320 i Coupe (E36)	2.0	03.92 - 04.99	110	M52 ... / M50 ...
320 i Touring (E36)	2.0	01.95 - 10.99	110	M52 ... / M50 ...
323 i (E36)	2.5	03.95 - 02.98	125	M52 B25 (Vanos)
323 i Cabriolet (E36)	2.5	06.95 - 04.99	125	M52 B25 (Vanos)
323 i Coupe (E36)	2.5	03.95 - 04.99	125	M52 B25 (Vanos)
323 i Touring (E36)	2.5	09.95 - 10.99	125	M52 B25 (Vanos)
323 ti Compact (E36)	2.5	08.97 - 08.00	125	M52 B25 (Vanos)
328 i (E36)	2.8	01.95 - 02.98	142	M52 B28/M52 B28 TU
328 i Cabriolet (E36)	2.8	03.95 - 04.99	142	M52 B28/M52 B28 TU
328 i Coupe (E36)	2.8	01.95 - 04.99	142	M52 B28/M52 B28 TU
328 i Touring (E36)	2.8	01.95 - 10.99	142	M52 B28/M52 B28 TU
M3 (E36)	3.2	09.95 - 02.98	236	S50 B32
M3 Cabriolet (E36)	3.2	10.95 - 04.99	236	S50 B32
M3 Coupe (E36)	3.2	10.95 - 04.99	236	S50 B32
320 i (E46)	2.0	03.98 - 09.00	110	M52 B Vanos / M52 B20
	2.2	09.00 - 09.02	125	M54 226 S1/M54 B22
320 i Touring (E46)	2.0	10.99 - 09.00	110	M52 B Vanos / M52 B20
	2.2	09.00 - 09.02	125	M54 226 S1/M54 B22
320 Ci Cabriolet (E46)	2.2	09.00 - 09.02	125	M54 226 S1/M54 B22
320 Ci Coupe (E46)	2.0	08.99 - 09.00	110	M52 B(20 6 S4)/M52 B20
	2.2	09.00 - 09.02	125	M54 226 S1/M54 B22
323 i (E46)	2.5	03.98 - 09.00	125	M52 B25 TU/M52 B25
323 Ci Cabriolet (E46)	2.5	04.00 - 09.00	125	M52 B25 (Vanos)
323 Ci Coupe (E46)	2.5	04.99 - 09.00	125	M52 B25 (Vanos)
325 i (E46)	2.5	09.00 - 09.02	141	M54 256 S5/M54 B25
325 i Touring (E46)	2.5	09.00 - 09.02	141	M54 256 S5/M54 B25
325 Ci Cabriolet (E46)	2.5	09.00 - 09.02	141	M54 256 S5
325 Ci Coupe (E46)	2.5	09.00 - 09.02	141	M54 256 S5
325 ti Compact (E46)	2.5	06.01 - 09.02	141	M54 256 S5/M54 B25
325 xi (E46)	2.5	09.00 - 09.02	141	M54 256 S5
325 xi Touring (E46)	2.5	09.00 - 09.02	141	M54 256 S5
328 i (E46)	2.8	02.98 - 06.00	142	M52 B28
328 i Touring (E46)	2.8	10.99 - 06.00	142	M52 B28
328 Ci Coupe (E46)	2.8	04.99 - 06.00	142	M52 B28
330 i (E46)	3.0	06.00 - 09.02	170	M54 B30 / M54 306 S3
330 i Touring (E46)	3.0	06.00 - 09.02	170	M54 B30 / M54 306 S3
330 Ci Cabriolet (E46)	3.0	06.00 - 09.02	170	M54 306 S3
330 Ci Coupe (E46)	3.0	06.00 - 09.02	170	M54 306 S3
330 xi (E46)	3.0	06.00 - 09.02	170	M54 306 S3
330 xi Coupe (E46)	3.0	06.00 - 09.02	170	M54 306 S3

CL600



CL600				
BMW				
330 xi Touring (E46)	3.0	06.00 - 09.02	170	M54 306 S3
520 i (E39)	2.0	04.99 - 06.03	100	M52 B(20 6 S3) Vanos
	2.0	01.96 - 09.00	110	M52 B ...
	2.0	09.00 - 06.03	125	M54 B22
523 i (E39)	2.5	11.95 - 09.00	125	M52 B25 TU/M52 B25
525 i (E39)	2.5	09.00 - 06.03	141	M54 256 S5/M54 B25
528 i (E39)	2.8	11.95 - 09.00	142	M52 B28/M52 B28 TU
530 i (E39)	3.0	09.00 - 09.02	170	M54 B30 /M54 306 S3
535 i (E39)	3.5	04.96 - 03.99	173	M62 B(35 8 S1)/M62 B35
535 i (E39)	3.5	04.99 - 06.03	180	M62 B... /M62 B35 TU
540 i (E39)	4.4	04.96 - 06.03	210	M62 ...
M5 (E39)	5.0	10.98 - 06.03	294	S62 B50/S38 B49
	2.0	04.99 - 05.04	100	M52 B(20 6 S3) Vanos
	2.0	01.97 - 09.00	110	M52 B ...
520 i Touring (E39)	2.0	09.00 - 09.02	125	M54 B22
	2.5	01.97 - 09.00	125	M52 B25 TU/M52 B25
	2.5	09.00 - 09.02	141	M54 256 S5/M54 B25
528 i Touring (E39)	2.8	01.97 - 09.00	142	M52 B28/M52 B28 TU
530 i Touring (E39)	3.0	09.00 - 09.02	170	M54 B30 /M54 306 S3
540 i Touring (E39)	4.4	01.97 - 05.04	210	M62 ...
728 i,iL (E38)	2.8	08.95 - 11.01	142	M52 B28/M52 B28 TU
735 i,iL (E38)	3.5	01.96 - 11.01	173	M62 B(35 8 S1)/M62 B35
740 i,iL (E38)	4.4	01.96 - 11.01	210	M62 ...
750 i,iL (E38)	5.4	12.94 - 11.01	240	M73 B54
840 Ci (E31)	4.4	01.96 - 12.99	210	M62 B44/M62 B44 TU
850 Ci (E31)	5.4	09.94 - 12.99	240	M73 B54
X5 (E53)	3.0 i	05.00 - 10.02	163	M54 306 S3
	3.0 i	05.00 -	170	M54 B30 /M54 306 S3
	4.4 i	05.00 -	210	M62 B44/M62 B44 TU
	4.6 is	02.02 -	255	M67 468 S1/M62 B46
	Z3 (E36)	2.0	04.99 - 01.03	110
2.2		08.00 - 01.03	125	M54 226 S1/M54 B22
2.8		04.97 - 06.00	141	M52 B28/M52 B28 TU
3.0		06.00 - 01.03	170	M54 B30 /M54 306 S3
3.2 M		03.97 - 06.01	236	S50 B32
Z3 Coupe (E36)		2.8	07.97 - 06.00	141
	3.0	06.00 - 06.03	170	M54 306 S3
	3.2 M	02.98 - 06.01	236	S50 B32
Z8 (E52)	4.9	06.00 - 06.03	294	S62 B50/S38 B49
LANDROVER				
Range Rover III (LM)	4.4	03.02 -	210	
ROVER				
45 Sedan (RT)	2.0 V6	02.00 -	110	20 K4F
75 (RJ)	2.0 V6	02.99 -	110	20 K4F
	2.5 V6	02.99 - 10.01	129	KV 6
75 Tourer (RJ)	2.5 V6	08.01 -	130	KV 6

CL601			
OEM-No.			
BMW 1720166	12 13 1 317 232	12 13 1 729 842	
1726176	12 13 1 402 440	12 13 1 730 765	
1726177	12 13 1 402 713	12 13 1 730 766	
1726178	12 13 1 404 102	12 13 1 731 134	
1726178B	12 13 1 703 359	12 13 1 731 884	
1730765	12 13 1 720 166	12 13 1 734 468	
1731134	12 13 1 726 176	12 13 1 748 394	
1731178B	12 13 1 726 177	12 13 1 748 395	
1748394	12 13 1 726 178	12 13 1 777 666	
1777666	12 13 1 727 108	12 13 7 703 359	
		12 13 9 066 468	



1 coil per cylinder

BMW				
318 is (E30)	1.8	09.89 - 08.91	100	M42 B18
	1.8	03.93 - 09.93	103	M42 B18
320 i (E36)	2.0	09.90 - 02.98	110	M52 B... / M50 B ...
320 i Cabriolet (E36)	2.0	12.93 - 04.99	110	M52 B... / M50 B ...
325 i (E36)	2.5	09.90 - 09.95	141	M52 B... / M50 B ...
325 i Cabriolet (E36)	2.5	03.93 - 03.95	141	M50 B25/M50 B25 TU
325 i Coupe (E36)	2.5	03.92 - 04.99	141	M50 B ...
M3 (E36)	3.0	08.94 - 09.95	210	S50 B30
M3 Cabriolet (E36)	3.0	01.94 - 10.95	210	S50 B30
M3 Coupe (E36)	3.0	10.92 - 01.95	210	S50 B30
	3.0	01.95 - 10.95	217	S50 B30
520 i (E34)	2.0 24V	09.89 - 09.95	110	M50 B ...
525 i (E34)	2.5 24V	09.89 - 09.95	141	M52 B... / M50 B ...
525 iX (E34)	2.5 24V	10.91 - 09.95	141	M52 B25 (Vanos)
530 i (E34)	3.0 V8	09.92 - 09.95	160	M60 B30
540 i (E34)	4.0 V8	09.92 - 09.95	210	M60 B40
520 i Touring (E34)	2.0	11.91 - 01.97	110	M52 B... / M50 B ...
525 i Touring (E34)	2.5	11.91 - 01.97	141	M50 B25/M50 B25 TU
525 iX Touring (E34)	2.5	02.92 - 01.97	141	M50 B25/M52 B25 (Vanos)
530 i Touring (E34)	3.0 V8	09.92 - 01.97	160	M60 B30
540 i Touring (E34)	4.0	09.93 - 01.97	210	M60 B40
730 i,iL (E32)	3.0 V8	04.92 - 09.94	160	M60 B30
740 i,iL (E32)	4.0 V8	04.92 - 09.94	210	M60 B40
730 i,iL (E38)	3.0	10.94 - 11.01	155	M60 B30
730 i,iL (E38)	3.0	10.94 - 11.01	160	M60 B30
740 i,iL (E38)	4.0	10.94 - 11.01	210	M60 B40
840 i (E31)	4.0	02.93 - 02.96	210	M60 B40

CL602

OEM-No.

BMW 12 13 1 712 219
12 13 1 712 223
12 13 7 551 260



1 coil per cylinder


BMW

116 i (E81, E87)	1.6	09.04 -	85	N45 B... / N43 B...
118 i (E81, E87)	2.0	09.04 -	95	N46 B20/N42 B20 B
120 i (E81, E87)	2.0	09.04 -	110	N42 B20 A/N46 B20
	2.0	03.07 -	115	N43 B20 A
316 i (E46)	1.6	06.02 - 02.05	85	N45 B16/N45 B16 A
	1.8	02.02 - 02.05	85	N46 B18/-A /N42 B18
318 i (E46)	2.0	09.01 - 02.05	105	N42 B20/N46 B20 / -A
320 i (E46)	2.2	10.02 - 02.05	125	M54 226 S1/M54 B22
325 i (E46)	2.5	10.02 - 02.05	141	M54 256 S5/M54 B25
325 xi (E46)	2.5	10.02 - 02.05	141	M54 256 S5
330 i (E46)	3.0	10.02 - 02.05	170	M54 B30 /M54 306 S3
330 xi (E46)	3.0	10.02 - 02.05	170	M54 306 S3
316 ti Compact (E46)	1.6	06.02 - 02.05	85	N45 B16 A/N40 B16 A
	1.8	06.01 - 02.05	85	N46 B18 A/N42 B18
318 ti Compact (E46)	2.0	09.01 - 02.05	105	N42 B20/N46 B20 A
325 ti Compact (E46)	2.5	10.02 - 12.04	141	M54 256 S5/M54 B25
318 Ci Cabriolet (E46)	2.0	09.01 -	105	N42 B20/N46 B20
	2.0	02.05 -	110	N46 B20 B
320 Ci Cabriolet (E46)	2.2	10.02 -	125	M54 226 S1/M54 B22
325 Ci Cabriolet (E46)	2.5	10.02 -	141	M54 256 S5
330 Ci Cabriolet (E46)	3.0	10.02 -	170	M54 306 S3
316 Ci Coupe (E46)	1.6	06.02 -	85	N45 B16 A
318 Ci Coupe (E46)	2.0	09.01 -	105	N42 B20/N46 B20
	2.0	03.05 -	110	N46 B20 A
320 Ci Coupe (E46)	2.2	10.02 -	125	M54 226 S1/M54 B22
325 Ci Coupe (E46)	2.5	10.02 -	141	M54 256 S5
330 Ci Coupe (E46)	3.0	09.02 -	170	M54 306 S3
330 xi Coupe (E46)	3.0	10.02 -	170	M54 306 S3
316 i Touring (E46)	1.6	06.02 - 02.05	85	N45 B16/N45 B16 A
	1.8	03.02 - 02.05	85	N46 B18/- A/N42 B18
318 i Touring (E46)	2.0	09.01 - 02.05	105	N42 B20/N46 B20/ -A
320 i Touring (E46)	2.2	10.02 - 02.05	125	M54 226 S1/M54 B22
325 i Touring (E46)	2.5	10.02 - 02.05	141	M54 256 S5/M54 B25
325 xi Touring (E46)	2.5	10.02 - 02.05	141	M54 256 S5
330 i Touring (E46)	3.0	10.02 - 02.05	170	M54 B30 /M54 306 S3
330 xi Touring (E46)	3.0	10.02 - 02.05	170	M54 306 S3
M3 Cabriolet (E46)	3.2	04.01 -	252	S54 326 S4/S54 B32
M3 Coupe (E46)	3.2	06.00 -	252	S54 326 S4/S54 B32
M3 CSL Coupe (E46)	3.2	06.03 -	265	S54N 326 S4/S54 B32
316 i (E90)	1.6	02.06 -	85	N45 B16/- TU2/N45 B16 A
318 i (E90)	2.0	09.05 - 03.07	95	N46 B20 B/N46 B20
320 i (E90)	2.0	01.05 - 03.07	110	N46 B20/- A/N46 B20 C
320 si (E90)	2.0	05.06 -	127	N45 B20 A
318 i Touring (E91)	2.0	01.06 -	95	N46 B20 B/N46 B20
320 i Touring (E91)	2.0	09.05 -	110	N46 B20/- A/N46 B20 C
320 i Coupe (E92)	2.0	11.06 - 06.07	110	N46 B20 A/N46N B20 B

CL602

BMW


520 i (E39)	2.0	10.02 - 06.03	125	M54 B22
525 i (E39)	2.5	10.02 - 06.03	141	M54 256 S5/M54 B25
530 i (E39)	3.0	10.02 - 06.03	170	M54 B30 /M54 306 S3
520 i (E60)	2.2	07.03 -	125	M54 226 S1/M54 B22
525 i (E60)	2.5	09.03 -	141	M54 256 S5/M54 B25
530 i (E60)	3.0	07.03 -	170	M54 B30 /M54 306 S3
540 i (E60)	4.0	07.05 -	225	N62 B40 A
545 i (E60)	4.4	09.03 -	245	N62 B44
550 i (E60)	4.8	07.05 -	270	N62 B48 B
520 i Touring (E39)	2.2	10.02 - 05.04	125	M54 B22
525 i Touring (E39)	2.5	10.02 - 05.04	141	M54 256 S5/M54 B25
530 i Touring (E39)	3.0	10.02 - 05.04	170	M54 B30 /M54 306 S3
520 i Touring (E61)	2.2	06.04 -	125	M54 226 S1
525 i Touring (E61)	2.5	06.04 -	141	M54 256 S5/M54 B25
530 i Touring (E61)	3.0	06.04 -	170	M54 B30 /M54 306 S3
545 i Touring (E61)	4.4	06.04 -	245	N62 B44
550 i Touring (E61)	4.8	07.05 -	270	N62 B48 A/N62 B48 B
645 Ci (E63)	4.4	01.04 -	245	N62 B44/N62 B44 A
645 Ci Cabriolet (E64)	4.4	04.04 -	245	N62 B44/N62 B44 A
650 i (E63)	4.8	07.05 -	270	N62 B48 B
650 i Cabriolet (E64)	4.8	07.05 -	270	N62 B48 B
730 i, Li (E65, E66)	3.0	03.03 -	170	M54 B30 /M54 306 S3
735 i, Li (E65, E66)	3.6	11.01 -	200	N62 B36
740 i, Li (E65, E66)	4.0	07.05 -	225	N62 B40 A
745 i, Li (E65, E66)	4.4	11.01 -	245	N62 B44/N62 B44 A
750 i, Li (E65, E66)	4.8	07.05 -	270	N62 B48 B
760 i, Li (E65, E66)	6.0	01.03 -	327	N73 B60
X1 sDrive18i (E84)	2.0	01.10 -	110	N46 B20 B
X3 (E83)	2.0 i	07.05 -	110	N46 B20 A/N46 B20
	2.5 i	01.04 -	141	M54 256 S5/M54 B25
	3.0 i	01.04 -	170	M54 B30 /M54 306 S3
X3 xDrive20i (E83)	2.0	09.08 -	110	N46 B20 B
X5 (E53)	3.0 i	11.02 -	163	M54 306 S3
	4.4 i	12.03 -	235	N62 B44/N62 B44 A
	4.8 is	04.04 -	265	N62 B48 A
	4.8 i	02.07 - 09.08	261	N62 B48 B
X5 xDrive48i (E70)	4.8	09.08 -	261	N62 B48 B
Z3 (E36)	3.2 M	06.01 - 01.03	239	S54 B32/S54 B32 (32.6 S4)
Z3 Coupe (E36)	3.2 M	06.01 - 06.03	239	S54 326 S4/S54 B32
Z4 (E85)	2.0 i	04.05 -	110	N46 B20 A/N46 B20
	2.2 i	10.03 -	125	M54 226 S1/M54 B22
	2.5 i	02.03 -	141	M54 256 S5/M54 B25
	3.0 i	02.03 -	170	M54 B30 /M54 306 S3
	3.2 M	03.06 -	252	S54 326 S4/S54 B32
Z4 Coupe (E86)	3.2 M	03.06 -	252	S54 326 S4/S54 B32

CL603					
OEM-No.					
					BMW 12 13 7 562 744
					12 13 7 571 643
					PSA 5970 64
					V7 562 744
					V7 571 64380
1 coil per cylinder					
BMW					
125 i Cabriolet (E88)	3.0	03.08 -	160	N52 B30 A	
125 i Coupe (E82)	3.0	10.07 -	160	N53 B30 A	
130 i (E81, E87)	3.0	03.05 -	190	N52 B30 A	
	3.0	09.05 -	195	N52 B30 A/N52 B30	
135 i Cabriolet (E88)	3.0	03.08 -	225	N55 B30 A/N54 B30 A	
135 i Coupe (E82)	3.0	10.07 -	225	N55 B30 A/N54 B30 A	
325 i (E90)	2.5	01.05 -	160	N52 B25/N52 B25 A	
325 xi (E90)	2.5	01.05 -	160	N52 B25 A	
330 i (E90)	3.0	01.05 -	190	N52 B30 A/N52 B30	
335 i (E90)	3.0	09.06 -	225	N55 B30 A/N54 B30 A	
335 xi (E90)	3.0	09.07 -	225	N55 B30 A/N54 B30 A	
335 i xDrive (E90)	3.0	09.08 -	225	N55 B30 A/N54 B30 A	
325 i Touring (E91)	2.5	09.05 -	160	N52 B25/-C/N52 B25 A	
325 xi Touring (E91)	2.5	09.05 -	160	N52 B25 C	
330 i Touring (E91)	3.0	09.05 -	190	N52 B30 A/N52 B30	
335 i Touring (E91)	3.0	09.06 -	225	N55 B30 A/N54 B30 A	
335 xi Touring (E91)	3.0	09.07 -	225	N55 B30 A/N54 B30 A	
335 i xDrive Touring (E91)	3.0	09.08 -	225	N55 B30 A/N54 B30 A	
325 i Coupe (E92)	2.5	09.06 -	160	N52 B25/-C/N52 B25 A	
325 xi Coupe (E92)	2.5	09.06 -	160	N52 B25 C/N52 B25 A	
330 i Coupe (E92)	3.0	09.06 -	200	N53 B30/N53 B30 A	
335 i Coupe (E92)	3.0	09.06 -	225	N55 B30 A/N54 B30 A	
335 xi Coupe (E92)	3.0	09.06 -	225	N55 B30 A/N54 B30 A	
335 i xDrive Coupe (E92)	3.0	09.08 -	225	N55 B30 A/N54 B30 A	
325 i Cabriolet (E93)	2.5	03.07 -	160	N52 B25/N52 B25 A	
335 i Cabriolet (E93)	3.0	03.07 -	225	N54 B30 B/- A/N54 B30 A	
523 i (E60)	2.5	07.05 -	130	N52 B25/N52 B25 A	
525 i (E60)	2.5	07.05 -	160	N52 B25/N52 B25 A	
530 i (E60)	3.0	07.05 -	190	N52 B30 A/N52 B30	
530 xi (E60)	3.0	07.05 -	190	N52 B30 A	
523 i Touring (E61)	2.5	07.05 -	130	N52 B25/N52 B25 A	
525 i Touring (E61)	2.5	07.05 -	160	N52 B25/N52 B25 A	
530 i Touring (E61)	3.0	07.05 -	190	N52 B30 A/N52 B30	
530 xi Touring (E61)	3.0	07.05 -	190	N52 B30 A	
550 i (F10)	4.4	03.10 -	300	N63 B44 A	
550 i xDrive (F10)	4.4	09.10 -	300	N63 B44 A	
550 i Gran Turismo (F07)	4.4	10.09 -	300	N63 B44 A	
550 i xDrive Gran Turismo	4.4	09.10 -	300	N63 B44 A	
630 i (E63)	3.0	09.04 -	190	N52 B30 A/N52 B30	
630 i Cabriolet (E64)	3.0	09.04 -	190	N52 B30 A/N52 B30	
650 i Cabriolet (F12)	4.4	03.11 -	300	N63 B44 A	
730 i, Li (E65, E66)	3.0	03.05 -	190	N52 B30 A/N52 B30	
740 i (F01, F02, F03, F04)	3.0	10.08 -	240	N54 B30 A	
750 i (F01, F02, F03, F04)	4.4	10.08 -	300	N63 B44 A	
750 i xDrive (F0__)	4.4	09.09 -	300	N63 B44 A	
760 i (F01, F02, F03, F04)	6.0	09.09 -	400	N74 B60 A	

CL603				
BMW				
7 ActiveHybrid	4.4	10.10 -	342	N63 B44 A
X1 xDrive25i (E84)	3.0	01.10 -	160	N52 B30 A
X1 xDrive28i (E84)	3.0	10.09 -	190	N52 B30 A
X3 (E83)	2.5 si	09.06 -	160	N52 B25 A
	3.0 si	09.06 -	200	N52 B30 A
X3 xDrive25i (E83)	2.5	09.08 -	160	N52 B25 A
X3 xDrive28i (F25)	3.0	04.11 -	190	N52 B30 A
X3 xDrive30i (E83)	3.0	09.08 -	200	N52 B30 A
X5 (E70)	3.0 si	02.07 - 09.08	200	N52 B30 A/N52 B30
	4.4 M	09.09 -	408	S63 B44 A
X5 xDrive30i (E70)	3.0	09.08 -	200	N52 B30 A
X5 xDrive50i (E70)	4.4	06.10 -	300	N63 B44 A
X6 (E71, E72)	4.4 M	09.09 -	408	S63 B44 A
X6 35i (E71, E72)	3.0	05.08 -	225	N54 B30 A
X6 50i (E71, E72)	4.4	05.08 -	300	N63 B44 A
X6 xDrive35i (E71, E72)	3.0	09.08 -	225	N54 B30 A
X6 xDrive50i (E71, E72)	4.4	09.08 -	300	N63 B44 A
X6 ActiveHybrid	4.4	10.10 -	357	N63 B44 A
Z4 (E85)	2.5 i	01.06 -	130	N52 B25 A
	2.5 si	01.06 -	160	N52 B25 A
	3.0 si	01.06 -	195	N52 B30 A/N52 B30
Z4 Coupe (E86)	3.0 si	03.06 -	195	N52 B30 A/N52 B30
Z4 sDrive23i (E89)	2.5	05.09 -	150	N52 B25 A
Z4 sDrive30i (E89)	3.0	05.09 -	190	N52 B30 A
Z4 sDrive35i (E89)	3.0	05.09 -	225	N54 B30 A
Z4 sDrive35is (E89)	3.0	09.10 -	250	N54 B30 A
CITROEN				
Berlingo	1.6 VTi 95	07.10 -	72	5FK (EP6 CB)
	1.6 VTi 120	11.09 -	88	5FS (EP6C)
Berlingo Van	1.6 VTi 95	07.10 -	72	5FK (EP6 CB)
C3 Picasso	1.4 VTi 95	02.09 -	70	8FS (EP3)
	1.6 VTi 120	02.09 -	88	5FS (EP6C)/5FW (EP6)
C3 II	1.4 VTi 95	11.09 -	70	
	1.6 VTi 120	11.09 -	88	5FS (EP6C)
C4 (LC_)	1.6 VTi 120	07.08 -	88	5FW (EP6)
	1.6 THP 140	07.08 -	103	5FT (EP6DT)
	1.6 THP 150	07.08 -	110	5FX (EP6DT)
C4 (B7)	1.4 VTi 95	11.09 -	70	8FP (EP3)
	1.6 VTi 120	11.09 -	88	5FS (EP6C)
	1.6 THP 155	11.09 -	115	5FV (EP6DT/-CDT)
C4 Coupe (LA_)	1.6 VTi 120	07.08 -	88	5FW (EP6)
	1.6 THP 150	07.08 -	110	5FX (EP6DT)
C4 Picasso (UD_)	1.6 VTi 120	07.08 -	88	5FW (EP6)
	1.6 THP 140	07.08 -	103	5FT (EP6DT)
	1.6 16V	07.08 -	110	5FX (EP6DT)
	1.6 THP 155	09.10 -	115	
C4 Grand Picasso (UA_)	1.6 VTi 120	07.08 -	88	5FW (EP6)
	1.6 16V	07.08 -	103	5FT (EP6DT)
	1.6 16V	10.08 -	110	5FX (EP6DT)
	1.6 THP 155	09.10 -	115	
C5 (RD_)	1.6 VTi 120	07.10 -	88	5FS (EP6C)
	1.6 THP 155	04.09 -	115	5FV (EP6DT)
C5 Break (TD_)	1.6 VTi 120	07.10 -	88	5FS (EP6C)
	1.6 THP 155	04.09 -	115	5FV (EP6DT)
DS3	1.4 VTi 95	04.10 -	70	8FP (EP3)
	1.6 VTi 120	04.10 -	88	5FS (EP6C)
	1.6 THP 150	04.10 -	115	5FR (EP6DT)
DS4	1.6 VTi 120	04.11 -	88	5FS (EP6C)
MINI				
Mini One (R56)	1.4	03.09 -	55	N12B14A

CL603				
MINI				
Mini One (R56)	1.4	03.07 -	70	N12B14A
	1.6	03.10 -	55	
	1.6	03.10 -	72	
Mini Cooper (R56)	1.6	10.06 -	88	N12B16A
	1.6	03.10 -	90	N16 B16 A
Mini John Cooper Works	1.6	03.08 -	155	N14 B16 C
	1.6	07.07 -	160	
Mini Clubman One (R55)	1.6	03.10 -	72	
Mini Clubman Cooper	1.6	10.07 -	88	N12B16A
	1.6	03.10 -	90	N16 B16 A
Mini Clubman Cooper S	1.6	10.07 -	128	N14 B16 A
Mini Clubman JCW (R55)	1.6	03.08 -	155	N14 B16 C
Mini Cabriolet One (R57)	1.6	03.10 -	72	
Mini Cabriolet Cooper (R57)	1.6	03.09 -	88	N12B16A
	1.6	03.10 -	90	N16 B16 A
Mini Cabriolet Cooper S	1.6	03.09 -	128	N14 B16 A
Mini Cabriolet JCW (R57)	1.6	03.08 -	155	N14 B16 C
Mini Countryman One	1.6	06.10 -	72	
Mini Countryman Cooper	1.6	06.10 -	90	N16 B16 A

PEUGEOT				
207 (WA_, WC_)	1.4 16V	06.07 -	70	EP3
	1.6 16V VTi	02.07 -	88	5FS (EP6C)/EP6
	1.6 16V Turbo	10.09 -	115	5FR (EP6DT)
207 CC (WD_)	1.6 16V	02.07 -	88	EP6
	1.6 16V Turbo	10.09 -	115	5FR (EP6DT)
207 SW (WK_)	1.4 16V	06.07 -	70	EP3
	1.6 16V	06.07 -	88	EP6
308 (4A_, 4C_)	1.4 16V	09.07 -	70	EP3
	1.4 16V	12.09 -	72	
	1.6 16V	09.07 -	88	EP6
	1.6 16V	09.07 -	103	5FT (EP6DT)
	1.6 16V	10.09 -	115	EP6CDT
308 CC	1.6 16V	06.09 -	88	EP6
308 SW	1.4 16V	09.07 -	70	8FS (EP3)
	1.4 16V	12.09 -	72	
	1.6 16V	09.07 -	88	EP6
508	1.6 VTi	11.10 -	88	5FS (EP6C)
	1.6 THP	11.10 -	115	EP6CDT
508 SW	1.6 VTi	11.10 -	88	5FS (EP6C)
	1.6 THP	11.10 -	115	EP6CDT
3008	1.6 VTi	06.09 -	88	5FS (EP6C)/EP6
5008	1.6 16V	09.09 -	88	5FS (EP6C)/EP6

CL604					
PIN	OEM-No.				
	MERCEDES 000 150 02 80				
	000 158 70 03				
	000 158 71 03				
	000 158 75 03				
	A0001500280				
	A0001587003				
	SSANG YONG 0001587503				
	2 (3) coils and ignition lead set T743C/T982C (T623C/T624C)				
	MERCEDES				
	280 E (W124)	2.8	10.92 - 06.93	145	M 104.942

CL604				
MERCEDES				
280 TE (S124)	2.8	10.92 - 06.93	145	M 104.942
320 CE (C124) Coupe	3.2	10.92 - 05.93	162	M 104.992
320 E (W124)	3.2	10.92 - 06.93	162	M 104.992
320 TE (S124)	3.2	10.92 - 06.93	162	M 104.992
C 180 (W202)	1.8	11.94 - 05.00	89	M 111.921
	1.8	03.93 - 05.00	90	M 111.921/M 111.920
C 180 T (S202)	1.8	06.96 - 09.00	90	M 111.921/M 111.920
C 200 (W202)	2.0	01.94 - 05.00	100	M 111.945/M 111.941
C 200 Kompr. (W202)	2.0	10.95 - 05.00	132	M 111.944
	2.0	11.96 - 05.00	141	M 111.944
C 200 T (S202)	2.0	06.96 - 03.01	100	M 111.945/M 111.941
C 200 T Kompr. (S202)	2.0	11.96 - 03.01	141	M 111.944
C 230 (W202)	2.3	06.96 - 06.97	110	M 111.974
C 230 Kompr. (W202)	2.3	10.95 - 05.00	142	M 111.975
C 230 T (S202)	2.3	06.96 - 06.98	110	M 111.974
C 230 T Kompr. (S202)	2.3	06.97 - 09.00	142	M 111.975
C 280 (W202)	2.8	05.93 - 05.00	142	M 104.941
CLK 200 Cabriolet (A208)	2.0	03.98 - 03.02	100	M 111.945/M 111.941
CLK 200 (C208)	2.0	06.97 - 06.02	100	M 111.945/M 111.941
CLK 200 Kompr. (C208)	2.0	06.97 - 06.00	141	M 111.944
CLK 200 Kompr. Cabriolet	2.0	03.98 - 06.00	141	M 111.944
CLK 230 Kompr. (C208)	2.3	06.97 - 06.00	142	M 111.975/M 111.973
CLK 230 Kompr. Cabriolet	2.3	03.98 - 06.00	142	M 111.975/M 111.973
E 200 (W210)	2.0	06.95 - 08.00	100	M 111.942
E 200 T (S210)	2.0	06.96 - 08.00	100	M 111.942
E 230 (W210)	2.3	06.95 - 06.97	110	M 111.970
E 230 T (S210)	2.3	06.96 - 06.97	110	M 111.970
E 280 (W124)	2.8	06.93 - 06.95	145	M 104.942
E 280 (W210)	2.8	01.96 - 06.97	142	M 104.945
E 280 long (W124)	2.8	06.93 - 06.95	142	M 104.942
E 280 T (S124)	2.8	06.93 - 06.96	142	M 104.942
	2.8	06.93 - 06.96	145	M 104.942
E 320 (A124) Cabriolet	3.2	06.93 - 03.98	162	M 104.992/M 104.995
E 320 (C124)	3.2	06.93 - 06.97	162	M 104.992
E 320 (W124)	3.2	06.93 - 06.95	162	M 104.992
E 320 (W210)	3.2	06.95 - 06.97	162	M 104.995
E 320 T (S124)	3.2	06.93 - 06.96	162	M 104.992
E 36 AMG (A124) Cabrio	3.6	05.94 - 03.98	200	M 104.992 (AMG 3.6)
E 36 AMG (C124)	3.6	06.93 - 04.95	195	M 104.992 (AMG 3.6)
	3.6	05.94 - 06.97	200	M 104.992 (AMG 3.6)
E 36 T AMG (S124)	3.6	05.94 - 06.96	200	M 104.992 (AMG 3.6)
G 320 (W463)	3.2	09.94 - 12.97	155	M 104.996
G 320 GE (W463) Cabrio	3.2	09.94 - 11.97	155	M 104.996
G 36 AMG (W463)	3.6	01.95 -	200	
S 280 (W140)	2.8	02.93 - 10.98	142	M 104.944
S 300 SE (W140)	2.8	01.93 - 10.98	145	M 104.944
S 300 SE,SEL/S320	3.2	03.91 - 10.98	170	M 104.990/M 104.994
SL 280 (R129)	2.8	08.93 - 10.01	142	M 104.943
SL 320 (R129)	3.2	09.93 - 10.01	170	M 104.991
SLK 200 (R170)	2.0	09.96 - 03.00	100	M 111.946
Sprinter 214 Bus	2.3	02.95 - 05.06	105	M 111.979
Sprinter 214 Van	2.3	02.95 - 05.06	105	M 111.979/M 111.984
Sprinter 214 Flatbed	2.3	02.95 - 05.06	105	M 111.979
Sprinter 314 Bus	2.3	02.95 - 05.06	105	M 111.984
Sprinter 314 Van	2.3	02.95 - 05.06	105	M 111.979/M 111.984
Sprinter 314 Flatbed	2.3	02.95 - 05.06	105	M 111.984
Sprinter 414 Bus	2.3	02.96 - 05.06	105	M 111.979
Sprinter 414 Van	2.3	02.96 - 05.06	105	M 111.979
Sprinter 414 4x4 Van	2.3	05.97 - 05.06	105	M 111.979
Sprinter 414 Flatbed	2.3	02.96 - 05.06	105	M 111.979



CL604				
MERCEDES				
Sprinter 414 4x4 Flatbed	2.3	05.97 - 05.06	105	M 111.979
V 200 (638/2)	2.0	02.97 - 07.03	95	M 111.948/M 111.950
V 230 (638/2)	2.3	10.96 - 07.03	105	M 111.978
Vito 113 Bus (638)	2.0	02.96 - 07.03	95	M 111.948/M 111.950
Vito 114 Bus (638)	2.3	12.96 - 07.03	105	M 111.978
Vito 113 Van (638)	2.0	03.97 - 07.03	95	M 111.948/M 111.950
Vito 114 Van (638)	2.3	03.97 - 07.03	105	M 111.978


CL605	
PIN	OEM-No.
	MERCEDES 000 158 73 03
	000 158 78 03
	A000 158 73 03
	A000 158 78 03



MERCEDES				
A 150 (W169)	1.5	09.04 -	70	M 266.920
A 160 (W169)	1.5	04.09 -	70	M 266.920
A 170 (W169)	1.7	09.04 -	85	M 266.940
A 180 (W169)	1.7	04.09 -	85	M 266.940
A 200 (W169)	2.0	09.04 -	100	M 266.960
A 200 Turbo (W169)	2.0	09.05 -	142	M 266.980
B 150 (W245)	1.5	03.05 -	70	M 266.920
B 160 (W245)	1.5	04.09 -	70	M 266.920
B 170 (W245)	1.7	03.05 -	85	M 266.940
B 180 (W245)	1.7	04.09 -	85	M 266.940
B 200 (W245)	2.0	03.05 -	100	M 266.960
B 200 Turbo (W245)	2.0	03.05 -	142	M 266.980
C 230 (W203)	2.5	01.05 -	150	M 272.920
C 240 (S203)	2.6	03.01 - 08.07	125	M 112.912
C 240 (W202)	2.4	06.97 - 05.00	125	M 112.910
C 240 (W203)	2.6	05.00 -	125	M 112.912
C 240 4-matic (S203)	2.6	07.02 - 08.07	125	M 112.916
C 240 4-matic (W203)	2.6	07.02 -	125	M 112.916
C 240T (S202)	2.4	06.97 - 09.00	125	M 112.910
	2.4	09.00 - 03.01	125	M 112.915
C 280 (W202)	2.8	06.97 - 05.00	145	M 112.920
C 280T (S202)	2.8	06.97 - 03.01	145	M 112.920
C 32 AMG Kompr. (S203)	3.2	03.01 - 08.07	260	M 112.961
C 32 AMG Kompr. (W203)	3.2	02.01 -	260	M 112.961
C 32 AMG Kompr. Coupe	3.2	05.02 - 06.11	260	M 112.961
C 320 (S203)	3.2	03.01 - 08.07	160	M 112.946
C 320 (W203)	3.2	05.00 -	160	M 112.946
C 320 4-matic (S203)	3.2	07.02 - 08.07	160	M 112.953
C 320 4-matic (W203)	3.2	07.02 -	160	M 112.953
C 320 Coupe (CL203)	3.2	09.02 - 06.11	160	M 112.946
C 350 (S203)	3.5	01.05 - 08.07	200	M 272.960
C 350 (W203)	3.5	01.05 -	200	M 272.960
C 350 4-matic (S203)	3.5	01.05 - 08.07	200	M 272.970
C 350 4-matic (W203)	3.5	01.05 -	200	M 272.970
C 350 Coupe (CL203)	3.5	01.05 - 06.11	200	M 272.960
C 43 AMG (S202)	4.3	08.97 - 03.01	225	M 113.944

CL605				
MERCEDES				
C 43 AMG (W202)	4.3	08.97 - 05.00	225	M 113.944
C 55 AMG (S203)	5.4	02.04 - 08.07	270	M 113.988
C 55 AMG (W203)	5.4	02.04 -	270	M 113.988
CL 500 Coupe (C215)	5.0	03.99 - 03.06	225	M 113.960
CL 55 AMG Coupe (C215)	5.4	10.99 - 03.06	265	M 113.986
CL 55 AMG Kompr. Coupe	5.4	06.02 - 03.06	368	M 113.991
CLK 240 (C209)	2.6	06.02 -	125	M 112.912
CLK 240 Cabriolet (A209)	2.6	02.03 -	125	M 112.912
CLK 320 (C208)	3.2	06.97 - 06.02	160	M 112.940
CLK 320 (C209)	3.2	06.02 -	160	M 112.955
CLK 320 Cabriolet (A208)	3.2	03.98 - 03.02	160	M 112.940
CLK 320 Cabriolet (A209)	3.2	02.03 -	160	M 112.955
CLK 430 (C208)	4.3	07.98 - 06.02	205	M 113.943
CLK 430 Cabriolet (A208)	4.3	09.98 - 03.02	205	M 113.943
CLK 500 (C209)	5.0	06.02 -	225	M 113.968
	5.5	06.06 -	285	M 273.965
CLK 500 Cabriolet (A209)	5.0	02.03 -	225	M 113.968
CLK 55 AMG (C208)	5.4	08.99 - 06.02	255	M 113.981/M 113.984
CLK 55 AMG (C209)	5.4	09.02 -	270	M 113.987
CLK 55 AMG Cabrio (A208)	5.4	01.00 - 03.02	255	M 113.981/M 113.984
CLK 55 AMG Cabrio (A209)	5.4	02.03 -	270	M 113.987
CLS 500 (C219)	5.0	10.04 - 12.10	225	M 113.967
CLS 55 AMG (C219)	5.4	01.05 - 12.10	350	M 113.990
E 240 (W210)	2.4	06.97 - 08.00	125	M 112.911
	2.6	08.00 - 03.02	125	M 112.914
E 240 (W211)	2.6	03.02 - 12.08	130	M 112.917/M 112.913
E 240 4-matic (W211)	2.6	03.03 - 12.08	130	M 112.917
E 240T (S210)	2.4	06.97 - 03.03	125	M 112.911
	2.6	08.00 - 03.03	125	M 112.914
E 240T (S211)	2.6	03.03 - 07.09	130	M 112.913
E 240T 4-matic (S211)	2.6	07.03 - 07.09	130	M 112.917
E 280 (W210)	2.8	12.96 - 03.02	150	M 112.921
E 280 4-matic (W210)	2.8	12.96 - 03.02	150	M 112.921
E 280T (S210)	2.8	12.96 - 03.03	150	M 112.921
E 280T 4-matic (S210)	2.8	12.96 - 03.03	150	M 112.921
E 320 (W210)	3.2	06.97 - 03.02	165	M 112.941
E 320 (W211)	3.2	03.02 - 12.08	165	M 112.949
E 320 4-matic (W210)	3.2	06.97 - 03.02	165	M 112.941
E 320 4-matic (W211)	3.2	03.03 - 12.08	165	M 112.954
E 320T (S210)	3.2	12.96 - 03.03	165	M 112.941
E 320T (S211)	3.2	03.03 - 07.09	165	M 112.949
E 320T 4-matic (S210)	3.2	12.96 - 03.03	165	M 112.941
E 320T 4-matic (S211)	3.2	07.03 - 07.09	165	M 112.954
E 350 CGI (S212)	3.5	11.09 -	215	M 272.983
E 350 CGI (W212)	3.5	01.09 -	215	M 272.983
E 350 CGI Coupe (C207)	3.5	01.09 -	215	M 272.982/M 272.984
E 430 (W210)	4.3	06.97 - 03.02	205	M 113.940
E 430 4-matic (W210)	4.3	05.99 - 03.02	205	M 113.940
E 430T (S210)	4.3	06.97 - 03.03	205	M 113.940
E 430T 4-matic (S210)	4.3	05.99 - 03.03	205	M 113.940
E 500 (W211)	5.0	03.02 - 12.08	225	M 113.967
	5.5	04.06 - 12.08	285	M 273.960
E 500 4-matic (W211)	5.0	10.03 - 12.08	225	M 113.969
	5.5	04.06 - 12.08	285	M 273.962
E 500T (S211)	5.0	10.03 - 07.09	225	M 113.967
	5.5	04.06 - 07.09	285	M 273.960
E 500T 4-matic (S211)	5.0	10.03 - 07.09	225	M 113.969
	5.5	04.06 - 07.09	285	M 273.962
E 55 AMG (W210)	5.4	08.97 - 03.02	260	M 113.980
E 55 AMG 4-matic (W210)	5.4	03.01 - 03.02	260	M 113.980

CL605				
MERCEDES				
E 55 AMG Kompr. (W211)	5.4	10.02 - 12.08	350	M 113.990
E 55T AMG (S210)	5.4	08.97 - 03.03	260	M 113.980
E 55T AMG 4-matic (S210)	5.4	03.01 - 03.03	260	M 113.980
E 55T AMG Kompr. (S211)	5.4	07.03 - 07.09	350	M 113.990
G 320 (W463)	3.2	07.97 -	158	M 112.945
G 320 Cabrio (W463)	3.2	11.97 -	158	M 112.945
G 500 (W463)	5.0	04.98 -	218	M 113.962
G 500 Cabrio (W463)	5.0	04.98 -	218	M 113.962
G 55 AMG (W463)	5.4	04.99 -	260	M 113.982
	5.4	06.04 -	350	M 113.993
	5.4	08.06 -	368	M 113.993
	5.4	08.08 -	373	M 113.993
ML 320 (W163)	3.2	02.98 - 08.02	160	M 112.942
ML 350 (W163)	3.7	08.02 - 06.05	180	M 112.970
	3.7	02.03 - 06.05	173	M 112.970
ML 430 (W163)	4.2	02.98 - 06.05	200	M 113.942
ML 500 (W163)	5.0	09.01 - 06.05	215	M 113.964/M 113.965
ML 500 4-matic (W164)	5.0	07.05 -	225	M 113.964
ML 55 AMG (W163)	5.4	02.00 - 06.05	255	M 113.981
R 500 4-matic (W251, V251)	5.0	01.06 -	225	M 113.971
S 280 (W220)	2.8	10.98 - 08.05	150	M 112.922
S 320 (W220)	3.2	10.98 - 08.05	165	M 112.944
S 350 (W220)	3.7	09.02 - 08.05	180	M 112.972
S 350 4-matic (W220)	3.7	06.03 - 08.05	180	M 112.975
S 430 (W220)	4.3	10.98 - 08.05	205	M 113.941
S 430 4-matic (W220)	4.3	09.02 - 08.05	205	M 113.948
S 500 (W220)	5.0	10.98 - 08.05	225	M 113.960
S 500 4-matic (W220)	5.0	09.02 - 08.05	225	M 113.966
S 55 AMG (W220)	5.4	04.99 - 08.05	265	M 113.986
S 55 AMG Kompr. (W220)	5.4	06.02 - 08.05	368	M 113.991
SL 280 (R129)	2.8	05.98 - 10.01	150	M 112.923/M 112.925
SL 320 (R129)	3.2	05.98 - 10.01	165	M 112.943
SL 350 (R230)	3.7	03.03 -	180	M 112.973
SL 500 (R129)	5.0	05.98 - 10.01	225	M 113.961
SL 500 (R230)	5.0	10.01 -	225	M 113.963
SL 55 AMG (R129)	5.4	03.00 - 10.01	260	M 113.985
SL 55 AMG (R230)	5.4	10.01 - 06.02	350	M 113.992
	5.4	03.06 -	380	M 113.995
SL 55 AMG Kompr. (R230)	5.4	06.02 -	368	M 113.992
SLK 32 AMG Kompr.	3.2	03.01 - 04.04	260	M 112.960
SLK 320 (R170)	3.2	03.00 - 04.04	160	M 112.947
SLK 55 AMG (R171)	5.4	06.04 -	265	M 113.989
SLR (R199)	5.4	04.04 -	460	M 155.980
SLR 722 Edition (R199)	5.4	10.06 -	478	M 155.980
SLR Roadster (R199)	5.4	04.07 -	460	M 155.980
	5.4	10.06 -	478	M 155.980
Viano (W639)	3.2	09.03 -	140	M 112.951
	3.2	09.03 -	160	M 112.951
	3.7	06.04 -	170	M 112.976
Vito 119 Bus (W639)	3.2	09.03 -	140	M 112.951
Vito 122 Bus (W639)	3.2	09.03 -	160	M 112.951
Vito 123 Bus (W639)	3.7	06.04 -	170	M 112.976
Vito / Mixto 119 Van	3.2	09.03 -	140	M 112.951
Vito / Mixto 122 Van	3.2	09.03 -	160	M 112.951

CL606				
PIN	OEM-No.			
	DAEWOO 0001587503			
	MERCEDES 0001587103			
	000 158 75 03			
	A 000 158 75 03			
	A0001587103			
	SSANGYONG 00015 87003			
				
2(3) coils and ignitron lead set T743C/T982C (T623C/T624C)				
DAEWOO				
Korando (KJ)	2.3	01.99 -	105	
	3.2 4x4	01.99 -	156	M 104.995
Korando Cabrio (KJ)	2.0 16V	02.99 -	94	
	2.3	02.99 -	105	
Musso (FJ)	2.3	01.99 -	103	M 111.970
	3.2 4x4	01.99 -	162	M 104.992
Rexton (GAB_)	3.2 V6	04.02 -	162	
MERCEDES				
C 180 (W202)	1.8	11.94 - 05.00	89	M 111.921
	1.8	03.93 - 05.00	90	M 111.921/M 111.920
C 180T (S202)	1.8	06.96 - 09.00	90	M 111.921/M 111.920
C 200 (W202)	2.0	01.94 - 05.00	100	M 111.945/M 111.941
C 200 Kompr. (W202)	2.0	10.95 - 05.00	132	M 111.944
	2.0	11.96 - 05.00	141	M 111.944
C 200T (S202)	2.0	06.96 - 03.01	100	M 111.945/M 111.941
C 200T Kompr. (S202)	2.0	11.96 - 03.01	141	M 111.944
C 230 (W202)	2.3	06.96 - 06.97	110	M 111.974
C 230 Kompr. (W202)	2.3	10.95 - 05.00	142	M 111.975
C 230T (S202)	2.3	06.96 - 06.98	110	M 111.974
C 230T Kompr. (S202)	2.3	06.97 - 09.00	142	M 111.975
C 280 (W202)	2.8	05.93 - 05.00	142	M 104.941
C 36 AMG (W202)	3.6	05.94 - 05.00	206	M 104.941 (AMG 3.6)
CLK 200 (C208)	2.0	06.97 - 06.02	100	M 111.945/M 111.941
CLK 200 Cabriolet (A208)	2.0	03.98 - 03.02	100	M 111.945/M 111.941
CLK 200 Kompr. (C208)	2.0	06.97 - 06.00	141	M 111.944
CLK 200 Kompr. Cabrio	2.0	03.98 - 06.00	141	M 111.944
CLK 230 Kompr. ((C208)	2.3	06.97 - 06.00	142	M 111.975/M 111.973
CLK 230 Kompr. Cabrio	2.3	03.98 - 06.00	142	M 111.975/M 111.973
E 200 (W210)	2.0	06.95 - 08.00	100	M 111.942
E 200 Kompr. (W210)	2.0	06.97 - 03.02	137	M 111.947
E 200T (S210)	2.0	06.96 - 08.00	100	M 111.942
E 200T Kompr. (S210)	2.0	06.97 - 03.03	137	M 111.947
E 230 (W210)	2.3	06.95 - 06.97	110	M 111.970
E 230T (S210)	2.3	06.96 - 06.97	110	M 111.970
ML 230 (W163)	2.3	02.98 - 06.05	110	M 111.977
S 280 ((W140)	2.8	02.93 - 10.98	142	M 104.944
S 300 SE (W140)	2.8	01.93 - 10.98	145	M 104.944
S 300 SE,SEL/S320	3.2	03.91 - 10.98	170	M 104.994
SLK 200 (R170)	2.0	09.96 - 03.00	100	M 111.946
SLK 200 Kompr. (R170)	2.0	10.96 - 03.00	141	M 111.943
SLK 230 Kompr. (R170)	2.3	09.96 - 03.00	142	M 111.973
Sprinter 214 Bus	2.3	02.95 - 05.06	105	M 111.979
Sprinter 214 Flatbed	2.3	02.95 - 05.06	105	M 111.979
Sprinter 214 Van	2.3	02.95 - 05.06	105	M 111.979/M 111.984
Sprinter 214 NGT Bus	2.3	04.00 - 05.06	92	M 111.984
Sprinter 214 NGT Flatbed	2.3	04.00 - 05.06	92	



CL606

MERCEDES

Sprinter 214 NGT Van	2.3	04.00 - 05.06	92	M 111.984
Sprinter 314 Bus	2.3	02.95 - 05.06	105	M 111.984
Sprinter 314 Flatbed	2.3	02.95 - 05.06	105	M 111.984
Sprinter 314 Van	2.3	02.95 - 05.06	105	M 111.979/M 111.984
Sprinter 314 4x4 Bus	2.3	08.02 - 05.06	105	M 111.984
Sprinter 314 4x4 Flatbed	2.3	08.02 - 05.06	105	M 111.984
Sprinter 314 4x4 Van	2.3	08.02 - 05.06	105	M 111.984
Sprinter 314 NGT Bus	2.3	04.00 - 05.06	92	M 111.984
Sprinter 314 NGT Flatbed	2.3	04.00 - 05.06	92	
Sprinter 314 NGT Van	2.3	04.00 - 05.06	92	
Sprinter 414 Bus	2.3	02.96 - 05.06	105	M 111.979
Sprinter 414 Flatbed	2.3	02.96 - 05.06	105	M 111.979
Sprinter 414 Van	2.3	02.96 - 05.06	105	M 111.979
Sprinter 414 4x4 Flatbed	2.3	05.97 - 05.06	105	M 111.979
Sprinter 414 4x4 Van	2.3	05.97 - 05.06	105	M 111.979
V 200 (638/2)	2.0	02.97 - 07.03	95	M 111.948/M 111.950
V 230 (638/2)	2.3	10.96 - 07.03	105	M 111.978
Vito 113 Bus (638)	2.0	02.96 - 07.03	95	M 111.948/M 111.950
Vito 113 Van (638)	2.0	03.97 - 07.03	95	M 111.948/M 111.950
Vito 114 Bus (638)	2.3	12.96 - 07.03	105	M 111.978
Vito 114 Van (638)	2.3	03.97 - 07.03	105	M 111.978

SSANG YONG

Korando (KJ)	2.0	05.97 -	94	
	2.3	05.97 -	103	M 111.970
	2.3	01.99 -	105	
	3.2	12.96 -	154	M 104.995
	3.2	01.99 -	156	M 104.995
Korando Cabrio (KJ)	2.3	11.97 -	103	
	2.3	02.99 -	105	
	3.2	01.99 -	156	M 104.995
Musso (F)	2.0	10.96 -	93	E20
	2.3	10.96 -	103	M 111.970
	2.3	04.03 -	110	
	3.2	06.96 -	162	M 104.992
Rexton (GAB_)	3.2	04.02 -	162	G32D

CL607

PIN	OEM-No.
	MERCEDES 0001587703
	SMART 000 3100 V003
	000 3100 V004
	000 3100 V005
	C 000 3100 V003
	C 000 3100 V004
	C 000 3100 V005

1 coil per cylinder

SMART

City-Coupe (450)	0.6	07.98 - 01.04	33	M 160 E6AL B04/M 160.920
	0.6	07.98 - 01.04	40	M 160 E6AL B03/M 160.920
	0.6	01.01 - 01.04	45	M 160 E6AL B05/M 160.920
	0.6	06.02 - 01.04	52	M 160.910/M 160.920
	0.7	01.03 - 01.04	37	M 160.910
	0.7	01.03 - 01.04	45	M 160.910
	0.7	01.03 - 01.04	55	M 160.910

CL607

SMART

Cabrio (450)	0.6	03.00 - 01.04	40	M 160 E6AL B03/M 160.920
	0.6	01.01 - 01.04	45	M 160 E6AL B05/M 160.920
	0.6	06.02 - 01.04	52	M 160.910/M 160.920
	0.7	01.03 - 01.04	45	M 160.910
	0.7	01.03 - 01.04	55	M 160.910
Crossblade (450)	0.6	06.02 -	52	M 160.910/M 160.920
Roadster (452)	0.7	04.03 -	45	
	0.7	04.03 -	60	
	0.7 Brabus	12.03 -	74	M 160.923
Roadster Coupe (452)	0.7	06.03 -	45	
	0.7	04.03 -	60	
	0.7 Brabus	12.03 -	74	M 160.923
Fortwo Coupe (450)	0.7	01.04 -	37	M 160.910/M 160.920
	0.7	01.04 -	45	M 160.910
	0.7	01.04 -	55	M 160.910
Fortwo Cabrio (450)	0.7	01.04 -	45	M 160.910
	0.7	01.04 -	55	M 160.910
	0.7	01.04 -	55	M 160.910
Forfour (454)	1.1	02.05 -	47	M 134.911
	1.1	01.04 -	55	M 134.910
	1.3	01.04 -	70	M 135.930
	1.5	01.04 -	80	M 135.950
Fortwo Coupe (451)	1.0	01.07 -	45	M 132.910
	1.0	01.07 -	52	M 132.910
	1.0 Turbo	01.07 -	62	M 132.930
Fortwo Cabrio (451)	1.0	01.07 -	52	M 132.910
	1.0 Turbo	01.07 -	62	M 132.930

CL609

DIN	OEM-No.
	MERCEDES 000 158 45 03
	000 158 48 03
	000 158 50 03
	000 158 53 03
	000 158 61 03
	000 158 62 03

MERCEDES

190 E (W201)	2.3	09.85 - 12.87	125	M 102.983
	2.3	09.85 - 08.88	130	M 102.983
	2.3	04.84 - 01.87	136	M 102.983
	2.5	03.89 - 08.93	143	M 102.991
	2.5	09.88 - 08.93	150	M 102.990
190 E II (W201)	2.5	05.90 - 08.93	173	M 102.992
200 (W124)	2.0	01.86 - 05.90	75	M 102.922
	2.0	12.85 - 05.90	80	M 102.922
	2.0	01.86 - 05.90	77	M 102.922
200 E (W124)	2.0	09.88 - 08.92	87	M 102.963
	2.0	09.88 - 12.89	90	M 102.963
200 T (S124)	2.0	01.86 - 05.90	77	M 102.922
	2.0	09.85 - 08.89	80	M 102.922
200 TE (S124)	2.0	09.88 - 08.92	87	M 102.963
	2.0	09.88 - 12.89	90	M 102.962
230 CE Coupe (C124)	2.3	03.87 - 12.92	100	M 102.982

CL609				
MERCEDES				
230 CE Coupe (C124)	2.3	06.89 - 12.92	97	M 102.982
	2.3	03.87 - 12.92	97	M 102.982
230 E (W124)	2.3	12.84 - 03.92	97	M 102.982
	2.3	01.85 - 06.93	100	M 102.982
	2.3 cat	06.89 - 06.93	97	M 102.982
230 GE (W463)	2.3	06.90 - 06.93	93	M 102.989
230 GE Cabrio (W463)	2.3	06.90 - 02.93	93	M 102.989
230 TE (S124)	2.3	09.85 - 08.92	100	M 102.982
	2.3	09.85 - 08.92	97	M 102.982
	2.3 cat	06.89 - 08.92	97	M 102.982
260 E (W124)	2.6	09.85 - 08.92	118	M 103.940
	2.6	09.85 - 12.89	122	M 103.940
260 E 4-matic (W124)	2.6	09.86 - 08.92	118	M 103.943
	2.6	12.86 - 12.89	122	M 103.940
260 SE (W126)	2.6	09.85 - 06.91	118	M 103.941
	2.6	09.85 - 06.91	122	M 103.941
300 GE (W463)	3.0	06.90 -	128	M 103.987
	3.0	06.90 -	125	M 103.987
300 GE Cabrio (W463)	3.0	09.89 - 09.97	125	M 103.987
300 SE,SEL (W126)	3.0	01.86 - 06.91	132	M 103.981
	3.0	09.85 - 12.89	138	M 103.981
380 SE,SEL (W126)	3.8	12.79 - 08.85	150	M 116.963
380 SEC (C126)	3.8	10.81 - 07.85	150	M 116.963
500 E (W124)	5.0	01.91 - 06.93	240	M 119.974
500 E AMG (W124)	6.0	01.92 - 06.93	275	
500 SE,SEL (W126)	5.0	12.79 - 08.85	170	M 117.961/M 117.963
	5.0	12.79 - 08.85	177	M 117.961/M 117.963
500 SEC (C126)	5.0	10.81 - 08.85	170	M 117.963
500 SL (R107)	5.0	05.80 - 12.85	170	M 117.960
	5.0	05.80 - 12.81	177	M 117.960
500 SL (R129)	5.0	09.89 - 08.92	240	M 119.960/M 119.972
E 300 4-matic (W124)	3.0	06.93 - 06.95	132	M 103.985
S 400 SE,SEL/S420	4.2	02.91 - 10.98	210	M 119.971
S 420 (W140)	4.2	01.93 - 10.98	205	M 119.971
S 500 (W140)	5.0	01.93 - 10.98	235	M 119.970/M 119.980
S 500 SE,SEL (W140)	5.0	02.91 - 10.98	240	M 119.970
S 500 SEC/CL Coupe	5.0	10.92 - 02.99	235	M 119.970
S 600 (W140)	6.0	01.93 - 10.98	290	M 120.982/M 120.980
S 600 SE,SEL (W140)	6.0	04.91 - 12.92	300	M 120.982/M 120.980

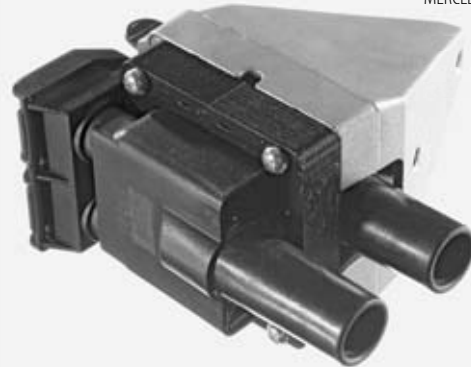
CL610				
MERCEDES				
				OEM-No. MERCEDES 000 150 13 80



MERCEDES				
A 140 (W168)	1.4	07.97 - 08.04	60	M 166.940
	1.6	01.01 - 08.04	60	M 166.960
A 160 (W168)	1.6	07.97 - 08.04	75	M 166.960
A 190 (W168)	1.9	03.99 - 08.04	92	M 166.990
A 210 (W168)	2.1	03.02 - 08.04	103	M 166.995

CL610				
MERCEDES				
Vaneo (414)	1.6	02.02 -	75	M 166.961
	1.6	02.02 -	60	M 166.961
	1.9	02.02 -	92	M 166.991

CL611		OEM-No.		
PIN		MERCEDES 000 150 04 80		



000 158 68 03
A 000 150 04 80
A 000 158 68 03

MERCEDES				
200 E (W124)	2.0	10.92 - 06.93	100	M 111.940
200 TE (S124)	2.0	10.92 - 06.93	100	M 111.940
220 CE Coupe (C124)	2.2	10.92 - 05.93	110	M 111.960
220 E (W124)	2.2	10.92 - 06.93	110	M 111.960
220 TE (S124)	2.2	10.92 - 05.93	110	M 111.960
C 180 (W202)	1.8	03.93 - 05.00	90	M 111.921/M 111.920
C 180 T (S202)	1.8	06.96 - 09.00	90	M 111.921/M 111.920
C 200 (W202)	2.0	01.94 - 05.00	100	M 111.945/M 111.941
C 200 T (S202)	2.0	06.96 - 03.01	100	M 111.945/M 111.941
C 220 (W202)	2.2	03.93 - 05.00	110	M 111.961
E 200 (W124)	2.0	06.93 - 06.95	100	M 111.940
E 200 Cabriolet (A124)	2.0	06.93 - 03.98	100	M 111.940
E 200 Coupe (C124)	2.0	06.93 - 06.97	100	M 111.940
E 200 T (S124)	2.0	06.93 - 06.96	100	M 111.940
E 220 (W124)	2.2	06.93 - 06.95	110	M 111.960
E 220 Cabriolet (A124)	2.2	06.93 - 03.98	110	M 111.960
E 220 Coupe (C124)	2.2	06.93 - 06.97	110	M 111.960
E 220 T (S124)	2.2	06.93 - 06.96	110	M 111.960

CL612		OEM-No.		
DIN		MERCEDES 000 158 64 03		
		PORSCHE 959 602 502 00		



MERCEDES				
300 CE Cabriolet (A124)	3.0	04.92 - 06.93	162	M 104.980
300 CE Coupe (C124)	3.0	09.89 - 12.92	162	M 104.980
300 E (W124)	3.0	09.88 - 08.92	162	M 104.980
300 GE (W463)	3.0	08.90 - 07.93	128	M 103.987
300 TE (S124)	3.0	09.89 - 08.92	162	M 104.980

CL612				
MERCEDES				
400 E (W124)	4.2	10.92 - 06.93	205	M 119.975
420 SE,SEL (W126)	4.2	10.85 - 06.91	150	M 116.965
	4.2	10.85 - 12.87	160	M 116.965
	4.2	10.85 - 06.91	165	M 116.965
	4.2	10.85 - 12.87	170	M 116.965
420 SEC (C126)	4.2	10.85 - 06.91	150	M 116.965
	4.2	10.85 - 12.87	160	M 116.965
	4.2	10.85 - 06.91	165	M 116.965
500 E (W124)	5.0	01.91 - 06.93	240	M 119.974
	5.0	01.91 - 06.93	240	M 119.974
500 SE,SEL (W126)	5.0	09.85 - 06.91	164	M 117.965
	5.0	09.85 - 06.91	180	M 117.965
	5.0	09.87 - 06.91	185	M 117.965
	5.0	09.87 - 06.91	195	M 117.965
	5.0 cat	06.89 - 06.91	185	M 117.965
500 SEC (C126)	5.0	10.85 - 06.91	164	M 117.965
	5.0	09.85 - 06.91	180	M 117.965
	5.0	08.87 - 06.91	185	M 117.965
	5.0 cat	06.89 - 06.91	185	M 117.965
560 SE,SEL (W126)	5.5	10.85 - 06.91	178	M 117.968
	5.5	10.85 - 12.87	200	M 117.968
	5.5	08.87 - 06.91	205	M 117.968
	5.5	10.85 - 06.91	220	M 117.968
560 SEC (C126)	5.5	10.85 - 06.91	178	M 117.968
	5.5	10.85 - 12.87	200	M 117.968
	5.5	10.85 - 06.91	205	M 117.968
	5.5	10.85 - 12.89	220	M 117.968
E 420 (W124)	4.2	06.93 - 06.95	205	M 119.975
E 500 (W124)	5.0	06.93 - 06.95	235	M 119.974
G 500 E (W463)	5.0	09.93 -	177	M 117.965
S 600 (W140)	6.0	01.93 - 10.98	290	M 120.982/M 120.980
S 600 SE,SEL (W140)	6.0	04.91 - 12.92	300	M 120.982/M 120.980
S 600 SEC/CL Coupe	6.0	09.92 - 02.99	290	M 120.982/M 120.980
SL 500 (R129)	5.0	09.92 - 10.01	235	M 119.982/M 119.972
SL 600 (R129)	6.0	07.92 - 10.01	290	M 120.983/M 120.981

CL613				
DIN		OEM-No.		
		MERCEDES 000 158 65 03		
		A 000 158 65 03		
MERCEDES				
300 SL (R129)	3.0	03.89 - 07.93	170	M 104.981
400 E (W124)	4.2	10.92 - 06.93	205	M 119.975
420 SL (R107)	4.2	01.86 - 08.89	150	M 116.964
	4.2	01.86 - 08.89	160	M 116.964
500 E (W124)	5.0	01.91 - 06.93	240	M 119.974



CL613				
MERCEDES				
500 E AMG (W124)	6.0	01.92 - 06.93	275	
500 SL (R107)	5.0	01.86 - 08.89	164	M 117.964
	5.0	01.86 - 08.89	180	M 117.964/M 117.960
E 420 (W124)	4.2	06.93 - 06.95	205	M 119.975
E 500 (W124)	5.0	06.93 - 06.95	235	M 119.974
E 60 AMG (W124)	6.0	05.94 - 06.95	280	M 119.974 AMG
S 300 SE,SEL/S320	3.0	03.91 - 10.98	170	M 104.990
S 400 SE,SEL/S420	4.2	09.92 - 09.98	210	M 119.971
S 420 SEC/CL Coupe	4.2	10.94 - 02.99	205	M 119.971/M 119.981
S 500 (W140)	5.0	06.93 - 10.98	235	M 119.970/M 119.980
S 500 SE,SEL (W140)	5.0	02.91 - 05.93	240	M 119.970
S 500 SEC/CL Coupe	5.0	10.92 - 02.99	235	M 119.970
S 600 (W140)	6.0	01.93 - 10.98	290	M 120.982/M 120.980
S 600 SE,SEL (W140)	6.0	04.91 - 12.92	300	M 120.982/M 120.980
S 600 SEC/CL Coupe	6.0	09.92 - 02.99	290	M 120.982/M 120.980
SL 500 (R129)	5.0	09.92 - 10.01	235	M 119.982/M 119.972
SL 600 (R129)	6.0	07.92 - 10.01	290	M 120.983/M 120.981

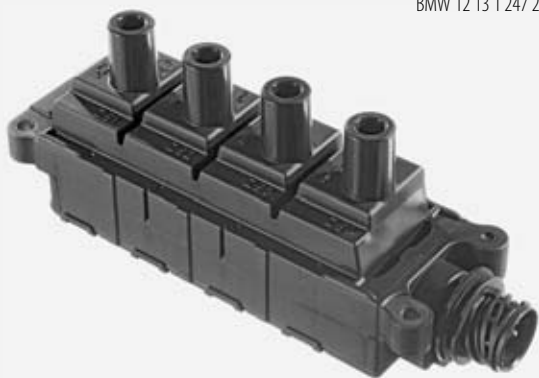
CL614	
DIN	OEM-No.
	MERCEDES 000 158 50 03
	000 158 62 03
	A 000 158 62 03



MERCEDES				
190 E (W201)	2.3	09.85 - 12.87	125	M 102.983
	2.3	09.85 - 08.88	130	M 102.983
	2.3	04.84 - 01.87	136	M 102.983
	2.5	03.89 - 08.93	143	M 102.991
	2.5	09.88 - 08.93	150	M 102.990
190 E II (W201)	2.5	05.90 - 08.93	173	M 102.992
200 (W124)	2.0	01.86 - 05.90	75	M 102.922
	2.0	12.85 - 05.90	80	M 102.922
	2.0	01.86 - 05.90	77	M 102.922
200 E (W124)	2.0	09.88 - 08.92	87	M 102.963
	2.0	09.88 - 12.89	90	M 102.963
200 T (S124)	2.0	01.86 - 05.90	77	M 102.922
	2.0	09.85 - 08.89	80	M 102.922
200 TE (S124)	2.0	09.88 - 08.92	87	M 102.963
	2.0	09.88 - 12.89	90	M 102.962
230 CE Coupe (C124)	2.3	03.87 - 12.92	100	M 102.982
	2.3	06.89 - 12.92	97	M 102.982
	2.3	03.87 - 12.92	97	M 102.982
230 E (W124)	2.3	12.84 - 03.92	97	M 102.982
	2.3	01.85 - 06.93	100	M 102.982
	2.3 cat	06.89 - 06.93	97	M 102.982
230 GE (W463)	2.3	06.90 - 06.93	93	M 102.989
230 GE Cabrio (W463)	2.3	06.90 - 02.93	93	M 102.989
230 TE (S124)	2.3	09.85 - 08.92	100	M 102.982
	2.3	09.85 - 08.92	97	M 102.982
	2.3 cat	06.89 - 08.92	97	M 102.982

CL614				
MERCEDES				
260 E (W124)	2.6	09.85 - 08.92	118	M 103.940
	2.6	09.85 - 12.89	122	M 103.940
260 SE (W126)	2.6	09.85 - 06.91	118	M 103.941
	2.6	09.85 - 06.91	122	M 103.941
300 GE (W463)	3.0	06.90 - 07.93	128	M 103.987
	3.0	06.90 -	125	M 103.987
300 GE Cabrio (W463)	3.0	09.89 - 09.97	125	M 103.987
300 SE,SEL (W126)	3.0	01.86 - 06.91	132	M 103.981
	3.0	09.85 - 12.89	138	M 103.981
300 SL (R129)	3.0	03.89 - 08.93	140	M 103.984
500 E (W124)	5.0	01.91 - 06.93	240	M 119.974
	5.0	01.91 - 06.93	240	M 119.974
500 E AMG (W124)	6.0	01.92 - 06.93	275	
500 SL (R129)	5.0	09.89 - 08.92	240	M 119.960/M 119.972
E 60 AMG (W124)	6.0	05.94 - 06.95	280	M 119.974 AMG
G 230 GE(W461)	2.3	02.93 -	90	M 102.979
S 400 SE,SEL/S420	4.2	02.91 - 05.93	210	M 119.971
S 420 (W140)	4.2	06.93 - 09.98	205	M 119.971
S 500 (W140)	5.0	06.93 - 09.98	235	M 119.970/M 119.980
S 500 SE,SEL (W140)	5.0	02.91 - 05.93	240	M 119.970
S 500 SEC/CL Coupe	5.0	10.92 - 02.99	235	M 119.970

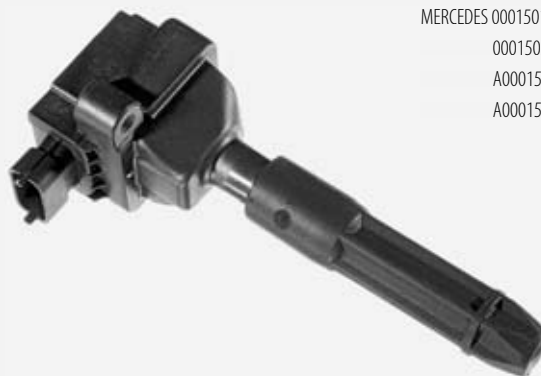
CL615				
PIN	OEM-No.			
	BMW 12 13 1 247 281			



BMW				
316 i (E36)	1.6	07.93 - 02.98	75	M43 B16
	1.9	09.98 - 02.05	77	M43 B19TU/M43 164 E3
316 i (E46)	1.6	04.00 - 02.05	77	M43 B16/M43 B16 (16 4 E3)
	1.6	03.94 - 08.00	75	M43 B16
316 i Compact (E36)	1.6	03.94 - 08.00	75	M43 B16
	1.9	12.98 - 08.00	77	M43 B19TU/M43 164 E3
316 g Compact (E36)	1.6	12.95 - 08.00	75	
316 i Coupe (E36)	1.6	09.93 - 04.99	75	M43 B16
316 i Touring (E36)	1.6	01.96 - 10.99	75	M43 B16
316 Ci Coupe (E46)	1.6	04.00 -	77	M43 B16 (16 4 E3)
318 i (E36)	1.8	10.93 - 02.98	85	M43 B18
318 i (E46)	1.9	02.98 - 09.01	87	M43 B19/M43 B19TU
318 i Cabriolet (E36)	1.8	01.94 - 04.99	85	M43 B18
318 i Touring (E36)	1.8	07.95 - 10.99	85	M43 B18
318 i Touring (E46)	1.9	10.99 - 09.01	87	M43 B19/M43 B19TU
318 is (E36)	1.8	03.93 - 02.98	103	M42 B18
	1.9	09.95 - 02.98	103	M44 B19
318 is Coupe (E36)	1.8	03.92 - 10.95	103	M42 B18
	1.9	09.95 - 04.99	103	M44 B19
318 Ci Coupe (E46)	1.9	11.99 - 09.01	87	M43 B19
318 ti Compact (E36)	1.8	11.94 - 08.95	103	M42 B18
	1.9	07.95 - 08.00	103	M44 B19
518 i (E34)	1.8	08.89 - 09.95	85	M43 B18

CL615				
BMW				
518 i Touring (E34)	1.8	09.94 - 01.97	85	M43 B18
518 g Touring (E34)	1.8	11.95 - 06.96	85	M43 B18
Z3 (E36)	1.8	10.95 - 10.98	85	M43 B18
	1.9	01.99 - 01.03	85	M43 194 E1
	1.9	07.98 - 01.03	87	M43 B19.../M43 194 E1
	1.9	10.95 - 03.99	103	M44 B19

CL616	
	OEM-No.
	MERCEDES 0001501780
	0001502880
	A0001501780
	A0001502880



1 coil per cylinder

MERCEDES				
C 180 (S203)	2.0	03.01 - 05.02	95	M 111.951
C 180 (W203)	2.0	10.00 - 05.02	95	M 111.951
C 180 Coupe (CL203)	2.0	03.01 - 05.02	95	M 111.951
C 180 T (S202)	2.0	09.00 - 03.01	95	M 111.952
C 200 Kompr. (S203)	2.0	03.01 - 05.02	120	M 111.955
C 200 Kompr. (W203)	2.0	05.00 - 05.02	120	M 111.955
C 200 Kompr. Coupe	2.0	03.01 - 05.02	120	M 111.955
C 200 T Kompr. (S202)	2.0	09.00 - 03.01	120	M 111.956
C 230 Kompr. Coupe	2.3	03.01 - 05.02	145	M 111.981
CLK 200 Kompr. (C208)	2.0	06.00 - 06.02	120	M 111.956
CLK 200 Kompr. Cabriolet	2.0	06.00 - 03.02	120	M 111.956
CLK 230 Kompr. (C208)	2.3	06.00 - 06.02	145	M 111.982
CLK 230 Kompr. Cabriolet	2.3	06.00 - 03.02	145	M 111.982
E 200 Kompr. (W210)	2.0	08.00 - 03.02	120	M 111.957
E 200 T Kompr. (S210)	2.0	08.00 - 03.03	120	M 111.957
SLK 200 Kompr. (R170)	2.0	03.00 - 04.04	120	M 111.958
SLK 230 Kompr. (R170)	2.3	03.00 - 04.04	145	M 111.983

CL617	
	OEM-No.
	MERCEDES 0001587203



1 coil per cylinder

MERCEDES				
E 420 (W210)	4.2	01.96 - 06.97	205	M 119.985
E 420 T (S210)	4.2	06.96 - 06.97	205	M 119.985
E 50 AMG (W210)	5.0	02.96 - 08.97	255	M 119.985 (AMG 5.0)
S 400 SE,SEL/S420	4.2	02.91 - 10.98	210	M 119.971
S 420 SEC/CL Coupe	4.2	10.94 - 02.99	205	M 119.971/M 119.981
S 500 (W140)	5.0	01.93 - 10.98	235	M 119.970/M 119.980

CL617

MERCEDES

S 500 SE,SEL (W140)	5.0	02.91 - 10.98	240	M 119.970
S 500 SEC/CL Coupe	5.0	10.92 - 02.99	235	M 119.970
SL 500 (R129)	5.0	09.92 - 10.01	235	M 119.982/M 119.972
SL 60 AMG (R129)	6.0	05.97 - 10.01	280	M 122.981
SL 600 (R129)	6.0	07.92 - 10.01	290	M 120.983/M 120.981

CL618

OEM-No.

MERCEDES 0001501580

A0001501580



1 coil per cylinder

MERCEDES

C 160 Kompr. Coupe	1.8	05.02 - 11.06	90	M 271.921
C 180 Kompr. (S203)	1.8	05.02 - 11.06	105	M 271.946
C 180 Kompr. (W203)	1.8	05.02 - 11.06	105	M 271.946
C 180 Kompr. Coupe	1.8	05.02 - 11.06	105	M 271.946
C 200 CGI Kompr. (S203)	1.8	07.03 - 11.06	125	M 271.942
C 200 CGI Kompr. (W203)	1.8	07.03 - 11.06	125	M 271.942
C 200 CGI Kompr. Coupe	1.8	03.03 - 11.06	125	M 271.942
C 200 Kompr. (S203)	1.8	05.02 - 11.06	120	M 271.940
C 200 Kompr. (W203)	1.8	05.02 - 11.06	120	M 271.940
C 200 Kompr. Coupe	1.8	05.02 - 11.06	120	M 271.940
C 230 Kompr. (S203)	1.8	02.04 - 11.06	141	M 271.948
C 230 Kompr. (W203)	1.8	02.04 - 11.06	141	M 271.948
C 230 Kompr. Coupe	1.8	05.02 - 11.06	141	M 271.948
CLK 200 CGI (C209)	1.8	07.03 - 11.06	125	M 271.942
CLK 200 Kompr. (C209)	1.8	09.02 - 11.06	120	M 271.940
CLK 200 Kompr. Cabriolet	1.8	02.03 - 11.06	120	M 271.940
E 200 CGI (W211)	1.8	11.02 - 11.06	125	M 271.946
E 200 Kompr. (S211)	1.8	04.06 - 11.06	135	M 271.956
E 200 Kompr. (W211)	1.8	11.02 - 11.06	120	M 271.941
E 200 Kompr. (W211)	1.8	04.06 - 11.06	135	M 271.956
E 200T Kompr. (S211)	1.8	03.03 - 11.06	120	M 271.941
SLK 200 Kompr. (R171)	1.8	03.04 - 11.06	120	M 271.944

CL619

OEM-No.

BMW 12137571644

12137582627



1 coil per cylinder

BMW

116 i (E81, E87)	1.6	09.07 -	90	N45 B16.../N43 B16 A
116 i (E81, E87)	2.0	01.09 -	90	N43 B20 A

CL619

BMW

118 i (E81, E87)	2.0	04.07 -	105	N43 B20 A
118 i Cabriolet (E88)	2.0	03.08 -	105	N43 B20 A
120 i (E81, E87)	2.0	04.07 -	125	N43 B20 A
120 i Cabriolet (E88)	2.0	03.08 -	125	N43 B20 A
120 i Coupe (E82)	2.0	09.09 -	125	N43 B20 A
318 i (E90)	2.0	09.07 -	105	N43 B20 A
318 i Touring (E91)	2.0	09.07 -	105	N43 B20 A
320 i (E90)	2.0	09.07 -	125	N43 B20 A
320 i Cabriolet (E93)	3.0	03.07 -	125	N43 B20 A
320 i Coupe (E92)	2.0	03.07 -	125	N43 B20 A
320 i Touring (E91)	2.0	09.07 -	125	N43 B20 A
325 i (E90)	3.0	09.07 -	160	N53 B30/N53 B30 A
325 i Cabriolet (E93)	3.0	03.07 -	160	N53 B30/N53 B30 A
325 i Coupe (E92)	3.0	09.07 -	160	N53 B30/N53 B30 A
325 i Touring (E91)	3.0	09.07 -	160	N53 B30/N53 B30 A
325 i xDrive (E90)	3.0	09.08 -	160	N53 B30 A
325 i xDrive Coupe (E92)	3.0	09.08 -	160	N53 B30 A
325 i xDrive Touring (E91)	3.0	09.08 -	160	N53 B30 A
325 xi (E90)	3.0	09.07 -	160	N53 B30 A
325 xi Coupe (E92)	3.0	09.07 -	160	N53 B30 A
325 xi Touring (E91)	3.0	09.07 -	160	N53 B30 A
330 i (E90)	3.0	09.07 -	200	N53 B30/N53 B30 A
330 i Cabriolet (E93)	3.0	03.07 -	200	N53 B30/N53 B30 A
330 i Coupe (E92)	3.0	09.06 -	200	N53 B30/N53 B30 A
330 i Touring (E91)	3.0	09.07 -	200	N53 B30
330 i xDrive (E90)	3.0	09.08 -	200	N53 B30 A
330 i xDrive Coupe (E92)	3.0	09.08 -	200	N53 B30 A
330 i xDrive Touring (E91)	3.0	09.08 -	200	N53 B30 A
330 xi (E90)	3.0	09.07 -	200	N53 B30 A
330 xi Coupe (E92)	3.0	09.06 -	200	N52 B30 A
330 xi Touring (E91)	3.0	09.07 -	200	N53 B30 A
520 i (E60)	2.0	09.07 -	125	N43 B20 A
520 i Touring (E61)	2.0	09.07 -	125	N43 B20 A
523 i (E60)	2.5	01.07 -	140	N52 B25 A
523 i (F10)	3.0	03.10 -	150	N53 B30 A
523 i Touring (E61)	2.5	01.07 -	140	N52 B25 A
523 i Touring (F11)	3.0	09.10 -	150	N53 B30 A
525 i (E60)	3.0	01.07 -	160	N53 B30/N53 B30 A
525 i Touring (E61)	3.0	01.07 -	160	N53 B30/N53 B30 A
525 i xDrive (E60)	3.0	09.08 -	160	N53 B30 A
525 i xDrive Touring (E61)	3.0	09.08 -	160	N53 B30 A
525 xi (E60)	3.0	01.07 -	160	N53 B30 A
525 xi Touring (E61)	3.0	01.07 -	160	N53 B30 A
528 i (F10)	3.0	03.10 -	190	N53 B30 A
528 i Touring (F11)	3.0	09.10 -	190	N53 B30 A
530 i (E60)	3.0	01.07 -	200	N53 B30/N53 B30 A
530 i Touring (E61)	3.0	01.07 -	200	N53 B30/N53 B30 A
530 i xDrive (E60)	3.0	09.08 -	200	N53 B30 A
530 i xDrive Touring (E61)	3.0	09.08 -	200	N53 B30 A
530 xi (E60)	3.0	01.07 -	200	N53 B30 A
530 xi Touring (E61)	3.0	01.07 -	200	N53 B30 A
630 i (E63)	3.0	07.07 -	200	N53 B30
630 i Cabriolet (E64)	3.0	07.07 -	200	N53 B30

CL620



OEM-No.
 PORSCHE 94860210400
 94860210401
 94860210403
 94860210405
 94860210407
 94860210408
 94860210409

1 coil per cylinder

PORSCHE

Cayenne (955)	4.5 S	09.02 -	250	M 48.00
	4.5 Turbo	09.02 -	331	M 48.50
	4.5 S Turbo	01.04 -	368	M 48.50S

CL621



OEM-No.
 MERCEDES 0001501980
 0001502680
 0001502780
 A0001501980
 A0001502680
 A0001502780

1 coil per cylinder

MERCEDES

280 4-matic (X204)	3.0	06.08 - 06.09	170	M 272.948
300 4-matic (X204)	3.0	07.09 - 04.11	170	M 272.948
350 4-matic (X204)	3.5	06.08 - 04.11	200	M 272.971
C 230 (W204)	2.5	01.07 -	150	M 272.921
C 230 (S203)	2.5	01.05 - 08.07	150	M 272.920
C 230 (S204)	2.5	08.07 -	150	M 272.921
C 230 (W203)	2.5	01.05 -	150	M 272.920
C 230 4-matic (W204)	2.5	07.07 -	150	M 272.911
C 230 Coupe (CL203)	2.5	01.05 - 06.11	150	M 272.920
C 280 (W204)	3.0	01.07 -	170	M 272.947
C 280 (S203)	3.0	01.05 - 08.07	170	M 272.940
C 280 (S204)	3.0	08.07 -	170	M 272.947
C 280 (W203)	3.0	01.05 -	170	M 272.940
	3.0	01.05 -	170	M 272.941
C 280 4-matic (W204)	3.0	07.07 -	170	M 272.948
C 280 4-matic (S203)	3.0	01.05 - 08.07	170	M 272.941
C 300 (W204)	3.0	07.09 -	170	M 272.947
C 300 4-matic (W204)	3.0	07.07 -	170	M 272.948
C 350 (W204)	3.5	01.07 -	200	M 272.961
	3.5	01.11 -	225	M 276.957
C 350 (S203)	3.5	01.05 - 08.07	200	M 272.960
C 350 (S204)	3.5	08.07 -	200	M 272.961
C 350 (W203)	3.5	01.05 -	200	M 272.960
C 350 4-matic (W204)	3.5	07.07 -	200	M 272.971
	3.5	01.11 -	225	M 276.957
C 350 4-matic (S203)	3.5	01.05 - 08.07	200	M 272.970
C 350 4-matic (W203)	3.5	01.05 -	200	M 272.970
C 350 CGI (W204)	3.5	09.08 -	215	M 272.982
C 350 Coupe (CL203)	3.5	01.05 - 06.11	200	M 272.960

CL621

MERCEDES

CL 500 Coupe (C216)	5.5	06.06 -	285	M 273.961
	5.5	02.08 -	285	M 273.968
CLC 230 (CL203)	2.5	05.08 -	150	M 272.920
CLC 350 (CL203)	3.5	05.08 -	200	M 272.960
CLK 280 (C209)	3.0	01.05 -	170	M 272.940
CLK 280 Cabriolet (A209)	3.0	01.05 -	170	M 272.940
CLK 350 (C209)	3.5	01.05 -	200	M 272.960
CLK 350 Cabriolet (A209)	3.5	01.05 -	200	M 272.960
CLK 500 Cabriolet (A209)	5.5	06.06 -	285	M 273.967
CLS 280 (C219)	3.0	07.08 - 12.10	170	M 272.943
CLS 300 (C219)	3.0	04.09 - 12.10	170	M 272.943
CLS 350 (C219)	3.5	10.04 - 12.10	200	M 272.964
	3.5	04.06 - 12.10	215	
CLS 350 CGI (C219)	3.5	04.09 - 12.10	215	M 272.985
CLS 500 (C219)	5.5	04.06 - 12.10	285	M 273.960
E 230 (W211)	2.5	09.07 - 12.08	150	M 272.922
E 230T (S211)	2.5	05.07 - 07.09	150	M 272.922
E 280 (W211)	3.0	03.05 - 12.08	170	M 272.943
E 280 4-matic (W211)	3.0	01.06 - 12.08	170	M 272.943
E 280T (S211)	3.0	03.05 - 07.09	170	M 272.943
E 280T 4-matic (S211)	3.0	03.05 - 07.09	170	M 272.943
E 350 (W211)	3.5	03.05 - 12.08	200	M 272.964
E 350 4-matic (S212)	3.5	11.09 -	200	M 272.977
E 350 4-matic (W211)	3.5	03.05 - 12.08	200	M 272.964/M 272.972
E 350 4-matic (W212)	3.5	01.09 -	200	M 272.977
E 350 CGI (S211)	3.5	05.06 - 07.09	215	M 272.985
E 350 CGI (W211)	3.5	09.07 - 12.08	215	M 272.985
E 350T (S211)	3.5	03.05 - 07.09	200	M 272.964/M 272.972
E 350T 4-matic (S211)	3.5	03.05 - 07.09	200	M 272.964/M 272.972
E 500 (S212)	5.5	11.09 -	285	M 273.971
E 500 (W211)	5.5	04.06 - 12.08	285	M 273.960
E 500 (W212)	5.5	01.09 -	285	M 273.971
E 500 4-matic (W211)	5.5	04.06 - 12.08	285	M 273.962
E 500 4-matic (W212)	5.5	01.09 -	285	M 273.970
E 500 Cabriolet (A207)	5.5	01.10 -	285	M 273.966
E 500 Coupe (C207)	5.5	01.09 -	285	M 273.966
E 500T (S211)	5.5	04.06 - 07.09	285	M 273.960
E 500T 4-matic (S211)	5.5	04.06 - 07.09	285	M 273.962
GL 450 (X164)	4.7	09.06 -	250	M 273.923
GL 500 (X164)	5.5	09.06 -	285	M 273.963
ML 350 4-matic (W164)	3.5	07.05 -	200	M 272.962/M 272.967
ML 500 4-matic (W164)	5.5	12.07 -	285	M 273.963
R 280 (W251, V251)	3.0	01.07 -	170	M 272.945
R 300 (W251, V251)	3.0	07.09 -	170	M 272.945
R 350 (W251, V251)	3.5	01.07 -	200	M 272.967
R 350 4-matic	3.5	01.06 -	200	M 272.967
R 500 4-matic (5.5	01.07 -	285	M 273.963
S 350 (W221)	3.5	10.05 -	200	M 272.965
	3.5	04.11 -	225	M 272.950
S 350 4-matic (W221)	3.5	02.08 -	200	M 272.975/M 272.965
	3.5	04.11 -	225	M 272.950
S 450 (W221)	4.7	12.05 -	250	M 273.922/M 273.923
S 450 4-matic (W221)	4.7	12.05 -	250	M 273.922/M 273.924
S 500 (W221)	5.5	10.05 -	285	M 273.961
S 500 4-matic (W221)	5.5	10.05 -	285	M 273.961/M 273.968
SL 280 (R230)	3.0	03.08 -	170	M 272.949
SL 300 (R230)	3.0	04.09 -	170	M 272.949
SL 350 (R230)	3.5	03.06 -	200	M 272.966
	3.5	04.08 -	232	M 272.968
SLK 280 (R171)	3.0	01.05 -	170	M 272.942

CL621				
MERCEDES				
SLK 300 (R171)	3.0	04.09 -	170	M 272.942
SLK 350 (R171)	3.5	06.04 -	200	M 272.963
	3.5	01.08 -	224	M 272.969
Sprinter 224 Bus (906)	3.5	06.06 -	190	M 272.979
Sprinter 224 Flatbed (906)	3.5	06.06 -	190	M 272.979
Sprinter 224 Van (906)	3.5	06.06 -	190	M 272.979
Sprinter 324 Bus (906)	3.5	06.06 -	190	M 272.979
Sprinter 324 Flatbed (906)	3.5	06.06 -	190	M 272.979
Sprinter 324 Van (906)	3.5	06.06 -	190	M 272.979
Sprinter 424 Flatbed (906)	3.5	06.06 -	190	M 272.979
Sprinter 424 Van (906)	3.5	06.06 -	190	M 272.979
Sprinter 524 Flatbed (906)	3.5	06.06 -	190	M 272.979
Sprinter 524 Van (906)	3.5	06.06 -	190	M 272.979
Vito 126 Bus (W639)	3.5	09.07 -	190	M 272.978
Vito/Mixto 126 Van	3.5	09.07 -	190	M 272.978

CL622

OEM-No.
MERCEDES 0001502580
A0001502580



1 coil per cylinder

MERCEDES

C 160 Kompr. Coupe	1.8	11.06 - 06.11	90	M 271.921
C 180 CGI (W204)	1.8	01.07 -	115	M 271.820
C 180 Kompr. (W204)	1.6	01.08 -	115	M 271.910
C 180 Kompr. (W204)	1.8	01.07 -	115	M 271.952
C 180 Kompr. (S203)	1.8	11.06 - 08.07	105	M 271.946
C 180 Kompr. (S204)	1.6	01.08 -	115	M 271.910
	1.8	08.07 -	115	M 271.952
C 180 Kompr. (W203)	1.8	11.06 -	105	M 271.946
C 180 Kompr. Coupe	1.8	11.06 - 06.11	105	M 271.946
C 200 CGI (W204)	1.8	01.07 -	135	M 271.820
C 200 CGI Kompr. (S203)	1.8	11.06 - 08.07	125	M 271.942
C 200 CGI Kompr. (W203)	1.8	11.06 -	125	M 271.942
C 200 CGI Kompr. Coupe	1.8	11.06 - 06.11	125	M 271.942
C 200 Kompr. (W204)	1.8	01.07 -	135	M 271.950
C 200 Kompr. (S203)	1.8	11.06 - 08.07	120	M 271.940
C 200 Kompr. (S204)	1.8	08.07 -	135	M 271.950
C 200 Kompr. (W203)	1.8	11.06 -	120	M 271.940
C 200 Kompr. Coupe	1.8	11.06 - 06.11	120	M 271.940
C 230 Kompr. (S203)	1.8	11.06 - 08.07	141	M 271.948
C 230 Kompr. (W203)	1.8	11.06 -	141	M 271.948
C 230 Kompr. Coupe	1.8	11.06 - 06.11	141	M 271.948
C 250 CGI (W204)	1.8	07.09 -	150	M 271.860
C 250 CGI (S204)	1.8	07.09 -	150	M 271.860
CLC 160 (CL203)	1.6	02.09 -	95	M 271.911
CLC 180 Kompr. (CL203)	1.8	05.08 -	105	M 271.946
CLC 200 Kompr. (CL203)	1.8	05.08 -	135	M 271.955
CLK 200 CGI (C209)	1.8	11.06 -	125	M 271.942
CLK 200 CGI Cabriolet	1.8	07.03 -	125	M 271.942
CLK 200 Kompr. (C209)	1.8	11.06 -	120	M 271.940

CL622				
MERCEDES				
CLK 200 Kompr. (C209)	1.8	11.06 -	135	M 271.955
CLK 200 Kompr. Cabriolet	1.8	11.06 -	120	M 271.940
	1.8	10.06 -	135	M 271.955
E 200 CGI (C207)	1.8	01.10 -	135	M 271.820/M 271.860
E 200 CGI (S212)	1.8	11.09 -	135	M 271.820/M 271.860
E 200 CGI (W211)	1.8	11.06 - 12.08	125	M 271.946
E 200 CGI (W212)	1.8	08.09 -	135	M 271.820/M 271.860
E 200 CGI Cabriolet (A207)	1.8	01.10 -	135	M 271.820/M 271.860
E 200 NGT (W211)	1.8	11.06 - 12.08	120	M 271.941
E 200 Kompr. (S211)	1.8	11.06 - 07.09	135	M 271.956
E 200 Kompr. (W211)	1.8	11.06 - 12.08	120	M 271.941
	1.8	11.06 - 12.08	135	M 271.956
E 200T Kompr. (S211)	1.8	11.06 - 07.09	120	M 271.941
E 250 CGI (C207)	1.8	01.09 -	150	M 271.860
E 250 CGI (S212)	1.8	11.09 -	150	M 271.860
E 250 CGI (W212)	1.8	01.09 -	150	M 271.860
E 250 CGI Cabriolet (A207)	1.8	01.10 -	150	M 271.860
SLK 200 Kompr. (R171)	1.8	11.06 -	120	M 271.944
	1.8	01.08 -	135	M 271.954
Sprinter 316 Bus (906)	1.8	09.08 -	115	M 271.951
Sprinter 316 Flatbed (906)	1.8	09.08 -	115	M 271.951
Sprinter 316 Van (906)	1.8	09.08 -	115	M 271.951
Sprinter 516 Flatbed (906)	1.8	09.08 -	115	M 271.951

CL623

OEM-No.
BMW 12137523345
12137548553



1 coil per cylinder

BMW

130 i (E81, E87)	3.0	09.05 - 04.06	195	N52 B30 A/N52 B30
325 i (E90)	2.5	01.05 - 04.06	160	N52 B25/N52 B25 A
325 xi (E90)	2.5	01.05 - 04.06	160	N52 B25 A
330 i (E90)	3.0	01.05 - 04.06	190	N52 B30 A/N52 B30
330 xi (E90)	3.0	01.05 -	190	N52 B30 A
323 i Touring (E91)	2.5	04.06 - 06.07	130	N52N B25 A
	2.5	09.05 - 04.06	160	N52 B25/- C/N52 B25 A
325 xi Touring (E91)	2.5	09.05 - 04.06	160	N52 B25 C
330 i Touring (E91)	3.0	09.05 - 04.06	190	N52 B30 A/N52 B30
330 xi Touring (E91)	3.0	09.05 -	190	N52 B30 A
523 i (E60)	2.5	07.05 - 04.06	130	N52 B25/N52 B25 A
525 i (E60)	2.5	07.05 - 04.06	160	N52 B25/N52 B25 A
525 xi (E60)	2.5	07.05 -	160	N52 B25 A
530 i (E60)	3.0	07.05 - 04.06	190	N52 B30 A/N52 B30
530 xi (E60)	3.0	07.05 - 04.06	190	N52 B30 A
523 i Touring (E61)	2.5	07.05 - 04.06	130	N52 B25/N52 B25 A
	2.5	07.05 - 04.06	160	N52 B25/N52 B25 A
525 xi Touring (E61)	2.5	07.05 -	160	N52 B25 A
530 i Touring (E61)	3.0	07.05 - 04.06	190	N52 B30 A/N52 B30
530 xi Touring (E61)	3.0	07.05 - 04.06	190	N52 B30 A
630 i (E63)	3.0	09.04 - 04.06	190	N52 B30 A/N52 B30
630 i Cabriolet (E64)	3.0	09.04 - 04.06	190	N52 B30 A/N52 B30
730 i Li (E65, E66)	3.0	03.05 - 04.06	190	N52 B30 A/N52 B30

CL623				
BMW				
Z4 (E85)	2.5 i	01.06 - 04.06	130	N52 B25 A
	2.5 si	01.06 - 04.06	160	N52 B25 A
	3.0 si	01.06 - 04.06	195	N52 B30 A/N52 B30
Z4 Coupe (E86)	3.0 si	03.06 -	195	N52 B30 A/N52 B30

CL700		OEM-No.
SAE		ROVER GCL 201 NEC100630

LANDROVER				
Freelander Soft Top	1.8 i 16V	02.98 -	88	18 K4F
MG				
MGF (RD)	1.8 i 16V	03.95 - 03.02	88	18 K4F
ROVER				
25 (RF)	1.4 16V	10.99 -	62	14 K4M
	1.4 16V	10.99 -	76	14 K4F
	1.6 16V	10.99 -	80	16 K4F
	1.8 16V	10.99 -	85	18 K4F
45 Sedan (RT)	2.0 V6	02.00 -	110	20 K4F
111 C/L/S (XP)	1.1	03.90 - 12.98	44	11 K2D/11 K2A
114 Si/L/GTA (XP)	1.4	03.90 - 12.98	55	14 K2D/14 K2A
114 GTI/GT (XP)	1.4 16V cat	03.90 - 12.98	66	14 K4C/14 K4D
211 (RF)	1.1	01.98 - 03.00	44	11 K2D
214 i (RF)	1.4	11.95 - 03.00	55	14 K2F
214 Si (RF)	1.4	11.95 - 03.00	76	14 K4F
216 Cabriolet (XW)	1.6 i 16V	01.96 - 11.99	82	16 K4F
216 Si (RF)	1.6	11.95 - 03.00	82	16 K4F
400 Tourer (XW)	1.6 i	05.94 - 11.98	82	D 16 Z2
	1.6 i	05.94 - 11.98	90	D 16 A8
414 Hatchback (RT)	1.4	03.96 - 12.97	55	14 K2F
414 Si (RT)	1.4	05.95 - 03.00	76	14 K4F
414 Si Hatchback (RT)	1.4	05.95 - 03.00	76	14 K4F
416 Si (RT)	1.6	05.95 - 03.00	82	16 K4F
	1.6	05.95 - 03.00	83	D 16 Y2
416 Si Hatchback (RT)	1.6	05.95 - 03.00	82	16 K4F
	1.6	06.95 - 03.00	83	D 16 Y2
Coupe	1.6 16V	03.96 - 11.99	82	16 K4F

CL702		OEM-No.
		LANDROVER NEC 000070
		NEC 000070 L
		NEC 000110 L
		ROVER NEC000070 NEC000110

1 coil per cylinder

LANDROVER				
Freelander (LN)	2.5 V6	11.00 -	130	25 K4F
MG				
MG ZT 160	2.5	06.01 -	118	25 K4F
MG ZT 190	2.5	06.01 -	140	25 K4F
MG ZT-T 160	2.5	10.01 -	118	25 K4F
MG ZT-T 190	2.5	10.01 -	140	25 K4F
PORSCHE				
911 Cabriolet (996)	3.6 Carrera	10.01 - 08.05	235	M 96.03
	3.6 Carrera 4	10.01 - 08.05	235	M 96.03
ROVER				
75 (RJ)	2.0 V6	02.99 - 06.04	110	20 K4F
	2.5 V6	10.01 -	130	25 K4F
75 Tourer (RJ)	2.0 V6	08.01 -	110	20 K4F
	2.5 V6	08.01 - 04.05	130	KV 6

CL705		OEM-No.
		SAAB 9197559
		55559955
		55562588

SAAB				
9-3 (YS3D)	2.0 i	02.98 - 09.02	96	B204I
	2.0 Turbo	01.01 - 09.02	110	B205E
	2.0 Turbo	10.98 - 09.02	113	B204E
	2.0 SE Turbo	02.98 - 09.02	147	B204R
	2.3 i	02.98 - 09.02	110	B234I
	2.3 Turbo	10.98 - 09.02	165	B235R
9-3 Cabriolet (YS3D)	2.0 i	02.98 - 08.03	96	B204I
	2.0 Turbo	01.01 - 08.03	110	B205E
	2.0 Turbo	10.98 - 08.03	113	B204E
	2.0 Turbo	02.98 - 08.03	136	B205L/B204L
	2.0 SE Turbo	02.98 - 08.03	147	B204R
	2.3 i	02.98 - 08.03	110	B234I
9-5 (YS3E)	2.0 T	09.97 -	110	B205E
	2.0	07.00 -	136	B205L
	2.3 T	09.97 -	125	B235E

CL705

SAAB

9-5 (YS3E)	2.3T	01.01 -	136	B235E
	2.3 Turbo	07.03 -	162	B235L
	2.3 Turbo	10.99 - 09.01	169	B235R
	2.3 Turbo	09.01 -	184	B235R
	2.3 Turbo	11.05 -	191	B235R
9-5 Combi (YS3E)	2.0T	10.98 -	110	B205E
	2.0	07.00 - 07.01	136	B205L
	2.0T	10.98 -	141	B204R
	2.3T	10.98 -	125	B235E
	2.3T	01.01 -	136	B235E
	2.3T Bio Power	11.06 -	154	
	2.3 Turbo	07.03 -	162	B235L
	2.3 Turbo	10.99 - 09.01	169	B235R
	2.3 Turbo	09.01 -	184	B235R
	2.3 Turbo	01.06 -	191	B235R

CL706

SAE



OEM-No.

CHRYSLER 05269670
5269670
04609103AB
05269670AB

CHRYSLER

PT Cruiser (PT_)	2.0	10.04 -	100	ECC
	2.0	06.00 -	104	ECC
	2.4	08.05 -	105	EDZ
	2.4	06.00 -	110	EDZ
PT Cruiser Cabriolet	2.4	03.04 -	105	EDZ

MINI

Mini (R50, R53)	1.4	04.03 - 10.06	55	
Mini One (R50, R53)	1.6	06.01 -	66	W10B16A
Mini Cooper (R50, R53)	1.6	06.01 -	85	N12B16A/W10B16A
Mini Cooper S (R50, R53)	1.6	03.02 -	120	N14 B16 A/W11B16A
	1.6	07.04 -	125	W11B16A
Mini Works (R50, R53)	1.6	11.03 -	155	W11B16A
Mini Cabriolet One (R52)	1.6	07.04 -	66	W10B16A
Mini Cabriolet Cooper (R52)	1.6	07.04 -	85	W10B16A
Mini Cabriolet Cooper S	1.6	07.04 -	125	W11B16A
Mini Cabriolet JCW (R52)	1.6	07.04 -	155	W11B16A

MINI

Eclipse II (D3_)	2.0 GT 16V	12.95 - 04.99	157	
------------------	------------	---------------	-----	--

CL707

PIN

OEM-No.

VOLVO 1275602



2 coils and ignition lead set T382B

VOLVO

S40 I (VS)	1.8	03.99 - 12.03	90	B 4184 S2/B 4184 S9
	1.8 i	06.01 - 12.03	90	B 4184 SJ
	1.9T4	05.97 - 07.00	147	B 4194T/B 4194T2
	2.0T	10.97 - 07.00	118	B 4204T
	2.0T	06.01 - 12.03	120	B 4204T3
	2.0T	07.00 - 06.01	121	B 4204T3
V40 Combi (VW)	2.0T4	07.00 - 12.03	147	B 4204T5
	1.8 i	06.01 - 06.04	90	B 4184 SJ
	1.9T4	05.97 - 07.00	147	B 4194T
	2.0T	10.97 - 07.00	118	B 4204T
	2.0T	06.01 - 06.04	120	B 4204T3
	2.0T4	07.00 - 06.04	147	B 4204T5

CL708

DIN

OEM-No.

ROVER NEC000130
NEC100870



2 coils and ignition lead set T565B

MG

MGF (RD)	1.8 iVVC	03.95 - 03.02	107	18 K4K
----------	----------	---------------	-----	--------

ROVER

25 (RF)	1.8 16V	10.99 -	85	18 K4F
	1.8 16V	02.00 -	107	18 K4K
45 (RT)	1.8	02.00 -	86	18 K4F
45 Sedan (RT)	1.8	02.00 -	86	18 K4F
218 K Vi (RF)	1.8	11.95 - 03.00	107	18 K4K
400 Tourer (XW)	1.8 i	06.96 - 11.98	107	18 K4K

CL709



1 coil per cylinder

JEEP

		OEM-No.	
		CHRYSLER 56028138	
		56028138AB	
		56028138AD	
		56028138AE	
		56028138AF	
Cherokee (KJ)	3.7 Laredo	10.01 - 09.04	150 EKG
	3.7 V6	08.03 -	150 EKG
	3.7 V6	09.01 -	155 EKG
Commander	3.7 V6	09.05 -	157 EKG
	4.7 V8	09.05 -	170 EVA
Grand Cherokee II	3.7 Laredo	10.04 - 09.05	157 EKG
	4.7 V8	04.99 - 08.00	162 EVA
	4.7 V8	08.00 -	164 EVA
	4.7	10.04 -	167 EVA
	4.7 V8 4x4	06.03 -	167 EVA
	4.7 V8	10.01 -	190 EVC
Grand Cherokee III (WH)	3.7 V6	06.05 -	157
	4.7 V8	06.05 -	170 EVA

CL710



SAAB

		OEM-No.	
		SAAB 9178955	
		55561132	
9-3 (YS3D)	2.0 Turbo	10.98 - 09.02	113 B204E
	2.0 Turbo	02.98 - 09.02	136 B205L/B204L
	2.0 Turbo	10.99 - 09.02	151 B205R
	2.3 i	02.98 - 09.02	110 B234I
	2.3 Turbo	10.98 - 09.02	165 B235R
9-3 (YS3F)	1.8 i	01.04 -	90 Z 18 XE
	1.8 T	09.02 -	110 B207E
	1.8 T Bio Power	05.09 -	129 B207L
	2.0 T	09.02 -	129 B207L
	2.0 T	09.02 -	154 B207R
	2.0 T	05.09 -	177
	2.0 T XWD	01.07 -	120
	2.0 Turbo XWD	09.02 -	154 B207R
	2.0 T Bio Power	01.07 -	129 B207L
	2.0 T Bio Power	05.09 -	147
	2.0 T Bio Power	09.02 -	154 B207R
	2.0 T Bio P. XWD	01.11 -	120
	2.0 T Bio P. XWD	09.02 -	154 B207R
9-3 Combi	1.8 i	03.05 -	90 Z 18 XE
	1.8 T	03.05 -	110 B207E
	2.0 T	03.05 -	110 B207E

CL710

		OEM-No.		
		SAAB		
9-3 Combi	2.0 T	03.05 -	129 B207L	
	2.0 T	02.09 -	147	
	2.0 T	03.05 -	154 B207R	
	2.0 T XWD	06.08 -	154 B207R	
	2.0 T Bio Power	01.07 -	129 B207L	
	2.0 T Bio Power	02.09 -	147	
	2.0 T Bio P. XWD	06.08 -	154 B207R	
	900 II	2.0 i	08.94 - 02.98	96 B204I
		2.0 -16 Turbo	07.93 - 02.98	136 B204L
900 II Cabriolet	2.0 i	12.93 - 02.98	96 B204I	
	2.0 -16 Turbo	12.93 - 02.98	136 B204L	
900 II Coupe	2.0 i	08.94 - 02.98	96 B204I	
	2.0 i	12.93 - 07.94	98 B206I	
	2.0 -16 Turbo	12.93 - 02.98	136 B204L	
9000	2.0 -16	01.89 - 01.93	94 B202I	
	2.0 -16 CD	09.93 - 12.98	96 B204I	
	2.0 -16 Turbo CD	09.92 - 12.98	108 B204E/B202S	
	2.0 -16 CD	09.93 - 12.98	110 B204S/B204E	
	2.0 -16 Turbo	05.88 - 08.93	118 B202XL	
	2.0 -16 Turbo CD	09.88 - 08.93	120 B202XL	
	2.0 -16 Turbo	04.85 - 12.91	129 B202XL	
	2.0 -16 Turbo CD	09.89 - 12.98	136 B202L	
	2.3 -16 CD	08.89 - 12.98	107 B234I	
	2.3 -16 CDE	09.93 - 12.98	108 B234I	
	2.3 -16 CDE E. P.	09.93 - 12.98	125 B234E	
	2.3 -16 Turbo	09.90 - 08.93	143 B234L	
	2.3 -16 CD Turbo	07.90 - 12.98	147 B234L	
	9000 CC	2.0 -16	12.85 - 12.88	92 B202XI (KAT)
		2.0 -16	12.85 - 08.88	94 B202XI
		2.0 -16 CS	01.89 - 12.98	94 B202I
		2.0 -16 CS	09.93 - 12.98	96 B204I
		2.0 -16 ND Turbo	09.93 - 12.98	110 B204S/B204E/B202S
		2.0 -16 Turbo	09.84 - 08.93	118 B202XL
		2.0 -16 Turbo	05.88 - 08.93	120 B202XL
2.0 -16 Turbo		09.84 - 12.91	129 B202XL	
2.0 -16 Turbo CS		09.88 - 12.98	136 B202L	
2.3 -16 CS		09.89 - 12.98	107 B234I	
2.3 -16 CSE		09.93 - 12.98	108 B234I	
2.3 -16 CSE E. P.		09.93 - 12.98	125 B234E	
2.3 -16 Turbo		09.90 - 12.98	143 B234L	
2.3 -16 Turbo CSE		09.93 - 12.98	147 B234L	
2.3 -16 Aero CS		02.93 - 12.98	162 B234R	
2.3 -16 Aero CS	02.93 - 12.98	165 B234R		

CL711



2 coils and ignition lead set T565B

LANDROVER

		OEM-No.	
		LANDROVER NEC000120L	
		ROVER NEC000120	
		NEC100730	
		NEC100730L	
Freelander (LN)	1.8 16V	11.00 -	86 18 K4F

CL711



CL711

ROVER

45 (RT)	1.4	02.00 -	76	14 K4F
	1.6	02.00 -	80	16 K4F
45 Sedan (RT)	1.4	02.00 -	76	14 K4F
	1.6	02.00 -	80	16 K4F
75 (RJ)	1.8	02.99 -	88	K 1.8
	1.8 Turbo	05.03 -	110	
75 Tourer (RJ)	1.8	08.01 -	88	K 1.8
	1.8 Turbo	05.03 -	110	
214 Cabriolet (XW)	1.4i 16V	01.93 - 11.99	76	14 K4F

CL800



OEM-No.
VAZ 211203705010
21120370501010
2112-3705010-10

1 coil per cylinder

VAZ

1119 Kalina Hatchback	1.4i 16V	11.08 -	66	VAZ-11194
	1.4i 16V LPG	11.08 -	65	
1118 Kalina Sedan	1.4i 16V	11.08 -	66	VAZ-11194
	1.4i 16V LPG	11.08 -	65	
1117 Kalina Combi	1.4i 16V	11.08 -	66	VAZ-11194
	1.4i 16V LPG	11.08 -	65	
2110 Lada 110	1.6i 16V	01.00 -	66	VAZ-21124
2111 Lada 111	1.6i 16V	01.05 -	66	VAZ-21124
2112 Lada 112	1.6i 16V	01.05 -	66	VAZ-21124
2172 Priora Hatchback	1.6i 16V	12.08 -	72	VAZ-21126
	1.6i 16V LPG	12.08 -	71	
2170 Priora Sedan	1.6i 16V	12.08 -	72	VAZ-21126
	1.6i 16V LPG	03.09 -	71	
2171 Priora Combi	1.6i 16V	10.09 -	72	VAZ-21126

CL801



OEM-No.
042.3705
VAZ 2112-3705010-02
2112-3705010-03
2112-3705010-07

VAZ

21102 Lada 110	1.5i 8V	01.95 -	57	VAZ-2111
2111 Lada 111	1.5i 8V	01.96 -	57	VAZ-2111
21122 Lada 112	1.5i 8V	01.95 -	57	VAZ-2111
21099 Samara	1.5i 8V	04.96 -	57	VAZ-2111
2113 Samara 2	1.5i 8V	01.00 -	57	VAZ-2111
2114 Lada 114	1.5i 8V	01.00 -	57	VAZ-2111

CL801

VAZ

2115 Lada 115	1.5i 8V	01.00 -	57	VAZ-2111
---------------	---------	---------	----	----------

CL802



OEM-No.
4601.3705
VAZ 21113705010
21113745010
21110-3705010
21110-3705010-03

VAZ

1119 Kalina Hatchback	1.6i 8V	10.04 -	60	VAZ-21114
1118 Kalina Sedan	1.6i 8V	10.04 -	60	VAZ-21114
1117 Kalina Combi	1.6i 8V	10.04 -	60	VAZ-21114
21101 Lada 110	1.6i 8V	01.00 -	60	VAZ-21114
21112 Lada 111	1.6i 8V	01.05 -	60	VAZ-21114
21121 Lada 112	1.6i 8V	01.05 -	60	VAZ-21114

CL900



OEM-No.
NISSAN 22448-1KCOA

1 coil per cylinder

NISSAN

Juke	1.6 DIG-T	06.10 -	140	MR16DDT
	1.6 DIG-T 4x4	06.10 -	140	MR16DDT

CL901



OEM-No.
HYUNDAI 27301-23900
KIA 27301-23900

HYUNDAI

i30	2.0	10.07 -	105	G4GC-G/G4GC
-----	-----	---------	-----	-------------

KIA

Cee'd (ED)	2.0	12.06 -	105	G4GC
------------	-----	---------	-----	------

CL902

OEM-No.
HYUNDAI 27300-3F100
KIA 27300-3F100



1 coil per cylinder

HYUNDAI

Centennial	4.5	10.99 - 09.03	195	8A80
------------	-----	---------------	-----	------

KIA

Magentis (MG)	2.0	07.09 -	121	G4KD
Sportage (SL)	2.0 CVVT	07.10 -	120	G4KD
	2.0 CVVT AWD	07.10 -	120	G4KD

CL903

OEM-No.
KIA 27301-04000



1 coil per cylinder

KIA

Picanto (TA)	1.0	05.11 -	51
	1.0 Bi-Fuel	05.11 -	60

CL904

OEM-No.
HYUNDAI 27301-03110
KIA 27301-03110



1 coil per cylinder

HYUNDAI

i10	1.2	11.08 -	57	G4LA
i20 (PB, PBT)	1.2	09.08 -	57	G4LA

KIA

Picanto (TA)	1.2	09.11 -	63
--------------	-----	---------	----

CL905

OEM-No.
MAZDA ZJ20-18-100
ZJ20-18-100A



1 coil per cylinder

MAZDA

2 (DE)	1.3	10.07 -	55	ZJ-VE
	1.3	10.07 -	63	ZJ-VE
	1.4 MZR-CD	01.08 -	50	
3 (BL)	1.5	10.07 -	76	ZY-DE/ZY-VE
	1.6 MZR	06.09 -	77	Z6
3 Sedan (BK)	1.6 MZR CD	11.10 -	85	
	1.6	02.04 -	77	Z6
3 Sedan (BL)	1.6 MZR	06.09 -	77	Z6

CL906

PIN
OEM-No.
MAZDA L81318100



MAZDA

6 (GG)	1.8	08.02 -	88	L813
	2.0	06.02 -	104	LF18/LF17
6 Hatchback (GG)	1.8	08.02 -	88	L813
	2.0	08.02 -	104	LF18/LF17
6 Station Wagon (GY)	1.8	08.02 -	88	L813
	2.0	08.02 -	104	LF18/LF17
MPV II (LW)	2.3	07.02 -	104	L3

CL907

DIN	OEM-No.
	DAIHATSU 90048-52083-000
	90048-52088-000
	90048-52094-000
	MITSUBISHI MD309455



DAIHATSU

Applause I (A101, A111)	1.6 16V	07.92 - 07.97	77	HD-E
	1.6 16V 4WD	07.92 - 07.97	77	HD-E
Feroza Soft Top (F300)	1.6 16V	06.92 -	63	HDC
	1.6i 16V	01.90 -	70	HD-E
Feroza Hard Top (F300)	1.6 16V	06.92 -	63	HDC
	1.6i 16V	01.90 -	70	HD-E

MITSUBISHI

Space Gear	2.0 16V	08.96 - 05.00	83	4 G 63 (DOHC 16V)
L 300 Bus	2.0 4WD	12.86 -	65	4G63 (SOHC 8V)
	2.0 4WD	11.86 -	66	4G63 (SOHC 8V)
L 300 Flatbed (P1_T)	2.0	07.94 -	85	4 G 63 (DOHC 16V)

Cross references

Таблицы сравнения

Srovnávací tabulky

ALFA ROMEO	TESLA	BBT	TESLA	BBT	TESLA	BBT	TESLA	BERU	TESLA
46467542	CL318	IC07104	CL200	IC15112	CL122	IC17107	CL575	0040100255	CL137
46469863	CL305	IC07105	CL203	IC15113	CL124	IC17108	CL502	0040100256	CL113
46755605	CL307	IC07106	CL213	IC15114	CL129	IC17109	CL503	0040100257	CL114
46794782	CL321	IC07107	CL214	IC15115	CL118	IC17110	CL525	0040100258	CL129
55212624	CL324	IC07108	CL218	IC15116	CL137	IC17111	CL526	0040100259	CL202
60558152	CL302	IC07109	CL221	IC15116	CL101	IC17112	CL514	0040100261	CL525
60562701	CL320	IC07110	CL219	IC15117	CL102	IC17113	CL520	0040100262	CL515
60586072	CL319	IC07111	CL210	IC15118	CL123	IC17114	CL515	0040100263	CL508
60805420	CL300	IC07112	CL222	IC15119	CL131	IC17116	CL528	0040100264	CL502
60809492	CL300	IC07113	CL209	IC15120	CL116	IC17117	CL527	0040100265	CL526
60809606	CL302	IC07115	CL215	IC15121	CL127	IC17119	CL551	0040100266	CL523
60810690	CL320	IC07116	CL229	IC15123	CL132	IC17120	CL524	0040100267	CL503
71739725	CL221	IC07117	CL230	IC15124	CL140	IC17121	CL546	0040100268	CL539
76487970	CL302	IC07118	CL224	IC15125	CL135	IC17122	CL565	0040100269	CL528
7793212	CL306	IC07119	CL212	IC15126	CL104	IC17123	CL555	0040100270	CL527
BBT		IC07120	CL232	IC15127	CL141	IC17124	CL572	0040100274	CL559
IC01100	CL121	IC07121	CL223	IC15128	CL112	IC17126	CL905	0040100275	CL501
IC01101	CL410	IC07122	CL217	IC15129	CL133	IC17130	CL581	0040100276	CL500
IC01102	CL119	IC09101	CL615	IC15130	CL138	IC18100	CL400	0040100277	CL509
IC03100	CL001	IC09102	CL601	IC15131	CL139	IC18101	CL401	0040100278	CL560
IC03101	CL003	IC09103	CL600	IC15133	CL105	IC18103	CL408	0040100279	CL506
IC03102	CL005	IC09107	CL602	IC15135	CL150	IC18104	CL405	0040100281	CL400
IC03103	CL014	IC09108	CL603	IC15136	CL115	IC18105	CL406	0040100282	CL543
IC03104	CL002	IC09109	CL619	IC15138	CL152	IC18106	CL403	0040100283	CL300
IC03105	CL018	IC09111	CL623	IC15140	CL151	IC18107	CL407	0040100295	CL604
IC03106	CL004	IC10101	CL305	IC16100	CL500	IC18108	CL404	0040100296	CL609
IC03108	CL006	IC10102	CL307	IC16101	CL501	ZK15102	CL110	0040100297	CL605
IC03109	CL019	IC10103	CL306	IC16102	CL508	ZK15104	CL130	0040100298	CL612
IC03109	CL318	IC10104	CL321	IC16103	CL535	ZK15106	CL111	0040100299	CL613
IC03111	CL015	IC10105	CL320	IC16104	CL536	ZK15122	CL134	0040100300	CL219
IC03112	CL022	IC10106	CL319	IC16105	CL538	ZK15132	CL120	0040100301	CL210
IC03113	CL010	IC11100	CL201	IC16106	CL537	ZK15134-075	CL149	0040100304	CL607
IC03114	CL007	IC11101	CL211	IC16107	CL509	ZK15137	CL117	0040100306	CL222
IC03115	CL021	IC11102	CL220	IC16108	CL547	BERU		0040100307	CL615
IC03118	CL023	IC11103	CL204	IC16109	CL557	0040100014	CL601	0040100308	CL404
IC03119	CL028	IC11104	CL225	IC16110	CL505	0040100016	CL004	0040100309	CL305
IC03120	CL020	IC12101	CL700	IC16111	CL510	0040100029	CL312	0040100310	CL317
IC03122	CL009	IC12102	CL702	IC16112	CL511	0040100037	CL020	0040100311	CL318
IC03123	CL016	IC13100	CL300	IC16113	CL554	0040100041	CL616	0040100315	CL123
IC03124	CL029	IC13101	CL304	IC16114	CL521	0040100052	CL100	0040100317	CL124
IC03125	CL024	IC13102	CL308	IC16115	CL522	0040100053	CL618	0040100318	CL125
IC04100	CL613	IC13103	CL316	IC16117	CL532	0040100068	CL702	0040100319	CL126
IC04101	CL611	IC13104	CL315	IC16118	CL541	0040100077	CL622	0040100320	CL301
IC04102	CL604	IC13105	CL312	IC16119	CL529	0040100079	CL309	0040100321	CL311
IC04104	CL609	IC13106	CL301	IC16120	CL531	0040100127	CL208	0040100322	CL310
IC04105	CL612	IC13107	CL310	IC16121	CL544	0040100231	CL106	0040100323	CL105
IC04106	CL607	IC13110	CL317	IC16123	CL556	0040100234	CL302	0040100324	CL602
IC04107	CL616	IC13111	CL311	IC16124	CL566	0040100241	CL127	0040100325	CL150
IC04108	CL606	IC13112	CL302	IC16125	CL534	0040100242	CL128	0040100337	CL521
IC04109	CL605	IC13113	CL314	IC16127	CL592	0040100243	CL102	0040100338	CL215
IC04110	CL610	IC13114	CL309	IC16129	CL900	0040100244	CL304	0040100339	CL614
IC04111	CL617	IC13116	CL323	IC16131	CL584	0040100245	CL103	0040100340	CL606
IC04112	CL618	IC15100	CL100	IC16132	CL903	0040100246	CL101	0040100341	CL107
IC04113	CL622	IC15101	CL106	IC16133	CL904	0040100247	CL108	0040100342	CL203
IC04114	CL621	IC15103	CL107	IC16134	CL595	0040100248	CL308	0040100343	CL140
IC06100	CL710	IC15105	CL113	IC17100	CL506	0040100249	CL109	0040100344	CL207
IC06101	CL705	IC15107	CL103	IC17101	CL519	0040100250	CL122	0040100345	CL131
IC07100	CL207	IC15108	CL128	IC17102	CL513	0040100251	CL118	0040100346	CL132
IC07101	CL206	IC15109	CL108	IC17103	CL580	0040100252	CL205	0040100347	CL135
IC07102	CL202	IC15110	CL114	IC17104	CL568	0040100253	CL206	0040100348	CL112
IC07103	CL205	IC15111	CL109	IC17105	CL571	0040100254	CL136	0040100349	CL115

R

BERU	TESLA	BERU	TESLA	BOSCH	TESLA	BOSCH	TESLA	BOUGICORD	TESLA
0040100350	CL401	ZSE031	CL009	0 221 502 002	CL514	0 986 221 002	CL019	151408	CL150
0040100351	CL133	ZSE033	CL011	0 221 502 429	CL609	0 986 221 003	CL312	154301	CL110
0040100352	CL138	ZSE039	CL008	0 221 502 431	CL614	0 986 221 004	CL502	154302	CL111
0040100353	CL139	ZSE040	CL007	0 221 502 433	CL612	0 986 221 005	CL523	154303	CL120
0040100354	CL116	ZSE043	CL005	0 221 502 435	CL613	0 986 221 006	CL519	155001	CL317
0040100356	CL513	BMW		0 221 503 001	CL219	0 986 221 007	CL616	155002	CL306
0040100358	CL213	1 404 309	CL600	0 221 503 002	CL210	0 986 221 008	CL503	155003	CL213
0040100359	CL217	1 703 227	CL600	0 221 503 010	CL209	0 986 221 010	CL508	155004	CL604
0040100361	CL307	1 703 825	CL600	0 221 503 014	CL213	0 986 221 011	CL004	155005	CL318
0040100372	CL411	1 720 166	CL601	0 221 503 015	CL214	0 986 221 012	CL525	155006	CL307
0040100501	CL711	1 726 176	CL601	0 221 503 017	CL222	0 986 221 015	CL021	155007	CL702
0040100502	CL708	1 726 177	CL601	0 221 503 022	CL607	0 986 221 017	CL020	155009	CL405
0040100511	CL558	1 726 178	CL601	0 221 503 024	CL106	0 986 221 018	CL515	155010	CL401
0040102002	CL620	1 726 178B	CL601	0 221 503 025	CL107	0 986 221 020	CL528	155011	CL400
0040102013	CL030	1 730 765	CL601	0 221 503 026	CL229	0 986 221 023	CL003	155012	CL010
0040102019	CL121	1 731 134	CL601	0 221 503 027	CL230	0 986 221 024	CL005	155013	CL128
0040102020	CL315	1 731 178B	CL601	0 221 503 031	CL223	0 986 221 025	CL128	155014	CL102
0040102021	CL510	1 748 017	CL600	0 221 503 033	CL610	0 986 221 026	CL102	155015	CL123
0040102025	CL201	1 748 018	CL600	0 221 503 035	CL605	0 986 221 027	CL304	155016	CL116
0040102026	CL200	1 748 394	CL601	0 221 503 407	CL302	0 986 221 028	CL308	155017	CL300
0040102029	CL010	1 777 666	CL601	0 221 503 457	CL319	0 986 221 029	CL109	155018	CL136
0040102030	CL003	12 131 247 281	CL615	0 221 503 468	CL218	0 986 221 030	CL136	155019	CL137
0040102031	CL022	12 131 317 232	CL601	0 221 503 469	CL226	0 986 221 031	CL137	155020	CL310
0040102032	CL015	12 131 402 440	CL601	0 221 503 471	CL217	0 986 221 032	CL509	155021	CL135
0040102033	CL011	12 131 402 713	CL601	0 221 503 472	CL215	0 986 221 033	CL123	155022	CL214
0040102037	CL119	12 131 404 102	CL601	0 221 503 473	CL232	0 986 221 034	CL110	155023	CL311
0040102039	CL008	12 131 404 309	CL600	0 221 503 485	CL403	0 986 221 035	CL111	155024	CL710
0040102039	CL009	12 131 703 227	CL600	0 221 503 487	CL406	0 986 221 036	CL130	155025	CL124
0040102040	CL007	12 131 703 228	CL600	0 221 503 489	CL615	0 986 221 037	CL313	155026	CL001
0040102043	CL005	12 131 703 359	CL601	0 221 503 490	CL409	0 986 221 038	CL316	155027	CL112
0040102044	CL016	12 131 703 825	CL600	0 221 504 001	CL617	0 986 221 039	CL202	155028	CL520
0040102045	CL104	12 131 712 219	CL602	0 221 504 006	CL317	0 986 221 040	CL618	155029	CL215
0040102046	CL141	12 131 712 223	CL602	0 221 504 014	CL318	0 986 221 042	CL301	155030	CL132
0040102046	CL149	12 131 720 166	CL601	0 221 504 017	CL521	0 986 221 044	CL711	155031	CL133
0040102047	CL111	12 131 726 176	CL601	0 221 504 019	CL522	0 986 221 046	CL150	155032	CL104
0040102048	CL120	12 131 726 177	CL601	0 221 504 020	CL542	0 986 JG1 211	CL510	155033	CL107
0040102055	CL410	12 131 726 178	CL601	0 221 504 024	CL323	0 986 JG1 212	CL511	155034	CL106
0040102056	CL554	12 131 727 108	CL601	0 221 504 030	CL153	0 986 JG1 224	CL586	155035	CL522
0040102061	CL029	12 131 729 842	CL601	0 221 504 456	CL320	0 986 JG1 225	CL585	155036	CL610
0040102062	CL017	12 131 730 765	CL601	0 221 504 460	CL311	1 227 030 059	CL306	155037	CL521
0040102063	CL023	12 131 730 766	CL601	0 221 504 461	CL800	1 227 030 062	CL305	155038	CL203
0040102065	CL024	12 131 731 134	CL601	0 221 504 464	CL602	1 227 030 071	CL307	155039	CL221
0040102066	CL152	12 131 731 884	CL601	0 221 504 465	CL623	1 227 030 082	CL601	155040	CL138
0040103007	CL611	12 131 734 468	CL601	0 221 504 470	CL603	9 220 081 505	CL122	155041	CL139
0040402001	CL001	12 131 748 017	CL600	0 221 504 471	CL619	F 000 Z50 001	CL208	155042	CL140
0040402002	CL019	12 131 748 018	CL600	0 221 504 473	CL800	F 000 Z50 103	CL300	155043	CL141
0040402003	CL002	12 131 748 394	CL601	0 221 505 423	CL404	F 000 Z50 111	CL206	155044	CL404
0040402004	CL021	12 131 748 395	CL601	0 221 505 437	CL611	F 000 Z50 112	CL205	155045	CL217
0040402007	CL006	12 131 777 666	CL601	0 221 506 002	CL606	F 000 Z50 113	CL114	155046	CL218
0040402008	CL026	12 137 523 345	CL623	0 221 506 444	CL604	F 000 Z50 114	CL108	155047	CL508
0040402009	CL014	12 137 548 553	CL623	0 221 601 012	CL119	F 000 Z50 115	CL118	155048	CL201
0040402010	CL540	12 137 551 260	CL602	0 221 603 003	CL028	F 000 Z50 116	CL501	155049	CL602
0040402011	CL519	12 137 562 744	CL603	0 221 603 010	CL002	F 000 Z50 117	CL513	155050	CL131
ZSE001	CL001	12 137 571 643	CL603	0 221 604 006	CL407	F 000 Z50 121	CL568	155051	CL312
ZSE003	CL002	12 137 571 644	CL619	0 221 604 008	CL121	F 000 Z50 211	CL802	155052	CL200
ZSE007	CL006	12 137 582 627	CL619	0 221 604 010	CL410	F 000 Z50 212	CL400	155053	CL220
ZSE009	CL014	12 137 703 359	CL601	0 221 604 014	CL554	BOUGICORD		155054	CL016
ZSE012	CL620	12 139 066 468	CL601	0 221 604 103	CL321	151401	CL130	155055	CL115
ZSE016	CL004	BOSCH		0 221 604 109	CL011	151402	CL117	155056	CL304
ZSE029	CL010	0 221 119 023	CL228	0 986 221 000	CL001	151405	CL134	155057	CL207
ZSE030	CL003	0 221 122 399	CL018	0 986 221 001	CL100	151406	CL149	155058	CL313

BOUGICORD	TESLA	BOUGICORD	TESLA	BREMI	TESLA	BREMI	TESLA	DAEWOO	TESLA
155059	CL109	155138	CL554	11900	CL313	20180	CL618	0001587503	CL606
155060	CL122	155139	CL616	11914	CL588	20181	CL210	01115467	CL211
155061	CL118	155140	CL555	11915	CL501	20182	CL127	1115467	CL211
155062	CL205	155141	CL579	11917	CL122	20183	CL104	93363483	CL220
155063	CL129	155142	CL564	11922	CL207	20184	CL214	94582699	CL231
155064	CL206	155143	CL152	11925	CL563	20185	CL622	96165049	CL211
155066	CL501	155146	CL323	11927	CL504	20186	CL121	96253555	CL220
155067	CL700	155147	CL412	11929	CL312	20187	CL315	96291054	CL216
155068	CL519	155148	CL151	11930	CL136	20188	CL609	96320818	CL204
155069	CL019	155200	CL600	11931	CL137	20189	CL215	96336522	CL204
155070	CL607	155500	CL004	11935	CL700	20190	CL404	96350585	CL201
155071	CL513	155900	CL006	20110	CL602	20191	CL520	96453420	CL225
155072	CL605	156100	CL002	20111	CL100	20192	CL536	96566260	CL220
155073	CL119	156200	CL100	20112	CL022	20193	CL203	DAIHATSU	
155074	CL309	156300	CL202	20113	CL005	20194	CL708	19070-B1020	CL587
155075	CL403	156500	CL113	20115	CL017	20195	CL610	19500-87201	CL563
155076	CL302	156600	CL105	20116	CL009	20197	CL318	19500-87201-000	CL563
155077	CL611	156800	CL127	20117	CL003	20198	CL561	19500-87202	CL563
155078	CL212	157000	CL314	20120	CL011	20199	CL613	90048-52070	CL563
155079	CL204	157100	CL315	20121	CL023	20200	CL124	90048-52072	CL563
155080	CL211	157200	CL007	20122	CL016	20301	CL578	90048-52072-000	CL563
155081	CL316	157300	CL301	20124	CL024	20303	CL406	90048-52077	CL563
155082	CL108	157400	CL003	20129	CL010	20304	CL503	90048-52078	CL563
155083	CL114	157500	CL005	20130	CL014	20305	CL570	90048-52079	CL563
155084	CL018	157600	CL014	20131	CL510	20306	CL135	90048-52083-000	CL907
155085	CL609	157700	CL015	20132	CL021	20307	CL606	90048-52084	CL563
155086	CL500	157800	CL022	20133	CL030	20308	CL907	90048-52085	CL563
155087	CL510	157900	CL011	20135	CL515	20310	CL209	90048-52086	CL563
155088	CL121	BREMI		20136	CL202	20312	CL320	90048-52088-000	CL907
155089	CL219	11719	CL131	20137	CL525	20313	CL405	90048-52091	CL563
155091	CL502	11720	CL116	20138	CL201	20314	CL542	90048-52093	CL563
155092	CL511	11722	CL128	20139	CL408	20315	CL505	90048-52093-000	CL563
155093	CL524	11723	CL102	20140	CL569	20316	CL132	90048-52094-000	CL907
155094	CL503	11731	CL002	20142	CL123	20317	CL553	90048-52095	CL563
155095	CL320	11732	CL615	20143	CL523	20319	CL612	90048-52095-000	CL563
155096	CL509	11856T	CL601	20145	CL616	20320	CL112	90048-52098	CL563
155097	CL021	11860T	CL600	20148	CL574	20321	CL217	90048-52099	CL563
155098	CL615	11866T	CL006	20149	CL535	20322	CL511	DELPHI	
155099	CL515	11869	CL004	20150	CL512	20323	CL555	CE10000-12B1	CL202
155100	CL601	11873	CL605	20151	CL557	20324	CL537	CE10001-12B1	CL212
155103	CL017	11875	CL400	20152	CL580	20325	CL538	CE10020-12B1	CL124
155104	CL009	11876	CL206	20153	CL611	20326	CL528	CE10021-12B1	CL136
155105	CL008	11877	CL118	20155	CL401	20327	CL521	CE10023-12B1	CL001
155106	CL023	11878	CL108	20156	CL110	20330	CL547	CE10027-12B1	CL702
155107	CL224	11879	CL114	20157	CL607	20332	CL568	CE10510-12B1	CL206
155109	CL024	11880	CL109	20158	CL560	20333	CL583	CE10512-12B1	CL711
155111	CL029	11881	CL106	20159	CL026	20334	CL138	CE10513-12B1	CL539
155112	CL030	11882	CL107	20160	CL200	20335	CL213	CE20009-12B1	CL221
155113	CL546	11883	CL302	20161	CL111	20336	CL317	CE20010-12B1	CL110
155114	CL507	11884	CL129	20163	CL513	20337	CL592	CE20011-12B1	CL111
155115	CL216	11885	CL506	20164	CL524	20338	CL306	CE20014-12B1	CL100
155118	CL551	11886	CL500	20167	CL130	20339	CL546	CE20015-12B1	CL117
155119	CL541	11887	CL508	20168	CL119	20340	CL115	CE20017-12B1	CL130
155120	CL523	11888	CL509	20169	CL219	20345	CL117	CE20018-12B1	CL134
155121	CL530	11889	CL559	20170	CL502	20346	CL576	CE20019-12B1	CL004
155125	CL534	11890	CL543	20172	CL711	20353	CL906	CE20020-12B1	CL115
155127	CL028	11892	CL019	20173	CL519	20361	CL589	CE20024-12B1	CL113
155129	CL146	11893	CL001	20174	CL305	DACIA		CE20026-12B1	CL127
155134	CL321	11896	CL205	20175	CL307	60 00 592 931	CL117	CE20029-12B1	CL007
155135	CL542	11898	CL304	20176	CL403	60 01 543 604	CL116	CE20029-12B1	CL008
155136	CL603	11899	CL300	20179	CL222	60 01 544 755	CL117	CE20030-12B1	CL003

DELPHI	TESLA	ERA	TESLA	ERA	TESLA	ERA	TESLA	ERA	TESLA
CE20034-12B1	CL011	880028	CL118	880092	CL117	880159	CL536	880250	CL562
CE20035-12B1	CL317	880029	CL205	880093	CL311	880160	CL537	880253	CL563
CE20036-12B1	CL306	880030	CL018	880094	CL008	880161	CL538	880255	CL564
CE20038-12B1	CL604	880031	CL129	880095	CL135	880162	CL539	880256	CL575
CE20039-12B1	CL318	880032	CL206	880096	CL610	880163	CL540	880257	CL577
CE20040-12B1	CL307	880033	CL007	880097	CL605	880164	CL541	880258	CL556
CE20043-12B1	CL405	880034	CL110	880098	CL521	880165	CL612	880259	CL584
CE20044-12B1	CL401	880035	CL111	880099	CL522	880166	CL009	880260	CL231
CE20046-12B1	CL128	880036	CL130	880100	CL119	880169	CL407	880264	CL585
CE20047-12B1	CL102	880037	CL014	880101	CL215	880171	CL210	880266	CL583
CE20048-12B1	CL116	880038	CL301	880102	CL317	880172	CL229	880268	CL029
CE20053-12B1	CL122	880039	CL202	880103	CL403	880173	CL230	880269	CL017
CE20054-12B1	CL105	880040	CL200	880107	CL602	880174	CL223	880270	CL023
CE20055-12B1	CL123	880042	CL316	880108	CL318	880175	CL542	880271	CL569
CE20056-12B1	CL310	880043	CL312	880109	CL302	880176	CL224	880272	CL586
CE20057-12B1	CL311	880044	CL201	880110	CL611	880179	CL613	880273	CL565
CE20058-12B1	CL300	880045	CL600	880112	CL507	880180	CL606	880274	CL152
CE20060-12B1	CL109	880046	CL601	880113	CL211	880182	CL408	880277	CL587
CE20061-12B1	CL312	880047	CL604	880114	CL216	880183	CL543	880278	CL323
CE20062-12B1	CL301	880048	CL400	880115	CL136	880184	CL544	880281	CL580
DS10000-12B1	CL200	880049	CL401	880116	CL137	880185	CL504	880284	CL617
DS20013-12B1	CL201	880050	CL609	880117	CL120	880186	CL505	880287	CL026
DS20026-11B1	CL224	880051	CL123	880118	CL138	880187	CL545	880291	CL412
GN10018-11B1	CL002	880052	CL500	880119	CL139	880188	CL546	880293	CL410
GN10024-11B1	CL509	880053	CL501	880120	CL140	880189	CL225	880295	CL411
GN10028-11B1	CL559	880054	CL506	880121	CL141	880190	CL547	880297	CL706
GN10068-11B1	CL501	880055	CL508	880123	CL404	880191	CL711	880298	CL595
GN10142-12B1	CL706	880056	CL131	880124	CL511	880192	CL614	880299	CL016
GN10171-12B1	CL569	880057	CL700	880125	CL217	880193	CL409	880300	CL324
GN10175-12B1	CL578	880058	CL116	880126	CL405	880194	CL512	880302	CL592
GN10191-12B1	CL547	880059	CL519	880127	CL406	880195	CL021	880307	CL578
GN10195-12B1	CL009	880060	CL124	880128	CL306	880196	CL548	880311	CL582
GN10205-12B1	CL403	880061	CL019	880129	CL305	880197	CL549	880314	CL593
GN10210-12B1	CL602	880062	CL607	880130	CL218	880198	CL226	880319	CL901
GN10211-12B1	CL302	880063	CL203	880131	CL319	880200	CL603	880320	CL902
GN10239-12B1	CL151	880064	CL011	880132	CL320	880201	CL550	880326	CL903
GN10240-12B1	CL135	880065	CL015	880133	CL121	880202	CL514	880327	CL904
ERA		880066	CL022	880134	CL321	880203	CL551	880334	CL581
880001	CL001	880067	CL702	880135	CL020	880205	CL553	FACET	
880003	CL002	880068	CL310	880136	CL208	880206	CL125	9.6004	CL316
880005	CL010	880070	CL204	880137	CL219	880207	CL509	9.6005	CL108
880006	CL003	880071	CL520	880138	CL523	880208	CL615	9.6006	CL114
880007	CL005	880072	CL513	880139	CL502	880211	CL150	9.6007	CL118
880008	CL300	880073	CL112	880140	CL524	880213	CL554	9.6008	CL304
880009	CL100	880074	CL006	880141	CL503	880214	CL589	9.6035	CL400
880010	CL314	880075	CL212	880142	CL525	880216	CL590	9.6040	CL206
880011	CL315	880076	CL510	880143	CL526	880220	CL705	9.6046	CL300
880012	CL304	880077	CL402	880144	CL527	880222	CL557	9.6048	CL313
880013	CL106	880078	CL213	880145	CL515	880223	CL573	9.6054	CL228
880014	CL107	880079	CL307	880146	CL528	880224	CL558	9.6055	CL109
880015	CL207	880080	CL214	880147	CL529	880225	CL559	9.6056	CL129
880016	CL113	880081	CL004	880148	CL530	880226	CL708	9.6058	CL308
880017	CL127	880082	CL710	880149	CL531	880230	CL560	9.60625	CL601
880018	CL103	880084	CL132	880150	CL532	880240	CL616	9.6068	CL302
880019	CL101	880085	CL104	880151	CL220	880241	CL571	9.6070	CL408
880020	CL128	880086	CL115	880152	CL533	880243	CL555	9.6078	CL609
880021	CL102	880087	CL133	880153	CL221	880244	CL576	9.6088	CL107
880023	CL108	880088	CL134	880155	CL534	880245	CL579	9.6089	CL106
880024	CL114	880089	CL105	880156	CL209	880246	CL566	9.6096	CL123
880026	CL109	880090	CL308	880157	CL222	880247	CL561	9.6098	CL568
880027	CL122	880091	CL309	880158	CL535	880248	CL907	9.6099	CL513

FACET	TESLA	FACET	TESLA	FEBI BILSTEIN	TESLA	FIAT	TESLA	FORD	TESLA
9.6101	CL588	9.6334	CL016	28657	CL519	60810690	CL320	4M5G 12029 ZB	CL403
9.6102	CL574	9.6335	CL023	28658	CL520	71739285	CL224	4M5G 12A366 BA	CL405
9.6103	CL578	9.6337	CL024	29147	CL600	71739725	CL221	4M5G 12A366 BB	CL405
9.6113	CL500	9.6342	CL310	29319	CL010	71742420	CL561	4M5G 12A366 BC	CL405
9.6114	CL501	9.6350	CL221	29412	CL004	76262320	CL300	4M5G 12A366 BD	CL405
9.6115	CL560	9.6357	CL550	30261	CL515	76487970	CL302	457G 12029 AA	CL406
9.6119	CL204	9.6358	CL564	30266	CL204	96228897	CL107	457G 12029 AB	CL406
9.6120	CL558	9.6359	CL520	30268	CL501	9604137880	CL129	5F2E 12029 AA	CL411
9.6121	CL509	9.6361	CL555	30713	CL525	9607405480	CL107	5F2E 12029 AB	CL411
9.6128	CL122	9.6374	CL003	30971	CL400	9622889780	CL107	6E5G 12A366 AD	CL412
9.6129	CL559	9.6375	CL602	31143	CL405	9633001580	CL135	6E5G 12A366 AE	CL412
9.6133	CL506	9.6380	CL405	31390	CL570	FORD		6M5G 12029 AA	CL410
9.6152	CL563	9.6381	CL403	32054	CL581	1008464	CL021	8SF 12029 A1A	CL400
9.6166	CL570	9.6383	CL151	32055	CL579	1008886	CL400	88SF 12029 A1A	CL400
9.6172	CL207	9.6387	CL621	33189	CL583	1008887	CL400	88SF 12029 A2A	CL400
9.6173	CL219	9.6389	CL554	FIAT		1018139	CL400	88SF 12029 AA	CL400
9.6175	CL124	9.6407	CL218	07694335	CL303	1018140	CL400	89BF 12024 A1B	CL400
9.6176	CL125	9.6418	CL150	4439396	CL316	1067601	CL401	91XF 12029 AA	CL404
9.6177	CL126	9.8034	CL200	7553120	CL308	1075786	CL401	91XF 12029 BA	CL404
9.6183	CL525	9.8114	CL001	7582152	CL304	1119835	CL409	919F 12029 AA	CL408
9.6184	CL508	9.8120	CL002	7626232	CL300	1130402	CL401	928F 12029 CA	CL400
9.6207	CL615	9.8123	CL119	7646974	CL308	12029CA	CL400	938F 12024 DA	CL400
9.6213	CL320	FEBI BILSTEIN		7646975	CL303	1223293	CL407	95VW 12029 AA	CL021
9.6214	CL317	17194	CL001	7648797	CL302	1224925	CL405	95WF 12029 BA	CL402
9.6216	CL606	19929	CL300	7663177	CL304	1314271	CL405	96FB 12257 AB	CL400
9.6241	CL205	21109	CL601	7672018	CL300	1317972	CL401	98BF 12024 AB	CL401
9.6244	CL504	21524	CL116	7698431	CL304	1319788	CL409	988F 12024 AB	CL401
9.6245	CL312	21525	CL131	7746151	CL313	1322402	CL405	988F 1209 AB	CL401
9.6247	CL569	21526	CL102	7746152	CL304	1331283	CL023	988F 1209 AC	CL401
9.6252	CL600	21527	CL128	7746153	CL308	1350562	CL403	988F 12029 AB	CL401
9.6254S	CL004	21528	CL118	7746154	CL304	1350567	CL406	988F 12029 AC	CL401
9.6255	CL136	21529	CL123	7753777	CL303	1360553	CL407	988F 12029 AD	CL401
9.6256	CL137	21666	CL100	7789346	CL312	1362718	CL023	E8TZ-12029-A	CL400
9.6265	CL131	22038	CL003	46403328	CL317	1371601	CL410	E8TF12029 AA	CL400
9.6269S	CL907	22389	CL202	46446039	CL312	1404981	CL412	EPSZ 12029 A	CL408
9.6274	CL700	22581	CL106	46460582	CL314	1458400	CL406	E9SF 12029 AA	CL408
9.6276	CL128	22697	CL312	46467542	CL318	1459278	CL403	E9TF-12029-AA	CL400
9.6277	CL116	22875	CL124	46469863	CL305	1578771	CL405	F1SU 12029 AA	CL408
9.6278	CL102	23187	CL203	46472440	CL312	1649067	CL400	F1VU 12029 A1A	CL400
9.6282	CL318	23258	CL011	46473849	CL315	1716750	CL412	F1VU 12029 A2A	CL400
9.6284	CL315	23260	CL015	46480361	CL312	4751265	CL411	F1VY 12029 A	CL400
9.6286	CL306	24106	CL005	46543562	CL300	5008190	CL411	F37Z 12029 A	CL400
9.6287	CL305	24108	CL014	46548037	CL300	6181956	CL400	F5LU 12029 AA	CL400
9.6293	CL020	24435	CL135	46755605	CL307	6485687	CL404	F5LY 12029 A	CL400
9.6294	CL519	24500	CL009	46777286	CL301	6485688	CL404	F5OU 12029 AA	CL400
9.6297	CL307	24997	CL111	46777287	CL311	6489415	CL408	F5OY 12029 A	CL400
9.6298	CL217	26014	CL200	46777288	CL310	6503277	CL400	F5OY 12029 B	CL400
9.6299	CL202	26869	CL401	46790073	CL300	6503278	CL400	FSRZ 12029 C	CL400
9.6303	CL110	27132	CL002	46794782	CL321	6503279	CL400	FSSU 12029 AA	CL408
9.6305	CL111	27168	CL213	48776830	CL311	6503280	CL400	FSSZ 12029 A	CL408
9.6314	CL607	27522	CL217	55180004	CL301	6630365	CL408	YM21 12029 AC	CL023
9.6317	CL605	28108	CL221	55200112	CL309	6860288	CL400	GM	
9.6319	CL130	28148	CL212	55200486	CL309	6860289	CL400	01104038	CL201
9.6323	CL309	28465	CL019	55208723	CL309	6958305	CL408	10450424	CL201
9.6325	CL017	28533	CL614	55209603	CL323	7053859	CL402	10458316	CL221
9.6326	CL011	28535	CL611	55212624	CL324	157G 12029 AB	CL409	10490192	CL201
9.6327	CL015	28536	CL605	55213613	CL323	157G 12029 AC	CL409	1208015	CL232
9.6329	CL005	28538	CL606	60558152	CL302	257G 12029 AB	CL407	3474200	CL228
9.6331	CL009	28548	CL610	60562701	CL320	257G 12029 AC	CL407	55350843	CL232
9.6332	CL100	28549	CL607	60586072	CL319	257G 12029 AD	CL407	90173708	CL232
9.6333	CL029	28645	CL513	60809606	CL302	4M5G 12029 ZA	CL403	90536194	CL203

GM	TESLA	HÜCO	TESLA	HÜCO	TESLA	HYUNDAI	TESLA	LANDROVER	TESLA
9268344	CL228	133 832	CL221	138 752	CL109	27301-33020	CL526	NEC 101000L	CL600
93173708	CL232	133 833	CL616	138 753	CL129	27301-37100	CL528	MAZDA	
94404545	CL513	133 837	CL711	138 754	CL108	27301-37110	CL527	1E05-18-100	CL400
HONDA		133 838	CL708	138 756	CL106	27301-37120	CL527	1E05-18-100A	CL400
30500-POAA01	CL569	133 839	CL215	138 757	CL136	27301-38020	CL515	B121-18-10X	CL507
30500-POHA01	CL569	133 840	CL306	138 758	CL137	27301-3C000	CL593	B541-18-10XA	CL507
30500-PAAA01	CL569	133 841	CL307	138 759	CL128	27301-3E100	CL590	B542-18-10XA	CL507
30500-PCAA01	CL569	133 842	CL138	138 760	CL107	HQ808700	CL540	B61P-18-10XC	CL573
30500-PDAA01	CL569	133 843	CL133	138 761	CL209	CHEVROLET		B61P-18-10XD	CL573
30500-PM5-A02	CL500	133 844	CL520	138 762	CL207	96253555	CL220	B657-18-10XA	CL506
30500-PM5-A03	CL500	133 845	CL029	138 764	CL116	96291054	CL216	B658-18-10XA	CL506
30500-PR4-A02	CL560	133 846	CL555	138 765	CL131	96453420	CL225	FFY1-18-100	CL572
30500-PTZ-005	CL501	133 847	CL016	138 766	CL102	CHRYSLER		FP85-18-100C	CL572
30510-P73-A01	CL501	133 848	CL023	138 768	CL222	04609103AB	CL706	FSD7-18-100	CL400
30510-P73-A02	CL501	133 849	CL314	138 780	CL206	05269670	CL706	JF01-18-100B	CL559
30510-PT2-006	CL501	133 850	CL707	138 781	CL205	05269670AB	CL706	L3G-18-100A	CL599
30520-P8E-A01	CL550	133 852	CL405	138 790	CL219	5269670	CL706	L3G-18-100A9U	CL599
30520-P8F-A01	CL550	133 853	CL141	138 793	CL302	56028138	CL709	L813-18-100	CL906
30520-P8F-A02	CL550	133 854	CL151	138 800	CL400	56028138AB	CL709	ZJ20-18-100	CL905
30520-PDF-E11	CL522	133 855	CL229	138 802	CL408	56028138AD	CL709	ZJ20-18-100A	CL905
30520-PGK-A01	CL583	133 856	CL230	138 803	CL401	56028138AE	CL709	ZL01-18-100	CL594
30520-PNA-007	CL556	133 857	CL024	138 804	CL212	56028138AF	CL709	ZL01-18-100A	CL594
30520-PVF-A01	CL583	133 858	CL510	138 805	CL201	KIA		ZL01-18-100B	CL594
30520-PWA-003	CL585	133 859	CL132	138 806	CL801	0K0-11-18-100	CL544	ZZM0-18-100	CL400
30520-RAA-007	CL556	133 860	CL511	138 808	CL403	0K013 18 100	CL548	MERCEDES	
30520-RNA-A01	CL596	133 861	CL305	138 809	CL406	0K201 18 10XB	CL504	000 150 02 80	CL604
30520-RRA-007	CL556	133 862	CL140	138 810	CL569	0K201 18 10XC	CL504	000 150 04 80	CL611
30521-PWA-003	CL586	133 863	CL554	138 811	CL409	0K247 18 100A	CL505	000 150 13 80	CL610
HÜCO		133 865	CL317	138 812	CL501	0K2A3 18 100A	CL589	000 150 15 80	CL618
133 805	CL004	133 907	CL592	138 813	CL560	0K30A 18 10X	CL529	000 150 17 80	CL616
133 806	CL005	133 909	CL534	138 814	CL500	0K30E 18 10X	CL530	000 150 19 80	CL621
133 807	CL003	133 910	CL585	138 825	CL559	0K9A2 18 10XB	CL545	000 150 25 80	CL622
133 808	CL011	133 911	CL510	138 843	CL543	0K9BV 18 10X	CL531	000 150 26 80	CL621
138 419	CL001	133 914	CL535	138 865	CL513	27300-3F100	CL902	000 150 27 80	CL621
138 425	CL002	133 915	CL536	138 866	CL568	27301-02700	CL541	000 150 28 80	CL616
138 713	CL150	133 919	CL537	138 868	CL578	27301-02710	CL541	000 158 45 03	CL609
133 800	CL100	133 920	CL537	HYUNDAI		27301-03110	CL904	000 158 48 03	CL609
133 801	CL310	133 921	CL538	27300-39700	CL553	27301-04000	CL903	000 158 50 03	CL609
133 802	CL702	138 426	CL019	27300-39800	CL553	27301-23700	CL565	000 158 50 03	CL614
133 803	CL135	138 430	CL200	27300-3F100	CL902	27301-23900	CL901	000 158 53 03	CL609
133 804	CL600	138 434	CL021	27301-02100	CL551	27301-26600	CL546	000 158 61 03	CL609
133 809	CL202	138 435	CL028	27301-02502	CL519	27301-26640	CL595	000 158 62 03	CL609
133 810	CL203	138 437	CL030	27301-02600	CL523	27301-28010	CL584	000 158 62 03	CL614
133 811	CL601	138 441	CL026	27301-03110	CL904	27301-33510	CL532	000 158 64 03	CL612
133 813	CL604	138 709	CL605	27301-22040	CL502	27301-3C000	CL593	000 158 65 03	CL613
133 814	CL606	138 710	CL607	27301-22050	CL502	KK137-18-10XC	CL558	000 158 68 03	CL611
133 815	CL213	138 711	CL611	27301-22600	CL524	LANCIA		000 158 70 03	CL604
133 816	CL214	138 712	CL130	27301-23003	CL503	46467542	CL318	000 158 71 03	CL606
133 817	CL110	138 714	CL502	27301-23500	CL539	60558152	CL302	000 158 71 03	CL604
133 818	CL111	138 715	CL613	27301-23510	CL539	60809606	CL302	000 158 72 03	CL617
133 819	CL104	138 717	CL802	27301-23700	CL565	7588436	CL313	000 158 73 03	CL605
133 820	CL127	138 718	CL524	27301-23900	CL901	76487970	CL302	000 158 75 03	CL604
133 821	CL115	138 728	CL125	27301-24510	CL508	96 33 001 580	CL135	000 158 75 03	CL606
133 822	CL610	138 729	CL126	27301-24520	CL508	LANDROVER		000 158 77 03	CL607
133 825	CL602	138 730	CL300	27301-26640	CL595	ERR 6045	CL302	000 158 78 03	CL605
133 826	CL800	138 732	CL313	27301-28000	CL566	ERR 6566	CL302	003 158 50 01	CL021
133 827	CL301	138 735	CL122	27301-28010	CL584	NEC 000040	CL600	A000 150 02 80	CL604
133 828	CL014	138 736	CL124	27301-32800	CL525	NEC 000070	CL702	A000 150 04 80	CL611
133 829	CL318	138 738	CL123	27301-32810	CL525	NEC 000070 L	CL702	A000 150 15 80	CL618
133 830	CL022	138 739	CL312	27301-32820	CL525	NEC 000110 L	CL702	A000 150 17 80	CL616
133 831	CL015	138 750	CL118	27301-33010	CL526	NEC 000120L	CL711	A000 150 19 80	CL621

MERCEDES	TESLA	NISSAN	TESLA	OPEL	TESLA	PSA	TESLA	RENAULT	TESLA
A000 150 25 80	CL622	22448-8H315	CL592	90 449 740	CL205	5970.81	CL141	77 00 858 320	CL126
A000 150 26 80	CL621	22448-AX001	CL534	90 458 250	CL207	5970.84	CL133	77 00 863 020	CL136
A000 150 27 80	CL621	22448-ED800	CL554	90 492 255	CL209	5970.85	CL151	77 00 863 021	CL137
A000 150 28 80	CL616	22448-ED800EP	CL554	90 510 386	CL206	5970.87	CL138	77 00 865 923	CL136
A000 158 62 03	CL614	OPEL		90 510 387	CL205	5970.88	CL555	77 00 872 265	CL124
A000 158 65 03	CL613	09 119 567	CL203	90 511 450	CL209	5970.90	CL120	77 00 872 449	CL131
A000 158 68 03	CL611	10 457 075	CL200	90 532 618	CL213	5970.92	CL139	77 00 872 692	CL125
A000 158 70 03	CL604	10 457 870	CL212	90 536 194	CL203	5970.94	CL135	77 00 872 693	CL126
A000 158 71 03	CL606	10 458 316	CL221	90 541 062	CL222	5970.95	CL154	77 00 872 834	CL131
A000 158 73 03	CL605	11 03 872	CL200	90 543 059	CL213	5970.97	CL120	77 00 873 701	CL131
A000 158 75 03	CL606	11 03 905	CL200	90 543 253	CL214	94 632 641	CL112	77 00 875 000	CL100
A000 158 78 03	CL605	12 08 022	CL228	90 560 110	CL214	96 010 513	CL108	77 01 021 954	CL146
A003 158 50 01	CL021	12 08 031	CL228	90 563 160	CL222	96 035 284	CL109	77 01 029 799	CL146
MITSUBISHI		12 08 002	CL205	90 564 334	CL223	96 041 378	CL129	77 01 031 135	CL118
27301 24520	CL508	12 08 003	CL206	90 584 336	CL229	96 062 288	CL106	77 01 041 607	CL103
HQ808700	CL540	12 08 004	CL205	90 584 337	CL230	96 074 054	CL107	77 01 041 608	CL101
MD 104696	CL525	12 08 007	CL209	91 159 996	CL100	96 211 048	CL113	82 00 025 256	CL130
MD 113551	CL543	12 08 008	CL203	91 181 14	CL229	96 213 086	CL127	82 00 051 128	CL130
MD 114994	CL508	12 08 010	CL212	91 181 15	CL230	96 213 181	CL132	82 00 051 128	CL149
MD 126461	CL526	12 08 012	CL214	91 532 50	CL226	96 228 897	CL107	82 00 084 401	CL130
MD 131711	CL543	12 08 020	CL215	91 958 19	CL223	96 246 755	CL110	82 00 141 149	CL131
MD 158956	CL562	12 08 021	CL221	91 988 34	CL218	96 281 585	CL110	82 00 154 186	CL100
MD 309455	CL907	12 08 026	CL224	93 172 030	CL226	96 292 106	CL115	82 00 154 186 A	CL100
MD 314583	CL598	12 08 028	CL217	93 177 212	CL215	96 341 314	CL112	82 00 208 611	CL100
MD 325048	CL547	12 08 048	CL205	93 180 806	CL217	96 358 648	CL111	82 00 360 911	CL134
MD 362907	CL547	12 08 051	CL201	PORSCHE		96 358 649	CL111	82 00 360 911	CL149
MD 362913	CL549	12 08 053	CL208	94 860 210 400	CL620	96 362 683	CL135	82 00 380 267	CL100
MD 363552	CL582	12 08 054	CL206	94 860 210 401	CL620	96 363 378	CL104	82 00 405 098	CL100
MN 195616	CL597	12 08 063	CL200	94 860 210 403	CL620	97 530 780	CL108	82 00 568 671	CL100
NISSAN		12 08 065	CL219	94 860 210 405	CL620	97 531 206	CL114	82 00 699 627	CL153
22433-0B000	CL509	12 08 068	CL210	94 860 210 407	CL620	9 603 528 480	CL109	82 00 702 693	CL134
22433-51J10	CL509	12 08 070	CL206	94 860 210 408	CL620	9 611 412 080	CL105	82 00 702 693	CL149
22433-53J20	CL509	12 08 071	CL207	94 860 210 409	CL620	9 616 597 080	CL106	82 00 702 693	CL150
22433-55510	CL509	12 08 075	CL222	95 560 210 105	CL016	9 621 308 680	CL127	82 00 713 680	CL149
22433-56E11	CL509	12 08 209	CL229	95 960 250 200	CL612	9 624 675 580	CL110	82 00 726 341	CL152
22433-56E12	CL509	12 08 210	CL230	PSA		9 628 158 580	CL110	82 00 734 204	CL149
22448-00QAA	CL100	12 08 213	CL223	5963.18	CL113	9 633 001 580	CL135	82 00 765 882	CL100
22448-00QAC	CL100	12 08 306	CL213	5963.19	CL111	9 634 131 480	CL112	82 00 959 964	CL152
22448-00QAC	CL116	12 08 307	CL202	5970.42	CL114	9 636 337 880	CL104	9633001580	CL135
22448-00QAE	CL100	12 08 551	CL224	5970.43	CL108	9 636 997 880	CL104	ROVER	
22448-00QAH	CL100	12 08 553	CL224	5970.45	CL109	9 644 190 980	CL154	GCL 161	CL500
22448-1F700	CL521	12 567 686	CL224	5970.47	CL129	9 651 710 680	CL151	GCL 195	CL501
22448-1KCOA	CL900	12 569 342	CL224	5970.48	CL107	9 654 347 080	CL120	GCL 201	CL700
22448-2Y000	CL537	12 580 537	CL224	5970.49	CL106	9 664 401 880	CL135	GCL 204	CL106
22448-2Y005	CL538	19 005 212	CL202	5970.50	CL105	V7 562 744	CL603	GCL 207	CL569
22448-31U01	CL535	24 420 584	CL215	5970.51	CL113	V7 571 64380	CL603	GCL 307	CL600
22448-31U06	CL536	24 420 622	CL217	5970.53	CL302	RENAULT		NEC000040	CL600
22448-31U11	CL535	44 083 89	CL100	5970.55	CL132	215952732	CL100	NEC000070	CL702
22448-31U16	CL536	44 132 23	CL100	5970.56	CL127	2526180A	CL100	NEC000110	CL702
22448-4M500	CL510	44 132 33	CL100	5970.57	CL140	708633020-7	CL103	NEC000120	CL711
22448-4M50A	CL510	62 35 037	CL218	5970.60	CL107	74 01 275 174	CL119	NEC000130	CL708
22448-6N000	CL511	62 35 124	CL226	5970.64	CL603	77 00 100 589	CL128	NEC100530	CL501
22448-6N002	CL511	90 350 021	CL208	5970.70	CL107	77 00 100 643	CL102	NEC100630	CL700
22448-6N010	CL511	90 350 987	CL208	5970.72	CL110	77 00 107 177	CL100	NEC100730	CL711
22448-6N011	CL100	90 358 386	CL210	5970.73	CL115	77 00 107 269	CL123	NEC100730L	CL711
22448-6N012	CL511	90 369 434	CL208	5970.74	CL110	77 00 113 357	CL100	NEC100750	CL569
22448-6N015	CL511	90 424 480	CL218	5970.75	CL112	77 00 113 357 A	CL100	NEC100870	CL708
22448-8H300	CL592	90 443 900	CL219	5970.77	CL135	77 00 274 008	CL116	NEC101000	CL600
22448-8H310	CL592	90 444 184	CL210	5970.78	CL111	77 00 749 450	CL122	NEC101000L	CL600
22448-8H311	CL592	90 449 572	CL219	5970.79	CL111	77 00 854 306	CL124	NEC101010	CL600
22448-8H314	CL592	90 449 739	CL206	5970.80	CL104	77 00 854 307	CL125		

R

SAAB	TESLA	SMP	TESLA	SMP	TESLA	SMP	TESLA	SMP	TESLA
4226031	CL208	12467	CL409	12722	CL213	12790	CL016	12876	CL549
4770046	CL210	12482	CL538	12723	CL202	12791	CL024	12877	CL557
5171111	CL208	12484	CL617	12724	CL203	12793	CL216	12878	CL150
55559955	CL705	12486	CL324	12725	CL130	12794	CL138	12879	CL154
55561132	CL710	12589	CL128	12726	CL010	12795	CL139	12882	CL152
55562588	CL705	12596	CL116	12727	CL003	12796	CL120	12883	CL512
9178955	CL710	12598	CL219	12728	CL005	12797	CL217	12884	CL323
9197559	CL705	12601	CL304	12729	CL314	12798	CL511	12885	CL546
SEAT		12604	CL316	12730	CL315	12799	CL121	12886	CL530
032 905 106 B	CL002	12605	CL308	12731	CL113	12800	CL218	12887	CL225
867 905 104	CL001	12606	CL004	12732	CL127	12801	CL600	12888	CL541
SKODA		12607	CL102	12733	CL014	12802	CL221	12889	CL621
004 050 016	CL001	12610	CL509	12734	CL201	12803	CL407	12891	CL548
032 905 106 B	CL002	12611	CL559	12735	CL510	12804	CL230	12893	CL585
047 905 104	CL008	12613	CL107	12736	CL604	12805	CL229	12894	CL586
047 905 104 A	CL007	12614	CL400	12737	CL301	12806	CL210	12895	CL029
047 905 104 B	CL007	12615	CL543	12738	CL404	12807	CL406	12896	CL505
047 905 115	CL013	12616	CL106	12739	CL711	12808	CL539	12897	CL556
115 914 010	CL012	12617	CL508	12740	CL007	12809	CL534	12898	CL529
6N0 905 104	CL001	12618	CL500	12741	CL310	12810	CL533	12899	CL571
SMART		12619	CL300	12742	CL204	12811	CL220	12916	CL001
000 3100 V003	CL607	12620	CL313	12743	CL317	12812	CL515	12917	CL200
000 3100 V004	CL607	12622	CL601	12744	CL318	12813	CL526	12918	CL019
000 3100 V005	CL607	12623	CL302	12745	CL307	12814	CL503	12919	CL002
C 000 3100 V003	CL607	12624	CL506	12747	CL112	12815	CL502	12921	CL119
C 000 3100 V004	CL607	12626	CL205	12748	CL212	12816	CL523	12922	CL021
C 000 3100 V005	CL607	12635	CL408	12749	CL104	12817	CL618	12923	CL030
SMP		12637	CL319	12750	CL115	12818	CL410	12924	CL028
12010	CL228	12639	CL609	12751	CL607	12819	CL542	SSANG YONG	
12203	CL206	12646	CL123	12752	CL710	12820	CL616	1587003	CL606
12300	CL146	12648	CL568	12753	CL611	12821	CL015	0001587503	CL604
12302	CL108	12649	CL513	12754	CL020	12822	CL708	SUBARU	
12303	CL114	12651	CL588	12755	CL132	12823	CL705	22433-AA240	CL570
12304	CL109	12652	CL578	12756	CL133	12825	CL579	22433-AA370	CL570
12306	CL118	12659	CL501	12757	CL569	12828	CL570	22433-AA41A	CL591
12400	CL584	12660	CL560	12758	CL602	12829	CL321	22433-AA41B	CL591
12401	CL577	12662	CL122	12759	CL223	12830	CL022	22433-AA57A	CL591
12402	CL153	12667	CL507	12760	CL610	12831	CL226	SUZUKI	
12403	CL594	12669	CL563	12761	CL215	12832	CL554	33400-65G01	CL561
12404	CL536	12672	CL907	12762	CL402	12833	CL623	33410-57B10	CL588
12405	CL535	12678	CL207	12764	CL131	12836	CL706	33410-57B10-000	CL588
12406	CL566	12679	CL124	12765	CL140	12838	CL709	33410-66D00	CL533
12408	CL595	12680	CL125	12766	CL135	12845	CL232	33410-66D01	CL533
12409	CL553	12681	CL126	12767	CL141	12846	CL603	33410-77E11	CL512
12410	CL580	12683	CL525	12768	CL605	12847	CL707	33410-77E21	CL557
12413	CL527	12700	CL312	12769	CL320	12848	CL619	33410-77E22	CL557
12414	CL573	12701	CL136	12770	CL105	12850	CL564	33410-80C10	CL588
12418	CL531	12702	CL137	12772	CL403	12855	CL550	TOYOTA	
12419	CL590	12707	CL700	12773	CL702	12857	CL622	19500-74040	CL578
12420	CL504	12709	CL519	12774	CL520	12858	CL151	19500-74050	CL578
12421	CL551	12710	CL615	12775	CL134	12860	CL561	90080-19005	CL514
12423	CL532	12711	CL100	12776	CL008	12861	CL412	90080-19005 00	CL514
12424	CL591	12712	CL209	12777	CL521	12864	CL572	90080-19015	CL555
12428	CL411	12713	CL222	12778	CL009	12865	CL547	90080-19016	CL571
12432	CL587	12714	CL401	12779	CL211	12866	CL555	90080-19017	CL542
12441	CL596	12715	CL409	12782	CL405	12867	CL592	90080-19017 00	CL542
12447	CL597	12716	CL306	12783	CL011	12868	CL575	90080-19019	CL555
12449	CL589	12717	CL305	12784	CL224	12869	CL524	90080-19021	CL520
12450	CL522	12719	CL110	12785	CL311	12871	CL598	90080-19023	CL579
12454	CL576	12720	CL111	12788	CL023	12873	CL599	90919-02163	CL568
12457	CL593	12721	CL214	12789	CL309	12874	CL565	90919-02164	CL513

TOYOTA	TESLA	VAZ	TESLA	VW	TESLA		
90919-02185	CL574	2112-3705010-03	CL801	058 905 105 A	CL028		
90919-02197	CL578	2112-3705010-07	CL801	06A 905 097	CL010		
90919-02208	CL578	2112-3705010-10	CL800	06A 905 104	CL010		
90919-02212	CL580	2112-0370501010	CL800	06A 905 115	CL005		
90919-02230	CL575	VOLVO		06A 905 115 A	CL005		
90919-02234	CL571	1275174	CL119	06A 905 115 B	CL005		
90919-02237	CL576	1275602	CL707	06A 905 115 C	CL005		
90919-02238	CL577	30713416	CL121	06B 905 105	CL014		
90919-02239	CL555	30713417	CL410	06B 905 115	CL014		
90919-02240	CL520	30731416	CL403	06B 905 115 B	CL014		
90919-02243	CL579	30731419	CL403	06B 905 115 D	CL005		
90919-02244	CL579	31216444	CL403	06B 905 115 E	CL014		
90919-02247	CL564	31216444 AA	CL403	06B 905 115 G	CL005		
90919-02248	CL564	3287677	CL118	06B 905 115 H	CL005		
90919-02252	CL581	32876773	CL118	06B 905 115 J	CL005		
90919-A2001	CL564	70863020	CL136	06B 905 115 L	CL005		
90919-T2002	CL555	70863020-7	CL136	06B 905 115 M	CL005		
90919-T2003	CL520	70863021	CL137	06B 905 115 N	CL005		
VAG		70863021-5	CL137	06B 905 115 R	CL005		
021 905 106B	CL030	8677837	CL410	06C 905 115 B	CL005		
021 905 106C	CL030	9125601	CL121	06C 905 115 D	CL005		
066 905 100	CL024	VW		06C 905 115 E	CL005		
066 905 100B	CL024	021 905 106	CL021	06C 905 115 F	CL005		
066 905 100C	CL024	021 905 106 A	CL021	06C 905 115 G	CL005		
066 905 100D	CL024	022 905 100 A	CL023	06C 905 115 H	CL005		
066 905 100G	CL024	022 905 100 B	CL016	06C 905 115 K	CL005		
06C 905 115 E	CL015	022 905 100 D	CL023	06C 905 115 L	CL005		
06D 905 115C	CL015	022 905 100 E	CL016	071 905 106	CL020		
06D 905 115D	CL015	022 905 100 G	CL023	077 905 115 E	CL029		
06D 905 115F	CL015	022 905 100 H	CL016	077 905 115 F	CL029		
06D 905 115G	CL015	022 905 100 K	CL023	077 905 115 H	CL029		
06D 905 115K	CL015	022 905 100 L	CL016	077 905 115 K	CL029		
06E 905 115	CL015	022 905 100 N	CL023	077 905 115 P	CL029		
06E 905 115 A	CL015	022 905 100 P	CL016	077 905 115 Q	CL029		
06E 905 115 B	CL015	022 905 100 S	CL016	077 905 115 T	CL029		
06E 905 115 C	CL015	022 905 100 T	CL016	078 905 101	CL006		
06E 905 115 D	CL015	022 905 715	CL016	078 905 101 A	CL006		
06E 905 115 E	CL015	022 905 715 A	CL016	078 905 104	CL006		
06F 905 115	CL011	022 905 715 B	CL016	07C 905 115 J	CL022		
06F 905 115 A	CL011	022 905 715 C	CL023	07C 905 715	CL022		
06F 905 115 B	CL011	032 905 106	CL002	07C 905 715 C	CL022		
06F 905 115 C	CL011	032 905 106 B	CL002	07C 905 715 D	CL022		
06F 905 115 E	CL011	036 905 100 A	CL003	07C 905 715 E	CL022		
06F 905 115 F	CL011	036 905 100 B	CL003	07C 905 715 F	CL022		
077 905 115AA	CL017	036 905 100 C	CL003	07C 905 715 H	CL022		
077 905 115G	CL017	036 905 100 D	CL003	191 905 115 A	CL018		
077 905 115J	CL017	036 905 715	CL003	211 905 115 D	CL018		
077 905 115M	CL017	036 905 715 A	CL003	310 880 01	CL021		
077 905 115R	CL017	036 905 715 C	CL003	357 905 104	CL001		
077 905 115S	CL017	036 905 715 E	CL003	6N0 905 104	CL001		
07K 905 715	CL011	036 905 715 F	CL003	701 905 104	CL019		
07K 905 715 C	CL011	03D 905 115 A	CL009	701 905 104 A	CL019		
07K 905 715 D	CL011	03D 905 115 B	CL009	811 905 115	CL018		
07K 905 715 F	CL011	03D 905 115 C	CL009	867 905 104 A	CL001		
J9091902197	CL578	03D 905 115 D	CL009	867 905 105 A	CL019		
VAZ		03D 905 115 E	CL009				
2111-3705010	CL802	03D 905 115 F	CL009				
2111-3745010	CL802	03D 905 115 G	CL009				
21110-3705010	CL802	058 905 101	CL004				
21110-3705010-03	CL802	058 905 101 A	CL028				
2112-3705010-02	CL801	058 905 105	CL004				

R

Contacts:
TESLA BLATNÁ, a.s.
Palackého 644
388 15 Blatná
Czech Republic

E-mail: sales@tesla-blatna.cz
<http://www.tesla-blatna.cz>

Phone: +420 383 415 354
Telefax: +420 383 415 300

Контактный адрес:
TESLA BLATNÁ, a.s.
Palackého 644
388 15 Blatná
Czech Republic

E-mail: sales@tesla-blatna.cz
<http://www.tesla-blatna.cz>

Тел: +420 383 415 354
Факс: +420 383 415 300

Kontakt:
TESLA BLATNÁ, a.s.
Palackého 644
388 15 Blatná

Prodej:
Telefon: 383 415 337
Telefax: 383 415 215

E-mail: prodej@tesla-blatna.cz
www.tesla-blatna.cz

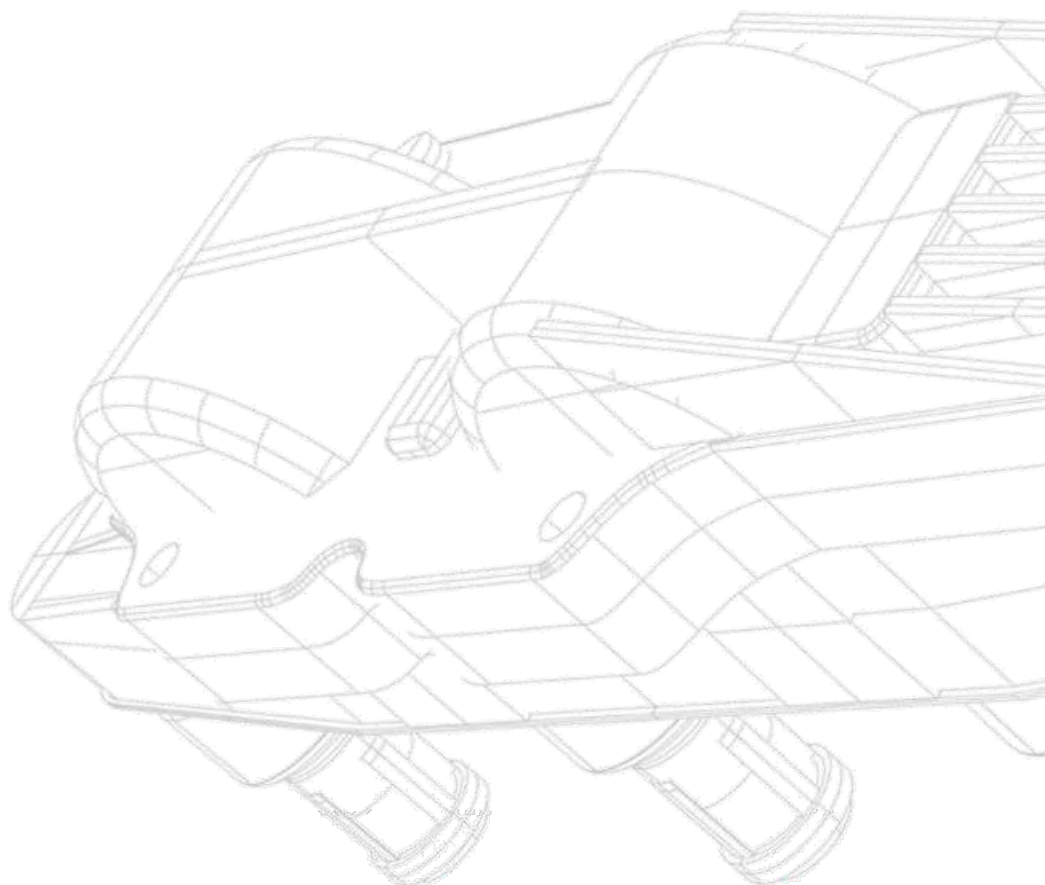
Information included in this catalogue are up-to-date at the time of publication. TESLA BLATNÁ, a.s. reserves the right to change the construction or design of the product without notice.

TESLA BLATNÁ, a.s. оставляет за собой право на изменение конструкции и дизайна указанных изделий. Информации показанные в этом каталоге действуют в период его издания.

Informace obsažené v tomto katalogu jsou aktualizované k termínu jeho vydání. TESLA BLATNÁ, a.s. si vyhrazuje právo úpravy specifikace a nebo konečné formy výrobku bez předchozího upozornění.

1st edition: 08 - 2012
1. издание: 08 - 2012
1. vydání katalogu: 08 - 2012





TESLA BLATNÁ, a.s.
Palackého 644
388 15 Blatná
Czech Republic
e-mail: sales@tesla-blatna.cz
<http://www.tesla-blatna.cz>
phone: +420 383 415 354
telefax: +420 383 415 300

www.tesla-blatna.cz