

KREUZGELENK

UNIVERSAL JOINTS



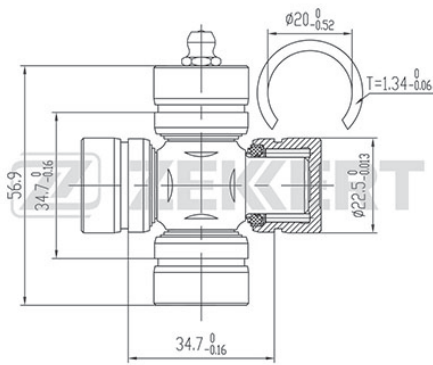
Contents

Types and Dimensions	2
Type A. Universal joint with 4 grooved round bearings	3
Type B. Universal joint with 4 plain round bearings	5
Type C. Universal joint with pressed bearing cup	9
Type D. Universal joint with 4 thurst plate bearings	11
Cross list	12

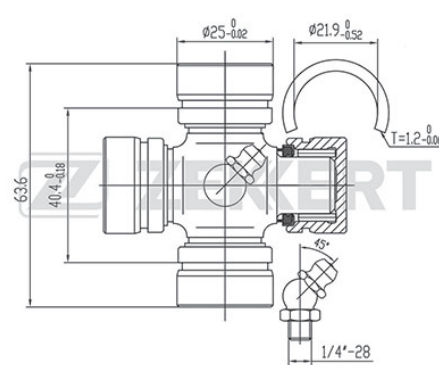
Types and dimensions

Part number	Fitted Diameter, mm	Length 1, mm	Length 2, mm	Accessorie Dimension, mm	Part number	Fitted Diameter, mm	Length 1, mm	Length 2, mm	Accessorie Dimension, mm
KG-1015	15,00	38,10			KG-1037	27,00	71,00		29,00 X 1,20
KG-1010	15,00	39,10			KG-1065	27,00	73,35	45,95	24,60 X 2,00
KG-1038	15,05	40,00			KG-1018	27,00	80,00		30,60 X 1,53
KG-1057	16,00	38,00			KG-1040	27,00	81,75		30,60 X 1,53
KG-1043	16,00	39,00			KG-1030	27,00	81,78		30,60 X 1,53
KG-1032	16,00	40,00			KG-1022	27,00	81,80		30,60 X 1,70
KG-1041	19,05	48,00			KG-1007	27,00	81,90		29,00 X 1,50
KG-1008	20,00	52,60			KG-1035	27,00	92,00		30,60 X 1,53
KG-1103	20,00	57,00		22,50 X 1,20	KG-1004	27,01	74,60		30,60 X 1,53
KG-1020	22,00	54,00		23,50 X 1,00	KG-1021	27,01	74,60		30,60 X 1,53
KG-1127	22,00	54,80		23,50 X 1,20	KG-1126	27,02	70,15		29,00 X 1,20
KG-1083	22,06	59,60		23,50 X 1,00	KG-1053	27,02	92,00		30,60 X 1,53
KG-1003	22,08	57,30			KG-1105	28,00	77,00	50,20	23,00 X 2,00
KG-1096	22,50	56,90	34,70	20,00 X 1,34	KG-1014	28,02	77,30	47,93	24,70 X 1,70
KG-1088	23,82	61,60		27,00 X 1,50	KG-1011	28,02	79,90	52,90	24,70 X 1,50
KG-1029	24,00	74,50		26,30 X 1,50	KG-1113	28,52	77,70		31,50 X 1,43
KG-1059	24,05	88,50			KG-1108	28,60	92,00	60,20	26,40 X 2,50
KG-1005	24,06	62,40		25,90 X 1,20	KG-1002	29,00	75,90	49,00	26,50 X 2,00
KG-1084	24,09	74,55			KG-1072	30,00	82,40		32,10 X 1,20
KG-1121	25,00	63,60	40,40	21,90 X 1,20	KG-1047	30,00	84,40	55,10	27,70 X 1,50
KG-1077	25,00	63,80		27,00 X 1,20	KG-1051	30,19	92,08		33,53 X 1,43
KG-1009	25,00	63,80		28,00 X 1,30	KG-1125	30,19	92,08		33,53 X 1,43
KG-1079	25,00	63,80		28,00 X 1,35	KG-1027	30,19	106,35		33,53 X 1,43
KG-1028	25,02	63,99		26,90 X 1,30	KG-1069	32,00	91,60	61,00	29,40 X 1,50
KG-1078	25,02	63,60	40,00	22,30 X 2,00	KG-1073	32,00	91,94	56,98	28,30 X 1,60
KG-1095	25,02	76,44		26,90 X 1,30	KG-1086	32,00	98,80	68,20	29,40 X 1,50
KG-1063	25,03	76,20		28,00 X 1,50	KG-1117	33,00	93,00		35,00 X 2,00
KG-1081	26,00	69,80		27,90 X 1,20	KG-1076	34,93	126,22		38,60 X 1,50
KG-1074	26,00	80,00	53,60	23,30 X 1,20	KG-1109	35,00	96,80		38,60 X 1,50
KG-1044	26,53	70,40	48,00	24,10 X 1,20	KG-1111	46,00	142,00		
KG-1066	27,00	62,00		30,60 X 1,53					

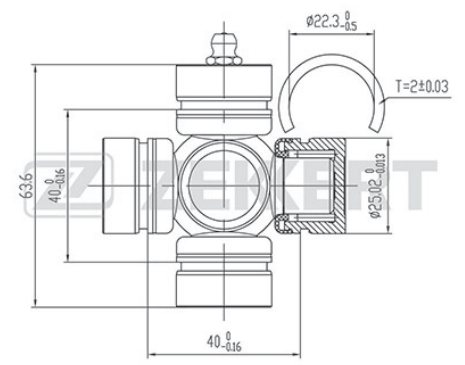
Type A. Universal joint with 4 grooved round bearings



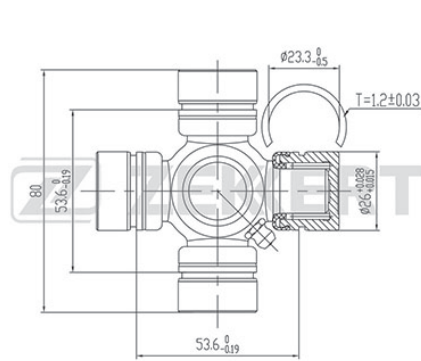
KG-1096			
Fitted Ø, mm	22,50	Length 1, mm	56,90
Length 2, mm	34,70	Snap Ring, (Ø X Thickness)	20,00 X 1,34



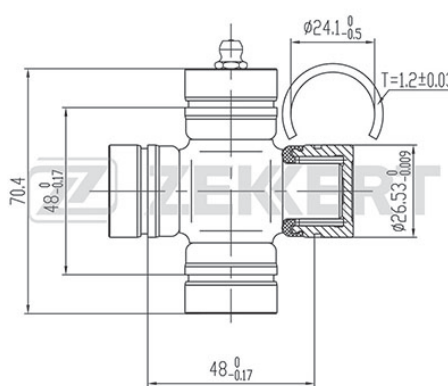
KG-1121			
Fitted Ø, mm	25,00	Length 1, mm	63,60
Length 2, mm	40,40	Snap Ring, (Ø X Thickness)	21,90 X 1,20



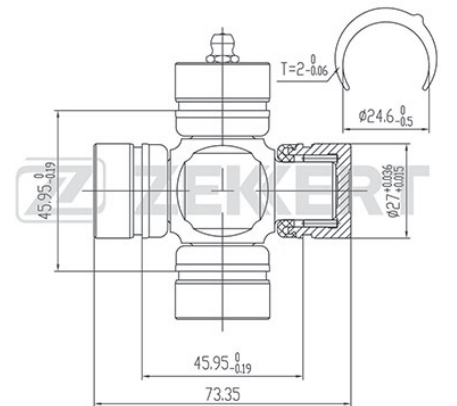
KG-1078			
Fitted Ø, mm	25,02	Length 1, mm	63,60
Length 2, mm	40,00	Snap Ring, (Ø X Thickness)	22,30 X 2,00



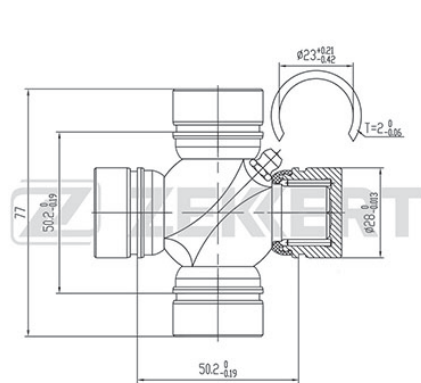
KG-1074			
Fitted Ø, mm	26,00	Length 1, mm	80,00
Length 2, mm	53,60	Snap Ring, (Ø X Thickness)	23,30 X 1,20



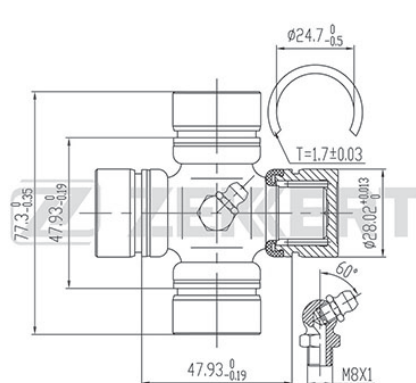
KG-1044			
Fitted Ø, mm	26,53	Length 1, mm	70,40
Length 2, mm	48,00	Snap Ring, (Ø X Thickness)	24,10 X 1,20



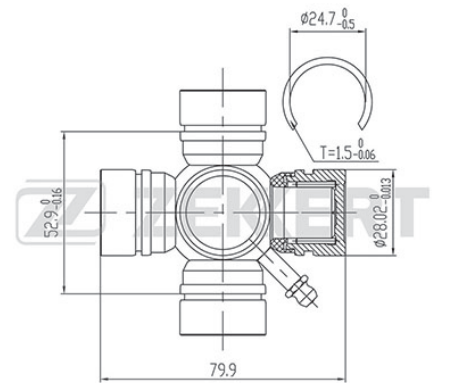
KG-1065			
Fitted Ø, mm	27,00	Length 1, mm	73,35
Length 2, mm	45,95	Snap Ring, (Ø X Thickness)	24,60 X 2,00



KG-1105			
Fitted Ø, mm	28,00	Length 1, mm	77,00
Length 2, mm	50,20	Snap Ring, (Ø X Thickness)	23,00 X 2,00

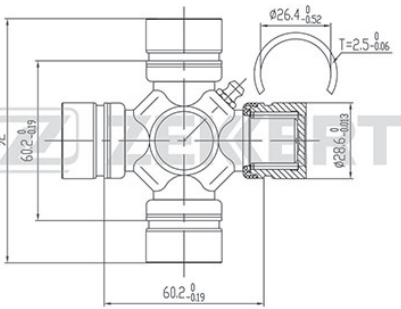


KG-1014			
Fitted Ø, mm	28,02	Length 1, mm	77,30
Length 2, mm	47,93	Snap Ring, (Ø X Thickness)	24,70 X 1,70

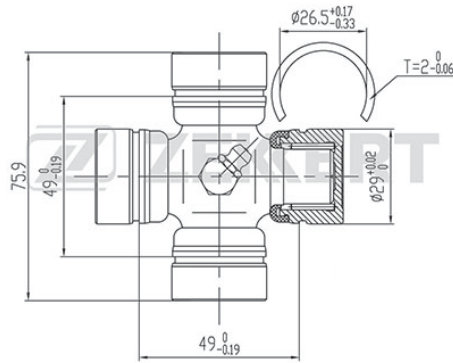


KG-1011			
Fitted Ø, mm	28,02	Length 1, mm	79,90
Length 2, mm	52,90	Snap Ring, (Ø X Thickness)	24,70 X 1,50

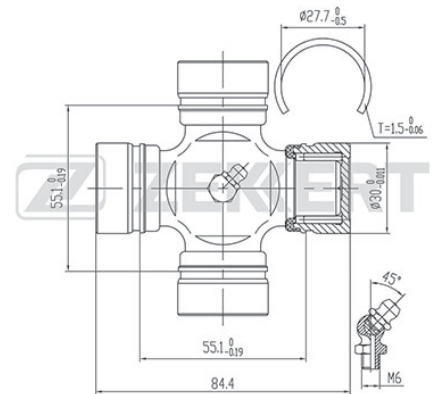
Type A. Universal joint with 4 grooved round bearings



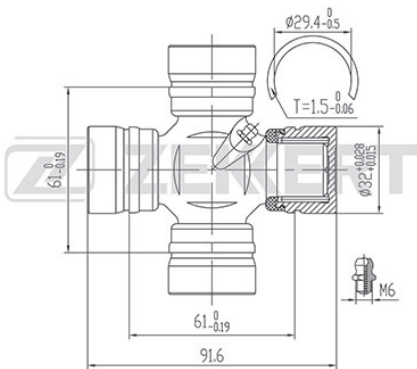
KG-1108			
Fitted Ø, mm	28,60	Length 1, mm	92,00
Length 2, mm	60,20	Snap Ring, (Ø X Thickness)	26,40 X 2,50



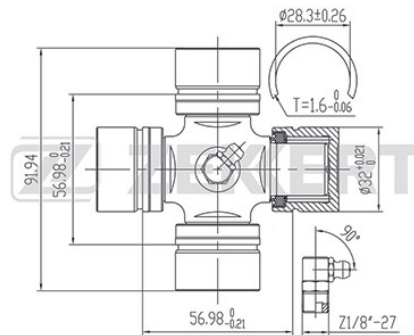
KG-1002			
Fitted Ø, mm	29,00	Length 1, mm	75,90
Length 2, mm	49,00	Snap Ring, (Ø X Thickness)	26,50 X 2,00



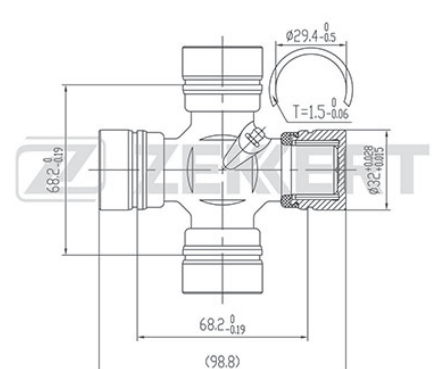
KG-1047			
Fitted Ø, mm	30,00	Length 1, mm	84,40
Length 2, mm	55,10	Snap Ring, (Ø X Thickness)	27,70 X 1,50



KG-1069			
Fitted Ø, mm	32,00	Length 1, mm	91,60
Length 2, mm	61,00	Snap Ring, (Ø X Thickness)	29,40 X 1,50

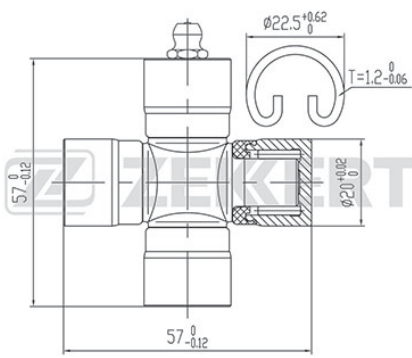


KG-1073			
Fitted Ø, mm	32,00	Length 1, mm	91,94
Length 2, mm	56,98	Snap Ring, (Ø X Thickness)	28,30 X 1,60

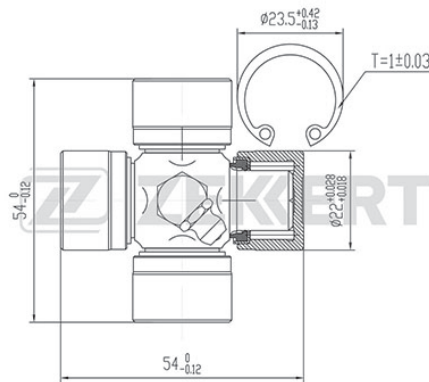


KG-1086			
Fitted Ø, mm	32,00	Length 1, mm	98,80
Length 2, mm	68,20	Snap Ring, (Ø X Thickness)	29,40 X 1,50

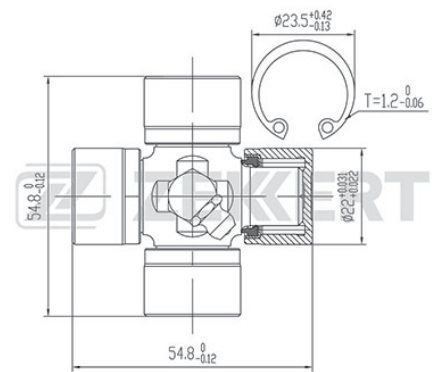
Type B. Universal joint with 4 plain round bearings



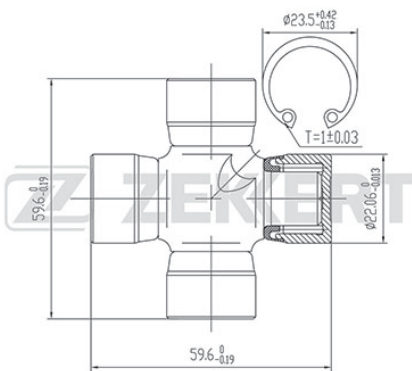
KG-1103			
Fitted Ø, mm	20,00	Length 1, mm	57,00
Length 2, mm		Snap Ring, (Ø X Thickness)	22,50 X 1,20



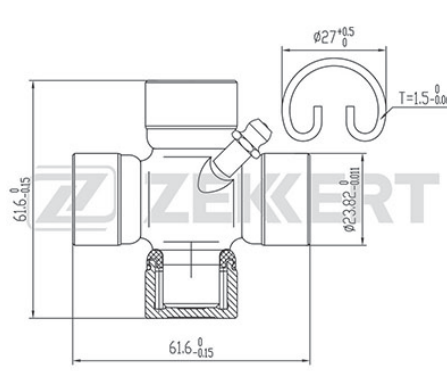
KG-1020			
Fitted Ø, mm	22,00	Length 1, mm	54,00
Length 2, mm		Snap Ring, (Ø X Thickness)	23,50 X 1,00



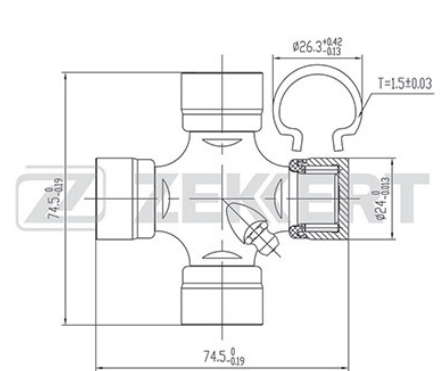
KG-1127			
Fitted Ø, mm	22,00	Length 1, mm	54,80
Length 2, mm		Snap Ring, (Ø X Thickness)	23,50 X 1,20



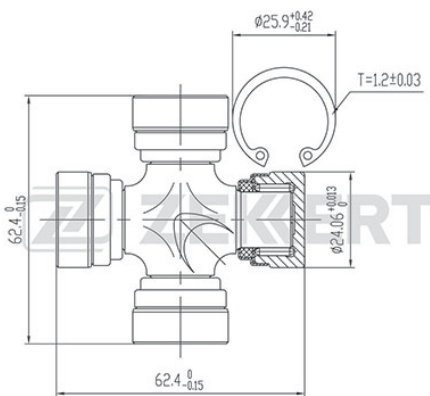
KG-1083			
Fitted Ø, mm	22,06	Length 1, mm	59,60
Length 2, mm		Snap Ring, (Ø X Thickness)	23,50 X 1,00



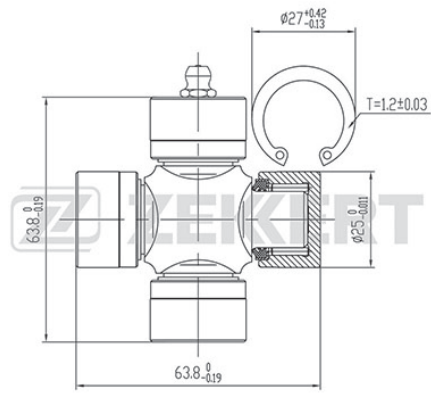
KG-1088			
Fitted Ø, mm	23,82	Length 1, mm	61,60
Length 2, mm		Snap Ring, (Ø X Thickness)	27,00 X 1,50



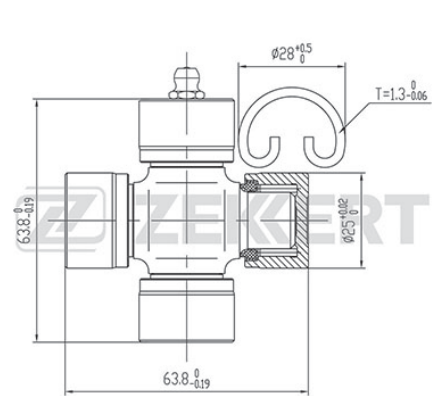
KG-1029			
Fitted Ø, mm	24,00	Length 1, mm	74,50
Length 2, mm		Snap Ring, (Ø X Thickness)	26,30 X 1,50



KG-1005			
Fitted Ø, mm	24,06	Length 1, mm	62,40
Length 2, mm		Snap Ring, (Ø X Thickness)	25,90 X 1,20

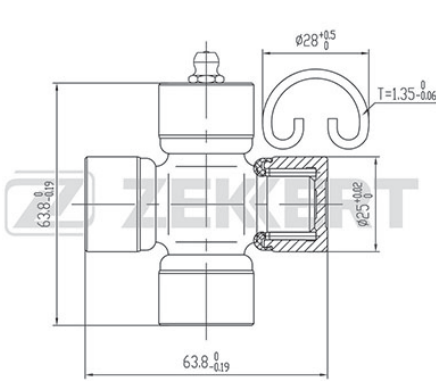


KG-1077			
Fitted Ø, mm	25,00	Length 1, mm	63,80
Length 2, mm		Snap Ring, (Ø X Thickness)	27,00 X 1,20

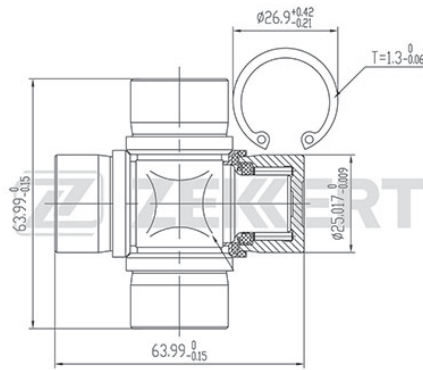


KG-1009			
Fitted Ø, mm	25,00	Length 1, mm	63,80
Length 2, mm		Snap Ring, (Ø X Thickness)	28,00 X 1,30

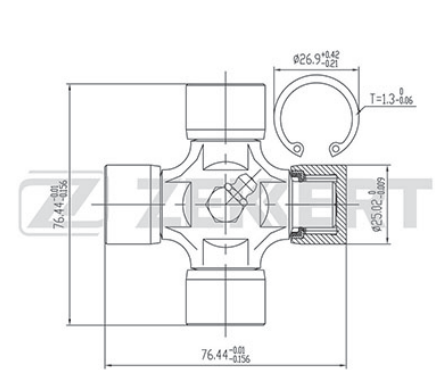
Type B. Universal joint with 4 plain round bearings



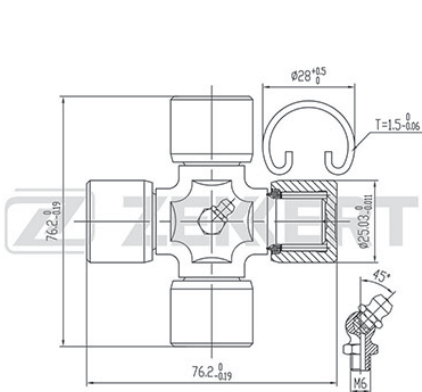
KG-1079			
Fitted Ø, mm	25,00	Length 1, mm	63,80
Length 2, mm		Snap Ring, (Ø X Thickness)	28,00 X 1,35



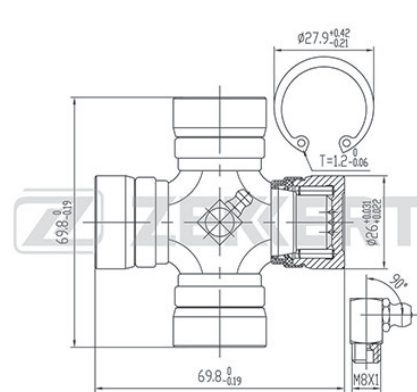
KG-1028			
Fitted Ø, mm	25,02	Length 1, mm	63,99
Length 2, mm		Snap Ring, (Ø X Thickness)	26,90 X 1,30



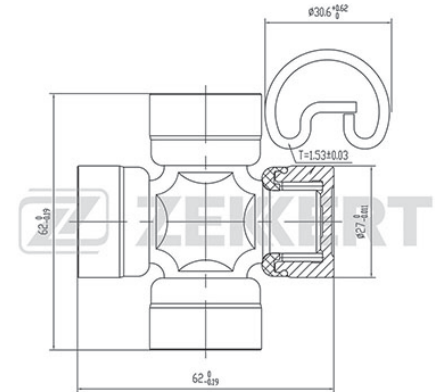
KG-1095			
Fitted Ø, mm	25,02	Length 1, mm	76,44
Length 2, mm		Snap Ring, (Ø X Thickness)	26,90 X 1,30



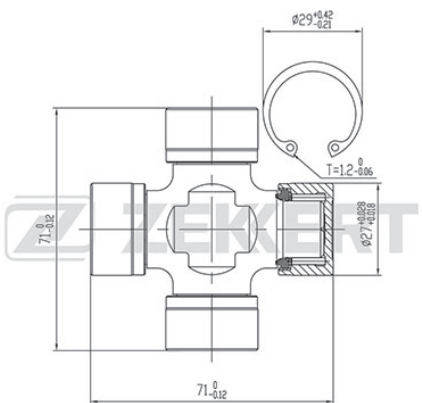
KG-1063			
Fitted Ø, mm	25,03	Length 1, mm	76,20
Length 2, mm		Snap Ring, (Ø X Thickness)	28,00 X 1,50



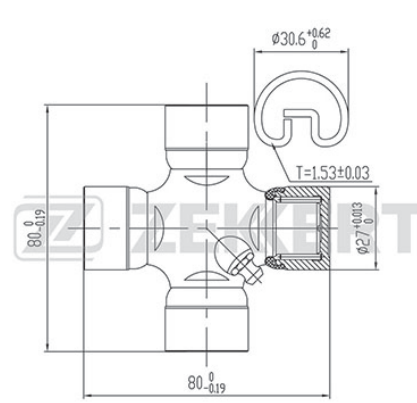
KG-1081			
Fitted Ø, mm	26,00	Length 1, mm	69,80
Length 2, mm		Snap Ring, (Ø X Thickness)	27,90 X 1,20



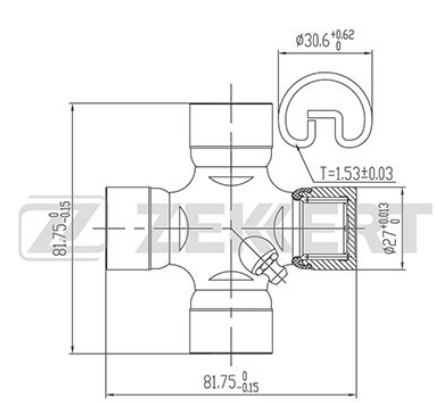
KG-1066			
Fitted Ø, mm	27,00	Length 1, mm	62,00
Length 2, mm		Snap Ring, (Ø X Thickness)	30,60 X 1,53



KG-1037			
Fitted Ø, mm	27,00	Length 1, mm	71,00
Length 2, mm		Snap Ring, (Ø X Thickness)	29,00 X 1,20

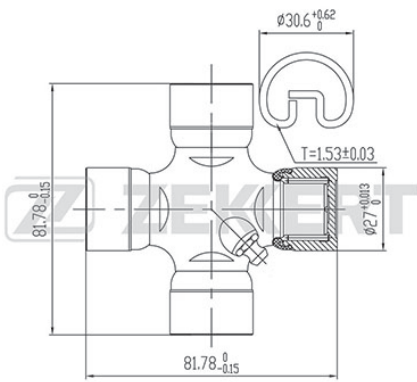


KG-1018			
Fitted Ø, mm	27,00	Length 1, mm	80,00
Length 2, mm		Snap Ring, (Ø X Thickness)	30,60 X 1,53

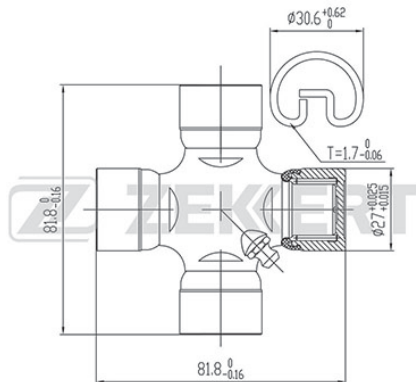


KG-1040			
Fitted Ø, mm	27,00	Length 1, mm	81,75
Length 2, mm		Snap Ring, (Ø X Thickness)	30,60 X 1,53

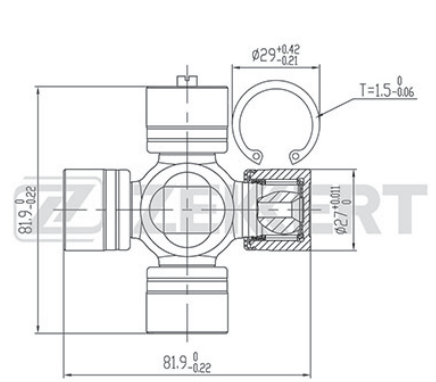
Type B. Universal joint with 4 plain round bearings



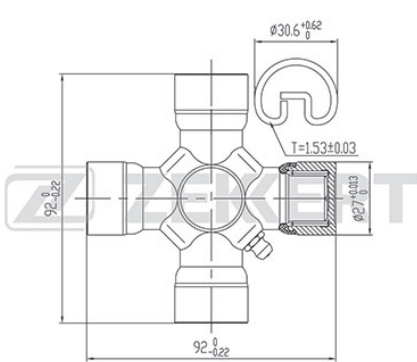
KG-1030			
Fitted Ø, mm	27,00	Length 1, mm	81,78
Length 2, mm		Snap Ring, (Ø X Thickness)	30,60 X 1,53



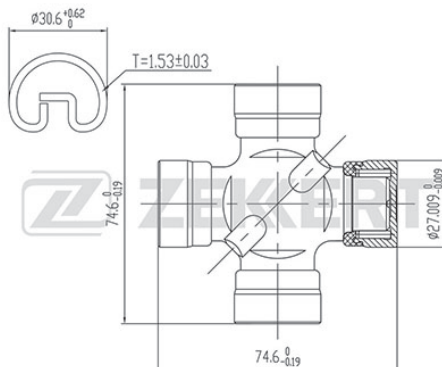
KG-1022			
Fitted Ø, mm	27,00	Length 1, mm	81,80
Length 2, mm		Snap Ring, (Ø X Thickness)	30,60 X 1,70



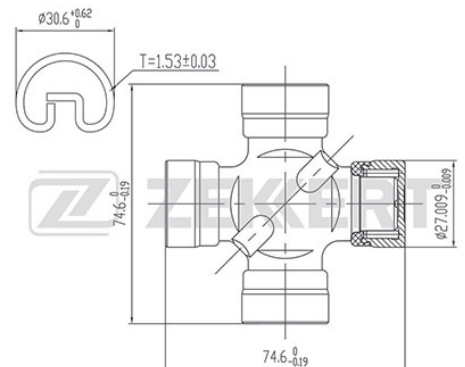
KG-1007			
Fitted Ø, mm	27,00	Length 1, mm	81,90
Length 2, mm		Snap Ring, (Ø X Thickness)	29,00 X 1,50



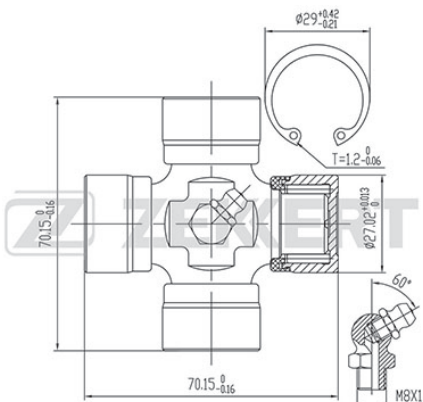
KG-1035			
Fitted Ø, mm	27,00	Length 1, mm	92,00
Length 2, mm		Snap Ring, (Ø X Thickness)	30,60 X 1,53



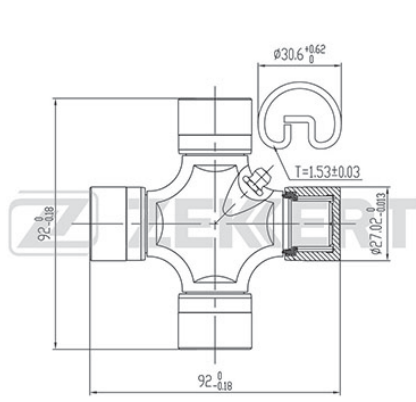
KG-1004			
Fitted Ø, mm	27,01	Length 1, mm	74,60
Length 2, mm		Snap Ring, (Ø X Thickness)	30,60 X 1,53



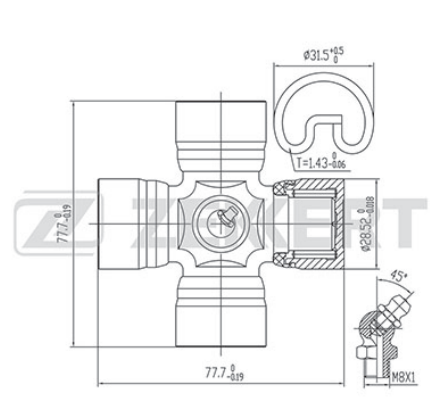
KG-1021			
Fitted Ø, mm	27,01	Length 1, mm	74,60
Length 2, mm		Snap Ring, (Ø X Thickness)	30,60 X 1,53



KG-1126			
Fitted Ø, mm	27,02	Length 1, mm	70,15
Length 2, mm		Snap Ring, (Ø X Thickness)	29,00 X 1,20

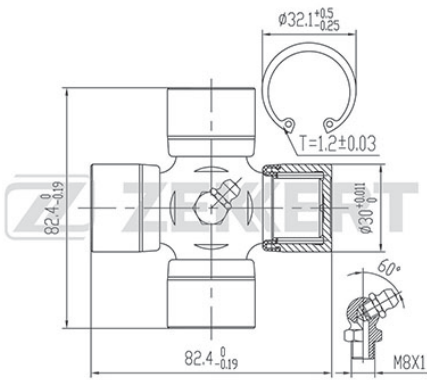


KG-1053			
Fitted Ø, mm	27,02	Length 1, mm	92,00
Length 2, mm		Snap Ring, (Ø X Thickness)	30,60 X 1,53

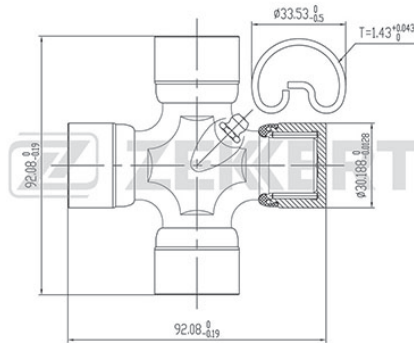


KG-1113			
Fitted Ø, mm	28,52	Length 1, mm	77,70
Length 2, mm		Snap Ring, (Ø X Thickness)	31,50 X 1,43

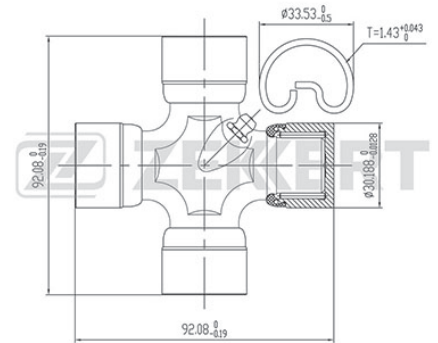
Type B. Universal joint with 4 plain round bearings



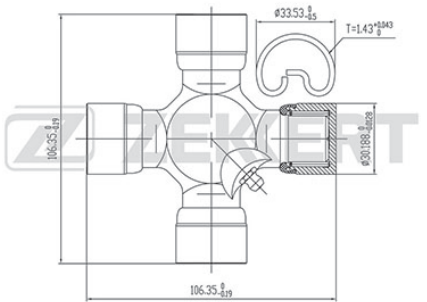
KG-1072			
Fitted Ø, mm	30,00	Length 1, mm	82,40
Length 2, mm		Snap Ring, (Ø X Thickness)	32,10 X 1,20



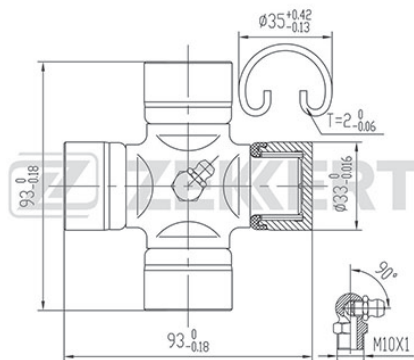
KG-1051			
Fitted Ø, mm	30,19	Length 1, mm	92,08
Length 2, mm		Snap Ring, (Ø X Thickness)	33,53 X 1,43



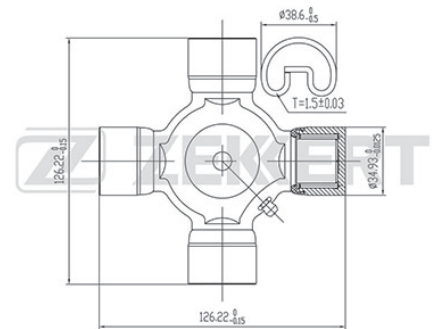
KG-1125			
Fitted Ø, mm	30,19	Length 1, mm	92,08
Length 2, mm		Snap Ring, (Ø X Thickness)	33,53 X 1,43



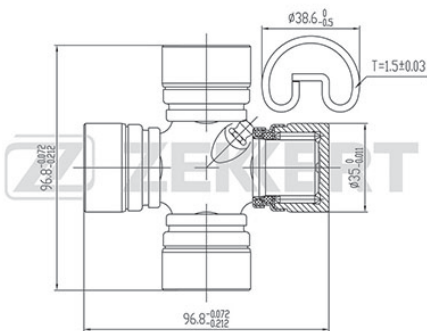
KG-1027			
Fitted Ø, mm	30,19	Length 1, mm	106,35
Length 2, mm		Snap Ring, (Ø X Thickness)	33,53 X 1,43



KG-1117			
Fitted Ø, mm	33,00	Length 1, mm	93,00
Length 2, mm		Snap Ring, (Ø X Thickness)	35,00 X 2,00

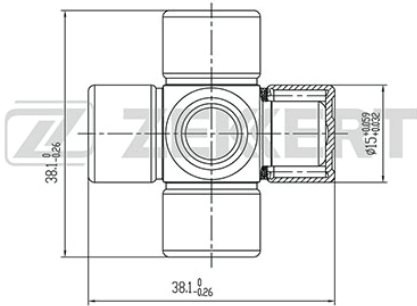


KG-1076			
Fitted Ø, mm	34,93	Length 1, mm	126,22
Length 2, mm		Snap Ring, (Ø X Thickness)	38,60 X 1,50

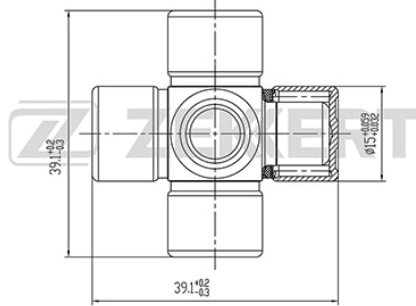


KG-1109			
Fitted Ø, mm	35,00	Length 1, mm	96,80
Length 2, mm		Snap Ring, (Ø X Thickness)	38,60 X 1,50

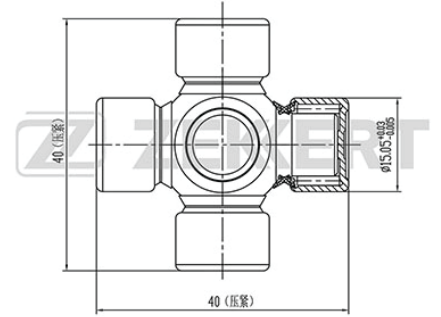
Type C. Universal joint with pressed bearing cup



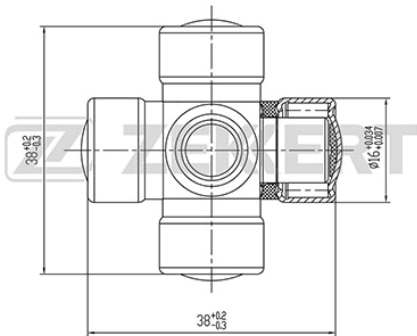
KG-1015			
Fitted Ø, mm	15,00	Length 1, mm	38,10
Length 2, mm		Snap Ring, (Ø X Thickness)	



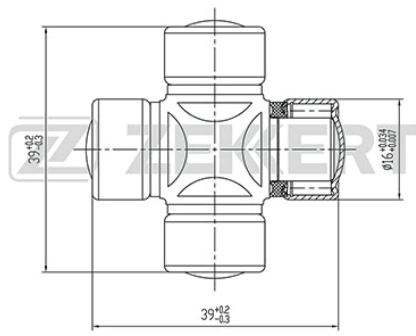
KG-1010			
Fitted Ø, mm	15,00	Length 1, mm	39,10
Length 2, mm		Snap Ring, (Ø X Thickness)	



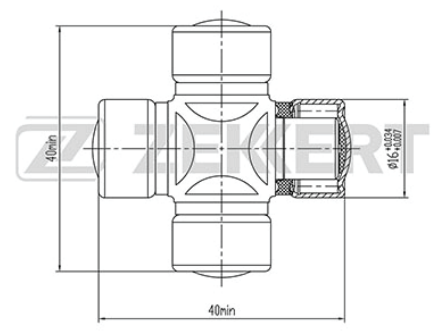
KG-1038			
Fitted Ø, mm	15,05	Length 1, mm	40,00
Length 2, mm		Snap Ring, (Ø X Thickness)	



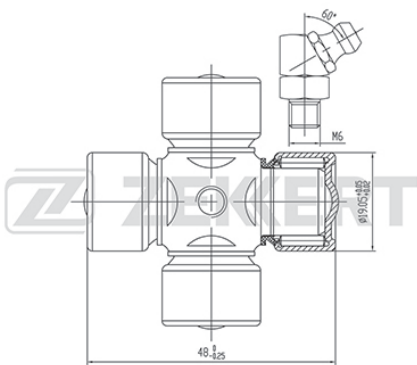
KG-1057			
Fitted Ø, mm	16,00	Length 1, mm	38,00
Length 2, mm		Snap Ring, (Ø X Thickness)	



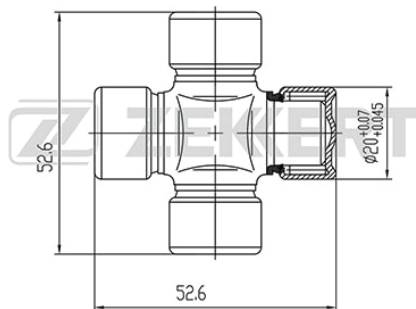
KG-1043			
Fitted Ø, mm	16,00	Length 1, mm	39,00
Length 2, mm		Snap Ring, (Ø X Thickness)	



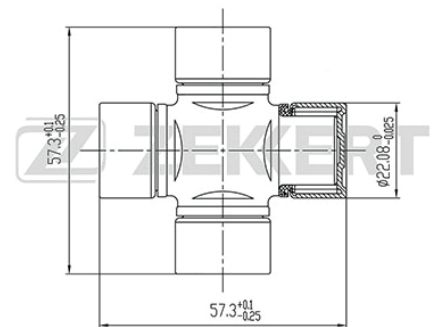
KG-1032			
Fitted Ø, mm	16,00	Length 1, mm	40,00
Length 2, mm		Snap Ring, (Ø X Thickness)	



KG-1041			
Fitted Ø, mm	19,05	Length 1, mm	48,00
Length 2, mm		Snap Ring, (Ø X Thickness)	

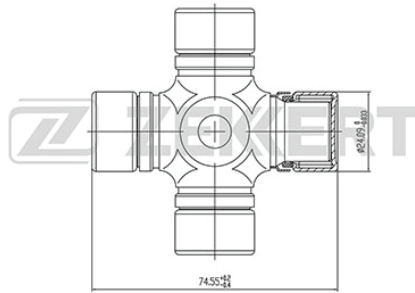
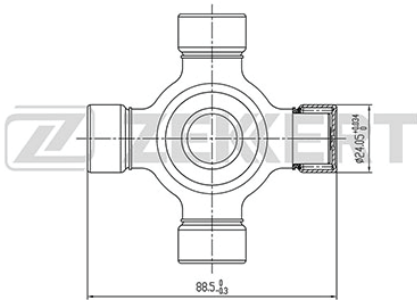


KG-1008			
Fitted Ø, mm	20,00	Length 1, mm	52,60
Length 2, mm		Snap Ring, (Ø X Thickness)	



KG-1003			
Fitted Ø, mm	22,08	Length 1, mm	57,30
Length 2, mm		Snap Ring, (Ø X Thickness)	

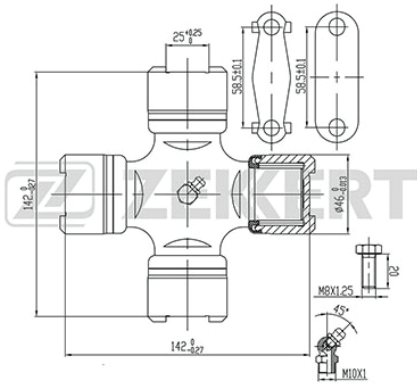
Type C. Universal joint with pressed bearing cup



KG-1059			
Fitted Ø, mm	24,05	Length 1, mm	88,50
Length 2, mm		Snap Ring, (Ø X Thickness)	

KG-1084			
Fitted Ø, mm	24,09	Length 1, mm	74,55
Length 2, mm		Snap Ring, (Ø X Thickness)	

Type D. Universal joint with 4 thurst plate bearings



KG-1111			
Fitted Ø, mm	46,00	Length 1, mm	142,00
Length 2, mm		Snap Ring. (Ø X Thickness)	

Cross list

GMB	ZEKERT
2200088	KG-1063
G5155X	KG-1076
GU1000	KG-1030
GU1100	KG-1021
GU1210	KG-1066
GU1670	KG-1005
GU2000	KG-1027
GU2200	KG-1051
GU500	KG-1088
GU7280	KG-1105
GU72804	KG-1084
GU7420	KG-1072
GU7430	KG-1109
GU7800	KG-1083
GUA3	KG-1020
GUA4	KG-1127
GUA7	KG-1126
GUD85	KG-1108
GUD88	KG-1096
GUF2771	KG-1037
GUIS66	KG-1117
GUK12	KG-1018
GUK13	KG-1029
GUK14	KG-1014
GUM73	KG-1040
GUM79	KG-1077
GUM80	KG-1111
GUM81	KG-1009
GUM81L	KG-1009
GUM88	KG-1095
GUM91	KG-1063
GUM93	KG-1047
GUMZ15	KG-1022
GUMZ16	KG-1035
GUMZ1L	KG-1079
GUMZ3	KG-1073
GUMZ9	KG-1044
GUN27	KG-1078
GUN29	KG-1011

GUN30	KG-1125
GUN35	KG-1086
GUN45	KG-1008
GUN46	KG-1065
GUN50	KG-1004
GUN52	KG-1007
GUS1	KG-1121
GUS7	KG-1028
GUS9	KG-1081
GUT11	KG-1103
GUT12	KG-1074
GUT14	KG-1113
GUT20	KG-1069
GUT23	KG-1002
GUT23E	KG-1002
GUT24	KG-1003
GUT29	KG-1053
KIAMZ9N	KG-1044
ST1538	KG-1015
ST1539	KG-1010
ST1540	KG-1038
ST1638	KG-1057
ST1639	KG-1043
ST1640	KG-1032
ST1948	KG-1041
LÖEBRO	ZEKERT
U050	KG-1088
U059	KG-1059
U080	KG-1066
U100	KG-1030
U100	KG-1040
U100/L	KG-1030
U110	KG-1021
U122	KG-1038
U125	KG-1010
U167	KG-1005
U180	KG-1103
U182	KG-1078
U183	KG-1009
U183	KG-1028

U183	KG-1077
U186	KG-1011
U187	KG-1002
U190	KG-1113
U193	KG-1074
U200	KG-1027
U216	KG-1037
U220	KG-1051
U231	KG-1065
U528	KG-1018
U728	KG-1105
U728/4	KG-1084
U742	KG-1072
U907	KG-1126
U926	KG-1047
U941	KG-1063
U941	KG-1095
U960	KG-1044
U962	KG-1069
U966	KG-1121
U988	KG-1008
TOYO	ZEKERT
ST1538	KG-1015
ST1539	KG-1010
ST1540	KG-1038
ST1638	KG-1057
ST1639	KG-1043
ST1640	KG-1032
ST1948	KG-1041
TD188	KG-1096
TIS166	KG-1117
TK2780	KG-1018
TM173	KG-1040
TM179	KG-1009
TM179	KG-1077
TM180	KG-1111
TM181	KG-1009
TM181	KG-1077
TM188	KG-1063
TM188	KG-1095

Cross list

TM191	KG-1063
TM191	KG-1095
TM193	KG-1047
TMZ103	KG-1073
TMZ109	KG-1044
TN127	KG-1078
TN129	KG-1011
TN130	KG-1125
TN135	KG-1086
TN145	KG-1008
TN146	KG-1065
TS107	KG-1028
TT111	KG-1103
TT112	KG-1074
TT114	KG-1113
TT120	KG-1069
TT123	KG-1002
TT124	KG-1003
TT129	KG-1053
TU51	KG-1088